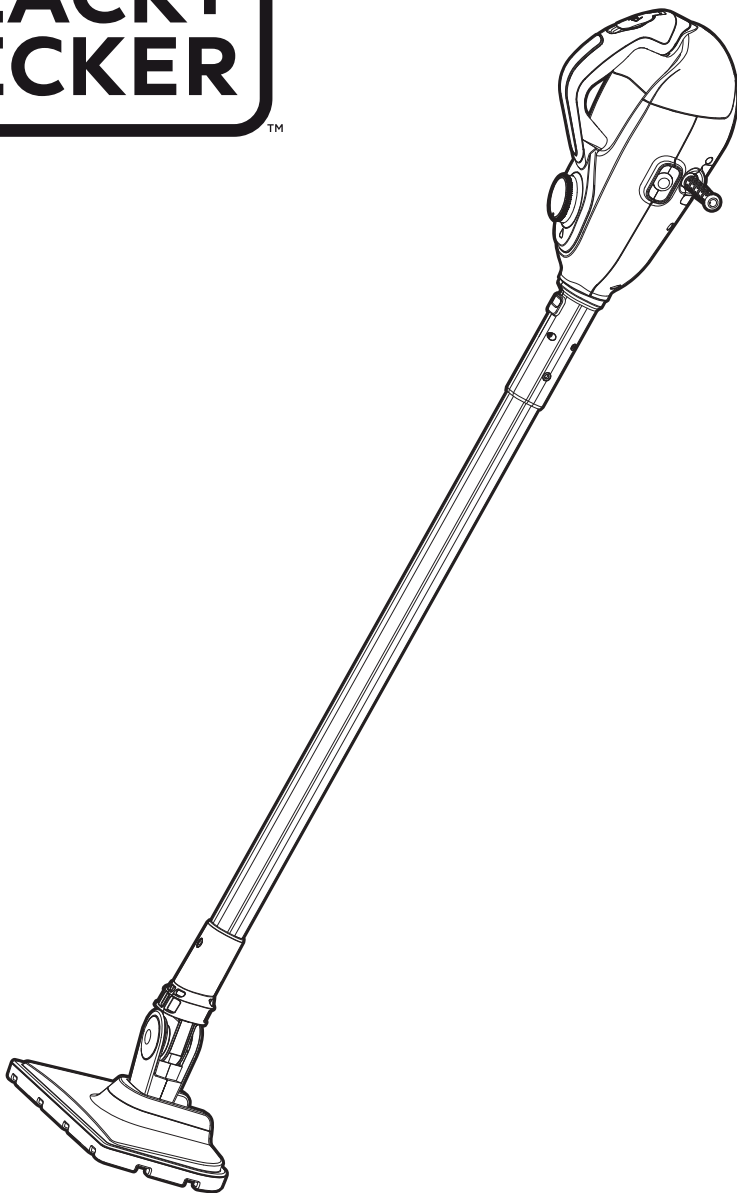
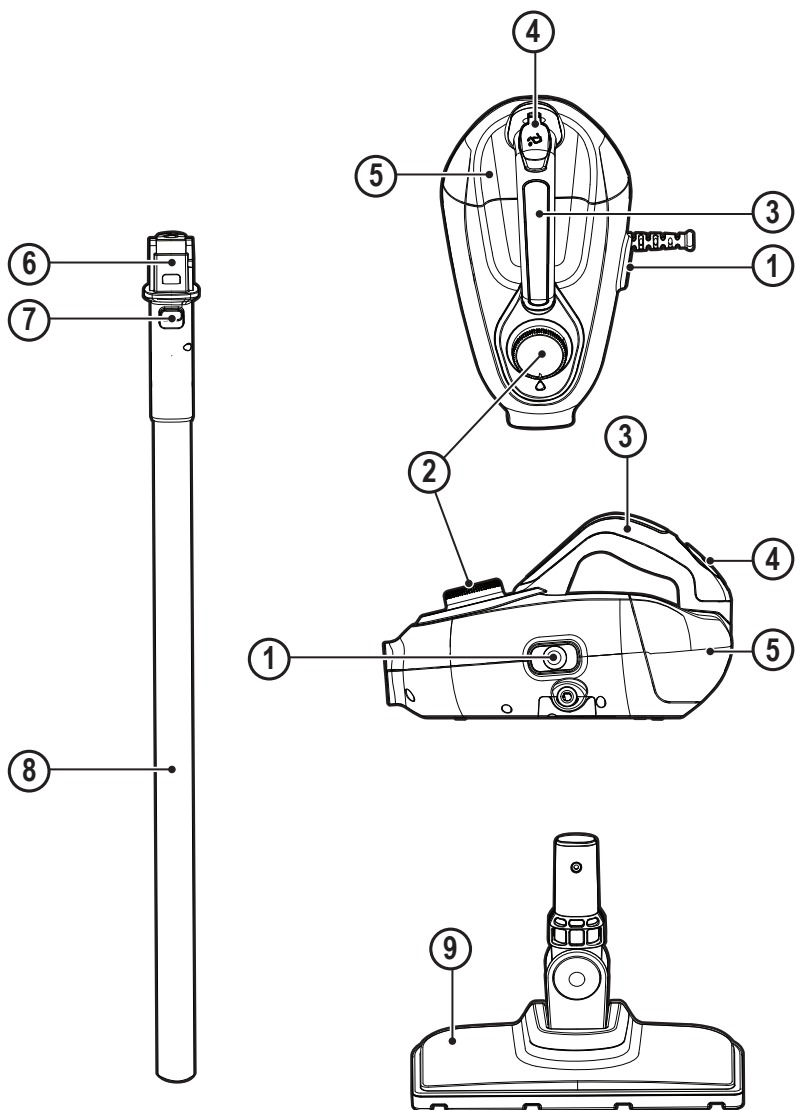


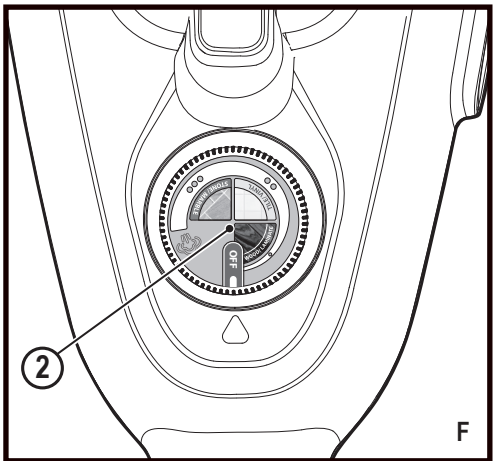
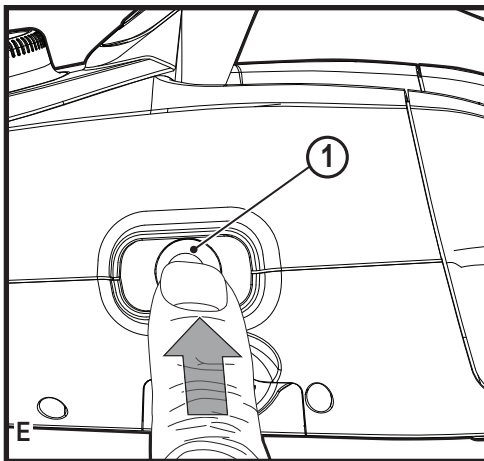
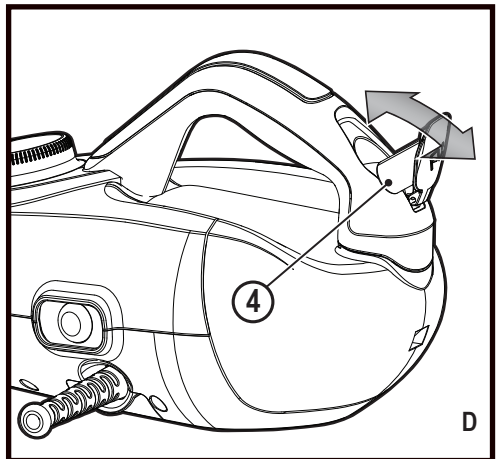
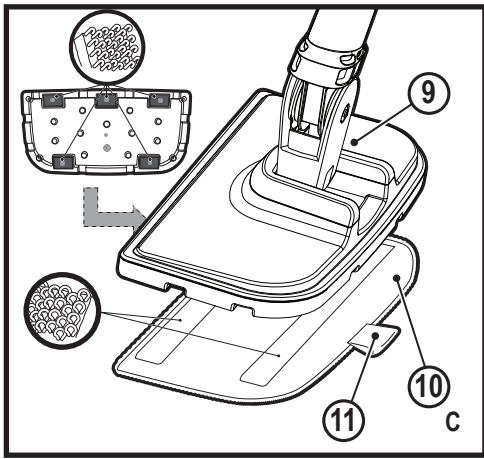
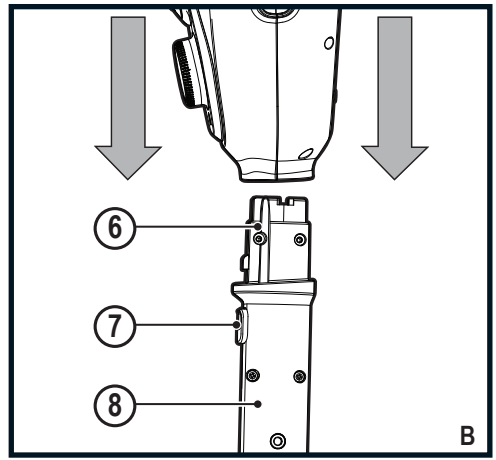
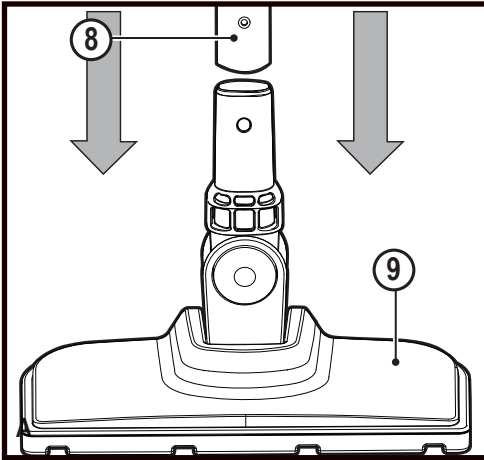
BLACK+
DECKER

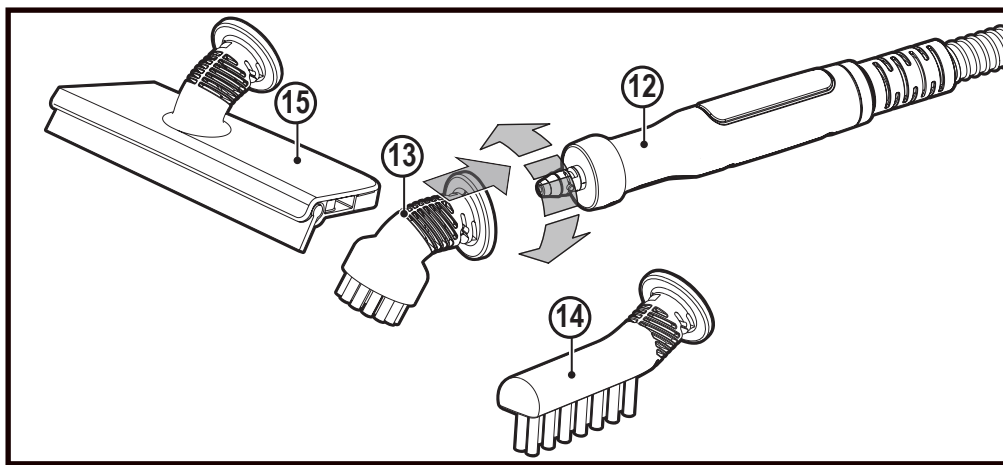
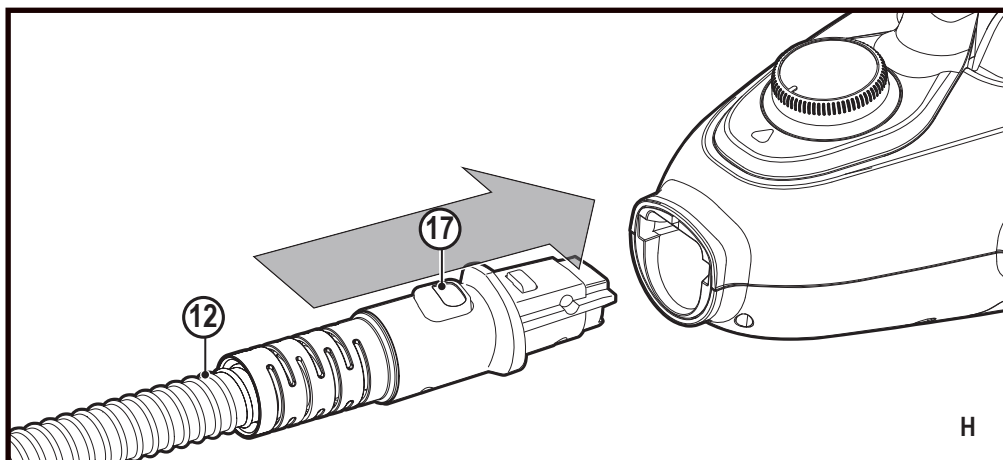
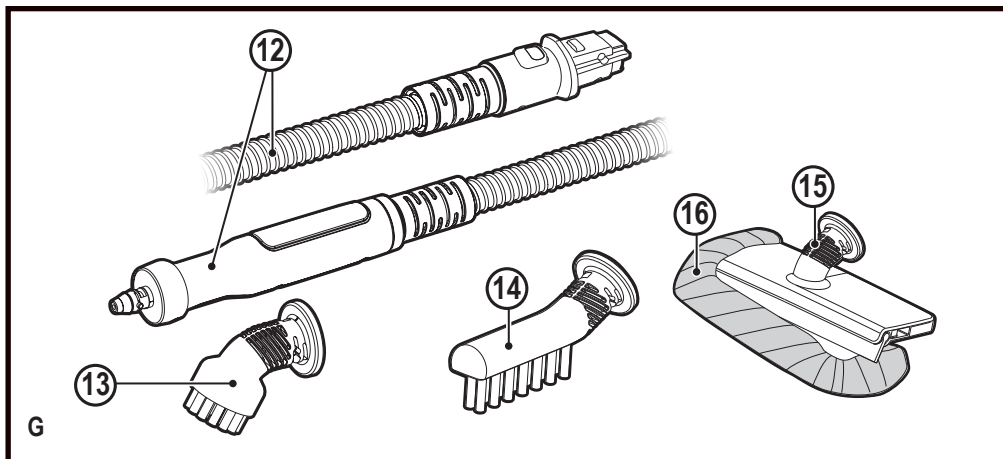


www.blackanddecker.co.uk

FSMH1300FX







Intended use

Your BLACK+DECKER™ FSMH1300FX steam mop has been designed for sanitising and cleaning sealed hardwood, sealed laminate, linoleum, vinyl, ceramic tile, stone and marble floors. This appliance is intended for indoor household use only.

Safety Instructions



Warning! Read all Safety, Maintenance, Service' manual carefully before operating this appliance. Read all of this manual carefully before operating this appliance.

Labels on appliance

The following pictograms along with the date code are shown on the appliance.



CAUTION Hot Steam



Do not leave unsupervised with young children



Hand wash only

Features

This appliance includes some or all of the following features.

1. On/off switch
2. Autoselect™ dial
3. Hand held steam unit handle
4. Filler cap
5. Water tank
6. Interface
7. Floor extension release button
8. Floor extension
9. Floor cleaning head
10. Cleaning pad
11. Cleaning pad removal tab
12. Accessory attachment hose
13. Angle brush accessory (for use on hard to remove stains)
14. Brush accessory (for use on tiles / grout)
15. Squeegee accessory (for use on shower screens / glass / mirrors / clothing / upholstery)
16. Squeegee sock

Assembly



Warning! Before attempting any of the following instructions, make sure that the appliance is switched off and unplugged and the appliance is cold and does not contain any water.

Attaching the floor extension to the floor cleaning head (Fig. A)

- ◆ Push the floor extension (8) firmly into the floor cleaning head (9) making sure it clicks securely into place.

Attaching the hand held hand held steam unit to the floor extension (Fig. B)

- ◆ Push the hand held hand held steam unit firmly onto the floor extension (8) making sure it sits correctly over the interface (6) and clicks securely into place.

Warning! Inspect the seal between the connection point on the hand held steam cleaner and the floor extension (8) before each use. If the seal malfunctions or is damaged, please contact your nearest authorised repair agent. Do not use the appliance.

Removing the hand held steam unit

- ◆ Push the release button (7) on the floor extension (8) and lift the hand held steam unit off the interface (6).

Attaching a cleaning pad (Fig. C)

Replacement cleaning pads are available from your BLACK+DECKER dealer :- (cat no. FSMP20-XJ).

- ◆ Place a cleaning pad (10) on the floor with the velcro 'loop' side facing up.
- ◆ Lightly press the steam mop down onto the cleaning pad (10).

Caution! Never leave the steam mop in one spot on any surface for any period of time. Always place the steam mop supported in the upright position when stationary and make sure the steam mop is turned off when not in use.

Removing a cleaning pad

Caution! Always wear suitable shoes when changing the cleaning pad on your steam mop.

Do not wear slippers or open toed footwear.

- ◆ Return the steam mop to the upright position and turn the steam mop 'OFF'.
- ◆ Wait until the steam mop cools down (approximately 5 minutes).
- ◆ Lift the steam mop away from the cleaning pad freeing it from the velcro fastening by putting weight on the cleaning pad removal tab (11).

Caution! Never leave the steam mop in one spot on any surface for any period of time.

Always place the steam mop supported in the upright position when stationary and make sure the steam mop is turned off when not in use.

Filling the water tank (Fig. D)

Note! Fill the water tank with clean tap water (Do not use any additives or chemicals).

Note! In areas of hard water, the use of de-ionised water is recommended.

- ◆ Open the filler cap (4) by flipping it up.
- ◆ Fill the water tank with water (Do not use any additives or chemicals).

Warning! When filling, maintain in a horizontal position.

Warning! Your water tank has a 0.5 litre capacity. Do not over fill the tank.

- ◆ Close the filler cap (4).

Note! Ensure the filler cap is firmly secured.

Use

Important! This unit will kill 99.9% of bacteria and germs when used in accordance with the instructions in this manual and with the micro fibre pads fitted and a continuous run time of 90 seconds.

Switching on and off (Fig. F)

- ◆ To switch the appliance on, press the ON/Off switch (1). It takes approximately 15 seconds for the steam mop to heat up.
- ◆ To switch the appliance off, press the ON/Off switch (1).

Caution! Never leave the steam mop in one spot on any surface for any period of time.

Always place the steam mop supported in the upright position when stationary and make sure the steam mop is turned off when not in use.




Caution! Always empty the steam mop after use.

Note! When first filled or after running dry, it can take up to 45 seconds for steam to be produced.

Autoselect™ Technology (Fig. E)

This steam mop is fitted with an Autoselect™ dial (2) which shows various cleaning applications. They are used to select the correct operating mode for your particular cleaning operation.

Using Autoselect™, choose from one of the following applications by turning the Autoselect™ dial (2) until the required setting is selected.

| Setting | Mop | Hand held |
|--|-------------------|--|
|  | Wood/ Laminate | High temperature steam for windows ● |
|  | Stone/Marble | ● ● |
|  | Tiles/Vinyl | Low temperature steam for heavy grime ● ● ● |

The steam mop will select the correct volume of steam required for your particular cleaning operation.

Note: Always check you are using the correct setting before using your steam mop.

Attaching the hose and accessories to the hand held steam cleaner

Warning! Inspect the seal between the connection point on the hand held steam cleaner and the steam hose (12) before each use. If the seal malfunctions or is damaged, please contact your nearest authorised repair agent. Do not use the appliance.

Attaching the hose (Fig. H)

- ◆ Press the steam hose release button (17) on the steam hose (12).
- ◆ Connect the steam hose (12) to the hand held steam cleaner and release the steam hose release button (17) making sure it clicks into place.

Important! Ensure that the steam hose (12) is securely connected to the hand held steam cleaner. If steam escapes from the joint, the hose is incorrectly fitted. Switch off, allow the unit to cool then remove and refit the hose.

Attaching accessories (Fig I)

- ◆ Align the lugs on the steam nozzle (12) with the recesses on the accessory.
- ◆ Press the accessory onto the steam nozzle and twist anti-clockwise until the accessory clicks into place.

Important! All accessories must be attached to the steam hose (12) for use.

Removing the hose and accessories

Warning! The steam hose (12), Steam nozzle and accessories become hot during use. Allow the unit and all accessories to cool before attempting to remove.

Removing an accessory

- ◆ Twist the accessory clockwise then pull away from the hose (12).

Removing the hose

- ◆ Press the steam hose release button (17) on the steam hose (12) and pull away from the hand held steam unit.

Hints for optimum use

General

Caution: Never use the steam mop without first attaching a cleaning pad.

- ◆ Always vacuum or sweep the floor before using the steam mop.
- ◆ The easiest way to use the appliance is to tilt the unit to a 45° angle and clean slowly, covering a small area at a time.

- ◆ Use water only with no additives or chemicals with your steam mop. To remove stubborn stains from vinyl or linoleum floors, you can pre-treat with a mild detergent and some water before using the steam mop.

Steam Cleaning with the mop

- ◆ Fit hand steam cleaner to the floor extension (8)
- ◆ Place a cleaning pad (10) on the floor with the velcro 'loop' side facing up.
- ◆ Lightly press the steam mop down onto the cleaning pad (10).
- ◆ Connect the steam mop to the mains.
- ◆ Press the ON/OFF button (1). It takes approximately 15 seconds for the steam mop to heat up.
- ◆ Turn the Autoselect™ dial (2) until the required setting is reached. After a few seconds steam will start to come out of the steam head.

Note! When first filled or after running dry, it can take up to 45 seconds for steam to be produced.

- ◆ It takes a few seconds for steam to enter the cleaning pad. The steam mop will now glide easily over the surface to be sanitized/cleaned.
- ◆ Push and pull the steam mop slowly across the surface to thoroughly steam clean each section.
- ◆ When you have finished using the steam mop, return the handle (8) to the upright position, making sure that it is supported and turn it 'OFF'. Wait until the steam mop cools down (approximately five minutes).

Caution! It is important to monitor the water level in the water tank. To refill the water tank and continue to sanitize/clean stand the mop upright making sure that it is supported and turn the steam mop 'OFF'. Unplug the unit from the electrical wall outlet, and refill the water tank.

Caution! Never leave the steam mop in one spot on any surface for any period of time. Always place the steam mop supported in the upright position when stationary and make sure the steam mop is turned off when not in use.

After use

- ◆ Turn the Autoselect™ dial (2) to the OFF position.
- ◆ Wait until the steam mop cools down.
- ◆ Unplug the steam mop from the electrical wall outlet.
- ◆ Empty the water tank.
- ◆ remove the cleaning pad (10) and wash it ready for next use (take care to follow the wash care instructions printed on the cleaning pad).

Accessories

The performance of your appliance depends on the accessory used. BLACK+DECKER accessories are engineered to high quality standards and designed to enhance the performance of your appliance. By using these accessories you will get the very best from your equipment.

Hand held steam cleaning

Warning! Only use in a horizontal position.

- ◆ Attach the required accessory.
- ◆ Connect the hand held steam cleaner to the mains.
- ◆ Press the ON/OFF button (1). It takes approximately 15 seconds for the steam mop to heat up.
- ◆ Turn the Autoselect™ dial (2) until the required setting is reached. After a few seconds steam will start to come out of the steam head.

Note! When first filled or after running dry, it can take up to 45 seconds for steam to be produced.

- ◆ When you have finished using the hand held steam cleaner turn the Autoselect™ dial (2) to the OFF position. Turn the unit OFF by pressing the ON/OFF button (1) and disconnect from the mains supply. Wait until the unit cools down before storing (approximately five minutes).

Technical Data

| FSMH1300FX | | |
|---------------|-----------------|------|
| Voltage | V _{ac} | 230 |
| Power | W | 1300 |
| Tank Capacity | ml | 500 |
| Weight | kg | 2.4 |

Troubleshooting

If your appliance seems not to operate properly, follow the instructions below. If this does not solve the problem, please contact your local BLACK+DECKER repair agent.

| Problem | Step | Possible solution |
|--|------|--|
| The steam mop is not turning on | 1. | Check the unit is plugged in at the wall socket. |
| | 2. | Check the unit is switched on using the ON/OFF switch (1) |
| | 3. | Check the fuse in the plug. |
| The steam mop is not producing steam | 4. | The steam mop will only produce steam if the hand held steam cleaner (5) is correctly docked into the main body (11) or the steam hose is fitted or the Autoselect™ is turned ON |
| | 5. | Check that the water tank is full. Note: When first filled or after running dry it can take up to 45 seconds for steam to be produced. |
| | 6. | Check steps 1, then 2, then 3 |
| The steam mop stops producing steam during use | 7. | Check steps 4, then 5, then 3 |
| The steam mop is producing too much steam during use | 8. | Turn the Autoselect™ dial (2) anti-clockwise to reduce the amount of steam being produced |
| The steam mop is producing too little steam during use | 9. | Turn the Autoselect™ dial (2) clockwise to increase the amount of steam being produced |
| Where can I get further information/ accessories | 10. | www.blackanddecker.co.uk/steam mop www.blackanddecker.ie/steam mop |

| | | | |
|---|--|-------------|----------------------------------|
| Australia | Black & Decker (Australia) Pty. Ltd. 20 Fletcher Road, Mooroolbark, Victoria, 3138 | Tel. Fax | 03-8720 5100 03-9727 5940 |
| New Zealand | Black & Decker 5 Te Apunga Place Mt Wellington Auckland 1060 | Tel. Fax | +64 9 259 1133 +64 9 259 1122 |
| United Kingdom & Republic Of Ireland www.blackanddecker.co.uk emeaservice@sbdinc.com | Black & Decker 210 Bath Road Slough, Berkshire SL1 3YD | Tel. Fax | 01753 511234 01753 512365 |
