



EDUS391100-F6

R-410A

Engineering Data

FXAQ-PVJU **Wall Mounted Type**



DAIKIN AC (AMERICAS), INC.

FXAQ-PVJU

Wall Mounted Type

1. Specifications	2
2. Dimensions.....	4
3. Piping Diagrams	7
4. Wiring Diagrams.....	8
5. Electric Characteristics.....	9
6. Safety Devices Setting	9
7. Capacity Tables.....	10
7.1 Cooling Capacity	10
7.2 Heating Capacity	11
8. Air Velocity and Temperature Distributions (Reference Data)	12
9. Sound Levels (Reference).....	17
9.1 Overall	17
9.2 Octave Band Level	17
10. Installation	19
10.1 Accessories	22
10.2 Indoor Unit Installation.....	25
10.3 Drain Piping Work.....	31
10.4 Electrical Wiring Work	32
10.5 Field Settings.....	39
11. Test Run.....	40
12. Accessories.....	41
12.1 Optional Accessories (For Controls).....	41

1. Specifications

Wall Mounted Type

Model			FXAQ07PVJU	FXAQ09PVJU	FXAQ12PVJU
Power Supply			1 phase, 208/230V, 60Hz		
★1, ★3 Cooling Capacity	Btu/h		7,500	9,500	12,000
★2, ★3 Heating Capacity	Btu/h		8,500	10,500	13,500
Casing Color			White (3.0Y8.5/0.5)	White (3.0Y8.5/0.5)	White (3.0Y8.5/0.5)
Dimensions: (HxWxD)		in (mm)	11-3/8 x 31-1/4 x 9-1/4 (289 x 794 x 235)	11-3/8 x 31-1/4 x 9-1/4 (289 x 794 x 235)	11-3/8 x 31-1/4 x 9-1/4 (289 x 794 x 235)
Coil (Cross Fin Coil)	Rows×Stages×FPI		2×14×17	2×14×17	2×14×17
	Face Area	ft ² (m ²)	1.73	1.73	1.73
Fan	Model		QCL9661M	QCL9661M	QCL9661M
	Type		Cross Flow Fan	Cross Flow Fan	Cross Flow Fan
	Motor Output	W	40	40	40
	Air Flow Rate (H/L)	cfm (m ³ /min)	260/160 (79/49)	280/175 (85/53)	290/180 (88/55)
	Drive		Direct Drive	Direct Drive	Direct Drive
Temperature Control			Microprocessor Thermostat for Cooling and Heating	Microprocessor Thermostat for Cooling and Heating	Microprocessor Thermostat for Cooling and Heating
Sound Absorbing Thermal Insulation Material			Foamed Polystyrene / Foamed Polyethylene	Foamed Polystyrene / Foamed Polyethylene	Foamed Polystyrene / Foamed Polyethylene
Air Filter			Resin Net (Washable)	Resin Net (Washable)	Resin Net (Washable)
Machine Weight (Mass)		Lbs (kg)	26 (12)	26 (12)	26 (12)
Piping Connections	Liquid Pipes	in (mm)	φ1/4 (6.4) (Flare Connection)	φ1/4 (6.4) (Flare Connection)	φ1/4 (6.4) (Flare Connection)
	Gas Pipes	in (mm)	φ1/2 (12.7) (Flare Connection)	φ1/2 (12.7) (Flare Connection)	φ1/2 (12.7) (Flare Connection)
	Drain Pipe	in (mm)	VP13 (External Dia. 11/16 (17.5) Internal Dia. 1/2 (12.7))	VP13 (External Dia. 11/16 (17.5) Internal Dia. 1/2 (12.7))	VP13 (External Dia. 11/16 (17.5) Internal Dia. 1/2 (12.7))
★4 Sound Level (H/L)	dB(A)		36/31	37/31	38/31
Safety Devices			Fuse	Fuse	Fuse
Refrigerant Control			Electronic Expansion Valve	Electronic Expansion Valve	Electronic Expansion Valve
Connectable outdoor unit			R-410A VRV Series	R-410A VRV Series	R-410A VRV Series
Standard Accessories			Operation Manual, Installation Manual, Installation Panel, Paper Pattern for Installation, Insulation Tape, Insulation Tube, Clamps, Screws.	Operation Manual, Installation Manual, Installation Panel, Paper Pattern for Installation, Insulation Tape, Insulation Tube, Clamps, Screws.	Operation Manual, Installation Manual, Installation Panel, Paper Pattern for Installation, Insulation Tape, Insulation Tube, Clamps, Screws.
Drawing No.			C: 3D075572A		

Notes:

- ★ 1 Nominal cooling capacities are based on the following conditions:
Return air temperature: 80°FDB, 67°FWB (27°CDB /19.4°CWB)
Outdoor temperature: 95°FDB (35°CDB)
Equivalent ref. piping length: 25ft (7.5 m) (Horizontal)
- ★ 2 Nominal heating capacities are based on the following conditions:
Return air temperature: 70°FDB (21°CDB).
Outdoor temperature: 47°FDB, 43°FWB (8.3°CDB / 6°CWB)
Equivalent ref. piping length: 25ft (7.5 m) (Horizontal)
- ★ 3 Capacities are net, including a deduction for cooling (an addition for heating) for indoor fan motor heat.
- ★ 4 Sound levels are measured under JIS conditions.
- 5 Refer to page 9 for Power Input.

Wall Mounted Type

Model			FXAQ18PVJU	FXAQ24PVJU
Power Supply			1 phase, 208/230V, 60Hz	
★1, ★3 Cooling Capacity	Btu/h		18,000	24,000
★2, ★3 Heating Capacity	Btu/h		20,000	26,500
Casing Color			White (3.0Y8.5/0.5)	White (3.0Y8.5/0.5)
Dimensions: (HxWxD)		in (mm)	11-3/8 x 41-3/8 x 9-1/4 (289 x 1051 x 235)	11-3/8 x 41-3/8 x 9-1/4 (289 x 1051 x 235)
Coil (Cross Fin Coil)	RowsxStagesxFPI		2x14x17	2x14x17
	Face Area		2.29 (0.7)	2.29 (0.7)
Fan	Model		QCL9686M	QCL9686M
	Type		Cross Flow Fan	Cross Flow Fan
	Motor Output		W	43
	Air Flow Rate (H/L)	cfm (m ³ /min)	500/400 (152/122)	635/470 (194/143)
	Drive		Direct Drive	Direct Drive
Temperature Control			Microprocessor Thermostat for Cooling and Heating	Microprocessor Thermostat for Cooling and Heating
Sound Absorbing Thermal Insulation Material			Foamed Polystyrene / Foamed Polyethylene	Foamed Polystyrene / Foamed Polyethylene
Air Filter			Resin Net (Washable)	Resin Net (Washable)
Machine Weight (Mass)		Lbs (kg)	31 (14)	31 (14)
Piping Connections	Liquid Pipes	in (mm)	ϕ1/4 (6.4) (Flare Connection)	ϕ3/8 (9.5) (Flare Connection)
	Gas Pipes	in (mm)	ϕ1/2 (12.7) (Flare Connection)	ϕ5/8 (15.8) (Flare Connection)
	Drain Pipe	in (mm)	VP13 (External Dia. 11/16 (17.5) Internal Dia. 1/2 (12.7))	VP13 (External Dia. 11/16 (17.5) Internal Dia. 1/2 (12.7))
★4 Sound Level (H/L)		dB(A)	43/37	47/41
Safety Devices			Fuse	Fuse
Refrigerant Control			Electronic Expansion Valve	Electronic Expansion Valve
Connectable outdoor unit			R-410A VRV Series	R-410A VRV Series
Standard Accessories			Operation Manual, Installation Manual, Installation Panel, Paper Pattern for Installation, Insulation tape, Insulation Tube, Clamps, Screws.	Operation Manual, Installation Manual, Installation Panel, Paper Pattern for Installation, Insulation tape, Insulation Tube, Clamps, Screws.
Drawing No.			C: 3D075572A	

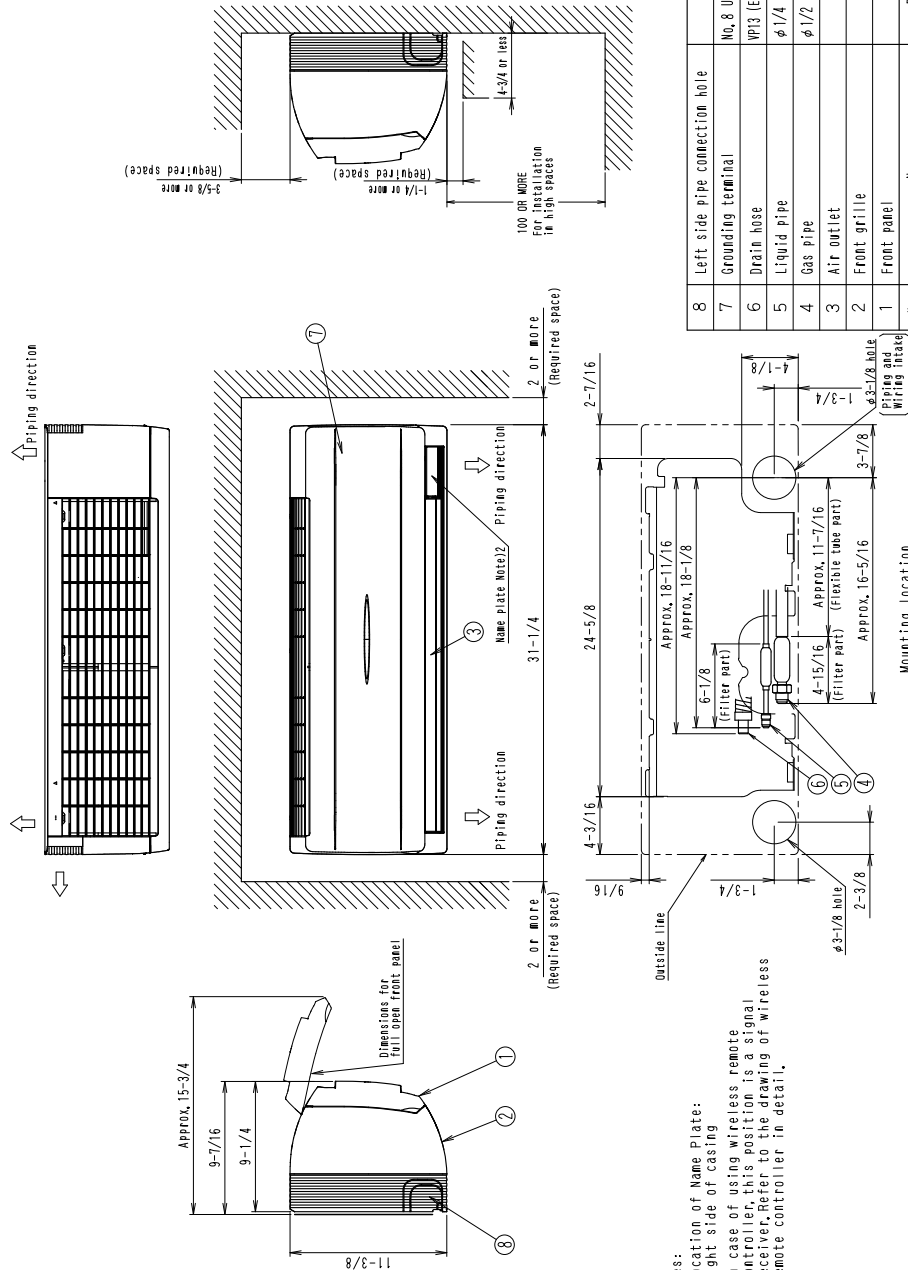
Notes:

- ★ 1 Nominal cooling capacities are based on the following conditions:
Return air temperature: 80°FDB, 67°FWB (27°CDB /19.4°CWB)
Outdoor temperature: 95°FDB (35°CDB)
Equivalent ref. piping length: 25ft (7.5 m) (Horizontal)
- ★ 2 Nominal heating capacities are based on the following conditions:
Return air temperature: 70°FDB (21°CDB).
Outdoor temperature: 47°FDB, 43°FWB (8.3°CDB / 6°CWB)
Equivalent ref. piping length: 25ft (7.5 m) (Horizontal)
- ★ 3 Capacities are net, including a deduction for cooling (an addition for heating) for indoor fan motor heat.
- ★ 4 Sound levels are measured under JIS conditions.
- 5 Refer to page 9 for Power Input.

2. Dimensions

FXAQ07PVJU/FXAQ09PVJU/FXAQ12PVJU

Unit (in.)



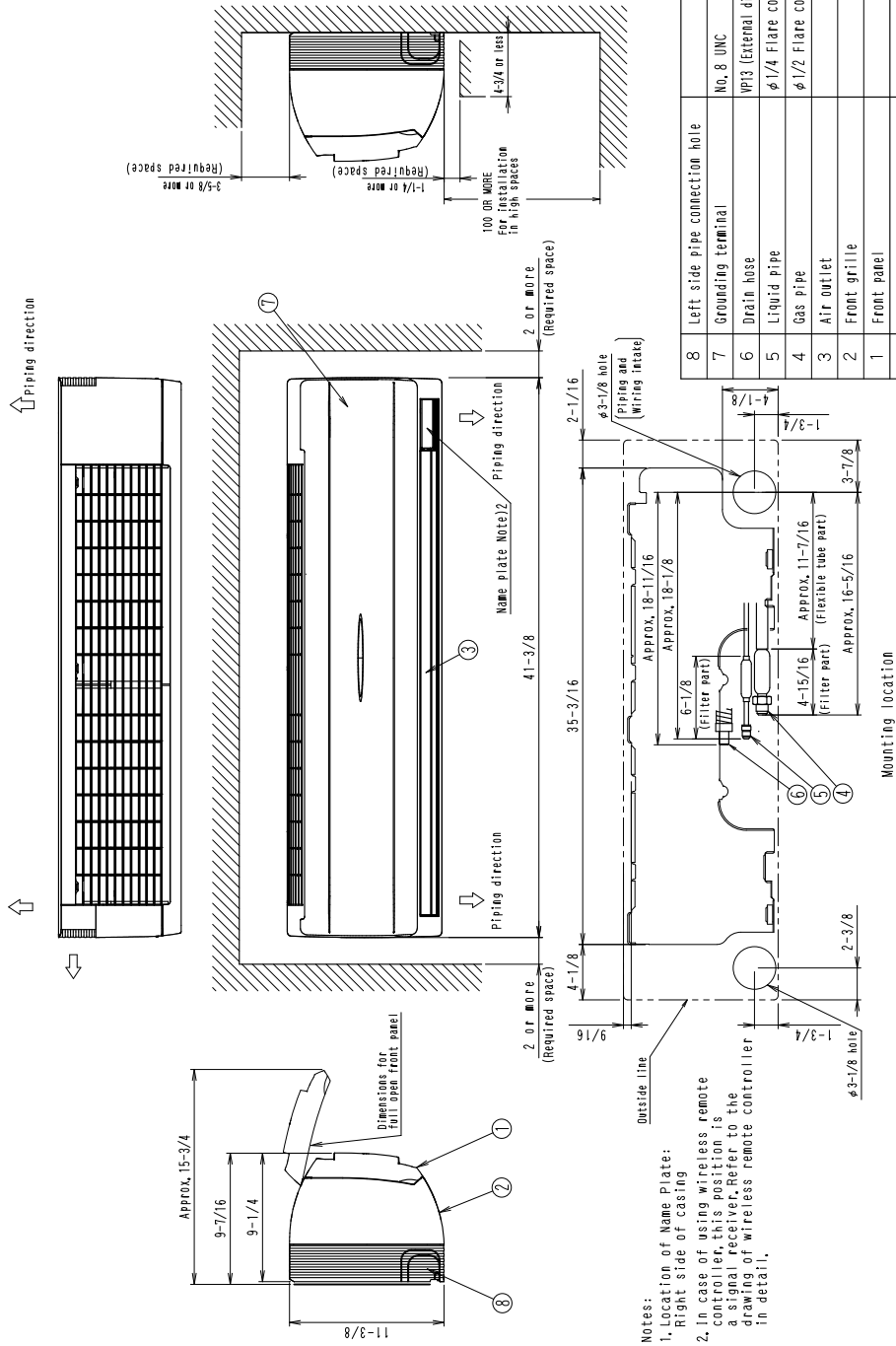
Notes:
 1. Location of Name Plate:
 Right side of casing
 2. In case of using wireless remote controller, this position is a signal receiver. Refer to the drawing of wireless remote controller in detail.

No.	Name	Description
1	Front grille	Front grille
2	AIR Oulet	AIR Oulet
3	Gas Pipe	φ 1/2 Flare connection
4	Liquid pipe	φ 1/4 Flare connection
5	Drain hose	WPI3 External dia. φ 11/16
6	Grounding terminal	No. 8 UNC
7	Left side pipe connection hole	
8		

3D075988A

FXAQ18PVJU

Unit (in.)



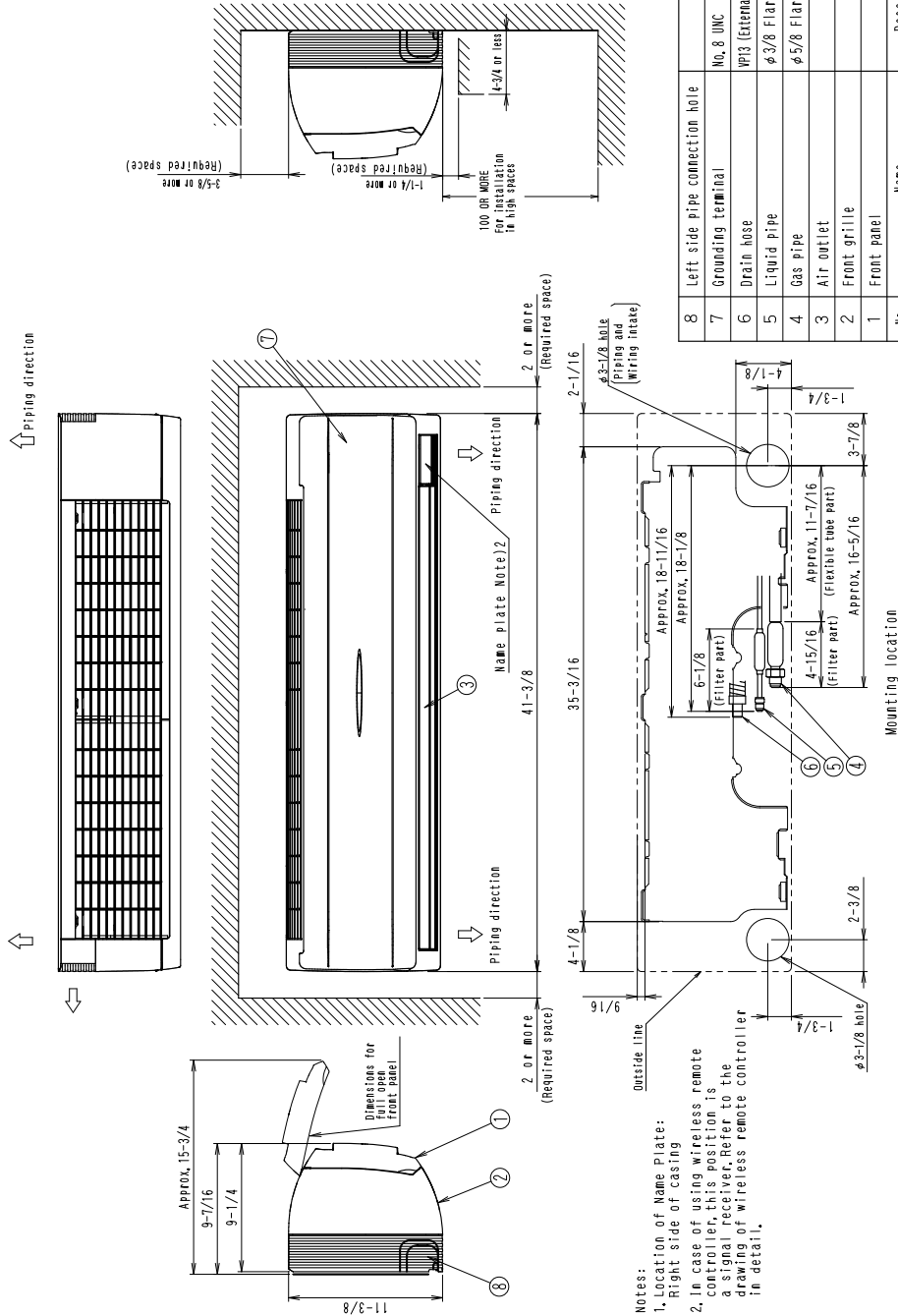
Notes:
 1. Location of Name Plate:
 2. Right side of casing
 3. In case of using wireless remote controller, this position is a signal receiver, refer to the drawing of wireless remote controller in detail.

No.	Name	Description
8	Left side pipe connection hole	No. 8 UNC
7	Grounding terminal	WP3 External dia. ϕ 11/16
6	Drain hose	ϕ 1/4 Flare connection
5	Liquid pipe	ϕ 1/2 Flare connection
4	Gas pipe	
3	Air outlet	
2	Front grille	
1	Front panel	

3D075389A

FXAQ24PVJU

Unit (in.)

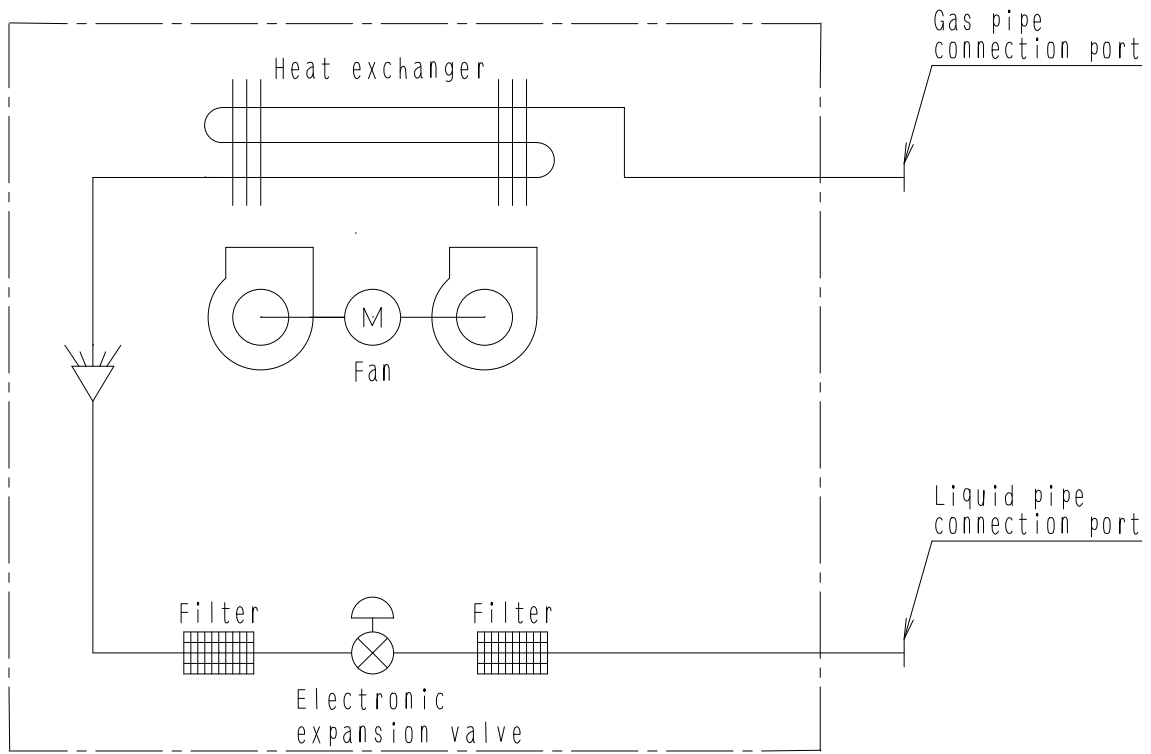


Notes:
 1. Location of Name Plate:
 Right side of casing
 2. In case of using wireless remote controller, this position is a signal receiver. Refer to the drawing of wireless remote controller in detail.

No.	Name	Description
8	Left side pipe connection hole	No. 8 UNC
7	Grounding terminal	No. 8 UNC
6	Drain hose	IPS (External dia. ϕ 11/16)
5	Liquid Pipe	ϕ 3/8 Flare connection
4	Gas Pipe	ϕ 5/8 Flare connection
3	Air outlet	
2	Front grille	
1	Front panel	

3D075390A

3. Piping Diagrams

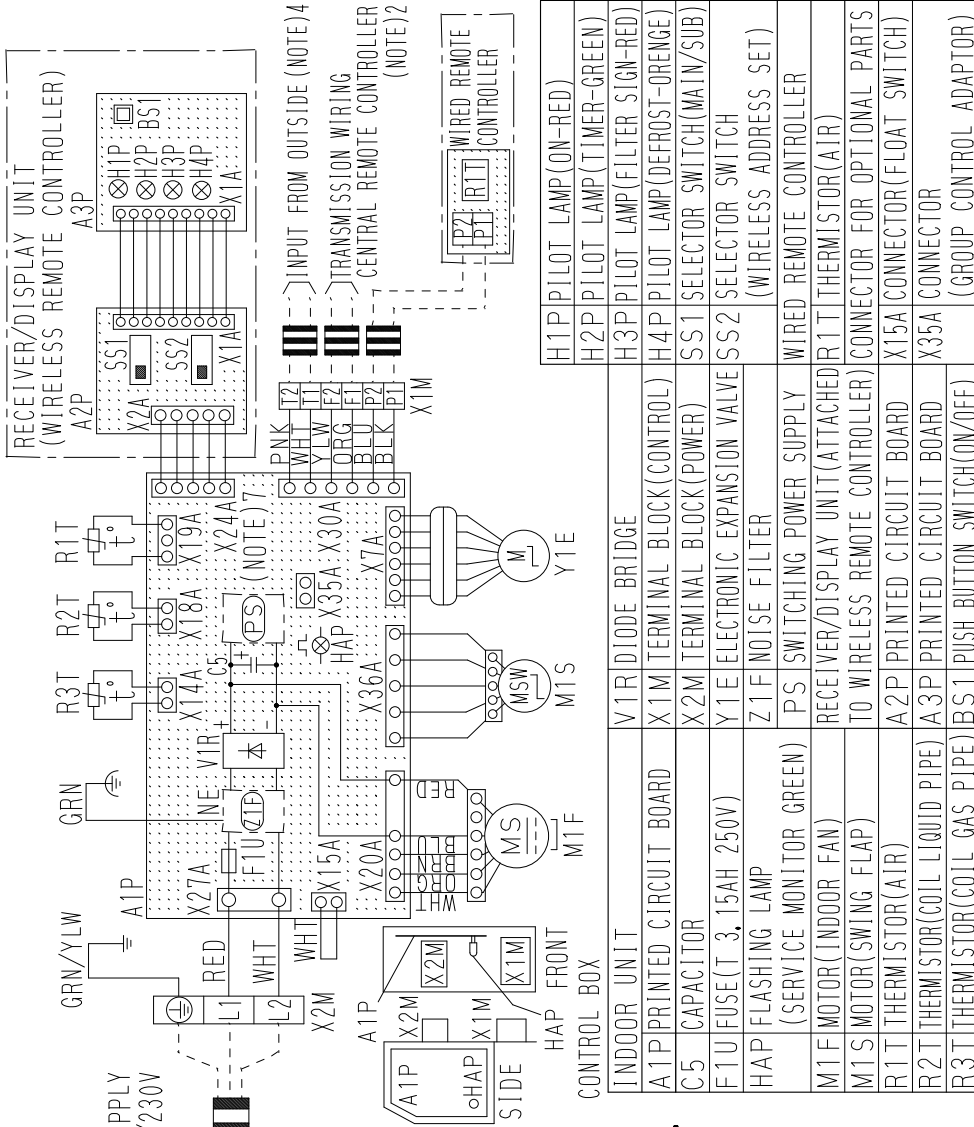


C: 4D034245F

Model	Gas	Liquid
FXAQ07PVJU/FXAQ09PVJU/ FXAQ12PVJU/FXAQ18PVJU	φ1/2	φ1/4
FXAQ24PVJU	φ5/8	φ3/8

4. Wiring Diagrams

FXAQ07PVJU/FXAQ09PVJU/FXAQ12PVJU/FXAQ18PVJU/FXAQ24PVJU



- (NOTES)
1. [Symbol] : TERMINAL
 [Symbol] : FIELD WIRING
 [Symbol] : CONNECTOR
 [Symbol] : CONNECTOR
 [Symbol] : NOISELESS GROUND
 [Symbol] : PROTECTIVE GROUND (SCREW)
 [Symbol] : SHORT CIRCUIT CONNECTOR
 2. IN CASE USING CENTRAL REMOTE CONTROLLER, CONNECT IT TO THE UNIT IN ACCORDANCE WITH THE ATTACHED INSTALLATION MANUAL.
 3. SYMBOLS SHOWS AS FOLLOWS: RED:RED
 WHT:WHITE GRN:GREEN Pnk:PINK YLW:YELLOW
 BLK:BLACK ORG:ORANGE BRN:BROWN BLU:BLUE
 4. WHEN CONNECTING THE INPUT WIRES FROM OUTSIDE, FORCED OFF OR ON/OFF CONTROL OPERATION CAN BE SELECTED BY REMOTE CONTROLLER. IN DETAILS, REFER TO THE INSTALLATION MANUAL ATTACHED TO THE UNIT.
 5. REMOTE CONTROLLER MODEL VARIES ACCORDING TO THE COMBINATION SYSTEM, CONFIRM BEFORE CONNECTING.
 6. CONFIRM THE METHOD OF SETTING THE SELECTOR SWITCH(SS1, SS2) OF WIRELESS REMOTE CONTROLLER BY INSTALLATION MANUAL AND ENGINEERING DATA, ETC.
 7. X24A IS CONNECTED WHEN THE WIRELESS REMOTE CONTROLLER KIT IS USED.

H1P	PILOT LAMP(ON-RED)
H2P	PILOT LAMP(TIMER-GREEN)
H3P	PILOT LAMP(FILTER SIGN-RED)
H4P	PILOT LAMP(DEFROST-ORANGE)
SS1	SELECTOR SWITCH(MAIN/SUB)
SS2	SELECTOR SWITCH (WIRELESS ADDRESS SET)
	WIRED REMOTE CONTROLLER
	WIRED REMOTE CONTROLLER
	WIRED REMOTE CONTROLLER
R1T	THERMISTOR(AIR)
	CONNECTOR FOR OPTIONAL PARTS
X15A	CONNECTOR(FLOAT SWITCH)
X35A	CONNECTOR (GROUP CONTROL ADAPTOR)

3D075354

5. Electric Characteristics

Model	Power supply				IFM		Input(W)		
	Hz	Volts	Voltage range	MCA	MOP	kW	FLA	Cooling	Heating
FXAQ07PVJU	60	208V/230V	MAX. 253V Min. 187V	0.4	15	0.040	0.3	19	29
FXAQ09PVJU				0.4	15	0.040	0.3	28	34
FXAQ12PVJU				0.4	15	0.040	0.3	30	35
FXAQ18PVJU				0.5	15	0.043	0.4	33	39
FXAQ24PVJU				0.6	15	0.043	0.5	50	60

Symbols :

- MCA : Minimum Circuit Ampacity(A)
MOP : Maximum Overcurrent Protective Device(A)
kW : Fan Motor Rated Output(kW)
FLA : Full Load Ampacity(A)
IFM : Indoor Fan Motor

Note :

- Voltage range
Units are suitable for use on electrical systems where voltage supplied to unit terminals is not below or above listed range limits,
- Maximum allowable voltage unbalance between phases is 2%.
- MCA/MOP
 $MCA = 1.25 \times FLA$
 $MOP \leq 4 \times FLA$
(Next lower standard fuse rating. Minimum 15A)
- Select wire size based on the value of MCA.
- Either a fuse or a circuit breaker is acceptable.

4D075550

6. Safety Devices Setting

	Safety devices				07	09	12	18	24
FXAQ - PVJU	PC board fuse				250V / 3.15A				
	Fan motor thermal fuse				°F	_____			
	Fan motor thermal protector				°F	_____			

C: 4D047085C

7. Capacity Tables

7.1 Cooling Capacity

FXAQ-P [Cooling capacity]

Unit size	Outdoor air temp.	Indoor air temp.											
		61 °FWB		64 °FWB		67 °FWB		70 °FWB		72 °FWB		75 °FWB	
		TC	SHC	TC	SHC	TC	SHC	TC	SHC	TC	SHC	TC	SHC
°FDB	MBh	MBh	MBh	MBh	MBh	MBh	MBh	MBh	MBh	MBh	MBh	MBh	
07	75	5.9	5.6	6.7	6.1	7.5	6.4	8.3	6.6	8.8	6.8	8.9	6.5
	79	5.9	5.6	6.7	6.1	7.5	6.4	8.3	6.6	8.6	6.6	8.8	6.4
	83	5.9	5.6	6.7	6.1	7.5	6.4	8.3	6.6	8.5	6.5	8.6	6.3
	87	5.9	5.6	6.7	6.1	7.5	6.4	8.2	6.6	8.3	6.4	8.5	6.2
	91	5.9	5.6	6.7	6.1	7.5	6.4	8.1	6.6	8.2	6.4	8.4	6.1
	95	5.9	5.6	6.7	6.1	7.5	6.4	8.0	6.5	8.1	6.3	8.2	6.0
	99	5.9	5.6	6.7	6.1	7.5	6.4	7.8	6.3	7.9	6.2	8.1	5.9
103	5.9	5.6	6.7	6.1	7.5	6.4	7.7	6.2	7.8	6.1	7.9	5.8	
09	75	7.5	6.5	8.5	7.2	9.5	7.3	10.5	7.7	11.1	8.1	11.3	7.6
	79	7.5	6.5	8.5	7.2	9.5	7.3	10.5	7.7	10.9	8.0	11.1	7.4
	83	7.5	6.5	8.5	7.2	9.5	7.3	10.5	7.7	10.7	7.8	10.9	7.3
	87	7.5	6.5	8.5	7.2	9.5	7.3	10.4	7.6	10.6	7.7	10.9	7.3
	91	7.5	6.5	8.5	7.2	9.5	7.3	10.3	7.5	10.4	7.6	10.6	7.1
	95	7.5	6.5	8.5	7.2	9.5	7.3	10.1	7.4	10.2	7.4	10.4	7.0
	99	7.5	6.5	8.5	7.2	9.5	7.3	9.9	7.2	10.0	7.3	10.2	6.8
103	7.5	6.5	8.5	7.2	9.5	7.3	9.7	7.1	9.9	7.2	10.0	6.7	
12	75	9.5	7.9	10.7	8.3	12.0	8.9	13.3	9.2	14.0	9.3	14.3	8.8
	79	9.5	7.9	10.7	8.3	12.0	8.9	13.3	9.2	13.8	9.1	14.0	8.7
	83	9.5	7.9	10.7	8.3	12.0	8.9	13.3	9.2	13.6	9.1	13.8	8.6
	87	9.5	7.9	10.7	8.3	12.0	8.9	13.2	9.1	13.3	8.9	13.6	8.6
	91	9.5	7.9	10.7	8.3	12.0	8.9	13.0	9.1	13.1	8.9	13.4	8.5
	95	9.5	7.9	10.7	8.3	12.0	8.9	12.7	8.9	12.9	8.8	13.1	8.5
	99	9.5	7.9	10.7	8.3	12.0	8.9	12.5	8.9	12.7	8.7	12.9	8.4
103	9.5	7.9	10.7	8.3	12.0	8.9	12.3	8.7	12.4	8.6	12.7	8.4	
18	75	14.2	11.7	16.1	12.7	18.0	13.7	19.9	13.9	21.0	14.1	21.4	12.8
	79	14.2	11.7	16.1	12.7	18.0	13.7	19.9	13.9	20.7	13.9	21.1	12.7
	83	14.2	11.7	16.1	12.7	18.0	13.7	19.9	13.9	20.4	13.8	20.7	12.6
	87	14.2	11.7	16.1	12.7	18.0	13.7	19.8	13.8	20.0	13.6	20.4	12.6
	91	14.2	11.7	16.1	12.7	18.0	13.7	19.4	13.8	19.7	13.6	20.1	12.5
	95	14.2	11.7	16.1	12.7	18.0	13.7	19.1	13.6	19.3	13.3	19.7	12.4
	99	14.2	11.7	16.1	12.7	18.0	13.7	18.8	13.5	19.0	12.7	19.4	12.3
103	14.2	11.7	16.1	12.7	18.0	13.7	18.4	13.3	18.7	12.5	19.0	12.2	
24	75	18.9	15.3	21.5	16.5	24.0	18.0	26.5	18.3	28.0	18.5	28.5	17.1
	79	18.9	15.3	21.5	16.5	24.0	18.0	26.5	18.3	27.6	18.3	28.1	16.9
	83	18.9	15.3	21.5	16.5	24.0	18.0	26.5	18.3	27.1	18.2	27.6	16.8
	87	18.9	15.3	21.5	16.5	24.0	18.0	26.4	18.2	26.7	18.0	27.2	16.6
	91	18.9	15.3	21.5	16.5	24.0	18.0	25.9	18.1	26.2	17.8	26.7	16.4
	95	18.9	15.3	21.5	16.5	24.0	18.0	25.5	17.8	25.8	17.6	26.3	16.2
	99	18.9	15.3	21.5	16.5	24.0	18.0	25.0	17.8	25.3	17.4	25.8	15.9
103	18.9	15.3	21.5	16.5	24.0	18.0	24.6	17.4	24.9	17.2	25.4	15.7	

TC: Total capacity: MBh
 SHC: Sensible heat capacity: MBh



Refer to outdoor unit capacity tables for the actual performance data of each indoor and outdoor unit combination.

7.2 Heating Capacity

FXAQ-P [Heating capacity]

Unit size	Outdoor air temp.		Indoor air temp.					
			62 °FDB	65 °FDB	68 °FDB	70 °FDB	72 °FDB	75 °FDB
	°FDB	°FWB	TC	TC	TC	TC	TC	TC
07	22.0	20.0	7.3	7.3	7.3	7.3	7.3	7.2
	26.0	24.0	7.6	7.6	7.6	7.6	7.6	7.6
	30.0	28.0	8.0	8.0	8.0	8.0	7.9	7.7
	35.0	32.0	8.3	8.3	8.3	8.3	8.1	7.7
	39.0	36.0	8.7	8.7	8.7	8.4	8.1	7.7
	44.0	40.0	9.0	9.0	8.7	8.5	8.1	7.7
	47.0	43.0	9.3	9.2	8.7	8.5	8.1	7.7
	51.0	47.0	9.6	9.2	8.7	8.5	8.1	7.7
	54.0	50.0	9.7	9.2	8.7	8.5	8.1	7.7
	57.0	53.0	9.7	9.2	8.7	8.5	8.1	7.7
	60.0	56.0	9.7	9.2	8.7	8.5	8.1	7.7
09	22.0	20.0	9.2	9.2	9.2	9.2	9.2	9.2
	26.0	24.0	9.7	9.7	9.6	9.6	9.6	9.6
	30.0	28.0	10.1	10.1	10.1	10.1	10.1	9.7
	35.0	32.0	10.6	10.5	10.5	10.5	10.3	9.7
	39.0	36.0	11.0	11.0	11.0	10.5	10.3	9.7
	44.0	40.0	11.4	11.4	11.1	10.5	10.3	9.7
	47.0	43.0	11.8	11.7	11.1	10.5	10.3	9.7
	51.0	47.0	12.2	11.7	11.1	10.5	10.3	9.7
	54.0	50.0	12.3	11.7	11.1	10.5	10.3	9.7
	57.0	53.0	12.3	11.7	11.1	10.5	10.3	9.7
	60.0	56.0	12.3	11.7	11.1	10.5	10.3	9.7
12	22.0	20.0	11.7	11.7	11.6	11.6	11.6	11.6
	26.0	24.0	12.2	12.2	12.2	12.2	12.2	12.1
	30.0	28.0	12.8	12.8	12.7	12.7	12.7	12.3
	35.0	32.0	13.3	13.3	13.3	13.3	13.0	12.3
	39.0	36.0	13.9	13.9	13.9	13.5	13.0	12.3
	44.0	40.0	14.5	14.4	14.0	13.5	13.0	12.3
	47.0	43.0	14.9	14.7	14.0	13.5	13.0	12.3
	51.0	47.0	15.4	14.7	14.0	13.5	13.0	12.3
	54.0	50.0	15.5	14.7	14.0	13.5	13.0	12.3
	57.0	53.0	15.5	14.7	14.0	13.5	13.0	12.3
	60.0	56.0	15.5	14.7	14.0	13.5	13.0	12.3
18	22.0	20.0	17.5	17.5	17.4	17.4	17.4	17.4
	26.0	24.0	18.3	18.3	18.3	18.3	18.2	18.2
	30.0	28.0	19.2	19.1	19.1	19.1	19.1	18.4
	35.0	32.0	20.0	20.0	19.9	19.9	19.5	18.4
	39.0	36.0	20.8	20.8	20.8	20.0	19.5	18.4
	44.0	40.0	21.7	21.6	21.0	20.0	19.5	18.4
	47.0	43.0	22.3	22.1	21.0	20.0	19.5	18.4
	51.0	47.0	23.1	22.1	21.0	20.0	19.5	18.4
	54.0	50.0	23.2	22.1	21.0	20.0	19.5	18.4
	57.0	53.0	23.2	22.1	21.0	20.0	19.5	18.4
	60.0	56.0	23.2	22.1	21.0	20.0	19.5	18.4
24	22.0	20.0	22.9	22.9	22.8	22.8	22.8	22.7
	26.0	24.0	24.0	24.0	23.9	23.9	23.9	23.8
	30.0	28.0	25.1	25.1	25.0	25.0	25.0	24.0
	35.0	32.0	26.2	26.1	26.1	26.1	25.5	24.0
	39.0	36.0	27.3	27.2	27.2	26.5	25.5	24.0
	44.0	40.0	28.4	28.3	27.5	26.5	25.5	24.0
	47.0	43.0	29.2	29.0	27.5	26.5	25.5	24.0
	51.0	47.0	30.3	29.0	27.5	26.5	25.5	24.0
	54.0	50.0	30.4	29.0	27.5	26.5	25.5	24.0
	57.0	53.0	30.4	29.0	27.5	26.5	25.5	24.0
	60.0	56.0	30.4	29.0	27.5	26.5	25.5	24.0

TC: Total capacity: MBh

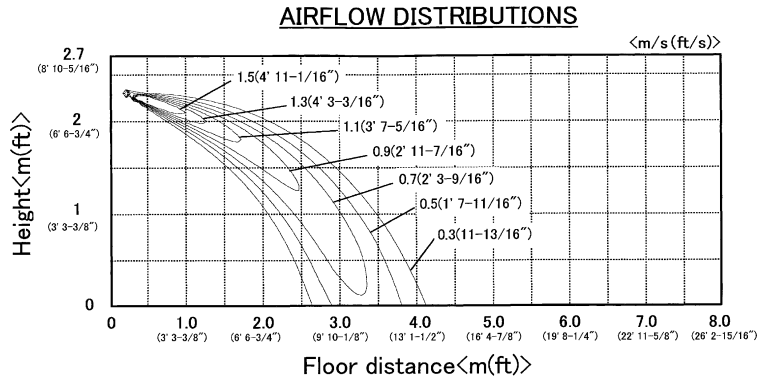


Refer to outdoor unit capacity tables for the actual performance data of each indoor and outdoor unit combination.

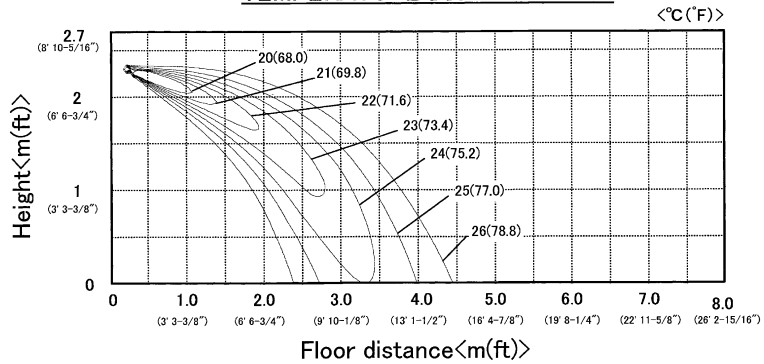
8. Air Velocity and Temperature Distributions (Reference Data)

FXAQ07PVJU <Cooling mode>

AIRFLOW DISTRIBUTIONS



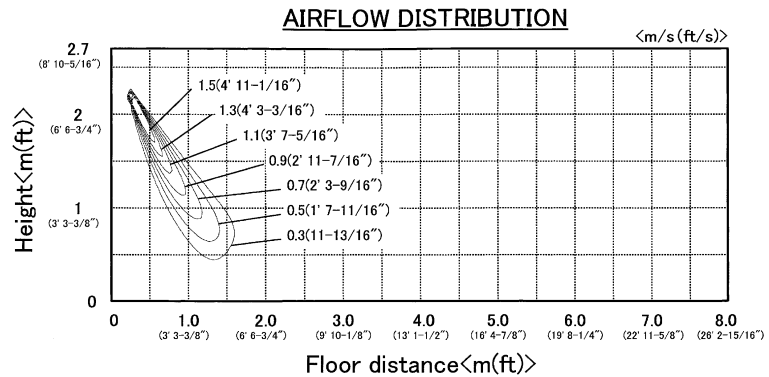
TEMPERATURE DISTRIBUTIONS



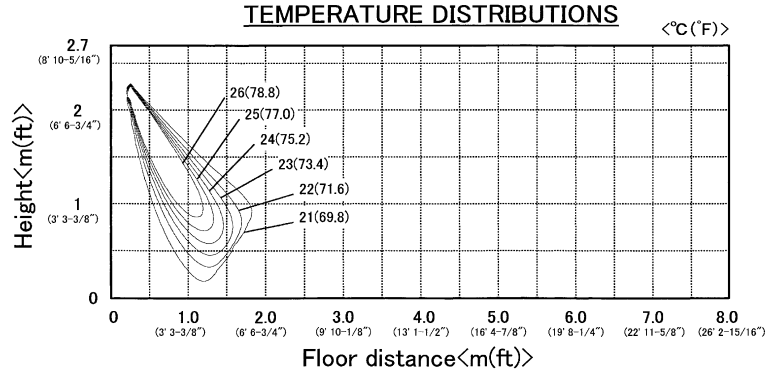
C: 3D053942

FXAQ07PVJU <Heating mode>

AIRFLOW DISTRIBUTIONS



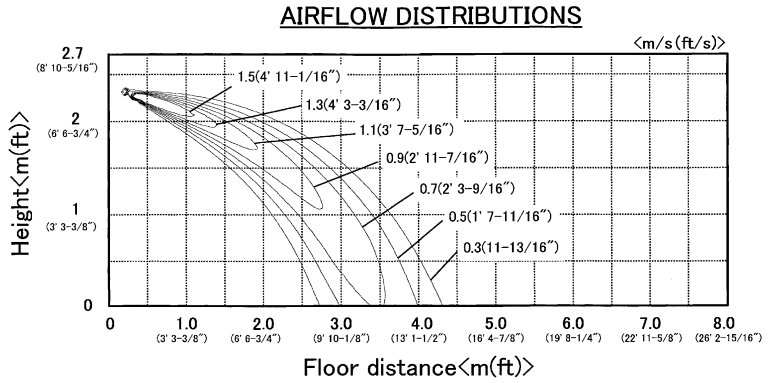
TEMPERATURE DISTRIBUTIONS



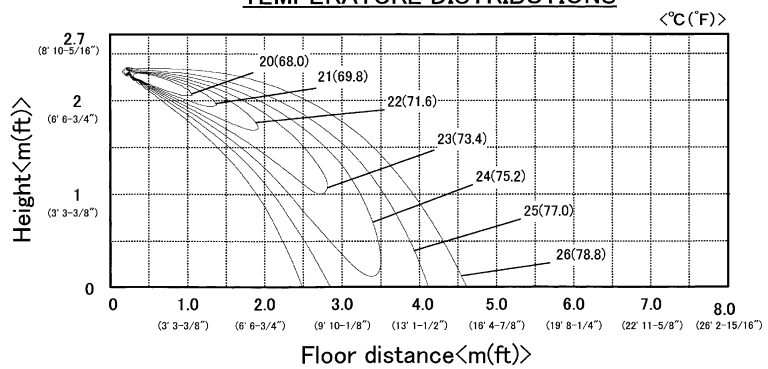
C: 3D053942

FXAQ09PVJU <Cooling mode>

AIRFLOW DISTRIBUTIONS



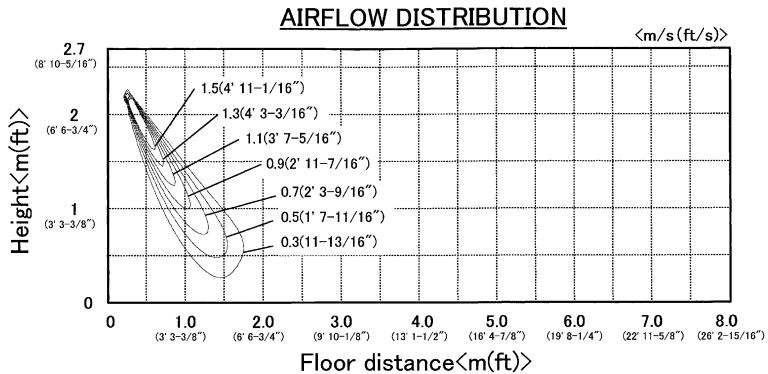
TEMPERATURE DISTRIBUTIONS



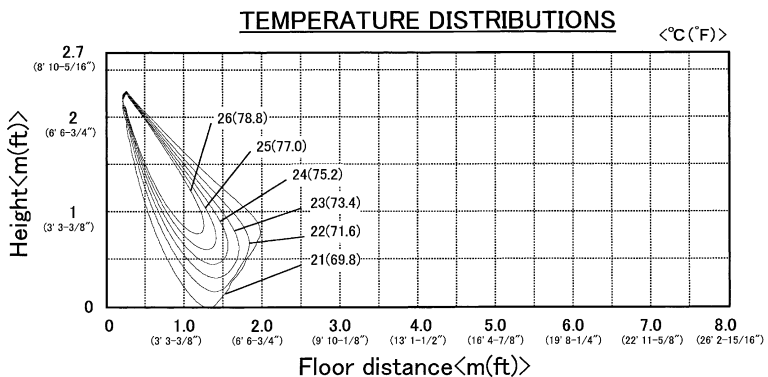
C: 3D053943

FXAQ09PVJU <Heating mode>

AIRFLOW DISTRIBUTIONS



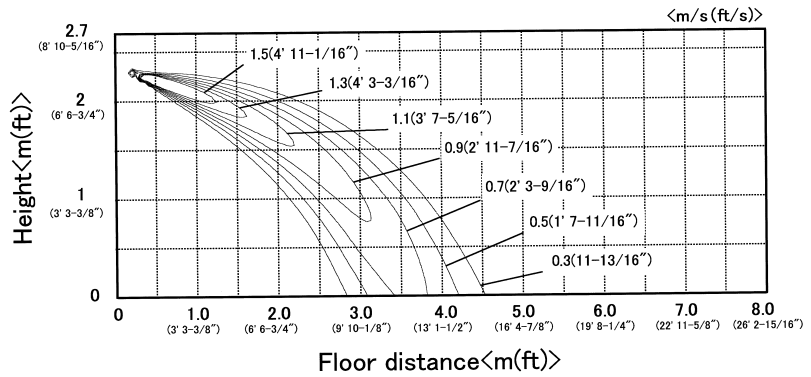
TEMPERATURE DISTRIBUTIONS



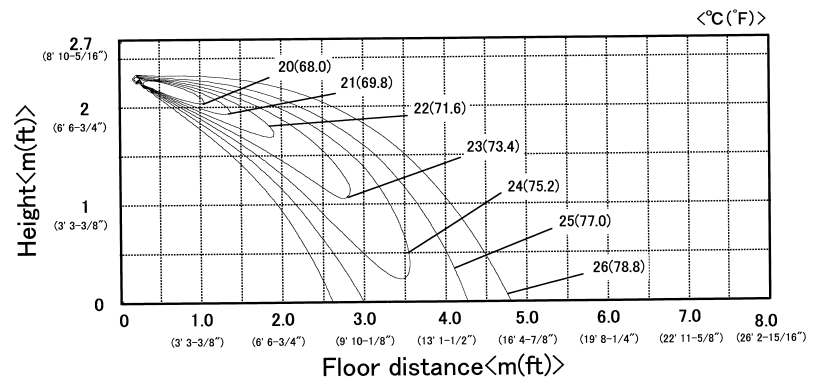
C: 3D053943

FXAQ12PVJU <Cooling mode>

AIRFLOW DISTRIBUTIONS



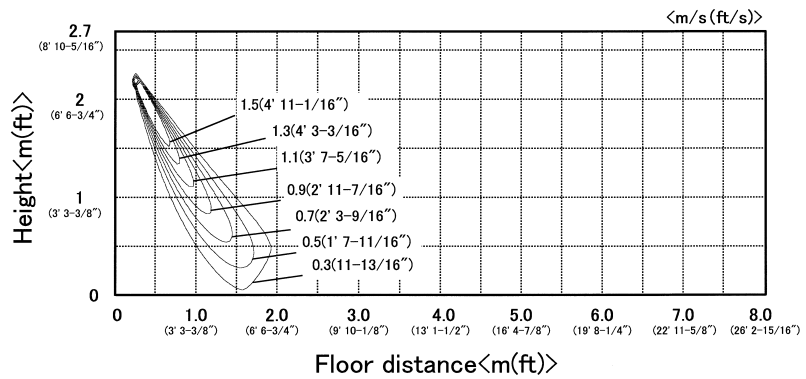
TEMPERATURE DISTRIBUTIONS



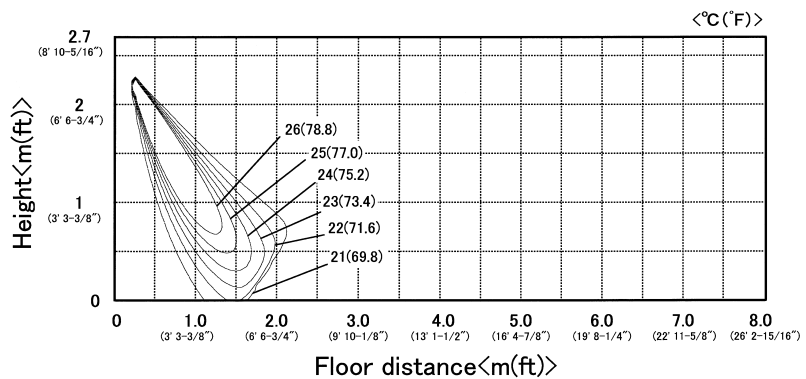
C: 3D052935

FXAQ12PVJU <Heating mode>

AIRFLOW DISTRIBUTIONS



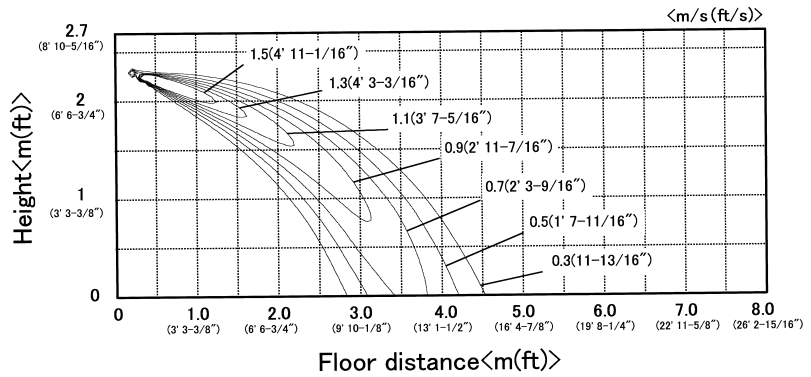
TEMPERATURE DISTRIBUTIONS



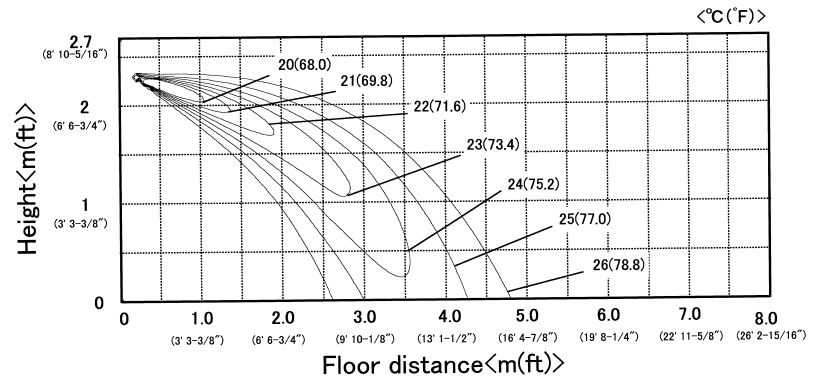
C: 3D052935

FXAQ18PVJU <Cooling mode>

AIRFLOW DISTRIBUTIONS



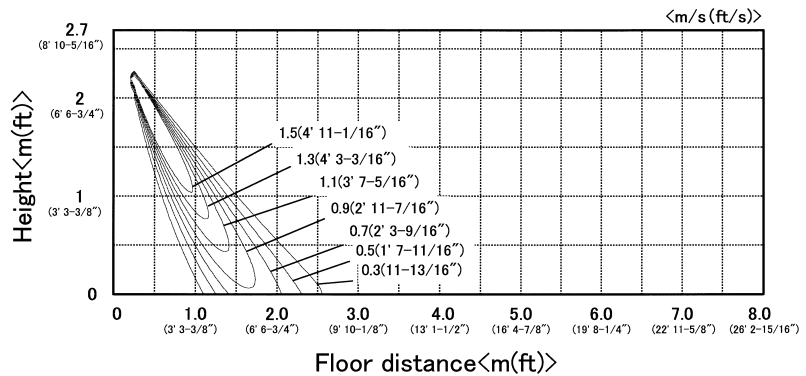
TEMPERATURE DISTRIBUTIONS



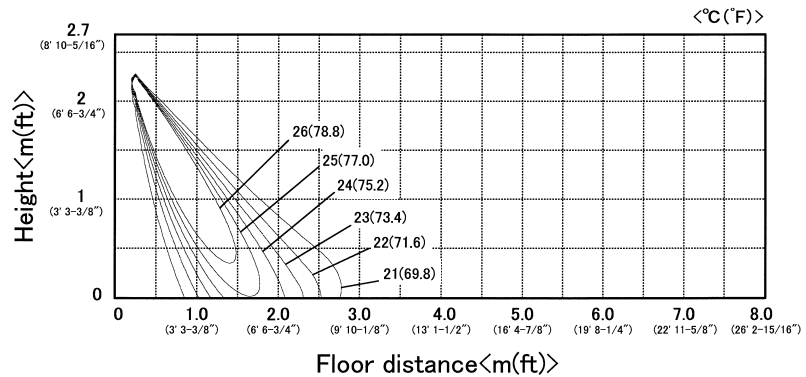
C: 3D052936

FXAQ18PVJU <Heating mode>

AIRFLOW DISTRIBUTIONS



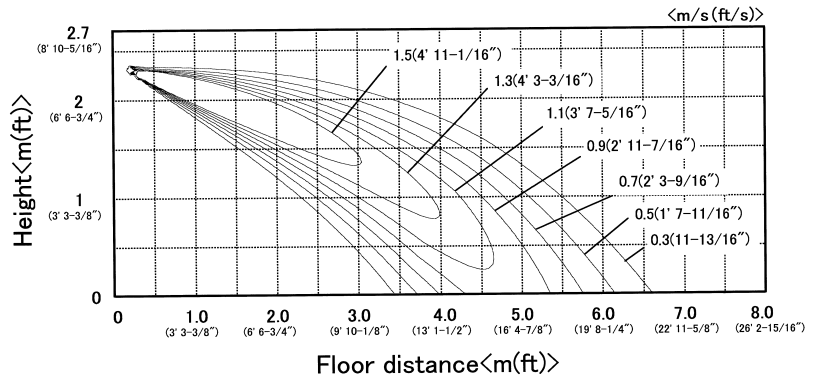
TEMPERATURE DISTRIBUTIONS



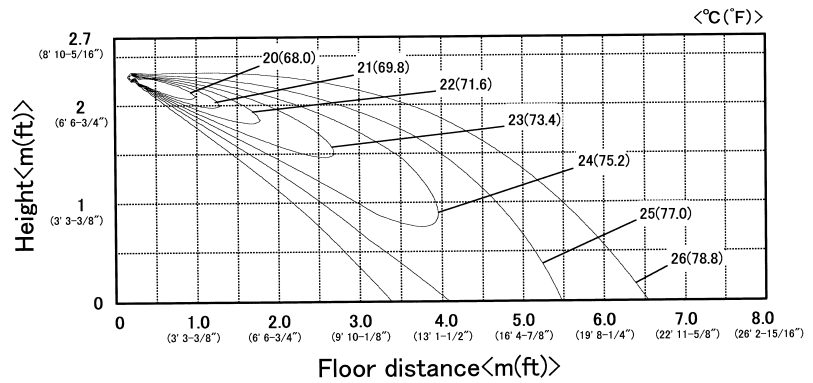
C: 3D052936

FXAQ24PVJU <Cooling mode>

AIRFLOW DISTRIBUTIONS



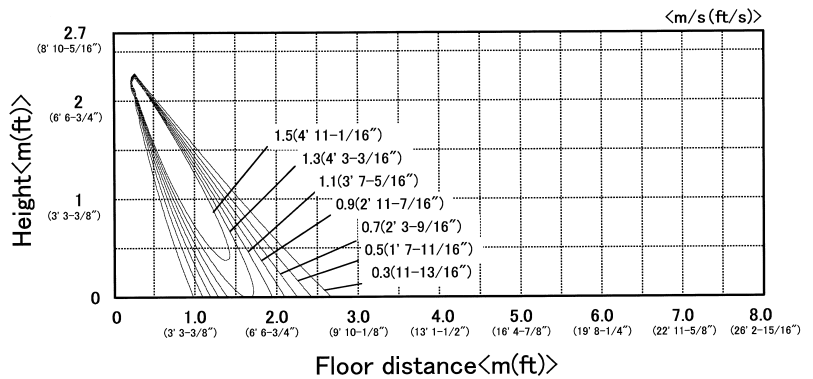
TEMPERATURE DISTRIBUTIONS



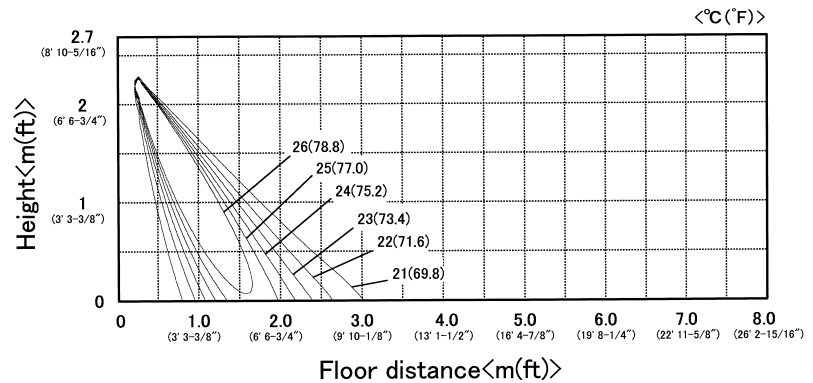
C: 3D052937

FXAQ24PVJU <Heating mode>

AIRFLOW DISTRIBUTIONS



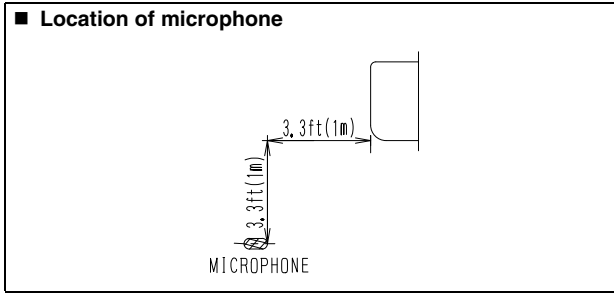
TEMPERATURE DISTRIBUTIONS



C: 3D052937

9. Sound Levels (Reference)

9.1 Overall



Notes:

1. The operating conditions are assumed to be standard (JIS conditions). Power source 208/230V, 60Hz.
2. The operating values were obtained in an anechoic chamber (conversion values).
3. Sound levels will vary depending on a range of factors such as the construction (acoustic absorption coefficient) of the particular room in which the equipment is installed.

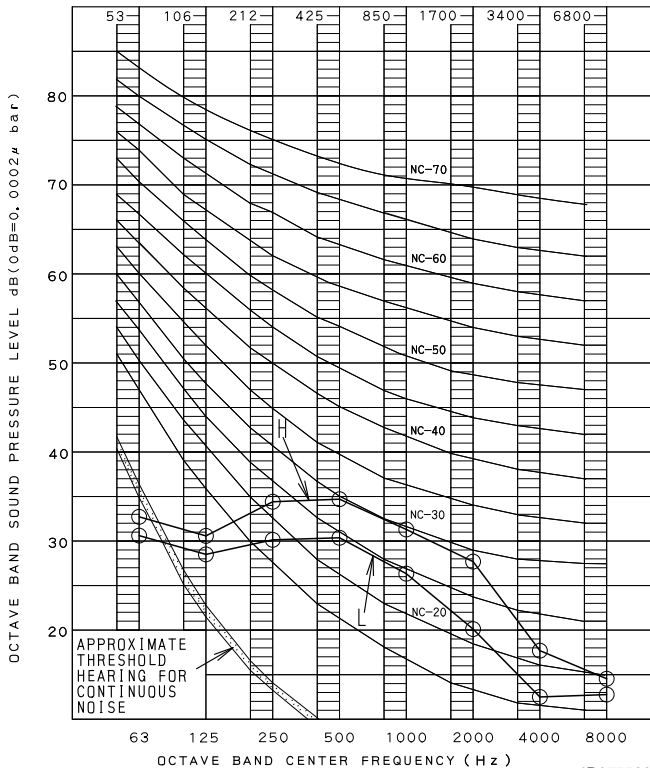
Model	208/230V, 60Hz	
	H	L
FXAQ07PVJU	36	31
FXAQ09PVJU	37	31
FXAQ12PVJU	38	31
FXAQ18PVJU	43	37
FXAQ24PVJU	47	41

dB(A)

9.2 Octave Band Level

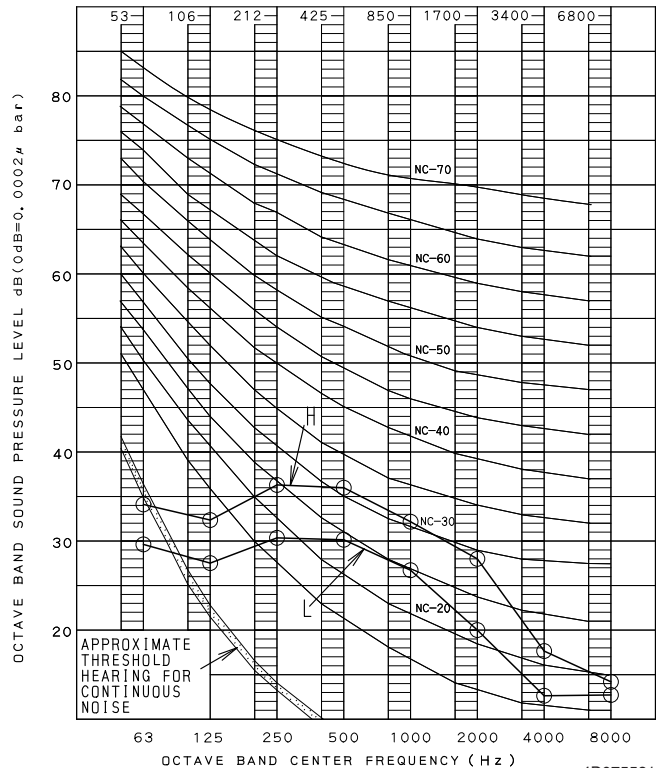
○ — ○ 208/230V, 60Hz

FXAQ07PVJU



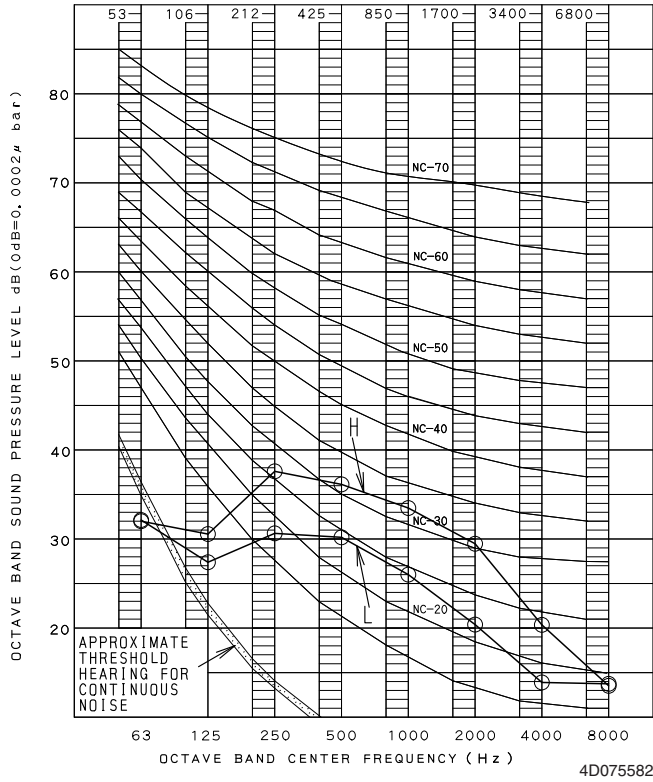
4D075580

FXAQ09PVJU

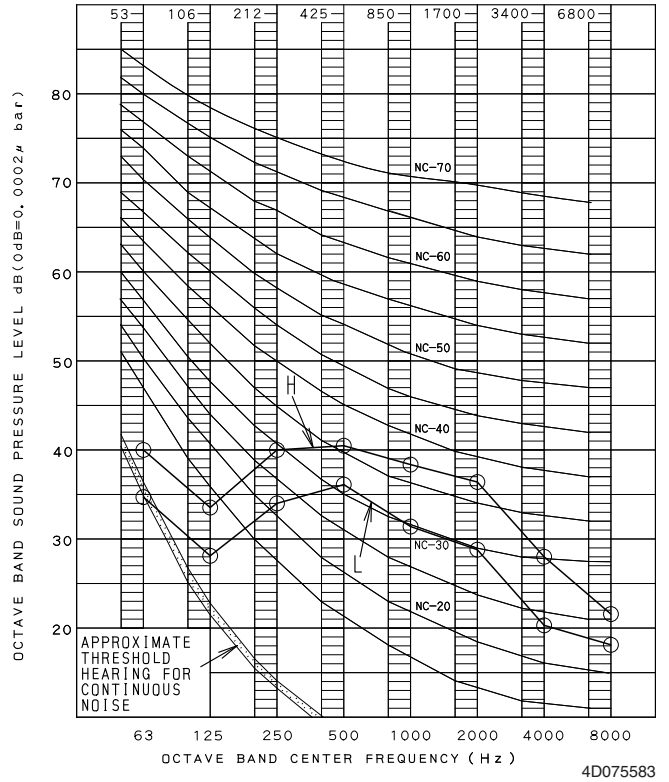


4D075581

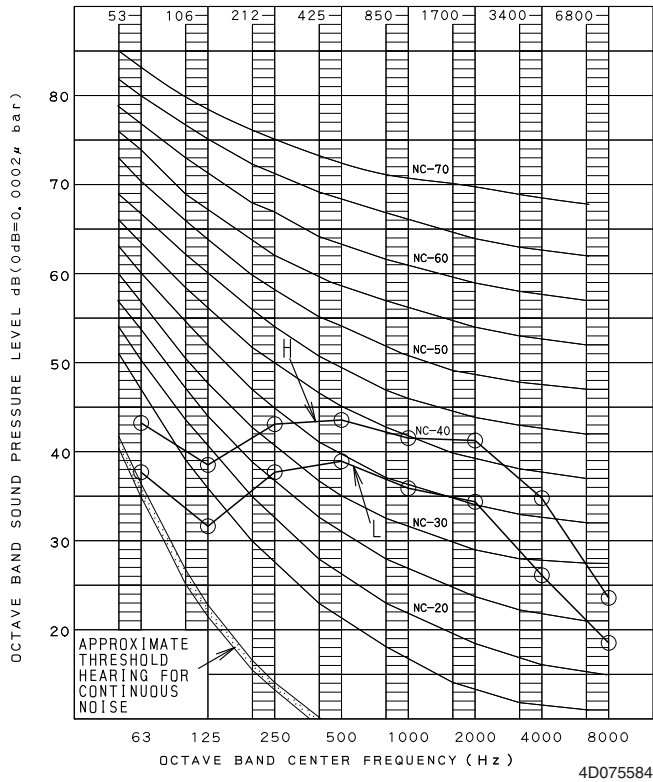
FXAQ12PVJU



FXAQ18PVJU



FXAQ24PVJU







10. Installation

Safety Considerations

Read these **SAFETY CONSIDERATIONS for Installation** carefully before installing an air conditioner or heat pump. After completing the installation, make sure that the unit operates properly during the startup operation. Instruct the customer on how to operate and maintain the unit. Inform customers that they should store this Installation Manual with the Operation Manual for future reference.

Always use a licensed installer or contractor to install this product. Improper installation can result in water or refrigerant leakage, electrical shock, fire, or explosion.

Meanings of **DANGER**, **WARNING**, **CAUTION**, and **NOTE** Symbols:

-  **DANGER** Indicates an imminently hazardous situation which, if not avoided, will result in death or serious injury.
-  **WARNING** Indicates a potentially hazardous situation which, if not avoided, could result in death or serious injury.
-  **CAUTION** Indicates a potentially hazardous situation which, if not avoided, may result in minor or moderate injury. It may also be used to alert against unsafe practices.
-  **NOTE** Indicates situations that may result in equipment or property-damage accidents only.

— **DANGER** —

- Refrigerant gas is heavier than air and replaces oxygen. A massive leak can lead to oxygen depletion, especially in basements, and an asphyxiation hazard could occur leading to serious injury or death.
- Do not ground units to water pipes, gas pipes, telephone wires, or lightning rods as incomplete grounding can cause a severe shock hazard resulting in severe injury or death. Additionally, grounding to gas pipes could cause a gas leak and potential explosion causing severe injury or death.
- If refrigerant gas leaks during installation, ventilate the area immediately. Refrigerant gas may produce toxic gas if it comes into contact with fire. Exposure to this gas could cause severe injury or death.
- After completing the installation work, check that the refrigerant gas does not leak throughout the system.
- Do not install unit in an area where flammable materials are present due to risk of explosions that can cause serious injury or death.
- Safely dispose all packing and transportation materials in accordance with federal/state/local laws or ordinances. Packing materials such as nails and other metal or wood parts, including plastic packing materials used for transportation may cause injuries or death by suffocation.
- Only qualified personnel must carry out the installation work. Installation must be done in accordance with this installation manual. Improper installation may result in water leakage, electric shock, or fire.
- When installing the unit in a small room, take measures to keep the refrigerant concentration from exceeding allowable safety limits. Excessive refrigerant leaks, in the event of an accident in a closed ambient space, can lead to oxygen deficiency.
- Use only specified accessories and parts for installation work. Failure to use specified parts may result in water leakage, electric shocks, fire, or the unit falling.
- Install the air conditioner or heat pump on a foundation strong enough that it can withstand the weight of the unit. A foundation of insufficient strength may result in the unit falling and causing injuries.
- Take into account strong winds, typhoons, or earthquakes when installing. Improper installation may result in the unit falling and causing accidents.
- Make sure that a separate power supply circuit is provided for this unit and that all electrical work is carried out by qualified personnel according to local, state, and national regulations. An insufficient power supply capacity or improper electrical construction may lead to electric shocks or fire.
- Make sure that all wiring is secured, that specified wires are used, and that no external forces act on the terminal connections or wires. Improper connections or installation may result in fire.
- When wiring, position the wires so that the terminal box lid can be securely fastened. Improper positioning of the terminal box lid may result in electric shocks, fire, or the terminals overheating.
- Before touching electrical parts, turn off the unit.
- This equipment can be installed with a Ground-Fault Circuit Breaker (GFCI). Although this is a recognized measure for additional protection, with the earthing system in North America, a dedicated GFCI is not necessary.
- Securely fasten the outside unit terminal cover (panel). If the terminal cover/panel is not installed properly, dust or water may enter the outside unit causing fire or electric shock.
- When installing or relocating the system, keep the refrigerant circuit free from substances other than the specified refrigerant (R-410A) such as air. Any presence of air or other foreign substance in the refrigerant circuit can cause an abnormal pressure rise or rupture, resulting in injury.
- Do not change the setting of the protection devices. If the pressure switch, thermal switch, or other protection device is shorted and operated forcibly, or parts other than those specified by Daikin are used, fire or explosion may occur.

- Do not touch the switch with wet fingers. Touching a switch with wet fingers can cause electric shock.
- Do not allow children to play on or around the unit to prevent injury.
- The heat exchanger fins are sharp enough to cut. To avoid injury wear gloves or cover the fins while working around them.
- Do not touch the refrigerant pipes during and immediately after operation as the refrigerant pipes may be hot or cold, depending on the condition of the refrigerant flowing through the refrigerant piping, compressor, and other refrigerant cycle parts. Your hands may suffer burns or frostbite if you touch the refrigerant pipes. To avoid injury, give the pipes time to return to normal temperature or, if you must touch them, be sure to wear proper gloves.
- Install drain piping to proper drainage. Improper drain piping may result in water leakage and property damage.
- Insulate piping to prevent condensation.
- Be careful when transporting the product.
- Do not turn off the power immediately after stopping operation. Always wait for at least 5 minutes before turning off the power. Otherwise, water leakage may occur.
- Do not use a charging cylinder. Using a charging cylinder may cause the refrigerant to deteriorate.
- Refrigerant R-410A in the system must be kept clean, dry, and tight.
 - (a) Clean and Dry -- Foreign materials (including mineral oils such as SUNISO oil or moisture) should be prevented from getting into the system.
 - (b) Tight -- R-410A does not contain any chlorine, does not destroy the ozone layer, and does not reduce the earth's protection against harmful ultraviolet radiation. R-410A can contribute to the greenhouse effect if it is released. Therefore take proper measures to check for the tightness of the refrigerant piping installation. Read the chapter *Refrigerant Piping* and follow the procedures.
- Since R-410A is a blend, the required additional refrigerant must be charged in its liquid state. If the refrigerant is charged in a state of gas, its composition can change and the system will not work properly.
- The indoor unit is for R-410A. See the catalog for indoor models that can be connected. Normal operation is not possible when connected to other units.
- Remote controller (wireless kit) transmitting distance can be shorter than expected in rooms with electronic fluorescent lamps (inverter or rapid start types). Install the indoor unit far away from fluorescent lamps as much as possible.
- Indoor units are for indoor installation only. Outdoor units can be installed either outdoors or indoors. This unit is for indoor use.
- Do not install the air conditioner or heat pump in the following locations:
 - (a) Where a mineral oil mist or oil spray or vapor is produced, for example, in a kitchen. Plastic parts may deteriorate and fall off or result in water leakage.
 - (b) Where corrosive gas, such as sulfurous acid gas, is produced. Corroding copper pipes or soldered parts may result in refrigerant leakage.
 - (c) Near machinery emitting electromagnetic waves. Electromagnetic waves may disturb the operation of the control system and cause the unit to malfunction.
 - (d) Where flammable gas may leak, where there is carbon fiber, or ignitable dust suspension in the air, or where volatile flammables such as thinner or gasoline are handled. Operating the unit in such conditions can cause a fire.
- Take adequate measures to prevent the outside unit from being used as a shelter by small animals. Small animals making contact with electrical parts can cause malfunctions, smoke, or fire. Instruct the customer to keep the area around the unit clean.
- Install the power supply and control wires for the indoor and outdoor units at least 3.5 feet away from televisions or radios to prevent image interference or noise. Depending on the radio waves, a distance of 3.5 feet may not be sufficient to eliminate the noise.
- Dismantling the unit, treatment of the refrigerant, oil and additional parts must be done in accordance with the relevant local, state, and national regulations.
- Do not use the following tools that are used with conventional refrigerants: gauge manifold, charge hose, gas leak detector, reverse flow check valve, refrigerant charge base, vacuum gauge, or refrigerant recovery equipment.
- If the conventional refrigerant and refrigerator oil are mixed in R-410A, the refrigerant may deteriorate.
- This air conditioner or heat pump is an appliance that should not be accessible to the general public.
- As design pressure is 478 psi, the wall thickness of field-installed pipes should be selected in accordance with the relevant local, state, and national regulations.

2. BEFORE INSTALLATION

- **When moving the unit while removing it from the packing case, be sure to lift it by the four hanger brackets. Avoid putting any pressure on other parts, especially, horizontal flaps, the refrigerant piping, drain piping, and other resin parts.**
- Be sure to remove a cushion (corrugated paper) located between the heat exchanger and the right air filter.
- Be sure to check the type of R410A refrigerant to be used before installing the unit. (Using an incorrect refrigerant will prevent normal operation of the unit.)
- The accessories needed for installation must be retained in your custody until the installation work is completed. Do not discard them!
- Decide upon a line of transport.
- Leave the unit inside its packaging while moving, until reaching the installation site. Where unpacking is unavoidable, use a sling of soft material or protective plates together with a rope when lifting, to avoid damage or scratches to the unit.
- For the installation of an outdoor unit, refer to the installation manual attached to the outdoor unit.
- When using the wireless remote controller, refer to the installation manual attached to the wireless remote controller.
- Do not install or operate the unit in rooms mentioned below.
 - **Laden with mineral oil, or filled with oil vapor or spray like in kitchens. (Plastic parts may deteriorate which could eventually cause the unit to fall out of place, or could lead to leaks.)**
 - **Where corrosive gas like sulfurous gas exists. (Copper tubing and brazed spots may corrode which could eventually lead to refrigerant leaks.)**
 - **Where machines can generate electromagnetic waves. (Control system may malfunction.)**
 - **Where the air contains high levels of salt such as that near the ocean and where voltage fluctuates greatly such as that in factories.**
- **Also in vehicles or vessels.**
- This unit, both indoor and outdoor, is suitable for installation in a commercial and light industrial environment. If installed as a household appliance it could cause electromagnetic interference.

WARNING

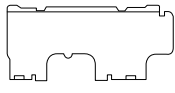

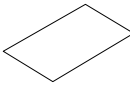
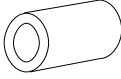
- Entrust installation to the place of purchase or an authorized serviceman. Improper installation could lead to leaks and, in worse cases, electric shock or fire.
 - Use of unspecified parts could lead to the unit falling, leaks and, in worse cases, electric shock or fire.
-



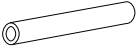
NOTE

- Be sure to read this manual before installing the indoor unit.
-

10.1 Accessories

Check the following accessories are included with your unit.

Name	(1) Installation panel	(2) Attachment screws for the installation panel	(3) Paper pattern for installation	(4) Insulating tape
Quantity	1 set	8 pcs. → FXAQ07, 09, 12 type 9 pcs. → FXAQ18, 24 type	1 pc.	1 pc.
Shape		 M4 × 25L		

Name	(5) Clamp	(6) Securing screws	(7) Insulating tube	(Other) • Operation manual • Installation manual
Quantity	1 large 4 small	2 pcs.	1 long 1 short	
Shape		 M4 × 12L		

2-2 OPTIONAL ACCESSORIES

Remote controller type	Model
Wired type	BRC1E71
Wireless type	BRC7E818

FOR THE FOLLOWING ITEMS, TAKE SPECIAL CARE DURING CONSTRUCTION AND CHECK AFTER INSTALLATION IS FINISHED.

1. Items to be checked after completion of work

Items to be checked	If not properly done, what is likely to occur	Check
Are the indoor and outdoor unit fixed firmly?	The units may drop, vibrate or make noise.	
Is the gas leak test finished?	It may result in insufficient cooling.	
Is the unit fully insulated?	Condensate water may drip.	
Does drainage flow smoothly?	Condensate water may drip.	
Does the power supply voltage correspond to that shown on the name plate?	The unit may malfunction or the components burn out.	
Are wiring and piping correct?	The unit may malfunction or the components burn out.	
Is the unit safely grounded?	It may be dangerous at electric leakage.	
Is wiring size according to specifications?	The unit may malfunction or the components burn out.	
Is something blocking the air outlet or inlet of either the indoor or outdoor units?	It may result in insufficient cooling.	
Are refrigerant piping length and additional refrigerant charge noted down?	The refrigerant charge in the system is not clear.	

2. Items to be checked at time of delivery

* Also review the "SAFETY CONSIDERATIONS"

Items to be checked	Check
Did you explain about operations while showing the operation manual to your customer?	
Did you hand the operation manual over to your customer?	

2-3 NOTE TO THE INSTALLER

Be sure to instruct customers how to properly operate the unit (especially cleaning filters, operating different functions, and adjusting the temperature) by having them carry out operations themselves while looking at the manual.

3. SELECTING INSTALLATION SITE

(1) Select an installation site where the following conditions are fulfilled and that meets with your customer's approval.

- In the upper space (including the back of the ceiling) of the indoor unit where there is no possible dripping of water from the refrigerant pipe, drain pipe, water pipe, etc.
- Where the wall is strong enough to bear the indoor unit weight.
- Where sufficient clearance for installation and maintenance can be ensured.
(Refer to Fig. 1 and Fig. 2)
- Where optimum air distribution can be ensured.
- Where nothing blocks the air passage.
- Where condensate can be properly drained.
- Where the wall is not significantly tilted.

- Where piping between indoor and outdoor units is possible within the allowable limit. (Refer to the installation manual of the outdoor unit.)
- Install the indoor and outdoor units, power supply wiring and connecting wires at least 3.5ft. away from televisions or radios in order to prevent image interference or noise. (Depending on the radio waves, a distance of 3.5ft. may not be sufficient enough to eliminate the noise.)
- Where the cool (warm) air reaches all across the room.

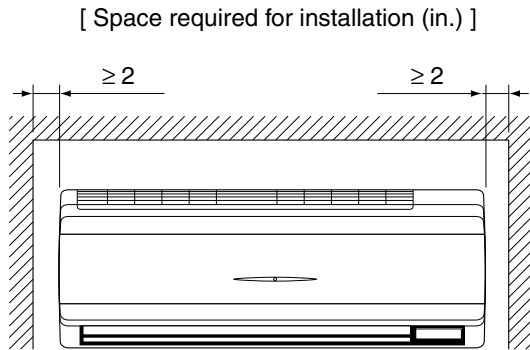


Fig. 1

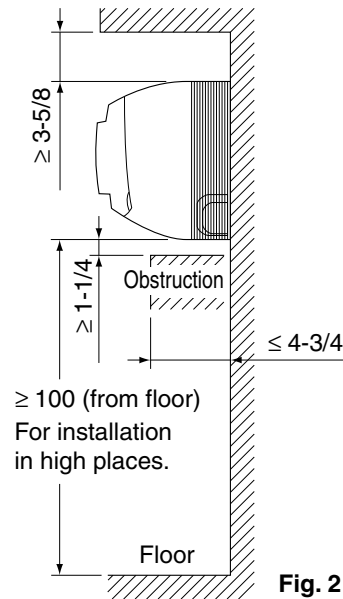


Fig. 2

- (2) Consider whether the place where the unit will be installed can support the full weight of the unit, and reinforce it with boards and beams, etc. if needed before proceeding with the installation. Also, reinforce the place to prevent vibration and noise before installing. (The installation pitch can be found on the paper pattern for installation (3), so refer to it when considering the necessity for reinforcing the location.)
- (3) The indoor unit may not be directly installed on the wall. Use the attached installation panel (1) before installing the unit.

⚠ DANGER

- Do not install unit in an area where flammable materials are present due to risk of explosion resulting in serious injury or death.

⚠ WARNING

- If the supporting structural members are not strong enough to take the unit's weight, the unit could fall out of place and cause serious injury.

10.2 Indoor Unit Installation

- Use only accessories and parts which are of the designated specification when installing.

⚠ CAUTION

- Install so that the unit does not tilt to either side or forward.
- Do not hold the unit by the horizontal flaps when lifting it. (This may damage the horizontal flaps.)

(1) Open the piping through-hole.

- The refrigerant pipe and drain pipe can be passed out in one of 5 directions: left, bottom-left, back-left, bottom-right, and back-right. **(Refer to Fig. 3)**
- Using the paper pattern for installation (3), choose where to pass the piping out and open a through-hole ($\phi 3\text{-}1/8''$) in the wall.
Open the hole so that there is a downward slope for the drain piping. (See “ 6. DRAIN PIPING WORK ”)

(2) Remove the installation panel (1) from the unit and attach to the wall.

(The installation panel is temporarily attached to the unit with a screw. (In case of 07, 09, 12 type))

(Refer to Fig. 3)

- Check the location for the hole using the included paper pattern for installation (3).
 - Choose a location so that there is at least a 3-1/2" gap between the ceiling and the main unit.
- Temporarily attach the installation panel (1) at the temporary-securing position on the paper pattern for installation (3) and use a level to make sure the drain hose is either level or tilted slightly downward.
- Secure the installation panel (1) to the wall using either screws or bolts.
 - If using the attachment screws for the installation panel (2), attach using at least 4 screws on either side (for a total of 8 screws (07, 09, 12 type), 9 screws (18, 24 type)) of the recommended installation cleat position on the included paper pattern for installation (3).
 - If using bolts, attach using a M8 - M10 bolt or equivalent (for a total of 2 bolts) on either side.
 - If dealing with concrete, use commercially available foundation bolts (M8 - M10 or equivalent).

(3) If using the left, bottom-left, or bottom-right positions for the piping, cut out the through-hole for the piping in the front grille. (Refer to Fig. 4)

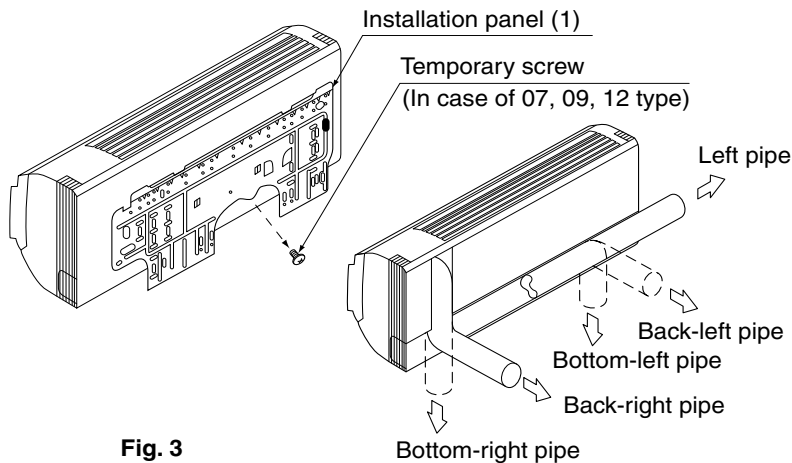


Fig. 3

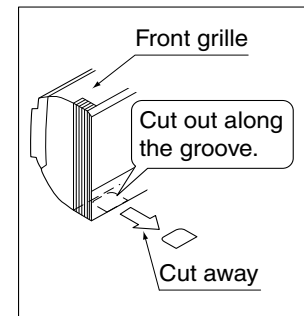


Fig. 4

- (4) Making sure not to catch the horizontal flaps, remove the front grille by pulling in the direction of the arrow.

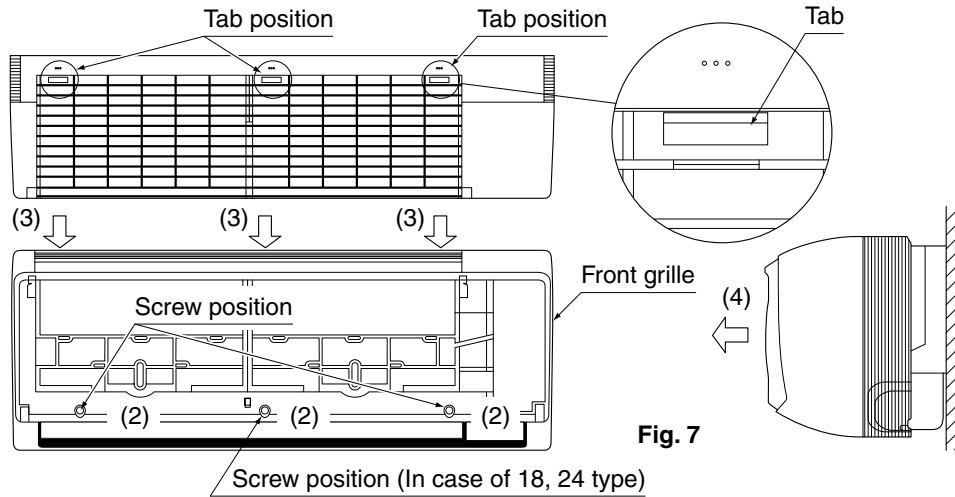


Fig. 7

- Remove the drain plug, the insulation tube, and the drain hose from the drain pan and replace. **(Refer to Fig. 8)**
- Connect the local refrigerant piping ahead of time, matching it to the liquid pipe and gas pipe marks engraved on the installation panel (accessory) (1).

< Replacing the drain hose and drain plug >

- (1) Remove the drain plug and insulation tube.
- (2) Remove the drain hose and replace onto the left side.
- (3) Replace the drain plug and the insulation tube onto the right side.

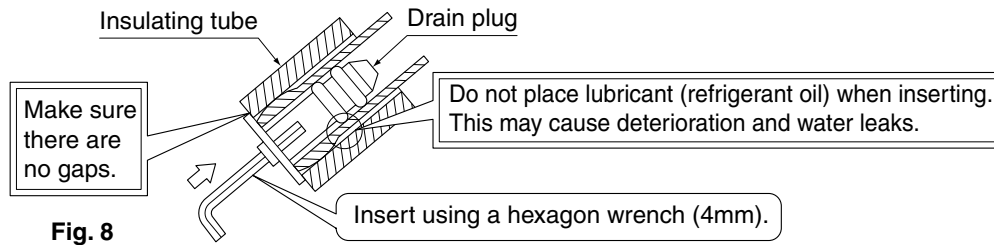


Fig. 8

(6) Hook the indoor unit onto the installation panel. (Refer to Fig. 9)

- Placing buffering material between the wall and the indoor unit at this time will make work easier.

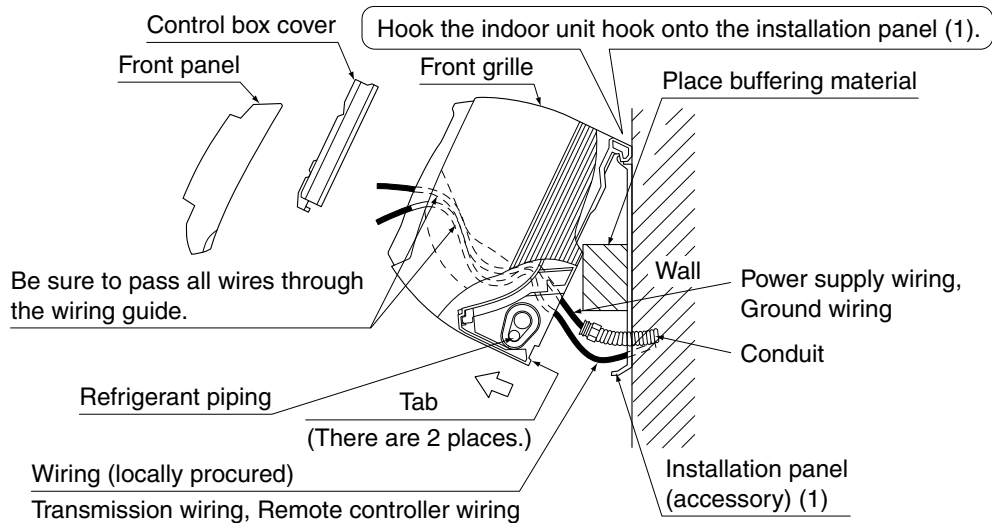


Fig. 9

For bottom-right and back-right piping

- Pass the drain hose and the refrigerant piping to the wall.

(7) Pass power supply wiring and ground wiring threaded through conduit (For connecting the conduit to the unit, see “8-1 HOW TO CONNECT WIRINGS”), and remote controller wiring through the wiring guide in through the back of the indoor unit and to the front.

(8) Connect the piping. (See “5. REFRIGERANT PIPING WORK” and Fig. 10)

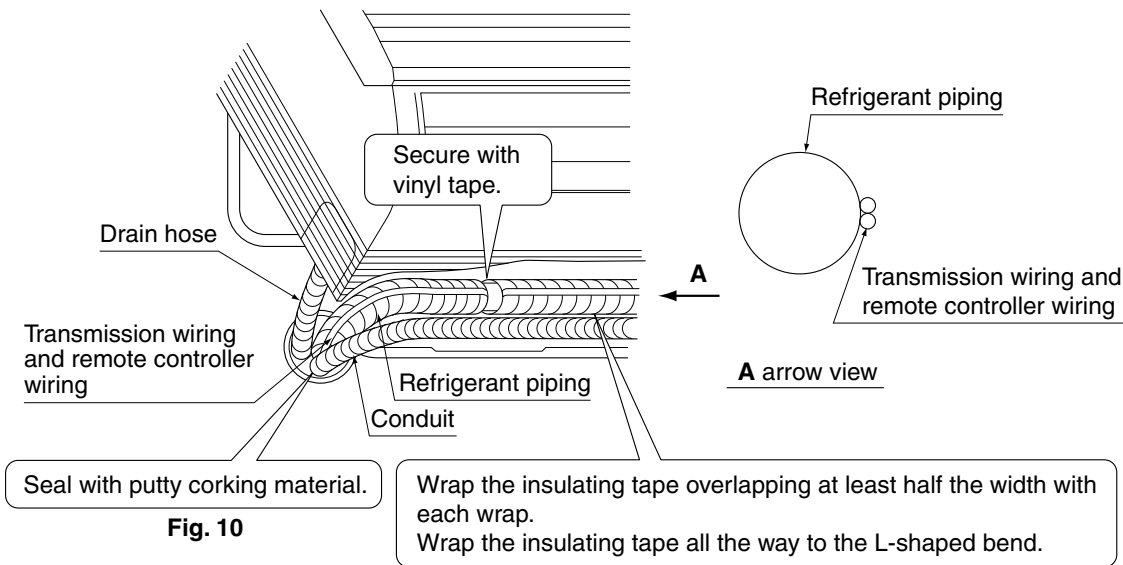


Fig. 10

- Seal the piping through-hole with putty corking material.

(9) Push on both bottom edges of the indoor unit using both hands and hook the tab on the back of the indoor unit onto the installation panel (1). (Refer to Fig. 9)

- At this time remove the buffering material placed in step (6).
- Make sure power supply wiring, transmission wiring, ground wiring and remote controller wiring are not caught inside the indoor unit.

■ **When screwing in the indoor unit**

- Remove the front grille. (Refer to Fig. 7)
- Secure the indoor unit to the installation panel (1) with the securing screws (6). (Refer to Fig. 11)

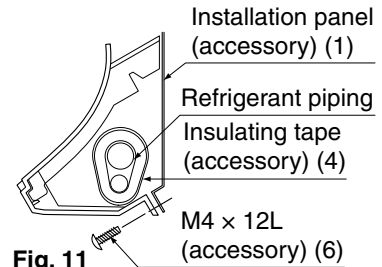


Fig. 11

REFRIGERANT PIPING WORK

⟨For refrigerant piping of outdoor units, see the installation manual attached to the outdoor unit.⟩

⟨Execute heat insulation work completely on both sides of the gas piping and the liquid piping.⟩

⟨Otherwise, a water leakage can result sometimes.⟩

(When using a heat pump, the temperature of the gas piping can reach up to approximately 250°F, so use insulation which is sufficiently resistant.)

⟨Also, in cases where the temperature and humidity of the refrigerant piping sections might exceed 86°F or RH80 %, reinforce the refrigerant insulation. (3/4" or thicker) Condensation may form on the surface of the insulating material.⟩

⟨Before refrigerant piping work, check which type of refrigerant is used. Proper operation is not possible if the types of refrigerant are not the same.⟩

⚠ DANGER

- Refrigerant gas may produce toxic gas if it comes in contact with fire such as from a fan, heater, stove or cooking device. Exposure to this gas could result in severe injury or death.

⚠ NOTE

- Use a pipe cutter and flare suitable for the type of refrigerant.
- To prevent dust, moisture or other foreign matter from infiltrating the tube, either pinch the end or cover it with tape.
- Do not allow anything other than the designated refrigerant to get mixed into the refrigerant circuit, such as air, etc.
- If any refrigerant gas leaks while working on the unit, ventilate the room thoroughly right away.

- The outdoor unit is charged with refrigerant.
- Use copper alloy seamless pipes.
- Be sure to use both a spanner and torque wrench together, as shown in the drawing, when connecting or disconnecting pipes to/from the unit. **(Refer to Fig. 12)**
- Refer to "Table 1" for the dimensions of flare.
- When connecting the flare nut, coat the flare section with ester oil or ether oil, rotate three or four times first, then screw in. **(Refer to Fig. 13)**

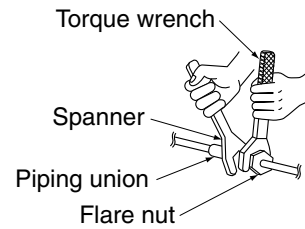


Fig. 12

- CAUTION**
- Over-tightening may cause the flare nuts to crack or the refrigerant to leak.
 - Use the flare nut included with the unit.

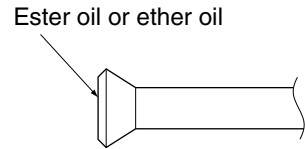


Fig. 13

- Refer to Table 1 for tightening torque.

Table 1

Pipe size	Tightening torque (ft-lbf)	Flare dimensions A (in.)	Flare shape (in.)
φ 1/4"	10.5 – 12.7	0.343 – 0.358	
φ 3/8"	24.1 – 29.4	0.504 – 0.520	
φ 1/2"	36.5 – 44.5	0.638 – 0.654	
φ 5/8"	45.6 – 55.6	0.760 – 0.776	

Not recommended but in case of emergency

You must use a torque wrench but if you are obliged to install the unit without a torque wrench, you may follow the installation method mentioned below.

After the work is finished, make sure to check that there is no gas leak.

When you keep on tightening the flare nut with a spanner, there is a point where the tightening torque suddenly increases. From that position, further tighten the flare nut the angle shown below:

Table 2

Pipe size (in.)	Further tightening angle	Recommended arm length of tool (in.)
φ 1/4"	60 to 90 degrees	Approx. 5-7/8"
φ 3/8"	60 to 90 degrees	Approx. 7-7/8"
φ 1/2"	30 to 60 degrees	Approx. 9-13/16"
φ 5/8"	30 to 60 degrees	Approx. 11-13/16"

CAUTION

- **CAUTION TO BE TAKEN WHEN BRAZING REFRIGERANT PIPING**
 "Do not use flux when brazing refrigerant piping. Therefore, use the phosphor copper brazing filler metal (BCuP) which does not require flux."
 (Flux has an extremely negative effect on refrigerant piping systems. For instance, if chlorine based flux is used, it will cause pipe corrosion. If the flux contains fluorine, it will damage the refrigerant oil.)

- When brazing the refrigerant piping, only begin brazing after having carried out nitrogen substitution (NOTE 1) or while inserting nitrogen into the refrigerant piping (NOTE 2). Once this is done, connect the indoor unit with a flared or a flanged connection.

⚠ DANGER

- Use of oxygen may cause an explosion resulting in serious injury or death. Only use nitrogen gas.

⚠ NOTE

1. Refer to the “Manual for Multi Installation for Buildings” for directions on how to carry out nitrogen substitution. (Inquire with your dealer.)
2. Nitrogen should be set to 2.9 psi with a pressure-reducing valve if brazing while inserting nitrogen into the piping. (Refer to Fig. 14)

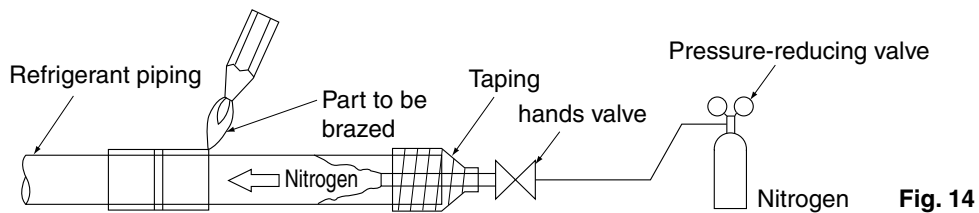


Fig. 14

- After checking for gas leaks, be sure to insulate the pipe connections using the supplementary piping insulation tubing and insulating tape (4). The insulating tape (4) should be wrapped from the L-shaped bend all the way to the end inside the unit. (Refer to Fig. 15)

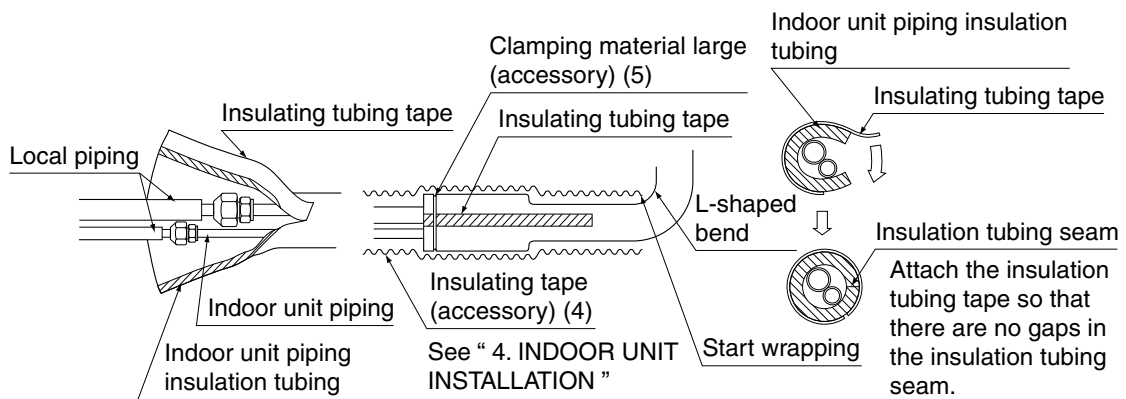


Fig. 15

⚠ CAUTION

- Be sure to insulate any field piping all the way to the piping connection inside the unit. Any exposed piping may cause condensate or burns if touched.

10.3 Drain Piping Work

6. DRAIN PIPING WORK

(1) Install the drain piping. (Refer to Fig. 16)

- The drain pipe should be short with a downward slope and should prevent air pockets from forming.
- Watch out for the points in the figure 16 when performing drain work.

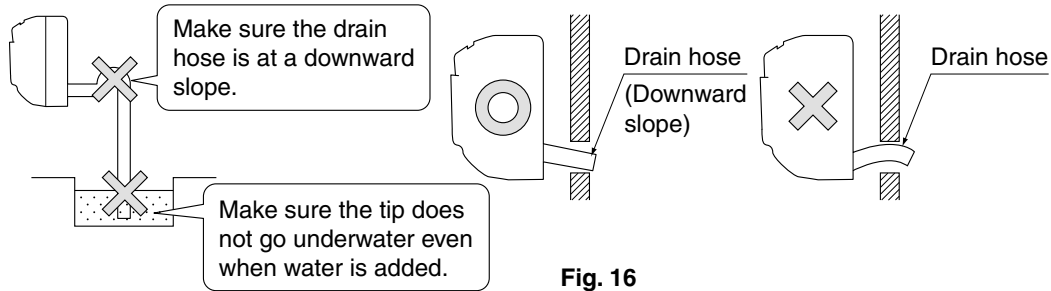
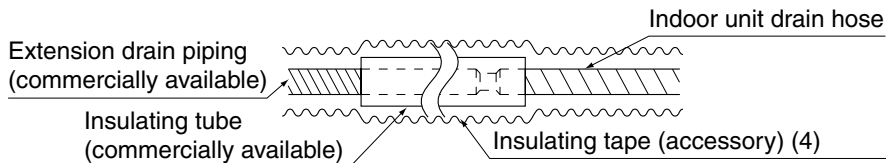


Fig. 16

- When extending the drain hose, use a commercially available drain extension hose, and be sure to insulate the extended section of the drain hose which is indoors. (Refer to Fig. 17)



(See "4. INDOOR UNIT INSTALLATION") Fig. 17

- Make sure the diameter of the extension drain piping is the same as the indoor unit drain hose (hard vinyl chloride, I.D. 9/16") or bigger.
- In case of converging multiple drain pipes, install them referring to Fig. 18.
- Select diameter of drain piping which adapts to the capacity of the unit connected.

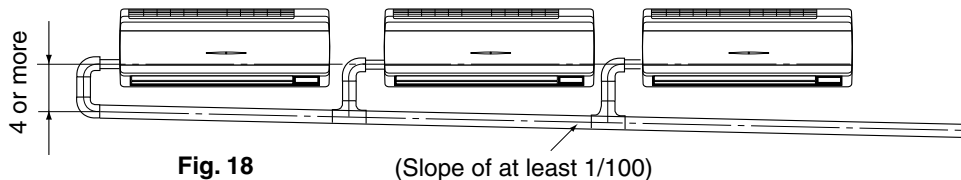


Fig. 18

(2) Make sure the drain works properly.

- After drain work is complete, perform a drain check by opening the front panel, **removing the air filter**, pouring water into the drain pan, and making sure water flows smoothly out of the drain hose. (Refer to Fig. 19)

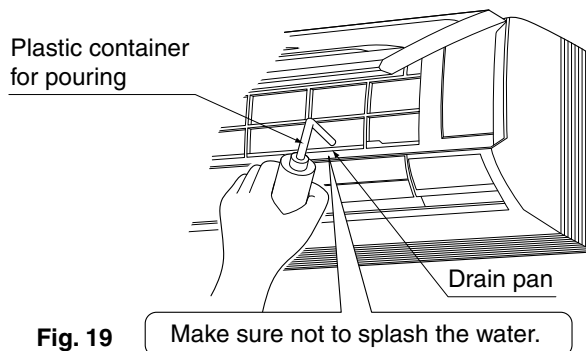


Fig. 19

— CAUTION

Drain Piping Connections: Do not connect the drain piping directly to sewage pipes that smell of ammonia. The ammonia in the sewage might enter the indoor unit through the drain pipes and corrode the heat exchanger. . Never allow water to collect on the drain pipe or it will cause blockage.

10.4 Electrical Wiring Work

- All field supplied parts and materials and electric works must conform to local codes.
- Use copper wire only.
- For electric wiring work, refer to also “WIRING DIAGRAM” attached to the unit.
- For remote controller wiring details, refer to the installation manual attached to the remote controller.
- All wiring must be performed by an authorized electrician.
- This system consists of multiple indoor units. Mark each indoor unit as unit A, unit B..., and be sure the terminal block wiring to the outdoor unit and Branch Selector unit is properly matched. If wiring and piping between the outdoor unit and indoor unit are mismatched, the system may cause a malfunction.
- A circuit breaker capable of shutting down power supply to the entire system must be installed.
- Refer to the installation manual attached to the outdoor unit for the size of power supply wiring connected to the outdoor unit, the capacity of the circuit breaker and switch, and wiring instructions.
- Be sure to ground the air conditioner.

⚠ DANGER

- Do not ground units to water pipes, telephone wires or lightning rods because incomplete grounding could cause a severe shock hazard resulting in severe injury or death, and to gas pipes because a gas leak could result in an explosion which could lead to severe injury or death.
-

7-2 ELECTRICAL CHARACTERISTICS

Model	Units			Power supply		Fan motor	
	Hz	Volts	Voltage range	MCA	MOP	W	FLA
FXAQ07PVJU	60	208/230	Max. 253 Min. 187	0.4	15	40	0.3
FXAQ09PVJU				0.4	15	40	0.3
FXAQ12PVJU				0.4	15	40	0.3
FXAQ18PVJU				0.5	15	43	0.4
FXAQ24PVJU				0.6	15	43	0.5

MCA: Minimum Circuit Amps (A); MOP: Maximum Overcurrent Protective Device (A)
 W: Fan Motor Rated Output (W); FLA: Full Load Amps (A)

SPECIFICATIONS FOR FIELD SUPPLIED FUSES AND WIRE

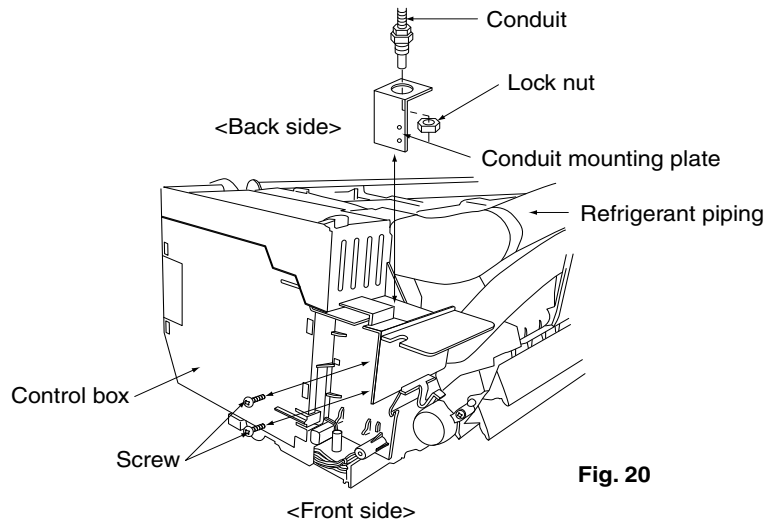
Model	Power supply wiring		Remote controller wiring Transmission wiring	
	Field fuses ⇄	Size	Wire	Size
FXAQ07PVJU	15A	Size must comply with local codes.	2-conductor, stranded, non-shielded	AWG18-16
FXAQ09PVJU				
FXAQ12PVJU				
FXAQ18PVJU				
FXAQ24PVJU				

- Allowable length of transmission wiring and remote controller wiring are as follows.
 - (1) Outdoor unit - Indoor unit: Max. 3280ft. (Total wiring length: 6560ft.)
 - (2) Indoor unit - Remote controller: Max. 1640ft.
- Insulated thickness: 1/16" or more

WIRING EXAMPLE AND HOW TO SET THE REMOTE CONTROLLER

HOW TO CONNECT WIRINGS

- Conduit for power supply wiring
 Unscrew and remove the conduit mounting plate from the control box. **(Refer to Fig. 20)**
 Fix a conduit to the plate with a lock nut and reattach them at original position.



- Power supply wiring and ground wiring
 Unscrew and remove the control box cover.
 Thread the power supply wiring and ground wiring through the included insulating tube (short) (7) and secure them with the included clamp (small) (5). **(Refer to Fig. 21)**
 Connect the power supply wiring and ground wiring to the power supply terminal block (3P).
 When doing this, firmly secure using the included clamp (small) (5) according to the figure. **(Refer to Fig. 22)**

- To avoid a short circuit in the control box, be sure to apply sealing material or putty (not included) to the wiring hole to prevent the infiltration of water as well as insects or other small creatures. Otherwise a short-circuit may occur inside the control box.

CAUTION

- When clamping the wirings, be sure no tension is applied to the wire connections by using the included clamp. Also, when wiring, make sure the cover on the control box fits snugly by arranging the wirings neatly and attaching the control box cover firmly. When attaching the control box cover, make sure no wirings get caught in the edges. Pass wiring through holes to prevent damage to them.
- Make sure the remote controller wiring and transmission wiring between the units, and other electrical wiring do not pass through the same locations outside the unit, separating them by at least 5", otherwise electrical noise (external static) could cause incorrect operation or breakage. Use only specified wire and tightly connect wires to terminals. Be careful wires do not place external stress on terminals. Keep wiring in neat order and so as not to obstruct other equipment such as popping open the control box cover. Make sure the cover closes tight. Incomplete connections could result in overheating, and in worse case, electric shock or fire.

[PRECAUTIONS]

1. Use round crimp-style terminals for connecting wires to the power supply terminal block.

(Refer to Fig. 23)

If unavailable, observe the following points when wiring.

- Do not connect wires of different gauge to the same power supply terminal. (Looseness in the connection may cause overheating.)
- Use the specified electric wire. Connect the wire securely to the terminal. Lock the wire down without applying excessive force to the terminal. (Tightening torque: 0.97ft.lbf ±10 %)

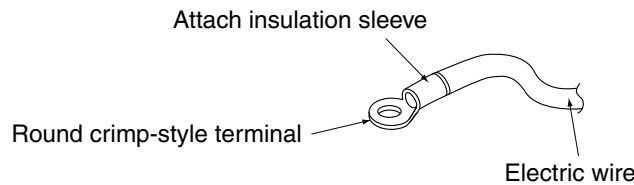


Fig. 23

2. **Tightening torque for the terminal screws.**

- Use the correct screwdriver for tightening the terminal screws. If the blade of screwdriver is too small, the head of the screw might be damaged, and the screw will not be properly tightened.
- If the terminal screws are tightened too hard, screws might be damaged.
- Refer to the table below for the tightening torque of the terminal screws.

Terminal	Size	Tightening torque (ft-lbf)
Remote controller, Transmission wiring and Forced off terminal block (6P)	M3.5	0.58 – 0.72
Power supply and Ground terminal block (3P)	M4	0.87 – 1.06

3. Do not connect wires of different gauge to the same ground terminal. Looseness in the connection may lessen protection.
4. Keep transmission wiring at least 5" away from power supply wiring. The equipment may malfunction if subjected to electrical (external) noise.
5. For remote controller wiring, refer to the "INSTALLATION MANUAL OF REMOTE CONTROLLER" attached to the remote controller.

WIRING EXAMPLE

- Fit the power supply wire of each unit with a switch and fuse as shown in the drawing.

COMPLETE SYSTEM EXAMPLE (3 systems)

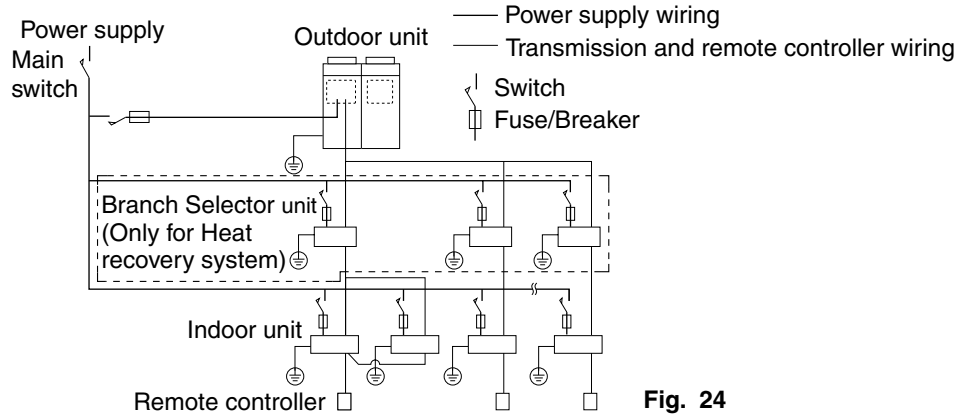


Fig. 24

1. When using 1 remote controller for 1 indoor unit. (Normal operation)

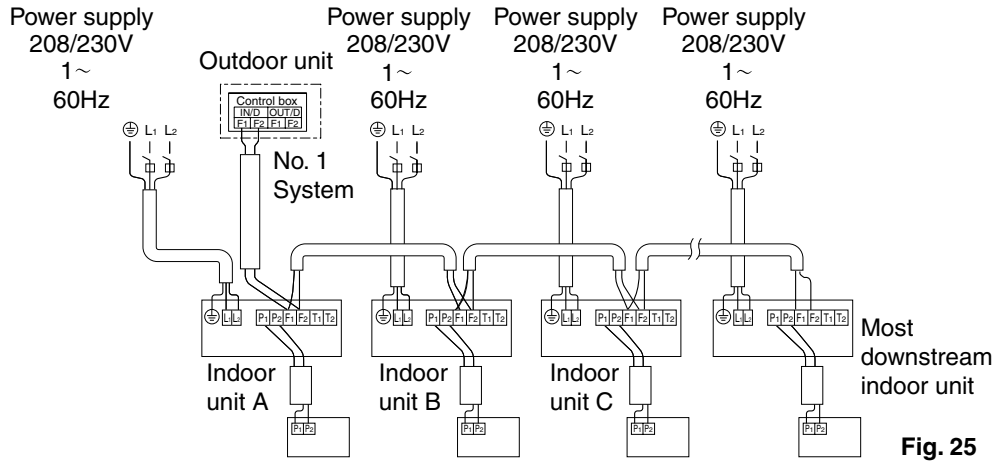
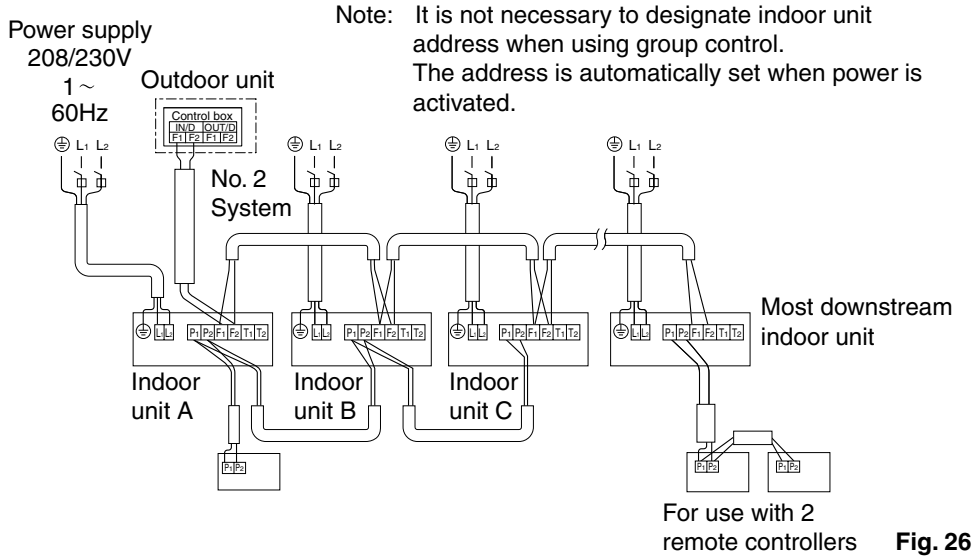
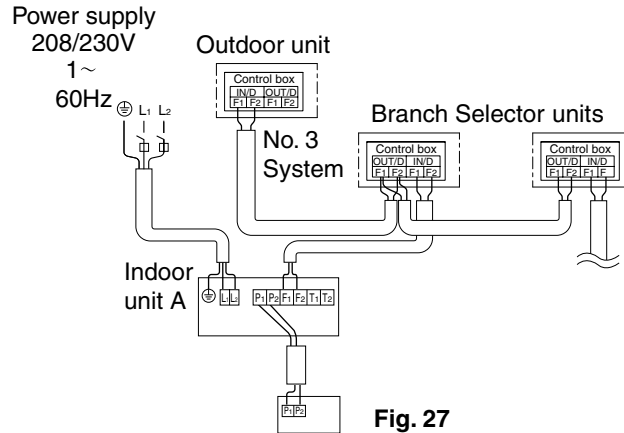


Fig. 25

2. For group control or use with 2 remote controllers



3. When including BS unit



- NOTE**
1. A single switch can be used to supply power to units on the same system. However, branch switches and branch circuit breakers must be selected carefully.
 2. Do not ground the equipment on gas pipes, water pipes or lightning rods, or crossground with telephones. Improper grounding could result in electric shock.

CONTROL BY 2 REMOTE CONTROLLERS (CONTROLLING 1 INDOOR UNIT BY 2 REMOTE CONTROLLERS)

- When using 2 remote controllers, one must be set to “MAIN” and the other to “SUB”. For details, refer to the installation manual attached to the remote controller.

Wiring Method (See “7. ELECTRIC WIRING WORK”)

- (1) Remove the control box cover.
- (2) Add the remote control 2 (sub) to the terminal block (6P) for remote controller (P1, P2) in the control box.
(There is no polarity.) (Refer to Fig. 26 and section 7-3 for the wiring size.)

COMPUTERISED CONTROL (FORCED OFF AND ON/OFF OPERATION)

- (1) Wire specifications and how to perform wiring
 - Connect the input from outside to terminals T1 and T2 of the terminal block (6P).

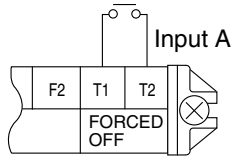


Fig. 28

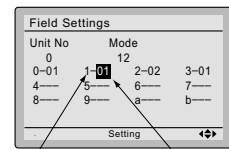
Wire specification	Sheathed vinyl cord or cable (2 wire)
Gauge	AWG18-16
Length	Max. 328 ft.
External terminal	Contact that can ensure the minimum applicable load of 15V DC, 1 mA.

- (2) Actuation
 - The following table explains FORCED OFF and ON/OFF OPERATIONS in response to Input A.

FORCED OFF	ON/OFF OPERATION
Input “ON” stops operation (impossible by remote controllers).	Input OFF → ON turns ON unit.
Input OFF enables control by remote controller.	Input ON → OFF turns OFF unit.

- (3) How to select FORCED OFF and ON/OFF OPERATION

- Turn the power on and then use the remote controller to select operation.
- Set the remote controller to the field set mode. For details, refer to the “HOW TO SET IN THE FIELD”, in the remote controller manual.
- When in the field set mode, select mode No. 12, then set the FIRST CODE (switch) NO. to “1”. Then set SECOND CODE (position) NO. to “01” for FORCED OFF and “02” for ON/OFF OPERATION.
(FORCED OFF at factory set) (Refer to Fig. 29)



FIRST CODE NO. SECOND CODE NO.

Fig. 29

CENTRALIZED CONTROL

- For centralized control, it is necessary to designate the group No. For details, refer to the manual of each optional controllers for centralized control.

10.5 Field Settings

- (1) Make sure the control box covers are closed on the indoor and outdoor units.
- (2) Field settings must be made from the remote controller in accordance with installation conditions.
- Settings can be made by changing the “Mode No”, “FIRST CODE NO.” and “SECOND CODE NO.”. Refer to the installation manual attached to the remote controller.
 - The “Field Settings” included with the remote controller lists the order of the settings and method of operation.
 - * Setting is made in all units in a group. To set for individual indoor units or to check the setting, use the mode Nos. (with “2” in upper digit) in parentheses ().

SETTING AIR FILTER SIGN

- Remote controllers are equipped with liquid crystal display air filter signs to display the time to clean air filters.
- Change the SECOND CODE NO. according to Table 3 depending on the amount of dirt or dust in the room.
(SECOND CODE NO. is factory set to “01” for air filter contamination-light)

Table 3

Setting	Spacing time of display air filter sign	Mode No.	FIRST CODE NO.	SECOND CODE NO.
Air filter contamination-light	Approx. 200 hours	10 (20)	0	01
Air filter contamination-heavy	Approx. 100 hours			02

SETTING AIRFLOW RATE INCREASE MODE

- It is possible to raise set airflow (HIGH and LOW) from the field. Change the SECOND CODE NO. as shown in Table 4 to suit your needs.
(SECOND CODE NO. is factory set to “01” for Standard.)

Table 4

Setting	Mode No.	FIRST CODE NO.	SECOND CODE NO.
Standard	13 (23)	0	01
A little increase			02
Increase			02

(When using wireless remote controllers)

- When using wireless remote controllers, wireless remote controller address setting is necessary. Refer to the installation manual attached to the wireless remote controller for setting instructions.

11. Test Run

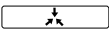
Make sure the control box covers are closed on the indoor and outdoor units.

Refer to the installation manual of the outdoor unit.

- The operation lamp of the remote controller will flash when a malfunction occurs. Check the malfunction code on the liquid crystal display to identify the point of trouble. An explanation of malfunction codes and the corresponding trouble is provided in the installation manual of the outdoor unit.

If any of the items in Table 5 are displayed, there may be a problem with the wiring or power, so check the wiring again.

Table 5

Remote controller display	Content
“  ” (under centralized control) is lit up	<ul style="list-style-type: none"> • There is a short circuit at the FORCED OFF terminals (T1, T2).
“U4” is lit up “UH” is lit up	<ul style="list-style-type: none"> • The power on the outdoor unit is off. • The outdoor unit has not been wired for power supply. • Incorrect wiring for the transmission wiring and/or FORCED OFF wiring. • The transmission wiring is cut.
No display	<ul style="list-style-type: none"> • The power on the indoor unit is off. • The indoor unit has not been wired for power supply. • Incorrect wiring for the remote controller wiring, the transmission wiring, and/or the FORCED OFF wiring. • The remote controller wiring is cut.

- If “U3” is lit up, the malfunction code shows the test run has not been performed yet.

12. Accessories

12.1 Optional Accessories (For Controls)

Refer to booklet of “Controls”.



● Daikin products are manufactured for export to numerous countries throughout the world. Prior to purchase, please confirm with your local authorized importer, distributor and/or retailer whether this product conforms to the applicable standards, and is suitable for use, in the region where the product will be used. This statement does not purport to exclude, restrict or modify the application of any local legislation.

- Ask a qualified installer or contractor to install this product. Do not try to install the product yourself. Improper installation can result in water or refrigerant leakage, electrical shock, fire or explosion.
- Use only those parts and accessories supplied or specified by Daikin. Ask a qualified installer or contractor to install those parts and accessories. Use of unauthorized parts and accessories or improper installation of parts and accessories can result in water or refrigerant leakage, electrical shock, fire or explosion.
- Read the User's Manual carefully before using this product. The User's Manual provides important safety instructions and warnings. Be sure to follow these instructions and warnings.

If you have any inquiries, please contact your local importer, distributor and/or retailer.



Daikin, Daikin AC Absolute Comfort, and its design, VRV, REFNET, and Quaternity are trademarks of Daikin Industries, LTD. All rights reserved.

Cautions on product corrosion

1. Air conditioners should not be installed in areas where corrosive gases, such as acid gas or alkaline gas, are produced.
2. If the outdoor unit is to be installed close to the sea shore, direct exposure to the sea breeze should be avoided. If you need to install the outdoor unit close to the sea shore, contact your local distributor.



JMI-0107

Organization:
DAIKIN INDUSTRIES, LTD.
AIR CONDITIONING MANUFACTURING DIVISION

Scope of Registration:
THE DESIGN/DEVELOPMENT AND MANUFACTURE OF COMMERCIAL AIR CONDITIONING, HEATING, COOLING, REFRIGERATING EQUIPMENT, HEATING EQUIPMENT, RESIDENTIAL AIR CONDITIONING EQUIPMENT, HEAT RECLAIM VENTILATION, AIR CLEANING EQUIPMENT, COMPRESSORS AND VALVES.



JQA-1452

Organization:
DAIKIN INDUSTRIES
(THAILAND) LTD.

Scope of Registration:
THE DESIGN/DEVELOPMENT AND MANUFACTURE OF AIR CONDITIONERS AND THE COMPONENTS INCLUDING COMPRESSORS USED FOR THEM



All of the Daikin Group's business facilities and subsidiaries in Japan are certified under the ISO 14001 international standard for environment management.

Dealer

DAIKIN AC (AMERICAS), INC.

1645 Wallace Drive, Suite 110
Carrollton, TX75006

info@daikinac.com

www.daikinac.com

© 2012 Daikin Industries, LTD.

● Specifications, designs and other content appearing in this brochure are current as of February 2012 but subject to change without notice.