



# Replacement parts

**⚠ WARNING** Replacement parts must be purchased through a local Weil-McLain distributor. When ordering, specify boiler model and size and include description and part number of replacement part. Results from using modified or other manufactured parts will not be covered by warranty and may damage boiler or impair operation.

**NOTICE** Weil-McLain part numbers are found in Weil-McLain Boilers and Controls Repair Parts Lists.




**⚠ WARNING** **The boiler contains ceramic fiber materials.** Use care when handling these materials per instructions on page 93 of this manual. Failure to comply could result in severe personal injury.

## Reinstall boiler jacket front door after startup or servicing

**⚠ WARNING** Inspect boiler jacket front door gaskets and reinstall boiler jacket front door after start or servicing. The boiler front door must be securely fastened to the boiler to prevent boiler from drawing air from inside the boiler room. This is particularly important if the boiler is located in the same room as other appliances. Failure to keep the door securely fastened could result in severe personal injury or death.

**Figure 116** Propane conversion kits and instructions

**⚠ WARNING** The conversion kits listed below are only for use with Ultra Series 3 boilers. For series 1 or series 2 boilers, refer to the boiler manual or contact Weil-McLain for the correct parts.

Natural to propane conversion — <b>SERIES 3 BOILERS ONLY</b> (not required for Ultra-399 — adjustment is made with throttle screw, not with orifice)							
Sea level (to 5,500 feet altitude)				High altitude (above 5,500 feet)			
Model	Kit part #	Kit location	Instructions	Model	Kit part #	Kit location	Instructions
Ultra-80	383-501-020	<b>SPECIAL ORDER</b>	 In kit only	Ultra-80LP	383-500-644	<b>SPECIAL ORDER</b>	See page 44 or kit
Ultra-105	540-100-001 Supplied with boiler		See page 44	Ultra-105	383-500-645	<b>SPECIAL ORDER</b>	See page 44 or kit
Ultra-155	383-500-115 Supplied with boiler		See page 45	Ultra-155	383-500-646	<b>SPECIAL ORDER</b>	See page 45 or kit
Ultra-230	383-500-120 Supplied with boiler		See page 45	Ultra-230	383-500-647	<b>SPECIAL ORDER</b>	See page 45 or kit
Ultra-299	540-202-832 Supplied with boiler		See page 45	Ultra-299	383-500-394	<b>SPECIAL ORDER</b>	See page 45 or kit
Propane to natural conversion							
Ultra-80	383-501-021	<b>SPECIAL ORDER</b>	 In kit only	Contact factory			
 Boilers marked with this symbol require special installation procedures. Do not use the instructions in this manual — use only the instructions supplied in the conversion kit.							



# Replacement parts *(continued)*

**Figure 117** Miscellaneous parts and kits

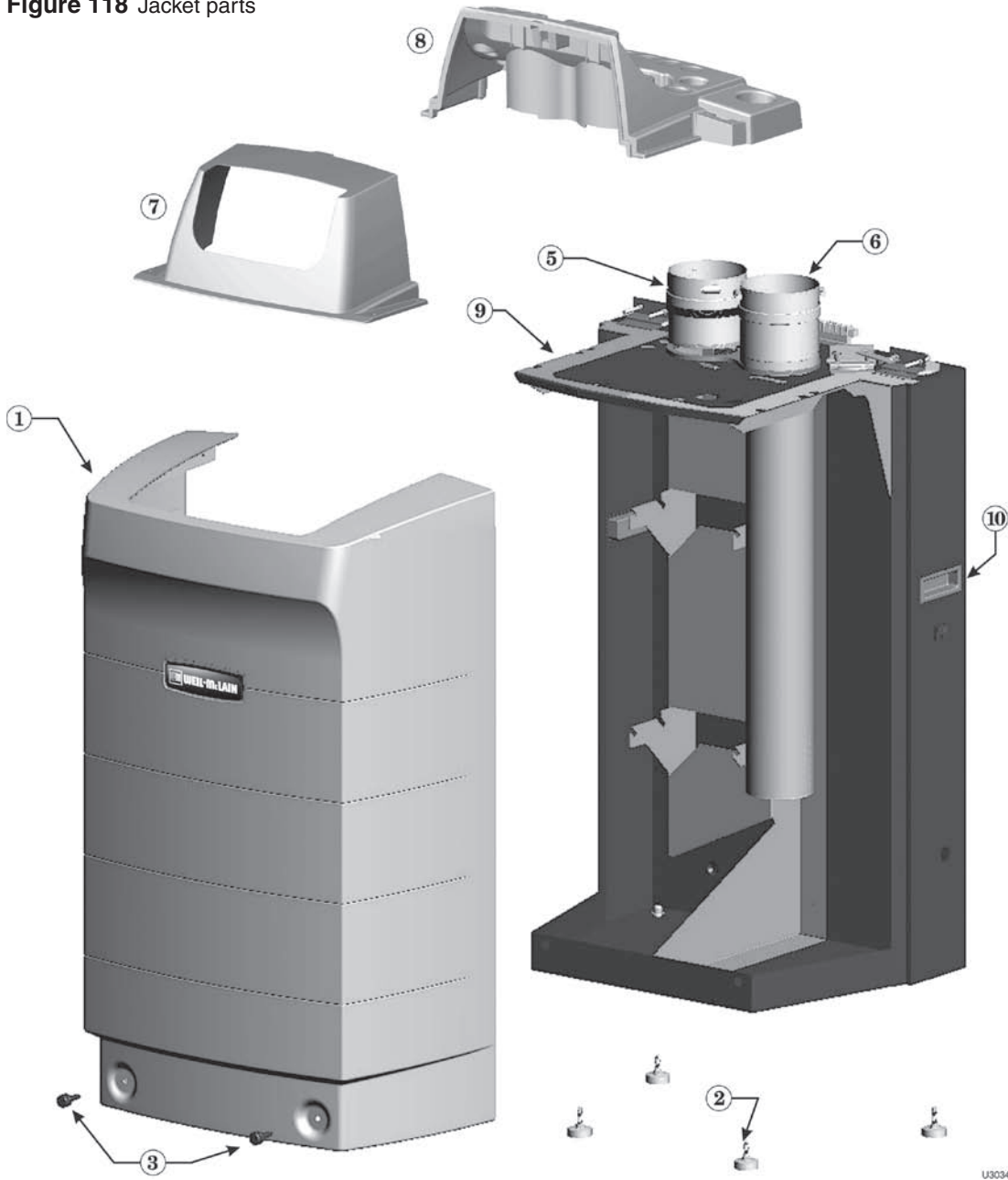
Item	Description	Part Number
<b>CHEMICALS</b>		
1	Antifreeze, aluminum-safe, Sentinel X500 . . . . .	592-900-004
	Corrosion inhibitor, Sentinel X100 . . . . .	592-900-002
	Inhibitor quick-test kit . . . . .	592-900-005
	Cleaner, Sentinel X400 . . . . .	592-900-003
<b>BOILER ACCESSORIES AND CONTROLS</b>		
2	Boiler circulator, without flanges	Ultra-80/105      Taco Model 007 Ultra-155/230/299      Taco Model 0014 Ultra-399      Taco Model 2400-20
		511-405-113 511-405-133 511-405-135
3	Circulator hardware kit – inlet (1 flange, 2 nuts, 2 screws, and 1 gasket)	
		1”      381-354-525 1¼”      381-354-526 1½”      381-354-531
4	Low water cut-off with test button, kit	511-100-005
5	Heat exchanger cleaning tool	591-706-200
6	Annual maintenance kit (Igniter, igniter gasket, cover plate gasket, cover plate insulation, burner gasket, flue sensor gasket and venturi gasket)	Ultra-80/105      383-500-605 Ultra-155 – 399      383-500-620
7	Pressure relief valve, ASME 30 PSI, 3/4” NPT male	Ultra-80 – 299      383-500-095 Ultra-80 – 399      511-546-921
8	Ultra boiler wall-mount kit	389-900-180
<b>VENT / AIR TERMINATIONS</b>		
9	Vent/air termination wall penetrate cover plate (2 required for each boiler)	383-500-100
10	Vent termination bird screen (2 required)	3” vent (Ultra-80/105/155)      383-500-105 4” vent (Ultra-230/299/399)      383-500-110
11	Weil-McLain sidewall vent/air cap termination kit — Includes W-M sidewall vent/air termination cap, inside and outside cover plates, and mounting hardware; openings are sized for PVC pipe. (3” is shipped with Ultra-80 – 155; 4” is shipped with Ultra-230 – 399)	
		3” kit      383-500-397 4” kit      383-500-398
12	Concentric vent kit (for sidewall or vertical termination)	3” PVC only      383-500-350
<b>CONDENSATE HANDLING</b>		
13	Condensate neutralizer kit	383-500-631

Go to [www.weil-mclain.com](http://www.weil-mclain.com) to locate Weil-McLain distributors



# Replacement parts *(continued)*

Figure 118 Jacket parts



U3034

Item	Description	Boiler models	Part number
1	Jacket front door	All	383-500-135
2	Boiler leg kit (4 required)	All	383-500-065
3	Knurled head screw for jacket front door (2 required)	All	383-500-320
4	Knurled head screw clip-on receptacle (not shown) (2 required)	All	383-500-180
5	Air adapter kit (Includes adapter, gasket and mounting bracket)	3"	80/105 383-500-655
		3"	155 383-500-145
		4"	230-399 383-500-150

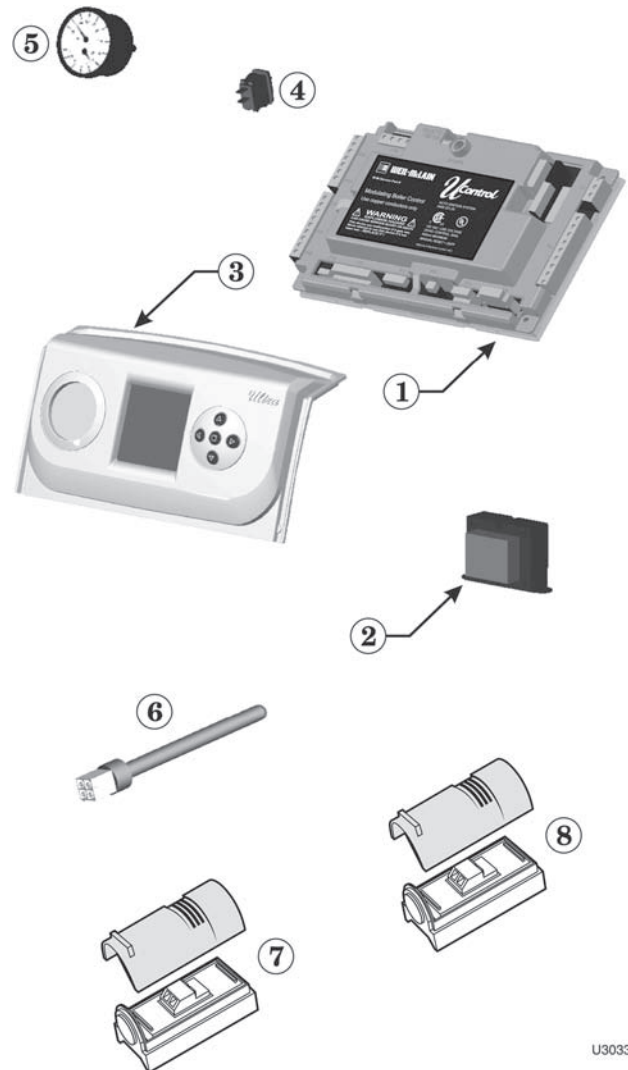
Item	Description	Boiler models	Part number
6	Flue outlet pipe adapter	3"	80/105 560-900-001
		3"	155 383-500-656
		4"	230-399 383-500-657
7	Top cover, front	All	383-500-607
8	Top cover, rear	80/230	383-500-608
		299/399	383-500-609
9	Door Gasket replacement kit (not shown)	All	383-500-610
10	Handle (2 required)	All	383-500-611

Go to [www.weil-mclain.com](http://www.weil-mclain.com) to locate Weil-McLain distributors

# Replacement parts *(continued)*

**Figure 119** Controls

Item	Description	Part Number
1	Ultra U-Control module	383-500-658
2	Transformer, 120v/24v	383-500-628
3	Display board assembly (includes plastic and display screen)	383-500-659
4	On/off power switch	383-500-205
5	Pressure/temperature gauge assembly (Includes temperature and pressure sensor)	383-500-630
6	Flue temperature sensor replacement kit	383-500-600
7	System temperature sensors (2 required)	383-500-601
8	Outdoor temperature sensor	510-312-218
9	Display to U-Control wire harness (not shown)	383-500-633
10	Upper line voltage wire harness (male) (not shown)	383-500-634
11	Lower line voltage wire harness (female) (not shown)	383-500-635
12	Upper low voltage wire harness (male) (not shown)	383-500-636
13	Lower low voltage wire harness (female) (not shown)	383-500-637
14	120 volt, 3-wire receptacle (not shown)	383-500-638
15	Ultra U-Control module fuses (not shown) F1 - 3-amp, fast-blow ATO (5 fuses) F2 - 12-amp, slow-blow AG (5 fuses)	383-500-603 383-500-604
16	Jumper for low voltage terminal blocks, (5 jumpers) (not shown)	383-500-641
17	Ultra U-Control terminal block kit, (includes 1 high voltage terminal block, 6 low voltage terminal blocks, and U-Control screwdriver) (not shown)	383-500-642
18	24-V LWCO kit with quick connect harness (not shown)	511-100-005



U3033

Go to [www.weil-mclain.com](http://www.weil-mclain.com) to locate Weil-McLain distributors



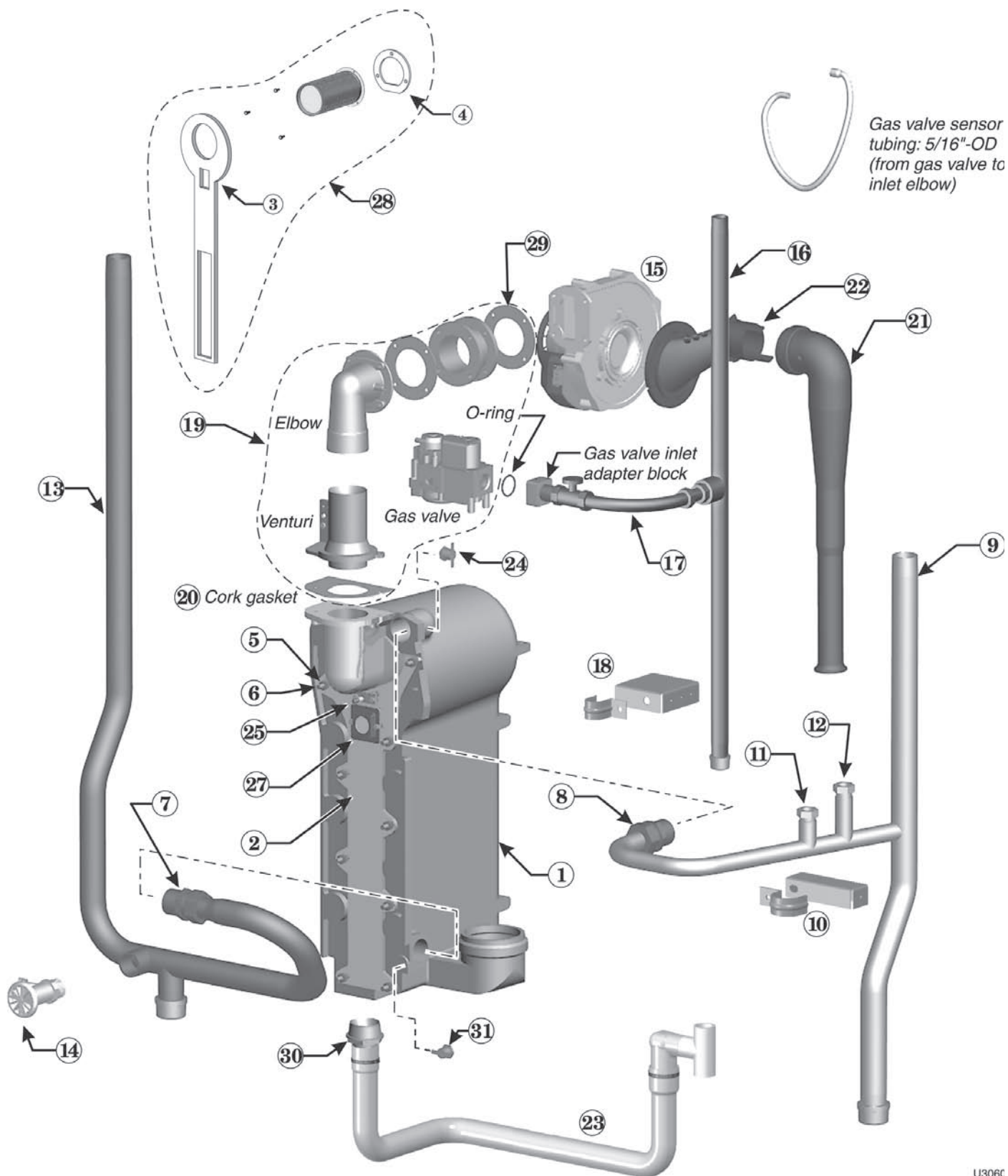
## Replacement parts *(continued)*

**Figure 120** Heat exchanger and piping — Ultra-80 and -105

Item	Description	Boiler Models	Part Number
1	Heat exchanger replacement kit - Heat exchanger, cover plate, burner, electrode, water sensors, compression fittings, condensate fitting, gaskets, and hardware	80NG 80LP 105	383-500-612 383-500-613 383-500-614
2	Cover plate replacement kit - Cover plate, cover plate gasket, burner gasket, and hardware	80/105	383-501-022
3	Cover plate gasket/insulation	80/105	591-200-000
4	Burner gasket	80/105	590-300-000
5	Cover plate studs, M6, 1 pitch	All	560-340-598
6	Cover plate nuts, M6, 1 pitch	All	561-928-449
7	Water compression fitting, 28 mm	80-230	383-500-260
8	Water compression fitting, 22 mm	80/105	564-100-002
9	Supply water pipe assembly - Pipe, temperature well, check valve, cap (assembled) & compression fitting	80/105	383-501-036
10	Supply water lower pipe clamp and hardware	80/105	383-500-615
11	1/2" NPT well for temperature gauge	All	383-500-270
12	Pressure/temperature gauge check valve	All	383-500-275
13	Return water pipe assembly - Pipe, drain valve, cap (assembled) & compression fitting	80/105	383-501-037
14	Boiler drain valve, 3/4" NPT	All	511-246-392
15	Blower assembly kit - Blower, gasket, and hardware	80/105	383-501-027
16	Gas pipe	80/105	560-907-682
17	Flexible gas line section and shut-off valve	80/105	383-500-616
18	Gas Pipe lower pipe clamp and hardware	80/105	383-500-617
19	Gas valve/venturi kit - Gas valve, venturi, 90° elbow, gaskets, and hardware (assembled) (For LP boilers, make sure to reinstall the existing propane orifice)	80 105	383-501-029 383-501-030
20	Gasket cork, for in between gas valve venturi & burner inlet	All	590-317-299
21	Air silencer kit - Air silencer and gasket	80/105	383-501-026
22	Air silencer adapter kit - Air silencer adapter and hardware	80/105	383-501-025
23	Condensate trap kit - Condensate trap, hose clamps, pvc fittings, and gasket	80/105	383-501-031
24	Return/supply sensor kit - (1) sensor	All	383-500-602
25	Ignition electrode kit - Ignition electrode, suppressor, gasket, and hardware	All	383-500-045
	Ignition electrode gasket ONLY	All	511-330-253
	Igniter and gasket	All	383-500-045
26	Ignition cable kit (not shown) - Ignition cable, suppressor, and wire tie	All	383-500-619
27	Inspection glass kit - Bracket, glass, gasket and hardware	All	383-500-020
28	Burner replacement kit - Burner, gaskets and hardware	80NG 80LP 105	383-501-032 383-501-033 383-501-034
29	Gasket rubber, blower	80/105	590-300-003
30	Condensate fitting	80/105	561-200-000

# Replacement parts *(continued)*

**Figure 121** Heat exchanger and piping — Ultra-80 and -105

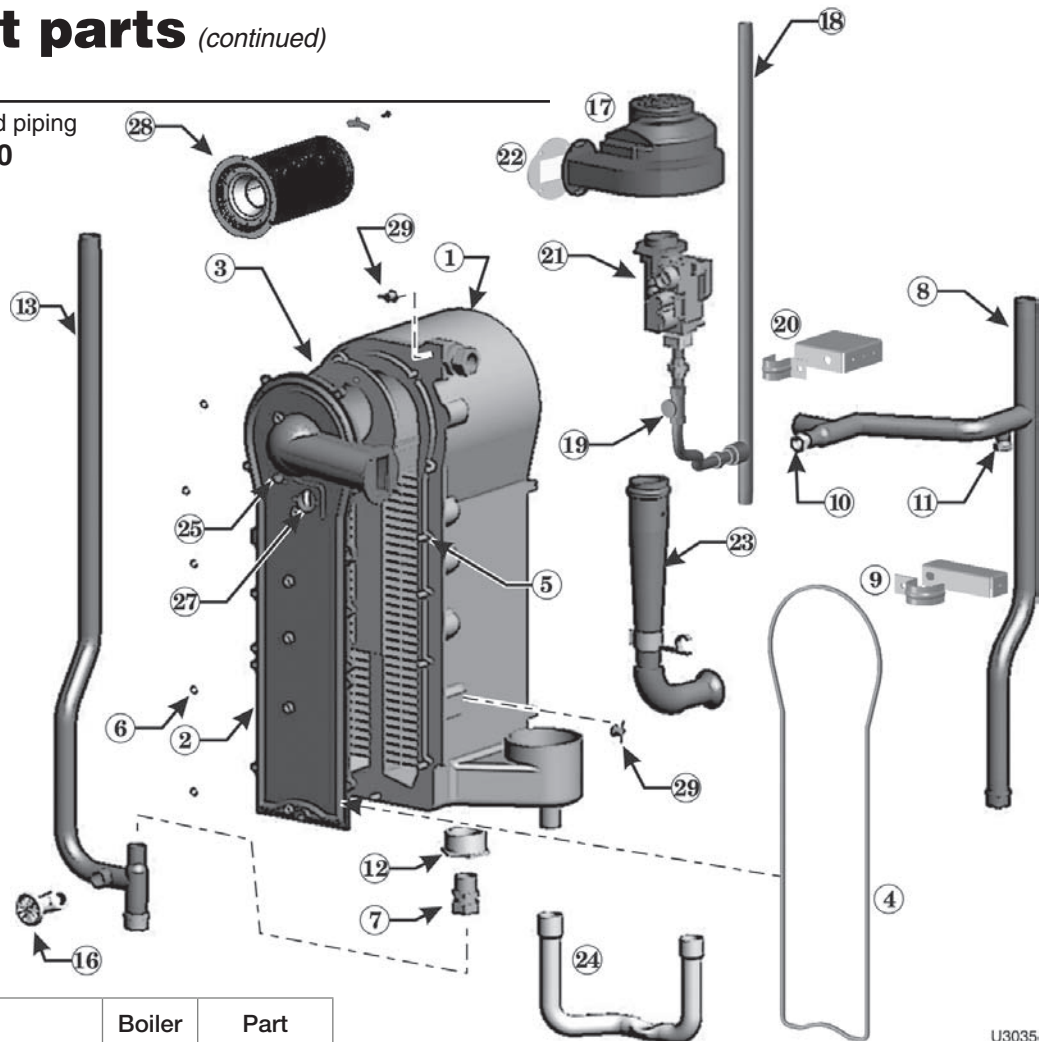


Go to [www.weil-mclain.com](http://www.weil-mclain.com) to locate Weil-McLain distributors



# Replacement parts *(continued)*

**Figure 122** Heat exchanger and piping  
**Ultra-155 & -230**



U3035

Item	Description	Boiler models	Part number
1	Heat exchanger replacement kit - Heat exchanger, cover plate, burner, electrode, water sensors, compression fittings, condensate fitting, gaskets, and hardware	155 230	383-500-621 383-500-622
2	Cover plate replacement kit - Cover plate, cover plate gasket, burner gasket, and hardware	155/230	383-500-395
3	Cover plate insulation	155/230	383-500-250
4	Cover plate gasket	155/230	383-500-255
5	Cover plate studs, M6, 1 pitch	All	560-340-598
6	Cover plate nuts, M6, 1 pitch	All	561-928-449
7	Water compression fitting, 28 mm	80-230	383-500-260
8	Supply water pipe assembly - Pipe, temperature well, check valve, cap (assembled) & compression fitting	155/230	383-500-265
9	Supply water lower pipe clamp and hardware	155/230	383-500-615
10	1/2" NPT well for temperature gauge	All	383-500-270
11	Pressure/temperature gauge check valve	All	383-500-275
12	Return water bushing, 1 1/4" BSP x 1" BSP (not use on Ultra-299)	155/230	383-500-280
13	Return water pipe assembly - Pipe, drain valve, cap (assembled) & compression fitting	155/230	383-500-285
16	Boiler drain valve, 3/4" NPT	All	511-246-392
17	Blower assembly kit - Blower, gasket, and hardware	155 230	383-500-035 383-500-040

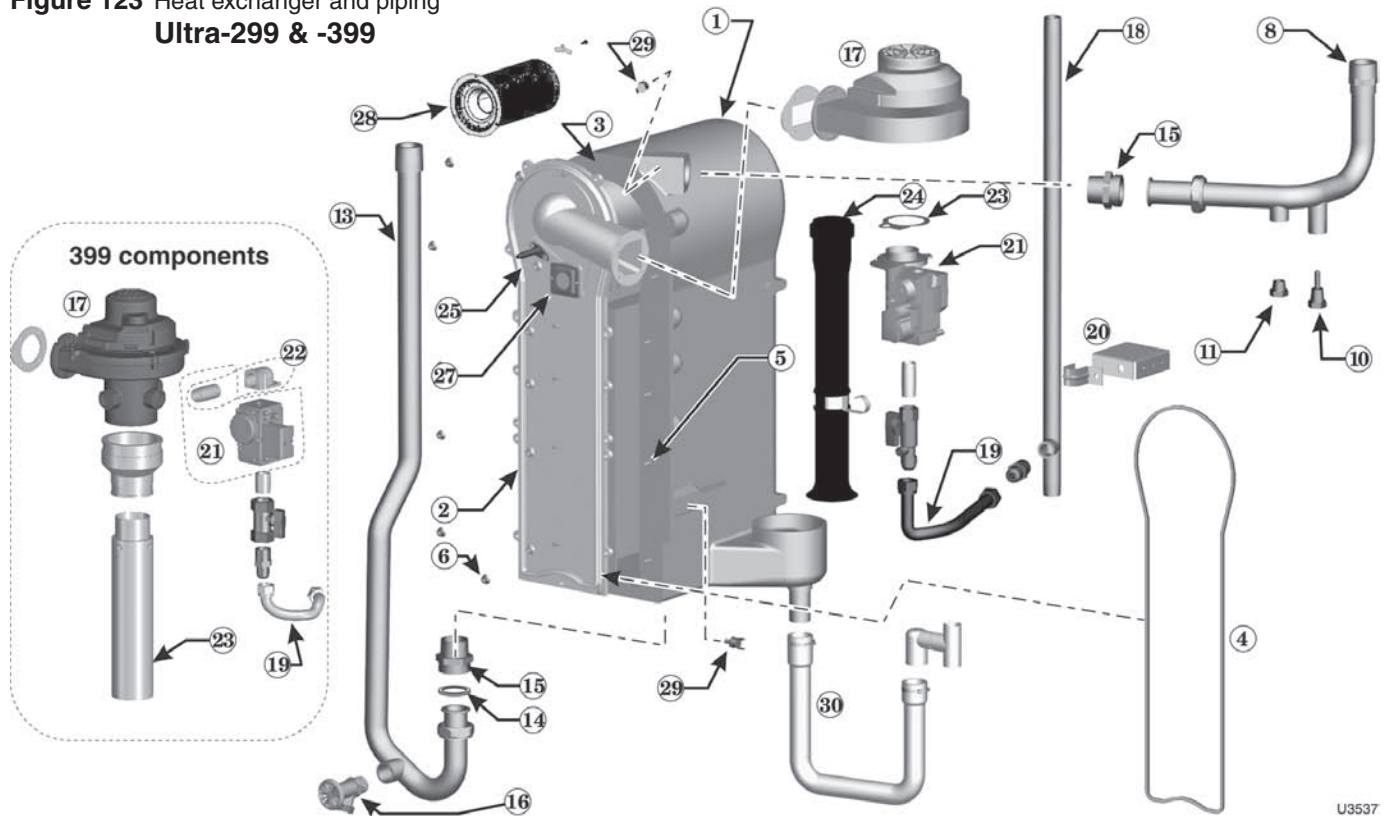
Item	Description	Boiler models	Part number
18	Gas pipe	155/230	560-907-683
19	Flexible gas line section and shut-off valve	155/230	383-500-624
20	Gas pipe lower clamp and hardware	155/230	383-500-617
21	Gas valve/venturi kit - Gas valve, venturi, adapter block, O-ring and hardware (assembled) ke sure to reinstall the existing propane orifice)	155 230	383-500-025 383-500-030
22	Gasket cork, for in between gas valve venturi & burner inlet	All	590-317-299
23	Air silencer kit - Air silencer and gasket	155/230	383-500-295
24	Condensate trap kit - Condensate trap, hose clamps, pvc fittings, and gasket	155 230	383-501-031 383-500-060
25	Ignition electrode kit - Ignition electrode, suppressor, gasket, and hardware	All	383-500-045
	Ignition electrode gasket ONLY		511-330-253
	Ignition electrode and gasket		511-330-253
26	Ignition cable kit (not shown) - Ignition cable, suppressor, and wire tie	All	383-500-619
27	Inspection glass kit - Bracket, glass, gasket and hardware	All	383-500-020
28	Burner replacement kit - Burner, gaskets and hardware	155 230	383-500-085 383-500-090
29	Return/supply sensor kit - (1) sensor	All	383-500-602

Go to [www.weil-mclain.com](http://www.weil-mclain.com) to locate Weil-McLain distributors



# Replacement parts *(continued)*

**Figure 123** Heat exchanger and piping  
**Ultra-299 & -399**



U3537

Item	Description	Boiler models	Part number
1	Heat exchanger replacement kit - Heat exchanger, cover plate, burner, electrode, water sensors, compression fittings, condensate fitting, gaskets, and hardware	299/399	383-500-623
2	Cover plate replacement kit - Cover plate, cover plate gasket, burner gasket, and hardware	299/399	383-500-395
3	Cover plate insulation	299/399	383-500-250
4	Cover plate gasket	299/399	383-500-255
5	Cover plate studs, M6, 1 pitch	All	560-340-598
6	Cover plate nuts, M6, 1 pitch	All	561-928-449
8	Supply water pipe assembly - Pipe, temperature well, check valve, cap (assembled) & compression fitting	299/399	383-500-380
10	1/2" NPT well for temperature gauge	All	383-500-270
11	Pressure/temperature gauge check valve	All	383-500-275
13	Return water pipe assembly - Pipe, drain valve, cap (assembled) & compression fitting	299/399	383-500-385
14	Supply/Return water piping square cut EPDM gasket (Ultra-299 only)	299/399	562-248-743
15	Fitting, double nipple for supply/return	299/399	561-326-828
16	Boiler drain valve, 3/4" NPT	All	511-246-392
17	Blower assembly kit - Blower, gasket, and hardware	299 399	383-500-360 383-500-650
18	Gas pipe	299/399	560-907-679
19	Flexible gas line section and shut-off valve	299 399	560-900-016 383-500-653

Item	Description	Boiler models	Part number
20	Gas pipe lower clamp and hardware	299	383-500-625
21	Gas valve/venturi kit - Gas valve, venturi, adapter block, O-ring and hardware (assembled) (For 310LP boilers, make sure to reinstall the existing propane orifice)	299	383-500-390
	Gas valve kit - Gas valve, venturi, adapter block, O-ring and hardware (assembled)	399	383-500-652
22	Gas valve outlet adapter/nipple kit	399	383-500-651
23	Gasket cork, for in between gas valve venturi & burner inlet	All	590-317-310
24	Air silencer kit - Air silencer and gasket	299 399	383-500-355 383-500-654
25	Ignition electrode kit - Ignition electrode, suppressor, gasket, and hardware	All	383-500-045
	Ignition electrode gasket ONLY		511-330-253
	Ignition electrode and gasket		511-330-253
26	Ignition cable kit (not shown) - Ignition cable, suppressor, and wire tie	All	383-500-619
27	Inspection glass kit - Bracket, glass, gasket and hardware	All	383-500-020
28	Burner replacement kit - Burner, gaskets and hardware	299	383-500-407
29	Return/supply sensor kit - (1) sensor	All	383-500-602
30	Condensate trap kit - Condensate trap, hose clamps, pvc fittings, and gasket	299	383-500-626