



GIGE VISION & CAMERA LINK SWIR CAMERAS

Goldeye G/CL

User Guide

V4.5.4

FW 03.06.49d19afc

**Quick links**

- [Goldeye G/CL cameras at a glance](#) on page 15
- [Contact us](#) on page 17
- [Contents](#) on page 18

Read before use

EN - English

Safety

Before using the camera, read these safety instructions. Observe the warnings at all times. Use the camera only as stated in the [Intended use](#) on page 35.

**CAUTION****Risk of burns**

A camera in operation can reach temperature levels which could cause burns.

**CAUTION****Injury by falling cameras or lenses**

A falling camera or lens can cause injury.

**CAUTION****Risk of cuts by sharp edges of lens mounts**

The threads of the lens mount can have sharp edges.

Intended use

Intended use of Allied Vision product is the integration into vision systems by professionals. All Allied Vision product is sold in a B2B setting.

DA - Dansk

Sikkerhed

Læs sikkerhedsanvisningerne, før kameraet bruges. Overhold alle advarsler. Brug kun kameraet som anført i [Intended use](#) på side 35.



FORSIGTIG

Forbrændingsfare

Når kameraet bruges, kan det blive meget varmt og forårsage forbrændinger.



FORSIGTIG

Kvæstelser, hvis kameraet eller linser falder ned

Falder kameraet eller linsen ned, kan dette forårsage kvæstelser.



FORSIGTIG

Fare for snitsår på linsemodulets skarpe kanter

Linsemodulets gevind kan have skarpe kanter.

Tilsløbet brug

Allied Vision produktets tilsløbet brug er en indbygning i et visionssystem, udført af fagfolk. Alle Allied Vision produkter sælges i B2B.

DE - Deutsch

Sicherheit

Bevor Sie die Kamera benutzen, lesen Sie diese Sicherheitshinweise. Beachten Sie diese Hinweise immer. Verwenden Sie die Kamera nur wie beschrieben in [Intended use](#) auf Seite 35.



VORSICHT

Gefahr von Verbrennungen

Im Betrieb kann die Kamera Temperaturen erreichen, die zu Verbrennungen führen.



VORSICHT

Verletzung durch fallende Kameras oder Objektive

Eine fallende Kamera oder ein fallendes Objektiv kann Verletzungen verursachen.



VORSICHT

Schnitte durch scharfkantige Objektivgewinde

Objektivgewinde können scharfe Kanten haben.

Bestimmungsgemäßer Gebrauch

Allied Vision Produkte sind bestimmt für die Integration in Bildverarbeitungssysteme durch Fachpersonal. Alle Allied Vision Produkte werden in einer B2B-Umgebung verkauft.

ES - Español

Seguridad

Antes de utilizar la cámara lea estas instrucciones de seguridad. Observe las advertencias en todo momento. Utilice la cámara solo tal y como se estipula en el [Intended use](#) en la página 35.



ATENCIÓN

Riesgo de quemaduras

Una cámara en funcionamiento puede alcanzar temperaturas que podrían provocar quemaduras.



ATENCIÓN

Lesiones en caso de que las cámaras o las lentes se caigan

Si una cámara o una lente se cae puede provocar lesiones.



ATENCIÓN

Riesgo de cortes debido a los bordes afilados del objetivo

Las roscas de los objetivos pueden tener bordes afilados.

Uso previsto

El uso previsto del producto Allied Vision es la integración en el sistema de visión por parte de profesionales. Todos los productos Allied Vision se venden dentro de una relación B2B.

FI - Suomi

Turvallisuus

Lue nämä turvallisuusohjeet ennen kameran käyttöä. Noudata varoituksia joka hetki. Käytä kameraa ainoastaan kohdassa [Intended use](#) sivulla 35 kuvatulla tavalla.



HUOMIO

Palovammojen vaara

Käytössä olevan kameran saavuttamat lämpötilatasot voivat aiheuttaa palovammoja.



HUOMIO

Putoavien kameroiden tai linssien aiheuttamat vammat

Putoava kamera tai linssi voi aiheuttaa vammoja.



HUOMIO

Linssien kiinnikkeiden terävien reunojen aiheuttamien viiltovammojen vaara

Linssin kiinnikkeiden kierteiden reunat voivat olla teräviä.

Käyttötarkoitus

Allied Vision-tuotteen käyttötarkoitus on integrointi kuvajärjestelmiin ammattilaisten toimesta. Kaikki Allied Vision-tuotteet myydään B2B-ympäristössä.

FR - Français

Sécurité

Veillez lire ces consignes de sécurité avant d'utiliser la caméra. Respectez continuellement les avertissements. Utilisez la caméra uniquement comme indiqué sous [Intended use](#), page 35.



ATTENTION

Risque de brûlures

Une caméra en service peut atteindre des niveaux de température susceptibles d'entraîner des brûlures.



ATTENTION

Blessures en cas de chute de caméras ou d'objectifs

La chute d'une caméra ou d'un objectif peut entraîner des blessures.



ATTENTION

Risque de coupures sur les bords tranchants des montures d'objectif

Les filetages des montures d'objectif peuvent présenter des bords tranchants.

Utilisation prévue

L'utilisation prévue du produit Allied Vision est son intégration dans des systèmes de vision par le soin de professionnels. Tout produit Allied Vision est vendu dans un cadre B2B.

עברית - HE

בטיחות

לפני השימוש במצלמה, יש לקרוא הוראות בטיחות אלו. יש לשים לב לאזהרות בכל עת. השימוש במצלמה הוא רק לפי המצוין ב-Intended use בעמוד 35.

זהירות

סכנת כווייה

מצלמה בפעילות עשויה להגיע לרמות טמפרטורה שעלולות לגרום לכוויות.



זהירות

פציעה מנפילת מצלמות או עדשות

מצלמה או עדשה שנופלות עלולות לגרום לפציעה.



זהירות

סכנה לחתכים מקצוות חדים של תושבת עדשה

בהברגה של תושבת העדשה עשויים להיות קצוות חדים.



שימוש מיועד

מוצרי AlliedVision מיועדים לשילוב במערכות ראייה ממוחשבת ע"י אנשי מקצוע. כל מוצרי AlliedVision נמכרים במתכונת B2B.

IT - Italiano

Sicurezza

Leggere queste istruzioni per la sicurezza prima di utilizzare la telecamera. Osservare sempre tutte le avvertenze. Utilizzare la telecamera come descritto alla sezione [Intended use](#) a pagina 35.



ATTENZIONE

Pericolo di ustioni

Durante il funzionamento una telecamera può raggiungere temperature elevate che possono essere causa di ustioni.



ATTENZIONE

Lesioni dovute alla caduta di telecamere o lenti

La caduta di una telecamera o di una lente può causare delle lesioni.



ATTENZIONE

Pericolo di tagliarsi sui bordi affilati degli attacchi della lente

I bordi della filettatura dell'attacco della lente possono essere affilati.

Usò previsto

Il prodotto Allied Vision è concepito per essere integrato in sistemi di monitoraggio in campo professionale. Tutti i prodotti Allied Vision sono venduti in uno scenario B2B.

JA - 日本語

安全性

本カメラを使用する前に、この安全の手引きをお読みください。常に、警告事項を守ってください。必ず、[Intended use](#) 35 ページの通りに、本カメラを使用してください。



注意

やけどの危険性

作動中のカメラは、やけどを引き起こす温度まで熱くなる恐れがあります。



注意

カメラまたはレンズの落下によるけが

カメラまたはレンズが落下すると、けがをする恐れがあります。



注意

レンズマウントの鋭利な端部で切り傷の危険性

レンズマウントのギザギザの部分が鋭利である可能性があります。

用途

Allied Vision製品は、専門家が視覚装置に統合することを意図したものです。すべてのAllied Vision製品は、企業間取り引き用に販売されています。

NL - Nederlands

Veiligheid

Lees deze veiligheidsinstructies voordat u de camera gaat gebruiken. Neem deze waarschuwingen altijd in acht. Gebruik de camera uitsluitend, zoals aangegeven in het [Intended use](#) op pagina 35.



VOORZICHTIG

Risico van verbranding

Een camera die gebruikt wordt, kan temperatuurwaarden bereiken die brandwonden kunnen veroorzaken.



VOORZICHTIG

Letsel door vallende camera's of lenzen

Een vallende camera of lens kan letsel veroorzaken.



VOORZICHTIG

Risico van snijwonden door scherpe randen van lensbevestigingen

Het schroefdraad van de lensbevestiging kan scherpe randen hebben.

Beoogd gebruik

Het beoogde gebruik van het Allied Vision-product is de integratie in optische systemen door professionals. Alle Allied Vision-producten worden verkocht in de B2B-markt.

NO - Norsk

Sikkerhet

Les disse sikkerhetsinstruksene før du bruker kameraet. Følg advarslene til en hver tid. Bruk kun kameraet i samsvar med [Intended use](#) på side 35.



FORSIKTIG

Risiko for brannskader

Et kamera i bruk kan nå temperaturnivåer som kan forårsake brannskader.



FORSIKTIG

Skade ved fallende kameraer eller linser

Et fallende kamera eller en fallende linse kan forårsake skade.



FORSIKTIG

Risiko for kutt fra skarpe kanter på linsefester

Sporene på linsefestet kan ha skarpe kanter.

Tiltenkt bruk

Den tiltenkte bruken av Allied Vision-produktet er integrering i visjonssystemer av profesjonelle. Alle Allied Vision-produkter selges i en forretning til forretning-situasjon.

SV - Svenska

Säkerhet

Läs igenom säkerhetsinstruktionerna innan du använder kameran. Var hela tiden särskilt uppmärksam på varningarna. Använd enbart kameran på det sätt som anges i [Intended use](#) på sida 35.



VARNING

Risk för brännskada

En kamera i drift kan komma upp i temperaturer som kan orsaka brännskador.



VARNING

Risk för skador från fallande kameror eller objektiv

Fallande kameror eller objektiv kan förorsaka skador.



VARNING

Risk för skärsår från vassa kanter på objektivfattningar

Objektivets gängor kan ha vassa kanter.

Avsedd användning

Den avsedda användningen av Allied Vision-produkter är integrering i visionsystem av fackmän. Samtliga Allied Vision-produkter säljs i en B2B-miljö.

ZH - 简体中文版

安全需知

使用本相机前，请阅读本安全说明书。请务必遵守相关警告和 [Intended use](#) 于第 35 页。



注意事项

烫伤风险

相机操作过程中温度可能上升并导致烫伤风险。



注意事项

相机或者镜头跌落造成伤害

相机或者镜头可能会跌落并造成伤害。



注意事项

镜头接口的锐利边缘划伤风险

镜头接口螺纹边缘可能较为锐利。

预期用途

Allied Vision 产品的预期用途是由专业人士整合到视觉系统中。所有 Allied Vision 的产品均通过 B2B 渠道销售。

Goldeye G/CL cameras at a glance



This chapter includes:

Overview	16
Scope of delivery	16
What else do you need?	16

Overview



Read this document carefully

Learn to avoid damage to your Goldeye and use it in the most safe and efficient way.

This **Goldeye G/CL User Guide** describes the technical specifications and operating principle of the Goldeye camera family, including feature overview, dimensions, I/O definition, pixel formats, image processing and SWIR-specific data processing, basic and advanced parameters, and settings, as well as bandwidth and frame rate related subjects.



Goldeye G/CL-030 TEC1 and G/CL-130 TEC1 product labels

Goldeye G/CL-030 TEC1 and Goldeye G/CL-130 TEC1 are named Goldeye G/CL-030 **T1** and Goldeye G/CL-130 **T1** on product labels and in all regulatory related documentation. See [Naming on product labels](#) on page 71 for details.

Scope of delivery

Your Goldeye camera is delivered with the following components:

- Goldeye camera
- Download instructions for First Camera Operation

What else do you need?

Content	Link
Goldeye G/CL Features Reference, camera data sheets, Modular Concept, 3D CAD STEP files	www.alliedvision.com/en/support/technical-documentation/goldeye-gcl-documentation
Camera lenses and accessories	www.alliedvision.com/en/products/accessories
For details about camera warranty duration and sensor warranty terms.	www.alliedvision.com/en/support/warranty

Table 1: Additional resources

Software	Link
Vimba Suite , drivers, and software tools	www.alliedvision.com/en/support/software-downloads

Table 2: Download Vimba Suite and software tools

Contact us

Website, email

General

www.alliedvision.com/en/contact
info@alliedvision.com

Distribution partners

www.alliedvision.com/en/avt-locations/avt-distributors

Support

www.alliedvision.com/en/support
www.alliedvision.com/en/about-us/contact-us/technical-support-repair-/rma

Offices

Europe, Middle East, and Africa (Headquarters)

Allied Vision Technologies GmbH
Taschenweg 2a
07646 Stadtroda, Germany
T// +49 36428 677-0 (Reception)
T// +49 36428 677-230 (Sales)
F// +49 36428 677-28

Asia-Pacific

China

Allied Vision Technologies
(Shanghai) Co., Ltd.
2-2109 Hongwell Int. Plaza
1602# ZhongShanXi Road
Shanghai 200235, China
T// +86 21 64861133

Singapore

Allied Vision Technologies Asia Pte. Ltd
82 Playfair Rd, #07-01 D'Lithium
Singapore 368001
T// +65 6634 9027

North, Central, and South America

Canada

Allied Vision Technologies Canada Inc.
300 – 4621 Canada Way
Burnaby, BC V5G 4X8, Canada
T// +1 604 875 8855

USA

Allied Vision Technologies, Inc.
102 Pickering Way- Suite 502
Exton, PA 19341, USA
Toll-free// +1-877-USA-1394
T// +1 978 225 2030

Contents

Read before use	2
EN - English	2
DA - Dansk	3
DE - Deutsch	4
ES - Español	5
FI - Suomi	6
FR - Français	7
HE - עברית	8
IT - Italiano	9
JA - 日本語	10
NL - Nederlands	11
NO - Norsk	12
SV - Svenska	13
ZH - 简体中文版	14
Goldeye G/CL cameras at a glance	15
Overview	16
Scope of delivery	16
What else do you need?	16
Contact us	17
Document history and conventions	24
Document history	25
Manual conventions	29
Typographic styles	29
Symbols and notes	29
Acronyms and terms	30
Compliance, safety, and intended use	32
Compliance notifications	33
For customers in the US	33
For customers in Canada	34
Pour utilisateurs au Canada	34
Avoid electromagnetic interferences	34
Intended use	35
Copyright and trademarks	35
Your safety	36
Handling lens mounts	36
Handling hot cameras	36
Providing optimum heat dissipation	36
Camera mounting	36
Product safety	37
Electrical connections	37

Optical components	38
Installing the camera (GigE)	39
Touching hot cameras	40
Electrostatic discharge	40
Mounting the camera	40
Mounting non-Cool models	41
Mounting Cool models	41
Adapting maximum torque values	42
1/4" -20 UNC mounting thread	43
Mounting the lens	43
Configuring the host computer	44
Installing the NIC driver	45
Optional: Modifying NIC IP address	45
Optimizing system performance	46
Enabling jumbo packets	46
Connecting your camera	47
Powering up the camera	47
Hardware Selection	49
Powering the camera via PoE	49
Connecting to the host computer	49
Allied Vision software	50
Third-party software	50
Configuring your camera	51
Accessories	52
Installing the camera (CL)	53
Touching hot cameras	54
Electrostatic discharge	54
Mounting the camera	54
Mounting non-Cool models	55
Mounting Cool models	55
Adapting maximum torque values	56
1/4" -20 UNC mounting thread	57
Mounting the lens	57
Installing hardware and software	58
Frame grabbers	58
Installing a frame grabber	58
Installing camera software	58
Connecting your camera	59
Powering up the camera	59
Connecting to the host computer	60
Allied Vision software	61
Third-party software	61
Configuring your camera	62
Camera control and image viewing	62
Vimba with frame grabber specific viewer	62
Using a custom application	68

Using frame grabber transport layer	68
Troubleshooting	69
Specifications	70
Model naming	71
Name affix for temperature control	71
Name affix for housing size	72
Applied standards	73
Camera Link standard (CL models)	73
GenICam	73
GenCP	73
GigE Vision (GigE models)	73
IP class	73
Shock and vibration	74
Maximum and ROI frame rates	76
Frame rates and temperature control	76
Specifications (GigE models)	77
Goldeye G-008 TEC1	77
Goldeye G-008 Cool TEC1	81
Goldeye G-030 TEC1	85
Goldeye G-032 TEC1	89
Goldeye G-032 Cool TEC2	93
Goldeye G-033 TEC1	97
Goldeye G-033 TECless	101
Goldeye G-034 TEC1	105
Goldeye G-034 XSWIR 1.9 TEC2	109
Goldeye G-034 XSWIR 2.2 TEC2	114
Goldeye G-130 TEC1	119
Specifications (CL models)	124
Goldeye CL-008 TEC1	124
Goldeye CL-008 Cool TEC1	129
Goldeye CL-030 TEC1	134
Goldeye CL-032 TEC1	139
Goldeye CL-032 Cool TEC2	144
Goldeye CL-033 TEC1	149
Goldeye CL-033 TECless	154
Goldeye CL-034 TEC1	159
Goldeye CL-034 XSWIR 1.9 TEC2	164
Goldeye CL-034 XSWIR 2.2 TEC2	170
Goldeye CL-130 TEC1	176
Technical drawings (GigE models)	181
Model overview	181
Goldeye G TEC1 with C-Mount adapter	182
Goldeye G XSWIR TEC2 with C-Mount adapter	183
Goldeye G with C-Mount adapter	184
Goldeye G with F-Mount adapter	185
Goldeye G with M42-Mount adapter	186
Goldeye G-034 TEC1 with C-Mount adapter	187

Goldeye G-034 TEC1 with F-Mount adapter	188
Goldeye G-034 TEC1 with M42-Mount adapter	189
Goldeye G Cool with C-Mount adapter	190
Goldeye G Cool with F-Mount adapter	191
Goldeye G Cool with M42-Mount adapter	192
Technical drawings (CL models)	193
Model overview	193
You can find drawings for the corresponding models on pages:	193
Goldeye CL TEC1 with C-Mount adapter	194
Goldeye CL XSWIR TEC2 with C-Mount adapter	195
Goldeye CL with C-Mount adapter	196
Goldeye CL with F-Mount adapter	197
Goldeye CL with M42-Mount adapter	198
Goldeye CL-034 TEC1 with C-Mount adapter	199
Goldeye CL-034 TEC1 with F-Mount adapter	200
Goldeye CL-034 TEC1 with M42-Mount adapter	201
Goldeye CL Cool with C-Mount adapter	202
Sensor position accuracy	203
Accessories	204
Electrical connections	205
Power supplies	205
Goldeye G/CL models	205
Goldeye G/CL Cool and XSWIR models	205
AC supply cables for power supplies	206
Hirose 4-pin power cables for Goldeye Cool and XSWIR models	206
Ethernet adapters	207
Camera Link cables	207
MDR-26 to SDR-26 cables	207
SDR-26 to SDR-26 cables	208
Hirose 12-pin I/O connectors and cables	208
Lens mount adapters	209
Optical filters and accessories	210
Filter mounting sets	210
Bandpass filter 1450 nm (water filter)	210
Filters for G/CL-030/130 and XSWIR models	211
Heat sink set.	212
Using lens mounts and filters	213
Camera models and lens mounts	214
Changing the lens adapter	214
C-Mount lens adapter	215
Specifications of the C-Mount adapter	215
Changing the filter in the C-Mount adapter	216
F-Mount lens adapter	218
Specifications of the F-Mount adapter	218
Changing the filter in the F-Mount adapter	219
M42-Mount lens adapter	220

Specifications of the M42-Mount adapter	221
Changing the filter in the M42-Mount adapter	221
Adjusting the C-Mount	223
Preconditions	223
Instructions	224
Replacing filters on G/CL-030/130 and XSWIR models with C-Mount adapter	224
Preconditions	224
Inserting filters	225
Removing filters	225
Filter specifications	226
General terms explained	226
Bandpass filters	226
Camera interfaces	230
GigE port, back panel, and status LEDs (GigE)	231
Gigabit Ethernet port	231
Back panel	231
GigE status LEDs	232
CL port, back panel, and status LED (CL)	233
Camera Link port	233
Back panel	233
Camera Link status LED	234
Power supply (GigE and CL models)	235
Power supply via Hirose connector	236
Power supply via Gigabit Ethernet (Goldeye G only)	236
I/O description (GigE and CL models)	237
I/O connectors and pin assignment	237
I/O definitions	241
Frame grabber requirements (CL)	249
Timing (CL)	250
Changing the clock frequency	250
Adjusting the gaps	251
Sequential overview	252
Starting the acquisition automatically (CL)	254
Triggering	255
Trigger timing diagram	256
Trigger definitions	256
Trigger rules	257
Trigger latencies and jitter	257
Goldeye models except G/CL-x30 TEC1	257
Goldeye G/CL-x30 TEC1 models	258
Image data flow	259
Image data flow	260
Image corrections	261
Determination and storage of correction data	261
Non-uniformity correction	261

Background correction	262
Defect pixel correction	262
Image processing	263
Black level	263
Gain	263
Look-up table	263
Binning	264
Decimation	264
Automatic image control	265
Definitions	265
Automatic exposure control	268
Contrast control	270
Other image controls	272
Frame memory	272
Trigger-induced distortion correction	272
Value changes by feature interdependencies	274
Temperature control	275
How temperature affects the sensor	276
TEC1, TEC2, TECless	276
TEC1	277
TEC2	277
TECless	277
Warm-up period with TEC1 and TEC2	278
Additional heating for selected models	278
Activating the heating of Goldeye G models	279
Activating the heating of the CL models	279
Neutralization of the temperature influence	280
Temperature setpoints	280
Switching temperature setpoints	281
Temperature setpoint settling time	284
Operational statuses	287
Features for temperature control	288
Firmware update	289
Firmware loader application	290
How to obtain the latest firmware version	290
Cleaning optical components	291
Avoiding the necessity of camera cleaning	292
Identifying contaminations	292
Where is the contamination? — Locating contaminations	293
Removing optical filters	293
Cleaning instructions	294
Use of compressed air	296
Index	297

Document history and conventions



This chapter includes:

Document history	25
Manual conventions.....	29

Document history

Version	Date	Remarks
V4.5.4	2022-Oct-27	Corrected QE curves for Goldeye G-034 XSWIR 2.2 TEC2 on page 114 and Goldeye CL-034 XSWIR 2.2 TEC2 on page 170.
V4.5.3	2022-Oct-21	<ul style="list-style-type: none"> Corrected minimum spectral range values and updated QE curves for Goldeye G-034 XSWIR 1.9 TEC2 on page 109, Goldeye G-034 XSWIR 2.2 TEC2 on page 114, Goldeye CL-034 XSWIR 1.9 TEC2 on page 164, and Goldeye CL-034 XSWIR 2.2 TEC2 on page 170. Applied editorial changes.
V4.5.2	2022-Oct-05	Corrected Temporal dark noise (Gain1) values for Goldeye G-034 XSWIR 2.2 TEC2 on page 114 and Goldeye CL-034 XSWIR 2.2 TEC2 on page 170.
V4.5.1	2022-Oct-04	<p>Firmware version: 03.06.49d19afc</p> <ul style="list-style-type: none"> Added Hebrew contents to Read before use on page 2. Updated data in Specifications on page 70: <ul style="list-style-type: none"> Added 10-bit pixel formats for Goldeye G/CL-034 TEC1 Goldeye G/CL-034 XSWIR 1.9 TEC2 Goldeye G/CL-034 XSWIR 2.2 TEC2 Added data for Goldeye G/CL-034 XSWIR 1.9/2.2 TEC2 at various places. Corrected values for temperature setpoints in Goldeye G-008 TEC1 on page 77, Goldeye CL-030 TEC1 on page 134, Goldeye CL-032 Cool TEC2 on page 144, and in Goldeye CL-130 TEC1 on page 176. Applied editorial changes.
V4.5.0	2022-Jun-14	<ul style="list-style-type: none"> Added preliminary data for Goldeye G/CL-034 XSWIR 1.9 TEC2 and Goldeye G/CL-034 XSWIR 2.2 TEC2. Reorganized contents in Temperature control on page 275. Editorial changes.
V4.4.2	2022-Mar-08	<p>Firmware version: 02.26.38494</p> <ul style="list-style-type: none"> Added values for exposure time ranges in <i>UltraShort</i> mode for Goldeye G/CL-030 TEC1 and G/CL-130 TEC1 models in Specifications on page 70. Added separate frame rates for different acquisition modes in the specifications table for Goldeye G-130 TEC1 on page 119. Added values for Trigger latencies and jitter on page 257 with G/CL-030 TEC1 and G/CL-130 TEC1 models. Added Vertical ROI and Horizontal ROI to the Image data flow on page 260.
V4.4.1	2022-Jan-21	Corrected descriptions for the ROI frame rate calculations for Goldeye G-130 TEC1 on page 119 and for Goldeye CL-130 TEC1 on page 176.

Table 3: Document history (sheet 1 of 4)

Version	Date	Remarks
V4.4.0	2021-Nov-25	Firmware version: 02.24.37527 <ul style="list-style-type: none"> • New models: Goldeye CL-030 TEC1 and CL-130 TEC1 • Updated diagrams from absolute QE to relative QE for G-030 TEC1 and G-130 TEC1 models. • Added Goldeye G/CL-030 TEC1 and G/CL-130 TEC1 to contents in Additional heating for selected models on page 278. • Added feature descriptions for black level, gain, and decimation in Image processing on page 263. • Added Value changes by feature interdependencies on page 274. Continued on next page
V4.4.0	2021-Nov-25	Continued from previous page. <ul style="list-style-type: none"> • Updated feature description for binning in Image processing on page 263. • Editorial changes.
V4.3.2	2021-Aug-13	<ul style="list-style-type: none"> • Added icon for compliance with UKCA in Compliance notifications on page 33. • Editorial changes.
V4.3.1	2021-Jul-22	<ul style="list-style-type: none"> • Editorial changes.
V4.3.0	2021-Jul-07	Firmware version: 02.22.35663 <ul style="list-style-type: none"> • New models: Goldeye G-030 TEC1 and G-130 TEC1 • Updated contents for Mounting the camera on page 40 (for CL accordingly). • Added contents about Adjusting the C-Mount on page 223. • Added contents about Replacing filters on G/CL-030/130 and XSWIR models with C-Mount adapter on page 224. • Added contents about Filters for G/CL-030/130 and XSWIR models on page 211. • Updated contents in Contrast control on page 270. • Editorial changes.
V4.2.0	2020-Aug-12	Firmware version: 02.20.29870 <ul style="list-style-type: none"> • New models: Goldeye CL-034 TEC1 and G-034 TEC1 • Added Read before use on page 2 • Added Your safety on page 36 • Added Product safety on page 37 • Updated power supply order codes • Updated Installing the camera (GigE) on page 39 • Updated Installing the camera (CL) on page 53 • Editorial updates
V4.1.6	2019-Sep-05	<ul style="list-style-type: none"> • Editorial revision to improve usability

Table 3: Document history (sheet 2 of 4)

Version	Date	Remarks
V4.1.5	2019-Jul-09	<ul style="list-style-type: none"> Extended description of TID correction. Updated Spectral Sensitivity plots. Editorial changes.
V4.1.4	2019-Apr-30	<ul style="list-style-type: none"> Specifications: Included three Gain levels of Goldeye G/CL-033 TEC1 and TECless models. Upgraded the description of optical filters.
V4.1.3	2019-Mar-15	<ul style="list-style-type: none"> Specifications: Updated power consumption data. Specifications: Added standards used for successful shock and vibration testing. Specifications: Added Gain factor to Image and Performance table. Accessories: Updated accessories tables. Continued on next page.
V4.1.3	2019-Mar-15	Continued from previous page. <ul style="list-style-type: none"> Temperature control: Added section Recommended Environment for Goldeye TECless. Temperature control: Extended the section Neutralization of the Temperature Influence. Minor editorial changes.
V4.1.2	2018-Sep-12	<ul style="list-style-type: none"> Added link to application note Using the Goldeye G/CL LUT for image processing. Updated contact information. Updated installation information.
V4.1.1	2018-Jul-26	Applied several editorial corrections.
V4.1.0	2018-May-08	Firmware version: 02.18.20213 <ul style="list-style-type: none"> Added functions to models Goldeye G/CL-008 TEC1 and G/CL-008 Cool TEC1: <ul style="list-style-type: none"> Modified temperature readout with increased precision (reduced T_readout noise). Ability to heat the sensor in a new mode. New feature SensorTemperatureTargetSetpoint that allows to hold one sensor temperature over a very wide range of conditions.
V4.0.0	2018-Mar-20	Firmware version: 02.16.19998 <ul style="list-style-type: none"> New models: Goldeye CL-008 Cool TEC1, G-008 Cool TEC1, CL-032 Cool TEC2, CL-033 TECless, G-033 TECless. Editorial changes: <ul style="list-style-type: none"> Improved pin assignment description of 12-pin Hirose connector, added Hirose pin number to I/O block diagrams. Added the TEC level to each model name throughout the document; also added detailed description of model naming. Included the Installation Manual for both GigE and CL models into the Technical Manual.

Table 3: Document history (sheet 3 of 4)

Version	Date	Remarks
V3.3.0	2017-Jun-14	Firmware version: 02.14.19002 <ul style="list-style-type: none"> • Added automatic contrast functionality. • Added TID correction. • Updated formulas for maximum frame rate. • Applied multiple small changes.
V3.2.0	2016-Dec-01	<ul style="list-style-type: none"> • Included multiple minor updates. • Applied result of language check. • Restructured technical data and specifications .
V3.1.2	2016-Nov-17	<ul style="list-style-type: none"> • Corrected drawing of the Goldeye G-032 Cool power connector pin assignment.
V3.1.1	2016-Aug-25	<ul style="list-style-type: none"> • Corrected formulas for frame rate calculation of Goldeye CL-032, CL-033.
V3.1.0	2016-Jun-30	Firmware version: 02.12.17558 <ul style="list-style-type: none"> • Added automatic exposure functionality. • Added capability to change CL timing parameters including clock frequency.
V3.0.0	2016-Feb-29	Firmware version: 2.10.16613 <ul style="list-style-type: none"> • New models: Goldeye CL-008, CL-032, CL-033.
V2.0.0	2015-Aug-24	<ul style="list-style-type: none"> • Firmware version: 02.08.15169 • New model: Goldeye G-008 • Complete implementation of new corporate layout. • Introduction of look-up table and binning into the firmware.
V1.3.0	2015-Mar-20	Firmware version: 02.06.06 <ul style="list-style-type: none"> • New model: Goldeye G-033. • Extended the description of image corrections.
V1.2.0	2014-Nov-07	<ul style="list-style-type: none"> • Updated to new brand name and new brand logo.
V1.1.0	2014-Oct-24	Firmware version: 02.04.04 <ul style="list-style-type: none"> • New model: Goldeye G-032 Cool TEC2 • Introduction of automatic non-uniformity correction. • Introduced new Resolution and ROI chapter.
V1.0.0	2014-Jul-11	Firmware version: 02.02.02 <ul style="list-style-type: none"> • New camera family, first model: Goldeye G-032 • First release of the document.

Table 3: Document history (sheet 4 of 4)

Manual conventions

To give this manual an easily understood layout and to emphasize important information, the following typographical styles and symbols that are used.

Typographic styles

Style (example)	Function
Emphasis	Programs, or highlighting important things.
Feature names	GigE features names are displayed as monospaced text.
<i>Feature options</i>	Features options and register's options that are selectable by the user are displayed as monospaced italicized text.
UI Element	Text that is displayed, or output, by the system for the user, like parts of the GUI, dialog boxes, buttons, menus, important information, windows titles.
Web Reference	References to other documents or webpages, like web links, hypertext links, emails, but also cross references, that include a link the user can follow by clicking.

Table 4: Typographic styles

Symbols and notes



CAUTION

Risk of burns

Precautions are described



CAUTION

Injury by falling cameras or lenses

Precautions are described



CAUTION

Risk of cuts by sharp edges of lens mounts

Precautions are described



NOTICE

Material damage

Precautions are described.



NOTICE

Material damage by electrostatic discharge (ESD)

Precautions as described.



Avoiding malfunctions

Precautions are described.



Practical tip

Additional information helps to understand or ease handling the camera.



Additional information

Web address or reference to an external source with more information is shown.

Acronyms and terms

The following table provides a list of acronyms and terms used in this document.

Acronym or term	Description
ADC	Analog-to-digital converter
AIA	Automated Imaging Association
AOI	Area of interest
BC	Background correction
Bps	Bytes/s
CL	Camera Link
DPC	Defect pixel correction
DSNU	Dark signal non-uniformity
EMVA	European Machine Vision Association
ESD	Electrostatic discharge
FPA	Focal plane array
GigE	Gigabit Ethernet
GND	Ground (power)
GPIO	General purpose input and output
GVSP	GigE Vision Streaming Protocol
H × V	Horizontal × Vertical (sensor resolution measurement)
I/O	Input/Output

Table 5: Acronyms and terms used in this document (sheet 1 of 2)

Acronym or term	Description
kΩ	Kilohm
LUT	Look-up table
MSDS	Material safety data sheet
N.a.	Not applicable (abbreviation in tables)
NIC	Network interface card
NUC	Non-uniformity correction
PoE	Power over Ethernet
PRNU	Photo response non-uniformity
PSE	Power sourcing equipment
QE	Quantum efficiency
ROI	Region of interest
SDK	Software Development Kit
TEC1	Single-stage thermo electric cooling
TEC2	Dual-stage thermo-electric cooling
TECless	No thermo-electric cooling element
TTL I/O	Transistor-transistor logic input/output
TxD and RxD	Transmit and receive
VSWIR	Visible and short-wave infrared

Table 5: Acronyms and terms used in this document (sheet 2 of 2)

Compliance, safety, and intended use



This chapter includes:

Compliance notifications	33
Intended use	35
Copyright and trademarks	35
Your safety.....	36
Product safety	37

Compliance notifications



National regulations on disposal must be followed.

For customers in the US



Class B digital device

Note: This equipment has been tested and found to comply with the limits for a Class B digital device, pursuant to part 15 of the FCC Rules. These limits are designed to provide reasonable protection against harmful interference in a residential installation. This equipment generates, uses and can radiate radio frequency energy and, if not installed and used in accordance with the instructions, may cause harmful interference to radio communications. However, there is no guarantee that interference does not occur in a particular installation. If this equipment does cause harmful interference to radio or television reception, which can be determined by turning the equipment off and on, the user is encouraged to try to correct the interference by one or more of the following measures:

- Reorient or relocate the receiving antenna.
- Increase the separation between the equipment and receiver.
- Connect the equipment into an outlet on a circuit different from that to which the receiver is connected.
- Consult the dealer or an experienced radio/TV technician for help.

We caution the user that changes or modifications not expressly approved by the party responsible for compliance could void the user's authority to operate the equipment.

Supplier Declaration of Conformity

Goldeye G/CL cameras comply with Part 15 of the FCC Rules. Operation is subject to the following two conditions:

1. This device may not cause harmful interference, and
2. This device must accept any interference received, including interference that may cause undesired operation.

Party issuing Supplier's Declaration of Conformity

Allied Vision Technologies GmbH
Taschenweg 2a
07646 Stadtroda, Germany
T// +49 (36428) 677-106
quality@alliedvision.com

Responsible party - US contact information

Allied Vision Technologies, Inc.
102 Pickering Way – Suite 502
Exton, PA 19341, USA
T// +1 978 225 2030

Note: changes or modifications not expressly approved by the party responsible for compliance could void the user's authority to operate the equipment.

For customers in Canada

This apparatus complies with the Class B limits for radio noise emissions set out in the Radio Interference Regulations.

CAN ICES-3 (B) / NMB-3 (B)

Pour utilisateurs au Canada

Cet appareil est conforme aux normes classe B pour bruits radioélectriques, spécifiées dans le Règlement sur le brouillage radioélectrique.

CAN ICES-3 (B) / NMB-3 (B)

Avoid electromagnetic interferences

For all power and interface connections, only use shielded cables or cables recommended by Allied Vision.

Intended use

Allied Vision's objective is the development, design, production, maintenance, servicing and distribution of digital cameras and components for image processing. We are offering standard products as well as customized solutions.

Intended use of Allied Vision product is the integration into Vision systems by professionals. All Allied Vision product is sold in a B2B setting.

Allied Vision isn't a legal manufacturer of medical product. Instead, Allied Vision cameras and accessories may be used as components for medical product after design-in by the medical device manufacturer and based on a quality assurance agreement (QAA) between Allied Vision (supplier) and medical device manufacturer (customer). Allied Vision's duties in that respect are defined by ISO 13485, clause 7.2 (customer-related processes, equivalent to ISO 9001, clause 8.2).

Copyright and trademarks

All text, pictures, and graphics are protected by copyright and other laws protecting intellectual property. All content is subject to change without notice.

All trademarks, logos, and brands cited in this document are property and/or copyright material of their respective owners. Use of these trademarks, logos, and brands does not imply endorsement.

Copyright © 2022 Allied Vision GmbH. All rights reserved.

Your safety

This section informs about issues related to your personal safety. Descriptions explain how to avoid hazards and operate Goldeye G/CL cameras safely.

Handling lens mounts

The lens mount thread has sharp edges. Be careful these edges do not cut your skin when mounting or unmounting lenses.

Handling hot cameras

If you hold the camera in your hands during operation, your skin may get hurt. If you touch the camera when it is heated up, we recommend wearing protective gloves.

Providing optimum heat dissipation

Operation outside the allowed temperature range can damage the camera. For best performance and to protect the camera from damage, keep the housing temperature in the specified operating temperature range.

Observe the following:

- To avoid camera crashes, operate the camera with a lens or lens adapter attached only.
- For maximum heat dissipation, affix the camera to a heat sink, using the mounting holes.
- Use mounting base and heat sink with large surface areas.
- Use a mounting base with a high thermal conductivity.
- Reduce ambient temperature. For example, in an outdoor application with direct sunlight, provide shading by an enclosure.
- Provide ventilation or other active cooling of camera, mounting base, and heat sink.

Camera mounting

Goldeye G/CL cameras must be mounted using the mounting threads. If vibration is higher than specified, cameras can disconnect from the mounting. Falling cameras can hurt you. To avoid personal injury:

- Mount the camera according to the instructions in the installation chapters.
- Ensure, shock and vibration do not exceed the specified range as specified in the specifications chapter.
- For heavy or long lenses, use a lens support and apply tests.

Product safety

To prevent material damage, read the following to understand how to safely handle and operate the camera.

Electrical connections

ESD

ESD is dangerous for electronic devices, especially when tools or hands get in contact with connectors. We recommend measures to avoid damage by ESD:

- **Unpacking:** Remove the camera from its anti-static packaging only when your body is grounded.
- **Workplace:** Use a static-safe workplace with static-dissipative mat and air ionization.
- **Wrist strap:** Wear a static-dissipative wrist strap to ground your body.
- **Clothing:** Wear ESD-protective clothing. Keep components away from your body and clothing. Even if you are wearing a wrist strap, your body is grounded but your clothes are not.

Cable connections

Provide sufficient strain relief for all cable connections to avoid short circuits and malfunctions.

Camera power

Operating the camera beyond the specified range damages the camera.

Cameras can be powered using the I/O connector at an input range of 12 to 24 VDC, using a limited power source (LPS), according to IEC 62368-1 with maximum 2.0 A. The camera is not intended to be connected to a DC distribution network.

Alternatively, cameras can be powered over Ethernet. However, power consumption and heat generation are higher than with external power, using the I/O connector.

- Make sure that PoE power sourcing equipment is at least compliant to IEEE 802.3af/at.
- Only use power supplies that meet the insulation requirement according to PELV or SELV. For details, please refer to IEC 61140.
- If using external power supplies by third-party manufacturers, observe polarity to avoid damage to the camera electronics.

Optical components

Provide the following conditions to keep dirt and droplets out of the optical system of camera and lens:

- Dust-free environment
- Low relative humidity
- No condensation.

When camera or lens are stored:

- Cover the lens mount with a protection foil or cap.
- Cover front and back lens with caps.

Sensor

Sensors are sensitive to excessive radiation: focused sunlight, lasers, and X-rays can damage the sensor. Dirt and scratches can damage the sensor as well.

Goldeye G/CL cameras do not need additional cleaning. Cameras are cleaned before shipping. Incorrect cleaning can damage the sensor or the optical filter. Therefore, never clean the sensor or the optical filter.

Protect the optical filter and the sensor from dirt, because dirt becomes more visible the closer it gets to the sensor. In addition, keep the back lens clean. Hold the camera with the lens mount facing the ground to keep dirt out of the lens mount.

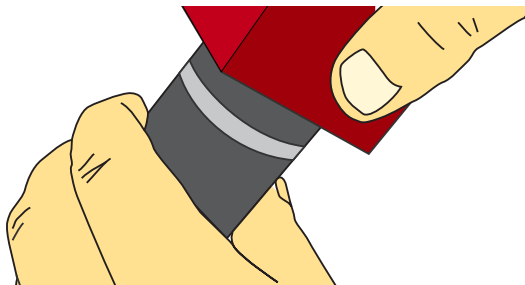


Figure 1: Holding the camera with the lens mount facing the ground

Lenses

Maximum protrusion

The sensor, optical filter, lens, or camera electronics can be damaged if a lens exceeding maximum protrusion is mounted to the camera. Use lenses with a maximum protrusion within camera specifications.

Installing the camera (GigE)



This chapter includes:

Touching hot cameras	40
Electrostatic discharge	40
Mounting the camera	40
Mounting the lens.....	43
Configuring the host computer	44
Connecting your camera.....	47
Powering up the camera.....	47
Connecting to the host computer	49
Accessories.....	52

Touching hot cameras



CAUTION

Risk of burns

A camera in operation can reach temperature levels which could cause burns.

- Wear protective gloves when you touch a camera that is heated up.
- Ensure proper cooling of the camera.

Electrostatic discharge



NOTICE

ESD is dangerous for electronic devices, especially when tools or hands get in contact with connectors. We recommend measures to avoid damage by ESD:

- Unpacking: Remove the camera from its anti-static packaging only when your body is grounded.
- Workplace: Use a static-safe workplace with static-dissipative mat and air ionization.
- Wrist strap: Wear a static-dissipative wrist strap to ground your body.
- Clothing: Wear ESD-protective clothing. Keep components away from your body and clothing. Even if you are wearing a wrist strap, your body is grounded but your clothes are not.

Mounting the camera



CAUTION

Injury by falling cameras or lenses

A falling camera or lens can cause injury.

- Ensure proper mounting of cameras and lenses, especially for dynamic applications.
- Mount cameras as described in the instructions.
- Use all mounting holes of a camera side.
- Always make sure the mounting threads are intact.
- Fasten screws with maximum torque, using the entire thread engagement. For less thread engagement, see [Adapting maximum torque values](#) on page 42.
- We recommend you to apply thread locking.
- Use a lens support for heavy lenses.

Mounting non-Cool models

Mounting holes

Except for Goldeye Cool

M4 ↓6.0 ↓7.5

A=M4 | B=0 | C=6.0 | D=7.5

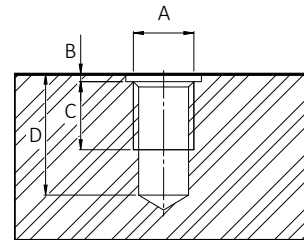


Figure 2: Mounting threads for non-Cool models

The maximum torque value applies only if the entire thread engagement is used. For other values, see [Adapting maximum torque values](#) on page 42.

The camera can be mounted to horizontal or vertical bases, using

- 2 mounting threads for top and bottom mounting
- 4 mounting threads for lateral mounting

The backside has no mounting holes.

1. Mount the camera to the base using suitable M4 screws at 2.7 Nm maximum torque for a thread engagement (C) of 6 mm between screws and mounting threads, see [Figure 2](#). For details, see your model's technical drawings.
2. Continue with [Mounting the lens](#) on page 43.

Mounting Cool models

Top, bottom, lateral mounting

Mounting holes Goldeye Cool

Except for front mounting

M4 ↓6.0 ↓8.0

A=M4 | B=0 | C=6.0 | D=8.0

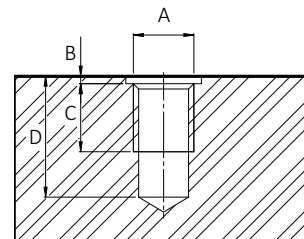


Figure 3: Mounting threads for non-Cool models

The maximum torque value applies only if the entire thread engagement is used. For other values, see [Adapting maximum torque values](#) on page 42.

The camera can be mounted to horizontal or vertical bases, using 4 mounting threads on each side of the camera, except for the back side.

1. Mount the camera to the base using suitable M4 screws at 2.7 Nm maximum torque for a thread engagement (C) of 6 mm between screws and mounting threads, see [Figure 2](#). For details, see your model's technical drawings.
2. Continue with [Mounting the lens](#) on page 43.

Front mounting

Mounting holes Goldeye Cool

Front mounting only

M4 ↓7.0 ↓7.0

A=M4 | B=0 | C=7.0 | D=7.0

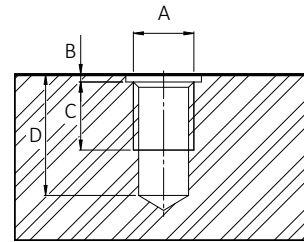


Figure 4: Mounting threads for non-Cool models

The maximum torque value applies only if the entire thread engagement is used. For other values, see [Adapting maximum torque values](#) on page 42.

The camera can be mounted to horizontal or vertical bases, using four mounting threads on each side of the camera, except for the back side.

1. Mount the camera to the base using suitable M4 screws at 3.4 Nm maximum torque for a thread engagement (C) of 7 mm between screws and mounting threads, see [Figure 2](#). For details, see your model's technical drawings.
2. Continue with [Mounting the lens](#) on page 43.

Adapting maximum torque values

The total bolt length composes of the mounting holes length and the height of your mounting base.

For using less than the stated length of thread engagement, calculate maximum torque as follows:

$$\frac{\text{Current length of thread engagement}}{\text{Length of thread engagement in table}} \times \text{Torque in table} = \text{Current torque}$$

This example relates to Goldeye Cool front mounting for a length of thread engagement of **6 mm** instead of 7 mm:

$$6 \text{ mm} / 7 \text{ mm} \times 3.4 \text{ Nm} = 2.9 \text{ Nm}$$

Model group	Thread position	Thread type	Total protrusion	Length of thread engagement	Maximum torque
Cool	Front mounting	M4	7 mm	7 mm	3.4 Nm
Cool	Front mounting	M4	7 mm	6 mm	2.9 Nm

Table 6: Adjusting maximum torque values

To ensure that the bolts do not become loose over time, we recommend you to use means for securing bolts, such as screw locking varnish.

1/4" -20 UNC mounting thread

To attach the camera to the common mounting plate of tripods used in photography, a 1/4" -20 UNC mounting thread is located on the camera bottom.

Mounting the lens



CAUTION

Injury by falling cameras or lenses

A falling camera or lens can cause injury.

- Ensure proper mounting of cameras and lenses, especially for dynamic applications.
- Mount cameras as described in the instructions.
- Use a lens support for heavy lenses.



CAUTION

Risk of cuts by sharp edges of lens mounts

The threads of the lens mount can have sharp edges.

Be careful when mounting or unmounting lenses.



NOTICE

Provide the following conditions to keep dirt and droplets out of the optical system of camera and lens:

- Dust-free environment
- Low relative humidity
- No condensation

To keep dirt out of the lens mount, hold the camera with the lens mount facing the ground. Keep optical filter and camera back lens clean, because dirt becomes more visible the closer it gets to the sensor.



NOTICE

Image sensors are sensitive to excessive radiation: focused sunlight, lasers, and X-rays can damage the sensor.

Goldeye G cameras offer various lens mounts for installing a lens including C-Mount, F-Mount, and M42-Mount. Lenses can be purchased directly from Allied Vision or from an Allied Vision distribution partner. Users need to select the desired focal length of the lens and appropriate optical format for the target camera model.

For more information on lens mount options for your Goldeye G camera, see the Modular Concept. For information on available lenses and accessories for your camera, see the Accessories webpage.

Configuring the host computer

Goldeye G cameras can operate on 100 Megabit or Gigabit speed NICs. To reach the maximum camera frame rate, a Gigabit speed NIC with jumbo packet support is required.

If your host computer has an available Ethernet port, this can be used with your Goldeye G camera. We recommend that your camera system uses a dedicated Ethernet port not shared with internet or local area networks. If more ports are needed, or your existing NIC is unable to operate at Gigabit Ethernet speeds, installing additional hardware may be required.

- For desktop systems, install a PCI Express bus NIC.
- For laptops, use an expansion slot via a Gigabit Ethernet Express card.

Usage on mixed-use networks (with printers, internet or email, and other devices) is possible but may impact camera performance, for example, frame rate. Check with your IT administrator if required for network configuration.

For a list of Ethernet adapters available for purchase from Allied Vision, please contact Allied Vision sales representative or your local Allied Vision distribution partner.



Compatible interface slot

Verify that there is an available and compatible interface slot on the host computer before purchasing the desired NIC.

Installing the NIC driver

Install the network card driver from your network card manufacturer. If no installation application is provided, update the driver manually.

To update the driver manually

1. Click the **Start** icon and select **Control Panel** in the menu.
2. Click **View by Large Icons** and select **Device Manager** in the list.
3. Under **Network Adapters**, locate the Ethernet NIC, right-click the entry, and select **Update Driver Software** in the menu.
4. Select the **Search automatically for updated driver software or Browse my computer for driver software**.
5. Click **Close** after the driver has been installed.

Optional: Modifying NIC IP address

After the initial NIC hardware installation, connect the NIC directly to the camera. The default configuration assigns an IP address automatically using the Link-Local Address range of 169.254.xxx.xxx or an address defined by the DHCP server, if present.

Users can fix the NIC address to minimize the time required for a camera to be recognized by the host application.

To connect to the camera, edit the host computer's adapter settings and configure the following settings:

- IP Address: 169.254.100.1
- Subnet mask: 255.255.0.0
- Default gateway: blank

When systems employ multiple NICs connected to multiple cameras the address of the NICs should be set. Each NIC or NIC card port requires a unique IP address.

For example:

NIC 1:

- IP Address: 169.254.100.1
- Subnet mask: 255.255.0.0
- Default gateway: blank

NIC 2:

- IP Address: 169.254.100.2
- Subnet mask: 255.255.0.0
- Default gateway: blank

Optimizing system performance

The NIC should be adjusted to improve system performance when using a GigE Vision camera. This performance is related to minimizing CPU usage and dropped or resent packets.

Edit the NIC driver properties according to the values in the following table. The names and availability of the properties listed may vary depending on NIC manufacturer and model.

Property	Value
Packet size or maximum transmission unit	8228 bytes or larger
Interrupt moderation	Enable
Interrupt moderation rate	Extreme
Receive buffers	Maximum value configurable
Transmit buffers	256 bytes

Table 7: Network interface card driver settings

Default packet size

The default packet size of Goldeye G cameras is 8228 bytes. The host NIC needs to support a packet size of equal or larger size to stream from the camera.

NIC settings

The NIC settings may also vary depending on your system configuration and the NIC manufacturer.

For desktop systems, use a PCI Express bus NIC. For laptops, use an expansion slot via an ExpressCard®.

Enabling jumbo packets

The properties listed for the NIC may include either **Jumbo Packet** or **Jumbo Frames** depending on the manufacturer. If neither is listed under properties, your network card may not support this feature. You must use a NIC that supports Jumbo Frames or Jumbo Packets.

To enable jumbo packets

1. Click the **Start** icon and select **Control Panel** in the menu.
2. Click **View by Large Icons** and select **Device Manager** in the list.
3. Under **Network Adapters**, locate the Ethernet NIC, right-click the entry, and select **Properties** in the menu.
4. Select the **Advanced** tab.

5. Select the property **Jumbo Packet** and set the value to 9014 Bytes.
6. Click **OK** to save the setting.



Support by various Gigabit Ethernet cards

The settings list in the advanced adapter settings may vary between various types and brands of Gigabit Ethernet network cards. Common expressions are Jumbo Frames or Jumbo Packet.

If Jumbo Frames or Jumbo Packet does not appear in this list, your network card may not support it. Without this capability, you may not be able to achieve the full performance of the camera. Refer to [Specifications \(GigE models\)](#) on page 77 for details on power consumption.

Connecting your camera

Use a CAT5e or higher rated Ethernet cable to connect the camera to the NIC. Crossover cabling is not required but does work. The camera has circuitry to determine if a crossover cable is being used.



We recommend CAT5e or higher rated Ethernet cables. A cable with a lower rating may not sustain peak interface bandwidth; leading to lost connectivity or dropped frames coming from the camera.

Powering up the camera

A camera power adapter for each Goldeye G camera is available from Allied Vision. See the Specifications chapter for connector definition and voltage specifications.



A 12 V power adapter with Hirose connector is available for purchase from Allied Vision:

- Order code: 13867 (Desktop power supply Goldeye G Cool)
- Order code: 13869 (Desktop power supply Goldeye G)
- Order code: 13866 (AC power cable, 1.8 m, US to C13)
- Order code: 13865 (AC power cable, 1.8 m, EU to C13)

**NOTICE**

- Use only DC power supplies with insulated housings.
- For all power connections, use only shielded cables to avoid electromagnetic interference.
- Goldeye G cameras can source power from:
 - IEEE 802.3at Type 1 Class 0 (Goldeye G TEC1, Goldeye G TECless), IEEE 802.3at Type 1 compliant PoE power sourcing equipment devices such as switches, injectors, or NICs.
 - IEEE 802.3at Type 2 Class 4 (Goldeye G Cool TEC2 models only), IEEE 802.3at Type 2 compliant PoE power sourcing equipment devices such as switches, injectors, or NICs.

**NOTICE**

Verify all external connections in terms of voltage levels, power requirements, voltage polarity, and signal integrity prior to powering the device.

**NOTICE**

Don't operate the camera beyond the environmental specifications. See environmental specifications limits in the Specifications section of this document. Special care must be taken to maintain an operating temperature as specified in the Specifications chapter.

**NOTICE**

Operation outside the allowed temperature range can damage the camera. For best performance and to protect the camera from damage, keep the housing temperature in the specified operating temperature range.

Observe the following:

- To avoid camera crashes, operate the camera with a lens or lens adapter attached only.
- For maximum heat dissipation, affix the camera to a heat sink, using the mounting holes.
 - Use mounting base and heat sink with large surface areas.
 - Use a mounting base with a high thermal conductivity.
- Reduce ambient temperature. For example, in an outdoor application with direct sunlight, provide shading by an enclosure.
- Provide ventilation or other active cooling of camera, mounting base, and heat sink.



The camera is not intended to be connected to a DC distribution network. The maximum length for I/O cables must not exceed 30 meters.

To power up the camera, plug the 12-pin Hirose connector into the camera and wait for the boot phase to complete. For Cool models, use the 4-pin Hirose connector. The boot phase is indicated by a steady flashing of the Ethernet status LEDs.

For all available power supply options and all suitable connectors refer to [Power supplies](#) on page 205.

Hardware Selection

Cameras powered by both the Hirose I/O port and the Gigabit Ethernet port use the power provided by Hirose I/O port only.

Powering the camera via PoE

Note the following when using PoE accessories with PoE-capable GigE cameras:

- Goldeye G TEC1 and Goldeye G TECless cameras conform to the IEEE 802.3af (PoE) Type 1 Class 0 standard.
- Goldeye G Cool TEC2 models cameras conform to the IEEE 802.3at (PoE+) Type 2 Class 4 standard.
- Ensure that your PSE provides data over all four pairs.
- If the PSE uses only two out of four pairs for data, operation is limited to 10/100 Mbps. This translates to lower frame rates.
- If the PSE uses all four pairs for data, operation is in Gigabit (1000 Mbps) mode. Thus, allowing you to achieve the maximum possible frame rate.

Connecting to the host computer

After you have installed Vimba Viewer or a third-party application to your host computer, connect your Goldeye G camera via an Ethernet cable. If your camera is not PoE powered, connect the Hirose cable to power the camera. Goldeye G cameras are GigE Vision v1.2 compliant. This means they are compatible with third-party software that offers a GigE Vision driver.

Goldeye G cameras work with the following software options:

- Vimba Viewer or Vimba SDK
- Third-party software solutions

Allied Vision software

Software packages provided by Allied Vision are free of charge and contain such as:

- Drivers
- SDK for camera control and image acquisition
- Examples based on the provided APIs of the SDK
- Documentation and release notes
- Viewer application to operate and configure the cameras

Vimba is Allied Vision's GenICam-based SDK with transport layers for all Allied Vision cameras with GigE Vision, USB3 Vision, IEEE 1394, and Camera Link (CL) interface. Vimba runs on Windows, Linux, and Linux for ARM. You can port your source code from Windows to Linux or cross-compile from a Linux PC to an embedded system.

Vimba provides APIs for C, C++, and .NET. Users who quickly want to develop a straightforward application love the simplicity of the C API or the .NET API.

Advanced users with high demands appreciate the C++ API, which is designed as a highly efficient and sophisticated API for advanced object-oriented programming including the STL (standard template library), shared pointers, and interface classes.

Vimba includes programming examples in C, C++, and C# and an extensive user documentation.



Download Vimba SDK from www.alliedvision.com/en/products/software. After installing, documentation is located under `\Program Files\Allied Vision\Vimba`.

Third-party software

In addition to the software provided by Allied Vision, there are numerous GigE Vision standard compliant third-party software options available. In general, third-party software provides increased functionality such as image processing and video recording.

GenICam-based third-party software automatically connects with Vimba's transport layers. Additionally, Vimba includes the Cognex Adapter for VisionPro.

Configuring your camera

After the host PC is configured, it is necessary to configure the parameters in the camera to establish the connection with best performance.

Launch the application

1. Power up the camera and wait until the Ethernet Status LEDs stop blinking. This indicates booting has been finished.
2. Launch the Vimba Viewer application and wait for the camera to appear in the **Detected Cameras** list. This may take a few seconds, depending on the number of cameras connected to the PC.
3. Select the desired camera from **Detected Cameras** list. A new camera window appears.

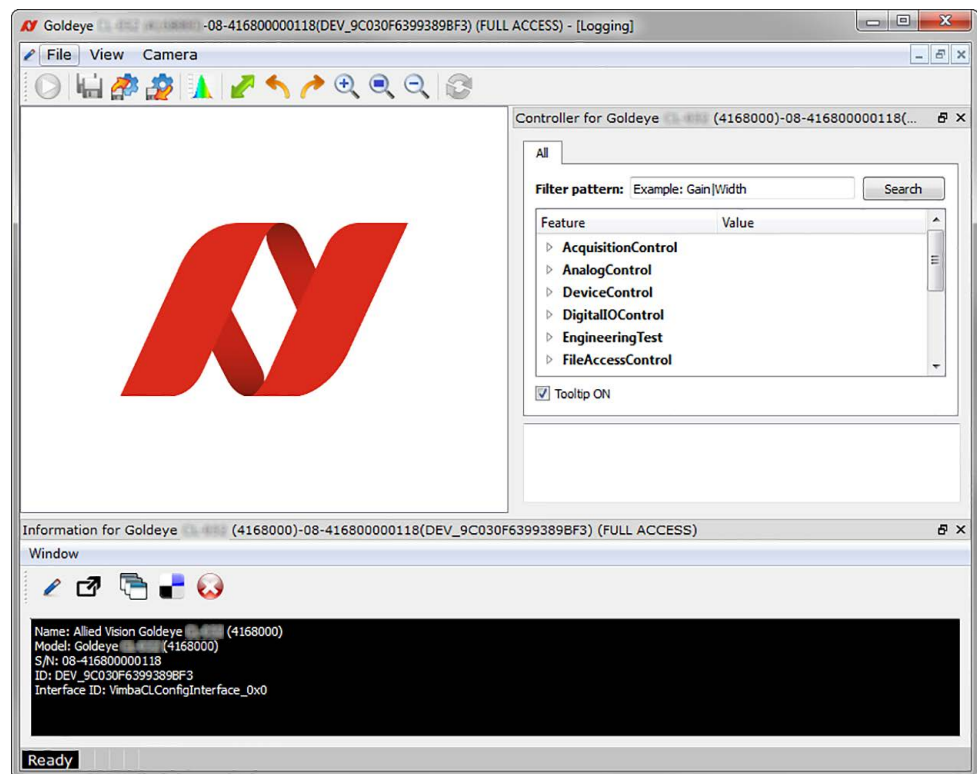


Figure 5: Vimba Viewer

Acquiring images

To start continuous image acquisition, using default camera settings, click on the **freerun** button in the viewer toolbar. The **freerun** button is used to start and stop the live view.

Troubleshooting

Is the camera getting power?

Check the GigE status LED at the GigE port on the backside of the camera. Once the camera is booted, the green LED remains lit as long as the camera is connected to power.

The status LED codes for Goldeye G cameras are described in the section [GigE status LEDs](#) on page 232.

Accessories

We offer a wide range of accessories for use with Goldeye G cameras including:

- GigE accessories such as standard GigE components and PoE/PoE+ capable GigE components.
- Lenses for corresponding sensor sizes and resolutions.

Contact your Allied Vision Sales team or your local Allied Vision distribution partner for information on accessories and lens recommendations.

Installing the camera (CL)



This chapter includes:

Touching hot cameras	54
Electrostatic discharge	54
Mounting the camera	54
Mounting the lens.....	57
Installing hardware and software	58
Connecting your camera.....	59
Powering up the camera.....	59
Connecting to the host computer	60
Camera control and image viewing	62

Touching hot cameras



CAUTION

Risk of burns

A camera in operation can reach temperature levels which could cause burns.

- Wear protective gloves when you touch a camera that is heated up.
- Ensure proper cooling of the camera.

Electrostatic discharge



NOTICE

ESD is dangerous for electronic devices, especially when tools or hands get in contact with connectors. We recommend measures to avoid damage by ESD:

- Unpacking: Remove the camera from its anti-static packaging only when your body is grounded.
- Workplace: Use a static-safe workplace with static-dissipative mat and air ionization.
- Wrist strap: Wear a static-dissipative wrist strap to ground your body.
- Clothing: Wear ESD-protective clothing. Keep components away from your body and clothing. Even if you are wearing a wrist strap, your body is grounded but your clothes are not.

Mounting the camera



CAUTION

Injury by falling cameras or lenses

A falling camera or lens can cause injury.

- Ensure proper mounting of cameras and lenses, especially for dynamic applications.
- Mount cameras as described in the instructions.
- Use all mounting holes of a camera side.
- Always make sure the mounting threads are intact.
- Fasten screws with maximum torque, using the entire thread engagement. For less thread engagement, see [Adapting maximum torque values](#) on page 56.
- We recommend you to apply thread locking.
- Use a lens support for heavy lenses.

Mounting non-Cool models

Mounting holes

Except for Goldeye Cool

M4 ↓6.0 ↓7.5

A=M4 | B=0 | C=6.0 | D=7.5

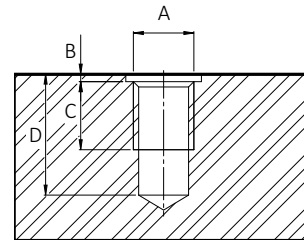


Figure 6: Mounting threads for non-Cool models

The maximum torque value applies only if the entire thread engagement is used. For other values, see [Adapting maximum torque values](#) on page 56.

The camera can be mounted to horizontal or vertical bases, using

- 2 mounting threads for top and bottom mounting
- 4 mounting threads for lateral mounting

The backside has no mounting holes.

1. Mount the camera to the base using suitable M4 screws at 2.7 Nm maximum torque for a thread engagement (C) of 6 mm between screws and mounting threads, see [Figure 6](#). For details, see your model's technical drawings.
2. Continue with [Mounting the lens](#) on page 57.

Mounting Cool models

Top, bottom, lateral mounting

Mounting holes Goldeye Cool

Except for front mounting

M4 ↓6.0 ↓8.0

A=M4 | B=0 | C=6.0 | D=8.0

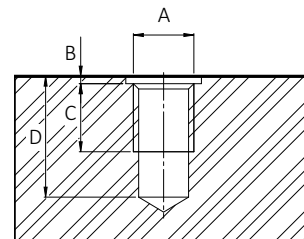


Figure 7: Mounting threads for non-Cool models

The maximum torque value applies only if the entire thread engagement is used. For other values, see [Adapting maximum torque values](#) on page 56.

The camera can be mounted to horizontal or vertical bases, using 4 mounting threads on each side of the camera, except for the back side.

1. Mount the camera to the base using suitable M4 screws at 2.7 Nm maximum torque for a thread engagement (C) of 6 mm between screws and mounting threads, see [Figure 6](#). For details, see your model's technical drawings.
2. Continue with [Mounting the lens](#) on page 57.

Front mounting

Mounting holes Goldeye Cool

Front mounting only

M4 ↓7.0 ↓7.0

A=M4 | B=0 | C=7.0 | D=7.0

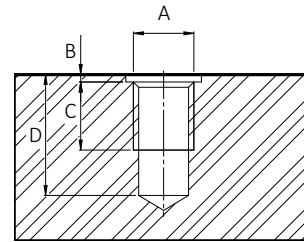


Figure 8: Mounting threads for non-Cool models

The maximum torque value applies only if the entire thread engagement is used. For other values, see [Adapting maximum torque values](#) on page 56.

The camera can be mounted to horizontal or vertical bases, using four mounting threads on each side of the camera, except for the back side.

1. Mount the camera to the base using suitable M4 screws at 3.4 Nm maximum torque for a thread engagement (C) of 7 mm between screws and mounting threads, see [Figure 6](#). For details, see your model's technical drawings.
2. Continue with [Mounting the lens](#) on page 57.

Adapting maximum torque values

The total bolt length composes of the mounting holes length and the height of your mounting base.

For using less than the stated length of thread engagement, calculate maximum torque as follows:

$$\frac{\text{Current length of thread engagement}}{\text{Length of thread engagement in table}} \times \text{Torque in table} = \text{Current torque}$$

This example relates to Goldeye Cool front mounting for a length of thread engagement of **6 mm** instead of 7 mm:

$$6 \text{ mm} / 7 \text{ mm} \times 3.4 \text{ Nm} = \mathbf{2.9 \text{ Nm}}$$

Model group	Thread position	Thread type	Total protrusion	Length of thread engagement	Maximum torque
Cool	Front mounting	M4	7 mm	7 mm	3.4 Nm
Cool	Front mounting	M4	7 mm	6 mm	2.9 Nm

Table 8: Adjusting maximum torque values

To ensure that the bolts do not become loose over time, we recommend you to use means for securing bolts, such as screw locking varnish.

1/4" -20 UNC mounting thread

To attach the camera to the common mounting plate of tripods used in photography, a 1/4" -20 UNC mounting thread is located on the camera bottom.

Mounting the lens



CAUTION

Injury by falling cameras or lenses

A falling camera or lens can cause injury.

- Ensure proper mounting of cameras and lenses, especially for dynamic applications.
- Mount cameras as described in the instructions.
- Use a lens support for heavy lenses.



CAUTION

Risk of cuts by sharp edges of lens mounts

The threads of the lens mount can have sharp edges.

Be careful when mounting or unmounting lenses.



NOTICE

Provide the following conditions to keep dirt and droplets out of the optical system of camera and lens:

- Dust-free environment
- Low relative humidity
- No condensation

To keep dirt out of the lens mount, hold the camera with the lens mount facing the ground. Keep optical filter and camera back lens clean, because dirt becomes more visible the closer it gets to the sensor.



NOTICE

Image sensors are sensitive to excessive radiation: focused sunlight, lasers, and X-rays can damage the sensor.

Goldeye CL cameras offer various lens mounts for installing a lens including C-Mount, F-Mount, and M42-Mount. Lenses can be purchased directly from Allied Vision or from an Allied Vision distribution partner. Users need to select the desired focal length of the lens and appropriate optical format for the target camera model.

For more information on lens mount options for your Goldeye CL camera, see the Modular Concept. For information on available lenses and accessories for your camera, see the Accessories webpage.

Installing hardware and software

Frame grabbers

Almost every frame grabber compatible to Camera Link Base can be used to operate a Goldeye CL camera.



Application Note: Usage of frame grabbers with Goldeye CL cameras

Refer to this application note for detailed requirements:

www.alliedvision.com/fileadmin/content/documents/products/cameras/Goldeye_2/appnote/Goldeye-Framegrabber_AppNote_en.pdf

Installing a frame grabber

For the installation of a frame grabber, the computer must meet the minimum system requirements of the frame grabber.

Find the requirements in the technical manual of the frame grabber.

Refer also to the frame grabber installation manual provided by the manufacturer regarding installation details.

Installing frame grabber software

Read the frame grabber software installation guide provided by the frame grabber manufacturer.



More information about frame grabbers:

For more information about compatibility of various frame grabber models and system installation refer to the application note Usage of Frame grabbers with Goldeye CL Cameras, which is available from the Allied Vision website:

www.alliedvision.com/en/support/technical-documentation/goldeye-gcl-documentation

Installing camera software

This section presents instructions for software installation specific to Windows 7. Goldeye CL cameras can be operated under later versions of Windows as well. Allied Vision offers Vimba as the main SDK for its CL cameras.

To install the Vimba SDK plus corresponding Vimba Viewer, read [Installing Vimba Viewer on Windows on page 59](#).

Note that there is no Linux support for Camera Link with Vimba.



Frame grabber configuration files

Some frame grabbers applications use configuration files to setup the grabber for a certain camera. Allied Vision can provide files for the Goldeye CL series for various frame grabbers.

For more information, please contact support at www.alliedvision.com/en/about-us/contact-us/technical-support-repair/-rma.

Installing Vimba Viewer on Windows

You can install the Vimba Viewer on Windows 7, Windows 8.1, and Windows 10. To install the Vimba Viewer on Windows, follow these steps:

- Step 1: To start the installation, run the file `Vimba_v2.0_Windows.exe`.
- Step 2: Select an installation level suitable for you.
- Step 3: Click **Start**. The installer will guide you through the installation process.

Connecting your camera

To connect the camera to the host application, use a Camera Link cable with an SDR-26 connector for the camera side.

To retrieve information about the required connector type for the frame grabber (either MDR-26 or SDR-26), refer to the frame grabber manual. A list of compatible Camera Link cables is provided on our website.

Powering up the camera

A camera power adapter for each Goldeye CL camera is available from Allied Vision. See the Specifications chapter for connector definition and voltage specifications.



A 12 V power adapter with Hirose connector is available for purchase from Allied Vision:

- Order code: 13867 (Desktop power supply Goldeye CL Cool)
- Order code: 13869 (Desktop power supply Goldeye CL)
- Order code: 13866 (AC power cable, 1.8 m, US to C13)
- Order code: 13865 (AC power cable, 1.8 m, EU to C13)

**NOTICE**

Verify all external connections in terms of voltage levels, power requirements, voltage polarity, and signal integrity prior to powering the device.

**NOTICE**

Don't operate the camera beyond the environmental specifications. See environmental specifications limits in the Specifications section of this document. Special care must be taken to maintain an operating temperature as specified in the Specifications chapter.

**NOTICE**

Operation outside the allowed temperature range can damage the camera. For best performance and to protect the camera from damage, keep the housing temperature in the specified operating temperature range.

Observe the following:

- To avoid camera crashes, operate the camera with a lens or lens adapter attached only.
- For maximum heat dissipation, affix the camera to a heat sink, using the mounting holes.
 - Use mounting base and heat sink with large surface areas.
 - Use a mounting base with a high thermal conductivity.
- Reduce ambient temperature. For example, in an outdoor application with direct sunlight, provide shading by an enclosure.
- Provide ventilation or other active cooling of camera, mounting base, and heat sink.



The camera is not intended to be connected to a DC distribution network. The maximum length for I/O cables must not exceed 30 meters.

To power up the camera, plug the 12-pin Hirose connector into the camera and wait for the boot phase to complete. For Goldeye Cool models, use the 4-pin Hirose connector. The boot phase is indicated by a steady flashing of the Camera Link status LED.

Connecting to the host computer

After you have installed Vimba Viewer or a third-party application to your host computer, connect your Goldeye CL camera via Camera Link cable with an SDR-26 connector for the camera side.

To retrieve information about the required connector type for the frame grabber (either MDR-26 or SDR-26), refer to the frame grabber manual.

Goldeye CL cameras work with the following software options:

- Vimba Viewer or Vimba SDK
- Third-party software solutions

To acquire images the frame grabber SDK must be used.

Allied Vision software

All software packages provided by Allied Vision are free of charge and contain the following components:

- Drivers
- SDK for camera control and image acquisition
- Examples based on the provided APIs of the SDK
- Documentation and release notes
- Viewer application to operate and configure the cameras

Vimba is Allied Vision's GenICam-based SDK with transport layers for all Allied Vision cameras with GigE Vision, USB3 Vision, IEEE 1394, and Camera Link interface. Vimba runs on Windows, Linux, and Linux for ARM. You can port your source code from Windows to Linux or cross-compile from a Linux PC to an embedded system.

Vimba provides APIs for C, C++, and .NET. Users who quickly want to develop a straightforward application love the simplicity of the C API or the .NET API.

Advanced users with high demands appreciate the C++ API, which is designed as a highly efficient and sophisticated API for advanced object-oriented programming including the STL (standard template library), shared pointers, and interface classes.

Vimba includes programming examples in C, C++, and C# and an extensive user documentation.



Vimba Viewer documentation

Vimba Viewer documentation is included with the software download. After Vimba Viewer is installed on your host computer, documentation is located under `\Program Files\Allied Vision\Vimba`.

Third-party software

In addition to the software provided by Allied Vision, there are numerous GigE Vision standard compliant third-party software options available. In general, third-party software provides increased functionality such as image processing and video recording.

GenICam-based third-party software automatically connects with Vimba's transport layers. Additionally, Vimba includes the Cognex Adapter for VisionPro.

Configuring your camera

After the host PC is configured, it is necessary to configure the parameters in the camera to establish the connection with best performance.

Camera control and image viewing

Vimba with frame grabber specific viewer

Overview

Vimba offers a GenTL compatible configuration transport layer to access a GenCP compatible Camera Link camera. This transport layer offers access to all camera features and is used to setup and control a camera.

The Vimba Viewer is used as control application only. Images of the camera are grabbed via the viewer application that comes with the frame grabber software installation.

The following figure shows the corresponding block diagram.

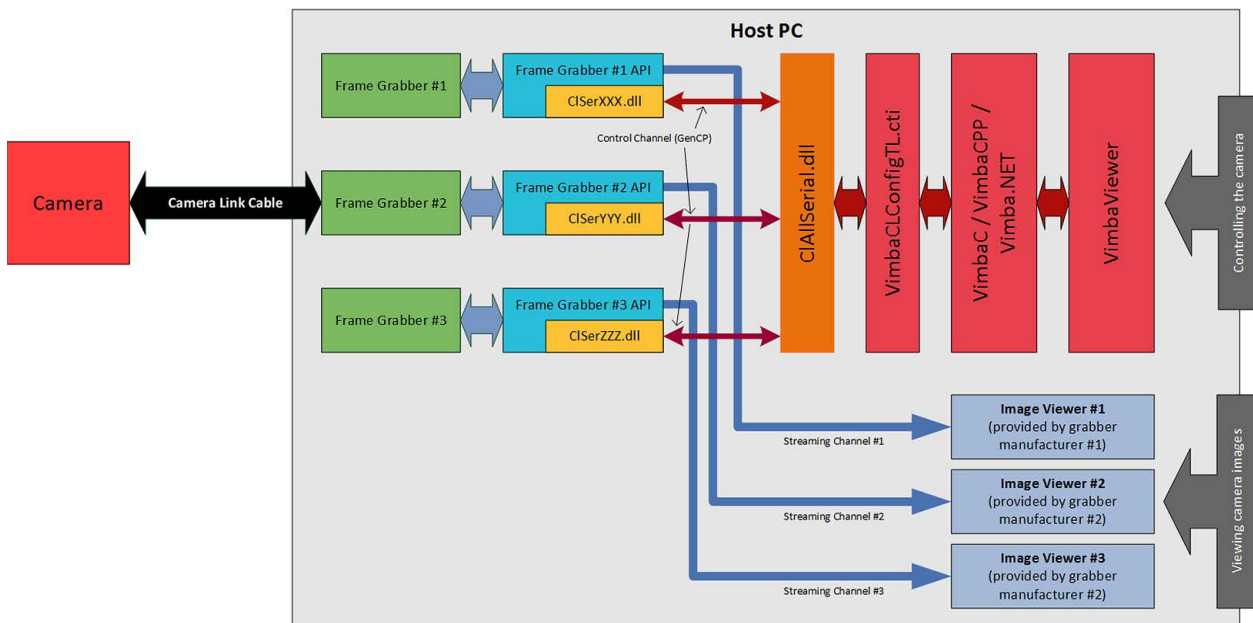


Figure 9: Vimba Config TL block diagram

Adjusting the transfer speed for your frame grabber

Not all frame grabbers support the same maximum data transfer speed. The maximum bit rate supported by various frame grabbers is vastly different. Therefore, the default bit rate for use of Vimba with Camera Link is set to the **minimum bit rate of 9600 bits per second**.

If your frame grabber supports a higher bit rate, it is advantageous to increase the bit rate in Vimba to the highest bit rate that the frame grabber supports.



Take note when changing the transfer speed

- Always change the bit rate using Vimba. Do not try to change the bit rate from within the camera, this might cause the camera to stop working and require a restart.
- The steps outlined are applicable for Vimba, they are not applicable for any frame grabber SDK.

To increase the bit rate, follow these steps:

Step 1: Open the file VimbaCLConfigTL.xml. You find it in the VIMBA_HOME directory, which is typically one of the following (for Vimba 2.1- adjust the path for Vimba 2.0 accordingly).

- C:\Program Files\Allied Vision\Vimba_2.1\VimbaCLConfigTL\bin\Win32
- C:\Program Files\Allied Vision\Vimba_2.1\VimbaCLConfigTL\bin\Win64

These XML files include the modifiable settings, by default the bit rate is denoted as follows:

```
<DefaultBaudRate>9600</DefaultBaudRate>
```

Set this number to the highest bit rate that your frame grabber supports, the highest possible value is **912600** bits per second. Save the file and close.

Step 2: Restart Vimba and restart the Goldeye CL camera.

Result: All operations requiring data exchange, especially a firmware update, increase significantly in speed.

Launching Vimba Viewer

1. Power up the camera and wait until the Camera Link Status LED stops blinking. This indicates booting is completed.
2. Launch the Vimba Viewer application and wait for the camera to appear in the **Detected Cameras** list. This may take a few seconds, depending on the number of cameras connected to the PC and the number of installed frame grabbers.

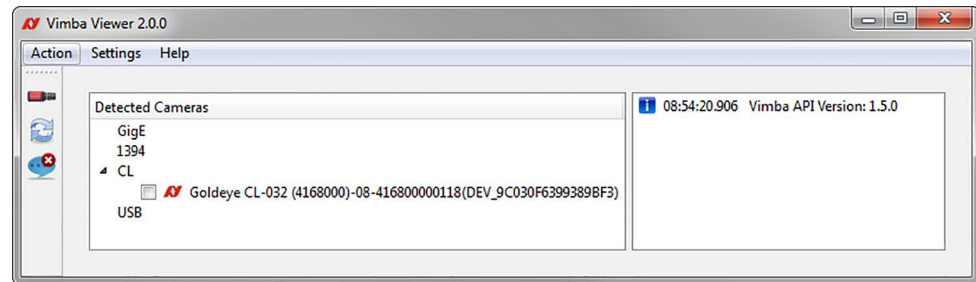


Figure 10: Vimba Viewer - camera detection window

If the camera does not appear after some time, check the following:

- Is the camera connected to the correct grabber port? If the frame grabber has two Camera Link connectors it should be connected to port 1.
 - Has the camera been powered up and booted completely before the Vimba Viewer was started? The boot process is indicated by a 1 Hz green-red flashing of the Camera Link status LED. After booting has been finished the LED stays green. It starts flickering in one of the following cases.
 - serial communication is taking place
 - images are transferred to the host
3. Select the desired camera from **Detected Cameras** list.
 4. A new camera window appears, as shown in [Figure 11 on page 65](#). This camera window consists of the following components:
 - Viewer toolbar: controls to customize the live camera view
 - Controller window: shows camera controls
 - Information window: displays camera and event information
 - Camera stats: Statistical information
 5. Launch the viewing application provided by frame grabber manufacturer.

No Plug and Play mechanism



Camera Link does not provide a Plug and Play mechanism. If a camera is attached to the frame grabber after the transport layer is loaded (during start of Vimba Viewer), the new camera will not be detected. If a camera is removed after it has been opened it can also not be detected. The **Refresh** button in the Vimba Viewer does not detect a new Camera Link camera.

Because the transport layer is for controlling the camera only, the Vimba Viewer window does not show a live image. Therefore, the histogram window will also not show any data. Image display and analysis is done via applications provided by the frame grabber manufacturer.

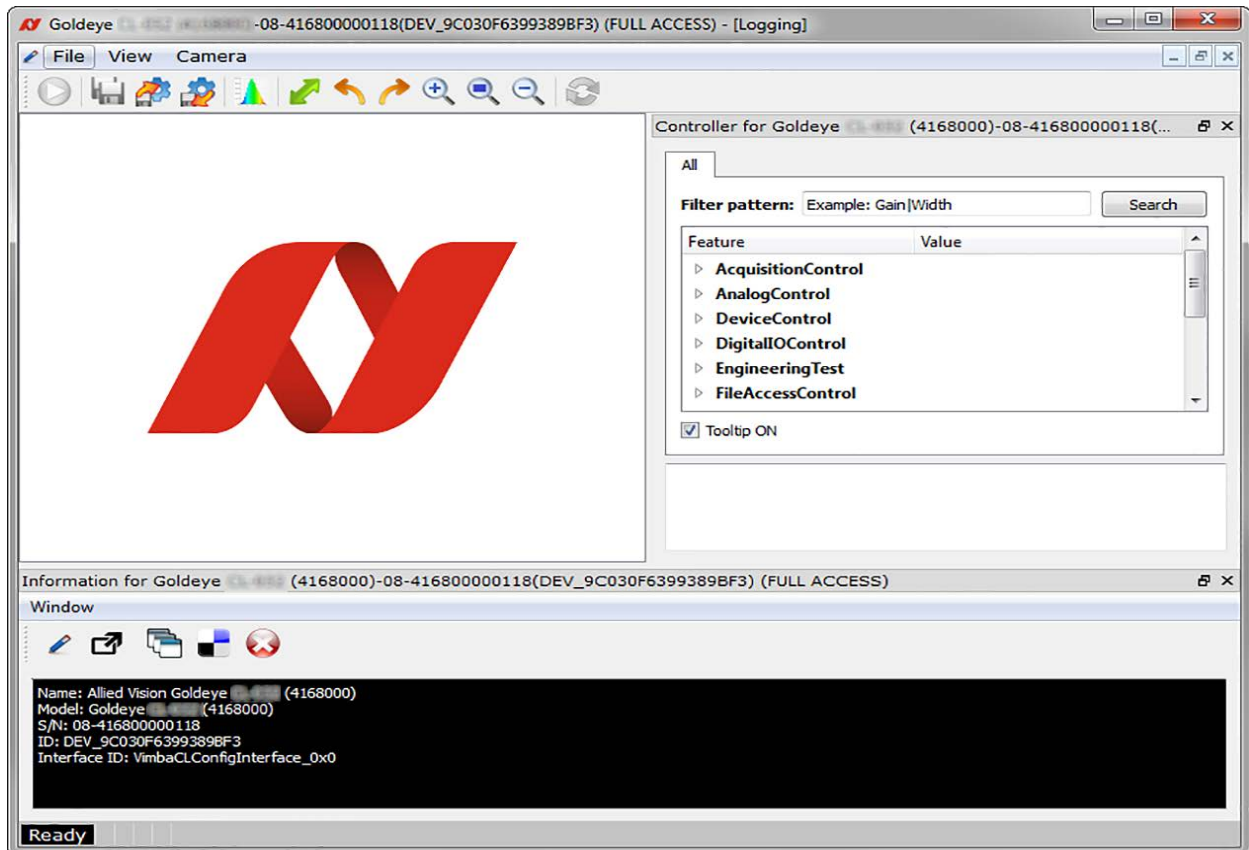


Figure 11: Vimba Viewer window



Dockable layout

The camera window supports a fully dockable layout that allows user to customize their workspace.



If components are missing in camera window

If any of the components of the camera window are missing, then do the following:

- Right-click on menu or toolbar
- Select the missing component

Adjusting camera controls: Controller window

The controller window is displayed in the top right section of the Vimba window, refer to [Figure 11 on page 65](#). It is used to configure the camera frame rate, exposure time, pixel format, and much more.

A detailed explanation of camera controls is available in the [Goldeye G/CL Features Reference](#).

Grabbing images

To grab images, use the viewer application provided by the frame grabber manufacturer. It is necessary to configure the viewer application regarding the incoming image format of the camera. We suggest for best practice:

1. Set the features **Width**, **Height**, and **PixelFormat** of the camera within the Vimba Viewer controller window.
2. Configure the equivalent parameters of the incoming image format for the frame grabber with the frame grabber viewing application identically.
3. Use the Vimba Viewer features **AcquisitionStart** and **AcquisitionStop** to start and stop image acquisition.

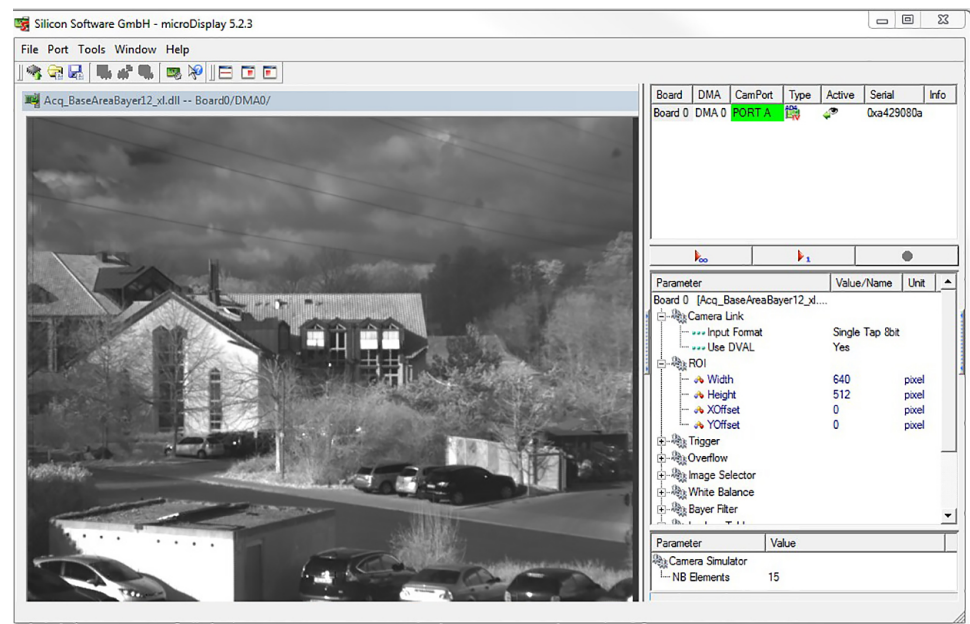


Figure 12: Example frame grabber viewer application



Grabber configuration files

You can adjust the image parameters within the application or via an external grabber configuration file, depending of the used frame grabber.

Refer to the frame grabber documentation for more information on parameter adjustment.

To obtain frame grabber configuration files, contact visit www.alliedvision.com/en/about-us/contact-us/technical-support-repair/-/rma.

Camera information: Information window

The information window is displayed in the bottom section of the Vimba window, see [Figure 15 on page 68](#). It consists of the functionalities as described.



To open the Logging window, click the logging icon, shown left. The logging window provides camera identifying information including the serial and ID number.

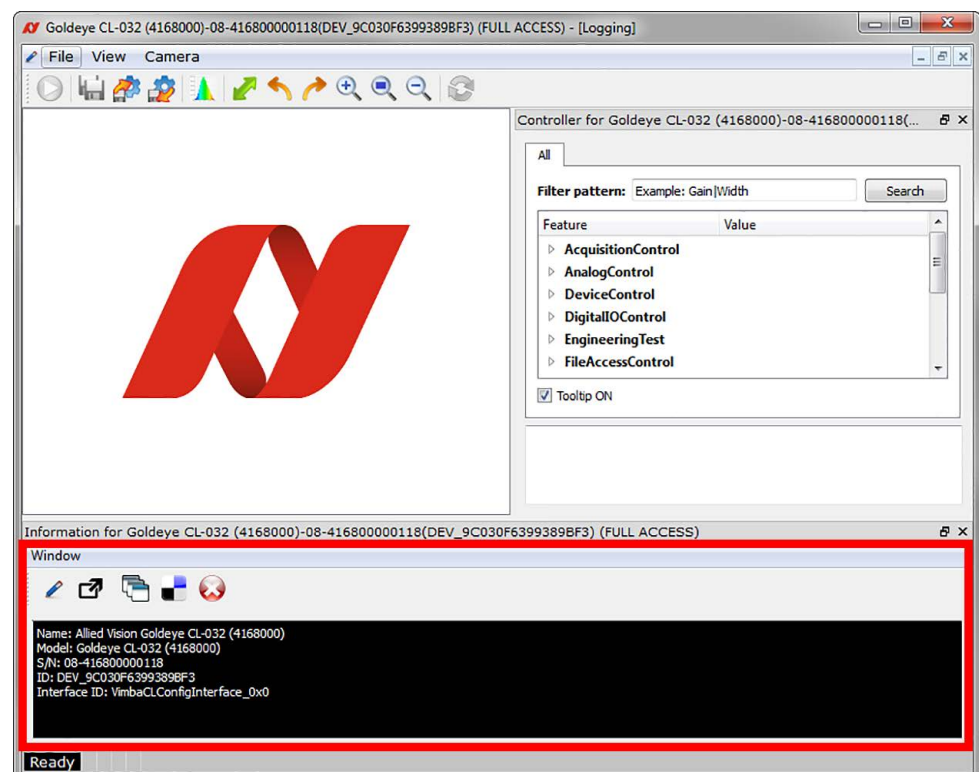


Figure 13: Vimba Viewer with logging window

Using a custom application

It is possible to access the Goldeye CL camera without using the Vimba configuration transport layer. In this case, the custom application must open the COM port of the grabber via the clallserial.dll (or clserXXX.dll) to establish a communication channel between the host and the camera. The protocol used for communication with the camera is GenICam GenCP.

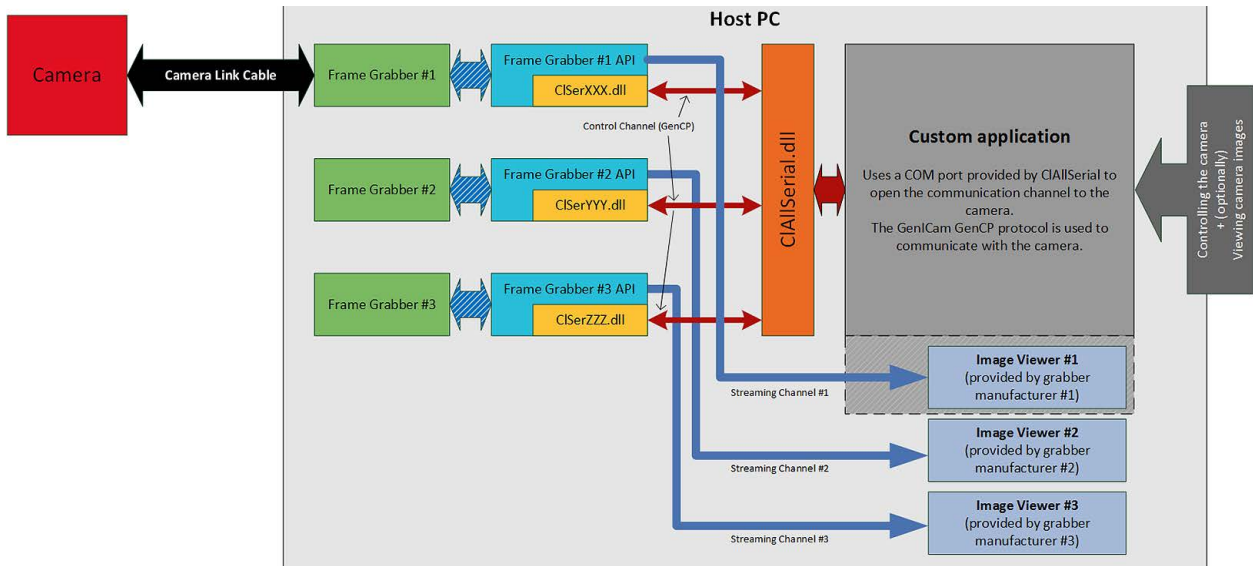


Figure 14: Custom GenCP application block diagram



Applicable standards

- The Camera Link Specification V2.0. You can download it from the AIA website: www.visiononline.org/vision-standards-details.cfm?type=6
- The GenICam GenCP V1.1. You can download it from the EMVA website: www.emva.org/standards-technology/genicam/genicam-downloads/

Using frame grabber transport layer

If you are using the transport layer provided by the manufacturer of the frame grabber, adjusting camera features and grabbing images is handled via an application from the frame grabber manufacturer.

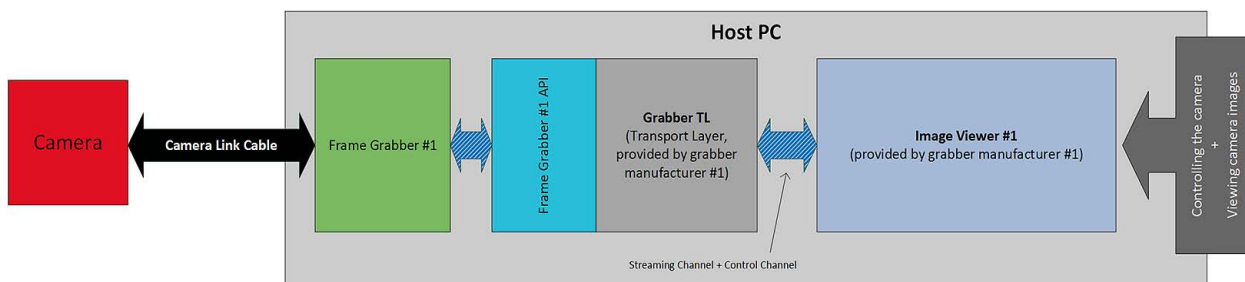


Figure 15: Frame grabber transport layer block diagram

Troubleshooting

Is the camera getting power?

Check the Camera Link status LED underneath the Camera Link port on the backside of the camera. If the camera is connected to power, the LED displays a steady green color.

Is the camera powered, but not detected in viewer?

- **Is the camera connected to the correct grabber port?**

If the frame grabber has two Camera Link connectors, it should be connected to port 1.

If the frame grabber has two Camera Link connectors, it does not necessarily mean that it is a DUAL-BASE grabber. Refer to the frame grabber manual for more information.

- **Has the camera been powered up and booted completely before the Vimba Viewer was started?**

During the boot process, the Camera Link status LED under the Camera Link port flashes with 1 Hertz in green-red. After booting has been finished, the LED stays green.

Note that no Plug and Play mechanism is available with Camera Link. If a camera is attached to the frame grabber after the transport layer is loaded (during start of Vimba Viewer), the new camera will not be detected. If a camera is removed after it has been opened it can also not be detected.

Is the camera listed in viewer, but images cannot be acquired?

- Compare the incoming image format of the frame grabber with the parameters set in the camera. Verify that width, height, and pixel format expected by the frame grabber are equal at the camera side.
- Check if the frame grabber tap configuration is the same as the camera tap configuration (`DeviceTapGeometry`).

Specifications



This chapter includes:

Model naming	71
Applied standards	73
Maximum and ROI frame rates.....	76
Specifications (GigE models).....	77
Specifications (CL models)	124
Technical drawings (GigE models)	181
Technical drawings (CL models).....	193
Sensor position accuracy	203

Model naming

In addition to family name and model name, the full designation of Goldeye models can express the temperature control or the housing as well.

Goldeye models are equipped with various active and passive temperature control devices, for example a Cool housing, or a TEC2, TEC1 or TECless sensor. These devices are not optional. Also, they are not combinable like a modular design. When present, each of them constitutes a different Goldeye model. Therefore, they reflect in the naming or name affix of the model.

Name affix for temperature control

Goldeye models that are equipped with the same sensor may be available with different temperature controls. To make an unambiguous distinction possible, the temperature control is denoted in the model name.

Name affix	Description
TEC1	Single-stage thermo-electric temperature control
TEC2	Dual-stage thermo-electric cooling
TECless	No thermo-electric cooling available

Table 9: Distinction between Goldeye models with various TEC stages

See [TEC1](#), [TEC2](#), [TECless](#) on page 276 for more information.

Example

Goldeye CL-033 is available with temperature stabilization (Goldeye CL-033 TEC1) and without temperature control (Goldeye CL-033 TECless).

Naming on product labels

On the label of Goldeye G/CL-130 and G/CL-030 VSWIR cameras with single-stage thermo- electric cooling (TEC1), only T1 is displayed (see Figure 16), as this is the official product name used in all regulatory related documentation.

Nevertheless, for convenience and to ease understanding for customers, **TEC1 is used instead of T1** in this manual and all marketing related documentation, such as data sheets, brochures, and website information.



Figure 16: Goldeye G-130 TEC1 labels - box (left), camera (right)

Name affix for housing size

Goldeye models are available in two different housing sizes. The larger, scientific models are denoted with the name affix **Cool**. In general, the Goldeye models with scientific design housing are referred to as Cool models.



Name affix	(none)	Cool
	Industrial design	Scientific design
		
Size	78 × 55 × 55 mm	90 × 80 × 80 mm
Nitrogen chamber	No	Yes
Fan	No	Yes
Temperature control	TEC1, TEC2, or TECless	TEC1 or TEC2

Table 10: Distinctions between Goldeye housing sizes

Examples

- Goldeye G-032 models are available with single-stage temperature control, and with dual-stage temperature control in a Cool housing. They are named Goldeye G-032 TEC1 and Goldeye G-032 Cool TEC2, respectively.
- Goldeye CL-008 models are available with single-stage temperature control in both housing sizes. They are named Goldeye CL-008 TEC1 and Goldeye CL-008 Cool TEC1, respectively. Note that in this case, it is impossible to distinguish both models without naming the housing size.

Applied standards

Camera Link standard (CL models)

Camera Link is a communication interface for vision applications that reduces time and costs necessary for support. Goldeye CL cameras are compliant with the Camera Link V2.0 standard. Goldeye CL cameras work with standard frame grabbers and cables.

GenICam

GenICam is the command structure for the GigE Vision camera control. GenICam is administered by the European Machine Vision Association.

GenICam establishes a common camera control interface so that third-party software can communicate with cameras from various manufacturers without customization. It is incorporated as part of the GigE Vision standard.

GenCP

The camera is to be controlled using the GenICam GenCP Generic Control Protocol. GenCP is packet based and it uses a virtual 64-bit address space that contains all control registers of the camera.



In the following, a short introduction to GenCP will be given, however it is recommended to also refer to the standard which can be downloaded here:

www.emva.org/wp-content/uploads/GenCP_1.1.pdf

GigE Vision (GigE models)

GigE Vision is an interface standard for digital machine vision cameras, developed and maintained by the Automated Imaging Association. It is built on the Gigabit Ethernet communication protocol and widely supported in the industrial imaging industry.

IP class

Equipped with a lens as intended, Goldeye G/CL cameras comply with

- IP40 class for **all cameras except Cool** models
- IP20 class for **Cool models only**

according to IEC 60529.

Shock and vibration

Goldeye G/CL cameras were successfully tested for compliance with:

- IEC 60068-2-6, Sinusoidal vibration testing
- IEC 60068-2-27, Non-repetitive shock testing
- IEC 60068-2-27, Repetitive shock testing
- IEC 60068-2-64, Random vibration testing

Cameras were inspected before and after the tests. All tests were passed successfully:

Condition	Passed
Mechanics	<ul style="list-style-type: none"> • The camera housings showed no deformations. • The connections between camera components had not come loose. • The sensor position was within the specified tolerances of a new camera.
Camera behavior	Camera functionalities were not affected, no deviations occurred.
Image streaming	Images were streamed without errors.

Table 11: Conditions for passed tests

The conditions for cameras and lenses were the same for all tests. Solid aluminum tubes were used to represent real lenses:

Parameter	Value
Lens dummy length	45 mm
Lens dummy mass	140 g

Table 12: Conditions for lenses

IEC 60068-2-6: Sinusoidal vibration

Frequency	Acceleration	Displacement	Tolerances	
10 Hz	Not applicable	1.5 mm	-10%	10%
58.1 Hz	Not applicable	1.5 mm		
500 Hz	200 g	Not applicable		

Table 13: Frequency, acceleration, and displacement for IEC 60068-6 tests

Parameter	Value
Axis ¹	x, y, z
Sweep rate	1 oct/min
Sweep duration per axis [hh:mm:ss]	03:45:40
Number of sweeps	40

¹For technical reasons, all three axes were tested in a shaker in the upright position without a sliding table.

Table 14: Other parameters for IEC 60068-6 tests

IEC 60068-2-27: Shock

Parameter	Value
Axis	x, y, z
Acceleration	50 g
Number of shocks per axis	3
Duration per axis	11 ms
Waveform	Half sine

Table 15: Parameters for IEC 60068-2-27 tests, non-repetitive

Parameter	Value
Axis	x, y, z
Acceleration	25 g
Number of shocks per axis	500
Duration per axis	6 ms
Waveform	Half sine

Table 16: Parameters for IEC 60068-2-27 tests, repetitive

IEC 60068-2-64: Random vibration

Frequency	Acceleration
5 Hz to 500 Hz	0.05 g ² /Hz

Table 17: Frequency and acceleration for IEC 60068-2-64 tests

Parameter	Value
Axis	x, y, z
Acceleration RMS (Sigma)	4.9 g
Duration per axis [hh:mm:ss]	00:30:00

Table 18: Other parameters for IEC 60068-64 tests

Maximum and ROI frame rates

Frame rate values in this chapter apply to a setup using:

- Mono8 pixel format
- 115 MBps bandwidth.

If bandwidth is reduced by using `DeviceLinkThroughputLimit` or if pixel formats with a higher bit depth are used, frame rates are decreased.



To achieve maximum frame rates...

... for different formats, you may have to change the GigE streaming features, particularly to adjust the GigE packet size. Observe:

- Smaller packets may be advantageous if using small ROIs
- Larger packets may be advantageous if using larger ROIs

Frame rates and temperature control

The following table displays a summary of the key sensor specifications of all Goldeye models. For more detailed information about temperature control in Goldeye cameras, refer to the section on [Temperature control](#) on page 275.

Goldeye SWIR models

Models	Sensor	Resolution	Frame rate	Temperature control
G/CL-008 TEC1	InGaAs FPA	320 × 256	344 fps	FPA cooling and heating: TEC1, Min. $\Delta T = 20K$
G/CL-008 Cool TEC1	InGaAs FPA	320 × 256	344 fps	FPA cooling and heating: TEC1, Min. $\Delta T = 30K$
G/CL-032 TEC1	InGaAs FPA	636 × 508	100 fps	FPA cooling: TEC1, Min. $\Delta T = 30K$
G/CL-032 Cool TEC2	InGaAs FPA	636 × 508	100 fps	FPA cooling: TEC2, Min. $\Delta T = 60K$
G/CL-033 TEC1	InGaAs FPA	640 × 512	301 fps	FPA cooling: TEC1, Min. $\Delta T = 25K$
G/CL-033 TECless	InGaAs FPA	640 × 512	301 fps	Without thermo-electric cooling
G/CL-034 TEC1	InGaAs FPA	636 × 508	303 fps	FPA cooling: TEC1, Min. $\Delta T = 25k$

Table 19: Goldeye SWIR models key specifications_

Goldeye VSWIR models

Models	Sensor	Resolution	Frame rate	Temperature control
G/CL-030 TEC1	InGaAs FPA	656 × 520	234 fps	FPA cooling: TEC1, Min. $\Delta T = 25K$
G/CL-130 TEC1	InGaAs FPA	1280 × 1024	94 fps	FPA cooling: TEC1, Min. $\Delta T = 25K$

Table 20: Goldeye VSWIR models key specifications

Specifications (GigE models)

Goldeye G-008 TEC1

Imaging and performance

Parameter	Values
Sensor	InGaAs, progressive scan, electronic full frame shutter
Sensor type	FPA
Spectral range	900 nm to 1700 nm
Resolution (H) × (V)	320 × 256
Pixel size	30 μm × 30 μm
Effective chip size	9.6 mm × 7.68 mm
Dark current (at +25 °C FPA temperature)	280 ke ⁻ /s
Temporal dark noise (Gain0)	420 e ⁻
Temporal dark noise (Gain1)	170 e ⁻
Saturation capacity (Gain0)	2.5 Me ⁻
Saturation capacity (Gain1)	170 ke ⁻
Dynamic range (Gain0)	75 dB
Dynamic range (Gain1)	60 dB
Pixel operability	>99.5%
Max. frame rate at full resolution	344 fps
Exposure time	6 μs to 200 ms ¹
Temperature control	Single-stage thermo-electric cooling and heating (TEC1)
Analog gain factor	1 (Gain0), 15 (Gain1)
A/D converter	14-bit
Image buffer size	256 MB
Stream hold capacity	1524 frames at full resolution

¹ Maximum exposure value given is valid for Gain0 and sensor temperature of +25 °C. Even longer exposures can be set, but the image quality may deteriorate.

Table 21: Goldeye G-008 TEC1 imaging and performance

Output

Parameter	Values
Digital interface	GigE Vision (based on IEEE 802.3 1000BASE-T)
Bit depth	8-bit, 12-bit, 14-bit
Pixel formats	Mono8, Mono12, Mono12Packed, Mono14

Table 22: Goldeye G-008 TEC1 output

GPIOs

Parameter	Values
Opto-isolated I/Os	1 input, 2 outputs
RS232	up to 115,200 bits per second, 8N1 (adjustable)
LVTTL I/Os	1 input, 1 output

Table 23: Goldeye G-008 TEC1 GPIOs

Mechanics

Parameter	Values
Body dimensions (L × W × H) without lens adapter	78 mm × 55 mm × 55 mm
Lens mounts	C-Mount, F-Mount, M42-Mount
Mass, body only, without adapter	320 g
Mass, with C-Mount adapter	340 g
Mass, with F-Mount adapter	390 g
Mass, with M42-Mount adapter	360 g

Table 24: Goldeye G-008 TEC1 mechanics

Operating conditions

Parameter	Values
Operating temperature	-20 °C to +55 °C (housing)
Storage temperature	-30 °C to +70 °C (ambient)
Sensor cooling temperature, setpoints ¹	<ul style="list-style-type: none"> +25 °C (default and calibrated) +20 °C, +35 °C, +50 °C (uncalibrated) User-configurable
Relative humidity	10% to 95%, non-condensing
Power requirements (DC)	<ul style="list-style-type: none"> 10.8 V to 30.0 V PoE (IEEE 802.3at Type 1 Class 0)
Max. power consumption	<ul style="list-style-type: none"> 10.8 W (12 VDC) <12.95 W (PoE)
Typical power consumption without cooling	<ul style="list-style-type: none"> 5 W (12 VDC) 6.5 W (PoE)

¹ Even though the first temperature setpoint is pre-configured to +20 °C, it is possible to set it to a lower temperature. However, if the sensor temperature is lower than the ambient temperature, especially in humid environments, condensation may occur.

Table 25: Goldeye G-008 TEC1 operating conditions

Absolute QE

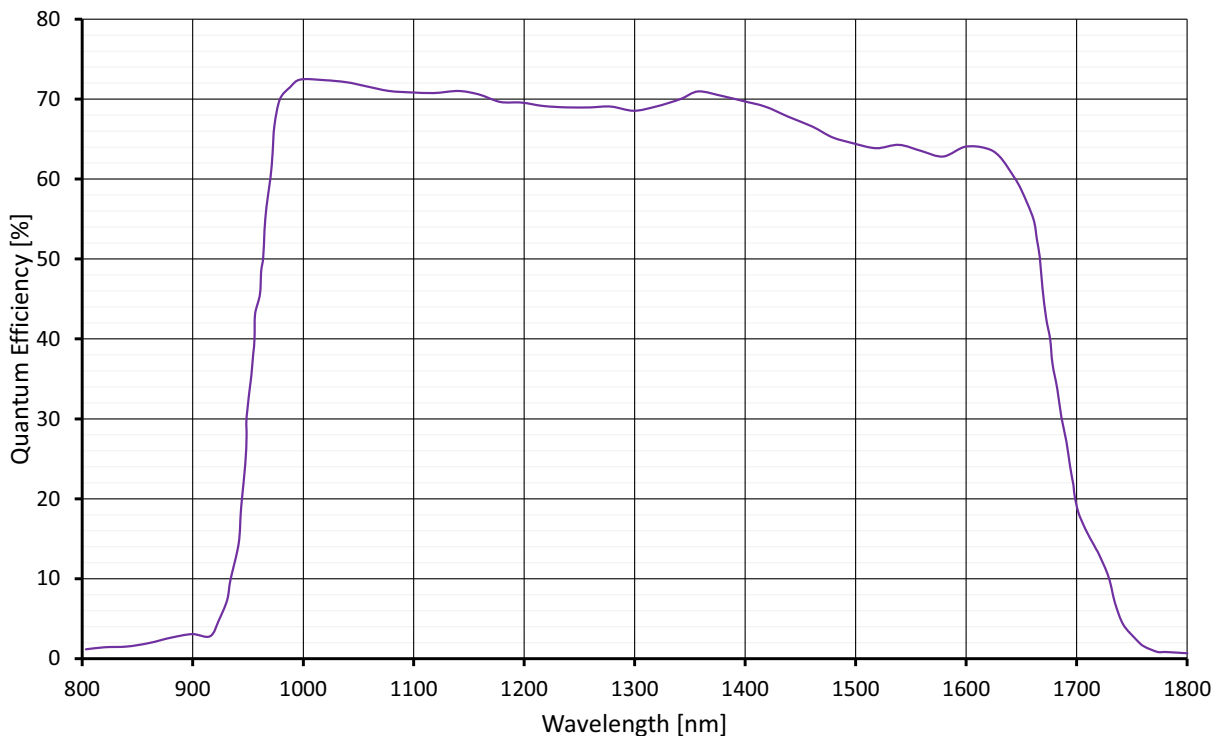


Figure 17: Goldeye G-008 TEC1 absolute QE

Resolution and ROI frame rates

The maximum frame rate achievable with Goldeye G-008 TEC1 (in frames per second) is determined by the ROI size. Calculate the maximum frame rate using the following formula.

$$\text{FrameRate} = \frac{10,000,000}{\left[(V + 2) \times \left(\frac{H}{4} + 32 \right) \right] + 171}$$

H	ROI: horizontal resolution (width). The formula is valid if $H \geq 128$. For H always use the value rounded up to the next multiple of 8.
V	ROI: vertical resolution (height). The formula is valid if $V \geq 8$. For V always use the value rounded up to the next multiple of 2.

When using the formula, please consider the following:

- Round the denominator down to the next full μs .
- Minimum ROI width is 8 pixels, minimum ROI height is 4 pixels.
- The formula generally outputs very exact values, however when the ROI approaches its minimum size, the accuracy decreases by some degree.
- Computational limitations of the host and image capture software may prevent the camera from achieving maximum frame rates.

Formula 1: Maximum frame rate possible with Goldeye G-008 TEC1

Examples for maximum frame rates possible with Goldeye G-008 TEC1, using a number of common resolutions, are listed in the following table.

Resolution		Remarks	Max. frame rate [fps]
Width	Height		
320	256	Sensor full resolution	344
320	240	QVGA	366
160	120	QQVGA	1117
128	32	(None)	4273
≤ 128	≤ 8	For all resolutions smaller than this, the frame rate remains the same.	≥ 12345

Table 26: Goldeye G-008 TEC1 image resolutions and resulting maximum frame rates in frames per second

Goldeye G-008 Cool TEC1

Imaging and performance

Parameter	Values
Sensor	InGaAs, progressive scan, electronic full frame shutter
Sensor type	FPA
Spectral range	900 nm to 1700 nm
Resolution (H) × (V)	320 × 256
Pixel size	30 μm × 30 μm
Effective chip size	9.6 mm × 7.68 mm
Dark current (at +5 °C FPA temperature)	160 ke ⁻ /s
Temporal dark noise (Gain0)	420 e ⁻
Temporal dark noise (Gain1)	170 e ⁻
Saturation capacity (Gain0)	2.5 Me ⁻
Saturation capacity (Gain1)	170 ke ⁻
Dynamic range (Gain0)	75 dB
Dynamic range (Gain1)	60 dB
Pixel operability	>99.5%
Max. frame rate at full resolution	344 fps
Exposure time	6 μs to 1250 ms ¹
Temperature control	Single-stage thermo-electric cooling and heating (TEC1)
Analog gain factor	1 (Gain0), 15 (Gain1)
A/D converter	14-bit
Image buffer size	256 MB
Stream hold capacity	1524 frames at full resolution

¹ Maximum exposure value given is valid for Gain0 and sensor temperature of +5 °C. Even longer exposures can be set, but the image quality may deteriorate.

Table 27: Goldeye G-008 Cool TEC1 imaging and performance

Output

Parameter	Values
Digital interface	GigE Vision (based on IEEE 802.3 1000BASE-T)
Bit depth	8-bit, 12-bit, 14-bit
Pixel formats	Mono8, Mono12, Mono12Packed, Mono14

Table 28: Goldeye G-008 Cool TEC1 output

GPIOs

Parameter	Values
Opto-isolated I/Os	1 input, 2 outputs
RS232	up to 115,200 bits per second, 8N1 (adjustable)
LVTTL I/Os	1 input, 1 output

Table 29: Goldeye G-008 Cool TEC1 GPIOs

Mechanics

Parameter	Values
Body dimensions (L × W × H) without lens adapter	90 mm × 80 mm × 80 mm
Lens mounts	<ul style="list-style-type: none"> C-Mount F-Mount and M42-Mount available on request
Mass, body only, without adapter	770 g
Mass, with C-Mount adapter	790 g
Mass, with F-Mount adapter	840 g
Mass, with M42-Mount adapter	810 g

Table 30: Goldeye G-008 Cool TEC1 mechanics

Operating conditions

Parameter	Values
Operating temperature	-20 °C to +55 °C (housing)
Storage temperature	-30 °C to +70 °C (ambient)
Sensor cooling temperature, setpoints	<ul style="list-style-type: none"> • +5 °C (default and calibrated) • -5 °C, +10 °C, +20 °C (uncalibrated) • User-configurable
Relative humidity	10% to 95%, non-condensing
Power requirements (DC)	<ul style="list-style-type: none"> • 10.8 V to 30.0 V • PoE (IEEE 802.3at Type 1 Class 0)
Max. power consumption	<ul style="list-style-type: none"> • 10.7 W (12 VDC) • <12.95 W (PoE)
Typical power consumption without cooling	<ul style="list-style-type: none"> • 4.9 W (12 VDC) • 6.6 W (PoE)

Table 31: Goldeye G-008 Cool TEC1 operating conditions

Absolute QE



Figure 18: Goldeye G-008 Cool TEC1 absolute QE

Resolution and ROI frame rates

The maximum frame rate achievable with Goldeye G-008 Cool TEC1 (in frames per second) is determined by the ROI size. Calculate the maximum frame rate using the following formula.

$$\text{FrameRate} = \frac{10,000,000}{\left[(V + 2) \times \left(\frac{H}{4} + 32 \right) \right] + 171}$$

H	ROI: horizontal resolution (width). The formula is valid if $H \geq 128$. For H always use the value rounded up to the next multiple of 8.
V	ROI: vertical resolution (height). The formula is valid if $V \geq 8$. For V always use the value rounded up to the next multiple of 2.

When using the formula, please consider the following:

- Round the denominator down to the next full μs .
- Minimum ROI width is 8 pixels, minimum ROI height is 4 pixels.
- The formula generally outputs very exact values, however when the ROI approaches its minimum size, the accuracy decreases by some degree.
- Computational limitations of the host and image capture software may prevent the camera from achieving maximum frame rates.

Formula 2: Maximum frame rate possible with Goldeye G-008 Cool TEC1

Examples for maximum frame rates possible with Goldeye G-008 Cool TEC1, using a number of common resolutions, are listed in the following table.

Resolution		Format name	Max. frame rate [fps]
Width	Height		
320	256	Sensor full resolution	344
320	240	QVGA	366
160	120	QQVGA	1117
128	32	(None)	4273
≤ 128	≤ 8	For all resolutions smaller than this, the frame rate remains the same.	≥ 12345

Table 32: Goldeye G-008 Cool TEC1 image resolutions and resulting maximum frame rates in frames per second

Goldeye G-030 TEC1

Imaging and performance

Parameter	Values
Sensor model	Sony IMX991 SenSWIR
Sensor type	InGaAs
Sensor format	Type 1/4 (4.1 mm diagonal)
Shutter type	Global shutter
Spectral range	400 nm to 1700 nm
Resolution	656 (H) × 520 (V)
Pixel size	5 μm × 5 μm
Effective chip size	3.28 mm × 2.6 mm
Dark current (at +20 °C FPA temperature)	4.8 ke ⁻ /s
Temporal dark noise (0 dB)	250 e ⁻
Temporal dark noise (18 dB)	210 e ⁻
Saturation capacity (0 dB)	165 ke ⁻
Saturation capacity (18 dB)	17.2 ke ⁻
Dynamic range (0 dB)	56.4 dB
Dynamic range (18 dB)	38.2 dB
Pixel operability	>99.5%
Exposure time	16 μs to 200 ms ¹ (Normal ²) 3 μs to 7 μs (Ultrashort ²)
Max. frame rate at full resolution	234 fps
Temperature control	Single-stage thermo-electric cooling (TEC1)
Analog gain factor	1 (0 dB), 7.9 (18 dB)
A/D converter	12-bit
Image buffer size	256 MB
Stream hold capacity	370 frames at full resolution
¹ Maximum exposure value given is valid for 0 dB and sensor temperature of +20 °C. Even longer exposures can be set, but the image quality may deteriorate.	
² Values for ExposureRangeMode = <i>Normal</i> or <i>Ultrashort</i>	

Table 33: Goldeye G-030 TEC1 imaging and performance

Output

Parameter	Values
Digital interface	GigE Vision (based on IEEE 802.3 1000BASE-T)
Bit depth	8-bit, 12-bit
Pixel formats	Mono8, Mono12, Mono12Packed

Table 34: Goldeye G-030 TEC1 output

GPIOs

Parameter	Values
Opto-isolated I/Os	1 input, 2 outputs
RS232	up to 115,200 bits per second, 8N1 (adjustable)
LVTTL I/Os	1 input, 1 output

Table 35: Goldeye G-030 TEC1 GPIOs

Mechanics

Parameter	Values
Body dimensions (L × W × H) without lens mount adapter	78 mm × 55 mm × 55 mm
Lens mount	C-Mount
Mass, including lens mount	340 g

Table 36: Goldeye G-030 TEC1 mechanics

Operating conditions

Parameter	Values
Operating temperature	-20 °C to +55 °C (housing)
Storage temperature	-30 °C to +70 °C (ambient)
Sensor cooling temperature, setpoints	<ul style="list-style-type: none"> • +20 °C (default and calibrated) • +5 °C, +35 °C, +50 °C (uncalibrated) • User-configurable
Relative humidity	10% to 95%, non-condensing
Power requirements (DC)	<ul style="list-style-type: none"> • 10.8 V to 30.0 V • PoE (IEEE 802.3at Type 1 Class 0)
Max. power consumption	<ul style="list-style-type: none"> • 10.8 W (12 VDC) • <12.95 W (PoE)
Typical power consumption without cooling	<ul style="list-style-type: none"> • 5.6 W (12 VDC) • 7.2 W (PoE)

Table 37: Goldeye G-030 TEC1 operating conditions

Relative QE

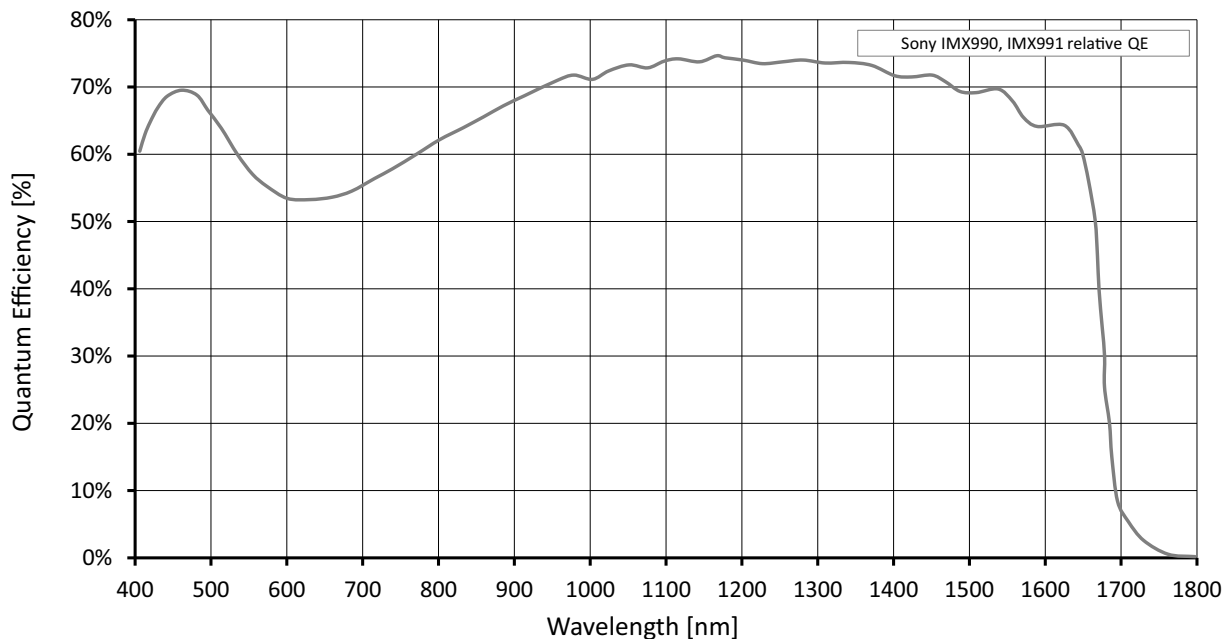


Figure 19: Goldeye G-030 TEC1 relative QE

Resolution and ROI frame rates

The maximum frame rate achievable with Goldeye G-030 models (in frames per second) is determined by the ROI size. Calculate the maximum frame rate using the following formula.

$$\text{SensorFrameRate} = \frac{\text{PF}}{V + 36}$$

PF	Pixel format factor <ul style="list-style-type: none"> • Mono8: 130208.33 • Mono12: 75604.84 • Mono12p: 75604.84
V	ROI: vertical resolution (height). The formula is valid if $V \geq 8$. For V always use the value rounded up to the next multiple of 8.

When using the formula, please consider the following:

- The formula serves as a rough estimation.
- Valid for IntegrateWhileRead-Mode only.
- ROI minimum width and height are 8 pixels.
- Exposure time may reduce the frame rate.
- Computational limitations of the host and image capture software may prevent the camera from achieving maximum frame rates.

Formula 3: Maximum frame rate possible with Goldeye G-030 TEC1

Examples for maximum frame rates possible with Goldeye G-030 TEC1, using a number of common resolutions, are listed in the following table.

Resolution		Format name	Max. frame rate [fps]
Width	Height		
656	520	Sensor full resolution	234
640	480	VGA	252
320	240	QVGA	471
160	120	QQVGA	834
656	260	Maximum × half	439
656	8	Maximum × minimum	2959
8	520	Minimum × maximum	234
8	8	Minimum × minimum	2959

Table 38: Goldeye G-030 TEC1 image resolutions and resulting maximum achievable frame rates in frames per second

Goldeye G-032 TEC1

Imaging and performance

Parameter	Values
Sensor	InGaAs, progressive scan, electronic full frame shutter
Sensor type	FPA
Spectral range	900 nm to 1700 nm
Resolution (H) × (V)	636 × 508
Pixel size	25 μm × 25 μm
Effective chip size	15.9 mm × 12.7 mm
Dark current (at +20 °C FPA temperature)	380 ke ⁻ /s
Temporal dark noise (Gain0)	400 e ⁻
Temporal dark noise (Gain1)	170 e ⁻
Saturation capacity (Gain0)	1.9 Me ⁻
Saturation capacity (Gain1)	39 ke ⁻
Dynamic range (Gain0)	73 dB
Dynamic range (Gain1)	47 dB
Pixel operability	>99.5%
Exposure time	6 μs to 200 ms ¹
Max. frame rate at full resolution	100 fps
Temperature control	Single-stage thermo-electric cooling (TEC1)
Analog gain factor	1 (Gain0), 50 (Gain1)
A/D converter	14-bit
Image buffer size	256 MB
Stream hold capacity	397 frames at full resolution

¹ Maximum exposure value given is valid for Gain0 and sensor temperature of +25 °C. Even longer exposures can be set, but the image quality may deteriorate.

Table 39: Goldeye G-032 TEC1 imaging and performance

Output

Parameter	Values
Digital interface	GigE Vision (based on IEEE 802.3 1000BASE-T)
Bit depth	8-bit, 12-bit, 14-bit
Pixel formats	Mono8, Mono12, Mono12Packed, Mono14

Table 40: Goldeye G-032 TEC1 output

GPIOs

Parameter	Values
Opto-isolated I/Os	1 input, 2 outputs
RS232	up to 115,200 bits per second, 8N1 (adjustable)
LVTTL I/Os	1 input, 1 output

Table 41: Goldeye G-032 TEC1 GPIOs

Mechanics

Parameter	Values
Body dimensions (L × W × H) without lens adapter	78 mm × 55 mm × 55 mm
Lens mounts	C-Mount, F-Mount, M42-Mount
Mass, body only, without adapter	350 g
Mass, with C-Mount adapter	370 g
Mass, with F-Mount adapter	420 g
Mass, with M42-Mount adapter	390 g

Table 42: Goldeye G-032 TEC1 mechanics

Operating conditions

Parameter	Values
Operating temperature	-20 °C to +55 °C (housing)
Storage temperature	-30 °C to +70 °C (ambient)
Sensor cooling temperature, setpoints	<ul style="list-style-type: none"> • +20 °C (default and calibrated) • +5 °C, +35 °C, +50 °C (uncalibrated) • User-configurable
Relative humidity	10% to 95%, non-condensing
Power requirements (DC)	<ul style="list-style-type: none"> • 10.8 V to 30.0 V • PoE (IEEE 802.3at Type 1 Class 0)
Max. power consumption	<ul style="list-style-type: none"> • 10.8 W (12 VDC) • <12.95 W (PoE)
Typical power consumption without cooling	<ul style="list-style-type: none"> • 5 W (12 VDC) • 6.5 W (PoE)

Table 43: Goldeye G-032 TEC1 operating conditions

Absolute QE

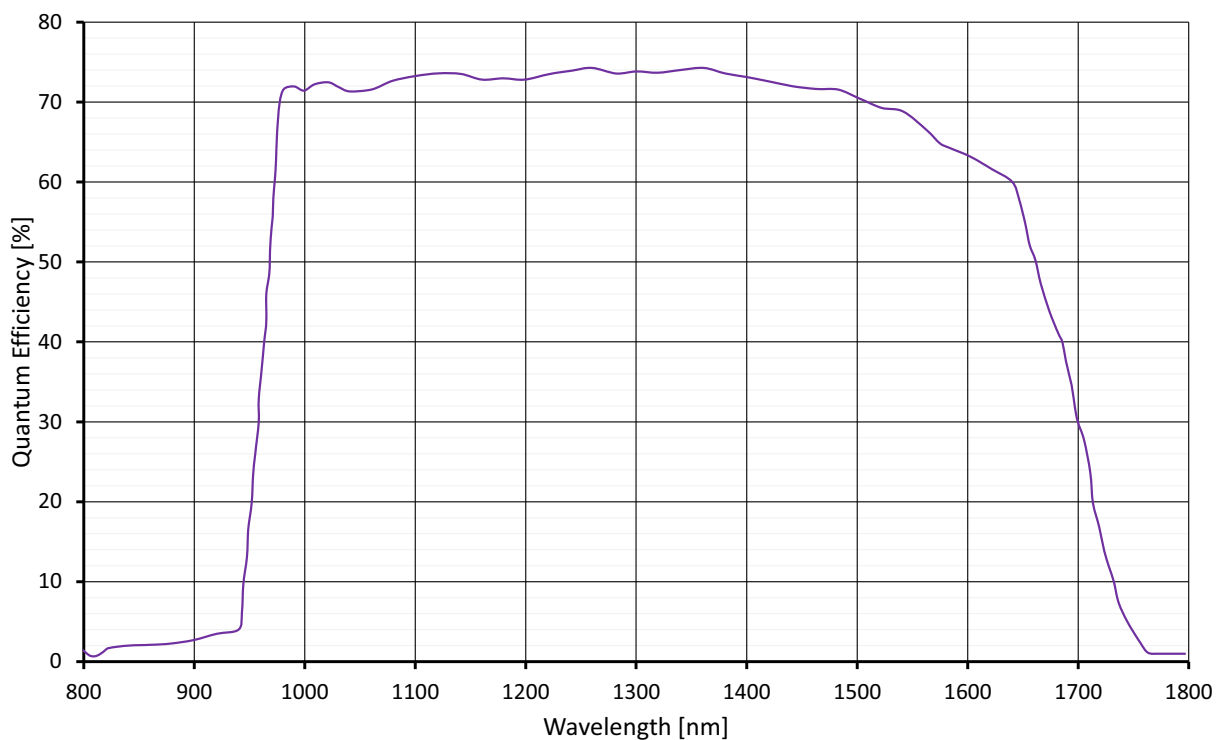


Figure 20: Goldeye G-032 TEC1 absolute QE

Resolution and ROI frame rates

The maximum frame rate achievable with Goldeye G-032 TEC1 (in frames per second) is determined by the ROI size. Calculate the maximum frame rate using the following formula.

$$\text{FrameRate} = \frac{10,000,000}{\left[(V + 4) \times \left(\frac{H}{4} + 32 \right) \right] + 131}$$

H	ROI: horizontal resolution (width). The formula is valid if $H \geq 128$. For H always use the value rounded up to the next multiple of 16.
V	ROI: vertical resolution (height). The formula is valid if $V \geq 8$. For V always use the value rounded up to the next multiple of 4.

When using the formula, please consider the following:

- Round the denominator down to the next full μs .
- Minimum ROI width is 8 pixels, minimum ROI height is 4 pixels.
- The formula generally outputs very exact values, however when the ROI approaches its minimum size, the accuracy decreases by some degree.
- Computational limitations of the host and image capture software may prevent the camera from achieving maximum frame rates.

Formula 4: Maximum frame rate possible with Goldeye G-032 TEC1

Examples for maximum frame rates possible with Goldeye G-032 TEC1, using a number of common resolutions, are listed in the following table.

Resolution		Format name	Max. frame rate [fps]
Width	Height		
636	508	Sensor full resolution	100
636	480	Approx. matches VGA format	107
320	240	QVGA	351
160	120	QQVGA	1047
≤ 128	≤ 8	For all resolutions smaller than this, the frame rate remains the same.	11123

Table 44: Goldeye G-032 TEC1 image resolutions and resulting maximum frame rates in frames per second

Goldeye G-032 Cool TEC2

Imaging and performance

Parameter	Values
Sensor	InGaAs, progressive scan, electronic full frame shutter
Sensor type	FPA
Spectral range	900 nm to 1700 nm
Resolution (H) × (V)	636 × 508
Pixel size	25 μm × 25 μm
Effective chip size	15.9 mm × 12.7 mm
Dark current (at -20 °C FPA temperature)	30 ke ⁻ /s
Temporal dark noise (Gain0)	400 e ⁻
Temporal dark noise (Gain1)	170 e ⁻
Saturation capacity (Gain0)	1.9 Me ⁻
Saturation capacity (Gain1)	39 ke ⁻
Dynamic range (Gain0)	73 dB
Dynamic range (Gain1)	47 dB
Pixel operability	>99.5%
Exposure time	6 μs to 1250 ms ¹
Max. frame rate at full resolution	100 fps
Temperature control	Dual-stage thermo-electric cooling (TEC2)
Analog gain factor	1 (Gain0), 50 (Gain1)
A/D converter	14-bit
Image buffer size	256 MB
Stream hold capacity	397 frames at full resolution

¹ Maximum exposure value given is valid for Gain0 and sensor temperature of -20 °C. Even longer exposures can be set, but the image quality may deteriorate.

Table 45: Goldeye G-032 Cool TEC2 imaging and performance

Output

Parameter	Values
Digital interface	GigE Vision (based on IEEE 802.3 1000BASE-T)
Bit depth	8-bit, 12-bit, 14-bit
Pixel formats	Mono8, Mono12, Mono12Packed, Mono14

Table 46: Goldeye G-032 Cool TEC2 output

GPIOs

Parameter	Values
Opto-isolated I/Os	1 input, 2 outputs
RS232	up to 115,200 bits per second, 8N1 (adjustable)
LVTTTL I/Os	1 input, 1 output

Table 47: Goldeye G-032 Cool TEC2 GPIOs

Mechanics

Parameter	Values
Body dimensions (L × W × H) without lens adapter	90 mm × 80 mm × 80 mm
Lens mounts	C-Mount, F-Mount, M42-Mount
Mass, body only, without adapter	790 g
Mass, with C-Mount adapter	810 g
Mass, with F-Mount adapter	860 g
Mass, with M42-Mount adapter	830 g

Table 48: Goldeye G-032 Cool TEC2 mechanics

Operating conditions

Parameter	Values
Operating temperature	-20 °C to +55 °C (housing)
Storage temperature	-30 °C to +70 °C (ambient)
Sensor cooling temperature, setpoints	<ul style="list-style-type: none"> -20 °C (default and calibrated) -5 °C, +10 °C (uncalibrated) User-configurable
Relative humidity	10% to 95%, non-condensing
Power requirements (DC)	<ul style="list-style-type: none"> 10.8 V to 30.0 V PoE+ (IEEE 802.3at Type 2 Class 4)
Max. power consumption	<ul style="list-style-type: none"> 19 W (12 VDC) 22 W (PoE+)
Typical power consumption without cooling	<ul style="list-style-type: none"> 6 W (12 VDC) 8 W (PoE+)

Table 49: Goldeye G-032 Cool TEC2 operating conditions

Absolute QE

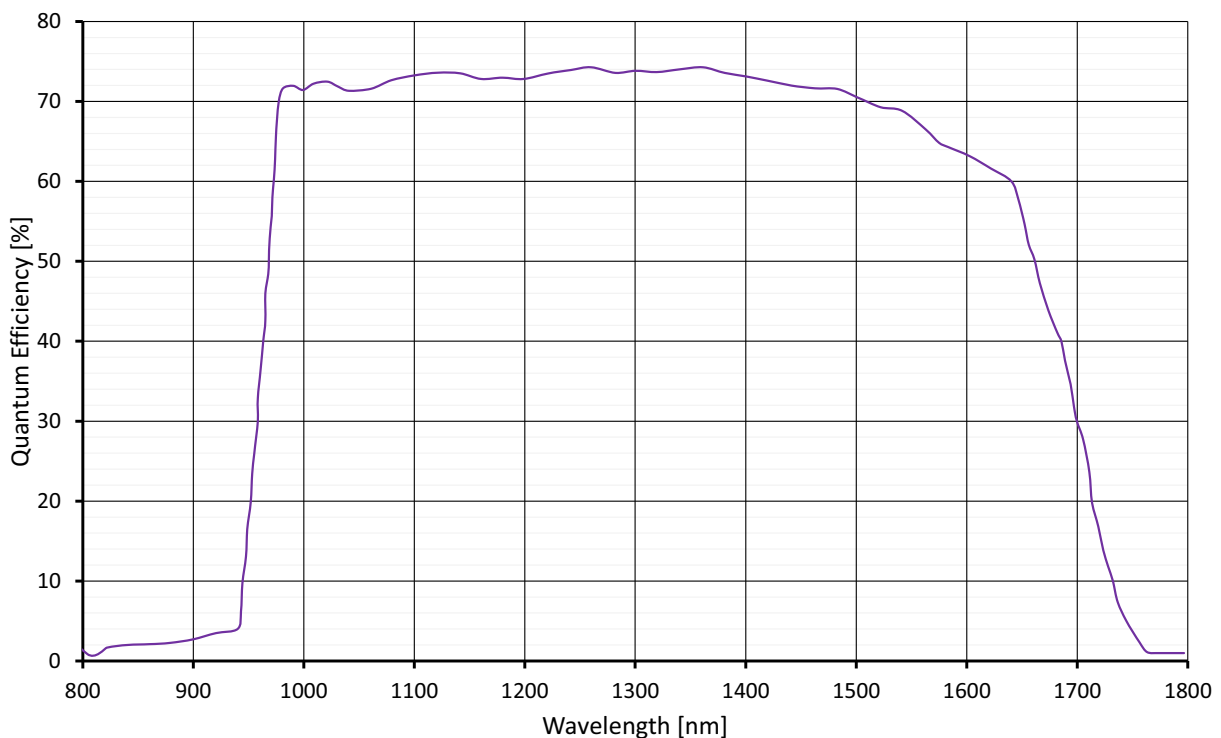


Figure 21: Goldeye G-032 Cool TEC2 absolute QE

Resolution and ROI frame rates

The maximum frame rate achievable with Goldeye G-032 Cool TEC2 (in frames per second) is determined by the ROI size. Calculate the maximum frame rate using the following formula.

$$\text{FrameRate} = \frac{10,000,000}{\left[(V + 4) \times \left(\frac{H}{4} + 32 \right) \right] + 131}$$

H	ROI: horizontal resolution (width). The formula is valid if $H \geq 128$. For H always use the value rounded up to the next multiple of 16.
V	ROI: vertical resolution (height). The formula is valid if $V \geq 8$. For V always use the value rounded up to the next multiple of 4.

When using the formula, please consider the following:

- Round the denominator down to the next full μs .
- Minimum ROI width is 8 pixels, minimum ROI height is 4 pixels.
- The formula generally outputs very exact values, however when the ROI approaches its minimum size, the accuracy decreases by some degree.
- Computational limitations of the host and image capture software may prevent the camera from achieving maximum frame rates.

Formula 5: Maximum frame rate possible with Goldeye G-032 Cool TEC2

Examples for maximum frame rates possible with Goldeye G-032 Cool TEC2, using a number of common resolutions, are listed in the following table.

Resolution		Format name	Max. frame rate [fps]
Width	Height		
636	508	Sensor full resolution	100
636	480	Approx. matches VGA format	107
320	240	QVGA	351
160	120	QQVGA	1047
≤ 128	≤ 8	For all resolutions smaller than this, the frame rate remains the same.	11123

Table 50: Goldeye G-032 Cool TEC2 image resolutions and resulting maximum frame rates in frames per second

Goldeye G-033 TEC1

Imaging and performance

Parameter	Values
Sensor	InGaAs, progressive scan, electronic full frame shutter
Sensor type	FPA
Spectral range	900 nm to 1700 nm
Resolution (H) × (V)	640 × 512
Pixel size	15 μm × 15 μm
Effective chip size	9.6 mm × 7.68 mm
Dark current	110 ke ⁻ /s ¹
Temporal dark noise (Gain0)	390 e ⁻ ^{1,2}
Temporal dark noise (Gain1)	53 e ⁻ ^{1,2}
Temporal dark noise (Gain2)	32 e ⁻ ^{1,2}
Saturation capacity (Gain0)	1.2 Me ⁻ ^{1,2}
Saturation capacity (Gain1)	84.8 ke ⁻ ^{1,2}
Saturation capacity (Gain2)	25 ke ⁻ ^{1,2}
Dynamic range (Gain0)	69 dB ^{1,2}
Dynamic range (Gain1)	64 dB ^{1,2}
Dynamic range (Gain2)	59 dB ^{1,2}
Pixel operability	>99.5% ^{1,2}
Max. frame rate at full resolution	301 fps (8-bit pixel format)
Exposure time	1 μs to 200 ms ³
Temperature control	Single-stage thermo-electric cooling (TEC1)
Analog gain factor	1 (Gain0), 14 (Gain1), 45 (Gain2)
A/D converter	14-bit
Image buffer size	256 MB
Stream hold capacity	392 frames at full resolution

¹ Typical values that are determined similar to EMVA 1288 under 1200 nm LED illumination. Given values are mean values of multiple different measurements at 20 °C FPA temperature, if not stated otherwise.

² Measured with CDS delay of 12 μs.

³ Maximum exposure value given is valid for Gain0 and sensor temperature of +25 °C. Even longer exposures can be set, but the image quality may deteriorate.

Table 51: Goldeye G-033 TEC1 imaging and performance

Output

Parameter	Values
Digital interface	GigE Vision (based on IEEE 802.3 1000BASE-T)
Bit depth	8-bit, 12-bit, 14-bit
Pixel formats	Mono8, Mono12, Mono12Packed, Mono14

Table 52: Goldeye G-033 TEC1 output

GPIOs

Parameter	Values
Opto-isolated I/Os	1 input, 2 outputs
RS232	up to 115,200 bits per second, 8N1 (adjustable)
LVTTL I/Os	1 input, 1 output

Table 53: Goldeye G-033 TEC1 GPIOs

Mechanics

Parameter	Values
Body dimensions (L × W × H) without lens adapter	78 mm × 55 mm × 55 mm
Lens mounts	C-Mount, F-Mount, M42-Mount
Mass, body only, without adapter	350 g
Mass, with C-Mount adapter	370 g
Mass, with F-Mount adapter	430 g
Mass, with M42-Mount adapter	390 g

Table 54: Goldeye G-033 TEC1 mechanics

Operating conditions

Parameter	Values
Operating temperature	-20 °C to +55 °C (housing)
Storage temperature	-30 °C to +70 °C (ambient)
Sensor cooling temperature, setpoints	<ul style="list-style-type: none"> • +20 °C (default and calibrated) • +5 °C, +35 °C, +50 °C (uncalibrated) • User-configurable
Relative humidity	10% to 95%, non-condensing
Power requirements (DC)	<ul style="list-style-type: none"> • 10.8 V to 30.0 V • PoE (IEEE 802.3at Type 1 Class 0)
Max. power consumption	<ul style="list-style-type: none"> • 10.8 W (12 VDC) • <12.95 W (PoE)
Typical power consumption without cooling	<ul style="list-style-type: none"> • 6.3W (12 VDC) • 8 W (PoE)

Table 55: Goldeye G-033 TEC1 operating conditions

Absolute QE



Figure 22: Goldeye G-033 TEC1 absolute QE

Resolution and ROI frame rate

The maximum frame rate achievable with Goldeye G-033 TEC1 (in frames per second) is determined by the ROI size. Calculate the maximum frame rate using the following formula.

$$\text{FrameRate} = \frac{18,000,000}{\left[(V + 1) \times \left(\frac{H}{8} + 36 \right) \right] + 254}$$

H	ROI: horizontal resolution (width). The formula is valid if $H \geq 32$. For H always use the value rounded up to the next multiple of multiple of 32.
V	ROI: vertical resolution (height). The formula is valid if $V \geq 4$. For V always use the value rounded up to the next multiple of 4.

When using the formula, please consider the following:

- Round the denominator up or down to the next full μs .
- Minimum ROI width is 8 pixels, minimum ROI height is 4 pixels.
- The formula generally outputs very exact values, however when the ROI approaches its minimum size, the accuracy decreases by some degree.
- Computational limitations of the host and image capture software may prevent the camera from achieving maximum frame rates.

Formula 6: Maximum frame rate possible with Goldeye G-033 TEC1

Examples for maximum frame rates possible with Goldeye G-033 TEC1, using a number of common resolutions, are listed in the following table.

Resolution		Format name	Max. frame rate [fps] (Pixel format)	
Width	Height			
640	512	Sensor full resolution	301	(8-bit)
640	480	VGA	321	(8-bit)
320	240	QVGA	968	(8-bit)
160	120	QQVGA	2557	(8-bit or 12-bit)
≤ 128	≤ 24	For all resolutions smaller than this, the frame rate remains the same.	>11627	(8-bit)

Table 56: Goldeye G-033 TEC1 image resolutions and resulting maximum achievable frame rates in frames per second

Goldeye G-033 TECless

Imaging and performance

Parameter	Values
Sensor	InGaAs, progressive scan, electronic full frame shutter
Sensor type	FPA
Spectral range	900 nm to 1700 nm
Resolution (H) × (V)	640 × 512
Pixel size	15 μm × 15 μm
Effective chip size	9.6 mm × 7.68 mm
Dark current (at +45 °C FPA temperature)	430 ke ⁻ /s ¹
Temporal dark noise (Gain0)	390 e ⁻ ^{1,2}
Temporal dark noise (Gain1)	53 e ⁻ ^{1,2}
Temporal dark noise (Gain2)	32 e ⁻ ^{1,2}
Saturation capacity (Gain0)	1.2 Me ⁻ ^{1,2}
Saturation capacity (Gain1)	84.8 ke ⁻ ^{1,2}
Saturation capacity (Gain2)	25 ke ⁻ ^{1,2}
Dynamic range (Gain0)	69 dB ^{1,2}
Dynamic range (Gain1)	64 dB ^{1,2}
Dynamic range (Gain2)	59 dB ^{1,2}
Pixel operability	>99.5%
Max. frame rate at full resolution	301 fps (in 8-bit pixel format)
Exposure time	1 μs to 200 ms ³
Temperature control	Without thermo-electric cooling (TECless)
Analog gain factor	1 (Gain0), 14 (Gain1), 45 (Gain2)
A/D converter	14-bit
Image buffer size	256 MB
Stream hold capacity	392 frames at full resolution

¹ Typical values that are determined similar to EMVA 1288 under 1200 nm LED illumination. Given values are mean values of multiple different measurements at +45 °C FPA temperature, if not stated otherwise.

² Measured with CDS delay of 12 μs.

³ Maximum exposure value given is valid for Gain0 and sensor temperature of +45 °C. Even longer exposures can be set, but the image quality may deteriorate.

Table 57: Goldeye G-033 TECless imaging and performance

Output

Parameter	Values
Digital interface	GigE Vision (based on IEEE 802.3 1000BASE-T)
Bit depth	8-bit, 12-bit, 14-bit
Pixel formats	Mono8, Mono12, Mono12Packed, Mono14

Table 58: Goldeye G-033 TECless output

GPIOs

Parameter	Values
Opto-isolated I/Os	1 input, 2 outputs
RS232	up to 115,200 bits per second, 8N1 (adjustable)
LVTTL I/Os	1 input, 1 output

Table 59: Goldeye G-033 TECless GPIOs

Mechanics

Parameter	Values
Body dimensions (L × W × H) without lens adapter	78 mm × 55 mm × 55 mm
Lens mounts	<ul style="list-style-type: none"> • C-Mount • F-Mount and M42-Mount available on request
Mass, body only, without adapter	330 g
Mass, with C-Mount adapter	350 g
Mass, with F-Mount adapter	400 g
Mass, with M42-Mount adapter	370 g

Table 60: Goldeye G-033 TECless mechanics

Operating conditions

Parameter	Values
Operating temperature	-20 °C to +55 °C (housing)
Storage temperature	-30 °C to +70 °C (ambient)
Sensor cooling temperature, setpoints	(Not applicable to TECless models.)
Relative humidity	10% to 95%, non-condensing
Power requirements (DC)	<ul style="list-style-type: none"> • 10.8 V to 30.0 V • PoE (IEEE 802.3at Type 1 Class 0)
Max. power consumption	<ul style="list-style-type: none"> • 6.0 W (12 VDC) • <7.5 W (PoE)
Typical power consumption without cooling	<ul style="list-style-type: none"> • 6.0 W (12 VDC) • 6.0 W (PoE)

Table 61: Goldeye G-033 TECless operating conditions

Absolute QE

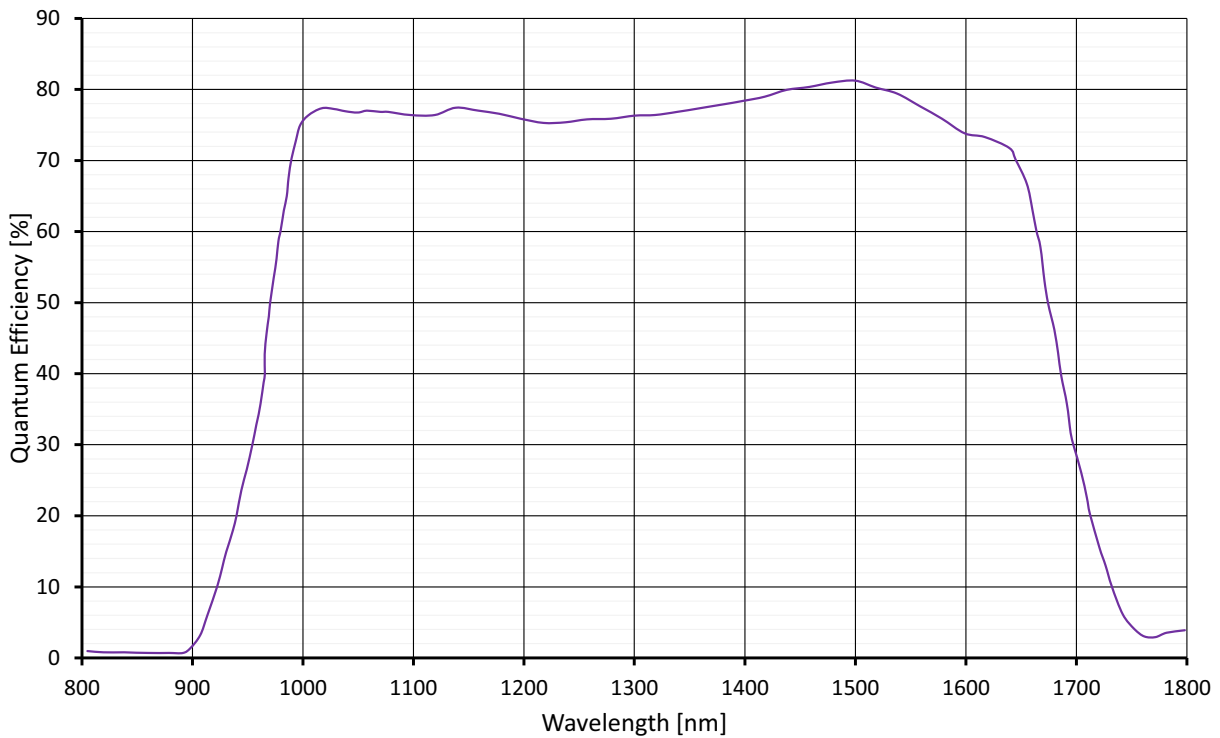


Figure 23: Goldeye G-033 TECless absolute QE

Resolution and ROI frame rate

The maximum frame rate achievable with Goldeye G-033 TECless (in frames per second) is determined by the ROI size. Calculate the maximum frame rate using the following formula.

$$\text{FrameRate} = \frac{18,000,000}{\left[(V + 1) \times \left(\frac{H}{8} + 36 \right) \right] + 254}$$

H	ROI: horizontal resolution (width). The formula is valid if $H \geq 32$. For H always use the value rounded up to the next multiple of multiple of 32.
V	ROI: vertical resolution (height). The formula is valid if $V \geq 4$. For V always use the value rounded up to the next multiple of 4.

When using the formula, please consider the following:

- Round the denominator up or down to the next full μ s.
- Minimum ROI width is 8 pixels, minimum ROI height is 4 pixels.
- The formula generally outputs very exact values, however when the ROI approaches its minimum size, the accuracy decreases by some degree.
- Computational limitations of the host and image capture software may prevent the camera from achieving maximum frame rates.

Formula 7: Maximum frame rate possible with Goldeye G-033 TECless

Examples for maximum frame rates possible with Goldeye G-033 TECless, using a number of common resolutions, are listed in the following table.

Resolution		Format name	Max. frame rate [fps] (Pixel format)	
Width	Height			
640	512	Sensor full resolution	301	(8-bit)
640	480	VGA	321	(8-bit)
320	240	QVGA	968	(8-bit)
160	120	QQVGA	2557	(8-bit or 12-bit)
≤ 128	≤ 24	For all resolutions smaller than this, the frame rate remains the same.	>11627	(8-bit)

Table 62: Goldeye G-033 TECless image resolutions and resulting maximum achievable frame rates in frames per second

Goldeye G-034 TEC1

Imaging and performance

Parameter	Values
Sensor	InGaAs, progressive scan, electronic full frame shutter
Sensor type	FPA
Spectral range	900 nm to 1700 nm
Resolution (H) × (V)	636 × 508
Pixel size	15 μm × 15 μm
Effective chip size	9.6 mm × 7.68 mm
Dark current	49 ke ⁻ /s ¹
Temporal dark noise (Gain0)	390 e ⁻ ^{1,2}
Temporal dark noise (Gain1)	53 e ⁻ ^{1,2}
Temporal dark noise (Gain2)	32 e ⁻ ^{1,2}
Saturation capacity (Gain0)	1.2 Me ⁻ ^{1,2}
Saturation capacity (Gain1)	84.8 ke ⁻ ^{1,2}
Saturation capacity (Gain2)	25 ke ⁻ ^{1,2}
Dynamic range (Gain0)	69 dB ^{1,2}
Dynamic range (Gain1)	64 dB ^{1,2}
Dynamic range (Gain2)	59 dB ^{1,2}
Pixel operability	>99.5% ^{1,2}
Max. frame rate at full resolution	303 fps (8-bit pixel format)
Exposure time	1 μs to 200 ms ³
Temperature control	Single-stage thermo-electric cooling (TEC1)
Analog gain factor	1 (Gain0), 14 (Gain1), 45 (Gain2)
A/D converter	14-bit
Image buffer size	256 MB
Stream hold capacity	392 frames at full resolution
¹ Typical values that are determined similar to EMVA 1288 under 1200 nm LED illumination. Given values are mean values of multiple different measurements at 20 °C FPA temperature, if not stated otherwise.	
² Measured with CDS delay of 12 μs.	
³ Maximum exposure value given is valid for Gain0 and sensor temperature of +25 °C. Even longer exposures can be set, but the image quality may deteriorate.	

Table 63: Goldeye G-034 TEC1 imaging and performance

Output

Parameter	Values
Digital interface	GigE Vision (based on IEEE 802.3 1000BASE-T)
Bit depth	8-bit, 10-bit, 12-bit, 14-bit
Pixel formats	Mono8, Mono10, Mono10p, Mono10Packed, Mono12, Mono12Packed, Mono14

Table 64: Goldeye G-034 TEC1 output

GPIOs

Parameter	Values
Opto-isolated I/Os	1 input, 2 outputs
RS232	up to 115,200 bits per second, 8N1 (adjustable)
LVTTL I/Os	1 input, 1 output

Table 65: Goldeye G-034 TEC1 GPIOs

Mechanics

Parameter	Values
Body dimensions (L × W × H) without lens adapter	78 mm × 55 mm × 55 mm
Lens mounts	C-Mount, F-Mount, M42-Mount
Mass, body only, without adapter	350 g
Mass, with C-Mount adapter	370 g
Mass, with F-Mount adapter	430 g
Mass, with M42-Mount adapter	390 g

Table 66: Goldeye G-034 TEC1 mechanics

Operating conditions

Parameter	Values
Operating temperature	-20 °C to +55 °C (housing)
Storage temperature	-30 °C to +70 °C (ambient)
Sensor cooling temperature, setpoints	<ul style="list-style-type: none"> • +20 °C (default and calibrated) • +5 °C, +35 °C, +50 °C (uncalibrated) • User-configurable
Relative humidity	10% to 95%, non-condensing
Power requirements (DC)	<ul style="list-style-type: none"> • 10.8 V to 30.0 V • PoE (IEEE 802.3at Type 1 Class 0)
Max. power consumption	<ul style="list-style-type: none"> • 10.8 W (12 VDC) • <12.95 W (PoE)
Typical power consumption without cooling	<ul style="list-style-type: none"> • 6.3 W (12 VDC) • 8 W (PoE)

Table 67: Goldeye G-034 TEC1 operating conditions

Absolute QE



Figure 24: Goldeye G-034 TEC1 absolute QE

Resolution and ROI frame rate

The maximum frame rate achievable with Goldeye G-034 TEC1 (in frames per second) is determined by the ROI size. Calculate the maximum frame rate using the following formula.

$$\text{FrameRate} = \frac{18,000,000}{\left[(V + 1) \times \left(\frac{H}{8} + 36 \right) \right] + 254}$$

H	ROI: horizontal resolution (width). The formula is valid if $H \geq 32$. For H always use the value rounded up to the next multiple of multiple of 32.
V	ROI: vertical resolution (height). The formula is valid if $V \geq 4$. For V always use the value rounded up to the next multiple of 4.

When using the formula, please consider the following:

- Round the denominator up or down to the next full μs .
- Minimum ROI width is 8 pixels, minimum ROI height is 4 pixels.
- The formula generally outputs very exact values, however when the ROI approaches its minimum size, the accuracy decreases by some degree.
- Computational limitations of the host and image capture software may prevent the camera from achieving maximum frame rates.

Formula 8: Maximum frame rate possible with Goldeye G-034 TEC1

Examples for maximum frame rates possible with Goldeye G-034 TEC1, using a number of common resolutions, are listed in the following table.

Resolution		Format name	Max. frame rate [fps] (Pixel format)	
Width	Height			
636	508	Sensor full resolution	303	(8-bit)
636	480	Approx. matches VGA format	321	(8-bit)
320	240	QVGA	968	(8-bit)
160	120	QQVGA	2557	(8-bit or 12-bit)
≤ 128	≤ 24	For all resolutions smaller than this, the frame rate remains the same.	>11627	(8-bit)

Table 68: Goldeye G-034 TEC1 image resolutions and resulting maximum achievable frame rates in frames per second

Goldeye G-034 XSWIR 1.9 TEC2

Imaging and performance

Parameter	Values
Sensor	InGaAs, progressive scan, electronic full frame shutter
Sensor type	FPA
Spectral range	1100 nm to 1900 nm
Resolution (H) × (V)	636 × 508
Pixel size	15 μm × 15 μm
Effective chip size	9.6 mm × 7.68 mm
Dark current	140 ke ⁻ /s ¹
Temporal dark noise (Gain0)	434 e ⁻ ^{1,2}
Temporal dark noise (Gain1)	40 e ⁻ ^{1,2}
Temporal dark noise (Gain2)	15 e ⁻ ^{1,2}
Saturation capacity (Gain0)	1.3 Me ⁻ ^{1,2}
Saturation capacity (Gain1)	66 ke ⁻ ^{1,2}
Saturation capacity (Gain2)	18 ke ⁻ ^{1,2}
Dynamic range (Gain0)	69 dB ^{1,2}
Dynamic range (Gain1)	64 dB ^{1,2}
Dynamic range (Gain2)	61 dB ^{1,2}
Pixel operability	>98.5% ^{1,2}
Max. frame rate at full resolution	303 fps (8-bit pixel format)
Exposure time	1 μs to 20 ms ³
Temperature control	Dual-stage thermo-electric cooling (TEC2)
Analog gain factor	1 (Gain0), 14 (Gain1), 45 (Gain2)
A/D converter	14-bit
Image buffer size	256 MB
Stream hold capacity	392 frames at full resolution
¹ Typical values that are determined similar to EMVA 1288 under 1200 nm LED illumination. Given values are mean values of multiple different measurements at -30 °C FPA temperature, if not stated otherwise.	
² Measured with CDS delay of 12 μs.	
³ Maximum exposure value given is valid for Gain0 and sensor temperature of -30 °C. Even longer exposures can be set, but the image quality may deteriorate.	

Table 69: Goldeye G-034 XSWIR 1.9 TEC2 imaging and performance

Output

Parameter	Values
Digital interface	GigE Vision (based on IEEE 802.3 1000BASE-T)
Bit depth	8-bit, 10-bit, 12-bit, 14-bit
Pixel formats	Mono8, Mono10, Mono10p, Mono10Packed, Mono12, Mono12Packed, Mono14

Table 70: Goldeye G-034 XSWIR 1.9 TEC2 output

GPIOs

Parameter	Values
Opto-isolated I/Os	1 input, 2 outputs
RS232	up to 115,200 bits per second, 8N1 (adjustable)
LVTTL I/Os	1 input, 1 output

Table 71: Goldeye G-034 XSWIR 1.9 TEC2 GPIOs

Mechanics

Parameter	Values
Body dimensions (L × W × H) without lens mount adapter	90 mm × 80 mm × 80 mm
Lens mount	C-Mount
Mass, including lens mount	740 g

Table 72: Goldeye G-034 XSWIR 1.9 TEC2 mechanics

Operating conditions

Parameter	Values
Operating temperature	-20 °C to +55 °C (housing)
Storage temperature	-30 °C to +70 °C (ambient)
Sensor cooling temperature, setpoints	<ul style="list-style-type: none"> • -30 °C (default and calibrated) • -20 °C, -10 °C (calibrated) • 0 °C (uncalibrated) • User-configurable
Relative humidity	10% to 95%, non-condensing
Power requirements (DC)	<ul style="list-style-type: none"> • 10.8 V to 30.0 V • PoE (IEEE 802.3at Type 1 Class 0)
Max. power consumption	<ul style="list-style-type: none"> • 21 W (12 VDC) • <23 W (PoE)
Typical power consumption without cooling	<ul style="list-style-type: none"> • 7 W (12 VDC) • 9 W (PoE)

Table 73: Goldeye G-034 XSWIR 1.9 TEC2 operating conditions

Absolute QE



Quantum efficiency for various sensor temperature values

The following curves relate to a sensor temperatures of -20 °C and -30 °C default, the sensitivity is slightly shifted to lower wave lengths, but the range is maintained. With increased sensor temperatures, the QE curve is slightly shifted to longer wavelengths, and for lower temperatures it is shifted to shorter wavelengths.

See the corresponding application note at www.alliedvision.com/fileadmin/content/documents/products/cameras/Goldeye_2/appnote/Goldeye-G-CL_AppNote_Temperature-Influence-on-Image-Quality_en.pdf.

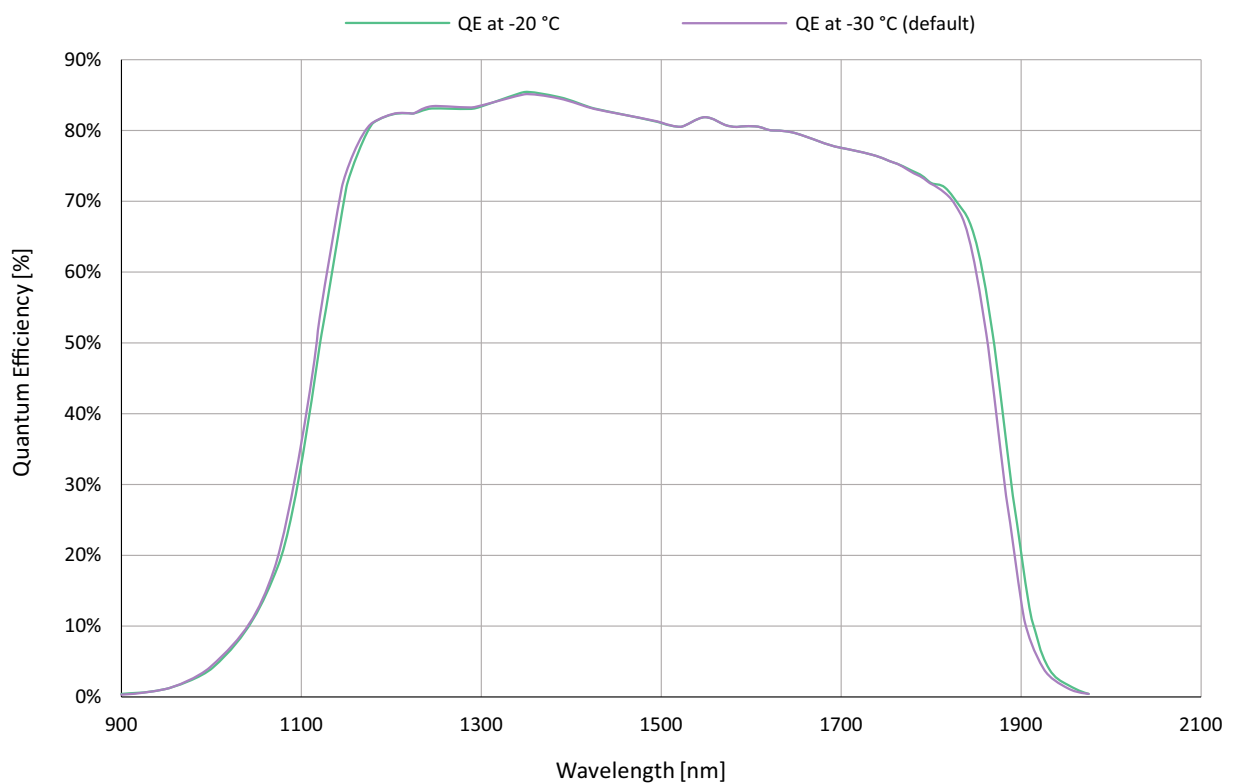


Figure 25: Goldeye G-034 XSWIR 1.9 TEC2 absolute QE

Resolution and ROI frame rate



Values when using MultiRegions features

When the camera is operated using more than a single ROI, values in this section may not be reached.

The maximum frame rate achievable with Goldeye G-034 XSWIR 1.9 TEC2 (in frames per second) is determined by the ROI size. Calculate the maximum frame rate using the following formula.

$$\text{FrameRate} = \frac{18,000,000}{\left[(V + 1) \times \left(\frac{H}{8} + 36 \right) \right] + 254}$$

H	ROI: horizontal resolution (width). The formula is valid if $H \geq 32$. For H always use the value rounded up to the next multiple of multiple of 32.
V	ROI: vertical resolution (height). The formula is valid if $V \geq 4$. For V always use the value rounded up to the next multiple of 4.

When using the formula, please consider the following:

- Round the denominator up or down to the next full μs .
- Minimum ROI width is 8 pixels, minimum ROI height is 4 pixels.
- The formula generally outputs very exact values, however when the ROI approaches its minimum size, the accuracy decreases by some degree.
- Computational limitations of the host and image capture software may prevent the camera from achieving maximum frame rates.

Formula 9: Maximum frame rate possible with Goldeye G-034 XSWIR 1.9 TEC2

Examples for maximum frame rates possible with Goldeye G-034 XSWIR 1.9 TEC2, using a number of common resolutions, are listed in the following table.

Resolution		Format name	Max. frame rate [fps] (Pixel format)	
Width	Height			
636	508	Sensor full resolution	303	(8-bit)
636	480	Approx. matches VGA format	321	(8-bit)
320	240	QVGA	968	(8-bit)
160	120	QQVGA	2557	(8-bit or 12-bit)
≤ 128	≤ 24	For all resolutions smaller than this, the frame rate remains the same.	>11627	(8-bit)

Table 74: Goldeye G-034 XSWIR 1.9 TEC2 image resolutions and resulting maximum achievable frame rates in frames per second

Goldeye G-034 XSWIR 2.2 TEC2

Imaging and performance

Parameter	Values
Sensor	InGaAs, progressive scan, electronic full frame shutter
Sensor type	FPA
Spectral range	1200 nm to 2200 nm
Resolution (H) × (V)	636 × 508
Pixel size	15 μm × 15 μm
Effective chip size	9.6 mm × 7.68 mm
Dark current	820 ke ⁻ /s ¹
Temporal dark noise (Gain0)	452 e ⁻ ^{1,2}
Temporal dark noise (Gain1)	134 e ⁻ ^{1,2}
Temporal dark noise (Gain2)	58 e ⁻ ^{1,2}
Saturation capacity (Gain0)	1.16 Me ⁻ ^{1,2}
Saturation capacity (Gain1)	73 ke ⁻ ^{1,2}
Saturation capacity (Gain2)	25 ke ⁻ ^{1,2}
Dynamic range (Gain0)	68 dB ^{1,2}
Dynamic range (Gain1)	54 dB ^{1,2}
Dynamic range (Gain2)	52 dB ^{1,2}
Pixel operability	>98.5% ^{1,2}
Max. frame rate at full resolution	303 fps (8-bit pixel format)
Exposure time	1 μs to 10 ms ³
Temperature control	Dual-stage thermo-electric cooling (TEC2)
Analog gain factor	1 (Gain0), 14 (Gain1), 45 (Gain2)
A/D converter	14-bit
Image buffer size	256 MB
Stream hold capacity	392 frames at full resolution
¹ Typical values that are determined similar to EMVA 1288 under 1485 nm LED illumination. Given values are mean values of multiple different measurements at -30 °C FPA temperature, if not stated otherwise.	
² Measured with CDS delay of 12 μs.	
³ Maximum exposure value given is valid for Gain0 and sensor temperature of -30 °C. Even longer exposures can be set, but the image quality may deteriorate.	

Table 75: Goldeye G-034 XSWIR 2.2 TEC2 imaging and performance

Output

Parameter	Values
Digital interface	GigE Vision (based on IEEE 802.3 1000BASE-T)
Bit depth	8-bit, 10-bit, 12-bit, 14-bit
Pixel formats	Mono8, Mono10, Mono10p, Mono10Packed, Mono12, Mono12Packed, Mono14

Table 76: Goldeye G-034 XSWIR 2.2 TEC2 output

GPIOs

Parameter	Values
Opto-isolated I/Os	1 input, 2 outputs
RS232	up to 115,200 bits per second, 8N1 (adjustable)
LVTTL I/Os	1 input, 1 output

Table 77: Goldeye G-034 XSWIR 2.2 TEC2 GPIOs

Mechanics

Parameter	Values
Body dimensions (L × W × H) without lens mount adapter	90 mm × 80 mm × 80 mm
Lens mount	C-Mount
Mass, including lens mount	740 g

Table 78: Goldeye G-034 XSWIR 2.2 TEC2 mechanics

Operating conditions

Parameter	Values
Operating temperature	-20 °C to +55 °C (housing)
Storage temperature	-30 °C to +70 °C (ambient)
Sensor cooling temperature, setpoints	<ul style="list-style-type: none"> • -30 °C (default and calibrated) • -20 °C, -10 °C (calibrated) • 0 °C (uncalibrated) • User-configurable
Relative humidity	10% to 95%, non-condensing
Power requirements (DC)	<ul style="list-style-type: none"> • 10.8 V to 30.0 V • PoE (IEEE 802.3at Type 1 Class 0)
Max. power consumption	<ul style="list-style-type: none"> • 21 W (12 VDC) • <23 W (PoE)
Typical power consumption without cooling	<ul style="list-style-type: none"> • 7 W (12 VDC) • 9 W (PoE)

Table 79: Goldeye G-034 XSWIR 2.2 TEC2 operating conditions

Absolute QE



Quantum efficiency for various sensor temperature values

The following curves relate to a sensor temperatures of -20 °C and -30 °C default, the sensitivity is slightly shifted to lower wave lengths, but the range is maintained. With increased sensor temperatures, the QE curve is slightly shifted to longer wavelengths, and for lower temperatures it is shifted to shorter wavelengths.

See the corresponding application note at www.alliedvision.com/fileadmin/content/documents/products/cameras/Goldeye_2/appnote/Goldeye-G-CL_AppNote_Temperature-Influence-on-Image-Quality_en.pdf.

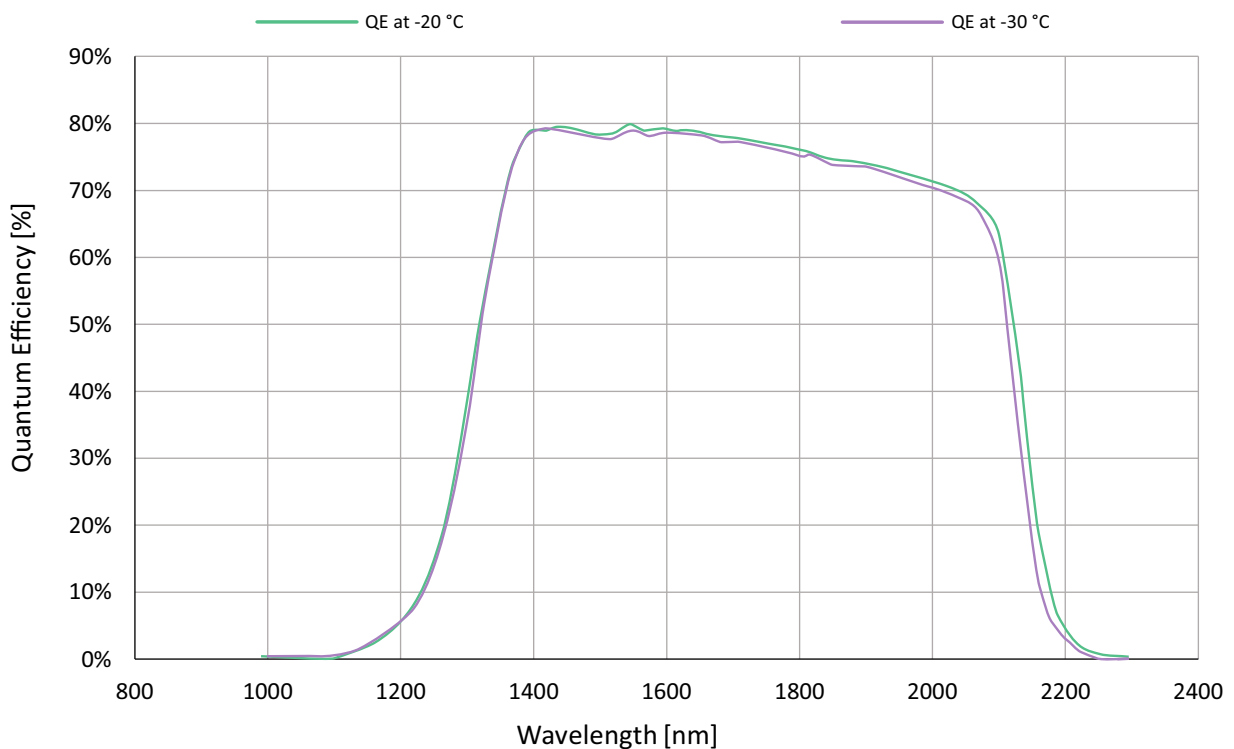


Figure 26: Goldeye G-034 XSWIR 2.2 TEC2 absolute QE

Resolution and ROI frame rate



Values when using MultiRegions features

When the camera is operated using more than a single ROI, values in this section may not be reached.

The maximum frame rate achievable with Goldeye G-034 XSWIR 2.2 TEC2 (in frames per second) is determined by the ROI size. Calculate the maximum frame rate using the following formula.

$$\text{FrameRate} = \frac{18,000,000}{\left[(V + 1) \times \left(\frac{H}{8} + 36 \right) \right] + 254}$$

H	ROI: horizontal resolution (width). The formula is valid if $H \geq 32$. For H always use the value rounded up to the next multiple of multiple of 32.
V	ROI: vertical resolution (height). The formula is valid if $V \geq 4$. For V always use the value rounded up to the next multiple of 4.

When using the formula, please consider the following:

- Round the denominator up or down to the next full μs .
- Minimum ROI width is 8 pixels, minimum ROI height is 4 pixels.
- The formula generally outputs very exact values, however when the ROI approaches its minimum size, the accuracy decreases by some degree.
- Computational limitations of the host and image capture software may prevent the camera from achieving maximum frame rates.

Formula 10: Maximum frame rate possible with Goldeye G-034 XSWIR 2.2 TEC2

Examples for maximum frame rates possible with Goldeye G-034 XSWIR 2.2 TEC2, using a number of common resolutions, are listed in the following table.

Resolution		Format name	Max. frame rate [fps] (Pixel format)	
Width	Height			
636	508	Sensor full resolution	303	(8-bit)
636	480	Approx. matches VGA format	321	(8-bit)
320	240	QVGA	968	(8-bit)
160	120	QQVGA	2557	(8-bit or 12-bit)
≤ 128	≤ 24	For all resolutions smaller than this, the frame rate remains the same.	>11627	(8-bit)

Table 80: Goldeye G-034 XSWIR 2.2 TEC2 image resolutions and resulting maximum achievable frame rates in frames per second

Goldeye G-130 TEC1

Imaging and performance

Parameter	Values
Sensor model	Sony IMX990 SenSWIR
Sensor type	InGaAs
Sensor format	Type 1/2 (8.2 mm diagonal)
Shutter type	Global shutter
Spectral range	400 nm to 1700 nm
Resolution	1280 (H) × 1024 (V)
Pixel size	5 μm × 5 μm
Effective chip size	6.4 mm × 5.12 mm
Dark current (at +20 °C FPA temperature)	4.8 ke ⁻ /s
Temporal dark noise (0 dB)	250 e ⁻
Temporal dark noise (18 dB)	210 e ⁻
Saturation capacity (0 dB)	165 ke ⁻
Saturation capacity (18 dB)	17.2 ke ⁻
Dynamic range (0 dB)	56.4 dB
Dynamic range (18 dB)	38.2 dB
Pixel operability	>99.5%
Exposure time	18 μs to 200 ms ¹ (Normal ²) 3 μs to 7 μs (Ultrashort ²)
Max. frame rate at full resolution	84 fps (Continuous ³) 94 fps (Recorder ³)
Temperature control	Single-stage thermo-electric cooling (TEC1)
Analog gain factor	1 (0 dB), 7.9 (18 dB)
A/D converter	12-bit
Image buffer size	256 MB
Stream hold capacity	95 frames at full resolution
¹ Maximum exposure value given is valid for 0 dB and sensor temperature of +20 °C. Even longer exposures can be set, but the image quality may deteriorate.	
² Values for ExposureRangeMode = <i>Normal</i> or <i>Ultrashort</i>	
³ Values for AcquisitionMode = <i>Continuous</i> or <i>Recorder</i>	

Table 81: Goldeye G-130 TEC1 imaging and performance

Output

Parameter	Values
Digital interface	GigE Vision (based on IEEE 802.3 1000BASE-T)
Bit depth	8-bit, 12-bit
Pixel formats	Mono8, Mono12, Mono12Packed

Table 82: Goldeye G-130 TEC1 output

GPIOs

Parameter	Values
Opto-isolated I/Os	1 input, 2 outputs
RS232	up to 115,200 bits per second, 8N1 (adjustable)
LVTTL I/Os	1 input, 1 output

Table 83: Goldeye G-130 TEC1 GPIOs

Mechanics

Parameter	Values
Body dimensions (L × W × H) without lens mount adapter	78 mm × 55 mm × 55 mm
Lens mount	C-Mount
Mass, including lens mount	340 g

Table 84: Goldeye G-130 TEC1 mechanics

Operating conditions

Parameter	Values
Operating temperature	-20 °C to +55 °C (housing)
Storage temperature	-30 °C to +70 °C (ambient)
Sensor cooling temperature, setpoints	<ul style="list-style-type: none"> +20 °C (default and calibrated) +5 °C, +35 °C, +50 °C (uncalibrated) User-configurable
Relative humidity	10% to 95%, non-condensing
Power requirements (DC)	<ul style="list-style-type: none"> 10.8 V to 30.0 V PoE (IEEE 802.3at Type 1 Class 0)
Max. power consumption	<ul style="list-style-type: none"> 10.8 W (12 VDC) <12.95 W (PoE)
Typical power consumption without cooling	<ul style="list-style-type: none"> 6.1 W (12 VDC) 7.4 W (PoE)

Table 85: Goldeye G-130 TEC1 operating conditions

Relative QE

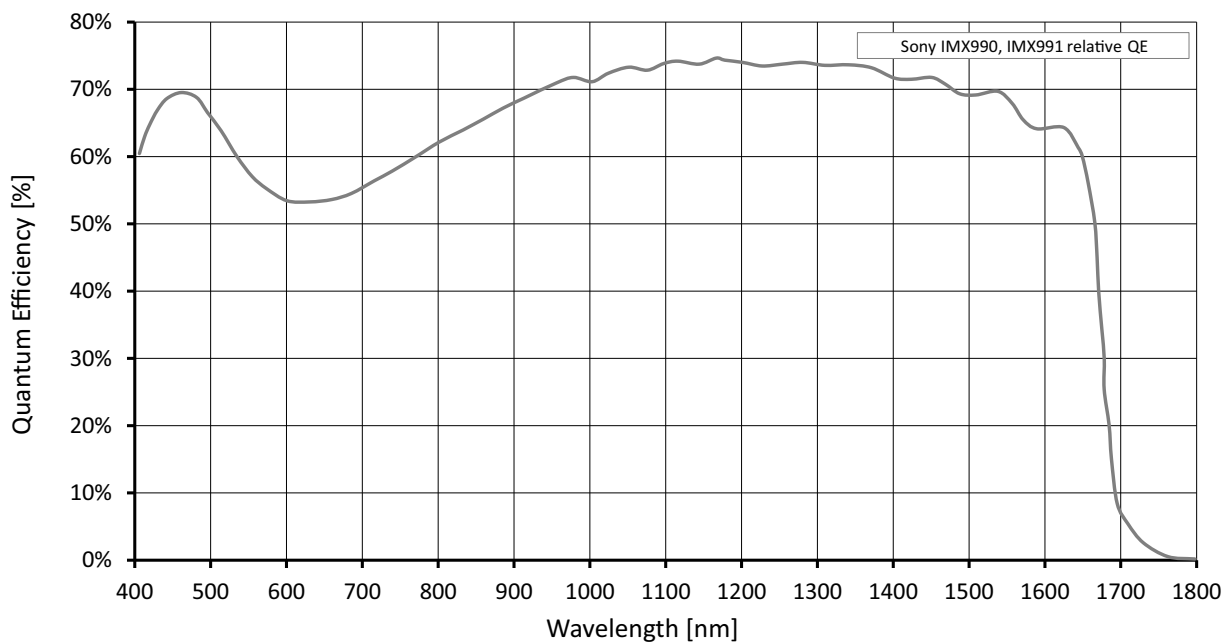


Figure 27: Goldeye G-130 TEC1 relative QE

Resolution and ROI frame rates

The maximum frame rate achievable with Goldeye G-130 models (in frames per second) is determined by the ROI size. Calculate the maximum frame rate using the following formula.

$$\text{SensorFrameRate} = \frac{\text{PF}}{V + 36}$$

$$\text{GigEFrameRate} = \frac{\text{BW} \times 0.96}{V \times H \times \text{BPP}}$$

$$\text{FrameRate} = \text{MIN}(\text{SensorFrameRate}, \text{GigEFrameRate})$$

BPP	Bytes per pixel factor <ul style="list-style-type: none"> • Mono8: 1 • Mono12: 2 • Mono12p: 1.5
BW	Bandwidth, defined by DeviceThrouputLimit, typical: 115,000,000 Bps
H	ROI: vertical resolution (height). The formula is valid if $H \geq 8$. For H always use the value rounded up to the next multiple of 8.
PF	Pixel format factor <ul style="list-style-type: none"> • Mono8: 99734.04 • Mono12: 75604.84 • Mono12p: 75604.84
V	ROI: vertical resolution (height). The formula is valid if $V \geq 8$. For V always use the value rounded up to the next multiple of 8.

When using the formula, please consider the following:

- The formula serves as a rough estimation.
- Valid for IntegrateWhileRead-Mode only.
- ROI minimum width and height are 8 pixels.
- Exposure time may reduce the frame rate.
- Computational limitations of the host and image capture software may prevent the camera from achieving maximum frame rates.

Formula 11: Maximum frame rate possible with Goldeye G-130 TEC1

Examples for maximum frame rates possible with Goldeye G-130 TEC1, using a number of common resolutions, are listed in the following table.

Resolution		Format name	Max. frame rate [fps]	
Width	Height		Sensor ¹	GigE ²
1280	1024	Sensor full resolution, matches SXGA format	94	84
1280	720	HD 720	131	119
1024	768	XGA	124	
800	600	SVGA	156	
640	480	VGA	193	
320	240	QVGA	361	
160	120	QQVGA	639	
1280	512	Maximum × half	181	168
1280	8	Maximum × minimum	2266	
8	512	Minimum × maximum	179	
8	8	Minimum × minimum	2266	

¹For AcquisitionMode = Recorder

²For DeviceThroughputLimit = 115 000 000 Bps (115 MBps)

Table 86: Goldeye G-130 TEC1 image resolutions and resulting maximum achievable frame rates in frames per second

Specifications (CL models)

Goldeye CL-008 TEC1

Imaging and performance

Parameter	Values
Sensor	InGaAs, progressive scan, electronic full frame shutter
Sensor type	FPA
Spectral range	900 nm to 1700 nm
Resolution	320 (H) × 256 (V)
Pixel size	30 μm × 30 μm
Effective chip size	9.6 mm × 7.68 mm
Dark current (at +25 °C FPA temperature)	280 ke ⁻ /s
Temporal dark noise (Gain0)	420 e ⁻
Temporal dark noise (Gain1)	170 e ⁻
Saturation capacity (Gain0)	2.5 Me ⁻
Saturation capacity (Gain1)	170 ke ⁻
Dynamic range (Gain0)	75 dB
Dynamic range (Gain1)	60 dB
Pixel operability	>99.5%
Max. frame rate at full resolution	344 fps
Exposure time	6 μs to 200 ms ¹
Temperature control	Single-stage thermo-electric cooling and heating (TEC1)
Analog gain factor	1 (Gain0), 15 (Gain1)
A/D converter	14-bit
Image buffer size	256 MB
Stream hold capacity	1524 frames at full resolution

¹ Maximum exposure value given is valid for Gain0 and sensor temperature of +25 °C. Even longer exposures can be set, but the image quality may deteriorate.

Table 87: Goldeye CL-008 TEC1 imaging and performance

Output

Parameter	Values
Digital interface	Camera Link Base, up to 2 taps, 40 MHz, SDR-26 connector, Serial Control Channel
Bit depth	8-bit, 12-bit, 14-bit
Pixel formats	<ul style="list-style-type: none"> Tap geometry 1X 1Y: Mono8, Mono12, Mono14 Tap geometry 1X2 1Y: Mono8, Mono12

Table 88: Goldeye CL-008 TEC1 output

GPIOs

Parameter	Values
Opto-isolated I/Os	1 input, 2 outputs
RS232	up to 115,200 bits per second, 8N1 (adjustable)
LVTTL I/Os	1 input, 1 output
LVDS inputs	CC1- CC4

Table 89: Goldeye CL-008 TEC1 GPIOs

Mechanics

Parameter	Values
Body dimensions (L × W × H) without lens adapter	78 mm × 55 mm × 55 mm
Lens mounts	C-Mount, F-Mount, M42-Mount
Mass, without adapter	300 g
Mass, with C-Mount adapter	320 g
Mass, with F-Mount adapter	370 g
Mass, with M42-Mount adapter	340 g

Table 90: Goldeye CL-008 TEC1 mechanics

Operating conditions

Parameter	Values
Operating temperature	-20 °C to +55 °C (housing)
Storage temperature	-30 °C to +70 °C (ambient)
Temperature setpoints ¹	<ul style="list-style-type: none"> +25 °C (default and calibrated) +20 °C, +35 °C, +50 °C (uncalibrated) User-configurable
Relative humidity	10% to 95%, non-condensing
Power requirements (DC)	10.8 V to 30.0 V
Max. power consumption	10 W (12 VDC)
Typical power consumption without cooling	4.5 W (12 VDC)

¹ Even though the first temperature setpoint is pre-configured to +20 °C, it is possible to set it to a lower temperature. However, if the sensor temperature is lower than the ambient temperature, especially in humid environments, condensation may occur.

Table 91: Goldeye CL-008 TEC1 operating conditions

Absolute QE

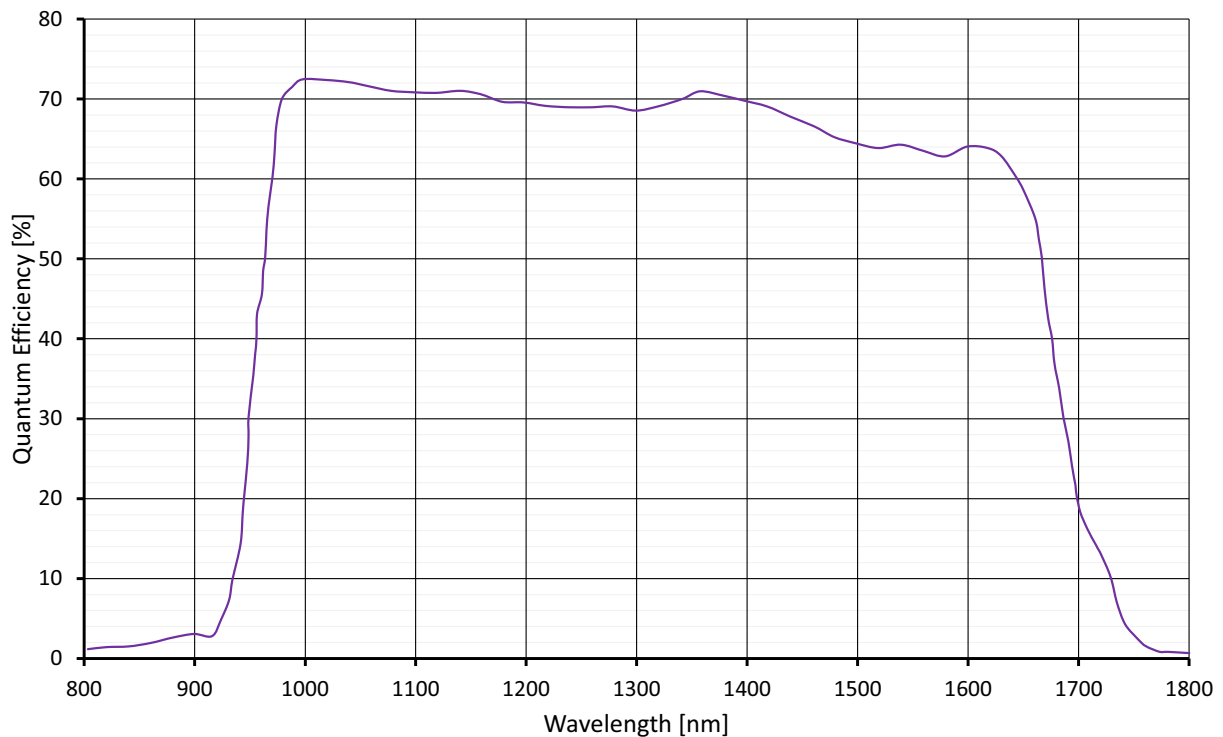


Figure 28: Goldeye CL-008 TEC1 absolute QE

Resolution and ROI frame rates

The maximum frame rate achievable with Goldeye CL-008 TEC1 models (in frames per second) is determined by the ROI size. It can be calculated using the following formulas.

$$\text{SensorFrameRate} = \frac{10,000,000}{\left[(V + 2) \times \left(\frac{H}{4} + 32 \right) \right] + 171}$$

H	ROI: horizontal resolution (width). The formula is valid if $H \geq 128$. For H always use the value rounded up to the next multiple of 8.
V	ROI: vertical resolution (height). The formula is valid if $V \geq 8$. For V always use the value rounded up to the next multiple of 2.

When using the formula, please consider the following:

- Round the denominator down to the next full μs .
- Minimum ROI width is 8 pixels, minimum ROI height is 4 pixels.
- The formula generally outputs very exact values, however when the ROI approaches its minimum size, the accuracy decreases by some degree.
- Computational limitations of the host and image capture software may prevent the camera from achieving maximum frame rates.

$$\text{CameraLinkFrameRate} = \frac{\text{ClFrequency}}{\left[\max((3 \times H + 32), A) + \left(\frac{H}{\text{Taps}} + B \right) (V - 1) + \left(\frac{H}{\text{Taps}} \right) + C + D \right]}$$

A	ClMinFValToLValDelay)
B	ClLValToLValDelay
C	ClLValToFValDelay
D	ClMinFValToFValDelay

$$\text{FrameRate} = \min(\text{SensorFrameRate}, \text{CameraLinkFrameRate})$$

Formula 12: Maximum frame rate possible with Goldeye CL-008 TEC1

Frame rates by pixel format, clock frequency, and number of taps

Examples for maximum frame rates possible with Goldeye CL-008 TEC1, using a number of common resolutions, are listed in the following table.

Resolution		25 MHz		40 MHz	
Width	Height	Mono8/12, 2 Taps	Mono14, 1 Tap	Mono8/12, 2 Taps	Mono14, 1 Tap
320	256	344	274	344	344
320	240	366	292	366	366
160	120	1117	1059	1117	1117
128	32	4273	4273	4273	4273
128	8	12345	12345	12345	12345

Table 92: Goldeye CL-008 TEC1 frame rates by pixel format, clock frequency, and number of taps

Goldeye CL-008 Cool TEC1

Imaging and performance

Parameter	Values
Sensor	InGaAs, progressive scan, electronic full frame shutter
Sensor type	FPA
Spectral range	900 nm to 1700 nm
Resolution	320 (H) × 256 (V)
Pixel size	30 μm × 30 μm
Effective chip size	9.6 mm × 7.68 mm
Dark current (at +5 °C FPA temperature)	160 ke ⁻ /s
Temporal dark noise (Gain0)	420 e ⁻
Temporal dark noise (Gain1)	170 e ⁻
Saturation capacity (Gain0)	2.5 Me ⁻
Saturation capacity (Gain1)	170 ke ⁻
Dynamic range (Gain0)	75 dB
Dynamic range (Gain1)	60 dB
Pixel operability	>99.5%
Max. frame rate at full resolution	344 fps
Exposure time	6 μs to 1250 ms ¹
Temperature control	Single-stage thermo-electric cooling and heating (TEC1)
Analog gain factor	1 (Gain0), 15 (Gain1)
A/D converter	14-bit
Image buffer size	256 MB
Stream hold capacity	1524 frames at full resolution

¹ Maximum exposure value given is valid for Gain0 and sensor temperature of +5 °C. Even longer exposures can be set, but the image quality may deteriorate.

Table 93: Goldeye CL-008 Cool TEC1 imaging and performance

Output

Parameter	Values
Digital interface	Camera Link Base, up to 2 taps, 40 MHz, SDR-26 connector, Serial Control Channel
Bit depth	8-bit, 12-bit, 14-bit
Pixel formats	<ul style="list-style-type: none"> Tap geometry 1X 1Y: Mono 8, Mono12, Mono14 Tap geometry 1X2 1Y: Mono8, Mono12

Table 94: Goldeye CL-008 Cool TEC1 output

GPIOs

Parameter	Values
Opto-isolated I/Os	1 input, 2 outputs
RS232	up to 115,200 bits per second, 8N1 (adjustable)
LVTTL I/Os	1 input, 1 output
LVDS inputs	CC1- CC4

Table 95: Goldeye CL-008 Cool TEC1 GPIOs

Mechanics

Parameter	Values
Body dimensions (L × W × H) without lens adapter	90 mm × 80 mm × 80 mm
Lens mounts	<ul style="list-style-type: none"> C-Mount F-Mount and M42-Mount available on request
Mass, without adapter	740 g
Mass, with C-Mount adapter	760 g
Mass, with F-Mount adapter	820 g
Mass, with M42-Mount adapter	780 g

Table 96: Goldeye CL-008 Cool TEC1 mechanics

Operating conditions

Parameter	Values
Operating temperature	-20 °C to +55 °C (housing)
Storage temperature	-30 °C to +70 °C (ambient)
Sensor cooling temperature, setpoints	<ul style="list-style-type: none"> +5 °C (default and calibrated) -5 °C, +10 °C, +20 °C (uncalibrated) User-configurable
Relative humidity	10% to 95%, non-condensing
Power requirements (DC)	10.8 V to 30.0 V
Max. power consumption	10.5 W (12 VDC)
Typical power consumption without cooling	5.0 W (12 VDC)

Table 97: Goldeye CL-008 Cool TEC1 operating conditions

Absolute QE



Figure 29: Goldeye CL-008 Cool TEC1 absolute QE

Resolution and ROI frame rates

The maximum frame rate achievable with Goldeye CL-008 Cool TEC1 (in frames per second) is determined by the ROI size. It can be calculated using the following formulas.

$$\text{SensorFrameRate} = \frac{10,000,000}{\left[(V + 2) \times \left(\frac{H}{4} + 32 \right) \right] + 171}$$

H	ROI: horizontal resolution (width). The formula is valid if $H \geq 128$. For H always use the value rounded up to the next multiple of 8.
V	ROI: vertical resolution (height). The formula is valid if $V \geq 8$. For V always use the value rounded up to the next multiple of 2.

When using the formula, please consider the following:

- Round the denominator down to the next full μs .
- Minimum ROI width is 8 pixels, minimum ROI height is 4 pixels.
- The formula generally outputs very exact values, however when the ROI approaches its minimum size, the accuracy decreases by some degree.
- Computational limitations of the host and image capture software may prevent the camera from achieving maximum frame rates.

$$\text{CameraLinkFrameRate} = \frac{\text{ClFrequency}}{\left[\max((3 \times H + 32), A) + \left(\frac{H}{\text{Taps}} + B \right) (V - 1) + \left(\frac{H}{\text{Taps}} \right) + C + D \right]}$$

A	ClMinFValToLValDelay
B	ClLValToLValDelay
C	ClLValToFValDelay
D	ClMinFValToFValDelay

$$\text{FrameRate} = \min(\text{SensorFrameRate}, \text{CameraLinkFrameRate})$$

Formula 13: Maximum frame rate possible with Goldeye CL-008 Cool TEC1

ROI frame rates with different setups

Examples for maximum frame rates possible with Goldeye CL-008 Cool TEC1, using a number of common resolutions, are listed in the following table.

Resolution		25 MHz		40 MHz	
Width	Height	Mono8/12, 2 Taps	Mono14, 1 Tap	Mono8/12, 2 Taps	Mono14, 1 Tap
320	256	344	274	344	344
320	240	366	292	366	366
160	120	1117	1059	1117	1117
128	32	4273	4273	4273	4273
128	8	12345	12345	12345	12345

Table 98: Goldeye CL-008 Cool TEC1 ROI frame rates by pixel format, clock frequency, and number of taps

Goldeye CL-030 TEC1

Imaging and performance

Parameter	Values
Sensor model	Sony IMX991 SenSWIR
Sensor type	InGaAs
Sensor format	Type 1/4 (4.1 mm diagonal)
Shutter type	Global shutter
Spectral range	400 nm to 1700 nm
Resolution	656 (H) × 520 (V)
Pixel size	5 μm × 5 μm
Effective chip size	3.28 mm × 2.6 mm
Dark current (at +20 °C FPA temperature)	4.8 ke ⁻ /s
Temporal dark noise (0 dB)	250 e ⁻
Temporal dark noise (18 dB)	210 e ⁻
Saturation capacity (0 dB)	165 ke ⁻
Saturation capacity (18 dB)	17.2 ke ⁻
Dynamic range (0 dB)	56.4 dB
Dynamic range (18 dB)	38.2 dB
Pixel operability	>99.5%
Exposure time	16 μs to 200 ms ¹ (Normal ²) 3 μs to 7 μs (Ultrashort ²)
Max. frame rate at full resolution	234 fps
Temperature control	Single-stage thermo-electric cooling (TEC1)
Analog gain factor	1 (0 dB), 7.9 (18 dB)
A/D converter	12-bit
Image buffer size	256 MB
Stream hold capacity	370 frames at full resolution
¹ Maximum exposure value given is valid for 0 dB and sensor temperature of +20 °C. Even longer exposures can be set, but the image quality may deteriorate.	
² Values for ExposureRangeMode = <i>Normal</i> or <i>Ultrashort</i>	

Table 99: Goldeye CL-030 TEC1 imaging and performance

Output

Parameter	Values
Digital interface	Camera Link Base, up to 2 taps, 40 MHz, SDR-26 connector, Serial Control Channel
Bit depth	8-bit, 12-bit, 14-bit
Pixel formats	<ul style="list-style-type: none"> Tap geometry 1X 1Y: Mono8, Mono12 Tap geometry 1X2 1Y: Mono8, Mono12

Table 100: Goldeye CL-030 TEC1 output

GPIOs

Parameter	Values
Opto-isolated I/Os	1 input, 2 outputs
RS232	up to 115,200 bits per second, 8N1 (adjustable)
LVTTL I/Os	1 input, 1 output
LVDS inputs	CC1- CC4

Table 101: Goldeye CL-030 TEC1 GPIOs

Mechanics

Parameter	Values
Body dimensions (L × W × H) without lens mount adapter	78 mm × 55 mm × 55 mm
Lens mount	C-Mount
Mass, including lens mount	330 g

Table 102: Goldeye CL-030 TEC1 mechanics

Operating conditions

Parameter	Values
Operating temperature	-20 °C to +55 °C (housing)
Storage temperature	-30 °C to +70 °C (ambient)
Temperature setpoints ¹	<ul style="list-style-type: none"> +20 °C (default and calibrated) +5 °C, +35 °C, +50 °C (uncalibrated) User-configurable
Relative humidity	10% to 95%, non-condensing
Power requirements (DC)	10.8 V to 30.0 V
Max. power consumption	11.8 W (12 VDC)
Typical power consumption without cooling	5.4 W (12 VDC)

Table 103: Goldeye CL-030 TEC1 operating conditions

Relative QE

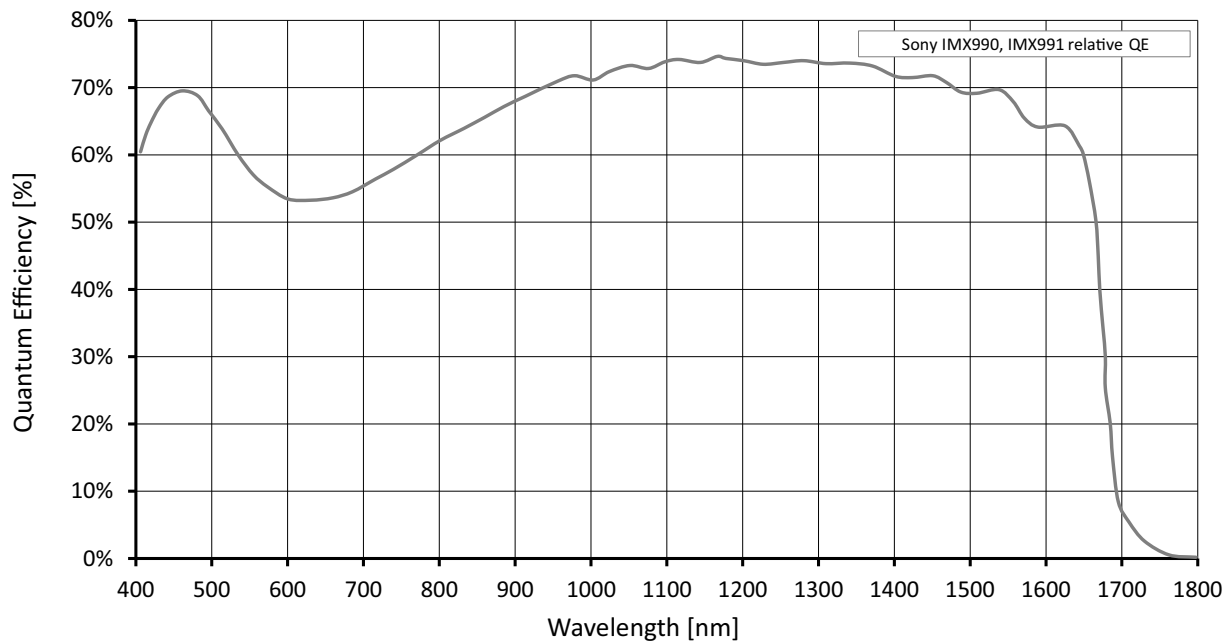


Figure 30: Goldeye CL-030 TEC1 relative QE

Resolution and ROI frame rates

The maximum frame rate achievable with Goldeye CL-030 models (in frames per second) is determined by the ROI size. Calculate the maximum frame rate using the following formula.

$$\text{SensorFrameRate} = \frac{\text{PF}}{\text{V} + 36}$$

PF	Pixel format factor <ul style="list-style-type: none"> • Mono8: 130208.33 • Mono12: 75604.84 • Mono12p: 75604.84
V	ROI: vertical resolution (height). The formula is valid if $V \geq 8$. For V always use the value rounded up to the next multiple of 8.

When using the formula, please consider the following:

- The formula serves as a rough estimation.
- Valid for IntegrateWhileRead-Mode only.
- ROI minimum width and height are 8 pixels.
- Exposure time may reduce the frame rate.
- Computational limitations of the host and image capture software may prevent the camera from achieving maximum frame rates.

Formula 14: Maximum frame rate possible with Goldeye CL-030 TEC1

ROI frame rates with different setups

Examples for maximum frame rates possible with Goldeye CL-030 TEC1, using a number of common resolutions, are listed in the following tables.

Resolution		Mono8 (2 Taps)			Mono8 (1 Tap)		
Width	Height	25 MHz	55 MHz	85 MHz	25 MHz	55 MHz	85 MHz
656	520	120	234	234	66	145	224
640	480	132	252	252	73	160	248
320	240	447	471	471	265	471	471
160	120	834	834	834	834	834	834
656	264	231	433	433	128	282	433
656	8	2958	2958	2958	2469	2958	2958
8	520	234	234	234	234	234	234
8	8	2958	2958	2958	2958	2958	2958

Table 104: Goldeye CL-030 TEC1 ROI frame rates by clock frequency and number of taps for Mono8

Resolution		Mono12 (2 Taps)			Mono12 (1 Tap)		
Width	Height	25 MHz	55 MHz	85 MHz	25 MHz	55 MHz	85 MHz
656	520	120	135	135	66	135	135
640	480	132	146	146	73	146	146
320	240	273	273	273	265	273	273
160	120	484	484	484	484	484	484
656	264	231	251	251	128	251	251
656	8	1718	1718	1718	1718	1718	1718
8	520	135	135	135	135	135	135
8	8	1718	1718	1718	1718	1718	1718

Table 105: Goldeye CL-030 TEC1 ROI frame rates by clock frequency and number of taps for Mono12

Goldeye CL-032 TEC1

Imaging and performance

Parameter	Values
Sensor	InGaAs, progressive scan, electronic full frame shutter
Sensor type	FPA
Spectral range	900 nm to 1700 nm
Resolution	636 (H) × 508 (V)
Pixel size	25 μm × 25 μm
Effective chip size	15.9 mm × 12.7 mm
Dark current (at +20 °C FPA temperature)	380 ke ⁻ /s
Temporal dark noise (Gain0)	400 e ⁻
Temporal dark noise (Gain1)	170 e ⁻
Saturation capacity (Gain0)	1.9 Me ⁻
Saturation capacity (Gain1)	39 ke ⁻
Dynamic range (Gain0)	73 dB
Dynamic range (Gain1)	47 dB
Pixel operability	>99.5%
Exposure time	6 μs to 200 ms ¹
Max. frame rate at full resolution	100 fps
Temperature control	Single-stage thermo-electric cooling (TEC1)
Analog gain factor	1 (Gain0), 50 (Gain1)
A/D converter	14-bit
Image buffer size	256 MB
Stream hold capacity	397 frames at full resolution

¹ Maximum exposure value given is valid for Gain0 and sensor temperature of +25 °C. Even longer exposures can be set, but the image quality may deteriorate.

Table 106: Goldeye CL-032 TEC1 imaging and performance

Output

Parameter	Values
Digital interface	Camera Link Base, up to 2 taps, 40 MHz, SDR-26 connector, Serial Control Channel
Bit depth	8-bit, 12-bit, 14-bit
Pixel formats	<ul style="list-style-type: none"> Tap geometry 1X 1Y: Mono8, Mono12, Mono14 Tap geometry 1X2 1Y: Mono8, Mono12

Table 107: Goldeye CL-032 TEC1 output

GPIOs

Parameter	Values
Opto-isolated I/Os	1 input, 2 outputs
RS232	up to 115,200 bits per second, 8N1 (adjustable)
LVTTL I/Os	1 input, 1 output
LVDS inputs	CC1- CC4

Table 108: Goldeye CL-032 TEC1 GPIOs

Mechanics

Parameter	Values
Body dimensions (L × W × H) without lens adapter	78 mm × 55 mm × 55 mm
Lens mounts	C-Mount, F-Mount, M42-Mount
Mass, body only, without adapter	320 g
Mass, with C-Mount adapter	340 g
Mass, with F-Mount adapter	400 g
Mass, with M42-Mount adapter	360 g

Table 109: Goldeye CL-032 TEC1 mechanics

Operating conditions

Parameter	Values
Operating temperature	-20 °C to +55 °C (housing)
Storage temperature	-30 °C to +70 °C (ambient)
Sensor cooling temperature, setpoints	<ul style="list-style-type: none"> +20 °C (default and calibrated) +5 °C, +35 °C, +50 °C (uncalibrated) User-configurable
Relative humidity	10% to 95%, non-condensing
Power requirements (DC)	10.8 V to 30.0 V
Max. power consumption	10 W (12 VDC)
Typical power consumption without cooling	4.5 W (12 VDC)

Table 110: Goldeye CL-032 TEC1 operating conditions

Absolute QE



Figure 31: Goldeye CL-032 TEC1 absolute QE

Resolution and ROI frame rates

The maximum frame rate achievable with Goldeye CL-032 models (in frames per second) is determined by the ROI size. Calculate the maximum frame rate using the following formula.

$$\text{SensorFrameRate} = \frac{10,000,000}{\left[(V + 4) \times \left(\frac{H}{4} + 32 \right) \right] + 131}$$

H	ROI: horizontal resolution (width). The formula is valid if $H \geq 128$. For H always use the value rounded up to the next multiple of 16.
V	ROI: vertical resolution (height). The formula is valid if $V \geq 8$. For V always use the value rounded up to the next multiple of 4.

When using the formula, please consider the following:

- Round the denominator down to the next full μs .
- Minimum ROI width is 8 pixels, minimum ROI height is 4 pixels.
- The formula generally outputs very exact values, however when the ROI approaches its minimum size, the accuracy decreases by some degree.
- Computational limitations of the host and image capture software may prevent the camera from achieving maximum frame rates.

$$\text{CameraLinkFrameRate} = \frac{\text{ClFrequency}}{\left[\max((3 \times H + 32), A) + \left(\frac{H}{\text{Taps}} + B \right) (V - 1) + \left(\frac{H}{\text{Taps}} \right) + C + D \right]}$$

$$\text{FrameRate} = \min(\text{SensorFrameRate}, \text{CameraLinkFrameRate})$$

A	CIMinFValToLValDelay
B	CLLValToLValDelay
C	CLLValToFValDelay
D	CIMinFValToFValDelay

Formula 15: Maximum frame rate possible with Goldeye CL-032 TEC1

ROI frame rates with different setups

Examples for maximum frame rates possible with Goldeye CL-032 TEC1, using a number of common resolutions, are listed in the following table.

Resolution		Mono8, Mono12 (2 Taps)		Mono14 (1Tap)	
Width	Height	25 MHz	40 MHz	25 MHz	40 MHz
636	508	100	100	73	100
636	480	107	107	77	107
320	240	351	351	292	351
160	120	1047	1047	1047	1047
128	32	3507	3507	3507	3507
128	8	8264	8264	8264	8264

Table 111: Goldeye CL-032 TEC1 ROI frame rates by pixel format, clock frequency, and number of taps

Goldeye CL-032 Cool TEC2

Imaging and performance

Parameter	Values
Sensor	InGaAs, progressive scan, electronic full frame shutter
Sensor type	FPA
Spectral range	900 nm to 1700 nm
Resolution	636 (H) × 508 (V)
Pixel size	25 μm × 25 μm
Effective chip size	15.9 mm × 12.7 mm
Dark current (at -20 °C FPA temperature)	30 ke ⁻ /s
Temporal dark noise (Gain0)	400 e ⁻
Temporal dark noise (Gain1)	170 e ⁻
Saturation capacity (Gain0)	1.9 Me ⁻
Saturation capacity (Gain1)	39 ke ⁻
Dynamic range (Gain0)	73 dB
Dynamic range (Gain1)	47 dB
Pixel operability	>99.5%
Exposure time	6 μs to 1250 ms ¹
Max. frame rate at full resolution	100 fps
Temperature control	Dual-stage thermo-electric cooling (TEC2)
Analog gain factor	1 (Gain0), 50 (Gain1)
A/D converter	14-bit
Image buffer size	256 MB
Stream hold capacity	397 frames at full resolution

¹ Maximum exposure value given is valid for Gain0 and sensor temperature of -20 °C. Even longer exposures can be set, but the image quality may deteriorate.

Table 112: Goldeye CL-032 Cool TEC2 imaging and performance

Output

Parameter	Values
Digital interface	Camera Link Base, up to 2 taps, 40 MHz, SDR-26 connector, Serial Control Channel
Bit depth	8-bit, 12-bit, 14-bit
Pixel formats	<ul style="list-style-type: none"> Tap geometry 1X 1Y: Mono8, Mono12, Mono14 Tap geometry 1X2 1Y: Mono8, Mono12

Table 113: Goldeye CL-032 Cool TEC2 output

GPIOs

Parameter	Values
Opto-isolated I/Os	1 input, 2 outputs
RS232	up to 115,200 bits per second, 8N1 (adjustable)
LVTTL I/Os	1 input, 1 output
LVDS inputs	CC1- CC4

Table 114: Goldeye CL-032 Cool TEC2 GPIOs

Mechanics

Parameter	Values
Body dimensions (L × W × H) without lens adapter	90 mm × 80 mm × 80 mm
Lens mounts	<ul style="list-style-type: none"> C-Mount F-Mount and M42-Mount available on request
Mass, body only, without adapter	760 g
Mass, with C-Mount adapter	780 g
Mass, with F-Mount adapter	840 g
Mass, with M42-Mount adapter	800 g

Table 115: Goldeye CL-032 Cool TEC2 mechanics

Operating conditions

Parameter	Values
Operating temperature	-20 °C to +55 °C (housing)
Storage temperature	-30 °C to +70 °C (ambient)
Sensor cooling temperature, setpoints	<ul style="list-style-type: none"> -20 °C (default and calibrated) -5 °C, +10 °C (uncalibrated) User-configurable
Relative humidity	10% to 95%, non-condensing
Power requirements	10.8 V to 10.8 VDC
Max. power consumption	19 W (12 VDC)
Typical power consumption without cooling	5.5 W (12 VDC)

Table 116: Goldeye CL-032 Cool TEC2 operating conditions

Absolute QE

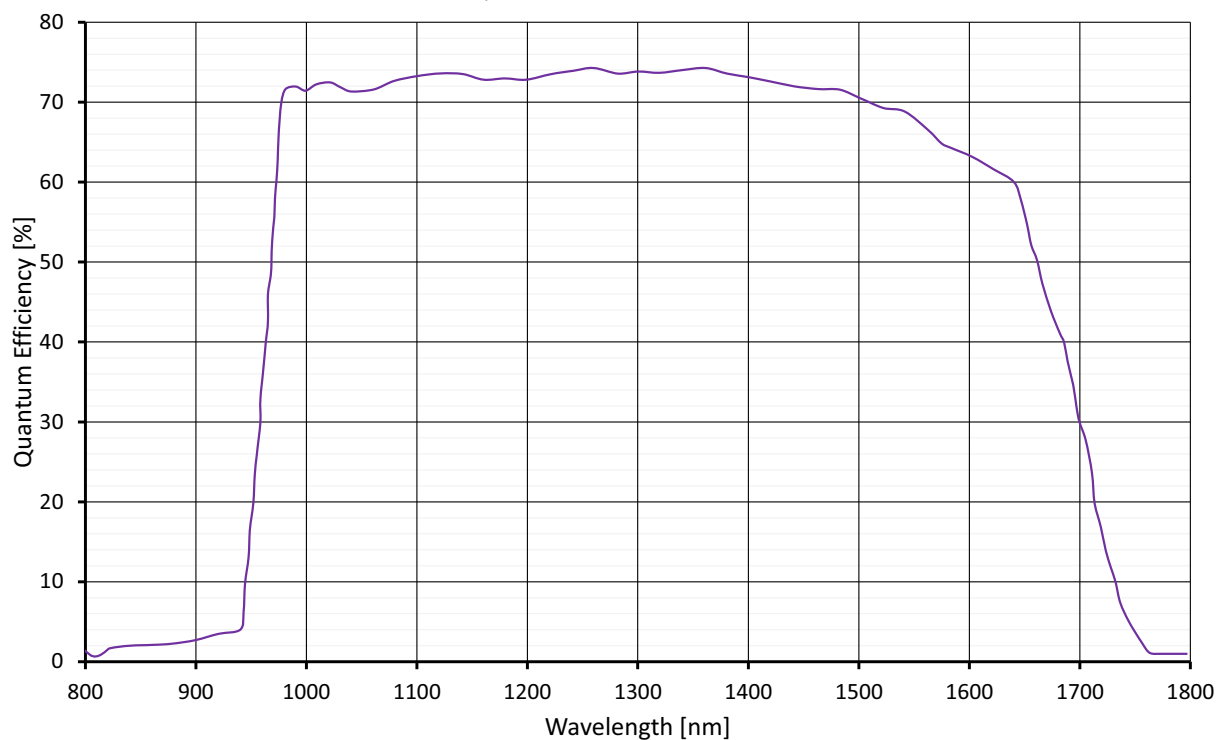


Figure 32: Goldeye CL-032 Cool TEC2 absolute QE

Resolution and ROI frame rates

The maximum frame rate achievable with Goldeye CL-032 Cool TEC2 (in frames per second) is determined by the ROI size. Calculate the maximum frame rate using the following formula.

$$\text{SensorFrameRate} = \frac{10,000,000}{\left[(V + 4) \times \left(\frac{H}{4} + 32 \right) \right] + 131}$$

H	ROI: horizontal resolution (width). The formula is valid if $H \geq 128$. For H always use the value rounded up to the next multiple of 16.
V	ROI: vertical resolution (height). The formula is valid if $V \geq 8$. For V always use the value rounded up to the next multiple of 4.

When using the formula, please consider the following:

- Round the denominator down to the next full μs .
- Minimum ROI width is 8 pixels, minimum ROI height is 4 pixels.
- The formula generally outputs very exact values, however when the ROI approaches its minimum size, the accuracy decreases by some degree.
- Computational limitations of the host and image capture software may prevent the camera from achieving maximum frame rates.

$$\text{CameraLinkFrameRate} = \frac{\text{ClFrequency}}{\left[\max((3 \times H + 32), A) + \left(\frac{H}{\text{Taps}} + B \right) (V - 1) + \left(\frac{H}{\text{Taps}} \right) + C + D \right]}$$

$$\text{FrameRate} = \min(\text{SensorFrameRate}, \text{CameraLinkFrameRate})$$

A	CIMinFValToLValDelay
B	CLLValToLValDelay
C	CLLValToFValDelay
D	CIMinFValToFValDelay

Formula 16: Maximum frame rate possible with Goldeye CL-032 Cool TEC2

ROI frame rates with different setups

Examples for maximum frame rates possible with Goldeye CL-032 Cool TEC2, using a number of common resolutions, are listed in the following table.

Resolution		Remarks	Max. frame rate [fps]
Width	Height		
636	508	Sensor full resolution	100
636	480	Approx. matches VGA format	107
320	240	QVGA	351
160	120	QQVGA	1047
≤ 128	≤ 8	For all resolutions smaller than this, the frame rate remains the same.	11123

Table 117: Goldeye CL-032 Cool TEC2 ROI frame rates by pixel format, clock frequency, and number of taps

Goldeye CL-033 TEC1

Imaging and performance

Parameter	Values
Sensor	InGaAs, progressive scan, electronic full frame shutter
Sensor type	FPA
Spectral range	900 nm to 1700 nm
Resolution	640 (H) × 512 (V)
Pixel size	15 μm × 15 μm
Effective chip size	9.6 mm × 7.68 mm
Dark current	110 ke ⁻ /s ¹
Temporal dark noise (Gain0)	390 e ⁻ ^{1, 2}
Temporal dark noise (Gain1)	53 e ⁻ ^{1, 2}
Temporal dark noise (Gain2)	32 e ⁻ ^{1, 2}
Saturation capacity (Gain0)	1.2 Me ⁻ ^{1, 2}
Saturation capacity (Gain1)	84.8 ke ⁻ ^{1, 2}
Saturation capacity (Gain2)	25 ke ⁻ ^{1, 2}
Dynamic range (Gain0)	69 dB ^{1, 2}
Dynamic range (Gain1)	64 dB ^{1, 2}
Dynamic range (Gain2)	59 dB ^{1, 2}
Pixel operability	>99.5%
Max. frame rate at full resolution	301 fps (8-bit and 12-bit pixel format)
Exposure time	1 μs to 200 ms ³
Temperature control	Single-stage thermo-electric cooling (TEC1)
Analog gain factor	1 (Gain0), 14 (Gain1), 45 (Gain2)
A/D converter	14-bit
Image buffer size	256 MB
Stream hold capacity	392 frames at full resolution

¹ Typical values that are determined similar to EMVA 1288 under 1200 nm LED illumination. Given values are mean values of multiple different measurements at +20 °C FPA temperature, if not stated otherwise.

² Measured with CDS delay of 12 μs.

³ Maximum exposure value given is valid for Gain0 and sensor temperature of +25 °C. Even longer exposures can be set, but the image quality may deteriorate.

Table 118: Goldeye CL-033 TEC1 imaging and performance

Output

Parameter	Values
Digital interface	Camera Link Base, up to 2 taps, 85 MHz, SDR-26 connector, Serial Control Channel
Bit depth	8-bit, 12-bit, 14-bit
Pixel formats	<ul style="list-style-type: none"> Tap geometry 1X 1Y: Mono8, Mono12, Mono14 Tap geometry 1X2 1Y: Mono8, Mono12

Table 119: Goldeye CL-033 TEC1 output

GPIOs

Parameter	Values
Opto-isolated I/Os	1 input, 2 outputs
RS232	up to 115,200 bits per second, 8N1 (adjustable)
LVTTL I/Os	1 input, 1 output
LVDS inputs	CC1- CC4

Table 120: Goldeye CL-033 TEC1 GPIOs

Mechanics

Parameter	Values
Body dimensions (L × W × H) without lens adapter	78 mm × 55 mm × 55 mm
Lens mount	C-Mount, F-Mount, M42-Mount available
Mass, body only, without adapter	330 g
Mass, with C-Mount adapter	350 g
Mass, with F-Mount adapter	400 g
Mass, with M42-Mount adapter	370 g

Table 121: Goldeye CL-033 TEC1 mechanics

Operating conditions

Parameter	Values
Operating temperature	-20 °C to +55 °C (housing)
Storage temperature	-30 °C to +70 °C (ambient)
Sensor cooling temperature, setpoints	<ul style="list-style-type: none"> +20 °C (default and calibrated) +5 °C, +35 °C, +50 °C (uncalibrated) User-configurable
Relative humidity	10% to 95%, non-condensing
Power requirements	10.8 VDC to 30.0 VDC
Max. power consumption	11.8 W (12 VDC)
Typical power consumption without cooling	6.3 W (12 VDC)

Table 122: Goldeye CL-033 TEC1 operating conditions

Absolute QE

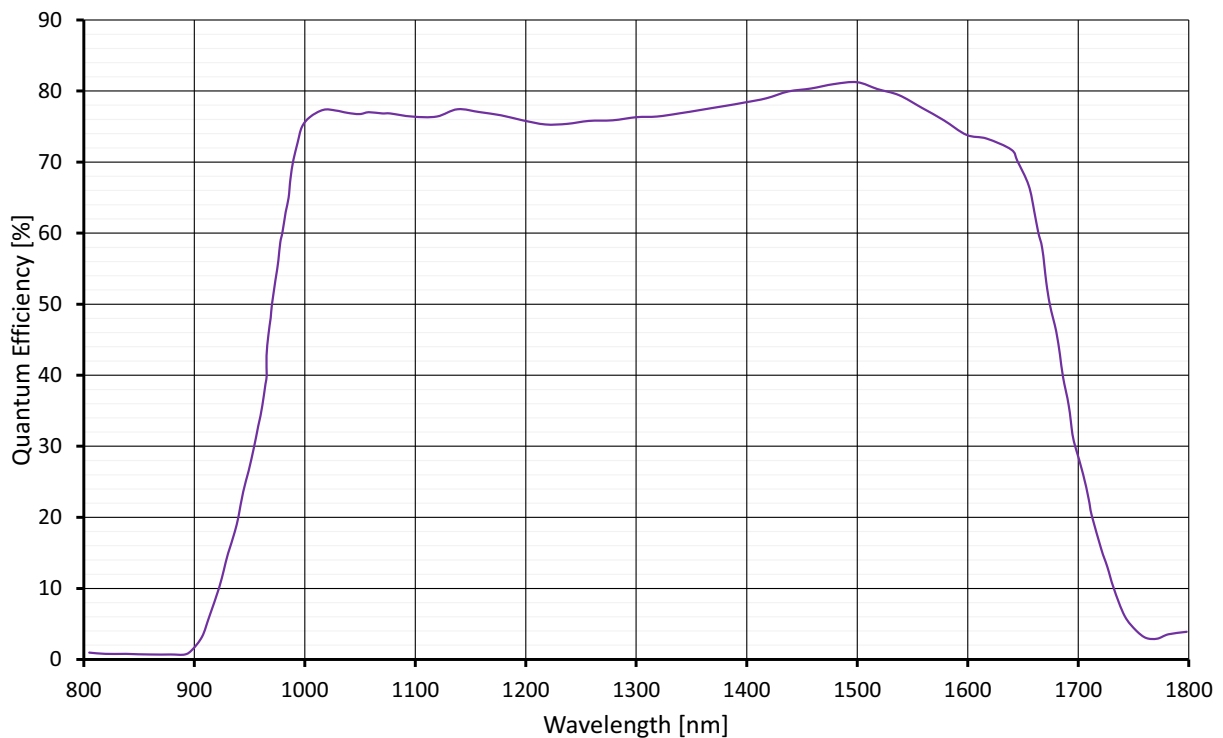


Figure 33: Goldeye CL-033 TEC1 absolute QE

Resolution and ROI frame rate

The maximum frame rate achievable with Goldeye CL-033 TEC1 (in frames per second) is determined by the ROI size. Calculate the maximum frame rate using the following formula.

$$\text{SensorFrameRate} = \frac{18,000,000}{\left[(V + 1) \times \left(\frac{H}{8} + 36 \right) \right] + 254}$$

H	ROI: horizontal resolution (width). The formula is valid if $H \geq 128$. For H always use the value rounded up to the next multiple of 32.
V	ROI: vertical resolution (height). The formula is valid if $V \geq 8$. For V always use the value rounded up to the next multiple of 4.

When using the formula, please consider the following:

- Round the denominator up or down to the next full μs .
- Minimum ROI width is 8 pixels, minimum ROI height is 4 pixels.
- The formula generally outputs very exact values, however when the ROI approaches its minimum size, the accuracy decreases by some degree.
- Computational limitations of the host and image capture software may prevent the camera from achieving maximum frame rates.

$$\text{CameraLinkFrameRate} = \frac{\text{ClFrequency}}{\left[\max((3 \times H + 32), A) + \left(\frac{H}{\text{Taps}} + B \right) (V - 1) + \left(\frac{H}{\text{Taps}} \right) + C + D \right]}$$

$$\text{FrameRate} = \min(\text{SensorFrameRate}, \text{CameraLinkFrameRate})$$

A	CIMinFValToLValDelay
B	CLLValToLValDelay
C	CLLValToFValDelay
D	CIMinFValToFValDelay

Formula 17: Maximum frame rate possible with Goldeye CL-033 TEC1

ROI frame rates with different setups

Examples for maximum frame rates possible with the Goldeye CL-033 TEC1, using a number of common resolutions, are listed in the following table.

Resolution		Mono8, Mono12 (2 Taps)			Mono14 (1Tap)		
Width	Height	25 MHz	55 MHz	85 MHz	25 MHz	55 MHz	85 MHz
640	512	125	276	301	68	151	234
640	480	134	295	321	73	161	250
320	256	428	251	909	251	553	855
320	240	456	268	968	268	590	912
160	120	1404	912	2557	912	2004	2557
128	32	5524	3802	9174	3802	8333	9174
128	8	17241	12658	25000	12658	25000	25000

Table 123: Goldeye CL-033 TEC1 ROI frame rates by pixel format, clock frequency, and number of taps

Goldeye CL-033 TECless

Imaging and performance

Parameter	Values
Sensor	InGaAs, progressive scan, electronic full frame shutter
Sensor type	FPA
Spectral range	900 nm to 1700 nm
Resolution	640 (H) × 512 (V)
Pixel size	15 μm × 15 μm
Effective chip size	9.6 mm × 7.68 mm
Dark current (at +45 °C FPA temperature)	430 ke ⁻ /s ¹
Temporal dark noise (Gain0)	390 e ⁻ ^{1, 2}
Temporal dark noise (Gain1)	53 e ⁻ ^{1, 2}
Temporal dark noise (Gain2)	32 e ⁻ ^{1, 2}
Saturation capacity (Gain0)	1.2 Me ⁻ ^{1, 2}
Saturation capacity (Gain1)	84.8 ke ⁻ ^{1, 2}
Saturation capacity (Gain2)	25 ke ⁻ ^{1, 2}
Dynamic range (Gain0)	69 dB ^{1, 2}
Dynamic range (Gain1)	64 dB ^{1, 2}
Dynamic range (Gain2)	59 dB ^{1, 2}
Pixel operability	>99.5%
Max. frame rate at full resolution	301 fps (8-bit and 12-bit pixel format)
Exposure time	1 μs to 200 ms ³
Temperature control	Without thermo-electric cooling (TECless)
Analog gain factor	1 (Gain0), 14 (Gain1), 45 (Gain2)
A/D converter	14-bit
Image buffer size	256 MB
Stream hold capacity	392 frames at full resolution

¹ Typical values that are determined similar to EMVA 1288 under 1200 nm LED illumination. Given values are mean values of multiple different measurements at +45 °C FPA temperature, if not stated otherwise.

² Measured with CDS delay of 12 μs.

³ Maximum exposure value given is valid for Gain0 and sensor temperature of +45 °C. Even longer exposures can be set, but the image quality may deteriorate.

Table 124: Goldeye CL-033 TECless imaging and performance

Output

Parameter	Values
Digital interface	Camera Link Base, up to 2 taps, 85 MHz, SDR-26 connector, Serial Control Channel
Bit depth	8-bit, 12-bit, 14-bit
Pixel formats	<ul style="list-style-type: none"> Tap geometry 1X 1Y: Mono8, Mono12, Mono14 Tap geometry 1X2 1Y: Mono8, Mono12

Table 125: Goldeye CL-033 TECless output

GPIO

Parameter	Values
Opto-isolated I/Os	1 input, 2 outputs
RS232	up to 115,200 bits per second, 8N1 (adjustable)
LVTTL I/Os	1 input, 1 output
LVDS inputs	CC1- CC4

Table 126: Goldeye CL-033 TECless GPIOs

Mechanics

Parameter	Values
Body dimensions (L × W × H) without lens adapter	78 mm × 55 mm × 55 mm
Lens mounts	<ul style="list-style-type: none"> C-Mount F-Mount and M42-Mount available on request
Mass, body only, without adapter	300 g
Mass, with C-Mount adapter	320 g
Mass, with F-Mount adapter	370 g
Mass, with M42-Mount adapter	340 g

Table 127: Goldeye CL-033 TECless mechanics

Operating conditions

Parameter	Values
Operating temperature	-20 °C to +55 °C (housing)
Storage temperature	-30 °C to +70 °C (ambient)
Sensor cooling temperature, setpoints	Not applicable to TECless models.
Relative humidity	10% to 95%, non-condensing
Power requirements	10.8 VDC to 30.0 VDC
Max. power consumption	6.0 W (12 VDC)
Typical power consumption	6.0 W (12 VDC)

Table 128: Goldeye CL-033 TECless operating conditions

Absolute QE

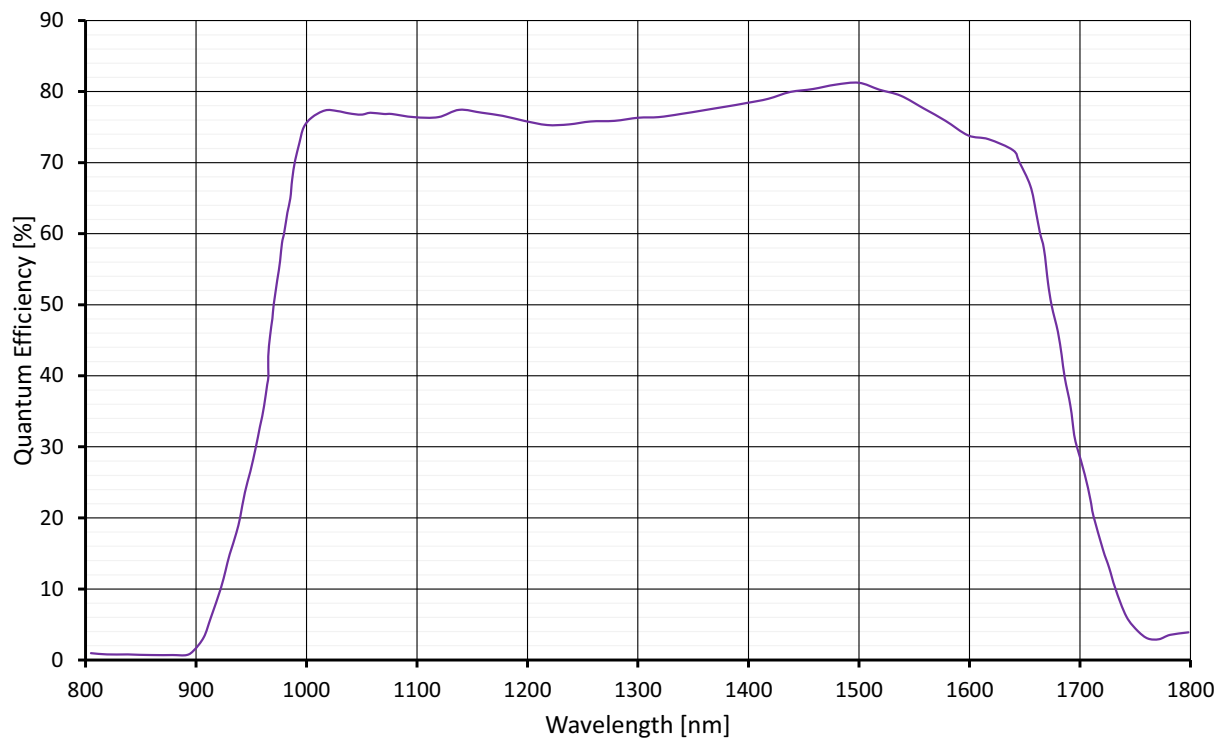


Figure 34: Goldeye CL-033 TECless absolute QE

Resolution and ROI frame rate

The maximum frame rate achievable with Goldeye CL-033 TECless (in frames per second) is determined by the ROI size. Calculate the maximum frame rate using the following formula.

$$\text{SensorFrameRate} = \frac{18,000,000}{\left[(V + 1) \times \left(\frac{H}{8} + 36 \right) \right] + 254}$$

H	ROI: horizontal resolution (width). The formula is valid if $H \geq 128$. For H always use the value rounded up to the next multiple of 32.
V	ROI: vertical resolution (height). The formula is valid if $V \geq 8$. For V always use the value rounded up to the next multiple of 4.

When using the formula, please consider the following:

- Round the denominator up or down to the next full μs .
- Minimum ROI width is 8 pixels, minimum ROI height is 4 pixels.
- The formula generally outputs very exact values, however when the ROI approaches its minimum size, the accuracy decreases by some degree.
- Computational limitations of the host and image capture software may prevent the camera from achieving maximum frame rates.

$$\text{CameraLinkFrameRate} = \frac{\text{ClFrequency}}{\left[\max((3 \times H + 32), A) + \left(\frac{H}{\text{Taps}} + B \right) (V - 1) + \left(\frac{H}{\text{Taps}} \right) + C + D \right]}$$

$$\text{FrameRate} = \min(\text{SensorFrameRate}, \text{CameraLinkFrameRate})$$

A	CIMinFValToLValDelay
B	CLLValToLValDelay
C	CLLValToFValDelay
D	CIMinFValToFValDelay

Formula 18: Maximum frame rate possible with Goldeye CL-033 TECless

ROI frame rates with different setups

Examples for maximum frame rates possible with Goldeye CL-033 TECless, using a number of common resolutions, are listed in the following table.

Resolution		Mono8, Mono12 (2 Taps)			Mono14 (1Tap)		
Width	Height	25 MHz	55 MHz	85 MHz	25 MHz	55 MHz	85 MHz
640	512	125	276	301	68	151	234
640	480	134	295	321	73	161	250
320	256	428	251	909	251	553	855
320	240	456	268	968	268	590	912
160	120	1404	912	2557	912	2004	2557
128	32	5524	3802	9174	3802	8333	9174
128	8	17241	12658	25000	12658	25000	25000

Table 129: Goldeye CL-033 TECless ROI frame rates by pixel format, clock frequency, and number of taps

Goldeye CL-034 TEC1

Imaging and performance

Parameter	Values
Sensor	InGaAs, progressive scan, electronic full frame shutter
Sensor type	FPA
Spectral range	900 nm to 1700 nm
Resolution	636 (H) × 508 (V)
Pixel size	15 μm × 15 μm
Effective chip size	9.6 mm × 7.68 mm
Dark current	49 ke ⁻ /s ¹
Temporal dark noise (Gain0)	390 e ⁻ ^{1, 2}
Temporal dark noise (Gain1)	53 e ⁻ ^{1, 2}
Temporal dark noise (Gain2)	32 e ⁻ ^{1, 2}
Saturation capacity (Gain0)	1.2 Me ⁻ ^{1, 2}
Saturation capacity (Gain1)	84.8 ke ⁻ ^{1, 2}
Saturation capacity (Gain2)	25 ke ⁻ ^{1, 2}
Dynamic range (Gain0)	69 dB ^{1, 2}
Dynamic range (Gain1)	64 dB ^{1, 2}
Dynamic range (Gain2)	59 dB ^{1, 2}
Pixel operability	>99.5%
Max. frame rate at full resolution	303 fps (8-bit and 12-bit pixel format)
Exposure time	1 μs to 200 ms ³
Temperature control	Single-stage thermo-electric cooling (TEC1)
Analog gain factor	1 (Gain0), 14 (Gain1), 45 (Gain2)
A/D converter	14-bit
Image buffer size	256 MB
Stream hold capacity	392 frames at full resolution

¹ Typical values that are determined similar to EMVA 1288 under 1200 nm LED illumination. Given values are mean values of multiple different measurements at +20 °C FPA temperature, if not stated otherwise.

² Measured with CDS delay of 12 μs.

³ Maximum exposure value given is valid for Gain0 and sensor temperature of +25 °C. Even longer exposures can be set, but the image quality may deteriorate.

Table 130: Goldeye CL-034 TEC1 imaging and performance

Output

Parameter	Values
Digital interface	Camera Link Base, up to 2 taps, 85 MHz, SDR-26 connector, Serial Control Channel
Bit depth	8-bit, 10-bit, 12-bit, 14-bit
Pixel formats	<ul style="list-style-type: none"> Tap geometry 1X 1Y: Mono8, Mono10, Mono12, Mono14 Tap geometry 1X2 1Y: Mono8, Mono10, Mono12

Table 131: Goldeye CL-034 TEC1 output

GPIOs

Parameter	Values
Opto-isolated I/Os	1 input, 2 outputs
RS232	up to 115,200 bits per second, 8N1 (adjustable)
LVTTL I/Os	1 input, 1 output
LVDS inputs	CC1- CC4

Table 132: Goldeye CL-034 TEC1 GPIOs

Mechanics

Parameter	Values
Body dimensions (L × W × H) without lens adapter	78 mm × 55 mm × 55 mm
Lens mounts	C-Mount, F-Mount, M42-Mount
Mass, body only, without adapter	330 g
Mass, with C-Mount adapter	350 g
Mass, with F-Mount adapter	400 g
Mass, with M42-Mount adapter	370 g

Table 133: Goldeye CL-034 TEC1 mechanics

Operating conditions

Parameter	Values
Operating temperature	-20 °C to +55 °C (housing)
Storage temperature	-30 °C to +70 °C (ambient)
Sensor cooling temperature, setpoints	<ul style="list-style-type: none"> +20 °C (default and calibrated) +5 °C, +35 °C, +50 °C (uncalibrated) User-configurable
Relative humidity	10% to 95%, non-condensing
Power requirements (DC)	10.8 V to 30.0 V
Max. power consumption	11.8 W (12 VDC)
Typical power consumption without cooling	6.3 W (12 VDC)

Table 134: Goldeye CL-034 TEC1 operating conditions

Absolute QE

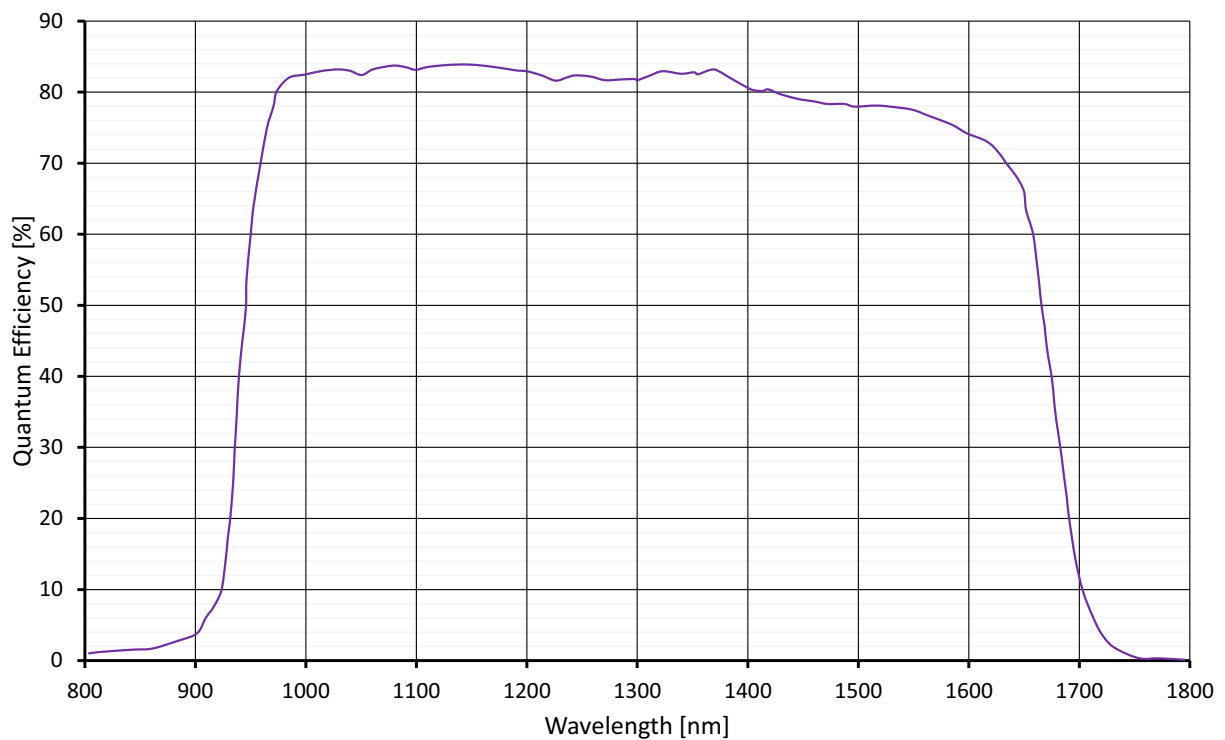


Figure 35: Goldeye CL-034 TEC1 absolute QE

Resolution and ROI frame rate

The maximum frame rate achievable with Goldeye CL-034 TEC1 (in frames per second) is determined by the ROI size. Calculate the maximum frame rate using the following formula

$$\text{SensorFrameRate} = \frac{18,000,000}{\left[(V + 1) \times \left(\frac{H}{8} + 36 \right) \right] + 254}$$

H	ROI: horizontal resolution (width). The formula is valid if $H \geq 128$. For H always use the value rounded up to the next multiple of 32.
V	ROI: vertical resolution (height). The formula is valid if $V \geq 8$. For V always use the value rounded up to the next multiple of 4.

When using the formula, please consider the following:

- Round the denominator up or down to the next full μs .
- Minimum ROI width is 8 pixels, minimum ROI height is 4 pixels.
- The formula generally outputs very exact values, however when the ROI approaches its minimum size, the accuracy decreases by some degree.
- Computational limitations of the host and image capture software may prevent the camera from achieving maximum frame rates.

$$\text{CameraLinkFrameRate} = \frac{\text{ClFrequency}}{\left[\max((3 \times H + 32), A) + \left(\frac{H}{\text{Taps}} + B \right) (V - 1) + \left(\frac{H}{\text{Taps}} \right) + C + D \right]}$$

$$\text{FrameRate} = \min(\text{SensorFrameRate}, \text{CameraLinkFrameRate})$$

A	CIMinFValToLValDelay
B	CLLValToLValDelay
C	CLLValToFValDelay
D	CIMinFValToFValDelay

Formula 19: Maximum frame rate possible with Goldeye CL-034 TEC1

ROI frame rates with different setups

Examples for maximum frame rates possible with the Goldeye CL-034 TEC1, using a number of common resolutions, are listed in the following table.

Resolution		Mono8, Mono12 (2 Taps)			Mono14 (1Tap)		
Width	Height	25 MHz	55 MHz	85 MHz	25 MHz	55 MHz	85 MHz
636	508	125	276	303	68	151	234
636	480	134	295	321	73	161	250
320	256	428	251	909	251	553	855
320	240	456	268	968	268	590	912
160	120	1404	912	2557	912	2004	2557
128	32	5524	3802	9174	3802	8333	9174
128	8	17241	12658	25000	12658	25000	25000

Table 135: Goldeye CL-034 TEC1 ROI frame rates by pixel format, clock frequency, and number of taps

Goldeye CL-034 XSWIR 1.9 TEC2

Imaging and performance

Parameter	Values
Sensor	InGaAs, progressive scan, electronic full frame shutter
Sensor type	FPA
Spectral range	1100 nm to 1900 nm
Resolution (H) × (V)	636 × 508
Pixel size	15 μm × 15 μm
Effective chip size	9.6 mm × 7.68 mm
Dark current	140 ke ⁻ /s ¹
Temporal dark noise (Gain0)	434 e ⁻ ^{1,2}
Temporal dark noise (Gain1)	40 e ⁻ ^{1,2}
Temporal dark noise (Gain2)	15 e ⁻ ^{1,2}
Saturation capacity (Gain0)	1.3 Me ⁻ ^{1,2}
Saturation capacity (Gain1)	66 ke ⁻ ^{1,2}
Saturation capacity (Gain2)	18 ke ⁻ ^{1,2}
Dynamic range (Gain0)	69 dB ^{1,2}
Dynamic range (Gain1)	64 dB ^{1,2}
Dynamic range (Gain2)	61 dB ^{1,2}
Pixel operability	>98.5% ^{1,2}
Max. frame rate at full resolution	303 fps (8-bit and 12-bit pixel format)
Exposure time	1 μs to 20 ms ³
Temperature control	Single-stage thermo-electric cooling (TEC1)
Analog gain factor	1 (Gain0), 14 (Gain1), 45 (Gain2)
A/D converter	14-bit
Image buffer size	256 MB
Stream hold capacity	392 frames at full resolution
¹ Typical values that are determined similar to EMVA 1288 under 1200 nm LED illumination. Given values are mean values of multiple different measurements at -30 °C FPA temperature, if not stated otherwise.	
² Measured with CDS delay of 12 μs.	
³ Maximum exposure value given is valid for Gain0 and sensor temperature of -30 °C. Even longer exposures can be set, but the image quality may deteriorate.	

Table 136: Goldeye CL-034 XSWIR 1.9 TEC2 imaging and performance

Output

Parameter	Values
Digital interface	Camera Link Base, up to 2 taps, 85 MHz, SDR-26 connector, Serial Control Channel
Bit depth	8-bit, 10-bit, 12-bit, 14-bit
Pixel formats	<ul style="list-style-type: none"> Tap geometry 1X 1Y: Mono8, Mono10, Mono12, Mono14 Tap geometry 1X2 1Y: Mono8, Mono10, Mono12

Table 137: Goldeye CL-034 XSWIR 1.9 TEC2 output

GPIOs

Parameter	Values
Opto-isolated I/Os	1 input, 2 outputs
RS232	up to 115,200 bits per second, 8N1 (adjustable)
LVTTL I/Os	1 input, 1 output
LVDS inputs	CC1- CC4

Table 138: Goldeye CL-034 XSWIR 1.9 TEC2 GPIOs

Mechanics

Parameter	Values
Body dimensions (L × W × H) without lens mount adapter	90 mm × 80 mm × 80 mm
Lens mount	C-Mount
Mass, including lens mount	740 g

Table 139: Goldeye CL-034 XSWIR 1.9 TEC2 mechanics

Operating conditions

Parameter	Values
Operating temperature	-20 °C to +55 °C (housing)
Storage temperature	-30 °C to +70 °C (ambient)
Sensor cooling temperature, setpoints	<ul style="list-style-type: none"> • -30 °C (default and calibrated) • -20 °C, -10 °C (calibrated) • 0 °C (uncalibrated) • User-configurable
Relative humidity	10% to 95%, non-condensing
Power requirements (DC)	10.8 V to 30.0 V
Max. power consumption	21 W (12 VDC)
Typical power consumption without cooling	7 W (12 VDC)

Table 140: Goldeye CL-034 XSWIR 1.9 TEC2 operating conditions

Absolute QE



Quantum efficiency for various sensor temperature values

The following curves relate to a sensor temperatures of -20 °C and -30 °C default, the sensitivity is slightly shifted to lower wave lengths, but the range is maintained. With increased sensor temperatures, the QE curve is slightly shifted to longer wavelengths, and for lower temperatures it is shifted to shorter wavelengths.

See the corresponding application note at www.alliedvision.com/fileadmin/content/documents/products/cameras/Goldeye_2/appnote/Goldeye-G-CL_AppNote_Temperature-Influence-on-Image-Quality_en.pdf.

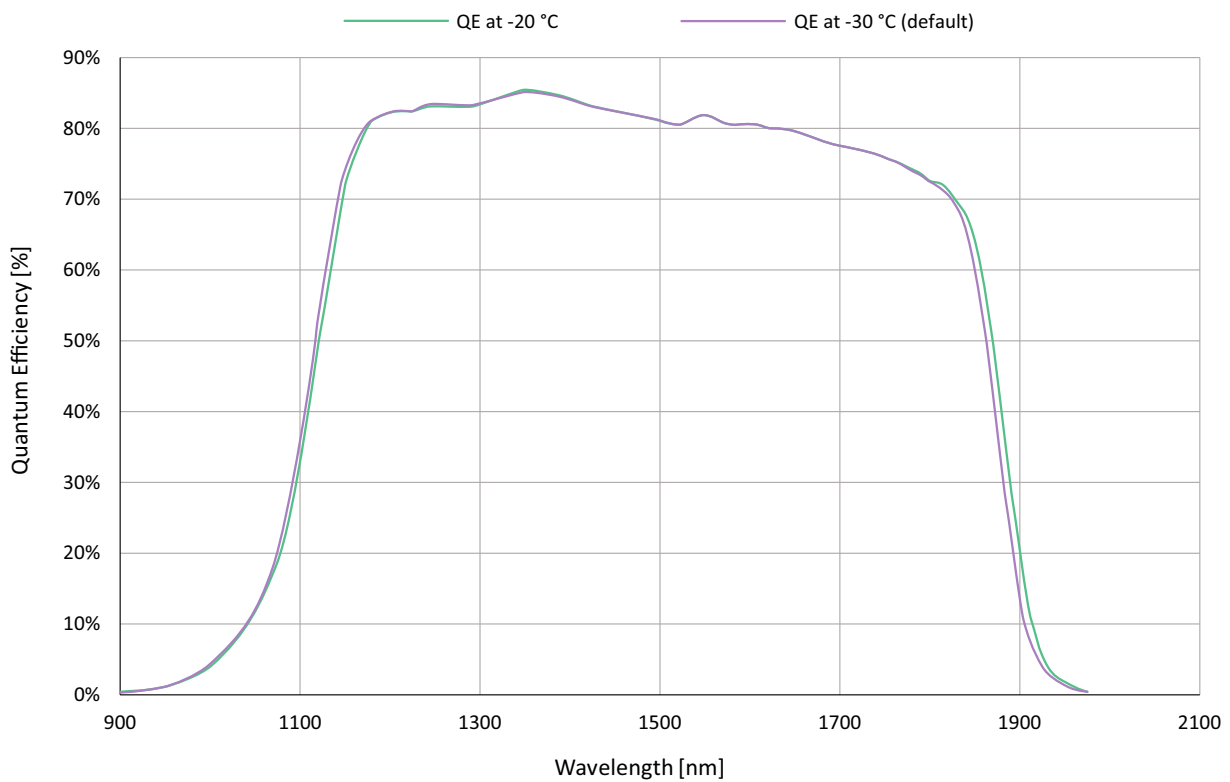


Figure 36: Goldeye CL-034 XSWIR 1.9 TEC2 absolute QE

Resolution and ROI frame rate



Values when using MultiRegions features

When the camera is operated using more than a single ROI, values in this section may not be reached.

The maximum frame rate achievable with Goldeye CL-034 XSWIR 1.9 TEC2 (in frames per second) is determined by the ROI size. Calculate the maximum frame rate using the following formula

$$\text{SensorFrameRate} = \frac{18,000,000}{\left[(V + 1) \times \left(\frac{H}{8} + 36 \right) \right] + 254}$$

H	ROI: horizontal resolution (width). The formula is valid if $H \geq 128$. For H always use the value rounded up to the next multiple of 32.
V	ROI: vertical resolution (height). The formula is valid if $V \geq 8$. For V always use the value rounded up to the next multiple of 4.

When using the formula, please consider the following:

- Round the denominator up or down to the next full μs .
- Minimum ROI width is 8 pixels, minimum ROI height is 4 pixels.
- The formula generally outputs very exact values, however when the ROI approaches its minimum size, the accuracy decreases by some degree.
- Computational limitations of the host and image capture software may prevent the camera from achieving maximum frame rates.

$$\text{CameraLinkFrameRate} = \frac{\text{CIFrequency}}{\left[\max((3 \times H + 32), A) + \left(\frac{H}{\text{Taps}} + B \right) (V - 1) + \left(\frac{H}{\text{Taps}} \right) + C + D \right]}$$

$$\text{FrameRate} = \min(\text{SensorFrameRate}, \text{CameraLinkFrameRate})$$

A	CIMinFValToLValDelay
B	CILValToLValDelay
C	CILValToFValDelay
D	CIMinFValToFValDelay

Formula 20: Maximum frame rate possible with Goldeye CL-034 XSWIR 1.9 TEC2

ROI frame rates with different setups

Examples for maximum frame rates possible with the Goldeye CL-034 XSWIR 1.9 TEC2, using a number of common resolutions, are listed in the following table.

Resolution		Mono8, Mono12 (2 Taps)			Mono14 (1Tap)		
Width	Height	25 MHz	55 MHz	85 MHz	25 MHz	55 MHz	85 MHz
636	508	125	276	303	68	151	234
636	480	134	295	321	73	161	250
320	256	428	251	909	251	553	855
320	240	456	268	968	268	590	912
160	120	1404	912	2557	912	2004	2557
128	32	5524	3802	9174	3802	8333	9174
128	8	17241	12658	25000	12658	25000	25000

Table 141: Goldeye CL-034 XSWIR 1.9 TEC2 ROI frame rates by pixel format, clock frequency, and number of taps

Goldeye CL-034 XSWIR 2.2 TEC2

Imaging and performance

Parameter	Values
Sensor	InGaAs, progressive scan, electronic full frame shutter
Sensor type	FPA
Spectral range	1200 nm to 2200 nm
Resolution (H) × (V)	636 × 508
Pixel size	15 μm × 15 μm
Effective chip size	9.6 mm × 7.68 mm
Dark current	820 ke ⁻ /s ¹
Temporal dark noise (Gain0)	452 e ⁻ ^{1,2}
Temporal dark noise (Gain1)	134 e ⁻ ^{1,2}
Temporal dark noise (Gain2)	58 e ⁻ ^{1,2}
Saturation capacity (Gain0)	1.16 Me ⁻ ^{1,2}
Saturation capacity (Gain1)	73 ke ⁻ ^{1,2}
Saturation capacity (Gain2)	25 ke ⁻ ^{1,2}
Dynamic range (Gain0)	68 dB ^{1,2}
Dynamic range (Gain1)	54 dB ^{1,2}
Dynamic range (Gain2)	52 dB ^{1,2}
Pixel operability	>98.5% ^{1,2}
Max. frame rate at full resolution	303 fps (8-bit and 12-bit pixel format)
Exposure time	1 μs to 10 ms ³
Temperature control	Single-stage thermo-electric cooling (TEC1)
Analog gain factor	1 (Gain0), 14 (Gain1), 45 (Gain2)
A/D converter	14-bit
Image buffer size	256 MB
Stream hold capacity	392 frames at full resolution
¹ Typical values that are determined similar to EMVA 1288 under 1485 nm LED illumination. Given values are mean values of multiple different measurements at -30 °C FPA temperature, if not stated otherwise.	
² Measured with CDS delay of 12 μs.	
³ Maximum exposure value given is valid for Gain0 and sensor temperature of -30 °C. Even longer exposures can be set, but the image quality may deteriorate.	

Table 142: Goldeye CL-034 XSWIR 2.2 TEC2 imaging and performance

Output

Parameter	Values
Digital interface	Camera Link Base, up to 2 taps, 85 MHz, SDR-26 connector, Serial Control Channel
Bit depth	8-bit, 10-bit, 12-bit, 14-bit
Pixel formats	<ul style="list-style-type: none"> Tap geometry 1X 1Y: Mono8, Mono10, Mono12, Mono14 Tap geometry 1X2 1Y: Mono8, Mono10, Mono12

Table 143: Goldeye CL-034 XSWIR 2.2 TEC2 output

GPIOs

Parameter	Values
Opto-isolated I/Os	1 input, 2 outputs
RS232	up to 115,200 bits per second, 8N1 (adjustable)
LVTTL I/Os	1 input, 1 output
LVDS inputs	CC1- CC4

Table 144: Goldeye CL-034 XSWIR 2.2 TEC2 GPIOs

Mechanics

Parameter	Values
Body dimensions (L × W × H) without lens mount adapter	90 mm × 80 mm × 80 mm
Lens mount	C-Mount
Mass, including lens mount	740 g

Table 145: Goldeye CL-034 XSWIR 2.2 TEC2 mechanics

Operating conditions

Parameter	Values
Operating temperature	-20 °C to +55 °C (housing)
Storage temperature	-30 °C to +70 °C (ambient)
Sensor cooling temperature, setpoints	<ul style="list-style-type: none"> • -30 °C (default and calibrated) • -20 °C, -10 °C (calibrated) • 0 °C (uncalibrated) • User-configurable
Relative humidity	10% to 95%, non-condensing
Power requirements (DC)	10.8 V to 30.0 V
Max. power consumption	21 W (12 VDC)
Typical power consumption without cooling	7 W (12 VDC)

Table 146: Goldeye CL-034 XSWIR 2.2 TEC2 operating conditions

Absolute QE



Quantum efficiency for various sensor temperature values

The following curves relate to a sensor temperatures of -20 °C and -30 °C default, the sensitivity is slightly shifted to lower wave lengths, but the range is maintained. With increased sensor temperatures, the QE curve is slightly shifted to longer wavelengths, and for lower temperatures it is shifted to shorter wavelengths.

See the corresponding application note at www.alliedvision.com/fileadmin/content/documents/products/cameras/Goldeye_2/appnote/Goldeye-G-CL_AppNote_Temperature-Influence-on-Image-Quality_en.pdf.

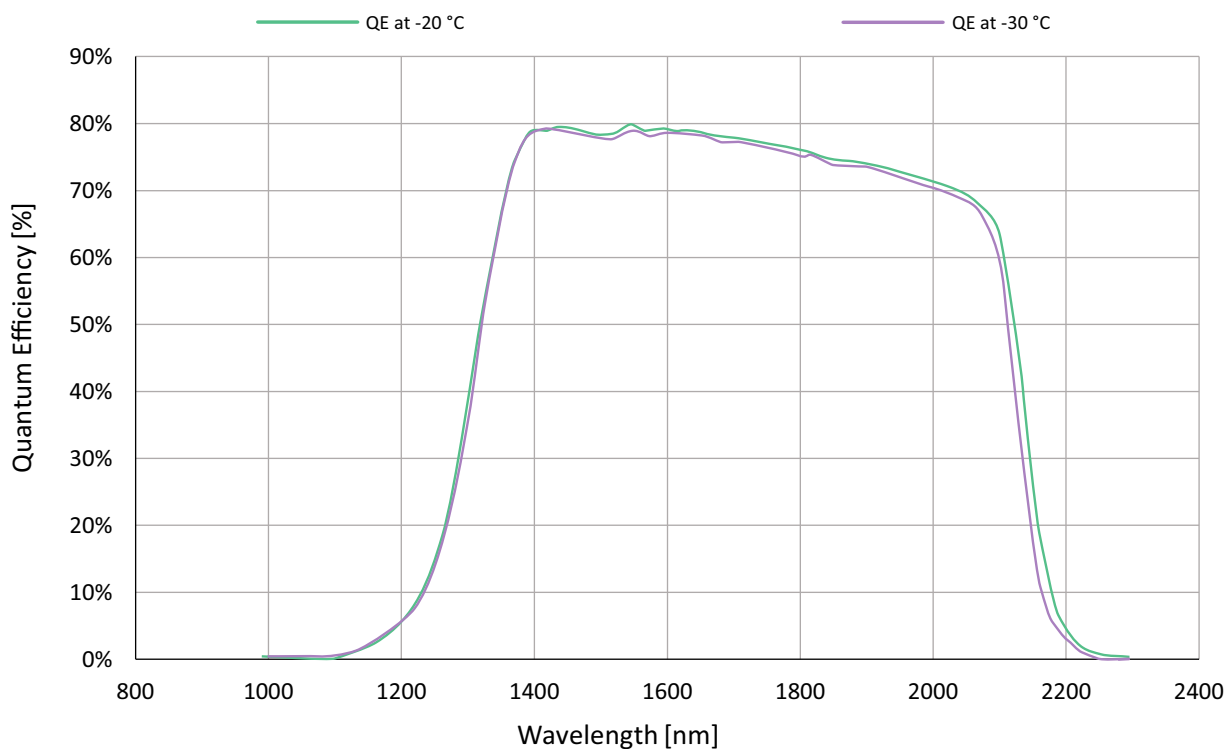


Figure 37: Goldeye CL-034 XSWIR 2.2 TEC2 absolute QE

Resolution and ROI frame rate



Values when using MultiRegions features

When the camera is operated using more than a single ROI, values in this section may not be reached.

The maximum frame rate achievable with Goldeye CL-034 XSWIR 2.2 TEC2 (in frames per second) is determined by the ROI size. Calculate the maximum frame rate using the following formula

$$\text{SensorFrameRate} = \frac{18,000,000}{\left[(V + 1) \times \left(\frac{H}{8} + 36 \right) \right] + 254}$$

H	ROI: horizontal resolution (width). The formula is valid if $H \geq 128$. For H always use the value rounded up to the next multiple of 32.
V	ROI: vertical resolution (height). The formula is valid if $V \geq 8$. For V always use the value rounded up to the next multiple of 4.

When using the formula, please consider the following:

- Round the denominator up or down to the next full μs .
- Minimum ROI width is 8 pixels, minimum ROI height is 4 pixels.
- The formula generally outputs very exact values, however when the ROI approaches its minimum size, the accuracy decreases by some degree.
- Computational limitations of the host and image capture software may prevent the camera from achieving maximum frame rates.

$$\text{CameraLinkFrameRate} = \frac{\text{CIFrequency}}{\left[\max((3 \times H + 32), A) + \left(\frac{H}{T_{\text{aps}}} + B \right) (V - 1) + \left(\frac{H}{T_{\text{aps}}} \right) + C + D \right]}$$

$$\text{FrameRate} = \min(\text{SensorFrameRate}, \text{CameraLinkFrameRate})$$

A	CIMinFValToLValDelay)
B	CLLValToLValDelay
C	CLLValToFValDelay
D	CIMinFValToFValDelay

Formula 21: Maximum frame rate possible with Goldeye CL-034 XSWIR 2.2 TEC2

ROI frame rates with different setups

Examples for maximum frame rates possible with the Goldeye CL-034 XSWIR 2.2 TEC2, using a number of common resolutions, are listed in the following table.

Resolution		Mono8, Mono12 (2 Taps)			Mono14 (1Tap)		
Width	Height	25 MHz	55 MHz	85 MHz	25 MHz	55 MHz	85 MHz
636	508	125	276	303	68	151	234
636	480	134	295	321	73	161	250
320	256	428	251	909	251	553	855
320	240	456	268	968	268	590	912
160	120	1404	912	2557	912	2004	2557
128	32	5524	3802	9174	3802	8333	9174
128	8	17241	12658	25000	12658	25000	25000

Table 147: Goldeye CL-034 XSWIR 2.2 TEC2 ROI frame rates by pixel format, clock frequency, and number of taps

Goldeye CL-130 TEC1

Imaging and performance

Parameter	Values
Sensor model	Sony IMX990 SenSWIR
Sensor type	InGaAs
Sensor format	Type 1/2 (8.2 mm diagonal)
Shutter type	Global shutter
Spectral range	400 nm to 1700 nm
Resolution	1280 (H) × 1024 (V)
Pixel size	5 μm × 5 μm
Effective chip size	6.4 mm × 5.12 mm
Dark current (at +20 °C FPA temperature)	4.8 ke ⁻ /s
Temporal dark noise (0 dB)	250 e ⁻
Temporal dark noise (18 dB)	210 e ⁻
Saturation capacity (0 dB)	165 ke ⁻
Saturation capacity (18 dB)	17.2 ke ⁻
Dynamic range (0 dB)	56.4 dB
Dynamic range (18 dB)	38.2 dB
Pixel operability	>99.5%
Exposure time	18 μs to 200 ms ¹ (Normal ²) 3 μs to 7 μs (Ultrashort ²)
Max. frame rate at full resolution	94 fps
Temperature control	Single-stage thermo-electric cooling (TEC1)
Analog gain factor	1 (0 dB), 7.9 (18 dB)
A/D converter	12-bit
Image buffer size	256 MB
Stream hold capacity	95 frames at full resolution
¹ Maximum exposure value given is valid for 0 dB and sensor temperature of +20 °C. Even longer exposures can be set, but the image quality may deteriorate.	
² Values for ExposureRangeMode = <i>Normal</i> or <i>Ultrashort</i>	

Table 148: Goldeye CL-130 TEC1 imaging and performance

Output

Parameter	Values
Digital interface	Camera Link Base, up to 2 taps, 40 MHz, SDR-26 connector, Serial Control Channel
Bit depth	8-bit, 12-bit, 14-bit
Pixel formats	<ul style="list-style-type: none"> Tap geometry 1X 1Y: Mono8, Mono12, Mono14 Tap geometry 1X2 1Y: Mono8, Mono12

Table 149: Goldeye CL-130 TEC1 output

GPIOs

Parameter	Values
Opto-isolated I/Os	1 input, 2 outputs
RS232	up to 115,200 bits per second, 8N1 (adjustable)
LVTTL I/Os	1 input, 1 output
LVDS inputs	CC1- CC4

Table 150: Goldeye CL-130 TEC1 GPIOs

Mechanics

Parameter	Values
Body dimensions (L × W × H) without lens mount adapter	78 mm × 55 mm × 55 mm
Lens mount	C-Mount
Mass, including lens mount	330 g

Table 151: Goldeye CL-130 TEC1 mechanics

Operating conditions

Parameter	Values
Operating temperature	-20 °C to +55 °C (housing)
Storage temperature	-30 °C to +70 °C (ambient)
Temperature setpoints ¹	<ul style="list-style-type: none"> +20 °C (default and calibrated) +5 °C, +35 °C, +50 °C (uncalibrated) User-configurable
Relative humidity	10% to 95%, non-condensing
Power requirements (DC)	10.8 V to 30.0 V
Max. power consumption	11.8 W (12 VDC)
Typical power consumption without cooling	5.4 W (12 VDC)

Table 152: Goldeye CL-130 TEC1 operating conditions

Relative QE

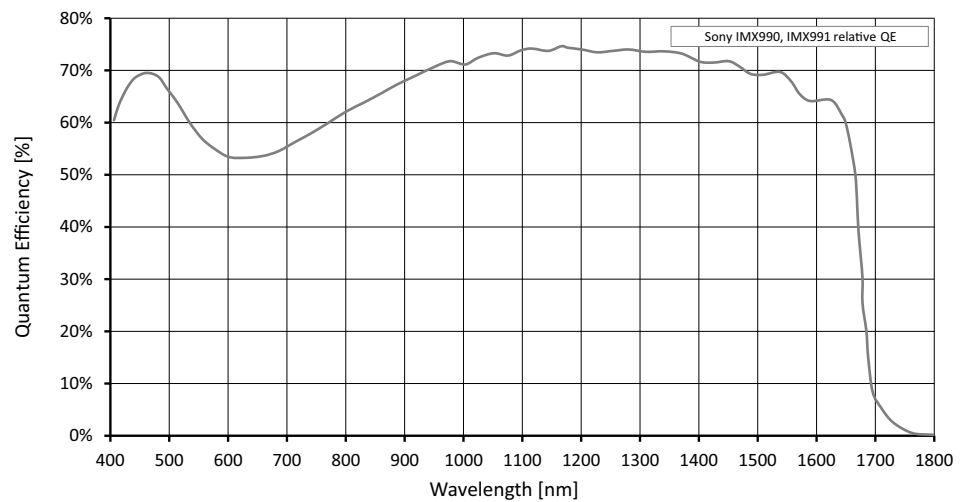


Figure 38: Goldeye CL-130 TEC1 relative QE

Resolution and ROI frame rates

The maximum frame rate achievable with Goldeye CL-130 models (in frames per second) is determined by the ROI size. Calculate the maximum frame rate using the following formula.

$$\text{SensorFrameRate} = \frac{\text{PF}}{\text{V} + 36}$$

$$\text{FrameRate} = \text{MIN}(\text{SensorFrameRate}, \text{GigEFrameRate})$$

	Pixel format factor
PF	<ul style="list-style-type: none"> • Mono8: 99734.04 • Mono12: 75604.84 • Mono12p: 75604.84
V	ROI: vertical resolution (height). The formula is valid if $V \geq 8$. For V always use the value rounded up to the next multiple of 8.

When using the formula, please consider the following:

- The formula serves as a rough estimation.
- Valid for IntegrateWhileRead-Mode only.
- ROI minimum width and height are 8 pixels.
- Exposure time may reduce the frame rate.
- Computational limitations of the host and image capture software may prevent the camera from achieving maximum frame rates.

Formula 22: Maximum frame rate possible with Goldeye CL-130 TEC1

ROI frame rates with different setups

Examples for maximum frame rates possible with Goldeye CL-130 TEC1, using a number of common resolutions, are listed in the following tables.

Resolution		Mono8 (2 Taps)			Mono8 (1 Tap)		
Width	Height	25 MHz	55 MHz	85 MHz	25 MHz	55 MHz	85 MHz
1280	1024	34	75	94	18	39	61
1280	720	48	106	131	25	56	87
1024	768	55	122	124	29	65	100
800	600	88	156	156	47	105	156
640	480	132	193	193	73	160	193
320	240	361	361	361	265	361	361
160	120	638	638	638	638	638	638
1280	512	67	149	181	35	78	122
1280	8	1763	2262	2262	1293	2262	2262
8	1024	94	94	94	94	94z	94
8	8	2262	2262	2262	2262	2262	2262

Table 153: Goldeye CL-130 TEC1 ROI frame rates by clock frequency and number of taps for Mono8

Resolution		Mono12 (2 Taps)			Mono12 (1 Tap)		
Width	Height	25 MHz	55 MHz	85 MHz	25 MHz	55 MHz	85 MHz
1280	1024	34	71	71	18	39	61
1280	720	48	100	100	25	56	87
1024	768	55	94	94	29	65	94
800	600	88	118	118	47	105	118
640	480	132	146	146	73	146	146
320	240	273	273	273	265	273	273
160	120	484	484	484	484	484	484
1280	512	67	137	122	35	78	122
1280	8	1718	1718	1718	1293	1718	1718
8	1024	71	71	71	71	71	71
8	8	1718	1718	1718	1718	1718	1718

Table 154: Goldeye CL-130 TEC1 ROI frame rates by clock frequency and number of taps for Mono12

Technical drawings (GigE models)

Model overview

You can find drawings for the corresponding models on pages:

Goldeye model	Fixed mount	Mount adapters		
	C-Mount	C-Mount	F-Mount	M42-Mount
Goldeye G-008 TEC1	Not applicable	184	185	186
Goldeye G-008 Cool TEC1	Not applicable	190	191	192
Goldeye G-030 TEC1	182	Not applicable		
Goldeye G-032 TEC1	Not applicable	184	185	186
Goldeye G-032 Cool TEC2	Not applicable	190	191	192
Goldeye G-033 TEC1	Not applicable	184	185	186
Goldeye G-033 TECless	Not applicable	184	185	186
Goldeye G-034 TEC1	Not applicable	187	188	189
Goldeye G-034 1.9/2.2 XSWIR TEC2	183	Not applicable		
Goldeye G-130 TEC1	182	Not applicable		

Table 155: Technical drawings by Goldeye G model

Goldeye G TEC1 with C-Mount adapter

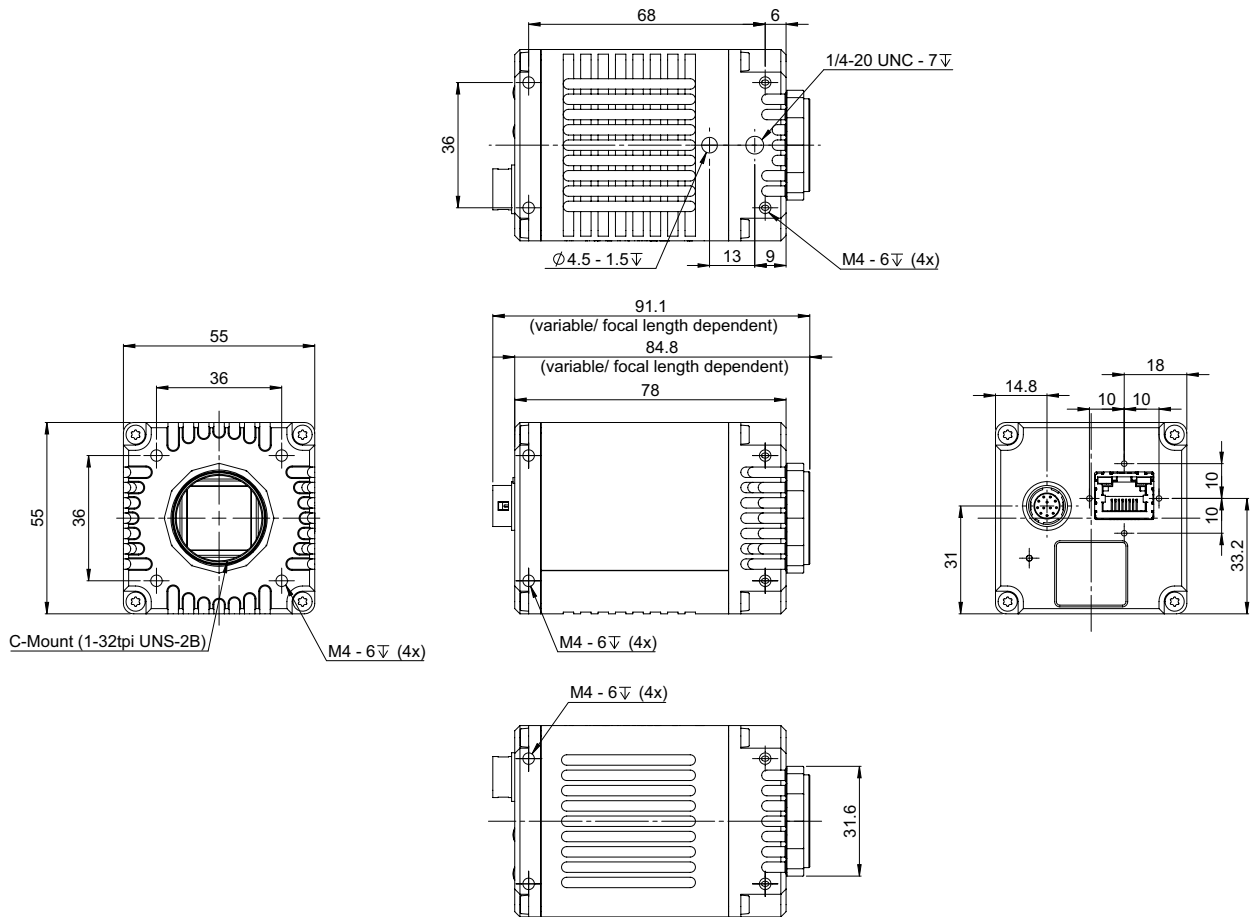


Figure 39: Goldeye G TEC1 dimensions with C-Mount adapter



Availability

Goldeye G-030 TEC1 and G-130 TEC1 only.

Goldeye G XSWIR TEC2 with C-Mount adapter

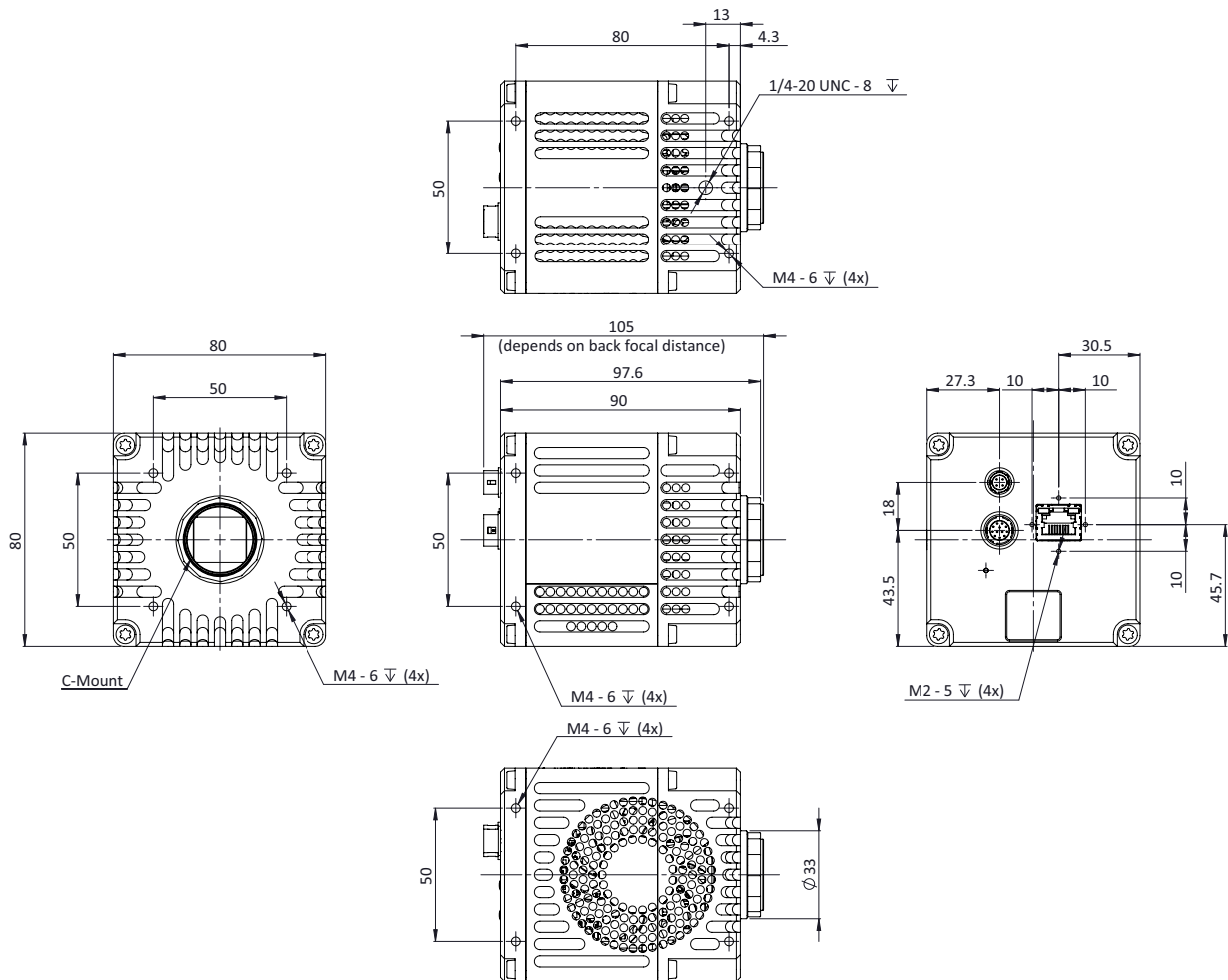


Figure 40: Goldeye G XSWIR TEC2 dimensions with C-Mount adapter



Availability

Goldeye G-034 XSWIR 1.9 TEC2 and Goldeye G-034 XSWIR 2.2 TEC2 only.

Goldeye G with C-Mount adapter

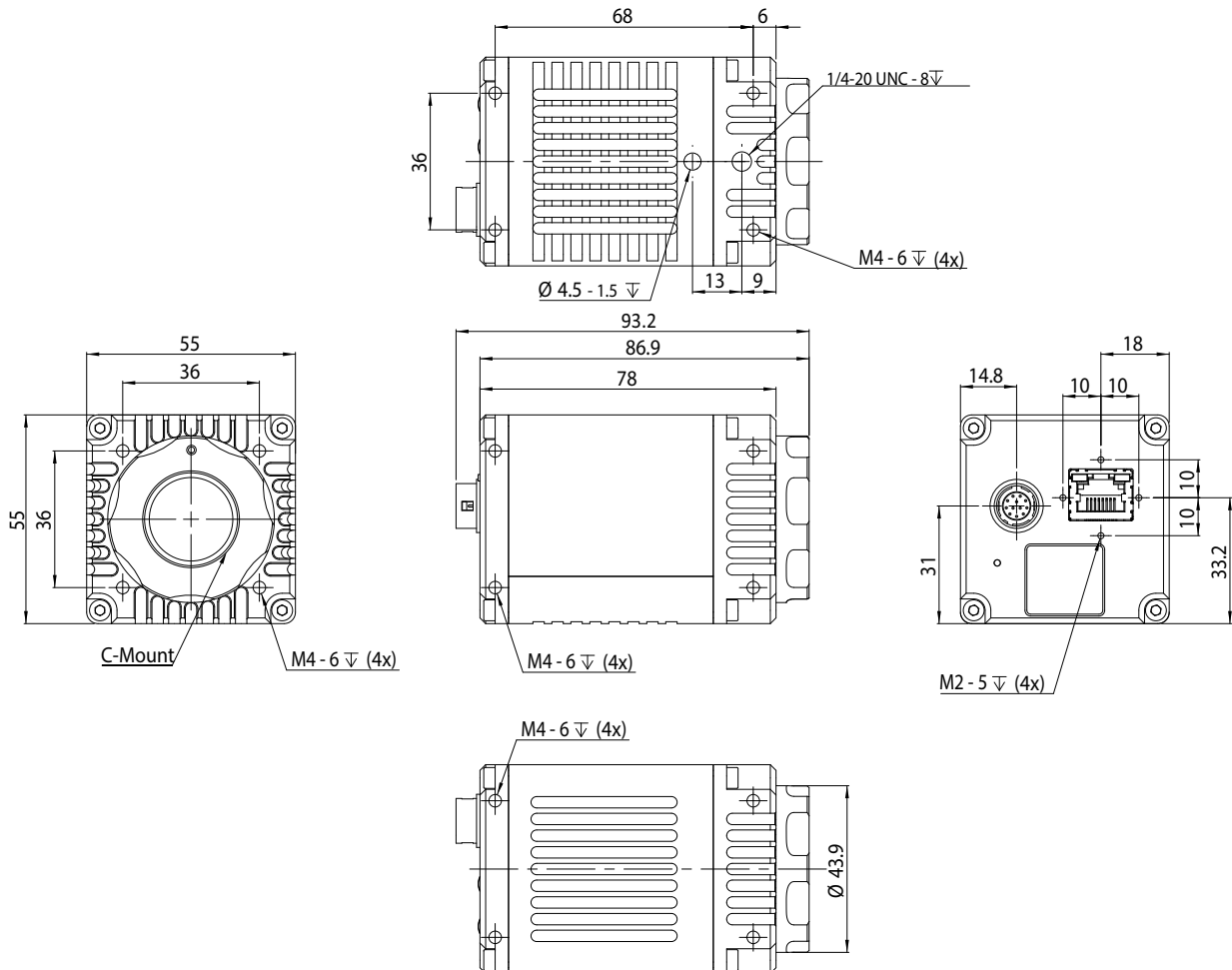


Figure 41: Goldeye G dimensions with C-Mount lens adapter



Availability

All GigE models, except for Goldeye G-030 TEC1, G-130 TEC1, Goldeye G-034 XSWIR 1.9 TEC2, and Goldeye G-034 XSWIR 2.2 TEC2.

Goldeye G with F-Mount adapter

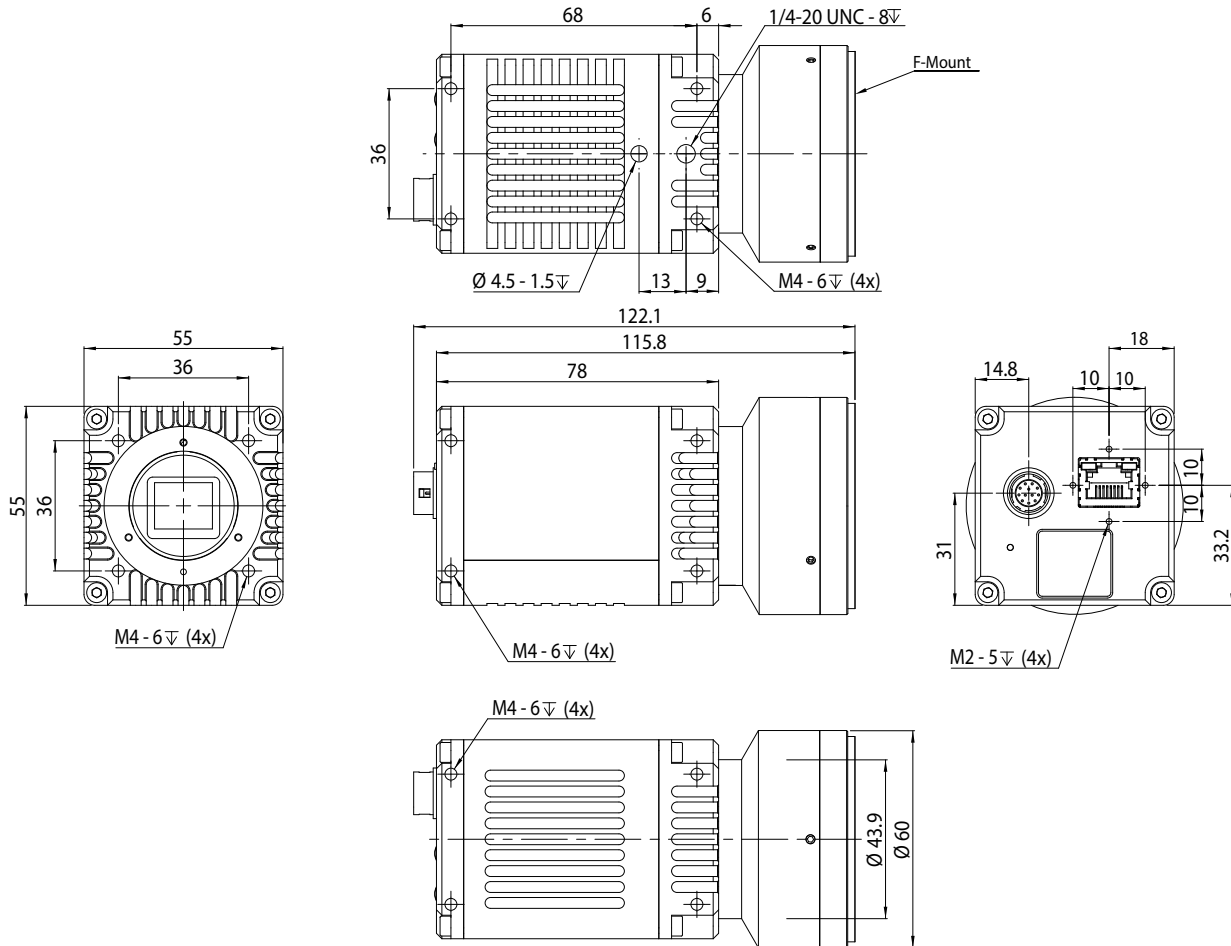


Figure 42: Goldeye G dimensions with F-Mount lens adapter



Availability

All GigE models, except for Goldeye G-030 TEC1, G-130 TEC1, Goldeye G-034 XSWIR 1.9 TEC2, and Goldeye G-034 XSWIR 2.2 TEC2.

Goldeye G with M42-Mount adapter

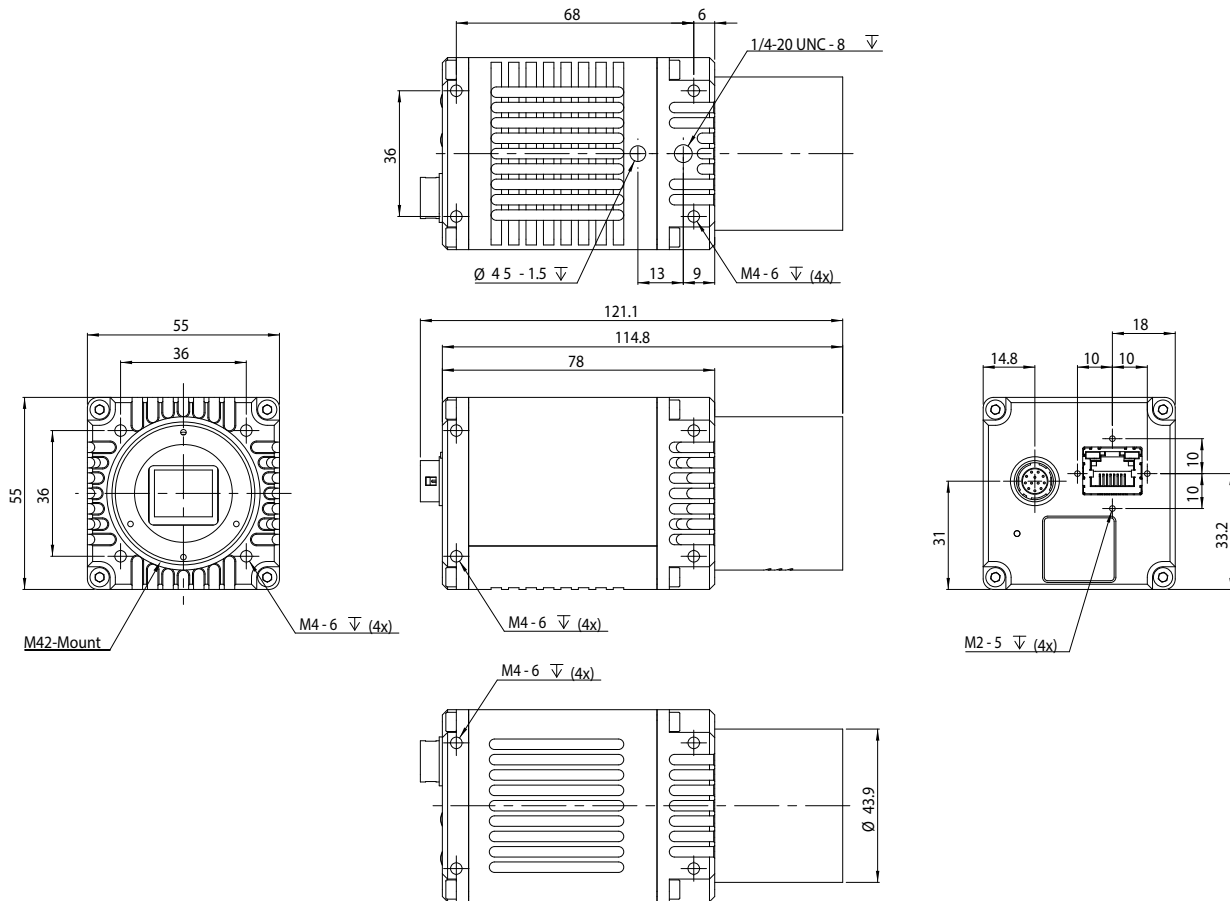


Figure 43: Goldeye G dimensions with M42-Mount lens adapter



Availability

All GigE models, except for Goldeye G-030 TEC1, G-130 TEC1, Goldeye G-034 XSWIR 1.9 TEC2, and Goldeye G-034 XSWIR 2.2 TEC2.

Goldeye G-034 TEC1 with C-Mount adapter

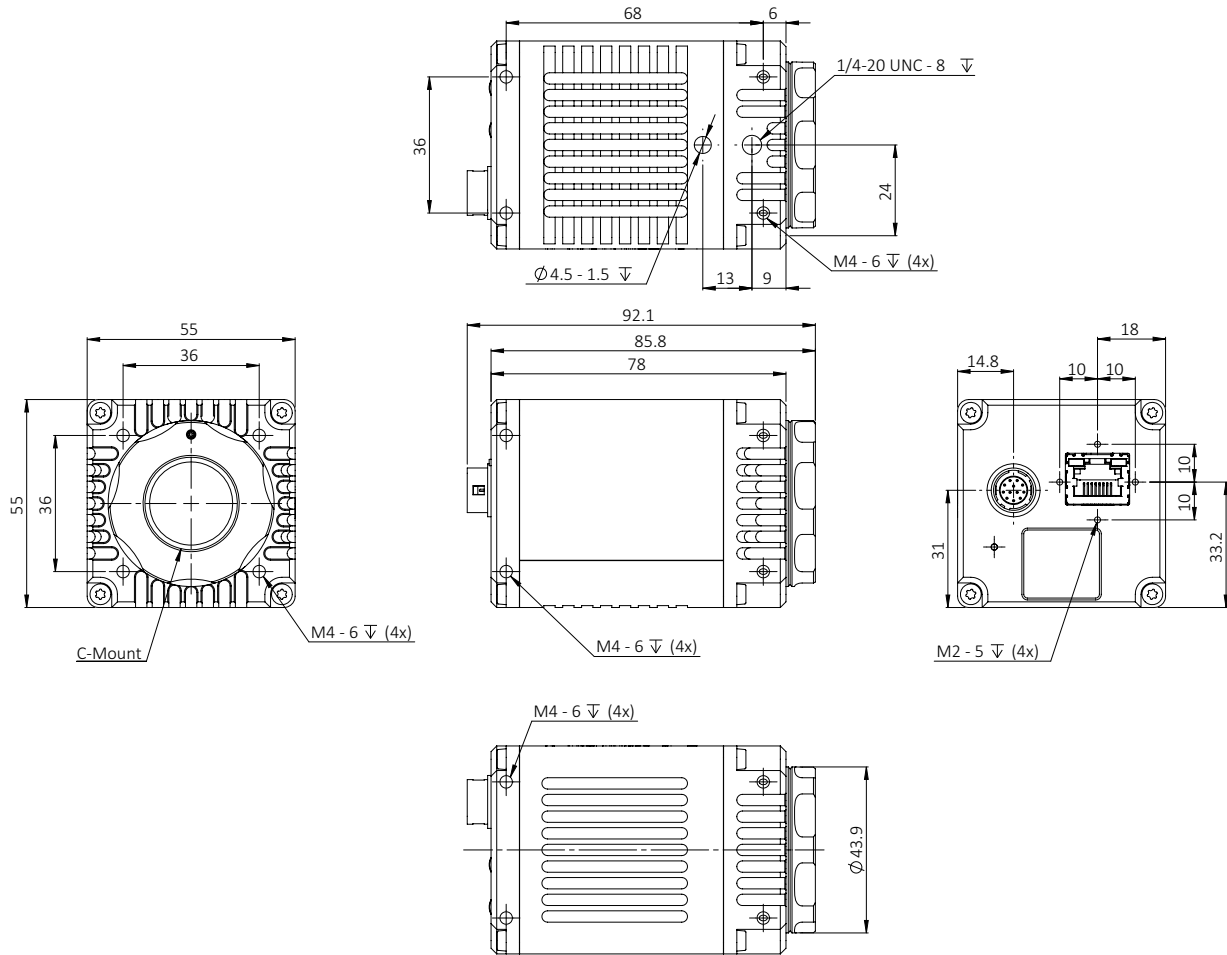


Figure 44: Goldeye G-034 TEC1 dimensions with C-Mount lens adapter

Goldeye G-034 TEC1 with F-Mount adapter

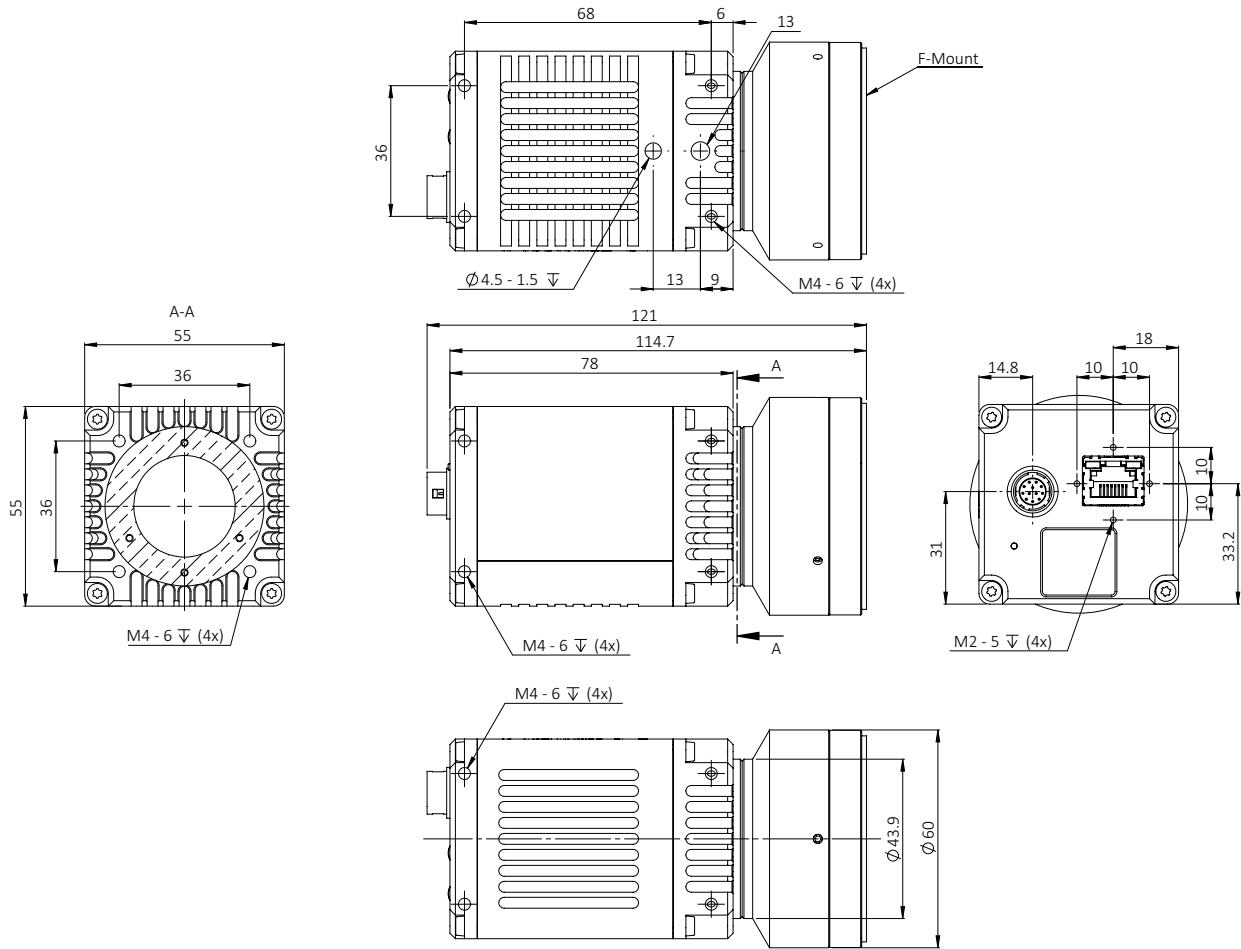


Figure 45: Goldeye G-034 TEC1 dimensions with F-Mount lens adapter

Goldeye G-034 TEC1 with M42-Mount adapter

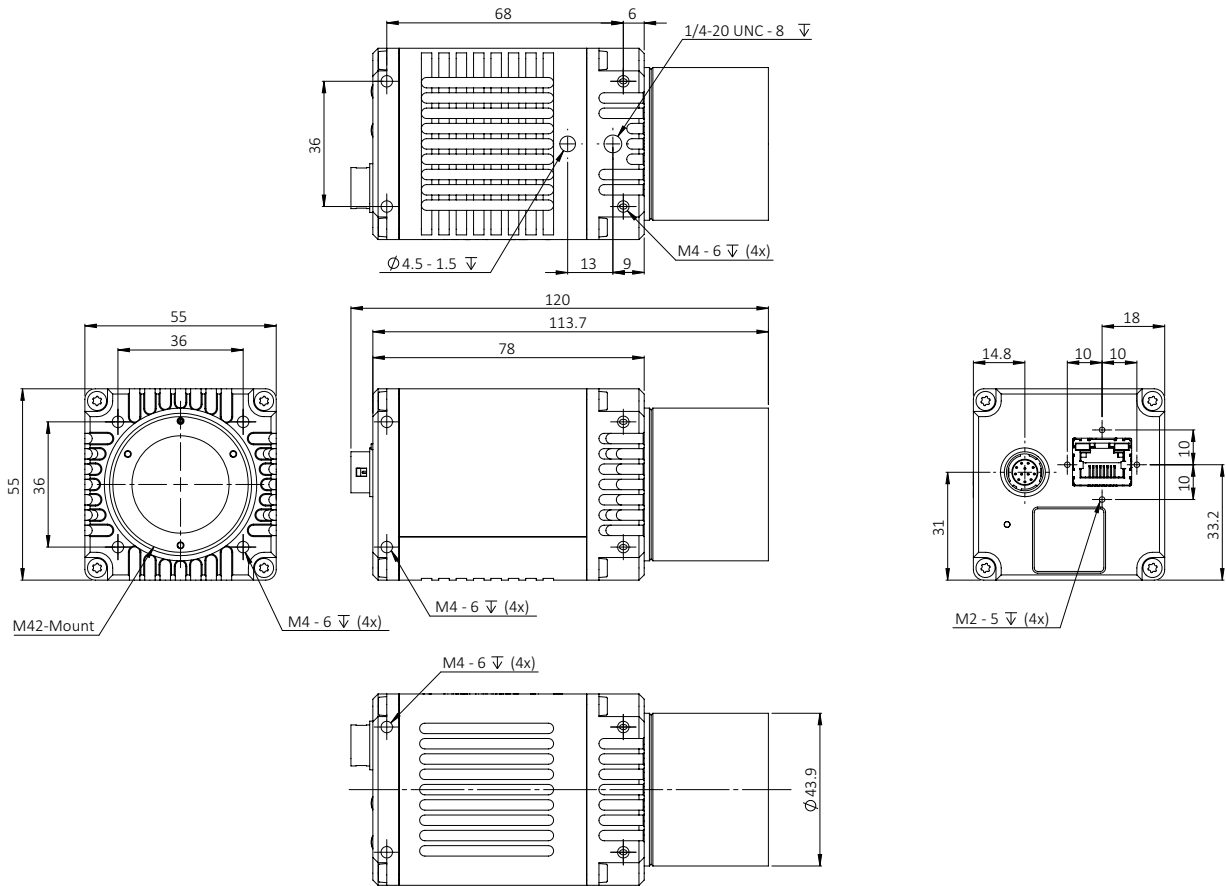


Figure 46: Goldeye G-034 TEC1 dimensions with M42-Mount lens adapter

Goldeye G Cool with C-Mount adapter

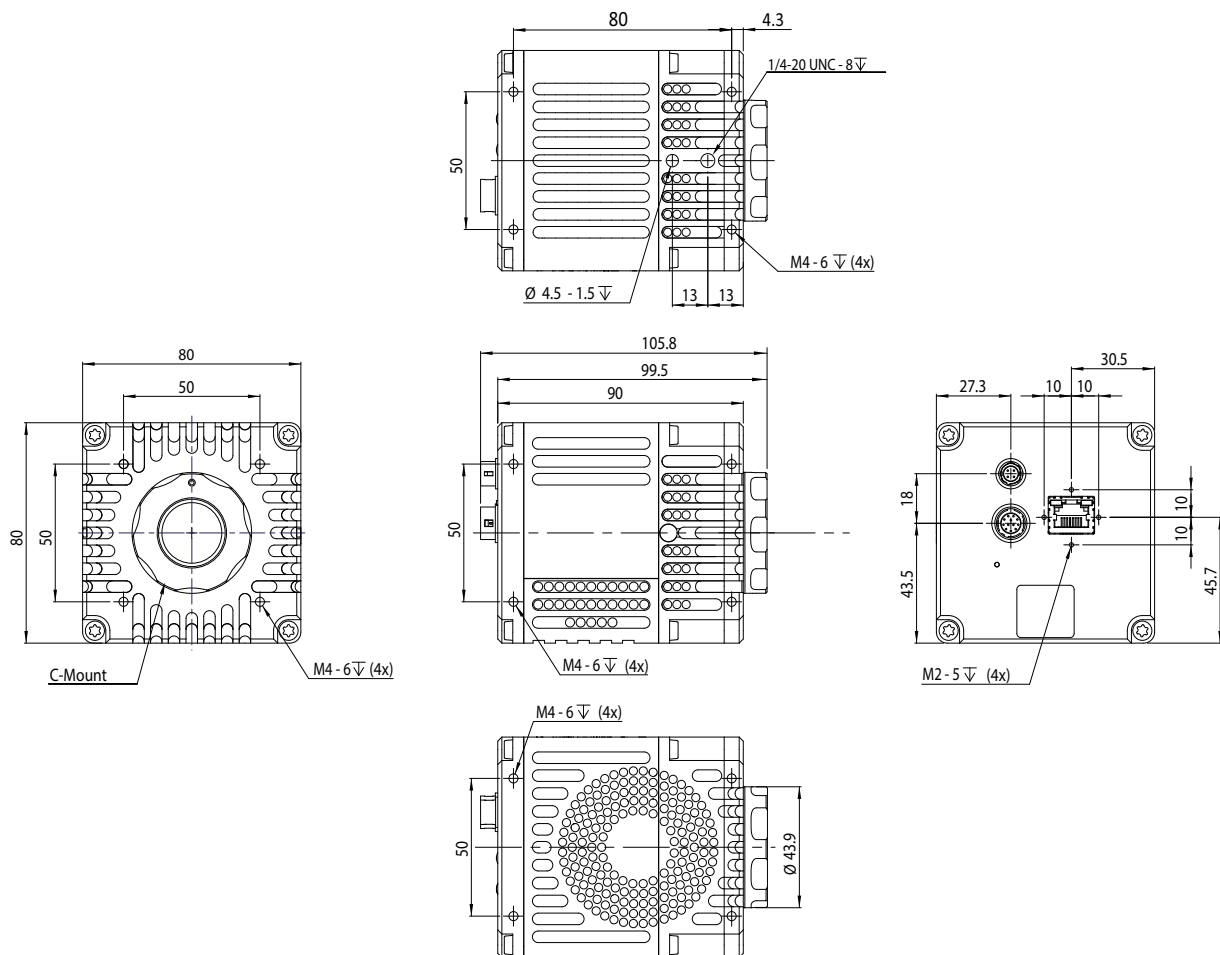


Figure 47: Goldeye G Cool model dimensions with C-Mount lens adapter

Goldeye G Cool with F-Mount adapter

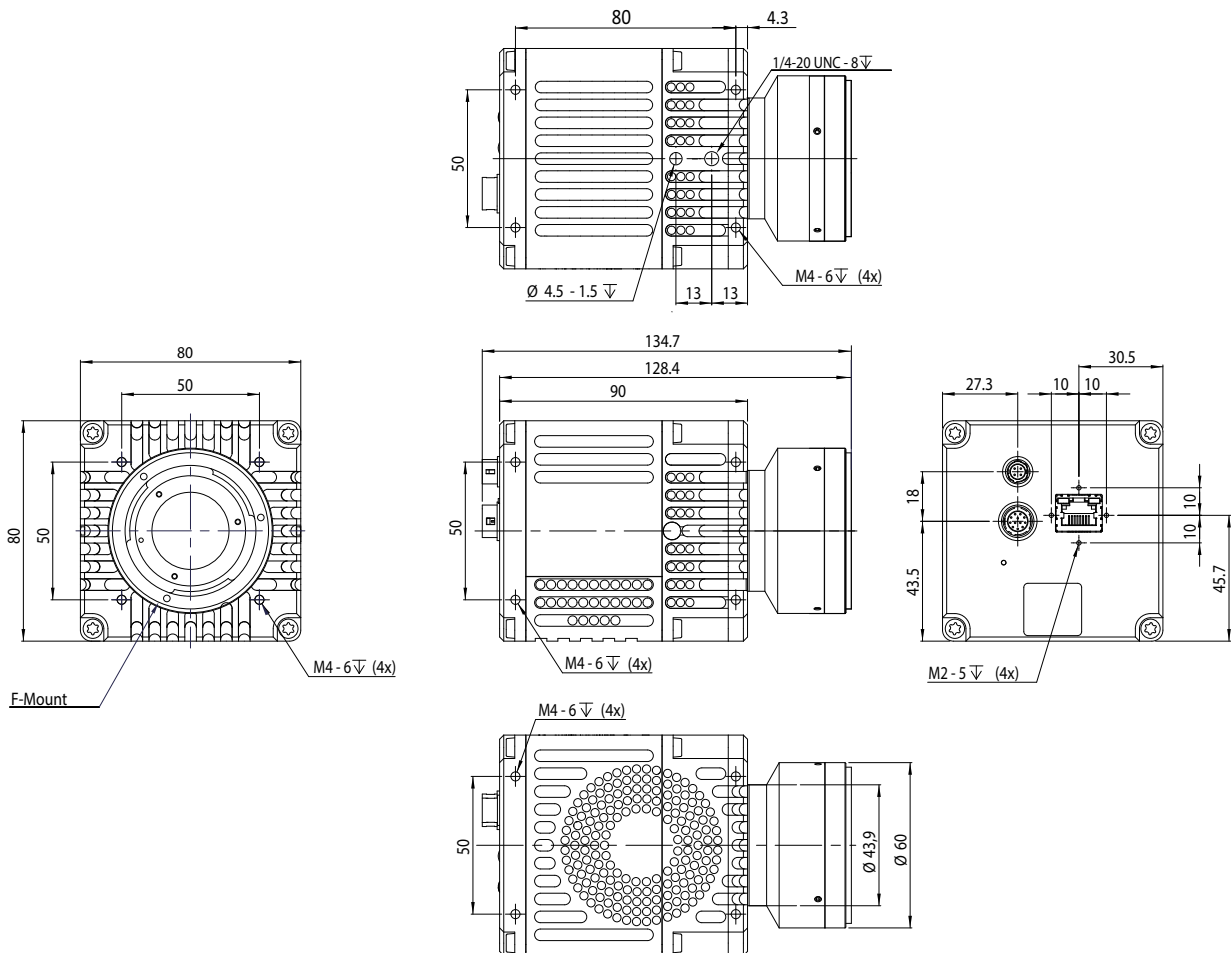


Figure 48: Goldeye G Cool model dimensions with F-Mount lens adapter

Goldeye G Cool with M42-Mount adapter

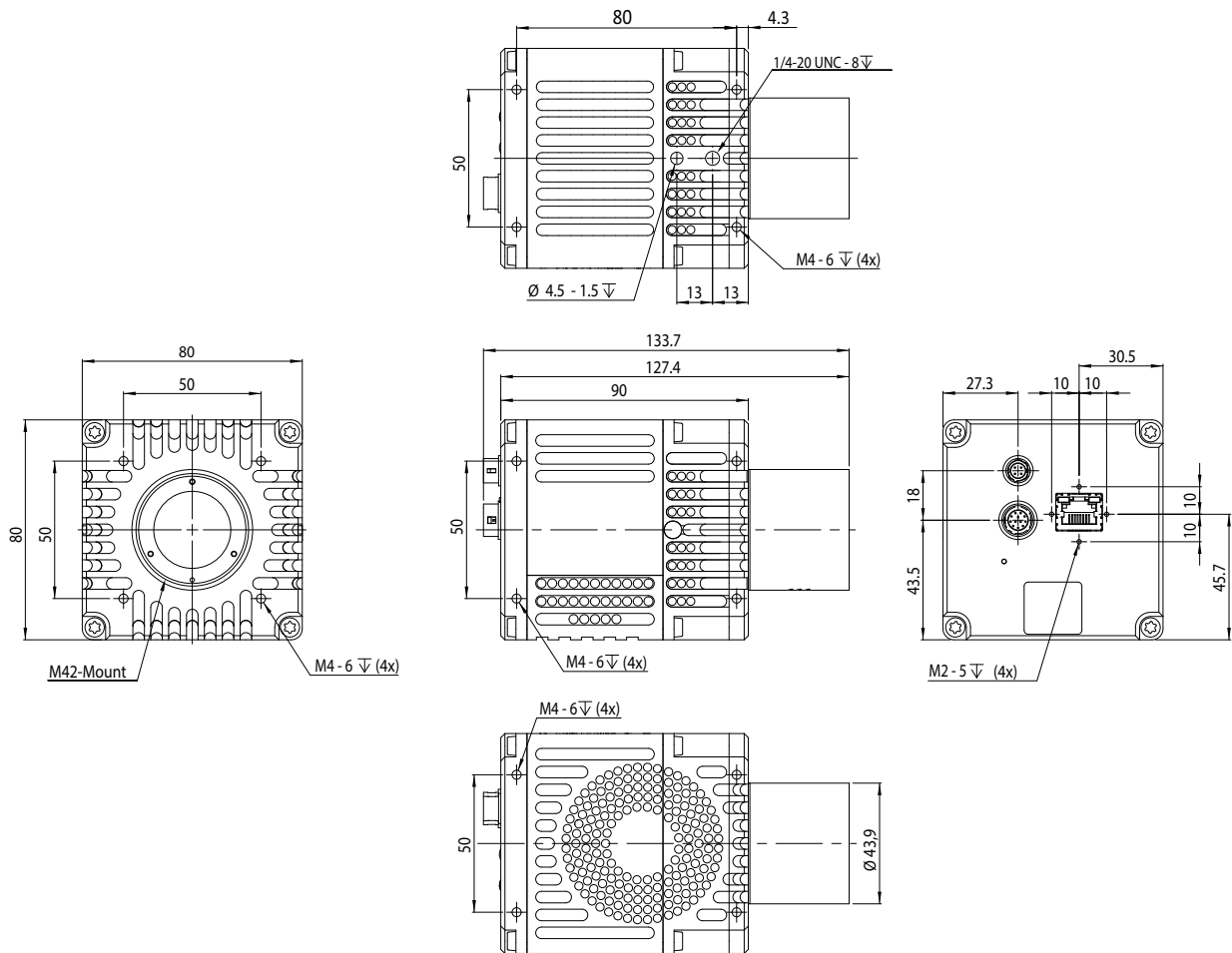


Figure 49: Goldeye G Cool model dimensions with M42-Mount lens adapter

Technical drawings (CL models)

Model overview

You can find drawings for the corresponding models on pages:

Goldeye model	Fixed mount	Mount adapters		
	C-Mount	C-Mount	F-Mount	M42-Mount
Goldeye CL-008 TEC1	Not applicable	196	197	198
Goldeye CL-008 Cool TEC1	Not applicable	202	On request	
Goldeye CL-030 TEC1	194	Not applicable		
Goldeye CL-032 TEC1	Not applicable	196	197	198
Goldeye CL-032 Cool TEC2	Not applicable	202	On request	
Goldeye CL-033 TEC1	Not applicable	196	197	198
Goldeye CL-033 TECless	Not applicable	196	197	198
Goldeye CL-034 TEC1	Not applicable	199	200	201
Goldeye CL-034 1.9/2.2 XSWIR TEC2	195	Not applicable		
Goldeye CL-030 TEC1	194	Not applicable		

Table 156: Technical drawings by Goldeye CL model

Goldeye CL TEC1 with C-Mount adapter

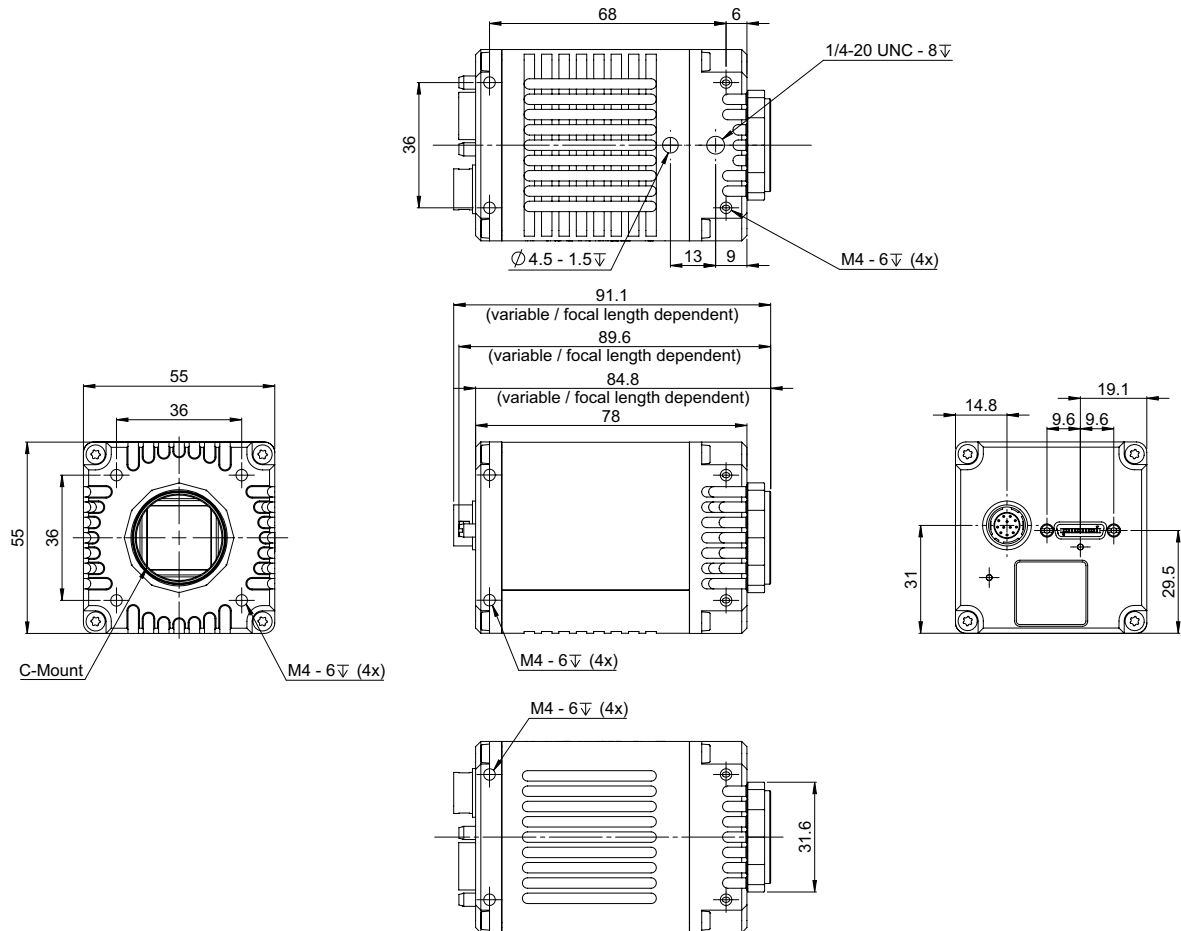


Figure 50: Goldeye CL TEC1 dimensions with C-Mount adapter



Availability

Goldeye CL-030 TEC1 and CL-130 TEC1 only.

Goldeye CL XSWIR TEC2 with C-Mount adapter

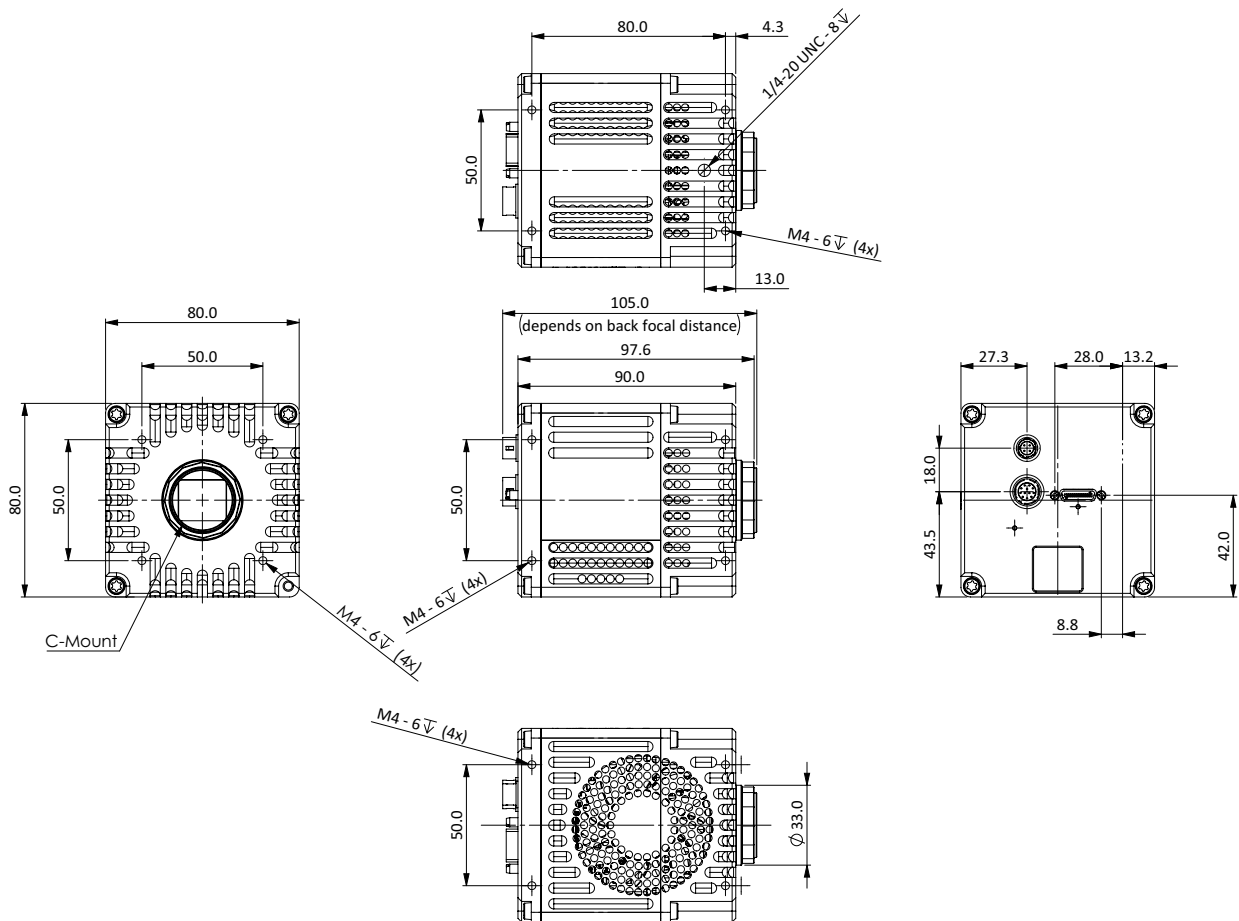


Figure 51: Goldeye CL XSWIR TEC2 dimensions with C-Mount adapter



Availability

Goldeye CL-034 XSWIR 1.9 TEC2 and Goldeye CL-034 XSWIR 2.2 TEC2 only.

Goldeye CL with C-Mount adapter

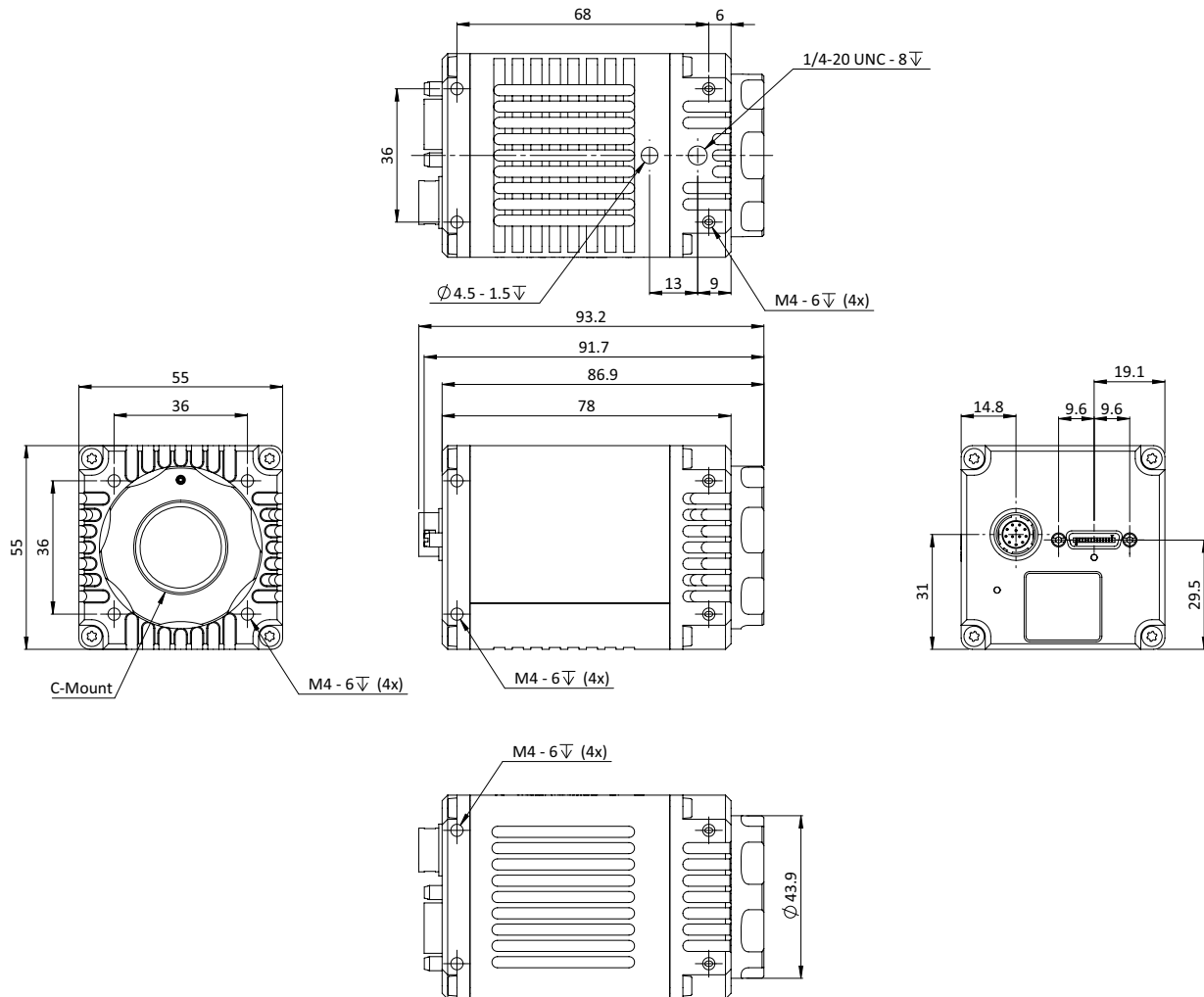


Figure 52: Goldeye CL dimensions with C-Mount lens adapter



Availability

All GigE models, except for Goldeye CL-030 TEC1, CL-130 TEC1, Goldeye CL-034 XSWIR 1.9 TEC2, and Goldeye CL-034 XSWIR 2.2 TEC2.

Goldeye CL with F-Mount adapter

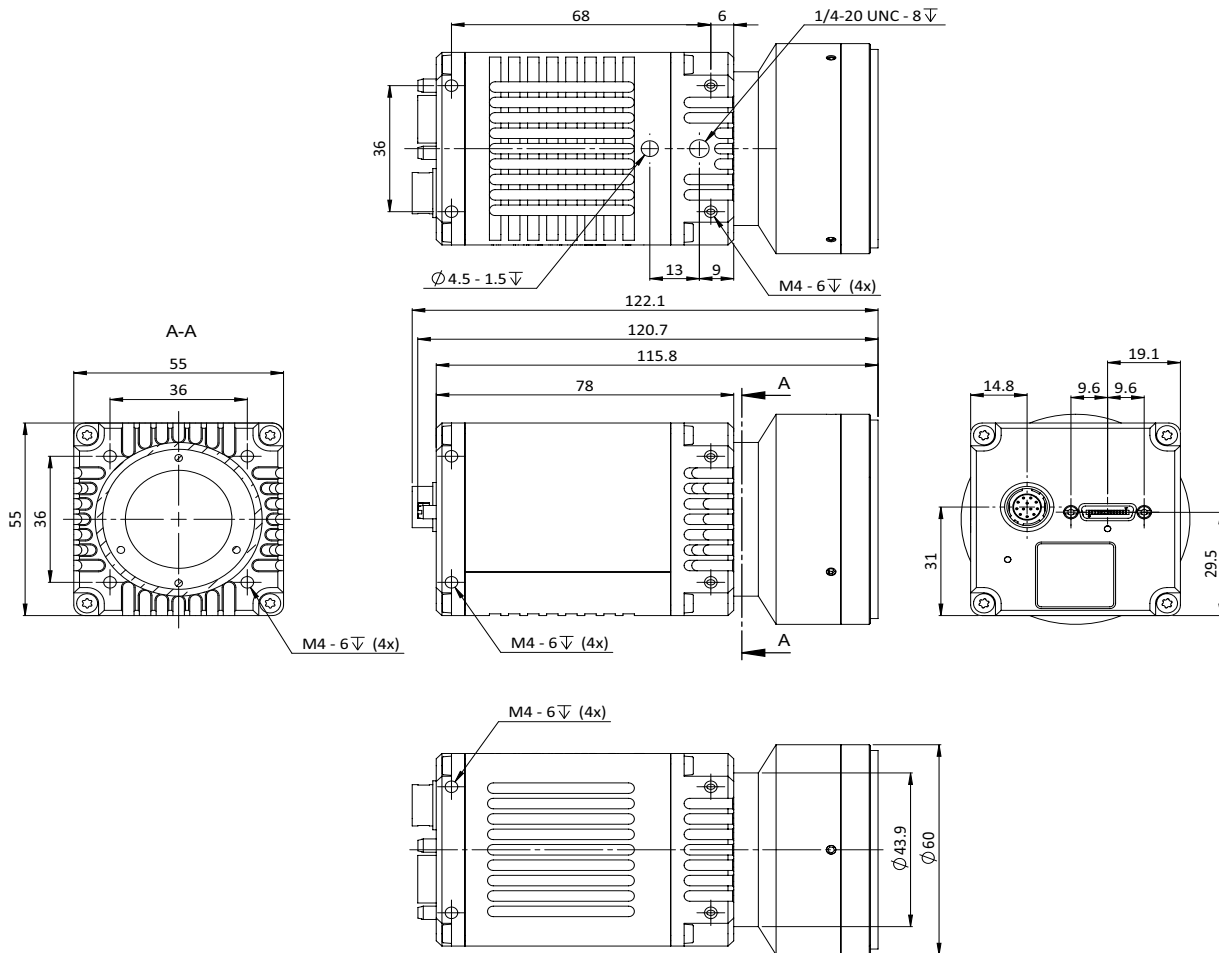


Figure 53: Goldeye CL dimensions with F-Mount lens adapter



Availability

All GigE models, except for Goldeye CL-030 TEC1, CL-130 TEC1, Goldeye CL-034 XSWIR 1.9 TEC2, and Goldeye CL-034 XSWIR 2.2 TEC2.

Goldeye CL with M42-Mount adapter

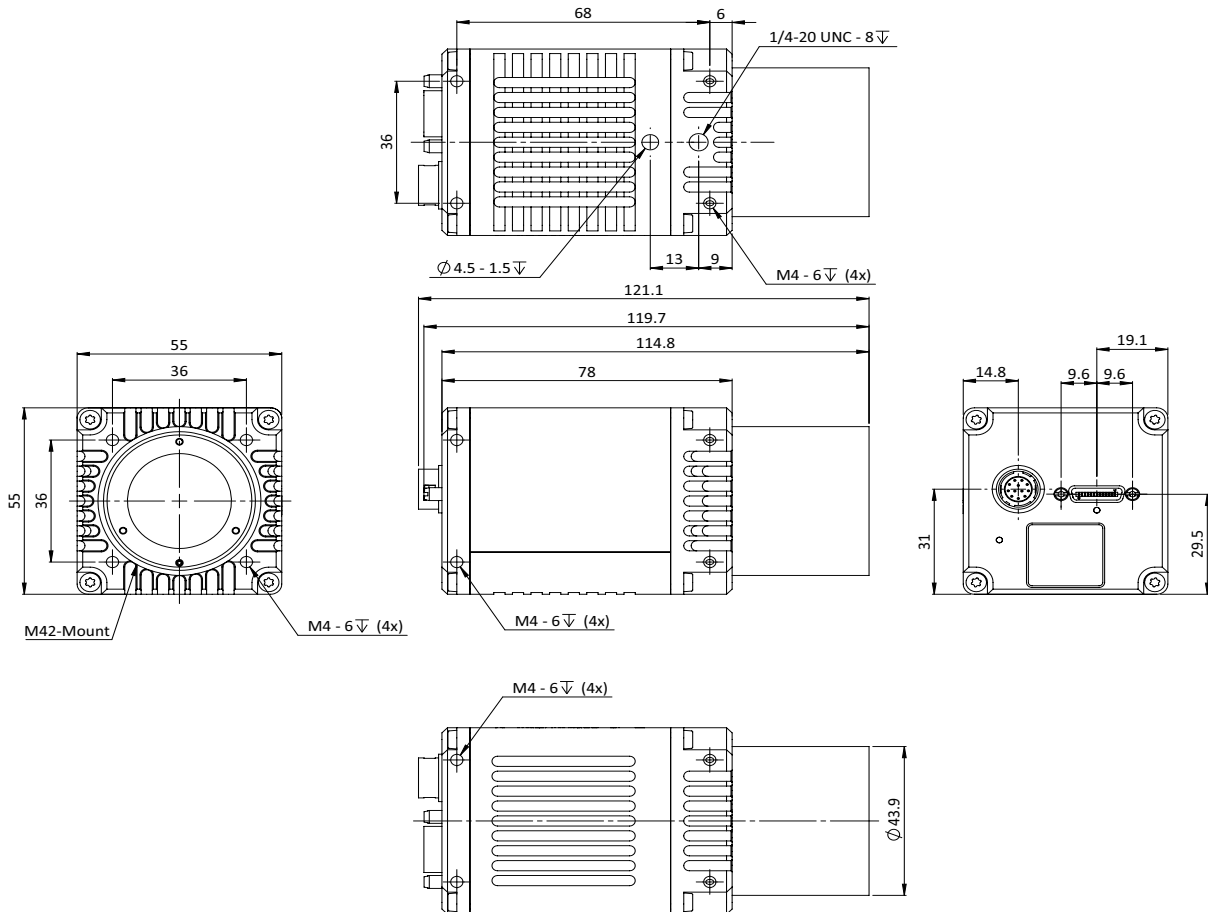


Figure 54: Goldeye CL dimensions with M42-Mount lens adapter



Availability

All GigE models, except for Goldeye CL-030 TEC1, CL-130 TEC1, Goldeye CL-034 XSWIR 1.9 TEC2, and Goldeye CL-034 XSWIR 2.2 TEC2.

Goldeye CL-034 TEC1 with C-Mount adapter

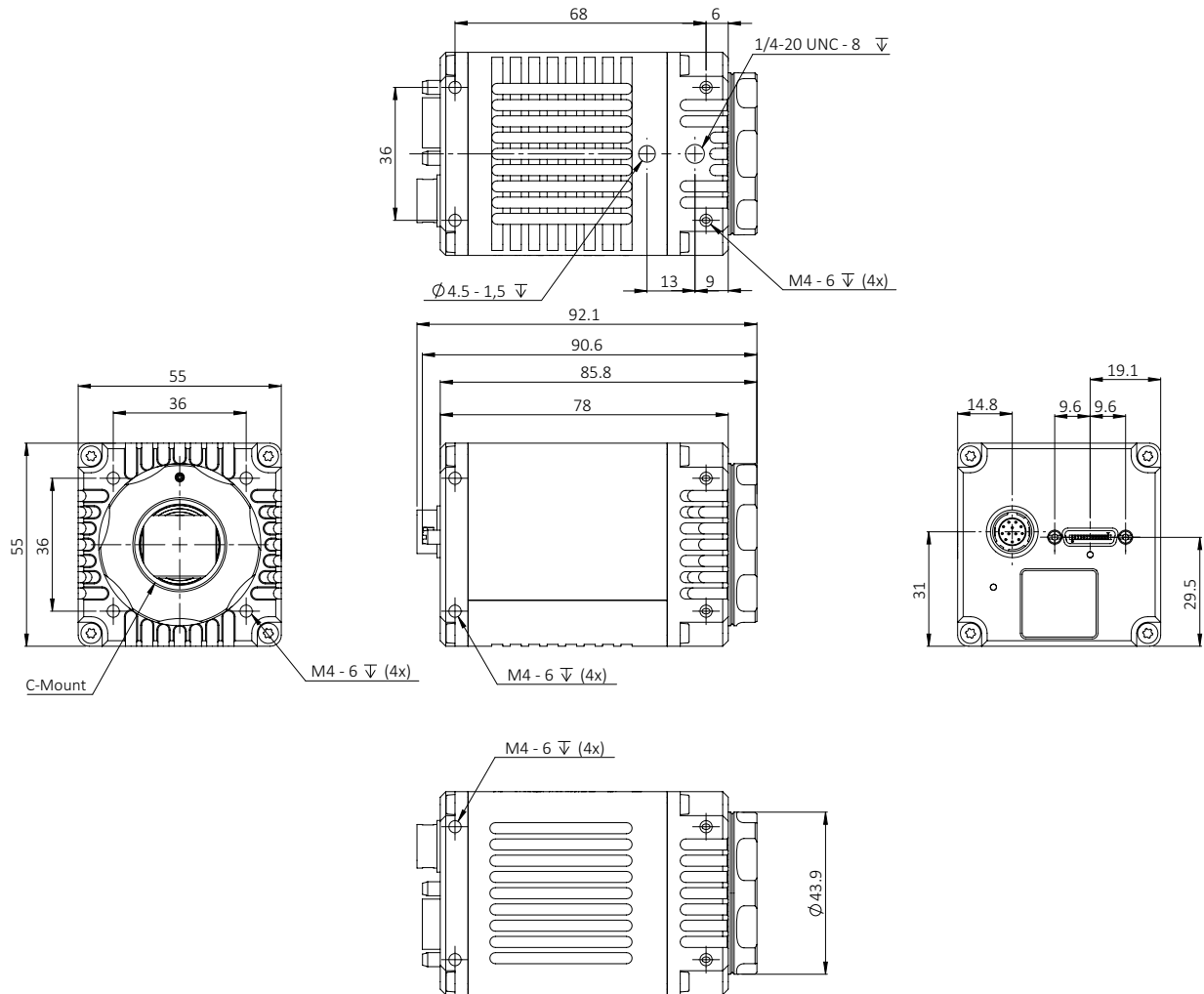


Figure 55: Goldeye CL-034 TEC1 dimensions with C-Mount lens adapter

Goldeye CL-034 TEC1 with F-Mount adapter

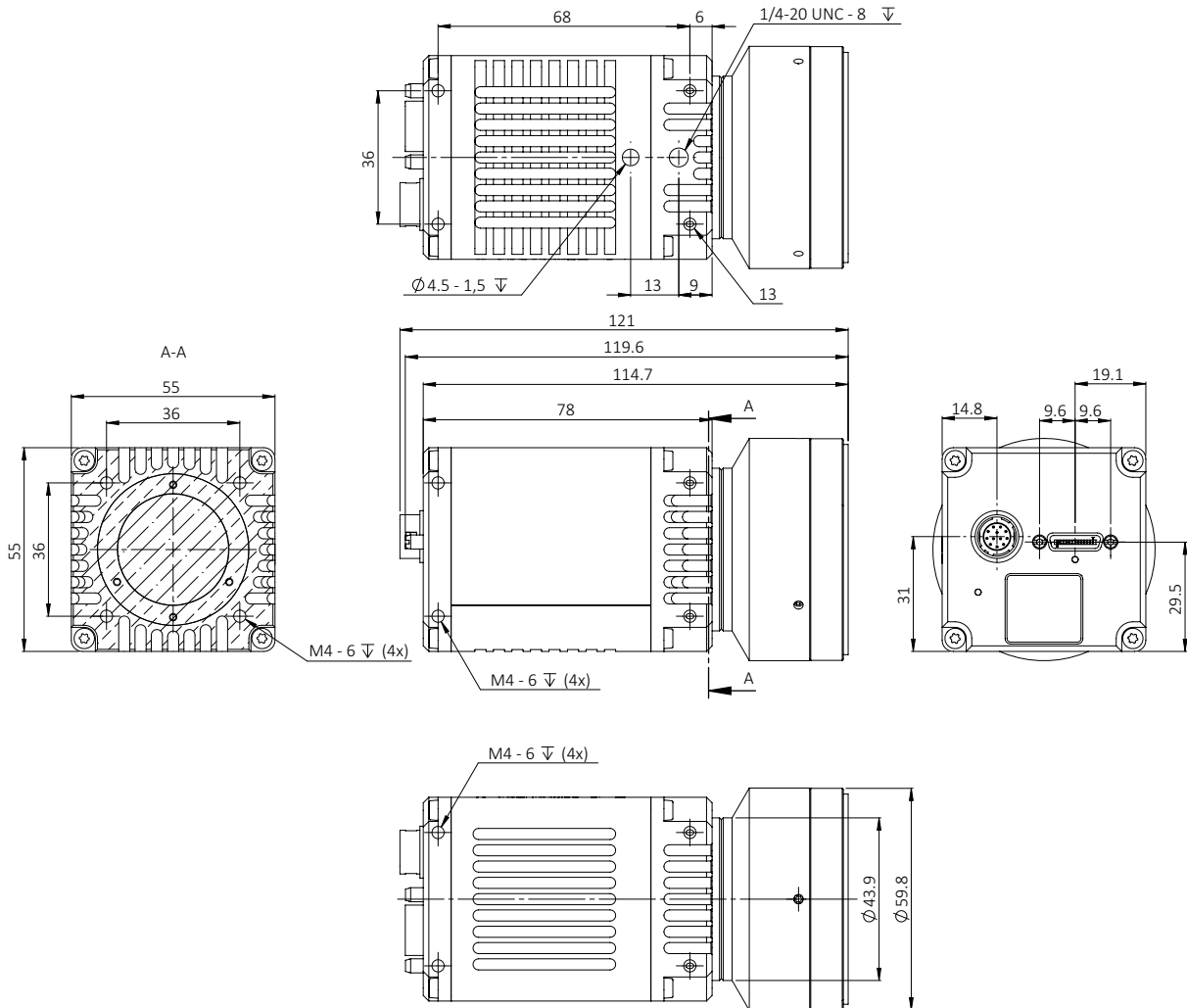


Figure 56: Goldeye CL-034 TEC1 dimensions with F-Mount lens adapter

Goldeye CL-034 TEC1 with M42-Mount adapter

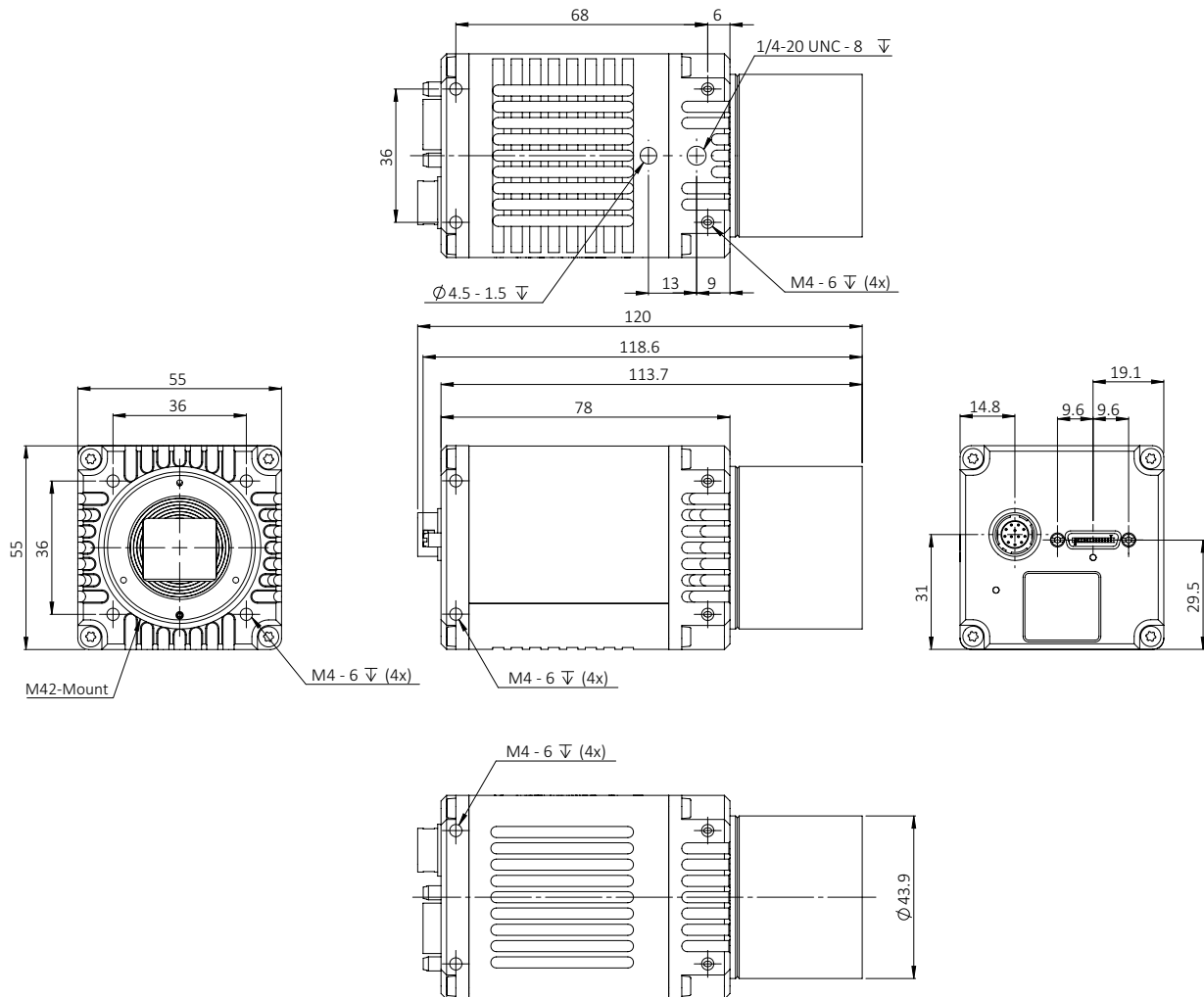


Figure 57: Goldeye CL-034 TEC1 dimensions with M42-Mount lens adapter

Goldeye CL Cool with C-Mount adapter

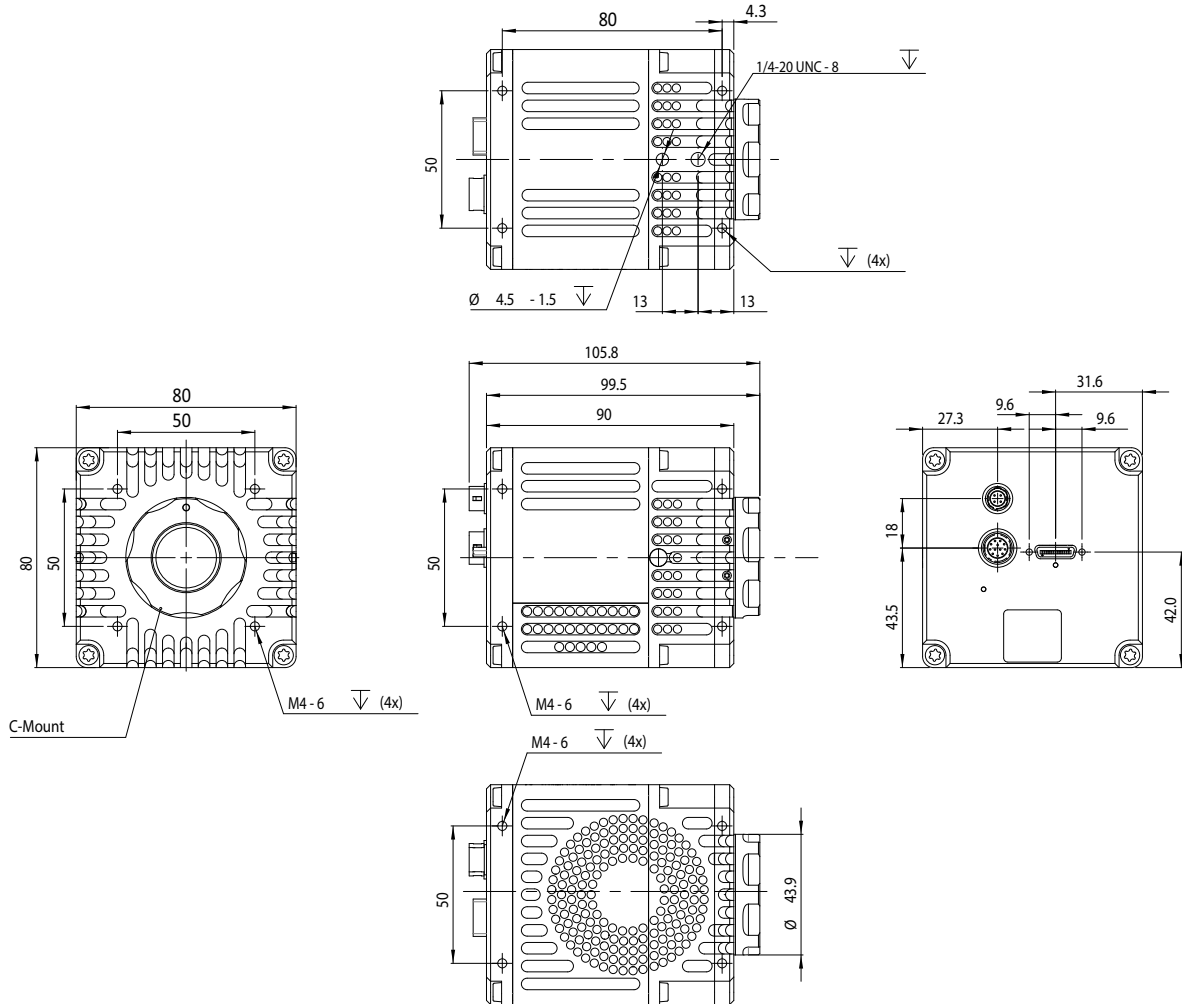


Figure 58: Goldeye CL Cool model dimensions with C-Mount lens adapter

Sensor position accuracy

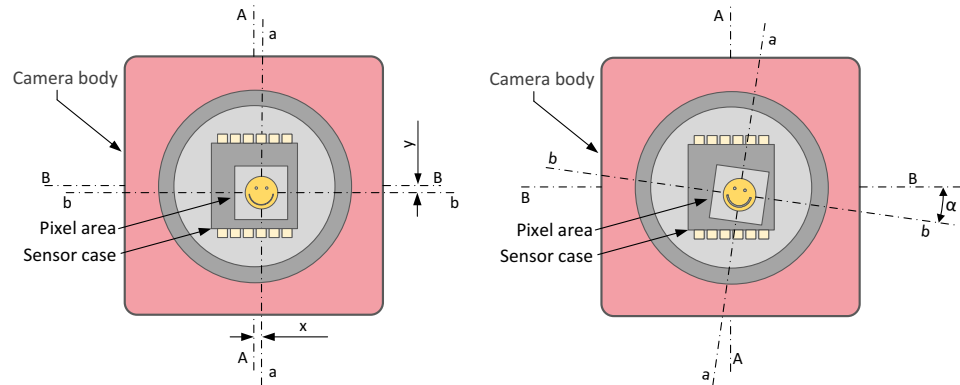


Figure 59: Sensor position accuracy

Method of positioning

Optical alignment of the photo sensitive sensor area into the camera front module (lens mount front flange).

Reference points

- Sensor: center of the pixel area (photo sensitive cells)
= intersection of the lines a and b.
- Camera: center of the camera front flange (outer housing edges)
= intersection of lines A and B.

Accuracy

Observe the following accuracy requirements for all positioning tasks.

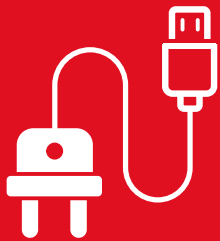
Criteria	Subject	Properties
Accuracy	x-axis y-axis	$\pm 150 \mu\text{m}$ (sensor shift)
	z-axis	+0 μm to -200 μm (optical back focal length)
	α	± 0.5 degrees (sensor rotation as the deviation from the parallel to the camera bottom)

Table 157: Sensor position accuracy criteria

X/Y - tolerances

x/y- tolerances between the C-Mount hole and the pixel area may be higher.

Accessories



This chapter includes:

Electrical connections	205
Power supplies	205
Ethernet adapters	207
Camera Link cables.....	207
Hirose 12-pin I/O connectors and cables	208
Lens mount adapters	209
Lens mount adapters	209
Optical filters and accessories	210
Heat sink set.....	212

Electrical connections

In this section you find a selection of essential accessories to get your Goldeye camera up and running quickly.

These accessories are also listed in the appropriate places throughout this manual.

Allied Vision provides accessories to run and connect the Goldeye. To obtain an overview of all accessories available, go to the Allied Vision Accessories webpage.

Power supplies

Goldeye G/CL models

Use only with the following Goldeye models:

- G/CL-008 TEC1
- G/CL-030 TEC1
- G/CL-032 TEC1
- G/CL-033 TEC1 and G/CL-033 TECless
- G/CL-034 TEC1
- G/CL-130 TEC1

Product code	Description
13869	Power supply 12V DC 24W 12-Pin Hirose Desktop Power Supply 100-240V AC-> 12V 2A DC Hirose 12p without AC power cord

Table 158: Power supply for Goldeye standard models

Goldeye G/CL Cool and XSWIR models

Use only with the following Goldeye Cool models:

- G/CL-008 Cool TEC1
- G/CL-032 Cool TEC2
- G/CL-034 XSWIR 1.9 TEC2
- G/CL-034 XSWIR 2.2 TEC2

Product code	Description
13867	Power supply 12V DC 24W 4-Pin Hirose Desktop Power Supply 100-240V AC-> 12V 2A DC Hirose 4-pin without AC power cord

Table 159: Power supply for Goldeye Cool models

AC supply cables for power supplies

Product code	Description
13865	AC power cable Length: 1.8 meters EU <-> C13 CEE 7/7 W90 <-> IEC320-C13 for use with IEC320-C14 socket, for power supply 13867 and 13869
13866	AC power cable Length: 1.8 meters US <-> C13 NEMA 5-15P straight <-> IEC320-C13 for use with IEC320-C14 socket, for power supply 13867 and 13869

Table 160: AC supply cables for power supplies

Hirose 4-pin power cables for Goldeye Cool and XSWIR models

Product code	Description
1068904	Power cable with Hirose 4-pin female connector to open end Length: 2.0 meters
1068905	Power cable with Hirose 4-pin female connector to open end Length: 3.0 meters
1068906	Power cable with Hirose 4-pin female connector to open end Length: 5.0 meters
1068907	Power cable with Hirose 4-pin female connector to open end Length: 10.0 meters

Table 161: Hirose 4-pin power cables for Goldeye Cool models

Ethernet adapters

Use Ethernet adapters with Goldeye G cameras.

Product code	Description
02-3003C	Standard adapter PCI-E Card, GigE, Intel CT, PCIe x1, 1 port EXPI9301CTBLK
02-3005A	Dual port adapter without PoE PCI-E Card, GigE, Intel Pro1000/PT, PCIe x4, 2 ports
12400	Dual port PoE adapter Adlink GIE72 PCIe4 GigE PoE+ Dual Port Host Controller
12401	Four port PoE adapter Adlink GIE74 PCIe8 GigE PoE+ Quad Port Host Controller

Table 162: Ethernet adapters

Camera Link cables

Use Camera Link cables with Goldeye CL cameras.

MDR-26 to SDR-26 cables

Product code	Description
9001030	Camera Link cable Length: 3.0 meters Up to 85 MHz, 8.4 mm, MDR-26 straight to SDR-26 straight
9001032	Camera Link cable Length: 5.0 meters Up to 85 MHz, 8.4 mm, MDR-26 straight to SDR-26 straight
9001036	Camera Link cable Length: 10.0 meters Up to 85 MHz, 11.0 mm, MDR-26 straight to SDR-26 straight

Table 163: Camera Link cables MDR to SDR

SDR-26 to SDR-26 cables

Product code	Description
9001040	Camera Link cable Length: 3.0 meters 85 MHz, 8.4 mm, SDR-26 straight to SDR-26 straight
9001042	Camera Link cable Length: 5.0 meters 85 MHz, 8.4 mm, SDR-26 straight to SDR-26 straight
9001046	Camera Link cable Length: 10.0 meters 85 MHz, 11.0 mm, SDR-26 straight to SDR-26 straight

Table 164: Camera Link cables SDR to SDR

Hirose 12-pin I/O connectors and cables

The connectors or cables available for Goldeye cameras are listed in [Table 165](#).

Use Hirose 12-pin connectors for both signal I/O and power supply with the following Goldeye models:

- G/CL-008 TEC1
- G/CL-030 TEC1
- G/CL-032 TEC1
- G/CL-033 TEC1, G/CL-033 TECless
- G/CL-034 TEC1
- G/CL-130 TEC1

Use Hirose 12-pin connectors for signal I/O only with the following Goldeye models:

- G/CL-008 Cool TEC1
- G/CL-032 Cool TEC2
- G/CL-034 XSWIR 1.9 TEC2
- G/CL-034 XSWIR 2.2 TEC2

Product code	Description
K7600040	Connector Hirose 12-pin female (HR10A-10P-12S) straight
K7600044	Connector Hirose 12-pin female (HR10A-10LP-12S) angled
2814	I/O cable Length: 2.0 meters Power, Trigger 12-pin Hirose female to open end

Table 165: Hirose 12-pin I/O connectors and cables (sheet 1 of 2)

Product code	Description
2815	I/O cable Length: 3.0 meters Power, Trigger 12-pin Hirose female to open end
2817	I/O cable Length: 5.0 meters Power, Trigger 12-pin Hirose female to open end
2818	I/O cable Length: 10.0 meters Power, Trigger 12-pin Hirose female to open end
1068908	Trigger cable Length: 2.0 meters BNC to Hirose In1 LVTTTL

Table 165: Hirose 12-pin I/O connectors and cables (sheet 2 of 2)

Lens mount adapters

Separate lens adapters for various mounts are available for purchase from Allied Vision. These adapters fit into the M42-Mount of the camera front flange. For readily assembled mount adapters with special-purpose optical filter see [Table 168](#).

Product code	Description
1068100	Adapter from M42 to C-Mount without optical filter Goldeye G/CL-008, G/CL-032, G/CL-033
1068101	Adapter from M42 to F-Mount without optical filter Goldeye G/CL-008, G/CL-032, G/CL-033
1068103	Adapter from M42 to M42-Mount without optical filter Goldeye G/CL-008, G/CL-032, G/CL-033
1068200	Adapter from M42 to C-Mount without optical filter Goldeye G/CL-034
1068201	Adapter from M42 to F-Mount without optical filter Goldeye G/CL-034
1068203	Adapter from M42 to M42-Mount without optical filter Goldeye G/CL-034

Table 166: Mount adapters for Goldeye Cameras

Optical filters and accessories



Avoid damage to optical filters

To avoid scratching or other damages to optical filters, always store away unused optical filters carefully.

Filter mounting sets



Availability

Filter mounting sets are available for all Goldeye G/CL models **except for** G/CL-030 TEC1 and G/CL-130 TEC1.

Each optical filter mounting set consists of one filter retaining ring, fixtures, and a fixing tool.

Product code	Description
1068800	Filter mounting set for Goldeye G/CL C-Mount adapter including filter retaining ring, fixtures, and tool
1068801	Filter mounting set for Goldeye G/CL F-Mount adapter or M42-Mount adapter, including filter retaining ring, fixtures, and tool

Table 167: Filter mounting sets for Goldeye models

Bandpass filter 1450 nm (water filter)



Availability

Readily assembled mount adapters are available for all Goldeye G/CL models, **except for** G/CL-030 TEC1 and G/CL-130 TEC1.

This bandpass filter has a CWL of 1450 nm and a tolerance of ± 7 nm.

The **readily assembled** mount adapters with bandpass filter that are listed in [Table 168](#) have a bandpass filter with a CWL of 1450 nm and FWHM bandwidth of 26.5 nm.

Product code	Description
1068140	Adapter from M42 to C-Mount with 1450 nm bandpass filter Goldeye G/CL-008, G/CL-032, G/CL-033
1068141	Adapter from M42 to F-Mount with 1450 nm bandpass filter Goldeye G/CL-008, G/CL-032, G/CL-033

Table 168: Bandpass filters 1450 nm mounting sets (sheet 1 of 2)

Product code	Description
1068143	Adapter from M42 to M42-Mount with 1450 nm bandpass filter Goldeye G/CL-008, G/CL-032, G/CL-033
1068240	Adapter from M42 to C-Mount with 1450 nm bandpass filter Goldeye G/CL-034
1068241	Adapter from M42 to F-Mount with 1450 nm bandpass filter Goldeye G/CL-034
1068243	Adapter from M42 to M42-Mount with 1450 nm bandpass filter Goldeye G/CL-034

Table 168: Bandpass filters 1450 nm mounting sets (sheet 2 of 2)

Filters for G/CL-030/130 and XSWIR models



Availability

These filters are available **only for** G/CL-030 TEC1 G/CL-130 TEC1, G/CL-034 XSWIR 1.9 TEC2, and G/CL-034 XSWIR 2.2 TEC2 with C-Mount adapter.

Product code	Description
1450	Bandpass filter BP 1450 nm Ø 25.4 mm FWHM: 35 nm tolerance: ±10
920	Longpass (visible cut-off) LP920-25.4 Ø 25.4 mm

Table 169: Filter for Goldeye G/CL-030/130 TEC1, G/CL-034 XSWIR 1.9/2.2 TEC2



Filters for G/CL-030/130 and XSWIR models with C-Mount adapter

For Bandpass filter BP 1450 and Longpass LP920, see “Spectral transmission of filters” in the Modular Concept at www.alliedvision.com/fileadmin/content/documents/products/cameras/various/modular-concept/ModularConcept_external.pdf.

For other filters, please contact your Allied Vision representative for more options: www.alliedvision.com/en/avt-locations/avt-distributors

Heat sink set

To improve the cooling capability of the temperature-stabilized and TECless Goldeye models, a heat sink set is available that can be mounted to the camera by the customer. Up to four heat sinks can be fitted to one camera.

Product code	Description
1068300	Heat sink set for Goldeye G/CL cameras, including thermal interface pad, fixtures, and mounting tool

Table 170: Heat sink set for Goldeye models

Using lens mounts and filters



This chapter includes:

Camera models and lens mounts	214
Changing the lens adapter	214
C-Mount lens adapter	215
F-Mount lens adapter	218
M42-Mount lens adapter	220
Adjusting the C-Mount.....	223
Replacing filters on G/CL-030/130 and XSWIR models with C-Mount adapter	224
Filter specifications	226

Camera models and lens mounts

Some Goldeye camera models are available with adapters for different lens mounts, other models are available with C-Mount adapter only:

Goldeye models	C-Mount	F-Mount	M42-Mount	Filter recess
Goldeye G/CL-008 TEC1 Goldeye G/CL-008 Cool TEC1 Goldeye G/CL-032 TEC1 Goldeye G/CL-032 Cool TEC2 Goldeye G/CL-033 TEC1 Goldeye G/CL-033 TEC-less Goldeye G/CL-034 TEC1	Lens adapters			Yes
Goldeye G/CL-030 TEC1 Goldeye G/CL-034 XSWIR 1.9/2.2 TEC2 Goldeye G/CL-130 TEC1	Lens adapter	Not applicable		Not applicable

Table 171: Camera models and lens mounts

This section informs about models with lens adapters.

See [Adjusting the C-Mount](#) on page 223 for **Goldeye G/CL-030 TEC1, G/CL-034 XSWIR 1.9 TEC2, G/CL-034 XSWIR 2.2 TEC2, and G/CL-130 TEC1.**

Changing the lens adapter

The lens adapter is screwed onto the M42 thread of the camera body. To exchange it with a different adapter, unscrew it and screw on the other adapter.

For consistent image quality, we recommend using only Allied Vision lens adapters.



Take special care when removing filter

- Removing the filter from the camera requires special care.
- Ask your distribution partner for assistance if you are not confident with the procedure.
- To avoid contamination, never touch optical surfaces with bare hands.



Remove mount adapters carefully

- All mount adapters of Goldeye cameras are secured with locking screws. To avoid damage to the camera, these locking screws need to be loosened before removing or changing the mount adapter.
See [Figure 60](#) for the position of the locking screws.
- To avoid damage to the thread, never use any tools to screw the mount adapter on or off.

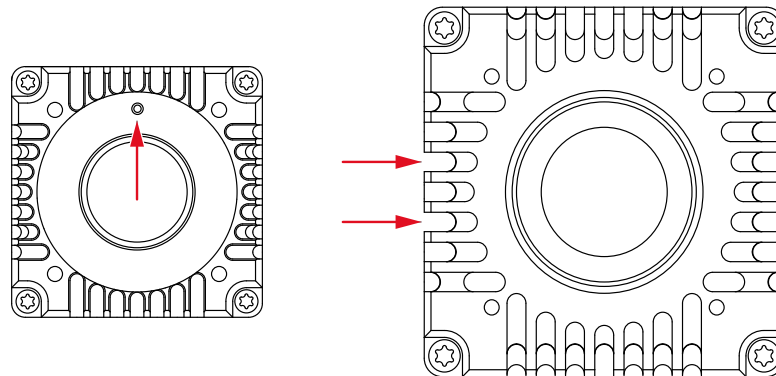


Figure 60: Position of safety screws on mount adapters: Goldeye G/CL (left) and Goldeye G/CL Cool (right)

C-Mount lens adapter

A separate lens adapter for C-Mount lenses is available for purchase from Allied Vision. This adapter fits into the M42-Mount of the camera front flange.

See [Table 173](#) for more information.

For readily assembled mount adapters with special-purpose optical filter, see [Bandpass filter 1450 nm \(water filter\)](#) on page 210.

Product code	Description
1068100	Adapter from M42 to C-Mount without optical filter Goldeye G/CL-008, G/CL-032, G/CL-033
1068200	Adapter from M42 to C-Mount without optical filter Goldeye G/CL-034
1068800	Filter mounting set for Goldeye G/CL C-Mount adapter, including filter retaining ring, fixtures, tool

Table 172: C-Mount lens adapter order codes

Specifications of the C-Mount adapter

Parameter	Dimensions
Suitable optical filter, diameter	25.0 mm to 25.5 mm
Suitable optical filter, thickness ¹	up to 2.5 mm
Maximum protrusion with filter	6.6 mm
¹ Goldeye G/CL-034 support filters up to 2.0 mm.	

Table 173: Specifications of the C-Mount adapter

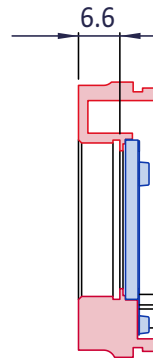


Figure 61: Cross section of the C-Mount adapter (red) with filter (blue) and max. protrusion

Changing the filter in the C-Mount adapter

If the C-Mount adapter has an optical filter fitted, it is possible to change the filter. (See [Bandpass filter 1450 nm \(water filter\)](#) on page 210 for more details on mount adapters with pre-fitted filters.)

To change the filter of the C-Mount lens adapter, follow the instructions outlined in [Figure 62](#).

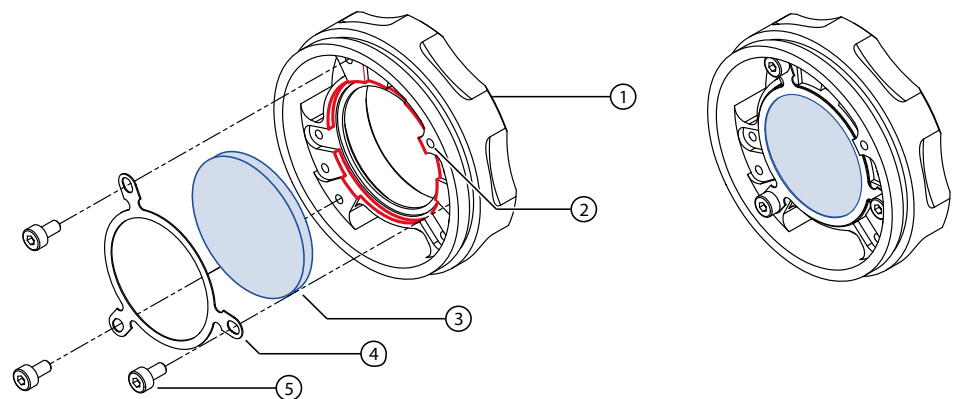


Figure 62: Changing the filter in the C-Mount adapter

Do not remove the adapter if a lens is mounted to the adapter. Ensure there is no lens mounted to the adapter.

Removing the adapter from the camera

Unscrew the adapter (1) from the camera:

- Loosen the locking screw (2, shown from back of adapter) on the outside of the mount adapter. See [Figure 60 on page 215](#) for the position of the locking screws.
- Use a 1.3 mm hex key for Goldeye models with Cool housing:
 - G/CL-008 Cool
 - G/CL-032 Cool.
- Use a 0.9 mm hex key for all other models.
- To avoid penetration of foreign substances into the camera, ensure that the front flange is covered with a dust cap. See [Avoiding the necessity of camera cleaning on page 292](#).

Removing the filter from the mount adapter

On the back side of the mount, loosen the three cylinder bolts (5) of the filter fixing ring (4), using a Torx T6 tool.

1. Remove the fixing ring.
2. Remove the existing filter (3) from the adapter.

Installing a filter into the mount adapter

1. Insert the new filter into the matching recess.
 - See [Figure 62 on page 216](#) (blue = filter, red = filter recess).
 - See [Table 173 on page 215](#) for dimensions of suitable filters.
2. Reinsert the fixing ring into the adapter.
3. Fix the ring with the three cylinder bolts. Note there are three sets of threads to suit filters of different thicknesses.
 - Tighten the bolts with a maximum torque of 0.25 Nm.

Attaching the mount to Goldeye standard models

1. Screw the adapter into the camera.
2. Tighten the locking screw with a maximum torque of 0.1 Nm.

Attaching the mount to Goldeye Cool models

When used with Goldeye Cool models, the mount adapter is secured by two locking screws on the side of the camera. The thread in the mount adapter needs to be closed with a thread plug to avoid light incidence.

To apply the thread plug to a C-Mount adapter, follow the steps outlined in [Figure 63](#).

1. Push the thread plug through the locking thread, from front to back, until the end lines up with the adapters front plane.

2. Cut off the excess length on the backside of the mount adapter with a sharp knife or scissors.

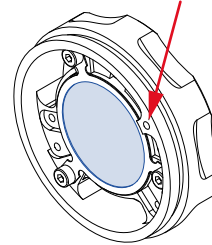


Figure 63: Position to cut off the thread plug on the backside of the mount adapter.

F-Mount lens adapter

A separate lens adapter for F-Mount lenses is available for purchase from Allied Vision. This adapter fits into the M42-Mount of the camera front flange.

For readily assembled mount adapters with special-purpose optical filter, see [Bandpass filter 1450 nm \(water filter\)](#) on page 210.

Product code	Description
1068101	Adapter from M42 to F-Mount without optical filter Goldeye G/CL-008, G/CL-032, G/CL-033
1068201	Adapter from M42 to F-Mount without optical filter Goldeye G/CL-034
1068801	Filter mounting set for Goldeye G/CL F-Mount adapter or M42-Mount adapter, including filter retaining ring, fixtures, tool

Table 174: F-Mount lens adapter order codes

Specifications of the F-Mount adapter

Parameter	Dimensions
Suitable optical filter, diameter	29.5 mm to 30.1 mm
Suitable optical filter, thickness	2.0 mm to 2.5 mm
Maximum protrusion with filter ¹	35.1 mm

¹ For Goldeye G/CL-034 models, the maximum protrusion with filter is 34.0 mm.

Table 175: Specifications of the F-Mount adapter

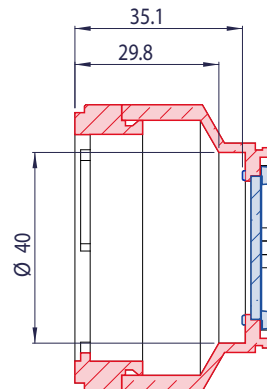


Figure 64: Cross section of the F-Mount adapter (red) with filter (blue) and max. protrusion

Changing the filter in the F-Mount adapter

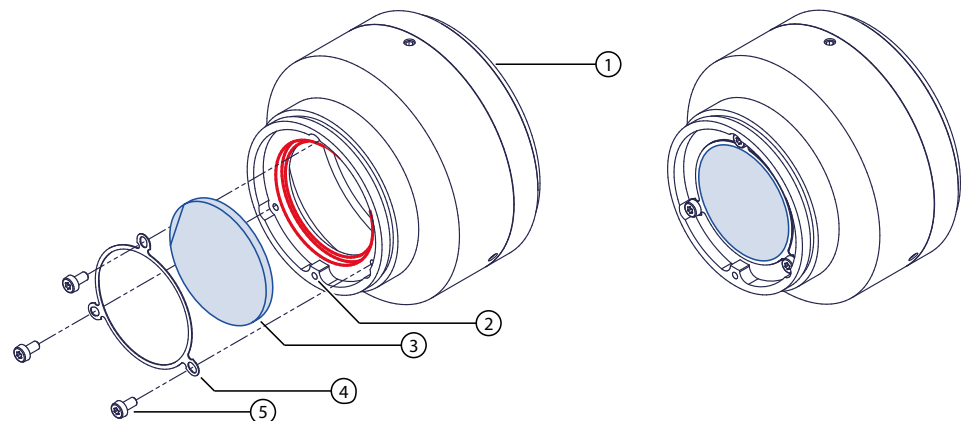


Figure 65: Changing the filter in the F-Mount adapter

If the F-Mount adapter has an optical filter fitted, it is possible to change the optical filter. (See [Bandpass filter 1450 nm \(water filter\)](#) on page 210 for more details on mount adapters with pre-fitted filters.)

To change the filter of the F-Mount lens adapter, follow the instructions outlined.

Removing the adapter from the camera

1. Remove the lens that might be screwed into the F-Mount adapter.
2. Unscrew the adapter (1) from the camera.
 - Loosen the locking screw (2, shown from back of adapter) on the outside of the mount adapter. See [Figure 60 on page 215](#) for the position of the locking screws.
 - Use a 1.3 mm hex key for Goldeye models with Cool housing:
G/CL-008 Cool and G/CL-032 Cool.
 - Use a 0.9 mm hex key for all other models.

- To avoid penetration of foreign substances into the camera, ensure that the front flange is covered with a dust cap. See [Avoiding the necessity of camera cleaning on page 292](#).

Removing the filter from the mount adapter

1. On the back side of the mount, loosen the three cylinder bolts (5) of the filter fixing ring (4), using a Torx T6 tool.
2. Remove the fixing ring.
3. Remove the existing optical filter (3) from the adapter.

Installing a optical filter into the mount adapter

1. Insert the new optical filter into the matching recess.
 - See [Table 65 on page 219](#) (blue = filter, red = filter recess).
 - See [Table 175 on page 218](#) for dimensions of suitable optical filters.
2. Insert the fixing ring into the adapter.
3. Fix the ring with the three cylinder bolts.
 - Tighten the bolts with a maximum torque of 0.25 Nm.

Attaching the mount to the camera

1. Screw the adapter into the camera again.
2. Tighten the locking screw with a maximum torque of 0.1 Nm.

M42-Mount lens adapter

To avoid damage to the camera by lens protrusion, a separate lens adapter for M42-Mount lenses is available for purchase from Allied Vision. This adapter fits into the M42-Mount of the camera front flange.

For readily assembled mount adapters with special-purpose optical filter, see [Bandpass filter 1450 nm \(water filter\)](#) on page 210.

Product code	Description
1068103	Adapter from M42 to M42-Mount without optical filter Goldeye G/CL-008, G/CL-032, G/CL-033
1068203	Adapter from M42 to M42-Mount without optical filter Goldeye G/CL-034
1068801	Filter mounting set for Goldeye G/CL F-Mount adapter or M42-Mount adapter, including filter retaining ring, fixtures, tool

Table 176: M42-Mount lens adapter order codes

To avoid scratching or other damage to optical filters, always store away unused optical filters carefully.



Never use the camera without a mount adapter

To avoid damaging the sensor or sensor board, never try to screw a lens directly into the M42-Mount of the camera front flange. Always use the M42-Mount adapter when working with M42-lenses.

Specifications of the M42-Mount adapter

Parameter	Dimensions
Suitable optical filter, diameter	29.5 mm to 30.1 mm
Suitable optical filter, thickness	2.0 mm to 2.5 mm
Maximum protrusion with filter ¹	34.1 mm
¹ For Goldeye G/CL-034 models, the maximum protrusion with filter is 34.8 mm with a filter diameter of up to 33.0 mm.	

Table 177: Specifications of the M42-Mount adapter

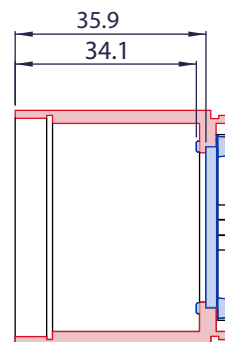


Figure 66: Cross section of the M42-Mount adapter (red) with filter (blue) and max. protrusion

Changing the filter in the M42-Mount adapter

If the M42-Mount adapter has an optical filter fitted, it is possible to change it. (See [Bandpass filter 1450 nm \(water filter\)](#) on page 210 for more details on mount adapters with pre-fitted filters.)

To change the filter of the M42-Mount lens adapter, follow the instructions outlined.

Removing the adapter from the camera

1. Remove the lens that might be screwed into the M42-Mount adapter.
2. Unscrew the adapter (1) from the camera.
 - Loosen the locking screw (2, shown from back of adapter) on the outside of the mount adapter. See [Figure 60 on page 215](#) for the position of the locking screws.
Use a 1.3 mm hex key for Goldeye models with Cool housing: G/CL-008 Cool and G/CL-032 Cool.
Use a 0.9 mm hex key for all other models.
 - To avoid penetration of foreign substances into the camera, ensure that the front flange is covered with a dust cap. See [Avoiding the necessity of camera cleaning on page 292](#).

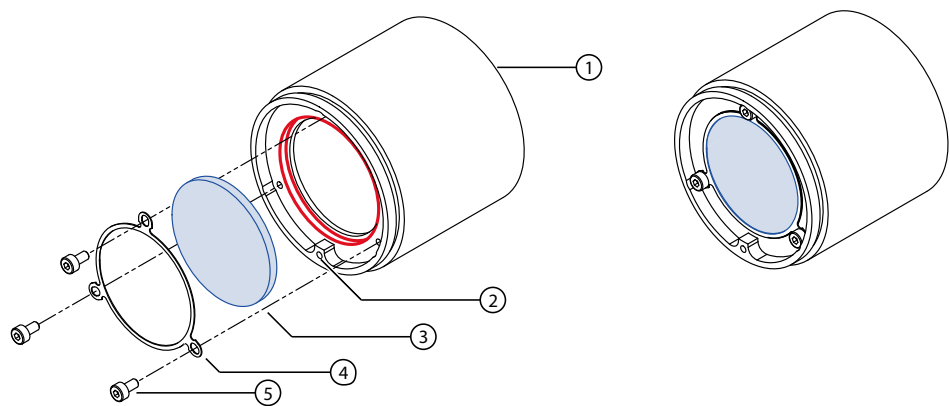


Figure 67: Changing the filter in the M42-Mount adapter

Removing the filter from the mount adapter

1. On the back side of the mount, loosen the three cylinder bolts (5) of the filter fixing ring (4), using a Torx T6 tool.
2. Remove the fixing ring.
3. Remove the existing optical filter (3) from the adapter.

Installing a filter into the mount adapter

1. Insert the new optical filter into the matching recess.
 - See [Figure 67](#) (blue = filter, red = filter recess).
 - See [Table 177 on page 221](#) for dimensions of suitable optical filters.
2. Insert the fixing ring into the adapter.
3. Fix the ring with the three cylinder bolts.
 - Tighten the bolts with a maximum torque of 0.25 Nm.

Attaching the mount to the camera

1. Screw the adapter into the camera.
2. Tighten the locking screw with a maximum torque of 0.1 Nm.

Adjusting the C-Mount

Only for

Goldeye G/CL-030 TEC1, G/CL-130 TEC1, G/CL-034 XSWIR 1.9 TEC2, and G/CL-034 XSWIR 2.2 TEC2 **models with C-Mount adapter**

Flange focal distance is the optical distance from the mounting flange to image sensor die. Goldeye cameras with C-Mount are calibrated for a flange focal distance of standard 17.526 mm.

Sometimes the C-Mount must be adjusted; for example, to compensate for C-Mount lenses that deviate from the specified flange focal distance. In this case, follow the instructions in this section.

Preconditions

- Goldeye camera (model range see above) with C-Mount adapter
- C-Mount lens with a long focal length, or an adjustable zoom lens that can be focused to infinity
- Target at minimum 10 to 15 meters distance with clear structures for easy focusing
- Locking wrench, Allied Vision product code 02-5003A



Contact the Allied Vision Sales team to purchase the hexagonal lens adjustment wrench for C-Mount locking rings of Goldeye cameras (product code 02-5003A).

Part description

Figure 68 shows the C-Mount ring and the tool to loosen and tighten the locking ring.

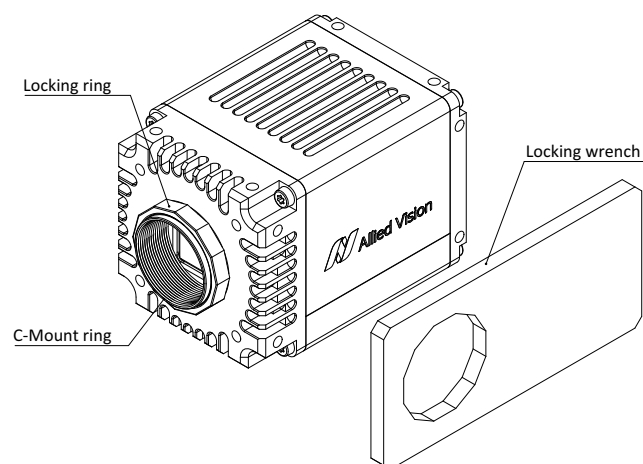


Figure 68: Goldeye camera with C-Mount adapter and locking wrench

Instructions

1. Make sure the C-Mount lens is threaded firmly onto the C-Mount ring.
2. Loosen the locking ring. Be careful not to scratch the camera.
3. When the locking ring is loose, unthread the ring a few turns from the camera face.
4. Point the lens towards the target.
5. Set the lens to infinity.
6. Rotate the lens and C-Mount ring in both directions until the image is focused.
7. Tighten the locking ring.
8. Recheck the focus.
9. If focus has been lost, continue with [Step 2](#).
10. If the image is still in focus, you are done.

Replacing filters on G/CL-030/130 and XSWIR models with C-Mount adapter

Preconditions

- Goldeye camera (model range see above) with C-Mount adapter
- Suitable filter and wrench.



Available filters for C-Mount cameras

See [Filters for G/CL-030/130 and XSWIR models](#) on page 211. Filters by Allied Vision include a locking wrench to replace filters

Part description

[Figure 68](#) shows the wrench to replace filters.

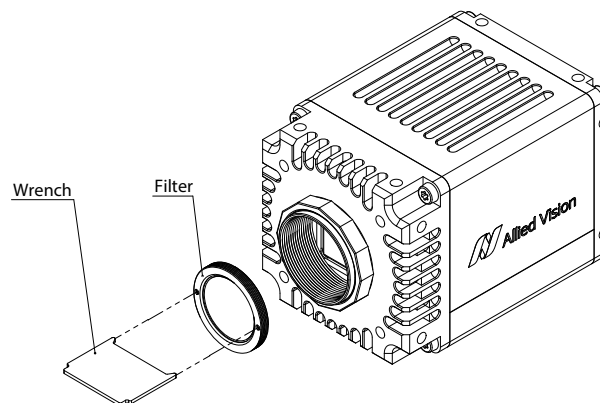


Figure 69: Goldeye camera with C-Mount adapter, filter, and locking wrench

Inserting filters



Keep dust away

We recommend you to hold the camera with the lens mount facing the ground to keep dirt out.

1. Remove the lens or protection cap from the C-Mount.
2. Place the filter on the wrench, with the pins of the wrench fitting into the holes of the filter ring.
3. Holding the filter with the wrench, engage the filter to the C-Mount.
4. Screw the filter clockwise into the C-Mount until you feel resistance.
5. Place a lens or protection cap on the C-Mount to keep dust away.

Removing filters

1. Remove the lens or protection cap from the C-Mount.
2. Insert the pins of the wrench into the holes of the filter ring.
3. Screw the filter counter clockwise out of the C-Mount.
4. Place a lens or protection cap on the C-Mount to keep dust away.
5. Store the filter protected from dust.

Filter specifications



Available filters

This chapter informs about different filters that can be used with Goldeye G/CL cameras.

For **available filters**, see [Optical filters and accessories](#) on page 210.

The Modular Concept lists a selection of **standard options**:

www.alliedvision.com/fileadmin/content/documents/products/cameras/various/modular-concept/ModularConcept_external.pdf

Please contact your Allied Vision representative for **more options**:

www.alliedvision.com/en/avt-locations/avt-distributors

General terms explained

In general, these types of filters are used to filter visible and invisible wavelengths of various frequencies:

- **Bandpass filters** are translucent for a certain wavelength, rejecting all wavelengths above and below the defined range.
- **Longpass filters** are translucent from a certain wavelength onwards and for all wavelengths above it, thus rejecting all wavelengths below.
- **Visible cut-off filters** are a subset of longpass filters that prevent visible light from passing to the sensor.
- **Shortpass filters** are translucent up to a certain wavelength and for all wavelengths below, thereby rejecting all wavelengths above.
- **Notch** or **band reject filters** are translucent for all wavelengths above and below a defined range, thereby rejecting all wavelengths of that range. A Band Reject filter can be seen as the opposite of a Bandpass filter.

Bandpass filters

The Goldeye responds to wavelengths from about 900 nm to 1700 nm. Using a bandpass filter, it is possible to restrict the complete bandwidth to a certain range of wavelengths. That way, only a certain wavelength band is transmitted, all others are rejected.

The describing characteristics of a bandpass filter are properties like optical density, or spectral profile. The main characteristics, however, are the center wavelength (CWL) together with the bandwidth (full width at half maximum, FWHM) being transmitted. Bandpass filters can cut the transmitted frequencies more or less sharply. Accordingly, the increase or decrease in gain at the edges of the translucent frequency band is more or less steep. This results in certain properties for each bandpass filter, that are defined by the following terms.

Passband

The passband is the band of wavelengths that the filter allows to pass. Generally, the passband refers to the range of wavelengths between the **Cut-on** and **Cut-off** wavelengths. Therefore, most often the passband is described using the central wavelength and the FWHM.

Stopband

The stopband is the range of wavelengths over which unwanted signals are attenuated. Bandpass filters have two stopbands, one above and one below the passband. As a rule, the end of the stopbands is not precisely defined.

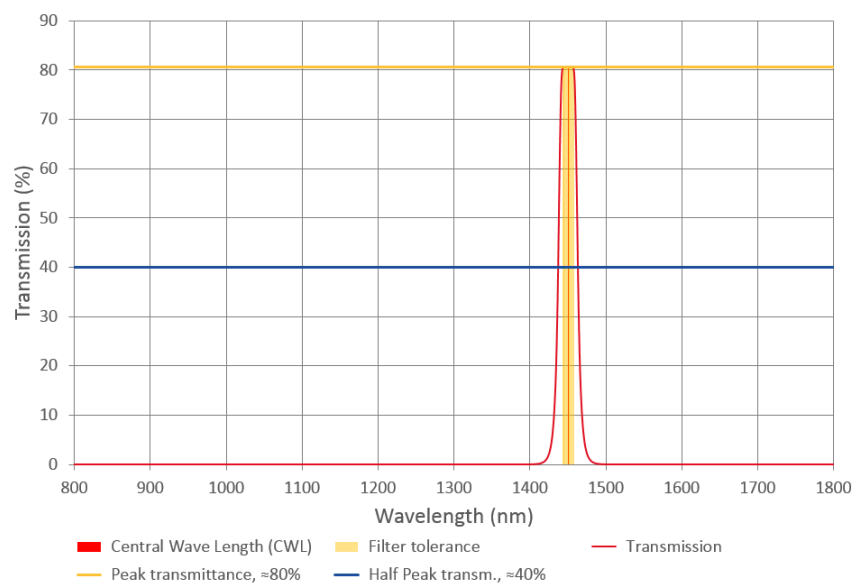


Figure 70: Example of a response curve of a bandpass water filter

CWL (=central wavelength)

The wavelength at the center of the filter's passband. This wavelength is the arithmetical mean of the Cut-on and Cut-off wavelengths.

Cut-on and Cut-off wavelength

The Cut-on wavelength is the wavelength within the transition slope from rejection to pass where the transmittance is at 50 percent of peak transmittance. The Cut-off wavelength is the wavelength within the transition slope from pass to rejection where the transmittance is at 50 percent of peak transmittance. The range between both wavelengths is called the **FWHM**.

Peak Transmittance

Also referred to as filter **Transmission Rate**. The peak transmittance describes the maximum amount of light that a filter allows to pass. No filter allows 100 percent of the light to pass, however, good quality filters allow more light to pass through, thus their transmission rate is closer to 100 percent. Filters of lower quality appear darker, they transmit only slightly more than 50 percent of the light.

Tolerance

The range of wavelengths within the passband, equally on both sides of the central wavelength, that provide transmission rates very close to the peak transmittance around the center wavelength.

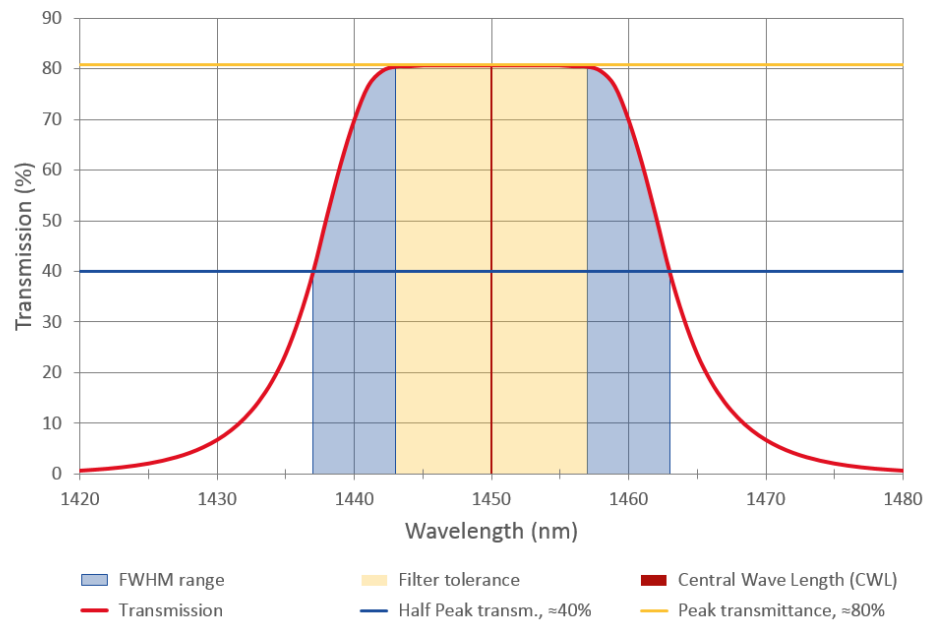


Figure 71: Detail of the water filter pictured in Figure 70, CWL = 1450 nm ±7 nm, FWHM = 26.5 nm

FWHM (Full Width at Half Maximum)

Also called **Half Bandwidth**. Defines the width of the passband of a bandpass filter. It is defined as the range of wavelengths on either side of the CWL where the transmission rate is one half of the peak transmittance or higher.

Half Power Points

Points on both sides of the passband curve of a filter, with a transmission rate that is half of the peak transmittance; the range of wavelengths between these points is called the **FWHM**. The arithmetical mean of the wavelengths of these points is called the **CWL**. The half power points define the **Cut-on** and **Cut-off** wavelengths.

Single and multi band filters

Single band filters provide only one passband.

Multi band filters provide two or more passbands that are separated by a rejection band.

Bandpass filters 1450 nm (water filters)

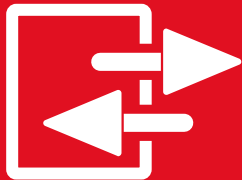
As an example, the center wavelength of a water filter displayed in [Figure 71](#) is 1450 nm with a tolerance of ± 7 nm, and a FWHM bandwidth of 26.5 nm. The maximum transmission of the passband is around 80 percent. Therefore, the FWHM in this example is defined as the range of frequencies around the CWL where the transmission is 40 percent or above.



Bandpass filters 1450 nm assembled

See [Bandpass filter 1450 nm \(water filter\)](#) on page 210.

Camera interfaces



This chapter includes:

GigE port, back panel, and status LEDs (GigE).....	233
CL port, back panel, and status LED (CL)	233
Power supply (GigE and CL models)	235
I/O description (GigE and CL models).....	237
Frame grabber requirements (CL)	249
Timing (CL)	250
Starting the acquisition automatically (CL).....	254

GigE port, back panel, and status LEDs (GigE)

Gigabit Ethernet port

The Gigabit Ethernet (GigE) port conforms to the IEEE 1000BASE-T standard for Gigabit Ethernet. We recommend using CAT-5e compatible cabling and connectors or better for best performance.

Goldeye G cameras have a GigE interface and work with standard GigE hardware and cables, with cable lengths up to 100 meters.

Back panel

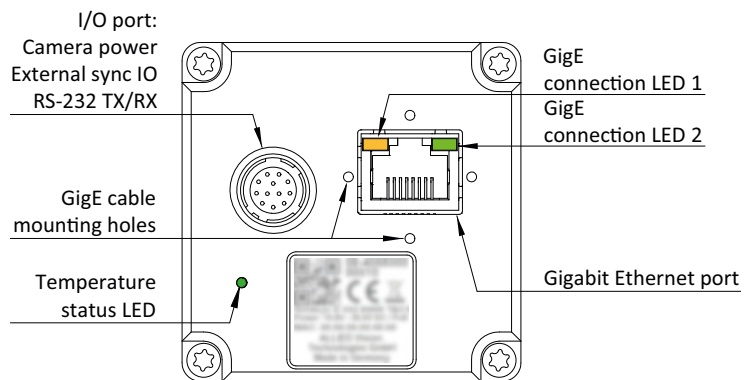


Figure 72: Connection ports and LEDs of Goldeye G-008 TEC1, G-030 TEC1, G-032 TEC1, G-033 TEC1, G-033 TECless, G-034 TEC1, G-130 TEC1

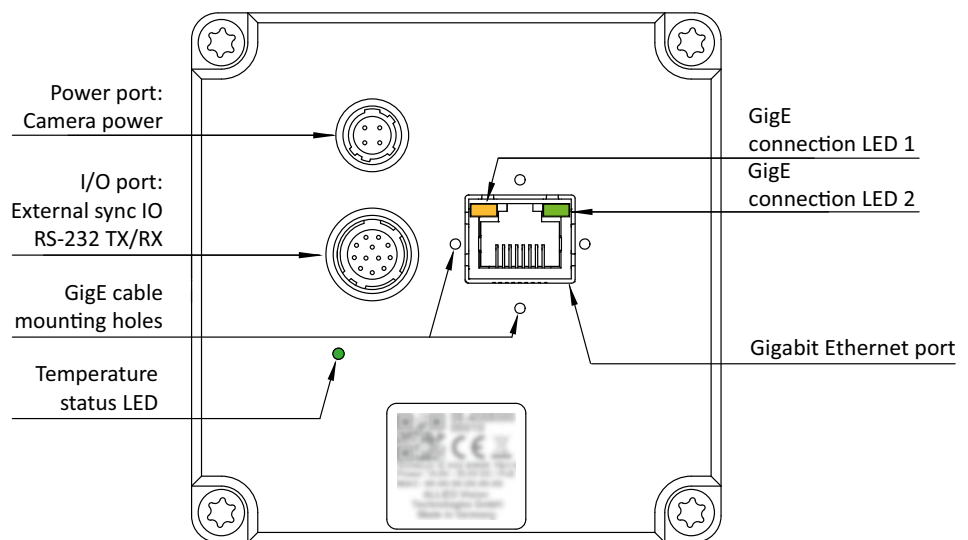


Figure 73: Connection ports and LEDs of Goldeye G-032 Cool and G-008 Cool

The Goldeye G has the following LEDs on its rear panel:

- Two LEDs at the RJ45/8P8C port showing the GigE connection status.
- One temperature status LED showing the sensor and camera temperature status.

For detailed explanations on temperature status and temperature management of the Goldeye G/CL, refer to [Temperature control on page 275](#).

GigE status LEDs




LED	LED color	Status
LED 1	 Amber (cont. or flashing)	Ethernet activity
LED 2	 Green flashing	Camera is connected to power
LED 2	 Green (cont.)	Once the camera is booted, LED 2 remains green as long as the camera is connected to power, even if connection with the host is lost.

Table 178: Goldeye G: GigE status LEDs

CL port, back panel, and status LED (CL)

Camera Link port

Goldeye CL cameras are equipped with a Camera Link (CL) interface that conforms to the Camera Link V2.0 standard.

Back panel

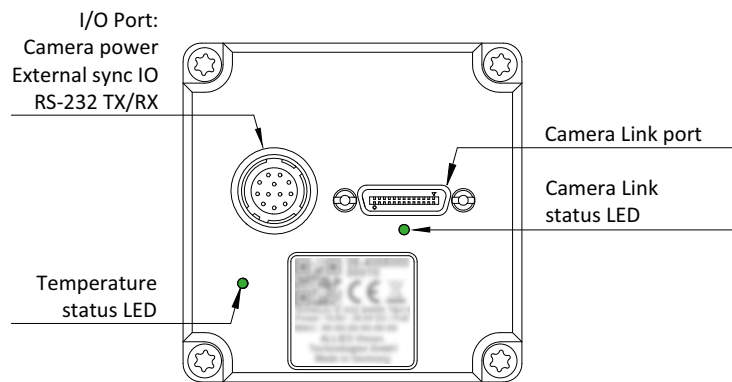


Figure 74: Connection ports and LEDs of Goldeye CL-008 TEC1, CL-030 TEC1, CL-032 TEC1, CL-033 TEC1, CL-033 TECless, CL-034 TEC1, CL-130 TEC1

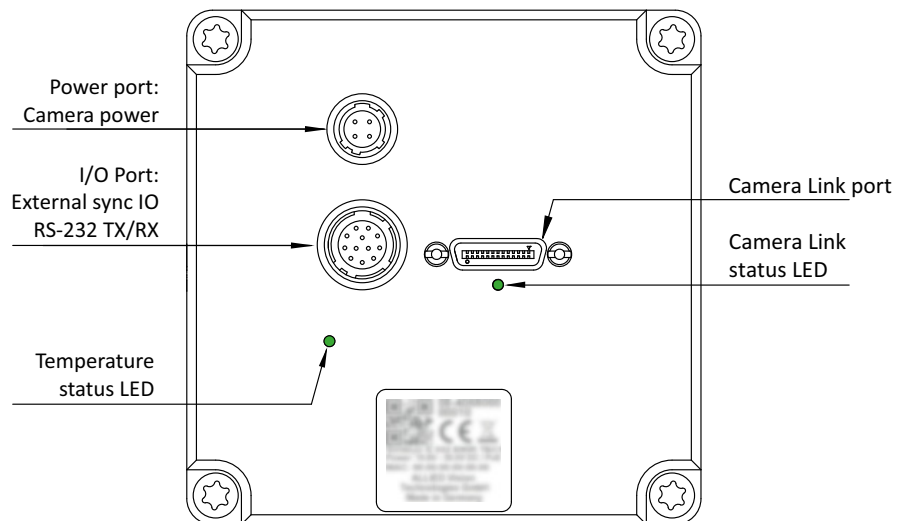


Figure 75: Connection ports and LEDs of a Goldeye CL-032 Cool and CL-008 Cool

The Goldeye CL has the following LEDs on its rear panel:

- One Camera Link status LED showing the Camera Link connection status.
- One temperature status LED showing the sensor and camera temperature status. See [TEC1](#), [TEC2](#), [TECless](#) on [page 276](#) for further explanation.

Camera Link status LED




LED codes	Status and description
	Booting <ul style="list-style-type: none"> • Boot phase after powering up the camera • Firmware update in progress
	Idle Camera is idle and ready.
	Transmission During image transmission, the LED toggles between red and green. Traffic on the serial control channel is shown by additional irregular fast green-red flashing. This may cause the LED to appear amber colored.

Table 179: Camera Link status LED



Read more about temperature management

For detailed explanations on temperature status and temperature management of the Goldeye G/CL, refer to [Temperature control](#) on [page 275](#).

Power supply (GigE and CL models)

Depending on the model, various options are available to provide Goldeye cameras with power. [Table 180](#) lists the options available for all Goldeye models. All Goldeye models do not work in reverse polarity. Refer also to [Table 185](#) on page 239 and [Table 187](#) on page 240 for details of pin assignment for each connector.



Ensure correct power connection

The DC port is not intended to be connected to a DC distribution network.

Goldeye model	Hirose	PoE
Goldeye G models		
G-008 TEC1 G-030 TEC1 G-032 TEC1 G-033 TEC1 and TECless G-034 TEC1 G-130 TEC1	Through the Hirose I/O port, via Pin 1, External GND , and Pin 2, External Power .	Through the Gigabit Ethernet port by a PoE (IEEE 802.3at Type 1 Class 0) supported network card, switch, or injector.
G-008 Cool TEC1	Through the Hirose 4-pin power port, using all four pins of the connector. These models do not use pin 2 of the 12-pin Hirose I/O port.	Through the Gigabit Ethernet port by a PoE (IEEE 802.3at Type 1 Class 0) supported network card, switch, or injector.
G-032 Cool TEC2 G-034 XSWIR 1.9 TEC2 G-034 XSWIR 2.2 TEC2	Through the Hirose 4-pin power port, using all four pins of the connector. These models do not use pin 2 of the 12-pin Hirose I/O port.	Through the Gigabit Ethernet port by a PoE+ (IEEE 802.3at Type 2 Class 4) supported network card, switch, or injector.
Goldeye CL models		
CL-008 TEC1 CL-030 TEC1 CL-032 TEC1 CL-033 TEC1 and TECless CL-034 TEC1 CL-130 TEC1	Through the Hirose I/O port, via Pin 1, External GND , and Pin 2, External Power .	Not applicable
CL-008 Cool TEC1 CL-032 Cool TEC2 CL-034 XSWIR 1.9 TEC2 CL-034 XSWIR 2.2 TEC2	Through the Hirose 4-pin power port, using all four pins of the connector. These models do not use pin 2 of the 12-pin Hirose I/O port.	Not applicable

Table 180: Differences in power supply between various Goldeye models.

Power supply via Hirose connector

Industrial design Goldeye models (using the I/O port)

Use one of the following connections.

- Power supply with Hirose 12-pin connector
- I/O cable with Hirose 12-pin connector in conjunction with a standard power supply adapter

Goldeye Cool models (using the power port)

Use one of the following connections:

- Power supply with Hirose 4-pin connector
- Power cable with Hirose 4-pin connector in conjunction with a standard power supply adapter.

You cannot use the Hirose 12-pin I/O connector to supply Goldeye Cool models with power.



Ensure a correct power supply

In case the camera is provided with power via the I/O connector, always ensure that the voltage at the camera input lies within the designated requirement of 10.8 V to 30.0 V.

Power supply via Gigabit Ethernet (Goldeye G only)

You can supply Goldeye G models with power through the Gigabit Ethernet port by using any standard Power over Ethernet (PoE or PoE+) supported network connection.

The pin assignment of the RJ45/8P8C connector is according to the Ethernet Standard (IEEE 802.3 1000BASE-T), which supports cable lengths of up to 100 meters. All Goldeye G models can obtain power from IEEE 802.3at compliant Power Sourcing Equipment (PSE) devices, such as switches, injectors, or NICs.

If any Hirose connector provides a valid DC voltage to the camera, and the GigE connector is connected via PoE at the same time, the camera obtains power from the Hirose connector only.



Goldeye G models: Minimizing Power consumption

If the camera operates under higher temperature conditions, you should consider powering the camera via the I/O connector instead of PoE, because PoE contributes to the heat build-up inside the camera.

Refer to [Specifications \(GigE models\) on page 77](#) for details on power consumption.

I/O description (GigE and CL models)

I/O connectors and pin assignment



Avoid electrostatic discharge

Electrostatic sensitive device.

To prevent equipment damage, use proper grounding techniques.



Avoid electromagnetic interferences

For all power and interface connections use only shielded cables.

Connectors

Goldeye model	Connector	Usage
G/CL-008 TEC1	Hirose 12-pin	External power and I/O
G/CL-030 TEC1		
G/CL-032 TEC1		
G/CL-033 TEC1		
G/CL-033 TECless		
G/CL-034 TEC1		
G/CL-130 TEC1		

Table 181: Hirose connectors used with Goldeye standard models

Goldeye Cool and XSWIR model	Connector	Usage
G/CL-008 Cool TEC1	Hirose 12-pin	I/O
G/CL-032 Cool TEC2	Hirose 4-pin	External power
G/CL-034 XSWIR 1.9/2.2 TEC2		

Table 182: Hirose connectors used with Goldeye Cool and XSWIR models

I/O types

Non-isolated I/Os

- One non-isolated line-in (3.3 V LVTTTL, 5 V TTL tolerated, see [Table 185](#) on page 239)
- One non-isolated line-out (5 V TTL)
- (Camera Link only) Four non-isolated LVDS inputs (CC ports)

Opto-isolated I/Os

- One opto-isolated line-in
- Two opto-isolated line-out
- Maximum isolated power voltage is 30 V
- Line-in voltages:
 - $V_{in}(\text{low}) = 0.0 \text{ V to } 1.0 \text{ V}$
 - $V_{in}(\text{high}) = 3.0 \text{ V to } 24.0 \text{ V}$

Trigger cables with 12-pin Hirose connector (overview)

Cable side Hirose connectors (without cable) and I/O cables with Hirose connector are available for purchase from Allied Vision.

Product code	Description
1068908	Trigger cable In1 BNC LVTTTL with Hirose 12-pin connector, 2 m
1068909	Trigger cable In1 BNC LVTTTL with Hirose 12-pin connector, 5 m

Table 183: Available trigger cables with Hirose 12-pin connector

If you use other I/O cables, the maximum length of the I/O cable must not exceed 30 meters.

Pin assignment

Hirose 12-pin connector

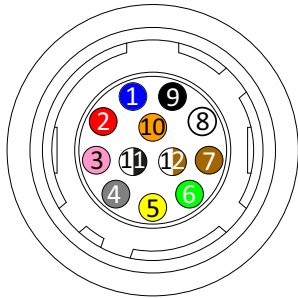
	Quick links
	External GND and external power(pin 1 and pin 2) for industrial design models
	RxD RS232 and TxD RS232 (pin 8, pin 9)
	Isolated out power (pin 10)
	In 1- non-isolated (pin 4)
	In 2- opto-isolated (pin 11)
	Out 1- non-isolated (pin 6)
	Out 2 (pin 12) and Out 3 (pin 5)- opto-isolated

Table 184: Overview of I/O connections of the 12 pin Hirose connector

Pin	Color code	Signal	I/O	Level	Description
1	Blue	External GND	In/ Out	GND for RS232 and external power	Ext. ground for RS232, TTL I/Os (and ext. power)
2	Red	External Power ¹	In	10.8 V to 30.0 VDC	Power supply ¹
3	Pink	Video Type Auto Iris Out	Out	Not applicable	Video iris
4	Gray	In 1	In	V _{in} (low) 0.0 V to 0.8 V V _{in} (high) 2.0 V to 5.0 V	Input 1 non-isolated (LineIn1)
5	Yellow	Out 3	Out	Open emitter, max. 20 mA	Output 3 opto-isolated (LineOut3)
6	Green	Out 1	Out	TTL (5 V, max. 20 mA)	Output 1 non-isolated (LineOut1)
7	Brown	Isolated In GND	In	Common GND for opto-isolated inputs	Camera common input ground (In GND)
8	White	RxD RS232	In	RS232	Terminal receive data
9	Black	TxD RS232	Out	RS232	Terminal transmit data
10	Orange	Isolated Out Power	In	Common supply voltage for outputs max. 30 VDC	External power input for digital outputs (Out V _{CC})
11	White/Black	In 2	In	V _{in} (low) 0.0 V to 1.0 V V _{in} (high) 3.0 V to 24.0 V	Input 2 opto-isolated (LineIn2)
12	White/Brown	Out 2	Out	Open emitter, max. 20 mA	Output 2 opto-isolated (LineOut2)

¹ Cool models: External power is supplied by 4-pin Hirose connector only, pin 2 of the 12-pin connector is not connected.

Table 185: Pin assignment for the 12 pin Hirose connector

Hirose 4-pin connector

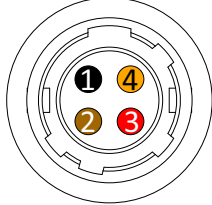
	Quick links
	External GND and external power(pin 1 to pin 4) for Cool models

Table 186: Overview of connections of the 4 pin Hirose connector

Pin	Color code	Signal	I/O	Level	Description
1	Black	External Power	In	10.8 V to 30.0 VDC	External power
2	Brown	External Power	In	10.8 V to 30.0 VDC	External power
3	Red	External GND	In	GND external power	External ground for external power
4	Orange	External GND	In	GND external power	External ground for external power

Table 187: Pin assignment for the 4 pin Hirose connector

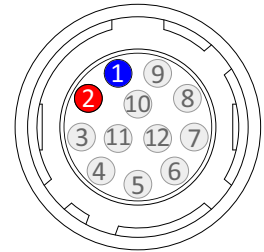
I/O definitions

External GND and external power

Goldeye standard models

Use pins 1 and 2 of the Hirose 12-pin connector to power the camera:

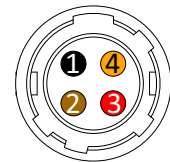
- G/CL-008 TEC1
- G/CL-030 TEC1
- G/CL-032 TEC1
- G/CL-033 TEC1, G/CL-033 TECless
- G/CL-034 TEC1
- G/CL-130 TEC1



Goldeye Cool and XSWIR models

Use pin 1 to pin 4 of the Hirose 4-pin connector to supply the camera with power:

- G/CL-008 Cool TEC1
- G/CL-032 Cool TEC2
- G/CL-034 XSWIR 1.9 TEC2
- G/CL-034 XSWIR 2.2 TEC2



For more information on power supply refer to [GigE status LEDs on page 232](#).

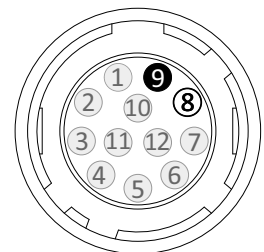


Observe the input voltage

Exceeding the 30 V input voltage can permanently damage the camera.

RxD RS232 and TxD RS232 (pin 8, pin 9)

These signals are RS232 compatible. These signals are not optically isolated. Connect RS232 ground to Camera GND to complete the RS232 circuit. Communication takes place at a bandwidth of up to 115,200 bits per second (customer adjustable).



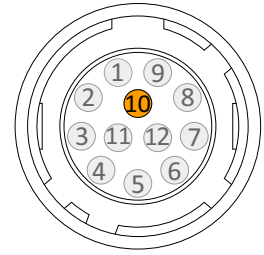
More information on the RS232 interface

For complete RS232 description and usage on GigE cameras, see the application note RS232 Port:

www.alliedvision.com/en/support/faqs-application-notes

Isolated out power (pin 10)

Connect the **Isolated Out Power** to a power source for isolated signals **Out 2** and **Out 3**. The voltage requirement is 3 to 30 VDC. The current requirement for this supply is a function of the optical insulator collector current and the number of outputs used in the system. **Isolated Out Power** wiring should be physically close to **Out 2 / Out 3** wiring to prevent parasitic coupling.

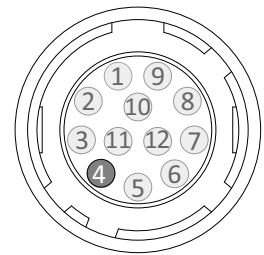


Input signals

Input signals allow the camera to be synchronized to an external event. The camera can be programmed to trigger on the rising edge, falling edge, both edges, or level of the signal. The camera can also be programmed to capture an image at some programmable delay time after the trigger event.

In 1 - non-isolated (pin 4)

In 1 is not electrically isolated and can be used when environmental noise is inconsequential, and a faster trigger response is required. To complete the trigger circuit, connect trigger ground to External GND.

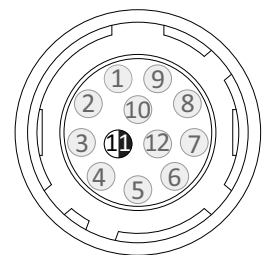


Trigger signal	Input current
Required trigger signal:	LVTTTL (3.3 V), TTL (5 V) tolerated
Input current to be expected in TTL mode:	3 mA
Input current to be expected in LVTTTL mode:	0.3 mA

Table 188: Input 1 trigger signal and input current

In 2 - opto-isolated (pin 11)

In 2 is optically isolated and can be used in electrically noisy environments to prevent false trigger events. To complete the trigger circuit, connect trigger ground to **Isolated In GND**. Compared to the non-isolated trigger, **In 2** has a longer propagation time.



Trigger signal	Input current
Trigger input voltage: V_{in} (low)	0.0 V to 1.0 V
Trigger input voltage: V_{in} (high)	3.0 V to 24.0 V
Input current to be expected	5 mA

Table 189: Input 2 trigger signal and input current

Isolated input block diagram

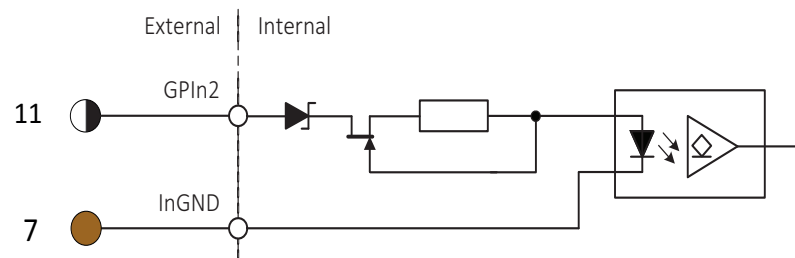


Figure 76: Goldeye G/CL isolated input block diagram

The inputs can be connected directly to the system for voltages up to 24 VDC. An external resistor is not necessary.

Goldeye G/CL isolated input delay and minimum pulse width

The minimum pulse width for all Goldeye G/CL cameras is:

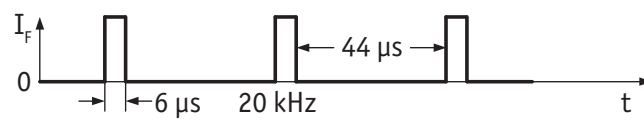


Figure 77: Goldeye G/CL minimum pulse width

Test conditions

The input signal was driven with 3.3 V (LVTTTL) and no external additional series resistor was used.

CC1 - CC4 (Camera Link only)

The Camera Link signals CC1- CC4 are LVDS (Low-voltage differential signaling) pairs and are located on the SDR-26 connector. They are exclusively controlled by the frame grabber the camera is connected to. For further information refer to the Camera Link standard.

Output signals

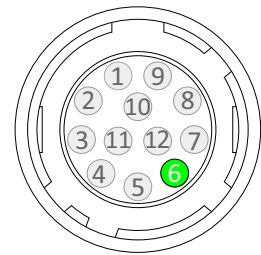
Output signals can be assigned to a variety of internal camera signals via software. They can be configured to active high or active low. The internal camera signals are listed in [Table 194](#) on page 247.

Output signal	Description
Exposing	Indicates when camera is integrating light.
Trigger Ready	Indicates when the camera is ready to accept a trigger signal.
Trigger Input	A relay of the trigger input signal used to “daisy chain” the trigger signal for multiple cameras.
Readout	Valid when the camera is reading out data.
Imaging	Valid when the camera is exposing or reading out.
Strobe	Programmable pulse based on one of the events as listed.
GPO	User programmable binary output.

Figure 78: Goldeye G/CL internal camera signals

Out 1 - non-isolated (pin 6)

The **Out 1** signal is not electrically isolated and can be used when environmental electrical noise is inconsequential, and faster trigger response is required. Connect signal ground to **External GND** to complete the external circuit.



Signal	Output
Output signal	TTL (5 V)
Maximum output current	20 mA

Table 190: Output 1 output signal and maximum current

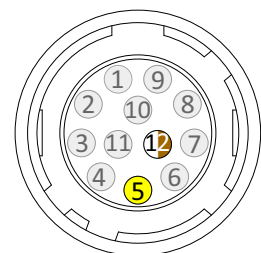


Possible low output voltage

Output voltage may drop **down to 3.5 V** under full load.

Out 2 (pin 12) and Out 3 (pin 5) - opto-isolated

Out 2 and **Out 3** signals are optically isolated and require the user to provide a voltage level at **Isolated Out Power**.



An example of the functional circuit is indicated in [Table 79](#) on page 245.

Signal	Output
Possible voltage source OutV _{CC} Range	3 V to 30 V
Maximum output current per output	20 mA

Table 191: Output 2/Output 3 voltage source and current per channel



Possible low output voltage

Output voltage may drop **by 2.5 V** under full load.

The opto-isolated inputs can be connected directly to the system for voltages up to 24 VDC. An external resistor is not necessary.

Isolated output block diagram

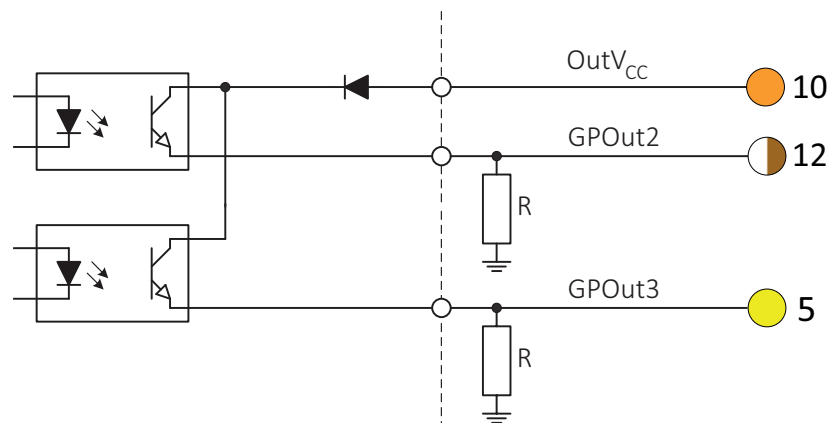


Figure 79: Goldeye G/CL isolated output block diagram

OutV _{CC}	Resistor value
5 V	1.0 kΩ
12 V	2.4 kΩ
24 V	4.7 kΩ

Table 192: OutV_{CC} and value of the external resistor

Goldeye G/CL isolated output delay

The output switching times displayed in [Figure 80](#) are applicable to opto-coupled outputs only.

Note that higher external resistor values increase the time values that are listed in [Table 193](#).

Parameter	Value
Delay time	$t_d \approx 1 \mu\text{s}$
Rise time	$t_r \approx 1 \mu\text{s}$
Turn-on time	$t_{on} = t_d + t_r \approx 2 \mu\text{s}$
Storage time	$t_s \approx 26 \mu\text{s}$
Fall time	$t_f \approx 21 \mu\text{s}$
Turn-off time	$t_{off} = t_s + t_f \approx 47 \mu\text{s}$

Table 193: Output parameters and values

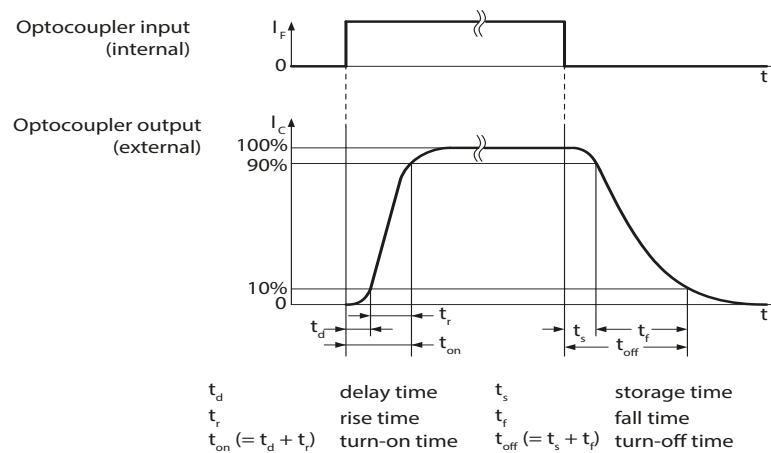


Figure 80: Goldeye G/CL output switching times



Cycle delay

The cycle delay for the Goldeye is as follows:

- $t_{pdLH} < 3.5 \mu\text{s}$
- $t_{pdHL} < 30 \mu\text{s}$

For this reason, we recommend triggering on the rising edge. This ensures the fastest possible reaction time.

Test conditions

- External 2.4 k Ω resistor to GND
- Power input for output ports set to 12 V

Control signals

It is possible to configure the I/Os of the camera, using software. The different modes are described on the following pages.

Inputs

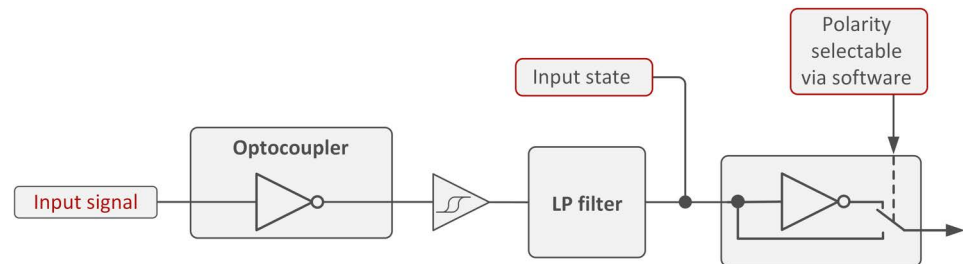


Figure 81: Goldeye G/CL input signal block diagram

I/O pin control

All I/O signals running over the camera I/O connector are controlled by the I/O strobe commands. For more details see the Goldeye G/CL Features Reference.

Outputs

It is possible to configure the output signals, using software. Each of the signals explained in Table 194 can be routed to an output signal through a multiplexer.

Source signal	Description
GPO	Configured to be a general-purpose output, control of which is assigned to LineOutLevels.
AcquisitionTriggerReady	Active when the host application has recognized the camera, and the camera is ready to start acquisition.
FrameTriggerReady	Active when the camera is in a state that accepts the next frame trigger.
FrameTrigger	Active when an image has been initiated to start. This is a camera-internal logic trigger, which is initiated by an external trigger or software trigger event.
Exposing	Active for the duration of sensor exposure.
FrameReadout	Active during frame readout, for example, the transferring of image data from the CCD to camera memory.
Imaging	High when the camera image sensor is either exposing and/or reading out data.
Acquiring	Active during an acquisition stream.
LineIn1	Active when there is an external trigger at LineIn1.
LineIn2	Active when there is an external trigger at LineIn2.

Table 194: Goldeye G/CL possible sources for output signals (sheet 1 of 2)

Source signal	Description
Strobe1	The output signal is controlled according to Strobe1 settings.
CC1	(Camera Link models only) active if trigger is detected on CC1. The CC1 output acts the same way all other Goldeye outputs do.
CC2	(Camera Link models only) active if trigger is detected on CC2. The CC2 output acts the same way all other Goldeye outputs do.
CC3	(Camera Link models only) active if trigger is detected on CC3. The CC3 output acts the same way all other Goldeye outputs do.
CC4	(Camera Link models only) active if trigger is detected on CC4. The CC4 output acts the same way all other Goldeye outputs do.

Table 194: Goldeye G/CL possible sources for output signals (sheet 2 of 2)

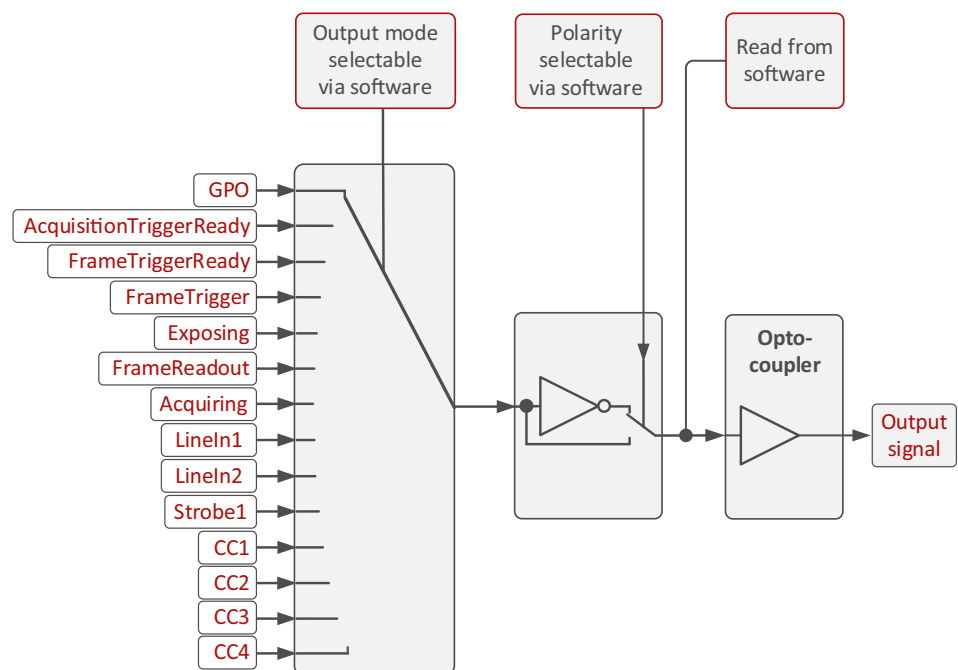


Figure 82: Goldeye G/CL signals output block diagram

Frame grabber requirements (CL)

You can use basically any Camera Link Base compatible frame grabber to operate Goldeye CL cameras. However, the following general aspects should be considered for frame grabber selection:

- The frame grabber needs to support the individual pixel clock frequency of the camera (which may be up to 85 MHz, depending on the model). See also [Changing the clock frequency on page 250](#).
- The frame grabber and the host system need to support the pixel data bandwidth delivered by the camera.

Depending on model and operation mode, a Camera Link Base camera may be able to output up to approximately 170 million 12-bit pixels per second. Assuming a worst-case scenario of unpacked 16 bits per pixel transfer over the host bus, this results in 340 million bytes per second. This is approximately three times the bandwidth of a Gigabit Ethernet port.

- Host software design and system architecture usually affect frame grabber selection as well, for instance the number of cameras connected to the host, the different types of cameras connected, or the availability of a frame grabber specific GenICam transport layer.
- A high transmission rate support (> 115 200 bits per second) of the Camera Link serial port is recommended to improve responsiveness of host software.



More information about frame grabbers

For more information about compatibility of various frame grabber models and system installation refer to the following sources.

- [Installing the camera \(CL\) on page 53](#)
- The application note Usage of Frame grabbers with Goldeye CL Cameras is available for download on the Allied Vision website:
www.alliedvision.com/en/support/technical-documentation/goldeye-gcl-documentation

Timing (CL)

All Goldeye CL models provide the possibility to adapt the timing parameters of the camera.

The timing of the data transfer is based on the Camera Link pixel clock frequency as well as on enable signals defined in the Camera Link protocol. Selecting a lower clock frequency and extending the gaps between the FVAL and LVAL enable signals help to avoid bit errors in data transfer. Thus, it may allow to extend the usual cable length or to use less expensive cables.

Changing the clock frequency

Goldeye CL models support several clock frequencies. [Table 195](#) displays available clock frequencies by model:

Models	Frequency			
	25 Hz	40 Hz	55 Hz	85 Hz
CL-008	✓	✓	N.a.	N.a.
CL-030	✓	N.a.	✓	✓
CL-032	✓	✓	N.a.	N.a.
CL-033	✓	N.a.	✓	✓
CL-034	✓	N.a.	✓	✓
CL-034 XSWIR 1.9/2.2 TEC2	✓	N.a.	✓	✓
CL-130	✓	N.a.	✓	✓

Table 195: Possible clock frequencies with all Goldeye CL camera models.

The clock frequency has an impact on the maximum frame rate, see the frame rate tables in [Specifications \(CL models\)](#) on page 124.

Adjusting the gaps

Besides the Camera Link clock frequency, there are four parameters available that can be used for timing control. These parameters affect the gaps between the FVAL and LVAL signals.

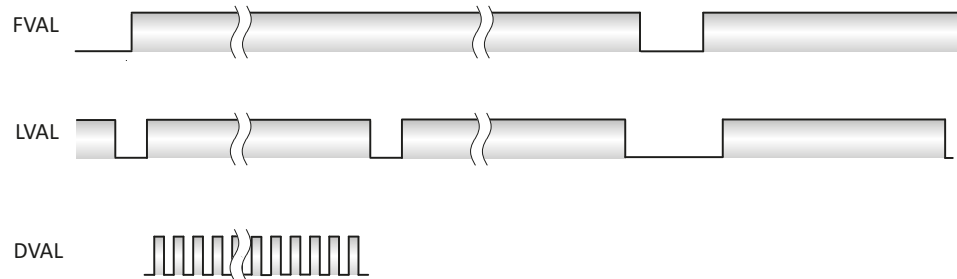


Figure 83: Principle of Camera Link data transfer

Frame Valid (FVAL)

The synchronization signal FVAL is used to indicate the frame transfer phase. When rising, it indicates the start of a new frame transfer phase. When falling, it indicates the end of the frame transfer.

Every frame includes a certain number of lines. All lines transferred during this time slot are valid.

Line Valid (LVAL)

The synchronization signal LVAL is used to indicate a line transfer phase within the current frame transfer. When rising, it indicates the start of a new line transfer phase. When falling, it indicates the end of the line transfer phase.

The LVAL signal is valid only while FVAL is high.

Data Valid (DVAL)

The synchronization signal DVAL is used to indicate a valid pixel within the current line transfer phase. The DVAL bit is high for the transfer of one pixel. When high, it indicates that the pixel is valid. If low, the pixel must be ignored. A pixel is only valid, if all of the FVAL, LVAL and DVAL signals are high.

To make use of the DVAL signal, the frame grabber in use must be able to process it.

Sequential overview

After the start of the data transfer, frames and lines are transferred using the sequence as described.

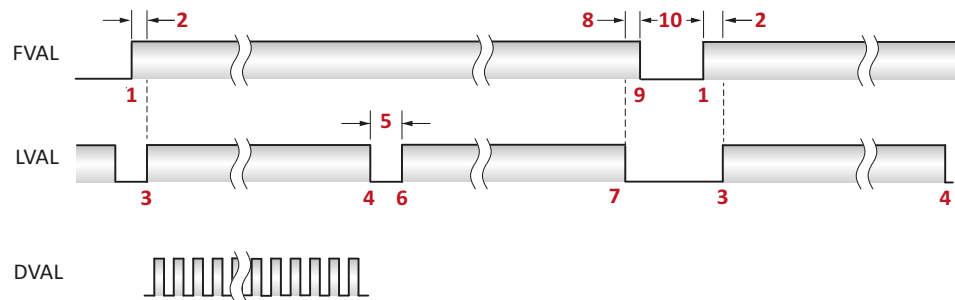


Figure 84: Camera Link data transfer

1. The FVAL signal is set to **high** and indicates the start of a new frame transfer.
2. A gap occurs before the LVAL signal is set to **high**.
The length of this gap is controlled by the `C1MinFValToLValDelay` parameter and is given in camera clock cycles.
The effective length of this gap is equal to either the value of `C1MinFValToLValDelay`, or $(3 \times \text{Width} + 32)$ clock cycles, whatever is the larger.
3. The LVAL signal is set to **high** and indicates the start of a new line transfer.
4. The LVAL signal switches back to **Low** and indicates transfer of the line is complete.
5. A gap occurs between two line transfers.
The length of this gap is controlled by the `C1LValToLValDelay` parameter and is given in clock cycles.



If the value of the `C1LValToLValDelay` parameter is set too small, the camera may not be able to provide the data fast enough. If this happens, the camera automatically extends the gap. This may result in line gaps of unequal lengths.

6. The LVAL signal is set to **high** and indicates the start of a new line transfer.
7. The LVAL signal switches back to **Low** and indicates transfer of the line is complete.
If this was not the last line, go to #5.
If this was the last line, go to #8.
8. A gap occurs after the last line transfer within a frame.
The length of this gap is controlled by the `C1LValToFVal` parameter and is given in clock cycles.
9. FVAL switches back to **Low** and indicates the transfer of the frame is complete.
10. A gap occurs between two frame transfers.
The Length of this gap is controlled by the `C1MinFValToFVal` parameter and is given in clock cycles.
Note that this is the minimum delay that must be kept between two frames.
Go to #1.

The gaps between the FVAL and the LVAL signals can be adjusted as displayed in [Figure 85](#). The lengths of the gaps can be adjusted using the features listed in [Table 196](#).

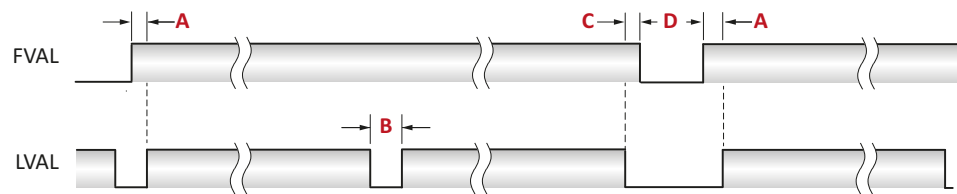


Figure 85: Gaps usable for Goldeye CL timing control

Description		Length [clock cycles]		
		Min.	Default	Max.
A	Minimum gap between the rising edges of the FVAL signal and the first line's LVAL signal. The real delay may be higher than the value specified with this feature. Feature name: C1MinFvalToLvalDelay	0	32	1023
B	Width of the line gap. Feature name: C1LvalToLvalDelay	1	64	1024
C	Gap between the falling edges of the last lines' LVAL signal and the FVAL signal. Feature name: C1LvalToFvalDelay	0	32	1024
D	Minimum gap from one falling edge to the next rising edge of the FVAL signal. The real value may be higher than the value specified by this feature. Feature name: C1MinFvalToFvalDelay	1	32	1024

Table 196: Gaps usable for Goldeye CL timing control

Starting the acquisition automatically (CL)

To start the acquisition automatically after the camera powers up, follow these steps:

- Step 1: Go to the **AcquisitionAutoStartMode** feature and set it to *On*.
- Step 2: Select a user set, using the **UserSetSelector** feature.
- Step 3: Save the current camera parameters in the selected user set, using the **UserSetSave** feature.
- Step 4: To set the selected user set as default user set that will be active after the next start of the camera, activate it using the **UserSetLoad** feature.
- Result: Now the camera will start the acquisition automatically after the next power-up.

Triggering



This chapter includes:

Trigger timing diagram	256
Trigger rules	257
Trigger latencies and jitter	257

Trigger timing diagram

The diagram in [Figure 86](#) explains the trigger concept in general.

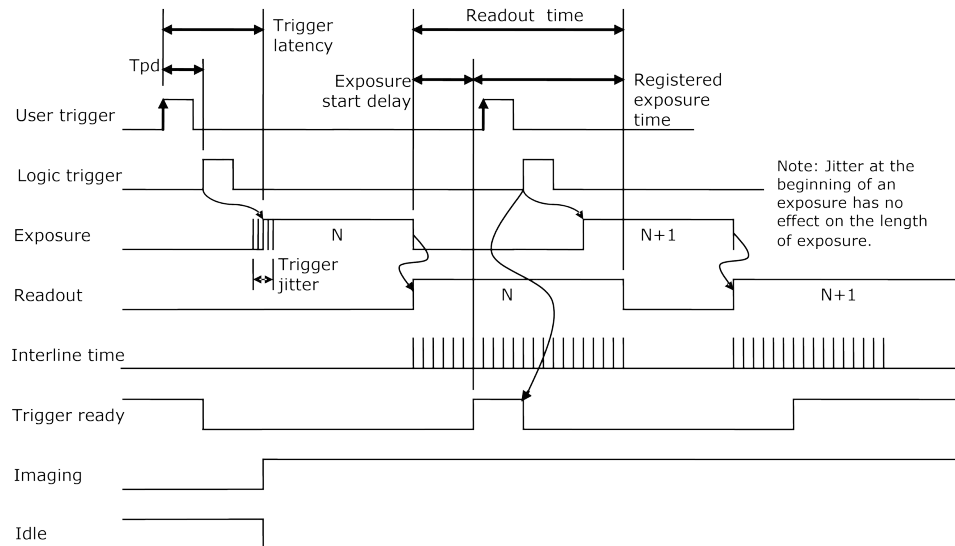


Figure 86: Goldeye G/CL trigger timing diagram

For trigger descriptions on camera control basis see the Allied Vision GigE Camera and Driver Features document.

Trigger definitions

Term	Definition
User trigger	Trigger signal applied by the user (hardware trigger, software trigger).
Logic trigger	Trigger signal seen by the camera internal logic (not visible to the user).
Tpd	Propagation delay between the User trigger and the Logic trigger.
Exposure	High when the camera image sensor is integrating light.
Readout	High when the camera image sensor is reading out data.
Trigger latency	Time delay between the user trigger and the start of exposure.
Trigger jitter	Error in the trigger latency time.
Trigger ready	Indicates to the user that the camera is ready to accept the next trigger.
Registered exposure time	Exposure time value currently stored in the camera memory.
Exposure start delay	Registered Exposure Time subtracted from the Readout time. Exposure start delay indicates when the next exposure cycle can begin such that the exposure end after the current Readout.
Interline time	Time between sensor row readout cycles.
Imaging	High when the camera image sensor is either exposing and/or reading out data.
Idle	High if the camera image sensor is not exposing and/or reading out data.

Table 197: Goldeye G/CL trigger definitions

Trigger rules



Application notes: Triggering concept for GigE camera (advanced)

For a more detailed description of the trigger concept for advanced users and special scenarios, see www.alliedvision.com/en/support/faqs-application-notes:

- Triggering concept for Allied Vision GigE cameras
 - Using ITR and IWR mode to maximize the frame rate of Goldeye cameras.
1. The **user trigger pulse width** should be at least three times the width of the trigger latency.
 2. The **end of exposure** always triggers the next Readout.
 3. The **end of exposure** must always end after the current Readout.
 4. The **start of exposure** must always correspond with the Interline Time if Readout is true.
 5. **Exposure start delay** is equal to the Readout time less the Registered Exposure Time.

Trigger latencies and jitter

Goldeye models except G/CL-x30 TEC1

Triggering during the idle state

To minimize the trigger latency and trigger jitter, the user trigger signal should be applied when Imaging is false and Idle is true. [Table 198](#) shows possible values:

Trigger latency on LineIn1 (TTL)	0.6 μ s (max.)
Trigger latency on LineIn2 (opto-isolated)	3.5 μ s (max.)
Trigger jitter on both LineIn1 and LineIn2	1 pixel (max.)

Table 198: Trigger timings during the idle state (except G/CL-x30 TEC1)

Triggering during the readout state

To achieve the fastest triggering cycle time during which the camera image sensor is exposing and reading out simultaneously, the User trigger signal should be applied as soon as a valid trigger Ready is detected. [Table 199](#) shows possible values:

Trigger latency on LineIn1 (TTL)	1 line (max.) + 0.6 μ s (max.)
Trigger latency on LineIn2 (opto-isolated)	1 line (max.) + 3.5 μ s (max.)
Trigger jitter on both LineIn1 and LineIn2	1 pixel (max.)

Table 199: Trigger timings during the readout state (except G/CL-x30 TEC1)

Goldeye G/CL-x30 TEC1 models

Trigger timings during the idle state and readout state are the same for these models.

Trigger timings for Goldeye G/CL-030 TEC1

Values in [Table 200](#):

- Line time for Mono8: 7.7 μs
- Line time for Mono12: 13.25 μs
- Delays can last for 1 line or 2 lines, depending on the conditions.
- +0.6 μs maximum offset = 0 μs to +0.6 μs .

Parameter	Description Lines + offset	Value ranges	
		Mono8	Mono12
Trigger latency on LineIn1 (TTL)	2 lines (max.) +0.6 μs (max.)	7.7 μs to 16.0 μs	13.25 μs to 27.1 μs
Trigger latency on LineIn2 (opto-isolated)	2 lines (max.) +3.5 μs (max.)	7.7 μs to 18.9 μs	13.25 μs to 30.0 μs
Trigger jitter on both LineIn1 and LineIn2	1 line (max.)	7.7 μs	13.25 μs

Table 200: Trigger timings for Goldeye G/CL-030 TEC1

Trigger timings for Goldeye G/CL-130 TEC1

Values in [Table 201](#):

- Line time for Mono8: 10.05 μs
- Line time for Mono12: 13.25 μs
- Delays can last for 1 line or 2 lines, depending on the conditions.
- +0.6 μs maximum offset = 0 μs to +0.6 μs .

Parameter	Description Lines + offset	Value ranges	
		Mono8	Mono12
Trigger latency on LineIn1 (TTL)	2 lines (max.) +0.6 μs (max.)	10.05 μs to 20.7 μs	13.25 μs to 27.1 μs
Trigger latency on LineIn2 (opto-isolated)	2 lines (max.) +3.5 μs (max.)	10.05 μs to 23.6 μs	13.25 μs to 30.0 μs
Trigger jitter on both LineIn1 and LineIn2	1 line (max.)	10.05 μs	13.25 μs

Table 201: Trigger timings for Goldeye G/CL-130 TEC1

Image data flow

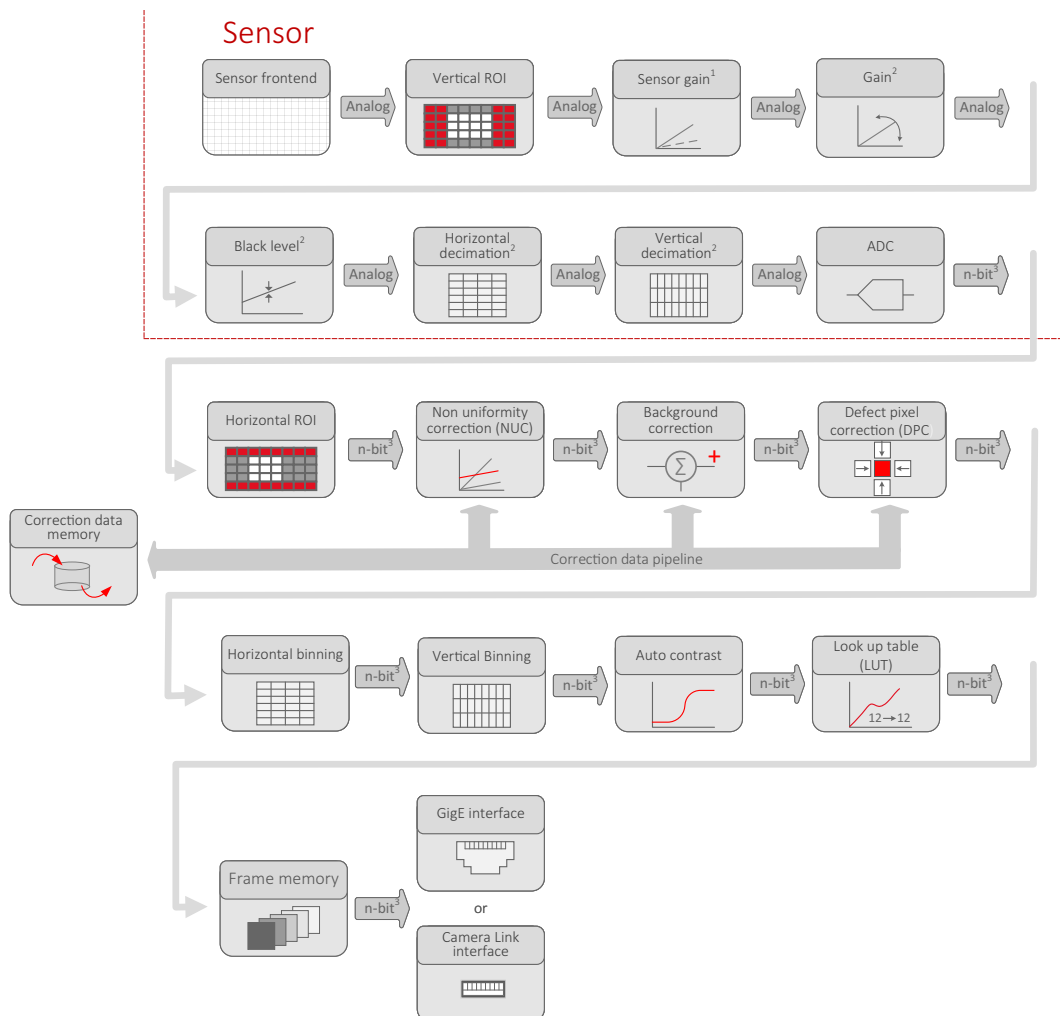


This chapter includes:

Image data flow.....	260
Image corrections	261
Image processing	263
Automatic image control	265
Other image controls	272
Value changes by feature interdependencies	274

Image data flow

The following block diagram illustrates the flow of image data within the camera. The features of the individual modules are described in detail on the following pages. Note that, depending on firmware version, not all of the modules and features shown in [Figure 87](#) are available.



¹ All Goldeye G/CL models, except for G/CL-030 and G/CL-130

² Goldeye G/CL-030 and G/CL-130 only

³ Model dependent: See ADC bit depths in the Specifications chapter.

Figure 87: Goldeye G/CL image data flow

The Goldeye G/CL contains a chain of image processing modules, called the **image processing chain**. The first module (called **Analog Gain**) receives the source signal from the sensor. Each of the subsequent modules receives the output data of the previous module as input.

The behavior of each module is configurable by software via specific features. That way, it is possible to set parameters or operation modes for each module.

Each module passes on the data to the succeeding module. The output of the last module is stored in the frame memory, which in turn passes it on to the GigE or Camera Link interface for output.

Image corrections

The corrections applied to the image are of special relevance within the Goldeye camera. They are applied by the following modules.

- Non-uniformity correction (NUC)
- Background correction (BC)
- Defect pixel correction (DPC)

The corrections need special correction data that must be provided prior to operating the image processing chain.

Find detailed descriptions of the features and the functionality associated with them in the Goldeye G/CL Features Reference.

Determination and storage of correction data

For each individual camera, specific correction data is determined during the manufacturing process. All necessary correction data is stored within the camera's non-volatile flash memory ex works.

During camera start-up, the available correction data is copied from the flash memory onto the correction data memory for real time access.

From the correction data memory, the correction data is transferred to the individual correction modules. The correction data transfer is synchronized with the transfer of image data from the sensor. A correction module may also write back to the correction data memory, depending on its functionality.

The IR specific image correction modules are described in detail in the following sections.

Non-uniformity correction

Every pixel of an InGaAs sensor possesses its individual amount of dark signal (dark signal non-uniformity, DSNU) and an individual sensitivity for light (photo response non-uniformity, PRNU). Thus, while exposing, each sensor creates a specific, non-uniform underlying pattern. This pattern can be compensated with help of the non-uniformity correction.

To correct the non-uniformity, correction values for gain and offset of each pixel are determined based on multiple reference images and applied to the actual image. Ideally, after correction no image structure is recognizable.

However, there are various conditions that influence the image quality:

- Analog gain setting
- Sensor temperature
- Exposure time

These conditions need corresponding correction data for best correction quality. Thus, the camera contains several data sets for a range of conditions.

Because each correction data set is applicable under certain conditions only, the relevant conditions are stored with the data set.

An automated data set selection feature keeps track of the conditions. If any of the parameters changes, the most suitable correction data set is selected automatically. No additional user interaction is necessary.

Set to **Continuous**, this function updates the data set selection for every frame.

Background correction

The background correction is used as an additional correction, based on actual operating conditions, to optimize the result of the NUC.

The correction data for the NUC is factory-provided and based on specific conditions: exposure time, sensor temperature, and sensor gain setting. If the conditions during camera operation are different, non-uniformity correction does not work at best performance.

To compensate for remaining non-uniformity, the live image is corrected with a previously recorded dark image. This image is subtracted from the pre-corrected image to reduce the fixed pattern noise.

To adapt the BC to local conditions, customers acquire their own volatile correction image. It is also possible to shift the offset individually, if needed.

Defect pixel correction

The pixels of InGaAs sensors may show abnormal behavior in one or more of the three characteristics:

- Dark offset
- Photo response
- Dynamic noise

The result is an excessively reduced dynamic range. These pixels are counted as defect pixels.

The value of each defect pixel is replaced by an interpolated value from non-defect neighboring pixels. This way, the image appears without disturbing bright or dark pixels.

Image processing



Feature descriptions

For detailed features descriptions, see the Goldeye G/CL Features Reference at www.alliedvision.com/en/support/technical-documentation/goldeye-gcl-documentation.

Black level

BlackLevel1 is available only on **Goldeye G/CL-030 and G/CL-130**. **BlackLevel1** controls the DC offset applied to the video signal.

Gain

Goldeye cameras use two different concepts to control the gain level.

Feature	Location	Available values	Unit	Supported models
Gain	Camera electronics	0 to 18 dB (float)	Dezibel	Goldeye G/CL-030, G/CL-130
SensorGain	Sensor	1 or 2 gain steps	Factor	All other Goldeye models

Table 202:

Look-up table

The use of a look-up table allows any mapping function in the form

output = f(input)

to be applied to the pixel values at runtime.

The factory setting of Goldeye cameras includes eight preloaded LUT files.

- Four pre-configured LUT files are available. Those files are 14-bit LSB aligned and are named from LUT_000 to LUT_003. The pre-configured files are not changeable in user mode.
- Four user-configurable LUT files are available. Those files are empty and are named from LUT_User_000 to LUT_User_003.

Loading a dataset files into the volatile LUT memory

1. Select the file to be loaded with `LUTDatasetSelector`
2. Select the target LUT with `LUTSelector`
3. Call the command `LUTDatasetLoad`

The LUT will not be loaded if an empty dataset file has been selected.

To avoid temporary invalid image data, we recommend you to do one of the following before executing `LUTDatasetLoad`:

- Stop image acquisition
- Set `LUTEnable` to *False*.

Saving a LUT from volatile memory to file

1. Select the LUT to be saved with `LUTSelector`
2. Select the target file with `LUTDatasetSelector`
3. Call the command `LUTDatasetSave`.

To avoid temporary invalid image data, we recommend you to do one of the following before changing the `LUTValue` at several index positions of a LUT:

- Stop image acquisition
- Set `LUTEnable` to *False*.

Binning

Binning reduces the image resolution by merging the gray values of adjacent pixels, but based on the full ROI.

Different binning modes:

- *Sum* increases the sensitivity.
- *Average* can be used to reduce noise.

In all Goldeye cameras, digital binning is applied after the Background Correction. Background Correction can be used to reduce the background level to enable higher binning values.

Decimation

Decimation reduces the image resolution by omitting pixels, but based on the full ROI.

Different decimation modes:

- *Discard* ignores the pixel values of omitted pixels.
- *Average* can be used to reduce noise.

In all Goldeye cameras, decimation is applied after binning.

Automatic image control

Definitions

To properly explain the working principle of automatic image control, the definition of several special terms is clarified first. Refer also to [Figure 88 on page 266](#).

Accounted pixels

Once the outliers are discarded from the calculation, all pixels holding gray values in the middle of the image histogram constitute the Accounted pixels.

Mean value

The average gray value of all accounted pixels. This means that within the accounted pixels range of the image histogram, the same number of accounted pixels is situated to either side of the mean value.

Minimum and maximum

The smallest and the largest gray value of pixels accepted within the number of accounted pixels.

Outliers

Outliers are defined as the brightest and darkest pixels in an image. Usually they originate from defect pixels of the sensor itself.

Small, very bright, or very dark objects in the observed scene can also create outliers. Because very small objects usually do not carry much useful scene information, they can be treated like outliers as well.

In an image histogram, the outliers show on the far-left side (dark pixels) and on the far-right side (bright pixels).

Eliminating outliers

The calculations of all auto level control features, including the automatic exposure operation, may be influenced by outliers in an unwanted way.

The auto level control settings allow for discarding outliers and thus preventing their undesired impact on the auto level control adjustments.

- To exclude the outliers on the dark side of the histogram (left), use the `AutoModeOutliersDark` feature. To include all dark pixels into the calculations, set the feature to `0`.

- To exclude the outliers on the bright side of the histogram (right), use the `AutoModeOutliersBright` feature. To include all bright pixels into the calculations, set the feature to `0`.

The values for both exclusion areas do not need to be equal.

For all the calculations concerning automatic image control, only the pixels not excluded by the outlier settings are considered.

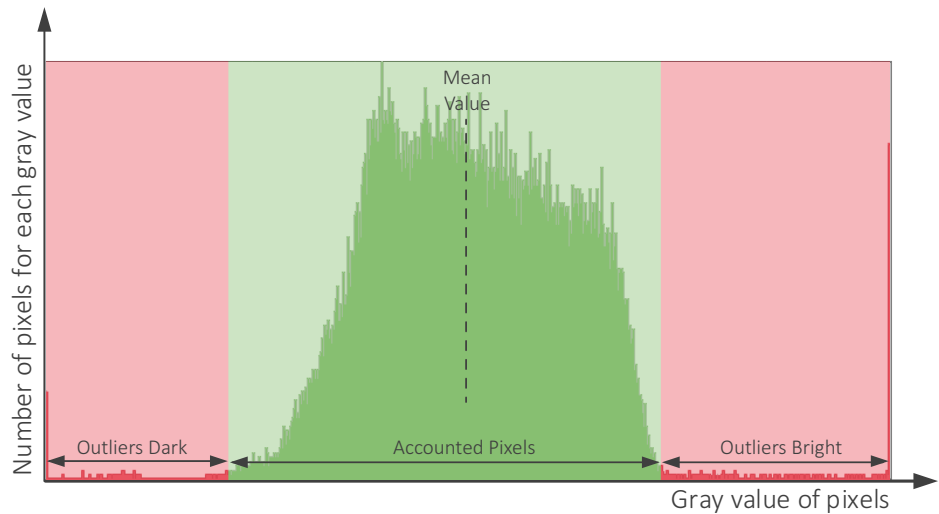


Figure 88: Image histogram showing the ranges of accounted pixels (green), the ranges of the outliers (red) and the mean value.

Selecting an ROI

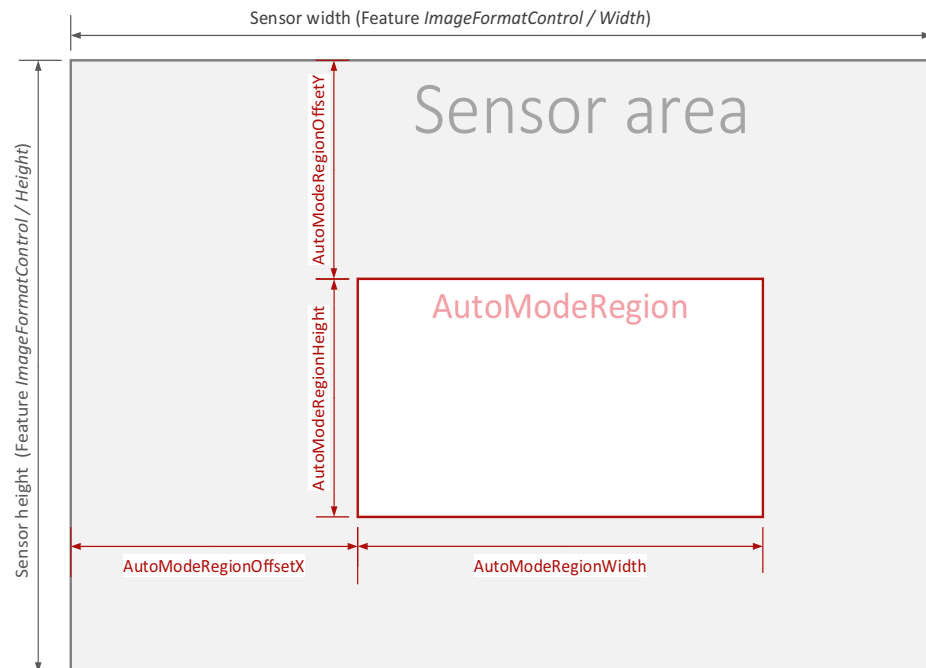


Figure 89: AutoModeRegion features

As for any other auto mode feature, you can use the **AutoModeRegion** feature and its sub-features to define the ROI. You may determine the automatic image control based on the whole sensor area or based on a defined ROI.

Marking the defined ROI

It is possible to mark the defined ROI by dimming the area outside the ROI, so the selected area stands out brighter. To do so, set the feature **AutoModeRegionDimOutside** to *On*.



Figure 90: Example for the effect of AutoModeRegionDimOutside. Left: without dimming applied, right: with dimming applied to the outside area.

Automatic exposure control

The exposure of the Goldeye G/CL can be adjusted automatically by applying the relevant auto exposure settings. The adjustment is based on the present signal values of pixels within the image.

By default, the automatic exposure control is switched off, however, it is possible to have the automatic exposure control run in several ways:

- Run it continuously.
- Run it until the required target value is reached, then stop it.

Selecting an algorithm

To automatically determine the optimal exposure of the sensor, a few statistical values need to be calculated first: a mean (average) value, minimum and maximum values. These values are calculated with the help of the histogram of the last captured image.

The camera provides two different behaviors to control auto exposure. Use the settings of the `ExposureAutoAlg` feature to select the desired behavior.

Operating the automatic exposure based on the mean value

Set the `ExposureAutoAlg` feature to *Mean*, and set the `ExposureAutoTarget` feature to the desired value.

In this case, the automatic exposure control loop is aimed at keeping the mean value of the image histogram equal to the value set by `ExposureAutoTarget`.

The value for `ExposureAutoTarget` needs to be specified in percentage from the full dynamic range, including the outliers' areas. Higher values of `ExposureAutoTarget` will cause longer exposure times, thus result in brighter images, lower values cause shorter exposure times, thus result in darker images.

If this value is set to 40 percent, then 40 percent of all pixels of the image are darker and 60 percent of all pixels of the image are brighter than this value.

Operating the automatic exposure based on the full range of values

Set the `ExposureAutoAlg` feature to *FitRange*. The `ExposureAutoTarget` feature has no influence in this case.

In this case, the automatic exposure control loop regulates the exposure in such a way that the maximum value of the image histogram is kept close to the upper end of the dynamic range of the camera.

Tolerance

If the automatic exposure is calculated for every frame (**ExposureAuto** = *Continuous*), most likely there are minuscule adjustments to be applied to each frame. These adjustments may cause certain, though usually insignificant, variations of the image brightness between consecutive frames.

To prevent these adjustments, the feature **ExposureAutoAdjustTo1** can be used.

The exposure is adjusted only if the current regulated value deviates from the ideal target value by more than a given percentage.

Slowing down the auto exposure adjustments

By default, the automatic exposure adjustments run at 20% speed¹. Using the **ExposureAutoRate** feature, you can increase or decrease the automatic exposure adjustments to a fraction of the maximum possible speed. This can be useful for some applications and sensor settings, to prevent the auto exposure control loop from occurring oscillations.

¹20% as default applies from firmware V02.22.X. Previous versions have this parameter set to 100%.

Contrast control

By default, Contrast is disabled. Contrast can be set manually by the user or automatically.

Manual mode

- Values for `ContrastUserInputMin` / `...Max` are set by the user.
- `ContrastAuto=UserWholeImage` and `ContrastAuto=UserModeAutoRegion` are available.

Automatic mode

- Values for `ContrastUserInputMin` / `...Max` are obtained from an internal histogram that is based on the current image data.
- `ContrastAuto=WholeImage` and `ContrastAuto=AutoModeRegion` are available.

Setting Contrast for the whole image or for a ROI

Automatic contrast control uses the input range defined by `ContrastUserInputMin` and `ContrastUserInputMax`. It can be applied:

- To the whole image. The input range of the contrast is automatically determined from the image data.
- To a defined ROI. To apply the automatic contrast to a ROI, use the `AutoModeRegion` features to define the area.



Figure 91: Left: auto contrast applied to ROI, right: auto contrast applied to the whole image.

This formula describes the pixel transfer function to calculate the contrast:

$$\text{pixel_tmp} = \frac{(\text{pixel_in} - \text{min_in}) \times (\text{ContrastAutoIntensityMax} - \text{ContrastAutoIntensityMin})}{(\text{max_in} - \text{min_in})} + \text{ContrastAutoIntensityMin}$$

Clipping:

$$\text{pixel_out} = \max(\min(\text{pixel_tmp}, \text{pixeldata_max}), 0)$$

Where

- `min_in` and `max_in` are defined by `ContrastUserInputMin` and `ContrastUserMax` in `UserWholeImage` and `UserAutoRegionMode`. In `WholeImage` and `AutoModeRegionMode`, `min_in` and `max_in` are calculated automatically from the image data.
- `pixel_in` and `pixel_out` refer to the same pixel location in the input and output image of the contrast calculation.

Controlling the intensity of contrast

Using the `ContrastAutoIntensity` features, it is possible to adjust the intensity of contrast applied. Those features represent an upper and lower threshold of contrast intensity. In combination, they act as follows:

- If both features are set to higher values, the affected area of the image turns brighter.
- If both features are set to lower values, the affected area of the image turns darker.
- If the difference between the set values for both features increases, contrast intensity increases (the black and white spots within the affected area are increasing in number).
- If the difference between the set values for both images decreases, contrast intensity decreases (the gray spots within the affected area are increasing in number).
- The image is turned into its negative if `ContrastAutoIntensityMin` is set to a higher value than `ContrastAutoIntensityMax`.



Figure 92: Left: Auto contrast applied to a ROI in the usual way, right: auto contrast with the `ContrastAutoIntensity` values reversed.

Other image controls

Frame memory

Goldeye cameras capture and transmit each image in consecutive steps. The image is taken, read out from the sensor, digitized, and transmitted to the host computer over the connection used, either Camera Link or Gigabit Ethernet.

For buffering the frames before transmission, a certain amount of RAM is available. The number of frames in the frame memory depends on the defined ROI and the pixel format. [Table 203](#) shows the memory size and the number of frames (StreamHoldCapacity) that can be stored by each model.

Model	Memory size and frames stored	Pixel format and resolution
G/CL-008	256 MB memory: 1524 frames	Mono14, full resolution
G/CL-030	256 MB memory: 370 frames	Mono12, full resolution
G/CL-032	256 MB memory: 397 frames	Mono14, full resolution
G/CL-033	256 MB memory: 392 frames	Mono14, full resolution
G/CL-034	256 MB memory: 392 frames	Mono14, full resolution
G/CL-130	256 MB memory: 95 frames	Mono12, full resolution

Table 203: Typical image memory size

Trigger-induced distortion correction

Background

The trigger-induced distortion (TID) is an image artifact that originates from an influence of the external trigger. The TID occurs only if the two following conditions are met:

- The camera runs in IWR mode.
- The time between the readout of two consecutive frames is smaller than the sum of readout time and exposure time.



Application note: Using ITR and IWR mode

For details how to use ITR and IWR mode in Goldeye Cameras an application note Using ITR and IWR mode to maximize the frame rate of Goldeye Cameras is available online:

www.alliedvision.com/en/support/technical-documentation/goldeye-gcl-documentation

The TID can cause a vertical line glitch and a horizontal step in brightness. The magnitude of both depends on the camera model and the selected **SensorGain**.

Controlling the trigger-induced distortion

You can control both artifacts by the `TIDC_Mode` feature. It allows to correct both distortions at the same time, or separately. The correction for both distortions is switched on by default. You find the feature under `DeviceControl1 > SensorBoardSettings > TriggerInducedDistortionCorrection`.

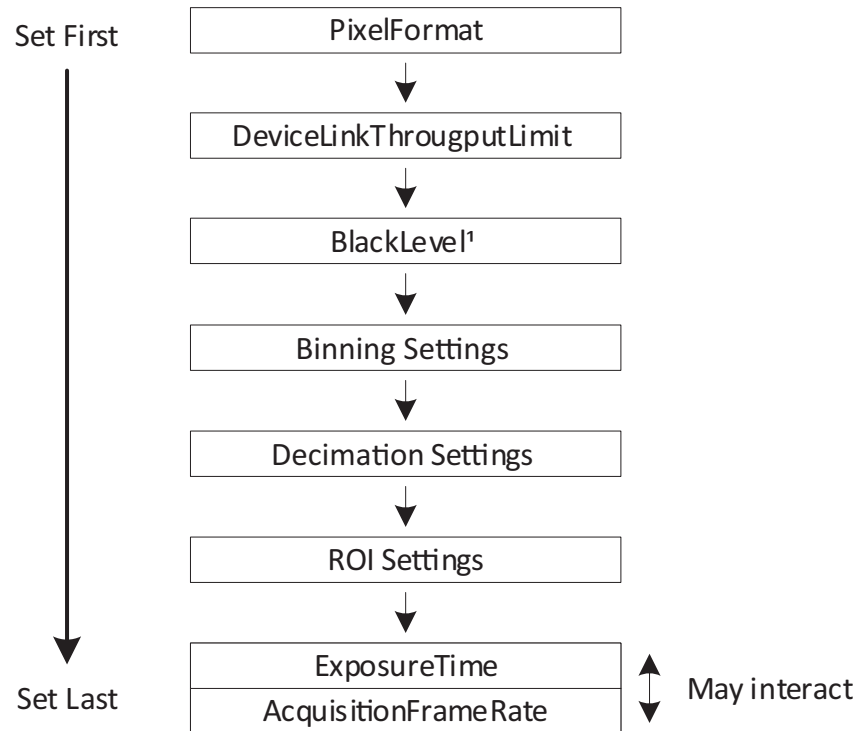
For technical reasons the line glitch correction is disabled or enabled automatically depending on the image width. For details see [Table 204](#).

	G/CL-008	G/CL-032	G/CL-033	C/CL-034
When decreasing image width, the line glitch correction is disabled from this ROI width on:	152	302	288	288
When increasing image width, the line glitch correction is enabled from this ROI width on:	154	304	290	290

Table 204: Activation and deactivation of the TIDC depending on ROI width

Value changes by feature interdependencies

The conversion between time and clock cycles affects control values. Features for pixel format, bandwidth, ROI, exposure time, and triggering are related to each other. Changing values for one feature can change values for another feature. For example, frame rates can be reduced when `PixelFormat` is changed subsequently. [Figure 93](#) shows the interdependencies.



¹ Goldeye G/CL-030 TEC1 and G/CL-130 TEC1 only

Figure 93: Interdependencies between features

Effects for the interdependent features

Changing one control's value affects other control's values, such as:

If: `Height` value is changed.

Then: Other values may be affected, such as for `AcquisitionFrameRate` and `ExposureTime`.

We recommend you to consider:

- The more features you adjust, the more current values deviate from previously set values.
- The same effects that apply to `ExposureTime`, also apply to `AutoExposure`.
- To avoid readjustments, apply settings in the order shown in [Figure 93](#).

Temperature control



This chapter includes:

How temperature affects the sensor.....	276
TEC1, TEC2, TECless	276
Warm-up period with TEC1 and TEC2	278
Additional heating for selected models.....	278
Neutralization of the temperature influence	280
Operational statuses	287
Features for temperature control	288


CAUTION
Risk of burns

The camera housing may heat up during operation. Touching the camera with bare hands may lead to injuries.

Wear protective gloves when touching a heated-up camera during operation. Also, use proper heat dissipation methods to keep the camera as cool as possible.

How temperature affects the sensor

During operation, the electronics heat up the camera interior and housing. InGaAs sensors are affected by temperature in two ways:

1. Absolute level of sensor temperature

An increase in sensor temperature reduces the image quality, because:

- An increased sensor temperature increases the dark current of the FPA's photo-diodes, thus decreasing the dynamic range of the camera. As a rule of thumb, a temperature increase of 8 Kelvin doubles the dark current. The dark current produces additional offset and noise, especially at longer exposure times, which causes a decrease in image contrast.
- The spectral sensitivity may change: A difference in temperature may cause the sensitivity curve to drift or to become slightly narrower.
- Certain components of the InGaAs sensor are prone to temperature drift. A drop in temperature causes a shift of the spectral sensitivity of 25 nanometers toward the lower wavelengths.

2. Fluctuation of sensor temperature

If the temperature influence on the sensor remains constant, the image quality is high. To achieve this, TEC1 and TEC2 stabilize the sensor temperature at one of several defined temperature setpoints.

For the Goldeye stabilized and cooled models, three or four setpoints are defined, depending on the camera model.

To optimize image quality, the temperature can be stabilized by:

- Temperature control of the sensor,
- Neutralization of the temperature influence.

This chapter describes how temperature control is realized on Goldeye cameras.

TEC1, TEC2, TECless

Model suffix	Cooling type	Reference
TEC1	Single-stage thermo-electric cooling	277
TEC2	Dual-stage thermo-electric cooling	277
TECless	Passive camera cooling	277

Table 205: Temperature control types overview

TEC1

Single-stage thermo-electric cooling (TEC1) is an active cooling technology that keeps the sensor at a stable temperature that is as low as possible. The specially designed Goldeye housing dissipates the heat build-up inside the camera and radiates the heat into the environment

TEC2

Dual-stage thermo-electric cooling (TEC2) allows you to operate the sensor at a temperature well below ambient temperature. This allows for keeping a higher image quality even with longer exposure times. However, with low sensor temperatures and a larger difference to ambient temperatures, condensation on the sensor is likely to occur. To avoid condensation, every TEC2-cooled sensor is placed inside a nitrogen-filled chamber.

In addition to temperature stabilization, Goldeye Cool cameras are equipped with a fan to actively dissipate the heat that builds up internally.

Note that the housing size design is independent from the implemented thermo-electric cooling. A Cool model does not necessarily have TEC2.

See [Neutralization of the temperature influence](#) on page 280 for a detailed explanation.

TECless

Passive cooling (TECless) provides no active temperature stabilization for the sensor. TECless models are especially suitable for environments with a low and stable ambient temperature, or in application scenarios where the influence of temperature on image quality is limited, for example, at low exposure times below 10 milliseconds.

Recommended environment for Goldeye TECless

Goldeye TECless models are not equipped with a TEC element, hence the camera does not possess temperature setpoints and cannot stabilize the sensor temperature. Therefore, TECless models are recommended to be run in an environment with stable temperature and humidity.

Their non-uniformity correction sets are calibrated for a sensor temperature of +45 degrees Celsius, because this is the sensor temperature that most likely is to be expected when the camera is operated at an ambient temperature of 23 degrees Celsius and a relative humidity of 40 percent.

Warm-up period with TEC1 and TEC2

After switching on the camera, the TEC stabilizes the sensor temperature at the default setpoint, if possible. Optimum image quality is reached within one minute.

Goldeye G/CL-008, G/CL-030, and G/CL-130 models are also able to heat up the sensor to any temperature within the operating temperature range. See [Additional heating for selected models](#) on page 278.

A red flashing temperature status LED indicates the warm-up period.
A steady green temperature status LED indicates the **Stable** temperature state.



Use a heat sink to reduce camera temperature

To improve the cooling capability of the Goldeye stabilized and TECless models, a heat sink set is available that can be mounted to the camera by the customer. Up to four heat sinks can be fitted to one camera.

The heat sink set is available from Allied Vision, product code 1068300.



Application note: Usage of Heat Sinks with Goldeye Cameras

This application note explains the handling of heat sinks with Goldeye cameras and lists additional methods to improve camera cooling:

www.alliedvision.com/en/support/technical-documentation/goldeye-gcl-documentation

Additional heating for selected models

The TEC1 element of a camera usually can only cool the sensor. In addition to that, **Goldeye G/CL-008, G/CL-030, and G/CL-130** models use the TEC1 element to heat the sensor. This ability has the following advantages:

- The camera can operate at a sensor temperature that is higher than the ambient or housing temperature.
- When used for low-temperature applications, if the ambient temperature is far below +20 degrees Celsius, or if the default temperature setpoint has been set high above the ambient temperature, the warm-up period is considerably shortened. Even in ambient temperatures below 0 degrees Celsius, the camera reaches a stable temperature within one minute.
- The heating capability prevents any variation of the sensitivity curve caused by fluctuation of temperature.

Activating the heating of Goldeye G models

After activating the heating of **Goldeye G-008, G-030, and G-130**, switching down to a setpoint below the selected setpoint is disabled. The ability to switch to a higher setpoint depends on the `SensorTemperatureSetpointMode` feature:

- If set to *Auto*, the camera is able to switch to a higher setpoint, if it exists.
- If set to *Manual*, the camera is not able to switch to any other setpoint.

To activate the heating of the camera, follow these steps:

Step 1: Set the `SensorTemperatureTargetSetpoint` feature to the desired target setpoint.

Step 2: Set the `SensorTemperatureControlMode` feature to *TemperatureControlTarget*.

Activating the heating of the CL models

After activating the heating of **Goldeye CL-008, CL-030, and CL-130**, switching down to a setpoint below the selected setpoint is disabled. The ability to switch to a higher setpoint, depends on the `RegSensorTemperatureSetpointMode` register:

- If set to *Auto*, the camera is able to switch to a higher setpoint, if it exists.
- If set to *Manual*, the camera is not able to switch to any other setpoint.

To activate the heating of the camera, follow these steps:

Step 1: Set the `RegSensorTemperatureTargetSetpoint` register to the desired target setpoint.

Step 2: Set the `RegSensorTemperatureControlMode` register to *TemperatureControlTarget*.



Reduce power consumption of the camera

Reducing the camera's operating temperature can reduce its typical power consumption significantly for any given temperature setpoint.

The TEC works more efficiently if the temperature difference between the cool side and the warm side of the TEC is decreased.



Goldeye Cool variants: Do not cover the fan outlet

Always ensure that a free flow of air from the fan outlet on the camera top is possible.

Obstructing the air flow may result in an unexpected shutdown of the camera.

Neutralization of the temperature influence

To control the temperature influence on the non-uniformity, the TEC element keeps the sensor temperature at predefined setpoints, preferably the default setpoint.

Temperature setpoints

A set of correction data is applied to the output signal. This correction data set is predetermined for each camera individually and is optimized for the default temperature setpoint. The correction data set is uploaded into the camera during manufacturing.

Models	Setpoint 1	Setpoint 2	Setpoint 3	Setpoint 4
G/CL-008 TEC1	+20 °C ¹	(Default) +25 °C	+35 °C	+50 °C
G/CL-008 Cool TEC1	-5 °C	(Default) +5 °C	+10 °C	+20 °C
G/CL-030 TEC1	+5 °C	(Default) +20 °C	+35 °C	+50 °C
G/CL-032 TEC1	+5 °C	(Default) +20 °C	+35 °C	+50 °C
G/CL-032 Cool TEC2	(Default) -20 °C	-5 °C	+10 °C	(N/A)
G/CL-033 TEC1	+5 °C	(Default) +20 °C	+35 °C	+50 °C
G/CL-033 TECless	(Not applicable to TECless models.)			
G/CL-034 TEC1	+5 °C	(Default) +20 °C	+35 °C	+50 °C
G/CL-034 XSWIR 1.9/2.2 TEC2	(Default) -30 °C	-20 °C	-10 °C	0 °C
G/CL-130 TEC1	+5 °C	(Default) +20 °C	+35 °C	+50 °C

¹ The first temperature setpoint may be set lower than +20 °C. However, if the sensor temperature is lower than the ambient temperature, especially in humid environments, condensation may occur.

Table 206: Defined temperature setpoints for Goldeye cameras

Achievable temperature difference

The cooling power and heat dissipation capability of the Goldeye is limited. Therefore, the temperature difference (ΔT) achievable by the TEC is limited as well. However, the TEC is capable of achieving a minimum ΔT in all situations. [Table 207](#) displays the achievable ΔT maintained, and the power consumption necessary to achieve that, for each Goldeye TEC model.

The realistically achievable ΔT depends on the environmental conditions. It also depends on the Peltier element and possible heat sinks and heat sources. Heat sources are in particular the camera electronics and the Peltier element itself.

Due to changing environmental conditions, it is not always necessary for the TEC element to maintain the maximum achievable ΔT . On the other hand, particular environmental conditions allow the TEC element to achieve an even higher ΔT .

Note also that the TEC element cools the sensor but dissipates the removed heat into the camera. Therefore, we can indicate a maximum power at the TEC element that removes the heat from the camera under normal operating conditions.

Above that threshold (at more TEC power) the camera overheats due to the power consumption of the TEC element. The value is optimally selected in a critical range.

Models	ΔT achievable between housing and FPA	Max. power to reach ΔT
G/CL-008 TEC1	20 K	< 5.5 W
G/CL-008 Cool TEC1	30 K	< 5.5 W
G/CL-030 TEC1	25 K	< 5.5 W
G/CL-032 TEC1	30 K	< 5.5 W
G/CL-032 Cool TEC2	60 K	< 12 W
G/CL-033 TEC1	25 K	< 4 W
G/CL-034 TEC1	25 K	< 4 W
G/CL-034 XSWIR 1.9/2.2 TEC2	60 K	< 12 W
G/CL-130 TEC1	25 K	< 5.5 W

Table 207: Cooling limits for Goldeye TEC1 and TEC2 models

Temperature measurement

To control and regulate the internal camera temperature, three temperature sensors are available within the camera. Use the `DeviceTemperatureSelector` feature to select a temperature sensor, as listed in Table 208. The temperature of the selected sensor is displayed with the `DeviceTemperature` feature.

Possible values	Description
<code>Sensor</code>	(Default) Temperature sensor beside the camera sensor.
<code>Sensorboard</code>	Temperature sensor on the sensor board.
<code>Mainboard</code>	Temperature sensor on the main board.

Table 208: DeviceTemperatureSelector values

Switching temperature setpoints



Only the sensor board is switched off

- If the internal temperature exceeds the Alert limit, only the sensor and the cooling is shut down.
- The camera is not powered down.
- You may bring back the camera to normal operation after it is cooled down sufficiently.
- To do so, switch the power supply off and switch it on again.

The Goldeye temperature control allows to switch between setpoints manually or automatically. If set to *Auto*, the TEC switches up or down to the next setpoint, based on the temperature inside the camera. Note that the TEC does not switch up or down immediately after the next setpoint is reached. The switch only takes place when the temperature has exceeded the setpoint by a few degrees. TECless models do not switch setpoints.

Switching to the higher setpoint

After powering up the camera, at first the camera temperature rises. This is due to heat generation inside the camera, and possibly caused by warm ambient temperature. To keep the sensor temperature constant, the TEC keeps it at a predefined temperature setpoint (see [Table 206 on page 280](#)).

The TEC keeps the sensor temperature as long as the difference between sensor temperature and housing temperature does not exceed the predefined ΔT (see [Table 207 on page 281](#)).

If the housing temperature keeps rising, the difference between sensor- and housing temperature exceeds the predefined ΔT . The temperature control is no longer able to keep the sensor temperature at the current setpoint. The TEC switches up to the next higher setpoint. The existing NUC data, that is optimized for the default setpoint conditions, is still applied at other setpoints.

Example

The Peltier element of the Goldeye G-033 and CL-033 TEC1 can achieve a ΔT of 25 kelvin. Its default temperature setpoint is set to +20 degrees Celsius.

If the camera is switched on at an ambient temperature of +8 degrees Celsius, the TEC cannot cool down the sensor to the default setpoint, because the ambient temperature is below the default setpoint. Thus, the TEC cools down the sensor to setpoint 1, which is at +5 degrees Celsius. (See [Figure 94](#) for an illustration of this example. Note for better understanding: the housing temperature profile is shown in a simplified way that covers the whole temperature range.)

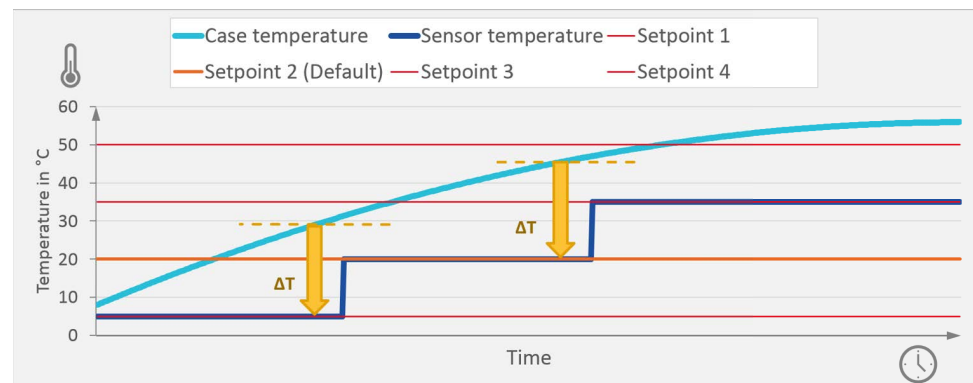


Figure 94: Schematic figure of setpoint switching upwards

The camera then heats up, and the temperature passes setpoint 2. Later it reaches +30 degrees Celsius, the point that is 25 kelvin above the current setpoint. If the camera temperature continues to rise, the TEC is no longer able to maintain the set temperature. No later than at this point in time, the TEC switches to the next higher setpoint, which in this case is the setpoint 2 at +20 degrees Celsius.

Switching to the lower setpoint

When the ambient temperature decreases, this causes the temperature of the camera to decrease as well. With further temperature decrease, the sensor temperature can fall below the current setpoint temperature. The TEC might be no longer required to cool the sensor to the adjusted temperature setpoint. If the sensor temperature no longer depends on the TEC cooling only, it becomes unstable.

To avoid temperature instability, the TEC switches down to the next setpoint, before the cooling power is reduced to the critical range at the current sensor temperature.

To keep the current sensor temperature as long as possible, the TEC does not switch down immediately when the Min. ΔT to the next temperature setpoint is reached. These points are marked in green in [Figure 95](#). Note for better understanding the housing temperature profile is shown in a simplified way that covers the whole temperature range.

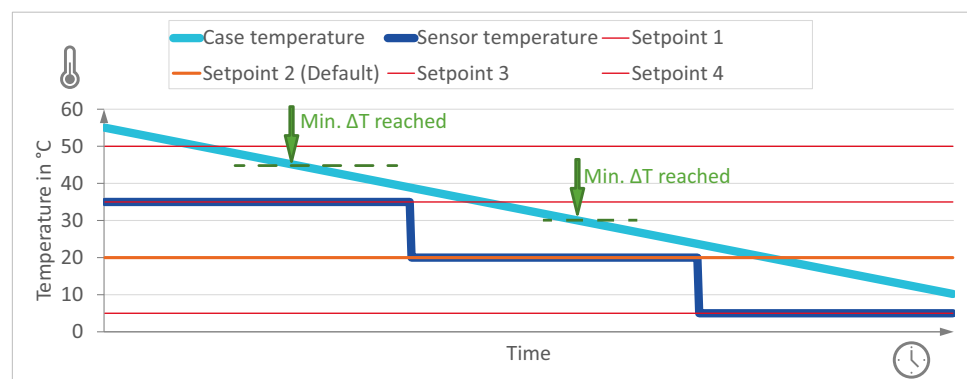


Figure 95: Schematic figure of setpoint switching downwards

Heating and cooling the sensor (G-008 and CL-008 only)

As a special case, Goldeye G-008 and CL-008 models can actively heat up the sensor, enabling the TEC to operate at a sensor temperature that is higher than the housing or ambient temperature.

When heating is enabled, the TEC does not need to switch down to a temperature setpoint that is below the current setpoint. As long as the housing temperature is below the sensor temperature, the TEC keeps heating the sensor.

If required to keep the sensor temperature stable, the TEC automatically switches from heating to cooling, or vice versa.

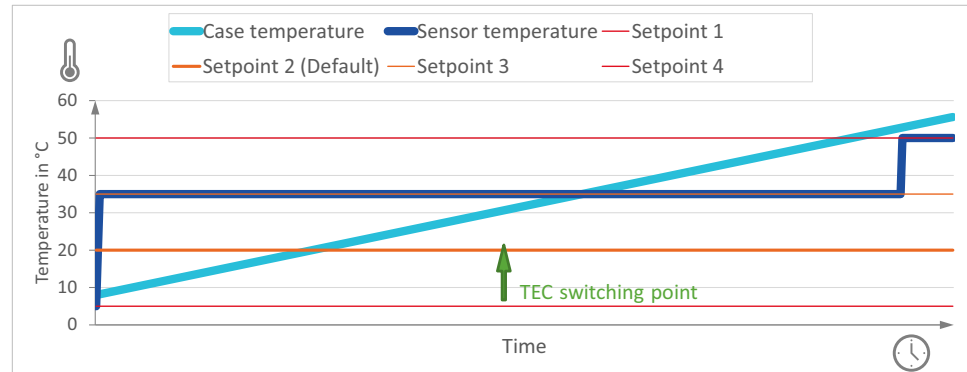


Figure 96: Schematic figure of TEC heating and cooling

During operation, as long as the TEC does not actively cool the sensor, the sensor temperature usually is higher than the housing temperature. So, even if the sensor temperature is below the current temperature setpoint, the TEC might still be required to cool the sensor. The green arrow in Figure 96 shows this situation. Note for better understanding the housing temperature profile is shown in a simplified way that covers the whole temperature range.

The ability to switch to a higher setpoint, however, depends on the feature **(Reg)SensorTemperatureSetpointMode**:

- Set to *Auto*, the TEC is able to switch to a higher setpoint, if it exists, as shown in Figure 96.
- Set to *Manual*, the TEC is not able to switch to any other setpoint.

Switching the sensor off

If the internal camera temperature exceeds a preset alert limit, the camera's overheat protection circuit powers down the sensor board. This also includes the sensor cooling.

The Alert state is indicated by a continuous red light of the temperature status LED.

Temperature setpoint settling time

If the setpoint of the sensor temperature controller is changed, it takes approximately half a minute until the desired temperature is reached. During this period, the image quality may be reduced to some degree.

Goldeye CL-033 TEC1 example

This example explains the functionality of the single-stage TEC1. It is shown in [Figure 97](#).

The Goldeye CL-033 TEC1 has four temperature setpoints:

- +5 degrees Celsius,
- +20 degrees Celsius (default),
- +35 degrees Celsius, and
- +50 degrees Celsius.

It can achieve a maximum temperature difference of 25 kelvin between housing and sensor.

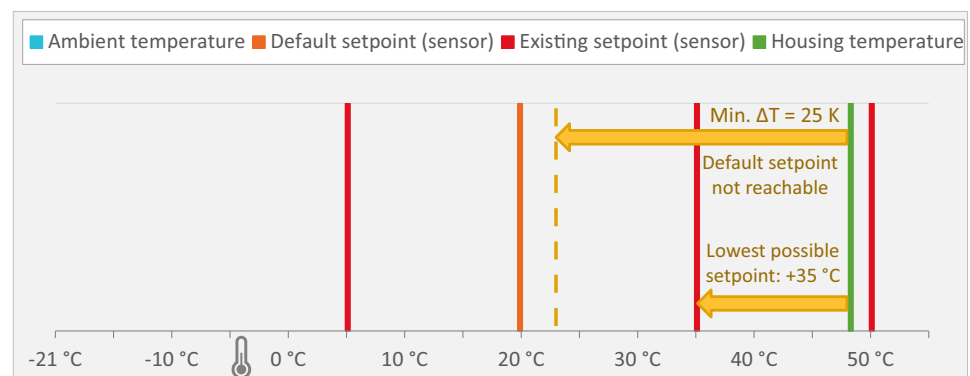


Figure 97: Cooling capabilities of Goldeye TEC1 models (example)

As a result, the CL-033 TEC1 switches to the lowest setpoint it can reach, which is at +35 degrees Celsius, and keeps the sensor at that temperature.

For this example, it is assumed that during operation, the housing temperature of a Goldeye CL-033 TEC1 has leveled at approximately +48 degrees Celsius. Thus, the minimum sensor temperature the TEC can reach is +23 degrees Celsius. It cannot reach the default setpoint at +20 degrees Celsius.

Goldeye G-032 Cool TEC2 example

This example explains the functionality of the two-stage TEC2.

The Goldeye G-032 Cool TEC2 has three temperature setpoints:

- -20 degrees Celsius (default),
- -5 degrees Celsius, and
- +10 degrees Celsius.

It can achieve a maximum temperature difference of 60 kelvin between housing and sensor.

For this example, it is assumed that during operation, the housing temperature of a Goldeye G-032 Cool TEC2 has leveled at approximately +38 degrees Celsius.

Because the temperature difference achievable is 60 kelvin, the TEC can reach the default setpoint at -20 degrees Celsius.

Thus, the G-032 Cool TEC2 will switch to the default setpoint at -20 degrees Celsius and keep the sensor at that temperature.

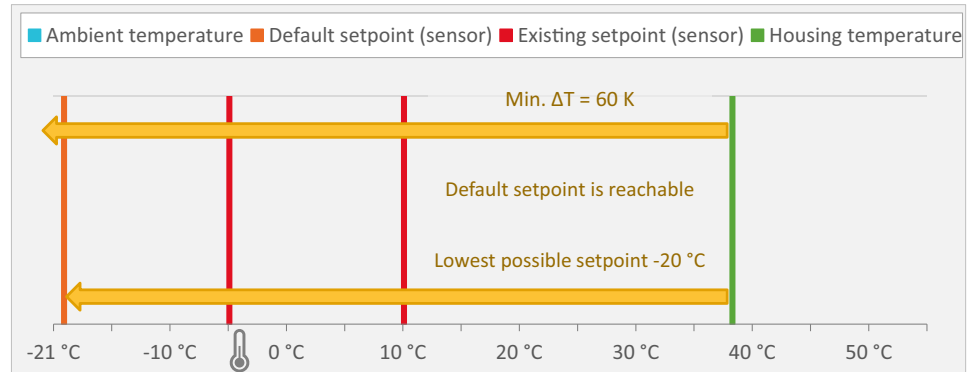


Figure 98: Cooling capabilities of Goldeye TEC2 models (example)

Goldeye G-008 and CL-008 TEC1 example

This example explains the heat functionality of the single-stage TEC1.

The Goldeye G-008 and CL-008 TEC1 has four temperature setpoints:

- +20 degrees Celsius,
- +25 degrees Celsius (default),
- +35 degrees Celsius, and
- +50 degrees Celsius.

With cooling, it can achieve a maximum temperature difference of 20 kelvin between housing and sensor.

For this example, it is assumed that the camera is started at an ambient temperature of -5 degrees Celsius. The camera is supposed to work at a sensor temperature of +35 degrees Celsius. It is likely that through internal heat-up alone, the camera cannot reach the setpoint at +35 degrees Celsius.

- If the `TemperatureControlTarget` of the camera is **not** activated, the camera levels the sensor temperature at the low setpoint of +20 degrees Celsius.
- If the `TemperatureControlTarget` is activated, the camera heats the sensor and levels the temperature at the setpoint of +35 degrees Celsius.

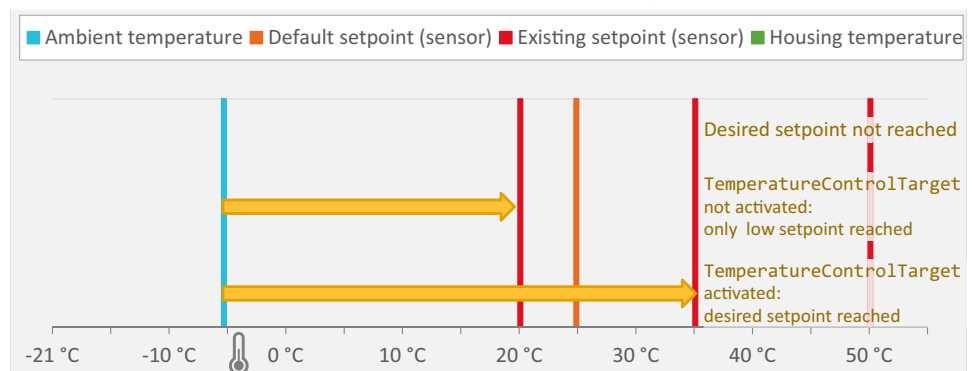


Figure 99: Heating capabilities of Goldeye G/CL-008 models (example)

Operational statuses

Table 209 explains the operational statuses that are indicated by the temperature status LED on the camera back panel. For TECless cameras, the LED will either remain off, not indicating any TEC status; or it will turn red, indicating overheating.



Use an efficient heat removal device

If the camera has switched to **Alert** status, it is also recommended to provide a more efficient heat sink for the camera housing before resuming operation. However, additional heat dissipation arrangements are always advantageous.






LED codes	Status and description
	Off
Off	There are two cases when the LED remains off: <ul style="list-style-type: none"> The TEC is actively switched off, using the feature <code>SensorTemperatureControlMode</code>. The camera is a TECless camera that has no TEC available.
	Deviated
Green-red (flashing)	The sensor cooler is operating, the defined sensor temperature (setpoint) has not been reached or stabilized yet. This signal is no error signal.
	Stable
Green (continuous)	The temperature is stabilized at one setpoint, the camera operates optimally.
	Upper limit
Red (flashing)	<ul style="list-style-type: none"> The sensor cooler operates at its upper power limit. The cooler is not able to keep the set temperature; however, the critical temperature level has not been reached yet. Under warm ambient temperatures, consider red flashing for an extended period of time as a warning signal: if the camera keeps working under unchanged conditions, an emergency shutdown is likely. The image correction quality may also deteriorate during this stage.
	Lower limit
Red (flashing)	<ul style="list-style-type: none"> The sensor cooler operates below its lower power limit. Under cold ambient conditions, the cooler may not be required to keep the sensor temperature at the lowest setpoint. The image correction quality may also deteriorate during this stage.
	Alert
Red (continuous)	<ul style="list-style-type: none"> If the internal camera temperature exceeds the defined threshold temperature, the sensor and the critical electronics of the sensor board conduct an emergency shutdown to prevent overheating. This is called the Alert state. It is indicated by the LED continuously glowing red. In case of Alert, the red color of the LED does not change even if the camera cools down again. The camera can be restarted only manually by switching the power off and on again. This is possible only after the camera cooled down sufficiently.

Table 209: Temperature status LED

Features for temperature control

Feature names	Register names
DeviceRelativeHumidity DeviceRelativeHumiditySelector	RegRelativeHumidity[] RegRelativeHumidityInq...
DeviceTemperature DeviceTemperatureSelector	RegTemperature[] RegTemperatureInq...
SensorCoolingPower	RegSensorCoolingPower
SensorTemperatureControlMode	RegSensorTemperatureControlMode
SensorTemperatureControlState	RegSensorTemperatureControlState
SensorTemperatureSetpointActivate	RegSensorTemperatureSetpointActivate
SensorTemperatureSetpointActive	RegSensorTemperatureSetpointActive
SensorTemperatureSetpointMode	RegSensorTemperatureSetpointMode
SensorTemperatureSetpointSelector	RegSensorTemperatureSetpointSelector
SensorTemperatureSetpointValue	RegSensorTemperatureSetpointValue
SensorTemperatureTargetSetpoint	RegSensorTemperatureTargetSetpoint

Table 210: Features and register names for temperature management

Find detailed descriptions of the features controlling the temperature and humidity correction and the functionality associated with them in the Goldeye G/CL Features Reference.

Firmware update



110100010
101110011
110110101
011100110
11111

This chapter explains the firmware update of Goldeye G and CL cameras.

Firmware loader application

Allied Vision provides an application for Goldeye cameras that loads firmware to the camera, using a simple interface. New feature introductions and product improvements motivate new firmware releases. All users are encouraged to use the newest firmware available and carry out a firmware update if necessary. Updating the firmware takes a few minutes.

As long as a firmware update is in progress, the status LED indicates this with a 1 Hertz green-red flashing.



Do not power off during the firmware update

Ensure that you never power off the camera during the firmware update until the firmware update is complete, and the camera reboot has been completed.

Both firmware update and reboot are indicated by a 1 Hertz green-red flashing of the status LED.

Not complying with this requirement might damage the camera and render it unusable.

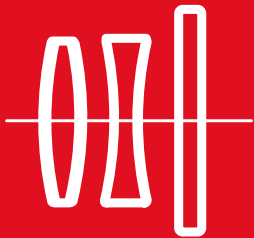
How to obtain the latest firmware version

The firmware for Goldeye G/CL cameras is subject to export limitations. Thus, it is not available via public download.

To update the firmware of your Goldeye G/CL or Goldeye G/CL Cool camera, please contact support at

www.alliedvision.com/en/about-us/contact-us/technical-support-repair-/-rma.

Cleaning optical components



This chapter includes:

Avoiding the necessity of camera cleaning	292
Identifying contaminations	292
Removing optical filters	293
Cleaning instructions	294

**Clean optical surfaces only**

If any solid or fluid substances penetrates the camera body, never attempt to remove them. This can cause further damage to the camera.

Should that happen, always contact your Allied Vision distribution partner.

Avoiding the necessity of camera cleaning

The best way to ensure the camera remains clean is to avoid penetration of foreign substances into the camera.

When mounting or dismounting a camera lens or dust cap, always hold the camera with the mount opening pointing downwards. This minimizes the possibility of any contaminants falling on the optical filter or sensor surface.

Always store cameras and lenses with dust caps on.



Figure 100: Illustration of camera orientation when removing lens or dust cap

Identifying contaminations

If small visible dust or contamination particles on optical filter or sensor surfaces can be observed from the outside, this does not necessarily mean that these particles affect the functioning or application of the camera.

Because these particles are out of focus, they are not likely to have any impact on the image. An impact on the image may only be given if any particles can be observed in the video preview of your camera.

The contaminations you observe in the video preview may be situated either on the lens, on the filter, or on the sensor. Contaminations may develop due to handling or unclean environments, even if your camera has been cleaned prior to sealing and shipment.

As shown in [Figure 101](#), contamination (dust, particles, or fluids) on the sensor or on optical components may appear as a dark area, patch, or spot on the image and remain fixed in the preview window while you rotate the camera over the target.

Also, contaminations that are situated on the edge of lens or filter, may not be in the field of view, and therefore will not be visible in the image.



Figure 101: Examples for the appearance of dust on the filter (left and middle), and the sensor (right)

Do not confuse a contamination with a pixel defect, which appears as a distinct point. Particles can either rest loosely or can be stuck to the optical surface.

Where is the contamination? — Locating contaminations

Before dismounting the lens, you should determine whether the contamination is situated on the filter, lens, or sensor. To do so, capture a uniform image with the camera, for example a white sheet of paper. The affected optical surface is identified when optical component in question is moved (rotated) and the dirt follows this movement.

- If you rotate only the lens (not the camera) and the contamination moves as well, the contamination is on the lens.
- If you move the filter window and the contamination moves as well, the contamination is on the filter.
- If the contamination is neither on the lens nor the filter, it is probably on the sensor.

Removing optical filters



Malfunction of the sensor possible when removing the filter

- Removing the filter from the camera requires special care.
- If a special mounting tool is required, you must use this tool. Do not use any makeshift tool.
- Ask your distribution partner for assistance if you are not confident with the procedure.
- Never touch optical surfaces with bare hands
- Take special care when removing the filter.



Damage to the sensor possible if no protection is present

Removing the lens or dust cap on these cameras immediately exposes the sensor. Always ensure that you are not inadvertently damaging the sensor surface.



Figure 102: Camera mount without filter, directly exposing the sensor

Cleaning instructions



Using improper cleaning materials may damage filter and sensor surfaces

- Never wipe lenses with dry swabs or tissue as this may cause scratches.
- As a cleaning tool, use only lens cleaning tabs or a lens cleaning tissue wrapped around a small piece of plastic. The lens cleaning tissue must be chemically pure and free from silicones or other additives.
- Do not use metal tools.
- Do not use any disposable cotton cosmetic swabs; they may contain contaminants.
- Do not use cosmetic cotton.
- Do not use consumer eyeglass cleaning cloths pretreated with silicone.
- Do not use fibrous material that may get caught in small gaps.
- As cleaning liquid, use only isopropyl alcohol.
- Never use aggressive cleaners like benzine or spirits. Using cleaners like that may damage the surface.



Optical cleaning liquid material safety data sheets

Read the material safety data sheet (MSDS) for the optical cleaning liquid before cleaning your camera and optics. The MSDS provides important information including hazard identification, first aid measures, handling and storage, and PPE.

Carry out all cleaning operations (on lenses, optical filter, and sensor) in a **clean dust-free room**. The optical components are very fragile. Therefore, you must not touch them with your fingers or any hard material.

1. Unplug the camera from any power supply before cleaning.

2. Have the cleaning materials ready before you start the cleaning.

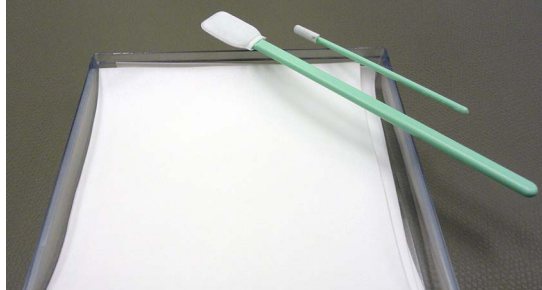


Figure 103: Lens cleaning tissues and cleaning pads

3. Apply a small amount of cleaning liquid to a clean, new lens cleaning pad or tissue.
The pad or tissue should be moist, not dripping. Hold the camera away from your body to avoid particles like skin flakes from falling onto the sensor. The camera front should point roughly 45 degrees upwards.
4. Wipe the surface in either one of two ways described to ensure any dirt present on the surface be moved to the edge of the surface:
 - With a spiral motion from the center to the rim. Normally, several spiral wipes are recommended. Wipe only on sensor or optical filter avoiding contact to metal surfaces, because microscopic dirt could be released and could cause scratches on the optical filter or sensor.
 - With a straight motion across the optical filter or sensor surface from one end to the opposite end.
5. When you've finished cleaning, examine the surface in a bright light. Take an out-of-focus picture of a flat, illuminated surface to see if any dirt or dust remains.
6. If dust spots remain, repeat this procedure once, using new clean lens tissue (as described).

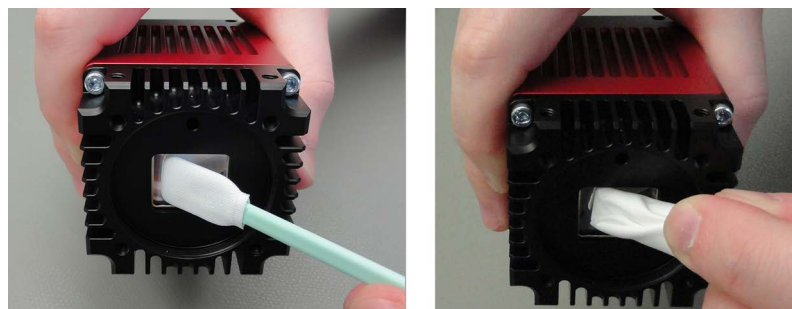


Figure 104: Use of cleaning tab or tissue to clean a sensor



If dust spots remain

If dust spots remain after cleaning twice, contact your Allied Vision distribution partner.

Use of compressed air



Figure 105: How not to use compressed air



NOTICE

As a general precaution, you should never use compressed air to clean a camera. If you want to use compressed air despite of all warnings, consider the following:

- Use an air blower or compressed air only if you are familiar with cleaning a camera with this instrument.
- Compressed air may blow dust into cameras and lenses.
- High pressure air may crack the sensor or optical filter you want to clean.
 - Therefore, keep the pressure at a moderate strength only.
 - The pressure at the tube should be less than 1 bar
 - Operating distance: 5 to 30 cm
- The pressurized air must be dust-filtered and oil-free.
- Use ionized air only to avoid any static charge.
- Also, using ionized air helps to remove any dirt stuck to the optical component because of static electricity.

Index

A

Absolute QE	
CL-008 Cool TEC1	131
CL-008 TEC1	126
CL-032 Cool TEC2	146
CL-032 TEC1	141
CL-033 TEC1	151
CL-033 TECless	156
CL-034 TEC1	161
CL-034 XSWIR 1.9 TEC2	167
CL-034 XSWIR 2.2 TEC2	173
G-008 Cool TEC1	83
G-008 TEC1	79
G-032 Cool TEC2	95
G-032 TEC1	91
G-033 TEC1	99
G-033 TECless	103
G-034 TEC1	107
G-034 XSWIR 1.9 TEC2	112
G-034 XSWIR 2.2 TEC2	117
Accessories	
Bandpass filters	210
Camera Link cables	207
Ethernet adapters	207
Heat sink set	212
Hirose 12-pin connector	208
Hirose 4-pin connector	206
Mount adapters	209
Power adapters	205
adjustment	
C-Mount	223
Allied Vision contact	17
Applicable standards	68
Automatic contrast control	270
Automatic exposure control	268
Automatic image control	265
Accounted pixels	265
Eliminating outliers	265
Mean value	265
Outliers	265
Region of interest	267
AutoModeOutliers	265
AutoModeRegion	267

B

Background correction	262
Bandpass filter	226
Bandpass filters 1450 nm	229
Binning	264
Block diagram	
Input signal	247
Isolated input	243
Isolated output	245
Signal output	248

C

Camera cleaning	
Compressed air	296
Identifying contaminations	292
Locating contaminations	293
Necessity	292
Camera Link cables MDR to SDR	207
Camera Link cables SDR to SDR	208
Camera Link interface	233
Camera Link status LEDs	234
Camera software	
Installation	58
Category 6	47
CC1	243
CC2	243
CC3	243
CC4	243
Cleaning instructions	294
C-Mount adapter	
Filter change	216
Specifications	215
Compliance	
USA	33
Control signals	247
Cooling	
Passive cooling	277
Copyright	35
Correction data	261
Cut-off wavelength	227
Cut-on wavelength	227
CWL	227
D	
Decimation	264
Defect pixel correction	262
Delay	
Isolated input	243

Isolated output	246	CL-008 Cool TEC1	130
Dimensions		CL-008 TEC1	125
Goldeye CL Cool - C-Mount	202	CL-030 TEC1	135
Goldeye CL Stabilized - C-Mount	196	CL-032 Cool TEC2	145
Goldeye CL Stabilized - F-Mount	197	CL-032 TEC1	140
Goldeye CL Stabilized - M42-Mount	198	CL-033 TEC1	150
Goldeye CL XSWIR TEC2 - C-Mount	195	CL-033 TECless	155
Goldeye G - C-Mount	184	CL-034 TEC1	160
Goldeye G Cool - C-Mount	190	CL-034 XSWIR 1.9 TEC21	165
Goldeye G Cool - F-Mount	191	CL-034 XSWIR 2.2 TEC2	171
Goldeye G Cool - M42-Mount	192	CL-130 TEC1	177
Goldeye G Stabilized - C-Mount	193	G-008 Cool TEC1	82
Goldeye G Stabilized - F-Mount	185	G-008 TEC1	78
Goldeye G Stabilized - M42-Mount	186	G-030 TEC1	86
Goldeye G TEC1 - C-Mount	182	G-032 Cool TEC2	94
Goldeye G XSWIR TEC2 - C-Mount	183	G-032 TEC1	90
E		G-033 TEC1	98
electrostatic discharge	30	G-033 TECless	102
Eliminating outliers	265	G-034 TEC1	106
Environmental specifications	48, 60	G-034 XSWIR 1.9 TEC2	110
ESD	30, 37	G-034 XSWIR 2.2 TEC2	115
Ethernet adapters	207	G-130 TEC1	120
Exposure	256	H	
Exposure control	268	Half Power Points	228
External GND	241	heat dissipation	36
External power	241	Hirose 12-pin connector	208
F		Pin assignment	239
Filter change		Hirose 4-pin connector	206
C-Mount adapter	216	Pin assignment	240
F-Mount adapter	219	I	
M42-Mount adapter	221	I/O connectors	237
F-Mount adapter		Image control	
Filter change	219	Frame memory	272
Specifications	218	Trigger-induced distortion correction	272
Frame grabber		Image correction	
Installation	58	Background correction	262
Use own transport layer	68	Defect pixel correction	262
Frame grabber specific viewer	62	Non-uniformity correction	261
Grabbing images	66	Image corrections	261
Frame memory	272	Correction data	261
Frame rates and cooling	76	Image processing	
FWHM	228	Binning	264
G		Decimation	264
General safety notes	35	Look-up table	263
GigE status LEDs	232	Imaging/Performance specifications	
GPIOs		CL-008 Cool TEC1	129
		CL-008 TEC1	124

CL-030 TEC1	134
CL-032 Cool TEC2	144
CL-032 TEC1	139
CL-033 TEC1	149
CL-033 TECless	154
CL-034 TEC1	159
CL-034 XSWIR 1.9 TEC2	164
CL-034 XSWIR 2.2 TEC2	170
CL-130 TEC1	176
G-008 Cool TEC1	81
G-008 TEC1	77
G-030 TEC1	85
G-032 Cool TEC2	93
G-032 TEC1	89
G-033 TEC1	97
G-033 TECless	101
G-034 TEC1	105
G-034 XSWIR 1.9 TEC2	109
G-034 XSWIR 2.2 TEC2	114
G-130 TEC1	119
In 1 - non-isolated	242
In 2 - opto-isolated	242
Install Vimba Viewer	59
Interfaces	
Camera Link	233
IP class	73
Isolated input	
Delay	243
Isolated Out Power	242
L	
lenses	
maximum protrusion	38
Look-up table	263
M	
M42-Mount adapter	
Filter change	221
Specifications	221
Manual conventions	
Styles	29
Symbols	29
Mechanics specifications	
CL-008 Cool TEC1	130
CL-008 TEC1	125
CL-030 TEC1	135
CL-032 Cool TEC2	145
CL-032 TEC1	140
CL-033 TEC1	150
CL-033 TECless	155
CL-034 TEC1	160
CL-034 XSWIR 1.9 TEC2	165
CL-034 XSWIR 2.2 TEC2	171
CL-130 TEC1	177
G-008 Cool TEC1	82
G-008 TEC1	78
G-030 TEC1	86
G-032 Cool TEC2	94
G-032 TEC1	90
G-033 TEC1	98
G-033 TECless	102
G-034 TEC1	106
G-034 XSWIR 1.9 TEC2	110
G-034 XSWIR 2.2 TEC2	115
G-130 TEC1	120
N	
Non-uniformity correction	261
O	
Operating conditions	
CL-008 Cool TEC1	131
CL-008 TEC1	126
CL-030 TEC1	136
CL-032 Cool TEC2	146
CL-032 TEC1	141
CL-033 TEC1	151
CL-033 TECless	156
CL-034 TEC1	161
CL-034 XSWIR 1.9 TEC2	166
CL-034 XSWIR 2.2 TEC2	172
CL-130 TEC1	178
G-008 Cool TEC1	83
G-008 TEC1	79
G-030 TEC1	87
G-032 Cool TEC2	95
G-032 TEC1	91
G-033 TEC1	99
G-033 TECless	103
G-034 TEC1	107
G-034 XSWIR 1.9 TEC2	111
G-034 XSWIR 2.2 TEC2	116
G-130 TEC1	121
Out 1 - non-isolated	244
Out 2 - opto-isolated	244
Out 3 - opto-isolated	244
Outliers	265
Output specifications	

CL-008 Cool TEC1	130	Pins 4-pin Hirose	241
CL-008 TEC1	125	Power	
CL-030 TEC1	135	DC	48
CL-032 Cool TEC2	145	Power adapters	205
CL-032 TEC1	140	Power Supply	232
CL-033 TEC1	150	R	
CL-033 TECless	155	Region of interest	267
CL-034 TEC1	160	Relative QE	
CL-034 XSWIR 1.9 TEC2	165	CL-030 TEC1	136
CL-034 XSWIR 2.2 TEC2	171	CL-130 TEC1	178
CL-130 TEC1	177	G-030 TEC1	87
G-008 Cool TEC1	82	G-130 TEC1	121
G-008 TEC1	78	Resolution and ROI frame rates	
G-030 TEC1	86	CL-008 Cool TEC1	132
G-032 Cool TEC2	94	CL-008 TEC1	127
G-032 TEC1	90	CL-030 TEC1	137
G-033 TEC1	98	CL-032 Cool TEC2	147
G-033 TECless	102	CL-032 TEC1	142
G-034 TEC1	106	CL-033 TEC1	152
G-034 XSWIR 1.9 TEC2	110	CL-033 TECless	157
G-034 XSWIR 2.2 TEC2	115	CL-034 TEC1	162
G-130 TEC1	120	CL-034 XSWIR 1.9 TEC2	168
P		CL-034 XSWIR 2.2 TEC2	174
Passband	227	CL-130 TEC1	179
Peak Transmittance	228	G-008 Cool TEC1	84
Pin assignment	237	G-008 TEC1	80
External GND	241	G-030 TEC1	88
External power	241	G-032 Cool	96
Hirose 12-pin connector	239	G-032 TEC1	92
Hirose 4-pin connector	240	G-033 TEC1	100
In 1 - non-isolated	242	G-033 TECless	104
In 2 - opto-isolated	242	G-034 TEC1	108
Isolated Out Power	242	G-034 XSWIR 1.9 TEC2	113
Out 1 - non-isolated	244	G-034 XSWIR 2.2 TEC2	118
Out 2 - opto-isolated	244	G-130 TEC1	122
Out 3 - opto-isolated	244	RS232	
RxD	241	RxD	241
TxD	241	TxD	241
Pins 12-pin Hirose		RxD	241
Pin 1	241	S	
Pin 10	242	safety	2
Pin 11	242	camera power	37
Pin 12	244	electrical connections	37
Pin 4	242	heat dissipation	36
Pin 5	244	lens mounts	36
Pin 6	244	maximum protrusion	38
Pin 8	241	optical components	38
Pin 9	241		

sensor	38	Installation	59
Sensor		Launch	64
position accuracy	203	use with frame grabber specific viewer	62
sensor handling	38		
Single band filter	229	W	
Specifications		Warm-up period	276
C-Mount adapter	215	Water filter	229
F-Mount adapter	218		
M42-Mount adapter	221		
Status LEDs			
Camera Link	234		
GigE	232		
Temperature	287		
Stopband	227		
support	17		
T			
Temperature			
Control	276		
Control features	288		
Emergency shutdown	287		
Heating of G/CL-008	278		
Influence on the sensor	276		
Operational statuses	287		
stabilization	277		
Status LEDs	287		
Switching setpoints	281		
Tolerance (Filters)	228		
Trigger			
Latencies and jitter	257		
Notes	256		
Rules	257		
Timing diagram	256		
Trigger-induced distortion correction	272		
Triggering			
During the Idle state	257		
During the Readout state	257		
TxD	241		
U			
Using custom application	68		
V			
Vimba Viewer			
Adjust camera controls	66		
Controller window	66		
Frame grabber with own transport layer	68		
Getting camera information	67		
Information window	67		