

GANTRY CRANES



Cost-effective Solutions
For Lifting and Moving Material

GANTRY CRANES

TABLE OF CONTENTS

	<i>page</i>
Portable, Economical, Versatile Lifting Solutions	1
Selecting Your SPANCO Gantry Crane	2
T Series	3 - 7
A Series	8 - 13
E Series	14 - 15
PF Series	16 - 18
Power Drives	19 - 21
Custom Designed Single or Double Leg Wide Flange Beam Construction Gantries	22 - 23
Tripods	24



T SERIES



A SERIES



E SERIES



PF SERIES

PORTABLE, ECONOMICAL, VERSATILE LIFTING SOLUTIONS

Moving and lifting heavy materials doesn't have to involve installing expensive equipment or permanently changing your facility. SPANCO gantry cranes do the job efficiently and economically:

- No permanent installation required, making gantry cranes ideal if you rent or lease your facility.
- Quick, easy assembly.
- Portable design allows relocation for use in more than one facility or work area.
- Gantry construction incorporates standard American I-beams. All nuts, bolts, and pins are plated for corrosion resistance.
- All gantries are painted SPANCO yellow.

SPANCO gantry cranes provide a wide range of lifting solutions for many types of applications...

Portable gantries-

Plant maintenance applications requiring replacement and relocation of equipment and machinery.

Service truck applications requiring quick knockdown for fast, easy movement to and from a work site.

Adjustable gantries-

Warehousing applications requiring the movement of loads through aisles, doorways, around obstacles, and over or under obstructions.

Welding and fabrication shop applications using fixed or adjustable gantries for lifting parts and equipment into position.

Track-mounted gantries-

Applications requiring lifting and moving of heavy loads over a fixed route, either manual or motorized.

Standard for Design

SPANCO gantries are designed to provide dependable, durable lifting solutions. Each gantry is manufactured in accordance with our interpretation of the following standards:

- Crane Manufacturers Association of America, Inc.
- American Welding Society
- Occupational Safety and Health Administration

Users should check each installation for compliance with the applicable operating and maintenance requirements of these standards.

Our equipment is intended for industrial use only and is not designed for transport of human cargo.



GANTRY CRANES

GANTRY CRANES

V-GROOVE CASTERS-

Optional track-mounting

- Use with SPANCO V-groove track.
- Fixed length angle track is available in 5, 15, and 20 ft. stock lengths.
 - five foot removable lengths allow clear passage of track by lift truck.
 - six inch removable track is available for use under overhead doors.
- Track is constructed of inverted steel angle welded to a flat strip for use with 3/8 inch lag bolts (not supplied), with male/female ends for true alignment.
- For applications requiring the movement of a load along a fixed route.
- Cost effective alternative to expensive overhead monorails and bridge cranes.
- Simple installation and removal.
- No permanent ironwork required.
- Ideal if you rent or lease your facility.
- V-groove power drive kits available for use with PF or T Series.

ANGLE TRACK FOR USE WITH V-GROOVE CASTERS				
TON CAP.	LENGTH	DESCRIPTION	WT. LB.	PART NO.
15	5'	Fixed Length	34	05-0088
	15'	Fixed Length	100	05-0089
	20'	Fixed Length	133	05-0090
	5'	Removable Length <small>(for 18" track passage)</small>	34	05-0091
	6'	Removable Length <small>(for use under overhead doors)</small>	3.5	05-0092
	4"	Heavy Duty End Stop	7	05-0093
6	5'	Fixed Length	23	05-0084
	15'	Fixed Length	68	05-0085
	20'	Fixed Length	88	05-0086
	5'	Removable Length <small>(for 18" track passage)</small>	22	05-0087
	6'	Removable Length <small>(for use under overhead doors)</small>	2.5	05-0088
	4"	Heavy Duty End Stop	5	05-0089

SELECTING YOUR SPANCO GANTRY CRANE

T SERIES-3-Way Adjustable gantries, fabricated from heavy gauge square mechanical tubing, offer the greatest under I-beam height and range of adjustability. Maximum flexibility of span, height, and tread adjustment allows use on uneven flooring. Adjustability allows travel through doorways and aisles, under mezzanines, or other overhead obstructions.

Motorized option available.

- **All steel construction** capacities to 10 tons.
 - maximum overall heights to 24'-3" -standard spans to 40 ft.
- **Steel construction with aluminum I-beam** capacities to three tons.
 - maximum overall heights to 22'-6" -standard spans to 15 ft.
- **All aluminum construction** capacities to three tons.
 - maximum overall heights to 21'-11" -standard spans to 15 ft.

A SERIES gantries, fabricated from heavy gauge rectangular mechanical tubing, provide a lower cost and lighter weight lifting alternative to the T Series for applications requiring movement through doorways and under obstructions. Design does not require brace legs, allowing greater clear span. Adjustable span optional. *Motorized option not available.*

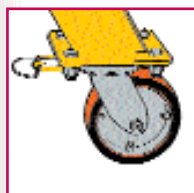
- **All steel construction, adjustable and fixed height** capacities to 10 tons.
 - maximum under beam heights to 16 ft. -standard spans to 40 ft.
- **All aluminum construction, adjustable height/span** capacities to two tons.
 - maximum under beam heights to 12'-2" -standard spans to 15 ft.

E SERIES ECONOMY gantries, fabricated from heavy gauge square mechanical tubing, offer a no-frills lifting alternative to A Series in fixed and adjustable heights and spans. *Motorized option not available.*

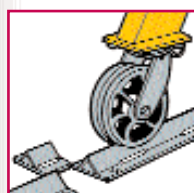
- **Steel construction, fixed height** capacities to five tons.
 - standard under beam height 10 ft. -standard span 12 ft.
- **Steel construction, adjustable height/span** standard capacities to three tons
 - maximum under beam heights to 14 ft. -standard span 11'-6"

PF SERIES gantries, fabricated and welded from heavy gauge steel mechanical tubing, provide solid lifting for applications requiring movement of large heavy loads. Ample bracing ensures high rigidity for trackless or track-mounted motor-driven applications. Offers greatest fixed height. Ideal for motorized applications and single leg (semi-gantry) configurations.

- **All steel construction** capacities to 15 tons.
 - maximum under beam heights to 35 ft. -standard spans to 40 ft.



Floor Protecting Casters



- Standard on all gantries through 15 tons.
- Wheels feature moldon polyurethane tread that provides maximum floor protection, resisting chipping and outwearing ordinary plastic wheels.
- Equipped with four-position swivel locks (except E series). Casters lock at 90° intervals to allow travel in a straight line and to help prevent movement under load when locked in opposable directions.
- Wheel brakes and other optional accessories can be supplied on all gantries. SPANCO can supply any style of caster to meet customer specifications.

T SERIES

All steel construction capacities to 10 tons.

-maximum overall heights to 24'-3"

-standard spans to 40 ft.

Steel construction with aluminum I-beam capacities to three tons.

-maximum overall heights to 22'-6"

-standard spans to 15 ft.

"True A-frame" design

Virtually eliminates the swaying motion common to other three-way adjustable gantry designs and gives greater stability while allowing the I-beam to pivot independently of the legs and to self-center over the load.

Construction

The main legs, brace legs, and caster frames are constructed of heavy gauge square tubing. Zinc plated hardware ensures longevity.

Adjustable span

Spanloc™ ensures secure positioning of I-beam while allowing span adjustment for inboard/outboard bracing or cantilever configuration. Cantilever capacity is 25% of regular capacity (maximum cantilever is 4'). Counterweight is required for cantilever.

Adjustable height

The main legs adjust at six-inch intervals to accommodate uneven floor levels. The height of the main legs is adjusted by inserting or removing a pair of push/pull pins.

Adjustable tread

The caster frame tread easily adjusts to allow movement through narrow passageways.

A cable assembly, bolted inside the caster frame tubes, prevents overspreading when tread width is adjusted.

Tread should increase as height increases.

Casters

Four-position, swivel lock casters with moldon polyurethane wheels protect floors from damage.



T SERIES GANTRY CRANES



Adjustable Span

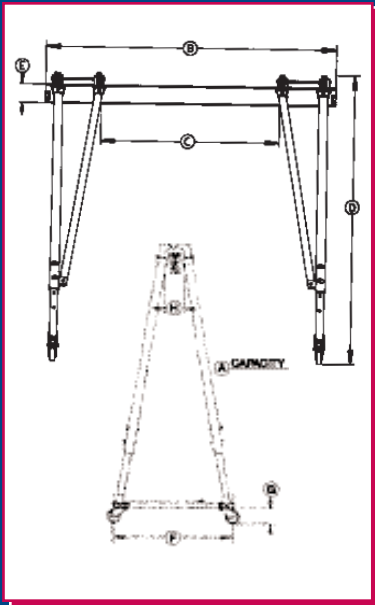


Adjustable Height



Adjustable Tread

T SERIES GANTRY CRANES



I-BEAM	FLANGE WIDTH
S6" - 12.5#	3 3/8"
S8" - 18.4#	4"
S10" - 25.4#	4 5/8"
S12" - 31.8#	5"
S15" - 42.9#	5 1/2"
S18" - 54.7#	6"
S24" - 80#	7"

T SERIES - ALL STEEL 1 - 2 TON

T SERIES - ALL STEEL											
A CAPACITY	B SPAN	C CLEAR SPAN	D OVERALL HEIGHT		E I-BEAM DEPTH	F CASTER FRAME SPREAD		G CASTER DIAMETER	H MINIMUM LEG CLEARANCE	NET WEIGHT	MODEL
			MAXIMUM	MINIMUM		MAXIMUM	MINIMUM				
1 Ton	10'	5' 7"	10'-7"	6'-7"	6"	7'-1"	4'-7"	6"	10'	571	1T109S
		5' 8"	13'-2"	8'-2"	6"	10'-2"	6'-2"	6"	11'	703	1T1012S
		5' 7"	16'-0"	10'-5"	6"	10'-2"	6'-2"	6"	10'	934	1T1015S
		5' 7"	19'-2"	12'-2"	6"	13'-1"	7'-7"	6"	11'	1115	1T1019S
	5' 6"	22'-2"	14'-7"	6"	13'-1"	7'-7"	6"	10'	1229	1T1021S	
	15'	10' 10"	10'-7"	6'-7"	8"	7'-1"	4'-7"	6"	11'	679	1T159S
		10' 9"	13'-2"	8'-2"	8"	10'-2"	6'-2"	6"	13'	785	1T1512S
		10' 8"	16'-0"	10'-5"	8"	10'-2"	6'-2"	6"	11"	906	1T1515S
		10' 7"	19'-2"	12'-2"	8"	13'-1"	7'-7"	6"	12'	1207	1T1519S
	10' 7"	22'-2"	14'-7"	8"	13'-1"	7'-7"	6"	11"	1321	1T1521S	
	20'	15' 9"	13'-2"	8'-2"	10"	10'-2"	6'-2"	6"	13'	1086	1T2012S
		15' 7"	16'-0"	10'-5"	10"	10'-2"	6'-2"	6"	11"	1226	1T2015S
		15' 7"	19'-2"	12'-2"	10"	13'-1"	7'-7"	6"	12'	1439	1T2019S
		14' 0"	22'-2"	14'-7"	10"	13'-1"	7'-7"	6"	11"	1599	1T2021S
	25'	20' 9"	13'-4"	8'-4"	12"	10'-2"	6'-2"	6"	15'	1373	1T2512S
		20' 8"	16'-3"	10'-7"	12"	10'-2"	6'-2"	6"	13'	1513	1T2515S
		20' 7"	19'-4"	12'-4"	12"	13'-1"	7'-7"	6"	14'	1726	1T2519S
		19' 0"	22'-4"	14'-9"	12"	13'-1"	7'-7"	6"	13'	1896	1T2521S
	30'	26' 0"	13'-4"	8'-4"	15"	10'-2"	6'-2"	6"	19'	1965	1T3012S
		25' 10"	16'-3"	10'-7"	15"	10'-2"	6'-2"	6"	19'	2005	1T3015S
		25' 9"	19'-4"	12'-4"	15"	13'-1"	7'-7"	6"	17'	2219	1T3019S
		24' 2"	22'-4"	14'-9"	15"	13'-1"	7'-7"	6"	16'	2379	1T3021S
	35'	31' 0"	13'-4"	8'-4"	15"	10'-2"	6'-2"	6"	19'	2445	1T3512S
		30' 10"	16'-3"	10'-7"	15"	10'-2"	6'-2"	6"	16'	2595	1T3515S
30' 9"		19'-4"	12'-4"	15"	13'-1"	7'-7"	6"	17'	2799	1T3519S	
29' 2"		22'-4"	14'-9"	15"	13'-1"	7'-7"	6"	16'	2959	1T3521S	
40'	36' 2"	13'-5"	8'-5"	15"	10'-2"	6'-2"	6"	21"	2754	1T4012S	
	35' 11"	16'-4"	10'-8"	15"	10'-2"	6'-2"	6"	21"	2895	1T4015S	
	35' 10"	19' 6"	12'-8"	15"	13'-1"	7'-7"	6"	20'	3107	1T4019S	
	34' 3"	22' 4"	14'-10"	15"	13'-1"	7'-7"	6"	19'	3267	1T4021S	
2 Ton	10'	5' 6"	10'-10"	7'-0"	8"	7'-1"	4'-7"	8"	11"	655	2T109S
		5' 5"	13'-0"	8'-4"	8"	10'-2"	6'-2"	8"	13'	951	2T1012S
		5' 3"	16'-3"	10'-7"	8"	10'-2"	6'-2"	8"	11"	1053	2T1015S
		5' 3"	19'-5"	12'-4"	8"	13'-1"	7'-7"	8"	12'	1212	2T1019S
	5' 2"	22'-4"	14'-9"	8"	13'-1"	7'-7"	8"	11"	1459	2T1021S	
	15'	10' 7"	11'-0"	7'-2"	10"	7'-1"	4'-7"	8"	13'	952	2T159S
		10' 5"	13'-2"	8'-6"	10"	10'-2"	6'-2"	8"	15'	1059	2T1512S
		10' 4"	16'-5"	10'-9"	10"	10'-2"	6'-2"	8"	13'	1250	2T1515S
		10' 3"	19'-7"	12'-6"	10"	13'-1"	7'-7"	8"	14'	1407	2T1519S
	10' 2"	22'-6"	14'-11"	10"	13'-1"	7'-7"	8"	13'	1655	2T1521S	
	20'	15' 5"	13'-2"	8'-6"	12"	10'-2"	6'-2"	8"	15'	1313	2T2012S
		15' 4"	16'-5"	10'-9"	12"	10'-2"	6'-2"	8"	13'	1505	2T2015S
		15' 3"	19'-7"	12'-6"	12"	13'-1"	7'-7"	8"	14'	1664	2T2019S
		15' 2"	22'-6"	14'-11"	12"	13'-1"	7'-7"	8"	13'	1937	2T2021S
	25'	20' 8"	13'-2"	8'-6"	15"	10'-2"	6'-2"	8"	21"	1749	2T2512S
		20' 6"	16'-5"	10'-9"	15"	10'-2"	6'-2"	8"	16"	1948	2T2515S
		20' 5"	19'-7"	12'-6"	15"	13'-1"	7'-7"	8"	17"	2101	2T2519S
		20' 4"	22'-6"	14'-11"	15"	13'-1"	7'-7"	8"	16"	2347	2T2521S
	30'	25' 10"	13'-3"	8'-8"	18"	10'-2"	6'-2"	8"	22"	2235	2T3012S
		25' 7"	16'-5"	10'-9"	18"	10'-2"	6'-2"	8"	19"	2440	2T3015S
		25' 6"	19'-8"	12'-8"	18"	13'-1"	7'-7"	8"	20"	2716	2T3019S
		23' 11"	22'-7"	15'-0"	18"	13'-1"	7'-7"	8"	19"	2799	2T3021S
	35'	30' 10"	13'-3"	8'-8"	18"	10'-2"	6'-2"	8"	22"	2660	2T3512S
		30' 7"	16'-5"	10'-9"	18"	10'-2"	6'-2"	8"	19"	3066	2T3515S
30' 6"		19'-8"	12'-8"	18"	13'-1"	7'-7"	8"	20"	3342	2T3519S	
29' 11"		22'-7"	15'-0"	18"	13'-1"	7'-7"	8"	19"	3425	2T3521S	
40'	35' 11"	13'-3"	8'-8"	18"	10'-2"	6'-2"	8"	23"	2944	2T4012S	
	35' 8"	16'-5"	10'-2"	18"	10'-2"	6'-2"	8"	20"	3050	2T4015S	
	35' 7"	19'-8"	12'-8"	18"	13'-1"	7'-7"	8"	21"	3326	2T4019S	
	34' 0"	22'-7"	15'-0"	18"	13'-1"	7'-7"	8"	19"	3409	2T4021S	

T SERIES - ALL STEEL

CAPACITY	SPAN	CLEAR SPAN	OVERALL HEIGHT		I-BEAM DEPTH	CASTER FRAME SPREAD		CASTER DIAMETER	MAXIMUM LEG CLEARANCE	NET WEIGHT	MODEL
			MAXIMUM	MINIMUM		MAXIMUM	MINIMUM				
3 Ton	10'	5-3"	11-1"	7-3"	10"	7-1"	4-7"	8"	13'	934	3T109S
		5-2"	13-4"	9-8"	10"	10-2"	6-2"	8"	15'	1054	3T1012S
		5-1"	16-7"	10-10"	10"	10-2"	6-2"	8"	13'	1287	3T1015S
		3-6"	19-8"	12-8"	10"	13-1"	7-7"	8"	14'	1395	3T1018S
		3-4"	22-7"	15-7"	10"	15-1"	9-7"	8"	14'	1899	3T1023S
	15'	10-5"	11-1"	7-3"	10"	7-1"	4-7"	8"	14'	961	3T159S
		10-4"	13-4"	9-8"	10"	10-2"	6-2"	8"	16'	1181	3T1512S
		10-2"	16-7"	10-10"	10"	10-2"	6-2"	8"	14'	1414	3T1515S
		8-7"	19-8"	12-8"	10"	13-1"	7-7"	8"	15'	1522	3T1518S
		8-5"	22-7"	15-7"	10"	15-1"	9-7"	8"	15'	2188	3T1523S
	20'	15-5"	13-4"	9-8"	15"	10-2"	6-2"	8"	19'	1698	3T2012S
		15-3"	16-7"	10-10"	15"	10-2"	6-2"	8"	15'	1891	3T2015S
		13-8"	19-8"	12-8"	15"	13-1"	7-7"	8"	16'	1999	3T2018S
		13-6"	22-7"	15-7"	15"	15-1"	9-7"	8"	16'	2685	3T2023S
	25'	20-8"	13-4"	9-9"	18"	10-2"	6-2"	8"	23'	2167	3T2512S
		20-5"	16-7"	10-11"	18"	10-2"	6-2"	8"	20'	2401	3T2515S
		18-11"	19-9"	12-9"	18"	13-1"	7-7"	8"	21"	2508	3T2518S
		18-8"	23-8"	15-7"	18"	15-1"	9-7"	8"	21"	3175	3T2523S
	30'	25-9"	13-4"	9-9"	18"	10-2"	6-2"	8"	24'	2729	3T3012S
		25-6"	16-7"	10-11"	18"	10-2"	6-2"	8"	21"	2962	3T3015S
		24-0"	19-9"	12-9"	18"	13-1"	7-7"	8"	22"	3147	3T3018S
		23-9"	23-8"	15-7"	18"	15-1"	9-7"	8"	22"	3734	3T3023S
	35'	30-9"	13-4"	9-9"	18"	10-2"	6-2"	8"	24'	3207	3T3512S
		30-6"	16-7"	10-11"	18"	10-2"	6-2"	8"	21"	3440	3T3515S
29-0"		19-9"	12-9"	18"	13-1"	7-7"	8"	22"	3612	3T3518S	
28-9"		23-8"	15-7"	18"	15-1"	9-7"	8"	22"	4207	3T3523S	
40'	35-9"	13-4"	9-9"	18"	10-2"	6-2"	8"	24'	3951	3T4012S	
	35-6"	16-7"	10-11"	18"	10-2"	6-2"	8"	21"	4184	3T4015S	
	34-0"	19-9"	12-9"	18"	13-1"	7-7"	8"	22"	4369	3T4018S	
	33-9"	23-8"	15-7"	18"	15-1"	9-7"	8"	22"	4951	3T4023S	
5 Ton	10'	5-5"	11-1"	7-3"	10"	7-1"	4-7"	8"	14'	890	5T109S
		5-1"	16-6"	10-9"	10"	10-2"	6-2"	8"	14'	1485	5T1015S
		3-6"	19-8"	12-8"	10"	13-1"	7-7"	8"	15'	1793	5T1018S
		3-5"	23-7"	15-6"	10"	15-1"	9-7"	8"	15'	2338	5T1023S
	15'	10-6"	11-1"	7-3"	15"	7-1"	4-7"	8"	15'	1281	5T159S
		10-2"	16-6"	10-9"	15"	10-2"	6-2"	8"	15'	1875	5T1515S
		8-7"	19-8"	12-8"	15"	13-1"	7-7"	8"	16'	2193	5T1518S
		8-6"	23-7"	15-6"	15"	15-1"	9-7"	8"	16'	2683	5T1523S
	20'	15-8"	11-1"	7-3"	18"	7-1"	4-7"	8"	17'	1731	5T209S
		15-4"	16-6"	10-9"	18"	10-2"	6-2"	8"	17'	2325	5T2015S
		13-9"	19-8"	12-8"	18"	13-1"	7-7"	8"	19'	2633	5T2018S
		13-7"	23-7"	15-6"	18"	15-1"	9-7"	8"	19'	3178	5T2023S
	25'	20-5"	16-7"	10-11"	18"	10-2"	6-2"	8"	20"	2992	5T2515S
		18-10"	19-9"	12-8"	18"	13-1"	7-7"	8"	21"	3167	5T2518S
		18-8"	23-9"	15-7"	18"	15-1"	9-7"	8"	21"	3712	5T2523S
	30'	25-6"	16-7"	10-11"	18"	10-2"	6-2"	8"	21"	3184	5T3015S
		23-11"	19-9"	12-8"	18"	13-1"	7-7"	8"	22"	3569	5T3018S
		23-9"	23-9"	15-7"	18"	15-1"	9-7"	8"	22"	4013	5T3023S
	35'	30-6"	16-7"	10-11"	18"	10-2"	6-2"	8"	21"	4034	5T3515S
		28-11"	19-9"	12-8"	18"	13-1"	7-7"	8"	22"	4419	5T3518S
		28-9"	23-9"	15-7"	18"	15-1"	9-7"	8"	22"	4953	5T3523S
	40'	35-7"	16-7"	10-11"	24"	10-2"	6-2"	8"	23'	5573	5T4015S
		34-1"	19-9"	12-8"	24"	13-1"	7-7"	8"	25'	5958	5T4018S
		33-11"	23-9"	15-7"	24"	15-1"	9-7"	8"	24'	6402	5T4023S

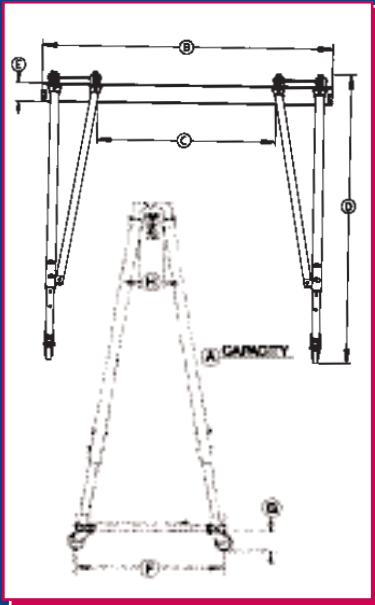
*capped I-beam

T SERIES GANTRY CRANES

T SERIES - ALL STEEL

3 - 5 TON

T SERIES GANTRY CRANES



I-BEAM	FLANGE WIDTH
S8" - 12.5#	3.98"
S8" - 18.4#	4"
S10" - 25.4#	4.51"
S12" - 31.8#	5"
S15" - 42.9#	5.12"
S18" - 54.7#	6"
S24" - 80#	7"

T SERIES - ALL STEEL 8 - 10 TON - ALL ALUMINUM 1 - 2 TON

T SERIES - ALL STEEL											
A CAPACITY	B SPAN	C CLEAR SPAN	D OVERALL HEIGHT		E I-BEAM DEPTH	F CASTER FRAME SPREAD		G CASTER DIAMETER	H MAXIMUM LEG CLEARANCE	NET WEIGHT	MODEL
			MAXIMUM	MINIMUM		MAXIMUM	MINIMUM				
8 Ton	15	10'-0"	16'-8"	11'-8"	18"	10'-4"	8'-4"	12"	18"	2322	8T1515S
		8'-6"	20'-4"	13'-4"	18"	13'-1"	7'-8"	12"	19"	2584	8T1518S
		8'-4"	24'-3"	16'-2"	18"	15'-1"	9'-8"	12"	19"	3294	8T1523S
	20	15'-2"	16'-8"	11'-8"	18"	10'-4"	8'-4"	12"	20"	2766	8T2015S
		13'-7"	20'-4"	13'-4"	18"	13'-1"	7'-8"	12"	21"	3057	8T2018S
		13'-6"	24'-3"	16'-2"	18"	15'-1"	9'-8"	12"	21"	3686	8T2023S
	25	20'-4"	16'-8"	11'-8"	18"	10'-4"	8'-4"	12"	21"	3132	8T2515S
		18'-8"	20'-4"	13'-4"	18"	13'-1"	7'-8"	12"	22"	3564	8T2518S
		18'-6"	24'-3"	16'-2"	18"	15'-1"	9'-8"	12"	22"	4023	8T2523S
	30	25'-3"	16'-8"	11'-8"	24"	10'-4"	8'-4"	12"	21"	4646	8T3015S
		23'-8"	20'-4"	13'-4"	24"	13'-1"	7'-8"	12"	22"	5075	8T3018S
		23'-6"	24'-3"	16'-2"	24"	15'-1"	9'-8"	12"	22"	5884	8T3023S
35	30'-4"	16'-8"	11'-8"	24"	10'-4"	8'-4"	12"	23"	5198	8T3515S	
	28'-11"	20'-4"	13'-4"	24"	13'-1"	7'-8"	12"	25"	5680	8T3518S	
	28'-8"	24'-3"	16'-2"	24"	15'-1"	9'-8"	12"	24"	6099	8T3523S	
40	35'-4"	16'-8"	11'-8"	24"	10'-4"	8'-4"	12"	23"	5655	8T4015S	
	33'-11"	20'-4"	13'-4"	24"	13'-1"	7'-8"	12"	25"	6085	8T4018S	
	33'-2"	24'-3"	16'-2"	24"	15'-1"	9'-8"	12"	24"	6544	8T4023S	
10 Ton	15	10'-2"	16'-8"	11'-8"	18"	10'-4"	8'-4"	12"	20"	2480	10T1515S
		8'-7"	20'-4"	13'-4"	18"	13'-1"	7'-8"	12"	21"	2898	10T1518S
		8'-6"	24'-3"	16'-2"	18"	15'-1"	9'-8"	12"	21"	3719	10T1523S
	20	15'-3"	16'-8"	11'-8"	24"	10'-4"	8'-4"	12"	21"	3275	10T2015S
		13'-8"	20'-4"	13'-4"	24"	13'-1"	7'-8"	12"	22"	3686	10T2018S
		13'-6"	24'-3"	16'-2"	24"	15'-1"	9'-8"	12"	22"	4516	10T2023S
	25	20'-4"	16'-8"	11'-8"	24"	10'-4"	8'-4"	12"	23"	3917	10T2515S
		18'-11"	20'-4"	13'-4"	24"	13'-1"	7'-8"	12"	25"	4335	10T2518S
		18'-8"	24'-3"	16'-2"	24"	15'-1"	9'-8"	12"	24"	5155	10T2523S
	30	25'-4"	16'-8"	11'-8"	24"	10'-4"	8'-4"	12"	23"	4845	10T3015S
		23'-11"	20'-4"	13'-4"	24"	13'-1"	7'-8"	12"	25"	5277	10T3018S
		23'-8"	24'-3"	16'-2"	24"	15'-1"	9'-8"	12"	24"	5730	10T3023S
35	30'-4"	16'-8"	11'-8"	24"	10'-4"	8'-4"	12"	23"	5350	10T3515S	
	28'-11"	20'-4"	13'-4"	24"	13'-1"	7'-8"	12"	25"	5782	10T3518S	
	28'-8"	24'-3"	16'-2"	24"	15'-1"	9'-8"	12"	24"	6235	10T3523S	
40	35'-4"	16'-8"	11'-8"	24"	10'-4"	8'-4"	12"	23"	5855	10T4015S	
	33'-11"	20'-4"	13'-4"	24"	13'-1"	7'-8"	12"	25"	6287	10T4018S	
	33'-8"	24'-3"	16'-2"	24"	15'-1"	9'-8"	12"	24"	6740	10T4023S	

*capped I-beam

T SERIES - ALL ALUMINUM												
A CAPACITY	B SPAN	C CLEAR SPAN	D OVERALL HEIGHT		E I-BEAM DEPTH	F CASTER FRAME SPREAD		G CASTER DIAMETER	H MAXIMUM LEG CLEARANCE	NET WEIGHT	MODEL	
			MAXIMUM	MINIMUM		MAXIMUM	MINIMUM					
1 Ton	10'	6'-0"	8'-0"	5'-0"	6"	5'-10"	3'-10"	6"	13"	275	1T108A	
		5'-8"	9'-7"	7'-2"	6"	5'-10"	3'-10"	6"	10"	299	1T108A	
		5'-10"	11'-7"	8'-6"	6"	9'-10"	5'-10"	6"	14"	380	1T1012A	
		5'-8"	15'-5"	10'-2"	6"	9'-10"	5'-10"	6"	11"	480	1T1015A	
		5'-8"	18'-2"	11'-8"	6"	12'-10"	7'-4"	6"	12"	650	1T1018A	
	15'	5'-7"	21'-9"	13'-2"	8"	12'-10"	7'-4"	6"	11"	710	1T1021A	
		10'-10"	9'-7"	7'-2"	10"	5'-10"	3'-10"	6"	11"	299	1T158A	
		10'-10"	11'-8"	8'-8"	10"	9'-10"	5'-10"	6"	16"	340	1T1512A	
		10'-8"	15'-6"	10'-4"	10"	9'-10"	5'-10"	6"	13"	530	1T1515A	
		10'-8"	18'-4"	11'-10"	12"	12'-10"	7'-4"	6"	16"	665	1T1518A	
	2 Ton	10'	10'-8"	21'-11"	13'-4"	12"	12'-10"	7'-4"	6"	14"	770	1T1521A
			5'-11"	13'-0"	9'-6"	12"	9'-10"	5'-10"	8"	17"	540	2T1012A
5'-8"			15'-8"	10'-6"	12"	9'-10"	5'-10"	8"	15"	630	2T1015A	
10'-8"			13'-0"	9'-8"	12"	9'-10"	5'-10"	8"	17"	565	2T1512A	
10'-8"			15'-8"	10'-6"	12"	9'-10"	5'-10"	8"	15"	665	2T1515A	

T SERIES GANTRY CRANES

T SERIES - ALUMINUM I-BEAM											
CAPACITY	SPAN	CLEAR SPAN	OVERALL HEIGHT		I-BEAM DEPTH	CASTER FRAME SPREAD		CASTER DIAMETER	MAXIMUM LEG CLEARANCE	NET WEIGHT	MODEL
			MAXIMUM	MINIMUM		MAXIMUM	MINIMUM				
1 Ton	10	5'-9"	10-7"	8-7"	6"	7-1"	4-7"	6"	10"	515	1T109SA
		5-9"	13-2"	8-2"	8"	10-2"	6-2"	6"	13"	841	1T1012SA
		5-8"	16-0"	10-5"	8"	10-2"	6-2"	6"	11"	781	1T1015SA
		5-7"	19-2"	12-2"	8"	13-1"	7-7"	6"	12"	1053	1T1018SA
		5-7"	22-2"	14-7"	8"	13-1"	7-7"	6"	11"	1167	1T1021SA
	15	10-10"	10-7"	8-7"	10"	7-1"	4-7"	6"	13"	685	1T159SA
		10-9"	13-2"	8-2"	10"	10-2"	6-2"	6"	15"	712	1T1512SA
		10-8"	16-0"	10-5"	10"	10-2"	6-2"	6"	13"	853	1T1515SA
		10-7"	19-2"	12-2"	10"	13-1"	7-7"	6"	14"	1154	1T1518SA
		10-7"	22-2"	14-7"	12"	13-1"	7-7"	6"	14"	1302	1T1521SA
2 Ton	10	5-6"	10-10"	7-0"	10"	7-1"	4-7"	8"	13"	559	2T109SA
		5-5"	13-0"	8-4"	10"	10-2"	6-2"	8"	14"	785	2T1012SA
		5-4"	16-3"	10-7"	10"	10-2"	6-2"	8"	12"	957	2T1015SA
		5-3"	19-5"	12-4"	10"	13-1"	7-7"	8"	13"	1116	2T1018SA
		5-2"	22-4"	14-9"	10"	13-1"	7-7"	8"	13"	1382	2T1021SA
	15	10-8"	11-0"	7-2"	12"	7-7"	4-7"	8"	14"	636	2T159SA
		10-6"	13-2"	8-6"	12"	10-2"	6-2"	8"	17"	842	2T1512SA
		10-4"	16-5"	10-9"	12"	10-2"	6-2"	8"	14"	1034	2T1515SA
		10-4"	19-7"	12-6"	12"	13-1"	7-7"	8"	15"	1193	2T1518SA
		10-3"	22-6"	14-11"	12"	13-1"	7-7"	8"	14"	1439	2T1521SA
3 Ton	10	5-6"	11-1"	7-3"	10"	7-1"	4-7"	8"	14"	668	3T109SA
		5-4"	13-4"	8-8"	10"	10-2"	6-2"	8"	16"	888	3T1012SA
		5-3"	16-7"	10-10"	12"	10-2"	6-2"	8"	15"	1142	3T1015SA
		3-8"	19-8"	12-8"	12"	13-1"	7-7"	8"	16"	1250	3T1018SA
		10-6"	11-1"	7-3"	12"	7-1"	4-7"	8"	15"	690	3T159SA
	15	10-5"	13-4"	8-8"	12"	10-2"	6-2"	8"	18"	910	3T1512SA
		10-3"	16-7"	10-10"	12"	10-2"	6-2"	8"	15"	1143	3T1515SA
		8-8"	19-8"	12-8"	12"	13-1"	7-7"	8"	16"	1251	3T1518SA

I-BEAM	FLANGE WIDTH
AL6" - 3.43W	3"
AL8" - 4.3W	3.39"
AL8" - 6.36W	4"
AL10" - 8.76W	4.56"
AL12" - 10.99W	5"

*capped I-beam



Cart Kits-

Attach to caster frames to transform the disassembled gantry into a transportable handcart.

KIT NO.	DESCRIPTION	NET WT.
TCK1-2	1-2TON MODELS	46
TCK3-5	3-5TON MODELS	55
TCK8-10	8-10TON MODELS	94

KIT NO.	DESCRIPTION	NET WT.
THA 1-5	For Gantry Cap. 1-5ton	94
THA 8-10	For Gantry Cap. 8-10ton	97

Detachable height adjustment kits- Convenient for frequent height adjustments. Eliminates the need for an overhead hoist or forklift truck. Kits consist of two units and include models to handle gantry capacities to 10 tons. Since only one end of the gantry can be adjusted at a time, order two kits to eliminate transfer of kits from end to end. (To be used under no load conditions only.)

Motorized gantries available, see page 19 for details.



A SERIES GANTRY CRANES

A SERIES

All steel construction, adjustable and fixed height capacities to 10 tons.
 -maximum under beam heights to 16 ft. -standard spans to 40 ft.

All aluminum construction, adjustable height/span capacities to two tons.
 -maximum under beam heights to 12'-2" -standard spans to 15 ft.

Motorized option not available.

Not recommended for use with motor driven hoist trolley.

Spring-loaded height adjustment

Six inch incremental height adjustment
 secures with spring-loaded steel locking
 pins, which automatically engage when
 height positioning holes are reached.



Adjustable Span allows easy width adjustment without drilling the I-beam.

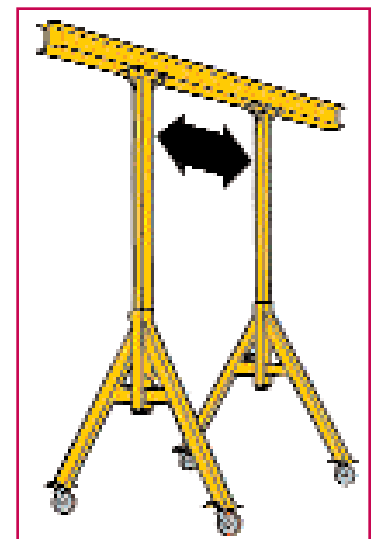
The kit is standard on all aluminum models and is optional on steel models. Does not require factory installation.

Casters

Four-position, swivel lock casters with moldon polyurethane wheels protect floors from damage.



Adjustable Span Kit

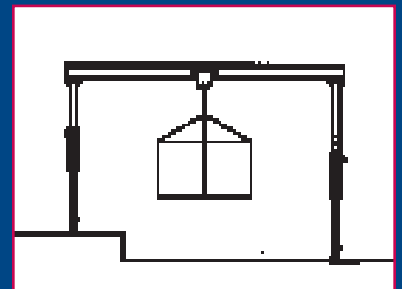
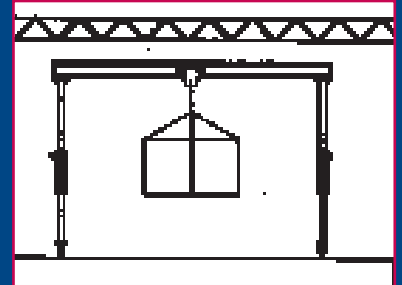
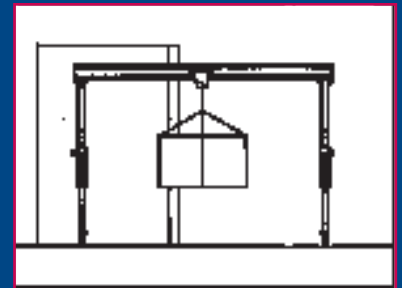


I-BEAM DEPTH	PART NO.
6"	6AS
8"	8AS
10"	10AS
12"	12AS
16"	16AS
18"	18AS
24"	24AS



A SERIES GANTRY CRANES

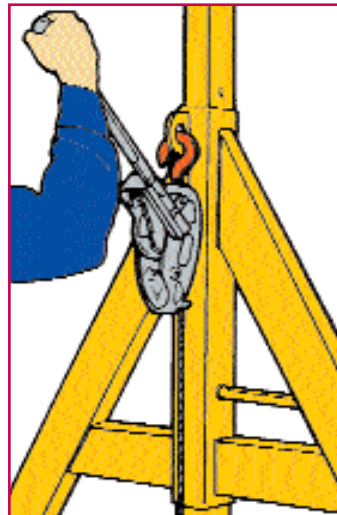
*Moves through doorways,
under obstructions, lifts on
uneven surfaces*



Option

LUG-ALL winch-hoist kit- Adjusts the gantry height according to job specific lifting requirements and/or movement through doorways. The kit includes two LUG-ALL cable winch-hoists. For use with A Series gantries only. (To be used under no load condition only).

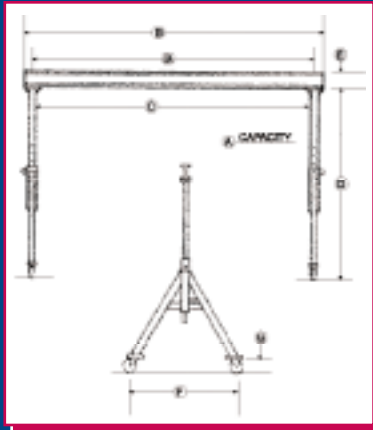
Not for use with E Series Adjustable Height Gantries.



WEIGHT	PART NO.
18 pounds	09015
20 pounds	09090*

*For use with gantries weighing over 3,000 lb., including weight of hoist and trolleys

A SERIES GANTRY CRANES



I-BEAM	FLANGE WIDTH
S8" - 12.5#	3 3/8"
S8" - 18.4#	4"
S10" - 25.4#	4 5/8"
S12" - 31.8#	5"
S15" - 42.9#	5 1/2"
S18" - 54.7#	6"
S24" - 80#	7"

A SERIES - STEEL ADJUSTABLE HEIGHT												
A CAP.	B OVER- ALL SPAN	B1 SPAN BETWEEN WHEEL CENTERS	C CLEAR SPAN	D HEIGHT		E I-BEAM DEPTH	F TREAD	G CASTER DIA.	WITH BEAM		WITHOUT BEAM	
				MAX.	MIN.				WEIGHT	MODEL	WEIGHT	MODEL
1 Ton	8	7'-3"	6'-11"	10'-2"	7'-2"	6"	55"	6"	404	1A0810B	304	1A0810WDB
		7'-3"	6'-11"	12'-8"	9'-8"	6"	55"	6"	428	1A0812B	328	1A0812WDB
		7'-3"	6'-10"	15'-6"	12'-0"	6"	66"	8"	684	1A0815B	584	1A0815WDB
	10	9'-3"	8'-11"	10'-2"	7'-2"	6"	55"	6"	429	1A1010B	304	1A1010WDB
		9'-3"	8'-11"	12'-8"	9'-8"	6"	55"	6"	453	1A1012B	328	1A1012WDB
		9'-3"	8'-10"	15'-6"	12'-0"	6"	66"	8"	719	1A1015B	584	1A1015WDB
	12	11'-3"	10'-11"	10'-2"	7'-2"	6"	55"	6"	454	1A1210B	304	1A1210WDB
		11'-3"	10'-11"	12'-8"	9'-8"	6"	55"	6"	478	1A1212B	328	1A1212WDB
		11'-3"	10'-10"	15'-6"	12'-0"	6"	66"	8"	744	1A1215B	584	1A1215WDB
	15	14'-3"	13'-11"	10'-2"	7'-2"	9"	55"	6"	533	1A1510B	304	1A1510WDB
		14'-3"	13'-11"	12'-8"	9'-8"	9"	55"	6"	557	1A1512B	328	1A1512WDB
		14'-3"	13'-10"	15'-6"	12'-0"	9"	66"	8"	823	1A1515B	584	1A1515WDB
20	19'-3"	18'-11"	10'-2"	7'-2"	10"	55"	6"	912	1A2010B	304	1A2010WDB	
	19'-3"	18'-11"	12'-8"	9'-8"	10"	55"	6"	936	1A2012B	328	1A2012WDB	
	19'-3"	18'-10"	15'-6"	12'-0"	10"	66"	8"	1102	1A2015B	584	1A2015WDB	
25	24'-3"	23'-11"	10'-2"	7'-2"	12"	55"	6"	903	1A2510B	304	1A2510WDB	
	24'-3"	23'-11"	12'-8"	9'-8"	12"	55"	6"	927	1A2512B	328	1A2512WDB	
	24'-3"	23'-10"	15'-6"	12'-0"	12"	66"	8"	1193	1A2515B	584	1A2515WDB	
30	29'-1"	28'-8"	12'-6"	9'-0"	15"	66"	8"	1822	1A3012B	535	1A3012WDB	
	29'-1"	28'-8"	15'-6"	12'-0"	15"	66"	8"	1981	1A3015B	584	1A3015WDB	
	34'-1"	33'-8"	12'-6"	9'-0"	18"	66"	8"	2036	1A3512B	535	1A3512WDB	
35	34'-1"	33'-8"	15'-6"	12'-0"	18"	66"	8"	2085	1A3515B	584	1A3515WDB	
	39'-1"	38'-8"	12'-6"	9'-0"	18"	66"	8"	2154	1A4012B	535	1A4012WDB	
	39'-1"	38'-8"	15'-6"	12'-0"	18"	66"	8"	2213	1A4015B	584	1A4015WDB	
2 Ton	10	9'-3"	8'-10"	12'-6"	9'-0"	9"	66"	8"	719	2A1012B	535	2A1012WDB
		9'-3"	8'-10"	15'-6"	12'-0"	9"	66"	8"	778	2A1015B	584	2A1015WDB
	15	14'-3"	13'-10"	12'-6"	9'-0"	10"	66"	8"	916	2A1512B	535	2A1512WDB
		14'-3"	13'-10"	15'-6"	12'-0"	10"	66"	8"	975	2A1515B	584	2A1515WDB
	20	19'-3"	18'-10"	12'-6"	9'-0"	12"	66"	8"	1171	2A2012B	535	2A2012WDB
		19'-3"	18'-10"	15'-6"	12'-0"	12"	66"	8"	1230	2A2015B	584	2A2015WDB
	25	24'-1"	23'-8"	12'-6"	9'-0"	15"	66"	8"	1608	2A2512B	535	2A2512WDB
		24'-1"	23'-8"	15'-6"	12'-0"	15"	66"	8"	1657	2A2515B	584	2A2515WDB
	30	29'-1"	28'-8"	12'-6"	9'-0"	18"	66"	8"	2176	2A3012B	535	2A3012WDB
		29'-1"	28'-8"	15'-6"	12'-0"	18"	66"	8"	2235	2A3015B	584	2A3015WDB
	35	34'-1"	33'-8"	12'-6"	9'-0"	18"	66"	8"	2449	2A3512B	535	2A3512WDB
		34'-1"	33'-8"	15'-6"	12'-0"	18"	66"	8"	2508	2A3515B	584	2A3515WDB
40	39'-1"	38'-8"	12'-6"	9'-0"	18"	66"	8"	3136	2A4012B	535	2A4012WDB	
	39'-1"	38'-8"	15'-6"	12'-0"	18"	66"	8"	3195	2A4015B	584	2A4015WDB	
3 Ton	10	9'-1"	8'-7"	12'-10"	9'-4"	10"	66"	8"	793	3A1012B	609	3A1012WDB
		9'-1"	8'-7"	15'-10"	12'-4"	10"	66"	8"	857	3A1015B	673	3A1015WDB
	15	14'-1"	13'-7"	12'-10"	9'-4"	10"	66"	8"	990	3A1512B	609	3A1512WDB
		14'-1"	13'-7"	15'-10"	12'-4"	10"	66"	8"	1054	3A1515B	673	3A1515WDB
	20	19'-1"	18'-7"	12'-10"	9'-4"	15"	66"	8"	1489	3A2012B	609	3A2012WDB
		19'-1"	18'-7"	15'-10"	12'-4"	15"	66"	8"	1533	3A2015B	673	3A2015WDB
	25	24'-1"	23'-7"	12'-10"	9'-4"	18"	66"	8"	2021	3A2512B	654	3A2512WDB
		24'-1"	23'-7"	15'-10"	12'-4"	18"	66"	8"	2065	3A2515B	699	3A2515WDB
	30	29'-1"	28'-7"	12'-10"	9'-4"	18"	66"	8"	2601	3A3012B	654	3A3012WDB
		29'-1"	28'-7"	15'-10"	12'-4"	18"	66"	8"	2645	3A3015B	699	3A3015WDB
	35	34'-1"	33'-7"	12'-10"	9'-4"	18"	66"	8"	3239	3A3512B	654	3A3512WDB
		34'-1"	33'-7"	15'-10"	12'-4"	18"	66"	8"	3283	3A3515B	699	3A3515WDB
40	39'-1"	38'-7"	12'-10"	9'-4"	18"	66"	8"	3670	3A4012B	654	3A4012WDB	
	39'-1"	38'-7"	15'-10"	12'-4"	18"	66"	8"	3715	3A4015B	699	3A4015WDB	

*capped I-beam

A SERIES - STEEL ADJUSTABLE HEIGHT 1 - 2 - 3 TON

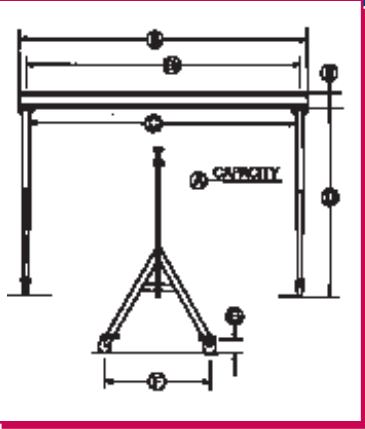
A SERIES GANTRY CRANES

A SERIES - STEEL - ADJUSTABLE HEIGHT													
A CAP.	B OVER- ALL SPAN	B1 SPAN BETWEEN WHEEL CENTERS		C CLEAR SPAN	D HEIGHT		E I-BEAM DEPTH	F TREAD	G CASTER DIA.	WITH BEAM		WITHOUT BEAM	
					MAX.	MIN.				WEIGHT	MODEL	WEIGHT	MODEL
5 Ton	10'	9'-1"	9'-7"	9'-7"	12'-10"	9'-4"	10"	6'-6"	8"	1040	5A1012B	795	5A1012WDB
		9'-1"	9'-7"	9'-7"	15'-10"	12'-4"	10"	6'-6"	8"	1124	5A1015B	970	5A1015WDB
	15'	14'-1"	13'-7"	12'-10"	9'-4"	15"	6'-6"	8"	1430	5A1512B	795	5A1512WDB	
		14'-1"	13'-7"	15'-10"	12'-4"	15"	6'-6"	8"	1514	5A1515B	970	5A1515WDB	
	20'	19'-1"	19'-7"	12'-10"	9'-4"	19"	6'-6"	8"	1990	5A2012B	795	5A2012WDB	
		19'-1"	19'-7"	15'-10"	12'-4"	19"	6'-6"	8"	1964	5A2015B	970	5A2015WDB	
	25'	24'-1"	23'-7"	12'-10"	9'-4"	19"	6'-6"	8"	2414	5A2512B	795	5A2512WDB	
		24'-1"	23'-7"	15'-10"	12'-4"	19"	6'-6"	8"	2498	5A2515B	970	5A2515WDB	
30'	29'-1"	29'-7"	12'-10"	9'-4"	19"	6'-6"	8"	2733	5A3012B	795	5A3012WDB		
	29'-1"	29'-7"	15'-10"	12'-4"	19"	6'-6"	8"	2817	5A3015B	970	5A3015WDB		
35'	34'-1"	33'-7"	12'-10"	9'-4"	19"	6'-6"	8"	3150	5A3512B	795	5A3512WDB		
	34'-1"	33'-7"	15'-10"	12'-4"	19"	6'-6"	8"	3408	5A3515B	970	5A3515WDB		
40'	39'-1"	39'-7"	12'-10"	9'-4"	24"	6'-6"	8"	3995	5A4012B	795	5A4012WDB		
	39'-1"	39'-7"	15'-10"	12'-4"	24"	6'-6"	8"	4070	5A4015B	970	5A4015WDB		
7 1/2 Ton	10'	9'-1"	9'-7"	13'-0"	9'-0"	12"	6'-6"	12"	1398	7A1013B	1080	7A1013WDB	
		9'-1"	9'-7"	15'-0"	12'-0"	12"	6'-6"	12"	1500	7A1016B	1192	7A1016WDB	
	15'	14'-1"	13'-7"	13'-0"	9'-0"	19"	6'-6"	12"	1900	7A1513B	1080	7A1513WDB	
		14'-1"	13'-7"	15'-0"	12'-0"	19"	6'-6"	12"	2002	7A1516B	1192	7A1516WDB	
	20'	19'-1"	19'-7"	13'-0"	9'-0"	19"	6'-6"	12"	2373	7A2013B	1080	7A2013WDB	
		19'-1"	19'-7"	15'-0"	12'-0"	19"	6'-6"	12"	2475	7A2016B	1192	7A2016WDB	
	25'	24'-1"	23'-7"	13'-0"	9'-0"	19"	6'-6"	12"	2490	7A2513B	1080	7A2513WDB	
		24'-1"	23'-7"	15'-0"	12'-0"	19"	6'-6"	12"	2592	7A2516B	1192	7A2516WDB	
30'	29'-1"	29'-7"	13'-0"	9'-0"	24"	6'-6"	12"	3519	7A3013B	1080	7A3013WDB		
	29'-1"	29'-7"	15'-0"	12'-0"	24"	6'-6"	12"	3621	7A3016B	1192	7A3016WDB		
35'	34'-1"	33'-7"	13'-0"	9'-0"	24"	6'-6"	12"	4415	7A3513B	1080	7A3513WDB		
	34'-1"	33'-7"	15'-0"	12'-0"	24"	6'-6"	12"	4517	7A3516B	1192	7A3516WDB		
40'	39'-1"	39'-7"	13'-0"	9'-0"	24"	6'-6"	12"	4992	7A4013B	1080	7A4013WDB		
	39'-1"	39'-7"	15'-0"	12'-0"	24"	6'-6"	12"	4994	7A4016B	1192	7A4016WDB		
10 Ton	10'	9'-1"	9'-7"	13'-0"	9'-0"	19"	6'-6"	12"	1921	10A1013B	1374	10A1013WDB	
		9'-1"	9'-7"	15'-0"	12'-0"	19"	6'-6"	12"	2057	10A1016B	1510	10A1016WDB	
	15'	14'-1"	13'-7"	13'-0"	9'-0"	19"	6'-6"	12"	2194	10A1513B	1374	10A1513WDB	
		14'-1"	13'-7"	15'-0"	12'-0"	19"	6'-6"	12"	2330	10A1516B	1510	10A1516WDB	
	20'	19'-1"	19'-7"	13'-0"	9'-0"	24"	6'-6"	12"	2964	10A2013B	1374	10A2013WDB	
		19'-1"	19'-7"	15'-0"	12'-0"	24"	6'-6"	12"	3110	10A2016B	1510	10A2016WDB	
	25'	24'-1"	23'-7"	13'-0"	9'-0"	24"	6'-6"	12"	3634	10A2513B	1374	10A2513WDB	
		24'-1"	23'-7"	15'-0"	12'-0"	24"	6'-6"	12"	3770	10A2516B	1510	10A2516WDB	
30'	29'-1"	29'-7"	13'-0"	9'-0"	24"	6'-6"	12"	4395	10A3013B	1374	10A3013WDB		
	29'-1"	29'-7"	15'-0"	12'-0"	24"	6'-6"	12"	4531	10A3016B	1510	10A3016WDB		
35'	34'-1"	33'-7"	13'-0"	9'-0"	24"	6'-6"	12"	4999	10A3513B	1374	10A3513WDB		
	34'-1"	33'-7"	15'-0"	12'-0"	24"	6'-6"	12"	5035	10A3516B	1510	10A3516WDB		
40'	39'-1"	39'-7"	13'-0"	9'-0"	24"	6'-6"	12"	5402	10A4013B	1374	10A4013WDB		
	39'-1"	39'-7"	15'-0"	12'-0"	24"	6'-6"	12"	5538	10A4016B	1510	10A4016WDB		

*capped I-beam

A SERIES - STEEL ADJUSTABLE HEIGHT 5 - 7 1/2 - 10 TON

A SERIES GANTRY CRANES



I-BEAM	FLANGE WIDTH
S6" - 12.5#	3.90"
S8" - 18.4#	4"
S10" - 25.4#	4.50"
S12" - 31.8#	5"
S15" - 42.9#	5.12"
S18" - 54.7#	6"
S24" - 80#	7"

A SERIES - STEEL FIXED HEIGHT											
A CAP.	B OVER- ALL SPAN	B1 SPAN BETWEEN WHEEL CENTERS	C CLEAR SPAN	D HEIGHT	E I-BEAM DEPTH	F TREAD	G CASTER DIA.	WITH-BEAM		WITHOUT-BEAM	
								WGHT	MODEL	WGHT	MODEL
1 Ton	8'	7'-3"	6'-11"	10'-0"	6"	5'-5"	6"	320	1F0810B	220	1F0810WDB
	10'	9'-3"	8'-11"	10'-0"	6"	5'-5"	6"	345	1F1010B	220	1F1010WDB
	12'	11'-3"	10'-11"	10'-0"	6"	5'-5"	6"	370	1F1210B	220	1F1210WDB
	15'	14'-3"	13'-11"	10'-0"	8"	5'-5"	6"	450	1F1510B	220	1F1510WDB
	20'	19'-3"	18'-11"	10'-0"	10"	5'-5"	6"	728	1F2010B	220	1F2010WDB
	25'	24'-3"	23'-11"	10'-0"	12"	5'-5"	6"	1097	1F2510B	220	1F2510WDB
	30'	29'-1"	28'-8"	10'-0"	15"	6'-6"	8"	1345	1F3010B	420	1F3010WDB
	35'	34'-1"	33-8"	10'-0"	15"	6'-6"	8"	1921	1F3510B	420	1F3510WDB
2 Ton	10'	9'-3"	8'-10"	10'-0"	8"	6'-6"	8"	612	2F1010B	428	2F1010WDB
	15'	14'-3"	13'-10"	10'-0"	10"	6'-6"	8"	909	2F1510B	428	2F1510WDB
	20'	19'-3"	18'-10"	10'-0"	12"	6'-6"	8"	1054	2F2010B	428	2F2010WDB
	25'	24'-1"	23'-8"	10'-0"	15"	6'-6"	8"	1501	2F2510B	428	2F2510WDB
	30'	29'-1"	28'-8"	10'-0"	15"	6'-6"	8"	2069	2F3010B	428	2F3010WDB
	35'	34'-1"	33-8"	10'-0"	18"	6'-6"	8"	2342	2F3510B	428	2F3510WDB
	40'	39'-1"	38-8"	10'-0"	18"	6'-6"	8"	3029	2F4010B	428	2F4010WDB
	3 Ton	10'	9'-1"	8'-7"	12'-10"	10"	6'-6"	8"	739	3F1012B	555
15'		14'-1"	13-7"	12'-10"	10"	6'-6"	8"	936	3F1512B	555	3F1512WDB
20'		19'-1"	18-7"	12'-10"	15"	6'-6"	8"	1413	3F2012B	555	3F2012WDB
25'		24'-1"	23-7"	12'-10"	18"	6'-6"	8"	1968	3F2512B	600	3F2512WDB
30'		29'-1"	28-7"	12'-10"	18"	6'-6"	8"	2842	3F3012B	600	3F3012WDB
35'		34'-1"	33-7"	12'-10"	18"	6'-6"	8"	2551	3F3512B	600	3F3512WDB
40'		39'-1"	38-7"	12'-10"	18"	6'-6"	8"	2840	3F4012B	600	3F4012WDB
5 Ton		10'	9'-1"	8'-7"	15'-10"	10"	6'-6"	8"	1060	5F1015B	805
	15'	14'-1"	13-7"	15'-10"	15"	6'-6"	8"	1450	5F1515B	805	5F1515WDB
	20'	19'-1"	18-7"	15'-10"	18"	6'-6"	8"	1900	5F2015B	805	5F2015WDB
	25'	24'-1"	23-7"	15'-10"	18"	6'-6"	8"	2434	5F2515B	805	5F2515WDB
	30'	29'-1"	28-7"	15'-10"	18"	6'-6"	8"	2793	5F3015B	805	5F3015WDB
	35'	34'-1"	33-7"	15'-10"	18"	6'-6"	8"	3445	5F3515B	805	5F3515WDB
	40'	39'-1"	38-7"	15'-10"	24"	6'-6"	8"	4934	5F4015B	805	5F4015WDB
	7 1/2 Ton	10'	9'-1"	8'-7"	16'-0"	12"	6'-6"	12"	1437	7F1016B	1119
15'		14'-1"	13-7"	16'-0"	18"	6'-6"	12"	1938	7F1516B	1119	7F1516WDB
20'		19'-1"	18-7"	16'-0"	18"	6'-6"	12"	2411	7F2016B	1119	7F2016WDB
25'		24'-1"	23-7"	16'-0"	18"	6'-6"	12"	3004	7F2516B	1119	7F2516WDB
30'		29'-1"	28-7"	16'-0"	24"	6'-6"	12"	4140	7F3016B	1119	7F3016WDB
35'		34'-1"	33-7"	16'-0"	24"	6'-6"	12"	4542	7F3516B	1119	7F3516WDB
40'		39'-1"	38-7"	16'-0"	24"	6'-6"	12"	5145	7F4016B	1119	7F4016WDB
10 Ton		10'	9'-1"	8'-7"	16'-0"	18"	6'-6"	12"	1957	10F1016B	1410
	15'	14'-1"	13-7"	16'-0"	18"	6'-6"	12"	2220	10F1516B	1410	10F1516WDB
	20'	19'-1"	18-7"	16'-0"	24"	6'-6"	12"	3010	10F2016B	1410	10F2016WDB
	25'	24'-1"	23-7"	16'-0"	24"	6'-6"	12"	3570	10F2516B	1410	10F2516WDB
	30'	29'-1"	28-7"	16'-0"	24"	6'-6"	12"	4431	10F3016B	1410	10F3016WDB
	35'	34'-1"	33-7"	16'-0"	24"	6'-6"	12"	4935	10F3516B	1410	10F3516WDB
	40'	39'-1"	38-7"	16'-0"	24"	6'-6"	12"	5139	10F4016B	1410	10F4016WDB

*capped I-beam

A SERIES - STEEL FIXED HEIGHT 1 - 2 - 3 - 5 - 7 1/2 - 10 TON

A SERIES - ALUMINUM ADJUSTABLE HEIGHT /SPAN

A CAP.	B OVER- ALL SPAN	B1 SPAN BETWEEN WHEEL CENTERS	C CLEAR SPAN	D HEIGHT		E I-BEAM DEPTH	F TREAD	G CASTER DIA.	WITH I-BEAM	
				MAX.	MIN.				WEIGHT	MODEL
1/2 Ton	8'	7'-3"	6'-11" ^{5/16"}	9'-0"	6'-6"	5"	4'-2"	6"	116	0.5ALU089B
		7'-3"	6'-11" ^{5/16"}	11'-0" ^{**}	8'-6" ^{***}	5"	4'-2"	6"	135	0.5ALU0811B
	10'	9'-3"	8'-11" ^{5/16"}	9'-0"	6'-6"	6"	4'-2"	6"	131	0.5ALU109B
		9'-3"	8'-11" ^{5/16"}	11'-0" ^{**}	8'-6" ^{***}	6"	4'-2"	6"	150	0.5ALU1011B
12'	11'-3"	10'-11" ^{5/16"}	9'-0"	6'-6"	8"	4'-2"	6"	164	0.5ALU129B	
	11'-3"	10'-11" ^{5/16"}	11'-0" ^{**}	8'-6" ^{***}	8"	4'-2"	6"	183	0.5ALU1211B	
15'	14'-3"	13'-11" ^{5/16"}	9'-0"	6'-6"	8"	4'-2"	6"	192	0.5ALU159B	
	14'-3"	13'-11" ^{5/16"}	11'-0" ^{**}	8'-6" ^{***}	8"	4'-2"	6"	211	0.5ALU1511B	
1 Ton	8'	7'-3"	6'-11"	8'-2"	5'-8"	6"	4'-6"	6"	150	1ALU0808B
		7'-3"	6'-11"	10'-2"	7'-8"	6"	4'-6"	6"	157	1ALU0810B
		7'-3"	6'-11"	12'-2" ^{****}	9'-8" ^{***}	6"	4'-6"	6"	197	1ALU0812B
	10'	9'-3"	8'-11"	8'-2"	5'-8"	8"	4'-6"	6"	180	1ALU1008B
		9'-3"	8'-11"	10'-2"	7'-8"	8"	4'-6"	6"	187	1ALU1010B
		9'-3"	8'-11"	12'-2" ^{****}	9'-8" ^{***}	8"	4'-6"	6"	227	1ALU1012B
	12'	11'-3"	10'-11"	8'-2"	5'-8"	8"	4'-6"	6"	192	1ALU1208B
		11'-3"	10'-11"	10'-2"	7'-8"	8"	4'-6"	6"	199	1ALU1210B
		11'-3"	10'-11"	12'-2" ^{****}	9'-8" ^{***}	8"	4'-6"	6"	239	1ALU1212B
	15'	14'-3"	13'-11"	8'-2"	5'-8"	10"	4'-6"	6"	248	1ALU1508B
		14'-3"	13'-11"	10'-2"	7'-8"	10"	4'-6"	6"	255	1ALU1510B
		14'-3"	13'-11"	12'-2" ^{****}	9'-8" ^{***}	10"	4'-6"	6"	295	1ALU1512B
18'	17'-3"	16'-11"	8'-2"	5'-8"	12" ^{**}	4'-4"	6"	389	1ALU1808B	
	17'-3"	16'-11"	10'-2"	7'-8"	12" ^{**}	4'-4"	6"	401	1ALU1810B	
	17'-3"	16'-11"	12'-2" ^{****}	9'-8" ^{***}	12" ^{**}	4'-4"	6"	439	1ALU1812B	
20'	19'-3"	18'-11"	8'-2"	5'-8"	12" ^{**}	4'-4"	6"	423	1ALU2008B	
	19'-3"	18'-11"	10'-2"	7'-8"	12" ^{**}	4'-4"	6"	435	1ALU2010B	
	19'-3"	18'-11"	12'-2" ^{****}	9'-8" ^{***}	12" ^{**}	4'-4"	6"	473	1ALU2012B	
2 Ton	8'	7'-3"	6'-11"	8'-2"	5'-8"	8"	4'-4"	6"	237	2ALU0808B-N
		7'-3"	6'-11"	10'-2"	7'-8"	8"	4'-4"	6"	246	2ALU0810B-N
		7'-3"	6'-11"	12'-2" ^{****}	9'-8" ^{***}	8"	4'-4"	6"	276	2ALU0812B-N
	10'	9'-3"	8'-11"	8'-2"	5'-8"	10"	4'-4"	6"	274	2ALU1008B-N
		9'-3"	8'-11"	10'-2"	7'-8"	10"	4'-4"	6"	286	2ALU1010B-N
		9'-3"	8'-11"	12'-2" ^{****}	9'-8" ^{***}	10"	4'-4"	6"	313	2ALU1012B-N
	12'	11'-3"	10'-11"	8'-2"	5'-8"	12"	4'-4"	6"	322	2ALU1208B-N
		11'-3"	10'-11"	10'-2"	7'-8"	12"	4'-4"	6"	334	2ALU1210B-N
		11'-3"	10'-11"	12'-2" ^{****}	9'-8" ^{***}	12"	4'-4"	6"	361	2ALU1212B-N
	15'	14'-3"	13'-11"	8'-2"	5'-8"	12"	4'-4"	6"	355	2ALU1508B-N
		14'-3"	13'-11"	10'-2"	7'-8"	12"	4'-4"	6"	367	2ALU1510B-N
		14'-3"	13'-11"	12'-2" ^{****}	9'-8" ^{***}	12"	4'-4"	6"	394	2ALU1512B-N
3 Ton	8'	7'-2"	6'-8 ^{1/2"}	8'-2"	6'-2"	12"	4'-8"	8"	350	3ALU0808B
		7'-2"	6'-8 ^{1/2"}	10'-2"	7'-8"	12"	4'-8"	8"	369	3ALU0810B
		7'-2"	6'-8 ^{1/2"}	12'-2" ^{****}	9'-8" ^{***}	12"	4'-8"	8"	416	3ALU0812B
	10'	9'-2"	8'-8 ^{1/2"}	8'-2"	6'-2"	12"	4'-8"	8"	372	3ALU1008B
		9'-2"	8'-8 ^{1/2"}	10'-2"	7'-8"	12"	4'-8"	8"	391	3ALU1010B
		9'-2"	8'-8 ^{1/2"}	12'-2" ^{****}	9'-8" ^{***}	12"	4'-8"	8"	438	3ALU1012B
	12'	11'-2"	10'-8 ^{1/2"}	8'-2"	6'-2"	12"	4'-8"	8"	426	3ALU1208B
		11'-2"	10'-8 ^{1/2"}	10'-2"	7'-8"	12"	4'-8"	8"	445	3ALU1210B
		11'-2"	10'-8 ^{1/2"}	12'-2" ^{****}	9'-8" ^{***}	12"	4'-8"	8"	491	3ALU1212B
	15'	14'-2"	13'-8 ^{1/2"}	8'-2"	6'-2"	12"	4'-8"	8"	467	3ALU1508B
		14'-2"	13'-8 ^{1/2"}	10'-2"	7'-8"	12"	4'-8"	8"	479	3ALU1510B
		14'-2"	13'-8 ^{1/2"}	12'-2" ^{****}	9'-8" ^{***}	12"	4'-8"	8"	532	3ALU1512B

A SERIES GANTRY CRANES

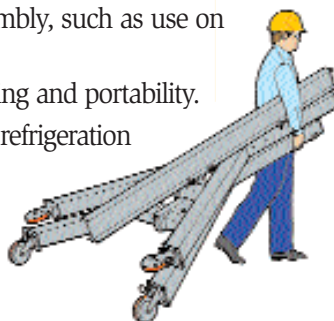
I-BEAM	FLANGE WIDTH
ALL6"-8.43W	3"
ALL8"-4.3W	3.94"
ALL8"-6.06W	4"
ALL10"-6.76W	4.58"
ALL12"-10.90W	5"



* Capped I-Beam
 ** 2' extension to top of gantry is removable and can be ordered separately to increase height of 9 foot models. For 1/2 ton models only.
 *** 2' extension to top of gantry is removable and can be ordered separately to increase height of 8 ft. or 10 ft. models. For 1 ton or 2 ton models only.

Aluminum Gantries

- Lightweight construction for easy portability.
- Ideal for constant assembly and disassembly, such as use on service trucks.
- Weights start at 116 lb. for easy maneuvering and portability.
- Corrosion resistant and suitable for use in refrigeration areas, clean rooms, and other controlled environments.
- Standard span adjustments.



Motorized option not available.

A SERIES - ALUMINUM ADJUSTABLE HEIGHT/SPAN 1 - 2 TON

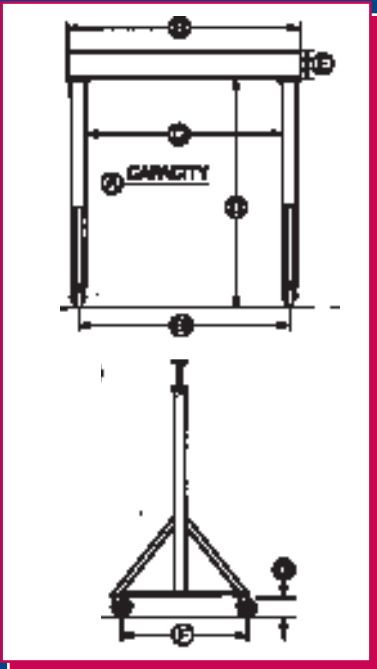
E SERIES GANTRY CRANES

E SERIES

Steel construction, fixed height capacities to five tons.

Steel construction, adjustable height/span capacities to three tons.

- Constructed with high-strength square mechanical tubing.
- Rolls easily on durable moldon polyurethane wheels.
- Wheel brakes, swivel locks, and other wheel and caster styles available.
- E series adjustable gantries provide a no-frills alternative to A series for moving loads up to three tons.
- Height adjustment at six inch increments.



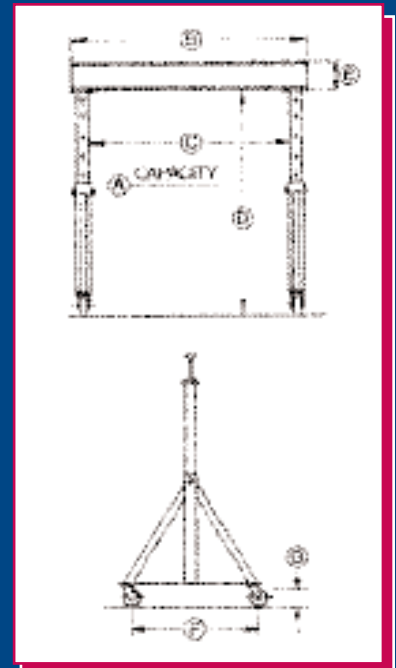
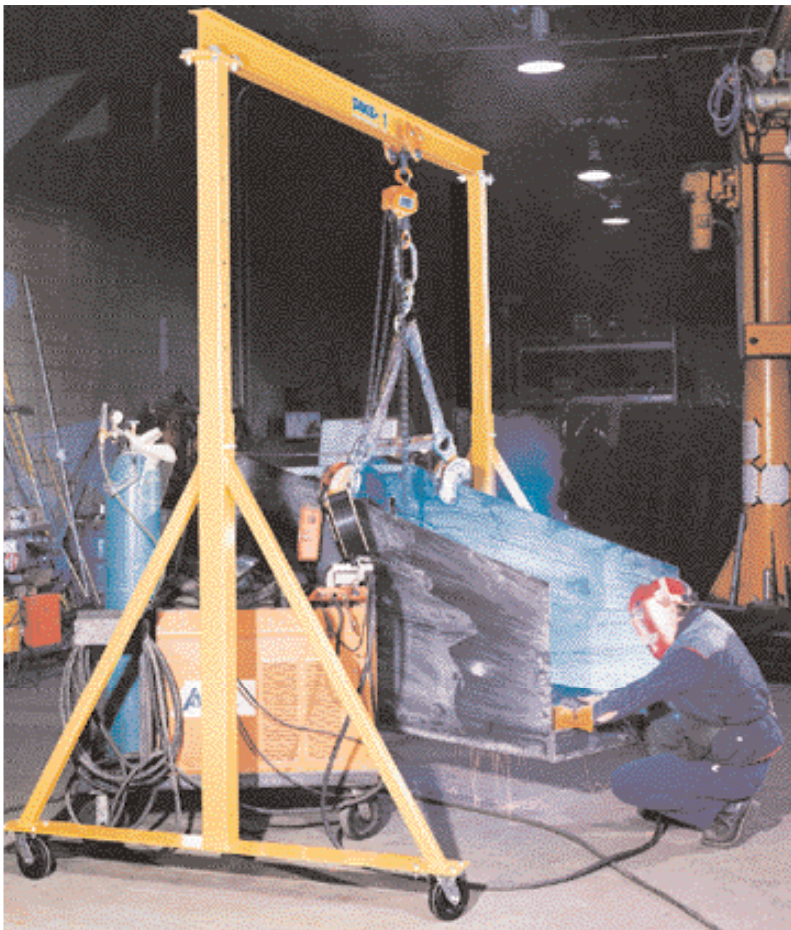
E SERIES - STEEL FIXED HEIGHT										
CAPACITY	B OVER ALL SPAN	C1 SPAN BETWEEN WHEEL CENTERS	C CLEAR SPAN	D HEIGHT	E I-BEAM DEPTH	F TREAD	G CASTER DIA.	WITH I-BEAM		WITHOUT I-BEAM
								WEIGHT	MODEL	WEIGHT
1Ton	12'	11'-3"	10-11"	10'	6"	64"	6"	364	F2000	204
2Ton	12'	11'-3"	10-11"	10'	8"	64"	6"	560	F4000	360
3Ton	12'	11'-3"	10-10"	10'	10"	64"	8"	719	F6000	414
5Ton	12'	11'-1"	10'-7"	10'	12"	64"	8"	925	F10000	543

I-BEAM	FLANGE WIDTH
S6" - 12.5#	3.918"
S6" - 18.4#	4"
S10" - 25.4#	4.518"
S12" - 31.8#	5"
S16" - 42.9#	6.122"
S18" - 54.7#	6"
S24" - 80#	7"



E SERIES - STEEL FIXED HEIGHT 1 - 2 - 3 - 5 TON

E SERIES GANTRY CRANES



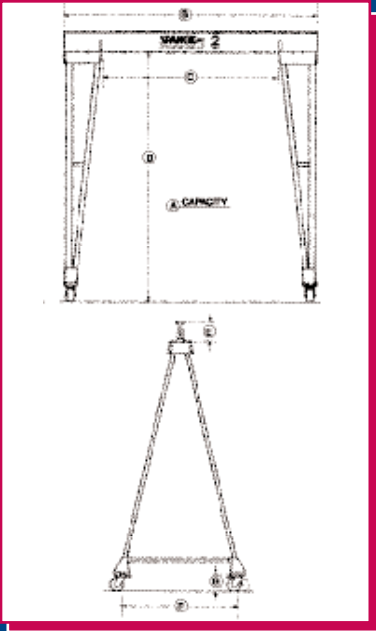
E SERIES - STEEL ADJUSTABLE HEIGHT / SPAN										
A CAP.	B OVERALL SPAN	C CLEAR SPAN		D UNDER BEAM		E I-BEAM DEPTH	F TREAD	G CASTER DIA.	WEIGHT	MODEL
		MAX	MIN.	MAX	MIN.					
1 Ton	11'-6"	10'-6"	4'-0"	7'-0"	4'-4"	6"	4'-0"	6"	351	1AW1007B
				9'-0"	5'-4"		5'-0"		394	1AW1008B
				10'-0"	5'-10"		5'-6"		415	1AW1010B
				12'-0"	6'-10"		6'-6"		430	1AW1012B
				14'-0"	7'-10"		7'-6"		504	1AW1014B
2 Ton	11'-6"	10'-6"	4'-0"	7'-0"	4'-4"	6"	4'-0"	6"	443	2AW1007B
				9'-0"	5'-4"		5'-0"		479	2AW1008B
				10'-0"	5'-10"		5'-6"		539	2AW1010B
				12'-0"	6'-10"		6'-6"		583	2AW1012B
				14'-0"	7'-10"		7'-6"		748	2AW1014B
3 Ton	11'-6"	10'-6"	4'-0"	7'-0"	4'-4"	10"	4'-0"	6"	543	3AW1007B
				9'-0"	5'-4"		5'-0"		658	3AW1008B
				10'-0"	5'-10"		5'-6"		694	3AW1010B
				12'-0"	6'-10"		6'-6"		803	3AW1012B
				14'-0"	7'-10"		7'-6"		881	3AW1014B

I-BEAM	FLANGE WIDTH
96" - 12.5"	3.90"
96" - 18.4"	4"
91.0" - 25.4"	4.58"
91.2" - 31.8"	5"
91.6" - 42.9"	6.12"
91.8" - 54.7"	6"
93.4" - 80"	7"

LUG-ALL winch-hoist kits not available for height adjustment of E Series gantries.

E SERIES - STEEL ADJUSTABLE HEIGHT/SPAN 1 - 2 - 3 TON

PF SERIES GANTRY CRANES



I-BEAM	FLANGE WIDTH
88" - 125#	33#
88" - 164#	4"
101" - 254#	45#
112" - 316#	8"
115" - 420#	51#
118" - 547#	8"
124" - 80#	7"
24K - 100#	77#

PF SERIES

All steel construction capacities to 15 tons.

-maximum under beam heights to 35 ft.

-standard spans to 40 ft.
custom design spans to 60 ft.

Ideal for applications with the following conditions-

- An economical, versatile lifting system is needed to supplement an existing overhead lifting system.
- Your facility construction will not support jib or overhead cranes. Gantry cranes are self-supporting and travel directly on the floor.
- Your lifting volume is moderate and does not justify the cost of more expensive, permanently-installed equipment. Standard models are designed for CMAA Class C (moderate service).
- If you rent your facility, gantries can be moved from one location to another.
- Ideal for motorized track. *See page 19 for details.*



PF SERIES GANTRY CRANES

PF SERIES									
A CAP.	B OVER- ALL SPIN	C CLEAR SPIN	D HEIGHT UNDER BEAM	E BEEAM DEPTH	F TREAD	G CASTER	WEIGHT	MODEL	
1 Ton	15'	12'	20'	8"	7'-6"	6"	914	1FF1530B	
		12'	28'	8"	9'-4"	6"	1323	1FF1535B	
		11'	30'	8"	11'-4"	6"	1785	1FF1530B	
		11'	35'	8"	13'-2"	6"	2017	1FF1535B	
	20'	17'	20'	10"	7'-6"	6"	1045	1FF2030B	
		17'	28'	10"	9'-4"	6"	1555	1FF2035B	
		17'	30'	10"	11'-4"	6"	2079	1FF2030B	
		16'	35'	10"	13'-2"	8"	2297	1FF2035B	
	25'	21'	20'	12"	7'-6"	6"	1333	1FF2530B	
		21'	28'	12"	9'-4"	8"	1974	1FF2535B	
		21'	30'	12"	11'-4"	8"	2365	1FF2530B	
		21'	35'	12"	13'-2"	8"	2594	1FF2535B	
	30'	26'	20'	15"	7'-6"	6"	1839	1FF3030B	
		26'	28'	15"	9'-4"	8"	2376	1FF3035B	
		26'	30'	15"	11'-4"	8"	2958	1FF3030B	
		26'	35'	15"	13'-2"	8"	3081	1FF3035B	
	35'	31'	20'	15*	7'-6"	8"	2447	1FF3530B	
		31'	28'	15*	9'-4"	8"	2957	1FF3535B	
		31'	30'	15*	11'-4"	8"	3439	1FF3530B	
		30'	35'	15*	13'-2"	8"	3662	1FF3535B	
	40'	35'	20'	15*	7'-6"	8"	2767	1FF4030B	
		35'	28'	15*	9'-4"	8"	3275	1FF4035B	
		35'	30'	15*	11'-4"	8"	3757	1FF4030B	
		35'	35'	15*	13'-2"	8"	3970	1FF4035B	
	2 Ton	15'	12'	20'	10"	7'-6"	8"	1171	2FF1520B
			12'	28'	10"	9'-3"	8"	1535	2FF1525B
			12'	30'	10"	11'-3"	8"	2025	2FF1530B
			11'	35'	10"	13'-1"	8"	2215	2FF1535B
20'		17'	20'	12"	7'-6"	8"	1435	2FF2030B	
		17'	28'	12"	9'-3"	8"	1791	2FF2035B	
		17'	30'	12"	11'-3"	8"	2291	2FF2030B	
		16'	35'	12"	13'-1"	8"	2512	2FF2035B	
25'		21'	20'	15"	7'-6"	8"	1932	2FF2530B	
		21'	28'	15"	9'-3"	8"	2175	2FF2535B	
		21'	30'	15"	11'-3"	8"	2719	2FF2530B	
		21'	35'	15"	13'-1"	8"	2907	2FF2535B	
30'		26'	20'	18"	7'-6"	8"	2500	2FF3030B	
		26'	28'	18"	9'-3"	8"	2744	2FF3035B	
		26'	30'	18"	11'-3"	8"	3295	2FF3030B	
		25'	35'	18"	13'-1"	8"	3490	2FF3035B	
35'		31'	20'	18*	7'-6"	8"	3125	2FF3530B	
		31'	28'	18*	9'-3"	8"	3370	2FF3535B	
		30'	30'	18*	11'-3"	8"	3912	2FF3530B	
		30'	35'	18*	13'-1"	8"	4105	2FF3535B	
40'		35'	20'	18*	7'-6"	8"	3513	2FF4030B	
		35'	28'	18*	9'-3"	8"	3704	2FF4035B	
		35'	30'	18*	11'-3"	8"	4245	2FF4030B	
		35'	35'	18*	13'-1"	8"	4440	2FF4035B	

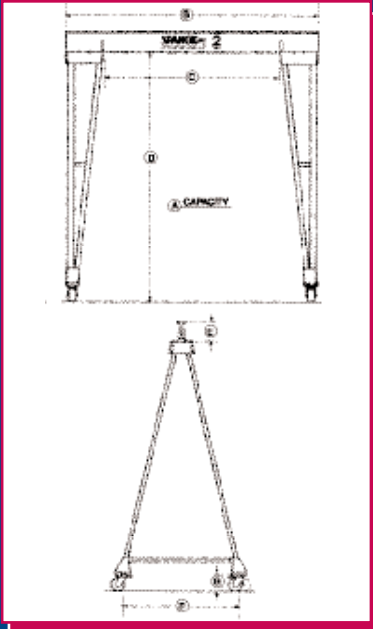
PF SERIES									
A CAP.	B OVER- ALL SPIN	C CLEAR SPIN	D HEIGHT UNDER BEAM	E BEEAM DEPTH	F TREAD	G CASTER	WEIGHT	MODEL	
3 Ton	15'	12'	20'	10"	7'-6"	8"	1379	3FF1520B	
		12'	28'	10"	9'-4"	8"	2377	3FF1525B	
		11'	30'	10"	11'-3"	8"	2666	3FF1530B	
		11'	35'	10"	13'-1"	8"	2907	3FF1535B	
	20'	17'	20'	15"	7'-6"	8"	1655	3FF2020B	
		17'	28'	15"	9'-4"	8"	2654	3FF2025B	
		16'	30'	15"	11'-3"	8"	3193	3FF2030B	
		16'	35'	15"	13'-1"	8"	3444	3FF2035B	
	25'	21'	20'	18"	7'-6"	8"	2404	3FF2520B	
		21'	28'	18"	9'-4"	8"	3354	3FF2525B	
		21'	30'	18"	11'-3"	8"	3703	3FF2530B	
		21'	35'	18"	13'-1"	8"	3954	3FF2535B	
	30'	26'	20'	18*	7'-6"	8"	3059	3FF3020B	
		26'	28'	18*	9'-4"	8"	3943	3FF3025B	
		26'	30'	18*	11'-3"	8"	4299	3FF3030B	
		25'	35'	18*	13'-1"	8"	4539	3FF3035B	
	35'	31'	20'	18*	7'-6"	8"	2990	3FF3520B	
		31'	28'	18*	9'-4"	8"	3893	3FF3525B	
		31'	30'	18*	11'-3"	8"	4294	3FF3530B	
		30'	35'	18*	13'-1"	8"	4480	3FF3535B	
	40'	35'	20'	18*	7'-6"	8"	4388	3FF4020B	
		35'	28'	18*	9'-4"	8"	5207	3FF4025B	
		35'	30'	18*	11'-3"	8"	5641	3FF4030B	
		35'	35'	18*	13'-1"	8"	5767	3FF4035B	
	5 Ton	15'	12'	20'	15"	7'-6"	8"	2335	5FF1520B
			12'	28'	15"	9'-4"	8"	2640	5FF1525B
			11'	30'	15"	11'-3"	8"	2980	5FF1530B
			11'	35'	15"	13'-1"	8"	3280	5FF1535B
20'		17'	20'	18"	7'-6"	8"	2785	5FF2020B	
		17'	28'	18"	9'-4"	8"	3090	5FF2025B	
		16'	30'	18"	11'-3"	8"	3430	5FF2030B	
		16'	35'	18"	13'-1"	8"	3730	5FF2035B	
25'		21'	20'	18*	7'-6"	8"	3344	5FF2520B	
		21'	28'	18*	9'-4"	8"	3640	5FF2525B	
		21'	30'	18*	11'-3"	8"	3980	5FF2530B	
		20'	35'	18*	13'-1"	8"	4280	5FF2535B	
30'		26'	20'	18*	7'-6"	8"	3683	5FF3020B	
		26'	28'	18*	9'-4"	8"	3988	5FF3025B	
		26'	30'	18*	11'-3"	8"	4308	5FF3030B	
		25'	35'	18*	13'-1"	8"	4538	5FF3035B	
35'		31'	20'	18*	7'-6"	8"	4401	5FF3520B	
		31'	28'	18*	9'-4"	8"	4706	5FF3525B	
		31'	30'	18*	11'-3"	8"	5051	5FF3530B	
		30'	35'	18*	13'-1"	8"	5326	5FF3535B	
40'		35'	20'	24*	7'-6"	8"	5754	5FF4020B	
		35'	28'	24*	9'-4"	8"	6059	5FF4025B	
		35'	30'	24*	11'-3"	8"	6394	5FF4030B	
		35'	35'	24*	13'-1"	8"	6669	5FF4035B	

*capped I-beam

PF SERIES - 1 - 2 - 3 - 5 TON

PF SERIES GANTRY CRANES

I-BEAM	FLANGE WIDTH
S8 - 125#	3.38"
S8 - 164#	4"
S10 - 25.4#	4.58"
S12 - 31.8#	5"
S15 - 42.9#	5.12"
S18 - 54.7#	6"
S24 - 80#	7"
24K - 106#	7.78"



PF SERIES								
A	B	C	D	E	F	G		
CAP.	OVER-ALL SPAN	CLEAR SPAN	HEIGHT UNDER BEAM	I-BEAM DEPTH	THREAD	CASTER	WEIGHT	MODEL
7 1/2 Ton	15	12	20	18"	7-4"	12"	2653	7PF1520B
		12	25	18"	9-3"	12"	2958	7PF1525B
		11	30	18"	11-1"	12"	3487	7PF1530B
		11	35	18"	13-1"	12"	5274	7PF1535B
	20	17	20	18"	7-4"	12"	3125	7PF2020B
		17	25	18"	9-3"	12"	3400	7PF2025B
		16	30	18"	11-1"	12"	3959	7PF2030B
		16	35	18"	13-1"	12"	5745	7PF2035B
	25	21	20	18"	7-4"	12"	3540	7PF2520B
		21	25	18"	9-3"	12"	3845	7PF2525B
		21	30	18"	11-1"	12"	4344	7PF2530B
		20	35	18"	13-1"	12"	6140	7PF2535B
	30	25	20	24"	7-4"	12"	4301	7PF3020B
		25	25	24"	9-3"	12"	4606	7PF3025B
		25	30	24"	11-1"	12"	5149	7PF3030B
		25	35	24"	13-1"	12"	6901	7PF3035B
	35	31	20	24"	7-4"	12"	5572	7PF3520B
		31	25	24"	9-3"	12"	5877	7PF3525B
		30	30	24"	11-1"	12"	6424	7PF3530B
		30	35	24"	13-1"	12"	8172	7PF3535B
	40	35	20	24"	7-4"	12"	6102	7PF4020B
		35	25	24"	9-3"	12"	7019	7PF4025B
		35	30	24"	11-1"	12"	7571	7PF4030B
		35	35	24"	13-1"	12"	9319	7PF4035B

PF SERIES									
A	B	C	D	E	F	G			
CAP.	OVER-ALL SPAN	CLEAR SPAN	HEIGHT UNDER BEAM	I-BEAM DEPTH	THREAD	CASTER	WEIGHT	MODEL	
10 Ton	15	12	20	18"	7-4"	12"	2677	10PF1520B	
		12	25	18"	9-3"	12"	2982	10PF1525B	
		11	30	18"	11-1"	12"	4682	10PF1530B	
		11	35	18"	13-1"	12"	5298	10PF1535B	
	20	17	20	24"	7-4"	12"	3738	10PF2020B	
		17	25	24"	9-3"	12"	3761	10PF2025B	
		16	30	24"	11-1"	12"	5455	10PF2030B	
		16	35	24"	13-1"	12"	6102	10PF2035B	
	25	21	20	24"	7-4"	12"	4738	10PF2520B	
		21	25	24"	9-3"	12"	5043	10PF2525B	
		21	30	24"	11-1"	12"	6733	10PF2530B	
		20	35	24"	13-1"	12"	7389	10PF2535B	
	30	25	20	24"	7-4"	12"	5041	10PF3020B	
		25	25	24"	9-3"	12"	5345	10PF3025B	
		25	30	24"	11-1"	12"	7035	10PF3030B	
		25	35	24"	13-1"	12"	7691	10PF3035B	
	35	31	20	24"	7-4"	12"	5197	10PF3520B	
		31	25	24"	9-3"	12"	5502	10PF3525B	
		30	30	24"	11-1"	12"	7197	10PF3530B	
		30	35	24"	13-1"	12"	7947	10PF3535B	
	40	35	20	24"	7-4"	12"	6713	10PF4020B	
		35	25	24"	9-3"	12"	7018	10PF4025B	
		35	30	24"	11-1"	12"	8713	10PF4030B	
		35	35	24"	13-1"	12"	9363	10PF4035B	
	15 Ton	15	12	20	24"	7-4"	12"	4415	15PF1520B
			12	25	24"	9-3"	12"	4889	15PF1525B
			11	30	24"	11-1"	12"	5932	15PF1530B
			11	35	24"	13-1"	12"	7922	15PF1535B
20		17	20	24"	7-4"	12"	5389	15PF2020B	
		17	25	24"	9-3"	12"	5889	15PF2025B	
		16	30	24"	11-1"	12"	6875	15PF2030B	
		16	35	24"	13-1"	12"	8765	15PF2035B	
25		21	20	24"	7-4"	12"	5967	15PF2520B	
		21	25	24"	9-3"	12"	6311	15PF2525B	
		21	30	24"	11-1"	12"	7375	15PF2530B	
		20	35	24"	13-1"	12"	9065	15PF2535B	
30		25	20	24"	7-4"	12"	7253	15PF3020B	
		25	25	24"	9-3"	12"	7697	15PF3025B	
		25	30	24"	11-1"	12"	8761	15PF3030B	
		25	35	24"	13-1"	12"	10551	15PF3035B	
35		31	20	24"	7-4"	12"	8175	15PF3520B	
		31	25	24"	9-3"	12"	8519	15PF3525B	
		30	30	24"	11-1"	12"	9711	15PF3530B	
		30	35	24"	13-1"	12"	11573	15PF3535B	

*capped I-beam
†dual casters

PF SERIES - 7 1/2 - 10 - 15 TON

POWER DRIVES FOR GANTRY CRANES

POWER DRIVES - Available on T and PF Series only

Power drive kit includes two-drive assemblies with either polyurethane (trackless) or V-groove wheels, sprockets, chains, two-gear reducers, two single-speed, 230/460V-three phase TEFC motors, solid state adjustable “soft start,” and two-idler assemblies. Standard travel speed is 50 FPM. Other speeds and volt-ages available on request.

Trackless kit- also includes guide rollers on one drive and one idler assembly. Idler and drive assemblies are supplied with polyurethane bumpers.

Custom Power Installation Options

- Crane controls.
- Control enclosures suitable for severe environments or hazardous areas.
- Multi-speed AC inverter drives.
- Motor brakes.
- Air-driven power drive kits.
- Crane wiring with rubber covered S.O. type cable.
- Crane wiring in metal conduit.
- Cable reels and electrification systems.
- Push-button stations.
- Tag line festooning systems.
- Flat wire and box track festooning systems.
- Warning lights, audible alarms, or travel limit switches.
- Top running and under running end trucks for single leg (semi-gantry) applications.



Trackless drive kit shown with guide rollers

DRIVE ASSEMBLY DESCRIPTION	MAX. LOAD PER END OF GANTRY (MLG)	HP	WEIGHT	PART NUMBER
V-grooveTrack Mounted	6,000	1/3	320	07301
	16,700	1/2	350	07101
	30,000	1	900	07201
	40,000	1 1/2	1100	07401
Trackless	7,000	1/2	360	07102
	12,000	3/4	770	07202
	18,000	1	1300	07402
	36,000	2	1650	07302

POWER DRIVES FOR GANTRY CRANES

Selecting your power drive

Calculate the Maximum Load per End of Gantry (MLG) by using the formula:

$$MLG = P + H + \frac{G}{2}$$

P = Rated load capacity
(1 ton = 2000 lb.)

H = Weight of hoist and trolley

G = Weight of gantry
(All measures in pounds)

Compare the calculated MLG number with the MLG numbers on the chart. If your MLG number falls between two MLG chart numbers, choose the next higher chart number.

Example: 3-ton capacity PF Series gantry, model 3PF1520B

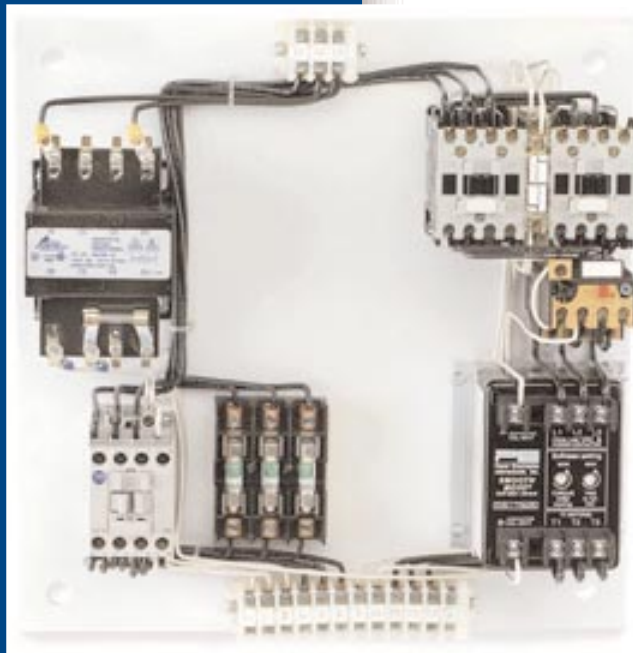
P = 6,000 lb.

H = 900 lb. (use 15% of rated load if hoist weight is not available)

G = 1378 lb.

$$MLG = 6,000 + 900 + \frac{1378}{2} = 7,589 \text{ lb.}$$

In the example, you would select power drive part number 07101 for a V-groove track mounted assembly or part number 07202 for a trackless assembly.



Optional Control Panel- Includes mainline magnetic power disconnect, reversing magnetic contactor, thermal overload, 115V fused control transformer, branch circuit fusing to crane motors, and solid state adjustable “soft start” control adjustable for time and torque in a NEMA 3R enclosure.

(When control panel is ordered with power drive kit, a “soft start” will be wired in panel. If control panel is not ordered, “soft start” is supplied for wiring in customer’s panel.)

Turn Key Systems- complete with controls and wiring are available.

Power Driven Double Leg Trackless Gantry with Floor Guide-

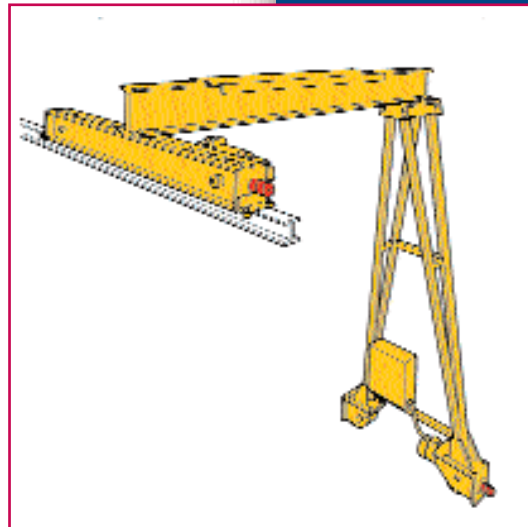
Ideal for applications requiring a gantry to run against a wall. A guide angle (supplied by others) lags to the floor along the wall guiding the gantry which travels directly on the floor on polyurethane wheels.

For trackless use in an open, clear area where a guide angle on the floor is not practical. A selector switch can be incorporated in the control pendant to selectively turn each motor on and off to compensate for skewing.



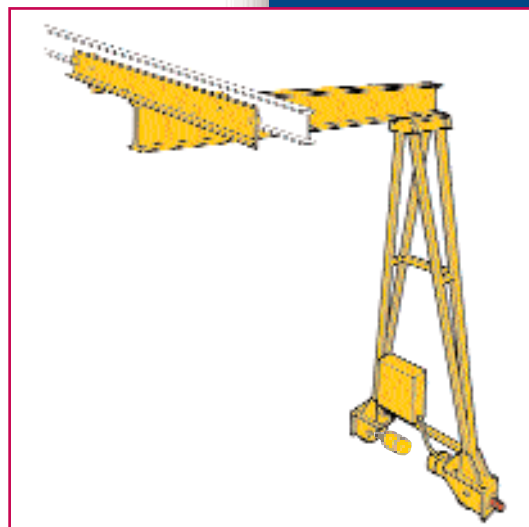
Single Leg, Top Running End Truck-

The single leg design maximizes space utility in confined, narrow areas by traveling down an aisle on polyurethane wheels while the other end of the I-beam mounts on an end truck traveling on an overhead runway.



Single Leg, Under Running End Truck-

A single leg gantry can also be used with an under running end truck on one end which travels on the bottom flange of an overhead runway beam.



WIDE FLANGE GANTRY CRANES

CUSTOM DESIGNED SINGLE OR DOUBLE LEG, WIDE FLANGE BEAM CONSTRUCTION GANTRIES with double flanged wheels for travel on ASCE rail or polyurethane wheels for direct floor travel.

Consider if your lifting application requires

- Supplemental coverage for an overhead crane.
- The facility floor remaining unaltered.
- Wide clear passage for vehicles and/or personnel.

Custom designed solution

The general design of wide flange beam construction equips the end trucks with identical wheels and power drives ensuring

- Smooth start-up.
- Precise alignment for even wear on wheels.
- Stable movement.

End truck design

- Customize power and speed to meet your application.
- Rotating axle design allows easy service of drive units.





Lower end truck uses large diameter tread wheels. Rotating axle design facilitates easy servicing of wheels, axles, and bearings.



Guide rollers and anti-kickup rollers securely align upper end truck against both sides of track flange.

Double flanged wheels

- Meets higher duty service classifications to CMAA Class E, mill service.
- Higher travel speed available for rail mounted cranes up to maximum 150 FPM.

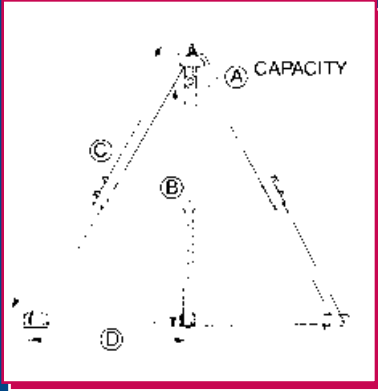
Polyurethane wheels

- Moderate duty service, CMAA Class C.
- Maximum 80 FPM travel speed.
- Maximum traction. Quiet, direct floor operation.
- Facility floor remains unaltered.

Options

- Multi-speed AC inverter drives.
- Motor brakes.
- Air drives.
- Push-button station.
- Warning lights, audible alarms, flood lights, or travel limit switches.
- Top running or under running end trucks for single leg (semi-gantry) applications.
- Design for severe environments or hazardous areas.
- Special paint finishes.

TRIPODS



TRIPODS

Quick, easy setup for heavy lifting in outdoor areas with no overhead support.

Steel and aluminum construction capacities to two tons.

- Independently, adjustable legs permit use on uneven ground and adjust on six inch centers.
- Standard lashing kit, included with every tripod, prevents legs from spreading on hard or soft surfaces.

TRIPODS								
A CAPACITY	B HEIGHT EYE BOLT TO FLOOR		C OVERALL LENGTH		D DIMENSION BETWEEN LEGS HEIGHT		NET WEIGHT	MODEL
	MAX.	MIN.	MAX.	MIN.	MAX.	MIN.		
1 Ton STEEL ADJ.	13'-9"	8'-7"	16'-2"	10'-2"	14'-6"	9'-3"	178	ATS-02-1309
1 Ton ALUMINUM ADJ.	8'-7"	5'-2"	10'-0"	6'-0"	9'-2"	5'-10"	49	ATA-02-0805
	11'-2"	6'-10"	13'-0"	8'-0"	11'-9"	7'-7"	61	ATA-02-1107
	13'-9"	8'-7"	16'-2"	10'-2"	14'-6"	9'-3"	140	ATA-02-1309
2 Ton STEEL ADJ.	13'-9"	8'-7"	16'-2"	10'-2"	14'-6"	9'-3"	202	ATS-04-1309
2 Ton ALUMINUM ADJ.	11'-2"	6'-10"	13'-0"	8'-0"	11'-9"	7'-7"	119	ATA-04-1107
	13'-9"	8'-7"	16'-2"	10'-2"	14'-6"	9'-3"	148	ATA-04-1309

TRIPODS - ALUMINUM OR STEEL ADJUSTABLE 1 - 2 TON

Free swiveling
eyebolt hangs plumb
to protect tripod head
from twist and strain.



Aluminum feet are
used on all hard
surfaces. Standard on
all models unless
otherwise specified.



Mud feet are used on
soft ground. Integral
spikes firmly entrench
legs to prevent
slipping or sinking into
ground. Complete
interchangeability
with aluminum feet
and available in place
of aluminum feet or as
an optional accessory.



GANTRY CRANES

PF SERIES



A SERIES



T SERIES



E SERIES

*SPANCO Lifting Solutions...
Gantry crane possibilities are infinite.
Call us for a local representative in
your area. 800-869-2080*

GANTRY CRANES

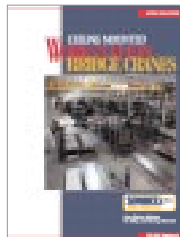
We have the solution for all your material handling needs.



Stand Alone
Workstation
Bridge Cranes



Aluminum
Work Station
Bridge Cranes



Ceiling Mounted
Work Station
Bridge Cranes



Jib Cranes



Work Station
Jib Cranes

*To request the featured literature,
contact your authorized SPANCO
distributor or call SPANCO at the
numbers listed below.*



Stellar Performance

Morgantown Business Park
604 Hemlock Road
Morgantown, PA 19543 U.S.A.

Tel: (610) 286-7200 Fax: (610) 286-0085
800-869-2080 Canada & U.S.A.
95-800-270-1080 Mexico

Visit SPANCO's Web site: www.spanco.com

email: sales@spanco.com

