



direct vent
gas fireplaces



why choose Regency?

Beautiful Home Heating Solutions

Regency Fireplace Products was founded over 30 years ago with a mission to produce the finest fireplace products available anywhere. Regency has heating solutions for every room in your home. Listening to our customer has enabled us to become the premium brand in the market today.

Regency Quality

The Regency name means quality in every way. The product is created and built in a world class manufacturing facility focused on getting every detail just right. Represented across North America by a carefully selected professional retail network; you can rely on knowledgeable dealers and installers who understand how to make our products run safely and to the optimum performance.

Exceptional Fire

The essence of each and every Regency fireplace is the unique flame. Without question, it's the best in the industry. With its dancing flames and glowing embers, the Regency fire looks just like a wood fire.

Custom Styling

By researching current trends and styles we have created tasteful options and accessories that allow you to tailor the look of our fireplace to your home. Sleek and simple or grand and glamorous... your choice.

Save on Home Heating

Regency Gas Fireplaces produce consistent, controllable heat. The totally sealed firebox, specialized burners and high heat transfer ceramic glass creates heat that doesn't escape up the chimney.

One Regency = One Tree

At Regency, we are committed to protecting our environment. For every Regency sold, we will plant a tree. Working with *American Forests*, the trees planted across North America will offset carbon emissions and take one more step to restore nature's balance.

Lifetime Warranty

I am so confident in the quality workmanship, the finest materials and durable heavy-duty construction invested in each and every product, that I offer a Limited Lifetime Warranty. The Regency warranty is the best in the industry. I am absolutely sure that you will be as proud of your Regency Gas Fireplace as I am – I guarantee it.

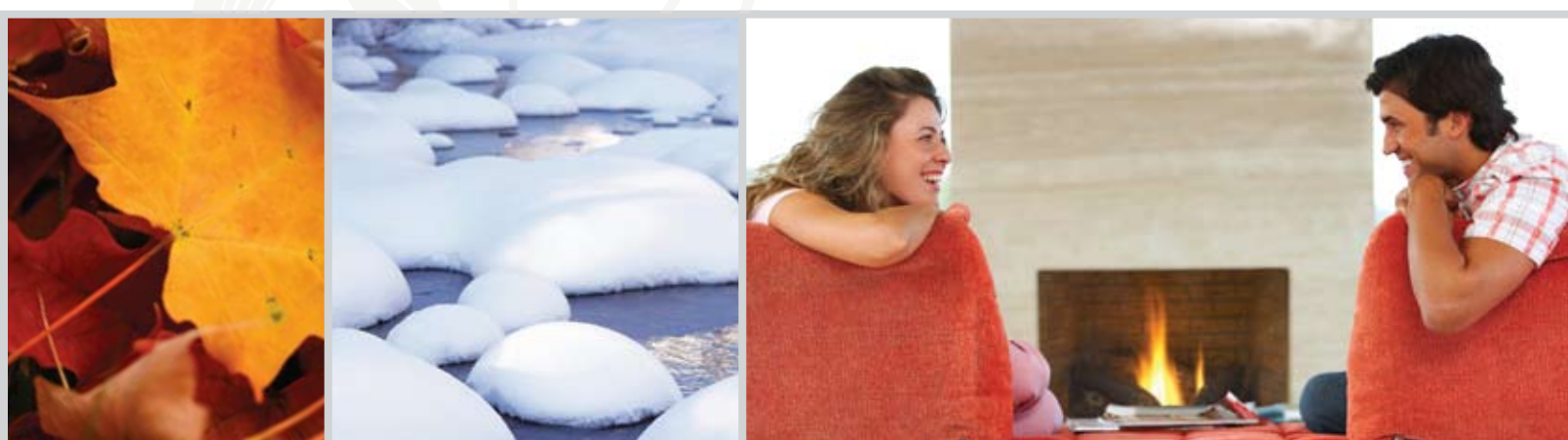
Robert Little
Founder & CEO





index

| | |
|---------------------------|----|
| Liberty Gas Fireplaces | |
| Liberty L900, L676 | 4 |
| Bellavista Gas Fireplaces | |
| Bellavista B36XT, B36X | 6 |
| Panorama Gas Fireplaces | |
| Panorama P48, P42 | 8 |
| Panorama P36, P36D | 10 |
| Panorama P33 | 12 |
| Panorama P131, P121 | 14 |
| Excalibur Gas Fireplaces | |
| Excalibur P95, P90 | 16 |
| Design Choices | 18 |
| Technical specs | 20 |



Liberty L900 & L676

Gas Fireplaces



Liberty L900 shown with brown brick panels and safety screen.

The Liberty design creates an authentic masonry fireplace look that is sleek and simple in appearance with a beautiful flame and moderate heat. This Direct Vent fireplace looks so much like a real wood fire you just won't believe it! No louvers and "disappearing" glass work together with brick panels, pull screen, extraordinary fire and log package to create a simply beautiful oasis. The Liberty flame fills the heart of this fireplace with a 6 stage fire extending from romantic glowing embers to a roaring yellow fire to match your mood or comfort level.





Liberty L676 shown with safety screen and red brick panels.



Cast Iron Andirons



Safety screen.



Proflame GTM remote control

| Specifications (NG)* | L900 | L676 |
|--------------------------------|--------|--------|
| Input (BTU) | 41,500 | 33,000 |
| Turn down to (BTU) | 28,000 | 22,000 |
| EnerGuide Rating (Canada only) | 60.29% | 60.74% |
| Efficiency (steady state) | 70% | 70% |

| Unit Dimensions | | |
|-----------------|------------|------------|
| Viewing area | 900 sq.in. | 676 sq.in. |
| Width | 51-1/2" | 42-1/2" |
| Height | 50-3/8" | 45-5/8" |
| Depth | 27" | 24" |

* For propane (LP) specs please see page 20.
For detailed specifications please see pages 18-23.

Standard Features

- Natural Gas
- Flush front with ceramic safety glass
- Direct spark ignition
- Proflame GTM remote control
- 6-stage flame height adjustment
- Ceramic oak logs
- Operable safety mesh pull screen
- Steel grate
- Old Town Red or Rustic Brown brick panels (must choose one)
- Black vermiculite floor
- Platinum bright embers
- Wall mounted On/Off switch
- Easy clean glass system

Optional Features

- Propane conversion kit
- Cast iron andirons
- Heat Wave™ power duct kit
- Heat Release™ kit
- Horizontal or vertical vent termination
- AstroCap® Venting System

Bellavista B36XT & B36X

Medium Gas Fireplaces



Bellavista B36XT shown with midnight gray arch full screen doors and brick panels.

Bellavista means beautiful view in Italian, describing perfectly the fire view from either one of the most popular sized fireplace in the Regency line up. The B36XT features a bold flame and log package behind a 641 square inch viewing area providing up to 31,000 BTU of comforting heat. The quality workmanship is evident in the fine finishes, custom accessories and high safety ceramic glass. A lower BTU option is available, with the B36X providing 18,500 BTU of heat.





Bellavista B36X shown with flush panels, brick panels and finishing trim.



B36XT shown with black arch full screen doors and brick panels.



B36XT shown with steel louvers, black enamel panels, finishing trim and ember upgrade package.



B36XT shown with gold louvers, castlestone brick panels finishing trim and ember upgrade package.

| Specifications (NG)* | B36XT | B36X |
|--------------------------------|--------|--------|
| Input (BTU) | 31,000 | 18,500 |
| Turn down to (BTU) | 21,500 | 12,500 |
| EnerGuide Rating (Canada only) | 65% | 61.60% |
| Efficiency (steady state) | 71% | 69% |

| Unit Dimensions | B36XT | B36X |
|-----------------|------------|------------|
| Viewing area | 641 sq.in. | 641 sq.in. |
| Width | 36" | 36" |
| Height | 35-1/4" | 35-1/4" |
| Depth | 17-5/16" | 17-5/16" |

* For propane (LP) specs please see page 20.
For detailed specifications please see pages 18-23.

Standard Features

- Natural Gas
- Beautiful fire with glowing logs
- Platinum embers
- Ceramic glass (B36XT)
- Tempered glass (B36X)
- 641 sq. in. viewing area
- Steel fire grate
- Direct spark ignition (B36XT only)
- Wall mounted On/Off switch
- Black vermiculite floor
- Top or rear vent

Optional Features

- Louvers
- Black flush panels (standard with B36X)
- Finishing trim (3-piece)
- Arch full screen doors
- Brick panels
- Enamel black or stainless steel inner reflective panels
- Variable speed blower
- Proflame remote controls
- Propane conversion kit
- Horizontal or vertical vent termination
- Heat Wave™ Power Duct Kit (B36X)
- AstroCap® flex venting system

Panorama® P48 & P42

Large Gas Fireplaces



P48 shown with steel louvers, finishing trim and brick panels.

The largest gas fireplace in the Regency family, P48 presents a spectacular fire and extraordinary heat for your large living areas. Perfect for open living spaces, 51,000 BTU of comforting warmth is circulated to every corner.

Continuing the standard set by the P48, the P42 delivers 35,000 BTU of consistent, controllable high efficiency heat for average sized living areas. The exceptional, full bodied flame can be enjoyed at 50% turn-down for maximum comfort choice.





P42 shown with black full screen doors and brick panels.



P48 shown with gold louvers, finishing trim and brick panels.



P48 shown with black louvers, finishing trim and brick panels.



P42 shown with stainless steel louvers, finishing trim and brick panels.

| Specifications (NG)* | P48 | P42 |
|--------------------------------|--------|--------|
| Input (BTU) | 51,000 | 35,000 |
| Turn down to (BTU) | 29,000 | 17,500 |
| EnerGuide Rating (Canada only) | 62.30% | 63.2% |
| Efficiency (steady state) | 70% | 82% |

| Unit Dimensions | P48 | P42 |
|-----------------|-------------|-------------|
| Width | 48" | 40" |
| Height | 41" | 34" |
| Depth | 23-1/4" | 18-5/8" |
| View area | 934 sq. in. | 604 sq. in. |

* For propane (LP) specs please see page 20.
For detailed specifications please see pages 18-23.

Standard Features

- Natural Gas or Propane
- Flush front with ceramic safety glass
- Oak logs with platinum bright embers
- Old Town Red brick panels in standard design (P42 only)
- Flame height adjustment control with up to 50% turn down
- 45° flue for versatile installations (P48 only)
- Variable speed blower (P42 only)

Optional Features

- Louvers
- Full screen doors (P42 only)
- Glass bay front & glass trim (P42 only)
- Finishing trim
- Brick panels (P48 only)
- FireGenie® Remote Control
- Wall thermostat
- Propane conversion kit (P48 only)
- Variable speed blower (P48 only)
- Vertical or horizontal vent terminations
- Heat Wave™ Power Duct Kit
- Heat Release™ Kit
- AstroCap™ Venting System

Panorama® P36 & P36D

Medium Gas Fireplaces



Panorama P36 Gas Fireplace featuring midnight brown full screen doors and brick panels.

The most popular fireplace size is available in both a slim and deep box; designed to deliver a beautiful fire and efficient heat to most common family rooms, dens and bedrooms.

With the versatile Panorama P36, you can turn a traditional fireplace into a dynamic part of your home décor. Customize with warm finishes, screen doors and decorative accents - make it your Regency, right down to the last detail.





Panorama P36 Gas Fireplace featuring black louvers.



P36 shown with Tripoli front and brick panels.



P36 shown with black full screen doors and brick panels.



P36 shown with steel louvers, brick panels and finishing trim.

| Specifications | Natural Gas | Propane |
|--------------------------------|-------------|---------|
| Input (BTU) | 30,000 | 30,000 |
| Turn down to (BTU) | 15,500 | 15,000 |
| EnerGuide Rating (Canada only) | 62.70% | 62.70% |
| Efficiency (steady state) | 82% | 82% |

| Unit Dimensions | |
|-----------------|---------|
| Width | 36" |
| Height | 30-1/2" |
| Depth P36 | 12-3/4" |
| Depth P36D | 17-1/8" |

For detailed specifications please see pages 18-23.

Standard Features

- Natural Gas
- Beautiful fire with glowing logs, fire grate and platinum bright embers
- 452 sq. in. viewing area
- Flame height adjustment control with up to 50% turn down
- Louver mounted controls
- Flush front with ceramic safety glass
- Black brick panel floor (P36D only)

Optional Features

- Slim or deep fire
- Glass bay front
- Louvers
- Glass trim & Finishing trim
- Full screen doors (flush)
- Tripoli™ 3 panel arch door and frame (flush)
- Brick panels
- Variable speed blower
- FireGenie® Remote Control
- Propane conversion kit
- Vertical or horizontal vent terminations
- Heat Wave™ Power Duct Kit & Heat Release™ Kit
- AstroCap™ Venting System

Panorama® P33

Small Gas Fireplace



P33 Gas Fireplace featuring gold louvers, finishing trim and herringbone brick panels.

Perfect for smaller living spaces, the P33 offers the stylish options of the Panorama family in a compact size. This slim fireplace is frequently featured in bedrooms, kitchens and dens; quietly warming or dramatically focusing attention on the incredible Regency fire.





P33 Gas Fireplace featuring steel louvers, finishing trim and herringbone brick panels.



P33 shown with black full screen doors and brick panels.



P33 shown with black louvers and finishing trim.



P33 shown with bay front, gold glass trim, black louvers, finishing trim and brick panels.

| Specifications | Natural Gas | Propane |
|--------------------------------|-------------|---------|
| Input (BTU) | 22,500 | 21,500 |
| Turn down to (BTU) | 10,500 | 10,500 |
| EnerGuide Rating (Canada only) | 62.49% | 65.03% |
| Efficiency (steady state) | 76% | 77% |

| Unit Dimensions | |
|-----------------|---------|
| Width | 33" |
| Height | 29" |
| Depth | 12-3/4" |

For detailed specifications please see pages 18-23.

Standard Features

- Natural Gas
- Beautiful fire with glowing logs, fire grate and platinum bright embers
- 45° flue for versatile installations
- 416 sq. in. viewing area
- Flame height adjustment control with up to 50% turn down
- Louver mounted controls
- Flush front with ceramic safety glass

Optional Features

- Glass bay front
- Louvers
- Glass trim & Finishing trim
- Double screen doors (flush)
- Full screen doors (flush)
- Brick panels
- Variable speed blower
- FireGenie® Remote Control
- Wall thermostat
- Propane conversion kit
- Vertical or horizontal vent terminations
- Heat Wave™ Power Duct Kit
- AstroCap™ Venting System

Panorama® P131 & P121

Three & Two Sided Gas Fireplaces



Panorama P131 featuring gold louvers.

Enjoy Regency fire and warmth in two rooms with one fireplace or select the corner fireplace option for your unique home design. For calming warmth and an exceptional fire view from all 3 sides of a special living space choose the Regency Pier fireplace. The complete package includes decorative grill options and finishing mantel tops. Turn your furnace down and enjoy beautiful heat in the rooms you spend time in.





P121 shown with stainless steel louvers and trim.



P131 shown with decorative patterned grills in black.



P131 shown with stainless steel louvers.



P121 shown with black louvers.

| Specifications | Natural Gas | Propane |
|--------------------------------|-------------|---------|
| Input (BTU) | 40,000 | 39,000 |
| Turn down to (BTU) | 20,500 | 20,600 |
| EnerGuide Rating (Canada only) | 60.66% | 62.51% |
| Efficiency (steady state) | 75% | 75% |

| Unit Dimensions | P131 | P121 |
|-----------------|--------------|--------------|
| Viewing area | 1,340 sq.in. | 1,280 sq.in. |
| Width | 41-1/2" | 43-1/2" |
| Height | 36" | 36" |
| Depth | 25" | 25" |

For detailed specifications please see pages 18-23.

Standard Features

- Natural Gas
- Large realistic flames with platinum bright embers
- Flush front with tempered glass
- Realistic 8 piece collapsed log set and fire grate
- Old Town Red side brick panels in standard design
- Black brick panel floor
- One speed blower
- Flame height adjustment control with up to 50% turn down
- 45° flue for versatile installations

Optional Features

- See thru or corner units (P121)
- Louvers
- Decorative patterned grills
- Glass trim
- Finishing trim (P121 only)
- Ceramic glass for bathroom installations
- FireGenie® Remote Control
- Wall thermostat
- Propane conversion kit
- Vertical or horizontal vent terminations
- AstroCap™ Venting System

Excalibur P95 & P90

Gas Fireplaces



Excalibur P95 shown with black surround, black double screen doors, polished gold accents & herringbone brick panels.

Sit back and enjoy the irresistible comfort of an Excalibur fire. The Excalibur P95 direct vent gas fireplace is an incredible combination of timeless design and enduring quality. The fine finishing is what makes this one of the most sought after fireplaces anywhere today.

Both the medium P90 and the large P95 are designer fireplaces with a multitude of custom options. These two fireplaces combine different doors, finishes, handles, decorative accents and brick panels resulting in well over forty unique looks.





P90 shown with antique nickel surround, double screen doors & herringbone brick panels.



P95 shown with black surround & herringbone brick panels.



P95 shown with antique copper surround & herringbone brick panels.



| Specifications (NG)* | P95 | P90 |
|--------------------------------|--------|--------|
| Input (BTU) | 45,000 | 35,000 |
| Turn down to (BTU) | 23,200 | 18,200 |
| EnerGuide Rating (Canada only) | 66.76% | 67.75% |
| Efficiency (steady state) | 75% | 75% |

| Faceplate Dimensions | P95 | P90 |
|----------------------|---------|---------|
| Width | 45-3/4" | 37" |
| Height | 32-7/8" | 29-1/4" |

* For propane (LP) specs please see page 20.
For detailed specifications please see pages 18-23.

Standard Features

- Natural Gas
- Flush front with ceramic safety glass
- Realistic logs with beautiful flames and platinum bright embers
- Black brick panel floor
- Variable speed thermostatic blower
- Flame height adjustment control with up to 50% turndown

Optional Features

- Antique nickel, antique copper or black designer arch surround (Required)
- Double screen doors in Antique nickel, Antique copper or Black
- Accent kits in polished gold or polished nickel for double doors & arch surround
- Brick panels
- Heat Wave™ Power Duct Kit
- Heat Release™ Kit
- Wall thermostat or FireGenie® Remote Control
- Propane conversion kit
- AstroCap™ Venting System



design choices - traditional collection

Fronts



Liberty clean face style



Flush front



Bay front (glass)

Louvers



Gold*



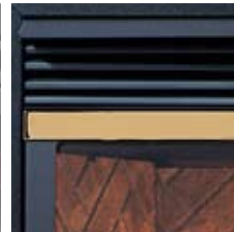
Brushed Steel



Black



Flush panels



Gold*



Brushed Steel

Glass Trim

Excalibur surround finishes



Black



Antique Copper**



Antique Nickel

Full Screen Doors



Black



Midnight Brown



Midnight Gray



Ember upgrade package

Inner Panels



Herringbone - Rustic Brown
* 24 k gold plated



Standard - Rustic Brown



Standard - Old Town Red



Castlestone



Brushed Stainless Steel



Black Enamel panels

** Antique Copper and Antique Nickel finishes might not appear exactly as shown. These finishes are made from genuine copper and nickel that will naturally change tone over time.



Full screen doors



Arch full screen doors



Tripoli™ door



Excalibur surround

| Accessories - at a glance | | L900 | L676 | B36XT | B36X | P95 | P90 | P48 | P42 | P36 | P36D | P33 | P131 | P121 |
|---|----------------------------|---------------------|---------------|-------|------|-----|-----|-----|-----|-----|------|-----|------|------|
| Flush Front | Glass | ✓ | ✓ | ✓ | ✓ | ✓ | ✓ | ✓ | ✓ | ✓ | ✓ | ✓ | ✓ | ✓ |
| Bay Front | Glass | - | - | - | - | - | - | - | ★ | ★ | ★ | ★ | - | - |
| Classic look | Louvers | Black | - | ★ | ★ | - | - | ★ | ★ | ★ | ★ | ★ | ★ | ★ |
| | | Black/Brushed Steel | - | - | ★ | ★ | - | - | ★ | ★ | ★ | ★ | ★ | ★ |
| | | Black/Gold | - | - | ★ | ★ | - | - | ★ | ★ | ★ | ★ | ★ | ★ |
| | Flush panels | Black | - | - | ★ | ✓ | - | - | - | - | - | - | - | - |
| | | Glass Trim Flush | Brushed Steel | - | - | - | - | - | ★ | - | ★ | ★ | ★ | ★ |
| | Glass Trim Bay | Gold | - | - | - | - | - | - | ★ | ★ | ★ | ★ | - | - |
| | Finishing Trim | Black | - | - | ★ | ★ | - | - | ★ | ★ | ★ | ★ | ★ | - |
| Excalibur Arch Surrounds | Surround | Antique Nickel | - | - | - | - | ★ | ★ | - | - | - | - | - | - |
| | | Antique Copper | - | - | - | - | ★ | ★ | - | - | - | - | - | - |
| | | Black | - | - | - | - | ★ | ★ | - | - | - | - | - | - |
| | Double screen doors | Antique Nickel | - | - | - | - | ★ | ★ | - | - | - | - | - | - |
| | | Antique Copper | - | - | - | - | ★ | ★ | - | - | - | - | - | - |
| | | Black | - | - | - | - | ★ | ★ | - | - | - | - | - | - |
| Doors | Full Screen Doors | Black | - | - | - | - | - | - | ★ | ★ | ★ | ★ | - | - |
| | | Midnight gray | - | - | - | - | - | - | ★ | ★ | ★ | ★ | - | - |
| | | Midnight brown | - | - | - | - | - | - | - | ★ | ★ | ★ | ★ | - |
| | Arched full screen doors | Black | - | - | ★ | ★ | - | - | - | - | - | - | - | - |
| | | Midnight gray | - | - | ★ | ★ | - | - | - | - | - | - | - | - |
| | | Midnight brown | - | - | ★ | ★ | - | - | - | - | - | - | - | - |
| | Tripoli 3-panel Arch Door | Black | - | - | - | - | - | - | - | ★ | ★ | - | - | - |
| Patterned Grills | Black | - | - | - | - | - | - | - | - | - | - | ★ | ★ | |
| Brick panels | Standard - Rustic Brown | ★ | ★ | ★ | ★ | ★ | ★ | ★ | - | ★ | ★ | ★ | - | - |
| | Standard - Old Town Red | ★ | ★ | ★ | ★ | ★ | ★ | ★ | ✓ | ★ | ★ | ★ | ✓ | ✓ |
| | Herringbone - Rustic Brown | - | - | - | - | ★ | ★ | ★ | - | ★ | ★ | ★ | - | - |
| | Castlestone | - | - | ★ | ★ | - | - | - | - | - | - | - | - | - |
| | Enamel black | - | - | ★ | ★ | - | - | - | - | - | - | - | - | - |
| | Stainless steel | - | - | ★ | ★ | - | - | - | - | - | - | - | - | - |
| Ember upgrade package | ★ | ★ | ★ | ★ | ★ | ★ | ★ | ★ | ★ | ★ | ★ | ★ | ★ | ★ |
| Blower (with fan speed controller) | - | - | ★ | ★ | ✓ | ✓ | ★ | ✓ | ★ | ★ | ★ | ★ | - | - |
| Blower (1-speed wall switch) | - | - | - | - | - | - | - | - | - | - | - | - | ✓ | ✓ |
| Programmable Thermostat | - | - | ★ | ★ | ★ | ★ | ★ | ★ | ★ | ★ | ★ | ★ | ★ | ★ |
| FireGenie™ Remote Control | - | - | - | - | ★ | ★ | ★ | ★ | ★ | ★ | ★ | ★ | ★ | ★ |
| Proflame GT Remote Control | - | - | ★ | ★ | - | - | - | - | - | - | - | - | - | - |
| Proflame GTM Remote Control | ✓ | ✓ | ★ | ★ | - | - | - | - | - | - | - | - | - | - |
| Proflame GTMF Remote Control | - | - | ★ | ★ | - | - | - | - | - | - | - | - | - | - |
| Wall Switch | ✓ | ✓ | ✓ | ✓ | ★ | ★ | ★ | ✓ | ★ | ★ | ★ | ★ | ✓ | ✓ |
| Louver Mounted on/off Switch | - | - | ✓ | ✓ | ✓ | ✓ | ✓ | ✓ | - | ✓ | ✓ | ✓ | - | - |
| Heat Wave™ Power Duct System ² | ★ | ★ | - | ★ | ★ | ★ | ★ | ★ | ★ | ★ | ★ | ★ | - | - |
| Heat Release™ Kit ² | ★ | ★ | - | - | ★ | ★ | ★ | ★ | ★ | ★ | ★ | - | - | - |
| Propane conversion kit | ★ | ★ | ★ | ★ | ★ | ★ | ★ | ★ | - | ★ | ★ | ★ | ★ | ★ |

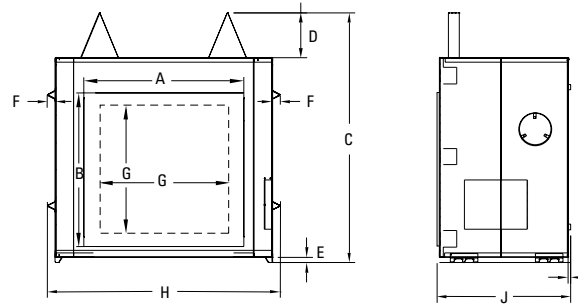
- Not available
- ✓ Standard
- ★ Optional

¹ Not available for corner units
² Not certified for corner applications

| Specifications | | Input (BTU) | | Turn Down to (BTU) | | EnerGuide Rating (Canada only) | | Efficiency (steady state) | |
|----------------|-------|-------------|--------|--------------------|--------|--------------------------------|--------|---------------------------|-----|
| | | NG | LP | NG | LP | NG | LP | NG | LP |
| Liberty | L900 | 41,500 | 38,500 | 28,000 | 31,000 | 60.29% | 62.21% | 58% | 61% |
| | L676 | 33,000 | 31,500 | 22,000 | 25,000 | 60.74% | 61.60% | 52% | 58% |
| Bellavista | B36XT | 31,000 | 31,000 | 21,500 | 25,000 | 64.70% | 64.88% | 71% | 71% |
| | B36X | 18,500 | 17,500 | 12,500 | 14,500 | 61.60% | 64.32% | 69% | 70% |
| Panorama | P131 | 40,000 | 39,000 | 20,500 | 20,600 | 60.66% | 62.51% | 75% | 76% |
| | P121 | 40,000 | 39,000 | 20,500 | 20,600 | 60.66% | 62.51% | 75% | 76% |
| | P48 | 51,000 | 48,000 | 29,000 | 26,000 | 62.30% | 62.51% | 70% | 70% |
| | P42 | 35,000 | 35,000 | 17,500 | 17,500 | 63.20% | 63.20% | 82% | 83% |
| | P36D | 30,000 | 30,000 | 15,500 | 15,000 | 64.62% | 64.62% | 82% | 82% |
| | P36 | 30,000 | 30,000 | 15,500 | 15,000 | 62.70% | 62.70% | 82% | 82% |
| | P33 | 22,500 | 21,500 | 10,500 | 10,500 | 62.49% | 65.03% | 76% | 77% |
| Excalibur | P95 | 45,000 | 40,000 | 23,200 | 22,400 | 66.76% | 67.48% | 75% | 77% |
| | P90 | 35,000 | 35,000 | 18,200 | 17,950 | 67.75% | 67.75% | 75% | 75% |

Liberty direct vent fireplaces L900 / L676

| Dimensions | L676 | L900 |
|--------------|------------|------------|
| Viewing area | 676 sq.in. | 900 sq.in. |
| Flue size | 5/8" | 5/8" |
| A | 29-5/8" | 33-5/8" |
| B | 28-1/16" | 32-1/16" |
| C | 45-5/8" | 50-3/8" |
| D | 8-1/4" | 9" |
| E | 1" | 1" |
| F | 1-1/2" | 1-7/8" |
| G | 26" | 30" |
| H | 42-1/2" | 51-1/2" |
| I | 1/2" | 2" |
| J | 24" | 27" |

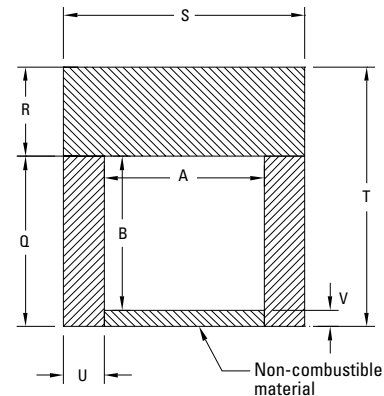
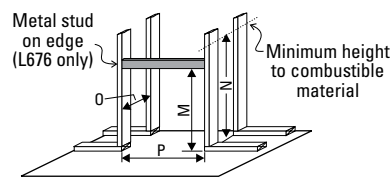
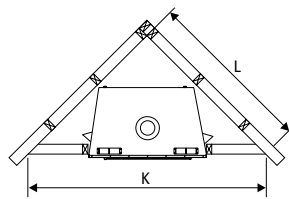


Framing - Top View

Framing - Front View

| Framing | L676 | L900 |
|---------|-----------|-----------|
| K | 80-13/16" | 90-7/16" |
| L | 57-3/16" | 63-15/16" |
| M* | 45-7/8" | 50-3/4" |
| N | 56-1/4" | 60" |
| O | 24-1/2" | 26-1/2" |
| P | 43" | 52" |

* Metal stud required.



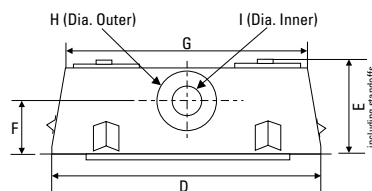
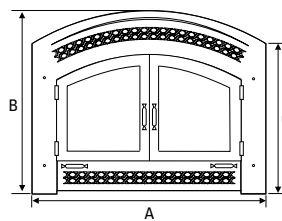
Excalibur direct vent fireplaces P95/P90

| Non-combustibles | L676 | L900 |
|------------------|----------|----------|
| Q | 31-1/16" | 35-1/16" |
| R | 16-9/16" | 17-7/16" |
| S | 44-1/2" | 53-3/4" |
| T | 47-5/8" | 52-1/2" |
| U | 7-3/16" | 10-1/16" |
| V | 3" | 3" |

| Mantel clearances*** | L676 | L900 |
|----------------------|---------|---------|
| 3-1/2" depth mantel | 17-1/2" | 18-1/2" |
| 13" depth mantel | 26-1/2" | 27-1/2" |

*** from top of fireplace opening (B)
No hearth required.

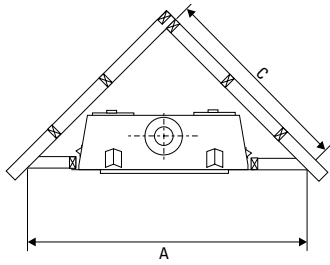
P95 & P90



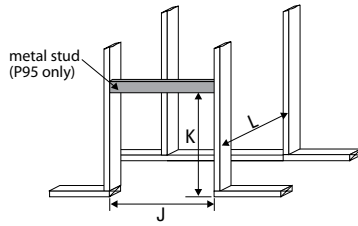
| Dimensions | P95 | P90 |
|-------------|---------|---------|
| A | 45-3/4" | 37" |
| B | 32-7/8" | 29-1/4" |
| C | 27-5/8" | 24" |
| D | 48-1/2" | 42" |
| E | 21-1/8" | 19-1/4" |
| F | 12-3/8" | 10-7/8" |
| G | 36" | 31" |
| H | 8" | 6-5/8" |
| I | 5" | 4" |
| Unit height | 41-3/4" | 38" |

Excalibur direct vent fireplaces P95/P90

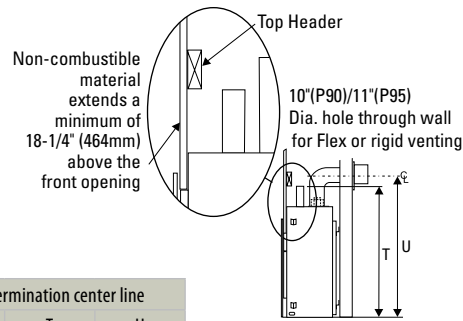
FRAMING - TOP VIEW CORNER INSTALL



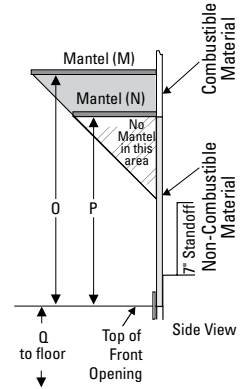
FRAMING - FRONT VIEW



MINIMUM TERMINATION CENTER LINE



MANTEL CLEARANCES - SIDE VIEW



| Minimum clearances to combustibles/framing | | | | | |
|--|---------|---------|---------|---------|---------|
| | A | C | J | K* | L |
| P95 | 80-1/4" | 56-3/4" | 53-3/8" | 50-1/8" | 21-1/4" |
| P90 | 70-1/2" | 49-7/8" | 46-1/2" | 46-3/8" | 19-1/2" |

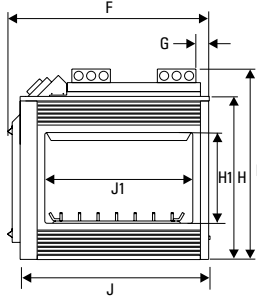
| Minimum termination center line | | |
|---------------------------------|---------|---------|
| | T | U |
| P95 | 48-3/4" | 53-3/4" |
| P90 | 45" | 48" |

* Metal stud required (P95).

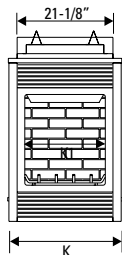
| Mantel clearances | | | | | |
|-------------------|-----|------|---------|---------|---------|
| | M | N | O | P | Q |
| P95 | 12" | 0-4" | 22" | 18" | 31-7/8" |
| P90 | 12" | 0-8" | 22-1/4" | 18-1/4" | 27-3/4" |

Panorama P131/121

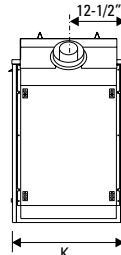
P131 / P121 Front



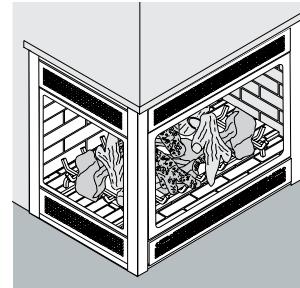
P131 Side



P131 Back / P121 Side



P121 Corner Installation



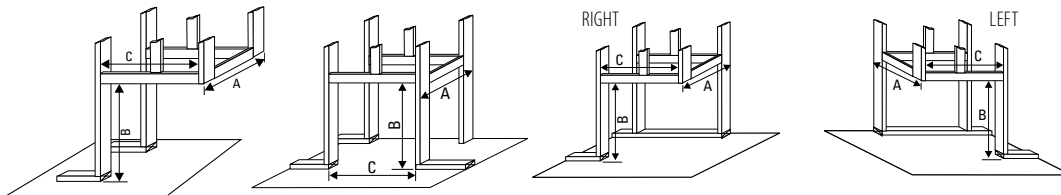
| Dimensions | F | G | H | H1 | I | J | J1 | K | K1 |
|------------|---------|--------|-----|-----|-----|---------|---------|-----------|---------|
| P131 | 44-1/2" | 3" | 36" | 20" | 42" | 41-1/2" | 32-5/8" | 25" | 17-3/4" |
| P121 | 46-1/4" | 4-3/4" | 36" | 20" | 42" | 43-1/2" | 32-5/8" | 25" | -- |
| P121LC/RC | 44-1/2" | 4-3/4" | 36" | 20" | 42" | 41-1/2" | 32-5/8" | 26-13/16" | 17-3/4" |

Note: For P121 there is a 2-3/4" vent heat shield on the vent end of the fireplace. Please allow appropriate space for center positioning.

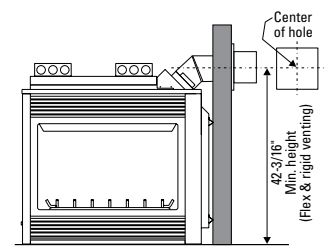
P131 FRAMING - FRONT VIEW

P121 FRAMING - FRONT VIEW

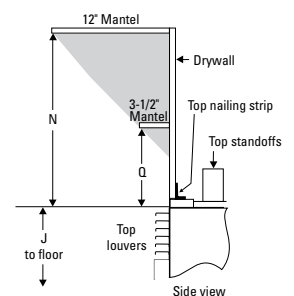
P121 FRAMING - CORNER VIEW



P131 / P121 MINIMUM TERMINATION CENTER LINE



MANTEL CLEARANCES - SIDE VIEW



| Framing | A | B | C |
|-----------------|--|---------|--|
| P131 | 25" minus two times the finishing material thickness* | 42-1/2" | 45" minus one time the finishing material thickness* |
| P121 (see-thru) | 25" minus two times the finishing material thickness* | 42-1/2" | 46-3/4" |
| P121LC/RC | 26-13/16" minus one time the finishing material thickness* | 42-1/2" | 45" minus one time the finishing material thickness* |

| Mantel Clearances | J | N | Q |
|-------------------|-----|----|----|
| P121 | 36" | 7" | 3" |
| P131 | 36" | 7" | 3" |

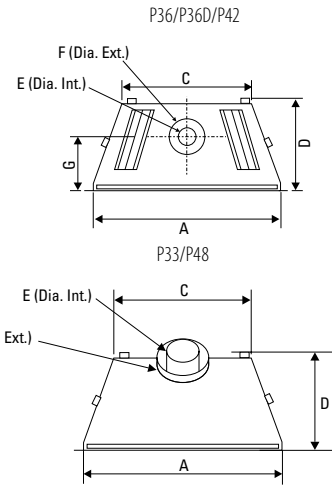
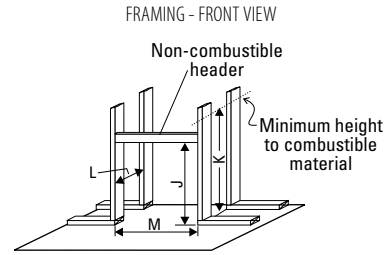
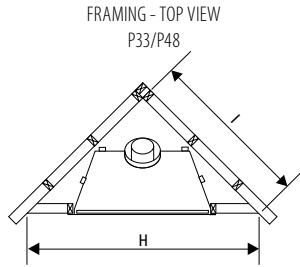
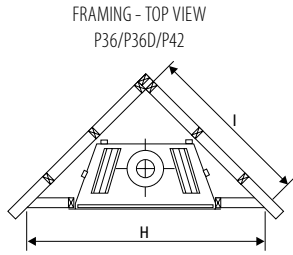
* Finish material thickness includes: drywall, ceramic tile, slate, etc.

Panorama direct vent fireplaces

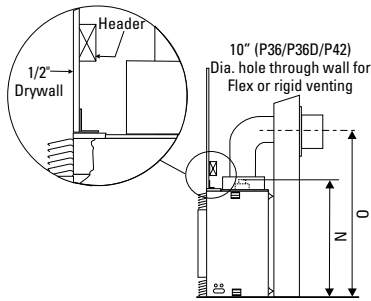
dimensions

| | A | B | A1 | B1 | C | D | E | F | G |
|------|-----|---------|----------|----------|---------|---------|----|--------|---------|
| P48 | 48" | 41" | 40-1/16" | 23-5/16" | 34-1/2" | 23-1/4" | 5" | 8" | -- |
| P42 | 40" | 34" | 32-7/8" | 18-7/16" | 24-1/4" | 18-5/8" | 4" | 6-7/8" | 11" |
| P36D | 36" | 30-1/2" | 29-3/16" | 15-1/2" | 33-1/4" | 17-1/8" | 4" | 6-7/8" | 11-1/4" |
| P36 | 36" | 30-1/2" | 29-3/16" | 15-1/2" | 33-1/4" | 12-3/4" | 4" | 6-7/8" | 7-1/4" |
| P33 | 33" | 29" | 26" | 16" | 23" | 12-3/4" | 4" | 6-7/8" | -- |

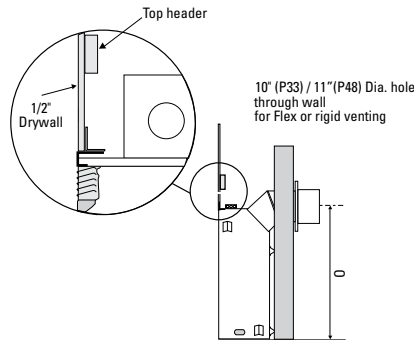
framing



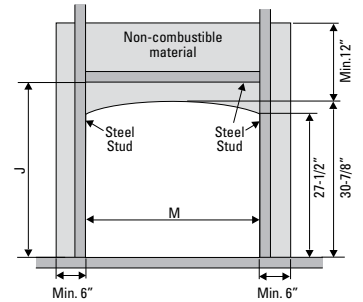
MINIMUM TERMINATION CENTER LINE
P36/P36D/P42



MINIMUM TERMINATION CENTER LINE
P33/P48



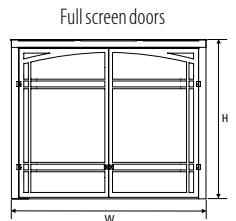
FRONT FRAMING DIMENSIONS***
P36/P36D Tripoli



| Framing (horizontal termination) | Minimum termination center line | | | | | | | |
|----------------------------------|---------------------------------|----------|---------|---------|---------|---------|---------|---------|
| | H | I | J | K | L | M | N | O |
| P48 (Flex venting) | 81-1/2" | 57-5/8" | 47-1/2" | 49-1/2" | 26-1/4" | 48-1/2" | -- | 43" |
| P48 (Rigid venting) | 81-1/2" | 57-5/8" | 47-1/2" | 53-1/2" | 26-1/4" | 48-1/2" | -- | 43" |
| P42 | 63-5/16" | 44-3/4" | 36-5/8" | 47-7/8" | 19" | 40-1/4" | 35-5/8" | 43" |
| P36 | 60" | 42-7/16" | 36-1/4" | 46" | 12-3/4" | 36-1/4" | 32-1/2" | 40-1/2" |
| P36 Deep | 68" | 48" | 37-1/4" | 46-1/2" | 17-3/8" | 36-1/4" | 32-1/2" | 40-1/2" |
| P36 Tripoli | 60" | 42-7/16" | 36-1/4" | 46" | 12-3/4" | 36-1/4" | 32-1/2" | 40-1/2" |
| P36 Tripoli Deep | 68" | 48" | 37-1/4" | 46-1/2" | 17-3/8" | 36-1/4" | 32-1/2" | 40-1/2" |
| P33 (Flex venting) | 53-1/4" | 37-1/2" | 31-3/4" | 31-7/8" | 12-3/4" | 33-1/4" | -- | 26" |
| P33 (Rigid venting) | 53-1/4" | 37-1/2" | 31-3/4" | 35-7/8" | 16-1/2" | 33-1/4" | -- | 30" |

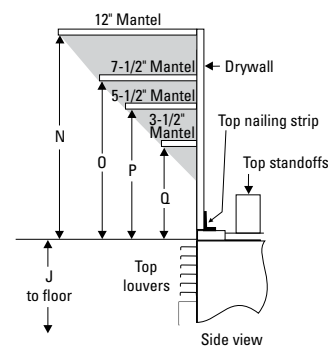
Full Screen Door Dimensions (including trim)

| | W | H | Depth |
|----------|-----------|----------|--------|
| P42 | 43-15/16" | 36-1/32" | 1-5/8" |
| P36/P36D | 40-3/16" | 32-5/8" | 1-5/8" |
| P33 | 37" | 31" | 1-5/8" |

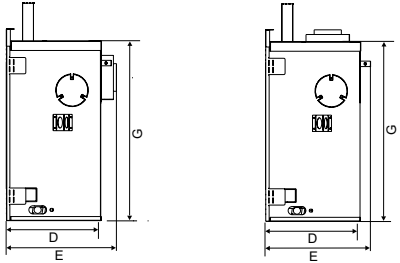
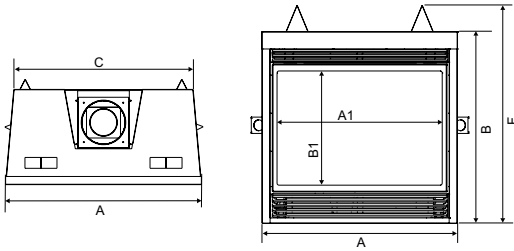


| Mantel Clearances | J | N | O | P | Q |
|-------------------|---------|-----|-----|-----|----|
| P48 | 41" | 15" | -- | 10" | 8" |
| P42 | 32-1/4" | 14" | 10" | -- | 7" |
| P36 Flush | 30-1/2" | 14" | 10" | -- | 7" |
| P36 Bay | 30-1/2" | 13" | 10" | -- | 7" |
| P36 Deep Flush | 30-1/2" | 14" | 10" | -- | 7" |
| P36 Deep Bay | 30-1/2" | 13" | 10" | -- | 7" |
| P33 | 29" | 11" | 9" | -- | 7" |

MANTEL CLEARANCES - SIDE VIEW

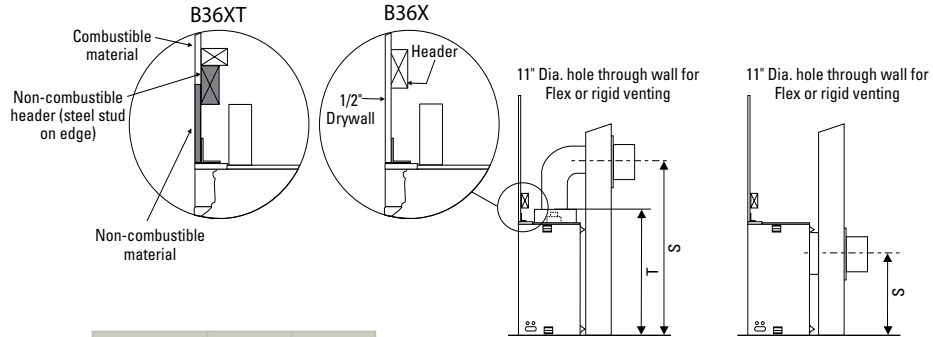
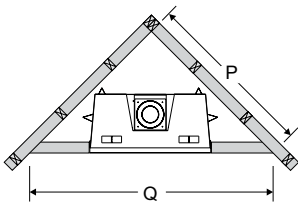
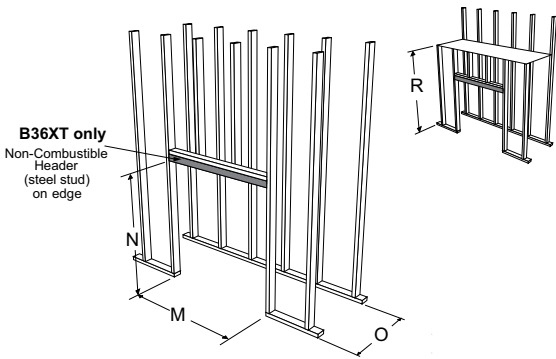


Bellavista direct vent fireplaces



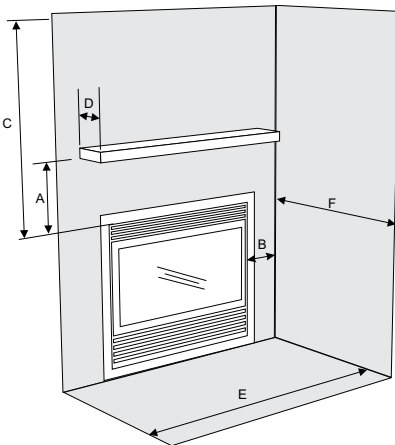
| Dimensions | B36X | B36XT |
|---------------|----------|----------|
| A | 36" | 36" |
| B | 35-1/4" | 35-1/4" |
| A1 | 30-3/8" | 30-3/8" |
| B1 | 21" | 21" |
| C | 33" | 33" |
| D | 17-5/16" | 17-5/16" |
| E (rear vent) | 20-1/4" | 20-1/4" |
| (top vent) | 19-5/16" | 20-5/16" |
| F | 39-1/16" | 41-5/16" |
| G | 33-1/16" | 33-1/16" |

Framing

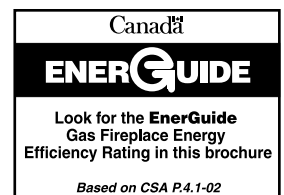


| Framing | B36X | B36XT |
|---------------|---------|---------|
| M | 36-1/4" | 40-5/8" |
| N | 39-3/8" | 41-1/2" |
| O (rear vent) | 20-3/4" | 20-3/4" |
| (top vent) | 19-1/2" | 20-1/2" |
| P (rear vent) | 53" | 53" |
| (top vent) | 48-5/8" | 48-5/8" |
| Q (rear vent) | 75" | 75" |
| (top vent) | 68-3/4" | 68-3/4" |
| R (rear vent) | 39-3/8" | 41-1/2" |
| (top vent) | 50-1/2" | 50-1/2" |
| S (rear vent) | 26-1/2" | 26-1/2" |
| (top vent) | 42-1/8" | 42-1/8" |
| T | 35-1/4" | 35-1/4" |

Clearances



| Clearances | B36X | B36XT |
|------------|---------|---------|
| A | 6-1/2" | 13" |
| B | 12" | 12" |
| C | 36-3/4" | 36-3/4" |
| D | 12" | 12" |
| E | 84" | 84" |
| F | 36" | 36" |



All products tested to the following standards: GRAVITY DIRECT VENT WALL FURNACE TESTED AND APPROVED FOR U.S.A AND CANADA TO: CAN/CGA-2.17-M91, (ANSI Z21.88b-1999/CSA 2.33b-M99).
 NOTE: All product specifications are subject to change without notice. Before installing refer to the relevant product manual for full and up to date information.

Fireplace planning made simple

Your Regency® matches your home and lifestyle perfectly. How do we know that? Because you designed it yourself!

www.regency-fire.com

1



CLICK!

Take a photo of your desired room location.

2



DESIGN

Go to www.regency-fire.com and design your perfect fireplace with the Fireplace Design Center.

3



VISUALIZE

Upload your room photo and see how the fireplace will look in your own house. Print your own brochure.

4



VISIT A REGENCY STORE

Show your plan to one of our sales associates for expert advice. Your authorized Regency dealer will advise you on all the technical aspects and install your Regency.

5



NO CHIMNEY? NO PROBLEM!

Direct vent technology means you no longer need an expensive, elaborate chimney. Simply vent your fireplace through an outside wall and finish it with an AstroCap™.

6



ENJOY!



your regency dealer