



CUSHMAN™

Gasoline Powered Vehicle Service Parts Manual



624957

ISSUED SEP 2011

REVISED MAY 2014

SERVICE PARTS MANUAL

GASOLINE POWERED UTILITY VEHICLE

SHUTTLE 2

SHUTTLE 4

SHUTTLE 6

STARTING MODEL YEAR 2012

DISCLAIMER: The E-Z-GO Division of Textron Inc. (E-Z-GO) reserves the right to incorporate engineering and design changes to products in this Manual, without obligation to include these changes on units leased/sold previously.

The information contained in this Manual may be revised periodically E-Z-GO, and therefore is subject to change without notice.

E-Z-GO DISCLAIMS LIABILITY FOR ERRORS IN THIS MANUAL, and E-Z-GO SPECIFICALLY DISCLAIMS LIABILITY FOR INCIDENTAL AND CONSEQUENTIAL DAMAGES RESULTING FROM THE USE OF THE INFORMATION AND MATERIALS IN THIS MANUAL.

TO CONTACT US

NORTH AMERICA:

TECHNICAL ASSISTANCE & WARRANTY PHONE: 1-800-774-3946, FAX: 1-800-448-8124

SERVICE PARTS PHONE: 1-888-GET-EZGO (1-888-438-3946), FAX: 1-800-752-6175

INTERNATIONAL: PHONE: 001-706-798-4311, FAX: 001-706-771-4609

E-Z-GO DIVISION OF TEXTRON INC., 1451 MARVIN GRIFFIN RD., AUGUSTA, GEORGIA USA 30906-3852

GENERAL INFORMATION

To obtain a copy of the limited warranty applicable to the vehicle, call or write a local Distributor, authorized Branch or the Warranty Department with vehicle serial number and manufacturer code.

The use of non Original Equipment Manufacturer (OEM) parts may void the warranty.

Overfilling of batteries may void the warranty.

BATTERY PROLONGED STORAGE

All batteries will self discharge over time. The rate of self discharge varies depending on the ambient temperature and the age and condition of the batteries.

A fully charged battery will not freeze in winter temperatures unless the temperature falls below -75° F (-60° C).

As with all electric vehicles, the batteries must be checked and recharged as required or at a minimum of 30 day intervals.

TABLE OF CONTENTS

SECTION	Page No.
HOW TO USE THE SERVICE PARTS MANUAL.....	Vii
ACCELERATOR.....	A - 1
AIR FILTER.....	B - 1
BODY.....	C - 1
BRAKES - FRONT DISC.....	D - 1
BRAKES - MECHANICAL.....	E - 1
CARBURETOR.....	F - 1
CLUTCH.....	G - 1
DIRECTION SELECTOR.....	H - 1
ELECTRICAL SYSTEM.....	J - 1
ENGINE AND MUFLER.....	K - 1
ENGINE MOUNTING.....	L - 1
FRONT SUSPENSION AND STEERING.....	M - 1
FUEL SYSTEM.....	N - 1
REAR AXLE.....	P - 1
REAR SUSPENSION.....	Q - 1
SEATING.....	R - 1
STARTER / GENERATOR.....	S - 1
WEATHER PROTECTION.....	T - 1
WHEELS AND TIRES.....	U - 1

NOTES

A large grid of graph paper for taking notes, consisting of 20 columns and 30 rows of small squares.

NOTES

A large grid of 20 columns and 30 rows for taking notes, consisting of small square cells.

HOW TO USE THE SERVICE PARTS MANUAL

This manual is divided into several sections:

- GENERAL INFORMATION
- ILLUSTRATED PARTS BREAKDOWN
- APPENDIX

The first section, GENERAL INFORMATION, contains the following information:

- WARRANTY INFORMATION
- GENERAL INDEX
- HOW TO USE THE SERVICE PARTS MANUAL

The second section, ILLUSTRATED PARTS BREAKDOWN, contains illustrations and parts lists for all systems of your vehicle.

The third section, APPENDIX, contains a listing of specialty products and accessories.

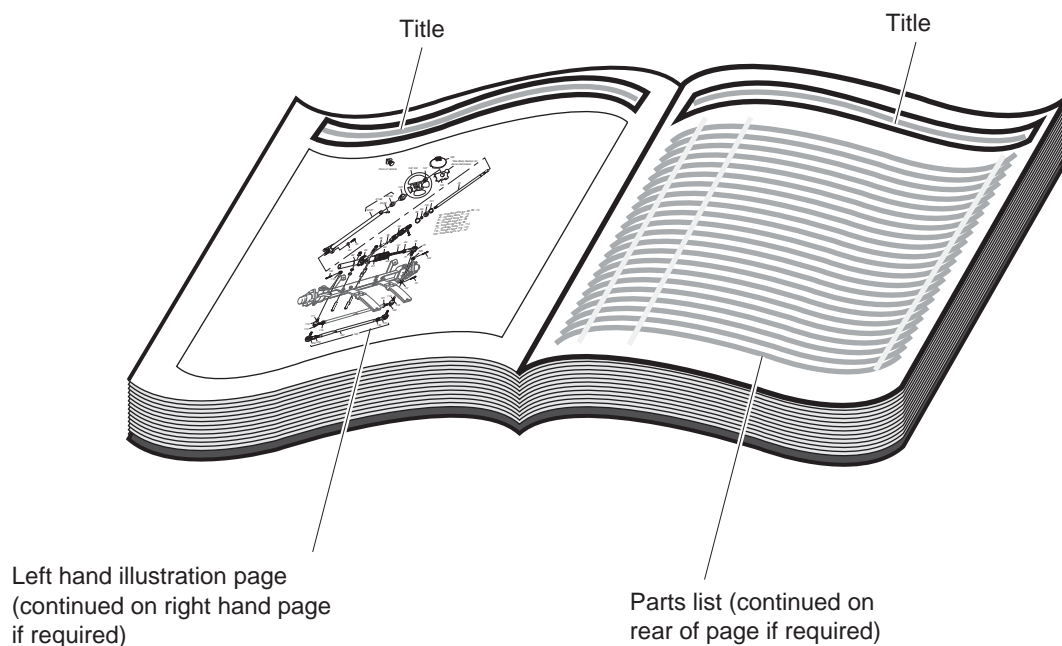
USE OF THE MANUAL

To use this manual, consult the GENERAL INDEX to locate the information or illustration required.

Introduction of some revisions varies due to supply of components; therefore, it is possible that various combinations of components may be found that are not directly reflected by each illustration. Consult the illustration that best suits your situation and then contact the Service Parts Department. It is important that the serial number of your vehicle and its model number be supplied to Service Parts when ordering any replacement components.

Locate the serial number plate (see BODY located in the Illustrated Parts Breakdown section of this manual for its location) and note the complete number shown on the plate.

HOW TO USE THE SERVICE PARTS MANUAL



1. WHEN THE PART NUMBER IS NOT KNOWN

- Determine the function and application of the part required. Turn to the General Index and select the most appropriate title.
- Turn to the page number indicated and locate the desired part on the illustration.
- From the illustration, obtain the item number assigned to the desired part. Refer to the accompanying description for specific information regarding the part.

2. IF YOU KNOW THE PART NUMBER

- Locate the part number or description in the appropriate column on the parts list page.

NOTE: It is suggested that you confirm that the part selected is correct by verifying it with the pictorial representation on the illustrated page.

Should an asterisk (*) appear in the part number column on the parts list page, read upwards until a part number is found. The part number is the lowest assembly sold by Service Parts and the asterisk (*) indicates that the part depicted is not available for purchase.

NOTE: Descriptions are indented under the assembly that they are used on. That assembly is, in turn listed under the assembly that it is used on. This process is repeated until the highest final assembly is reached.

To facilitate the maintenance and repair of the vehicle, a Technician's Repair and Service Manual is available from the Service Parts Department.

HOW TO USE THE SERVICE PARTS MANUAL

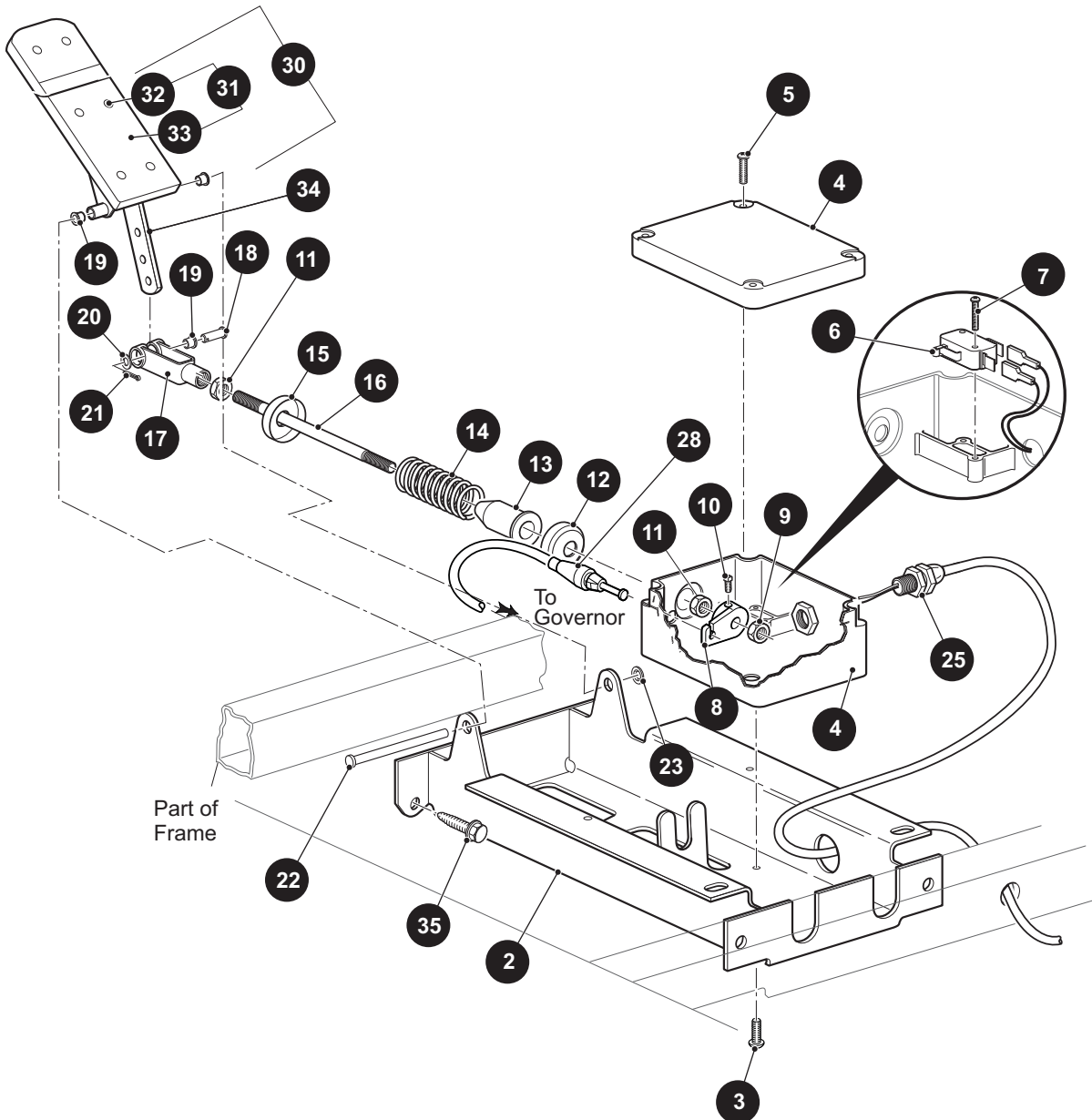
3. COLOR CODE FOR BODY COMPONENTS

The last two digits of the part number for the body part will denote the color code, locate the part number for the cowl, rear body, seat pod, side panel or seat wrap then locate your color in the list below, replace the last ** or XX with the two digit color code.

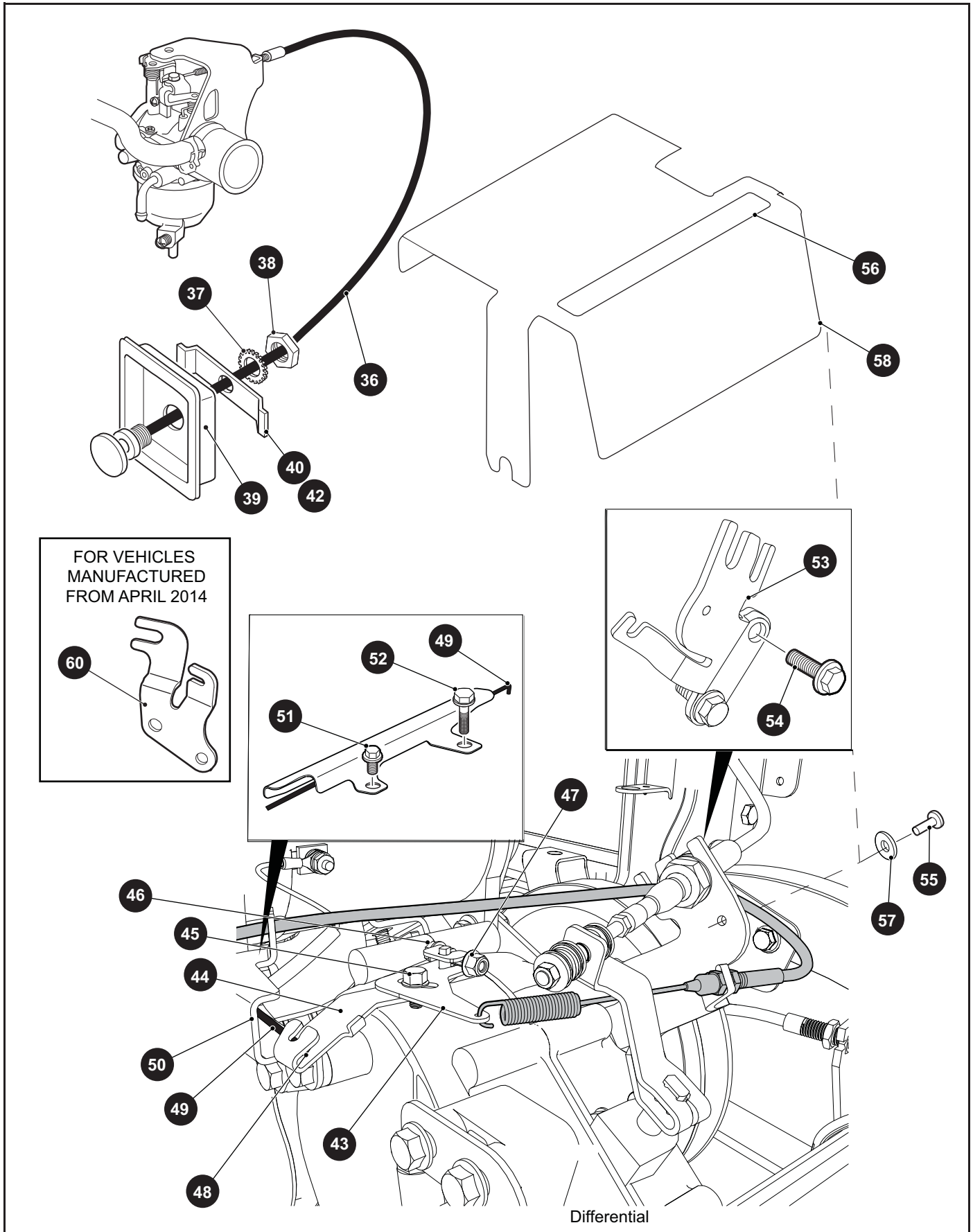
<u>CODE #</u>	<u>DESCRIPTION</u>	<u>CODE #</u>	<u>DESCRIPTION</u>
01	NO PAINT	53	MOSSY OAK NEW BREAK UP - DIPPED
02	SPECIAL COLOR	54	MOSSY OAK OBSESSION - DIPPED
05	JACOBSEN ORANGE	55	REALTREE ADVANTAGE MAX 4 - DIPPED
06	LIGHT GOLD PEARL	56	REALTREE HARDWOOD BROWN - DIPPED
07	SILVER PEARL METALIC	57	REALTREE AP HOT PINK - DIPPED
11	BLACK	58	BLACK / SILVER MARBLE - DIPPED
12	EMERALD GREEN PEARL	59	RED / SILVER MARBLE - DIPPED
13	CLOUD GRAY	60	HOT PINK / SILVER MARBLE - DIPPED
14	VIPER BLUE METALLIC	61	REALTREE AP
19	PATRIOT BLUE PEARL	62	REALTREE MAX 4
20	INFERNO RED METALLIC	63	MOSSY OAK BREAKUP
23	ADVANTAGE CLASSIC CAMO	64	MOSSY OAK TREESTAND
24	NATURAL	65	REALTREE APG
25	VIVID NEW HOLLAND BLUE	66	REALTREE MAX 1
26	STEEL BLUE PEARL	67	REALTREE AP PINK
27	BRIGHT SILVER METALLIC	68	REALTREE AP - DIPPED
29	PRIMER ONLY	69	MONSTER GREEN
30	HD ADVANTAGE CAMO	74	BARLEY GOLD
31	METALLIC CHARCOAL	75	OASIS GREEN
32	LIGHT ALMOND PEARL	76	JAVA BROWN
33	TIMBERLINE GREEN		
34	DEEP MOLTEN RED		
35	SAFETY YELLOW		
36	IVORY		
37	FOREST GREEN		
38	BRIGHT WHITE		
39	FLAME RED		
40	BLACK		
41	ELECTRIC BLUE		
42	PLATINUM		
43	BURGUNDY		
44	ALMOND		
45	BLACK		
46	FLAME RED		
47	BURLINGTON GREEN		
48	BLACK		
49	FLAME RED		
50	RECON GREEN		
51	SUNBURST ORANGE		
52	BRITISH RACING GREEN		

ACCELERATOR

1 PEDAL BOX ASSEMBLY includes items 2 - 34



ACCELERATOR



FOR VEHICLES
MANUFACTURED
FROM APRIL 2014

Differential

ACCELERATOR

When ordering parts, please specify the model and serial number of the product.

* Indicates a component that is not available as an individual part.

*** Indicates consult Customer Service Department for additional information.

ITEM	PART NO.	1 2 3 4 5	DESCRIPTION	QTY.
1	606992		PEDAL BOX ASSEMBLY (INCLUDES ITEMS 2 - 34)	1
2	70116G02		ACCELERATOR PEDAL BRACKET	1
3	01051G01		PAN HEAD PHILIPS SCREW, #8 - 16 X 1/2" LG	4
4	25853G03		PEDAL BOX AND COVER	1
5	00684G6		TRUSS HEAD PHILLIPS SCREW (SS), #8 - 32 X 3/4" LG	2
6	25861G01		MICRO SWITCH	1
7	01050G01		PAN HEAD TORX SCREW, #4 - 20 X 5/8" LG	2
8	72716G01		MICRO SWITCH CAM	1
9	15126G1		LOCK NUT, 5/16" - 24	1
10	00487G3		SOCKET HEAD SCREW, 1/4" - 20 X 3/8" LG	1
11	00532G4		HEX NUT, 5/16" - 24	2
12	17677G1		SPRING RETAINER	1
13	17979G1		ACCELERATOR ROD BUSHING	1
14	73046G01		COMPRESSION SPRING	1
15	17677G2		SPRING RETAINER	1
16	72072G01		ACCELERATOR ROD	1
17	10385G4		CLEVIS YOKE (ADJUSTABLE)	1
18	10386G3		CLEVIS PIN, 5/16" X 13/16" LG	1
19	17838G1		NYLON BUSHING	3
20	17255G1		TEFLON WASHER, 5/16"	1
21	10387G3		COTTER PIN, 3/32" X 3/4" LG	1
22	74432G01		PEDAL PIVOT PIN	1
23	12064G6		PUSH NUT, 9/32"	1
24				
25	72201G04		WIRE HARNESS (PEDAL BOX)	1
26				
27				
28	608618		ACCELERATOR CABLE	1
29				
30	25799G03		ACCELERATOR PEDAL ASSEMBLY (INCLUDES ITEMS 31- 33)	1
31	27844G01		ACCELERATOR PEDAL PAD KIT (INCLUDES ITEMS 32- 33)	1

ACCELERATOR

When ordering parts, please specify the model and serial number of the product.

* Indicates a component that is not available as an individual part.

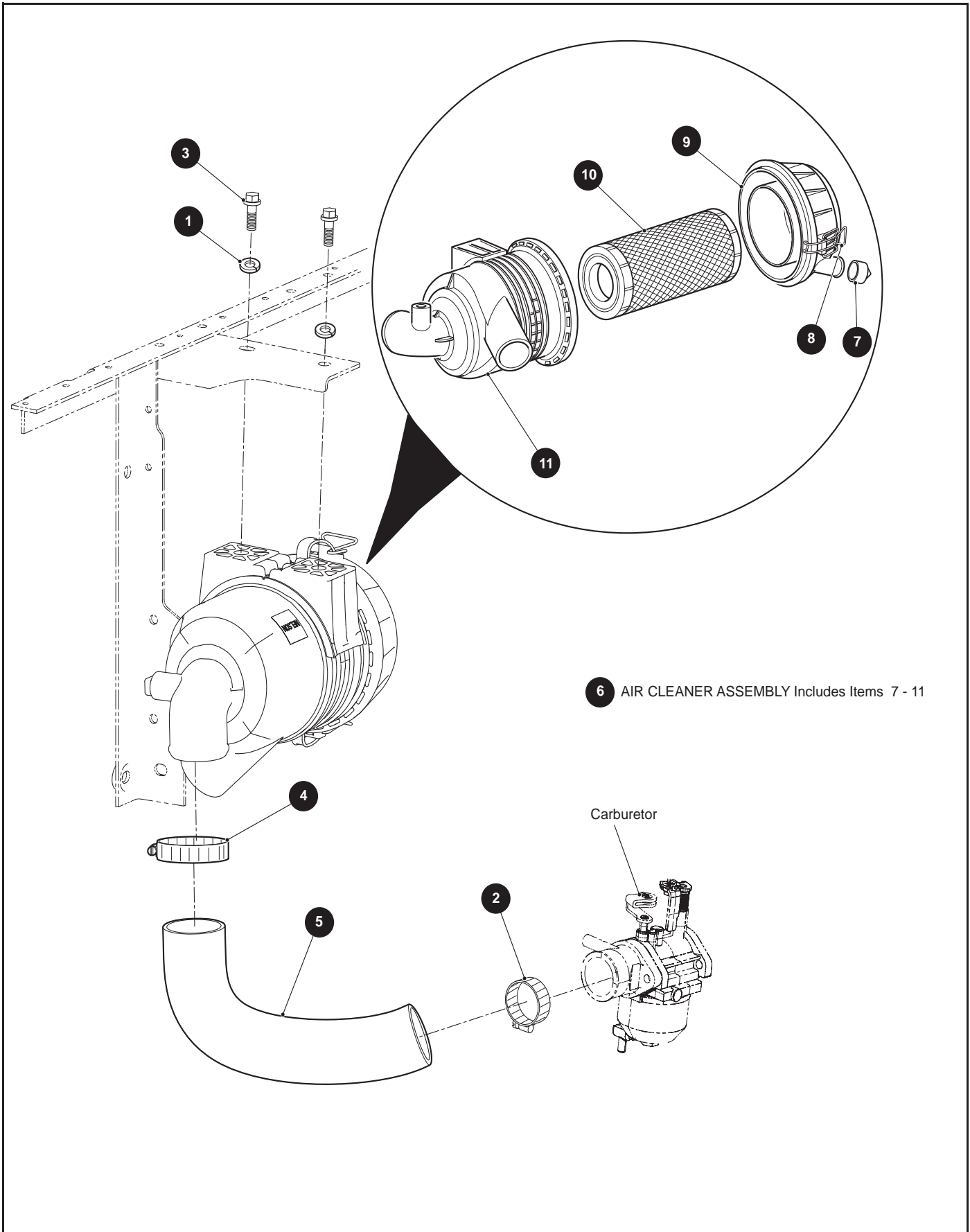
*** Indicates consult Customer Service Department for additional information.

ITEM	PART NO.	1 2 3 4 5	DESCRIPTION	QTY.
32	16409G1		OVAL RIVET, 3/16" X 7/16" LG	6
33	27512G01		ACCELERATOR PEDAL PAD	1
34	*		ACCELERATOR PEDAL	
35	00715G2		HEX HEAD BOLT, 5/16" - 18 X 4/5" LG	4
36	605795		CHOKE CABLE ASSY	1
37	00568G4		LOCK WASHER, 9/16"	1
38	00545G4		JAM NUT, 9/16" - 18	1
39	72154G01		CHOKE CABLE ADAPTER.....	1
40	72155G02		RETAINER (SHUTTLE -2)	1
41				
42	72155G01		RETAINER (SHUTTLE 4 -6)	1
43	606083		UPPER GOVERNOR BRACKET.....	1
44	606005		LOWER GOVERNOR BRACKET	1
45	606265		HEX HEAD BOLT, M6 - 1 X 12MM LG.....	1
46	606421		HEX HEAD BOLT, M6 - 1 X 30MM LG.....	1
47	450452		HEX NUT, M6 - 1.0.....	1
48	606283		GOVERNOR LEVER BUSHING	1
49	606284		GOVERNOR ROD	1
50	603890		GOVERNOR ROD GUARD	1
51	606264		HEX HEAD BOLT, M6 - 1 X 20MM LG.....	1
52	606262		HEX HEAD BOLT, M8 - 1.25 X 16MM LG.....	1
53	606074		GOVERNOR CABLE / DIRECTION SELECTOR BRACKET	1
54	606256		FLANGED HEX HEAD BOLT, M10 - 1.25 X 16MM LG.....	2
55	14601G11		RIVET 3/16" X 9/16".....	1
56	608527		GOVERNOR WARNING DECAL.....	1
57	00915G1		FLAT WASHER, 1/4"	1
58	606199		GOVERNOR COVER	1
59	17618G1		NYLON CLAMP	2
60	632936		GOVERNOR CABLE / DIRECTION SELECTOR BRACKET (FOR VEHICLES MANUFACTURED FROM APRIL 2014)	1

Notes:

A large grid area for handwritten notes, consisting of approximately 20 columns and 25 rows of squares.

AIR FILTER



AIR FILTER

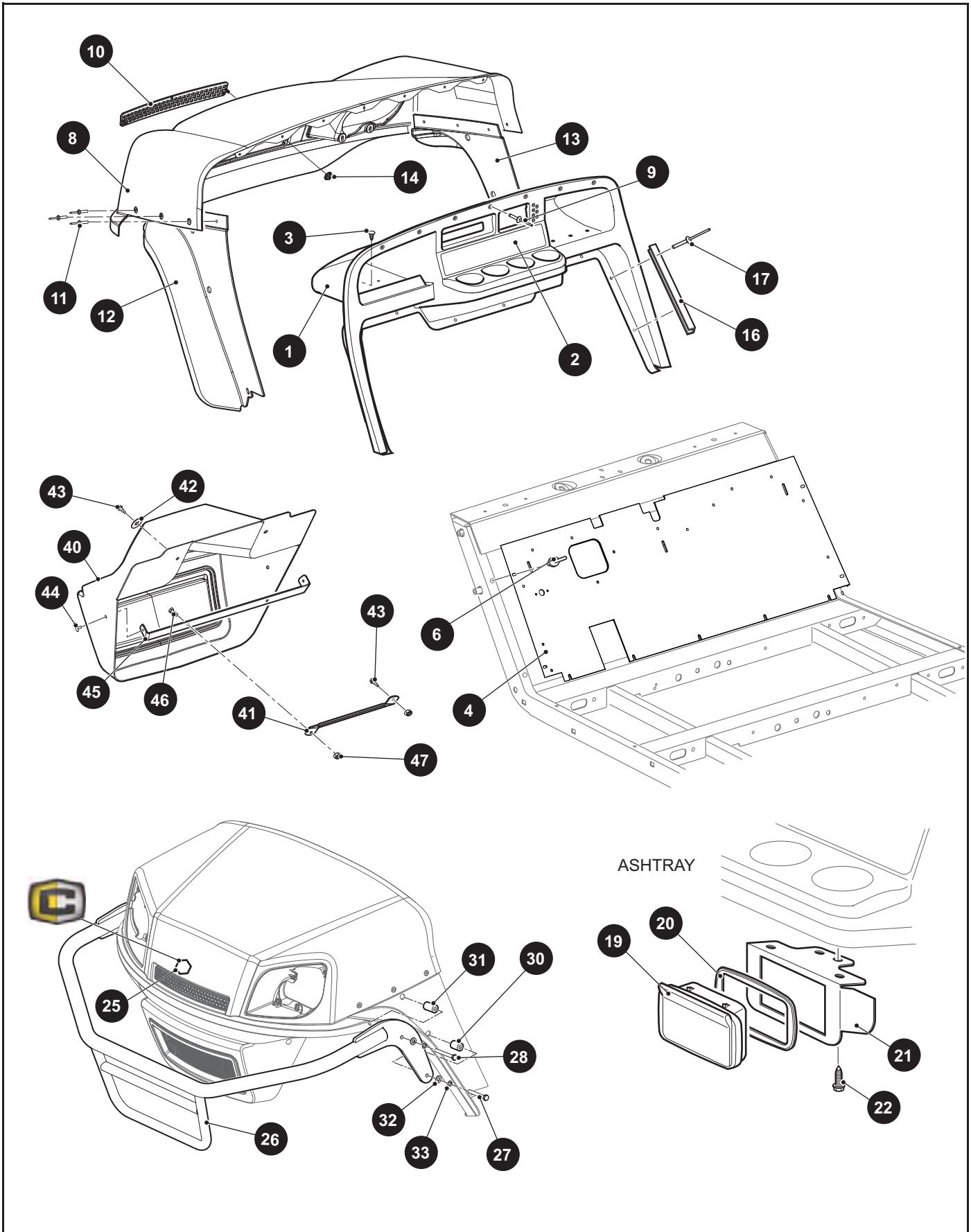
When ordering parts, please specify the model and serial number of the product.

* Indicates a component that is not available as an individual part.

*** Indicates consult Customer Service Department for additional information.

ITEM	PART NO.	1 2 3 4 5	DESCRIPTION	QTY.
1	606272		LOCK WASHER, 8 MM.....	2
2	11391G1		HOSE CLAMP, 1.31	1
3	606261		HEXAGONAL HEAD BOLT M8, 25 X 20	2
4	11391G7		HOSE CLAMP, 1.56	1
5	607950		AIR FILTER HOSE	1
6	614852		AIR CLEANER ASSEMBLY (INCLUDES ITEMS 7 - 11)	1
7	28462G01		DUST EJECTOR VALVE	1
8	72604G01		AIR CLEANER CLIP.....	2
9	72599G01		AIR CLEANER COVER.....	1
10	28463G01		AIR FILTER	1
11	615390		AIR CLEANER.....	1

BODY



When ordering parts, please specify the model and serial number of the product.

* Indicates a component that is not available as an individual part.

*** Indicates consult Customer Service Department for additional information.

ITEM	PART NO.	1 2 3 4 5	DESCRIPTION	QTY.
1	71151G03		INSTRUMENT PANEL ASSEMBLY	1
2	601781		OPERATOR INSTRUCTION DECAL.....	1
3	16816G2		RATCHET FASTENER, 1/4" X 3/4"	4
4	637534		UPPER FLOORPAN	1
5				
6	14601G11		RIVET (ALUMINUM), 3/16" X 9/16"	16
7				
8	613036GXXX		COWL	1
9	71055G01		RIVET, 3/16" X 1"	7
10	617643		GRILL COVER	1
11	71055G01		RIVET, 3/16" X 1"	6
12	614378		FENDER FLARE (DRIVER SIDE)	1
13	613274		FENDER FLARE (PASSENGER SIDE).....	1
14	71597G01		SELF THREADING NUT, 3/16" X 19/32"	2
15				
16	71115G01		VINYL TRIM	2
17	71055G01		RIVET, 3/16" X 1"	10
18				
19	27731G01		ASHTRAY	1
20	27736G01		GASKET (ASHTRAY)	1
21	75108G02		BRACKET (ASHTRAY).....	1
22	00100G4		SELF TAPPING SCREW, #10 - 16 X 1/2" LG	4
23				
24				
25	619135		CUSHMAN COWL DECAL	1
26	617620		BRUSHGUARD.....	1
27	00440G2		HEX HEAD BOLT, 5/16" - 18 X 2 1/4" LG	2
28	00440G6		HEX HEAD BOLT, 5/16" - 18 X 2 3/4" LG	2
29				
30	75048G04		SPACER, 1"	2
31	75048G01		SPACER, 1/2"	2

BODY

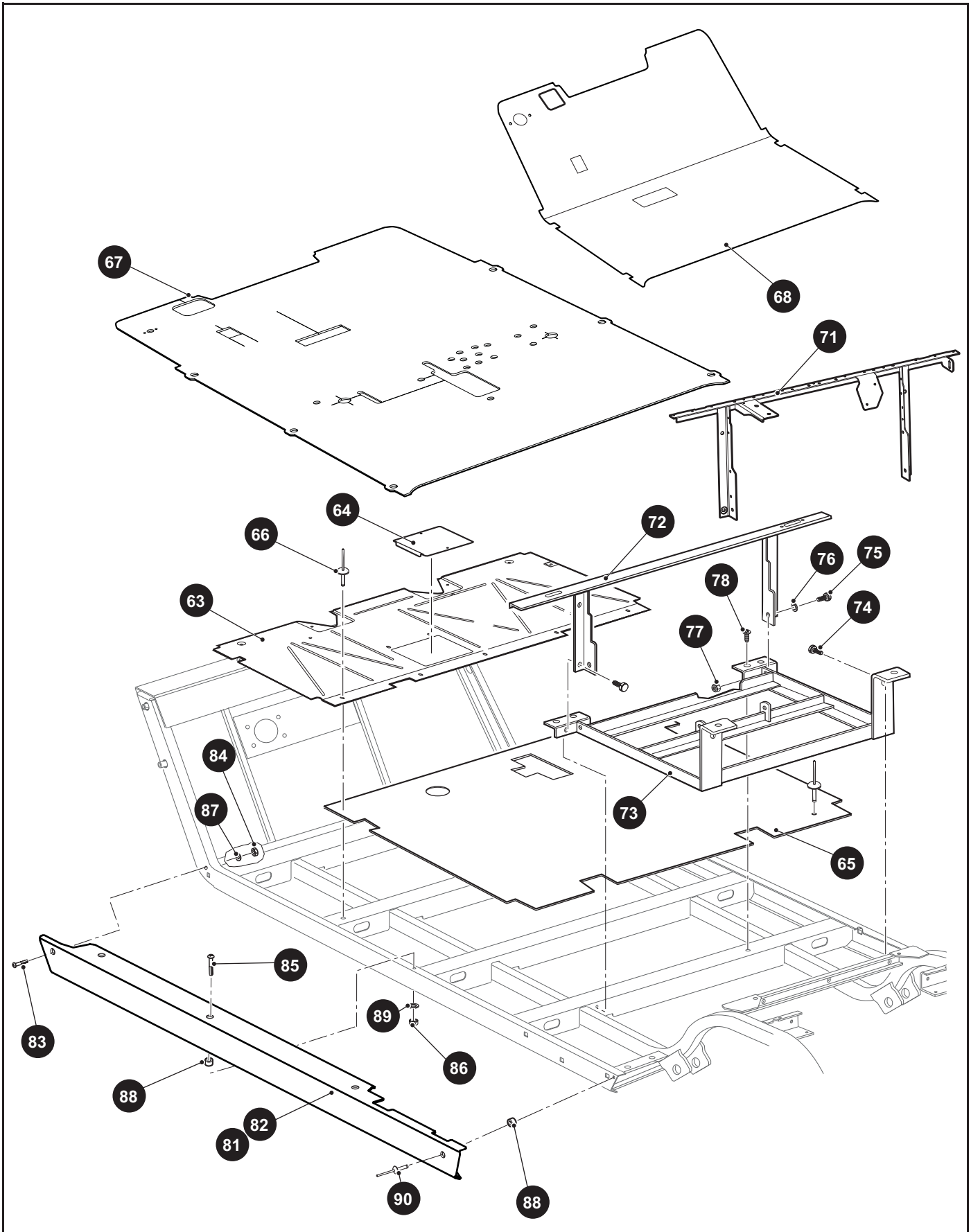
When ordering parts, please specify the model and serial number of the product.

* Indicates a component that is not available as an individual part.

*** Indicates consult Customer Service Department for additional information.

ITEM	PART NO.	1 2 3 4 5	DESCRIPTION	QTY.
32	00559G8		FLAT WASHER, 5/16"	4
33	00565G8		LOCK WASHER, 5/16"	4
34				
35				
36				
37				
38				
39				
40	613273		FRONT FASCIA	1
41	70725G02		FRONT SHIELD BRACE	2
42	16469G1		FENDER WASHER, 1 1/4"	2
43	01038G01		HEX HEAD BOLT, 1/4" - 20 X 3/4" LG.....	4
44	15058G1		RIVET (ALUMINUM), 3/16" X 4/9"	2
45	618653		FASCIA BRACKET	1
46	00414G6		HEX HEAD BOLT, 1/4" - 20 X 3/4" LG.....	2
47	14390G4		LOCK NUT, 1/4" - 20	2
48				
49				
50				
51				
52				
53				
54				
55				
56				
57				
58				
59				
60				
61				
62				

BODY



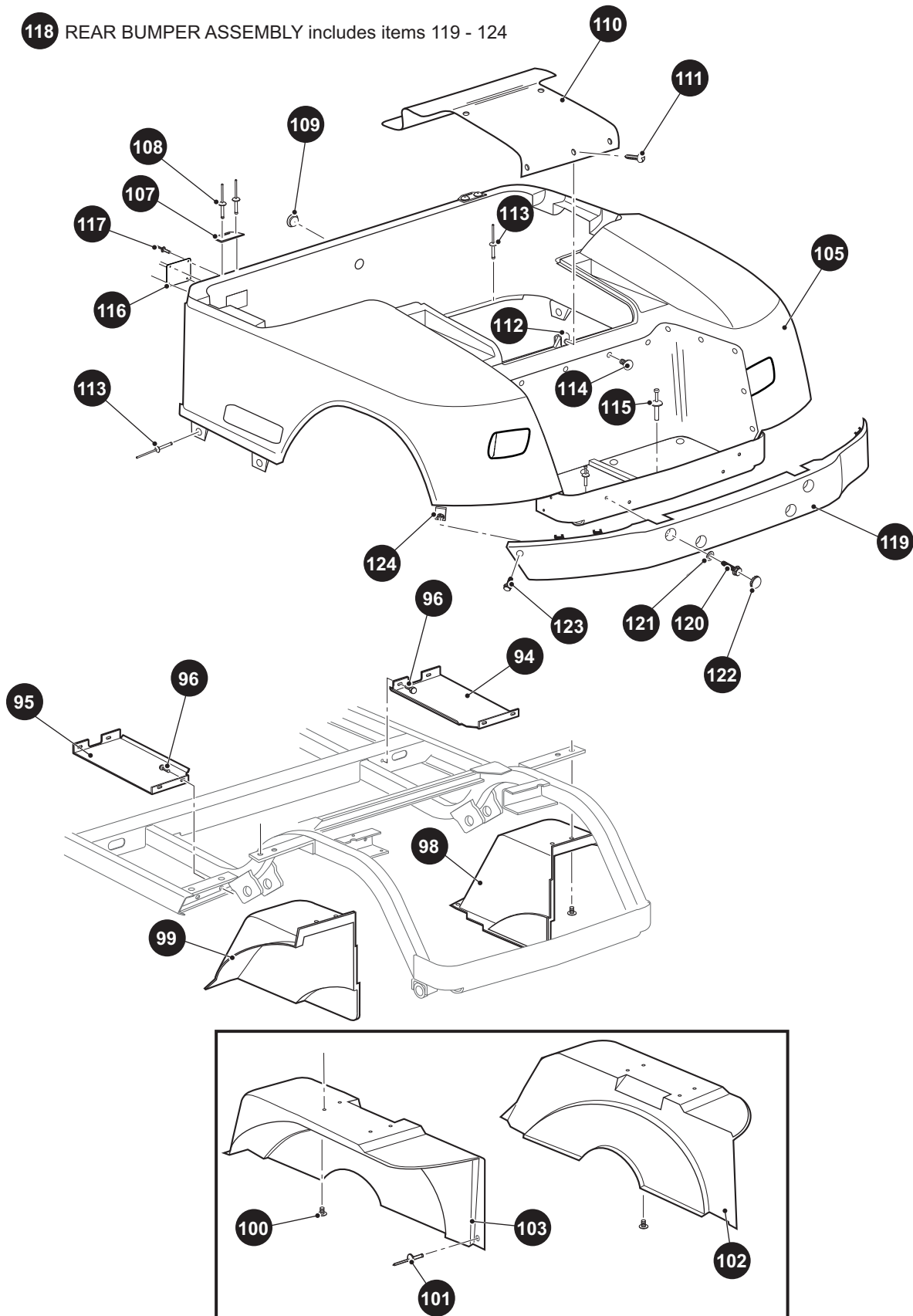
When ordering parts, please specify the model and serial number of the product.

* Indicates a component that is not available as an individual part.

*** Indicates consult Customer Service Department for additional information.

ITEM	PART NO.	1 2 3 4 5	DESCRIPTION	QTY.
63	70451G01		LOWER FLOOR PANEL	1
64	70452G01		ACCESS COVER.....	1
65	70823G01		REAR FLOOR PANEL	1
66	10570G10		RIVET (SS), 5/32" X 9/16"	5
67	70668G02		FLOORMAT WITH HORN HOLES	1
68	70663G04		FLOOR MAT WITH HORN HOLES, 1/8" (SHUTTLE 2 ONLY).....	1
69				
70				
71	605694		SEAT FRAME WELDMENT	1
72	70441G01		SEAT FRAME WELDMENT	1
73	70046G02		BATTERY RACK.....	1
74	00715G2		HEX HEAD BOLT, 5/16" - 18 X 13/16" LG	4
75	00438G6		HEX HEAD BOLT, 5/16" - 18 X 3/4" LG	2
76	00559G8		FLAT WASHER, 5/16".....	2
77	11098G6		LOCK NUT, 5/16" - 18.....	2
78	70200G01		TORX TRUSS HEAD SCREW, 3/8" - 16 X 3/4" LG.....	2
79				
80				
81	618889		ROCKER PANEL (DRIVER SIDE) (SHUTTLE 4 & 6 ONLY)	1
82	618888		ROCKER PANEL (PASSENGER SIDE) (SHUTTLE 4 & 6 ONLY).....	1
83	00789G2		TRUSS HEAD PHILLIPS SCREW, #10 - 24 X 1 1/4" LG	2
84	14390G10		LOCK NUT, #10 - 24	2
85	16705G1		TRUSS HEAD PHILLIPS SCREW (SS), 1/4" - 20 X 1" LG.....	6
86	14390G4		LOCK NUT, 1/4" - 20.....	6
87	00660G5		FLAT WASHER #10.....	2
88	23726G4		SPACER, 5/16"	8
89	00559G7		FLAT WASHER, .577" (SHUTTLE 2).....	4
90	15058G6		RIVET (ALUMINUM), 3/16" X 15/16"	4
91				
92				
93				

118 REAR BUMPER ASSEMBLY includes items 119 - 124



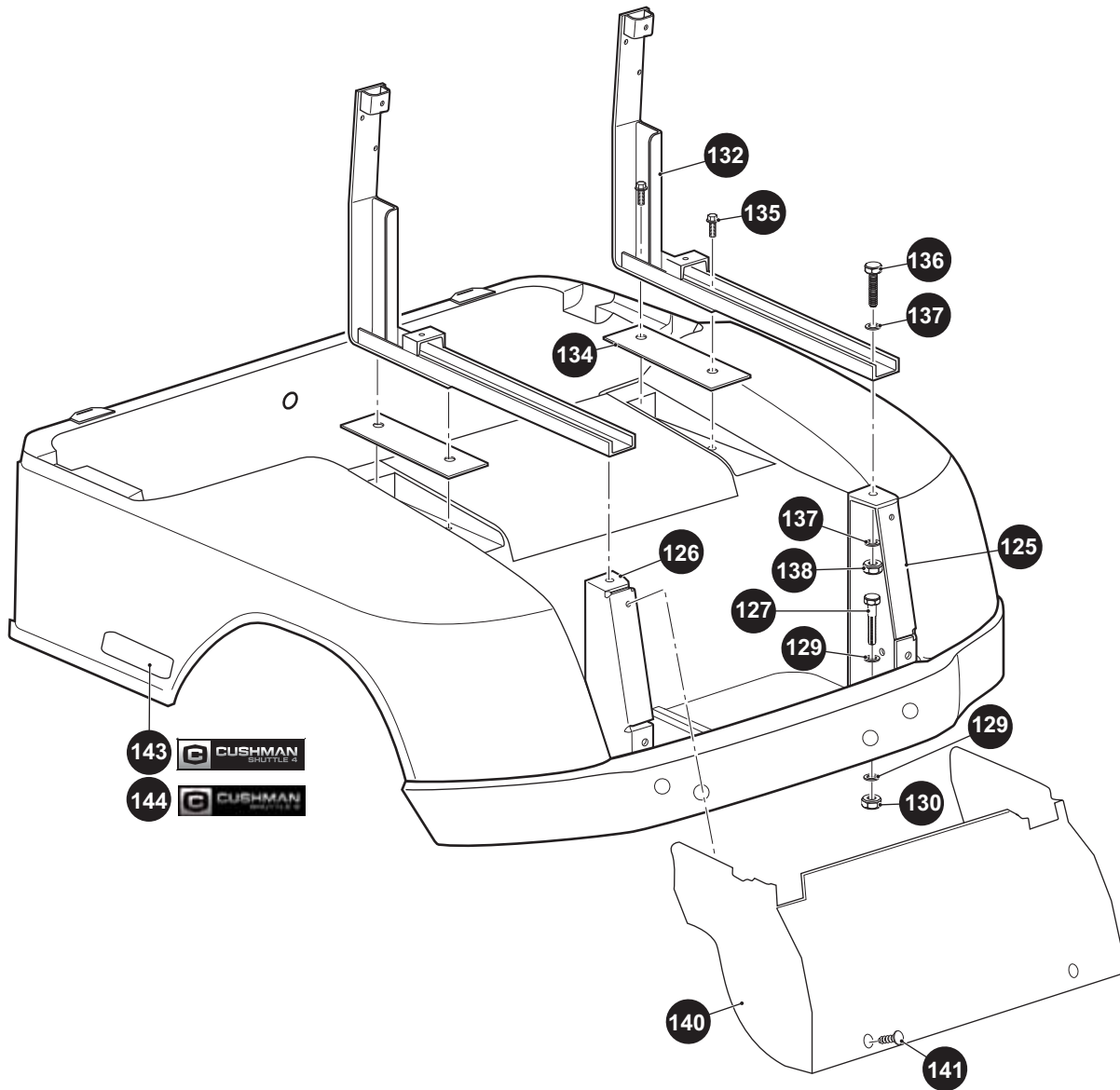
When ordering parts, please specify the model and serial number of the product.

* Indicates a component that is not available as an individual part.

*** Indicates consult Customer Service Department for additional information.

ITEM	PART NO.	1 2 3 4 5	DESCRIPTION	QTY.
94	70385G01		SPLASH PAN (PASSENGER SIDE)	1
95	70385G02		SPLASH PAN (DRIVER SIDE)	1
96	00715G2		HEX HEAD BOLT, 5/16" - 18 X 13/16" LG	8
97				
98	635054G02		FENDER (PASSENGER SIDE)	1
99	635054G01		FENDER (DRIVER SIDE)	1
100	16816G2		RATCHET FASTENER, .25" X .887"	8
101	14601G17		RIVET, 3/16" X 5/8"	2
102	74892G01		FENDER (DRIVER SIDE) (SHUTTLE 2)	1
103	74892G02		FENDER (PASSENGER SIDE) (SHUTTLE 2).....	1
104				
105	71331G0XX		REAR BODY (See COLOR CODE IN HOW TO USE SECTION)	1
106				
107	71609G01		HINGE PLATE.....	2
108	10570G11		RIVET (SS), 3/16" X 3/4"	4
109	71316G01		PLUG	1
110	71320G01		ACCESS PANEL.....	1
111	01107G01		PAN HEAD TORX SCREW, #8 X 5/8" LG	5
112	71364G02		'J' CLIP, #8	1
113	10570G12		RIVET (ALUMINUM), 1/4" X 9/16"	4
114	10570G10		RIVET (SS), 5/32" X 9/16"	6
115	18436G1		PLASTIC DRIVE RIVET, 1/4" X 9/16"	2
116	73173G02		COVER PLATE	1
117	71055G01		RIVET (ALUMINUM), 3/16" X 1"	4
118	74087G01		REAR BUMPER ASSEMBLY (INCLUDES ITEMS 119 - 124)	1
119	*		REAR BUMPER	1
120	71102G01		HEX HEAD BOLT, 1/4" - 20 X 1 1/4" LG	4
121	00571G2		FLAT WASHER, 5/16"	4
122	71455G01		BUMPER PLUG	4
123	71102G03		HEX HEAD BOLT, 1/4" - 20 X 11/16" LG.....	2
124	71554G01		'J' - TYPE NUT RETAINER, 1/4" - 20.....	2

BODY



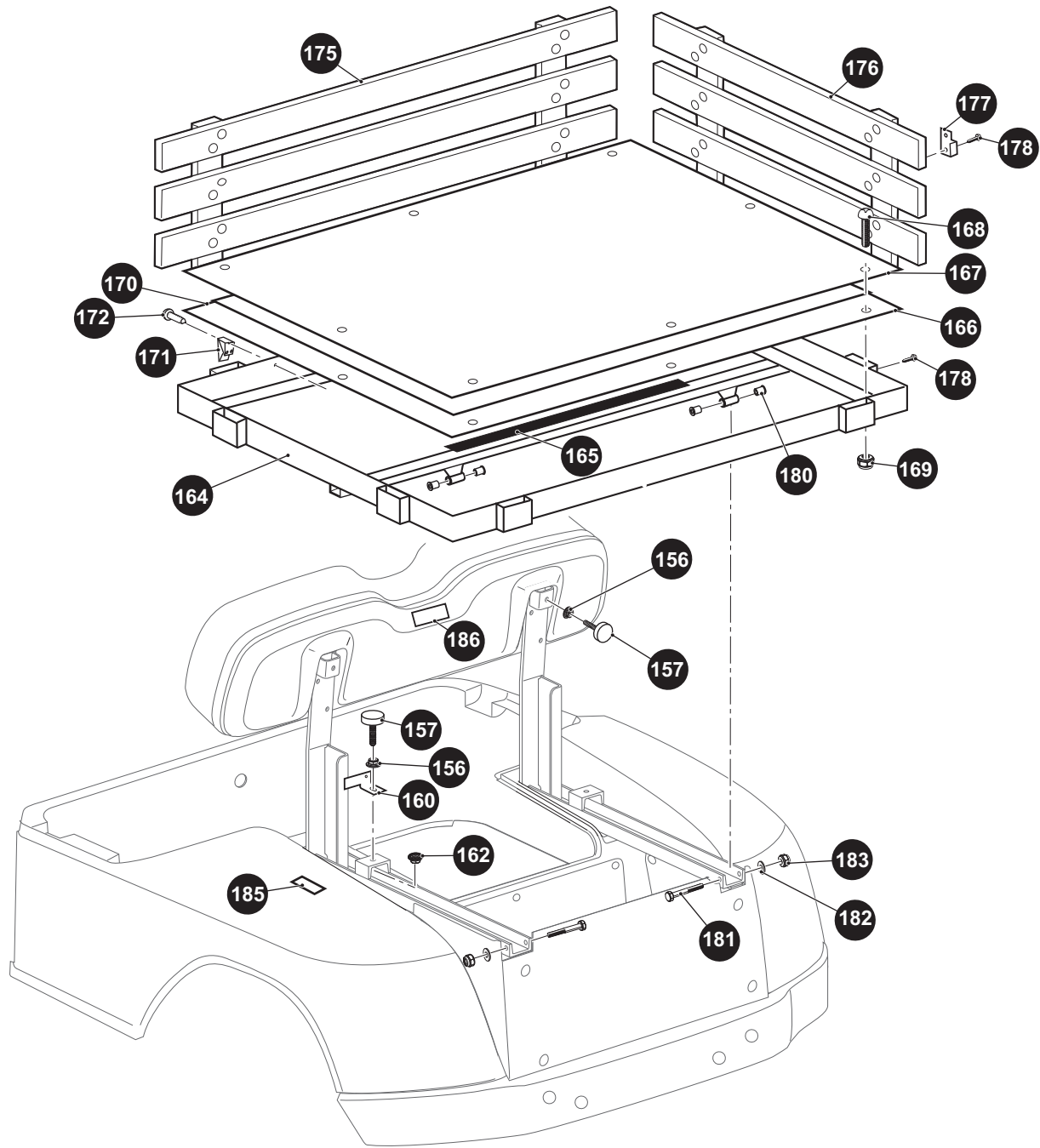
When ordering parts, please specify the model and serial number of the product.

* Indicates a component that is not available as an individual part.

*** Indicates consult Customer Service Department for additional information.

ITEM	PART NO.	1 2 3 4 5	DESCRIPTION	QTY.
125	4126G01		VERTICAL FRAME SUPPORT (PASSENGER SIDE).....	1
126	74126G02		VERTICAL FRAME SUPPORT (DRIVER SIDE)	1
127	00427G4		HEX HEAD BOLT, 3/8" - 16 X 1 1/2" LG (SHUTTLE 4)	2
128				
129	00560G1		LOCK WASHER, 3/8"	4
130	11098G5		LOCK NUT, 3/8" - 16.....	2
131				
132	74111G01		SEAT BACK SUPPORT (SHUTTLE)	2
133				
134	70364G01		SPACER, 8.45" X 2" (SHUTTLE 6).....	2
135	00427G02		HEX HEAD BOLT, 3/8" - 16 X 1 1/4" LG	4
136	00426G8		HEX HEAD BOLT, 3/8" - 16 X 1" LG	2
137	00560G1		LOCK WASHER, 3/8"	4
138	11098G5		LOCK NUT, 3/8" - 16.....	2
139				
140	74890G01		VALANCE PANEL	1
141	16816G2		RATCHET FASTENER, 1/4" X 3/4"	2
142				
143	619146		CUSHMAN LABEL (SHUTTLE 4)	1
144	619148		CUSHMAN LABEL (SHUTTLE 6)	1
145				
146				
147				
148				
149				
150				
151				
152				
153				
154				
155				

BODY



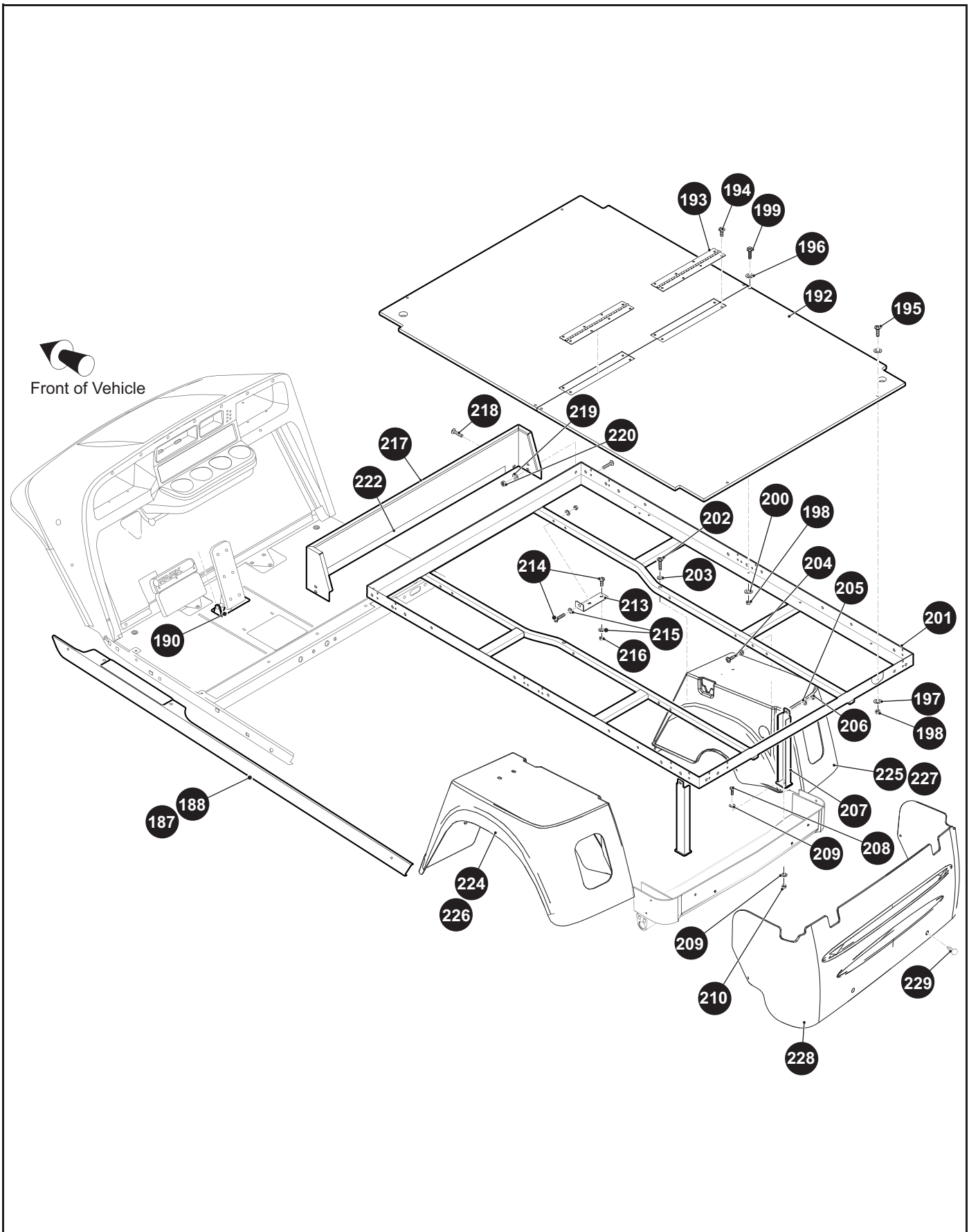
When ordering parts, please specify the model and serial number of the product.

* Indicates a component that is not available as an individual part.

*** Indicates consult Customer Service Department for additional information.

ITEM	PART NO.	1 2 3 4 5	DESCRIPTION	QTY.
156	11027G1		LOCK NUT, 5/16" - 18.....	6
157	70113G01		ADJUSTABLE BUMPER.....	4
158				
159				
160	72914G01		HOLD DOWN BRACKET.....	1
161				
162				
163				
164	74080G01		CARGO DECK (SHUTTLE 4).....	1
165	23052G1		NOISE SUPPRESSOR.....	1
166	74082G01		STEEL DECK.....	1
167	74097G01		CARGO BED MAT.....	1
168	16705G3		TRUSS HEAD PHILLIPS SCREW (SS), 1/4" - 20 X 3/4" LG.....	8
169	14390G4		LOCK NUT, 1/4" - 20.....	8
170	608984		TAPE (DOUBLE SIDED).....	40"
171	72913G01		LATCH.....	1
172	00100G6		HEX HEAD BOLT, #10 - 16 X 3/4" LG.....	3
173				
174				
175	34280G02		FRONT/REAR CARGO RACK.....	2
176	34280G01		SIDE CARGO RACK.....	2
177	74079G01		TAILGATE RETAINER BRACKET.....	2
178	00666G6		TAPPING SCREW (SS), #10 - 12 X 3/4" LG.....	10
179				
180	17838G1		NYLINER BUSHING.....	4
181	00440G4		HEX HEAD BOLT, 5/16" - 18 X 2 1/2" LG.....	2
182	00559G8		FLAT WASHER, 5/16".....	2
183	11098G6		LOCK NUT, 5/16" - 18.....	2
184				
185	74099G01		LABEL (WARNING) (BED LATCH - SHUTTLE 4).....	1
186	74095G01		LABEL (WARNING) (LOAD BED - SHUTTLE 4).....	1

BODY



When ordering parts, please specify the model and serial number of the product.

* Indicates a component that is not available as an individual part.

*** Indicates consult Customer Service Department for additional information.

ITEM	PART NO.	1 2 3 4 5	DESCRIPTION	QTY.
187	619094		ROKER PANEL (DRIVER SIDE) (SHUTTLE 2)	1
188	619095		ROKER PANEL (PASSENGER SIDE) (SHUTTLE 2)	1
189				
190	70135G01		PEDAL PIVOT COVER.....	1
191				
192	72966G01		CARGO DECK (SHUTTLE 2)	2
193	33121G01		HINGE.....	2
194	16705G3		TRUSS HEAD PHILLIPS SCREW (SS), 1/4" - 20 X 3/4" LG.....	8
195	16705G9		TRUSS HEAD PHILLIPS SCREW (SS), 1/4" - 20 X 1 1/4" LG	2
196	00559G7		FLAT WASHER, 1/4"	4
197	00559G7		FLAT WASHER, 1/4"	2
198	00654G2		LOCK NUT, 1/4" - 20	4
199	00753G5		TRUSS HEAD PHILLIPS SCREW (SS), 1/4" - 20 X 2" LG.....	2
200	16469G1		FENDER WASHER, 1/4"	2
201	72956G01		BED FRAME	1
202	01075G01		HEX HEAD BOLT, 3/8" - 16 X 2 3/4" LG	2
203	00571G3		FLAT WASHER, 3/8"	2
204	00439G6		HEX HEAD BOLT, 5/16" - 18 X 1 3/4" LG	4
205	00559G8		FLAT WASHER, 5/16"	8
206	11098G6		LOCK NUT, 5/16" - 18	4
207	72982G01		BRACKET	2
208	00438G6		HEX HEAD CAP SCREW, 5/16" - 18 X 3/4" LG	2
209	00559G8		FLAT WASHER, 5/16"	2
210	11098G6		LOCK NUT, 5/16" - 18	2
211				
212				
213	72983G01		BED MOUNT BRACKET.....	2
214	16705G3		HEX HEAD BOLT (SS), 1/4" - 20 X 3/4" LG	4
215	00559G7		FLAT WASHER, 1/4"	4
216	00654G2		LOCK NUT, 1/4" - 20	4
217	72967G01		BULKHEAD.....	1

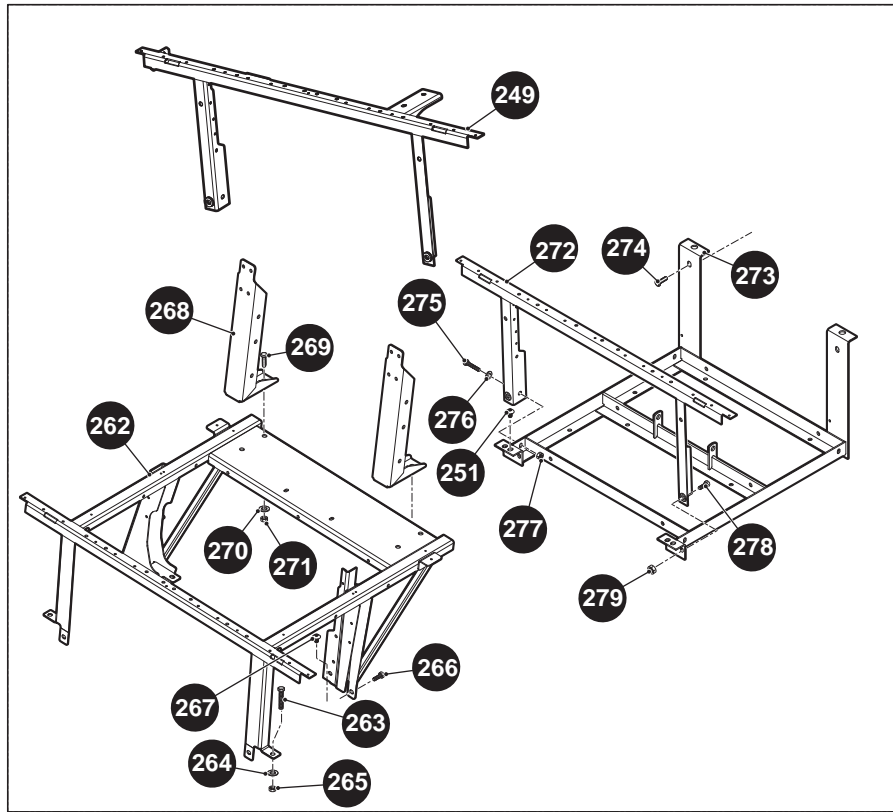
BODY

When ordering parts, please specify the model and serial number of the product.

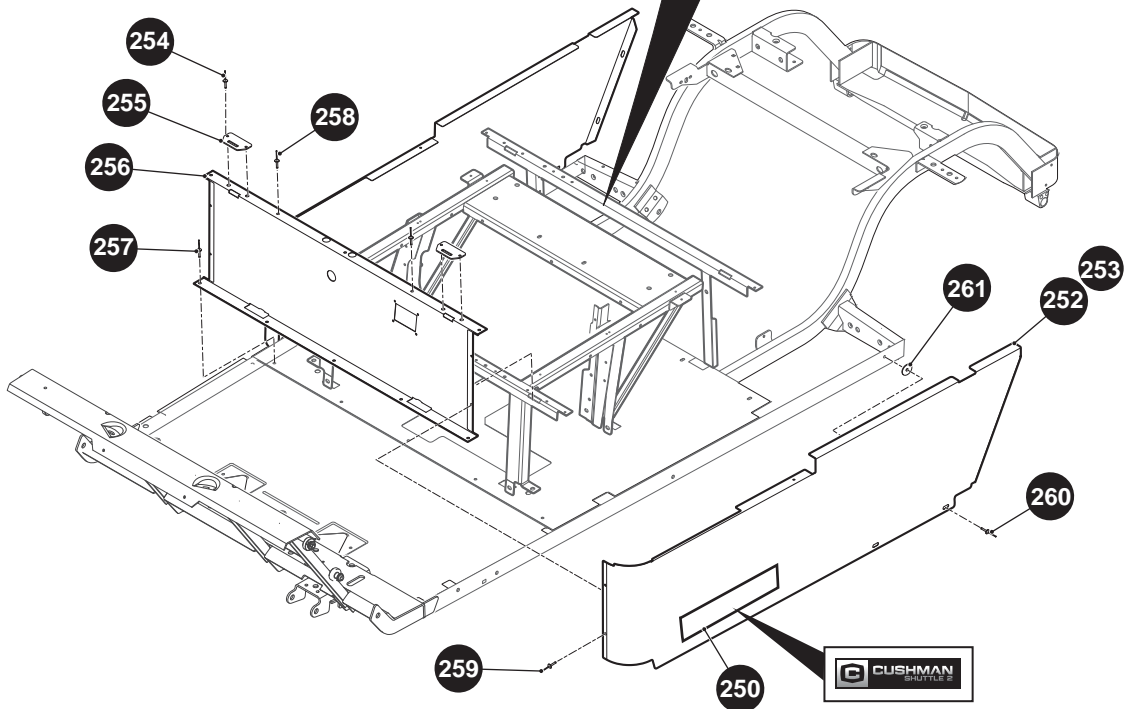
* Indicates a component that is not available as an individual part.

*** Indicates consult Customer Service Department for additional information.

ITEM	PART NO.	1 2 3 4 5	DESCRIPTION	QTY.
218	16705G3		TRUSS HEAD PHILLIPS SCREW (SS), 1/4" - 20 X 3/4" LG	6
219	00559G7		FLAT WASHER, 1/4"	6
220	00654G2		LOCK NUT, 1/4" - 20	6
221				
222	22524G1		FOAM TAPE	A/R
223				
224	74892G01		FENDER (DRIVER SIDE)	1
225	74892G02		FENDER (PASSENGER SIDE)	1
226	74892G03		FENDER WITH TAILLIGHT (DRIVER SIDE)	1
227	74892G04		FENDER WITH TAILLIGHT (PASSENGER SIDE)	1
228	74890G01		REAR PANEL	1
229	16816G2		RATCHET FASTENER, 1/4" X 57/64"	4
230				
231				
232				
233				
234				
235				
236				
237				
238				
239				
240				
241				
242				
243				
244				
245				
246				
247				
248				



SHUTTLE 2



When ordering parts, please specify the model and serial number of the product.

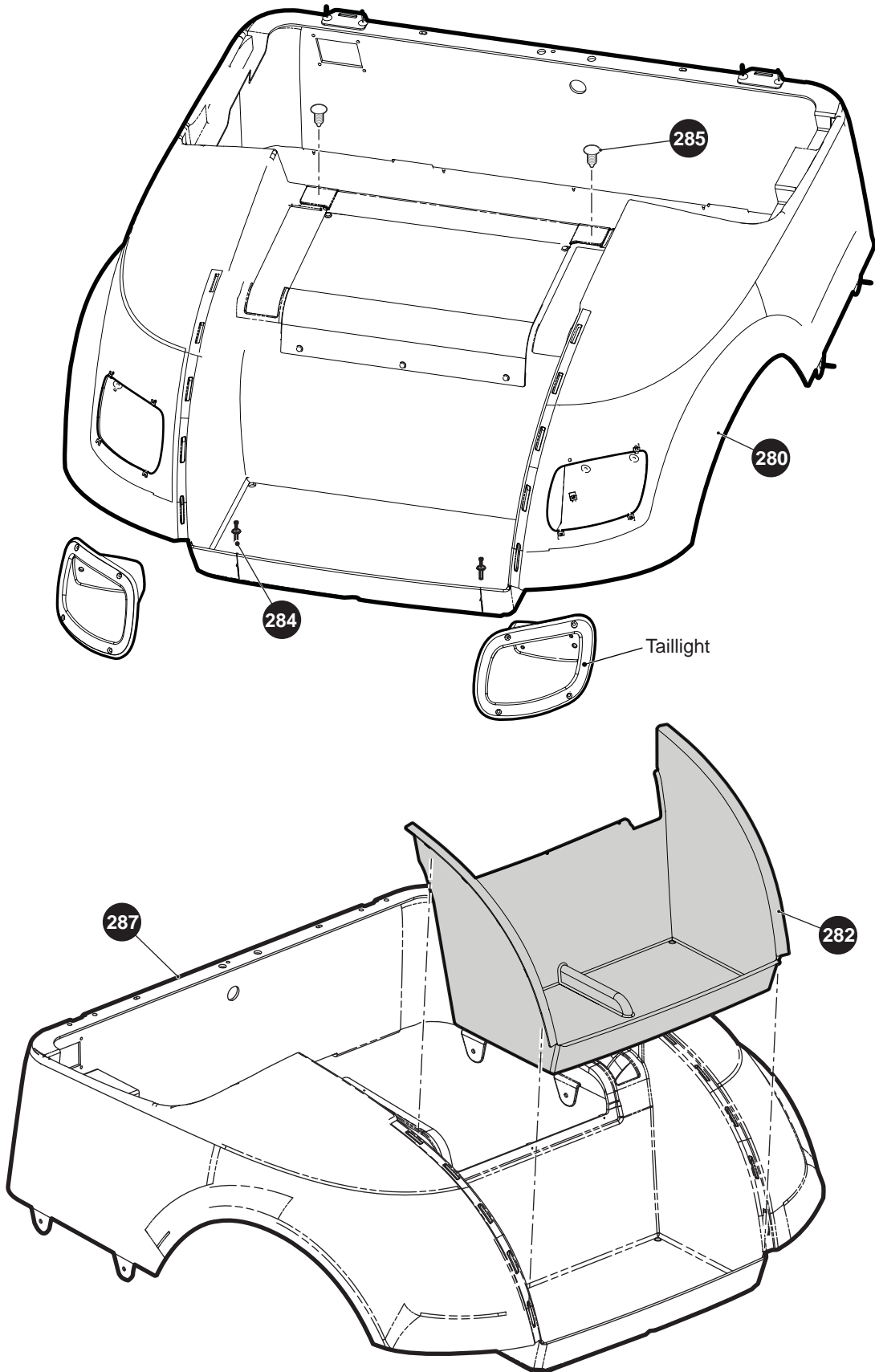
* Indicates a component that is not available as an individual part.

*** Indicates consult Customer Service Department for additional information.

ITEM	PART NO.	1 2 3 4 5	DESCRIPTION	QTY.
249	605694		SEAT FRAME	1
250	619144		CUSHMAN LABEL (SHUTTLE 2)	1
251	70200G01		TORX TRUSS HEAD SCREW, 3/8" - 16 X 3/4" LG	2
252	602037G01		SIDE PANEL (DRIVER SIDE)	1
253	602029G02		SIDE PANEL (PASSENGER SIDE)	1
254	10570G11		RIVET (SS), 3/16" X 3/4"	4
255	71609G01		SEAT HINGE	2
256	600034G01		SEAT WRAP PANEL	1
257	10570G10		RIVET (SS), 5/32" X 9/16"	5
258	10570G10		RIVET (SS), 5/32" X 9/16"	2
259	10570G10		RIVET (SS), 5/32" X 9/16"	4
260	10570G12		RIVET, 1/4" X 9/16"	2
261	16469G01		FENDER WASHER, 1/4"	4
262	609588		SEAT FRAME WELDMENT	1
263	00438G8		HEX HEAD BOLT, 5/16" - 18 X 1" LG	2
264	00559G8		FLAT WASHER, 5/16"	2
265	11098G6		LOCK NUT, 5/16" - 18	2
266	00715G2		HEX HEAD BOLT, 5/16" - 18 X 13/16" LG	4
267	70200G01		TORX TRUSS SCREW, 3/8" - 16 X 3/4" LG	2
268	624486		SEAT BACK BRACKET	2
269	00427G8		HEX HEAD BOLT, 3/8" - 16 X 1" LG	4
270	00560G1		LOCK WASHER, 3/8"	4
271	11098G5		LOCK NUT, 3/8" - 16	4
272	70441G01		SEAT FRAME	1
273	70046G02		BATTERY RACK WELDMENT	1
274	00715G2		HEX HEAD BOLT, 5/16" - 18 X 13/16" LG	4
275	00438G8		HEX HEAD BOLT, 5/16" - 18 X 1" LG	2
276	00559G8		FLAT WASHER, 5/16"	2
277	11098G6		LOCK NUT, 5/16" - 18	2
278	00715G2		HEX HEAD BOLT, 5/16" - 18 X 13/16" LG	2
279	11098G6		LOCK NUT, 5/16" - 18	2

BODY

VEHICLES MANUFACTURED FROM MARCH 2014



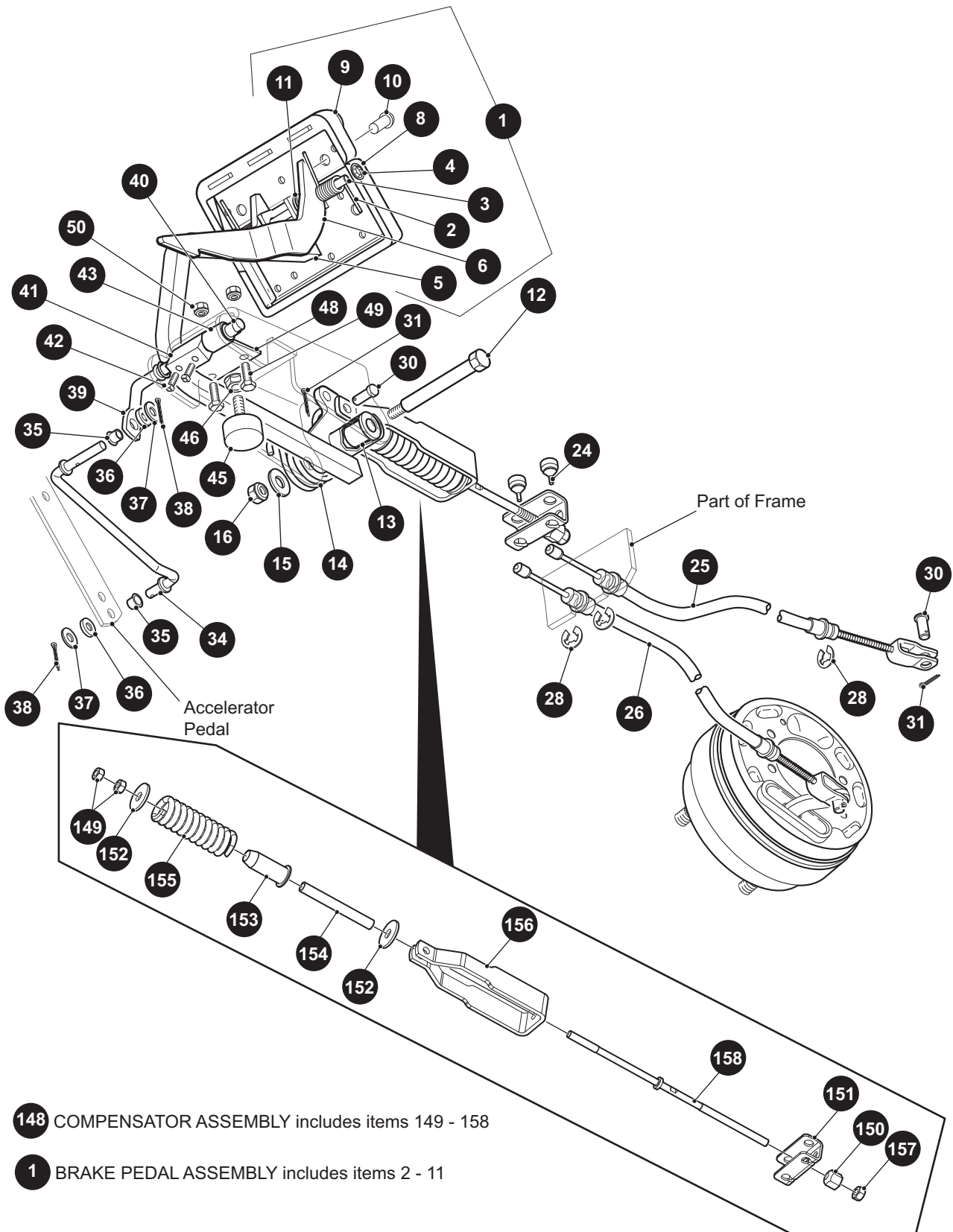
When ordering parts, please specify the model and serial number of the product.

* Indicates a component that is not available as an individual part.

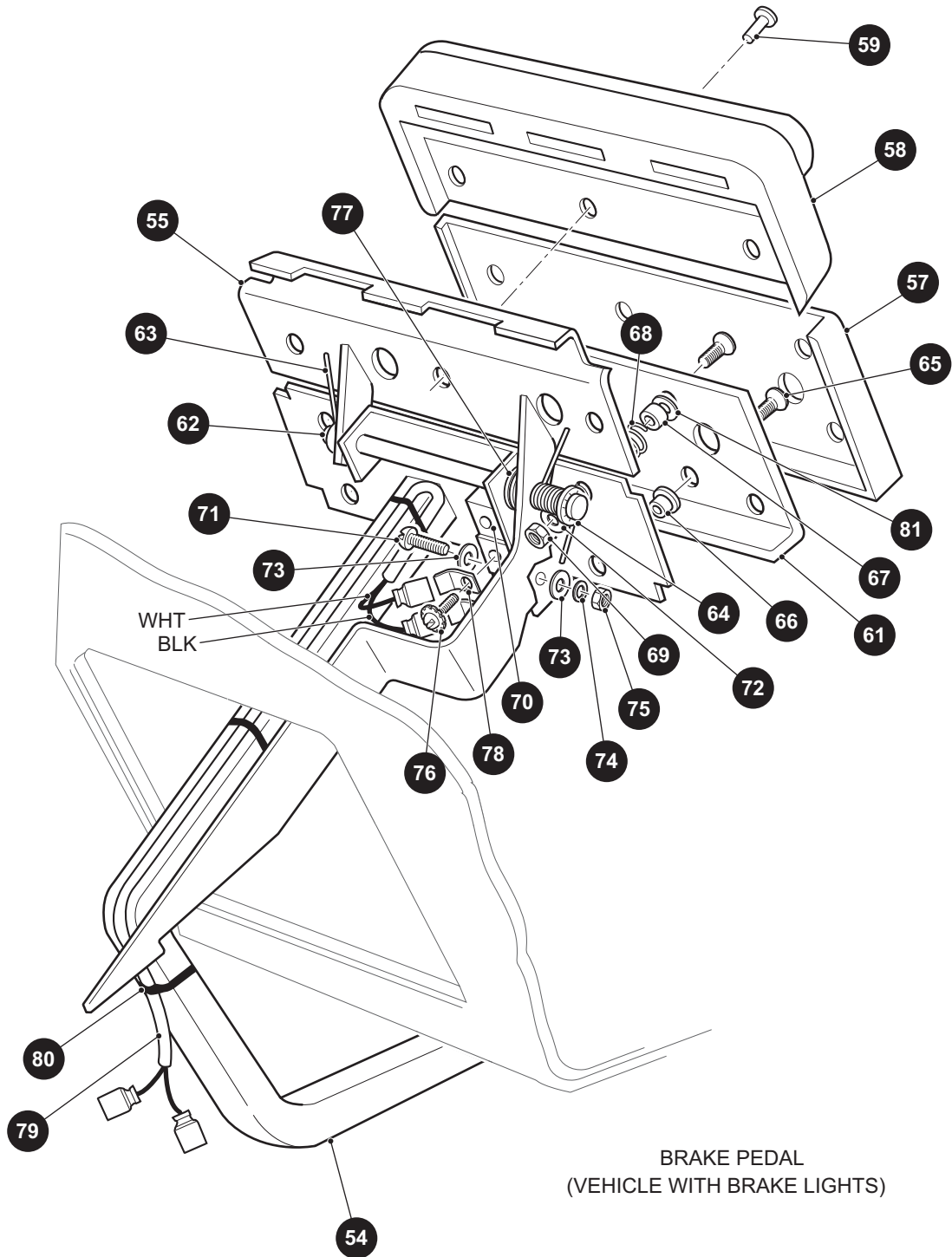
*** Indicates consult Customer Service Department for additional information.

ITEM	PART NO.	1 2 3 4 5	DESCRIPTION	QTY.
280	625272G0XX		REAR BODY W/LIGHTS (See COLOR CODE IN HOW TO USE SECTION) (FOR VEHICLES MANUFACTURED FROM MARCH 2014).....	1
281				
282	624374		BAGWELL LINER (FOR VEHICLES MANUFACTURED FROM MARCH 2014).....	1
283				
284	633917		RIVET (FOR VEHICLES MANUFACTURED FROM MARCH 2014).....	2
285	16816G2		RATCHET RIVET, .25" X .887" (FOR VEHICLES MANUFACTURED FROM MARCH 2014).....	2
286				
287	619752G0XX		REAR BODY W/O LIGHTS(See COLOR CODE IN HOW TO USE SECTION) (FOR VEHICLES MANUFACTURED FROM MARCH 2014).....	1

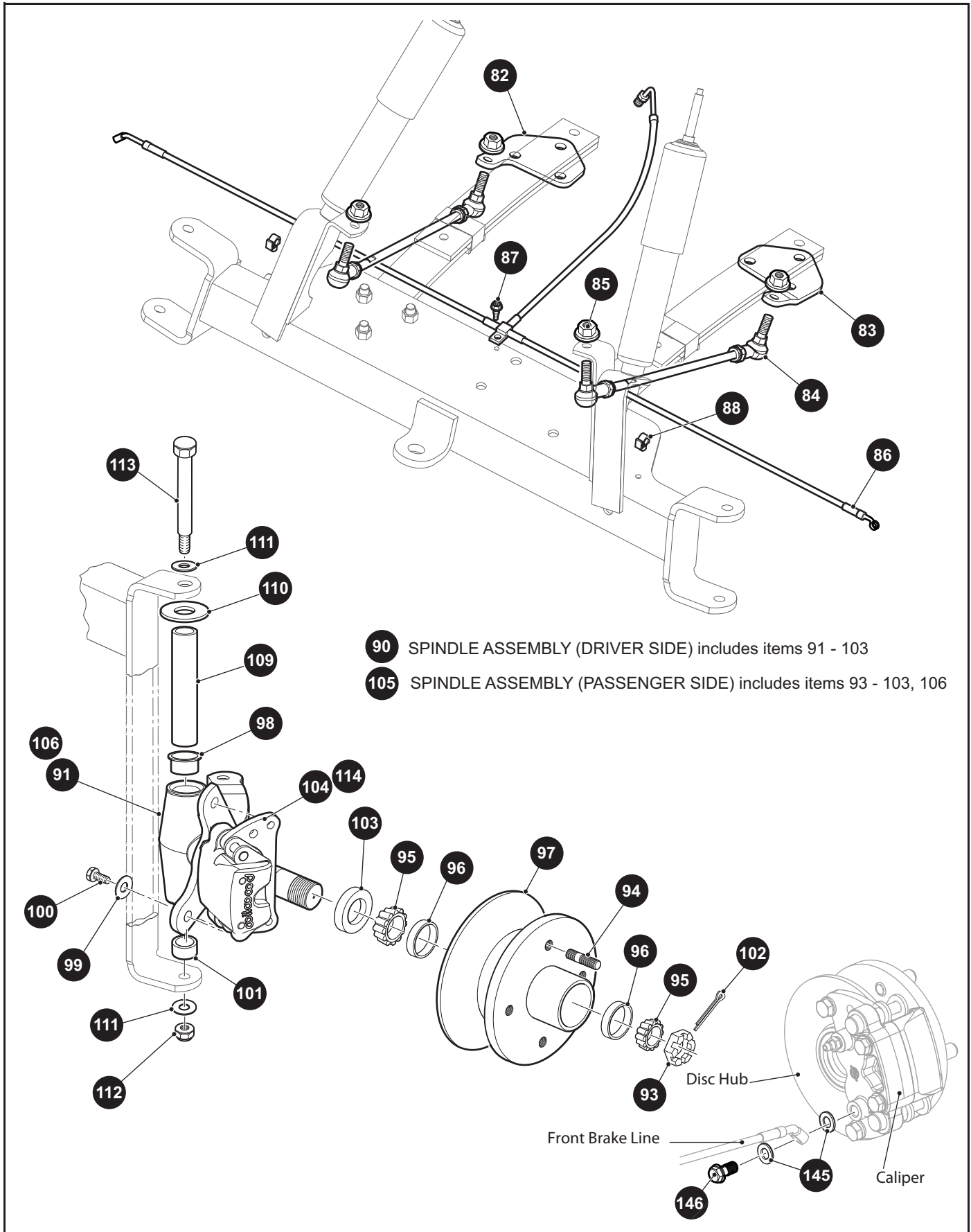
BRAKES - FRONT DISC



53 BRAKE PEDAL ASSEMBLY (WITH BRAKE LIGHTS) includes items 54 - 81



BRAKES - FRONT DISC



BRAKES - FRONT DISC

When ordering parts, please specify the model and serial number of the product.

* Indicates a component that is not available as an individual part.

*** Indicates consult Customer Service Department for additional information.

ITEM	PART NO.	1 2 3 4 5	DESCRIPTION	QTY.
1	74723G01		BRAKE PEDAL ASSEMBLY (WITHOUT BRAKE LIGHTS) (INCLUDES ITEMS 2 - 11)	1
2	70681G01		TORSION SPRING	2
3	70682G01		PIVOT PIN	1
4	01071G01		PUSHNUT, 5/16"	2
5	74721G01		BRAKE PEDAL	1
6	607395		PARK BRAKE PEDAL.....	1
7				
8	70257G01		BRAKE PAD.....	1
9	70256G01		PARK BRAKE PEDAL PAD	1
10	16409G1		OVAL RIVET, 3/16" X 15/32" LG.....	9
11	20835G1		TEFLON WASHER, 3/8"	2
12	70582G01		SHOULDER BOLT, 3/8" - 16 X 4" LG	1
13	70581G01		FLANGED BUSHING	2
14	70676G01		TORSION SPRING	1
15	00643G1		LOCK WASHER, 3/8"	1
16	11098G5		LOCK NUT, 3/8" - 16	1
17				
18	12416G2		NYLON WEDGE LOCK CLAMP (NOT ILLUSTRATED)	6
19				
20				
21				
22				
23				
24	28083G01		BRAKE COMPENSATOR BUMPER	2
25	624695		BRAKE CABLE (DRIVER SIDE), 65.06" LG	1
26	624696		BRAKE CABLE (PASSENGER SIDE), 74.81" LG.....	1
27				
28	01111G01		RETAINING RING (SS)	4
29				
30	10386G3		CLEVIS PIN, 5/16" X 1"	4
31	10387G3		COTTER PIN, 3/32" X 3/4"	3

BRAKES - FRONT DISC

When ordering parts, please specify the model and serial number of the product.

* Indicates a component that is not available as an individual part.

*** Indicates consult Customer Service Department for additional information.

ITEM	PART NO.	1 2 3 4 5	DESCRIPTION	QTY.
32				
33				
34	70601G01		KICK-OFF LINK	1
35	17838G1		NYLON BUSHING	2
36	20835G1		TEFLON WASHER, 3/8"	2
37	00559G8		FLAT WASHER, 5/16"	2
38	10387G3		COTTER PIN, 3/32" X 3/4"	2
39	70098G01		KICK-OFF CAM PIVOT.....	1
40	10097G6		FLANGED BEARING	2
41	70587G01		KICK-OFF CAM	1
42	71215G01		SETSCREW WITH PATCH LOCK, 1/4" - 20 X 1/2" LG	2
43	14134G4		SPACER, 1.25"	1
44				
45	70113G01		ADJUSTABLE BUMPER.....	1
46	11027G1		LOCK NUT, 5/16" - 18.....	1
47				
48	70080G02		CATCH BRACKET	1
49	00414G6		HEX HEAD BOLT, 1/4" - 20 X 1/2" LG	2
50	14390G4		LOCK NUT, 1/4" - 20.....	2
51				
52				
53	74874G01		BRAKE PEDAL ASSEMBLY (WITH BRAKE LIGHTS) (INCLUDES ITEMS 54 - 81)	1
54	74870G01		BRAKE PEDAL.....	1
55	607395		PARK BRAKE PEDAL	1
56				
57	70257G01		BRAKE PAD	1
58	70256G01		PARK BRAKE PAD.....	1
59	16409G1		OVAL RIVET, 3/16" X 15/32" LG	9
60	18659G1		LOCTITE (262) (NOT ILLUSTRATED).....	A/R
61	70258G03		BRAKE PEDAL PLATE	1

BRAKES - FRONT DISC

When ordering parts, please specify the model and serial number of the product.

* Indicates a component that is not available as an individual part.

*** Indicates consult Customer Service Department for additional information.

ITEM	PART NO.	1	2	3	4	5	DESCRIPTION	QTY.
62	70682G01						PARKING BRAKE PEDAL PIN	1
63	70681G01						TORSION SPRING	2
64	01071G01						PUSHNUT, 5/16"	2
65	00737G8						PHILLIPS FLAT HEAD MACHINE SCREW, #10 - 24 X 1" LG	4
66	00739G1						RUBBER NUT, #10 - 24	2
67	74535G01						BRAKE PEDAL STANDOFF	2
68	27137G01						CONICAL SPRING	2
69	14390G10						LOCK NUT, #10 - 24	2
70	10606G8						LIMIT SWITCH (3 POLE).....	1
71	00645G2						PHILLIPS PAN HEAD MACHINE SCREW, #6 - 32 X 1 1/4" LG.....	2
72	00559G5						FLAT WASHER, #10	2
73	00559G3						FLAT WASHER, #6	4
74	00565G3						LOCK WASHER, #6.....	2
75	00525G5						HEX NUT, #6 - 32.....	2
76	13514G1						PHILLIPS PAN HEAD MACHINE SCREW, #6 - 32 X 7/32" LG.....	2
77	20835G1						TEFLON WASHER, 3/8"	2
78	14628G1						FASTON TAB	2
79	24605G1						WIRE HARNESS (BRAKE LIGHT)	1
80	17618G1						WIRE TIE	3
81	00642G8						FLAT WASHER, #4	2
82	74731G02						SPRING PLATE (PASSENGER SIDE).....	1
83	74731G01						SPRING PLATE (DRIVER SIDE)	1
84	74730G01						FOUR LINK ROD	2
85	606279						HEX NUT, M10 - 1.25	4
86	630766						BRAKE LINE	1
87	01038G01						SWAGEFORM SCREW, 1/4" - 20 X 1/2" LG.....	1
88	74875G01						WIRE RETAINER	2
89								
90	602281						SPINDLE, CALIPER AND DISC HUB ASSEMBLY (DRIVER SIDE) (INCLUDES ITEMS 91 - 103).....	1
91	602176						DISC BRAKE SPINDLE (DRIVER SIDE).....	1
92								

BRAKES - FRONT DISC

When ordering parts, please specify the model and serial number of the product.

* Indicates a component that is not available as an individual part.

*** Indicates consult Customer Service Department for additional information.

ITEM	PART NO.	1 2 3 4 5	DESCRIPTION	QTY.
93	12093G1		SLOTTED NUT, 1" - 14.....	1
94	74864G01		DRIVE FLANGE STUD, 1.5"	4
95	11750G2		ROLLER BEARING	2
96	51141G1		BEARING RACE	2
97	630672		DISC BRAKE HUB	1
98	70648G01		FLANGED BEARING	1
99	00566G1		LOCK WASHER, 3/8"	2
100	00426G8		HEX HEAD BOLT, 3/8" - 16 X 1" LG.....	2
101	70749G01		BEARING	1
102	00798G8		COTTER PIN, 5/32" X 1 3/4"	1
103	25146G1		GREASE SEAL	1
104	633918G02		CALIPER (DRIVER SIDE)	1
105	602288		SPINDLE, CALIPER AND DISC HUB ASSEMBLY (PASSENGER SIDE) (INCLUDES ITEMS 93 - 103, 106)	1
106	602158		DISC BRAKE SPINDLE (PASSENGER SIDE).....	1
107				
108				
109	70745G01		KINGPIN TUBE.....	2
110	70754G01		THRUST WASHER (SS), 0.995" I.D X 1.38" O.D.....	2
111	00560G3		FLAT WASHER, 1/2"	4
112	14390G6		LOCK NUT, 1/2" - 13.....	2
113	00407G6		HEX HEAD SHOULDER BOLT, 1/2" - 13 X 6" LG	2
114	633918G01		CALIPER (PASSENGER SIDE).....	1
115	608706		FRONT DISC BRAKE ACTUATOR ASSEMBLY (INCLUDES ITEMS 116 - 130).....	1
116	10387G3		COTTER PIN, 3/32" X 3/4"	1
117				
118	10386G3		CLEVIS PIN, 5/16" X 1"	1
119	608122		UPPER ACTUATOR PIVOT	1
120	70581G02		ACETAL BUSHING.....	4
121	74711G01		ACTUATOR PIVOT BOLT, 3/4" - 16 X 4 3/4" LG.....	1
122				

BRAKES - FRONT DISC

When ordering parts, please specify the model and serial number of the product.

* Indicates a component that is not available as an individual part.

*** Indicates consult Customer Service Department for additional information.

ITEM	PART NO.	1	2	3	4	5	DESCRIPTION	QTY.
123	00439G1						HEX HEAD BOLT, 1/2" - 13 X 6" LG	2
124								
125	11098G6						LOCK NUT, 5/16" - 18	2
126	887364						MASTER CYLINDER	1
127	612706						MASTER CYLINDER BRACKET	1
128	11098G5						LOCK NUT, 3/8" - 16	1
129	00679G1						LOCK WASHER (SS), 3/8"	2
130	608118						LOWER ACTUATOR PIVOT	1
131								
132	612704						ACTUATOR ASSEMBLY COVER	1
133	01038G01						SWAGEFORM SCREW, 1/4" - 20 X 1/2" LG	3
134								
135	00414G6						HEX HEAD BOLT, 1/4" - 20 X 1/2" LG	2
136	14390G4						LOCK NUT, 1/4" - 20	2
137								
138	10387G3						COTTER PIN, 3/32" X 3/4"	2
139								
140	17838G1						NYLON BUSHING	2
141	608943						ACTUATOR LINKAGE	1
142	00771G5						FLAT WASHER, 3/8" (NOT ILLUSTRATED)	1
143	21504G1						BRAKE FLUID (NOT ILLUSTRATED)	A/R
144								
145	613293						CRUSH WASHER, M10	4
146	616459						BANJO BOLT, M10 - 1" X 20" LG	2
147								
148	612558						COMPENSATOR ASSEMBLY (INCLUDES ITEMS 149 - 158)	1
149	00532G4						HEX NUT, 1/4" - 20	2
150	629486						HEX NUT, 5/16" - 24	1
151	28082G01						EQUALIZER BRACKET	1
152	15121G1						FLAT WASHER, 5/16"	2
153	17979G1						ACCELERATOR ROD BUSHING	1

BRAKES - FRONT DISC

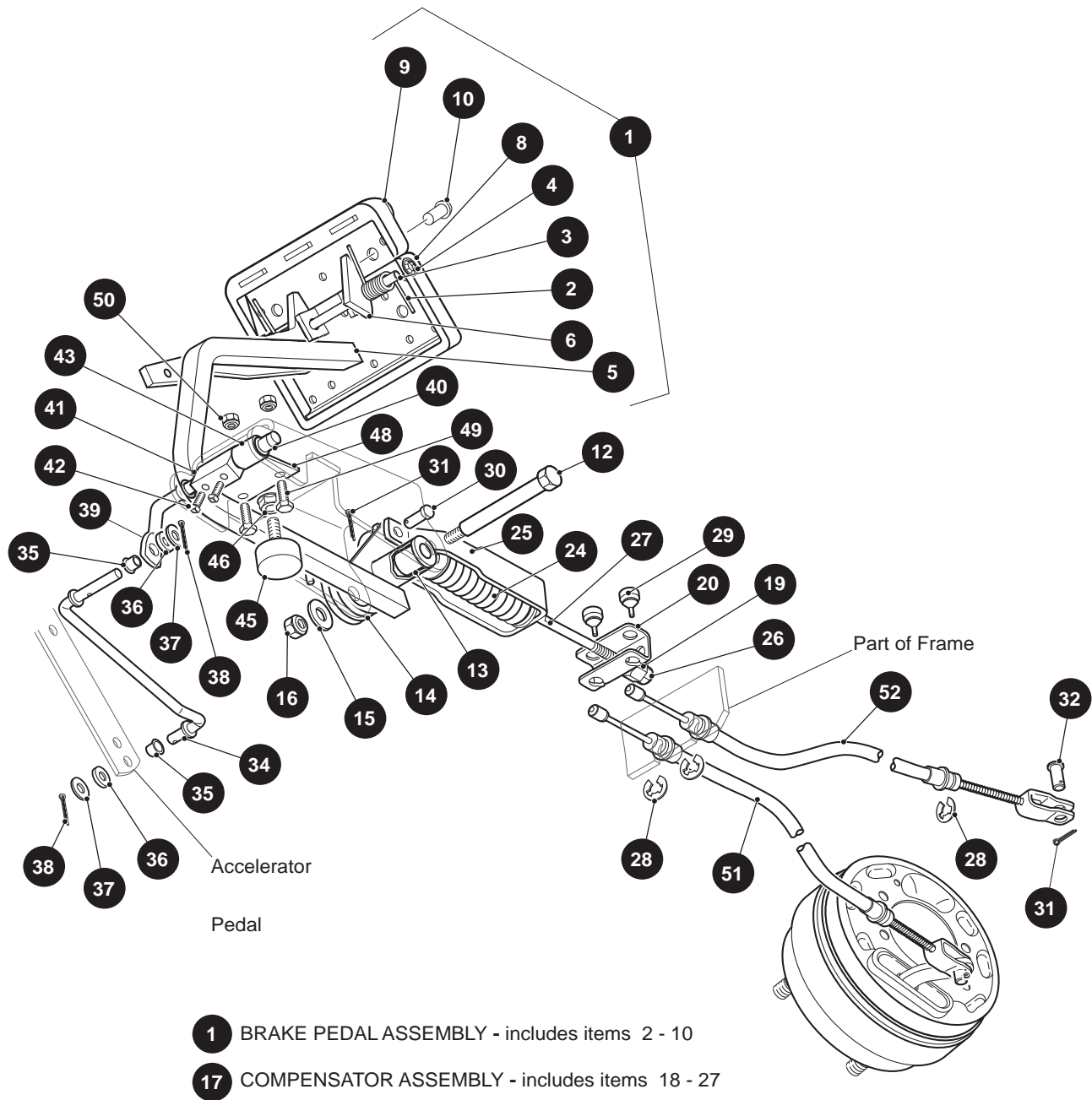
When ordering parts, please specify the model and serial number of the product.

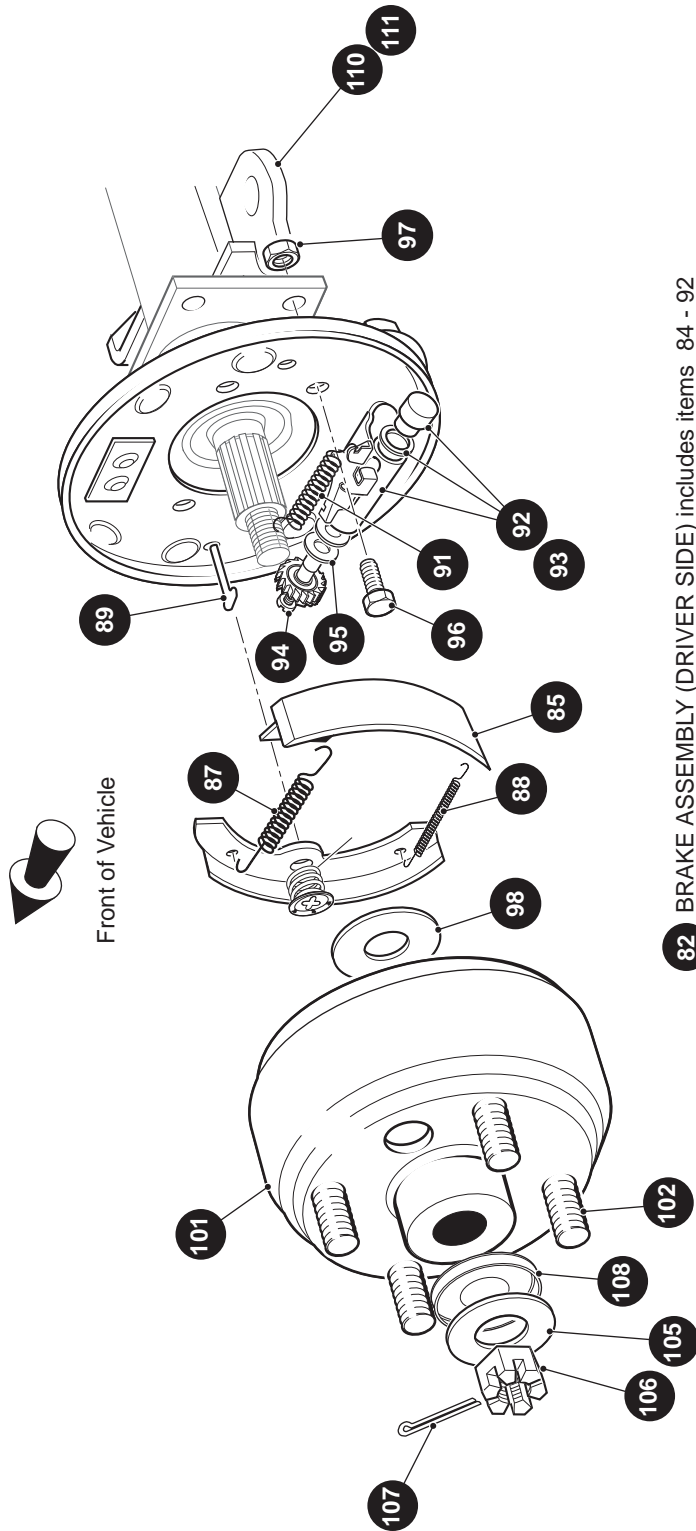
* Indicates a component that is not available as an individual part.

*** Indicates consult Customer Service Department for additional information.

ITEM	PART NO.	1 2 3 4 5	DESCRIPTION	QTY.
154	23061G2		TUBE	1
155	23463G1		COMPRESSION SPRING	1
156	27330G01		BRAKE YOKE	1
157	11098G9		LOCK NUT, 5/16" - 24	1
158	612557		COMPENSATOR LINK ROD	1

BRAKES - MECHANICAL





82 BRAKE ASSEMBLY (DRIVER SIDE) includes items 84 - 92

83 BRAKE ASSEMBLY (PASSENGER SIDE) includes items 84 - 93

84 BRAKE SHOE KIT includes item 85

86 BRAKE SPRING KIT includes items 87 - 91

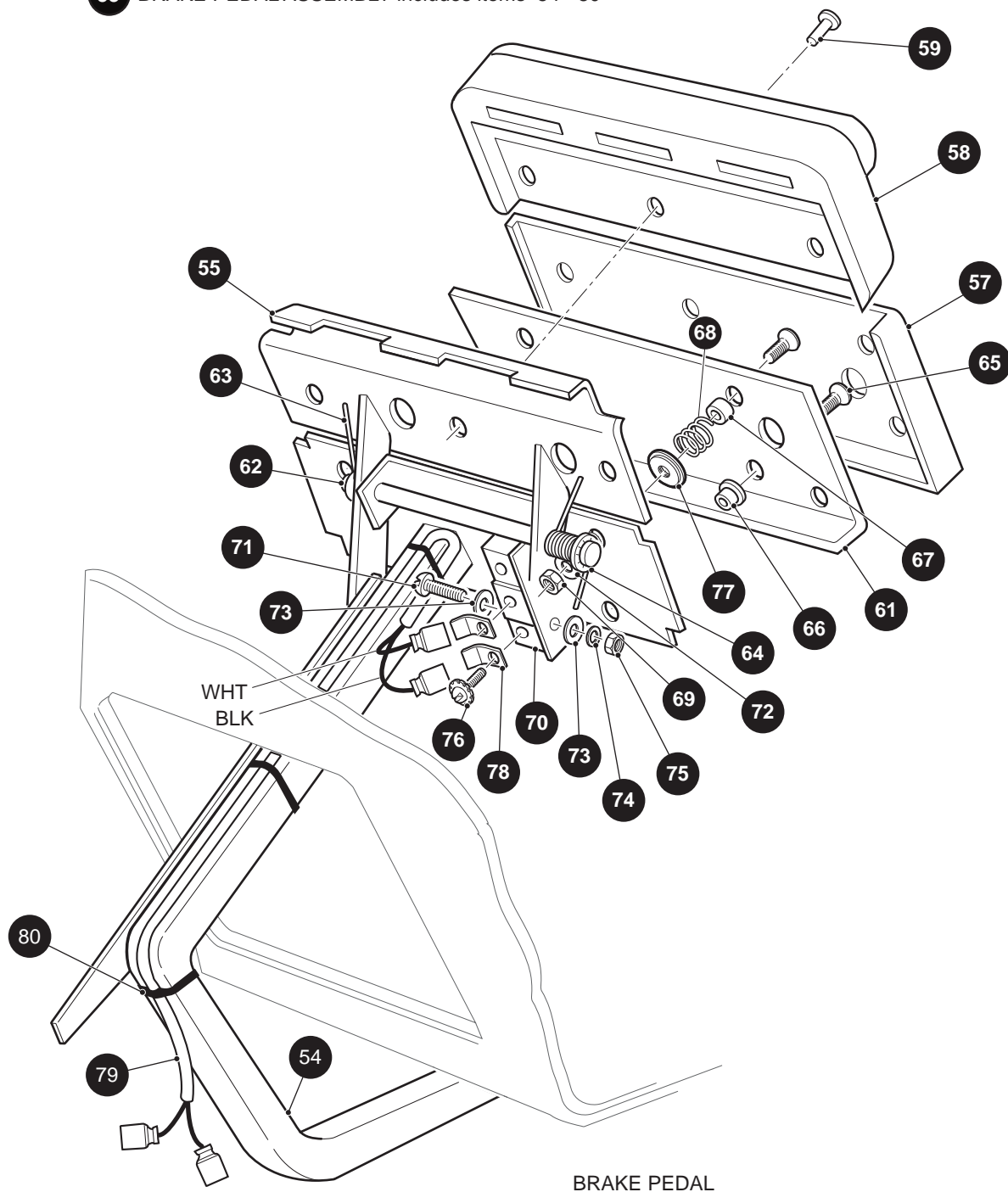
92 BRAKE ADJUSTER KIT (DRIVER SIDE) includes items 94 - 95

93 BRAKE ADJUSTER KIT (PASSENGER SIDE) includes items 94 - 95

100 BRAKE DRUM ASSEMBLY includes items 101 - 102

BRAKES - MECHANICAL

53 BRAKE PEDAL ASSEMBLY includes items 54 - 80



BRAKE PEDAL

(VEHICLE WITH BRAKE LIGHTS)

BRAKES - MECHANICAL

When ordering parts, please specify the model and serial number of the product.

* Indicates a component that is not available as an individual part.

*** Indicates consult Customer Service Department for additional information.

ITEM	PART NO.	1 2 3 4 5	DESCRIPTION	QTY.
1	70612G02		BRAKE PEDAL ASSEMBLY (WITHOUT BRAKE LIGHTS) (INCLUDES ITEMS 2 - 10)	1
2	70681G01		TORSION SPRING.....	2
3	70682G01		PIVOT PIN.....	1
4	01071G01		PUSHNUT, 5/16"	1
5	70259G02		BRAKE PEDAL.....	1
6	70611G02		PARK BRAKE PEDAL	1
7				
8	70257G01		SERVICE BRAKE PAD.....	1
9	70256G01		PARK BRAKE PEDAL PAD	1
10	16409G1		OVAL RIVET, 3/16" X 3/8" LG	9
11	12416G2		NYLON WIRE TIE.....	6
12	70582G01		SHOULDER BOLT, 3/8 - 16 X 4" LG.....	1
13	70581G01		FLANGED BUSHING.....	2
14	70676G01		TORSION SPRING	1
15	00643G1		LOCK WASHER, 3/8"	1
16	11098G5		LOCK NUT, 3/8 - 16	1
17	612558		COMPENSATOR ASSEMBLY (INCLUDES ITEMS 18 - 27)	1
18	00532G4		HEX NUT 5/16 - 24.....	2
19	629486		HEX SPHERICAL NUT 5/16 - 24	1
20	28082G01		EQUALIZER BRACKET	1
21	15121G1		FLAT WASHER 3/8"	2
22	17979G1		ACCELERATOR ROD BUSHING.....	1
23	23061G2		TUBE	1
24	23463G1		COMPRESSION SPRING	1
25	27330G01		BRAKE YOKE	1
26	11098G9		HEX LOCK NUT 5/16 - 24.....	1
27	612557		COMPENSATOR LINK ROD.....	1
28	01111G01		RETAINING RING, S.S.	4
29	28083G01		BRAKE COMPENSATOR BUMPER.....	2
30	10386G3		CLEVIS PIN, 5/16" X 1" LG.....	3

BRAKES - MECHANICAL

When ordering parts, please specify the model and serial number of the product.

* Indicates a component that is not available as an individual part.

*** Indicates consult Customer Service Department for additional information.

ITEM	PART NO.	1 2 3 4 5	DESCRIPTION	QTY.
31	10387G3		COTTER PIN, 3/32" X 3/4" LG	3
32	14443G2		CLEVIS PIN, 5/16" X 3/4" LG	2
33				
34	70601G01		KICK-OFF LINK.....	1
35	17838G1		NYLON BUSHING.....	2
36	20835G1		TEFLON WASHER, 3/8"	2
37	00559G8		FLAT WASHER, 5/16"	2
38	10387G3		COTTER PIN, 3/32" X 3/4" LG	7
39	70098G01		KICK-OFF CAM PIVOT	1
40	10097G6		FLANGED BEARING	2
41	70587G01		KICK-OFF CAM.....	1
42	71215G01		SETSCREW, 1/4 - 20 X 1/2" LG.....	2
43	14134G4		SPACER	1
44				
45	70113G01		ADJUSTABLE BUMPER	1
46	11027G1		LOCK NUT, 5/16 - 18.....	1
47				
48	70080G02		CATCH BRACKET	1
49	00414G6		BOLT, 1/4 - 20 X 3/4" LG	2
50	14390G4		LOCK NUT, 1/4 - 20.....	2
51	624696		BRAKE CABLE (PASSENGER SIDE).....	1
52	624695		BRAKE CABLE (DRIVER SIDE)	1
53	70690G02		BRAKE PEDAL ASSEMBLY (WITH BRAKE LIGHTS) (INCLUDES ITEMS 54 - 80).....	1
54	70686G02		BRAKE PEDAL	1
55	70611G02		PARK BRAKE PEDAL.....	1
56				
57	70257G01		SERVICE BRAKE PAD	1
58	70256G01		PARK BRAKE PAD	1
59	16409G1		OVAL RIVET, 3/16" x 3/8" LG	9
60				
61	70258G03		BRAKE PEDAL PLATE	1

BRAKES - MECHANICAL

When ordering parts, please specify the model and serial number of the product.

* Indicates a component that is not available as an individual part.

*** Indicates consult Customer Service Department for additional information.

ITEM	PART NO.	1 2 3 4 5	DESCRIPTION	QTY.
62	70682G01		PIVOT PIN.....	1
63	70681G01		TORSION SPRING.....	2
64	01071G01		PUSHNUT, 5/16"	1
65	00737G8		SCREW, #10 - 24 X 1" LG.....	4
66	00739G1		RUBBER NUT, #10 - 24	2
67	74535G01		BRAKE PEDAL STANDOFF.....	2
68	27137G01		CONICAL SPRING.....	2
69	14390G10		LOCK NUT, #10 - 24.....	2
70	10606G8		MICRO SWITCH	1
71	00645-G2		SCREW, #6 - 32 X 1 1/4" LG.....	2
72	00559G5		FLAT WASHER, #10	2
73	00559G3		FLAT WASHER, #6	4
74	00565G3		LOCK WASHER, #6	2
75	00525G5		NUT, #6 - 32	2
76	13514G1		SCREW AND LOCK WASHER, #6 - 32 X 7/32.....	2
77	00642-G8		FLAT WASHER, 5/16"	2
78	14628G1		FASTON TAB.....	2
79	24605G1		WIRE HARNESS (BRAKE LIGHT).....	1
80				
81				
82	70998G01		BRAKE ASSEMBLY (DRIVER SIDE) (INCLUDES ITEMS 84 - 92).....	1
83	70998G02		BRAKE ASSEMBLY (PASSENGER SIDE) (INCLUDES ITEMS 84 - 91, 93) .	1
84	70794G01		BRAKE SHOE KIT (INCLUDES ITEM 85)	2
85	*		BRAKE SHOE.....	2
86	27944G01		BRAKE SPRING KIT (INCLUDES ITEMS 87 - 91)	2
87	*		UPPER SPRING	1
88	*		LOWER SPRING	1
89	*		PIN	2
90	*		CUP AND SPRING	2
91	*		ADJUSTER SPRING	1
92	72582G01		BRAKE ADJUSTER KIT (DRIVER SIDE) (INCLUDES ITEMS 94, 95)....	1

BRAKES - MECHANICAL

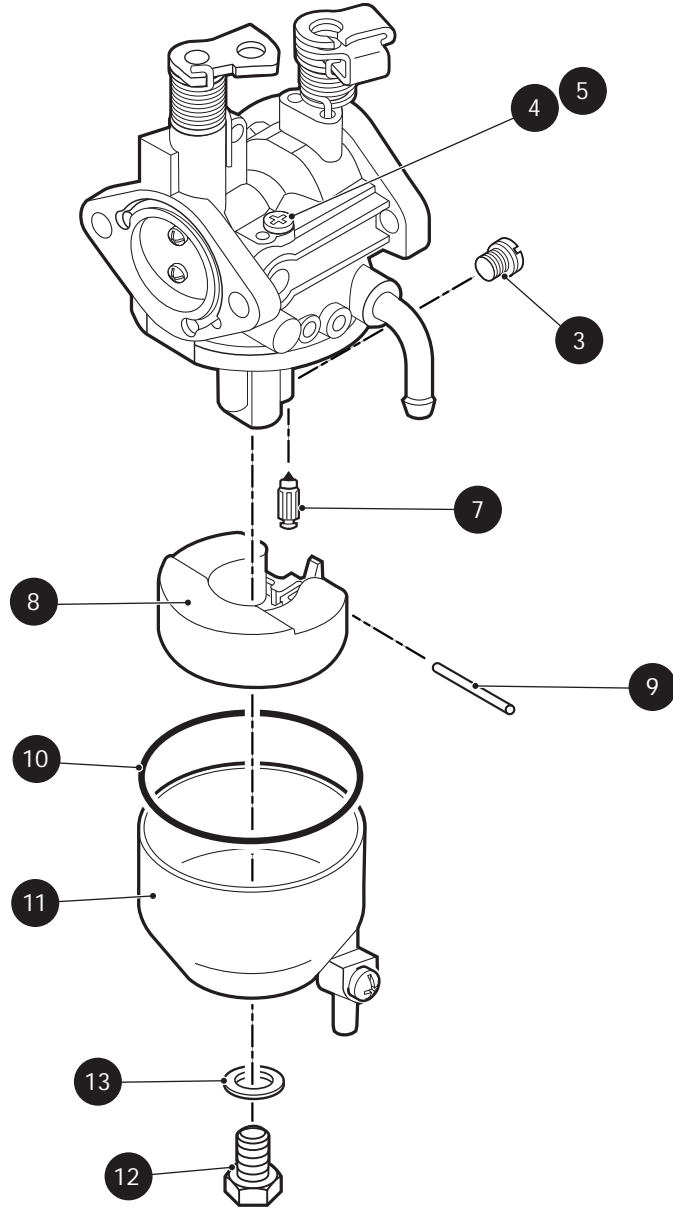
When ordering parts, please specify the model and serial number of the product.

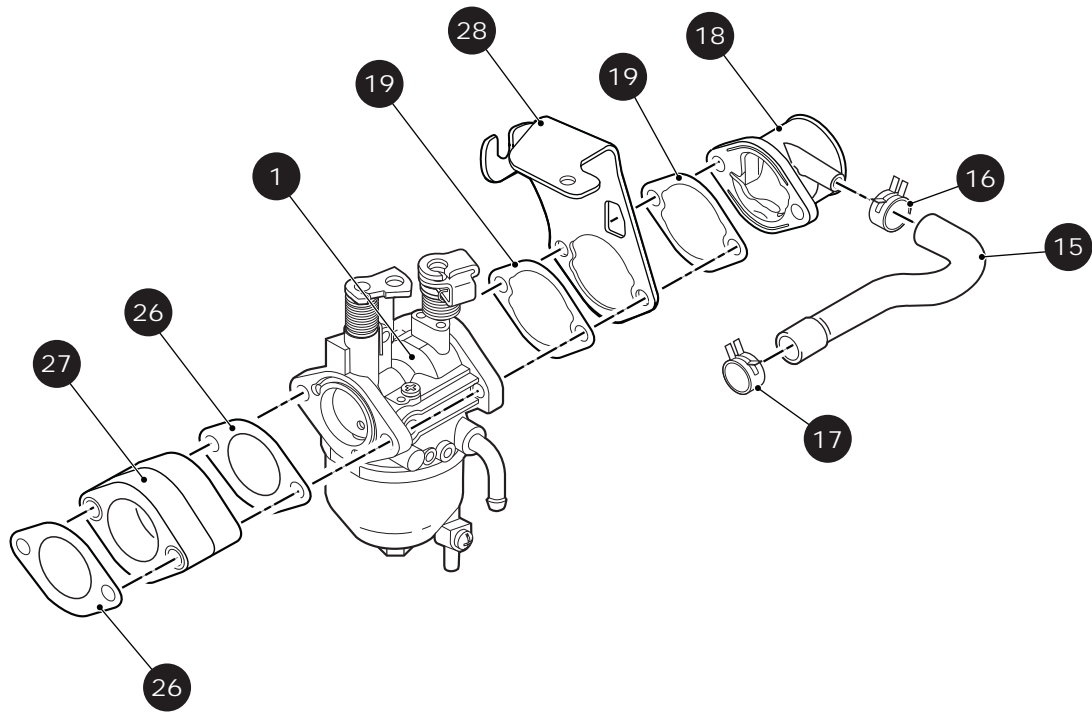
* Indicates a component that is not available as an individual part.

*** Indicates consult Customer Service Department for additional information.

ITEM	PART NO.	1	2	3	4	5	DESCRIPTION	QTY.
93	72582G02						BRAKE ADJUSTER KIT (PASSENGER SIDE) (INCLUDES ITEMS 94, 95).....	1
94	*						ADJUSTER.....	1
95	*						TEFLON WASHER.....	2
96	17083G2						BOLT, 5/16 - 24 X 1" LG	8
97	15126G1						LOCK NUT, 5/16 - 24.....	8
98	21809G1						INNER BRAKE DRUM WASHER, 1 5/16" OD X 1" ID X 1/32"	2
99								
100	21807G2						BRAKE DRUM ASSEMBLY (INCLUDES ITEMS 101 - 102).....	2
101	*						BRAKE DRUM	1
102	19862G1						LUG BOLT, 1/2 - 20.....	4
103								
104								
105	606945						OUTER BRAKE DRUM WASHER	2
106	606403						SLOTTED NUT, 3/4 - 16.....	2
107	10387G1						COTTER PIN, 1/8" X 1 1/2" LG	2
108	607033						SPINDLE CAP.....	2
109								
110	608200						BRAKE CABLE BRACKET (PASSENGER SIDE).....	1
111	608201						BRAKE CABLE BRACKET (DRIVER SIDE)	1

CARBURETOR





CARBURETOR

When ordering parts, please specify the model and serial number of the product.

* Indicates a component that is not available as an individual part.

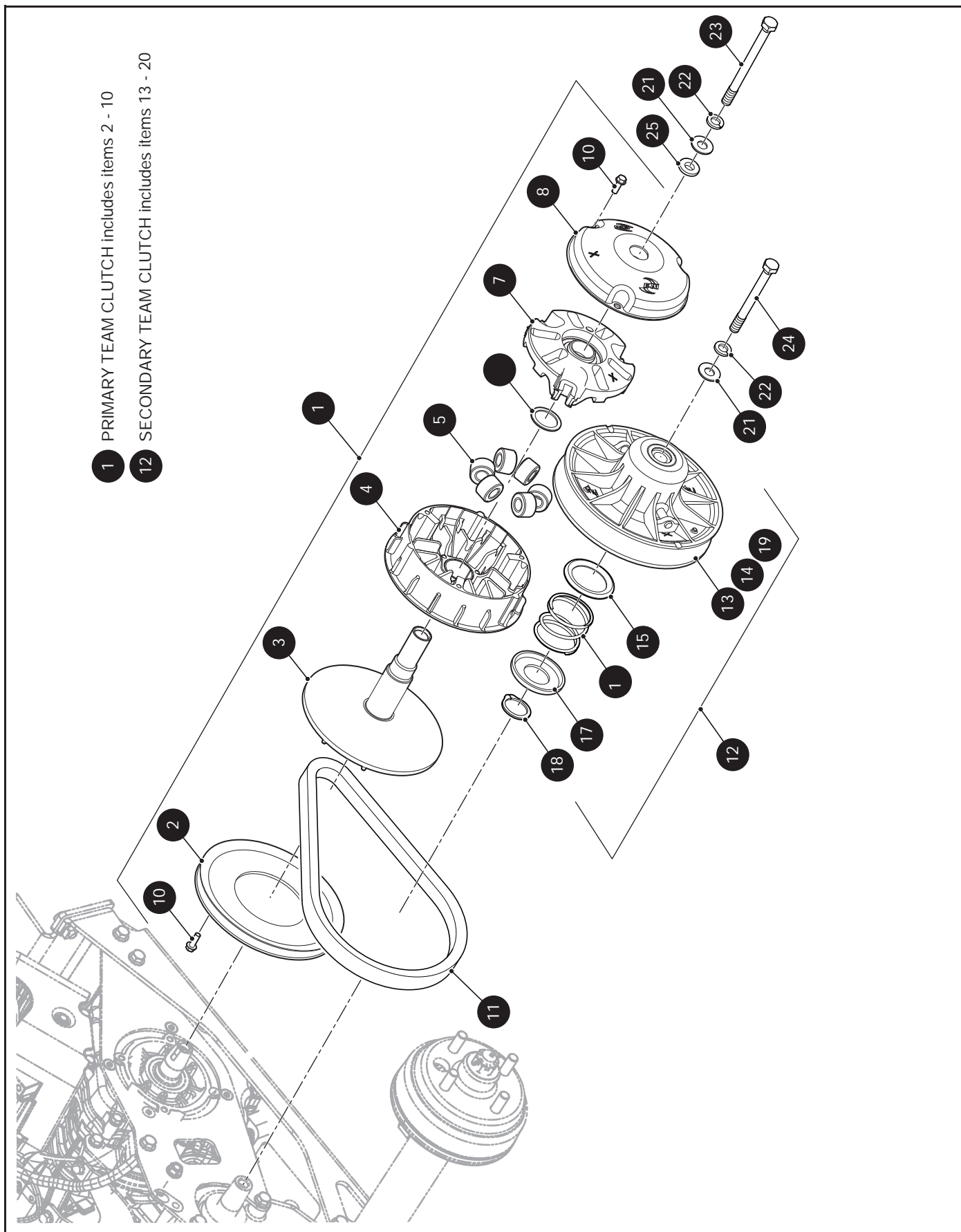
*** Indicates consult Customer Service Department for additional information.

ITEM	PART NO.	1	2	3	4	5	DESCRIPTION	QTY.
1	607954						CARBURETOR (INCLUDES ITEMS 3 - 21).....	1
2								
3	607683						MAIN JET (#104)	1
4	608021						PILOT JET (#44)	1
5	603585						PLUG	1
6								
7	603586						NEEDLE VALVE.....	1
8	603587						FLOAT.....	1
9	603588						FLOAT PIN.....	1
10	603589						FLOAT BOWL GASKET.....	1
11	603590						FLOAT CHAMBER.....	1
12	603592						BOWL SCREW	1
13	603591						BOWL GASKET	1
14								
15	603598						BREATHER TUBE	1
16	603596						CLAMP, INTAKE TUBE.....	1
17	603597						CLAMP CYLINDER HEAD TUBE	1
18	603594						INTAKE TUBE.....	1
19	603593						CHOKE GASKET.....	2
20	603595						NUT, M6 X 1.0.....	2
21	608023						THROTTLE ROD ATTACHMENT BUSHING.....	1
22								
23	607684						MAIN JET (#102) (FOR ELEVATIONS OF 6000 FT - 10000 FT).....	1
24	607683						MAIN JET (#104) (FOR ELEVATIONS OF 3000 FT - 6000 FT).....	1
25								
26	603580						CARBURETOR MOUNT GASKET.....	2
27	603581						CARBURETOR INSULATOR	1

Notes:



CLUTCH



When ordering parts, please specify the model and serial number of the product.

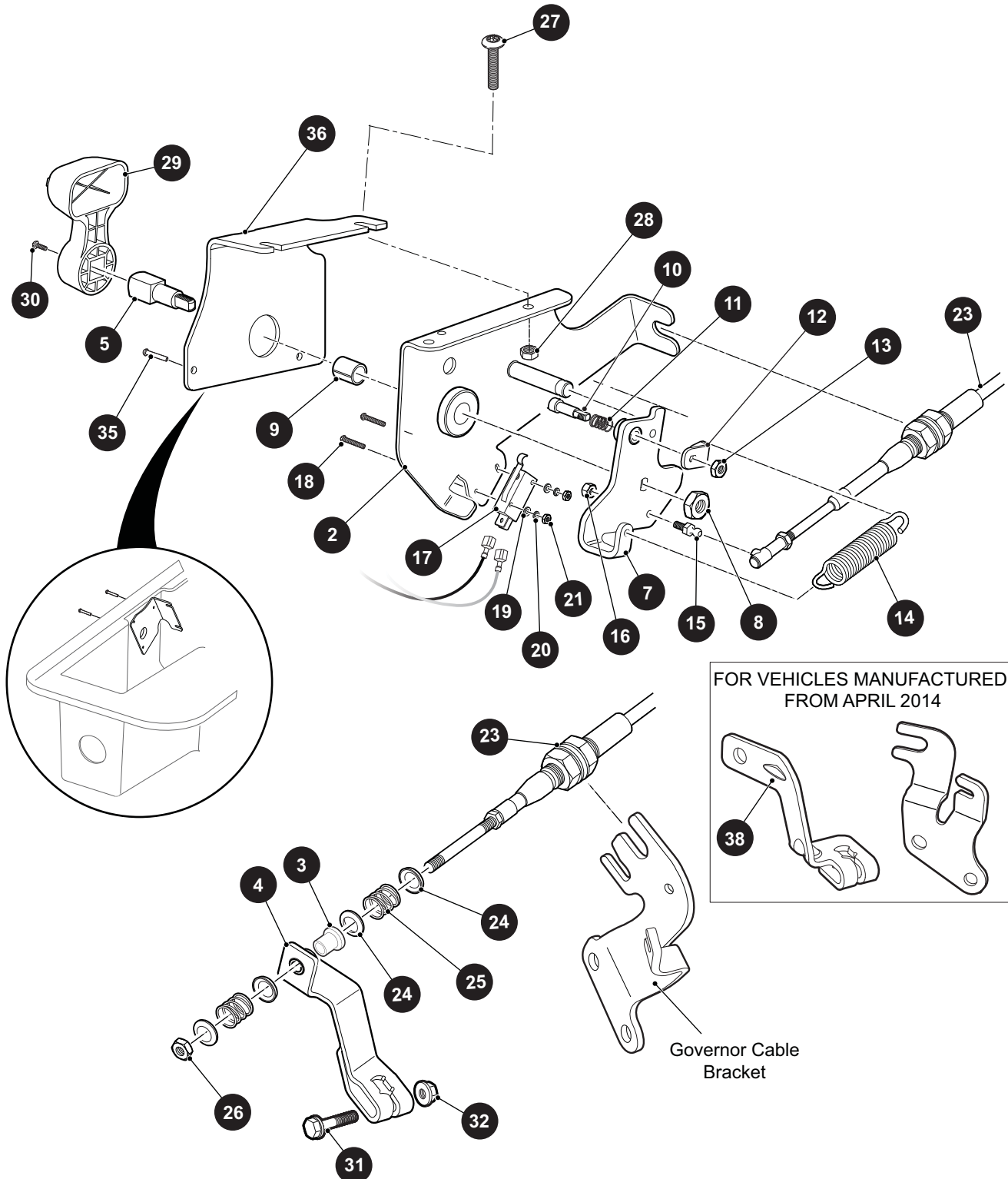
* Indicates a component that is not available as an individual part.

*** Indicates consult Customer Service Department for additional information.

ITEM	PART NO.	1 2 3 4 5	DESCRIPTION	QTY.
1	623948		PRIMARY TEAM CLUTCH (INCLUDES ITEMS 2 - 10)	1
2	619333		PRIMARY STARTER PULLY, 195 - SVC.....	1
3	619334		STATIONARY ASSEMBLY	1
4	619335		MOVEABLE PRIMARY ASSEMBLY	1
5	624112		SHIFT ROLLER ASSEMBLY.....	6
6	619337		SHIM, 39.5 X 31.75	1
7	619338		PRIMARY SPIDER ASSEMBLY	1
8	619339		PRIMARY DUST COVER ASSEMBLY.....	1
9				
10	619332		BOLT, 1/4 - 20 X.75	7
11	618630		DRIVE BELT	1
12	623949		SECONDARY TEAM CLUTCH (INCLUDES ITEMS 13 - 20)	1
13	*		SECONDARY STATIONARY, 9.5	1
14	*		MOVEABLE SECONDARY, 9.5.....	1
15	619327		INNER RETAINER SPRING.....	1
16	624111		COMPRESSION SPRING, 2.70 OD.....	1
17	619329		OUTER SPRING RETAINER	1
18	619330		RETAINER RING.....	1
19	619331		THRUST WASHER, 1.530 x 1.830 x 1	1
20			
21	606239		CONICAL WASHER, M12	2
22	00566G3		SPRING TYPE LOCK WASHER	2
23	606245		HEX BOLT, M12 - 1.25 X 160	1
24	606243		HEX BOLT, M12 - 1.25 X 120	1
25	606230		CLUTCH WASHER.....	1
26				

DIRECTION SELECTOR

1 DIRECTION SELECTOR ASSEMBLY includes items 2 - 26



DIRECTION SELECTOR

When ordering parts, please specify the model and serial number of the product.

* Indicates a component that is not available as an individual part.

*** Indicates consult Customer Service Department for additional information.

ITEM	PART NO.	1 2 3 4 5	DESCRIPTION	QTY.
1	606170		DIRECTION SELECTOR ASSEMBLY (INCLUDES ITEMS 2 - 26)	1
2	606077		DIRECTION SELECTOR BRACKET.....	1
3	22754G4		FLIP LOK BUSHING, .25".....	1
4	606014		FNR BRACKET	1
5	70233G01		DIRECTION SELECTOR SHAFT.....	1
6				
7	603700		DIRECTION SELECTOR CAM.....	1
8	14390G1		LOCK NUT, 3/8" - 24	1
9	25664G2		BUSHING, 1/2" X .75" LG.....	1
10	72724G01		NEUTRAL LOCK PIN	1
11	72733G01		COMPRESSION SPRING, 3/8" X 5/8" LG	1
12	72729G01		NEUTRAL LOCK BRACKET	1
13	00734G2		LOCK NUT, 1/4" - 28	1
14	28574G01		EXTENSION SPRING	1
15	72732G01		BALL STUD, 1/4".....	1
16	00734G5		LOCK NUT, #10 - 32.....	1
17	72736G01		MICRO SWITCH	1
18	01062G01		SLOTTED MACHINED SCREW, #4 - 40 X 1" LG	2
19	00559G1		LOCK WASHER, 5/8"	2
20	00565G1		LOCK WASHER, 3/4"	2
21	00526G2		HEX NUT, #4 - 40	2
22				
23	605809		PUSH/PULL SHIFTER CABLE	1
24	25727G01		CUP WASHER, 1/4"	4
25	72735G01		COMPRESSION SPRING, 19/32" X 1" LG	2
26	00734G5		LOCK NUT, #10 - 32.....	1
27	70227G01		SOCKET HEAD SCREW, 1/4" - 20 X 7/8" LG	2
28	11027G2		LOCK NUT, 1/4" - 20	2
29	71205G01		DIRECTION SELECTOR HANDLE	1
30	00740G4		TRUSS HEAD PHILLIPS SCREW (SS), #10 - 32 X 1/2" LG	1

DIRECTION SELECTOR

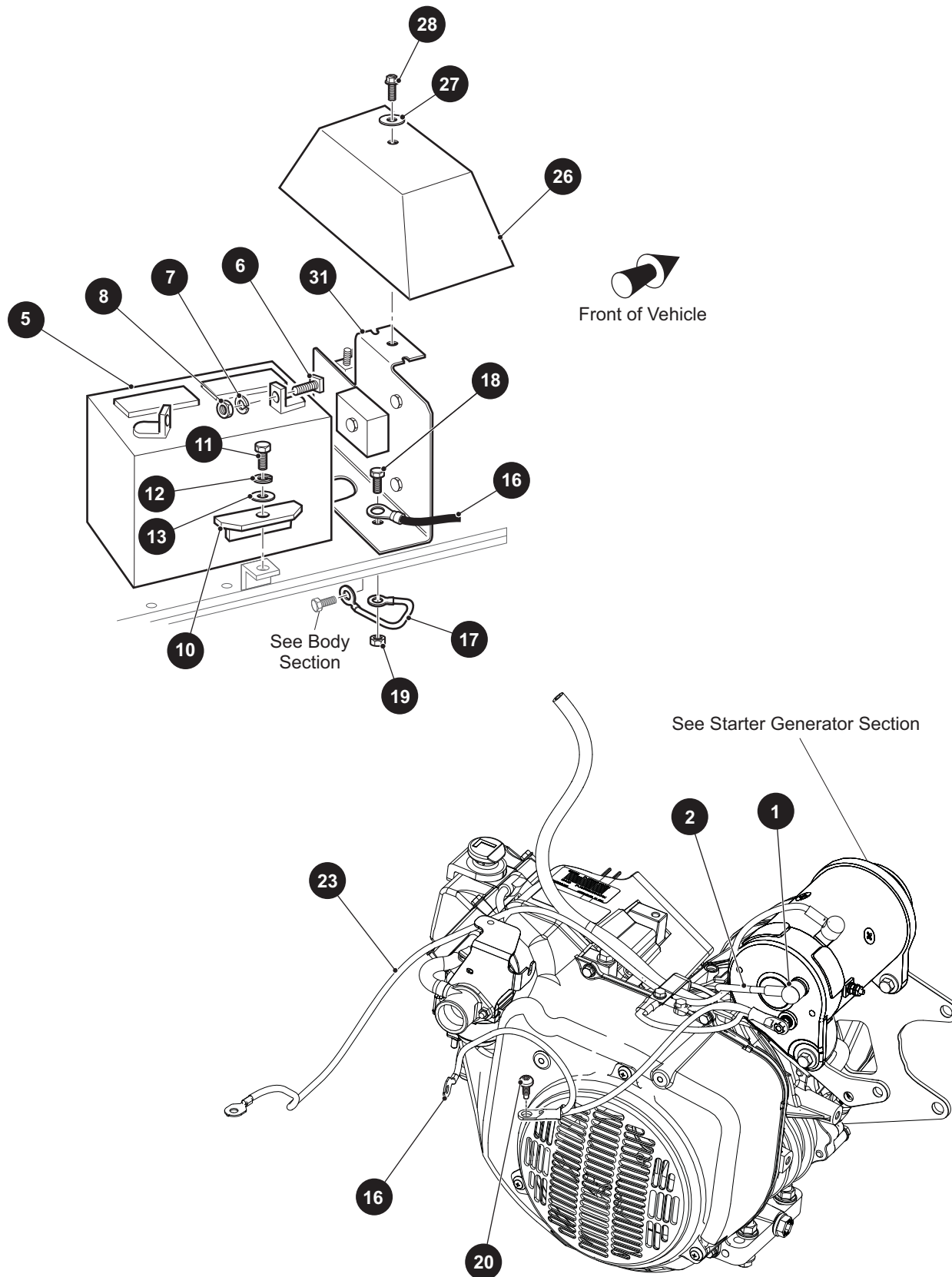
When ordering parts, please specify the model and serial number of the product.

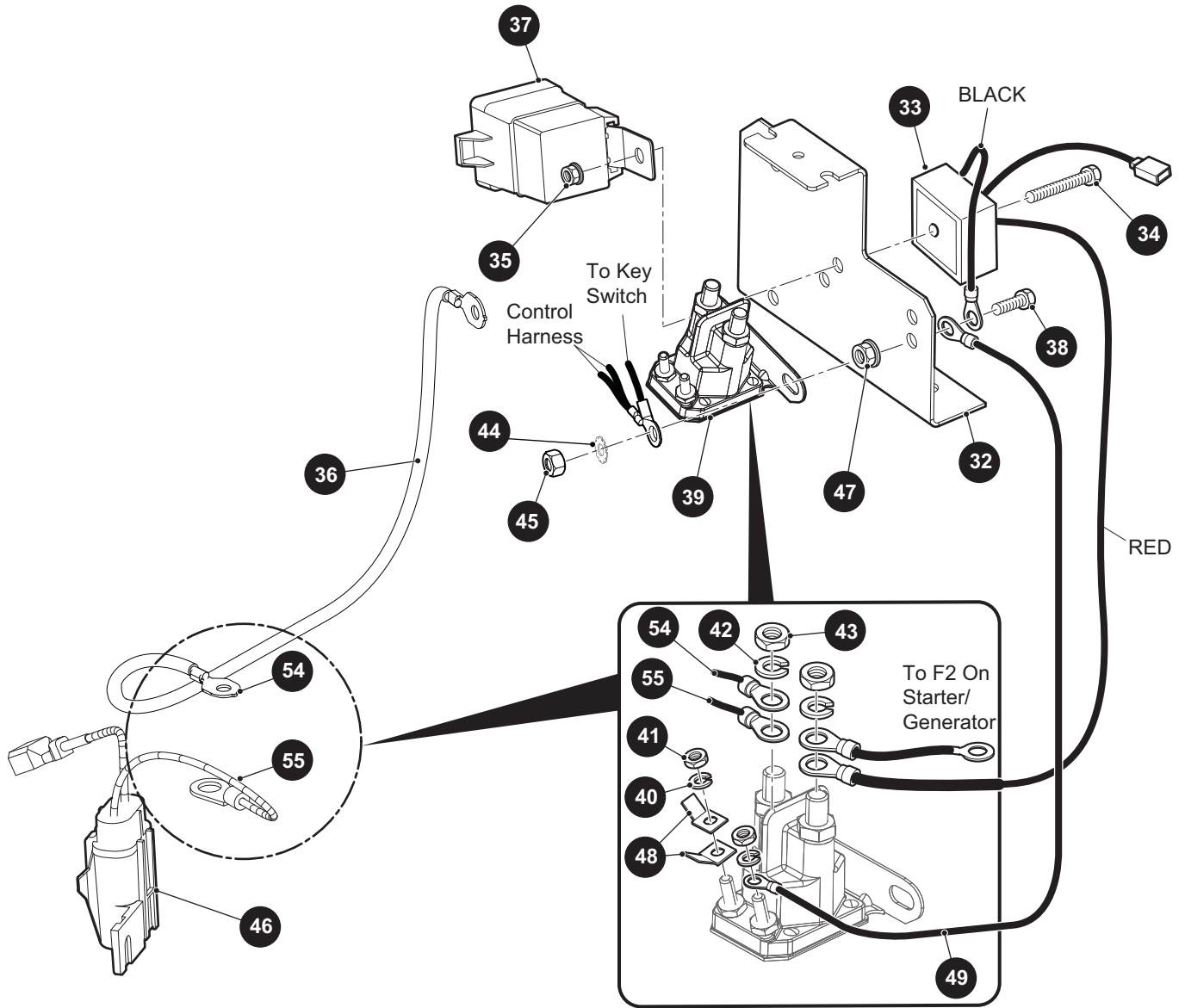
* Indicates a component that is not available as an individual part.

*** Indicates consult Customer Service Department for additional information.

ITEM	PART NO.	1 2 3 4 5	DESCRIPTION	QTY.
31	606421		FLANGED HEX HEAD BOLT, M6 - 1 X 30MM LG	1
32	450452		HEX NUT, M6 - 1	1
33				
34				
35	71055G01		RIVET 3/16" X .38" GRIP	3
36	605869		MOUNTING BRACKET	1
37				
38	632891		DIRECTION SELECTOR PIVOT BRACKET (FOR VEHICLES MANUFACTURED FROM APRIL 2014)	1

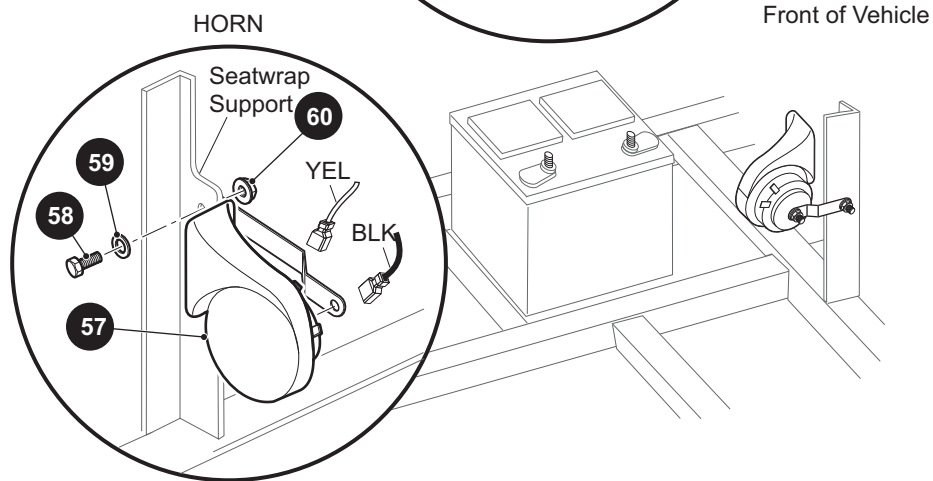
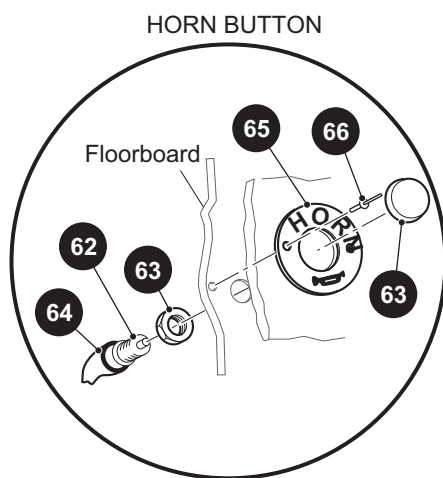
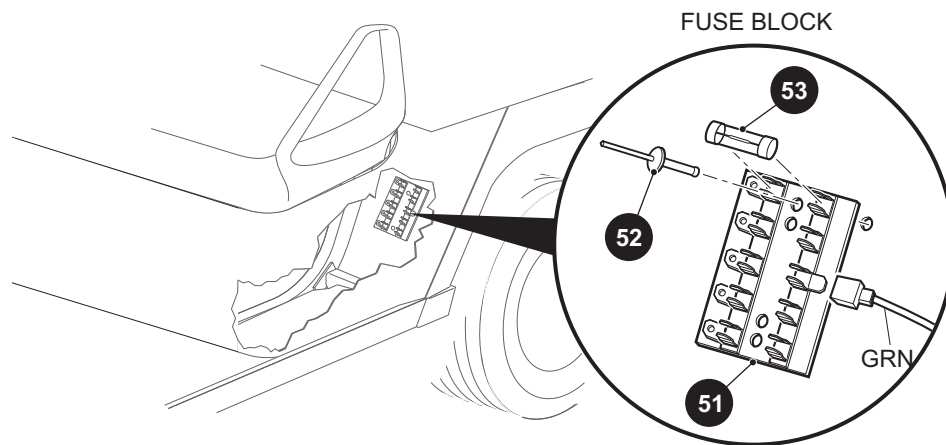
ELECTRICAL SYSTEM

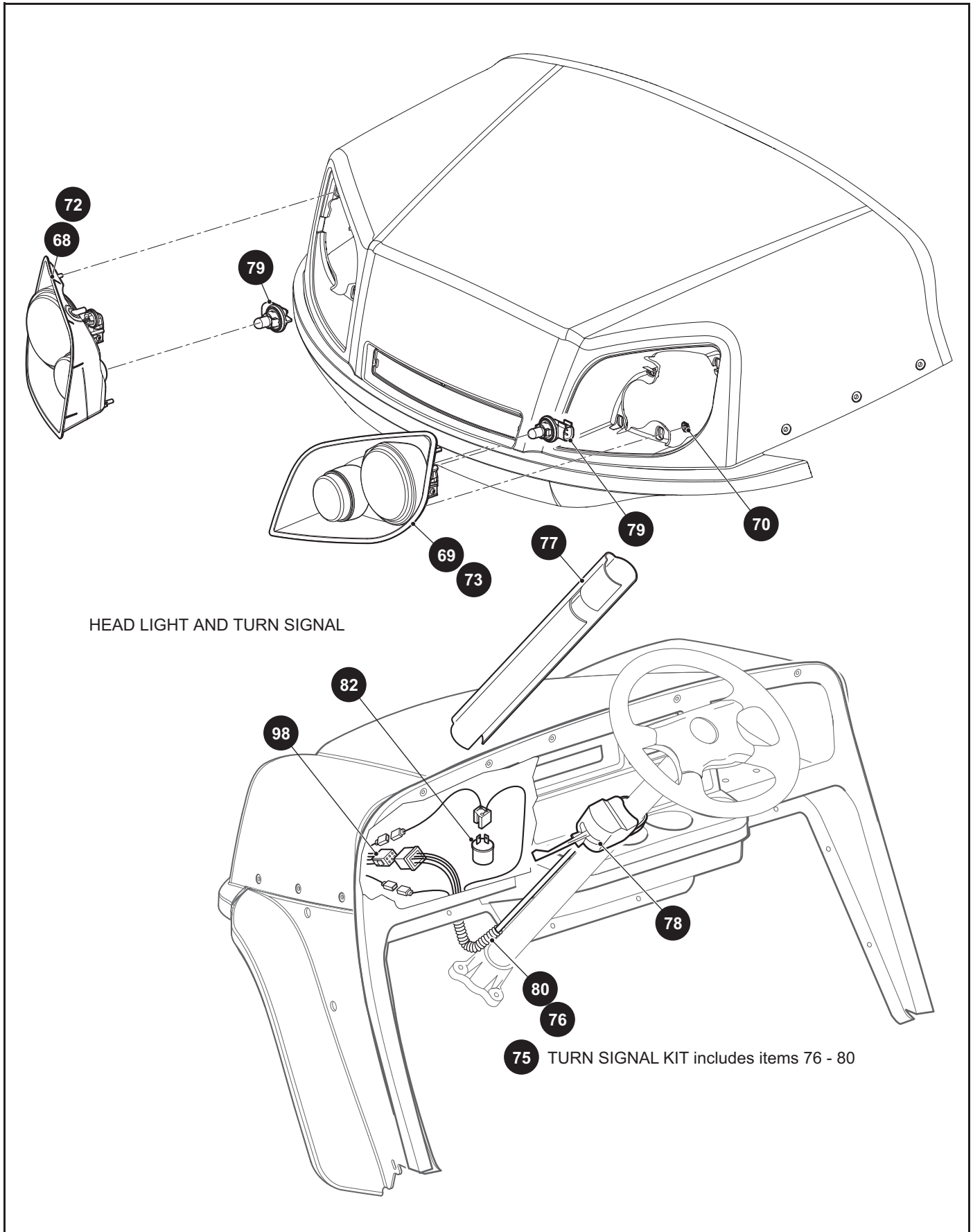




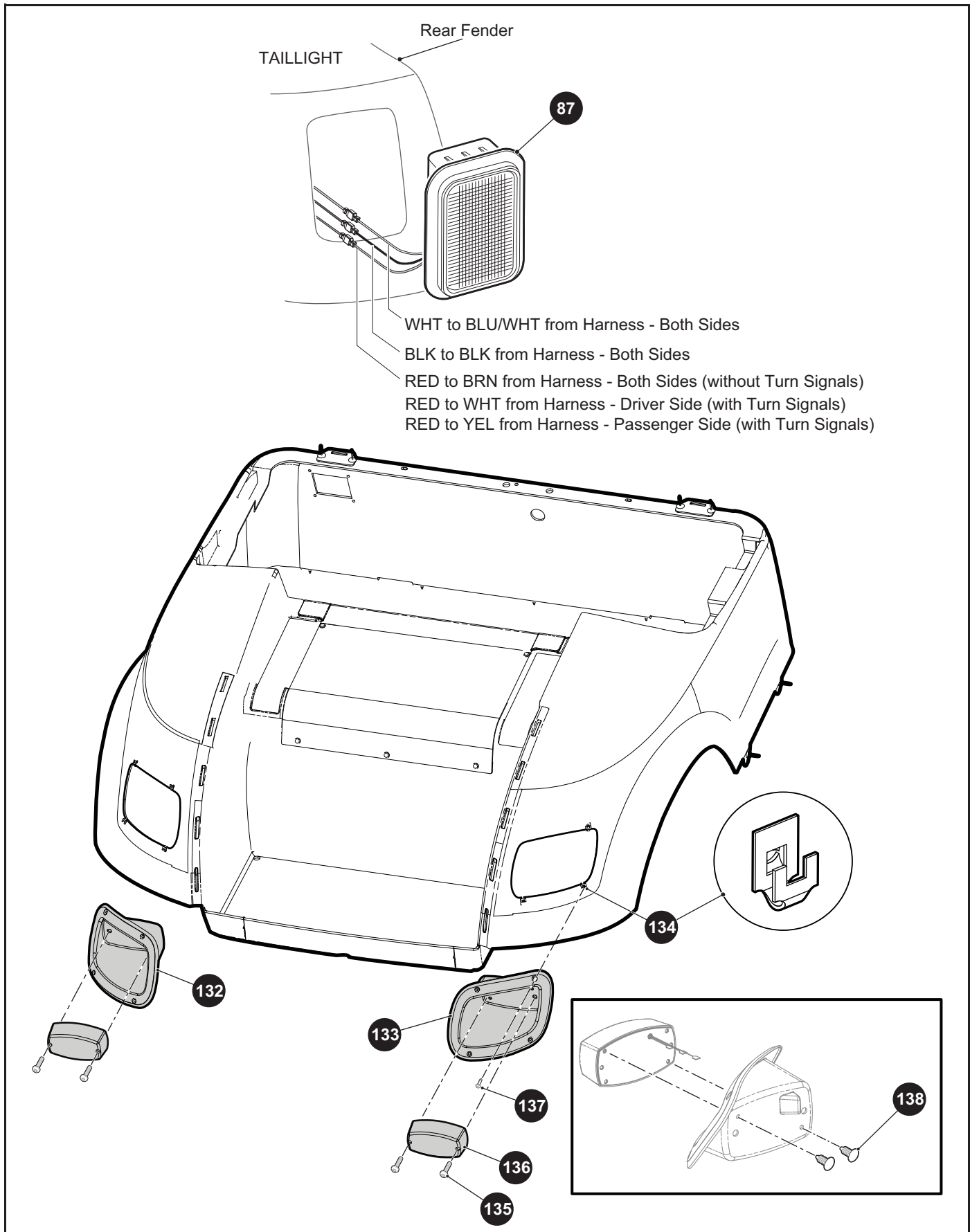
31 ELECTRICAL PLATE ASSEMBLY includes items 32 - 49

ELECTRICAL SYSTEM

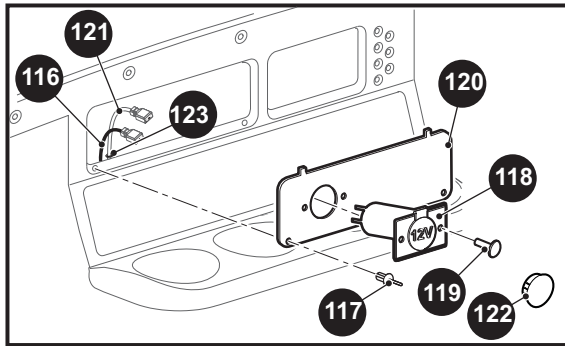




ELECTRICAL SYSTEM

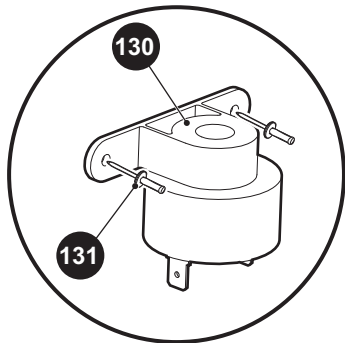


CONSOLE INSERT PLATE (WITH POWER OUTLET SHOWN)

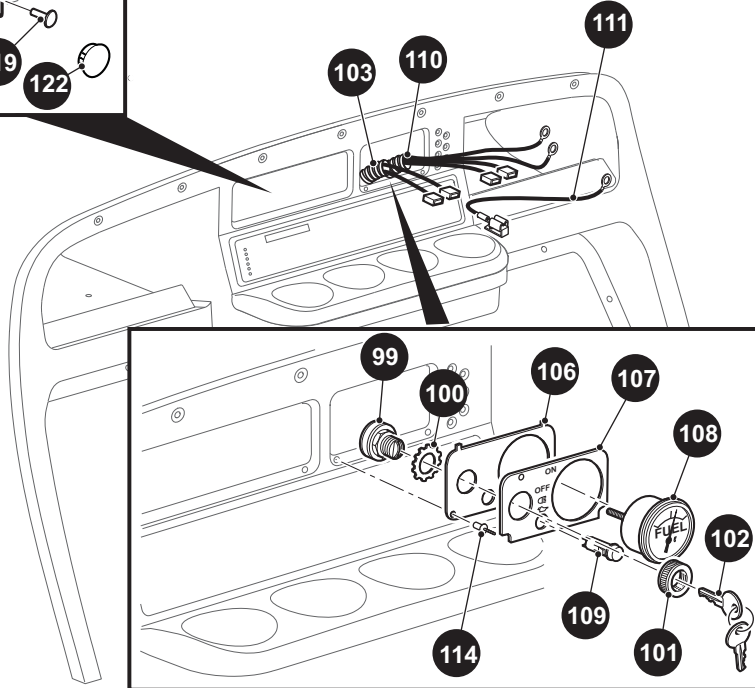


113 ASSEMBLY CONSOLE INSERT includes items 120, 122

115 POWER OUTLET 12V includes items 116 - 121



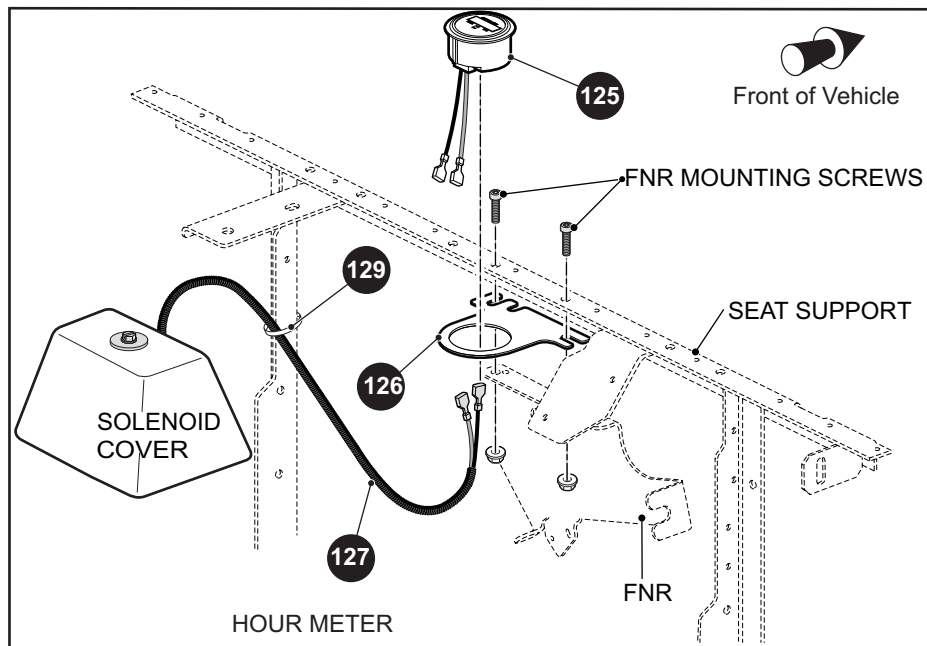
Front of Vehicle



KEY SWITCH, INDICATOR LIGHT(S), AND FUEL GAUGE

124 HOUR METER KIT includes items 125 - 127

128 HOUR METER KIT includes items 125 - 127



ELECTRICAL SYSTEM

When ordering parts, please specify the model and serial number of the product.

* Indicates a component that is not available as an individual part.

*** Indicates consult Customer Service Department for additional information.

ITEM	PART NO.	1 2 3 4 5	DESCRIPTION	QTY.
1	607053		6 GA WIRE (BLACK 6", F1 - A2).....	1
2	25682G01		TERMINAL COVER.....	3
3				
4				
5	24775G1		BATTERY, 12V	1
6	*		BOLT, 5/16" - 18 X 1 1/4" LG	2
7	*		LOCK WASHER (SILICON BRONZE), 5/16"	2
8	*		LOCK NUT (SILICON BRONZE), 5/16" - 18.....	2
9				
10	72101G02		BATTERY HOLD DOWN	1
11	00438G6		HEX HEAD BOLT, 5/16" - 18 X 3/4" LG.....	3
12	00565G8		LOCK WASHER, 5/16"	1
13	00571G2		FLAT WASHER (SS), 5/16"	1
14				
15				
16	27044G03		GROUND CABLE.....	1
17	25976G19		14 GA WIRE (BLACK 6").....	1
18	00438G6		HEX HEAD BOLT, 5/16" - 18 X 3/4" LG.....	2
19	11027G1		LOCK NUT, 5/16" - 18	2
20	26676G01		FLANGED BOLT M6 X 1.0 X 23MM.....	1
21				
22				
23	607103		6 GA WIRE (42" LONG)	1
24	605777		WIRE HARNESS (CONTROL).....	1
25	17618G1		WIRE TIE (NOT ILLUSTRATED)	AR
26	73049G01		COVER FNR	1
27	16469G1		FLAT WASHER, 1/4"	1
28	00114G6		HEX WASHER HEAD TAPPING SCREW, 1/4" - 14 X 3/4" LG.....	1
29				
30				
31	605563		ELECTRICAL PLATE ASSEMBLY (INCLUDES ITEMS 32 - 49)	1

ELECTRICAL SYSTEM

When ordering parts, please specify the model and serial number of the product.

* Indicates a component that is not available as an individual part.

*** Indicates consult Customer Service Department for additional information.

ITEM	PART NO.	1 2 3 4 5	DESCRIPTION	QTY.
32	73057G01		BRACKET.....	1
33	27739G01		VOLTAGE REGULATOR.....	1
34	00415G4		HEX HEAD BOLT, 1/4" - 20 X 1 1/4" LG.....	1
35	11027G2		LOCK NUT, 1/4" - 20.....	1
36	25972G33		WIRE ASSEMBLY 6 GA.....	1
37	603282		RELAY.....	1
38	00661G8		HEX HEAD BOLT, 1/4" - 20 X 1" LG.....	1
39	612813		SOLENOID.....	1
40	*		LOCK WASHER, #10.....	2
41	*		NUT, #10 - 32.....	2
42	*		LOCK WASHER, 5/16".....	2
43	*		NUT, 5/16" - 24.....	2
44	00567G7		LOCK WASHER (EXTERNAL TOOTH TYPE), 1/4".....	1
45	00532G1		HEX NUT, 1/4" - 20.....	1
46	600418G01		FUSE HOLDER ASSEMBLY.....	1
47	11027G2		LOCK NUT, 1/4" - 20.....	1
48	73446G01		FASTON TAB, 90°.....	2
49	25978G56		18 GA WIRE (BLACK 5 3/4").....	1
50				
51	22674G1		FUSE BLOCK.....	1
52	01041G01		RIVET, 1/8" X 13/16" LG.....	2
53	18392G1		15 AMP FUSE.....	3
54	25972G33		#6 GA WIRE ASSEMBLY.....	1
55	20216G1		16 GA WIRE (RED).....	1
56				
57	32860G1		HORN.....	1
58	00414G5		HEX HEAD BOLT, 1/4" - 20 X 5/8" LG.....	1
59	00559G7		LOCK WASHER (SS), 1/4".....	1
60	14390G4		LOCK NUT, 1/4 - 20.....	1
61				
62	17318G1		HORN SWITCH.....	1

ELECTRICAL SYSTEM

When ordering parts, please specify the model and serial number of the product.

* Indicates a component that is not available as an individual part.

*** Indicates consult Customer Service Department for additional information.

ITEM	PART NO.	1 2 3 4 5	DESCRIPTION	QTY.
63	17318G2		HORN SWITCH CAP AND NUT	1
64	27068G01		HORN SWITCH BOOT.....	1
65	19233G1		HORN SWITCH LABEL.....	1
66	71055G01		ALUMINUM RIVET, 3/16" X 1" LG	2
67				
68	614497		PASSENGER SIDE HEAD LIGHT ASSEMBLY	1
69	614501		DRIVER SIDE HEADLIGHT ASSEMBLY	1
70	71597G01		SELF THREADING NUT 5 X 10 X 15 MM	8
71				
72	618556		LED HEADLIGHT W/O TURN SIGNAL (PASSENGER SIDE).....	1
73	618555		LED HEADLIGHT W/O TURN SIGNAL (DRIVER SIDE)	1
74				
75	622712		TURN SIGNAL KIT (INCLUDES ITEMS 76 - 82)	1
76	17618G1		NYLON CLAMP	2
77	20965G3		STEERING COLUMN COVER	1
78	611810		TURN SIGNAL SWITCH ASSEMBLY.....	1
79	619102		TURN SIGNAL BULB.....	2
80	32307G3		FLEX ZIP LOOM.....	1
81				
82	21640G1		FLASHER UNIT.....	1
83	00439G1		HEX HEAD BOLT, 5/16" - 18 X 1 1/8" LG (NOT ILLUSTRATED)	1
84	75048G01		SPACER, .328" X .75" X .50" (NOT ILLUSTRATED)	1
85	11098G6		LOCK NUT, 5/16" - 18 (NOT ILLUSTRATED)	1
86				
87	22288G1		TAIL LIGHT ASSEMBLY COMPLETE.....	2
88				
89				
90				
91				
92				
93				

ELECTRICAL SYSTEM

When ordering parts, please specify the model and serial number of the product.

* Indicates a component that is not available as an individual part.

*** Indicates consult Customer Service Department for additional information.

ITEM	PART NO.	1 2 3 4 5	DESCRIPTION	QTY.
94				
95				
96				
97				
98	619092		WIRE HARNESS, LONG (ACCESSORY)	1
99	33639G01		IGNITION SWITCH (WITH LIGHTS)	1
100	00568G6		LOCK WASHER, 3/4"	1
101	17137G1		FACE NUT, 3/4" - 20	1
102	17063G1		IGNITION KEY	1
103	605866		WIRE HARNESS (KEY SWITCH).....	1
104				
105				
106	73030G04		PLATE (FUEL GAUGE AND OIL LIGHT)	1
107	71131G01		LABEL (OIL LIGHT AND FUEL GAUGE WITH HEADLIGHTS)	1
108	21553G1		FUEL GAUGE	1
109	23474G1		INDICATOR LIGHT	1
110	74311G01		HARNESS (OIL LIGHT/FUEL GAUGE).....	1
111	25978G122		18 GA WIRE (RED 6")	1
112				
113	74693G02		CONSOLE INSERT PLATE ASSY (INCLUDES ITEMS 120, 122)	1
114	33623G02		RIVET, BLACK PLATIC 3/16 X 3/8	2
115	612143		POWER OUTLET 12V (INCLUDES ITEMS 116 - 121)	1
116	612107		WIRE HARNESS, POWER OUTLET 12V	1
117	33623G02		RIVET, BLACK PLATIC 3/16 X 3/8	3
118	71078G01		OUTLET, POWER 12V	1
119	14601G10		ALUMINUM RIVET, 5/32"	2
120	73522G03		CONSOLE PLATE (E-COAT)	1
121	35212G01		FUSE, AUTOMTIVE ATC TYPE, 15A	1
122	20271G01		HOLE PLUG	1
123	17618G1		NYLON CLAMP.....	1
124	607285		HOUR METER KIT (INCLUDES ITEMS 125 - 127).....	1

ELECTRICAL SYSTEM

When ordering parts, please specify the model and serial number of the product.

* Indicates a component that is not available as an individual part.

*** Indicates consult Customer Service Department for additional information.

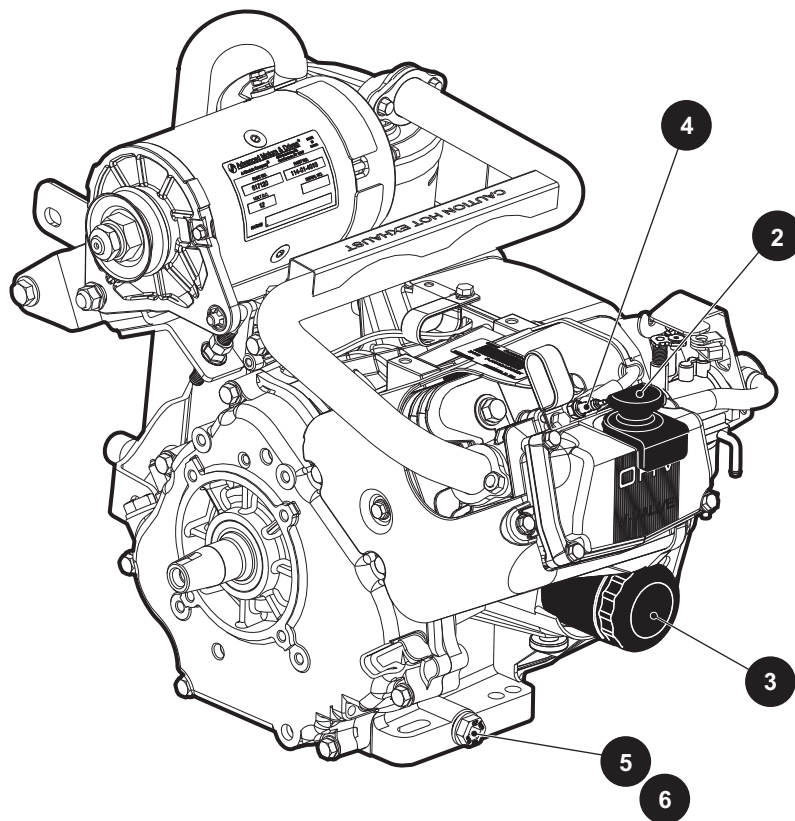
ITEM	PART NO.	1	2	3	4	5	DESCRIPTION	QTY.
125	617074						HOUR METER.....	1
126	603721						HOUR METER BRACKET.....	1
127	606254						WIRE HARNESS (HOUR METER).....	1
128	607284						HOUR METER KIT (INCLUDES ITEMS 125 - 127).....	1
129	31539G1						NYLON CLAMP 15.5" (NOT ILLUSTRATED).....	A/R
130	73290G03						CONTINUOUS TONE POTTED BUZZER.....	1
131	01041G01						BULBEX RIVET, 5/32" DIA.....	2
132	625251						BEZEL, TAILLIGHT (DRIVER SIDE) (FOR VEHICLES MANUFACTURED FROM MARCH 2014).....	1
133	625252						BEZEL, TAILLIGHT (PASSENGER SIDE) (FOR VEHICLES MANUFACTURED FROM MARCH 2014).....	1
134	71364G02						"J" TYPE NUT, #8 (FOR VEHICLES MANUFACTURED FROM MARCH 2014).....	8
135	00513G4						PAN HEAD PHILLIPS SCREW, #8 X 1.5" LG (FOR VEHICLES MANUFACTURED FROM MARCH 2014).....	4
136	22288G1						TAILLIGHT ASSEMBLY (FOR VEHICLES MANUFACTURED FROM MARCH 2014).....	2
137	71425G01						TAPPING SCREW, #8 - 18 X .75" LG (FOR VEHICLES MANUFACTURED FROM MARCH 2014).....	8
138	14601G11						RIVET, 3/16" X 9/16" (FOR VEHICLES MANUFACTURED FROM MARCH 2014).....	2

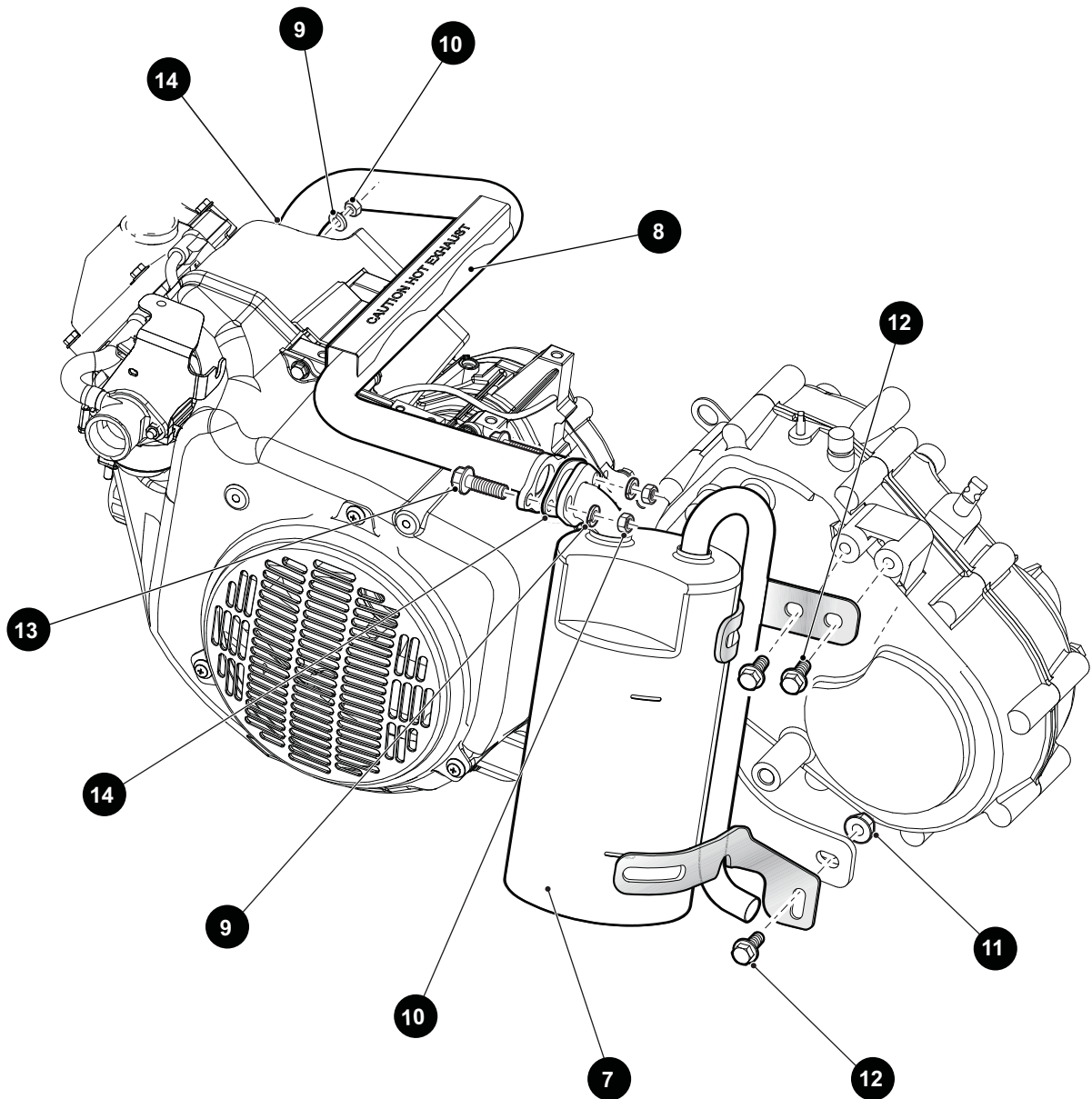
Notes:



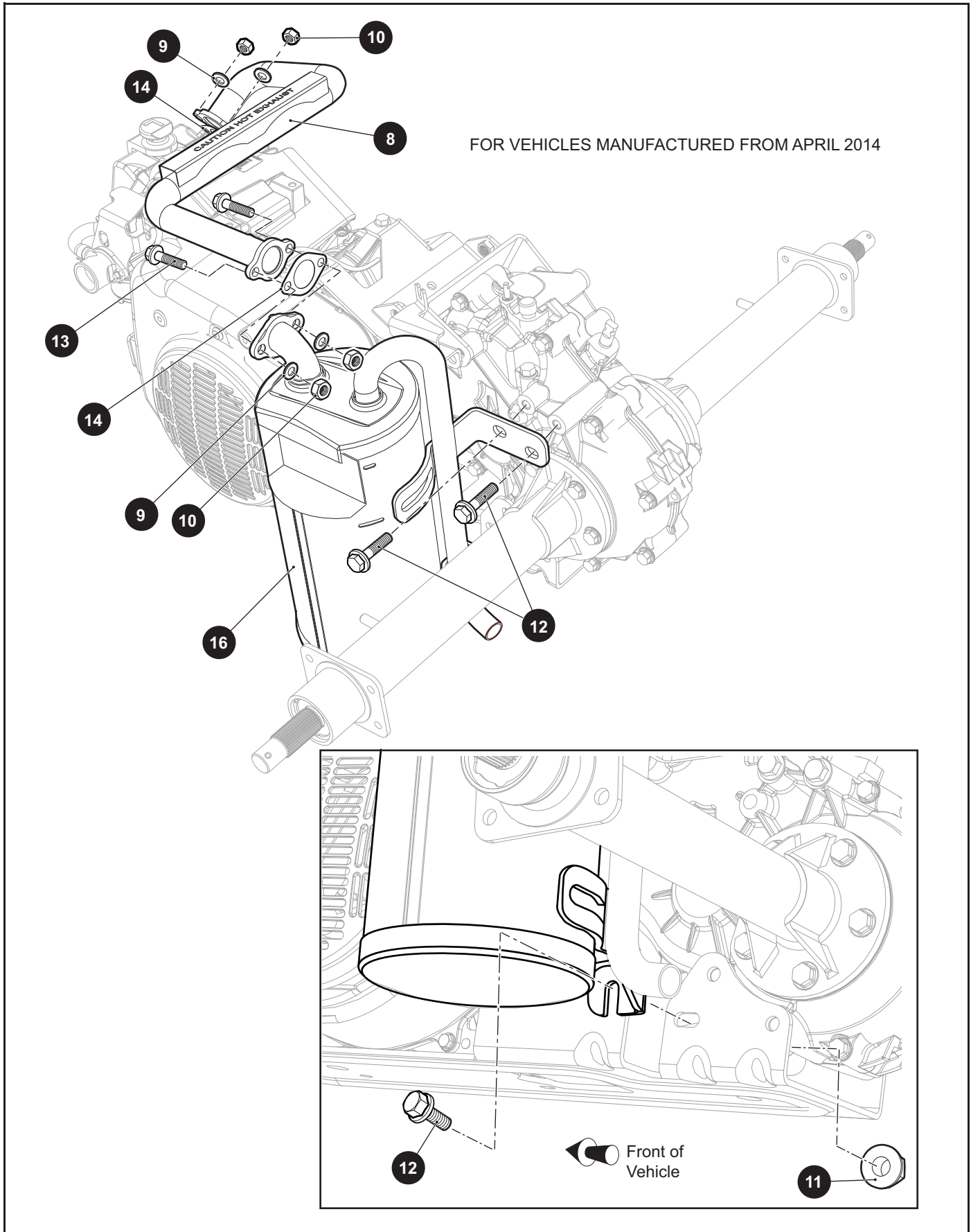
ENGINE AND MUFFLER

1 GAS ENGINE includes items 3 - 6





ENGINE AND MUFFLER



ENGINE AND MUFFLER

When ordering parts, please specify the model and serial number of the product.

* Indicates a component that is not available as an individual part.

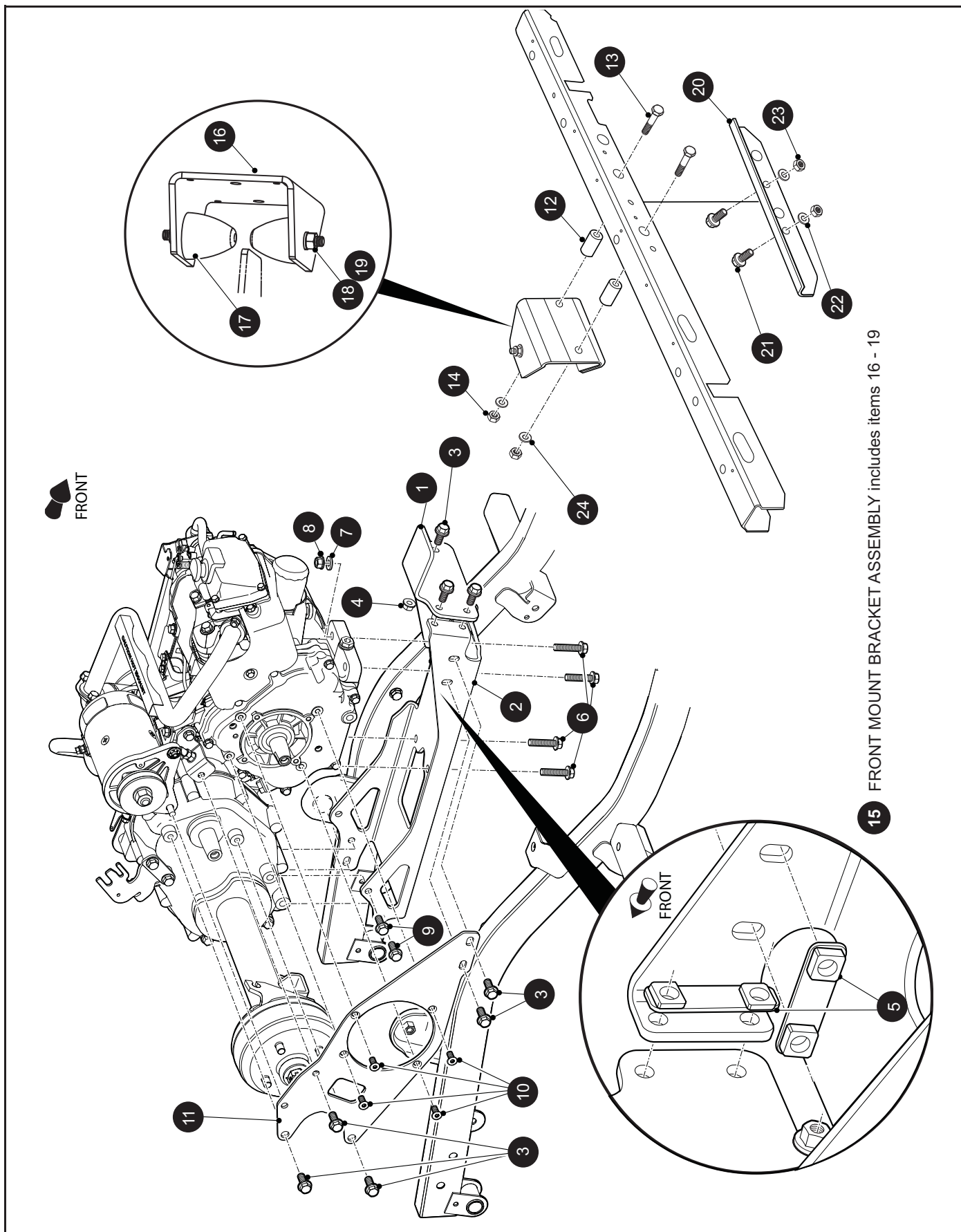
*** Indicates consult Customer Service Department for additional information.

ITEM	PART NO.	1 2 3 4 5	DESCRIPTION	QTY.
1	633740		ENGINE, GAS, 13HP, NON-GOLF (INCLUDES ITEMS 3 - 6)	1
2	606390		DIP STICK.....	1
3	607454		OIL FILTER.....	1
4	607462		SPARK PLUG (BPR2ES)	1
5	603557		OIL DRAIN PLUG	1
6	603562		'O' RING, 16MM.....	1
7	612266		MUFFLER	1
8	606982		EXHAUST PIPE	1
9	606272		LOCK WASHER, 8MM.....	4
10	606267		HEX JAM NUT, M8 X 1.25	4
11	606279		HEX NUT, M10 - 1.25.....	1
12	606256		HEX HEAD BOLT, M10 - 1.25 X 25MM LG.....	3
13	602330		HEX HEAD BOLT, M8 - 1.25 X 30MM LG.....	2
14	603599		EXHAUST GASKET.....	2
15				
16	630970		MUFFLER (FOR VEHICLES MANUFACTURED FROM APRIL 2014)	1

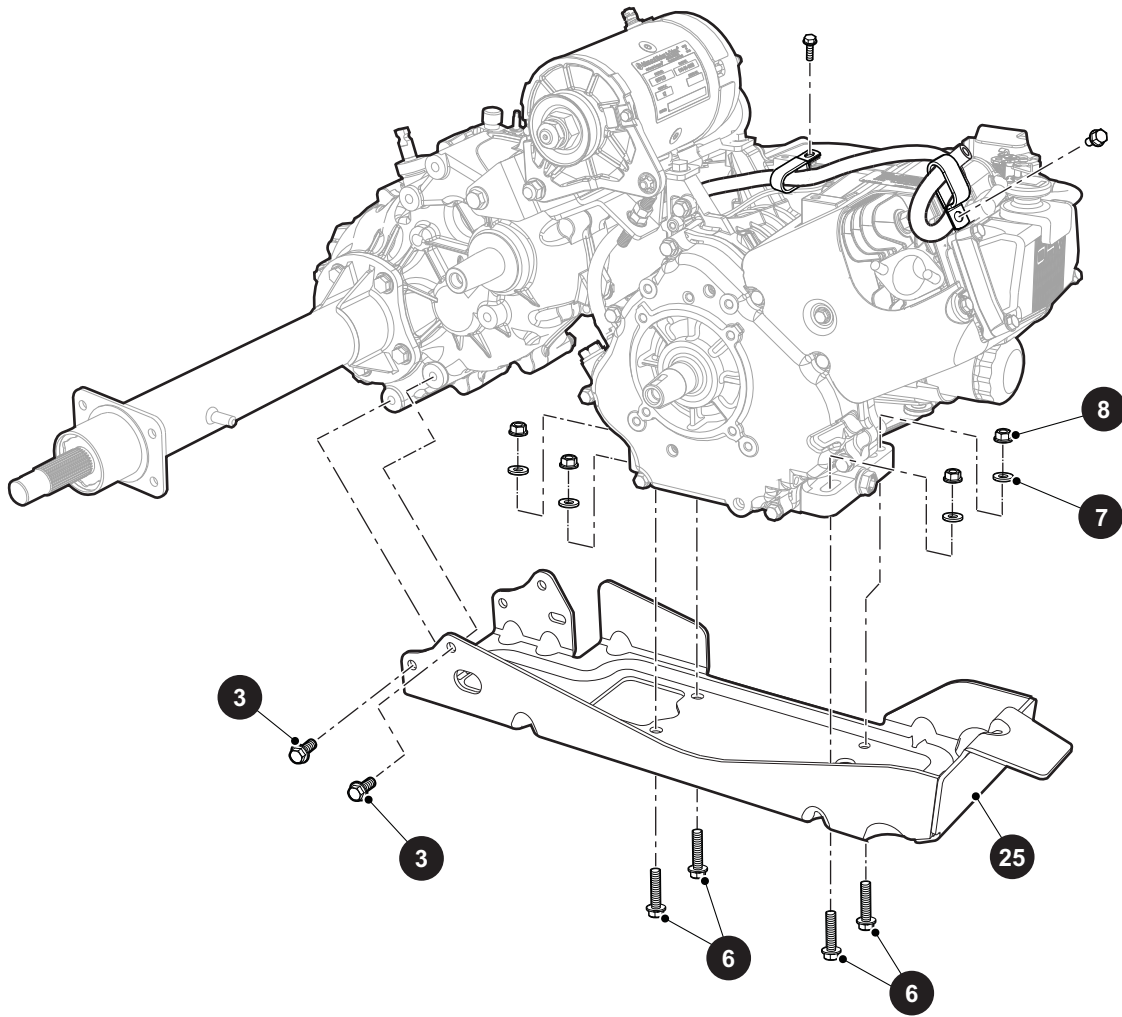
Notes:



ENGINE MOUNTING



FOR VEHICLES MANUFACTURED FROM APRIL 2014



ENGINE MOUNTING

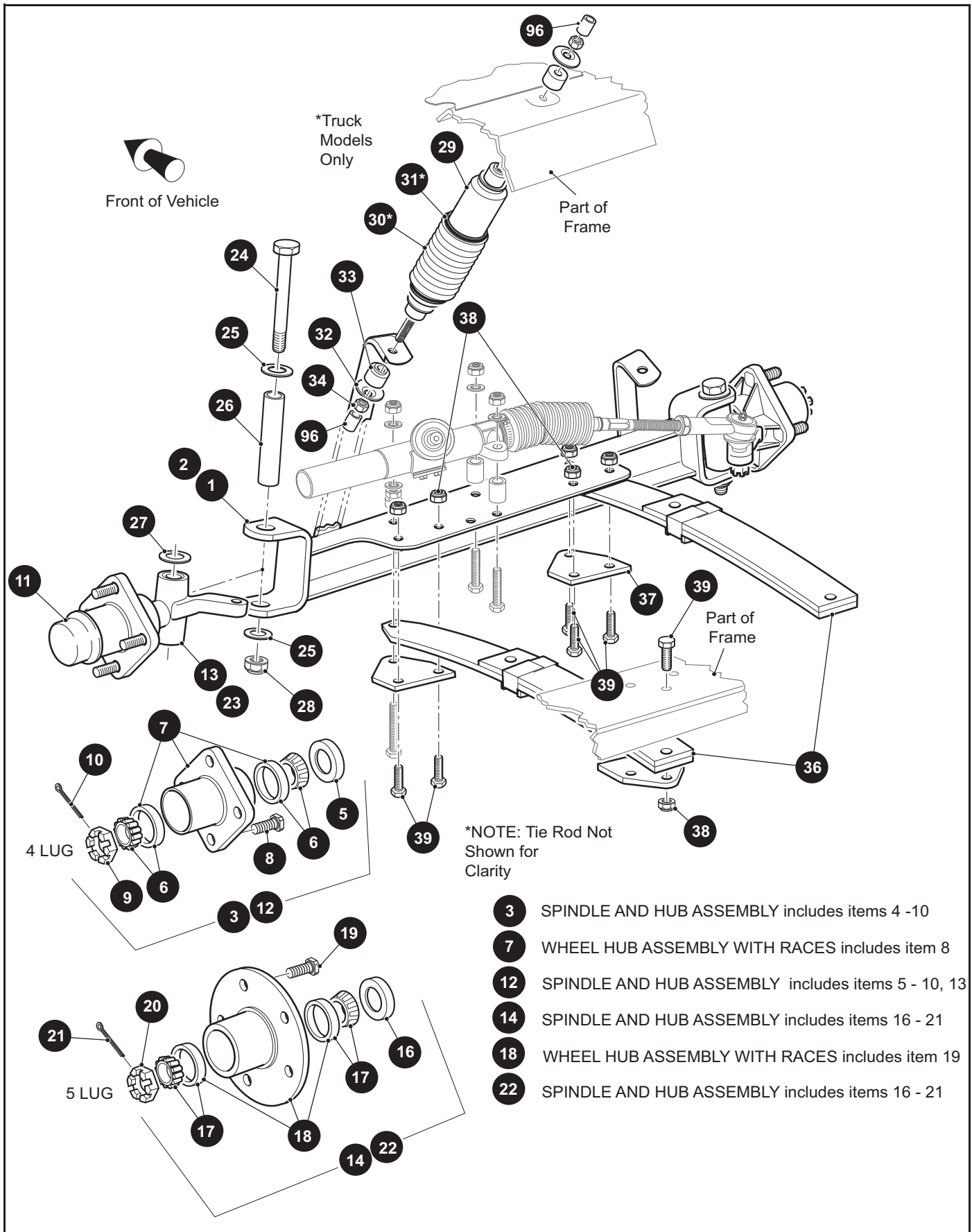
When ordering parts, please specify the model and serial number of the product.

* Indicates a component that is not available as an individual part.

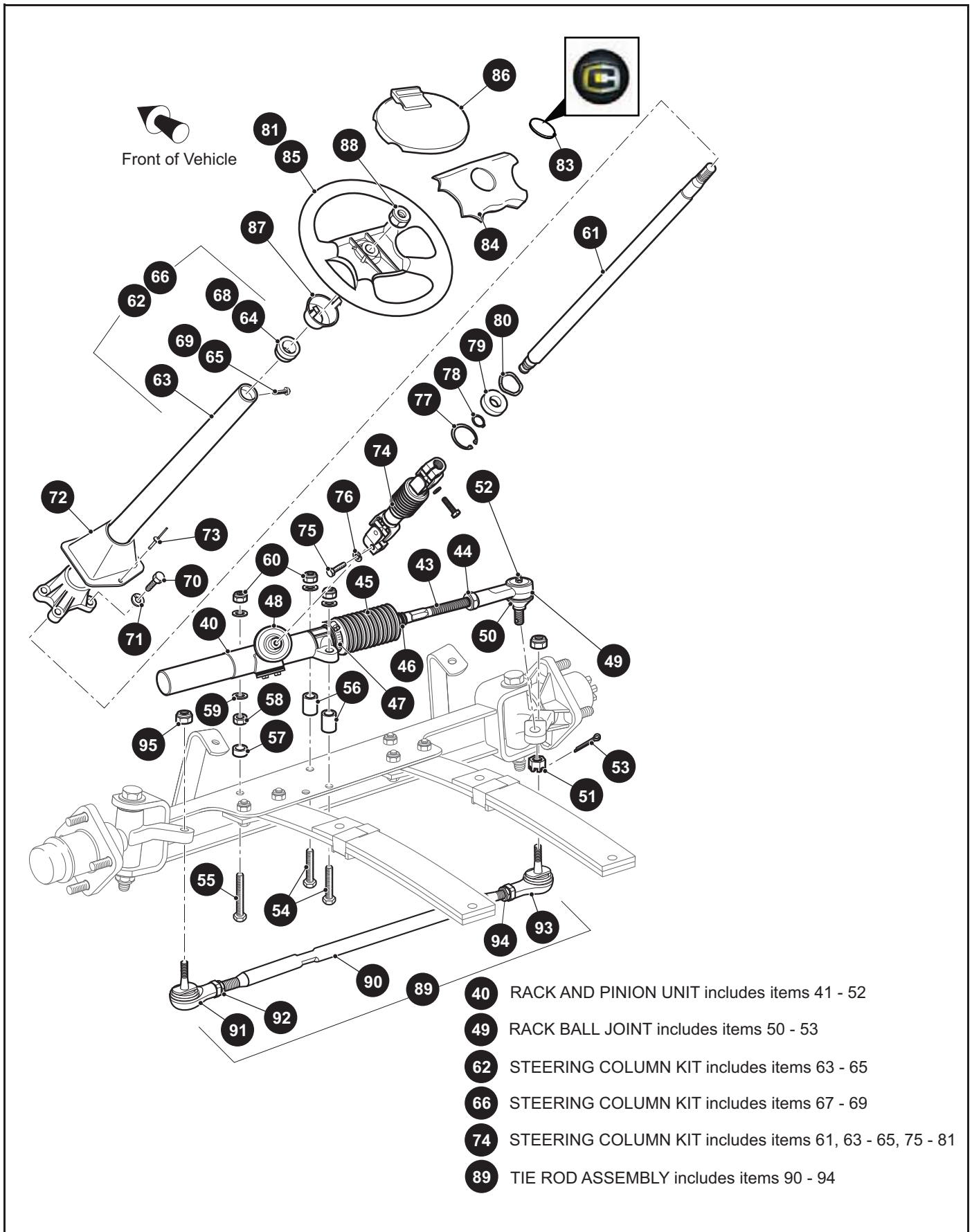
*** Indicates consult Customer Service Department for additional information.

ITEM	PART NO.	1	2	3	4	5	DESCRIPTION	QTY.
1	606007						FRONT ENGINE MOUNT	1
2	603101						ENGINE PAN MOUNT	1
3	606256						HEX HEAD BOLT, M10 - 1.25 X 25MM LG	8
4	606279						HEX NUT, M10 - 1.25	1
5	606096						NUT PLATE	2
6	606259						HEX HEAD BOLT, M10 - 1.25 X 45MM LG	4
7	603823						FLAT WASHER, M10 X 22MM - 2.5MM	4
8	606279						HEX NUT, M10 - 1.25	4
9	608020						HEX HEAD BOLT, M10 - 1.25 X 34MM LG	4
10	606246						FLAT HEAD TORX SCREW, M6 - 1 X 12MM LG	4
11	602146						DIFFERENTIAL PLATE	1
12	72016G01						TUBE SPACER	2
13	00428G8						HEX HEAD CAPSCREW, 3/8" - 16 X 2.75" LG	2
14	11098G5						PLASTIC INSERT LOCK NUT 3/8" - 16"	2
15	627627						FRONT MOUNT BRACKET ASSEMBLY (INCLUDES ITEMS 16 - 19)	1
16	625345						FRONT MOUNT BRACKET	1
17	605757						RUBBER BUMPER	2
18	00974G01						HEX - NUT M10 X 1.5	2
19	608654						SPLIT LOCK WASHER, 10MM	2
20	70269G02						CROSSMEMBER BRACE	1
21	00438G7						HEX HEAD CAPSCREW, 5/16" - 18 X 7/8" LG	2
22	00559G8						FLAT WASHER 5/16"	2
23	01109G01						LOCK NUT, 5/16" - 18	2
24	00643G1						FLAT WASHER, 3/8" X 1 X .063"	2
25	630776						ENGINE PAN (FOR VEHICLES MANUFACTURED FROM APRIL 2014)	1

FRONT SUSPENSION / STEERING



FRONT SUSPENSION / STEERING



FRONT SUSPENSION / STEERING

When ordering parts, please specify the model and serial number of the product.

* Indicates a component that is not available as an individual part.

*** Indicates consult Customer Service Department for additional information.

ITEM	PART NO.	1 2 3 4 5	DESCRIPTION	QTY.
1	602513		FRONT AXLE	1
2	602327		FRONT AXLE WITH FRONT DISC BRAKES	1
3	70942G03		SPINDLE AND HUB ASSEMBLY, 4 LUG (PASSENGER SIDE) (INCLUDES ITEMS 4 - 10).....	1
4	70942G04		SPINDLE ASSEMBLY (PASSENGER SIDE).....	1
5	25146G1		GREASE SEAL.....	1
6	50892G1		ROLLER BEARING AND RACE ASSEMBLY	2
7	70589G01		WHEEL HUB ASSEMBLY WITH RACES, 4 LUG (INCLUDES ITEM 8) ..	1
8	19862G1		LUG BOLT, 1/2" - 20 X 1 3/16" LG.....	4
9	12093G1		CASTELLATED NUT, 1" - 14	1
10	00798G8		COTTER PIN, 5/32" X 1 3/4" LG.....	1
11	12091G2		SPINDLE CAP	2
12	70673G03		SPINDLE AND HUB ASSEMBLY, 4 LUG (DRIVER SIDE) (INCLUDES ITEMS 5 - 10, 13).....	1
13	70673G04		SPINDLE ASSEMBLY (DRIVER SIDE)	1
14	602288		SPINDLE AND HUB ASSEMBLY WITH FRONT DISC BRAKES (PASSENGER SIDE)(INCLUDES ITEMS 16 - 21).....	1
15				
16	12092G1		GREASE SEAL.....	1
17	50892G1		ROLLER BEARING AND RACE ASSEMBLY	2
18	74673G01		WHEEL HUB ASSEMBLY WITH RACES, (INCLUDES ITEM 19).....	1
19	30143G1		LUG BOLT, 1/2" - 20 X 1 7/32" LG.....	5
20	12093G1		CASTELLATED NUT, 1" - 14	1
21	00798G8		COTTER PIN, 5/32" X 1 3/4" LG.....	1
22	602281		SPINDLE AND HUB ASSEMBLY, WITH FRONT DISC BRAKES (DRIVER SIDE)(INCLUDES ITEMS 15 - 20)	1
23				
24	00407G6		HEX HEAD BOLT, 1/2" - 13 X 6" LG.....	2
25	00560G3		FLAT WASHER, 1/2"	4
26	70745G01		KING PIN TUBE	2
27	70754G01		THRUST WASHER (SS), 1"	2
28	14390G6		LOCK NUT, 1/2" - 13	2
29	76419G01		SHOCK ABSORBER.....	2

FRONT SUSPENSION / STEERING

When ordering parts, please specify the model and serial number of the product.

* Indicates a component that is not available as an individual part.

*** Indicates consult Customer Service Department for additional information.

ITEM	PART NO.	1 2 3 4 5	DESCRIPTION	QTY.
30	70509G01		SHOCK ABSORBER BOOT	2
31	31539G1		WIRE TIE	4
32	10435G1		SHOCK ABSORBER WASHER.....	8
33	10194G1		RUBBER BUSHING	8
34	00532G6		HEX NUT, 3/8" - 24	4
35				
36	70664G03		CANTILEVER LEAF SPRING (HEAVY DUTY).....	2
37	70163G03		SPRING PLATE	4
38	00734G1		LOCK NUT, 7/16" - 14.....	11
39	00463G11		HEX HEAD BOLT, 7/16" - 14 X 1 3/4" LG	11
40	70964G01		RACK AND PINION UNIT (COMPLETE) (INCLUDES ITEMS 41 - 52).....	1
41	70965G01		STEERING RACK COVER & BEARING	1
42	*		STEERING BOX INSTALLATION TAG	1
43	70694G01		RACK EXTENSION.....	1
44	*		JAM NUT, 1/2" - 20.....	1
45	70961G01		RACK BOOT	1
46	12416G2		WIRE TIE.....	1
47	11391G8		CLAMP, 1 13/16" - 2 3/8"	1
48	70638G01		PINION SEAL	1
49	70695G01		TIE ROD END - OUTER.....	1
50	*		GROMMET - TIE ROD END	1
51	*		CASTELLATED NUT, 7/16 - 20	1
52	10389G3		GREASE FITTING, STRAIGHT	1
53	10387G2		COTTER PIN, 3/32" X 1" LG.....	1
54	00464G8		HEX HEAD BOLT, 7/16" - 14 X 2 3/4" LG	2
55	01068G01		HEX HEAD BOLT, 7/16" - 14 X 3 1/2" LG	1
56	70667G02		SPACER, 1.21" LG	2
57	70667G04		STEERING HOUSING SPACER	1
58	00532G7		HEX NUT, 7/16" - 14	1
59	00560G2		FLAT WASHER, 7/16".....	7
60	00734G1		LOCK NUT, 7/16" - 14.....	3

FRONT SUSPENSION / STEERING

When ordering parts, please specify the model and serial number of the product.

* Indicates a component that is not available as an individual part.

*** Indicates consult Customer Service Department for additional information.

ITEM	PART NO.	1 2 3 4 5	DESCRIPTION	QTY.
61	70607G01		STEERING SHAFT	1
62	70758G06		STEERING COLUMN KIT (INCLUDES ITEMS 63 - 65)	1
63	70610G03		STEERING COLUMN	1
64	28569G01		STEERING COLUMN BUSHING	1
65	01022G01		HEX WASHER HEAD, SCREW, #6 - 20 X 5/16" LG	1
66	70758G08		STEERING COLUMN KIT (HORN) (INCLUDES ITEMS 67 - 69)	1
67	70610G04		STEERING COLUMN	1
68	28569G01		STEERING COLUMN BUSHING	1
69	01022G01		HEX WASHER HEAD, SCREW, #6 - 20 X 5/16" LG	1
70	01006G01		HEX WASHER HEAD BOLT, 3/8" - 16 X 1 1/4" LG	4
71	00879G1		LOCK WASHER, 3/8"	4
72	70997G01		COVER	1
73	71055G01		RIVET, 3/16" X 1" LG (ALUMINUM)	1
74	70758G05		STEERING COLUMN KIT (INCLUDES ITEMS 61, 63 - 65, 75 - 81)	1
75	70580G01		INTERMEDIATE SHAFT (INCLUDES ITEMS 75, 76)	1
76	01055G01		HEX HEAD BOLT, M8 X 1.25 - 6G	1
77	00565G8		LOCK WASHER, 5/16"	1
78	70751G01		RETAINING RING (INTERNAL)	1
79	70888G01		RETAINING RING (EXTERNAL)	1
80	15112G1		BALL BEARING	1
81	70887G01		WAVE WASHER	1
82				
83	618086		CUSHMAN STEERING WHEEL DECAL	1
84	71147G01		STEERING WHEEL COVER	1
85	602979		STEERING WHEEL	1
86	607925		CLIPBOARD	1
87	71949G01		HUB COVER	1
88	14390G2		LOCK NUT, 5/8" - 18	1
89	70876G02		TIE ROD ASSEMBLY (INCLUDES ITEMS 90 - 94)	1
90	70897G02		THREADED ROD (24" LG)	1
91	70902G01		TIE ROD END (LEFT HAND THREADS)	1

FRONT SUSPENSION / STEERING

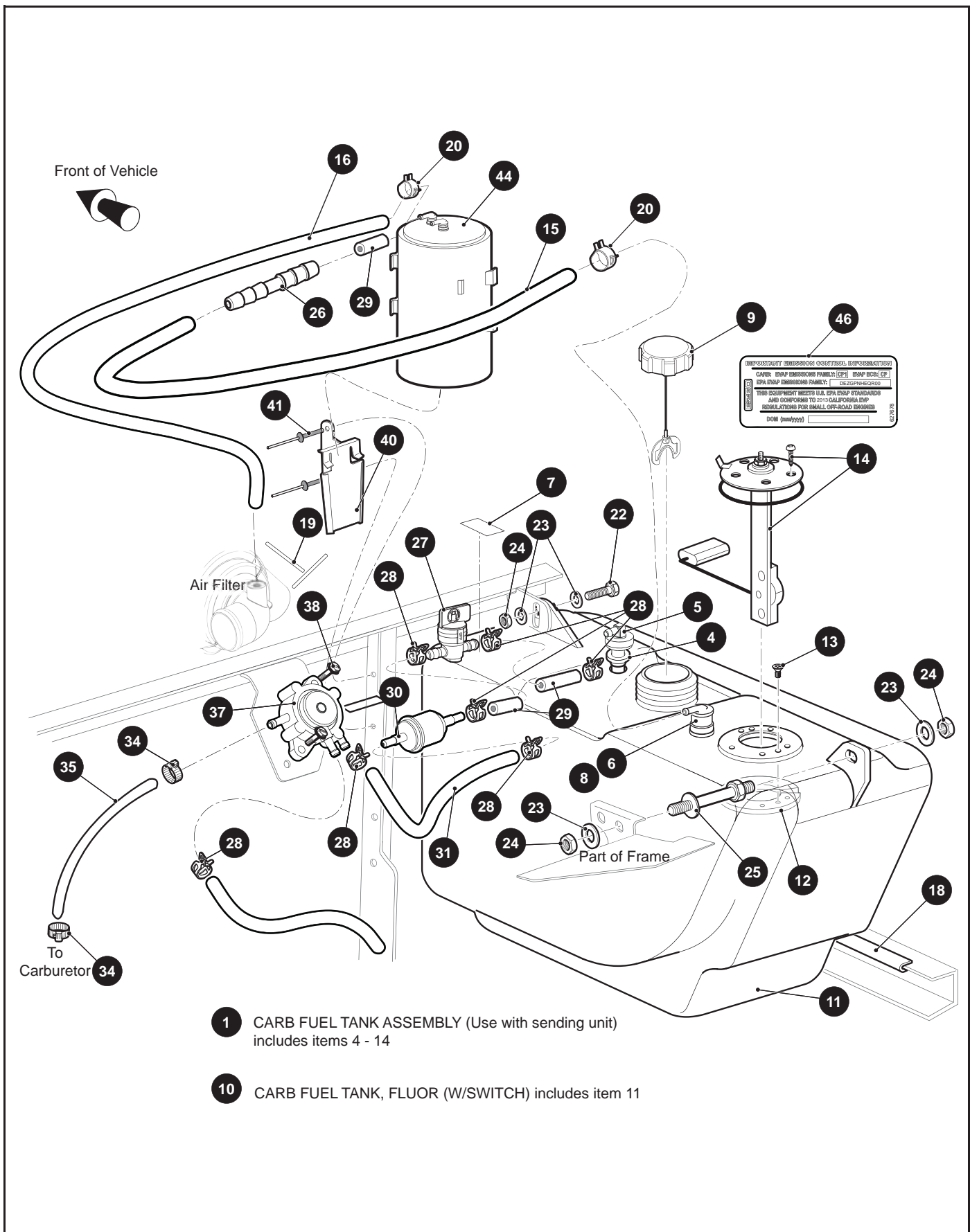
When ordering parts, please specify the model and serial number of the product.

* Indicates a component that is not available as an individual part.

*** Indicates consult Customer Service Department for additional information.

ITEM	PART NO.	1 2 3 4 5	DESCRIPTION	QTY.
92	01069G01		JAM NUT, M12 X 1.25 - 05 (LEFT HAND THREADS)	1
93	70902G02		TIE ROD END (RIGHT HAND THREADS)	1
94	01069G02		JAM NUT, M12 X 1.25 - 05 (RIGHT HAND THREADS).....	1
95	00734G1		LOCK NUT, 7/16" - 14.....	2
96	10044G01		VINYL CAP	4

FUEL SYSTEM



FUEL SYSTEM

When ordering parts, please specify the model and serial number of the product.

* Indicates a component that is not available as an individual part.

*** Indicates consult Customer Service Department for additional information.

ITEM	PART NO.	1 2 3 4 5	DESCRIPTION	QTY.
1	620181		CARB FUEL TANK ASSEMBLY (Use with sending unit) (INCLUDES ITEMS 4 - 14)	1
2				
3				
4	70988G01		SIPHON TUBE GROMMET	1
5	18287G3		SIPHON TUBE ASSEMBLY	1
6	606068		ROLLOVER VALVE GROMMET	1
7	617886		EPA FUEL TANK LABEL	1
8	606067		ROLLOVER VALVE	1
9	617885		FUEL TANK CAP (RATCHET).....	1
10	607479		CARB FUEL TANK, (W/SWITCH) (INCLUDES ITEM 11)	1
11	618669		FUEL TANK, W/ SENDER UNIT	1
12	72229G01		FUEL TANK ADAPTER	1
13	72230G01		FLAT HEAD MACHINE SCREW 6 - 32 X 1/2"	2
14	20048G2		FUEL LEVEL SENDER	1
15	607546		LOW PRESSURE FUEL HOSE, 3/16" I.D. X 3/8 O.D. X 17.00 LONG (CARB)	1
16	606966		LOW PRESSURE FUEL HOSE, 3/16" I.D. X 3/8 O.D. X 34.00 LONG (CARB)	1
17				
18	32372G6		BLACK TRIM, 6.25" LONG	1
19	17618G1		NYLON CLAMP	2
20	606963		TUBING CLAMP, 3/16" I.D.....	2
21				
22	00438G8		HEX HEAD BOLT, 5/16" - 18 X 1" LG	1
23	00559G8		FLAT WASHER, 5/16"	4
24	11098G6		LOCK NUT, 5/16" - 18	3
25	70483G01		SPACER, 5/16" - 18	1
26	615346		HOSE REDUCER - ID 1/4" X 3/16"	1
27	611181		FUEL SHUT-OFF VALVE	1
28	18292G1		HOSE CLAMP,.50 DIAMETER	7
29	615350		FUEL SYSTEM HOSE, ID 6.35, 2.00"	3
30	72084G01		FUEL LINE FILTER.....	1

FUEL SYSTEM

When ordering parts, please specify the model and serial number of the product.

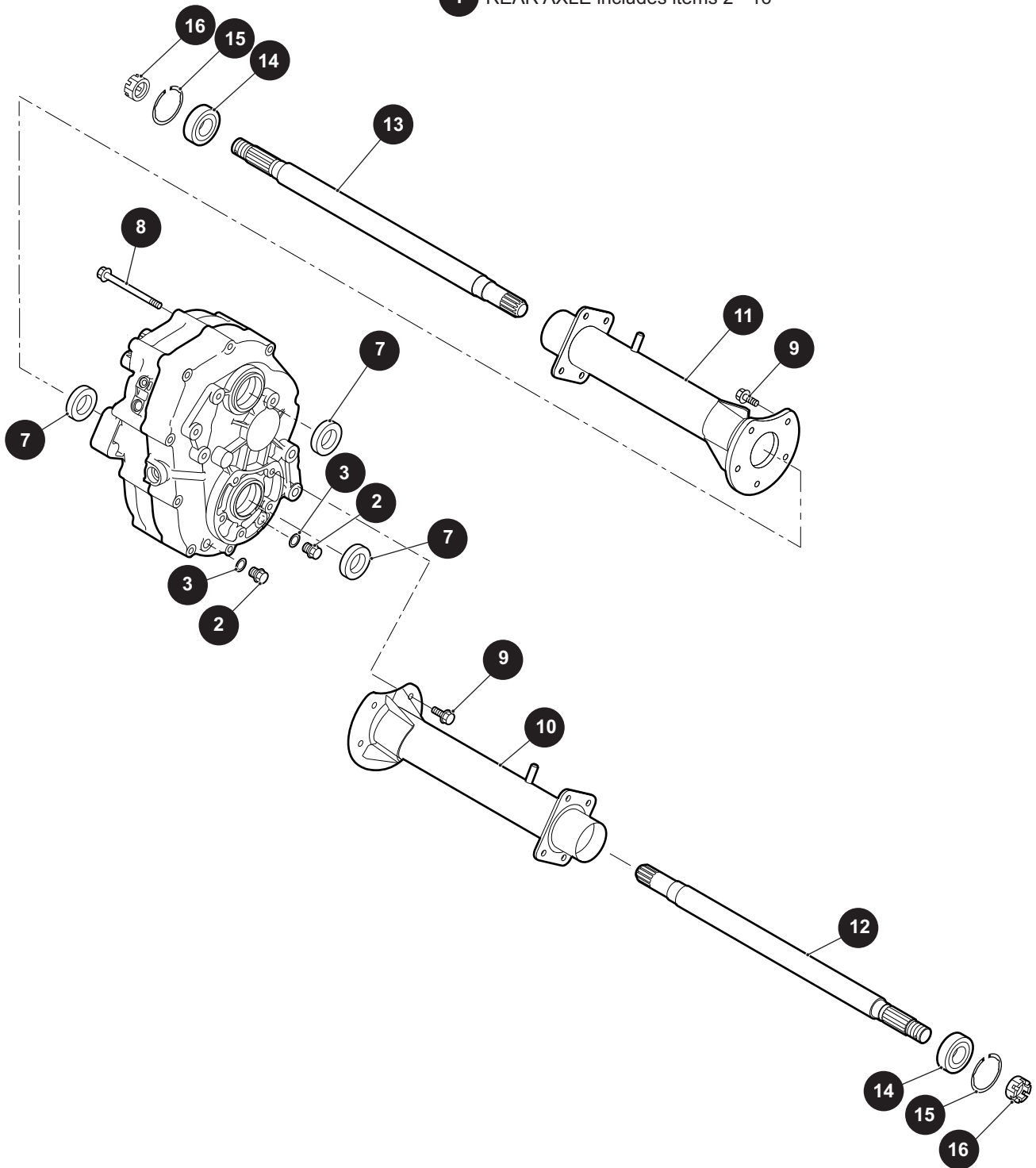
* Indicates a component that is not available as an individual part.

*** Indicates consult Customer Service Department for additional information.

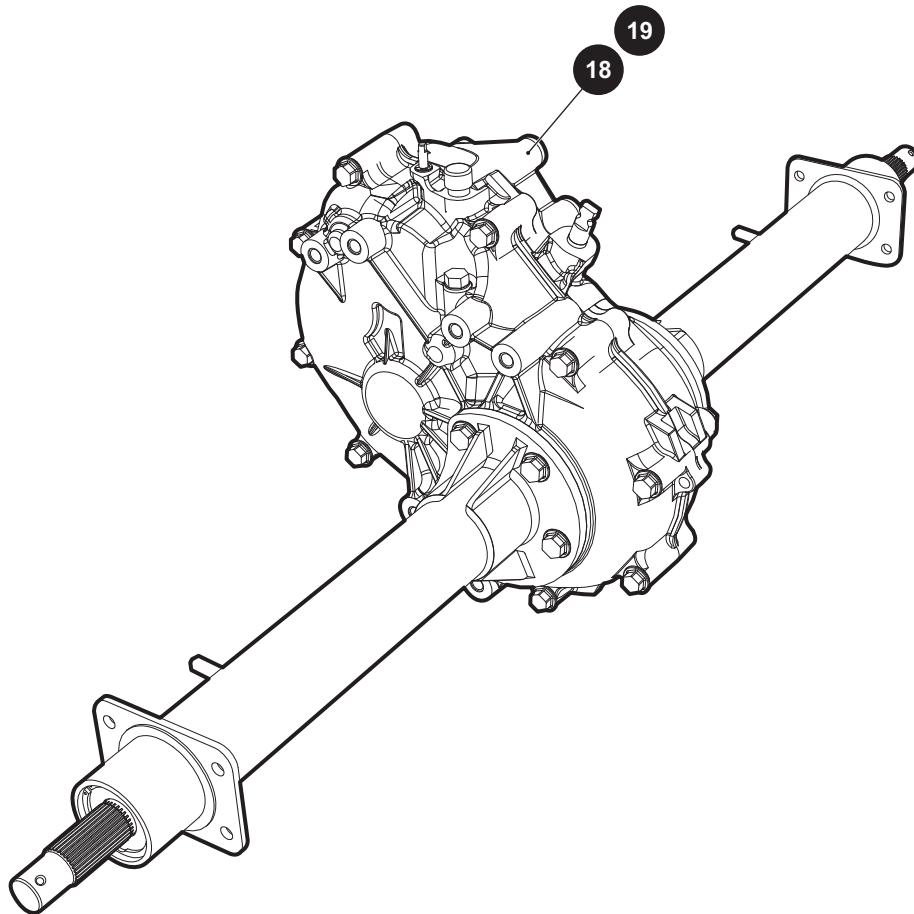
ITEM	PART NO.	1 2 3 4 5	DESCRIPTION	QTY.
31	606969		FUEL SYSTEM HOSE,.25 I.D. X.50 O.D. X 8.00 LONG	1
32				
33				
34	11391G4		HOSE CLAMP, .25 - .63 DIA	2
35	604597		CARB FUEL SYSTEM HOSE,.25 I.D. X.50 O.D. X 26.00 LONG	1
36				
37	602061		FUEL PUMP	1
38	00114G6		HEX WASHER HEAD SLOTTED TAPPING SCREW, 1/4" - 14 X .75" LG	2
39				
40	606310		CARBON CANISTER MOUNTING BRACKET	1
41	10570G11		RIVET, 3/16" DIA X .70.....	2
42				
43				
44	606071		CARBON CANISTER	1
45				
46	627678		EVAP LABEL	1

REAR AXLE

1 REAR AXLE includes items 2 - 16



FOR VEHICLES MANUFACTURED FROM APRIL 2014



REAR AXLE

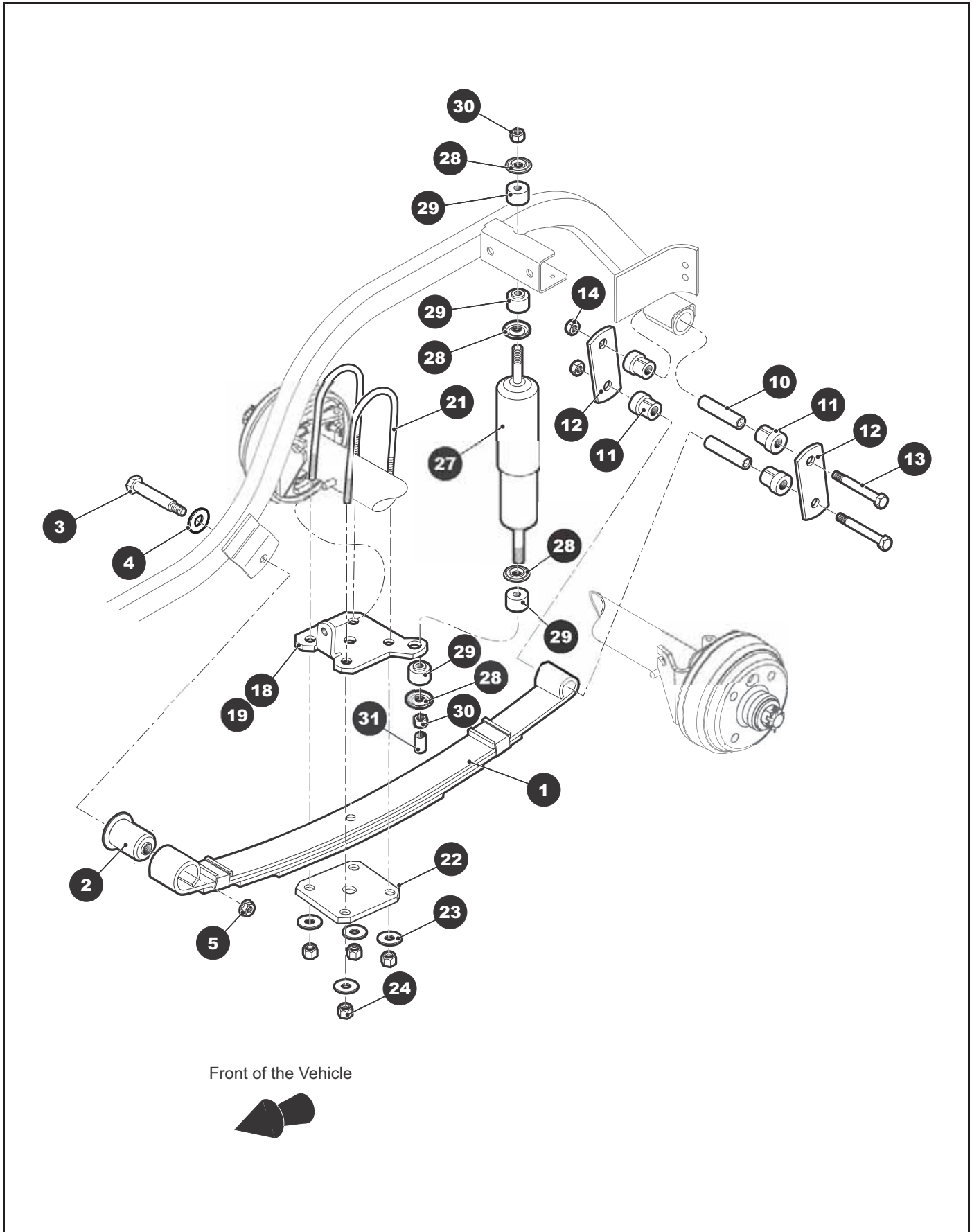
When ordering parts, please specify the model and serial number of the product.

* Indicates a component that is not available as an individual part.

*** Indicates consult Customer Service Department for additional information.

ITEM	PART NO.	1 2 3 4 5	DESCRIPTION	QTY.
1	627891		REAR AXLE (INCLUDES ITEMS 2 - 16).....	1
2	26770G01		OIL DRAIN PLUG	2
3	26771G01		GASKET, 14 MM.....	2
4				
5				
6				
7	72259G01		OIL SEAL, 28 X 47 X 9 MM	3
8	26823G01		FLANGED HEX HEAD BOLT, M8 X 1.25 X 100MM LG	10
9	72260G01		FLANGED HEX HEAD BOLT, M10 X 1.5 X 23MM LG	10
10	607940		AXLE TUBE (PASSENGER SIDE)	1
11	607939		AXLE TUBE (DRIVER SIDE)	1
12	607946		AXLE SHAFT (PASSENGER SIDE)	1
13	607945		AXLE SHAFT (DRIVER SIDE).....	1
14	26811G01		BALL BEARING	2
15	26814G01		SNAP RING, 52 MM.....	2
16	606403		SLOTTED NUT, M22 X 1.5	2
17				
18	632513		REAR AXLE, 11.47:1 (FOR VEHICLES MANUFACTURED FROM APRIL 2014).....	1
19	637674		REAR AXLE WITH LSD, 11:47.1 (FOR VEHICLES MANUFACTURED FROM APRIL 2014).....	1

REAR SUSPENSION



REAR SUSPENSION

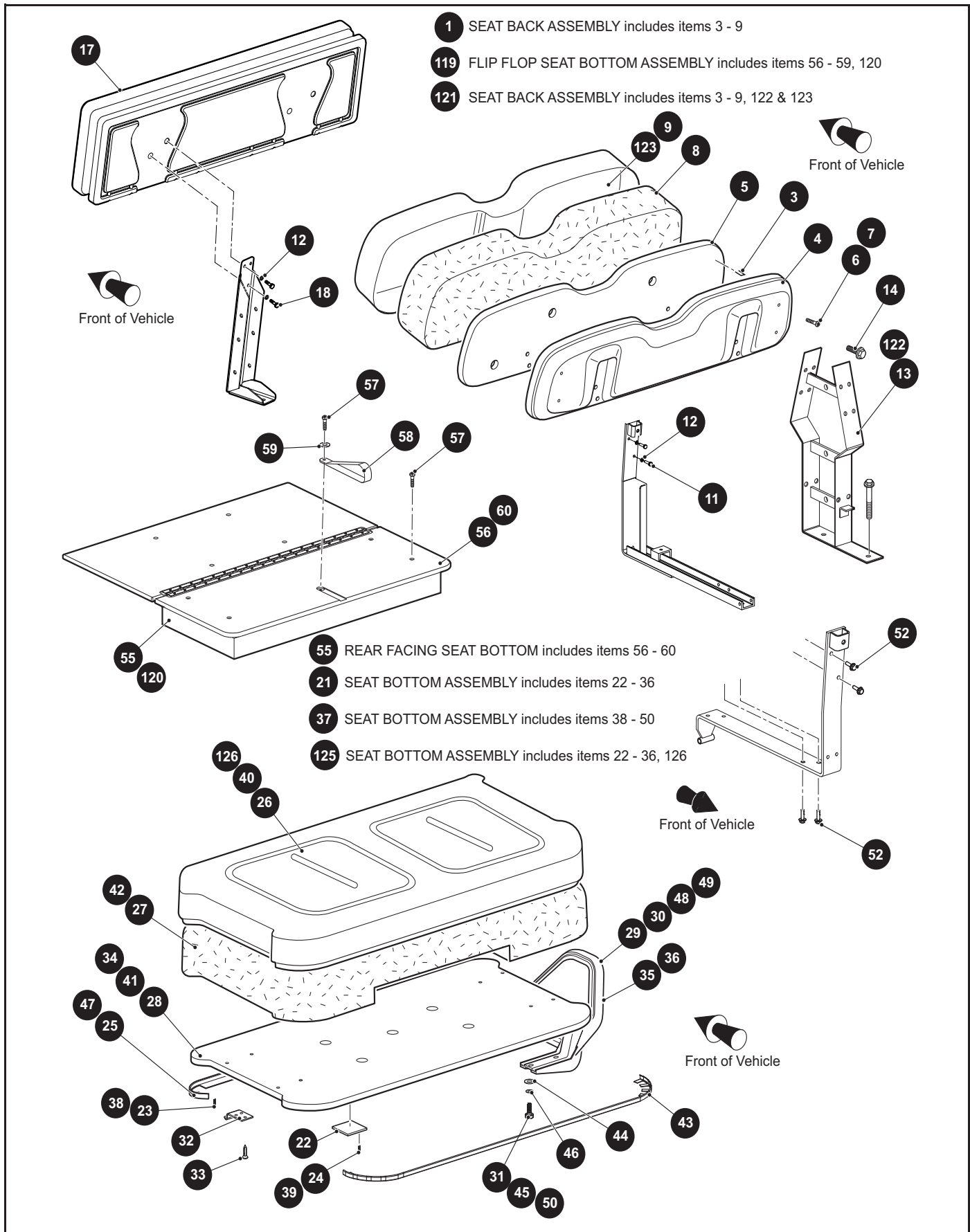
When ordering parts, please specify the model and serial number of the product.

* Indicates a component that is not available as an individual part.

*** Indicates consult Customer Service Department for additional information.

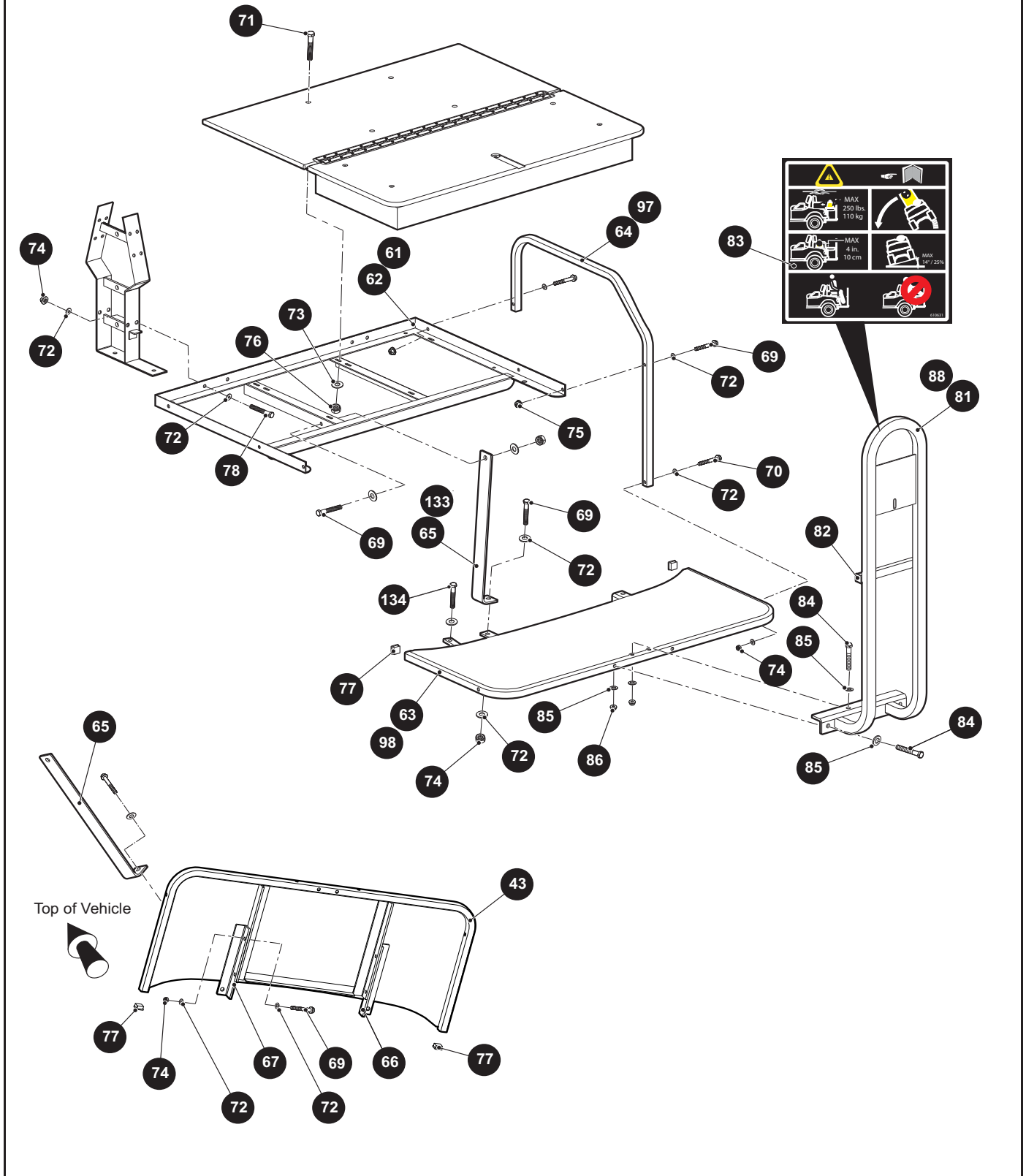
ITEM	PART NO.	1 2 3 4 5	DESCRIPTION	QTY.
1	605721		HEAVY DUTY LEAF SPRING.....	2
2	605445		LEAF SPRING BUSHING, FRONT.....	2
3	00665G9		HEX HEAD SHOULDER BOLT, SS 3/8" - 16 X 3.5" LG.....	2
4	00643G1		FLAT WASHER, .411 I.D. X 1.00 O.D. X .06.....	2
5	12262G1		FLANGED LOCK NUT, 3/8" - 16.....	2
6				
7				
8				
9				
10	70289G02		SPLIT STEEL SPACER.....	4
11	624030		FLANGED BUSHING.....	8
12	70270G02		SHACKLE PLATE.....	4
13	00665G9		HEX HEAD BOLT, SS 3/8" - 16 X 3.5" LG.....	4
14	11098G5		LOCK NUT, 3/8" - 16.....	4
15				
16				
17				
18	605938		AXLE BRACKET, DRIVER SIDE.....	1
19	605958		AXLE BRACKET, PASSENGER SIDE.....	1
20				
21	32195G3		U - BOLT, 3/8" - 16 X 5" X 2.875" X 2".....	4
22	605956		REAR SUSPENSION PLATE.....	2
23	00643G1		FLAT WASHER, .411 I.D. X 1.00 O.D. X .06.....	8
24	11098G5		LOCK NUT, 3/8" - 16.....	8
25				
26				
27	70248G01		SHOCK ABSORBER.....	2
28	10435G1		SHOCK ABSORBER WASHER.....	8
29	10194G1		RUBBER SHOCK BUSHING.....	8
30	00532G6		HEX NUT, 3/8" - 24.....	4
31	10044G01		VINYL CAP.....	2

SEATING

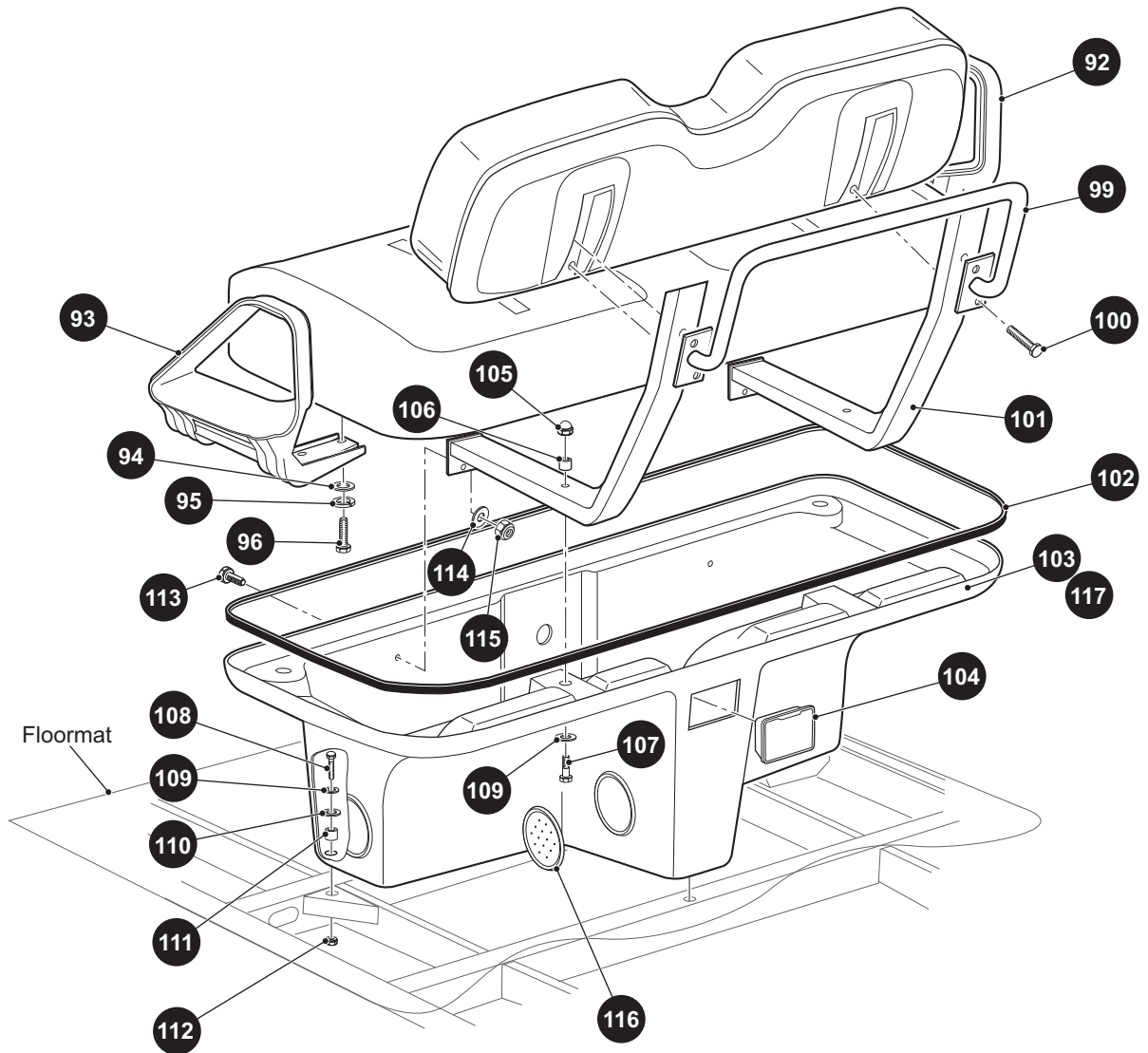


80 HANDRAIL KIT, FLIP FLOP SEAT includes items 81 - 86

87 HANDRAIL KIT, FLIP FLOP SEAT includes items 82 - 86, 88



91 SEAT BOTTOM ASSEMBLY includes items 92 - 96



When ordering parts, please specify the model and serial number of the product.

* Indicates a component that is not available as an individual part.

*** Indicates consult Customer Service Department for additional information.

ITEM	PART NO.	1 2 3 4 5	DESCRIPTION	QTY.
1	***		SEAT BACK ASSEMBLY (INCLUDES ITEMS 3 - 9) 71751G02 GRAY 71751G03 OYSTER 71751G04 TAN 71751G06 BROWN 71751G07 BLACK 604908 WHITE WITH BLUE 604907 WHITE WITH RED 606828 RED WITH BLACK	1
2				
3	*		FLAT STAPLE.....	95
4	71752G01		PLASTIC SEAT BACK COVER.....	1
5	76414G01		SEAT BACK (WOOD).....	1
6	01107G01		PAN HEAD TORX SCREW, #8 X .63" LG.....	4
7	607535		PAN HEAD TORX SCREW, #8 X .88" LG (FOR VEHICLES MANUFACTURED FROM MARCH 2014).....	4
8	71754G01		FOAM PADDING (SEAT BACK).....	1
9	***		VINYL SEAT BACK COVER..... 71753G02 GRAY 71753G03 OYSTER 71753G04 TAN 71753G06 BROWN 71753G07 BLACK 604916G0102 WHITE/BLUE 604916G0103 WHITE/RED 604916G0304 RED/BLACK	1
10				
11	00661G8		HEX HEAD BOLT, 1/4" - 20 X 1/2" LG.....	4
12	00664G7		LOCK WASHER, .255" X .263".....	4
13	615730		SEAT BACK SUPPORT.....	1

SEATING

When ordering parts, please specify the model and serial number of the product.

* Indicates a component that is not available as an individual part.

*** Indicates consult Customer Service Department for additional information.

ITEM	PART NO.	1 2 3 4 5	DESCRIPTION	QTY.
14	71204G01		HEX HEAD BOLT, 1/4" - 20 X 7/8" LG.....	8
15	71055G01		RIVET, 3/16" (NOT ILLUSTRATED).....	3
16				
17	***		SEAT BACK ASSEMBLY..... 71274G03 TAN 71274G04 GRAY 71274G05 OYSTER 71274G06 SPECIAL	1
18	605056		HEX HEAD BOLT, 1/4" - 20 X 1" LG.....	4
19				
20				
21	***		SEAT BOTTOM ASSEMBLY (INCLUDES ITEMS 22 - 36) 71611G03 GRAY 71611G05 OYSTER 71611G07 TAN 71611G09 SPECIAL 71611G16 BROWN 71611G17 BLACK 71611G35 RED ON BLACK 604902 WHITE WITH RED 604906 WHITE WITH BLUE	1
22	17074G1		RUBBER PAD	2
23	*		FLAT STAPLE	110
24	*		FLAT STAPLE	36
25	71012G01		VINYL TRIM (SEAT BOTTOM)	1
26	***		VINYL SEAT BOTTOM COVER 71602G02 GREY 71602G03 OYSTER 71602G04 TAN 71602G05 SPECIAL 71602G06 BLACK	1

When ordering parts, please specify the model and serial number of the product.

* Indicates a component that is not available as an individual part.

*** Indicates consult Customer Service Department for additional information.

ITEM	PART NO.	1 2 3 4 5	DESCRIPTION	QTY.
			71602G07 BROWN	
			604912G0103 WHITE ON RED	
			604912G0102 WHITE/BLUE	
27	71603G02		FOAM PADDING (SEAT BOTTOM)	1
28	76411G01		SEAT BOTTOM (WOOD)	1
29	71702G01		HIP RESTRAINT (DRIVER SIDE)	1
30	710701G01		HIP RESTRAINT (PASSENGER SIDE)	1
31	71204G01		HEX HEAD BOLT, 1/4" - 20 X 7/8" LG.....	8
32	71610G01		SEAT HINGE	2
33	00720G08		FLAT HEAD PHILLIPS SCREW, #12 -14 X 1" LG	6
34	629301		SEAT BOTTOM (WOOD) (FOR VEHICLES MANUFACTURED FROM MARCH 2014)	1
35	617644		HIP RESTRAINT (DRIVER SIDE) (FOR VEHICLES MANUFACTURED FROM MARCH 2014)	1
36	617645		HIP RESTRAINT (PASSENGER SIDE) (FOR VEHICLES MANUFACTURED FROM MARCH 2014)	1
37	***		SEAT BOTTOM ASSEMBLY (INCLUDES ITEMS 38 - 50).....	1
			74139G02 GRAY	
			74139G03 OYSTER	
			74139G04 TAN	
			74139G06 BROWN	
			74139G07 BLACK	
38	*		FLAT STAPLE.....	110
39	*		FLAT STAPLE.....	48
40	***		VINYL SEAT BOTTOM COVER	1
			71602G02 GRAY	
			71602G03 OYSTER	
			71602G04 TAN	
			71602G07 BROWN	
			71602G06 BLACK	
41	76417G01		SEAT BOTTOM (WOOD)	1
42	71603G02		FOAM PADDING (SEAT BOTTOM)	1

SEATING

When ordering parts, please specify the model and serial number of the product.

* Indicates a component that is not available as an individual part.

*** Indicates consult Customer Service Department for additional information.

ITEM	PART NO.	1	2	3	4	5	DESCRIPTION	QTY.
43	74140G01						VINYL TRIM FRONT.....	1
44	01110G01						FLAT WASHER (SS), 1/4"	8
45	00661G8						HEX HEAD BOLT, 1/4" - 20 X 1/2" LG	8
46	00664G7						LOCK WASHER, .255" X .263".....	8
47	71012G01						VINYL TRIM (SEAT BOTTOM)	1
48	71702G01						HIP RESTRAINT (DRIVER SIDE)	1
49	710701G01						HIP RESTRAINT (PASSENGER SIDE).....	1
50	600530						HEX HEAD BOLT, M10 - 1.5 X 24MM LG (FOR VEHICLES MANUFACTURED FROM MARCH 2014).....	8
51	605869						MOUNTING BRACKET (NOT ILLUSTRATED)	1
52	71204G01						HEX HEAD BOLT, 1/4" - 20 X 7/8" LG.....	12
53	71055G01						RIVET, 3/16" (NOT ILLUSTRATED).....	3
54								
55	***						REAR FACING SEAT BOTTOM (INCLUDES ITEMS 56 - 60).....	1
							621027 TAN	1
							621031 WHITE/BLUE	1
							621032 WHITE/RED	1
							621033 RED/BLACK	1
							621036 BLACK	1
							617895 GRAY	1
							617897 BROWN	1
56	617137						DECK BOARD ASSEMBLY	1
57	16705G1						TRUSS HEAD PHILLIPS SCREW (SS), 1/4" - 20 X 1" LG.....	5
58	617402						SEAT STRAP	1
59	00559G7						FLAT WASHER, 1/4".....	1
60	634190						DECK BOARD ASSEMBLY (FOR VEHICLES MANUFACTURED FROM MARCH 2014).....	1
61	634180						SEAT FRAME WELDMENT (FOR VEHICLES MANUFACTURED FROM MARCH 2014).....	1
62	615712						SEAT FRAME WELDMENT	1
63	615714						FOOTREST WELDMENT	1
64	615729						ARMREST, REAR SEAT	2

When ordering parts, please specify the model and serial number of the product.

* Indicates a component that is not available as an individual part.

*** Indicates consult Customer Service Department for additional information.

ITEM	PART NO.	1 2 3 4 5	DESCRIPTION	QTY.
65	615713		SEAT FRAME SUPPORT	2
66	615728		FOOTREST BRACKET (PASSENGER SIDE).....	1
67	615727		FOOTREST BRACKET (DRIVER SIDE)	1
68	01006G01		HEX HEAD BOLT, 3/8" - 16 X 1 1/4" LG	4
69	00427G4		HEX HEAD BOLT, 3/8" - 16 X 1 1/2" LG	6
70	00429G2		HEX HEAD BOLT, 3/8" - 16 X 3 1/4" LG	2
71	16705G9		TRUSS HEAD PHILLIPS SCREW (SS), 1/4" - 20 X 1 1/4" LG.....	4
72	614221		FLAT WASHER, 3/8"	32
73	01110G01		FLAT WASHER, 1/4"	4
74	11098G5		LOCK NUT, 3/8" - 16	14
75	11027G5		LOCK NUT, 3/8" - 16	4
76	14390G4		LOCK NUT, 1/4" - 20	4
77	19853G1		SQUARE CAP TUBE, 1"	2
78	00427G2		HEX HEAD BOLT, 3/8" - 49 X 1.25" LG (FOR VEHICLES MANUFACTURED FROM MARCH 2014).....	4
79				
80	617901		HANDRAIL KIT, FLIP FLOP SEAT (INCLUDES ITEMS 81 - 86).....	1
81	615721		FOOTREST HANDLE WELDMENT	1
82	19859G1		SQUARE CAP TUBE, 3/4"	2
83	610631		DECAL.....	1
84	00427G8		HEX HEAD BOLT, 3/8" - 16 X 2" LG.....	4
85	614221		FLAT WASHER, 3/8"	8
86	11098G5		LOCK NUT, 3/8" - 16	4
87	634184		HANDRAIL KIT, FLIP FLOP SEAT (INCLUDES ITEMS 82 - 86, 88) (FOR VEHICLES MANUFACTURED FROM MARCH 2014).....	1
88	631485		FOOTREST HANDLE WELDMENT	1
89				
90				
91	71888G**		SEAT BOTTOM (INCLUDES ITEMS 92 - 96) (SHUTTLE 4 & 6).....	1
92	71701G01		HIP RESTRAINT (PASSENGER SIDE)	1
93	71702G01		HIP RESTRAINT (DRIVER SIDE)	1
94	01110G01		FLAT WASHER (SS), 1/4"	8

SEATING

When ordering parts, please specify the model and serial number of the product.

* Indicates a component that is not available as an individual part.

*** Indicates consult Customer Service Department for additional information.

ITEM	PART NO.	1	2	3	4	5	DESCRIPTION	QTY.
95	00664G7						LOCK WASHER (SS), 1/4"	8
96	00415G2						HEX HEAD BOLT, 1/4" - 20 X 1 1/4" LG	8
97	634175						REAR SEAT ARM REST (FOR VEHICLES MANUFACTURED FROM MARCH 2014)	2
98	634179						FOOTREST WELDMENT (FOR VEHICLES MANUFACTURED FROM MARCH 2014)	1
99	71632G01						HAND GRIP WELDMENT	1
100	71204G02						HEX HEAD BOLT, 1/4" - 20 X 2" LG.....	4
101	626576						SEAT BACK SUPPORT WELDMENT	2
102	32805G6						TRIM (BLACK).....	1
103	70836G0XX						SEAT POD (see COLOR CODES in HOW TO USE section).....	1
104	27731G01						ASHTRAY	1
105	15717G5						ACORN NUT, 3/8" - 16	2
106	23726G4						SPACER, 5/16"	2
107	00427G8						HEX HEAD BOLT, 3/8" - 16 X 2" LG.....	2
108	00439G8						HEX HEAD BOLT, 5/16" - 18 X 2" LG.....	3
109	00675G1						FLAT WASHER (SS), 3/8"	5
110	71883G01						RUBBER WASHER, 5/8"	3
111	23726G9						SPACER, 3/4"	3
112	11098G6						LOCK NUT (SS), 5/16" - 18.....	3
113	00976G06						TRUSS HEAD PHILLIPS SCREW (SS), 5/16" - 18 X 3/4" LG	2
114	01110G01						FLAT WASHER (SS), 1/4"	2
115	11098G6						LOCK NUT (SS), 1/4" - 20.....	2
116	71599G01						VENT PLUG	4
117	620216G0XX						SEAT POD (see COLOR CODES in HOW TO USE section) (FOR VEHICLES MANUFACTURED FROM MARCH 2014)	1
118								
119	***						FLIP FLOP SEAT BOTTOM ASSEMBLY (INCLUDES ITEMS 56 - 59, 120) (FOR VEHICLES MANUFACTURED FROM MARCH 2014)	1
							628058G01 OYSTER	
							628058G03 TAN	
							628058G04 GRAY	
							628058G06 BLACK	
							628058G07 BROWN	
							628058G09 WHITE/BLUE	

When ordering parts, please specify the model and serial number of the product.

* Indicates a component that is not available as an individual part.

*** Indicates consult Customer Service Department for additional information.

ITEM	PART NO.	1	2	3	4	5	DESCRIPTION	QTY.
120	***	628058G10					RED/BLACK	
		628058G11					WHITE/RED	
		628058G12					WHITE/BLACK	
		628058G13					WHITE/YELLOW	
		628058G14					GRAY/BLACK	
		628058G15					OYSTER/GARNET	
							FLIP FLOP VINYL SEAT BOTTOM COVER	1
		617892					GRAY	
		617893					BROWN	
		615646					OYSTER	
		615647					TAN	
		611125					WHITE/BLUE	
		611126					WHITE/RED	
		615648					BLACK	
		611127					WHITE/YELLOW	
		611137					GRAY/BLACK	
		611130					WHITE/BLACK	
		611135					RED/BLACK	
		611136					WHITE/BLACK	
121	***						SEAT BACK ASSEMBLY (INCLUDES ITEMS 3 - 9, 122 & 123) (FOR VEHICLES MANUFACTURED FROM MARCH 2014)	1
		620794					WHITE/YELLOW	
		620796					GRAY/BLACK	
		615838					WHITE/BLACK	
		615837					OYSTER/GARNET	
122	634178						SEAT BACK SUPPORT	1
123	***						VINYL SEAT BACK COVER.....	1
		604916G0704					GRAY/BLACK	
		604916G0108					WHITE/YELLOW	
		604916G0304					RED/BLACK	
		604916G0104					WHITE/BLACK	
		604916G0506					OYSTER/GARNET	
124								
125	***						SEAT BOTTOM ASSEMBLY (INCLUDES ITEMS 22 - 36, 126) (FOR VEHICLES MANUFACTURED FROM MARCH 2014).....	1
		620798					WHITE/YELLOW	
		620801					GRAY/BLACK	
126	***						VINYL SEAT BOTTOM COVER	1
		604912G0108					WHITE/YELLOW	
		604912G0704					GRAY/BLACK	
		604912G0304					RED/BLACK	
		604912G0104					WHITE/BLACK	
		604912G0506					OYSTER/GARNET	
127								

SEATING

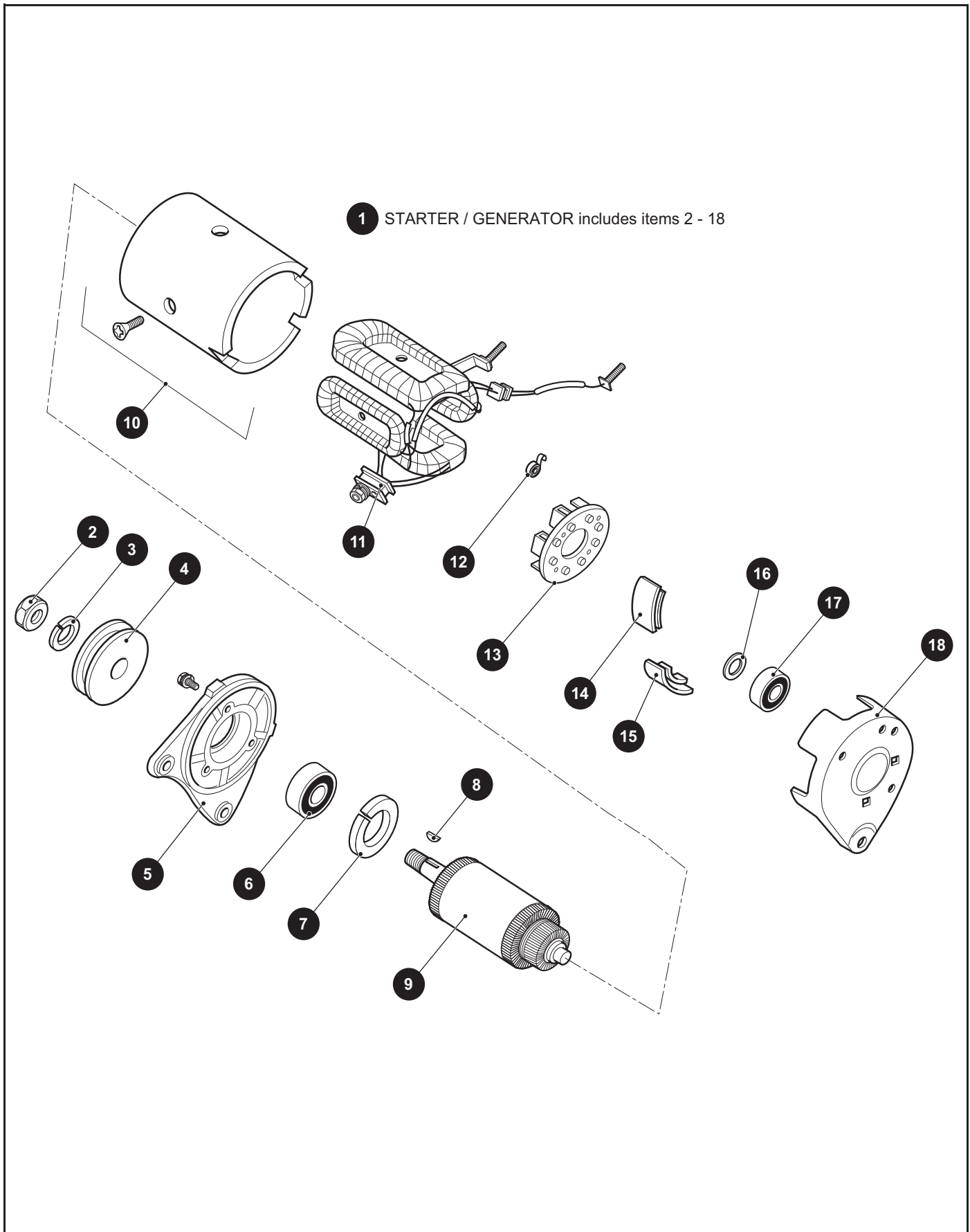
When ordering parts, please specify the model and serial number of the product.

* Indicates a component that is not available as an individual part.

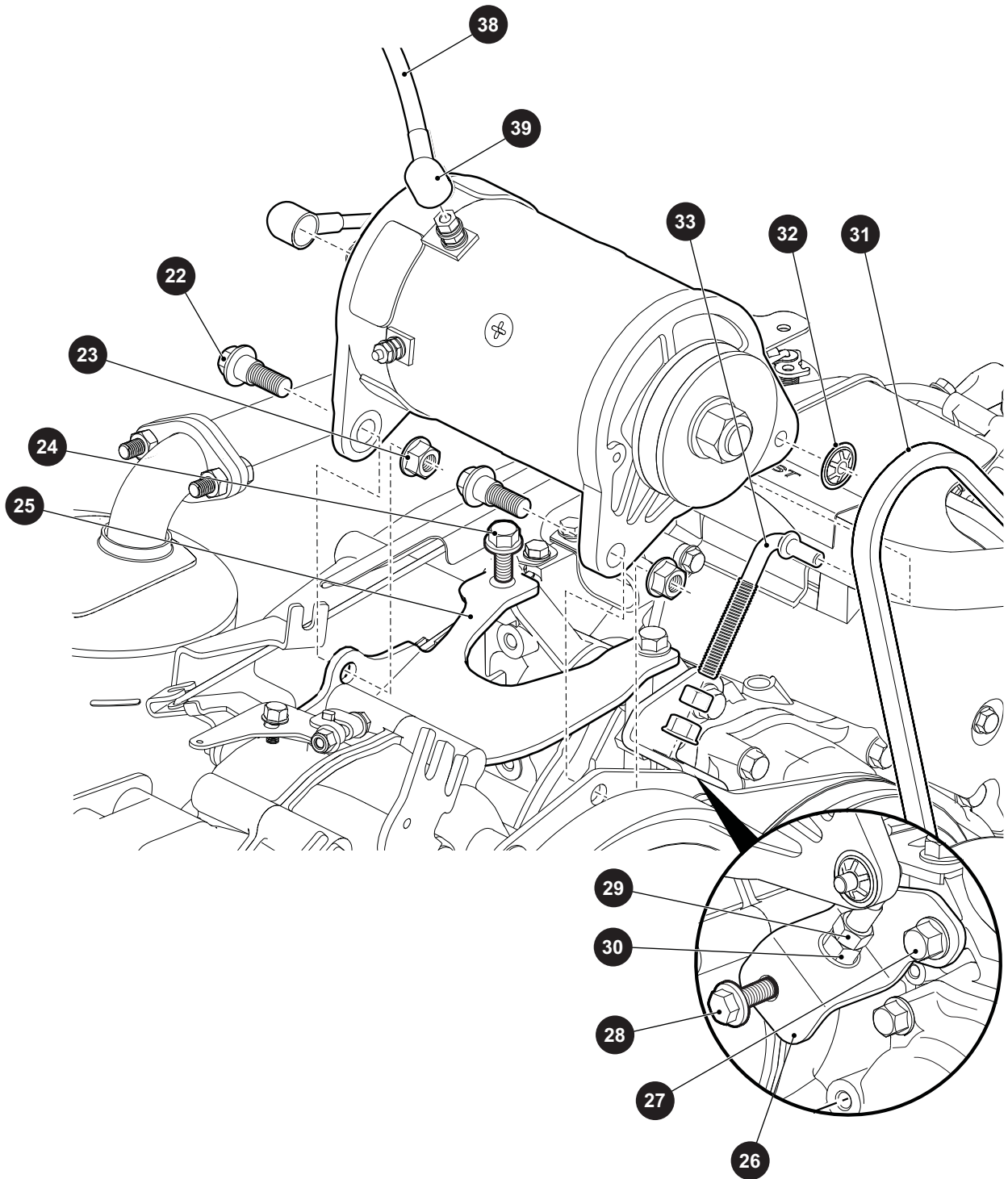
*** Indicates consult Customer Service Department for additional information.

ITEM	PART NO.	1	2	3	4	5	DESCRIPTION	QTY.
128								
129								
130								
131								
132								
133	634174						SEAT FRAME SUPPORT (FOR VEHICLES MANUFACTURED FROM MARCH 2014)	1
134	00427G6						HEX HEAD BOLT, 3/8" - 16 X 1 1/4" LG (FOR VEHICLES MANUFACTURED FROM MARCH 2014)	2

STARTER GENERATOR

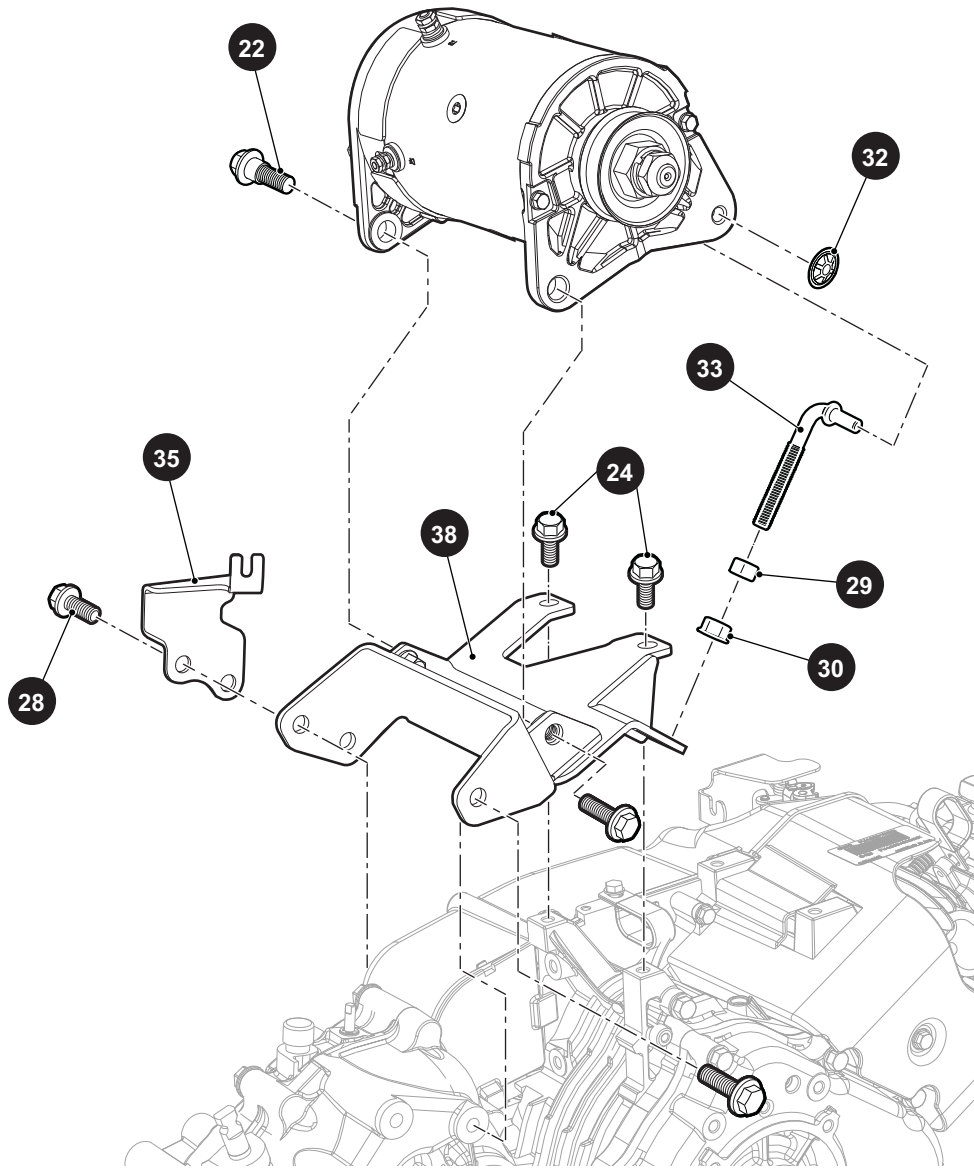


STARTER GENERATOR



STARTER GENERATOR

FOR VEHICLES MANUFACTURED FROM APRIL 2014



STARTER GENERATOR

When ordering parts, please specify the model and serial number of the product.

* Indicates a component that is not available as an individual part.

*** Indicates consult Customer Service Department for additional information.

ITEM	PART NO.	1 2 3 4 5	DESCRIPTION	QTY.
1	625715		STARTER / GENERATOR (INCLUDES ITEMS 2 - 18)	1
2	612029		HEX NUT	1
3	612030		LOCKWASHER	1
4	625716		PULLEY	1
5	612032		FRONT COVER	1
6	612033		BEARING	1
7	612034		RETAINING RING	1
8	612035		KEY	1
9	612036		ARMATURE ASSEMBLY	1
10	612037		FRAME & FIELD ASSEMBLY	1
11	612038		BRUSH LEAD & TERMINAL SERVICE PKG.....	1
12	612039		BRUSH SPRING	4
13	612040		BRUSH BOX ASSEMBLY	1
14	612041		BRUSH 1 COVER	3
15	612042		BRUSH 2 COVER	2
16	612043		WAVY WASHER.....	1
17	612044		BEARING	1
18	612045		REAR COVER.....	1
19				
20				
21				
22	606235		HEX HEAD SHOULDER BOLT, M10 - 1.25 X 20	2
23	606279		HEX NUT, M10 - 1.25.....	2
24	606261		HEX HEAD BOLT, M8 - 1.25 X 20MM LG.....	3
25	602141		STARTER / GENERATOR BRACKET	1
26	602145		TENSIONER BRACKET	1
27	606261		HEX HEAD BOLT, M8 - 1.25 X 20MM LG.....	1
28	606256		HEX HEAD BOLT, M10 - 1.25 X 25MM LG.....	1
29	606255		HEX JAM NUT, M10 - 1.25	1
30	606274		HEX FLANGE NUT, M10 - 1.25	1

STARTER GENERATOR

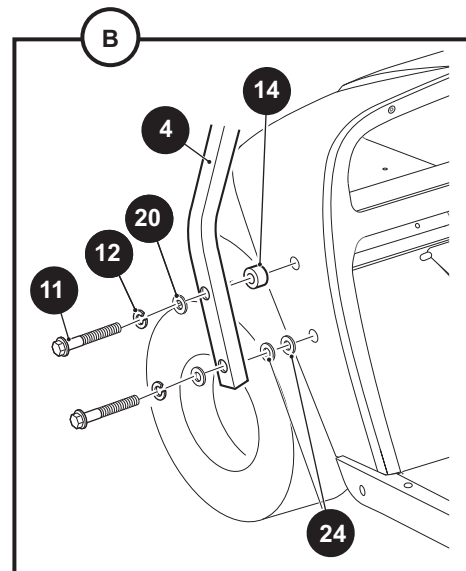
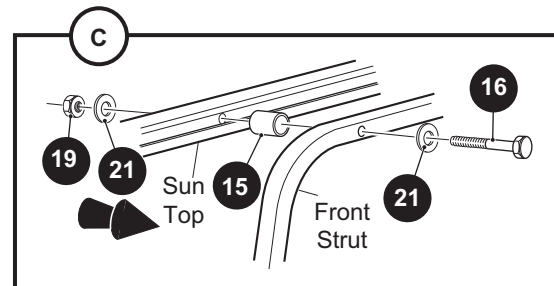
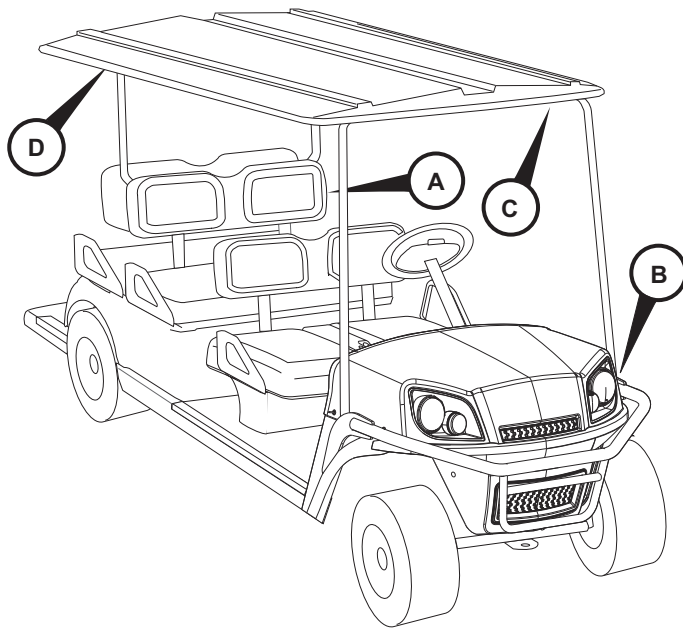
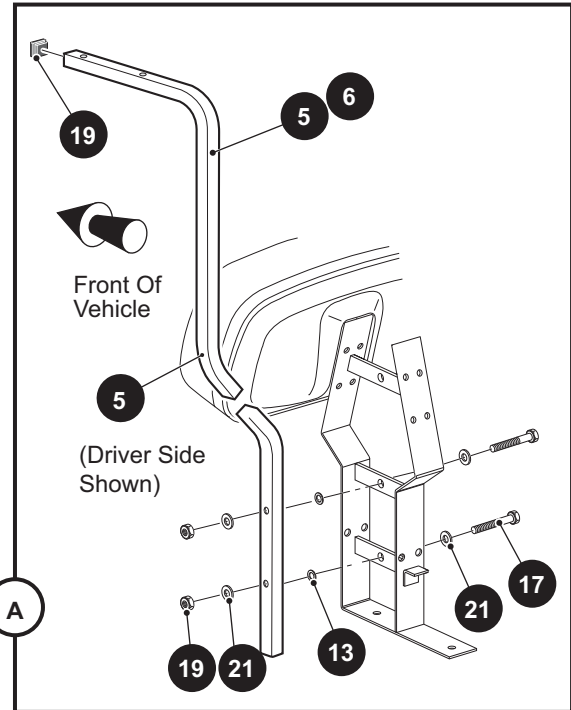
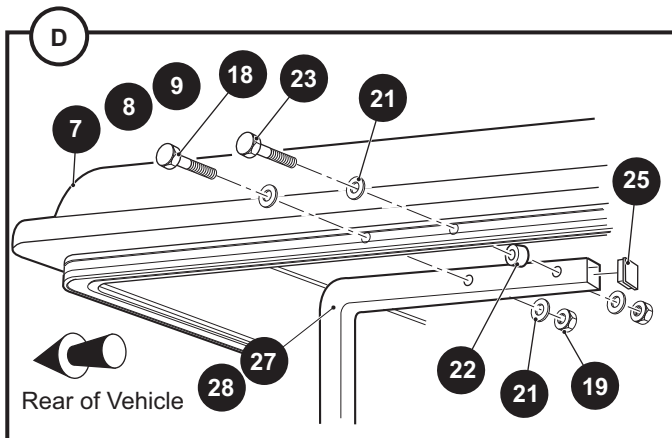
When ordering parts, please specify the model and serial number of the product.

* Indicates a component that is not available as an individual part.

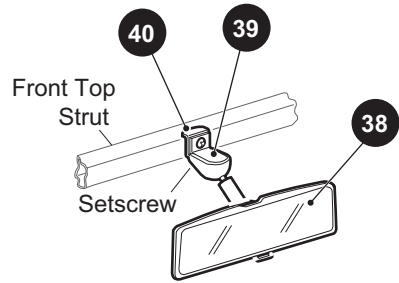
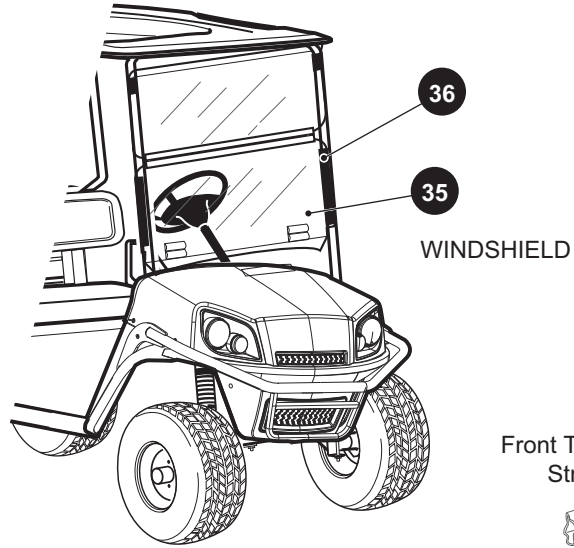
*** Indicates consult Customer Service Department for additional information.

ITEM	PART NO.	1 2 3 4 5	DESCRIPTION	QTY.
31	630587		STARTER / GENERATOR BELT	1
32	12064G6		PUSH NUT, 5/16"	1
33	629763		TENSIONER BOLT	1
34				
35	603884		BRACKET (GUIDE CABLE)	1
36	631972		STARTER / GENERATOR SUPPORT BRACKET (FOR VEHICLES MANUFACTURED FROM APRIL 2014)	1
37				
38	607103		WIRE ASSEMBLY, 6 AWG, 42" LG	1
39	25682G01		RUBBER BOOT	3

WEATHER PROTECTION

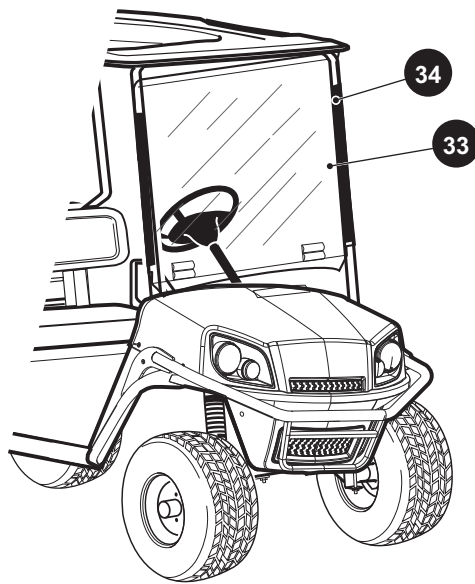


- 1 SUN TOP KIT BLACK includes items 4 - 6, 7, 10 - 25
- 2 SUN TOP KIT WHITE includes items 4 - 6, 8, 10 - 25
- 3 SUN TOP KIT BEIGE includes items 4 - 6, 9, 10 - 25
- 10 SUN TOP HARDWARE KIT includes items 11 - 25
- 29 SUN TOP KIT WHITE includes items 4, 8, 10 - 28
- 30 SUN TOP KIT BLACK includes items 4, 7, 10 - 28
- 31 SUN TOP KIT BEIGE includes items 4, 9, 10 - 28



37 REAR VIEW MIRROR KIT includes items 38 - 40

REAR VIEW MIRROR



WINDSHIELD

WEATHER PROTECTION

When ordering parts, please specify the model and serial number of the product.

* Indicates a component that is not available as an individual part.

*** Indicates consult Customer Service Department for additional information.

ITEM	PART NO.	1 2 3 4 5	DESCRIPTION	QTY.
1	610266		SUN TOP KIT, BLACK (INCLUDES ITEMS 4 - 6, 7, 10 - 25).....	1
2	610268		SUN TOP KIT, WHITE (INCLUDES ITEMS 4 - 6, 8, 10 - 25).....	1
3	610267		SUN TOP KIT, BEIGE (INCLUDES ITEMS 4 - 6, 9 - 25)	1
4	610260		FRONT SUPPORT	1
5	602743		REAR SUPPORT (DRIVER SIDE)	1
6	602741		REAR SUPPORT (PASSENGER SIDE).....	1
7	610263		SUN TOP, BLACK.....	1
8	610264		SUN TOP, WHITE	1
9	610264		SUN TOP, BEIGE	
10	610259		SUN TOP HARDWARE KIT (INCLUDES ITEMS 11 - 25)	1
11	00440G2		HEX HEAD BOLT, 5/16" - 18 X 2 1/4" LG.....	2
12	00565G8		LOCK WASHER, 5/16"	4
13	00771G5		NYLON WASHER, 3/8"	4
14	75048G01		SPACER, 1/2"	2
15	18716G1		ALUMINIUM SPACER, 3" LG.....	2
16	00674G8		HEX HEAD BOLT (SS), 3/8" - 16 X 5" LG	2
17	00665G5		HEX HEAD BOLT, 3/8" - 16 X 1 3/4" LG.....	4
18	00665G6		HEX HEAD BOLT, 3/8" - 16 X 2" LG.....	2
19	00891G5		LOCK NUT, 3/8" - 16	10
20	00559G8		FLAT WASHER 5/16", BLACK	4
21	00653G1		FLAT WASHER (SS), 5/8"	20
22	24647G1		SPACER, 1/4" THICK	2
23	00665G3		HEX HEAD BOLT, 3/8" - 16 X 2 1/2" LG.....	4
24	00879G1		LOCK WASHER, 3/8"	4
25	19853-G1		END CAP, 1"	2
26				
27	611701		REAR SUPPORT (SHUTTLE 2)	2
28	611700		CROSS REAR SUPPORT (SHUTTLE 2)	1
29	611702		SUN TOP KIT, WHITE (INCLUDES ITEMS 4, 8, 10 - 28)	1
30	611707		SUN TOP KIT, BLACK (INCLUDES ITEMS 4, 7, 10 - 28)	1
31	611706		SUN TOP KIT, BEIGE (INCLUDES ITEMS 4, 9, 10 - 28).....	1

WEATHER PROTECTION

When ordering parts, please specify the model and serial number of the product.

* Indicates a component that is not available as an individual part.

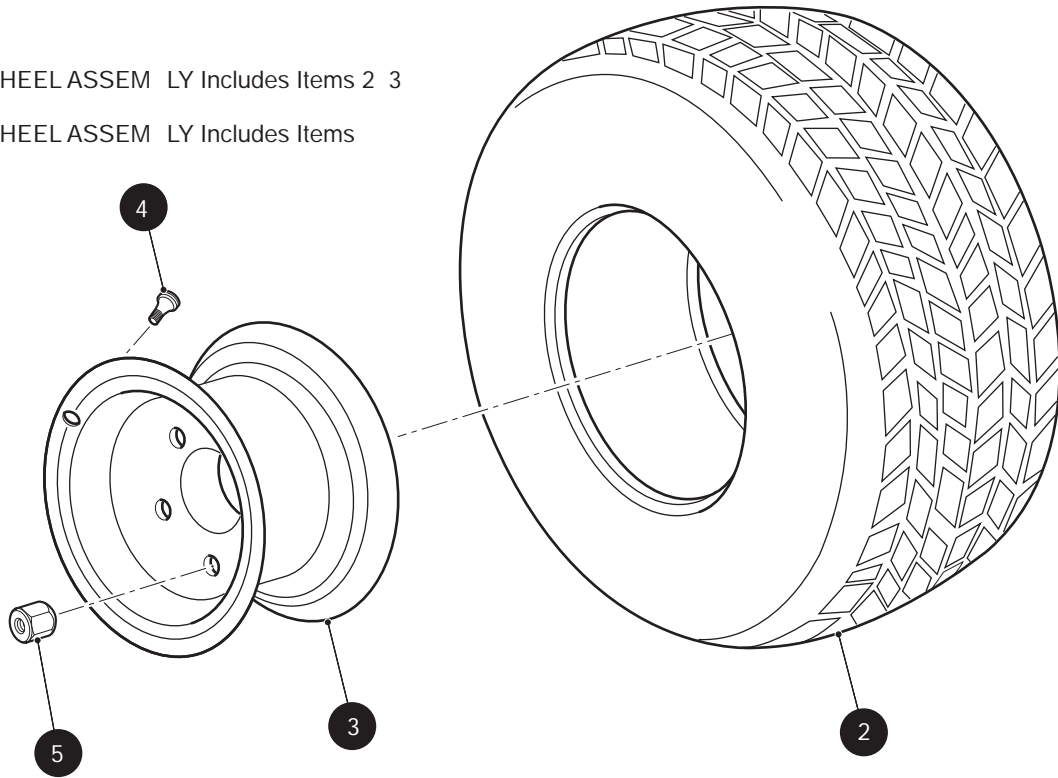
*** Indicates consult Customer Service Department for additional information.

ITEM	PART NO.	1 2 3 4 5	DESCRIPTION	QTY.
32				
33	611099		WINDSHIELD KIT	1
34	615662		SASH, 26"	2
35	611100		WINDSHIELD KIT	1
36	615661		SASH, 12"	2
37	19528G2		REAR VIEW MIRROR KIT (INCLUDES ITEMS 38 - 40)	1
38	19496G1		REAR VIEW MIRROR	1
39	19502G2		SUPPORT BRACKET	1
40	19527G1		HEX HEAD BOLT (SS), # 8 - 32 X 5/8" LG	1

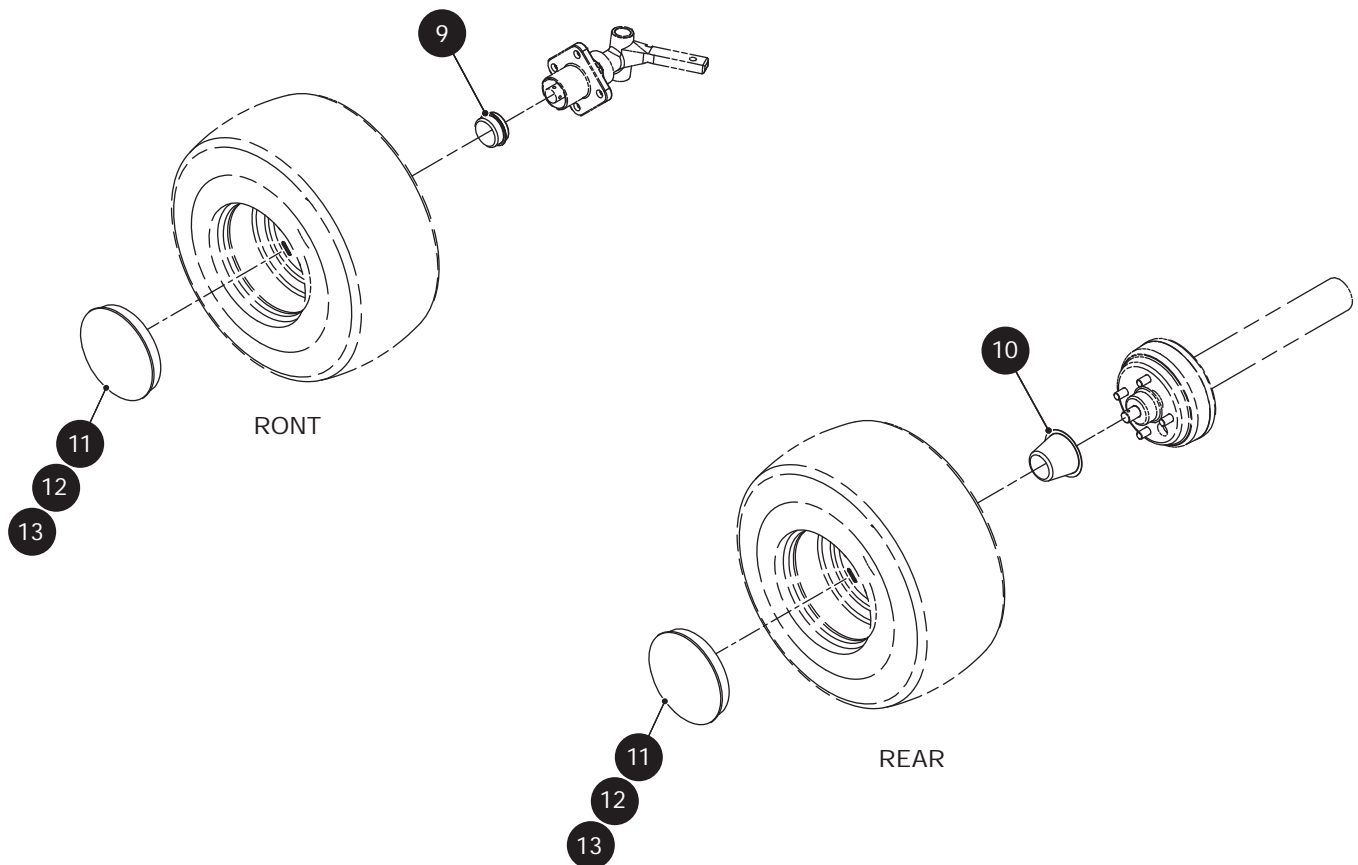
WHEELS AND TIRES

1 TIRE AND WHEEL ASSEMBLY Includes Items 2 3

2 TIRE AND WHEEL ASSEMBLY Includes Items



Steel tire mounting



WHEELS AND TIRES

When ordering parts, please specify the model and serial number of the product.

* Indicates a component that is not available as an individual part.

*** Indicates consult Customer Service Department for additional information.

ITEM	PART NO.	1 2 3 4 5	DESCRIPTION	QTY.
1	612772		TIRE AND WHEEL ASSEMBLY (INCLUDES ITEMS 2, 3, 4).....	AR
2	612771		KENDA TIRE	1
3	612770		WHEEL RIM	1
4	11657G2		VALVE STEM.....	1
5	14723G1		LUG NUT, 1/2 - 20.....	AR
6	28842-G01		TIRE AND WHEEL ASSEMBLY (INCLUDES ITEMS 4, 7 AND 8)	1
7	28764-G06		TRAIL TIRE	1
8	28759-G01		WHEEL RIM	1
9	12091-G2		SPINDLE CAP	2
10	74175-G01		MOLDED DUST CAP.....	2
11	16042-G1		6"CHROME E-Z-GO WHEEL COVER.....	4
12	615618		HUB CAP SILVER.....	4
13	615617		HUB CAP GOLD	4



CUSHMAN™

E-Z-GO Division of Textron Inc.,
1451 Marvin Griffin Road, Augusta, Georgia 30906 - 3852 USA

TO CONTACT US...

North America:

Technical Assistance & Warranty Phone: 1-800-774-3946, FAX: 1-800-448-8124

Service Parts Phone: 1-888-GET-E-Z-GO (1-888-438-3946), FAX: 1-800-752-6175

International: Phone: 001-706-798-4311, FAX: 001-706-771-4609

Service Parts Manuals, as well as Repair and Service Manuals
are available from a local Distributor, an authorized Branch,
Genuine E-Z-GO Parts & Accessories Department or at www.shopezgo.com.

Copyrighted Material
This manual may not be reproduced in whole or
in part without the express permission of
E-Z-GO Division of Textron Inc.
Technical Communications Department