


Pro line


Gavita Pro 1700^e LED


1 Introduction

Thank you for purchasing the Gavita Pro 1700^e LED. This manual describes the mounting and installing of the product and also describes how to use the product. Mounting and installing of the LED fixture may only be executed by certified service personnel. Please read and understand this manual completely before using the product. Only use the product as specified in this manual.


1.1 Used Symbols


 **Warning!** A warning indicates severe damage to the user and/or product may occur when a procedure is not carried out as described.


 **Caution!** A caution sign indicates problems may occur if a procedure is not carried out as described. It may also serve as a reminder to the user.


 **Note:** A note gives additional information, e.g. for a procedure.

 This symbol is an internationally recognized symbol used to designate recyclable materials.

 This symbol is a certification mark employed on electronic products manufactured or sold in the United States which certifies that the electromagnetic interference from the device is under limits approved by the Federal Communications Commission.

 This symbol shows that a product has been independently tested and certified to meet recognized standards for safety.

 The symbol on the material, accessories or packaging indicates that this product may not be discarded as household waste. By properly disposing the equipment, you will be helping to prevent possible risks to the environment and public health, which might otherwise be caused by improper handling of the discarded equipment. Recycling of materials contributes to the conservation of natural resources. Therefore, please do not dispose of old electronics and electrical appliances via household waste.

 This symbol indicates the minimum distance (B) between the LED fixture (A) and the lit surface.

2 Product description

The Gavita Pro 1700^e LED is an electronic horticultural LED fixture. It drives eight LED rails. The Gavita Pro 1700^e LED is intended to be used in greenhouses or in climate rooms. In this manual, the Gavita Pro 1700^e LED will be referred to as: "the LED fixture".

3 Product information and specifications

3.1 General product information

Product name	Gavita Pro 1700 ^e LED 120-277 V	Gavita Pro 1700 ^e LED 347 V
Manufacturer	Hawthorne Gardening Company	
Part number	906056	906057
UPC	849969033397	849969033403
Plug type (sold separately)	NEMA 5-15P / NEMA 6-15P / Open end cable	L24-20P

3.2 Technical specifications

Product name	Gavita Pro 1700 ^e LED 120-277 V	Gavita Pro 1700 ^e LED 347 V
Input voltage +/-10%	120 - 277 V	347 V
Input wattage +/-3%	630 W	630 W
Input current at 100%	5.3 A - 2.3 A	2 A
Power factor	>99%	
Product weight	28.4 lbs / 12.9 kg	
Dimensions (LxWxH)	44.1 x 43.7 x 2.3 in / 112 x 111 x 5.8 cm	
Max ambient temperature	40° C	
Frequency	50/60 Hz	
Certification standards	Conforms to ANSI/UL STD 1598 and Certified to CSA STD C22.2 No. 250.0 (Horticultural Luminaire as defined in the Outline of Investigation Horticultural Lighting Equipment [UL SUBJECT 8800:2017 Ed.1])	
Power inlet	Wieland RST 16i5 connector	
External dim:	Gavita Master controller analog protocol (0-11.5V)	
External control signal:	RJ connector (6P4C + 6P6C)	
Environment	This product can be used in wet environments	

3.3 Compatible products and accessories

Product	Product name	Gavita part number
Controllers <i>Unit will function with Gen 1 EL1, EL2</i>	Gavita EL1 Master controller	906120
	Gavita EL2 Master controller	906121
E-series Adapter	Gavita E-series Adapter for 1700 ^e LED	906151
Power cords	Gavita Cable 120 Volt for 1700 ^e LED	906147
	Gavita Cable 208-240 Volt for 1700 ^e LED	906148
	Gavita Cable 277 Volt for 1700 ^e LED	906149
Interconnect cables	Gavita E-Series LED Adapter Interconnect Cable 2.5ft RJ45 to RJ45	906710
	Gavita E-Series LED Adapter Interconnect Cable 10ft RJ45 to RJ45	906711
	Gavita E-Series LED Adapter Interconnect Cable 10ft RJ45 to RJ14	906713
	Gavita E-Series LED Adapter Interconnect Cable 6ft RJ45 to RJ9	906715
	Gavita E-Series LED Adapter Interconnect Cable 10ft RJ45 to RJ9	906716
	Gavita E-Series LED Adapter Interconnect Cable 25ft RJ45 to RJ9	906717
	3 way RJ45 cable splitter	906721
Sun Grips	Sun Grip Original Light Hangers 1/8 in - Black	710123

3.4 Environment

The product is intended to be used in greenhouses and climate rooms. The product can be used in wet environments. The product may not be used outdoors. The Gavita Pro 1700^e LED functions optimal when the max ambient temperature is between 68 ~ 86° F / 20 ~ 35° C.

3.5 Legal

This device complies with Part 18 of the FCC Rules, designated as Class A. For Non-consumer use only. Conforms to ANSI/UL STD 1598 and Certified to CSA STD C22.2 No. 250.0.

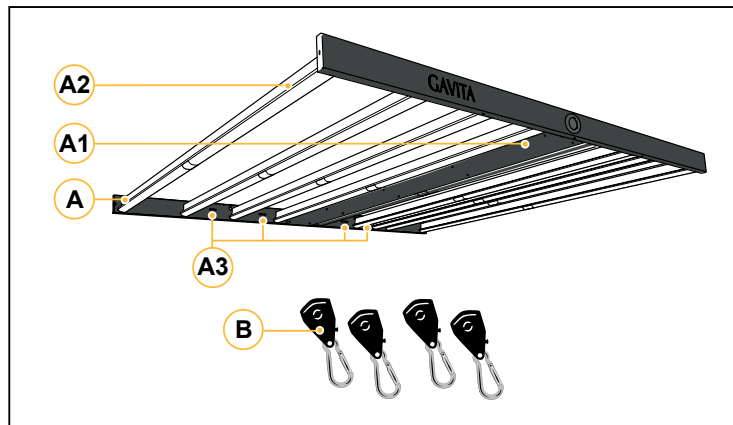
4 Safety recommendations and warnings

▲ Warning! Carefully read the warnings below before using or working with the product!

- Always adhere to the local rules and regulations when installing or using the LED fixture.
- Do not open or disassemble the LED fixture, it contains no serviceable parts inside. Opening or modifying the LED fixture can be dangerous and will void the warranty.
- This product may cause interference to radio equipment and should not be installed near maritime safety communications equipment or other critical navigation or communication equipment operating between 0.45 - 30 MHz.
- Do not use the LED fixture when either the LED fixture or its power cord are damaged. Replace the power cord only with original certified cords.
- Modifications to the cords can lead to unwanted electromagnetic effects, which makes the product not comply with legal requirements.
- Do not expose the LED fixture to:
 - condensing humidity, heavy mist, fog or direct spray;
 - (ambient) temperatures outside the specified range;
 - dust and contamination;
 - direct sunlight during use or HID light that could heat up the ballast.
- Always disconnect the LED fixture from mains before performing any maintenance.
- Always allow for a cool down period of at least 30 minutes before touching the LED rails. Touching the LED rails when the fixture is lit or immediately afterwards can result in severe burns!
- Do not use the LED fixture near flammable, explosive or reactive substances. Do not use sulfur vaporizers or water misters.
- The installation and use of the LED fixture is the responsibility of the end user. Incorrect use or installation can lead to failure and damage to the LED fixture. Damage to the LED fixture and electronic circuitry as a result of incorrect installation and use revokes the warranty.

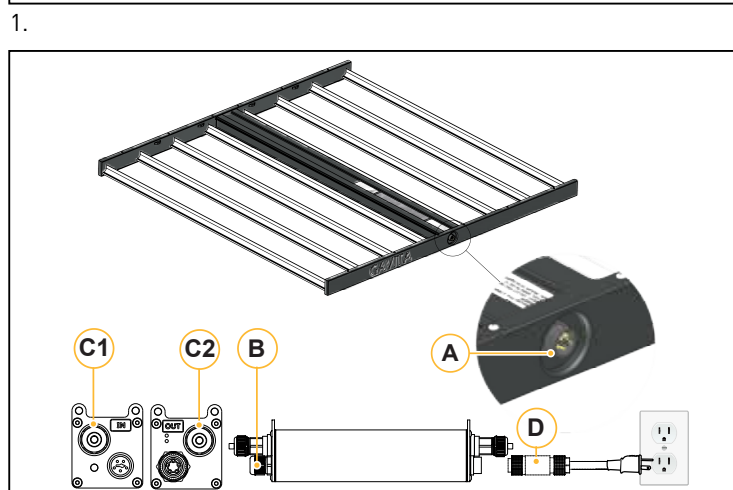
5 Contents (1)

- A. Gavita Pro 1700^e LED
 1. LED drivers
 2. LED rails
 3. Mounting points
- B. Sun Grip light hangers (4x)
- (Power cord sold separately).*



6 Controls, connections and indications (2)

- A. Wieland RST 16i5 male connector
 B. Wieland RST 16i5 male connector
 C. Gavita 2xRJ connector
 1. RJ IN
 2. RJ OUT
 D. Wieland RST 16i5 female connector



2.

7 Installation

⚠ Warning! Mounting and installing of the LED fixture may only be executed by certified service personnel, in accordance with the applicable local laws and regulations.

⚠ Warning! The installer is responsible for correct and safe installation.

⚠ Warning! Ensure the local cabling can support the voltage and current requirements of the LED fixture.

⚠ Warning! Avoid coiled cords and keep mains leads separated. This prevents electromagnetic interference.

⚠ Warning! Do not connect or disconnect the LED fixture under load.

7.1 Installation preparations

⚠ Warning! Mount the system to something that can hold the weight of the LED fixture.

- Switch off mains power.
- Install the Sun Grip light hangers (B).
- Distribute the fixture weight evenly so fixture hangs level (fig. 3). Sun Grip light hangers allow the LED fixture to easily move upwards and downwards (fig. 4) according to your crop height. (fig. 5)
- Make sure power cords:
 - 1) Are not concealed or extended through a wall, floor, ceiling, or other parts of the building structures
 - 2) Are not located above a suspended ceiling or dropped ceiling.
 - 3) Are not permanently affixed to the building structure.
 - 4) Are routed so that they are not subject to strain and are protected from physical damage.
 - 5) Are visible over their entire length.
 - 6) Are used within their rated ampacity as a determined for the maximum temperature of the installed environment specified in the instructions.

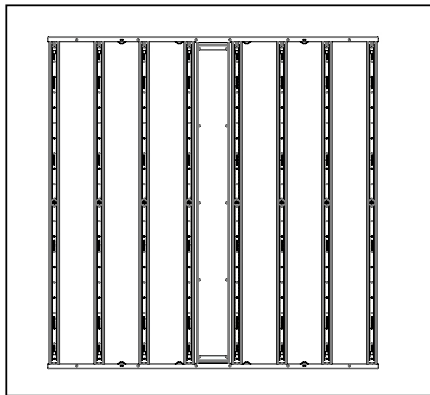
7.2 Installing the LED fixture

- Hang the LED fixture to the mounting system.

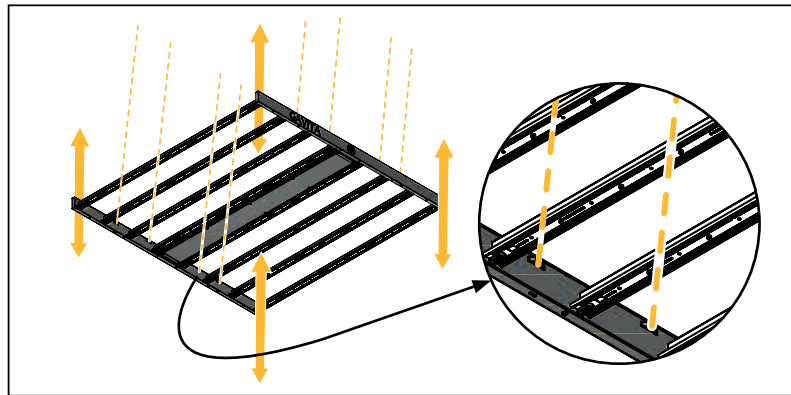
⚠ Caution! Always hang the LED fixture horizontally.

- If you use the LED fixture as a stand alone, continue at paragraph 7.7.
- If you do use a Master Controller, connect the E-series adapter to the LED fixture (fig. 6) and continue at paragraph 7.3.

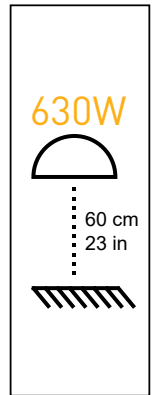
To install other LED fixtures, repeat the steps at paragraph 7.1 and 7.2.



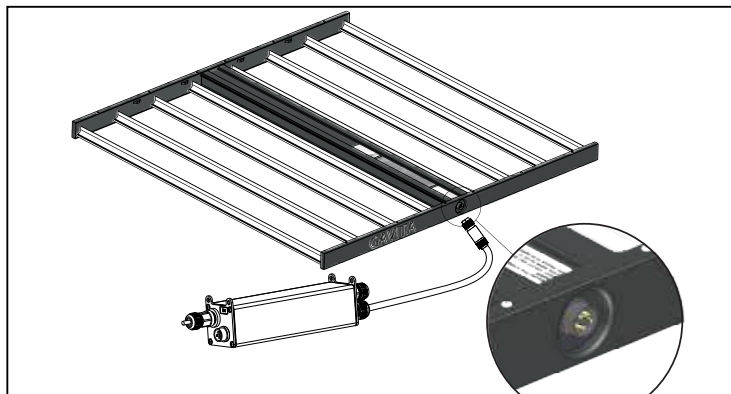
3.



4.



5.



6.

7.3 Contents of the repeater bus connection kit ***Not included. Sold separately.**

The E-series adapter interconnect kit contains the following items:

906712: 1) 1x 80ft interconnect cable.
2) 6x RJ45 terminal connectors.

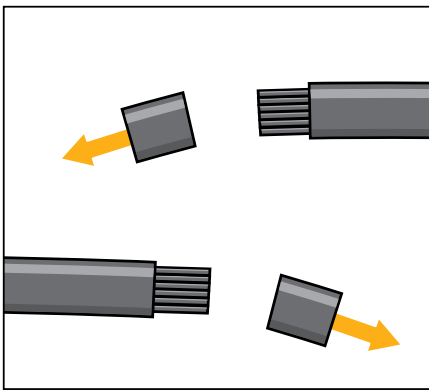
906714: 1) 1x 80ft interconnect cable.
2) 3x RJ45 + 3x RJ14 terminal connectors.

OPTIONAL: 906721: Interconnect cable, 3 way splitter.
906720: Interconnect cable, crimper.

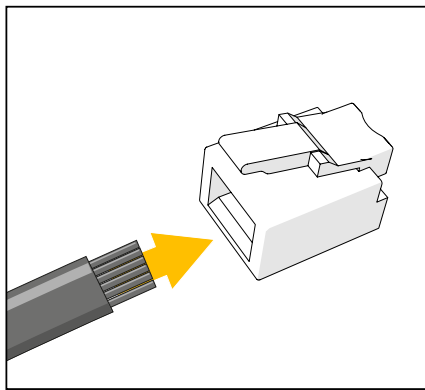
7.4 Preparation for use with a controller

Using a daisy chain setup, a maximum of 100 LED fixtures can be connected to one controller. Up to 500 LED fixtures per daisy chain can be connected when using splitters. See section 7.4 and 7.5 of this manual and the manual of the controller.

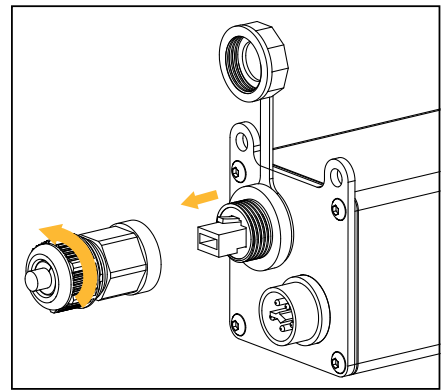
- Take the unstripped interconnect cable.
- Cut the cable to the desired length and strip both ends using a crimper tool (product #906720) (fig. 7).
- Insert the cable end in the RJ connectors (fig. 8) and use the crimper tool to finish the assembly.



7.



8.

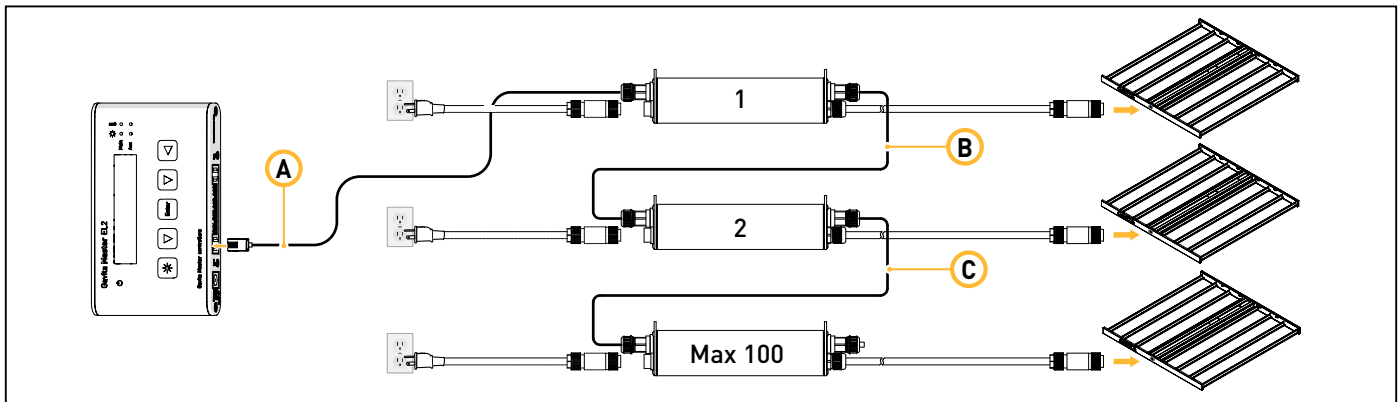


9.

7.5 Connecting up to 100 LED fixtures

- Remove the dummy plug from the input port on the first LED adapter (fig. 9).
- **Note: Keep the dummy in a safe place!** The dummy is necessary to operate the LED fixture in standalone mode.
- Use the black controller cable (RJ45 to RJ9) to connect the controller input port on the first LED adapter (fig. 10A).
- Remove the dummy from the input port on the second LED adapter.
- Use interconnect cable (RJ45-RJ45) to connect the output port of the first LED fixture adapter to the input port of the second LED fixture adapter (fig. 10B).
- Repeat these steps to connect up to 100 LED fixtures (fig. 10C).

Warning! Ensure the power cord and the controller cables do not touch any of the LED rails.



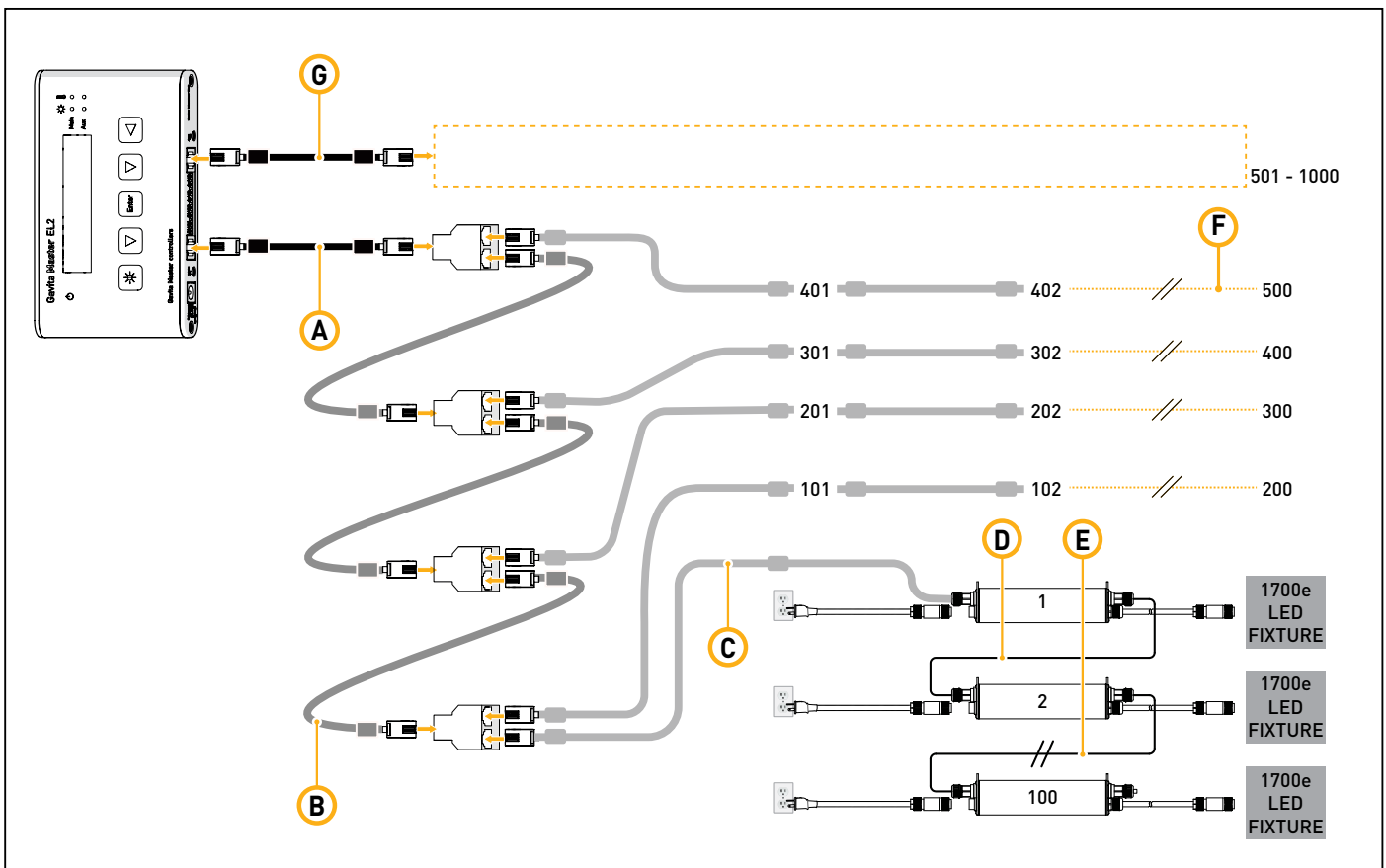
10.

7.6 Connecting up to 500 or 1000 LED fixtures

Using a setup with daisy chained splitters, up to 500 LED fixtures on EL1 and 1000 LED fixtures on EL2 (over two channels) can be connected as shown in fig.12.

- Use the controller cable (RJ45-RJ9) to connect the primary channel of the controller to the input port of the first splitter (fig. 12A).
- Remove the dummy from the input port of the LED adapter (fig. 10).
- ⓘ **Note: Keep the dummy in a safe place!** The dummy is necessary to operate the LED fixture in standalone mode.
- Use a RJ45-RJ45 modular jack interconnect cable (item C) to connect the output port of the splitter to the input port of the first LED fixture adapter (fig. 12C).
- Use a RJ45-RJ45 modular jack interconnect cable (item C) to connect the output port of the first LED adapter to the input port of the second (fig. 12D).
- Repeat these steps to connect up to 100 LED fixtures per splitter output port (fig. 12E). Up to 500 LED fixtures can be connected to the primary channel.
- Use RJ45-RJ45 modular jack interconnect cables (item C) to connect the outport of a splitter to the input port of the next (fig. 12F).
- Use the secondary channel (fig.12G) to connect another 500 LED fixtures, in the same way the LED fixtures are connected to the primary channel.

- ⚠ **Warning!** Ensure the power cord and the controller cables do not touch the LED fixture.
- ⚠ **Warning!** Distribute number of LED fixtures evenly over daisy chains.
- ⚠ **Warning!** Ensure the repeater bus connections are integrated in a correctly set up installation for best results.
- ⚠ **Warning!** Boosters should never be used to expand.
- ⚠ **Warning!** The maximum cable length per splitter is 250m (100 interconnect cables).



12.

7.7 Connecting the LED fixture to the mains

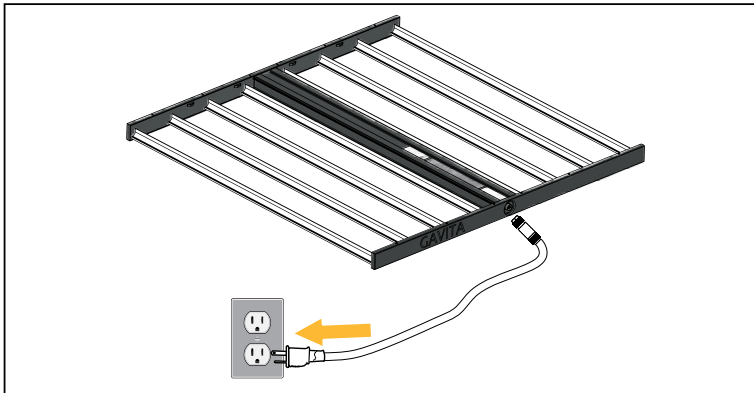
- ⚠ **Warning!** Make sure mains power is switched off.
 - ⚠ **Warning!** Ensure the cord is not coiled and does not touch any hot surfaces.
 - ⚠ **Warning!** Connect the cables according to local rules, safety regulations and electrical code.
 - ⚠ **Warning!** Ensure external switching gear can cope with the inrush current of the LED fixture (see paragraph 3.2). Always use a double pole contactor suitable for switching a capacitive load. Never use household timers to switch the LED fixture!
- If you use the LED fixture stand alone, connect the Wieland RST 16i5 female connector on the power cable to the Wieland RST16i5 male connector on the LED fixture (fig. 13).
 - If you use the LED fixture with a Master Controller, connect the Wieland RST16i5 female connector on the E-series adapter to the Wieland RST16i5 male connector on the LED fixture (fig. 14).
 - Connect the power cable to the mains. The Gavita Pro 1700^e LED 120-240 V connect to a Nema socket. The Gavita Pro 1700^e LED 277 V has an open end cable.

Cable description 1700^e LED 277:

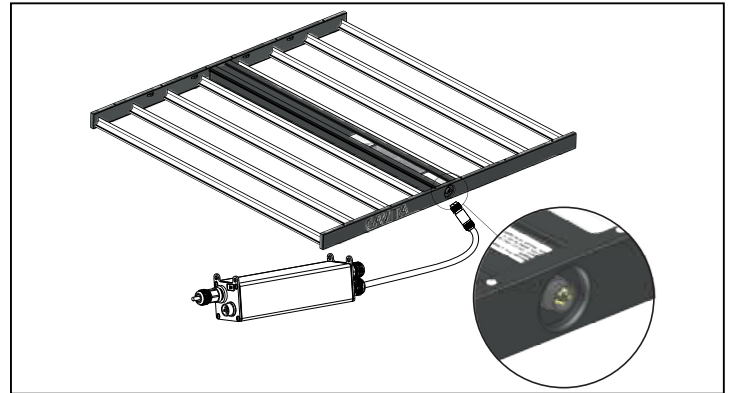
Wire	277V
White	Neutral (N)
Black	Phase (L)
Green	Ground (⊖)

- Switch on mains power.

⚠ **Warning!** Do not connect or disconnect the LED fixture under load.



13.



14.

8 Precautions when using the LED fixture

▲ **Warning!** Always wait 20 - 30 minutes for the LED rails to cool down!

9 Inspection, maintenance and repair

▲ **Warning!** Disconnect the LED fixture from mains before performing any maintenance or repairs.

▲ **Warning!** Do not connect or disconnect the LED fixture under load.

▲ **Warning!** Do not open or disassemble the LED fixture, it contains no serviceable parts inside. Opening the LED fixture can be dangerous and will void the warranty.

▲ **Warning!** Always allow for a cool down period of at least 30 minutes before touching the LED rails.

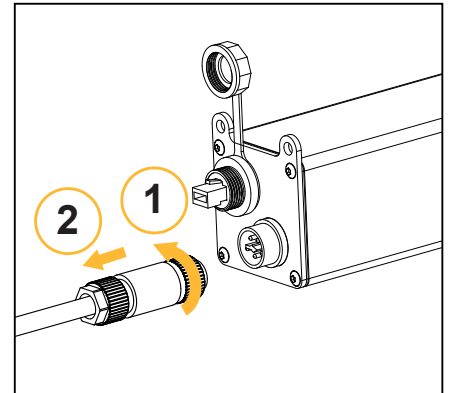
▲ **Caution!** Do not clean the LED fixture with detergents, abrasives or other aggressive substances.

- Regularly check the LED fixture for dust or dirt buildup. Clean if necessary. Contamination may cause overheating and decreased performance. Clean the outside of the LED fixture using a dry or damp cloth.
- Regularly check the cables of the LED fixture to ensure it is undamaged.

9.1 How to disconnect the Wieland RST16i5 plug

▲ **Warning!** Do not connect or disconnect the Wieland RST6i5 plug under load.

- Switch off mains power.
- Turn the ring on the Wieland RST16i5 female connector counterclockwise and pull the Wieland RST16i5 female connection from the LED fixture (fig. 15).



15.

10 Storage and disposal

- Store the LED fixture in a dry and clean environment, with an ambient temperature of -4 ~ 185° F / -20 ~ 85° C.
- The product must not be discarded as unsorted municipal waste, but must be collected separately for the purpose of treatment, recovery and environmentally sound disposal.

11 Warranty service

Gavita International b.v. warrants the mechanical and electronic components of their product to be free of defects in material and workmanship if used under normal operating conditions for a period of five (5) years from the original date of purchase. If the product shows any defects within this period and that defect is not due to user error or improper use Gavita International b.v. shall, at its discretion, either replace or repair the product using suitable new or reconditioned products or parts. In case Gavita International b.v. decides to replace the entire product, this limited warranty shall apply to the replacement product for the remaining initial warranty period, i.e. five (5) years from the date of purchase of the original product. For service return the Gavita Pro 1700^e LED fixture to your shop with the original sales receipt. **PLEASE NOTE: greater than 15% of the diodes must be non-functional before the unit can be considered defective.**

12 LIMITED WARRANTY:

When purchased from an authorized Hawthorne dealer, this product is covered by a LIMITED WARRANTY, available at hawthonegc.com/warranties. You can also obtain the Terms of Sale and Limited Warranty by calling Hawthorne toll-free at: 1-888-478-6544 or writing Hawthorne at: Hawthorne Hydroponics LLC, 3204 NW 38th Circle, Vancouver, WA 98660., Attn: Customer Service.



Manufactured for Hawthorne Hydroponics LLC,
a subsidiary of The Hawthorne Gardening Company

3204 NW 38th Circle, Vancouver, WA 98660

HawthorneGC.com | Canada: HawthorneGC.ca | P +1-360-883-8846 | E info@gavita.com

©2019 World rights reserved

121100