

# ASKO SERVICE ACADEMY

## Service Manual for the 700 Series of Tumble Dryers

 **ASKO**  
BUILT TO LAST LONGER

You have in your hand the ASKO Service Manual for the new generation of tumble driers, that are friendly to the environment in both their manufacture and their use.

This new generation of tumble driers has been designed for ease of servicing. By this we mean that it's a simple job, for example, to replace a damaged side panel. That's why we've changed the design from a one-piece shell to a split shell.

To secure parts and wiring, we have replaced many of the screws by plastic snap fasteners, and certain parts have integrated ribbon cabling, all for simplifying service.

We have also integrated service aids, such as hooks to hang parts on, so that you can use both hands for installation.

### **Presentation of the different models:**

T700 - is a thermostatically-controlled tumble dryer with air extraction

T720 - is a timer-controlled tumble dryer with a condenser

T760 - is a sensor-controlled electronic tumble dryer with air extraction

T780 - is a sensor-controlled electronic tumble dryer with a condenser

The T760 and T780 are equipped with internal lighting. They have a humidity sensor that can tell when the clothes are dry.

You can choose from a total of eleven different languages on the display, the number and choice of languages depend on the market.

Servicing the tumble driers has to be easy, and just as it is important for us that the customer shall be satisfied with our simple, able and durable 700 series, so we also want to give you, the service engineer, the conditions to permit you to work efficiently and satisfactorily.

We hope that this Service Manual will be a positive tool in your daily work, and you are welcome, if you have any questions concerning servicing ASKO products, to contact us at the after-sales department of ASKO Cylinda AB in Vara.

## GENERAL

- The electrical and plumbing installations shall be carried out by a qualified electrician and plumber respectively.

## SERVICE

### **WARNING**

---

Always switch off the main electrical power supply when dismantling and assembling the washing machine.

---

- Always use an earthed EMC wristband when working with electrical components, such as panel printed circuit boards and electronic control units.

### **T720: TRANSPORT/WINTER STORAGE**

If the tumble drier is to be transported, or stored for the winter in unheated premises, ensure that the condensation water tank has no water in it.

### **T780: TRANSPORT/WINTER STORAGE**

If the tumble drier is to be transported, or stored for the winter in unheated premises, ensure that the condensation water tank has no water in it.

## DISPOSAL

When the tumble drier comes to end of its useful life and is to be scrapped, it must be immediately rendered unusable.

Contact your local authority to find out how the tumble drier should be scrapped and recycled properly.

The tumble drier is manufactured and labelled for recycling.

# SPECIFICATIONS

---

## PRINCIPAL DIMENSIONS

Height:	850 mm
Width:	595 mm
Depth:	585 mm
Weight:	
T700	39 kg
T720	47 kg
T760	39 kg
T780	47 kg

## VOLUME/CAPACITY

Drum volume	111 litres
Drying capacity - EU:	5.0 kg
Drying capacity - AU:	5.0 kg
Speed:	52 rpm

## ELECTRICAL CONNECTION ALTERNATIVES

Power consumption:	See type label
Heating element power:	See type label

### Drying drum material:

Stainless steel.

### Outer casing material:

Powder-painted and hot galvanised steel plate or stainless steel.

### Installation:

Tower, free-standing or built-in.

### Drain

T720/780:	2.0 m rubber hose
-----------	-------------------

### Air extraction hose

T700/760:	3.0 m PVC
-----------	-----------

### Lamp

T760/780:	10 W, E14 socket
-----------	------------------

### **T700:**

Air at room temperature is heated by the heating element and drawn into the drum, where it extracts the dampness from the clothes. The ridges in the drum prevent the clothes from sticking to each other.

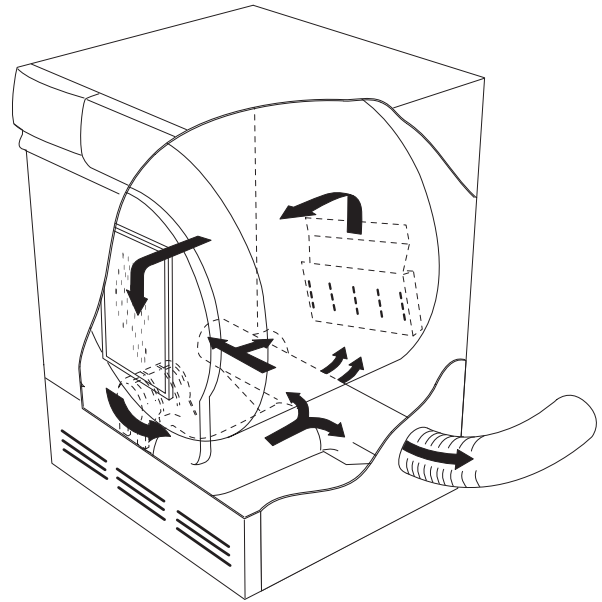
Air passes through the fluff filter in the front door, through the exhaust system and out.

### **T760:**

Air at room temperature is heated by the heating element and drawn into the drum, where it extracts the dampness from the clothes. The ridges in the drum prevent the clothes from sticking to each other.

Air passes through the fluff filter in the front door, through the exhaust system and out.

On the way through the air extraction system the air passes a humidity sensor. The sensor measures the amount of humidity in the clothes. If you are using an automatic program, the sensor indicates when the clothes are dry.



# THE DRYING PROCESS

---

## T720/780:

The condensing tumble drier has two circulation systems: one for drying air and one for cooling air. The black arrows show the warm drying air, and the white arrows the cooling air at room temperature. The ridges in the drum prevent the clothes from sticking to each other. On the way through the air extraction system the air passes a humidity sensor. The sensor measures the amount of humidity in the clothes. If you are using an automatic program, the sensor indicates when the clothes are dry.

## AIR DRIER

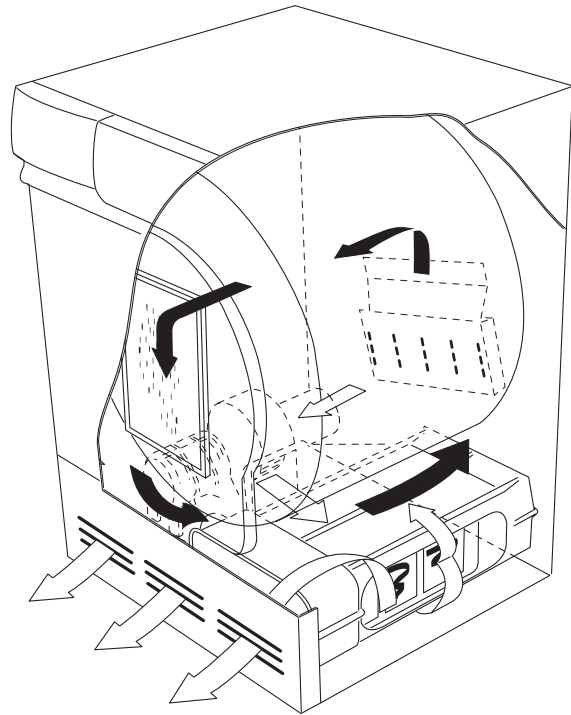
Air at room temperature is heated by the heating element and passes through the drum, where it blows through the clothes and extracts the dampness from them.

The air is filtered through the fluff filter in the front door, goes down to the fan and onwards to the condenser unit.

On its way through the condenser the saturated air releases its water content. The extracted water falls into a holder, from which it is either pumped up to a water tank or taken out via a drain hose to a floor drain or similar.

## COOLING AIR

The condenser is cooled by air at room temperature, drawn in through the rear of the machine. The air is blown through the condenser and exhausts through a grille in the bottom hatch. If the machine is built in, the air is drawn through the gap between the floor and the bottom of the machine.



## TUMBLE DRIER LOCATION

### T720/780:

The tumble drier can be free-standing, built in or part of a tower. Remember that the tumble drier produces heat, and should therefore not be placed in too confined a space. If the tumble drier is put into a very small room, because of the limited amount of air, the drying process will take longer.

### NOTE

To improve the air circulation, leave the door leading into the room where the tumble drier is placed open.

### WARNING

The electrical installation must be carried out by a qualified tradesman.

## LOCATION ALTERNATIVES:

### A. Free-standing

The tumble drier can be placed on the floor, either on its own or up against a wall or cupboard.

### B. Built-in

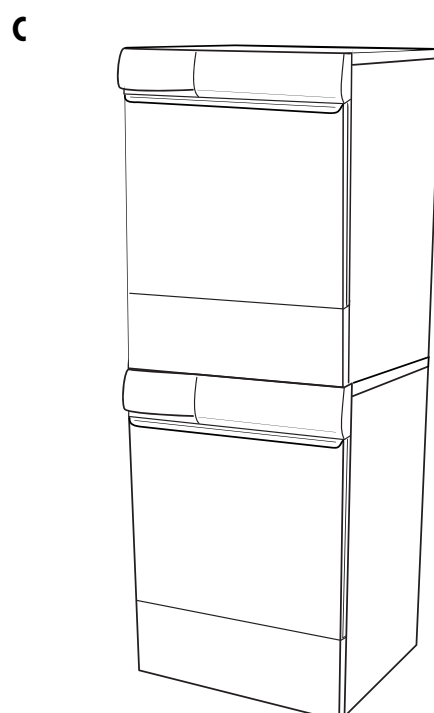
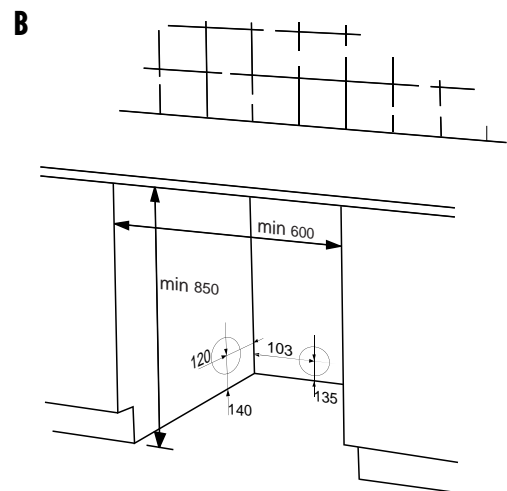
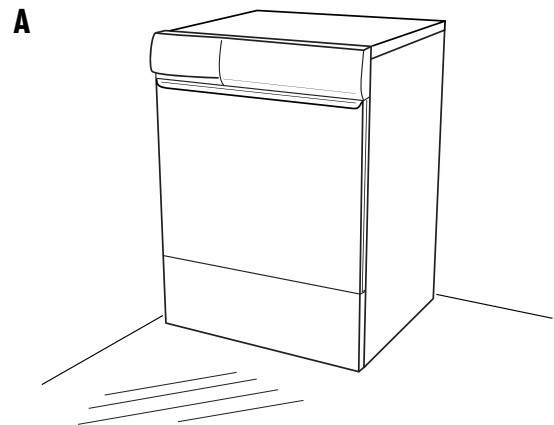
The tumble drier can be built in under a worktop with a minimum working height of 850 mm. The width of the opening must be at least 600 mm.

### C. Washing tower

The tumble drier can be placed on top of an ASKO washing machine. The tumble drier is fastened securely and prevented from moving by the tower fasteners that come with the machine:

- 2 off angle pieces.
- 2 off plastic cups.

A pull-out worktop is available as an accessory (Part no. 80 619 07-0 - white, 80 619 07-26 - black), available for purchase from your local ASKO dealer.



# INSTALLATION

---

## Install the tower configuration like this:

1. Unscrew and remove the outermost screws from each side of the rear of the washing machine.
2. Screw the angle pieces to the rear of the washing machine.
3. Secure the two plastic cups to the front edge of the top cover.

## WARNING

---

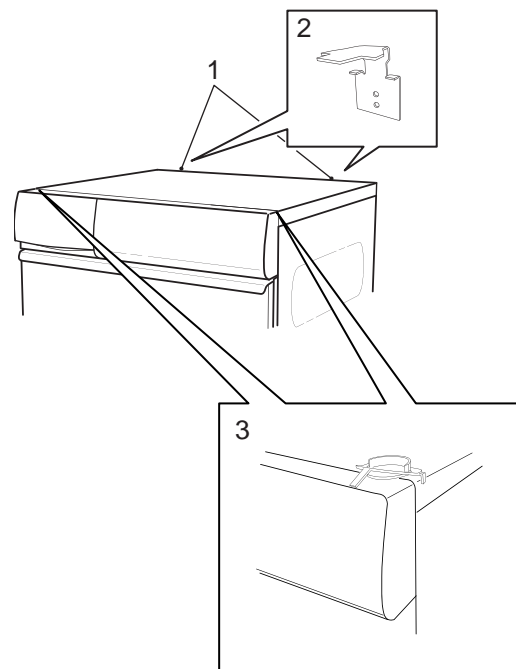
The plastic cups must be fitted, they secure the front edge of the tumble drier.

---

**Right side:** Break off the left-hand tag from one of the plastic cups and remove the paper from the underside. Position the cup so that the arm that sticks out is flush with the front edge of the panel and press it firmly into place.

**Left side:** Break off the right-hand tag from the other plastic cup and remove the paper from the underside. Position the cup so that the arm that sticks out is flush with the front edge of the panel and press it firmly into place.

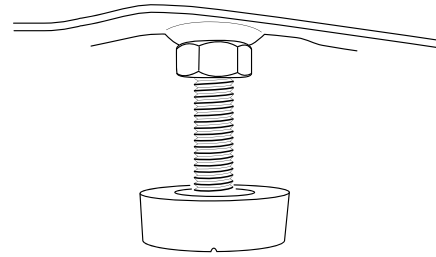
4. Position the tumble drier by fitting the two angle pieces into the slots at the rear of the tumble drier while keeping the front edge of the tumble drier raised by 1 - 2 cm.
5. Lower the tumble drier so that its front feet enter the plastic cups. Adjust the feet as necessary to straighten the tumble drier vertical.





## ADJUSTING THE FEET

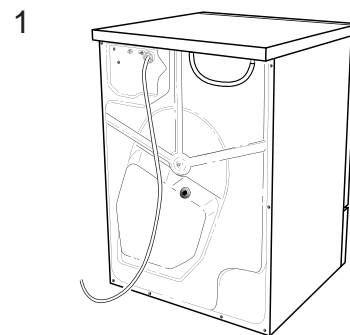
Screw the feet in or out until the tumble drier is standing vertical and steady. Lock the feet by tightening their locking nuts.



## CONDENSATION WATER (T720/780)

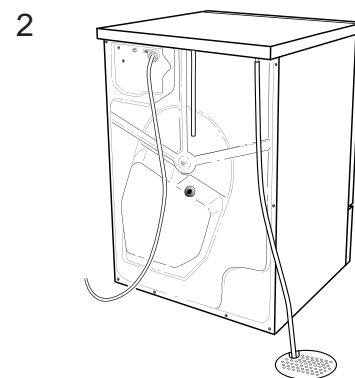
### Alternative 1 (as delivered)

Condensation water is pumped up into the condensation water tank, which is pulled out and emptied manually.



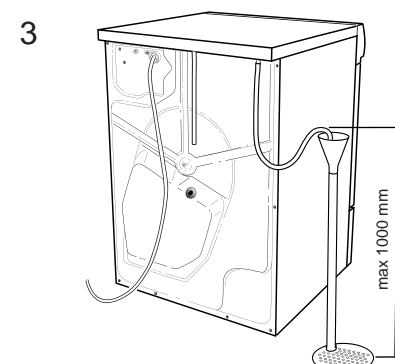
### Alternative 2

By connecting the accompanying rubber hose to the blue nipple and leading it down to a floor drain, the condensation water is pumped directly out to the drain.



### Alternative 3

By connecting the accompanying rubber hose to the blue nipple and leading it to a sink or similar, condensation water is pumped directly out to the drain.



# INSTALLATION

## AIR EXTRACTION (T700/760)

The exhaust air from the tumble drier should be taken to an exhaust duct or a wall outlet with the aid of the accompanying air extraction hose.

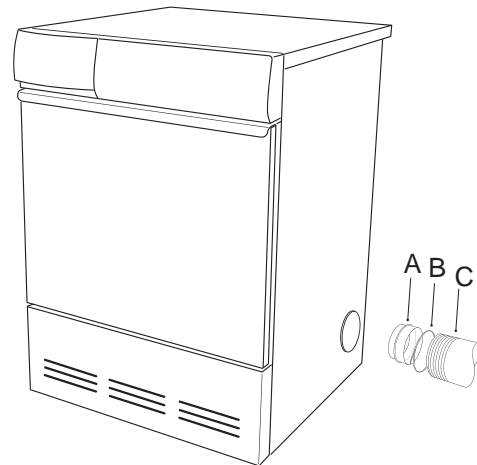
### Connection to the tumble drier

The tumble drier has three possible air extraction points: the rear, right or left side. On delivery one of the holes is open, and the other two are closed by covers.

The tumble drier is delivered with a connecting flange (A), a plastic ring (B) and an air extraction hose (C).

### Install the air extraction system as follows:

1. Push the air extraction hose on to the connecting flange and secure it with the plastic ring.
2. If necessary, remove the plastic cover from the hole where you want to connect the hose.
3. Insert the connecting flange and air extraction hose into the chosen hole.
4. Close the other two holes with the plastic covers.



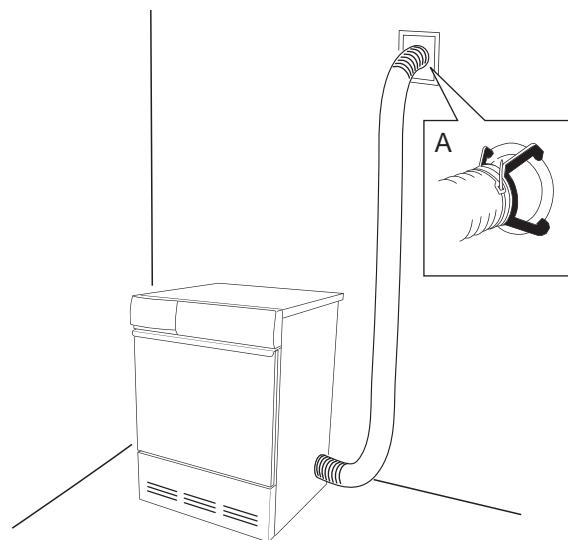
### Connection to exhaust duct

The air extraction hose must be routed the shortest possible way and as straight as possible from the tumble drier to the exhaust duct. Cut the air extraction hose if it is too long. If necessary the air extraction hose can be extended by up to a maximum of 8 metres (inner diameter 102 mm). If a longer hose is needed, the inner diameter must be increased in order to retain the fan capacity of the tumble drier.

Any bends must be made as gentle as possible. If 90° bends are necessary, there should be no more than four. Each bend reduces the fan capacity of the tumble drier.

If the air extraction hose leads to a wall outlet, the entry of cold air can be cut down by installing a ventilation grille (part no. 92 059 00). The ventilation grille can be installed either outside or inside.

If there is only one exhaust duct leading from the room a draught break (A) must be installed (part no. 92 059 01).



## ELECTRICAL INSTALLATION

The electrical installation must be carried out by a qualified tradesman.

The installation is made using fixed wiring and a multi-pole breaker.

### Connections on delivery

The machine is supplied for 3-phase, 400 V, heating power 2500/2620 W (see type label) and fused at 10 A.

If an earth fault breaker is installed, it should be of type A.

### Rewiring to single-phase

The machine can be rewired to single-phase, 10 or 16A. For rewiring to single-phase a 3-wire cable and wall plug are required. Rewiring shall be carried out in accordance with the rewiring diagram (supplied with the machine, in the front beam).

- 1-phase, 230 V, 50 Hz, heating power 1900 W, fused at 10 A (T700/720/780).
- 1-phase, 230 V, 50 Hz, heating power 2500/2620W, fused at 16A (T760).


## IMPORTANT



Electrical connections/rewiring must be carried out by a qualified tradesman.



### T780 (Condenser tumble drier with display):

For the machine to show the correct remaining drying time, after rewiring select the Low heating power (or High if you rewire to 3-phase).

#### Do this:

Switch off the mains power button, , and press it again to restart the machine.

Press the  button 5 times, then press the  button 5 times. These 10 button presses must be done within 15 seconds.

Within 3 seconds of the last button press select Low with the   buttons.

## Joint connection of the tumble drier and an ASKO washing machine

### NOTE

Joint electrical connection as described below must be carried out by a qualified tradesman.

To ensure even loading of the phases when installing the tumble drier jointly with a single-phase ASKO washing machine, the phases should be connected like this:

#### Tumble drier:

Terminal labelled L1 to phase 1.

Terminal labelled L2 to phase 1.

Terminal labelled L3 to phase 2.

#### Washing machine:

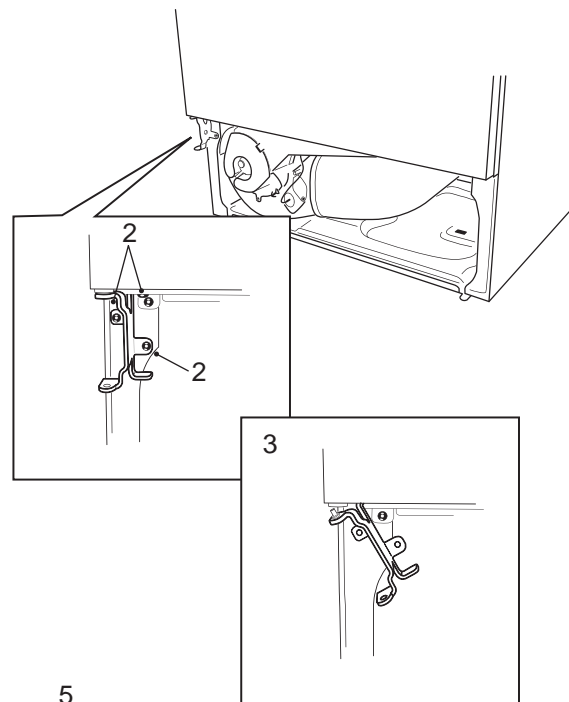
Terminal labelled L to phase 3.

## DOOR HANGING

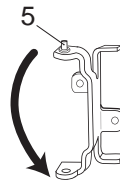
The tumble drier's front door can be adjusted to hang on either the left or the right.  
Tumble driers are normally delivered with the door hanging on the left.

### Left hanging to right hanging:

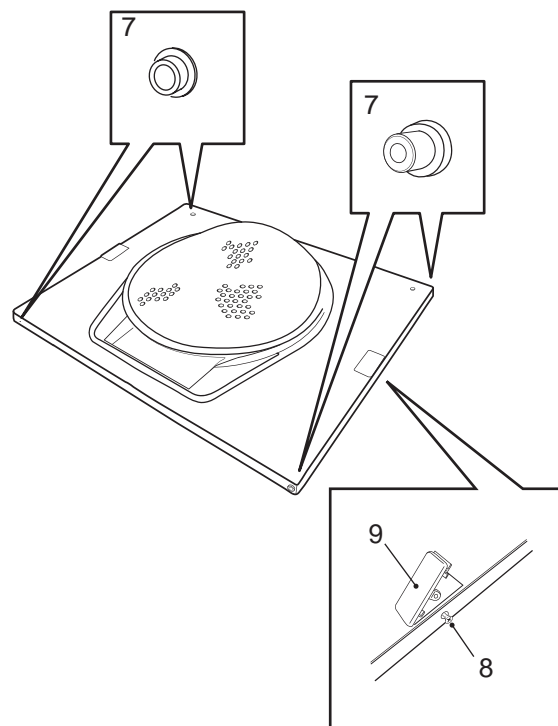
1. Keep the front door closed, it will be held in position by the door magnet.
2. Remove the bottom cover and unscrew the 3 screws that secure the hinge fixing.
3. Tilt the hinge fixing so that it comes free from the hinge socket in the front door.
4. Lift down the front door.



5. Change the hinge pin over.
6. Then change over the hinge pin for the upper hinge.
7. Then change over the plastic plugs and the hinge sockets located on the upper and lower edges of the front door respectively. Use a flat-bladed screwdriver.

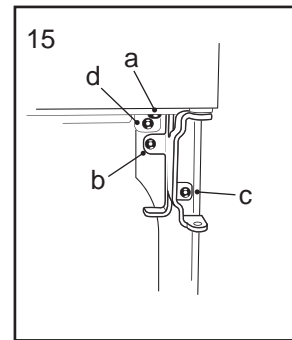
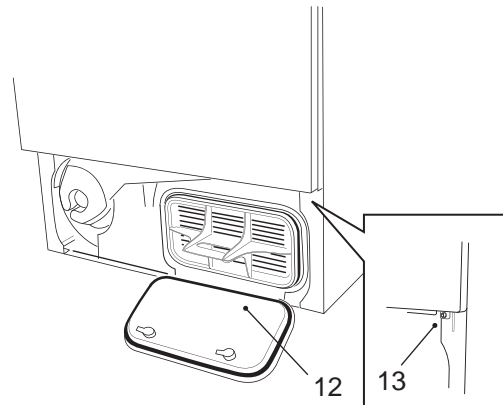


8. Half unscrew the two screws on the sides of the front door.
9. Then take out the door magnet and cover washer.  
**Right side:** Push the magnet/washer upwards and pull them out.  
**Left side:** Push the magnet/washer downwards and pull them out.



10. Fit the door magnet and cover washer.
11. Screw in the two screws on the sides of the front door.
12. **T720/780:** Open the condenser housing cover.

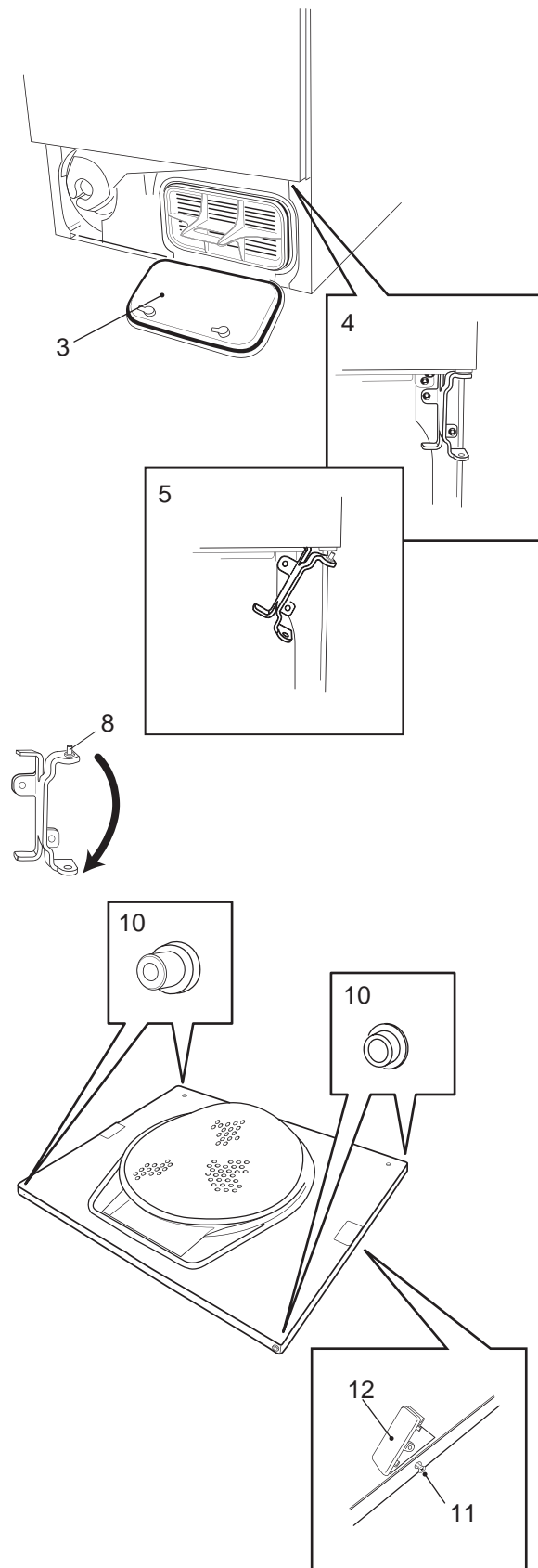
13. Remove the screw that is securing the front panel at the bottom edge of the side where the hinge will be installed.
14. Keep the front door in place with the door magnet.
15. Install the hinge fixing in the order a,b,c,d.
16. Refit the screw that secures the front panel at the bottom edge.
17. **T720/780:** Close the condenser housing cover.
18. Refit the bottom cover.



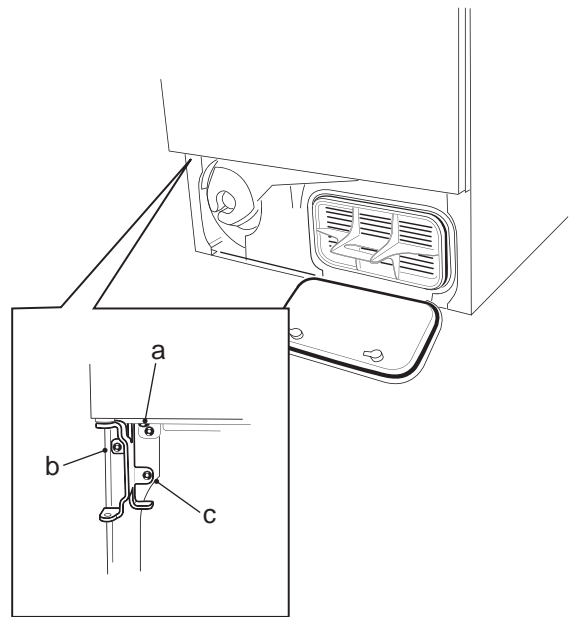
# DOOR HANGING

## Right hanging to left hanging:

1. Keep the front door closed, it will be held in position by the door magnet.
2. Remove the bottom cover.
3. **T720/780:** Open the condenser housing cover.
4. Remove the 3 screws that secure the hinge fixing and the lower screw that secures the front panel.
5. Tilt the hinge fixing so that it comes free from the hinge socket in the front door.
6. Tighten the lower screw securing the front panel.
7. Lift down the front door.
8. Change the hinge pin over.
9. Then change over the hinge pin for the upper hinge.
10. Then change over the plastic plugs and the hinge sockets located on the upper and lower edges of the front door respectively. Use a flat-bladed screwdriver.
11. Half unscrew the two screws on the sides of the front door.
12. Then take out the door magnet and cover washer.  
**Right side:** Push the magnet/washer upwards and pull them out.  
**Left side:** Push the magnet/washer downwards and pull them out.
13. Fit the door magnet and cover washer.
14. Screw in the two screws on the sides of the front door.
15. Keep the front door in place with the door magnet.



16. Install the hinge fixing in the order a,b,c.
17. **T720/780:** Close the condenser housing cover.
18. Refit the bottom cover.



# FAULT TRACING

---

## THE MACHINE WILL NOT START

Check

- that the outer lid is properly closed.
- that the mains power button is pressed in.
- that you have set the program or the desired timer program correctly.
- that the condensation water tank is empty. (T720/780)
- that if a power plug is used it is connected.
- that the fuses for the house electricity supply are not blown. Change two of the fuses over. It is not always visible from the outside when a fuse is blown.
- that the overheating protection has not tripped, see below.

## OVERHEATING PROTECTION

The overheating protection switches off the tumble drier if the temperature is too high, e.g. because fluff is blocking the fluff filter. Clean the filter, empty the condensation water tank and clean the condenser. Then reset the overheating protection by pressing on the rubber membrane at the rear of the machine.

## TUMBLE DRYING IS TAKING TOO LONG (T700/760):

Check that the fluff filter is not blocked.

(T720/780):

Empty the condensation water tank and check that the fluff filter or condenser are not blocked. Too long drying time can also be due to the fact that the tumble drier is located in too small a space and that the air in the room (cooling air) is becoming too warm. Make sure that the Se till that tumble drier has access to more cool air, e.g. by opening a door or window.

## NO INTERNAL LIGHTING

Check

- that the mains power button is pressed in.
- that if a power plug is used it is connected.
- that the fuses for the house electricity supply are not blown. Change two of the fuses over. It is not always visible from the outside when a fuse is blown.
- that the lamp has not blown. Switch off the mains power. The lamp is located inside the upper edge of the drying drum, just inside the opening. Unscrew the plastic housing that protects the lamp, unscrew the lamp and change it if it is faulty.

## ERROR MESSAGES

The display text field shows a message if a fault occurs during the time the program is running. The error messages that may be shown are:

**Maximum program time:** When the machine has been running for its maximum time (3 hours) it will stop. Check and if necessary change the mains power fuses in the house fuse board. To remove the error message, switch off the machine or open its door. If this does not help, ring for service.

**Thermistor error:** Ring for service.

**Sensor error:** Fault in the humidity sensor. This error message may also appear if you run the machine with laundry that is already dry, or run it empty. Open the door and the message should disappear. If it does not, ring for service.

**Overfull:** (T780) Means that the condensation water tank is full. Empty it and restart. If the same error message appears again, it can mean that the bottom water container is full, because the pump or hoses are blocked or faulty. If the condensate water is pumped straight out via the drain hose - check that the hose is not kinked or blocked. If this does not help, ring for service.



### INCORRECT LANGUAGE ON THE DISPLAY


If for some reason the language on the display has changed, you can go back to the original language.



Earlier models had two versions of the machine (Alternatives 1 and 2) but now all eleven languages are present in all machines.




**Alternative 1:** The languages you can choose from are Danish, Finnish, French, Dutch, Norwegian and Swedish.

**Alternative 2:** The languages you can choose from are English, French, Italian, Portuguese, Spanish and German.

**To change the language, do this:**

Switch off the mains power button, , and press it again to restart the machine.

Press the  button five times, then press the  button five times. These 10 button presses must be done within 15 seconds.

Within 3 seconds of last pressing the  button, use the   buttons to step through to the language you want.

# PROBLEMS

---

## COMMON QUESTIONS AND PROBLEMS

### The washing will not dry?

### The machine only runs for 20 minutes?

1. Mains power fuse has blown.
2. Overheating, fluff blocking the filter, condenser unit or fan housing.
3. Overfilling: The display shows "Fault indication, filling"
4. The machine does not reach the measured value of 1,8 mV within 15 minutes.  
This can be due to:
  - Incorrect connection to single phase = too low heating element power (720 or 600 W)
  - Incorrect connection of element to control unit
  - Incorrect connection in element terminal block
  - Humidity sensor not located in fan housing
  - Faulty humidity sensor
  - Heating element open circuit
5. Drive belt running incorrectly on motor shaft = too high drum speed > 56 rpm

### Overheating protection tripped even though fluff filter and condenser unit have been cleaned.

1. Fault in control unit
2. Fluff in internal fan wheel - clean also air ducts and behind the element.
3. Motor overheating protection tripped.

### Overfilling fault indication, even though tank is empty.

Condenser water pump is blocked or burned out. If the pump is burned out an associated fault will be burned wiring in the control unit. Always check first if the condenser water pump has burned out before installing a new control unit.  
See service bulletin Group 22 Number 21.

### The machine shows the Maximum program time fault indication.

The indication means that the machine has been running for the maximum time (= 3 hours) that the control unit is allowed.

This can have several independent reasons, or a combination of these.

1. Mains power fuse has blown
2. Fluff in the filter, condenser unit or fan housing.
3. Incorrect connection to single phase, 10A
4. External air is restricted or blocked, resulting in poor condensation
5. High ambient temperature + low heating element power + low drying temperature resulting in poor condensation
6. Low ambient temperature + low heating element power + low drying temperature so that it is difficult to get the dampness out of the clothes .
7. The washing has been spun dry at low speed, i.e. less than 800 rpm
8. The washing has been taken out before the program was completed. The machine was then loaded with a new batch of washing. In that case the control unit did not have time to reset itself and the time was added to the next drying cycle.
9. Damaged humidity sensor, its wiring or connections.

### MOTOR (2/118/JU)

#### 50 Hz

Part no.:	80 618 24
Main winding:	23,8 $\Omega$
Auxiliary-winding:	28,1 $\Omega$
Voltage:	220/240 V
Current:	1,1 A, 270 W, 2850 rpm

The 2-pole motor is connected directly to the fan for internal air, and via a gear to drive the drum. On machines with condensers (T720/780) it also drives the fan for external air.

### CAPACITOR

Part no.:	80 542 68
-----------	-----------

The capacitor is located on the motor and has a value of 8 $\mu$ F.

### CONDENSATE WATER PUMP HANNING

<b>T720/780</b>	<b>25W</b>
Part no.:	80 638 09
Resistance:	111 $\Omega$

### PLASET

<b>T720/780</b>	<b>25W</b>
Part no.:	80 565 19
Resistance:	101 $\Omega$

The condensate water pump pumps the water from the condenser housing to the water tank.

### RADIO INTERFERENCE FILTER

Part no.:	80 585 58
Leakage current:	230 V/ 50 Hz 0.315 mA ??

The filter eliminates radio interference generated by the machine.

### INDICATION LAMP

Part no.:	80 070 73
Current:	1.68 mA, 230 V, 50 Hz

The lamp indicates that the main power switch is set to on.

### THERMISTOR

Part no.:	80 619 00
Resistance:	40-60 k $\Omega$ at 20°-30°C

The thermistor controls temperature regulation. If the thermistor becomes short-circuited or disconnected from the control unit, the program stops.

### CONTACTOR

Part no.:	80 091 48
Resistance:	2 k $\Omega$

The contactor opens in case of overheating, when the door is opened and at the end of the program.

### THERMOSTAT T700

Part no.:	80 619 46 (44°C)
Part no.:	80 014 45 (53°C)
Part no.:	80 088 07 (115°C auto.)

The thermostats are located in the fan housing, controlling the automatic programs for 44°C and 53°C, also the time program up to 60 min. The 115°C thermostat automatically disconnects one of the heating loops if the temperature rises too high.

### T760

Part no.:	80 144 44 (47°C)
Part no.:	80 560 29 (70°C)

The thermostats are located in the fan housing, controlling the automatic programs for 47°C and 70°C, also the time program up to 60 min.

## COMPONENTS AND MEASUREMENT VALUES

---

### **T700/720/760/780 (OVERHEATING PROTECTION)**

Part no.: 80 084 87 (150°C manual)

The 150°C thermostat stops the program if the temperature rises too high and has to be manually reset. This thermostat is also called the over-heating protection.

### **HUMIDITY SENSOR**

Part no.: 80 618 55

The humidity sensor is used to control the drying process. During operation the sensor output signal is between 1 and 16 mV DC. Any other value causes the program to stop.

### **DOOR SWITCH**

Part no.: 50 531 07

The front-loading door operates a door switch, and when this is open the program stops. If the door has been opened and closed again during the program, the machine must be restarted with the start button.

### **INTERNAL LIGHTING T760/780**

Part no.: 80 618 62

The internal lighting is controlled by the door switch.

### **BUZZER T700/720**

Part no.: 80 618 83

The buzzer sounds to indicate that the program has finished.

### **OVERFILLING PROTECTION T720/780**

Part no.: 80 526 43

If both of the tumble drier containers are overfilled, the program is halted by a switch located in the lower container. The display indicates overfilling.

### **ELECTRICAL CONNECTIONS**

The machine is delivered set for 3 phase, 230V, 10A with heating power 2620W (T760) or 2500W (T700/720/780). The machine can be rewired for single phase, 16A with heating power 2620W (T760) or 2500W (T700/720/780) or single phase, 10A with heating power 1900W.

The connection cable is 2.0 metres of RKK 5x1.5 mm<sup>2</sup>.

### **PROGRAM CONTROL (T760/780)**

#### **Program unit**

The control unit contains microprocessors to control the program, motor, heating element etc.

#### **LIQUID CRYSTAL DISPLAY UNIT (Panel board)**

The LC display unit include press buttons and indications.

#### **PROGRAMMER (T700/720)**

The programmer has mechanically marked setting points, and a motor with 4-minute steps.

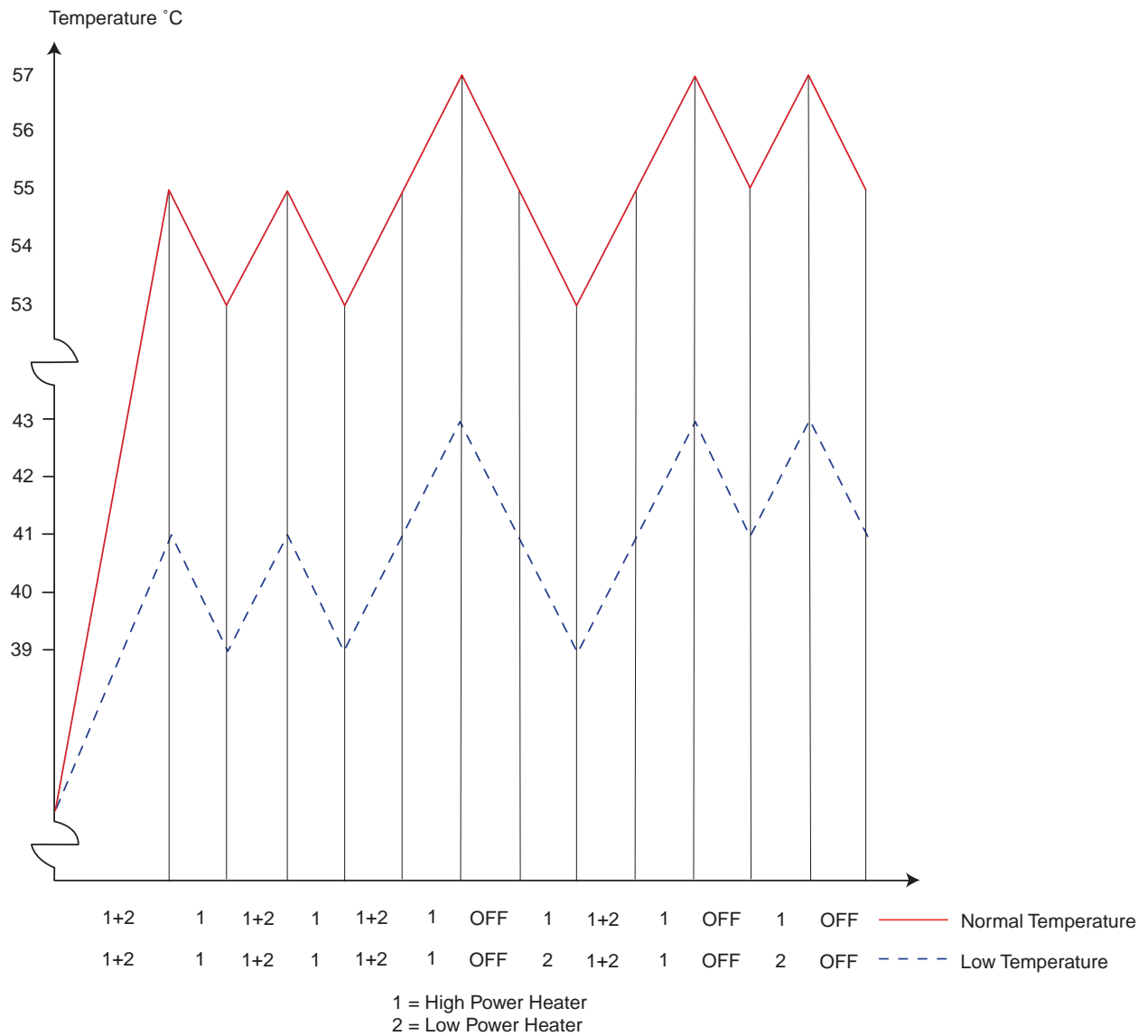
## HEATING ELEMENT

### T700/760 2620 W

Part no.: 80 618 33

Resistance: 66.7/25.7 Ω

The element has a maximum power rating of 2620W but consists of two loops of 1900W and 720W, which permits rewiring from 2620W to 1900W.



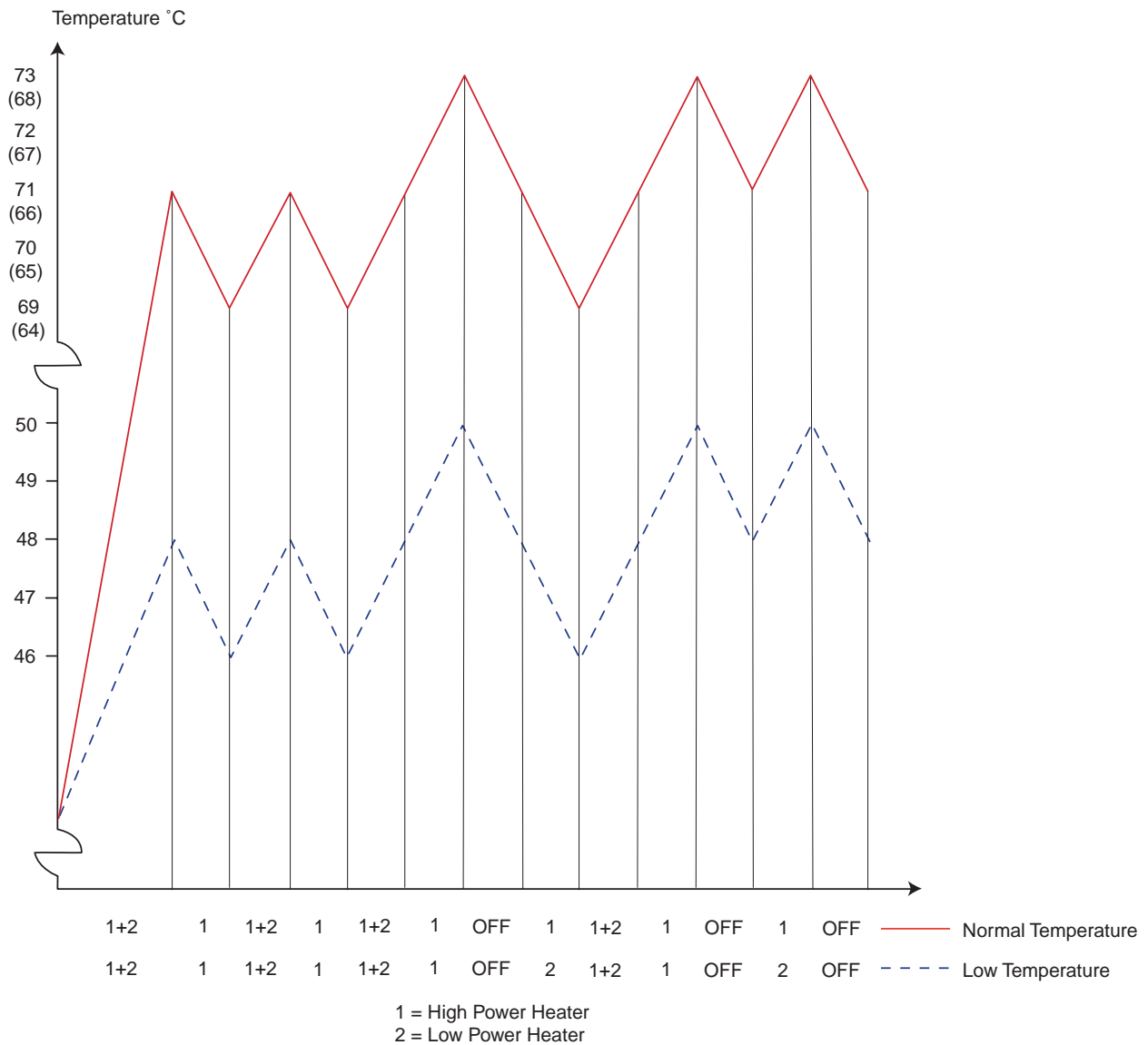
# COMPONENTS AND MEASUREMENT VALUES

## T720/780 2500 W

Part no.: 80 637 71

Resistance: 79,7/25 Ω

The element has a maximum power rating of 2500W but consists of two loops of 1900W and 600W, which permits rewiring from 2500W to 1900W.

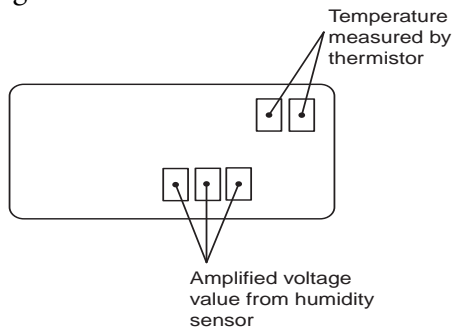


## TEST PROGRAM

The machine must be in its starting state (obtained by pressing the main power button).

Short-circuit the outputs ST4-1 and ST4-2.

- Ⓢ Start the test program.
- Ⓟ T780: Start the condensation water pump.
- Ⓟ or wait for 60 seconds and the test program will continue.



The program heats, increasing the temperature by 14° in max. 10 minutes, then allows it to cool for 5 minutes (testing that the heating element is working).

The value detected by the humidity sensor can vary according to the environment and on whether there is wet clothing in the tumble drier.

## FAULT INDICATIONS

Overfill:	Overfill condensation water holder.
Maximum running time:	Maximum running time achieved, 3 hours.
Thermistor fault:	Thermistor fault.
Sensor fault:	Fault in humidity sensor.

### Reasons for faults

#### Open or short circuit in thermistor

Program stops and display shows "Thermistor fault". The thermistor may have become disconnected or have an internal fault. A serviceable thermistor has a resistance of between 60 and 40 kΩ at 20-30°C.

#### Thermistor not installed in fan housing

The heating element will remain switched in for as long as the thermistor cannot detect the selected air temperature. This can lead to an excessively high air temperature in the drum.

#### Blocked filter

The overheating protection (150°C) will be tripped and the machine will stop. Reset is manual.

#### Humidity sensor not installed in fan housing or control unit

The machine will stop after 20 minutes.

#### Incoming phase missing

- Error L1, the machine will stop after 20 minutes. Low heating element power (720 or 600W).
- Error L2, the machine will not start. Indication lamp not lit.
- Error L3, the machine operates but the running time is too long (low heating element power (1900W)).

#### 380V between each phase and neutral

The fan motor stops after a few seconds. Overheating protection trips, heating element and control damaged.

# CONSUMPTION VALUES

## T700/720

The following conditions apply for the consumption values stated below:

Incoming air temperature:	20 °C
Incoming air humidity:	65 %
Drying temperature:	Normal (g.) Low (g.)
Heating element power:	
T700	2620W
T720	2500W

Cotton garments should, before tumble drying, be spun at 800 to 1600 rpm (long spin drying) in an ASKO washing machine.

Other garments (non-iron and acrylic) should, before tumble drying, be spun at 800 rpm (short spin drying) in an ASKO washing machine.

## T700

PROGRAM	MATERIAL	LOAD	ENERGY CONSUMPTION	PROGRAM TIME
			(approx. kWh) 800 rpm - 1600 rpm	(approx. minutes) 800 rpm - 1600 rpm
1 Extra dry	Cotton, linen	1/1 (5,0 kg)	3,8 - 3,3	112 - 110
2 Normal dry	Cotton, linen	1/1 (5,0 kg)	3,4 - 2,6	95 - 80
	Non-iron Polyester/cotton	1/2 (2,5 kg)	1,3 -	50 -
	Acrylics, rayon, acetatet	1/1 (5,0 kg)	1,7 -	55 -

## T720

MATERIAL	LOAD	ENERGY CONSUMPTION	RECOMMENDED PROGRAM TIME
		(approx. kWh) 800 rpm - 1600 rpm	(approx. minutes) 800 rpm - 1600 rpm
Cotton, linen	1/1 (5,0 kg)	3,1 - 2,4	84 - 66
Non-iron Polyester/cotton	1/2 (2,5 kg)	1,2 -	30 -
Acrylics, rayon, acetates	1/1 (5,0 kg)	1,7 -	114 -



## T760








The following conditions apply for the consumption values stated below:

Incoming air temperature: 20 °C  
 Incoming air humidity: 65 %  
 Drying temperature: Normal (g)  
 Low (g)

Heating element power: 2620 W

Cotton garments should, before tumble drying, be spun at 800 to 1600 rpm (long spin drying) in an ASKO washing machine.

Other garments (non-iron and acrylic) should, before tumble drying, be spun at 800 rpm (short spin drying) in an ASKO washing machine.

PROGRAM	MATERIAL	LOAD	ENERGY CONSUMPTION	PROGRAM TIME
			(approx. kWh) 800 rpm - 1600 rpm	(approx. minutes) 800 rpm - 1600 rpm
P1 Extra dry	Cotton, linen 	max (5,0 kg)	4,1 - 3,4	110 - 100
P2 Cupboard dry	Cotton, linen 	max (5,0 kg)	3,9 - 3,1	100 - 85
	Non-iron Polyester/ Cotton 	max (2,5 kg)	1,7 -	80 -
P3 Normal dry	Cotton, linen 	max (5,0 kg)	3,4 - 2,6	90 - 75
	Non-iron Polyester/ Cotton 	max (2,5 kg)	1,5 -	70 -
	Acrylics, rayon, acetates 	max (2,5 kg)	1,7 -	80 -
P1 Iron dry	Cotton, linen 	max (5,0 kg)	2,4 - 2,0	70 - 60

## CONSUMPTION VALUES

### T780

The following conditions apply for the consumption values stated below:

Incoming air temperature: 20 °C  
 Incoming air humidity: 65 %  
 Drying temperature: Normal (⊗)  
 Low (⊗)

Heating element power: 2500 W

Cotton garments should, before tumble drying, be spun at 800 to 1600 rpm (long spin drying) in an ASKO washing machine.

Other garments (non-iron and acrylic) should, before tumble drying, be spun at 800 rpm (short spin drying) in an ASKO washing machine

PROGRAM	MATERIAL	LOAD	ENERGY CONSUMPTION	PROGRAM TIME
			(approx. kWh) 800 rpm - 1600 rpm	(approx. minutes) 800 rpm - 1600 rpm
P1 Extra dry	Cotton, linen ⊗	max (5,0 kg)	3,8 - 3,1	120 - 105
P2 Cupboard dry	Cotton, linen ⊗	max (5,0 kg)	3,5 - 2,8	110 - 95
	Non-iron polyester/ cotton ⊗	max (2,5 kg)	1,4 -	75 -
P3 Normal dry	Cotton, linen ⊗	max (5,0 kg)	3,2 - 2,4	95 - 80
	Non-iron polyester/ cotton ⊗	max (2,5 kg)	1,2 -	65 -
	Acrylics, rayon, acetates ⊗	max (2,5 kg)	1,5 -	75 -
P1 Iron dry	Cotton, linen ⊗	max (5,0 kg)	2,5 - 1,5	95 - 65

## LIST OF TOOLS

### "Torx" spanners:

- T25
- T20
- T10

### Ring spanners:

- 11/16"
- 13 mm
- 8 mm

### Socket screwdriver:

- 10 mm

### Screwdrivers

# TOOLS

---

## APPLICATION AREAS

### Top lid:

- ◆ torx T25

### Rear piece:

- ◆ torx T25
- ◆ torx T20
- ◆ ring spanner 13 mm
- ◆ special tool (Part no. 72 816 15)

### Input terminal block:

- ◆ torx T25
- ◆ torx T20
- ◆ ring spanner 8 mm

### Radio interference filter:

- ◆ torx T25
- ◆ ring spanner 13 mm

### Contactors:

- ◆ torx T25
- ◆ torx T20

### Fuse holder:

- ◆ torx T25
- ◆ ring spanner 11/16"

### Drum:

- ◆ torx T25
- ◆ torx T20
- ◆ socket spanner 10 mm
- ◆ special tool (Part no. 88 011 54)

### External fan housing:

- ◆ torx T25
- ◆ torx T20
- ◆ socket spanner 10 mm

### Motor:

- ◆ torx T25
- ◆ torx T20
- ◆ torx T10
- ◆ socket spanner 10 mm
- ◆ ring spanner 13 mm
- ◆ special tool (Part no. 88 011 54)

### Humidity sensor:

- ◆ torx T25
- ◆ torx T20
- ◆ torx T10
- ◆ special tool (Part no. 88 011 54)

### Thermostat:

- ◆ torx T25
- ◆ torx T10

### Thermistor:

- ◆ torx T25
- ◆ torx T20
- ◆ torx T10
- ◆ flat-nose pliers
- ◆ special tool (Part no. 88 011 54)

### Front frame:

- ◆ torx T25
- ◆ torx T20
- ◆ torx T10
- ◆ socket spanner 10 mm
- ◆ ring spanner 13 mm
- ◆ special tool (Part no. 88 011 54)

### Front door:

- ◆ torx T25
- ◆ torx T20
- ◆ ring spanner 8 mm
- ◆ star socket head screwdriver

### Front panel:

- ◆ torx T25
- ◆ torx T20
- ◆ torx T10

### Panel:

- ◆ torx T25
- ◆ torx T20
- ◆ 6.5-7 mm wide blade screwdriver

### Programmer:

- ◆ torx T25
- ◆ torx T20

### Electronic control unit:

- ◆ torx T25

**Condenser housing:**

- ◆ torx T25
- ◆ torx T20
- ◆ socket spanner 10 mm
- ◆ special tool (Part no. 88 011 54)

**Water tank housing:**

- ◆ torx T25
- ◆ torx T20

**Side panels/Bottom:**

- ◆ torx T25
- ◆ torx T20
- ◆ torx T10
- ◆ 6.5-7 mm wide blade screwdriver

**Front panel:**

- ◆ torx T25
- ◆ torx T20
- ◆ 6.5-7 mm wide blade screwdriver

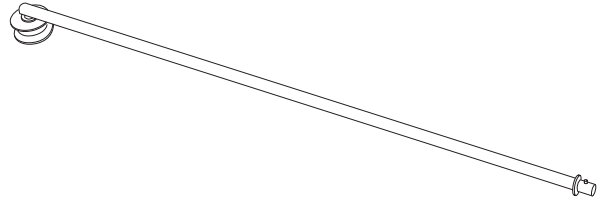
## SPECIAL TOOLS

---

### INSTALLING THE DRUM TD20

Part no. 88 011 54

The tool hangs in one of the punched-out keyholes in the front rail, then the rear edge of the drum is rolled up on to the roller and the drum is held in place.



### INSTALLATION OF FELT STRIP SEAL

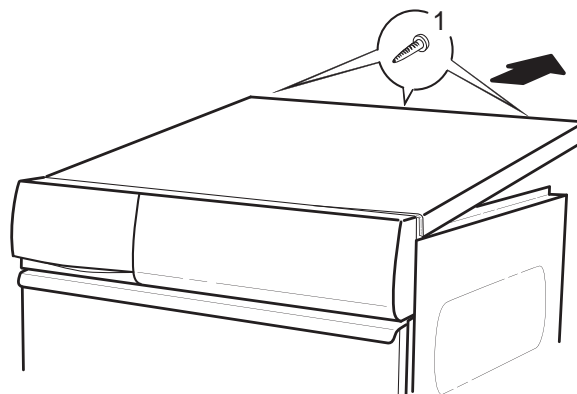
Part no. 72 816 15

This tool is used to tighten the tensioning band around the felt strip seal.

**TOP COVER**

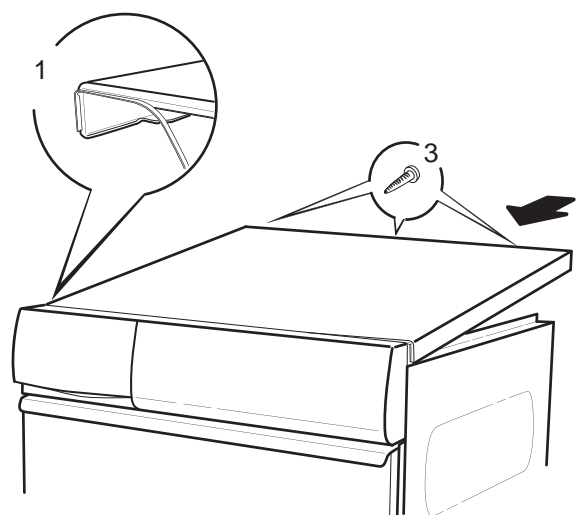
**Removing the top cover**

1. Remove the 3 screws at the rear of the top cover.
2. Tilt the cover and pull it backwards.



**Installing the top cover**

1. Ensure that the sealing strip is positioned along the edge of the top cover.
2. Push the front edge of the top cover under the panel and lower the cover.
3. Secure the top cover with the 3 screws at the rear.

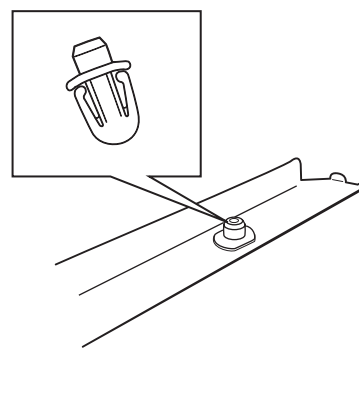


**IMPORTANT**

Don't forget the 2 star washers for the outermost screws.

**Changing the guides**

1. Remove the top cover.
2. Squeeze the latches together and pull or push the guide upwards.
3. Push the new guide into place.
4. Secure the top cover with the 3 screws at the rear.



**IMPORTANT**

Don't forget the 2 star washers for the outermost screws.

# SERVICE

## REAR PANEL

### Removing the rear panel

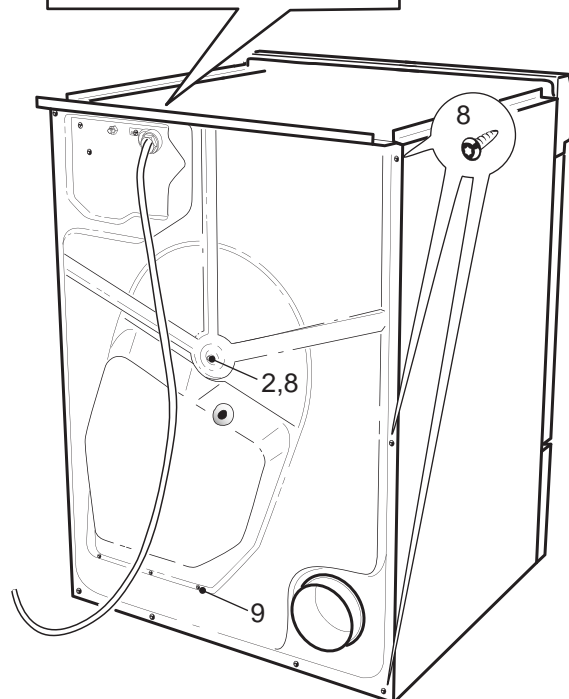
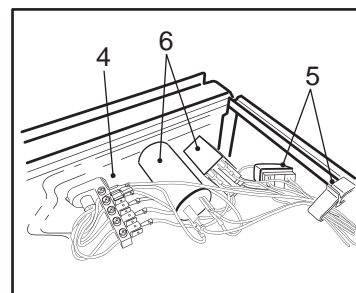
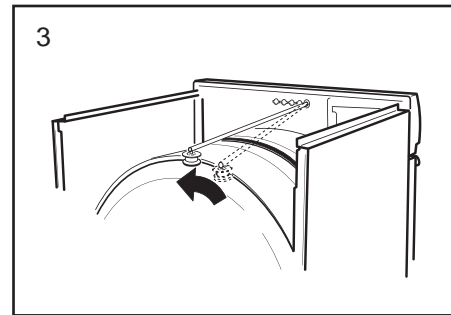
1. Remove the 3 screws at the rear of the top cover and lift it off.
2. Unscrew the centring nut until the face of the nut is level with the end of the thread and knock out the bearing.
3. Fit the special tool (part no. 88 011 54) by fitting the tube end into one of the stamped out keyholes in the front rail. Lift the rear edge of the drum and press the drum edge on to the roller.
4. Remove the earth connection (yellow/green wire) from the input terminal block.
5. Take the cable bundle out of the cable clamp and pull the header block off its terminal pins.
6. Remove the wiring:  
T700/720: R1 a, R1 b, R1 13, R1 14, R1 34 on the contactor.  
T760/780: Ra, Rb, R13, R14, R34 on the contactor and F3 and F4 on the radio interference filter.
7. T720/780: Remove the hoses to the water tank housing.
8. Remove the centring nut and the 8 screws.
9. T720/780: Remove the 3 plastic screws.
10. Lift off the rear panel.

### Installing the rear panel

11. Hook the rear panel on to the base.
12. Remove the special tool.
13. Screw on the centring nut and fit the 8 screws.
14. T720/780: Refit the hoses.
15. Fit the earth connection and the wiring:  
T700/720: R1 a, R1 b, R1 13, R1 14, R1 34 on the contactor.  
T760/780: Ra, Rb, R13, R14, R34 on the contactor and F3 and F4 on the radio interference filter.
16. Push the header block on to its terminal pins and place the cable bundle in the cable clamp.
17. Fit the top cover.

## IMPORTANT

Don't forget the 2 star washers for the outermost screws.





## Removing the inner and outer rear panels

1. Remove the rear panel in accordance with the section "[Rear panel - removing...](#)".
2. Remove the screws that secure the inner rear panel to the outer, and the cable clamp.
3. Lift them apart.

### IMPORTANT

The bearing is now free and can be removed.

## Installing the inner and outer rear panels

4. Put the inner rear panel on to the drum shaft and feed it on to the bearing.
5. Offer up the outer rear panel and secure it with the screws to the inner rear panel, along with the cable clamp.

### WARNING

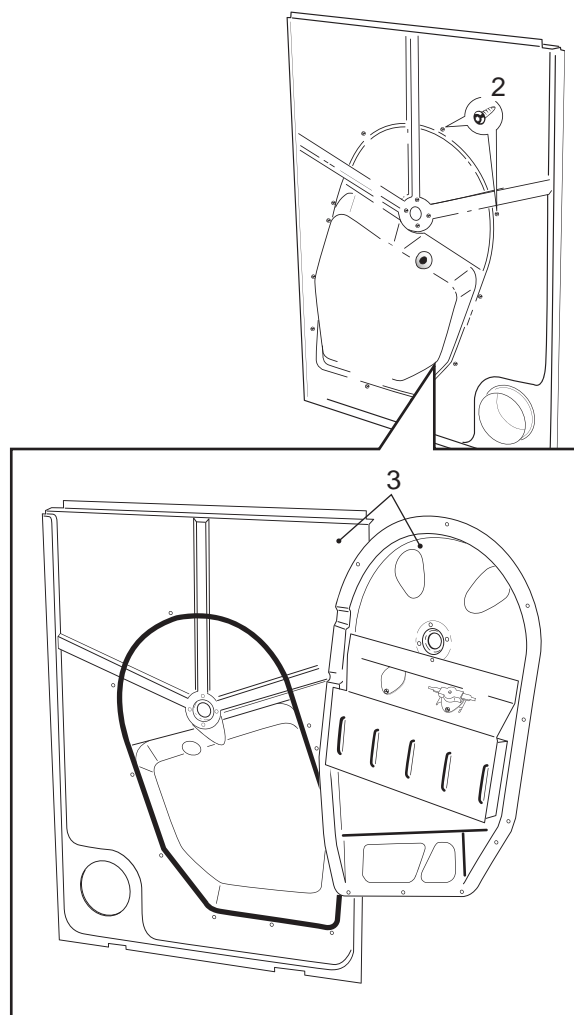
It is important that the wiring bundle runs along its groove.

6. Secure the rear panel to the side panels and bottom. Install the remaining wiring in accordance with the electrical schematic diagram and fit the top cover.

### IMPORTANT

Don't forget the 2 star washers for the outermost screws..

7. Tighten the centring nut.

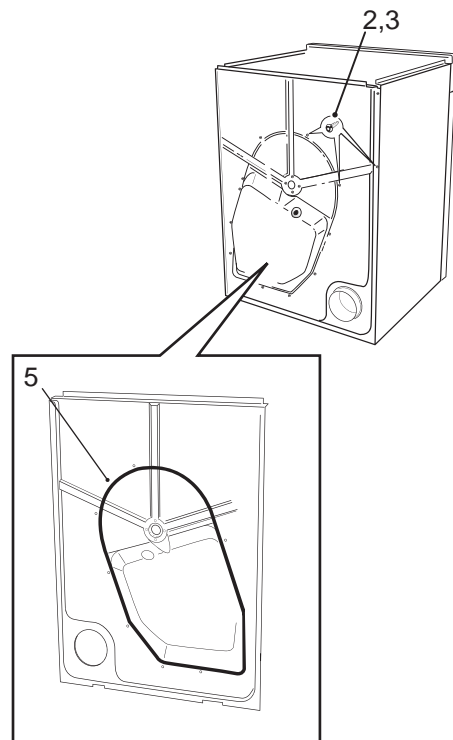


## SERVICE

---

### Changing the foam rubber seal

1. Remove the 3 screws at the rear of the top cover and lift it off.
2. Remove the screws that secure the rear panel sides and bottom.
3. Remove the screws that secure the inner and outer rear panels.
4. Lift off the outer rear panel.
5. Change the foam rubber seal.
6. Put the outer rear panel in place.
7. Secure the rear panels to each other.
8. Secure the rear panels to the machine.
9. Fit the top cover.



### IMPORTANT

Don't forget the 2 star washers for the outermost screws.

---

### Changing the bearing

1. Remove the rear panel in accordance with the section "[Rear panel - removing...](#)".
2. Remove the screws that secure the inner and outer rear panels, also the cable clamp.
3. Lift them apart.
4. Change the bearing.
5. Put the inner rear panel and the bearing on the shaft.
6. Offer up the outer rear panel and secure the inner rear panel to it, along with the cable clamp.

### WARNING

It is important that the wiring bundle runs along its groove.

---

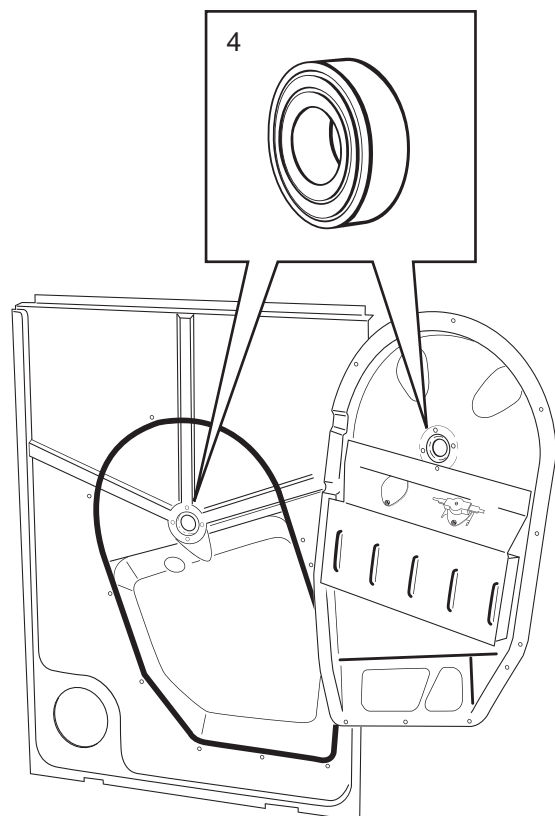
7. Remove the special tool.
8. Secure the rear panel to the side panels and bottom. Install the remaining wiring in accordance with the electrical schematic diagram and refit the disconnected cables, and the top cover.

### IMPORTANT

Don't forget the 2 star washers for the outermost screws.

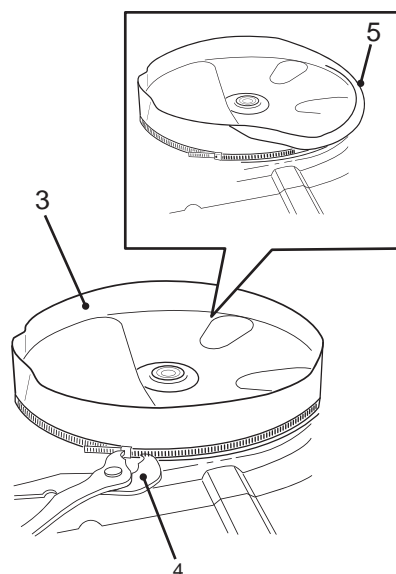
---

9. Tighten the centring nut.



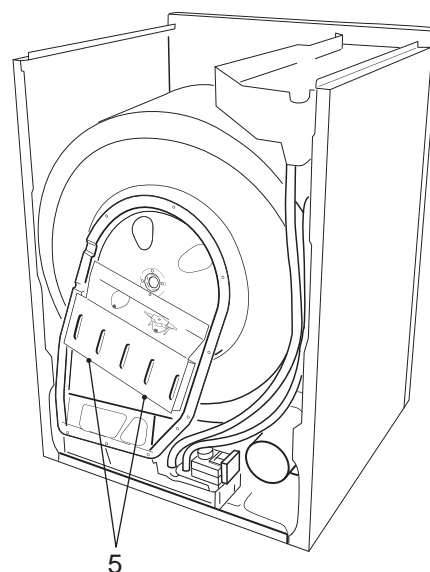
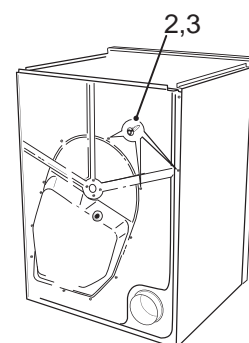
## Changing the rear felt strip seal

1. Remove the rear panel in accordance with the section "[Rear panel - removing...](#)".
2. Lift off the felt strip seal.
3. Thread the new felt strip into place.
4. Tighten the tensioning band around the felt strip, using the special tool.
5. Fold over the felt strip.
3. Fit the rear panel in accordance with the section "[Rear panel - installing...](#)".



## Changing/cleaning the heating element

1. Remove the three screws at the rear edge and lift off the top cover.
2. Remove the screws that secure the rear panel to the sides and bottom.
3. Remove screws that secure the inner and outer rear panels, along with the cable clamp.
4. Lift off the outer rear panel.
5. Unscrew the heating element.
6. Install a new heating element or clean the old one.
7. Secure the heating element.
8. Put the outer rear panel in place.
9. Secure the rear panels to each other.
10. Secure the rear panels to the machine.
11. Fit the top cover.



## IMPORTANT

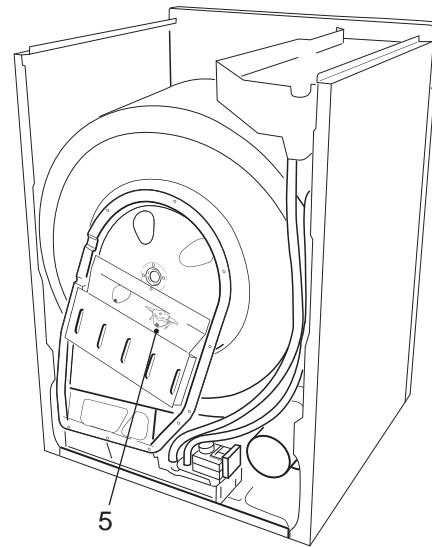
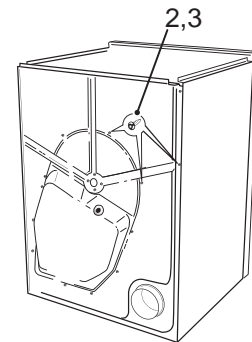
Don't forget the 2 star washers for the outermost screws.

## SERVICE

---

### Changing the overheating protection device

1. Remove the three screws at the rear edge and lift off the top cover.
2. Remove the screws that secure the rear panel to the sides and bottom.
3. Remove the screws that secure the inner and outer rear panels, along with the cable clamp.
4. Lift off the outer rear panel.
5. Unscrew the overheating protection device.
6. Fit the new overheating protection device.
7. Secure the overheating protection device.
8. Put the outer rear panel in place.
9. Secure the rear panels to each other.
10. Secure the rear panels to the machine.
11. Fit the top cover.



### **IMPORTANT**

Don't forget the 2 star washers for the outermost screws.

---

## INPUT TERMINAL BLOCK

### Removing the input terminal block

1. Remove the three screws at the rear edge and lift off the top cover.
2. Remove the earth screw.
3. Remove all the wiring.
4. Press in the latches with a screwdriver and pull out the input terminal block.

### NOTE

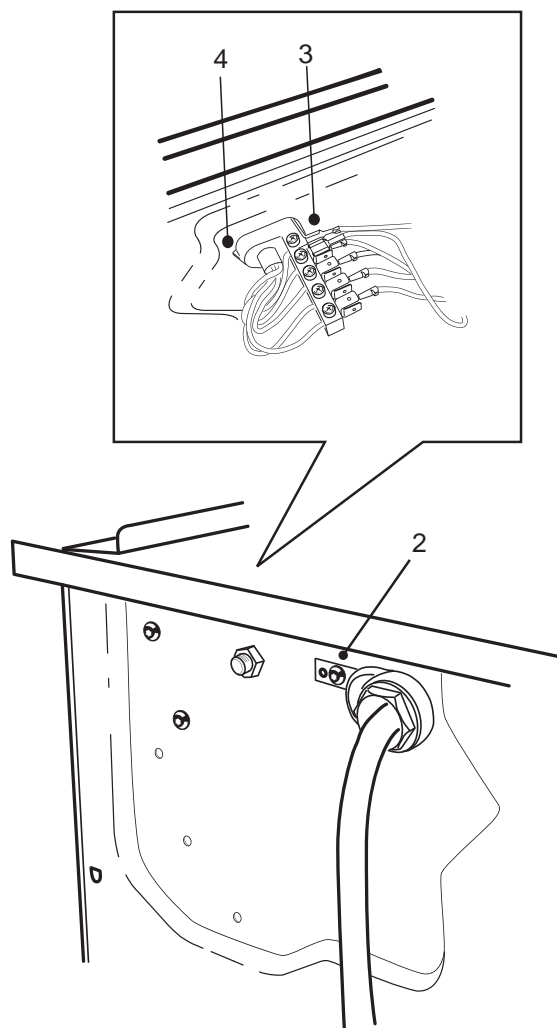
Ensure that the right wires go to the right places when changing the input terminal block and the wiring.

### Installing the input terminal block

5. Fit the input terminal block, the latches must snap on to the edge of the plate.
6. Install the wiring in accordance with the electrical schematic diagram.
7. Secure the earth screw.
8. Fit the top cover.

### IMPORTANT

Don't forget the 2 star washers for the outermost screws.



# SERVICE

---

## RADIO INTERFERENCE FILTER (T760/780)

### Removing the radio interference filter

1. Remove the three screws at the rear edge and lift off the top cover.
2. Disconnect the wiring from the radio interference filter.
3. Unscrew the nut securing the filter.

### Installing the radio interference filter

4. Fit the radio interference filter.
5. Install the wiring in accordance with the labels on the wires.

### IMPORTANT

---

Connect the wires to the correct flat pin connectors.

---

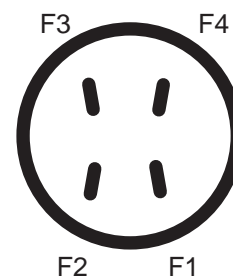
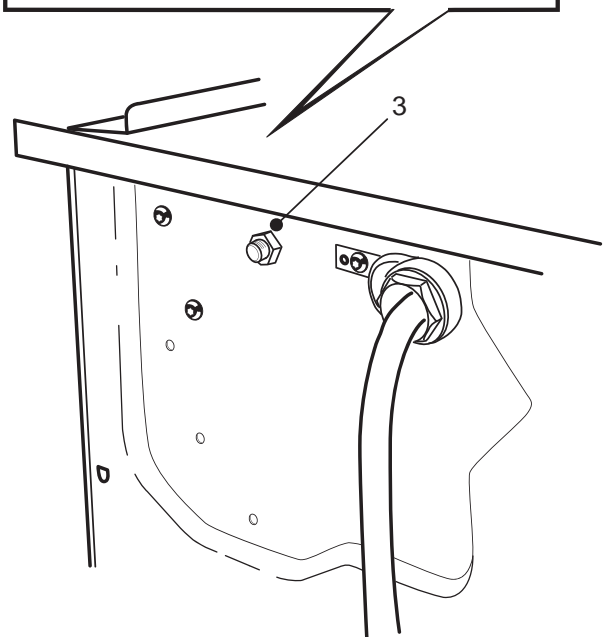
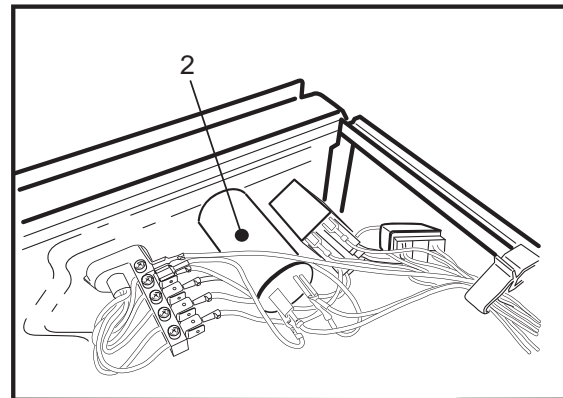
6. Fit the top cover.

### IMPORTANT

---

Don't forget the 2 star washers for the outermost screws.

---



**CONTACTOR**

**Removing the contactor**

1. Remove the three screws at the rear edge and lift off the top cover.
2. Remove the wiring to the contactor.
3. Unscrew the 2 screws that secure the contactor.

**Installing the contactor**

4. Fit the contactor.
5. Install the wiring in accordance with the labels on the wires.

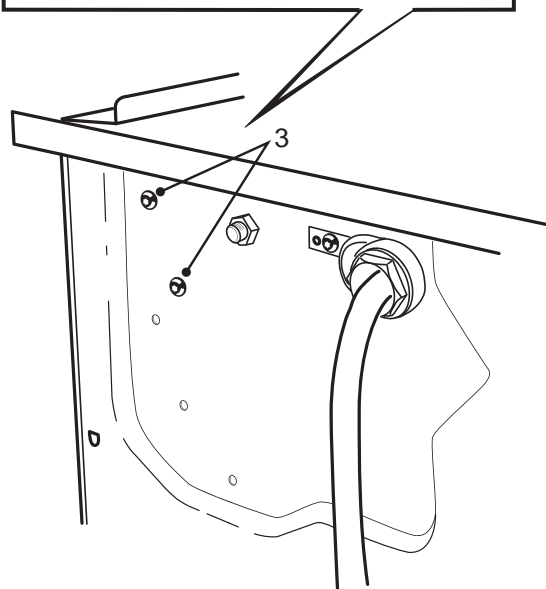
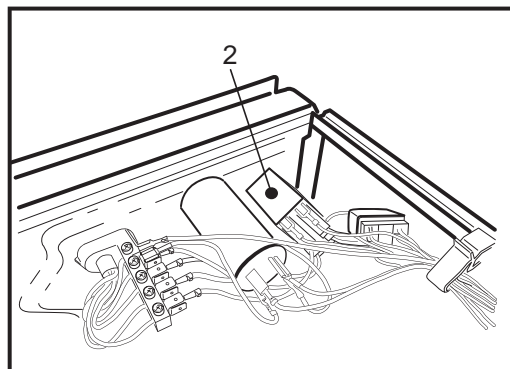
**IMPORTANT**

Connect the wires to the correct flat pin connectors.

6. Fit the top cover.

**IMPORTANT**

Don't forget the 2 star washers for the outermost screws.



Ra / R1 a	●	●	Rb / R1 b
R13 / R1 13	●	●	R14 / R1 14
R23 / R1 23	●	●	R24 / R1 24
R33 / R1 33	●	●	R34 / R1 34
R43 / R1 43	●	●	R44 / R1 44

## SERVICE

---

### FUSE T760/780

#### Changing the fuse

1. Remove the fuse holder insert with a screwdriver (1/4 turn).
2. Change the fuse.

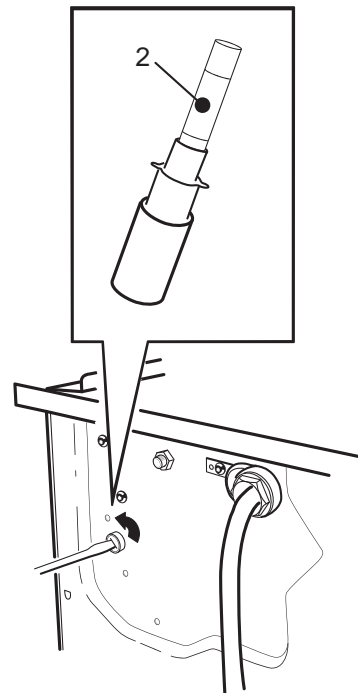
#### IMPORTANT

---

The fuse must be of 250V and 6.3 Ampere type.

---

3. Fit the fuse holder insert with the fuse into the fuse holder.



#### Changing the fuse holder/insert

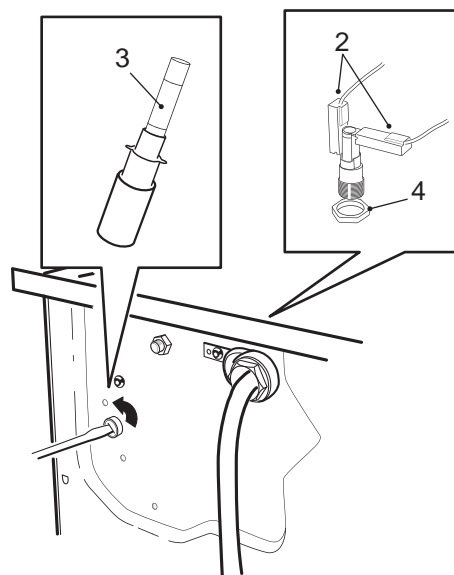
1. Remove the three screws at the rear edge and lift off the top cover.
2. Remove the wiring that goes to the fuse holder.
3. Remove the fuse holder insert with a screwdriver (1/4 turn).
4. Unscrew the fuse holder.
5. Fit the new fuse holder.
6. Connect the wiring.
7. Install the fuse holder and its insert.
8. Fit the top cover.

#### IMPORTANT

---

Don't forget the 2 star washers for the outermost screws.

---





## DRUM

### Removing the drum

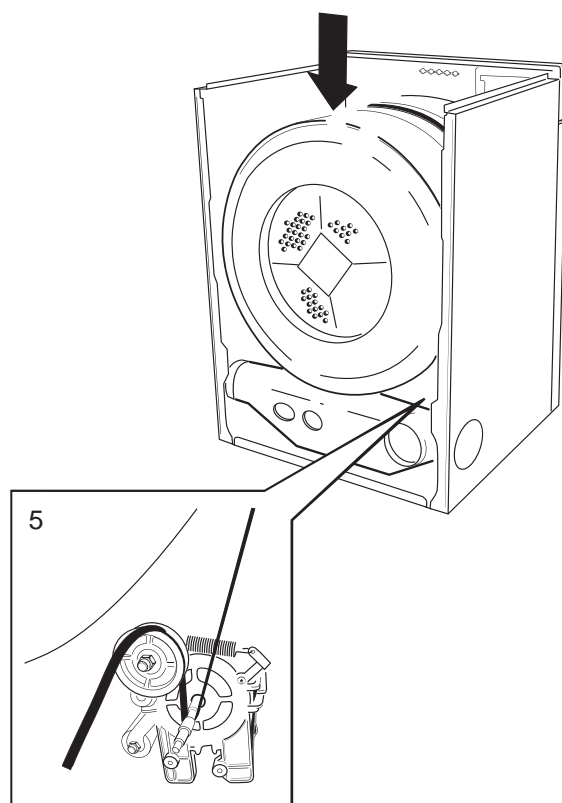
1. Remove the rear panel in accordance with the section "[Rear panel - removing...](#)".
2. **T720/780:** Remove the external fan housing in accordance with the section "[External fan housing - removing...](#)" steps 2-4.
3. Remove the special tool.
4. Remove the belt from the belt tensioner.
5. Lift out the drum while taking off the belt.

### Installing the drum

6. Feed the belt over the drum.
7. Feed the belt on to the motor shaft and over the belt tensioner.
8. Offer up the drum against the front frame and install the special tool.
9. **T720/780:** Install the external fan housing in accordance with the section "[External fan housing - installing...](#)" steps 5-7.
10. Install the rear panel in accordance with the section "[Rear panel - installing...](#)".

### Changing the drive belt

1. Remove the rear panel in accordance with the section "[Rear panel - removing...](#)".
2. **T720/780:** Remove the external fan housing in accordance with the section "[External fan housing - removing...](#)" steps 2-4.
3. Remove the special tool.
4. Remove the belt from the belt tensioner and take off the belt.
5. Feed the belt over the drum, on to the motor shaft and over the belt tensioner.
6. Install the special tool.
7. **T720/780:** Install the external fan housing in accordance with the section "[External fan housing - installing...](#)" steps 5-7.
8. Install the rear panel in accordance with the section "[Rear panel - installing...](#)".



## SERVICE

---

### Changing the drum ridge

1. Remove the three screws at the rear edge and lift off the top cover.
2. Unscrew the 5 screws that secure the drum ridge.

#### NOTE

---

Rotate the drum until you can gain access to the screws.

---

3. Secure the new drum ridge.

#### WARNING

---

The drum ridges must be installed in each direction, see the illustration.

---

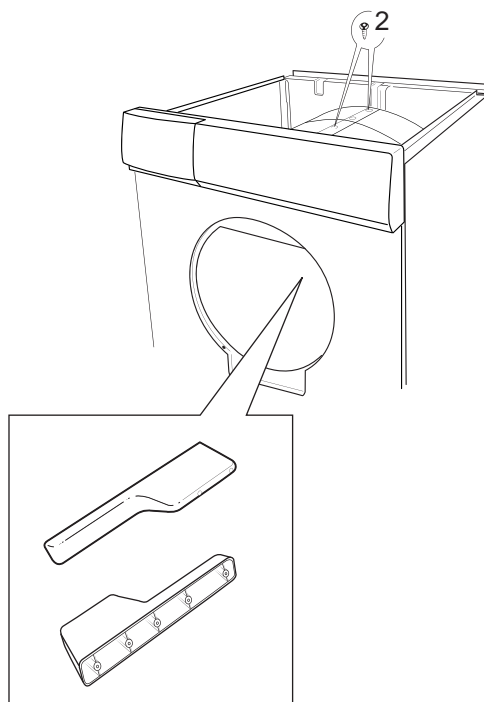
4. Fit the top cover.

#### IMPORTANT

---

Don't forget the 2 star washers for the outermost screws.

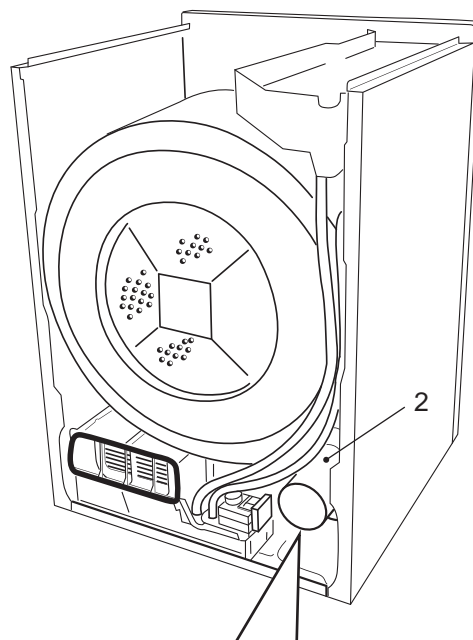
---



## EXTERNAL FAN HOUSING (T720/780)

### Removing the external fan housing

1. Remove the rear panel in accordance with the section "[Rear panel - removing...](#)".
2. Unclip the external fan housing suction side.
3. Unscrew the external fan wheel and remove it.
4. Lift and pull towards you the external fan housing motor side.



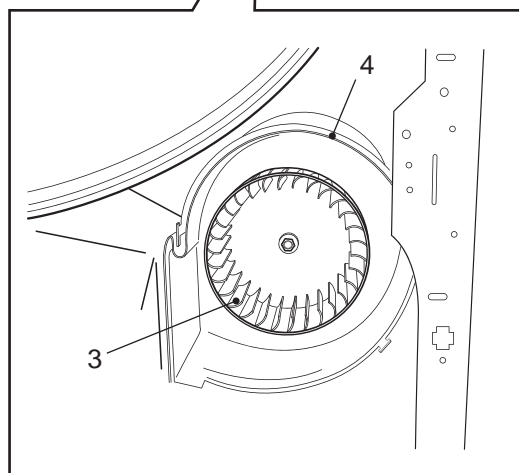
### Installing the external fan housing

5. Push the external fan housing motor side on to the motor shaft until the snap fastener locks at the bottom.
6. Install the fan wheel.
7. Install the external fan housing suction side.

### IMPORTANT

The snap fasteners must clip securely into place.

8. Install the rear panel in accordance with the section "[Rear panel - installing...](#)".

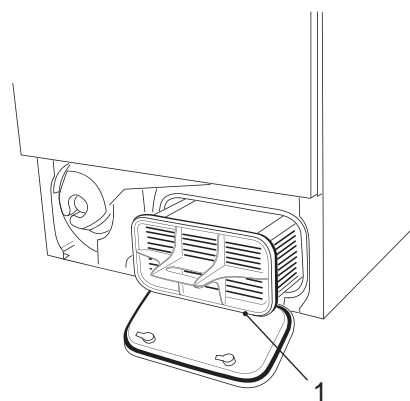


### Cleaning the external fan wheel

1. Open the cover and pull out the condenser assembly.
2. Put you arm in, bend the pins out of the way and clean inside.

### NOTE

You can also clean the fan wheel by removing the rear panel.



# SERVICE

---

## MOTOR

### Removing the motor

1. Remove the drum in accordance with the section "[Drum - removing...](#)".
2. Take off the bottom cover (snap fasteners).
3. Remove the fan housing cover (4 snap fasteners and 1 screw).
4. Unscrew the fan wheel.
5. **T720/780:** Remove the external fan housing in accordance with the section "[External fan housing - removing...](#)" steps 2-4.
6. Disconnect the wiring in the switch housing on the motor, and the earthing wire.
7. Unscrew the 4 screws securing the motor to the bottom plate.

### NOTE

---

To gain access to the screws the belt tensioner can be lifted off.

---

8. Lift out the motor.

### Installing the motor

9. Align the motor with the four holes and secure it.
10. Connect the wiring.

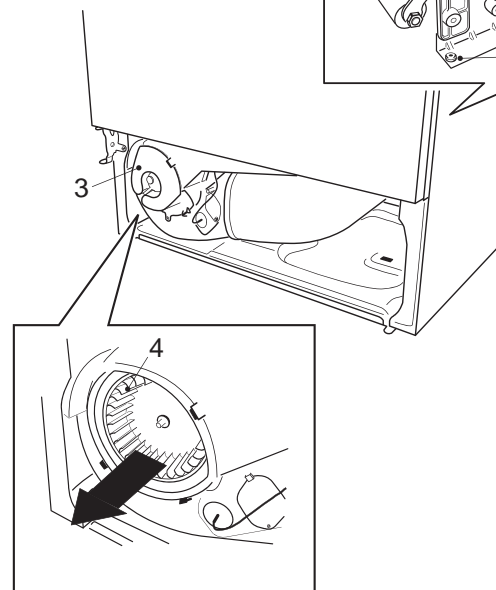
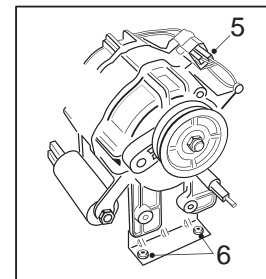
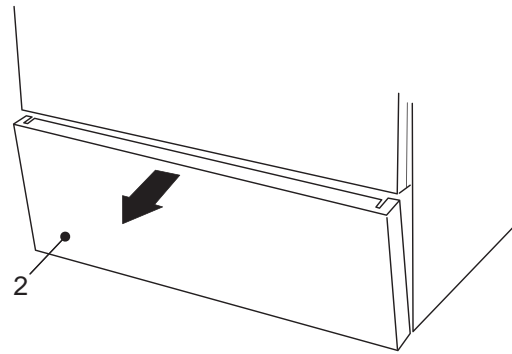
### IMPORTANT

---

Don't forget to put the belt tensioner back.

---

11. Install the fan wheel and the cover for the fan housing.
12. Put the bottom cover back.
13. **T720/780:** Install the external fan housing in accordance with the section "[External fan housing - installation...](#)" steps 5-7.
14. Install the drum in accordance with the section "[Drum - installation...](#)".



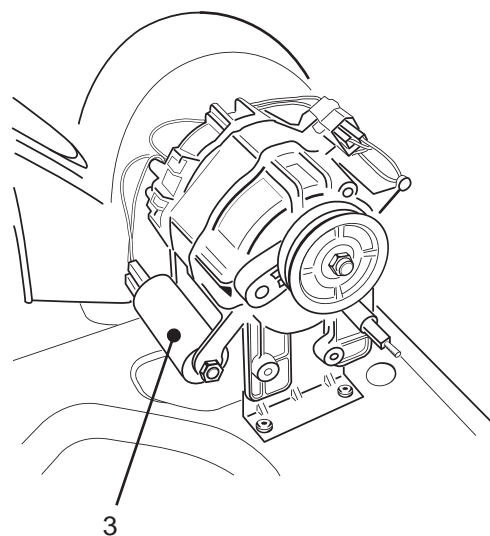
### Changing the capacitor

1. Remove the rear panel in accordance with the section "[Rear panel - removing...](#)".
2. **T720/780:** Remove the external fan housing in accordance with the section "[External fan housing - removing...](#)" steps 2-4.
3. Unscrew the capacitor.
4. Install a new capacitor and connect the wiring.

### IMPORTANT

Ensure the wiring connections are correct.

5. **T720/780:** Install the external fan housing in accordance with the section "[External fan housing - installation...](#)" steps 5-7.
6. Install the rear panel in accordance with the section "[Rear panel - installation...](#)".



# SERVICE

---

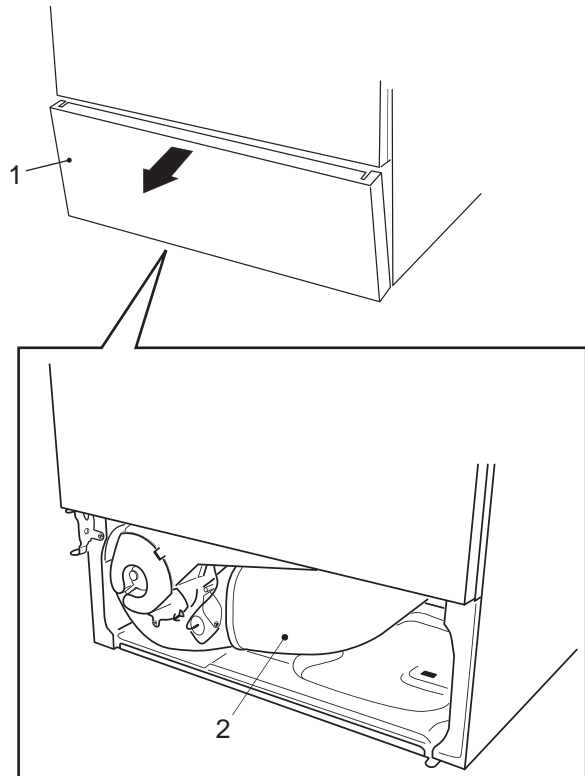
## AIR EXTRACTION SYSTEM

### Removing the exhaust air duct hook

1. Remove the bottom cover.
2. Take hold of the duct hook and twist it free.

### Installing exhaust air duct hook

3. Push one end into the exhaust air duct T-piece.
4. Press it on to the exhaust front lip.



### Removing the exhaust air duct T-piece

1. Remove the exhaust air duct hook.
2. Take off the two exhaust covers from the side and/or rear panels by pressing with a screwdriver on the three latches.
3. Lift out the exhaust air duct T-piece.

### Installing the exhaust air duct T-piece

4. Position the exhaust air duct T-piece on the bottom.
5. Install both exhaust covers.

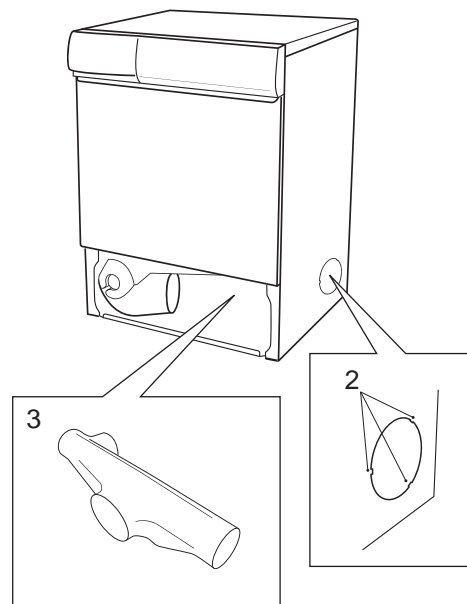
## IMPORTANT

---

The covers must be connected to the T-piece outlets.

---

6. Install the exhaust air duct hook.



## HUMIDITY SENSOR

### Removing the humidity sensor

1. Remove the three screws at the rear edge and lift off the top cover.
2. Take off the bottom cover (snap fasteners).
3. Use a screwdriver to remove the plugs.
4. Remove the cover for the fan housing (4 snap fasteners and 1 screw).
5. Unscrew the 2 screws that secure the sensor to the cover.
6. Lift out the humidity sensor.

### NOTE

To check if the humidity sensor is faulty, a new sensor can be installed in the fan housing, with its wire taken outside the machine to the control board/programmer.

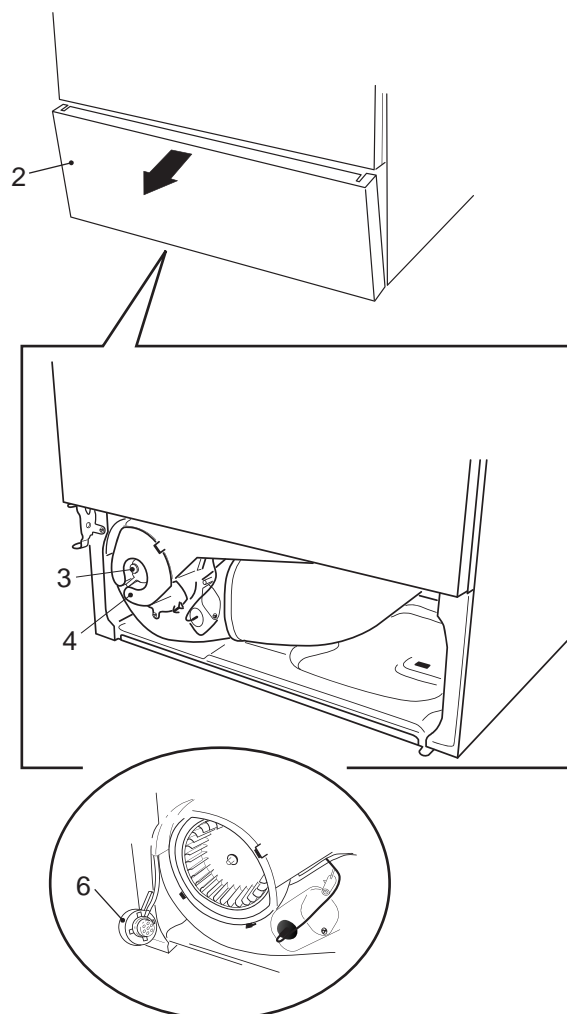
7. Remove the drum in accordance with the section "[Drum - removing...](#)".
8. Remove the humidity sensor from the control board and the wiring from the front frame.
9. Pull out the sensor's connecting cable.

### Installing humidity sensor

10. Route the humidity sensor's connecting cable up to the control board.
11. Secure the cable in the cable clamps and connect the plug to the control board.
12. Install the drum in accordance with the section "[Drum - installation...](#)".
13. Secure the humidity sensor inside the cover and protection.
14. Install the plugs and the cover for the fan housing.
15. Install the bottom and top covers.

### IMPORTANT

Don't forget the 2 star washers for the outermost screws.



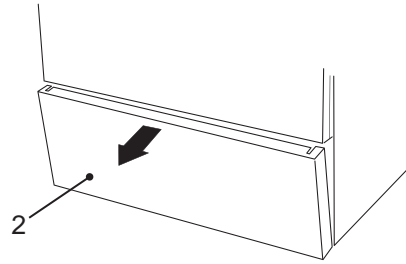
# SERVICE

---

## THERMOSTAT (T700/T720)

### Removing the thermostat

1. Remove the three screws at the rear edge and lift off the top cover.
2. Take off the bottom cover (snap fasteners).
3. Unscrew the protection.
4. Unscrew the thermostats and remove the wiring.



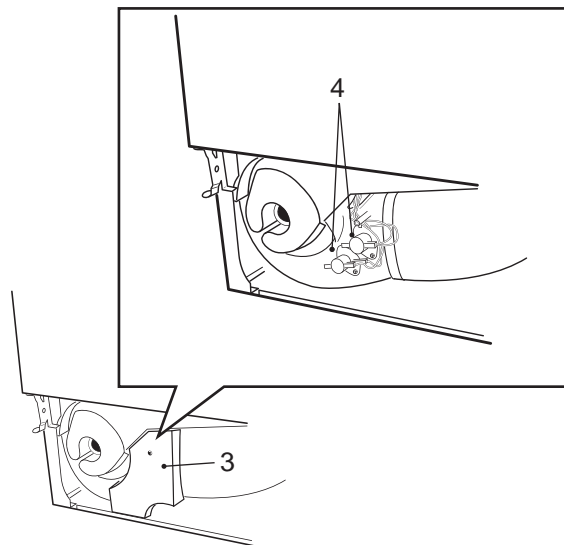
### Installing the thermostat

5. Install the thermostats and the wiring.
6. Install the protection, bottom and top covers.

### IMPORTANT

Don't forget the 2 star washers for the outermost screws.

---





## THERMISTOR (T760/780)

### Removing the thermistor

1. Remove the three screws at the rear edge and lift off the top cover.
2. Take off the bottom cover (snap fasteners).
3. Remove the protection.
4. Take out the thermistor with the aid of flat-nose pliers.

### NOTE

To check if the thermistor is faulty, a new thermistor can be installed in the fan housing, with its wire taken outside the machine to the control board/programmer.

5. Remove the drum in accordance with the section "[Drum - removing...](#)".
6. Remove the thermistor from the control board and the cable from the front frame.
7. Pull out the thermistor's connecting cable.

### Installing the thermistor

8. Route the thermistor's connecting cable up to the control board.
9. Secure the cable in the cable clamps and connect the plug to the control board.
10. Install the thermistor.

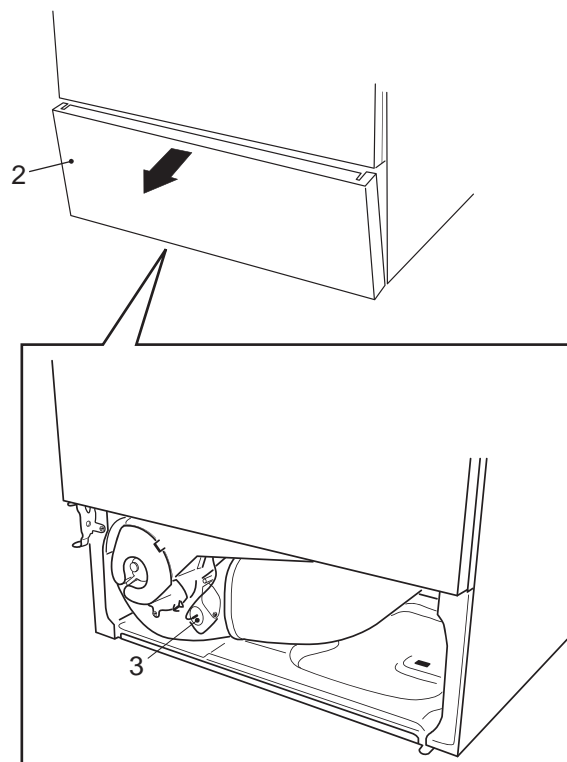
### NOTE

The rubber seal for the thermistor must provide a very tight seal

11. Install the drum in accordance with the section "[Drum - installation...](#)".
12. Install the protection, bottom and top covers.

### IMPORTANT

Don't forget the 2 star washers for the outermost screws.



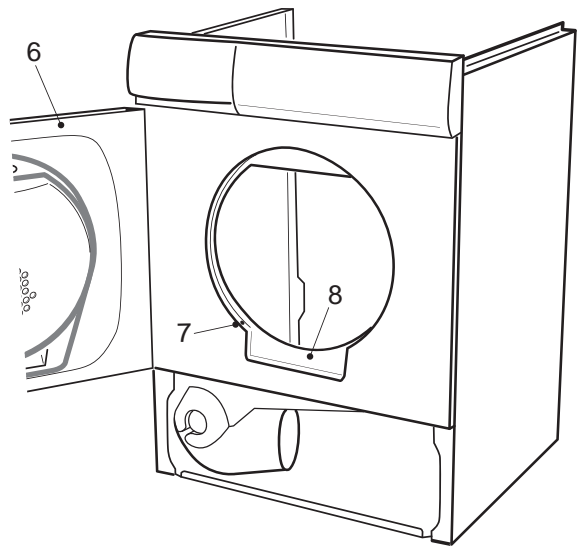
## SERVICE

---

### FRONT FRAME

#### Removing the front frame

1. Remove the motor in accordance with the section "[Motor removing...](#)".
2. **T700/760:** Remove the hooked exhaust duct by twisting it free.
3. Remove the wire bundle from the cable clamps on the front frame.
4. Remove the fan housing cover (4 snap fasteners and 1 screw).
5. Take out the thermistor with the aid of flat-nose pliers.
6. Open the front door.
7. Unscrew the 4 screws that secure the front frame to the front panel.
8. Lift out the front frame.



#### Installing the front frame

9. Offer up the front frame against the front panel.
10. Tighten the 4 screws that secure the front frame to the front panel.
11. Install the thermistor.
12. Install the fan housing cover (4 snap fasteners and 1 screw).
13. Put the cable bundle into the cable clamps.
14. **T700/760:** Install the exhaust duct hook by pressing it on to the front frame exhaust lip.
15. Install the motor in accordance with the section "[Motor installation...](#)".

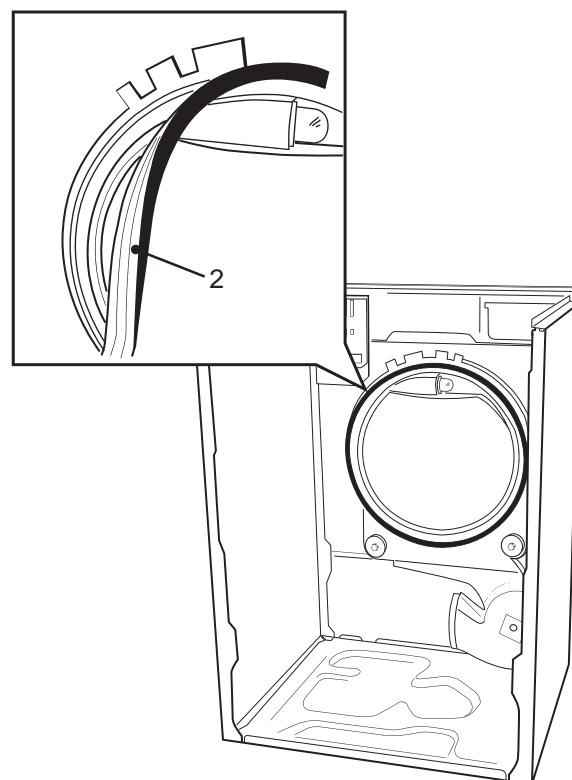
## Changing the front felt seal

1. Remove the drum in accordance with the section "[Drum - removing...](#)".
2. Remove the seal.
3. Install the new seal evenly distributed around the groove.

### IMPORTANT

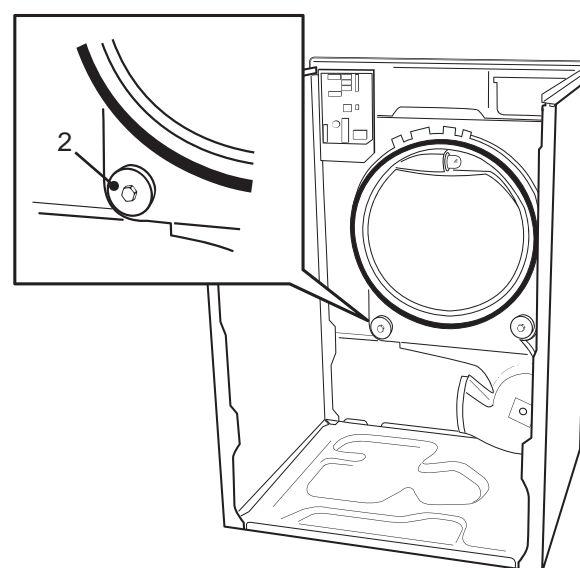
The strip must be pressed firmly all around the groove.

4. Install the drum in accordance with the section "[Drum - installation...](#)".



## Changing the support roller

1. Remove the front frame in accordance with the section "[Front frame - removing...](#)".
2. Unscrew the support roller.
3. Install the new support roller.
4. Install the front frame in accordance with the section "[Front frame - installation...](#)".

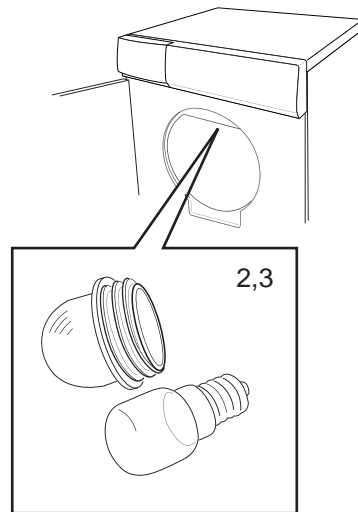


## SERVICE

---

### Changing the lamp/glass

1. Open the front door.
2. Unscrew the lamp glass.
3. Change the lamp.
4. Screw the lamp glass back on.
5. Close the front door.



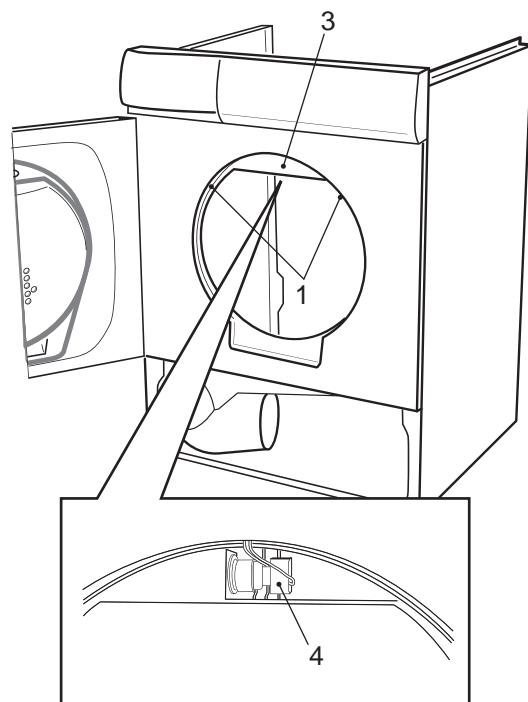
### Changing the lamp socket

1. Remove the drum in accordance with the section "[Drum - removing...](#)".
2. Unscrew the two upper screws that secure the front frame.
3. Remove the lamp housing cover.
4. Remove the lamp socket.
5. Remove the wiring from the old lamp socket and connect it to the new socket.

### IMPORTANT

Ensure the wiring connections are correct.

6. Install the lamp housing cover.
7. Secure the front frame.
8. Install the drum in accordance with the section "[Drum - installation...](#)".



## FRONT DOOR

### Removing the front door

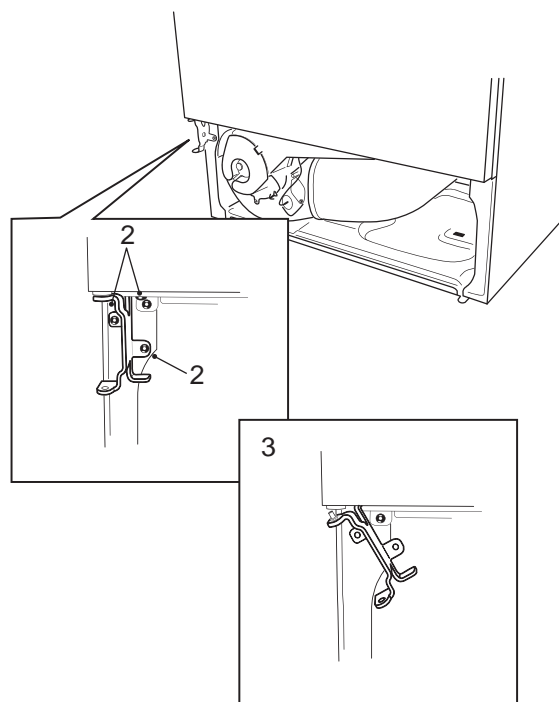
#### NOTE

The front door must remain closed during the entire removal procedure; the door magnet will hold it in place.

2. Unscrew and remove the 3 screws that secure the hinge fixture.
3. Lift down the front door.

### Installing the front door

4. Offer up the front door against the hinge socket in the panel.
5. Close the front door so that the door magnet holds it in place.
6. Put the hinge pin into its socket.
7. Tighten the 3 screws that secure the hinge fixture.
8. Install the bottom cover



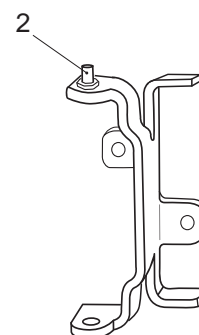
### Changing the hinge pin

1. Remove the front door.
2. Unscrew the hinge pin.

#### NOTE

The illustration shows the lower hinge fixture. The hinge pin is installed in a similar manner in the upper hinge fixture.

3. Install the hinge pin.
4. Install front door.

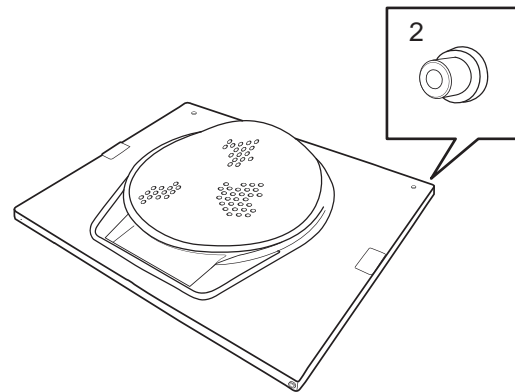


## SERVICE

---

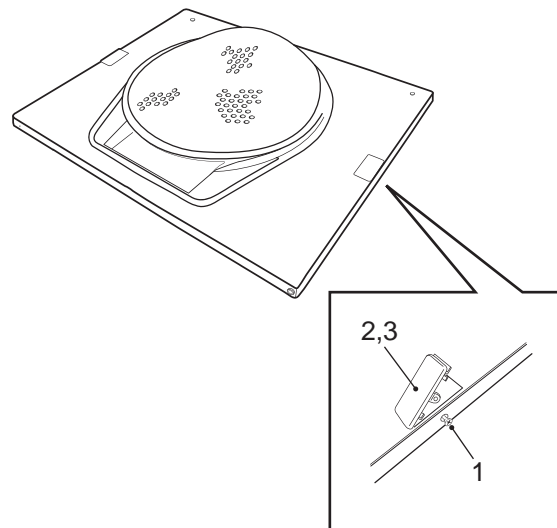
### Changing the hinge socket

1. Remove the three screws that secure the lower hinge and twisting it free, take off the front door.
2. Change the hinge socket.
3. Hang the front door back on with the aid of the door magnet and secure the hinge.



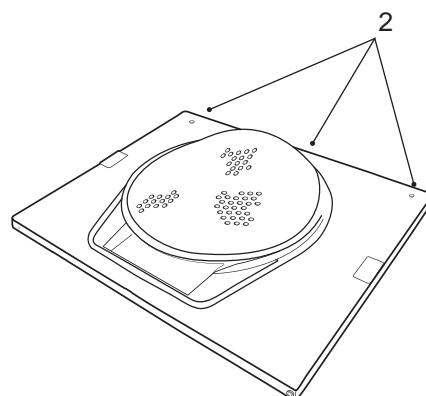
### Changing the door magnet/escutcheon plate

1. Half unscrew the screws in the side of the front door.
2. **Door magnet:** Push the door magnet upwards and pull it outwards.
3. **Escutcheon plate:** Press the plate down and pull it outwards.
4. Install a new magnet/escutcheon plate and tighten the screws.



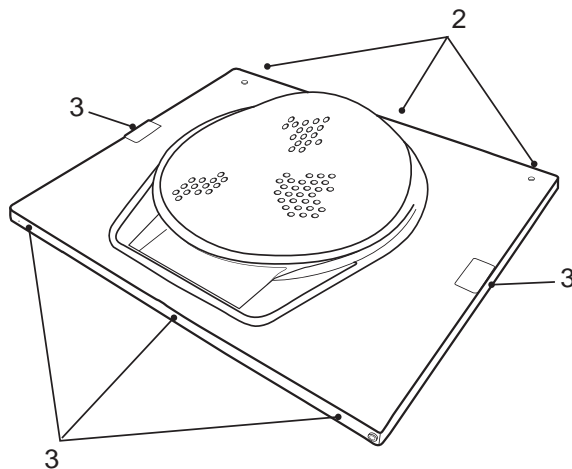
### Changing the handle

1. Remove the three screws that secure the lower hinge and twist it free, lift off the front door.
2. Unscrew the 3 screws that secure the handle to the front door.
3. Offer up the new handle.
4. Secure the handle with the 3 screws.
5. Put the front door back on, keep it in position with the aid of the door magnet, and secure the hinge.



## Changing the inner door

1. Remove the three screws that secure the lower hinge and twist it free, lift off the front door.
2. Unscrew the handle.
3. Unscrew the 2 screws at the side of the front door and the 3 at the lower edge.
4. Lift out the inner door with the filter holder.
5. Offer up the new inner door to the front door.
6. Secure the 2 screws at the sides of the front door and the 3 at the lower edge.
7. Fit the handle.
8. Put the front door back on, keep it in position with the aid of the door magnet, and secure the hinge.



## Changing the outer door seal

1. Open the front door.
2. Pull the seal out of its groove.
3. Fit a new seal.

### NOTE

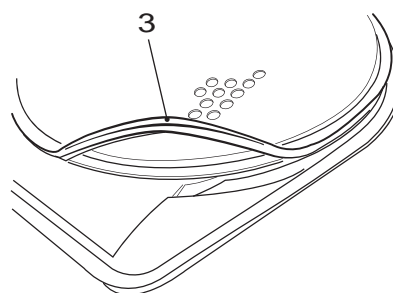
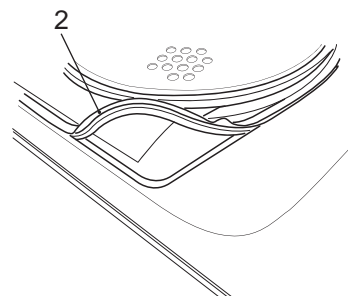
You can use soapy water to make installation easier.

### IMPORTANT

Press the seal firmly down into its groove.

## Changing the inner door seal

1. Open the front door.
2. Open the filter holder.
3. Peel the strip off the edge.
4. Install a new strip by easing it over all round the edge.



## SERVICE

---

### Changing/cleaning the filter holder

1. Open the front door.
2. Pull out the filter holder and take out the double filter.
3. Squeeze the snap fasteners inwards while at the same time lifting the filter holder out of the inner door.

### IMPORTANT

Take care when lifting the filter holder out not to damage it.

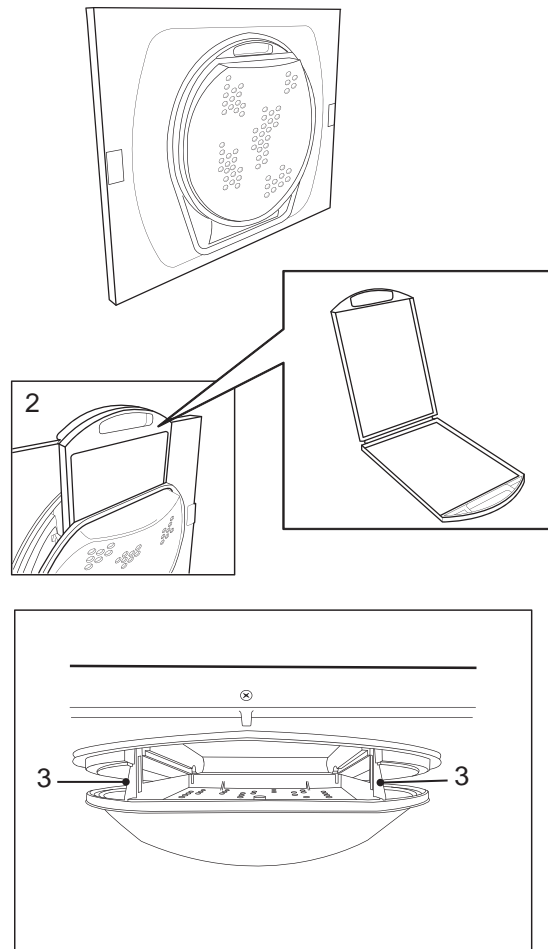
---

### NOTE

Clean the filter holder if necessary.

---

4. Install it by first inserting the snap fasteners at the top edge of the inner door.
5. Then push in the lower edge.



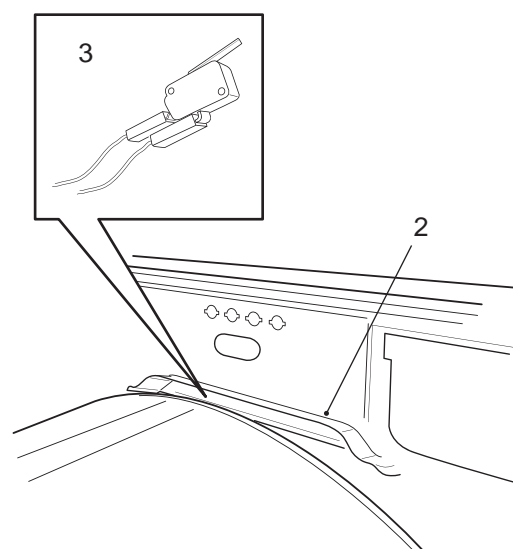
### Changing the door switch

1. Remove the three screws at the rear edge and lift off the top cover.
2. Bend up the protection.
3. Prise off the door switch with the aid of a screwdriver.
4. Transfer the wiring to the new door switch and connect it up.
5. Bend down the protection.
6. Fit the top cover.

### IMPORTANT

Don't forget the 2 star washers for the outermost screws.

---



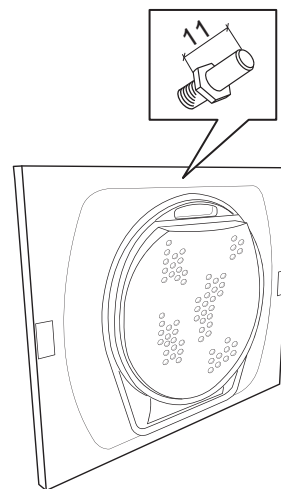


## Changing the door switch pin

1. Drill a 4 mm diameter hole where the old pin was.
2. Fit a hinge pin (part no.: 80 618 04) into the hole.

### **IMPORTANT**

Fit the pin so that it projects by 11 mm.



# SERVICE

---

## FRONT PANEL

### Removing front panel

1. Remove the three screws at the rear edge and lift off the top cover.
2. Remove the three screws that secure the lower hinge and twist it free, lift off the front door.
3. Unscrew the 4 screws that secure the front frame to the front panel.
4. Unscrew the 4 screws that secure front panel to the side panels.
5. Unscrew the 2 screws that secure the bottom edge of the front panel.
6. Lift off the front panel.

### Installing front panel

7. Put the front panel into position.
8. Secure the 4 screws from the inside in the side panels.
9. Put the front door back on, keep it in position with the aid of the door magnet, and secure the hinge.
10. Secure the 2 screws that secure front panel at the bottom edge.

### IMPORTANT

---

Don't forget the 2 star washers.

---

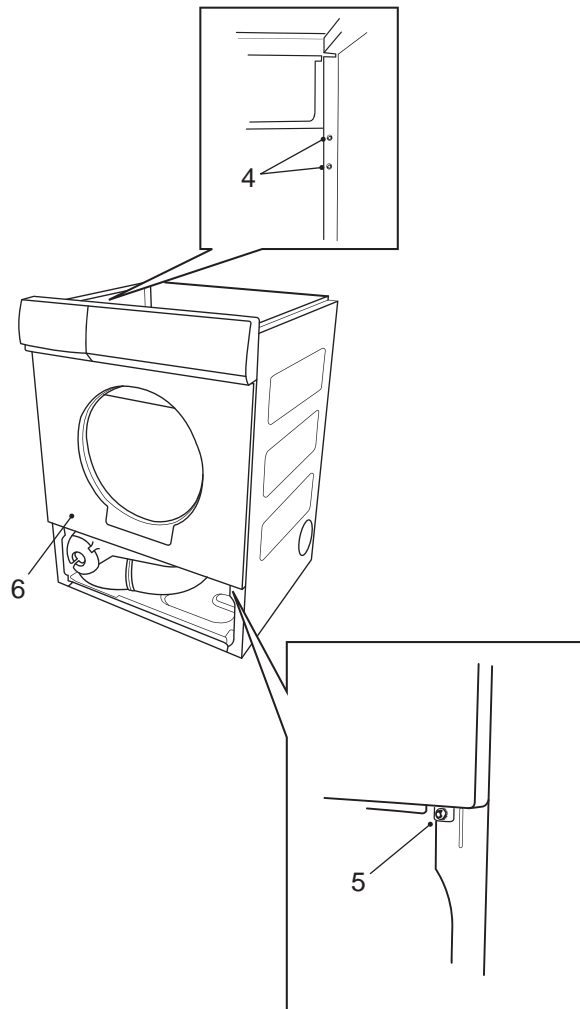
11. Secure the 4 screws that secure the front frame to the front panel.
12. Fit the top cover.

### IMPORTANT

---

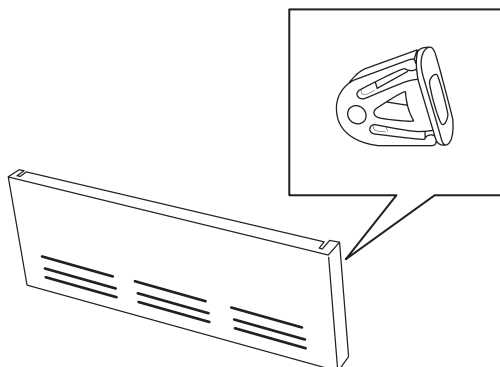
Don't forget the 2 star washers for the outermost screws.

---



## Changing the fixing clip for the bottom cover (female)

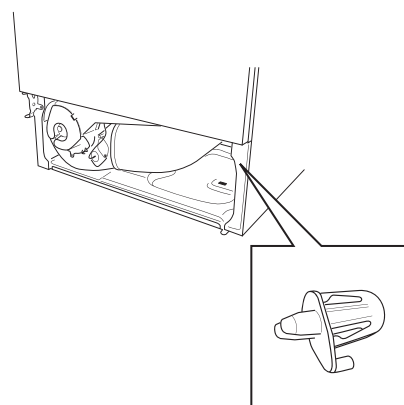
1. Remove the bottom cover.
2. Squeeze the snap fasteners and pull or push out the clip.
3. Install a new clip.
4. Install the bottom cover.



## Changing the fixing clip for the bottom cover (male)

### T700/760, Left T720/780:

1. Remove the bottom cover.
2. Squeeze the snap fasteners and pull or push out the clip.
3. Install a new clip.
4. Install the bottom cover.



### Right T720/780:

1. Remove the bottom cover.
2. Remove the condenser housing in accordance with the section "[Condenser housing - removing...](#)".
3. Squeeze and pull or push out the clip.
4. Install a new clip.
5. Install the condenser housing in accordance with the section "[Condenser housing - installation...](#)".
6. Install the bottom cover.

# SERVICE

---

## PANEL

### Removing the panel

1. Remove the three screws at the rear edge and lift off the top cover.
2. **T700/720:** Remove the knobs by pulling them outwards.

### IMPORTANT

---

Position the knobs with their markings facing up.

---

### NOTE

---

It is possible to use a polygrip (mole wrench) to remove the knobs, but in that case remember to put some soft material in the jaws so as not to scratch the plastic.

---

3. **T720/780:** Pull out the water tank.
4. **T720/780:** Unscrew the 2 screws that secure the panel to the front rail.
5. **T700/760:** Unscrew the 2 screws securing the front rail.
6. Remove the 4 snap fasteners at the bottom edge by bending the clips apart with a screwdriver with a 6.5 to 7 mm wide blade. Unhook the panel.

### WARNING

---

Take care when bending the clips apart not to damage the plastic snap fasteners in the panel.

---

### Installing the panel

7. **T700/720:** Guide the panel over the programming buttons.
8. Hook on the top edge of the panel and snap closed the 4 snap fasteners at the bottom edge.

### IMPORTANT

---

Support the centre with a screwdriver as the panel is pressed into place.

---

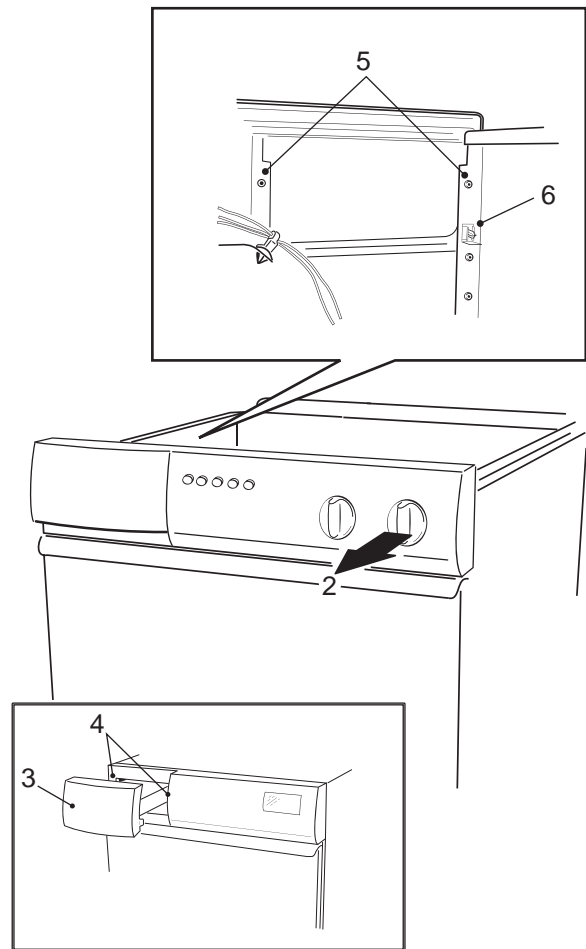
9. Refit the removed parts.

### IMPORTANT

---

Don't forget the 2 star washers for the outermost screws when installing the top cover.

---



### Changing the knobs (T700/720)

1. Remove the knobs by pulling them outwards.

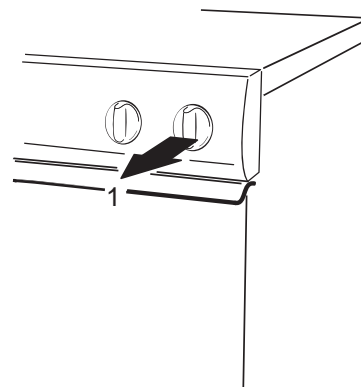
#### IMPORTANT

Position the knobs with their markings facing up.

#### NOTE

It is possible to use a polygrip (mole wrench) to remove the knobs, but in that case remember to put some soft material in the jaws so as not to scratch the plastic.

2. Fit the new knobs.

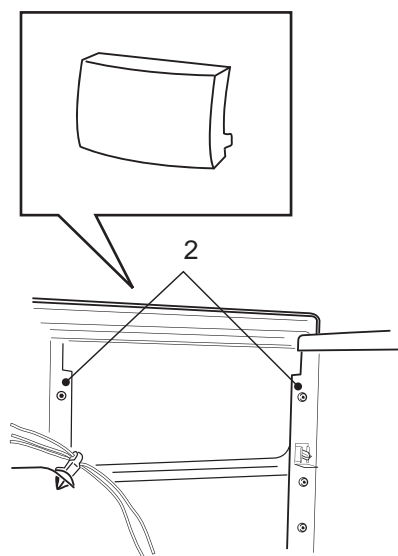


### Changing the panel handle

1. Remove the three screws at the rear edge and lift off the top cover.
2. T700/760: Unscrew the 2 screws securing the front rail.
3. Pull the handle off.
4. Fit the handle.
5. Fit the top cover.

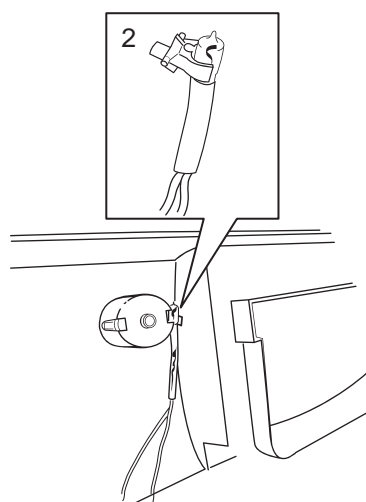
#### IMPORTANT

Don't forget the 2 star washers for the outermost screws.



### Changing the indication lamp/symbol lens

1. Remove the panel in accordance with the section "[Panel - removing...](#)".
2. Change the indication lamp/symbol lens.
3. Install the panel in accordance with the section "[Panel - installation...](#)".



# SERVICE

---

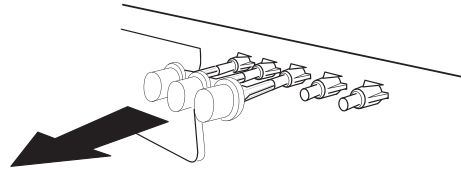
## Changing the programming buttons (T700/720)

1. Remove the panel in accordance with the section "[Panel - removing...](#)".
2. Change the buttons.

### NOTE

The buttons sit free on the push-button switches.

3. Install the panel in accordance with the section "[Panel - installation...](#)".



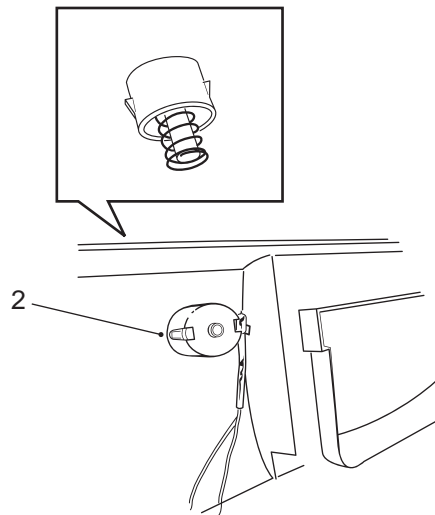
## Changing the main power button

1. Remove the panel in accordance with the section "[Panel - removing...](#)".
2. Press in the latches with a screwdriver and pull out the button.
3. Install the new button.

### IMPORTANT

Ensure that the spring is located in the button before installation.

4. Install the panel in accordance with the section "[Panel - installation...](#)".



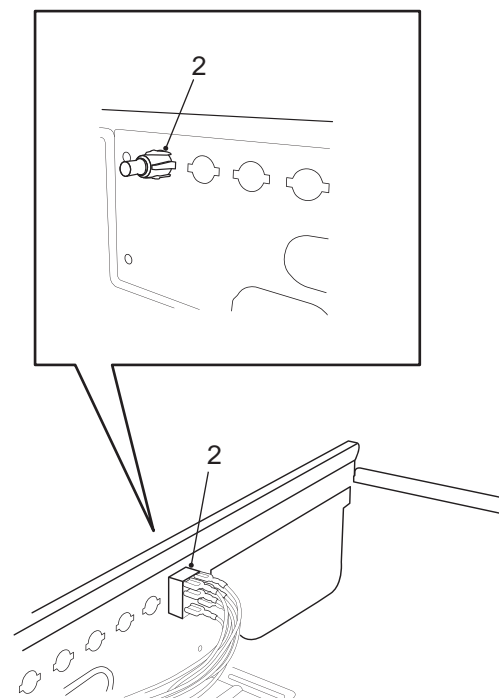
## Changing the push-button switches

1. Remove the panel in accordance with the section "Panel - removing...".
2. Get hold of the switch inside the machine and pull on it, while at the same time bending the wings at the front of the switch inwards with a screwdriver.

### IMPORTANT

Connect the correct wire to the correct terminal.

3. Press in the new push-button and check that the wings open out.
4. Install the panel in accordance with the section "Panel - installation...".

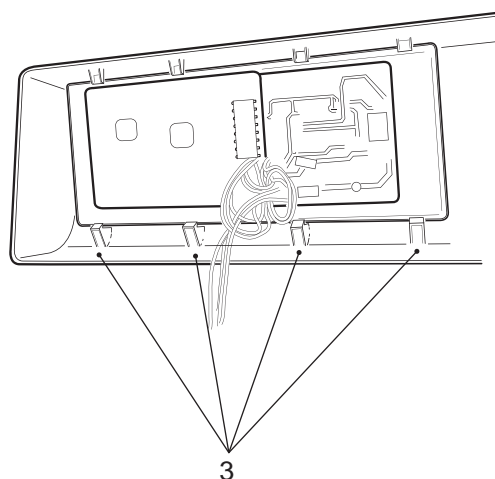


## Changing the DCU panel board (T760/780)

### WARNING

An earthed EMC wristband must be worn at all times when working with electronic components to prevent damage to them.

1. Remove the three screws at the rear edge and lift off the top cover.
2. Remove the panel in accordance with the section "Panel - removing...".
3. Remove the panel board from the snap fasteners with the aid of a screwdriver.
4. Lift it out.
5. Install the panel board.
6. Install the panel in accordance with the section "Panel - installation...".
7. Fit the top cover.



### IMPORTANT

Don't forget the 2 star washers for the outermost screws.

## SERVICE

---

### Changing the push-buttons (T760/780)

#### **WARNING**

An earthed EMC wristband must be worn at all times when working with electronic components to prevent damage to them.

1. Remove the three screws at the rear edge and lift off the top cover .
2. Remove the panel in accordance with the section "[Panel - removing...](#)".
3. Remove the panel board with snap fasteners.
4. Lift out the button sheet with the push-buttons.

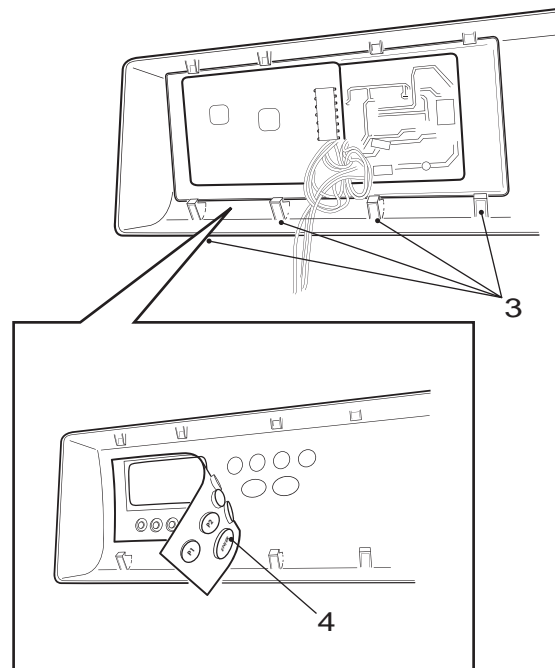
#### **IMPORTANT**

Take care when installing the push-buttons to get them in the correct locations.

5. Install the push-buttons and the panel board.
6. Install The panel in accordance with the section "[Panel - installation...](#)".
7. Fit the top cover.

#### **IMPORTANT**

Don't forget the 2 star washers for the outermost screws.





## PROGRAMMER

### Removing the programmer

1. Remove the three screws at the rear edge and lift off the top cover.
2. Remove the outermost knob by first turning it until the markings are upright, then pulling it off.

### NOTE

It is possible to use a polygrip (mole wrench) to remove the knobs, but in that case remember to put some soft plastic in the jaws so as not to scratch the plastic.

3. Insert a screwdriver into one of the holes and press in the latch at the same time as turning the programmer slightly. Do the same with the other latch.
4. Move the programmer sideways and pull it out.

### IMPORTANT

When changing the programmer, ensure that the wires are connected correctly to the flat pin terminals.

### Installing the programmer

5. Position the programmer in the holes in the front and main panels.

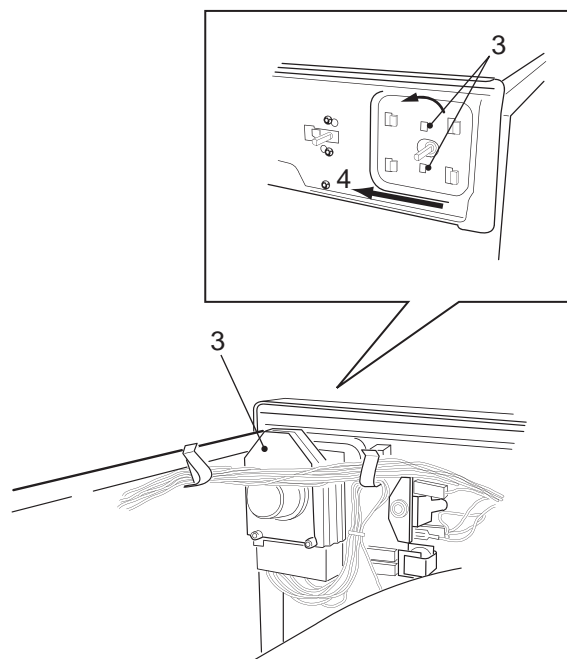
### IMPORTANT

Fit the 4 hooks into the square holes in the front rail.

6. Move the programmer sideways so it snaps into place.
7. Refit the knob.
8. Fit the top cover.

### IMPORTANT

Don't forget the 2 star washers for the outermost screws.

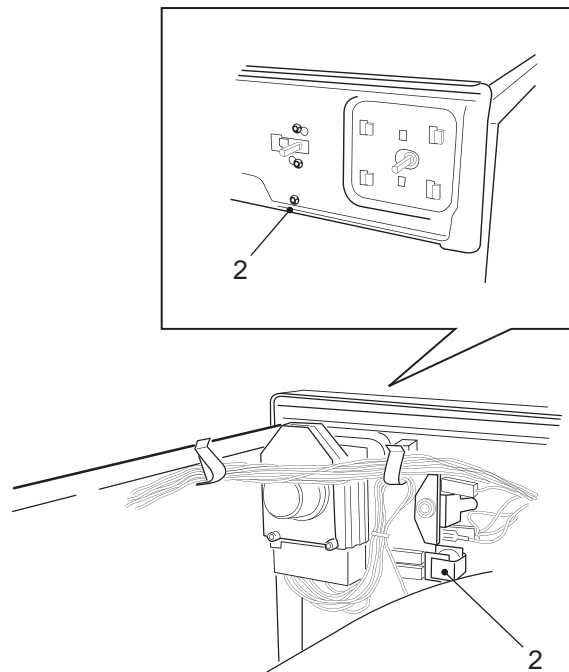


## SERVICE

---

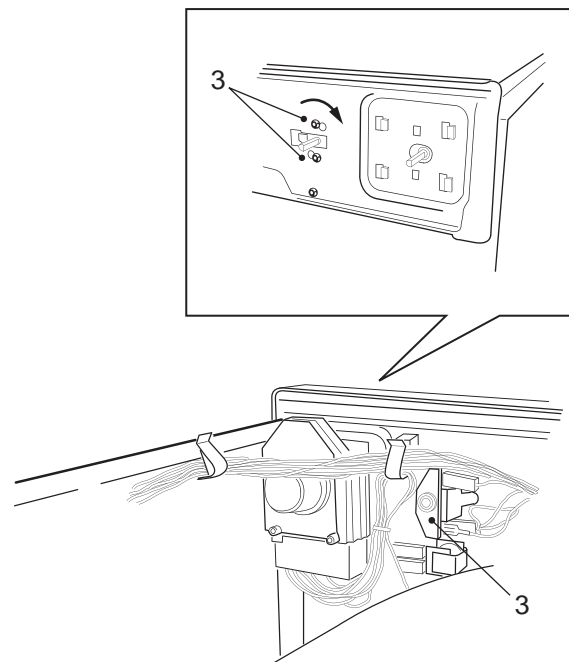
### Changing the buzzer

1. Remove the panel in accordance with the section "[Panel - removing...](#)".
2. Unscrew the buzzer.
3. Fit a new buzzer.
4. Install the panel in accordance with the section "[Panel - installation...](#)".



### Changing the rotary selector

1. Remove the three screws at the rear edge and lift off the top cover.
2. Turn the selector so that its markings are upright, then pull it off.
3. Put a screwdriver through the hole and remove the screws. Turn the rotary selector and pull it backwards.
4. Remove the wiring.
5. Install a new rotary selector.
6. Fit the top cover.



### **IMPORTANT**

Don't forget the 2 star washers for the outermost screws.

---

## ELECTRONIC CONTROL UNIT

### WARNING

An earthed EMC wristband must be worn at all times when working with electronic components to prevent damage to them.

### Changing the electronic control unit

1. Remove the three screws at the rear edge and lift off the top cover.
2. Remove the wiring from the integral cable clamps in the electronic control unit holder.
3. Unclip the electronic control unit from its holder.
4. Remove all the wiring from the control unit.

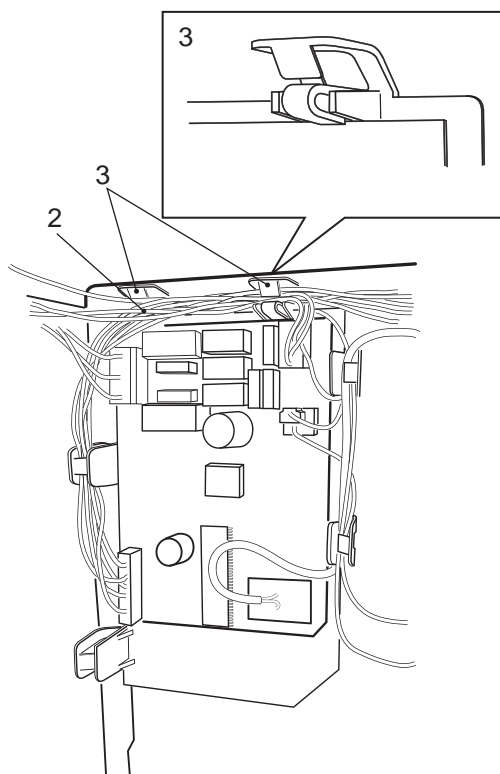
### WARNING

Ensure that all wires and connection blocks are connected correctly.

5. Connect all the wiring to the new control unit.
6. Snap the control unit into its holder.
7. Fit the top cover.

### IMPORTANT

Don't forget the 2 star washers for the outermost screws.



## SERVICE

---

### Removing the electronic control unit with its holder

1. Remove the three screws at the rear edge and lift off the top cover.
2. Remove the panel in accordance with the section "[Panel - removing...](#)".
3. Press in the 2 snap fasteners.
4. Move the assembly sideways and remove it.
5. Remove the wiring.

### Installing electronic control unit with its holder

6. Install the wiring in accordance with its labels.
7. Offer up the holder to the front rail.

#### **IMPORTANT**

---

Fit the 4 hooks into the square holes in the front rail.

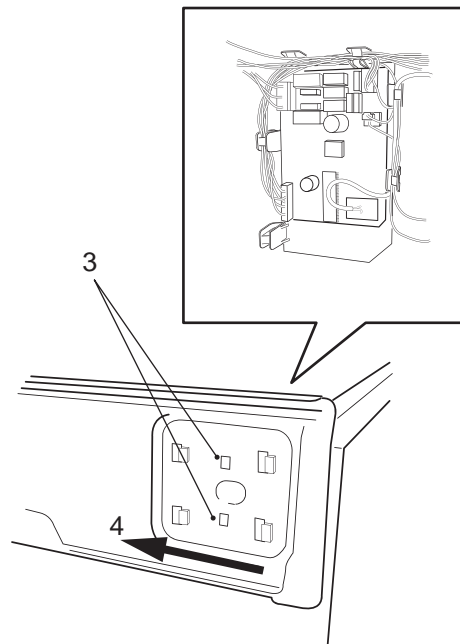
8. Move the holder sideways so it snaps into place.
9. Install the panel in accordance with the section "[Panel - installation...](#)".
10. Fit the top cover.

#### **IMPORTANT**

---

Don't forget the 2 star washers for the outermost screws.

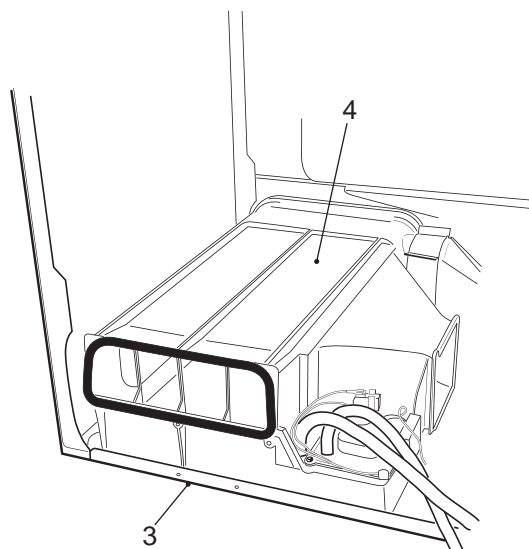
---



## CONDENSER HOUSING (T720/780)

### Removing the condenser housing

1. Remove the drum in accordance with the section "[Drum - removing...](#)".
2. Remove the external fan housing in accordance with the section "[External fan housing - removing...](#)".
3. Remove the snap fasteners with the aid of a screwdriver.
4. Lift out the condenser assembly.



### Installing the condenser housing

5. Position the condenser housing on the bottom.

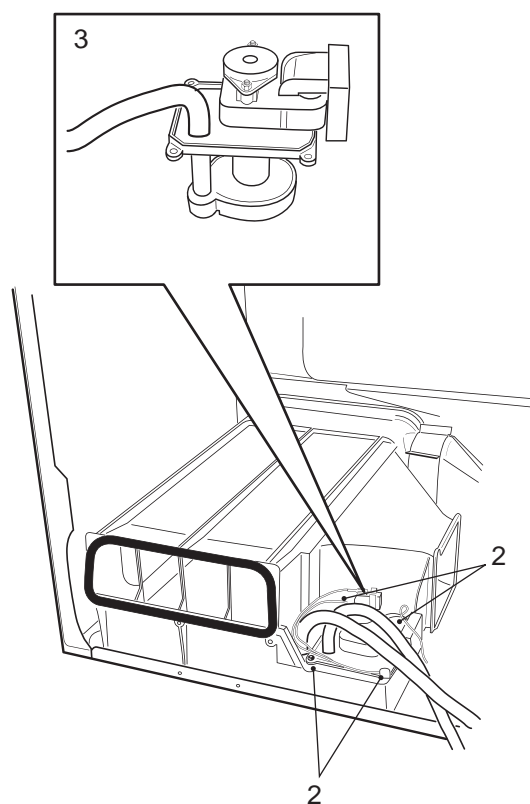
### IMPORTANT

Ensure that the condenser housing is secured to the bottom.

6. Install the external fan housing in accordance with the section "[External fan housing - installation...](#)".
7. Install the drum in accordance with the section "[Drum -installation...](#)".

### Changing the condensed water pump

1. Remove the rear panel in accordance with the section "[Rear panel - removing...](#)".
2. Remove the 4 screws that secure the pump.
3. Lift out the pump.
4. Secure the new pump with the 4 screws.
5. Install the rear panel in accordance with the section "[Rear panel -installation...](#)".

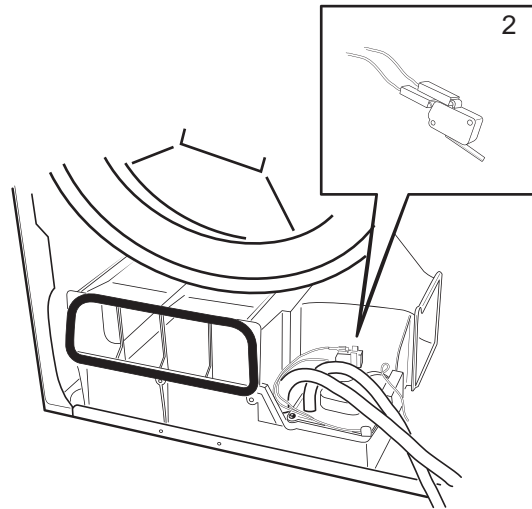


## SERVICE

---

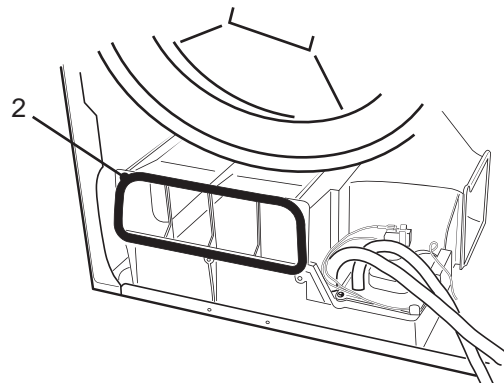
### Changing the microswitch for the condensed water pump

1. Remove the rear panel in accordance with the section "[Rear panel - removing..](#)".
2. Remove the wiring and the microswitch.
3. Fit the new microswitch.
4. Install the rear panel in accordance with the section "[Rear panel - installation...](#)".



### Changing the foam rubber seal

1. Remove the rear panel in accordance with the section "[Rear panel - removing..](#)".
2. Change the seal.
3. Install the rear panel in accordance with the section "[Rear panel - installation...](#)".



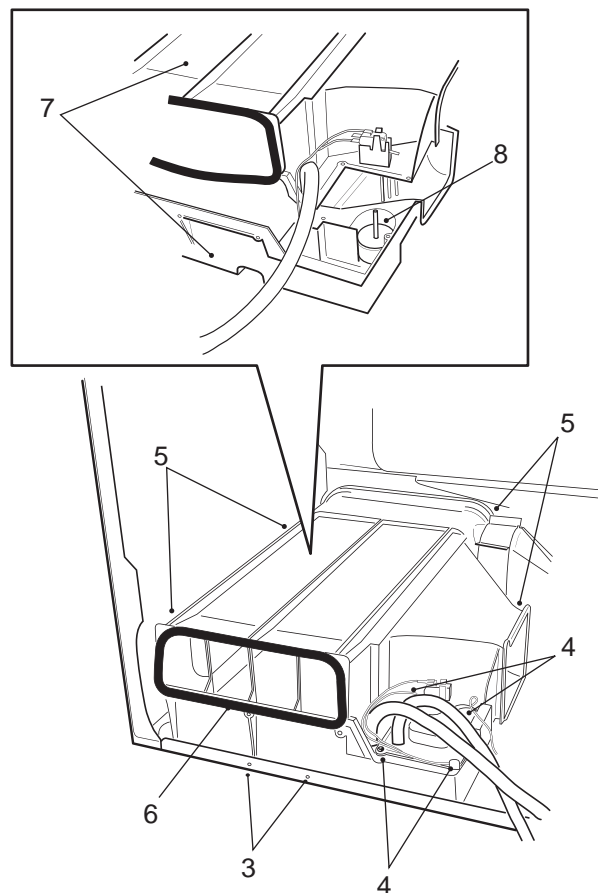
### Changing the float

1. Remove the drum in accordance with the section "[Drum - removing...](#)".
2. Remove the external fan housing in accordance with the section "[External fan housing - removing...](#)".
3. Remove the snap fasteners with the aid of a screwdriver and lift out the condenser assembly.
4. Remove the 4 screws that secure the condensed water pump.
5. Remove the 7 screws from around the edge.
6. Remove the foam rubber seal.
7. Take apart the two halves of the housing.
8. Change the float.
9. Screw the housing halves together.

### NOTE

We recommend changing the foam rubber seal every time the housing is dismantled.

10. Install the external fan housing in accordance with the section "[External fan housing - installation...](#)".
11. Install the drum in accordance with the section "[Drum -installation...](#)".



## SERVICE

---

### WATER TANK HOUSING (T720/780)

#### Removing water tank housing

1. Pull out the water tank.
2. Remove the three screws at the rear edge and lift off the top cover.
3. Remove the hoses.
4. Unscrew the 2 screws in the panel and the screws in the rear panel.
5. Push the housing back and lift it out.

#### Installing water tank housing

6. Offer up the housing to its correct position.
7. Secure it to the panel and the rear panel.
8. Refit the hoses.
9. Fit the top cover.

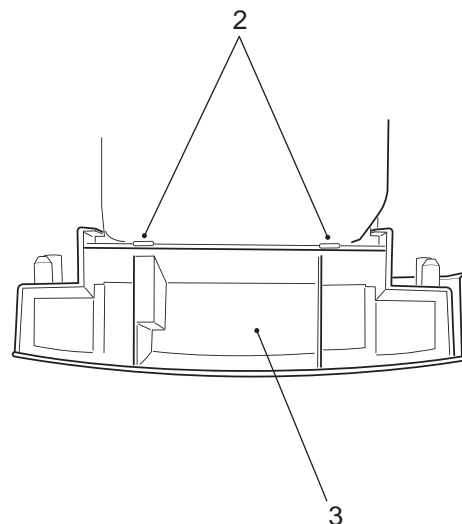
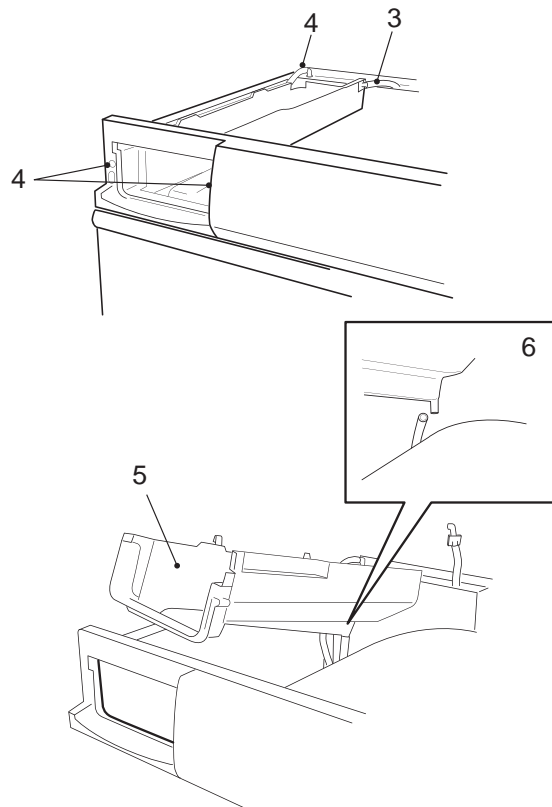
#### NOTE

Don't forget the 2 star washers for the outermost screws.

10. Insert the water tank.

#### Changing the water tank handle

1. Pull out the water tank.
2. Remove the two plastic clips on the underside of the tank with the aid of a screwdriver.
3. Pull the handle off the tank.
4. Install the new handle by threading it through the groove in the container. Press it to snap it into place.
5. Refit the water tank.





## SIDE PANELS

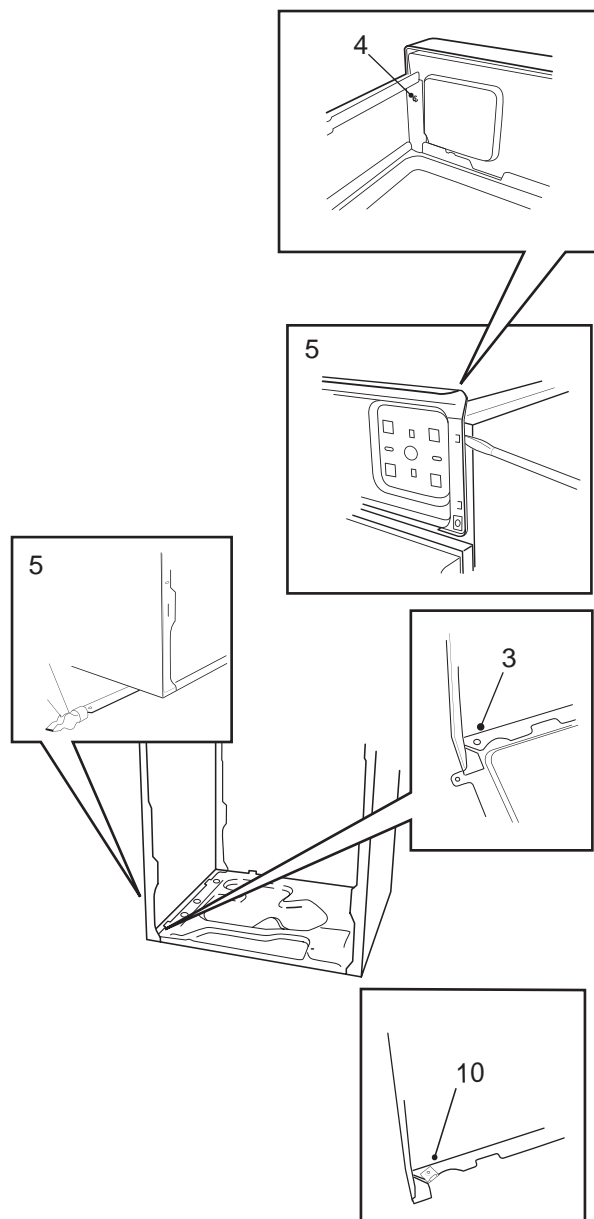
### Changing the side panels

1. Remove the front panel in accordance with the section "[Front panel - removing...](#)".
2. Remove the panel in accordance with the section "[Panel - removing...](#)".
3. **Early models:** the hole is marked out on the bottom.
4. **Early models:** the hole is marked out on the front rail.
5. Using a narrow chisel, cut off the rivet heads (7) and break those on the front rail off with a screwdriver (2).
6. Lift away the side panel.
7. File or grind smooth the places where the rivets were in the bottom and use a polygrip to flatten the front rail.

### WARNING

The edges of the bottom and the front rail where the rivets were placed must be completely flat and smooth.

8. **Early models:** Drill a 6.5 mm diameter hole in the bottom at the marking.
9. **Early models:** Drill a 5 mm diameter hole in the front rail at the marking.
10. Install 3 clips at the bottom of the side panels.
11. Screw the side plates to the bottom from underneath and to the front rail.
12. Install the front panel in accordance with the section "[Front panel - installation...](#)".
13. Install the panel in accordance with the section "[Panel - installation...](#)".

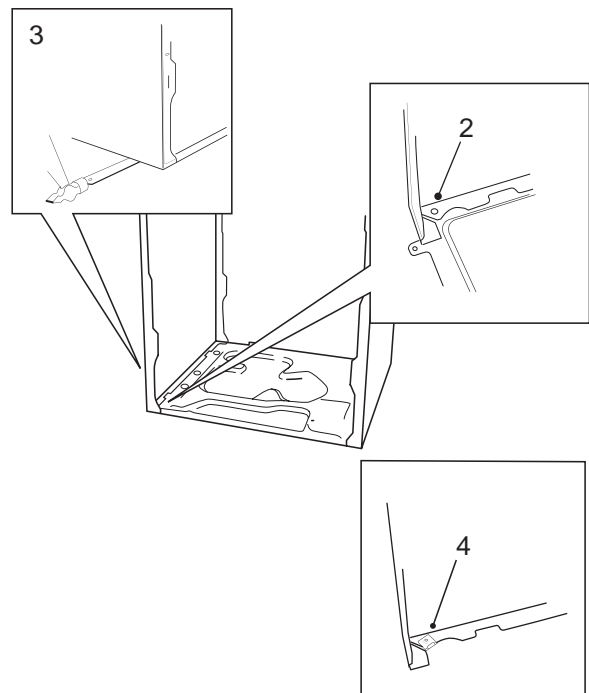


# SERVICE

## BOTTOM

### Changing the bottom

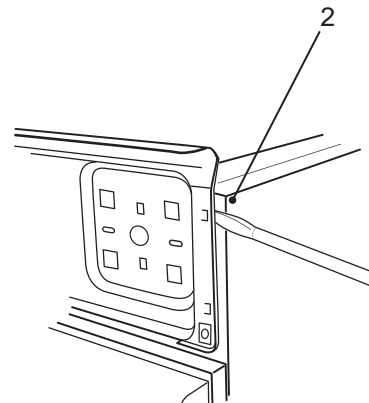
1. Remove the condenser housing in accordance with the section "[Condenser housing - removing...](#)"
2. **Early models:** the hole is marked out on the bottom.
3. Cut off the rivets between the bottom and side panels.
4. Install 6 clips along the bottom edge of the side panels.
5. **Early models:** Drill a 6.5 mm diameter hole in the bottom at the marking.
6. Screw the side plates to the bottom from underneath.
7. Install the condenser housing in accordance with the section "[Condenser housing - installation...](#)".

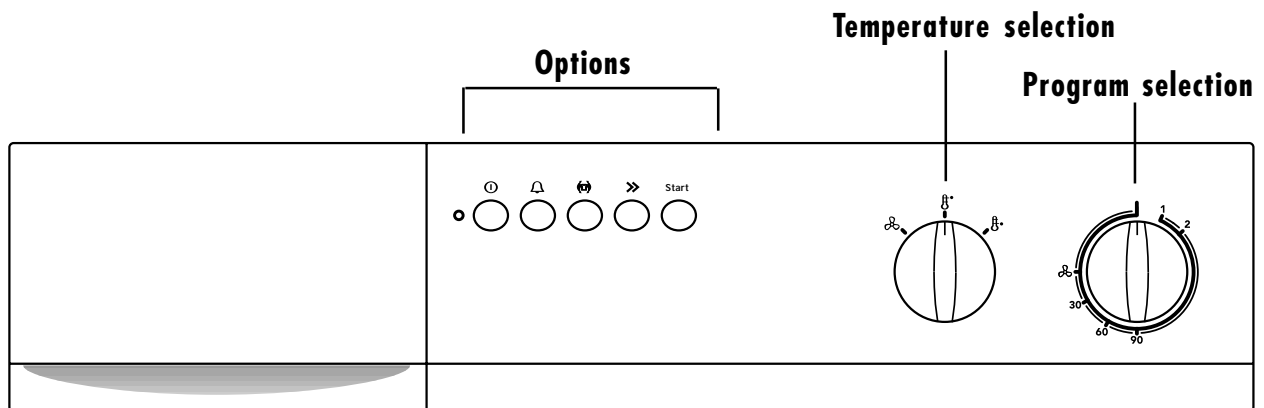


## FRONT RAIL

### Changing the front rail

1. Remove the panel in accordance with the section "[Panel - removing...](#)".
2. **Early models:** the hole is marked out on the front rail.
3. Remove the rivets with a screwdriver and flatten with a polygrip.
4. **Early models:** Drill a 5 mm diameter hole in the front rail at the marking.
5. Secure the new front rail.
6. Install the panel in accordance with the section "[Panel - installation...](#)".





## PROGRAMS

Which program you choose depends on what you want to do with your laundry after tumble drying. The programs you can choose from are Extra dry, Normal dry, Timer program and Airing.

### IMPORTANT

Tricot fabrics are, more than any others, liable to shrink. Use the Normal dry program for this material. Stretch out the garments immediately after drying.

#### Extra dry (program 1)

This program is for fabrics that are particularly difficult to dry, such as jeans.

#### Normal dry (program 2)

The program can tell when the laundry is dry and then automatically switches off the heating.

#### Timer program

The tumble drier has three different time period programs (30, 60 and 90 minutes). The set times can be manually altered in 6-minute intervals.

### NOTE

If different types of fabric are mixed, some may become dry before others. Run those that are not dry for a further 10 minutes.

### IMPORTANT

If an excessively long drying time is set, the result may be that garments shrink, crease or be stretched. Synthetic material can also become charged with static electricity.

#### ⌘ Airing program

The Airing program is used to shake the dust out of garments, air them or soften them up.

## OPTIONS

#### » Quick cooling

Quick cooling provides 9 minutes of cooling. Normal cooling continues for 18 minutes, (this option cannot be selected in combination with Anti-crease, see below).

#### ⏰ Buzzer

Sounds an audible signal when the drying program is complete. The signal sounds for 3 seconds.

#### ⌘ Anti-crease

This program prevents creasing of garments after tumble drying by turning the drum for 3 seconds in every minute until the tumble drier switches off, for a maximum of one hour.

This option cannot be selected in combination with Quick cooling.

In combination with the Signal button, an audible signal will sound each time the drum turns, indicating that the drying program has been completed.

## PROGRAMS AND OPTIONS T700

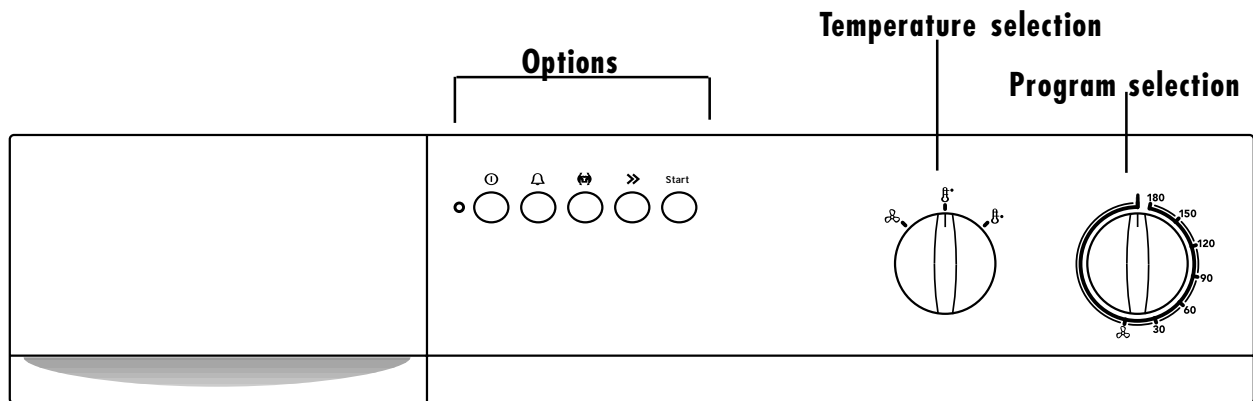
---

### **TEMPERATURE**

You can select Normal (⌘) or Low (⌘) temperature.

### **DRYING TIME**

The Drying time depends on many different factors, such as the amount of laundry, the degree of dampness in the fabric, the type of fabric, the heating power, the temperature of the incoming air and its humidity. Naturally the Drying time is also influenced by how dry you want the laundry to be.



## PROGRAMS

The length of program that you choose depends on what you want to do with your laundry after tumble drying. Experiment with different times for different materials.

### Timer program

The tumble drier has six different time period programs (30, 60, 90, 120, 150 and 180 minutes). The set times can be manually altered in 6-minute intervals.

### NOTE

If different types of fabric are mixed, some may become dry before others. Run those that are not dry for a further 10 minutes.

### IMPORTANT

If an excessively long drying time is set, the result may be that garments shrink, crease or be stretched. Synthetic material can also become charged with static electricity.

### ⌘ Airing program

The Airing program is used to shake the dust out of garments, air them or soften them up.

## OPTIONS

### » Quick cooling

Quick cooling provides 9 minutes of cooling. Normal cooling continues for 18 minutes, (this option cannot be selected in combination with Anti-crease, see below).

### ⚠ Buzzer

Sounds an audible signal when the drying program is complete. The signal sounds for 3 seconds.

### ⌘ ANTI-CREASE

This program prevents creasing of garments after tumble drying by turning the drum for 3 seconds in every minute until the tumble drier switches off, for a maximum of one hour.

This option cannot be selected in combination with Quick cooling.

In combination with the Signal button, an audible signal will sound each time the drum turns, indicating that the drying program has been completed.

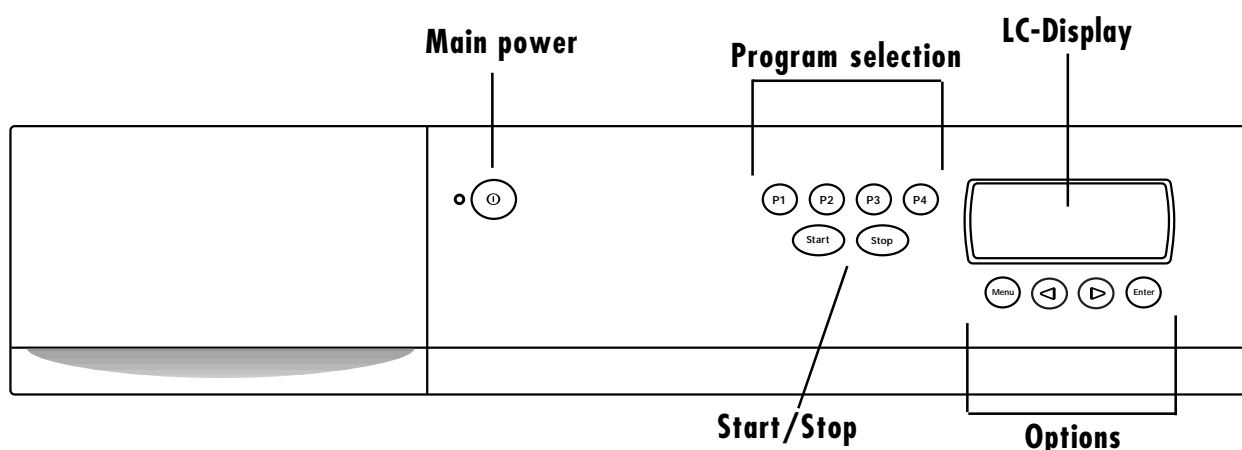
## TEMPERATURE

You can select Normal (β+) or Low (β-) temperature.

## DRYING TIME

The Drying time depends on many different factors, such as the amount of laundry, the degree of dampness in the fabric, the type of fabric, the heating power, the temperature of the incoming air and its humidity. Naturally the Drying time is also influenced by how dry you want the laundry to be.

## PROGRAMS AND OPTIONS T760



### PROGRAMS

#### **P1** Extra dry

This program is for fabrics that are particularly difficult to dry, such as jeans with very thick seams.

#### **IMPORTANT**

Tricot fabrics are, more than any others, liable to shrink. Use the Cupboard dry, Normal dry or Iron dry programs for this material. Stretch out the garments immediately after drying.

#### **P2** Cupboard dry, **P3** Normal dry

These programs switch off the heating when the laundry is dry, but not "snuff dry".

The Cupboard dry program switches off the heating later than Normal dry. Experiment with these to find what suits you best. Use these programs to get your laundry completely dry.

#### **P4** Iron dry

This program switches off the heating when the laundry is still damp enough for ironing or mangling.

#### **Timer program**

With the Timer program you can decide the program length yourself, to find the best times for different materials.

The temperature in the Timer program is automatically set to Low, but you can change it yourself to Normal.

#### **NOTE**

If different types of fabric are mixed, some may become dry before others. Run those that are not dry for a further 10 minutes.

#### **IMPORTANT**

If an excessively long drying time is set, the result may be that garments shrink, crease or be stretched. Synthetic material can also become charged with static electricity.

#### **Airing program**

The Airing program is used to shake the dust out of garments, air them or soften them up.

To select the Airing program, see "[Making your own drying program](#)".

### OPTIONS

#### **Cooling**

You can choose between Normal cooling and Quick cooling. Normal cooling runs for 20 minutes and Quick cooling runs for 15 minutes.

#### **Buzzer**

Sounds an audible signal when the drying program is complete. The signal sounds for 3 seconds.

#### **Anti-crease**

This program prevents creasing of garments after tumble drying by turning the drum for 3 seconds in every minute for the number of hours you have selected. You can select program lengths of 1, 2 or 3 hours.

If you have selected Signal On, an audible signal will sound each time the drum turns.

To select this Option, see "[Making your own drying program](#)".

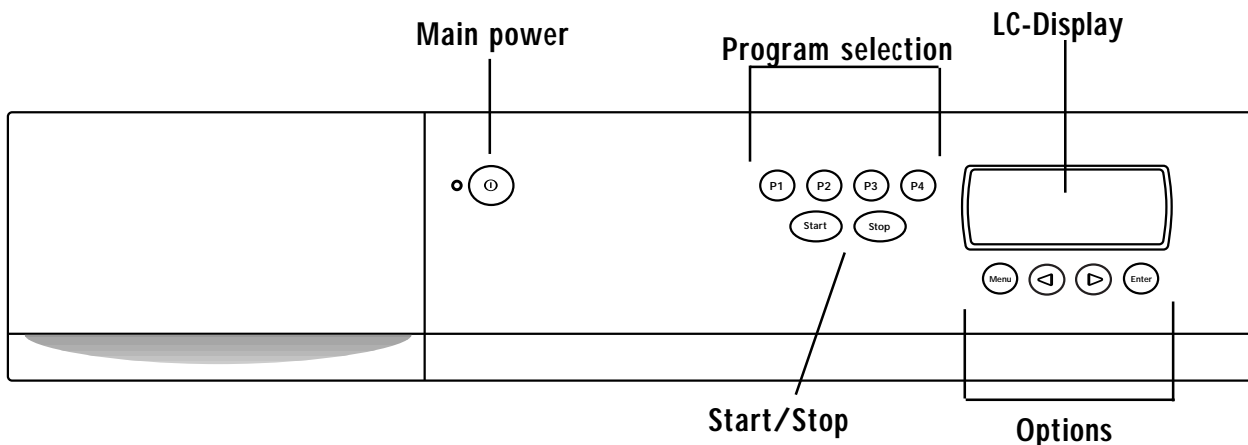
#### **TEMPERATURE**

You can select Normal or Low temperature, see the section "[Making your own drying program](#)".

### **DRYING TIME**

The Drying time depends on many different factors, such as the amount of laundry, the degree of dampness in the fabric, the type of fabric, the heating power, the temperature of the incoming air and its humidity. Naturally the Drying time is also influenced by how dry you want the laundry to be.

# PROGRAMS AND OPTIONS T780



## PROGRAMS

### **P1** Extra dry

This program is for fabrics that are particularly difficult to dry, such as jeans with very thick seams.

### IMPORTANT

Tricot fabrics are, more than any others, liable to shrink. Use the Cupboard dry, Normal dry or Iron dry programs for this material. Stretch out the garments immediately after drying.

### **P2** Cupboard dry, **P3** Normal dry

These programs switch off the heating when the laundry is dry, but not "snuff dry".

The Cupboard dry program switches off the heating later than Normal dry. Experiment with these to find what suits you best. Use these programs to get your laundry completely dry.

### **P4** Iron dry

This program switches off the heating when the laundry is still damp enough for ironing or mangling.

## Timer program

With the Timer program you can decide the program length yourself, to find the best times for different materials.

The temperature in the Timer program is automatically set to Low, but you can change it yourself to Normal.

### NOTE

If different types of fabric are mixed, some may become dry before others. Run those that are not dry for a further 10 minutes.

### IMPORTANT

If an excessively long drying time is set, the result may be that garments shrink, crease or be stretched. Synthetic material can also become charged with static electricity.

## Airing program

The Airing program is used to shake the dust out of garments, air them or soften them up.

To select the Airing program, see "[Making your own drying program](#)".



## OPTIONS

### Cooling

You can choose between Normal cooling and Quick cooling. Normal cooling runs for 20 minutes and Quick cooling runs for 15 minutes.

### Buzzer

Sounds an audible signal when the drying program is complete. The signal sounds for 3 seconds.

### 🌀 Anti-crease

This program prevents creasing of garments after tumble drying by turning the drum for 3 seconds in every minute for the number of hours you have selected. You can select program lengths of 1, 2 or 3 hours.

If you have selected Signal On, an audible signal will sound each time the drum turns.

To select this Option, see "[Making your own drying program](#)".

### 🌡️ TEMPERATURE

You can select Normal or Low temperature, see the section "[Making your own drying program](#)".

## DRYING TIME

The Drying time depends on many different factors, such as the amount of laundry, the degree of dampness in the fabric, the type of fabric, the heating power, the temperature of the incoming air and its humidity. Naturally the Drying time is also influenced by how dry you want the laundry to be.

The remaining drying time is roughly calculated, and shown (within four minutes of the drying program starting) in 5-minute steps, at the bottom right of the display, together with the 🕒 symbol.

# MAKING YOUR OWN DRYING PROGRAMS (T760/780)

You can make your own drying programs that would perhaps suit your own needs better than the four preset programs.

You can always get the preset programs back again. See the heading "[Restoring preset drying programs](#)" at the end of this section.

The diagram below shows all the parts of the program you can alter. There follows a step-by-step set of instructions guiding your way to making programs that you prefer.

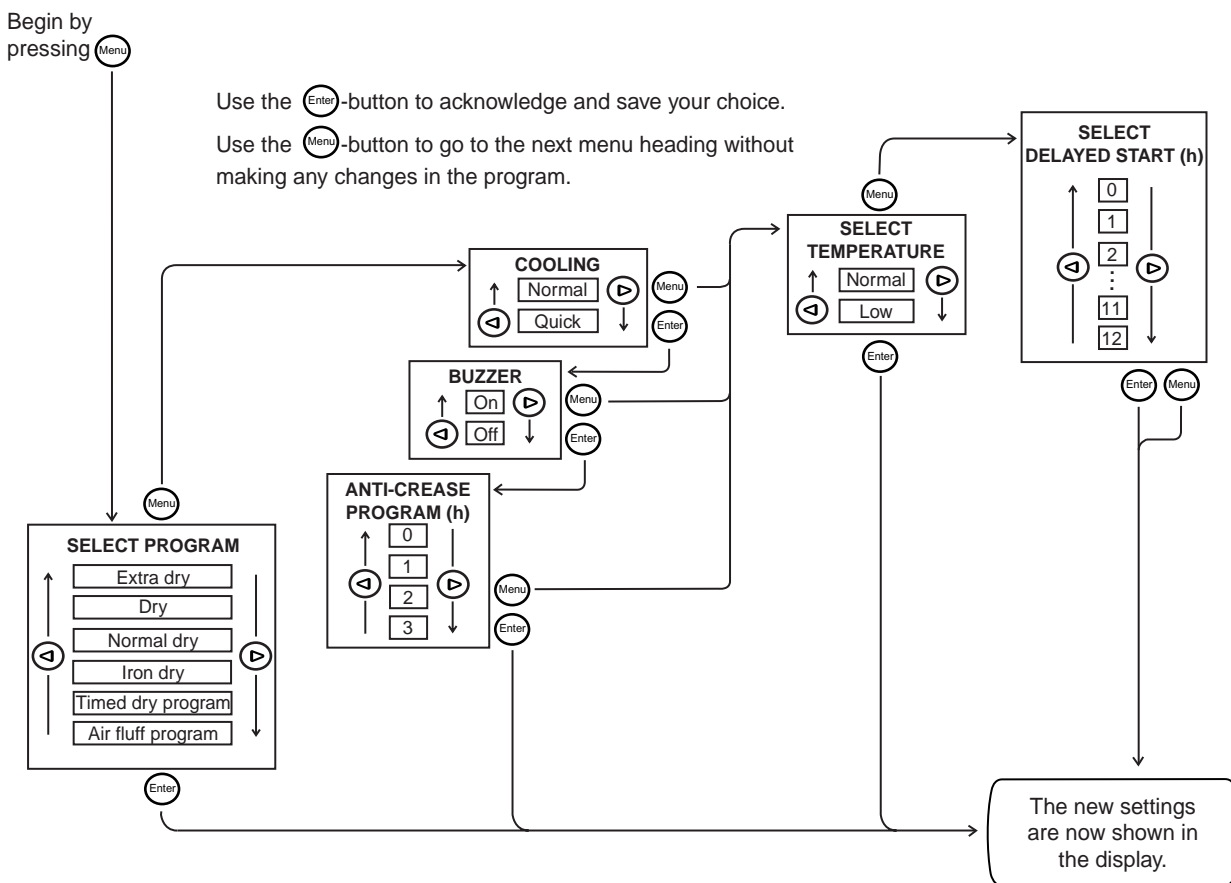
Each step begins with a description of the program, option or setting that you can choose. This is followed by a numbered sequence of instructions telling you what to do to obtain the changes you want.

The buttons that you will need to use for making your own programs are the **Menu**, **Left Arrow**, **Right Arrow** and **Enter** buttons.

With the **Menu** button you step forward through the menu to reach the menu heading where you wish to make an alteration. The menu headings are: *Program*, *Options*, *Temperature* and *Delayed starting*. The options consist of the sub-headings *Cooling*, *Signal* and *Anti-crease*.

With the **Left Arrow** **Right Arrow** buttons you can step forwards or backwards in the respective headings to get the setting you want.

When you have reached the setting you want, you confirm your choice by pressing the **Enter** button once.



**USE THE **Menu**, **Left Arrow**, **Right Arrow**, **Enter** BUTTONS FOR MAKING YOUR OWN DRYING PROGRAMS**

## MAKING YOUR OWN DRYING PROGRAMS (T760/780)

---

### SELECT THE INITIAL PROGRAM

Start by choosing one of the preset drying programs:

1. Press the button **P1**, **P2**, **P3** or **P4** to select the program you want to change.

### PROGRAM

The programs you can choose are as follows:

**Extra dry:** This program is for textiles that are particularly difficult to dry, e.g. jeans with very thick seams.

**Cupboard dry, Normal dry:** These programs switch off the heating when the washing is dry. The Cupboard dry program switches off the heating rather later than Normal dry. Try them out and see which suits you best. Use these programs when you want your laundry to be completely dry.

**Iron dry:** This program switches off the heating when the washing has the right dampness for ironing or mangling.

**Timer program:** The length of drying program that you choose depends on what you want to do with the laundry after you have finished drying it. Experiment with different times for different materials.

### IMPORTANT

---

If you set a drying time that is too long, the laundry may shrink, crease or feel rough. Synthetic material may also become charged with static electricity.

---

### Airing program:

You can use the Airing program when you just want to shake the dust out of garments, air them or soften them up.

When you are going to use the Timer or Airing program you can easily change the program time:

1. Press the **Menu** button once.
2. Use the **◀ ▶** buttons to choose the program you want. If you choose the Timer or Airing program you also have to decide how long you want the program to run. When you have arrived at the Timer or Airing program, press the **Enter** button to select the length of time you want the program to last. Select the desired time with the **◀ ▶** buttons.
3. Confirm and save your choice by pressing the **Enter** button once.

### OPTIONS

This heading has three sub-headings (option headings) with options that you can add to your personal program.

#### Cooling

You can choose either Normal Cooling or Quick Cooling. Normal Cooling takes 20 minutes, Quick Cooling takes 15 minutes.

1. Press the **Menu** button once.
2. Use the **◀ ▶** buttons to choose Normal or Quick Cooling.
3. Confirm and save your choice by pressing the **Enter** button once. You automatically go on to the next sub-heading:

#### Signal

If you choose Signal On, a three second long audible signal will sound when the drying program is completed.

1. Use the **◀ ▶** buttons to choose Signal On or off.
2. Confirm and save your choice by pressing the **Enter** button once. You automatically go on to the next sub-heading:




## MAKING YOUR OWN DRYING PROGRAMS (T760/780)

---

### **Anti-crease**





This program means that the drum will turn for three seconds every minute, after the drying program is completed. You can choose whether the program will last for 1, 2 or 3 hours. This program prevents garments from creasing.

If you selected Signal On, an audible signal will sound each time the drum turns during this program.

1. Use the   buttons to choose how long you want the Anti-crease program to run.
2. Confirm and save your choice by pressing the  button once.

### **TEMPERATURE**

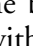
You can choose Normal or Low temperature.





1. Press the  button once.
2. Use the   buttons to choose the temperature you want, Normal or Low.
3. Confirm and save your choice by pressing the  button once.

### **DELAYED STARTING**

You can delay the start of your drying program by up to 12 hours.

If you select Delayed starting, and set it for example to five hours, the machine will start its drying program five hours after you have pressed the start button.

As you step forward to the desired time, the time delay will be shown in the bottom right corner of the display, together with the  symbol.


1. Press the  button once.
2. Use the   buttons to choose how long you want to delay the start of the drying program
3. Confirm and save your choice by pressing the  button once.

You have now composed your own drying program and saved it.

Next time you want to run this personal drying program, you only need to press the program button you chose when you started making these new settings.


### **SHORT CUTS**

If you don't want to make changes in all the menu headings to design your personal program, you can skip the ones that will stay the same.

To go on to the next heading without changing anything in the heading where you are at the moment, press the  button once. The settings of the heading you are leaving will not be changed.

### **IMPORTANT**

---


This applies only to the main menu headings. If you are in one of the options sub-headings, you have to confirm the present setting by pressing the  button before going on to the next option sub-heading.

---

### **RESTORING THE PRESET PROGRAM**


You can always restore the preset drying program.


#### **Do this:**





1. Press and hold down the button for the program you want to restore.
2. Keeping the program button pressed in, press the  button as well.
3. Let go of both buttons. The preset program is now restored.


PROGRAM	TYPE	TEMP NORMAL/LOW	COOLING NORMAL/QUICK	BUZZER ON/OFF	ANTI-CREASE 1H/2H/3H	TIME 5-90 MIN
P1	Extra dry	normal	normal	on	1h	###
P2	Cupboard dry	normal	normal	on	1h	###
P3	Normal dry	normal	normal	on	1h	###
P4 (T780)	Iron dry	normal	normal	on	1h	###
P4 (T760)	Iron dry	low	normal	on	1h	###
	Extra dry	normal	normal	on	1h	###
	Cupboard dry	normal	normal	on	1h	###
	Normal dry	normal	normal	on	1h	###
	Iron dry	normal	normal	on	1h	###
	Timer program	low	normal	on	1h	60
	Airing	###	normal	on	1h	60
<b>### always off, cannot be selected from options menu</b>						


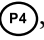
## TUMBLE DRYING T700/720


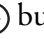

1. Sort the laundry.
2. Set the main power switch to on, .
3. Put the laundry into the tumble drier.
4. Close the door.
5. Select the settings and time.
6. Press the Start button.
7. When you have finished tumble drying.


Set the main power switch to off,  and clean the fluff filter.

	FABRICS			
	Cotton, linen etc.	Non-iron Polyester / cotton	Cotton, linen etc.	Airing program
<b>Max. load (kg)</b>	5,0	2,5	2,5	5,0
<b>KNOB SETTINGS:</b>				
<b>Time (minutes)</b> (depending on machine)	0 - 180	0 - 180	0 - 180	0 - 180
<b>Temperature</b>				

1. Sort the laundry.
2. Set the main power switch to on, .
3. Put the laundry into the tumble drier.
4. Close the lid.
5. Select the program.
 

The machine has four preset drying programs  to , see the table. Press the button for the program you want.

If you have prepared a personal drying program and selected the Timer or Airing program, you can easily change the program time. Use the / buttons to reduce or increase the time.
6. Press the  button.
7. When you have finished tumble drying.
 

Set the main power switch to off,  and clean the fluff filter.

	FABRICS		
	Cotton, linen etc.	Non-iron Polyester / cotton	Acrylics, rayon, acetates (temperature-sensitive synthetics)
Max. load (kg)	5,0	2,5	2,5
SETTINGS:			
Program	1 - 4 Extra dry, Cupboard dry, Normal dry and Iron dry	2 el. 3 Cupboard dry or Normal dry	2 el. 3 Cupboard dry or Normal dry
Temperature	High	Low	Low

# CLEANING AND MAINTENANCE

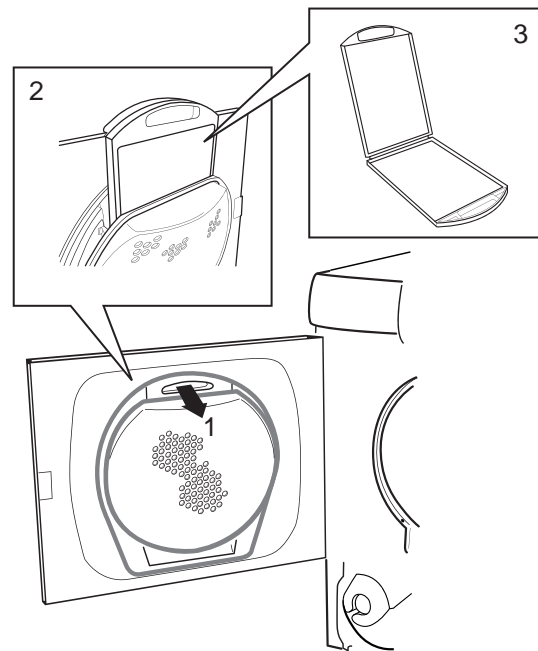
---

## CLEANING the fluff filter

The fluff filter should be cleaned after every tumble-drying session.

If you have very hard water the fluff filter may collect a layer of scale. Check when you are cleaning fluff out of the filter if scale is present, and if so, wash the scale off by hand.

1. Take hold of the filter handle and pull it towards you.
2. Lift the filter out of its holder.
3. Open the filter and pick off the fluff with your hand. Then rinse the filter to remove any scale.
4. Fold the filter and put it back into the holder.



## EMPTYING THE CONDENSED WATER TANK (T780)

The condensed water tank should be emptied after every tumble-drying session (this does not apply if the condensed water hose is connected directly to the drain).

1. Pull out the condensed water tank, empty out the water and put the tank back.

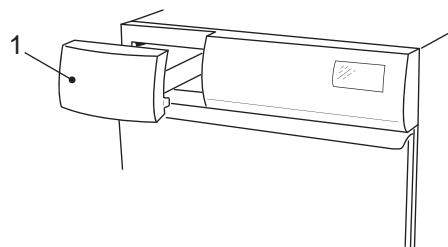
If the condensed water tank becomes overfull, the program is interrupted and the error message **Overfull** appears on the display. Empty the tank and press the **Start/Stop** -button to resume the program from where it was interrupted, see also "[Fault tracing](#)".

## IMPORTANT

---

Don't pull out the condensed water tank while the tumble drier is running.

---





## CLEANING THE OUTSIDE OF THE MACHINE

Clean the outside and the program panel with a mild detergent.

### NOTE

---

Don't use any kind of solvent, this can damage the machine. Don't drench the machine in water, either.

---

### IMPORTANT

---

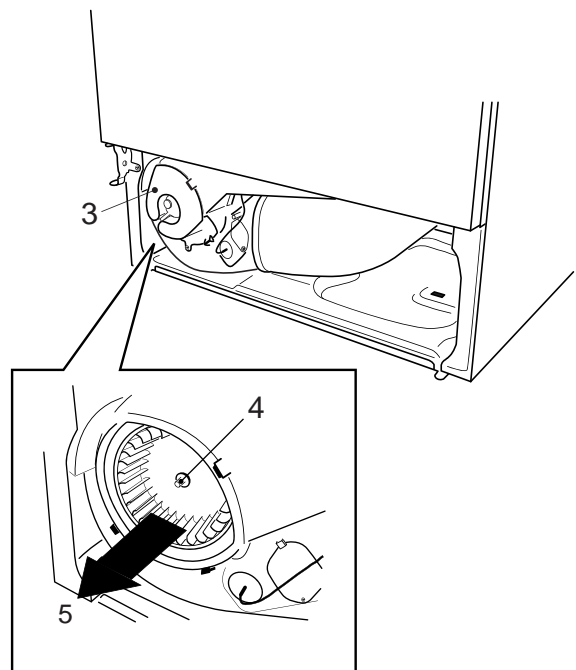
Don't let dust collect around the machine. Keep the area around the tumble drier clean and dry: the presence of dust, heat and damp all prolong the drying time.

---

## CLEANING THE FAN

Check once or twice a year to see if the fan wheel needs cleaning.

1. Set the main power switch to off.
2. Remove the bottom cover.
3. Unscrew and unclip the fan cover.
4. Hold the fan wheel and unscrew the nut (8 mm ring spanner).
5. Take out the fan wheel and clean it with a brush and water.
6. Refit the fan wheel and fan cover.
7. Put the bottom cover back.



# CLEANING AND MAINTENANCE

---

## CLEANING THE CONDENSER (T780)

The condenser should be cleaned at least three times a year.

### NOTE

---

If you have pets at home the condenser should be cleaned more often.

---

1. Set the main power switch to off.
2. Remove the bottom cover.
3. Open the condenser cover by turning the two knobs counterclockwise.
4. Take out the condenser and wash the plates clean with the aid of a hand shower, for example.

### WARNING

---

Don't poke in between the plates, this can damage the condenser. Never use sharp metal objects for cleaning.

---

### IMPORTANT

---

The condenser must not be cleaned in a dishwasher.

---

5. Put the condenser back.

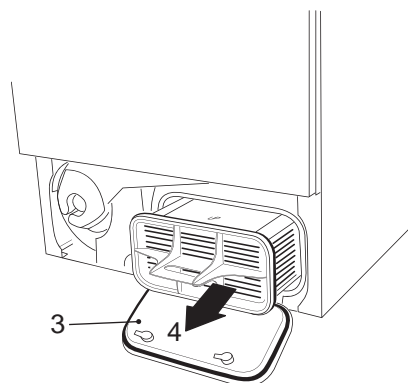
### IMPORTANT

---

When refitting, make sure it is put back correctly. The top of the condenser is marked "upp", "up", and "oben".

---

6. Refit the bottom cover.



**ASKO Cylinda AB** / ASKO APPLIANCES

SE-534 82 VARA • Sweden  
Phone +46 512 320 00 • Fax +46 512 320 10

Part. no. 63 003 42