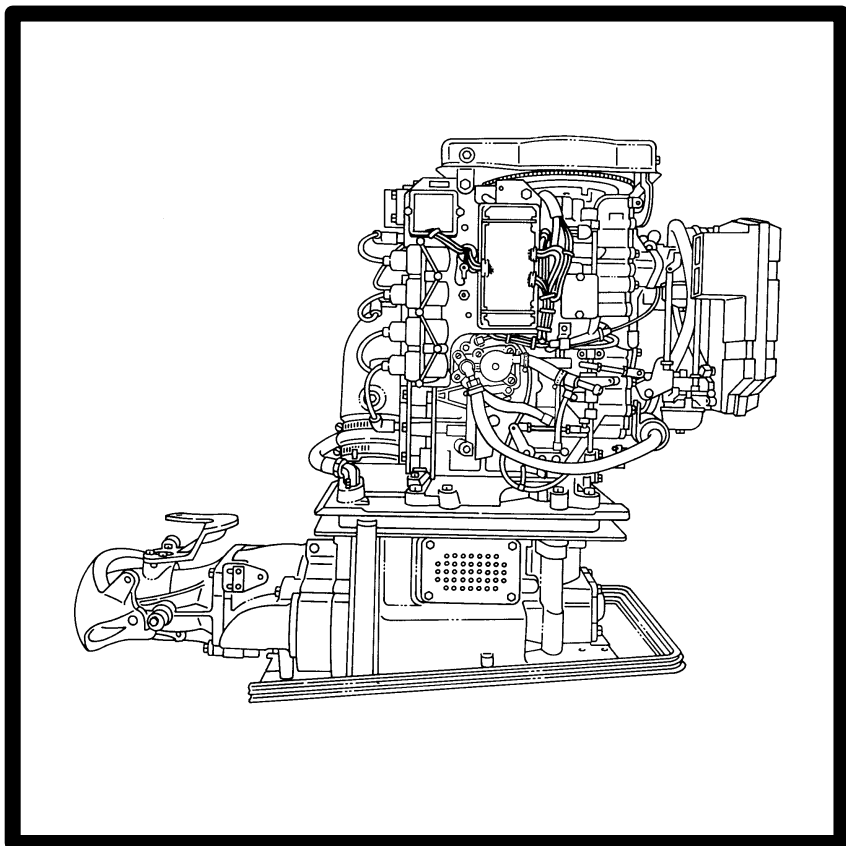




# GENERAL INFORMATION AND SPECIFICATIONS

1





# Table Of Contents

	<b>Page</b>
How To Use This Manual .....	1-1
Page Numbering .....	1-1
Master Specifications .....	1-2
Flushing Cooling System .....	1-11
Following Complete Submersion .....	1-11
Salt Water Submersion (Special Instructions) .....	1-11
Submerged While Running (Special Instructions) .....	1-11

	<b>Page</b>
Submerged Engine (Fresh Water) Plus Special Instructions .....	1-11
Out-of-Season Storage .....	1-12
Out-of-Season Battery Storage .....	1-13
Detonation: Causes and Prevention .....	1-13
Compression Check .....	1-14
Water Pressure Check .....	1-14



# How To Use This Manual

The manual is divided into SECTIONS (shown right) which represents major components and systems.

Some SECTIONS are further divided into PARTS. Each PART has a title page. A **Table of Contents** for the particular PART is printed on the back of the title page.

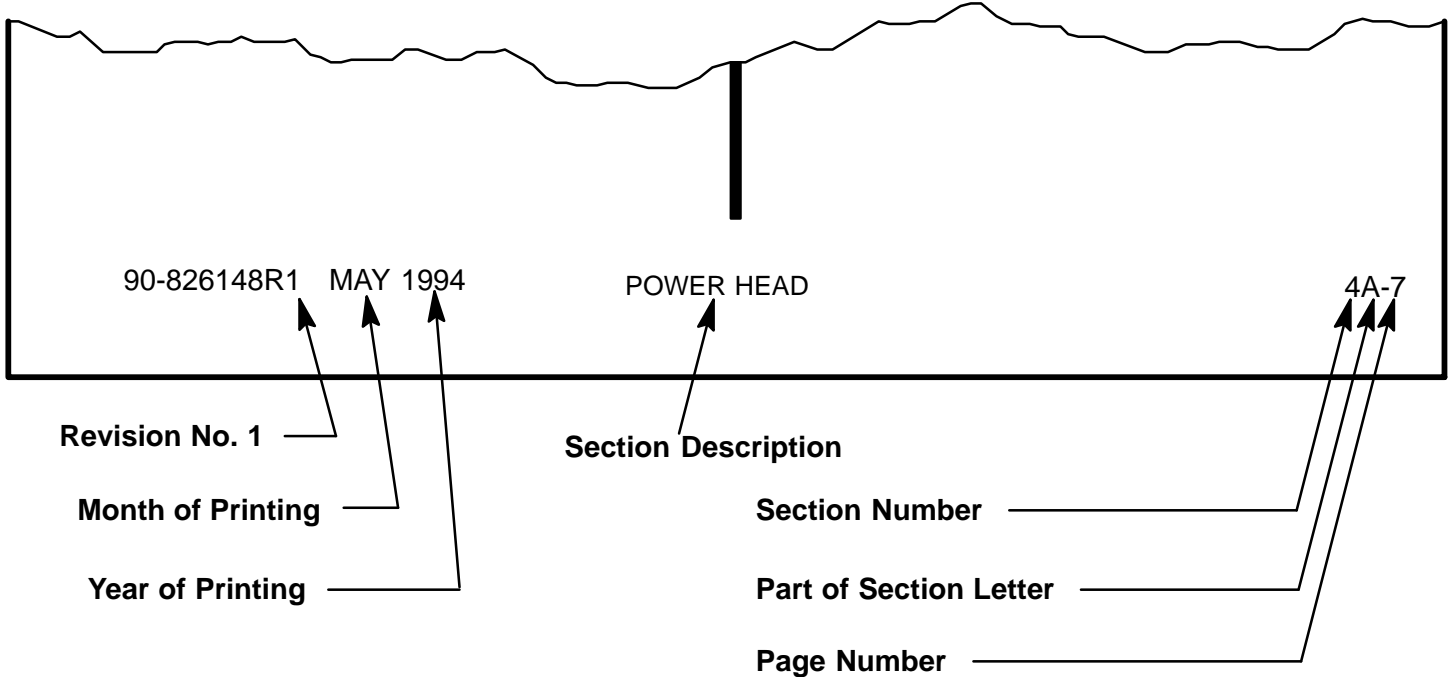
SECTIONS and PARTS are listed on the **Service Manual Outline** sheet which immediately follows the cover of this book.

Section	Section Heading
1	General Information/Specifications
2	Electrical and Ignition
3	Fuel System and Carburetion
4	Powerhead
5	Jet Pump
6	Sport Jet Installation

# Page Numbering

Two number groups appear at the bottom of each page. The example below is self-explanatory.

EXAMPLE:





# Master Specifications

1995 Sport Jet			
		90	120
HORSEPOWER (KW)	Model 90/120	90 (67.1)	120 (89.5)
PH / PUMP WEIGHT		184 lbs. / 101 lbs. (83.46 kg / 45.8 kg)	203 lbs. / 101 lbs. (92.08 kg / 45.8 kg)
CYLINDER BLOCK	Type Displacement	3 Cylinder In-Line 75.1 cu. in. (1231 cc)	4 Cylinder In-Line 102.9 cu. in. (1687 cc)
STROKE	Length	2.80 in. (71.1 mm)	2.876 in. (73.05 mm)
CYLINDER BORE	Diameter (Standard) Taper/Out of Round Max. Bore Type	3.375 in. (85.7 mm) 0.0015 Cast Iron	3.375 in. (85.7 mm) 0.0015 Cast Iron
PISTON	Piston Type Standard 0.010 in. (0.254 mm) Oversize 0.030 in. (0.762 mm) Oversize	Aluminum Major Dia.- 3.3618 (85.34) Min.- 3.3578 (85.288) Major Dia.- 3.3718 (85.64) Min.- 3.3678 (85.54) Major Dia.- 3.3918 (86.15) Min.- 3.3878 (86.050)	
REEDS	Reed Stand Open (Max.)	0.010 (0.254 mm)	
PUMP HOUSING	Gear Ratio Drive Housing Capacity Stator Capacity Impeller Shaft Gear- No. of Teeth Pinion Gear - No. of Teeth Pinion Height Gear Backlash	1.14:1 18.6 fl. oz. (550 ml) 3.4 fl. oz. (100 ml)  24 21 0.025 in. (0.64 mm) 0.007 - 0.009 in. (0.177 mm - 0.228 mm)	1:1 18.6 fl. oz. (550 ml) 3.4 fl. oz. (100 ml)  24 24 0.025 in. (0.64 mm) 0.007 in. - 0.009 in. (0.177 mm - 0.228 mm)
FUEL SYSTEM	Fuel Recommended Gasoline Recommended Oil Gasoline/Oil Ratio Fuel Pressure- @ Idle - @ WOT	Gasoline and Oil Automotive Lead-Free: 87 octane minimum Quicksilver TC-W 3 or TC-W II Outboard Oil Variable ratio oil injection 3.5 PSI 6 PSI	
STARTING SYSTEM	Electric Start- Starter Draw Under Load No Load Battery Rating (minimum)	110 - 200 Amperes 80 - 165 Amperes 670 Marine Cranking Amps (MCA) or 520 Cold Cranking Amps (CCA)	
IGNITION SYSTEM	Type Spark Plug Type Spark Plug Gap Optional (Resistor Plug)	Capacitor discharge Champion L76V Not Adjustable QL76V	
CHARGING SYSTEM	Alternator Output (Regulated)	9 Amp	



## Master Specifications (Continued)

1995 Sport Jet 90/120		
<b>CARBURETOR</b>	Idle RPM Wide Open Throttle (WOT) RPM – Model 90/120 Idle Mixture Screw Adjustment (Preset - Turns Out) Model 90/120 – All Carbs  Float Setting  Main Jet – Model 90 – Carb #1 – Carb #2 – Carb #3 – Model 120 – Carb #1 – Carb #2	950 - 1100 RPM  4700 - 5300  1 1/2 turns out from a lightly seated position  Set parallel to body flange  .072 .072 .074 .090 .092
	<b>TIMING</b>	Maximum BTDC @ Cranking Speed – Model 90/120 @ 5000 RPM – Model 90/120  Firing Order – Model 90 – Model 120



# Master Specifications (Continued)

1996 & 1997 Sport Jet			
		95	120
<b>HORSEPOWER (KW)</b>	<b>Model 95/120</b>	95 (67.1)	120 (89.5)
<b>PH / PUMP WEIGHT</b>		184 lbs. / 101 lbs. (83.46 kg / 45.8 kg)	203 lbs. / 101 lbs. (92.08 kg / 45.8 kg)
<b>CYLINDER BLOCK</b>	<b>Type Displacement</b>	3 Cylinder In-Line 75.1 cu. in. (1231 cc)	4 Cylinder In-Line 102.9 cu. in. (1687 cc)
<b>STROKE</b>	<b>Length</b>	2.80 in. (71.1 mm)	2.876 in. (73.05 mm)
<b>CYLINDER BORE</b>	<b>Diameter (Standard) Taper/Out of Round Max. Bore Type</b>	3.375 in. (85.7 mm) 0.0015 Cast Iron	3.375 in. (85.7 mm) 0.0015 Cast Iron
<b>PISTON</b>	<b>Piston Type Standard 0.015 in. (0.378 mm) Oversize 0.030 in. (0.752 mm) Oversize</b>	Aluminum Diameter 3.3700 (85.598 mm) Diameter 3.3850 (85.979 mm) Diameter 3.4000 (86.360 mm)	
<b>REEDS</b>	<b>Reed Stand Open (Max.)</b>	0.010 (0.254 mm)	
<b>PUMP HOUSING</b>	<b>Gear Ratio Drive Housing Capacity Stator Capacity Impeller Shaft Gear- No. of Teeth Pinion Gear - No. of Teeth Pinion Height Gear Backlash</b>	1.14:1 18.6 fl. oz. (550 ml) 3.4 fl. oz. (100 ml)  24 21 0.025 in. (0.64 mm) 0.007 - 0.009 in. (0.177 mm - 0.228 mm)	1:1 18.6 fl. oz. (550 ml) 3.4 fl. oz. (100 ml)  24 24 0.025 in. (0.64 mm) 0.007 in. - 0.009 in. (0.177 mm - 0.228 mm)
<b>FUEL SYSTEM</b>	<b>Fuel Recommended Gasoline Recommended Oil Gasoline/Oil Ratio Fuel Pressure- @ Idle - @ WOT</b>	Gasoline and Oil Automotive Lead-Free: 87 octane minimum Quicksilver TC-W 3 or TC-W II Outboard Oil Variable ratio oil injection 3.5 PSI 6 PSI	
<b>STARTING SYSTEM</b>	<b>Electric Start- Starter Draw Under Load No Load Battery Rating (minimum)</b>	110 - 200 Amperes 80 - 165 Amperes 670 Marine Cranking Amps (MCA) or 520 Cold Cranking Amps (CCA)	
<b>IGNITION SYSTEM</b>	<b>Type Spark Plug Type Spark Plug Gap Optional (Resistor Plug)</b>	Capacitor discharge Champion L77JC4 .040 (1.0 mm) QL77JC4	
<b>CHARGING SYSTEM</b>	<b>Alternator Output (Regulated)</b>	15 Amp	

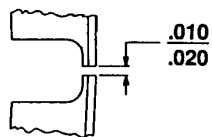
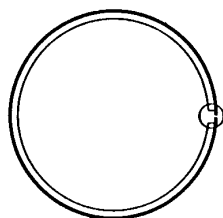


# Master Specifications (Continued)

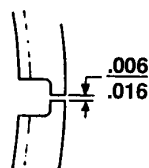
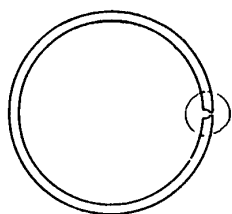
1996 & 1997 Sport Jet 95/120		
<b>CARBURETOR</b>	<p>Idle RPM Wide Open Throttle (WOT) RPM – Model 95/120</p> <p>Idle Mixture Screw Adjustment (Preset - Turns Out) Model 95/120 – All Carbs</p> <p>Float Setting</p> <p>Main Jet – Model 95 – Carb #1 – Carb #2 – Carb #3 – Model 120 – Carb #1 – Carb #2</p>	<p>950 - 1100 RPM</p> <p>4700 - 5300</p> <p>1 1/2 turn out from a lightly seated position</p> <p>Set parallel to body flange</p> <p>.072 .072 .074 .090 .092</p>
<b>TIMING</b>	<p>Maximum BTDC @ Cranking Speed – Model 95/120</p> <p>@ 5000 RPM – Model 95/120</p> <p>Firing Order – Model 95 – Model 120</p>	<p>32° BTDC</p> <p>30° BTDC</p> <p>1-2-3 1-3-2-4</p>



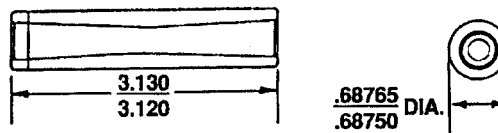
# 90/120 Sport Jet Bottom Guided Rod Design



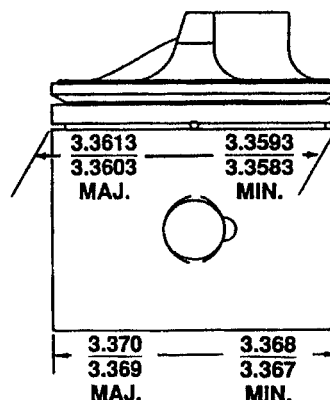
TOP PISTON RING



BOTTOM PISTON RING



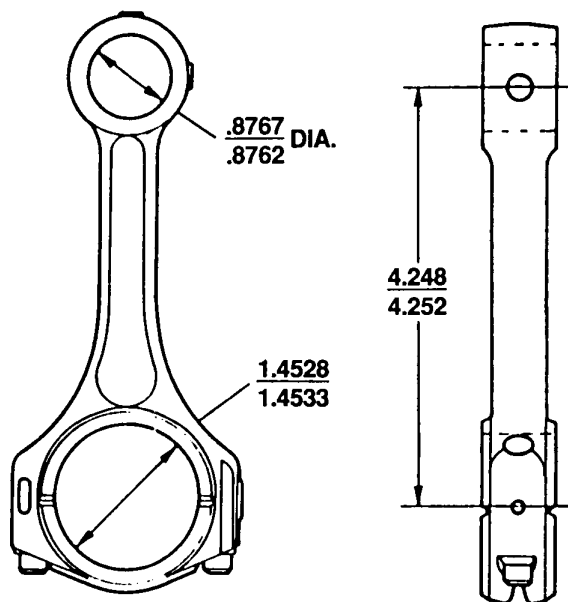
PISTON PIN



MAJ. = MAJOR DIAMETER (MEASURED 90° TO PISTON PIN CENTER LINE).

MIN. = MINOR DIAMETER (MEASURED ON PISTON PIN CENTER LINE).

PISTON



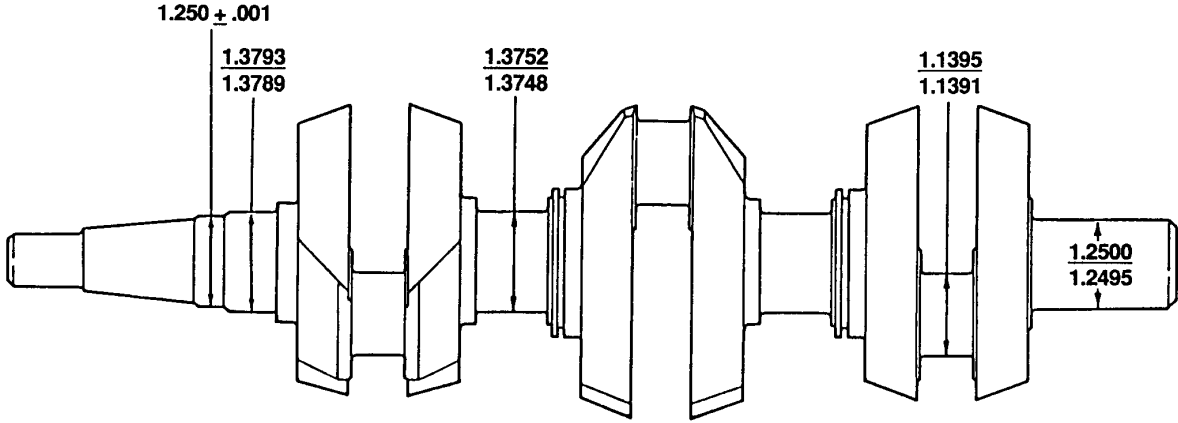
CONNECTING RODS



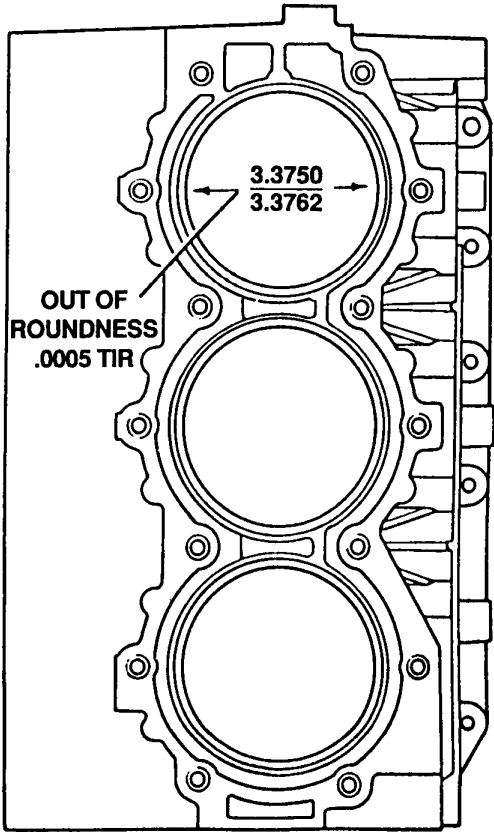


# 90/120 Sport Jet (Continued)

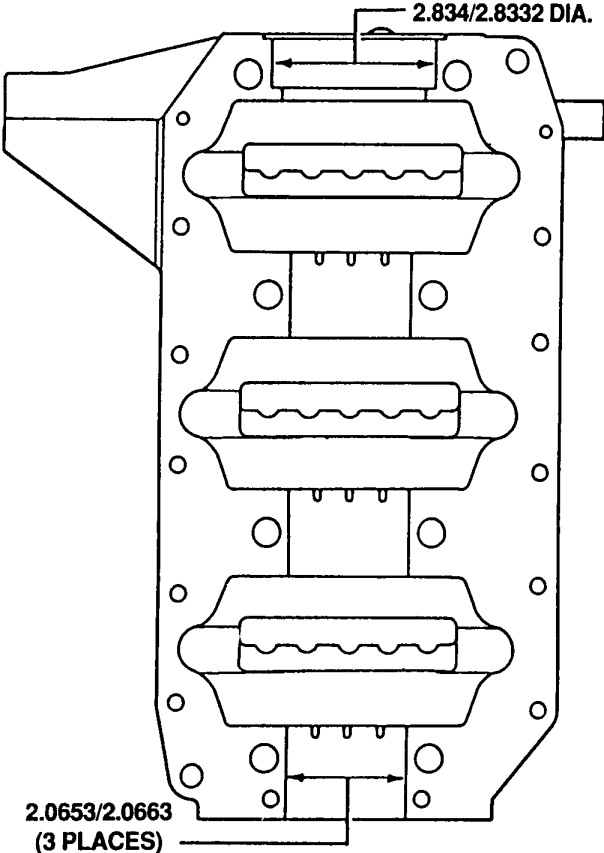
## Bottom Guided Rod Design (3-Cylinder Shown)



CRANKSHAFT

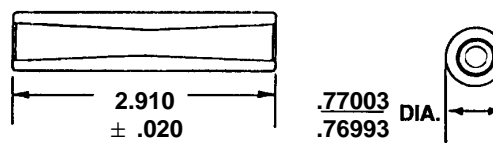


CYLINDER

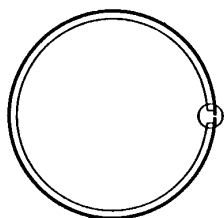




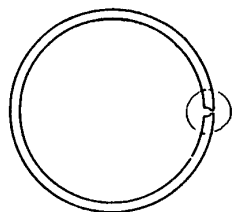
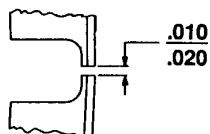
# 95XR/120XR Sport Jet Top Guided Rod Design



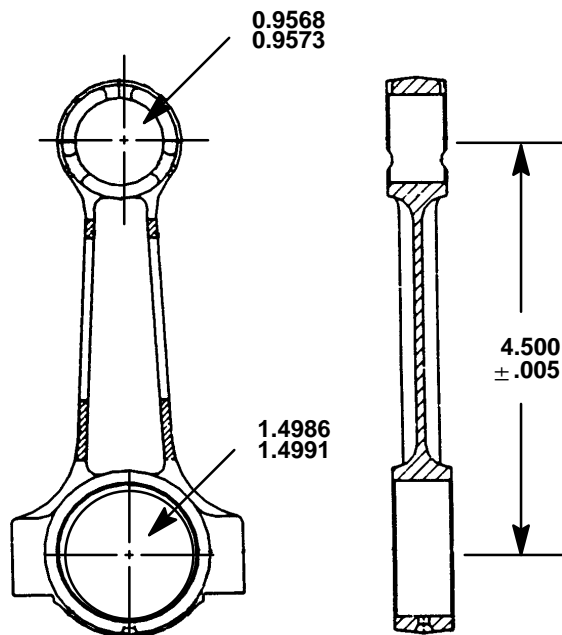
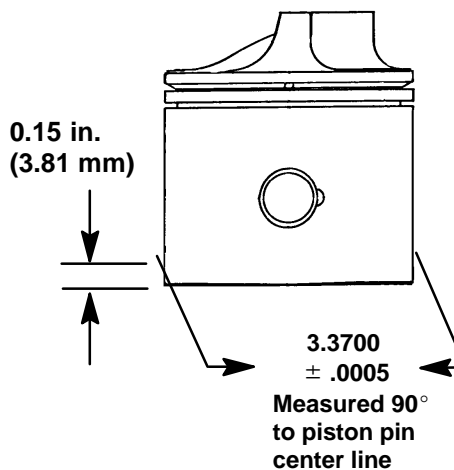
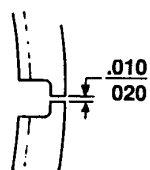
PISTON PIN



TOP PISTON RING



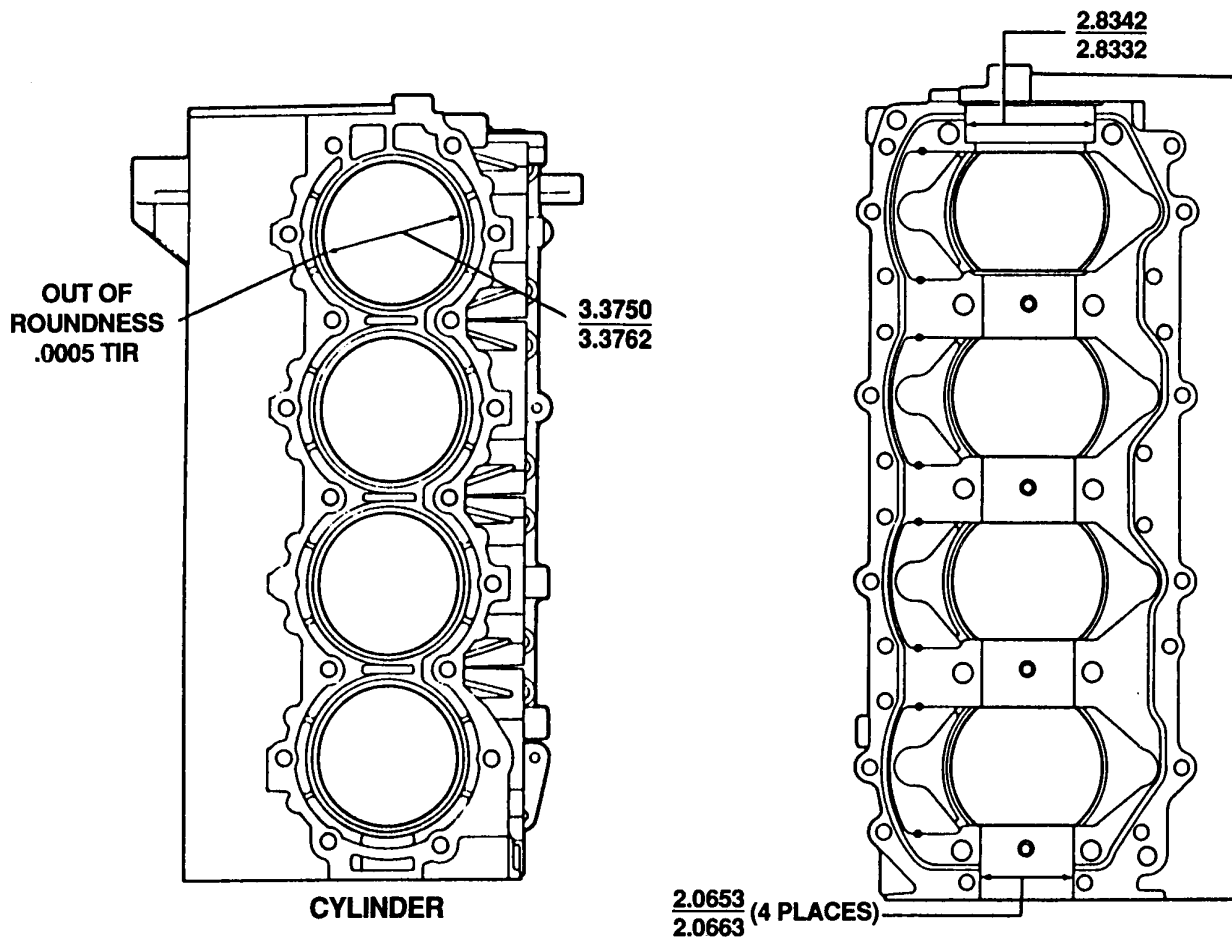
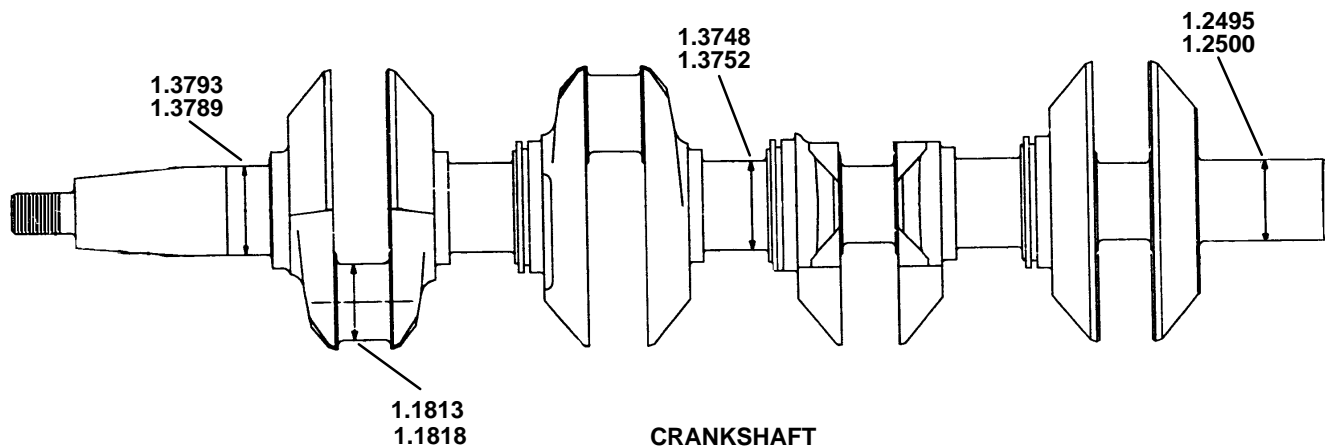
BOTTOM PISTON RING





# 95XR/120XR Sport Jet (Continued)

## Top Guided Rod Design (4-Cylinder Shown)





## Torque Chart

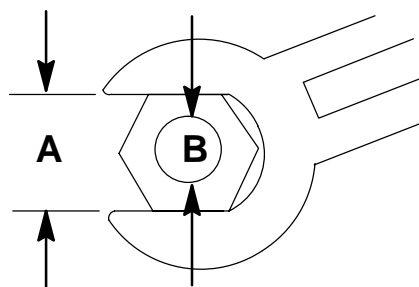
Special Items	Torque
Impeller Gear Nut	90 lb. ft. (122 N·m)
Pinion Gear Nut	90 lb. ft. (122 N·m)
Drive Housing Cover Bolts	30 lb. ft. (40.7 N·m)
Stator Bolts	30 lb. ft. (40.7 N·m)
Nozzle to Stator Bolts	30 lb. ft. (40.7 N·m)
Rudder Pivot Bolt	20 lb. ft. (27.1 N·m)
Reverse Gate Pivot Bolt	20 lb. ft. (27.1 N·m)
Powerhead to Drive Housing (M8 Nut)	20 lb. ft. (27.1 N·m)
Powerhead to Drive Housing (M10 Nut)	35 lb. ft. (47.5 N·m)
Steering Cable Mounting Bracket	200 lb. in. (22.6 N·m)
Steering Lever Screw	180 lb. in. (20.2 N·m)
Reverse Gate Stop Screw	120 lb. in. (13.6 N·m)
Shift Bracket Screw	50 lb. in. (5.6 N·m)
Inlet Screen Screw	75 lb. in. (8.5 N·m)
Ride Plate Screw	75 lb. in. (8.5 N·m)
Drive Shaft Nut	90 lb. in. (122 N·m)
Cylinder Head	225 lb. in. (25.4 N·m) Then Turn Additional 90°
Flywheel Nut	125 lb. ft. (169.47 N·m)
Main Bearing Bolts	270 lb. in. (30.4 N·m)
Connecting Rod Screws	120 lb. in. (13.6 N·m) Then Turn Additional 90°
Transfer Port Cover	80 lb. in. (9.03 N·m)
Exhaust Manifold	80 lb. in. (9.03 N·m)

## Standard Hardware

Screw or Nut Size	Torque
6 - 32	9 lb. in. (1.0 N·m)
8 - 32	20 lb. in. (2.3 N·m)
10 - 24	30 lb. in. (3.4 N·m)
10 - 32	35 lb. in. (3.9 N·m)
12 - 24	45 lb. in. (5.0 N·m)
1/4 - 20	70 lb. in. (7.8 N·m)
5/16 - 18	160 lb. in. (18.1 N·m)
3/8 - 16	270 lb. in. (30.4 N·m)

## Metric Hardware

A	B	Torque Specification		
		lb. in.	lb. ft.	N·m
8 mm	M5	36	3	4
10 mm	M6	70	6	8
12 mm	M8	156	13	18
14 mm	M10	312	26	36
17 mm	M12	372	31	42

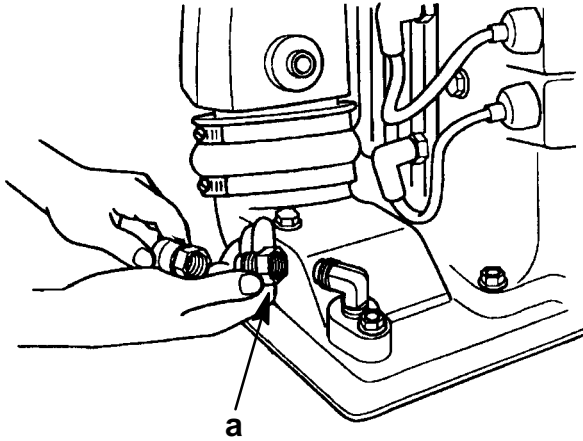




## Flushing Cooling System

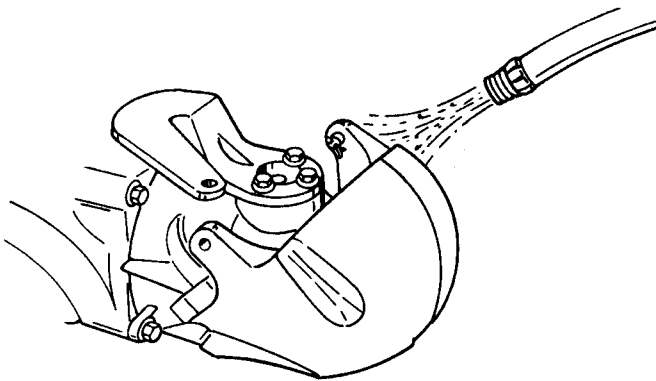
Flushing the cooling system is essential after each use in salt water, after the boat has run aground, or when the overheat warning horn sounds (debris in jet powerhead). We recommend using Dealer Kit (P/N 22-820573) to flush the cooling system.

1. Disconnect the inlet water hose at the rear starboard corner of the pump housing. Install the Dealer Kit and attach water hose.



a - Dealer Flushing Kit (22-820573)

2. Turn water on and flush engine block for at least 10 minutes.
3. Remove water hose and dealer flushing kit. Reinstall water inlet hose.
4. Flush outer surfaces of water outlet nozzle with water stream.



## Following Complete Submersion

Submerged engine treatment is divided into three distinct problem areas. The most critical is submersion in salt water; the second is submersion while running.

### SALT WATER SUBMERSION (SPECIAL INSTRUCTIONS)

Due to the corrosive effect of salt water on internal engine components complete disassembly is necessary before any attempt is made to start the engine.

### SUBMERGED WHILE RUNNING (SPECIAL INSTRUCTIONS)

When an engine is submerged while running, the possibility of internal engine damage is greatly increased. If, after engine is recovered and with spark plugs removed, engine fails to rotate freely when turning flywheel, the possibility of internal damage (bent connecting rod and/or bent crankshaft) exists. If this is the case the powerhead must be disassembled.

### SUBMERGED ENGINE (FRESH WATER) PLUS SPECIAL INSTRUCTIONS

1. Recover engine as quickly as possible.
2. Flush exterior of engine with fresh water to remove mud, weeds, etc. DO NOT attempt to start engine if sand has entered powerhead, as powerhead will be severely damaged. Disassemble powerhead if necessary to clean components.
3. Remove spark plugs and get as much water as possible out of powerhead by rotating flywheel.
4. Pour alcohol into carburetor throat (alcohol will absorb water). Again rotate flywheel.
5. Pour alcohol into spark plug openings and again rotate flywheel.
6. Pour engine oil into throats of carburetors while rotating flywheel to distribute oil throughout crankcase.
7. Pour approximately one teaspoon of engine oil into each spark plug opening. Rotate flywheel to distribute oil in cylinders.
8. Remove and clean carburetors and fuel pump assembly.
9. Reinstall spark plugs, carburetors and fuel pump.
10. Attempt to start engine, using a fresh fuel source. If engine starts it should be run for at least one hour to eliminate any water in engine.



- If engine fails to start determine cause (fuel, electrical or mechanical). Engine should be run within two hours after recovery from water as serious internal damage may occur. If unable to start engine in this period disassemble engine and clean all parts and apply oil as soon as possible.

## Out-of-Season Storage

### ⚠ WARNING

As a safety precaution, when boat is in storage, remove positive (+) battery cable. This will eliminate possibility of accidental starting of engine and resultant overheating and damage to engine from lack of water.

In preparing for out-of-season storage, two precautions must be considered: 1) The engine must be protected from physical damage caused by freezing trapped water and 2) the engine must be protected from rust, corrosion and dirt.

The following storage procedures should be followed to prepare the Sport Jet for out-of-season storage or prolonged storage (two months or longer).

### ⚠ CAUTION

Never start or run the Sport Jet (even momentarily) out of the water. Damage to the pump and engine will occur.

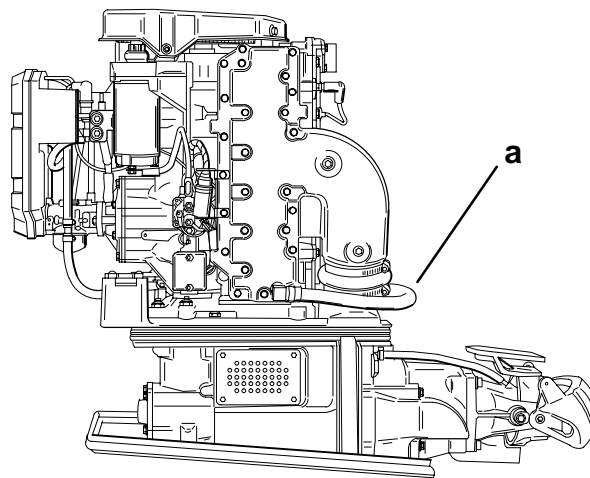
#### FUEL SYSTEM

**IMPORTANT:** Gasoline containing alcohol (ethanol or methanol) can cause a formation of acid during storage and can damage the fuel system. If the gasoline being used contains alcohol, it is advisable to drain as much of the remaining gasoline as possible from the fuel tank, remote fuel line, and engine fuel system.

Fill the fuel system (tank, hoses, fuel pump, and carburetors) with treated (stabilized) fuel to help prevent formation of varnish and gum. Proceed with the following instructions.

- Portable Fuel Tank: Pour the required amount of Quicksilver Gasoline Stabilizer (follow instructions on container) into fuel tank. Tip fuel tank back and forth to mix stabilizer with the fuel.
- Permanently Installed Fuel Tank: Pour the required amount of Quicksilver Gasoline Stabilizer (follow instructions on container) into a separate container and mix with approximately one quart (one liter) of gasoline. Pour this mixture into fuel tank.

- Place the Sport Jet in the water. Run the engine for ten minutes to allow treated fuel to reach the carburetors.
- With Sport Jet in the water, start the engine and let it warm up to operating temperature.
  - Disconnect the fuel line. When the engine starts to stall quickly spray Quicksilver Storage Seal into each carburetor throat. Continue to spray until engine dies from lack of fuel.
  - Remove spark plugs and inject a five second spray of Quicksilver Storage Seal around the inside of each cylinder. Manually turn engine over several times to distribute Storage Seal throughout cylinders. Reinstall spark plugs.
  - Drain and refill drive housing unit and stator assembly with Quicksilver Hi Performance Gear Lube as explained in "Jet Pump" section (see **Table of Contents**).
  - Clean engine thoroughly including all accessible powerhead parts and spray with Corrosion and Rust Preventive.
  - Remove water inlet hose and drain any trapped water. Reconnect hose.



a - Water Inlet Hose

- Lubricate all lubrication points.
- To prevent freeze damage drain the speedometer system of water completely before storage. Remove tubing from speedometer fitting and blow through tubing to remove water.
- Store battery as outlined in **Out-of-Season Battery Storage** following:



**IMPORTANT: Check and refill housings with Quicksilver Hi Performance Gear Lube before storage to protect against possible water leakage into housings which is caused by loose lubricant vent plug or loose grease fill plug. Inspect gaskets under lubricant vent and fill plugs replacing any damaged gaskets before reinstalling plugs.**

## Out-of-Season Battery Storage

1. Remove battery as soon as possible and remove all grease, sulfate and dirt from top surface.
2. Cover plates with distilled water, but not over 3/16 in. (5 mm) above perforated baffles.
3. Cover terminal bolts well with grease.
4. Store battery in a cool, dry place in a dry carton or box.
5. Remove battery from storage every 60 days. Check water level and place on charge for 5 to 6 hours at 6 amperes. DO NOT fast charge.

### **⚠ CAUTION**

**A discharged battery can be damaged by freezing.**

## How Weather Affects Engine Performance

It is a known fact that weather conditions exert a profound effect on power output of internal combustion engines. Therefore, established horsepower ratings refer to the power that the engine will produce at its rated RPM under a specific combination of weather conditions.

Corporations internationally have settled on adoption of I.S.O. (International Standards Organization) engine test standards as set forth in I.S.O. 3046 standardizing the computation of horsepower from data obtained on the dynamometer correcting all values to the power that the engine will produce at sea level at 30% relative humidity at 77° F (25° C) temperature and a barometric pressure of 29.61 inches of mercury.

Summer Conditions of high temperature, low barometric pressure and high humidity all combine to reduce the engine power. This, in turn, is reflected in decreased boat speeds--as much as 2 or 3 miles-per-hour (3 or 5 km per hour) in some cases. Nothing will regain this speed for the boater, but the coming of cool, dry weather.

In pointing out the practical consequences of weather effects, an engine running on a hot, humid, summer day may encounter a loss of as much as 14% of the horsepower it would produce on a dry, brisk spring or fall day. The horsepower that any internal combustion engine produces depends upon the density of the air that it consumes and, in turn, this density is dependent upon the temperature of the air, its barometric pressure and water vapor (or humidity) content.

## Detonation: Causes and Prevention

Detonation in a 2-cycle engine somewhat resembles the "pinging" heard in an automobile engine. It can be otherwise described as a tin-link "rattling" or "plinking" sound.

Detonation generally is thought of as spontaneous ignition, but it is best described as a noisy explosion in an unburned portion of the fuel/air charge after the spark plug has fired. Detonation creates severe, untimely shock waves in the engine and these shock waves often find or create a weakness: the dome of a piston, piston rings or piston ring lands, piston pin and roller bearings.

While there are many causes for detonation in a 2-cycle engine emphasis is placed on those causes which are most common in marine 2-cycle application. A few which are not commonly understood are:

1. Over-advanced ignition timing.
2. Use of low octane gasoline.
3. Lean fuel mixture at or near wide open throttle.
4. Spark plugs (heat range too hot, incorrect reach, cross-firing).
5. Inadequate engine cooling (deteriorated cooling system).
6. Combustion chamber/piston deposits (result in higher compression ratio).

Detonation usually can be prevented provided that (1) the engine is correctly set up and (2) diligent maintenance is applied to combat the preceding detonation causes listed.





## Compression Check

1. Remove spark plugs.
2. Install compression gauge in spark plug hole.
3. Hold throttle plates at W.O.T.
4. Crank engine through at least four compression strokes to obtain highest possible reading.
5. Check and record compression of each cylinder. Variation of more than 15 psi (103.5 kPa) between cylinders indicates that lower compression cylinder is in some way defective such as worn or sticking piston rings and/or scored piston and cylinder.
6. Compression check is important because an engine with low or uneven compression cannot be tuned successfully to give peak performance. It is essential, therefore, that improper compression be corrected before proceeding with an engine tune-up.

7. Cylinder scoring: if powerhead shows any indication of overheating, such as discolored or scorched paint, visually inspect cylinders for scoring or other damage as outlined in Section 4: **Powerhead**.

## Water Pressure Check

*NOTE: To perform these checks a Water Pressure Gauge Kit P/N 91-79250A2 is recommended.*

1. Water pressure at idle in NEUTRAL, is 1/2–1-1/2 psi (3.4-10.3 kPa).
2. Water pressure in FORWARD gear at 5000 RPM is 5–7 psi (34–48 kPa).

### CAUTION

**Static test requires the boat be stationary in the water secured to a dock or trailer and run in forward. Do not use a flushing device for this test.**