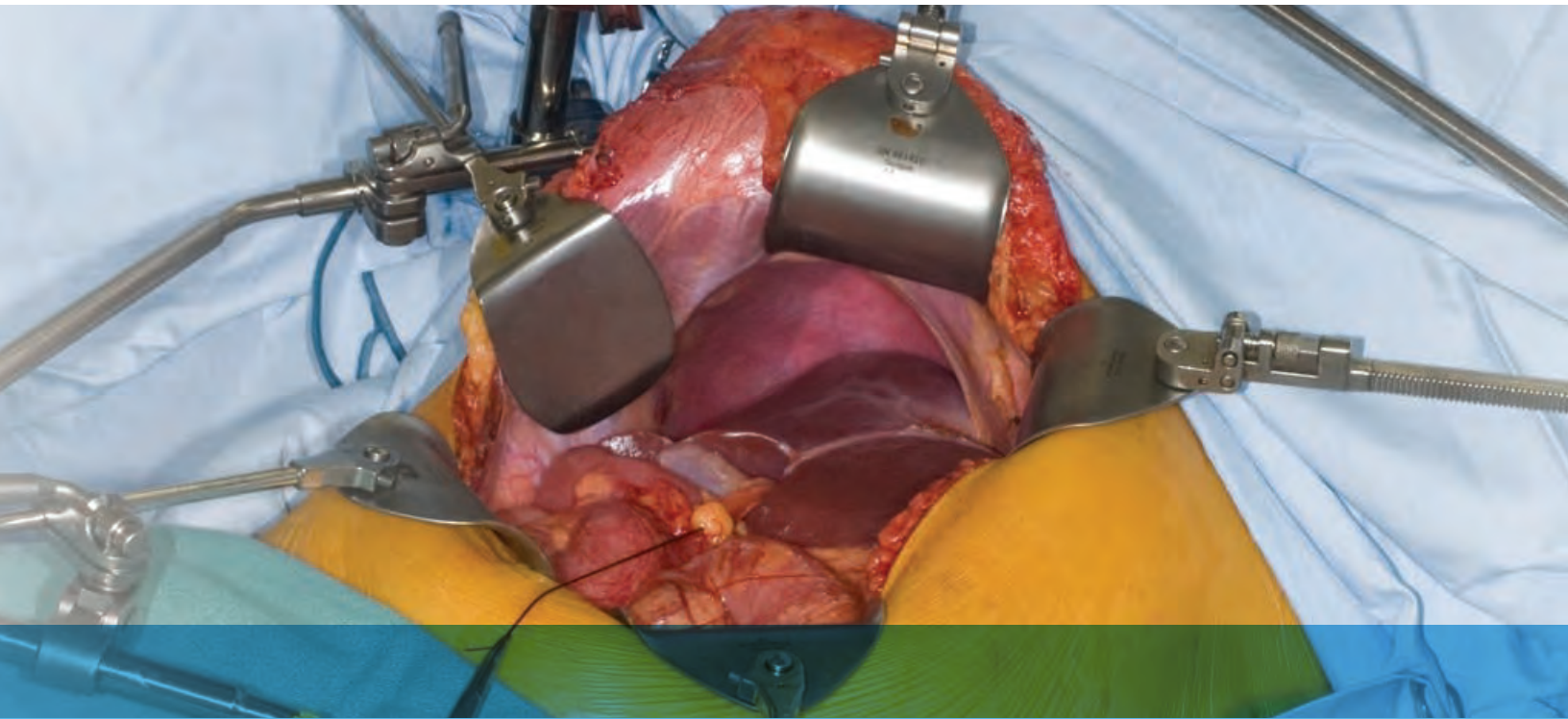


General / Vascular, Transplant, and Oncology Selection Guide

Thompson Retractor 



- LIVER TRANSPLANT / RESECTION
- OBESITY
- GENERAL / VASCULAR
- ANTERIOR LUMBAR
- PEDIATRIC
- COLON / RECTAL
- KIDNEY TRANSPLANT
- MINIMAL ACCESS
- SMALL INCISION / CAROTID
- ONCOLOGY
- LAPAROSCOPIC

Uncompromised Exposure.

Innovation In Surgical Retraction

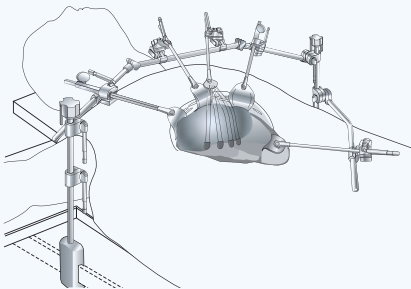
Thompson Surgical Instruments, Inc. is the market leader in surgical retraction and the original manufacturer of the table mounted retractor. In use for over thirty years, the Thompson Retractor is the only mechanical retractor to offer one frame for all exposure needs, multi-planed independent retraction, and unlimited customization.

We understand the value of exposure in successful surgery and are dedicated to providing innovative, high quality retractor systems that deliver safe, versatile, low-profile retraction.

General/Vascular, Transplant, and Oncology surgeons will benefit from the Thompson Retractor's ability to provide Uncompromised Exposure for a variety of procedures ranging from liver to complex abdominal and pelvic cases.

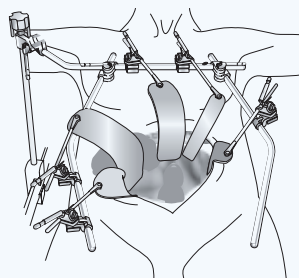
"The Thompson Liver Transplant / Resection System is the best retractor system available." —Michael Angelis MD

LIVER TRANSPLANT / RESECTION



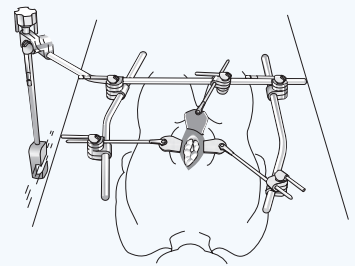
Page 14

GENERAL / VASCULAR



Page 8

OBESITY & PEDIATRIC



Page 9 & 11

OBESITY & PEDIATRIC OPTIONS

Bariatric and pediatric surgeons will benefit from the special blade kits and handles designed specifically for their patients. For pediatric patients, use a shorter rail clamp such as the 11" (41902ACS). For bariatric patients, see our micro-adjustable bariatric handles on page 16. The Thompson Retractor frame can be set up to accommodate all patient sizes while maintaining a low-profile working area.

Uncompromised Exposure with the Thompson Retractor

Exclusive Features



INDEPENDENT FRAME ARMS

The lateral frame arms can be independently adjusted to easily facilitate precise retraction and create a low-profile operating field. Independent frame arms enable safe, versatile retraction.



BILATERAL TABLE MOUNT & HINGED CROSSBAR

Using two Elite II Rail Clamps, the Thompson Retractor mounts to the OR bed bilaterally adding the stability and strength required for larger cases. The patented Hinged Crossbar allows for multi-planed retraction.



ONE-PIECE CLIP-ON RETRACTOR HANDLES

All retractor handles are available in one-piece, thereby reducing inventory and instrument counts. Patented spring loaded clip-on joints are low-profile, can be clipped anywhere on the frame, quickly secure and never fall off. The quick locking cam handle always points away from the field.



ANGLING TECHNOLOGY

Angling Retractor Handles provides versatile low-profile positioning of retractor blades allowing surgeons to maintain a low-profile operating field. Available on all handles.



MICRO-ADJUSTABLE HANDLE & ROTATING FEATURE

Patented Micro-Adjustable Handles enable surgeons to obtain increased leverage and precise blade retraction with micro-adjustability. Rotating feature provides atraumatic alignment on anatomy and precise blade positioning.



INTERCHANGEABLE QUICK BLADE CHANGE

Included on all retractor handles is a patented locking, interchangeable blade feature. This feature enables quick blade changes with just the push of a button. All blades are interchangeable with retractor handles.

Blades

SUPERIOR BLADE SELECTION

Thompson offers various kits and patented blades in a wide array of styles to suit many surgical needs. Custom blades are available upon request.

OBESITY & PEDIATRIC BLADES

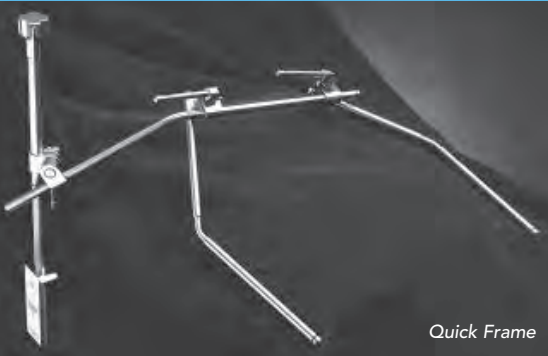
Bariatric and pediatric patients are easily accommodated with a variety of large and small blade sizes. All blade styles are available in custom sizes by request.

COMPETITOR HANDLES

Enables adaption of any Thompson interchangeable blade to Bookwalter, Omni, and Synthes Retractors.

Thompson Retractor Frames

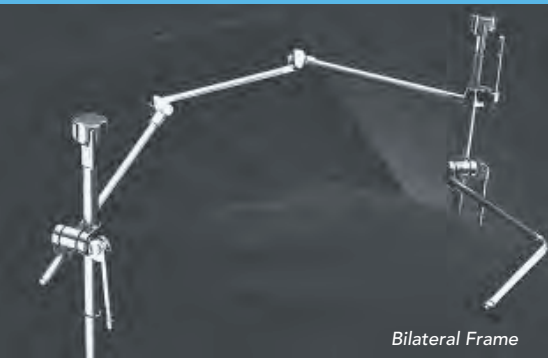
In use for over 30 years, the Thompson Retractor is the only mechanical retractor to offer one frame for all exposure needs, multi-planed retraction, and unlimited customization.



Quick Frame

QUICK & BILATERAL FRAME BENEFITS

- Quick set up
- Sterile mount rail clamps
- Easy cam lock joints
- Independent lateral arms
- All one-piece components
- Uncompromised Exposure



Bilateral Frame

ADDITIONAL BILATERAL BENEFITS

- Bilateral rigidity & stability
- Multi-plane retraction

QUICK FRAME

QTY	ITEM DESCRIPTION	INTERCH. PART #	S-LOCK PART #
Quick Frame		90011B	SL90011B
1	Elite II Rail Clamp with 1 Cam Joint 18"	41902AC	41902AC
1	Crossbar with 2 Cam Joints 24"	41900BC	41900BC
2	Angled Arm 18" (8" x 10")	44118N	44118N
2	Angled Arm 24" (8" x 16")	44124N	44124N
3	Cam II Clip-on Angling 8"	42126WA	SL42126WA
2	Micro-Adjustable II Clip-on Angling 10"	45006CA	SL45006CA
1	Angling Head Wrench	43032	43032

For Anterior Lumbar Blade Kits see Spine Frame (90003CS) and S-Lock Spine Frame (SL90003)

BILATERAL FRAME

QTY	ITEM DESCRIPTION	INTERCH. PART #	S-LOCK PART #
Bilateral Frame*		90015A	SL90015A
2	Elite II Rail Clamp with 2 Cam Joint 22"	41905AC	41905AC
1	Bilateral Crossbar Hinged	41900H	41900H
1	Bilateral Crossbar Hinged-Large	41900HL	41900HL
2	Angled Arm 24"	44124W	44124W
5	Cam II Clip-on Angling 8"	42126WA	SL42126WA
2	Micro-Adjustable II Clip-on Angling 10"	45006CA	SL45006CA
1	Angling Head Wrench	43032	43032

*Add 1, 41900BC for use as a Quick Frame

Frame Set-Up



ELITE II RAIL CLAMP

Top control eases attachment to the OR table over the sterile drapes. Bilateral and unilateral set up options offer versatility and stability.



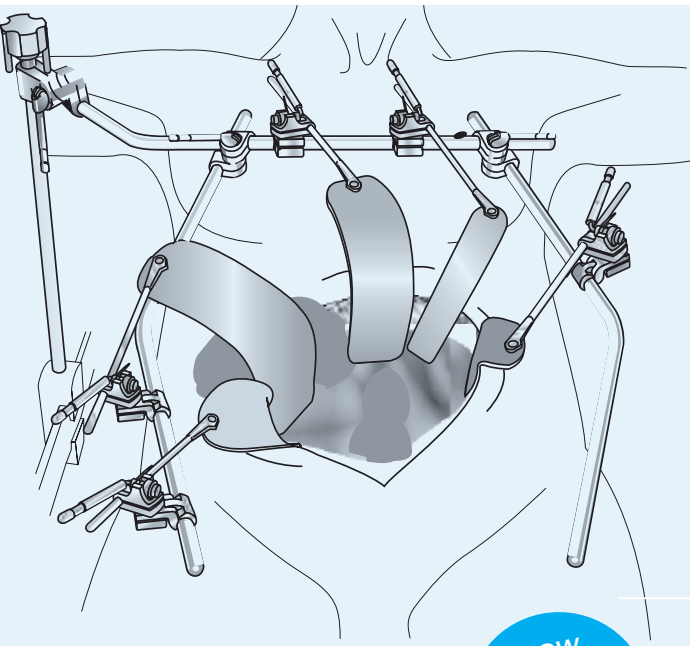
CROSSBARS

One-piece design offers instant lock-and-release, making set-up, adjustments, and instrument count time quick and easy. As shown, the crossbar quickly locks in place and can be adjusted to different heights for multi-planed retraction.



INDEPENDENT LATERAL ARMS

Unlimited set-up possibilities and flexibility are yours with the patented cam locking independently adjustable arms. Exposure shouldn't be compromised with "ring" shaped frames.



Uncompromised Exposure with the Quick Frame

Utilizing a unilateral frame set up, the Thompson Retractor offers Uncompromised Exposure for general/vascular, bariatric, pediatric, colon/rectal, kidney, carotid artery, and small or minimal access procedures.

Thompson offers several blade kits and systems designed specifically for each operation. Combined with the speed and ease of the Thompson Retractor set up, obtaining visibility and access has never been better.

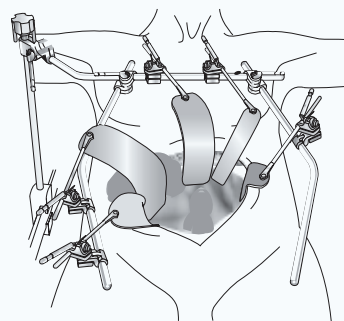
• *The Thompson Retractor is ideal for open abdominal surgery. See the General/Vascular Blade Kit on page 8.*

NOW AVAILABLE IN S-LOCK!

Exclusive Retractor Systems & Blade Kits

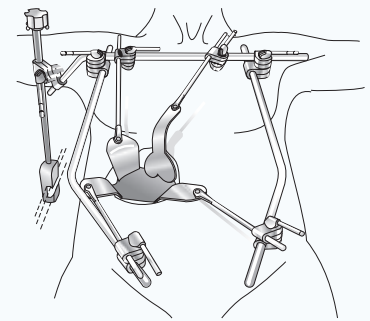
The Thompson Retractor offers independent retraction, versatile, and fast set up options, frame flexibility, and an expansive selection of blades sizes and styles. Unique systems for specialty procedures can be created from Thompson's complete blade and frame component selection.

Contact Thompson at 1.800.227.7543 to customize any frame set up and blade kit.



GENERAL / VASCULAR BLADE KIT (91003L)

The General/Vascular Blade Kit provides excellent access for larger abdominal procedures including the surgical repair of abdominal aortic aneurysms. See page 8.



GENERAL BLADE KIT (91002L)

The General Blade Kit is well suited for upper abdominal procedures and offers the versatility required for the most challenging cases. See page 8 for complete kit.

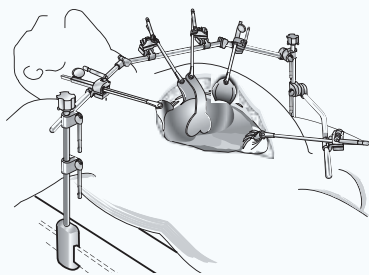


Low profile kidney transplant exposure is achievable using the versatile Quick Frame and Minimal Access Blade Kit on page 10.



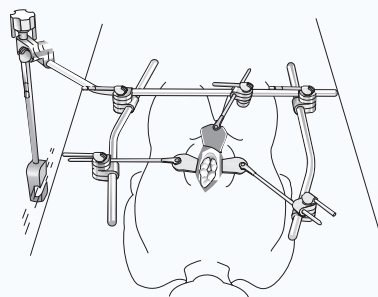
VAST BLADE SELECTION

Thompson offers several varieties of blade kits and styles for the Quick Frame. All blade kit contents can be customized to meet specific needs. See page 13 for radiolucent blade kits.



OBESITY BLADE KIT (91012L)

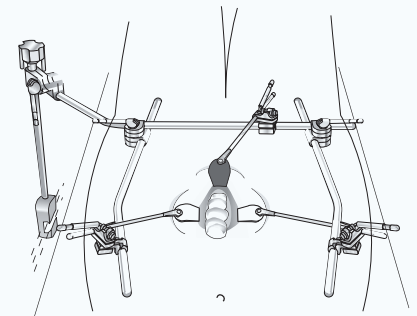
Bariatric patients are easily accommodated with a variety of large blade sizes found in the obesity, liver, and general sets. See page 9 for the Obesity Blade Kit and page 16 for Micro-Adjustable Bariatric Handles.



PEDIATRIC BLADE KIT (91009L)

PEDIATRIC ABDOMINAL SYSTEM (91034AP)

The Pediatric Kit and system offer a variety of small blade sizes for pediatric patients. All blade styles are available in custom sizes by request. See page 11 for complete sets.



COLON / RECTAL BLADE KIT (91007L)

Utilize special blades such as the St. Marks and Hill-Furgeson with angling retractor handles and independent frame arms to offer Uncompromised Exposure. See page 10 for complete kit.

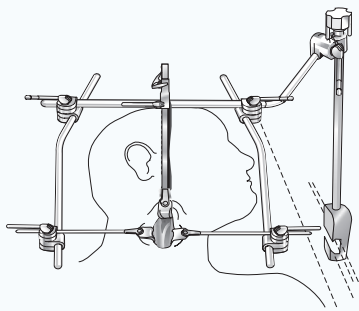


• **COMPATIBILITY**

The Thompson Retractor frame can be shared across multiple specialties because one frame can be combined with multiple blade kits to create several exposure systems. Frame components, such as handles and arms, can be customized to each surgeon's needs and are offered in different sizes and styles – all interchangeable.

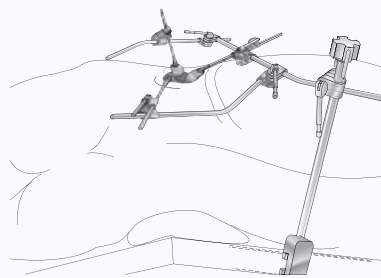
THOMPSON QUICK FRAME PROVIDES:

- Uncompromised Exposure for minimal access procedures
- Versatile, unique set ups
- Low-profile retraction



SMALL INCISION / CAROTID BLADE KIT (91006LL)

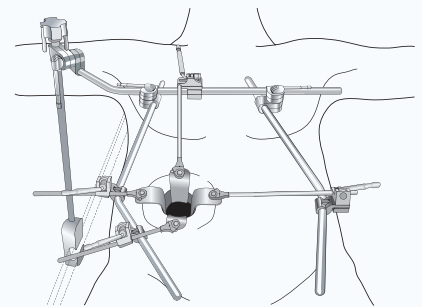
Utilize this kit with the Quick Frame to allow for multiple set up options and independent retraction of anatomical structures. Obtain precise retraction with micro-adjustable and angling retractor handles. See page 10 for complete kit.



MINIMAL ACCESS BLADE KIT (91051)

Ideal for surgeons requiring smaller incisions, unsurpassed exposure, and excellent visibility – especially for nephrectomies. See page 10 for complete kit.

- Call for a complete urology guide.



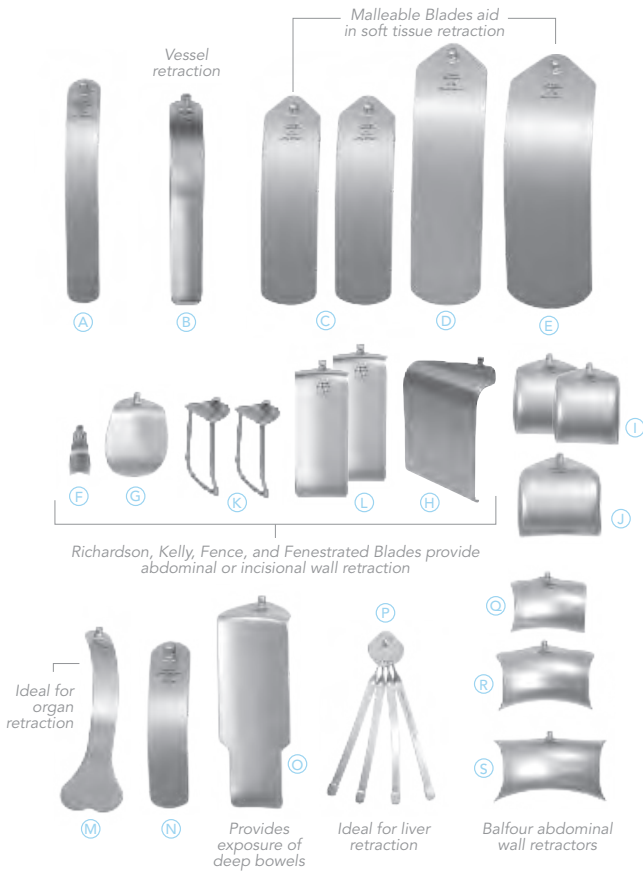
KIDNEY TRANSPLANT BLADE KIT (91045L)

Smooth, narrow blades are ideal for limited working areas and the low profile angling handles in the Quick Frame will free up working space. Malleable Blades offer gentle retraction and versatility. See page 9 for complete kit.

- Call for a complete urology guide.

See pages 8-11 for complete blade kit and ordering information.

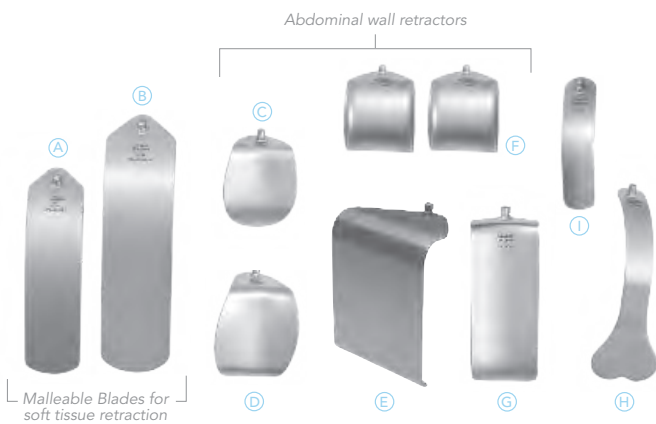
GENERAL / VASCULAR BLADE KIT



QTY	ITEM DESCRIPTION	INTERCH. PART #	S-LOCK PART #
	General / Vascular Blade Kit	91003L	SL91003L
(A) 1	Malleable 25mm x 203mm (1" x 8")	46118	SL46118
(B) 1	Concave Renal Vein 25mm x 191mm (1" x 7 1/2")	46119C	SL46119C
(C) 2	Malleable 51mm x 203mm (2" x 8")	46122	SL46122
(D) 1	Malleable 64mm x 254mm (2 1/2" x 10")	46124	SL46124
(E) 1	Malleable 76mm x 254mm (3" x 10")	46124A	SO46124A
(F) 1	Richardson 19mm x 25mm (3/4" x 1")	46125	SL46125
(G) 1	Kelly 64mm x 76mm (2 1/2" x 3")	46129	SO46129
1	Fence 102mm x 102mm (4" x 4")	46134	SO46134
(H) 1	Fence 102mm x 127mm (4" x 5")	46135	SO46135
1	Fence 102mm x 152mm (4" x 6")	46136	SO46136
(I) 2	Balfour 70mm x 76mm (2 3/4" x 3")	46140	SO46140
(J) 1	Balfour 83mm x 76mm (3 1/4" x 3")	46141	SO46141
(K) 2	Fenestrated 44mm x 89mm (1 3/4" x 3 1/2")	46143	SL46143
(L) 2	Richardson 51mm x 127mm (2" x 5")	46151	SO46151
(M) 1	Harrington 64mm x 152mm (2 1/2" x 6")	46160	SL46160
(N) 1	Deaver 51mm x 127mm (2" x 5")	46174	SL46174
(O) 1	St. Mark's 64mm x 178mm (2 1/2" x 7")	46188	SO46188
(P) 1	Malleable Finger 6"	46191	SL46191
(Q) 1	Balfour 83mm x 57mm (3 1/4" x 2 1/4")	46241A	SO46241A
(R) 1	Balfour 102mm x 57mm (4" x 2 1/4")	46241B	SO46241B
(S) 1	Balfour 114mm x 57mm (4 1/2" x 2 1/4")	46241C	SO46241C

Requires a Quick Frame or Bilateral Frame, see page 4.
S-Lock requires an S-Lock Frame or S-Lock Bilateral Frame, see page 4.

GENERAL BLADE KIT



QTY	ITEM DESCRIPTION	INTERCH. PART #	S-LOCK PART #
	General Blade Kit	91002L	SL91002L
(A) 1	Malleable 51mm x 203mm (2" x 8")	46122	SL46122
(B) 1	Malleable 64mm x 254mm (2 1/2" x 10")	46124	SL46124
(C) 1	Kelly 64mm x 76mm (2 1/2" x 3")	46129	SO46129
(D) 1	Kelly 76mm x 89mm (3" x 3 1/2")	46130	SO46130
(E) 1	Fence 102mm x 152mm (4" x 6")	46136	SO46136
(F) 2	Balfour 70mm x 76mm (2 3/4" x 3")	46140	SO46140
(G) 1	Richardson 51mm x 127mm (2" x 5")	46151	SO46151
(H) 1	Harrington 64mm x 152mm (2 1/2" x 6")	46160	SL46160
(I) 1	Deaver 51mm x 127mm (2" x 5")	46174	SL46174

Requires a Quick Frame, see page 4.
S-Lock requires an S-Lock Frame, see page 4.

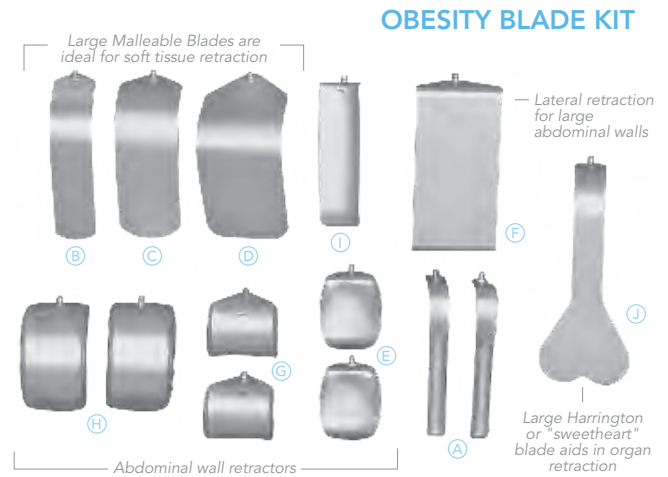
ANTERIOR LUMBAR BLADE KITS

SEE PAGE 13 FOR COMPLETE LIST OF BLADES

ITEM DESCRIPTION	PART #
S-Lock Brau Anterior Lumbar Blade Kit	SL91046
Brau Anterior Lumbar Blade Kit	91046N
S-Lock Radiolucent Anterior Lumbar Blade Kit	SL91035
Radiolucent Anterior Lumbar Blade Kit	91035NT

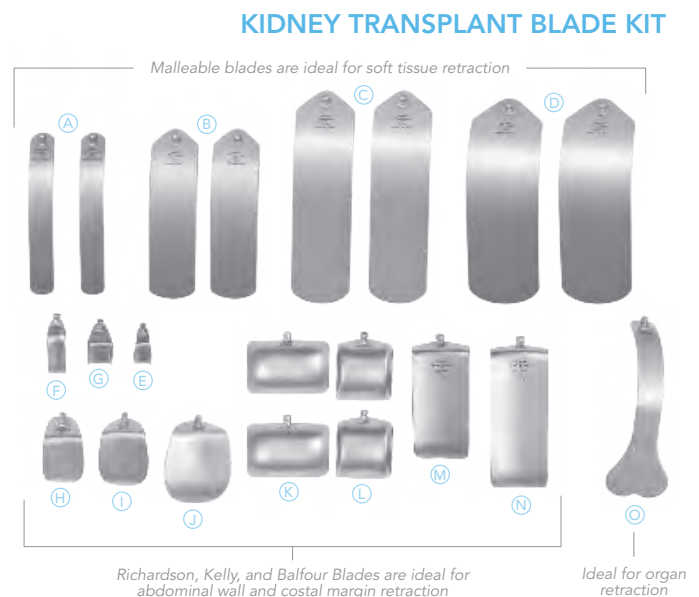
QTY	ITEM DESCRIPTION	INTERCH. PART #	S-LOCK PART #
Obesity Blade Kit			
		91012L	SL91012L
(A)	2 Concave Renal Vein 25mm x 191mm (1" x 7 1/2")	46119C	SL46119C
(B)	1 Malleable 51mm x 254mm (2" x 10")	46122A	SL46122A
(C)	1 Malleable 76mm x 254mm (3" x 10")	46124A	SO46124A
(D)	1 Malleable 102mm x 254mm (4" x 10")	46124B	SO46124B
(E)	2 Kelly 76mm x 89mm (3" x 3 1/2")	46130	SO46130
(F)	1 Fence 102mm x 203mm (4" x 8")	46136A	SO46136A
(G)	2 Balfour 83mm x 76mm (3 1/4" x 3")	46141	SO46141
	4 Balfour 83mm x 127mm (3 1/4" x 5")	46141D	SO46141D
(H)	2 Balfour 89mm x 160mm (3 1/2" x 6 1/4")	46141F	SO46141F
(I)	1 Richardson 51mm x 178mm (2" x 7")	46153	SO46153
(J)	1 Harrington 114mm x 254mm (4 1/2" x 10")	46161	SL46161

Requires a Quick Frame or Bilateral Frame, see page 4.
S-Lock requires an S-Lock Frame or S-Lock Bilateral Frame, see page 4.



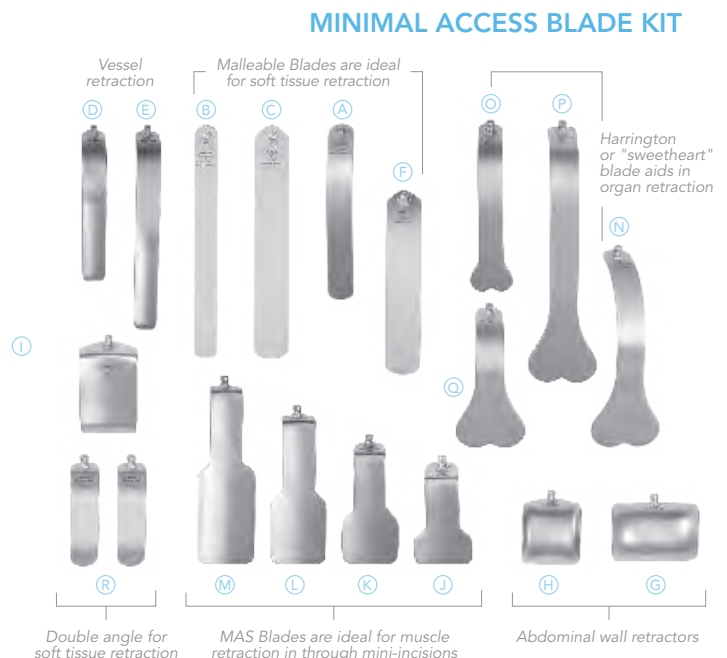
QTY	ITEM DESCRIPTION	INTERCH. PART #	S-LOCK PART #
Kidney Transplant Blade Kit			
		91045L	SL91045L
(A)	2 Malleable 25mm x 203mm (1" x 8")	46118	SL46118
(B)	2 Malleable 51mm x 203mm (2" x 8")	46122	SL46122
(C)	2 Malleable 64mm x 254mm (2 1/2" x 10")	46124	SL46124
(D)	2 Malleable 76mm x 254mm (3" x 10")	46124A	SO46124A
(E)	1 Richardson 19mm x 25mm (3/4" x 1")	46125	SL46125
(F)	1 Richardson 19mm x 51mm (3/4" x 2")	46125A	SL46125A
(G)	1 Richardson 25mm x 32mm (1" x 1 1/4")	46126	SL46126
(H)	1 Kelly 38mm x 51mm (1 1/2" x 2")	46127	SL46127
(I)	1 Kelly 51mm x 64mm (2" x 2 1/2")	46128	SL46128
(J)	1 Kelly 64mm x 76mm (2 1/2" x 3")	46129	SO46129
(K)	2 Balfour 76mm x 51mm (3" x 2")	46140P	SL46140P
(L)	2 Balfour 51mm x 57mm (2" x 2")	46142P	SL46142P
(M)	1 Richardson 51mm x 102mm (2" x 4")	46150	SL46150
(N)	1 Richardson 51mm x 127mm (2" x 5")	46151	SO46151
(O)	1 Harrington 64mm x 152mm (2 1/2" x 6")	46160	SL46160

Requires a Quick Frame, see page 4. (Urology kit also available.)
S-Lock requires an S-Lock Frame, see page 4.

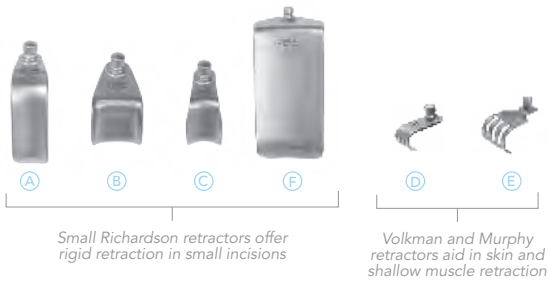


QTY	ITEM DESCRIPTION	INTERCH. PART #	S-LOCK PART #
Minimal Access Blade Kit			
		91051	SL91051
(A)	1 Malleable 25mm x 203mm (1" x 8")	46118	SL46118
(B)	1 Malleable 25mm x 254mm (1" x 10")	46118A	SL46118A
(C)	1 Malleable 38mm x 254mm (1 1/2" x 10")	46118B	SL46118B
(D)	1 Concave Renal Vein 25mm x 140mm (1" x 5 1/2")	46119B	SL46119B
(E)	1 Concave Renal Vein 25mm x 191mm (1" x 7 1/2")	46119C	SL46119C
(F)	1 Malleable 28mm x 203mm (1 1/2" x 8")	46123	SL46123
(G)	1 Balfour 76mm x 51mm (3" x 2")	46140P	SL46140P
(H)	1 Balfour 51mm x 51mm (2" x 2")	46142P	SL46142P
(I)	1 Richardson 51mm x 76mm (2" x 3")	46154	SL46154
(J)	1 MAS Richardson 51mm x 76mm (2" x 3")	46155	SO46155
(K)	1 MAS Richardson 51mm x 102mm (2" x 4")	46156	SO46156
(L)	1 MAS Richardson 51mm x 127mm (2" x 5")	46157	SO46157
(M)	1 MAS Richardson 51mm x 152mm (2" x 6")	46158	SO46158
(N)	1 Harrington 64mm x 152mm (2 1/2" x 6")	46160	SL46160
(O)	1 Harrington 38mm x 127mm (1 1/2" x 5")	46162P	SL46162P
(P)	1 Harrington 64mm x 203mm (2 1/2" x 8")	46163	SL46163
(Q)	1 Harrington 64mm x 102mm (2 1/2" x 4")	46165	SL46165
(R)	2 Double Angled 25mm x 76mm (1" x 3")	46660	SL46660

Requires a Quick Frame, see page 4.
S-Lock requires an S-Lock Frame, see page 4.



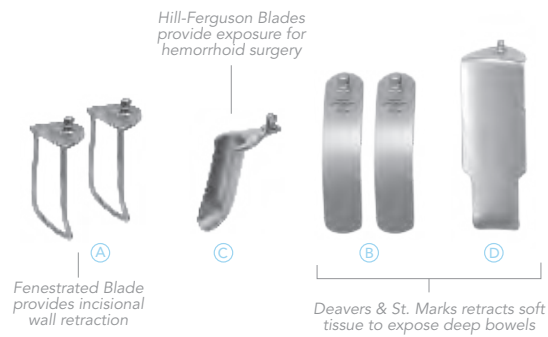
SMALL INCISION / CAROTID BLADE KIT



QTY	ITEM DESCRIPTION	INTERCH. PART #	S-LOCK PART #
Small Incision / Carotid Blade Kit		91006LL	SL91006LL
(A) 1	Richardson 19mm x 25mm (3/4" x 1")	46125	SL46125
(B) 1	Richardson 19mm x 50mm (3/4" x 2")	46125A	SL46125A
(C) 1	Richardson 25mm x 32mm (1" x 1 1/4")	46126	SL46126
(D) 1	Volkman Blunt 16mm x 13mm (5/8" x 1/2")	46213	SL46213
(E) 1	Murphy Blunt 25mm x 16mm (1" x 5/8")	46215	SL46215
2	Richardson 44mm x 51mm (1 3/4" x 2")	46149	SL46149
(F) 1	Richardson 51mm x 102mm (2" x 4")	46150	SL46150

Requires a Quick Frame; S-Lock requires an S-Lock Frame, see page 4.

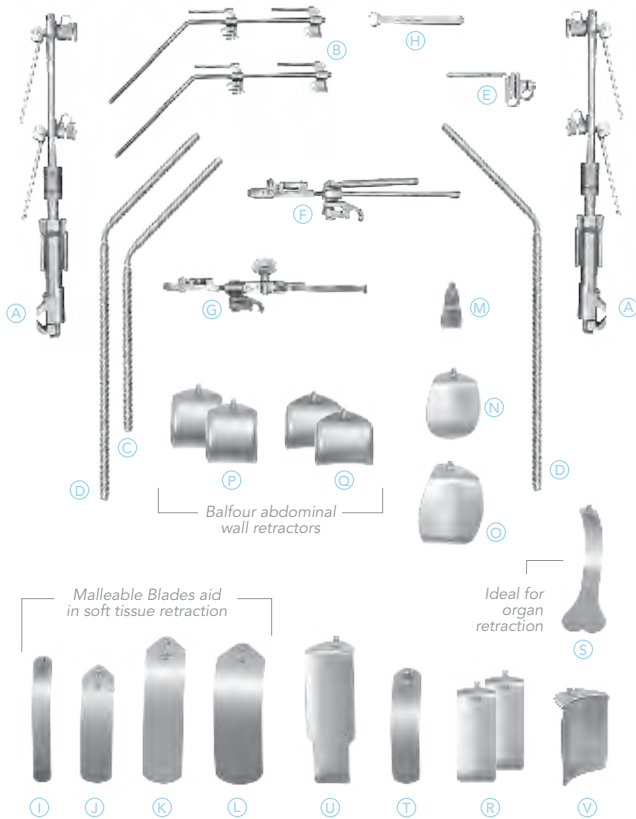
COLON / RECTAL BLADE KIT



QTY	ITEM DESCRIPTION	INTERCH. PART #	S-LOCK PART #
Colon / Rectal Blade Kit		91007L	SL91007L
(A) 2	Fenestrated 44mm x 89mm (1 3/4" x 3 1/2")	46143	SL46143
(B) 2	Deaver 25mm x 127mm (1" x 5")	46170	SL46170
(C) 1	Hill-Ferguson 32mm x 76mm (1 1/4" x 3")	46185	SL46185
1	Hill-Ferguson 25mm x 64mm (1" x 2 1/2")	46186	SL46186
1	Rectal Blade 13mm x 117mm (1/2" x 4 3/5")	46187	SL46187
1	St. Mark's w/o Lip 64mm x 178mm (2 1/2" x 7")	46187A	SO46187A
(D) 1	St. Mark's 64mm x 178mm (2 1/2" x 7")	46188	SO46188
1	St. Mark's 64mm x 140mm (2 1/2" x 5 1/2")	46189	SO46189

Requires a Quick Frame; S-Lock requires an S-Lock Frame, see page 4.

ONCOLOGY RETRACTOR SYSTEM

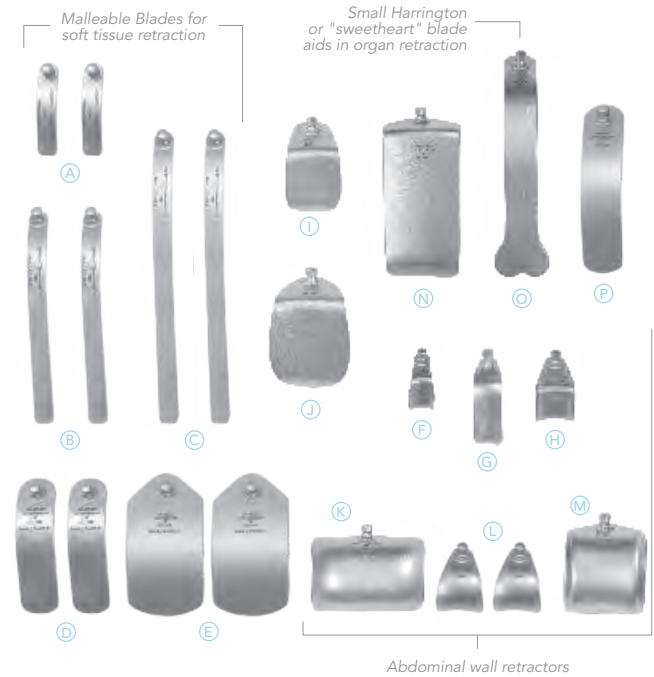


QTY	ITEM DESCRIPTION	INTERCH. PART #	S-LOCK PART #
Oncology Retractor System		80034ADJ	SL80034ADJ
(A) 2	Adjustable Height Rail Clamp with 2 Adjustable Cam Joints*	41903ARC	41903ARC
(B) 2	Crossbar with 2 Cam Joints 24" (8" x 16")	41900BCW	41900BCW
(C) 1	Angled Arm 18" (8" x 10")	44118N	44118N
(D) 2	Angled Arm 24" (8" x 16")	44124N	44124N
(E) 4	Cam II slide-on Joint 1/2" x 1/2"	42110S	SL42110S
(F) 5	Cam II Clip-on Angling 8"	42126WA	SL42126WA
(G) 2	Micro-Adjustable II Clip-on Angling 10"	45006CA	SL45006CA
(H) 1	Angling Head Wrench	43032	43032
(I) 1	Malleable 25mm x 203mm (1" x 8")	46118	SL46118
(J) 1	Malleable 51mm x 203mm (2" x 8")	46122	SL46122
(K) 1	Malleable 64mm x 254mm (2 1/2" x 10")	46124	SL46124
(L) 1	Malleable 76mm x 254mm (3" x 10")	46124A	SO46124A
(M) 1	Richardson 19mm x 25mm (3/4" x 1")	46125	SL46125
(N) 2	Kelly 64mm x 76mm (2 1/2" x 3")	46129	SO46129
(O) 2	Kelly 76mm x 89mm (3" x 3 1/2")	46130	SO46130
(P) 2	Balfour 70mm x 76mm (2 3/4" x 3") [without lips]	46140C	SL46140C
(Q) 2	Balfour 83mm x 76mm (3 1/4" x 3") [without lips]	46141C	SL46141C
(R) 2	Richardson 51mm x 127mm (2" x 5")	46151	SO46151
(S) 1	Harrington 64mm x 152mm (2 1/2" x 6")	46160	SL46160
(T) 1	Deaver 51mm x 127mm (2" x 5")	46174	SL46174
(U) 1	St. Mark's 64mm x 178mm (2 1/2" x 7")	46188	SO46188
(V) 1	Weinberg 3 1/4" x 5 1/4"	46321	SO46321
2	Instrument Case 22" x 11" x 3 1/2"	50000G	50000G

*41903AC Elite II Rail Clamp can be used in place of 41903ARC Adjustable Height Rail Clamp.

PEDIATRIC BLADE KIT

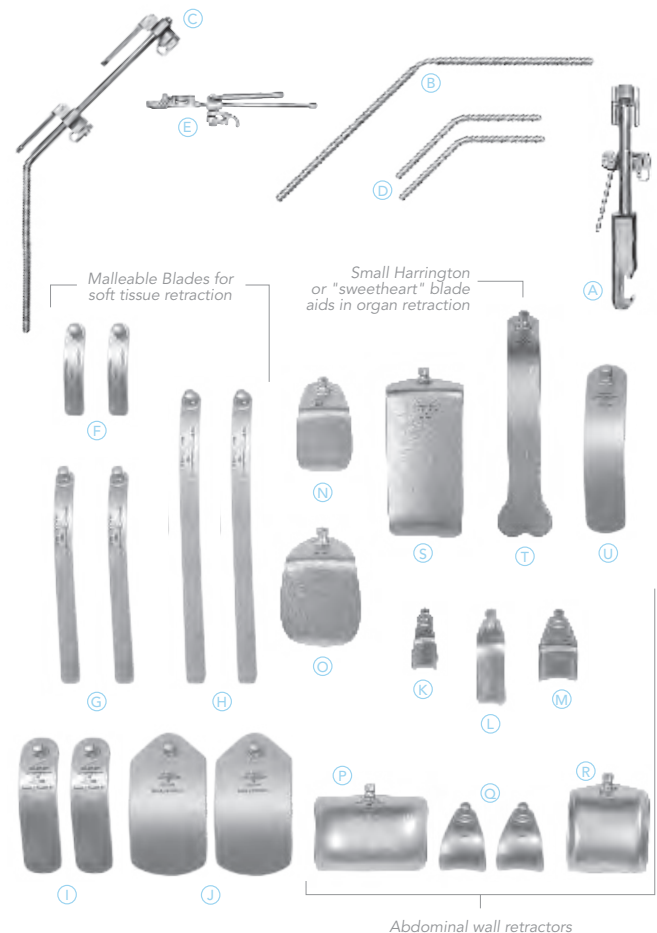
QTY	ITEM DESCRIPTION	INTERCH. PART #	S-LOCK PART #
	Pediatric Blade Kit	91009L	SL91009L
(A) 2	Malleable 13mm x 64mm (1/2" x 2 1/2")	46115	SL46115
(B) 2	Malleable 13mm x 152mm (1/2" x 6")	46116	SL46116
(C) 2	Malleable 13mm x 203mm (1/2" x 8")	46117	SL46117
(D) 2	Malleable 25mm x 102mm (1" x 4")	46118P	SL46118P
(E) 2	Malleable Pediatric 51mm x 102mm (2" x 4")	46122P	SL46122P
(F) 1	Richardson 19mm x 25mm (3/4" x 1")	46125	SL46125
(G) 1	Richardson 19mm x 50mm (3/4" x 2")	46125A	SL46125A
(H) 1	Richardson 25mm x 32mm (1" x 1 1/4")	46126	SL46126
(I) 1	Kelly 38mm x 51mm (1 1/2" x 2")	46127	SL46127
(J) 1	Kelly 51mm x 64mm (2" x 2 1/2")	46128	SL46128
(K) 1	Balfour 76mm x 51mm (3" x 2")	46140P	SL46140P
(L) 2	Balfour 32mm x 32mm (1 1/4" x 1 1/4")	46142	SL46142
(M) 1	Balfour 51mm x 51mm (2" x 2")	46142P	SL46142P
(N) 1	Richardson 51mm x 102mm (2" x 4")	46150	SL46150
(O) 1	Harrington 38mm x 127mm (1 1/2" x 5")	46162P	SL46162P
(P) 1	Deaver 25mm x 127mm (1" x 5")	46170	SL46170



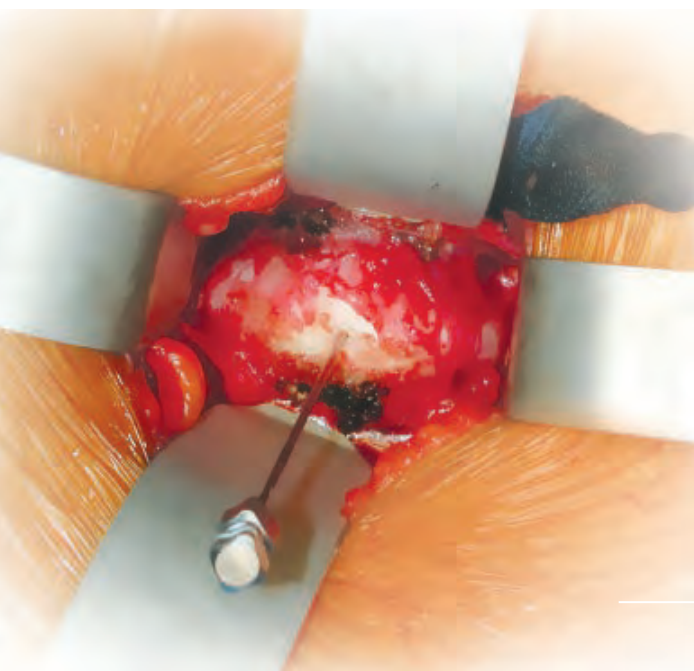
Requires a Quick Frame, see page 4.
S-Lock requires an S-Lock Frame, see page 4.

PEDIATRIC ABDOMINAL SYSTEM

QTY	ITEM DESCRIPTION	INTERCH. PART #	S-LOCK PART #
	Pediatric Abdominal System	91034AP	SL91034AP
(A) 1	Elite II Rail Clamp with 1 Cam Joint 11"	41902ACS	41902ACS
(B) 1	24" Angled Arm (11" x 13")	44124W	44124W
(C) 1	Crossbar with 2 Cam Joints 24"	41900BC	41900BC
(D) 2	Angled Arm 12" (6" x 6")	44014S	44014S
(E) 5	Cam II Clip-on with Angling Head 8"	42126WA	SL42126WA
(F) 2	Malleable 13mm x 64mm (1/2" x 2 1/2")	46115	SL46115
(G) 2	Malleable 13mm x 152mm (1/2" x 6")	46116	SL46116
(H) 2	Malleable 13mm x 203mm (1/2" x 8")	46117	SL46117
(I) 2	Malleable 25mm x 102mm (1" x 4")	46118P	SL46118P
(J) 2	Malleable Pediatric 51mm x 102mm (2" x 4")	46122P	SL46122P
(K) 1	Richardson 19mm x 25mm (3/4" x 1")	46125	SL46125
(L) 1	Richardson 19mm x 50mm (3/4" x 2")	46125A	SL46125A
(M) 1	Richardson 25mm x 32mm (1" x 1 1/4")	46126	SL46126
(N) 1	Kelly 38mm x 51mm (1 1/2" x 2")	46127	SL46127
(O) 1	Kelly 51mm x 64mm (2" x 2 1/2")	46128	SL46128
(P) 1	Balfour 76mm x 51mm (3" x 2")	46140P	SL46140P
(Q) 2	Balfour 32mm x 32mm (1 1/4" x 1 1/4")	46142	SL46142
(R) 1	Balfour 51mm x 51mm (2" x 2")	46142P	SL46142P
(S) 1	Richardson 51mm x 102mm (2" x 4")	46150	SL46150
(T) 1	Harrington 38mm x 127mm (1 1/2" x 5")	46162P	SL46162P
(U) 1	Deaver 25mm x 127mm (1" x 5")	46170	SL46170
1	Angling Head Wrench	43032	43032
2	Instrument Case with Pin Mat (22" x 11" x 3 1/2")	50000G	50000G



System includes a modified Quick Frame with smaller components.



Uncompromised Anterior Lumbar Exposure

The anterior approach to the lumbar spine is heavily dependent on the ability of the access surgeon to provide exposure quickly and safely. Additionally, exposure of the anterior lumbar spine and safe retraction of the abdominal and vascular structures are crucial for successful lumbar fusions and decompressions. The Thompson Retractor provides safe and effortless Uncompromised Anterior Lumbar Exposure.

Radiolucent Reverse Lip Anterior Lumbar Blades offer phenomenal exposure of the anterior lumbar spine.

Exclusive Features

Thompson Retractor's Radiolucent Anterior Lumbar Blade Kits provide Uncompromised Exposure of the anterior lumbar spine. The radiolucent anterior lumbar blades are reusable and are recommended for use with the Quick Frame (90011B) to allow blades to be individually positioned providing independent, safe retraction of abdominal and vascular structures.



RADIOLUCENT TITANIUM

All anterior lumbar spine blades are made from titanium which resists corrosion and wears better than aluminum. Titanium provides excellent radiolucency strength and yet remains lightweight.

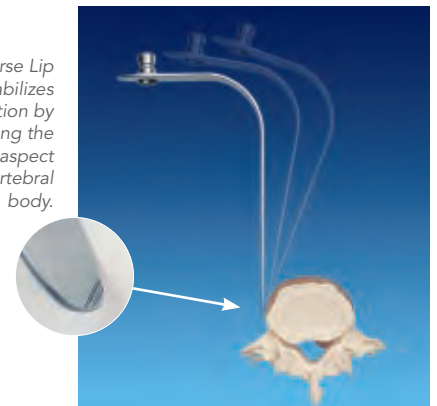


INTERCHANGEABLE BLADES

Interchangeable blades swivel 180° and stay in place with retraction pressure, thereby aligning the blade atraumatically on the tissue.

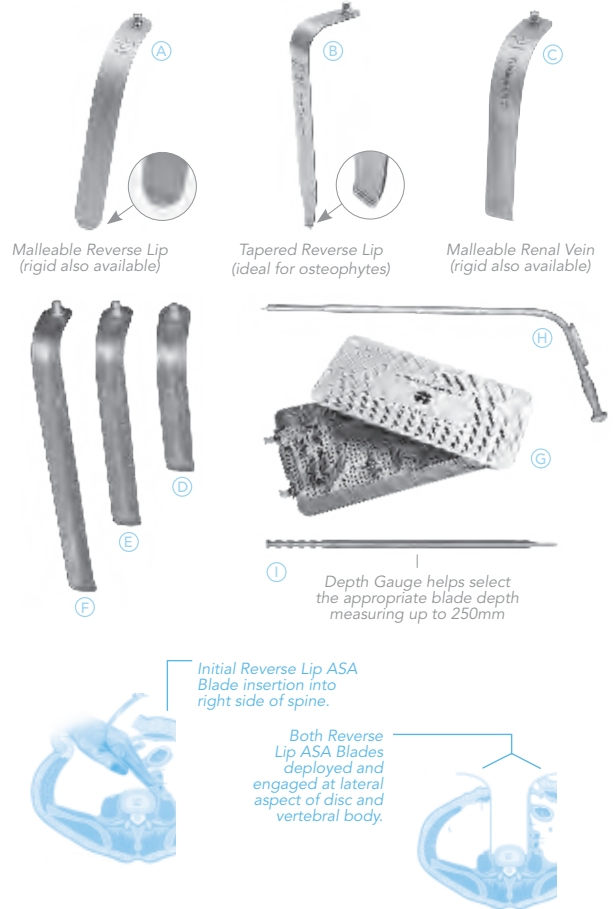
"These blades really help in minimizing size of incision on patient."

Reverse Lip stabilizes retraction by engaging the lateral aspect of the vertebral body.



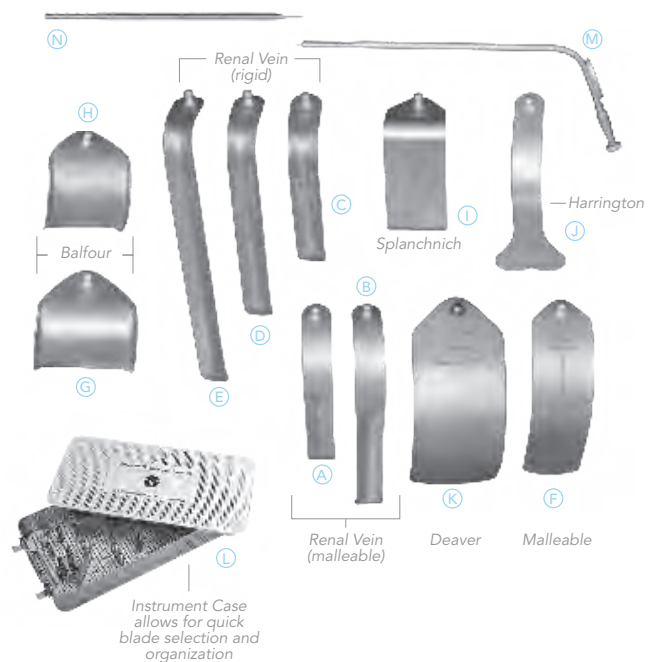
**RADIOLUCENT BRAU
ANTERIOR LUMBAR BLADE KIT**

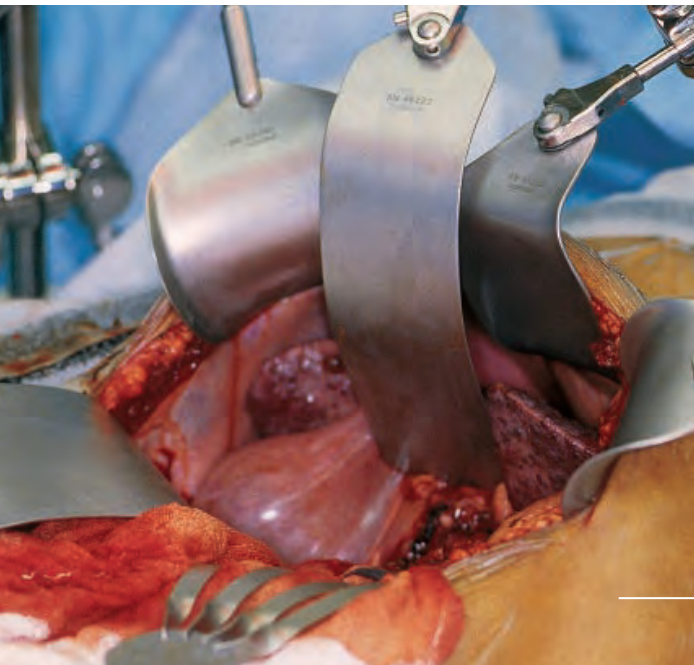
QTY	ITEM DESCRIPTION	INTERCH. PART #	S-LOCK PART #
	Brau Anterior Lumbar Blade Kit	91046N	SL91046
2	Reverse Lip ASA Malleable 25mm x 200mm	46192ET	SL46192ET
2	Reverse Lip ASA Malleable 32mm x 200mm	46193ET	SL46193ET
2	Reverse Lip ASA Rigid 25mm x 100mm	46194RET	SL46194RET
2	Reverse Lip ASA Rigid 25mm x 150mm	46195RET	SL46195RET </td
2	Reverse Lip ASA Rigid 25mm x 200mm	46196RET	SL46196RET
2	Reverse Lip ASA Rigid 32mm x 100mm	46197RET	SL46197RET
2	Reverse Lip ASA Rigid 32mm x 150mm	46198RET	SL46198RET
2	Reverse Lip ASA Rigid 32mm x 200mm	46199RET	SL46199RET
2	Reverse Lip ASA Rigid 25mm x 255mm	46200RET	SL46200RET
2	Reverse Lip ASA Rigid 32mm x 255mm	46201RET	SL46201RET
2	Reverse Lip ASA Tapered 25mm x 150mm	46195TET	SL46195TET
2	Reverse Lip ASA Tapered 25mm x 200mm	46196TET	SL46196TET
2	Radiolucent Malleable Renal Vein 25mm x 140mm	46119BET	SL46119BET
2	Radiolucent Malleable Renal Vein 25mm x 190mm	46119CET	SL46119CET
2	Radiolucent Rigid Renal Vein 25mm x 140mm	46119RET	SL46119RET
2	Radiolucent Rigid Renal Vein 25mm x 190mm	46120RET	SL46120RET
2	Radiolucent Rigid Renal Vein 25mm x 255mm	46121RET	SL46121RET
1	Instrument Case	50000RLT	50000RLT
1	Suction for Anterior Lumbar Surgery (SALS)	51234	51234
1	AL Depth Gauge	51236	51236



QTY	ITEM DESCRIPTION	INTERCH. PART #	S-LOCK PART #
	Radiolucent Anterior Lumbar Blade Kit	91035NT	SL91035
2	Radiolucent Malleable Renal Vein 25mm x 140mm	46119BET	SL46119BET
2	Radiolucent Malleable Renal Vein 25mm x 190mm	46119CET	SL46119CET
2	Radiolucent Rigid Renal Vein 25mm x 140mm	46119RET	SL46119RET
2	Radiolucent Rigid Renal Vein 25mm x 190mm	46120RET	SL46120RET
2	Radiolucent Rigid Renal Vein 25mm x 255mm	46121RET	SL46121RET
2	Radiolucent Malleable 51mm x 200mm	46122ET	SL46122ET
2	Radiolucent Balfour 65mm x 70mm	46140ET	SO46140ET
1	Radiolucent Balfour 83mm x 70mm	46141ET	SO46141ET
1	Radiolucent Splanchnich 51mm x 115mm	46145ET	SL46145ET
1	Radiolucent Harrington 64mm x 152mm	46160ET	SL46160ET
1	Radiolucent Deaver 76mm x 125mm	46176ET	SO46176ET
1	Instrument Case	50000ALT	50000ALT
1	Suction for Anterior Lumbar Surgery (SALS)	51234	51234
1	AL Depth Gauge	51236	51236

RADIOLUCENT ANTERIOR LUMBAR BLADE KIT





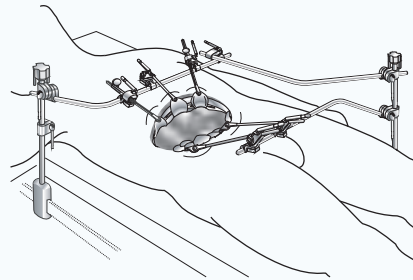
Uncompromised Exposure for Liver Transplant/Resection

Utilizing a bilateral retractor frame set up, the Thompson Retractor provides surgeons with the ability to obtain stable, versatile retraction for liver transplants, liver resections, oncology, and obesity cases. Combined with Thompson Retractor's expansive blade selection designed specifically for each operation, the bilateral set up offers multi-planed retraction and unlimited flexibility for the most complex abdominal and pelvic cases.

The Thompson Retractor provides ideal exposure for liver transplant and liver resection operations. See page 15 for the Liver Transplant/Resection System.

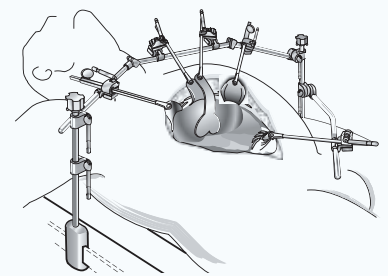
Exclusive Features

Liver Transplant / Resection and Obesity surgery will benefit from the exclusive features offered by the Thompson Retractor including stable bilateral table mounts, patented hinged crossbars, micro-adjustable handles, and specialty blade styles and sizes. See page 4 for more information on the Bilateral Frame.



VERSATILE SET UPS

Bilateral retractor frames offer infinite set ups to suit varying exposures and surgeon preferences. Staggering the rail clamps and using angled arms, as shown, is an alternate set up option for abdominal surgery. Bilateral frames may be converted into a unilateral Quick Frame. All frame components are interchangeable.

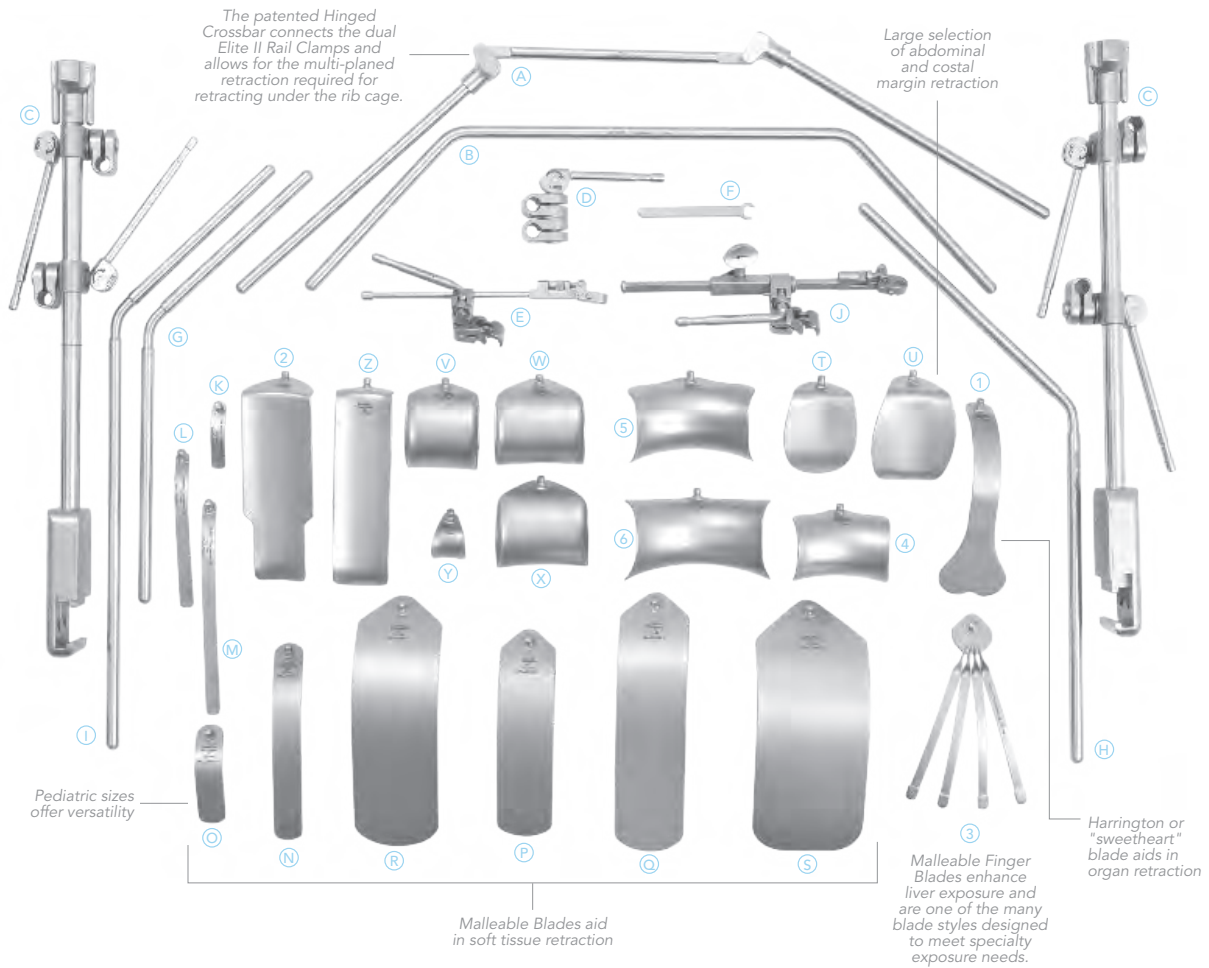


OBESITY & PEDIATRIC OPTIONS

Bariatric and pediatric patients are easily accommodated with a variety of large and small blade sizes found in the liver, obesity, and general sets. All blade styles are available in custom sizes by request. See page 9 for the Obesity Blade Kit and page 16 for Micro-Adjustable Bariatric Handles.

Thompson Retractor offers several bilateral systems and blade kits, ideal for bilateral frame set ups.

- Liver Transplant / Resection System (91034A) *includes frame*
- Obesity Blade Kit (91012L) *requires frame*
- General / Vascular Blade Kit (91003L) *requires frame*



LIVER TRANSPLANT / RESECTION SYSTEM

QTY	ITEM DESCRIPTION	INTERCH. PART #	S-LOCK PART #		
Liver Transplant / Resection System		91034A	SL91034A		
(A) 1	Bilateral Crossbar Hinged (11" x 8 1/2" x 11")	41900H	41900H	(R) 1	Malleable 76mm x 254mm (3" x 10")
(B) 1	Bilateral Crossbar	41900F	41900F	(S) 1	Malleable 102mm x 254mm (4" x 10")
(C) 2	Elite II Rail Clamp with 2 Cam Joints 18"	41903AC	41903AC	(T) 1	Kelly 64mm x 76mm (2 1/2" x 3")
(D) 2	Cam I Joint Serrated (1/2" x 1/2")	42112C	42112C	(U) 2	Kelly 89mm x 76mm (3 1/2" x 3")
(E) 8	Cam II Clip-on with Angling Head	42126WA	SL42126WA	(V) 1	Balfour 70mm x 76mm (2 3/4" x 3") w/o Lips
(F) 1	Angling Head Wrench	43032	43032	(W) 2	Balfour 83mm x 76mm (3 1/4" x 3")
(G) 1	18" Angled Arm (8" x 10" @ 45°)	44118N	44118N	(X) 2	Balfour 83mm x 76mm (3 1/4" x 3") w/o Lips
(H) 2	24" Angled Arm	44124W	44124W	(Y) 4	Balfour 30mm x 30mm (1 1/5" x 1 1/5")
(I) 1	24" Angled Arm (8" x 16")	44124N	44124N	(Z) 1	Richardson 57mm x 178mm (2" x 7")
(J) 2	Micro-Adjustable II Clip-on Angling 10"	45006CA	SL45006CA	(1) 1	Harrington 64mm x 152mm (2 1/2" x 6")
(K) 2	Malleable 13mm x 64mm (1/2" x 2 1/2")	46115	SL46115	(2) 1	St. Mark's 64mm x 178mm (2 1/2" x 7")
(L) 2	Malleable 13mm x 152mm (1/2" x 6")	46116	SL46116	(3) 2	Malleable Finger 6"
(M) 2	Malleable 13mm x 203mm (1/2" x 8")	46117	SL46117	(4) 1	Balfour 83mm x 57mm (3 1/4" x 2 1/4")
(N) 1	Malleable 25mm x 203mm (1" x 8")	46118	SL46118	(5) 1	Balfour 102mm x 57mm (4" x 2 1/4")
(O) 1	Malleable 25mm x 102mm (1" x 4")	46118P	SL46118P	(6) 1	Balfour 114mm x 57mm (4 1/2" x 2 1/4")
(P) 1	Malleable 51mm x 203mm (2" x 8")	46122	SL46122	2	Instrument Case with Pin Mat (22" x 11" x 3 1/2")
(Q) 2	Malleable 64mm x 254mm (2 1/2" x 10")	46124	SL46124	1	Instrument Case (26" x 10" x 5")
				46124A	SO46124A
				46124B	SO46124B
				46129	SO46129
				46130	SO46130
				46140C	SO46140C
				46141	SO46141
				46141C	SO46141C
				46142	SL46142
				46153	SO46153
				46160	SL46160
				46188	SO46188
				46191	SL46191
				46241A	SO46241A
				46241B	SO46241B
				46241C	SO46241C
				50000G	50000G
				50000BL	50000BL

System includes Bilateral Frame or S-LOCK Bilateral Frame, see page 4.
 Note: Pediatric Abdominal System is on page 11.

Retractor Handles



CAM II CLIP-ON ANGLING 8" HANDLES

S-Lock Angling	SL42126WA
Angling	42126WA



CAM II CLIP-ON NON-ANGLING 8" HANDLES

S-Lock (non-angling)	SL42126WH
(non-angling)	42126WH

ANGLING HEAD WRENCH

Wrench	43032
--------	-------



Angling



Slide-on

MICRO-ADJUSTABLE ANGLING HANDLES

Clip-on Angling 10"	45006CA
Clip-on Angling 7 3/4"	45007CA
S-Lock Clip-on Angling 10"	SL45006CA
S-Lock Clip-on Angling 7 3/4"	SL45007CA
S-Lock Clip-on Angling 8"	SL45010A



Non-Angling

MICRO-ADJUSTABLE NON-ANGLING HANDLES

Clip-on (non-angling) 10 3/4"	45006STC
S-Lock Clip-on (non-angling) 10 3/4"	SL45006STC
Clip-on 8 3/4" (non-angling)	45007STC
Clip-on 10 3/4" Bariatric (non-angling)	45006BTC
Clip-on 8 3/4" Bariatric (non-angling)	45007BTC

Angling Handles

- Precise blade positioning and Uncompromised Exposure
- Low-profile reduces snagged sutures and sleeves
- Superior strength, spring loaded clip-on, joint will not fall off frame



S-Lock

SLIDE-ON JOINT AND 8" HANDLES



Slide-on Joint

Screw down, Slide-on Joint provides extra controlled blade placement.

Slide-on Joint 1/2" x 1/4"	42125N
S-Lock Angling Handle	SL45003AS
S-Lock Handle	SL45003L
Angling Handle	45003AS
Non-Angling Handle	45003L

Adapter Handles

Our competitive adapter handles enable you to adapt any Thompson Interchangeable Blade to a Bookwalter, Omni, and Synthes Retractor.



BOOKWALTER ADAPTER HANDLES

Adapts any Thompson Interchangeable Blade to the Bookwalter Retractor.

S-Lock Angling	SL45005AL
Angling	45005AL
Non-Angling	45005L



OMNI ADAPTER HANDLES

Adapts any Thompson Interchangeable Blade to the Omni Retractor.

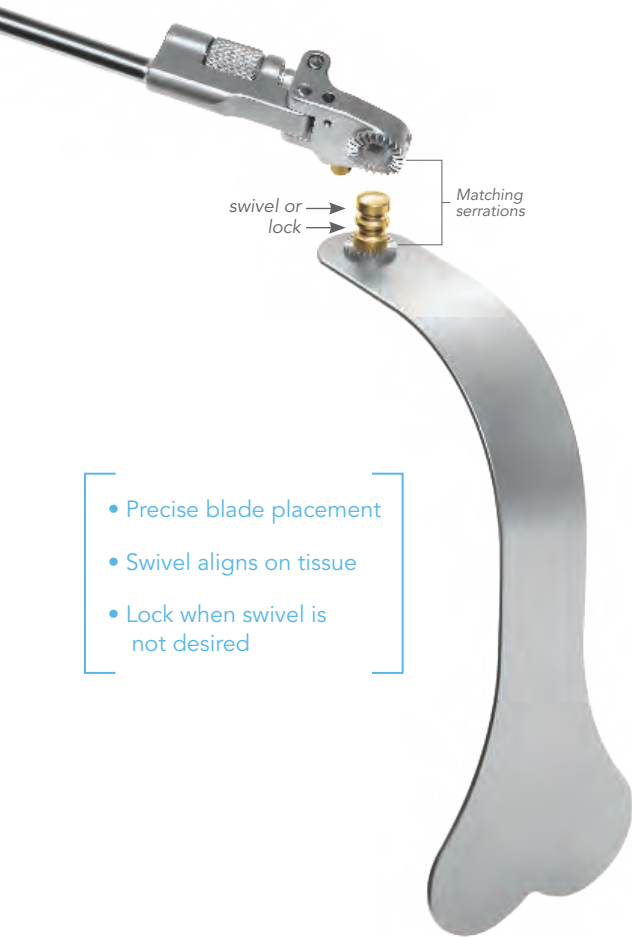
S-Lock Angling	SL45004AL
Angling	45004AL
Non-Angling	45004L



SYNTES ADAPTER HANDLES

Adapts any Thompson Interchangeable Blade to your Synthes SynFrame or ProAccess Retractor System.

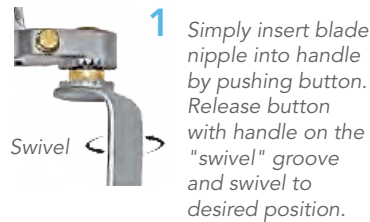
S-Lock Angling	SL45014AL
Angling	45014AL
Non-Angling	45014L



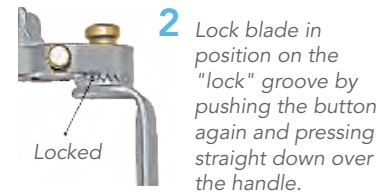
Upgrade to Uncompromised Exposure with S-Lock™

New S-Lock Retractor Handles and Blades for general / vascular and spine surgery allow for precise retractor positioning without unwanted movement or rotation to ensure stable retraction in any plane. The swivel locking feature is simple and easy to use creating a safer operation with reduced time spent repositioning blades.

- Precise blade placement
- Swivel aligns on tissue
- Lock when swivel is not desired



1 Simply insert blade nipple into handle by pushing button. Release button with handle on the "swivel" groove and swivel to desired position.



2 Lock blade in position on the "lock" groove by pushing the button again and pressing straight down over the handle.

S-Lock Handles & Blades



S-LOCK HANDLES

Upgrade your Thompson Retractor frame with S-Lock Handles. S-Lock Handles provide the same benefits that Thompson's standard interchangeable handles do but have a lower profile body and contain S-Lock technology.



S-LOCK BLADES

Upgrade blades to S-Lock and combine with S-Lock Handles to eliminate unwanted blade movement. S-Lock technology is most beneficial on small or pediatric blades, or any blade that requires precise placement.

LOOK FOR THE " " SYMBOL ON ALL HANDLES

S-Lock handles have serrated faces that match up with serrations on S-Lock blades.

For the latest S-Lock Technology brochure on all S-Lock products call Thompson at 1.800.227.7543.



REUSABLE

Easily attaches to a retractor blade with a removable Lite Clip.



Lite Wand Xe

Lite Clip

Retractor Lite Xe easily clips on to any Thompson Retractor blade.

Replace Your Headlight with the Lite Wand Xe or Retractor Lite Xe

The Lite Wand Xe and Retractor Lite Xe increase exposure by adding illumination and eliminating headlamps and shadows. Low-profile, the Lite Wand Xe and Retractor Lite easily clip on and direct cool, bright light into the incision. Additionally, the bendable gooseneck allows the light to reach the deepest, hard to see cavities improving illumination where it is needed most.

RETRACTOR LITE XE KITS

Retractor Lite Xe with ACMI Cable	40001RX
Retractor Lite Xe with Storz Cable	40002RX
Retractor Lite Xe with Wolf Cable	40004RX
Retractor Lite Xe with Olympus Cable	40019RX

LITE WAND XE KITS

Lite Wand Xe with ACMI Cable	40001X
Lite Wand Xe with Storz Cable	40002X
Lite Wand Xe with Wolf Cable	40004X
Lite Wand Xe with Olympus Cable	40019X

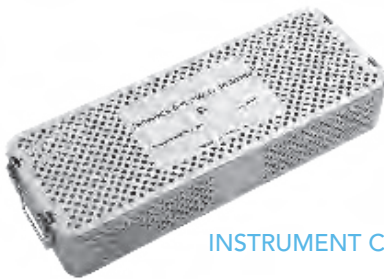
ACCESSORIES

Lite Clip (included in Retractor Lite Xe and Lite Wand Xe Kits)	40026
---	-------

Instrument Case included in kits and clip

Instrument Cases

Use an instrument case to keep blades organized. Available in two sizes.



INSTRUMENT CASES

26" x 10" x 5"	50000BL
22" x 11" x 3.5"	50000G

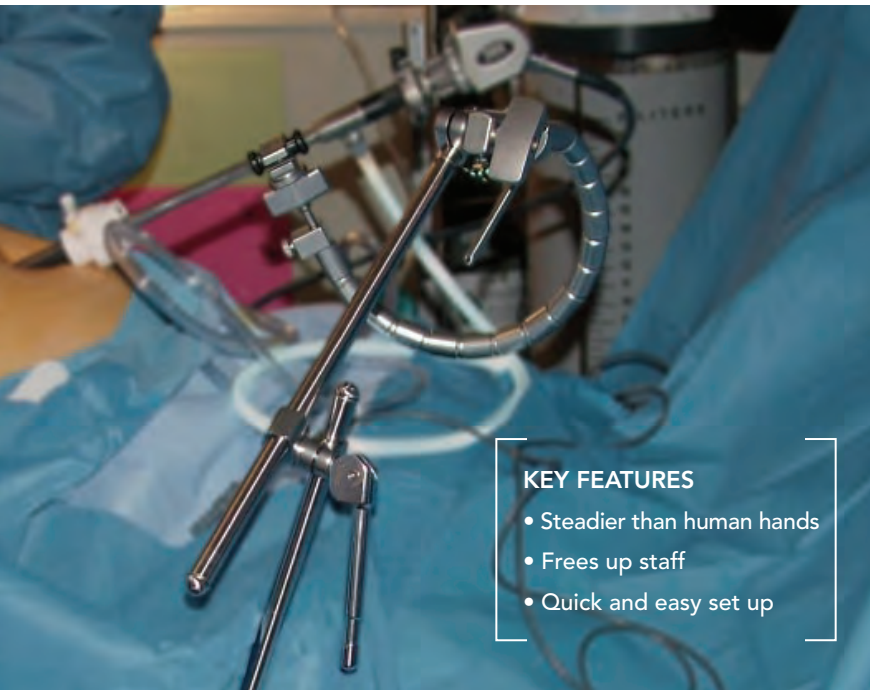
Extend Your Rail

Apply a Rail Extender to the OR table to increase rail length or width and provide more attachment options for the rail clamps.



RAIL EXTENDERS

Rail Extender 14" long with 2 1/4" offset (helpful in obese cases)	41917
Rail Extender 22"	41929



KEY FEATURES

- Steadier than human hands
- Frees up staff
- Quick and easy set up

Laparoscopic Surgery

Utilize the Flexible Scope Holder with the Scope Grip to manipulate the laparoscope by hand, then, tighten the flexible arm to hold and freeze the laparoscope in a precise position, hands free.

The Rigid Instrument Holder may be used simultaneously with the Flexible Scope Holder, or independently, to hold narrow instruments and scopes in precise, rigid positions. Ideal for instruments or scopes that require few adjustments or hold excess weight.

Both holders are table mounted using the Power Rail Clamp. Alternate styles can be mounted to existing Elite II Rail Clamps.

Elite Set-up

The Laparoscopic Instrument Holder and Flexible Scope Holder can be used simultaneously with an Elite II Rail Clamp with two joints.



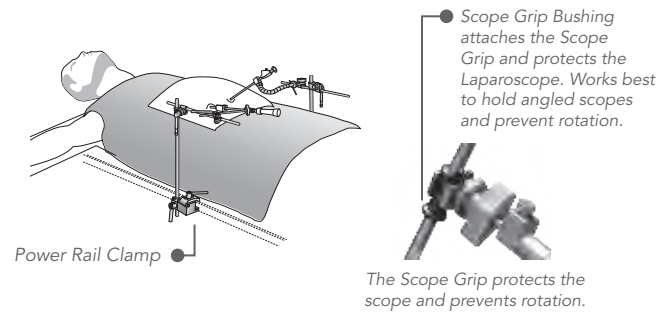
Elite II Clamp with 1 Joint 18" 41902AC
Laparoscopic Instrument Holder for Elite 42139E



Elite II Clamp with 1 Joint 18" 41902AC
Flexible Scope Holder for Elite 42133CE



Elite II Clamp with 2 Joint 18" 41903AC
Flexible Scope Holder for Elite 42133CE
Laparoscopic Instrument Holder for Elite 42139E



LAPAROSCOPIC SYSTEM

QTY	ITEM DESCRIPTION	INTERCH. PART #
	Laparoscopic System	80030*
1	Laparoscopic Instrument Holder	42129N
1	Flexible Scope Holder	42133C
2	Scope Grip	33154
1	Scope Grip Bushing 5mm	42136F
1	Scope Grip Bushing 10mm	42136T
2	Power Rail Clamp	41950
1	Instrument Case	50000G

*System includes set-up for both the Instrument Holder & Scope Holder

ALTERNATE COMPONENTS



DUO HEAD
3/5/10mm 42160N



NATHANSON HOOKS

Small 5mm	42200
Medium 5mm	42201
Large 5mm	42202
Small 6.5mm	42203
Medium 6.5mm	42204
Large 6.5mm	42205



SCOPE CLIP
5mm 42137F
7mm 42137S
10mm 42137T
11mm 42137E

Provides quick in and out panning for flat scopes



10170 East Cherry Bend Road
Traverse City, Michigan 49684
phone: 231.922.0177
fax: 231.922.0174

thompsonsurgical.com



**For a FREE TRIAL
call 1.800.227.7543**

Free trial valid for U.S. customers only.
International customers please call for more information.