



GENUINE PARTS

SATELLITE RADIO INSTALLATION INSTRUCTIONS

1. DESCRIPTION:	Satellite Radio System	
2. APPLICATION:	Quest (2007)	
3. PART NUMBERS:	XM Tuner Kit	999U9-AS005
	SIRIUS Tuner Kit	999U9-AS006
	XM Under Glass Antenna Kit	999U9-VS002
	SIRIUS Under Glass Antenna Kit	999U9-VS003
	Tuner Brackets	999U9-NS000
	N-BUS Sub-Harness	999U9-NQ000
	* SAT harness for iPod systems	999U7-ET001

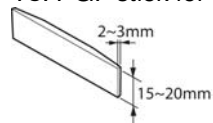
*** NOTE:** Only necessary for vehicles with iPod Gateway Module installed. Refer to the vehicle specific iPod Installation Instructions on ASIST.NET for further information.

4. TUNER KIT CONTENTS (999U9-AS005 or 999U9-AS006):

Item	Qty	Description	Parts View
1	1	Tuner	
2	2	Black Tape	
3	1	Velcro Tape (hook)	
4	1	Velcro Tape (loop)	
5	1	Spacer	
6	4	M5 Screw	
7	14	Sponge Tape	
8	1	Edge Protector	
9	6	Clear Tape	
10	1	Corrugated Tube	
11	6	Cable Tie	
12	2	Butyl Gum	
13	4	Cable Clamp	

5. TOOLS REQUIRED:

- | | | |
|------------------------------------|---|---|
| 1. Philips screw driver (#2 short) | 8. Adhesive tape | 12. Plastic Pry Bar (P/N J-46534 or equivalent) |
| 2. Small flat blade screwdriver | 9. Masking tape | 13. PGF stick for antenna cable routing |
| 3. Tape measure | 10. 1/4 in. driver w/ 7 & 10mm normal sockets | |
| 4. Clip remover | 11. 3 in., and 6 in. socket extensions | |
| 5. Soapy water | | |
| 6. 50/50-alcohol/water solution | | |
| 7. Electrical tape | | |



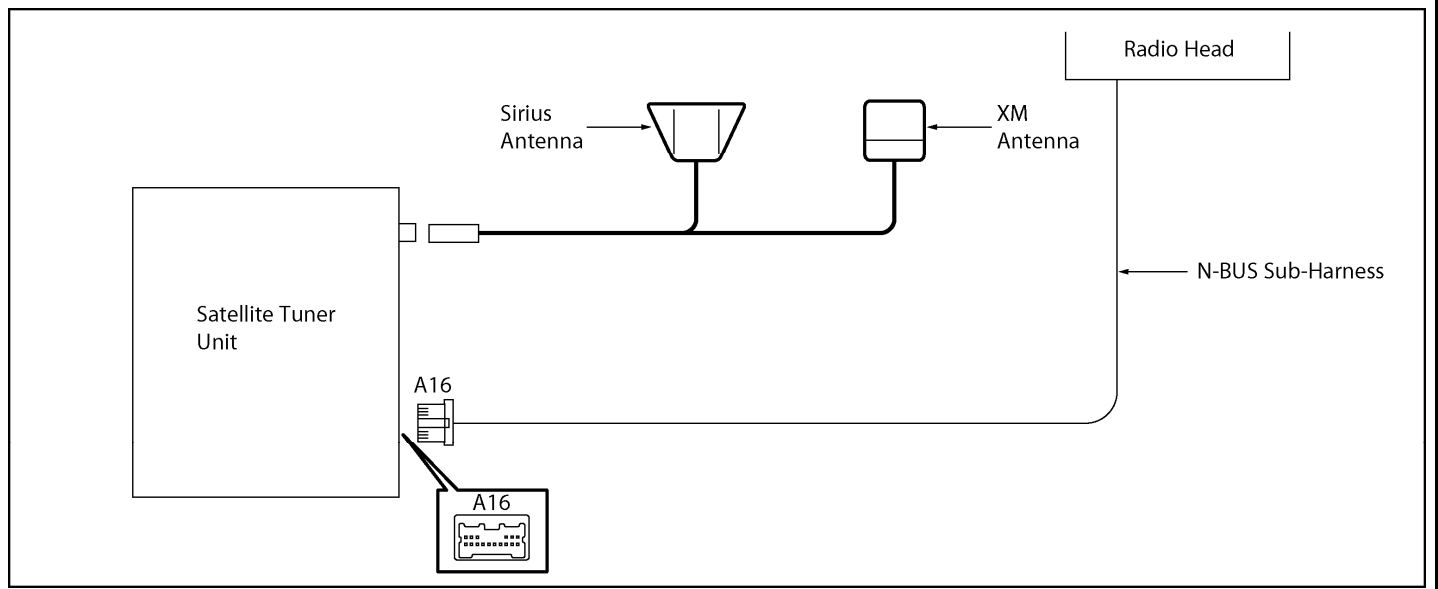
SATELLITE RADIO INSTALLATION INSTRUCTIONS

6. INSTALLATION PRECAUTIONS / NOTES:

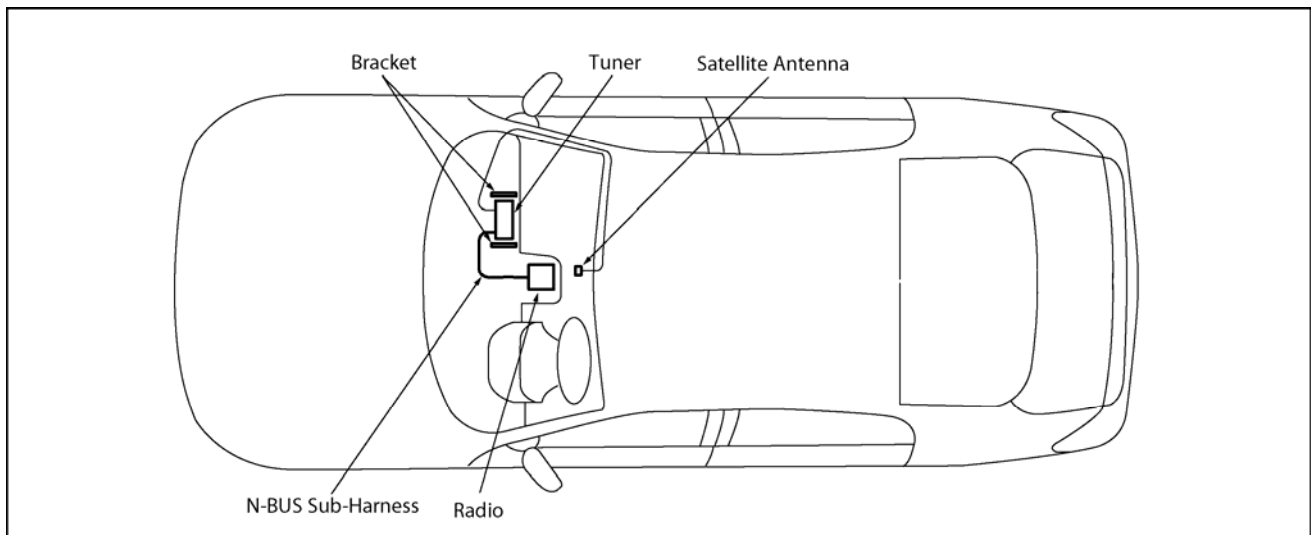
CAUTION

- This can be a difficult and time-consuming installation that may require the skill of the master technician who is familiar with electronics installation. Contact your regional DTS for additional information on installation support.
- Tuner unit, and antenna must all be the same brand, XM or SIRIUS.
- This is a universal installation kit so all parts may not be used.
- Re-installation of the satellite radio antenna should be performed by an authorized dealer only.
- In the case of ambient temperatures below 20°C (68°F), it is required to warm the tape and mounting surface with a heater to minimum of 20°C (68°F).
- In the event the satellite radio antenna needs to be replaced, order the appropriate Satellite Antenna Kit and the Satellite Radio base install kit (999U9-AS002-S1).

7. STANDARD CONNECTION METHOD:



8. INSTALLATION OUTLINE:



SATELLITE RADIO INSTALLATION INSTRUCTIONS

9. VEHICLE PREPARATION:

1) Record the customer radio presets.

	1	2	3	4	5	6	7
AM							
AM2							
FM1							
FM2							
FM3							

ESN number (located on tuner box)

- 2) Apply the parking brake.
- 3) Make sure the shift lever is engaged in the P position.
- 4) Open the engine hood.
- 5) Disconnect the battery negative terminal to prevent short circuits during installation.
- 6) Remove the following interior trim parts as shown (Figure 1). Refer to the vehicle service manual.
 - Shift knob
 - Cluster lid C
 - Instrument lower panel RH
 - Glove box housing (detach illumination light)

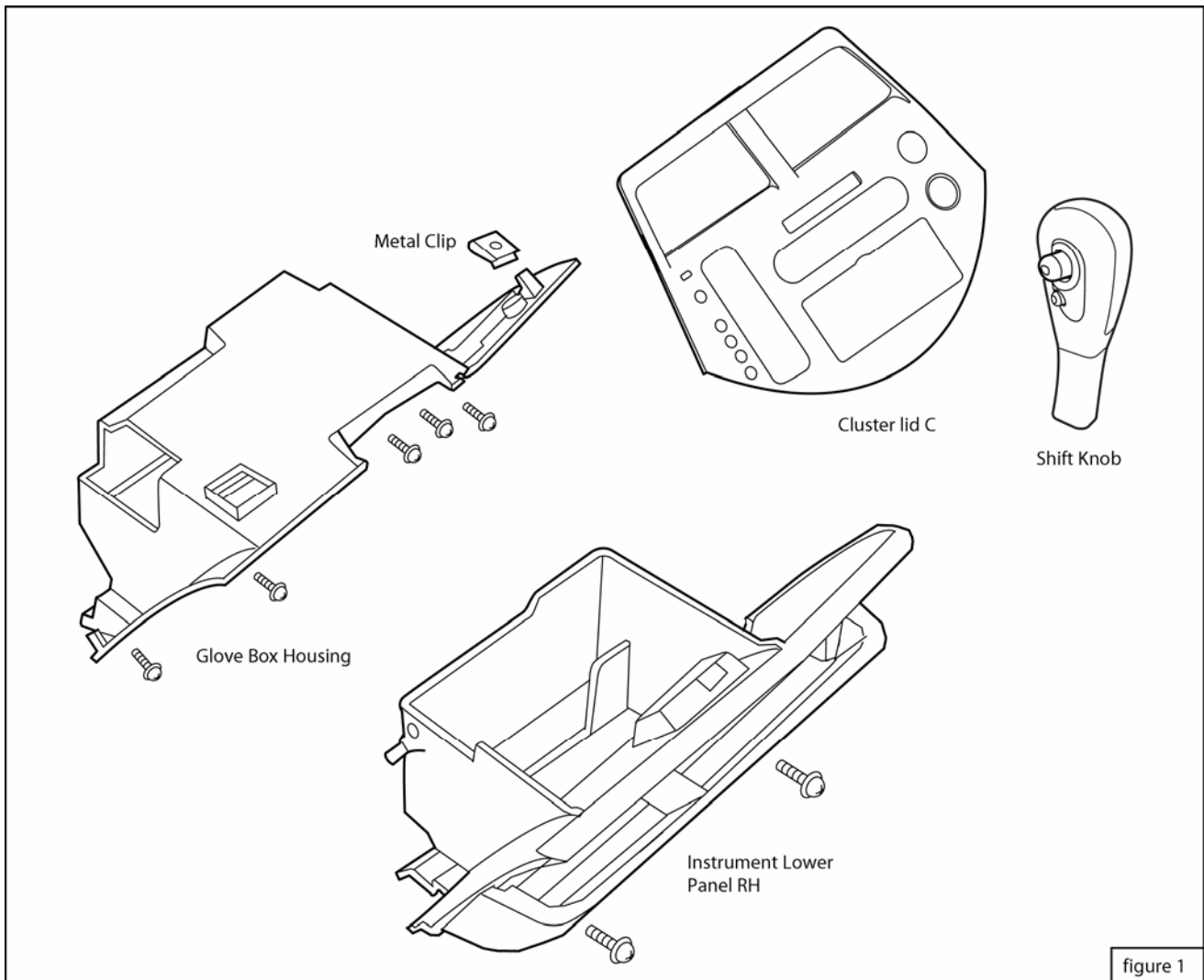
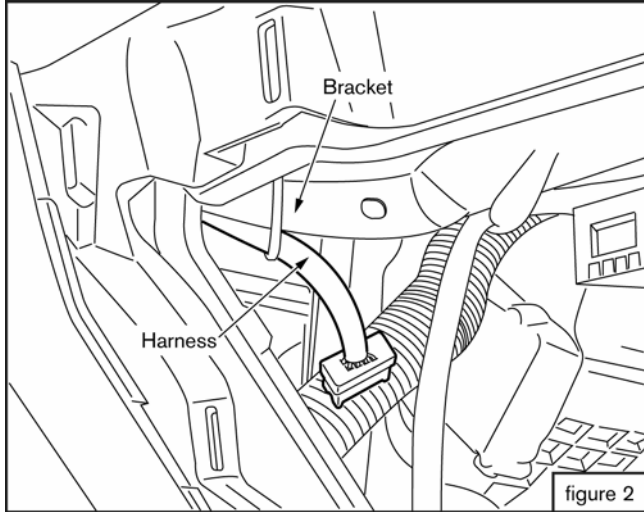


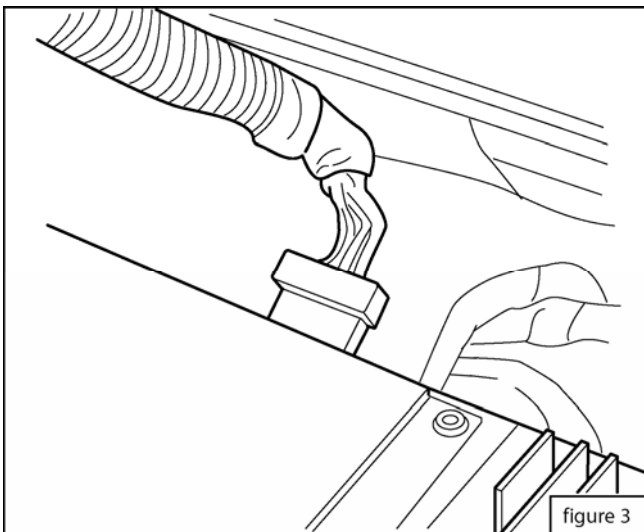
figure 1

SATELLITE RADIO INSTALLATION INSTRUCTIONS

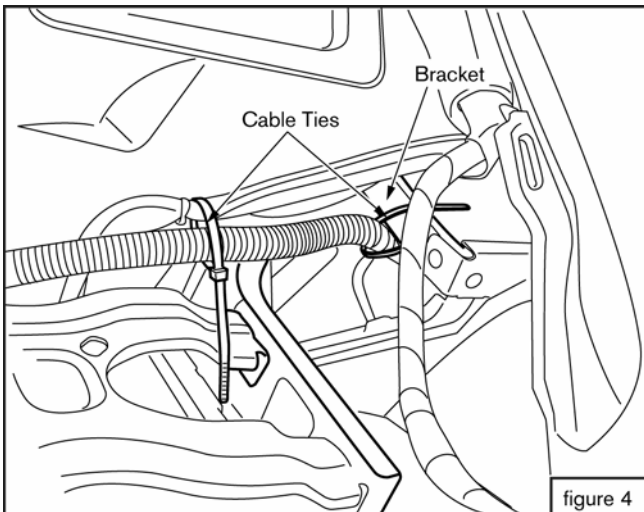
10. N-BUS HARNESS INSTALLATION:



- 1) Feed the N-BUS harness through the opening on the bracket on the left side of the glove box compartment towards the head unit (figure 2).

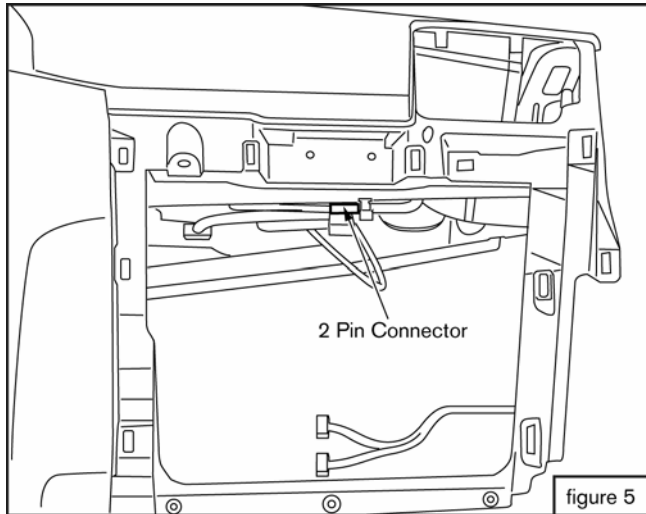


- 2) Connect the harness to the back of the audio head unit (figure 3).



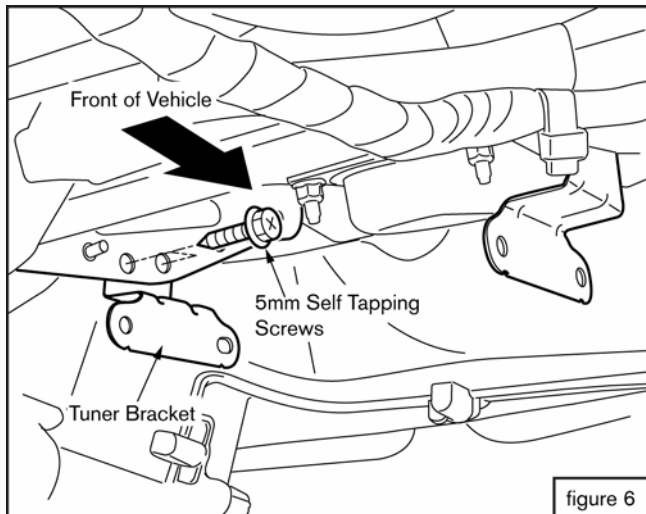
- 3) Cable tie the N-Bus harness in two spots, to the existing cable and the bracket. Cut the excess cable tie as flush with the head as possible (figure 4).

SATELLITE RADIO INSTALLATION INSTRUCTIONS



- 4) Connect the 2-pin connector to its mate, which is attached to the glove box dome lamp harness as shown (figure 5).

11. TUNER INSTALLATION:

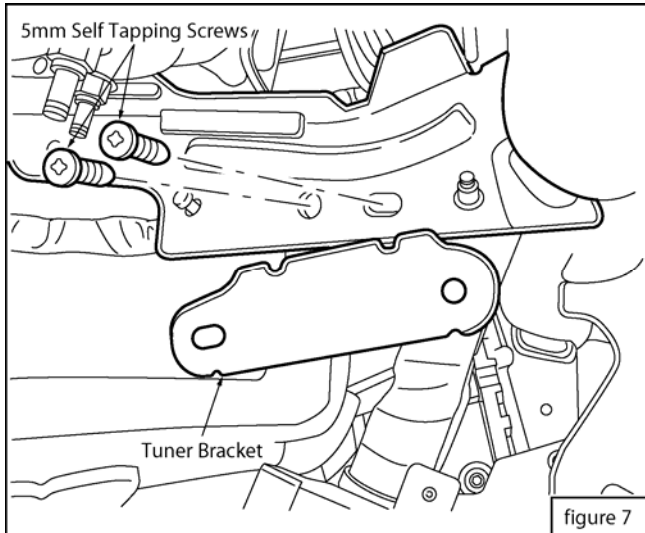


- 1) Install the left tuner bracket to the cockpit module steering member using two 5mm self-tapping screws as shown (figure 6).

SATELLITE RADIO INSTALLATION INSTRUCTIONS

NOTE

- Leave all 4 screws loose until the tuner is properly positioned, then securely tighten them.

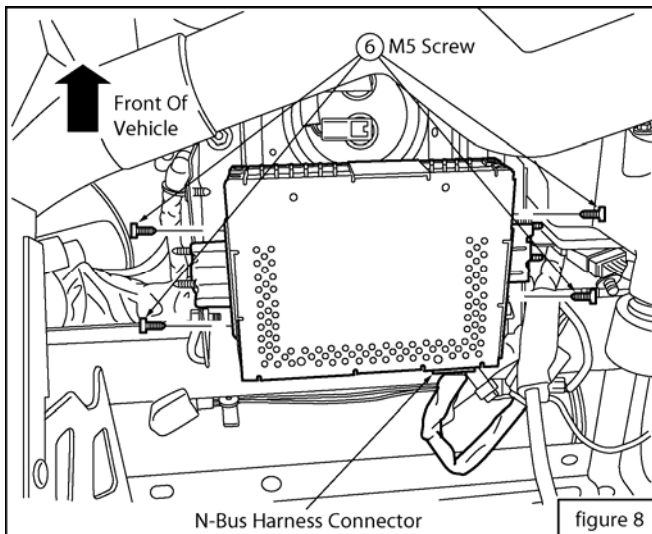


- 2) Install the right tuner brackets to the cockpit module steering member using two 5mm self-tapping screws as shown (figure 7).



CAUTION

- A minimum of four M5 mounting screws need to be used when installing the Tuner.



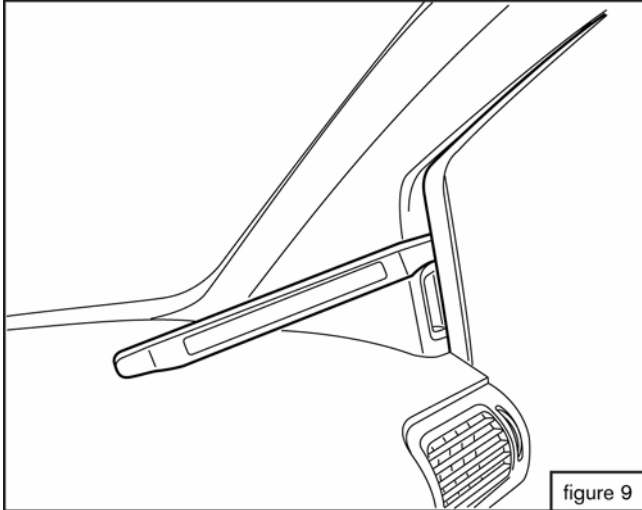
- 3) Install the tuner into the brackets using two 5mm screws on each side as shown (figure 8).
- 4) Connect the N-BUS sub-harness to the tuner as shown (figure 8).

SATELLITE RADIO INSTALLATION INSTRUCTIONS

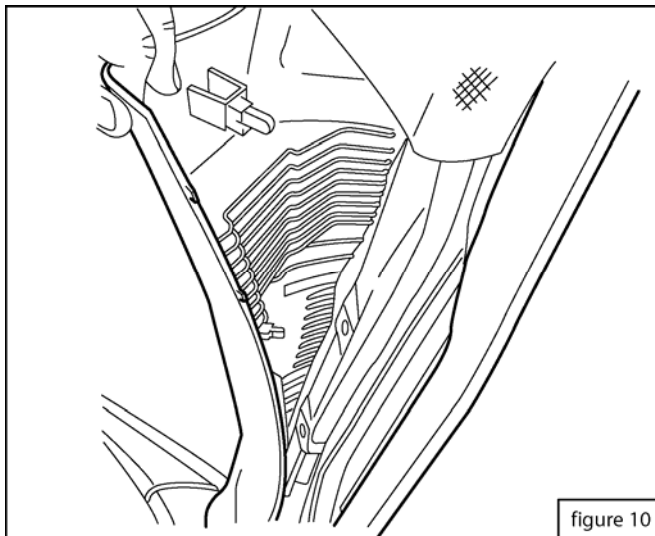
12. ANTENNA INSTALLATION:

CAUTION

- Do not tear the weather stripping.



- 1) Detach the weather stripping from the passenger side A-pillar using a PGF stick as shown (figure 9).



- 2) Release the top portion of the passenger side A-pillar by releasing the top three clips. Allow the finisher to be supported by the remaining fasteners as shown (figure 10).
- 3) Clean the windshield with 50/50 alcohol/water solution on the inside center antenna mounting location above the rear view mirror (right of center for electro-chromatic {E/C} rear view mirror).

CAUTION

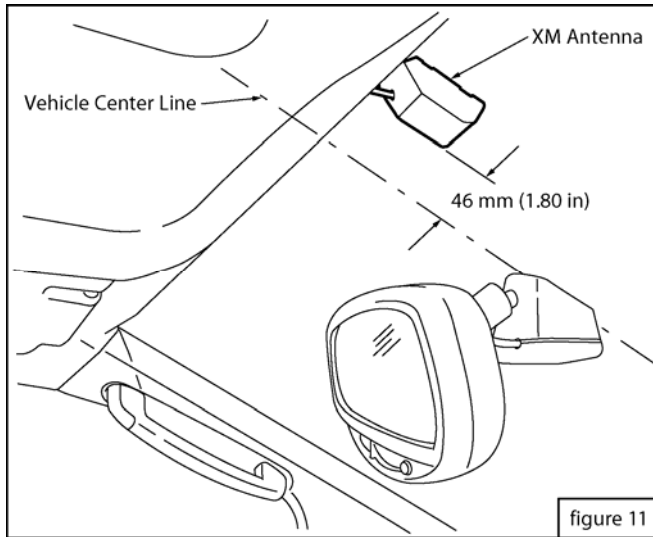
- To prevent reduction of adhesive strength, do not touch or contaminate the cleaned glass or adhesive tape on the antenna.

SATELLITE RADIO INSTALLATION INSTRUCTIONS

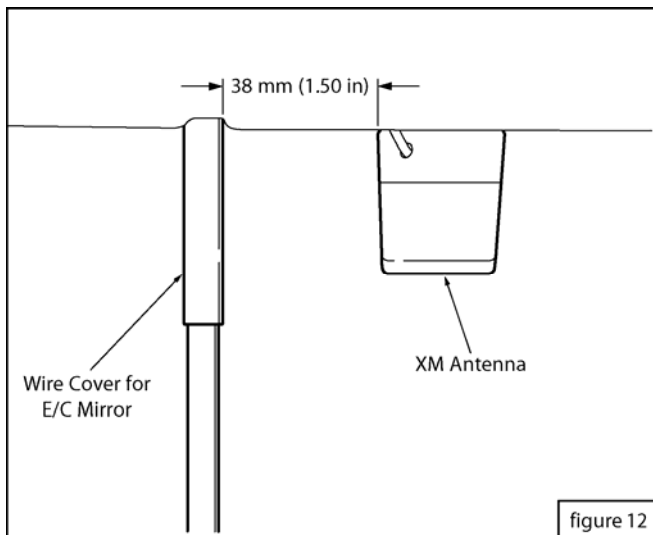
12-1. XM ANTENNA INSTALLATION (Skip to Section 12-2 for SIRIUS Installation)

CAUTION

- In case of ambient temperatures below 20 degrees C (68 degrees F), it is required to warm the mounting surface with a heater to a minimum of 20 degrees C (68 degrees F).
- To prevent reduction of adhesive strength, do not touch or contaminate the cleaned glass or adhesive tape on the antenna.
- Do not secure the antenna cable to the windshield washer fluid supply line or the sunroof drain line.

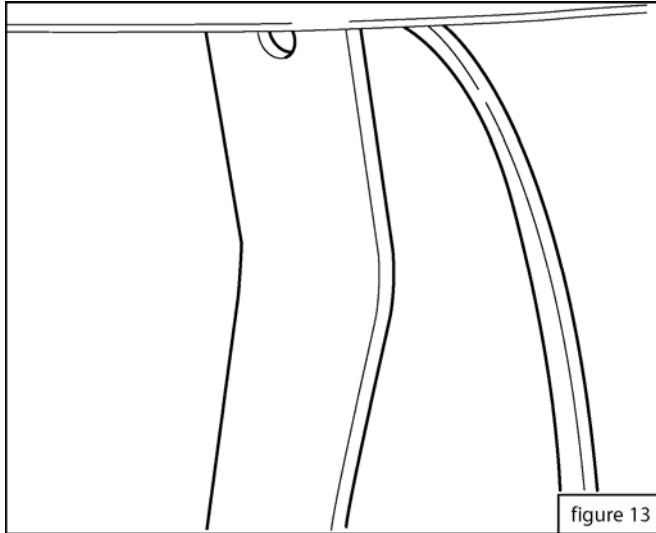


- 1) If the vehicle is not equipped with the E/C mirror, attach the antenna to the inside of the windshield centered and flush with the headliner trim as shown (figure 11).
- 2) Unwrap the antenna cable. Peel the tape off the antenna. Position antenna on inside of windshield and apply equal pressure to the antenna for at least 20 seconds.

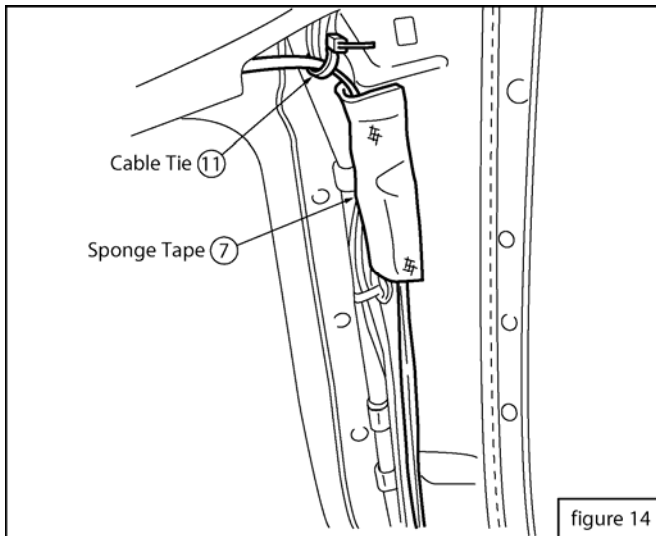


- 3) For installation of a XM antenna in vehicles with an E/C mirror the antenna must be installed 38mm (1.50 in.) to the RH side of the E/C mirror wire cover.
- 4) Attach the antenna to the inside of the windshield as shown (figure 12). Unwrap the antenna cable. Peel the tape off the antenna. Position antenna on inside of windshield and apply equal pressure to the antenna for at least 20 seconds.

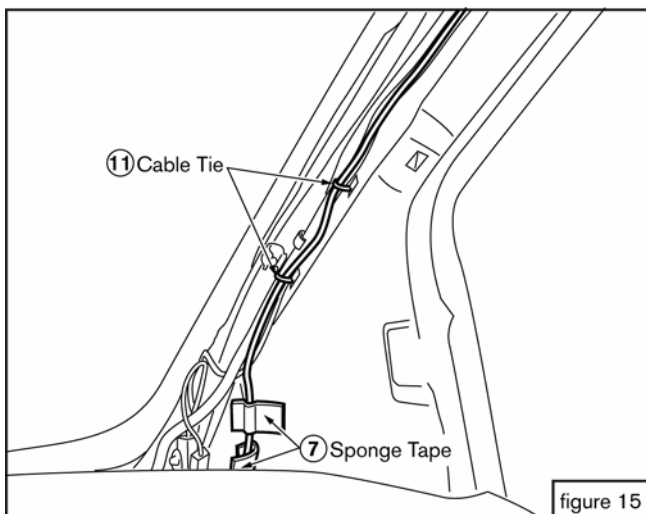
SATELLITE RADIO INSTALLATION INSTRUCTIONS



- 5) Use the plastic pry bar to push the antenna cable into the headliner towards the passenger side A-pillar (figure 13). While feeding the antenna cable into the headliner from the antenna to the passenger-side A-pillar, wrap three pieces of sponge tape lengthwise and evenly spaced along the antenna cable.
- 6) Route the antenna cable from the headliner down the passenger side A-pillar.

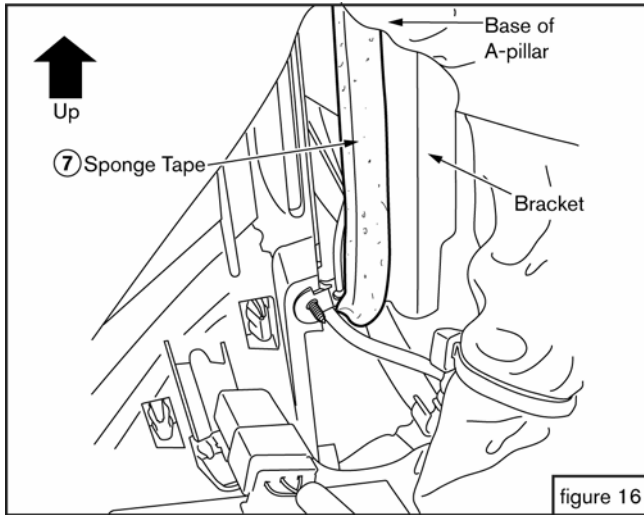


- 7) Cable tie the antenna cable in two locations to the existing wiring near the top and middle of the A-pillar. Cut the excess cable tie as flush with the head as possible. Face the head of the cable tie away from sheet metal and other objects (figure 14 & 15).



- 8) Route the antenna cable through the opening near the base of the A-pillar finisher panel. Continue to route the antenna cable towards the tuner location, leaving approximately enough cable length for the tuner connection (figure 15).

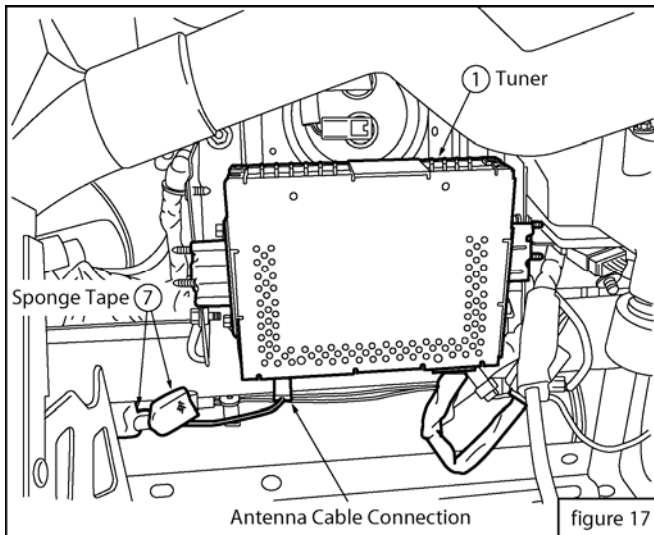
SATELLITE RADIO INSTALLATION INSTRUCTIONS



- 9) Wrap the antenna cable with sponge tape length-wise as shown (figure 16) to protect the cable from chafing at the bracket.

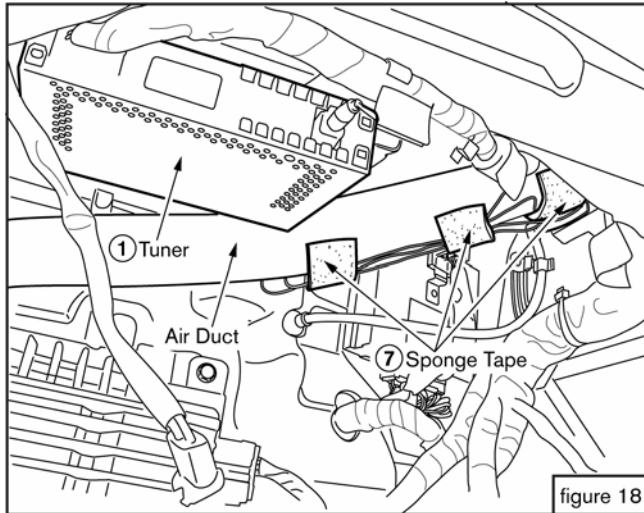
CAUTION

- Ensure the antenna wire is protected from rubbing/chafing against the bracket shown in figure 16.



- 10) Connect the antenna cable connector to the tuner (figure 17).
- 11) Use sponge tape to secure antenna cable as shown (figure 17).

SATELLITE RADIO INSTALLATION INSTRUCTIONS

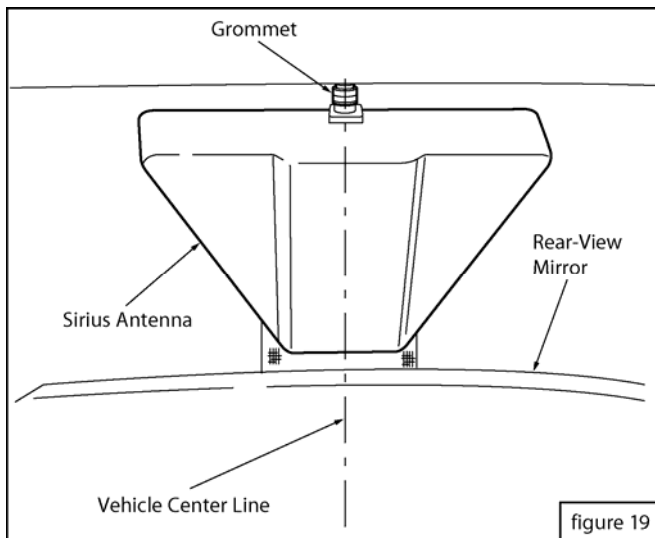


- 12) Neatly bundle the antenna cable. The bundle should be roughly 200mm to 230mm (8in. to 9in.) long as shown (figure 18). Wrap the bundle at its ends (2 places) with electrical tape (greater than or equal to 2 revolutions).
- 13) Secure the bundled antenna cable to the nearby duct using two pieces of sponge tape (figure 18).

12-2. SIRIUS ANTENNA INSTALLATION

CAUTION

- In case of ambient temperatures below 20 degrees C (68 degrees F), it is required to warm the mounting surface with a heater to a minimum of 20 degrees C (68 degrees F).
- To prevent reduction of adhesive strength, do not touch or contaminate the cleaned glass or adhesive tape on the antenna.
- Do not secure the antenna cable to the windshield washer fluid supply line or the sunroof drain line.

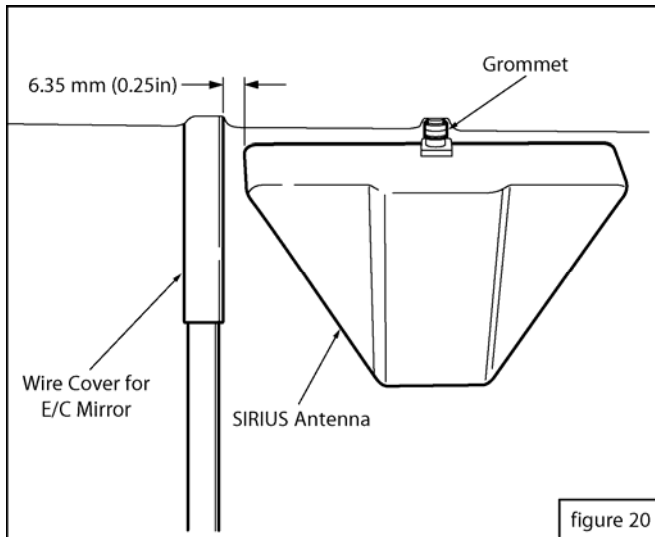


- 1) For installation of a SIRIUS antenna in vehicles with out an E/C mirror the antenna must be installed centered and above the rear view mirror as shown (figure 19).
- 2) The SIRIUS antenna will be installed as flush as possible with the headliner. If there is a grommet on the antenna, tuck it under the headliner as much as possible (figure 19).

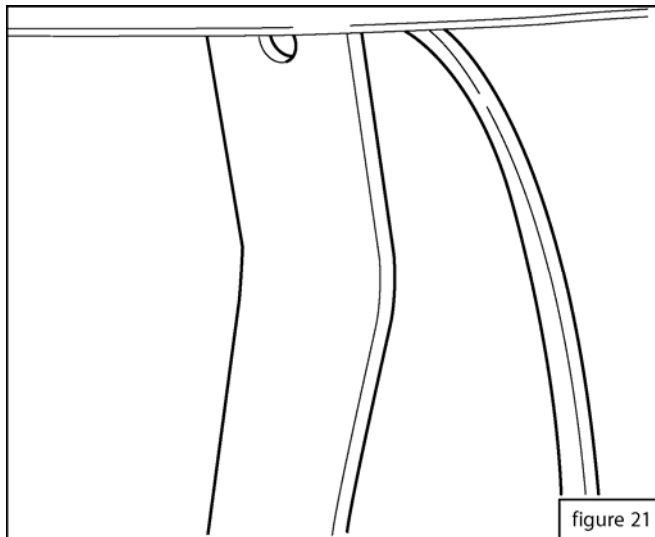
CAUTION

- Handling of adhesive promoter should be done carefully with gloves and safety glasses.

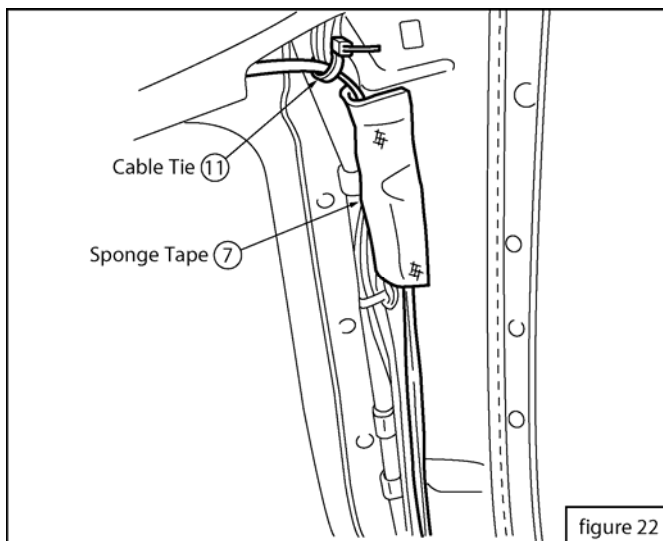
SATELLITE RADIO INSTALLATION INSTRUCTIONS



- 3) For installation of a SIRIUS antenna in vehicles with an E/C mirror the antenna must be installed 6.35mm (0.25in.) to the RH side of the E/C mirror wire cover as shown (figure 20).
- 4) Apply the adhesive promoter to the inner windshield where the antenna is to be mounted. Let the area dry until the promoter is completely evaporated.
- 5) Unwrap the antenna cable. Peel the tape off the antenna. Place the antenna squarely, but lightly on the windshield. **DO NOT** apply one side first and then roll the rest down. Push corners down first, and then work to the sides. Apply equal pressure downward along portions of the housing for at least 20-30 seconds.

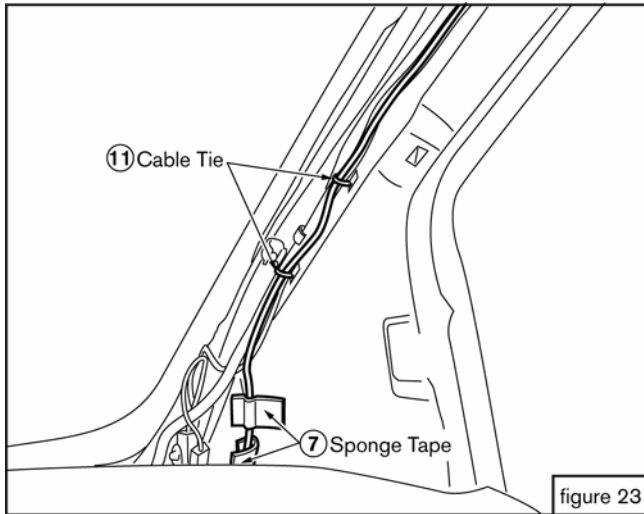


- 6) Use the plastic pry bar to push the antenna cable into the headliner towards the passenger side A-pillar (figure 21). While feeding the antenna cable into the headliner from the antenna to the passenger-side A-pillar, wrap three pieces of sponge tape lengthwise and evenly spaced along the antenna cable.
- 7) Route the antenna cable from the headliner down the passenger side A-pillar.

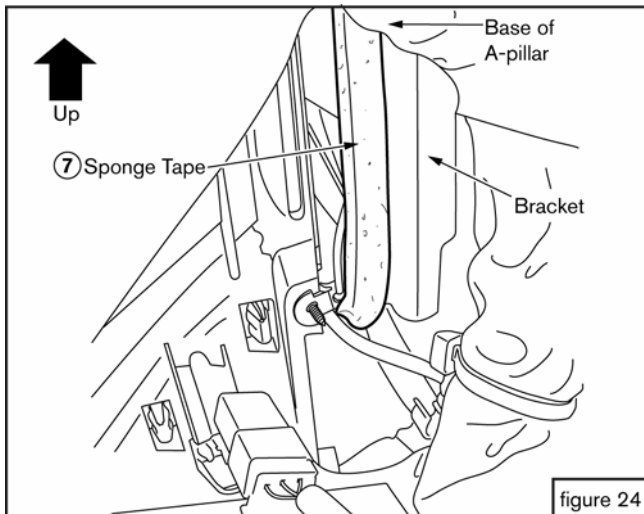


- 8) Cable tie the antenna cable in two locations to the existing wiring near the top and middle of the A-pillar. Cut the excess cable tie as flush with the head as possible. Face the head of the cable tie away from sheet metal and other objects (figure 22 & 23).

SATELLITE RADIO INSTALLATION INSTRUCTIONS



- 9) Route the antenna cable through the opening near the base of the A-pillar finisher panel. Continue to route the antenna cable towards the tuner location, leaving approximately enough cable length for the tuner connection (figure 23).



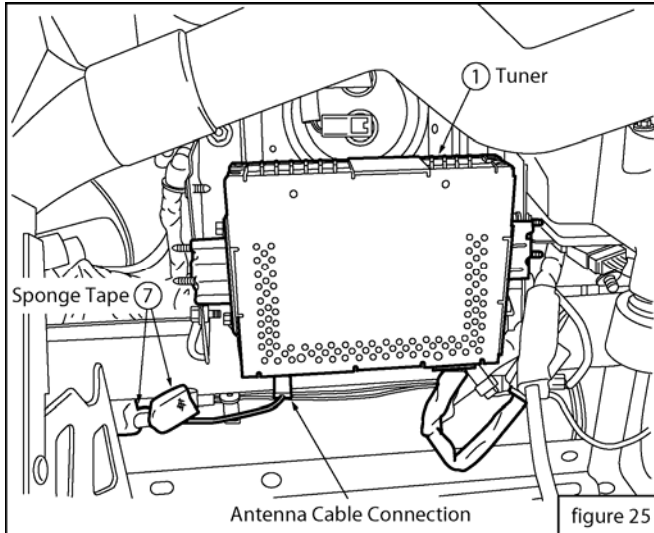
- 10) Wrap the antenna cable with sponge tape length-wise as shown (figure 24) to protect the cable from chafing at the bracket.



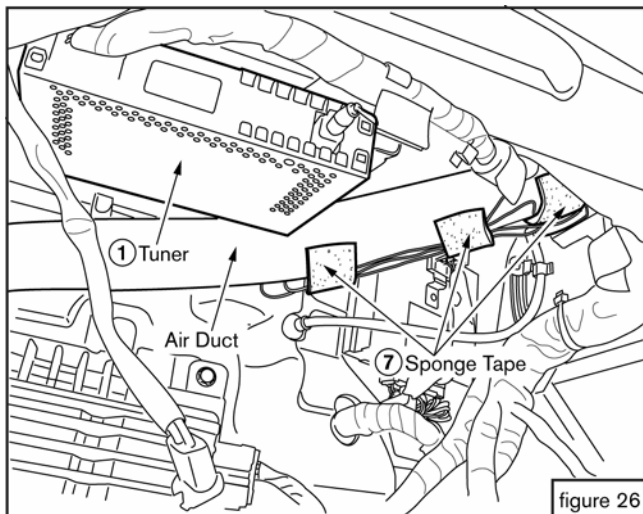
CAUTION

- Ensure the antenna wire is protected from rubbing/chafing against the bracket shown in figure 24.

SATELLITE RADIO INSTALLATION INSTRUCTIONS



- 11) Connect the antenna cable connector to the tuner (figure 25).
- 12) Use sponge tape to secure antenna cable as shown (figure 25).



- 13) Neatly bundle the antenna cable. The bundle should be roughly 200mm to 230mm (8in. to 9in.) long as shown (figure 26). Wrap the bundle at its ends (2 places) with electrical tape (greater than or equal to 2 revolutions).
- 14) Secure the bundled antenna cable to the nearby duct using two pieces of sponge tape (figure 26).

SATELLITE RADIO INSTALLATION INSTRUCTIONS

13. OPERATIONAL CHECK

- 1) Connect the battery negative terminal.
- 2) Turn the vehicle ignition switch to the ACC position.
- 3) Turn the radio on, then select satellite radio mode. Loading (XM) or Acquiring (SIRIUS) should display for a while. If not, move the vehicle outside and try again.
- 4) Tune to the preview channel (XM: channel 1 or SIRIUS: channel 184) to make sure you are receiving the preview channel correctly.
- 5) Confirm proper audio operation (AM/FM/TAPE/CD).

14. REINSTALLATION OF REMOVED PARTS

- 1) Reinstall all removed vehicle parts. Refer to the service manual for the vehicle as necessary.
- 2) Be sure to engage all the clips on the interior finish panels.
- 3) Clean the vehicle interior.

15. FINAL INSPECTION

- 1) Inspect the vehicle interior and exterior for damage.
- 2) Confirm proper operation of the vehicle systems.
- 3) Reset the radio presets to the recorded settings.
- 4) If equipped, verify proper sunroof operation and perform the reset procedure if necessary. Refer to Service Manual requirements.