

SIDE ROTARY

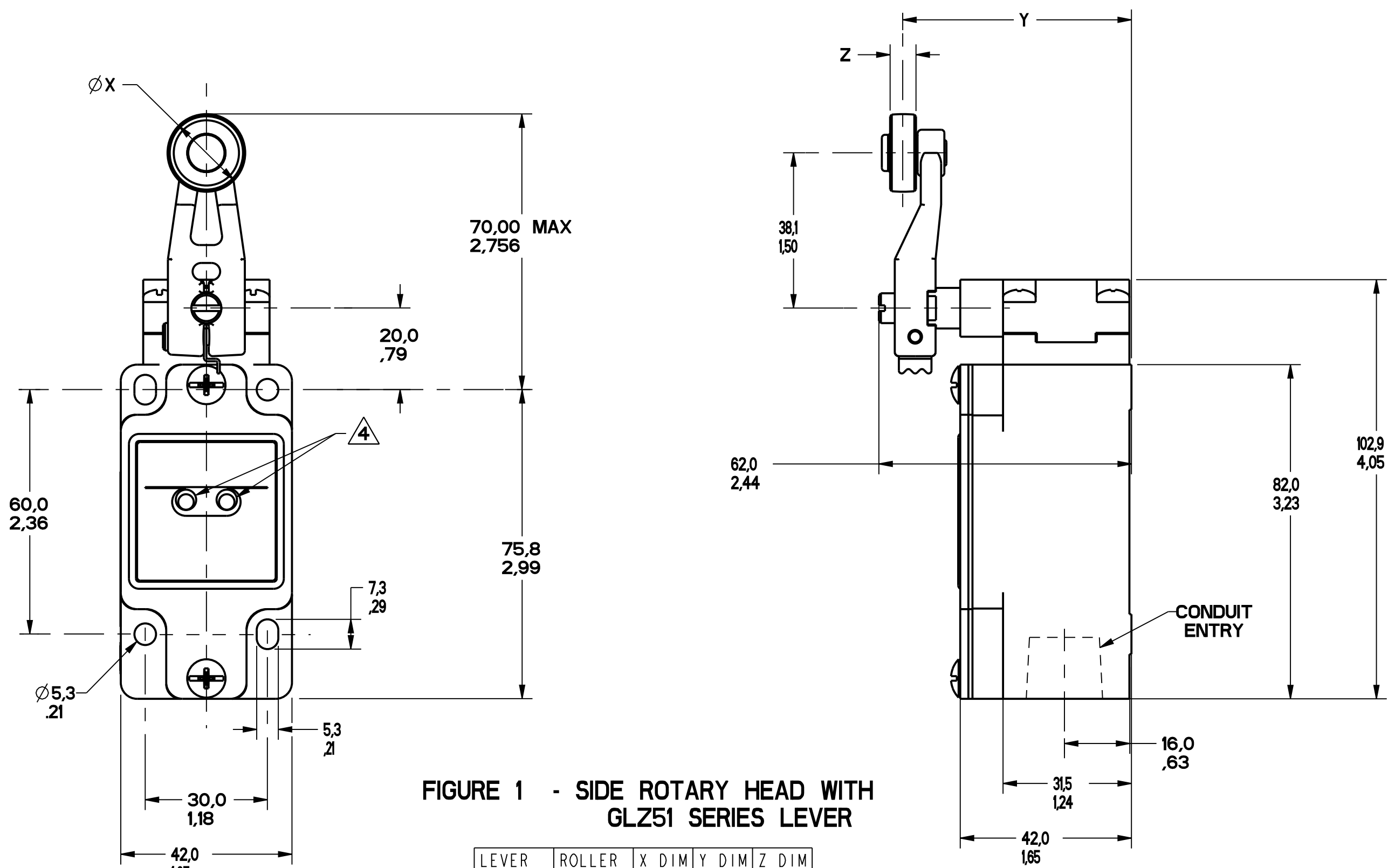


FIGURE 1 - SIDE ROTARY HEAD WITH GLZ51 SERIES LEVER

LEVER	ROLLER MATL	X DIM	Y DIM	Z DIM
GLZ51A	NYLON	19.1 .75	55.9 2.20	6.4 .25
GLZ51B	STEEL	19.1 .75	55.9 2.20	6.4 .25
GLZ51C	NYLON	24.5 1.00	59.1 2.33	12.7 .50
GLZ51Y	RUBBER	50.0 1.97	66.1 2.60	10.0 .39
GLZ51T	STAINLESS STEEL	19.1 .75	56.8 2.24	8.8 .345

GLZ54J: 200.00 / 7.870 MAX
GLZ54K: 140.00 / 5.510 MAX
ALUMINUM ROD

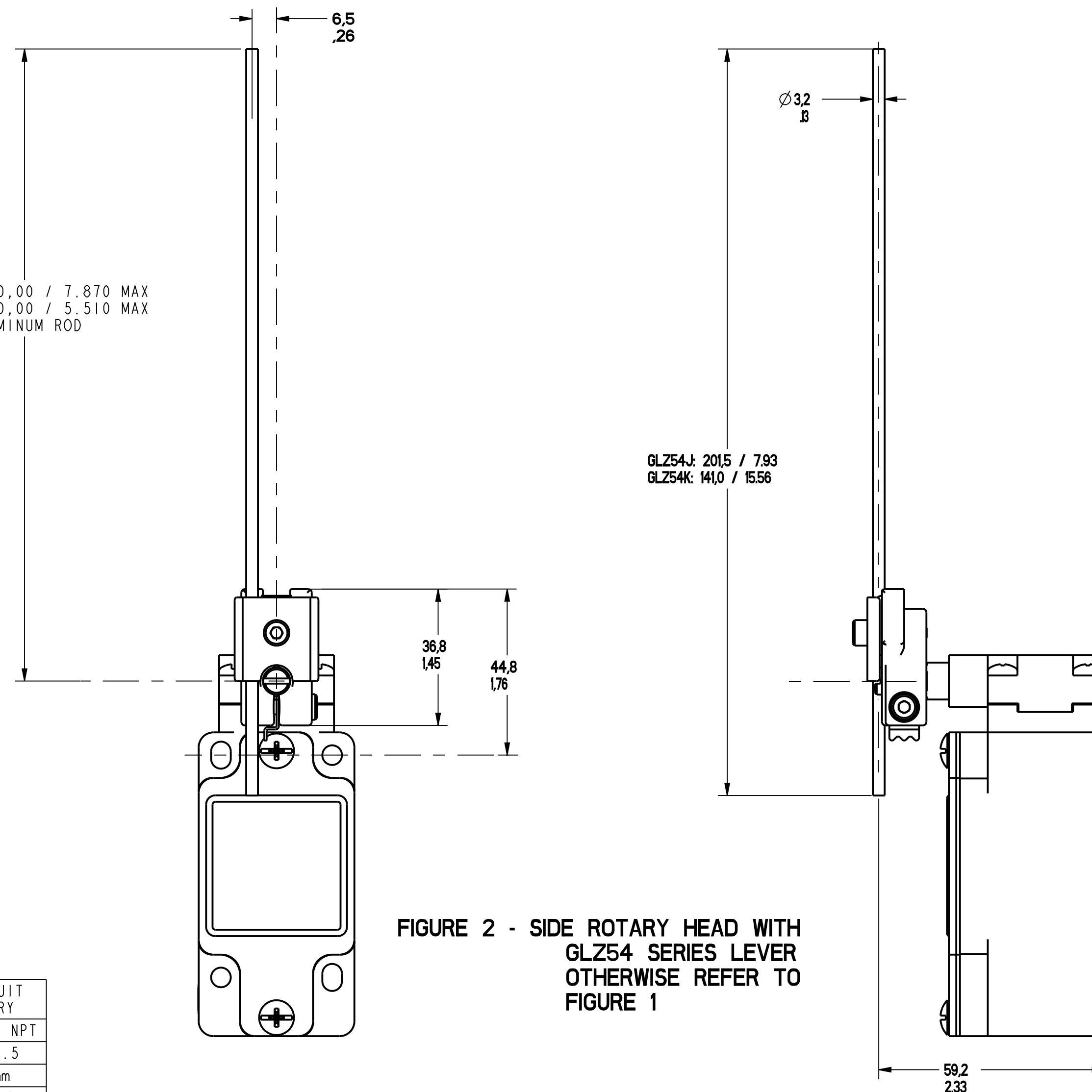


FIGURE 2 - SIDE ROTARY HEAD WITH GLZ54 SERIES LEVER OTHERWISE REFER TO FIGURE 1

FIGURE	CATALOG LISTING	CONDUIT ENTRY
1A	GL*A SERIES	1/2-14 NPT
1B	GL*B SERIES	PG13.5
1C	GL*C SERIES	20mm
1D	GL*D SERIES	PF1/2

ELECTRICAL RATING Δ 5 / 8			
AC		DC	
A600 Ue	AC15 Ie	0300 Ue	DC13 Ie
(VOLTS)	(AMPS)	(VOLTS)	(AMPS)
120	6	24	2.8
240	3	125	.55
380	1.9	250	.27
480	1.5		
500	1.4		
600	1.2		

ENVIRONMENTAL RATING	
IP67	
NEMA/UL TYPES 1, 4, 12, 13	

CATALOG LISTING	BODY DIMENSIONS, FIGURE	HEAD DIMENSIONS, FIGURE	HEAD ACTUATION, FIGURE
GLA***	1	N/A	N/A
GLF***	1	N/A	N/A
GLH***	1	N/A	N/A
GLA***	1A	N/A	N/A
GLB***	1B	N/A	N/A
GLC***	1C	N/A	N/A
GLD***	1D	N/A	N/A
GL***A1*	1	1	8
GL***A2*	1	3	9
GL***A4*	1	2	10
GL***A5*	1		8
GL***B	1	4	11
GL***C	1	5	13A, 13B
GL***D	1	6	14A, 14B
GL***E7A	1	7A	12
GL***E7B	1	7	12
GL***E7C	1	7E	15
GL***E7D	1	7B	12
GL***K8A	1	7C	15
GL***K8B	1	7D	15
GL***K8C	1	7	15

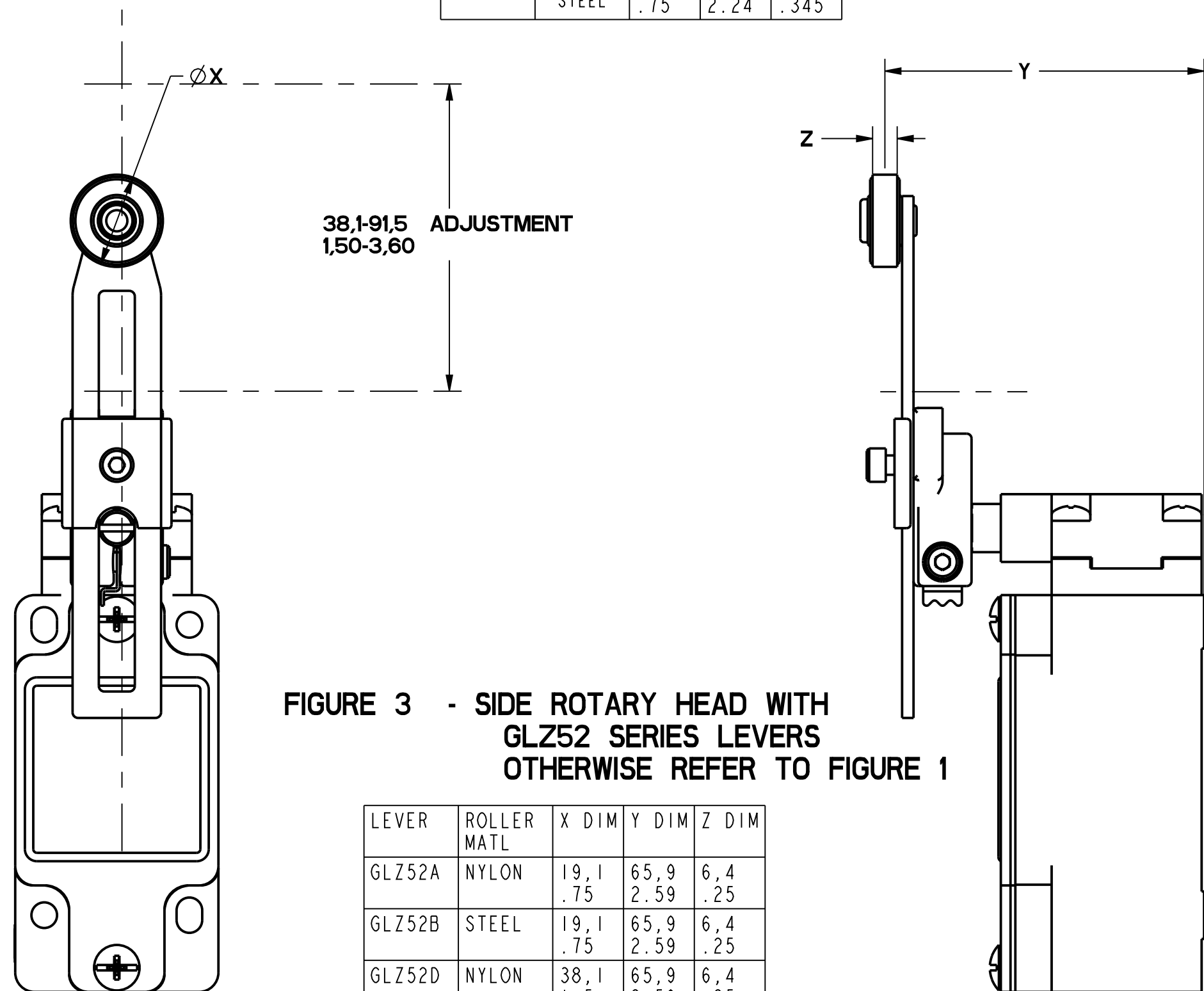


FIGURE 3 - SIDE ROTARY HEAD WITH GLZ52 SERIES LEVERS OTHERWISE REFER TO FIGURE 1

LEVER	ROLLER MATL	X DIM	Y DIM	Z DIM
GLZ52A	NYLON	19.1 .75	65.9 2.59	6.4 .25
GLZ52B	STEEL	19.1 .75	65.9 2.59	6.4 .25
GLZ52D	NYLON	38.1 1.5	65.9 2.59	6.4 .25
GLZ52E	NYLON	19.1 .75	79.37 3.125	33.07 1.300
GLZ52W	RUBBER	40.0 1.6	71.5 2.81	12.7 .5
GLZ52Y	RUBBER	50.0 1.97	68.8 2.71	10.0 .39

NOTES
1 - HEADS MAY BE INDEXED IN 90° INCREMENTS
2 - LEVERS MAY BE KEYED TO THE SHAFT AT 90° INCREMENTS. THEY MAY ALSO BE ATTACHED, BUT NOT KEYED ANYWHERE ON THE SHAFT.
3 - FOR ADDITIONAL LEVERS SEE "M" DRAWING CHART GLZ5
4 - THE LEFT INDICATOR IS GREEN AND INDICATES "POWER ON" IT IS ON GLH SERIES PRODUCTS ONLY. THE RIGHT INDICATOR IS YELLOW AND INDICATES "OUTPUT STATUS" IT IS ON GLF AND GLH SERIES PRODUCTS ONLY.
5 - THE MAXIMUM VOLTAGE, V_e OF GLF AND GLH SERIES PRODUCTS IS THE MAXIMUM RATED VOLTAGE OF INDICATION LIGHTS
6 - FREE POSITION, OPERATE POINT, OVERTRAVEL AND PRETRAVEL ALL TO EN50041
7 - CAM TRAVEL FOR FIG 9 ONLY APPLIES WHEN LEVER IS ADJUSTED TO 38.1 / 1.50
8 - THE MAXIMUM VOLTAGE, V_e OF "06" AND "36" BASIC SWITCH CODE IS 500V (A500) TEMPERATURE RANGE
9 - (ALL PRODUCTS EXCEPT W/SIDE ROTARY OPERATING HEAD)
OPERATING: -25°C TO +85°C / -13°F TO +185°F
STORAGE: -40°C TO +85°C / -40°F TO +185°F
(PRODUCTS W/SIDE ROTARY OPERATING HEAD)
OPERATING: -40°C TO +85°C / -40°F TO +185°F
STORAGE: -40°C TO +85°C / -40°F TO +185°F

THIS DRAWING COVERS A PROPRIETARY ITEM AND IS THE PROPERTY OF MICRO SWITCH, A DIVISION OF HONEYWELL. THIS DRAWING IS NOT TO BE COPIED OR USED WITHOUT THE APPROVAL OF MICRO SWITCH.

FED. MFG. CODE 91929

MICRO SWITCH
a Honeywell Division

SWITCH, ENCLOSED

CATALOG LISTING
GL SERIES CHART 1

THIRD ANGLE PROJECTION

SCALE 1:1

DO NOT SCALE PRINT

TOLERANCES
APPLY TO DESIGN UNITS. CONVERSIONS ARE ONLY FOR REFERENCE UNLESS NOTED. TOLERANCES ARE:

NO. PLACES	SI METRIC	US CUSTOMARY
ONE PLACE	±0.1	±0.005
TWO PLACES	±0.01	±0.0005
THREE PLACES	±0.001	±0.0001

DESIGN UNITS: SI METRIC US CUSTOMARY

WEIGHT

PTC/CAD
S. A. V. 27 MAR 86
DRAWN
CHECK
DWM
07 AUG 86
CHECK
CMH
05 OCT 86
CHECK
CMH

REVISIONS
1 02/23/89
2 01/10/89
3 01/10/89
4 00/27/88
5 00/27/88
6 00/27/88
7 00/27/88
8 00/27/88
9 00/27/88
10 00/27/88
11 00/27/88
12 00/27/88
13 00/27/88
14 00/27/88
15 00/27/88

ISSUE
15
DRAWING NUMBER
MGL SERIES CHART 1
PAGE 1 OF 13
RELEASE NO. PR-20782

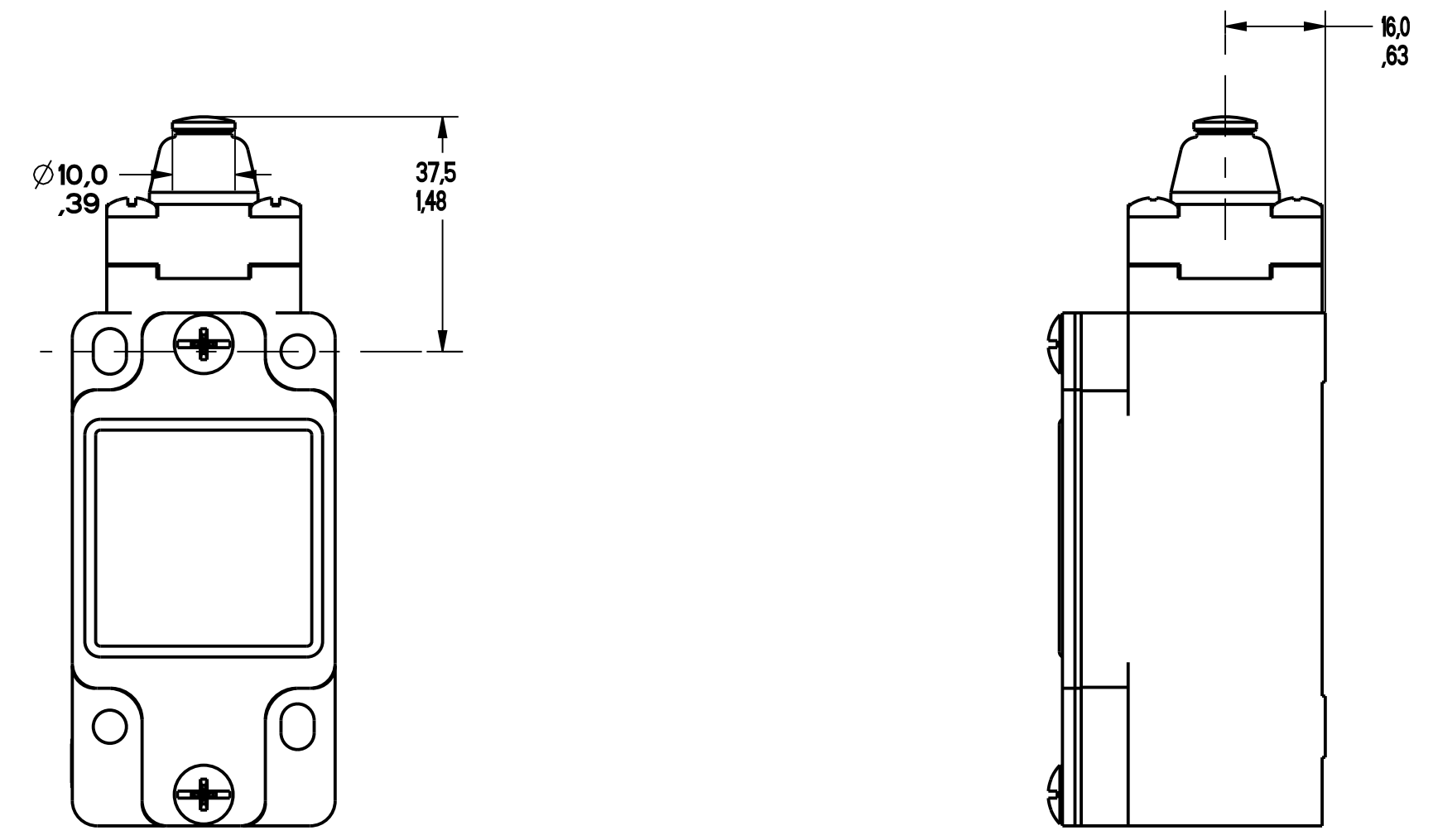


FIGURE 4 - TOP PIN PLUNGER HEAD
OTHERWISE REFER TO
FIGURE 1

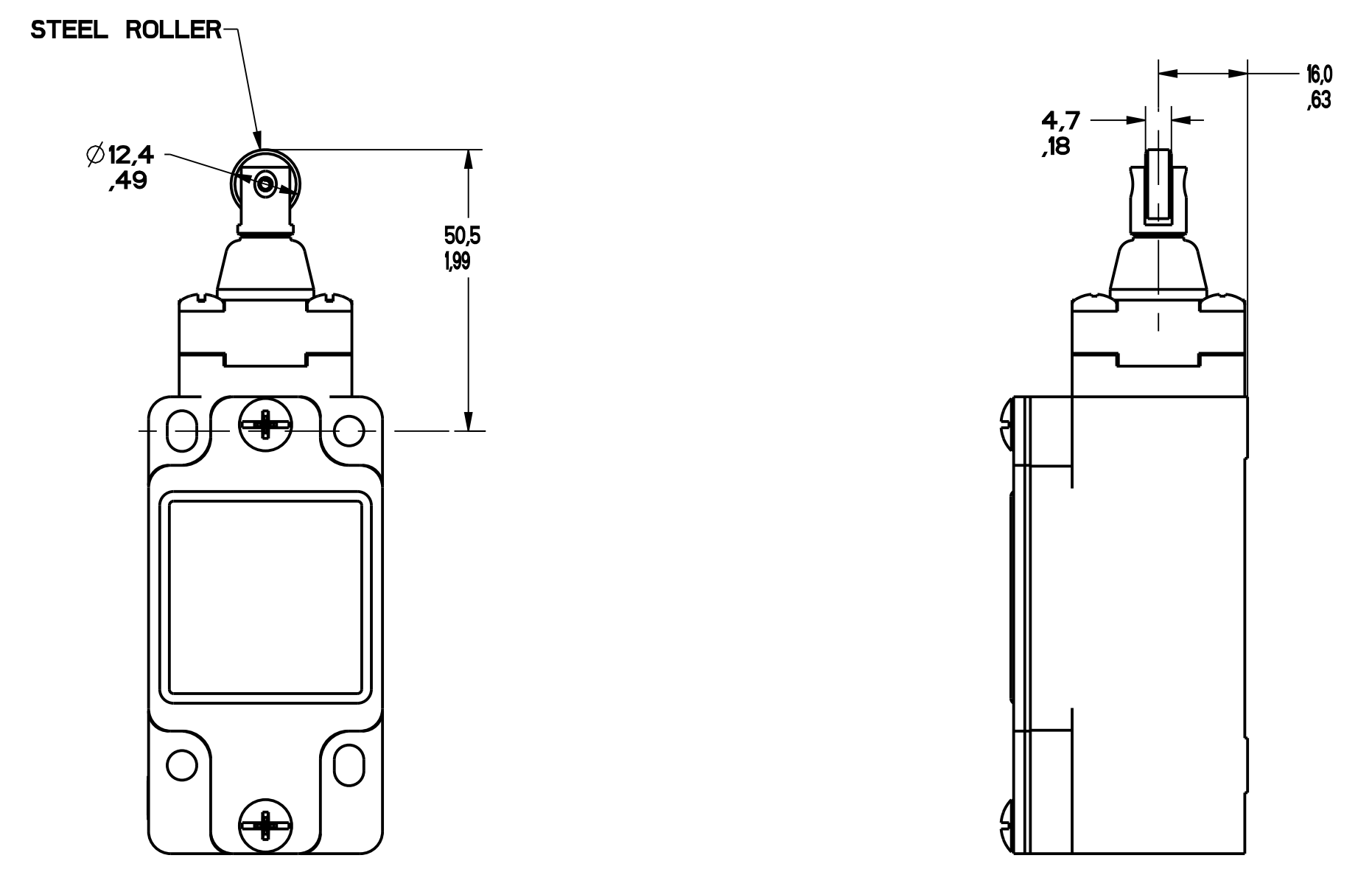


FIGURE 5 - TOP ROLLER PLUNGER HEAD
OTHERWISE REFER TO
FIGURE 1

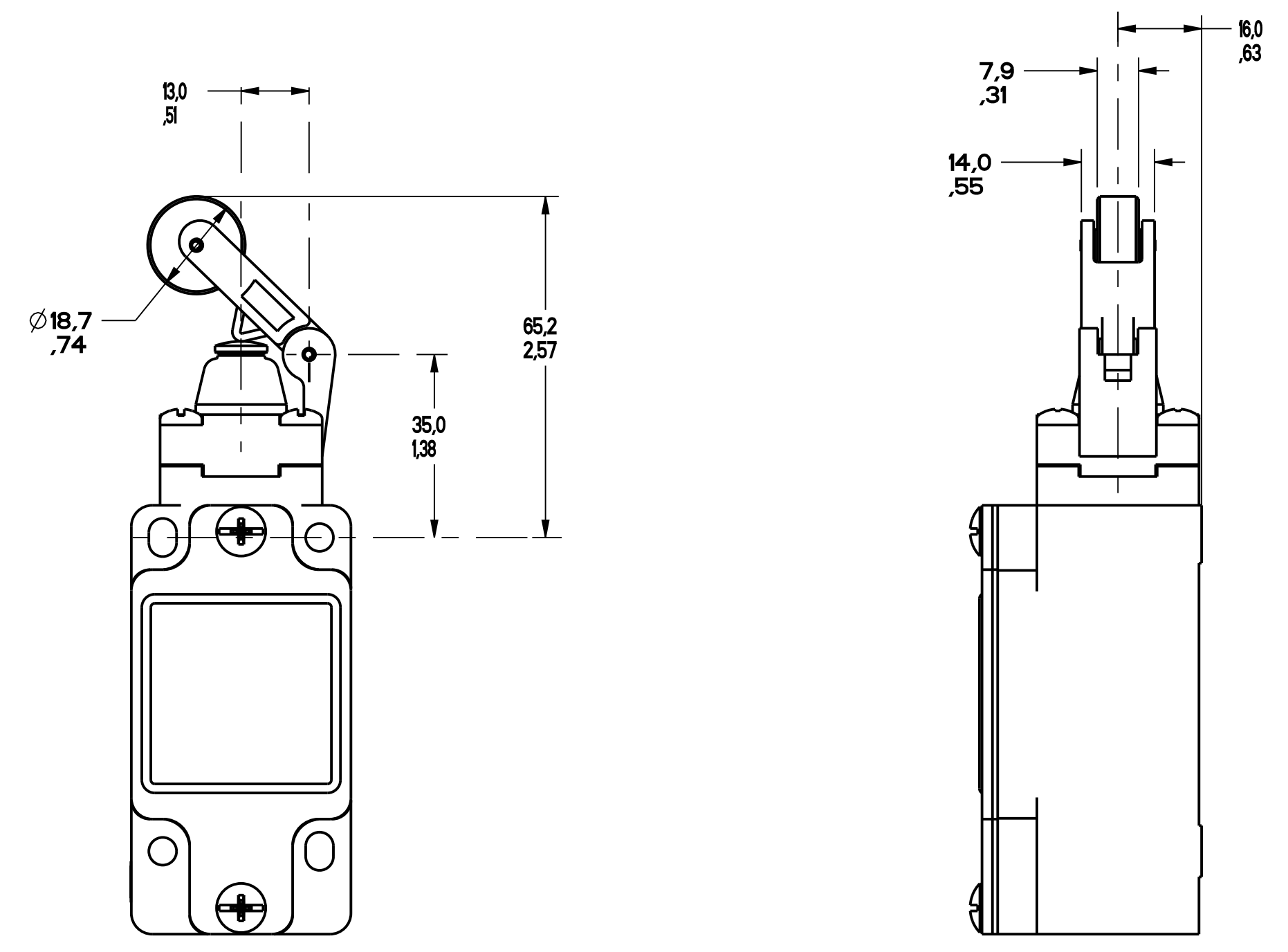


FIGURE 6 - TOP LEVER HEAD,
OTHERWISE REFER TO
FIGURE 1

MGL SERIES CHART 1
 DRAWING NUMBER: 15
 PAGE: 2 OF 13
 RELEASE NO. PR-20782
 REVISIONS:
 I 0000491
 J 0037216
 K 0043629
 L 0048605
 M 0078009
 N 0078059
 O 050C110
 PTC/CAD
 W. L. S. 26AUG93
 G.H.

THIS DRAWING COVERS A PROPRIETARY ITEM AND IS THE PROPERTY OF MICRO SWITCH, A DIVISION OF HONEYWELL. THIS DRAWING IS NOT TO BE COPIED OR USED WITHOUT THE APPROVAL OF MICRO SWITCH.		FEDERAL MFG. CODE 91929	
MICRO SWITCH a Honeywell Division		CATALOG LISTING	
SWITCH, ENCLOSED		GL SERIES CHART 1	
DESIGN UNITS: <input checked="" type="checkbox"/> SI METRIC <input type="checkbox"/> US CUSTOMARY		TOLERANCES: NO. PLACES: X .12 .04 .01 TWO PLACES: X .12 0.40 0.16 THREE PLACES: X .12 0.15 0.08 ANGLES: ± 2°	
WEIGHT		TOLERANCES ARE ONLY FOR REFERENCE, UNLESS NOTED.	

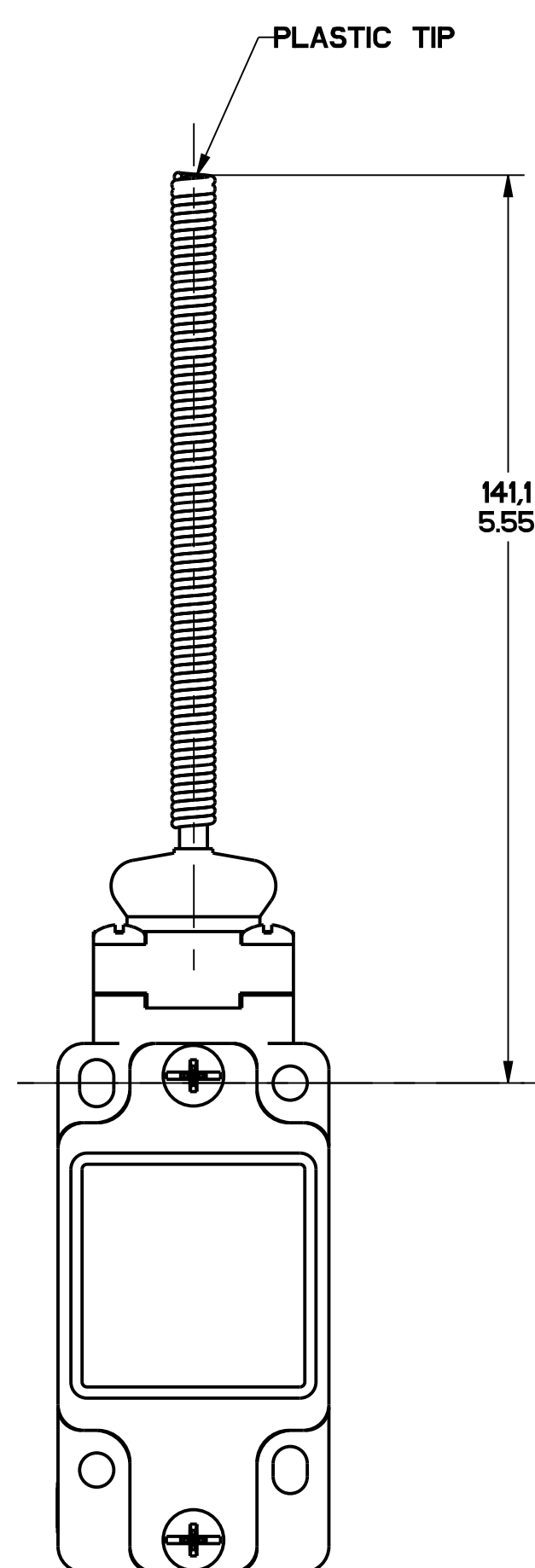


FIGURE 7 - WOBBLE HEAD, AND CAT WISKER HEAD COIL ACTUATOR, OTHERWISE REFER TO FIGURE 1

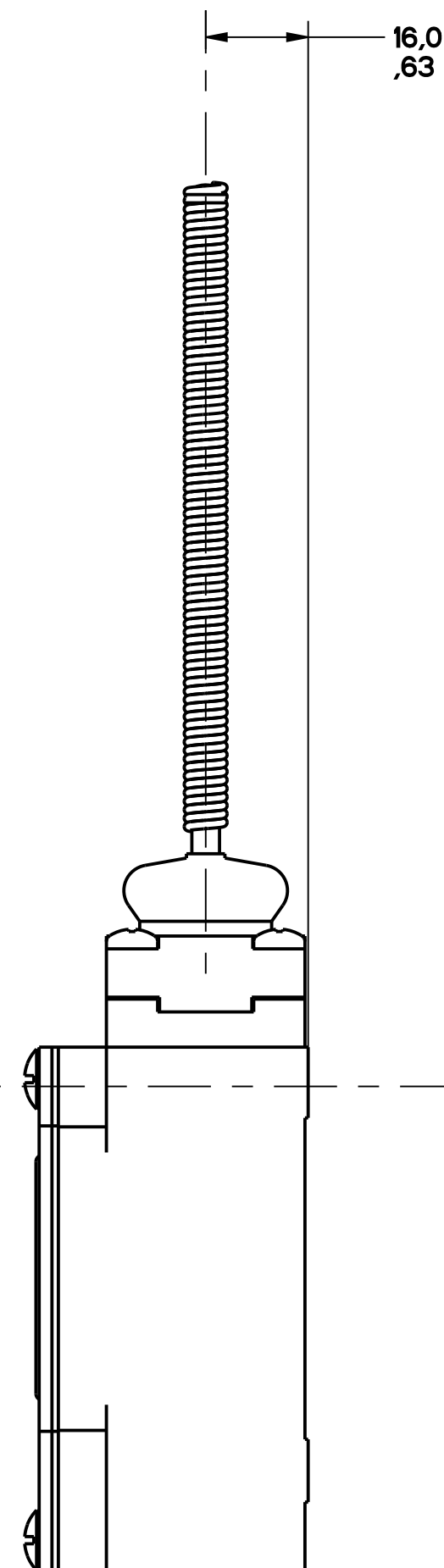


FIGURE 7A - WOBBLE HEAD, PLASTIC ACTUATOR, OTHERWISE SAME AS FIGURE 7

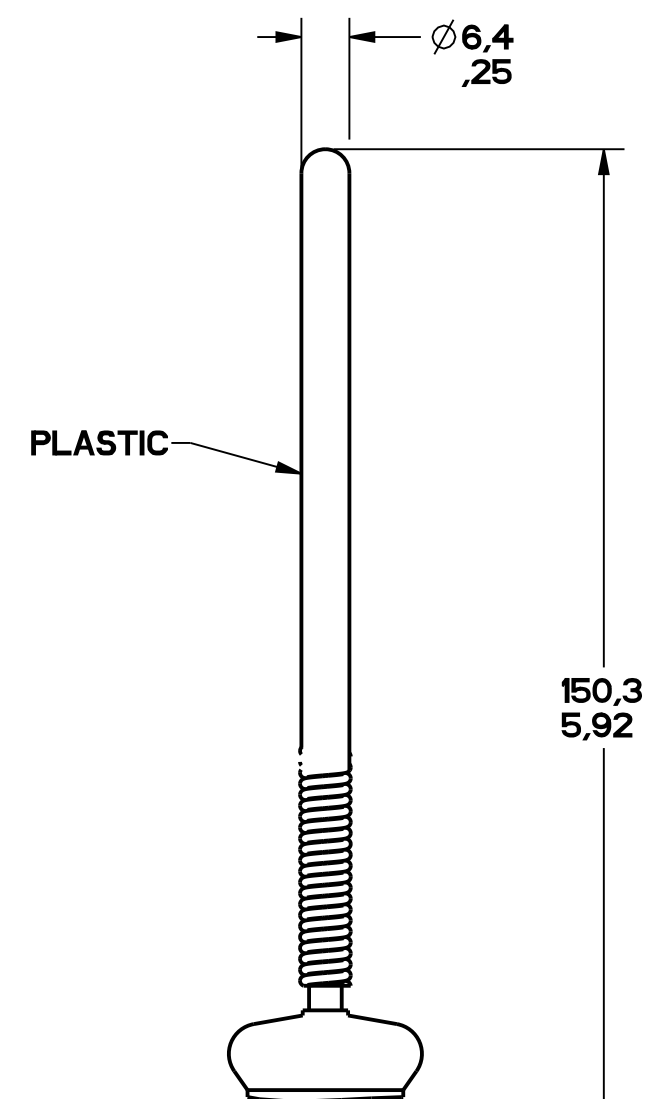


FIGURE 7B - WOBBLE HEAD STAINLESS STEEL SPRING ACTUATOR, OTHERWISE SAME AS FIGURE 7

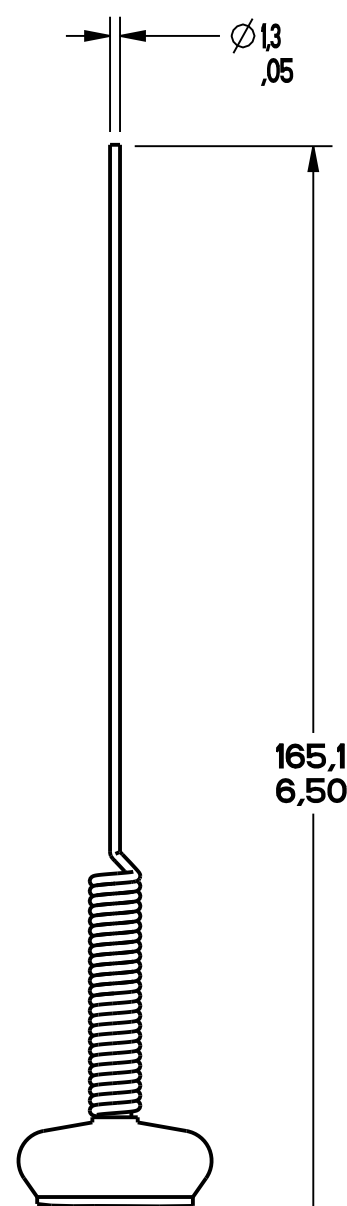


FIGURE 7C - CAT WHISKER ACTUATOR, STAINLESS STEEL SPRING, OTHERWISE SAME AS FIGURE 7

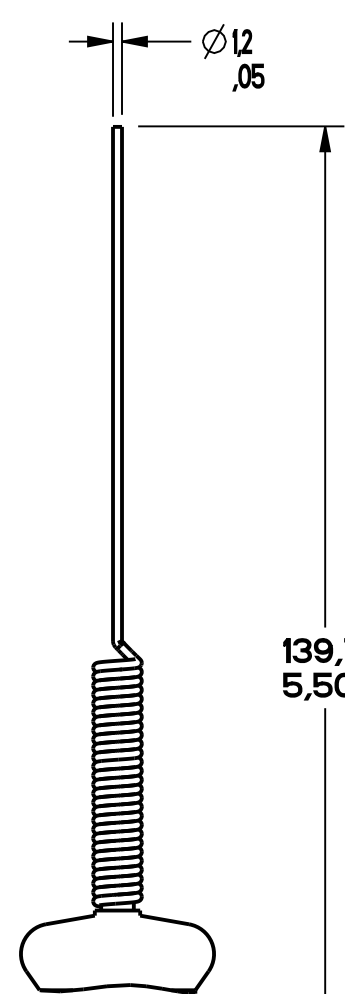


FIGURE 7D - CAT WHISKER ACTUATOR, STAINLESS STEEL SPRING, OTHERWISE SAME AS FIGURE 7

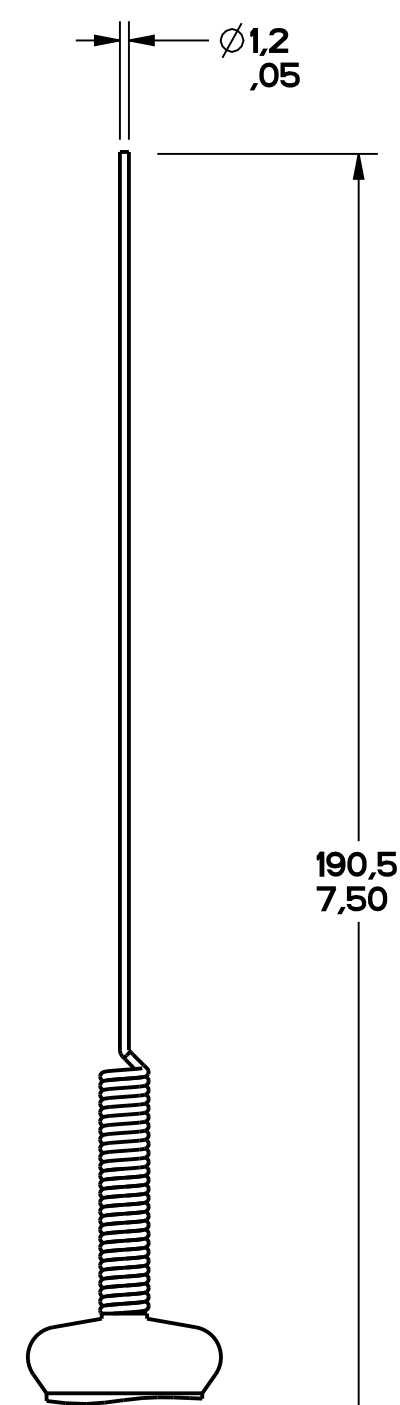
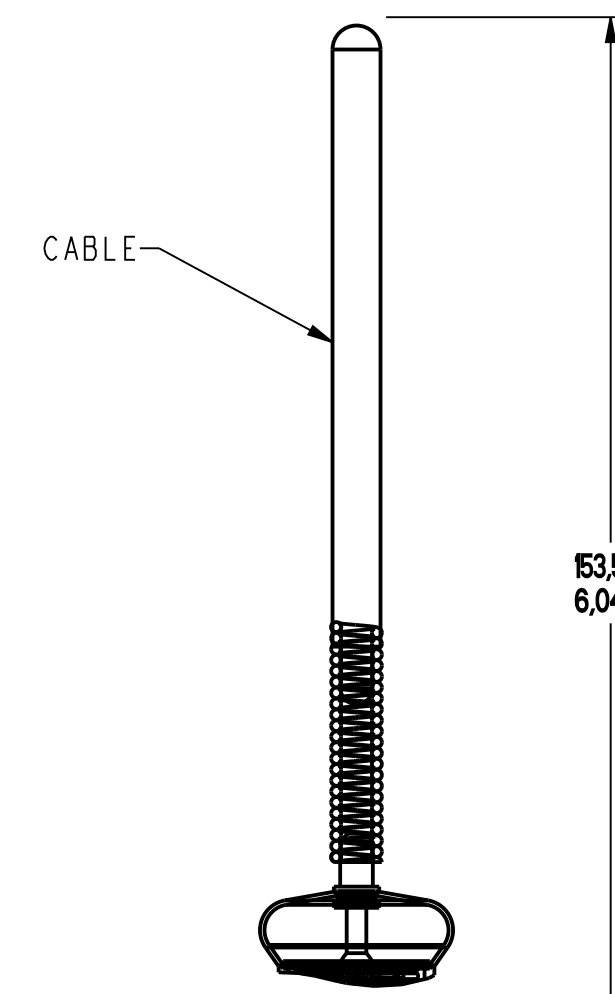


FIGURE 7E - CABLE WOBBLE ACTUATOR, OTHERWISE SAME AS FIGURE 7



MGL SERIES CHART 1
 DRAWING NUMBER
 3 OF 13
 RELEASE NO. PR-21557
 REPLACES
 ISSUE
 15
 REVISIONS
 I 0000401
 JUN 63
 G 0027886
 20 JAN 64
 H 0023159
 07 AUG 66
 J 0037216
 08 FEB 68
 K 0043629
 15 FEB 68
 L 0048605
 07 FEB 69
 M 0070059
 05 OCT 70
 S. A. V. MAY 66
 S. A. V. MAY 69
 P.T.C./CAD
 DRAWN
 CHECKED
 S. A. V. MAY 66
 S. A. V. MAY 69

THIS DRAWING COVERS A PROPRIETARY ITEM AND IS THE PROPERTY OF MICRO SWITCH, A DIVISION OF HONEYWELL. THIS DRAWING IS NOT TO BE COPIED OR USED WITHOUT THE APPROVAL OF MICRO SWITCH. FED. MFG. CODE 91929		CATALOG LISTING SWITCH, ENCLOSED GL SERIES CHART 1	
MICRO SWITCH a Honeywell Division		DESIGN UNITS SI METRIC <input checked="" type="checkbox"/> US CUSTOMARY <input type="checkbox"/>	
TOLERANCES APPLY TO DESIGN UNITS. CONVERSIONS ARE ONLY FOR REFERENCE. UNLESS NOTED, TOLERANCES ARE: NO PLACES ±.125 ONE PLACE ±.015 TWO PLACES ±.005 THREE PLACES ±.0025 ANGLES ±2°		THIRD ANGLE PROJECTION SCALE 1:1 DO NOT SCALE PRINT TOLERANCES APPLY TO DESIGN UNITS. CONVERSIONS ARE ONLY FOR REFERENCE. UNLESS NOTED, TOLERANCES ARE: DIM. ±.125 DIM. ±.015 DIM. ±.005 DIM. ±.0025 ANGLES ±2°	
WEIGHT		WEIGHT	

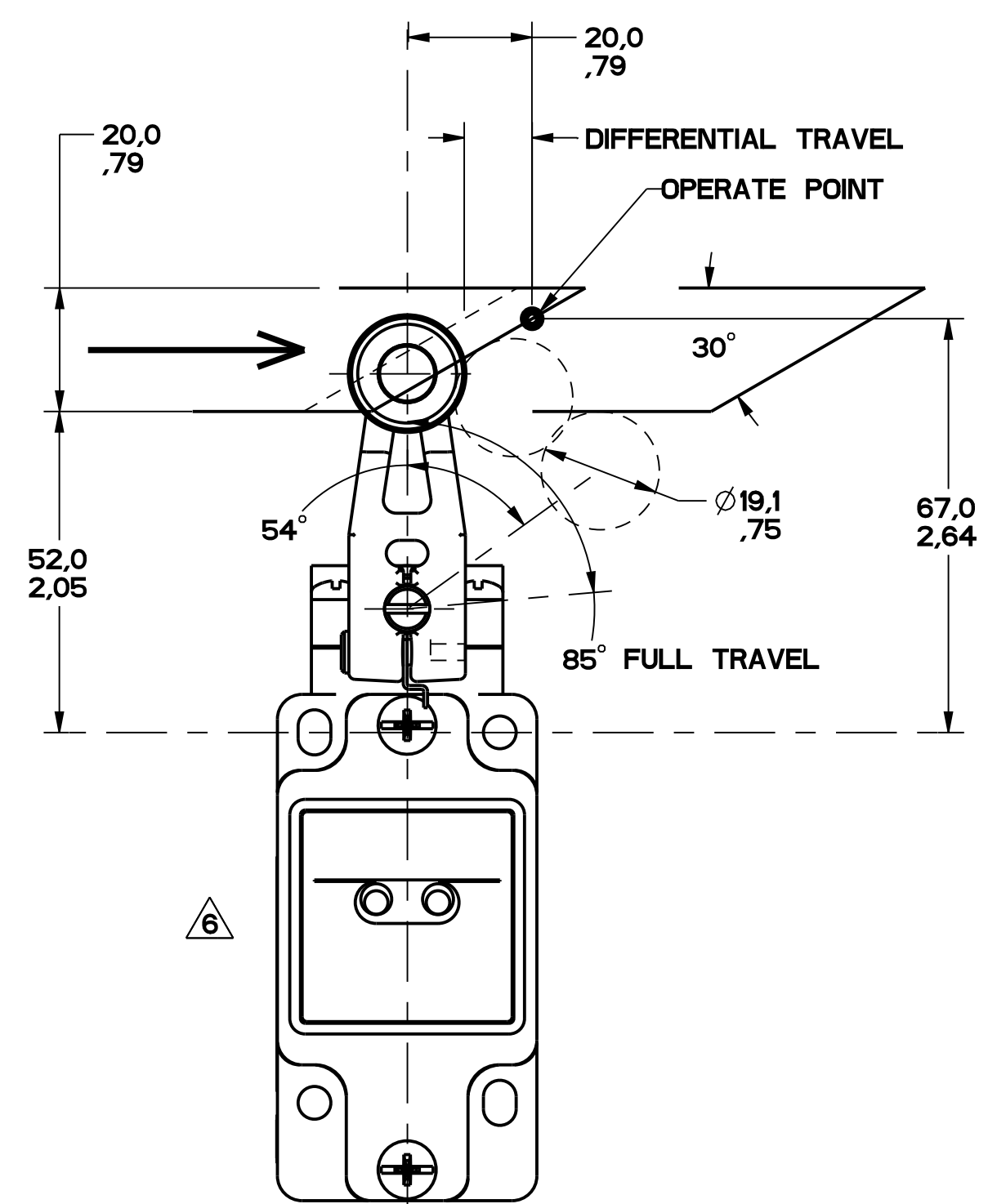


FIGURE 8

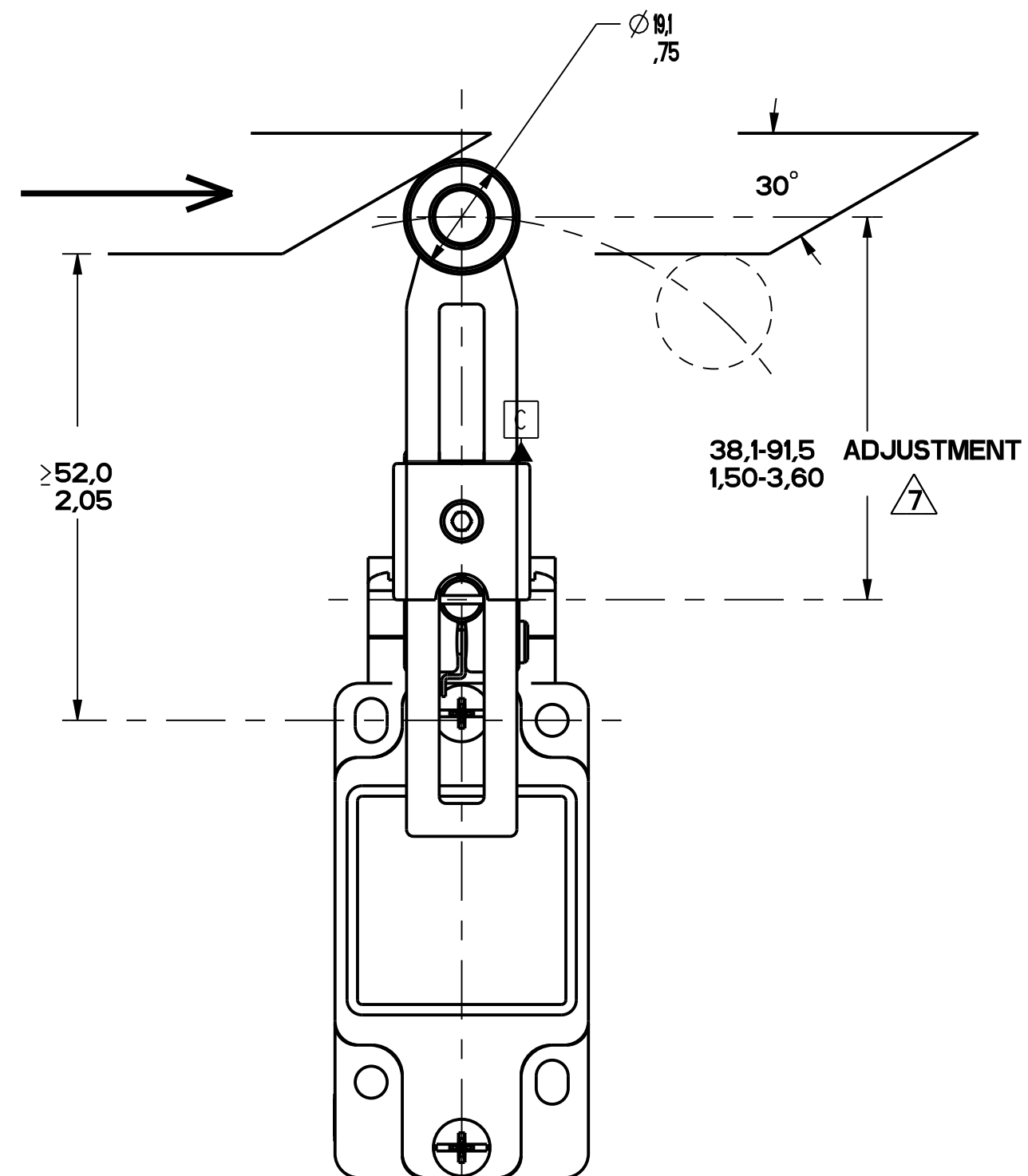


FIGURE 9

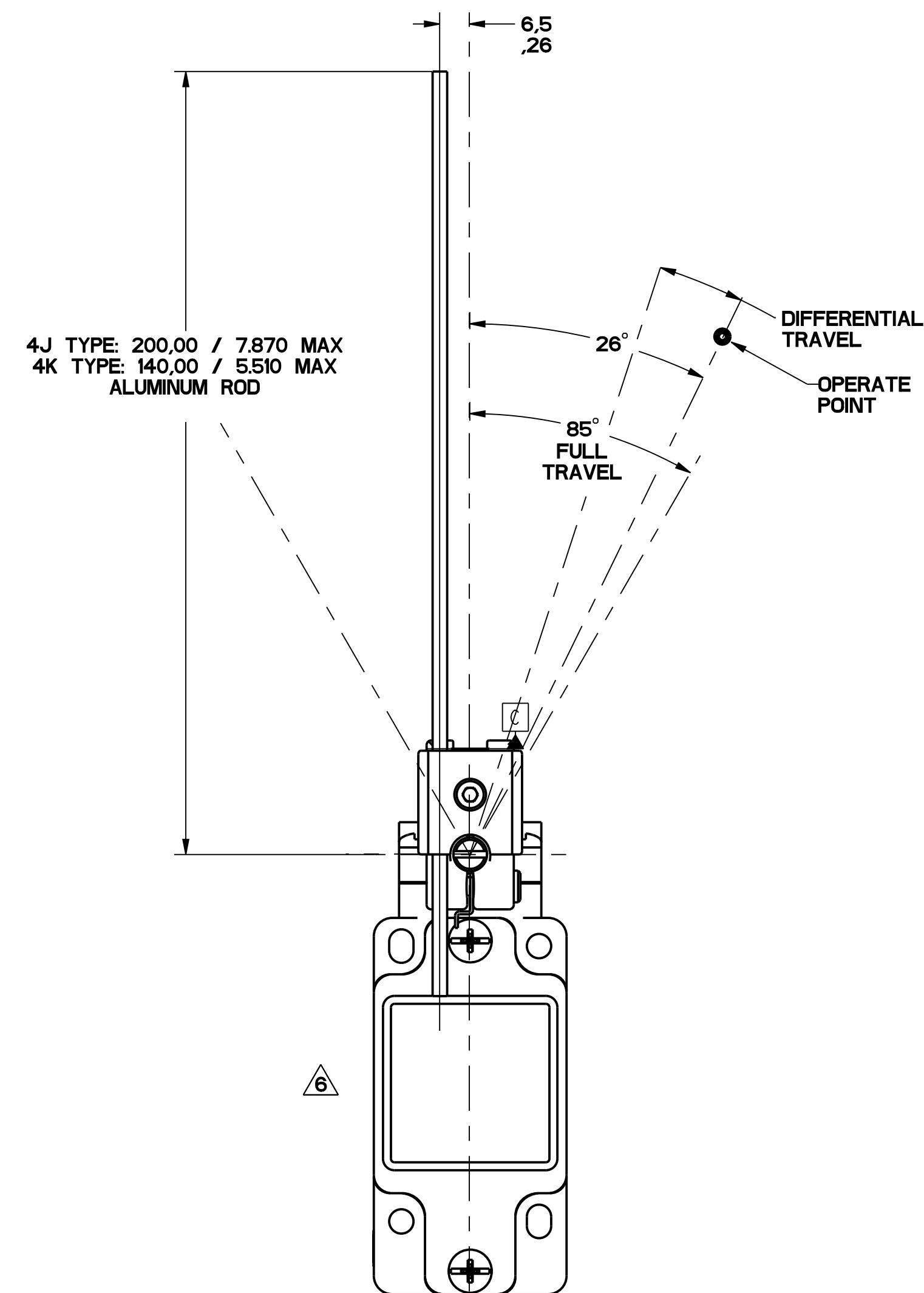


FIGURE 10

MGL SERIES CHART 1
 DRAWING NUMBER: 4 OF 13
 RELEASE NO. PR-20782
 REVISIONS:
 I 0000461
 J 01 JUN 63
 K 0007886
 L 20 JAN 64
 M 0023759
 N 07 AUG 66
 O 0037216
 P 0818088
 Q 0043629
 R 155708
 S 0048605
 T 007800
 U 0078059
 V 0000110
 PTC/CAD
 S. A. V. 27 MAR 66
 DVM
 check

THIS DRAWING COVERS A PROPRIETARY ITEM AND IS THE PROPERTY OF MICRO SWITCH, A DIVISION OF HONEYWELL. THIS DRAWING IS NOT TO BE COPIED OR USED WITHOUT THE APPROVAL OF MICRO SWITCH. FED. MFG. CODE 91929		CATALOG LISTING	
MICRO SWITCH a Honeywell Division		SWITCH, ENCLOSED	
DESIGN UNITS: <input checked="" type="checkbox"/> SI METRIC <input type="checkbox"/> US CUSTOMARY		GL SERIES CHART 1	
TOLERANCES APPLY TO DESIGN UNITS. CONVERSIONS ARE ONLY FOR REFERENCE. UNLESS NOTED, TOLERANCES ARE:		THIRD ANGLE PROJECTION DO NOT SCALE PRINT	
NO. PLACES	TOL.	NO. PLACES	TOL.
ONE PLACE	±.04	TWO PLACES	±.01
TWO PLACES	±.01	THREE PLACES	±.005
THREE PLACES	±.0025	ANGLES	±2'
WEIGHT		WEIGHT	

FIGURES 8, 9, 10 SIDE ROTARY HEAD, ANGULAR ACTUATION

CATALOG LISTING	CONTACT BLOCK DIAGRAM	NOMINAL TRAVELS AND RELATED TERMINALS ■ - CONTACT CLOSED, □ - CONTACT OPEN, ▨ - CONTACT CLOSED DIFFERENTIAL TRAVEL, ** POSITIVE OPENING TO IEC 947-5-1	MAXIMUM OPERATING TORQUE N-m LB-IN	MAXIMUM DISCONNECT TORQUE N-m LB-IN	MAX OPERATE DEGREE/S	MIN OPERATE DEGREE/S	MAX OPERATE FREQUENCY OPS/MIN
GL**01A GL**07A	SNAP - ACTION CONTACTS SINGLE POLE 		$\frac{.330}{2.9}$	$\frac{.385}{3.4}$	1290	13	250
GL**03A GL**33A	SLOW ACTING BREAK BEFORE MAKE 		$\frac{.330}{2.9}$	$\frac{.385}{3.4}$	1290	13	250
GL**04A GL**34A	SLOW ACTING MAKE BEFORE BREAK 		$\frac{.330}{2.9}$	$\frac{.400}{3.5}$	1290	13	250
GL**05A GL**35A	SLOW ACTING 		$\frac{.330}{2.9}$	$\frac{.385}{3.4}$	1290	13	250
GL**06A GL**36A	SLOW ACTING 		$\frac{.330}{2.9}$	$\frac{.385}{3.4}$	1290	13	250
GL**20A GL**22A GL**24A GL**32A	SNAP ACTION CONTACTS DOUBLE POLE 		$\frac{.330}{2.9}$	$\frac{.385}{3.4}$	1290	13	250
GL**21A GL**25A GL**28A GL**31A	SNAP ACTION CONTACTS DOUBLE POLE SEQUENTIAL 		$\frac{.330}{2.9}$	N/A	1290	13	250

SIDE ROTARY HEAD, CAM ACTUATION PER EN50041, FIGURES 8 AND 9

CATALOG LISTING	CONTACT BLOCK DIAGRAM	NOMINAL TRAVELS AND RELATED TERMINALS ■ - CONTACT CLOSED, □ - CONTACT OPEN, ▨ - CONTACT CLOSED DIFFERENTIAL TRAVEL, ** POSITIVE OPENING TO IEC 947-5-1 DIMENSIONS IN mm	MAXIMUM OPERATING FORCE N LB	MAXIMUM DISCONNECT FORCE N LB	MAX OPERATE VEL M/S IN/S	MIN OPERATE VEL mm/S IN/S	MAX OPERATE FREQUENCY OPS/MIN
GL**01A GL**07A	SNAP - ACTION CONTACTS SINGLE POLE 		$\frac{9.7}{2.2}$	$\frac{11.4}{2.6}$	$\frac{.85}{33.5}$	$\frac{8.5}{.33}$	250
GL**03A GL**33A	SLOW ACTING BREAK BEFORE MAKE 		$\frac{9.7}{2.2}$	$\frac{11.4}{2.6}$	$\frac{.85}{33.5}$	$\frac{8.5}{.33}$	250
GL**04A GL**34A	SLOW ACTING MAKE BEFORE BREAK 		$\frac{9.7}{2.2}$	$\frac{11.4}{2.6}$	$\frac{.85}{33.5}$	$\frac{8.5}{.33}$	250
GL**05A GL**35A	SLOW ACTING 		$\frac{9.7}{2.2}$	$\frac{11.4}{2.6}$	$\frac{.85}{33.5}$	$\frac{8.5}{.33}$	250
GL**06A GL**36A	SLOW ACTING 		$\frac{9.7}{2.2}$	$\frac{11.4}{2.6}$	$\frac{.85}{33.5}$	$\frac{8.5}{.33}$	250
GL**20A GL**22A GL**24A GL**32A	SNAP ACTION CONTACTS DOUBLE POLE 		$\frac{9.7}{2.2}$	$\frac{11.8}{2.7}$	$\frac{.85}{33.5}$	$\frac{8.5}{.33}$	250
GL**21A GL**25A GL**28A GL**31A	SNAP ACTION CONTACTS DOUBLE POLE SEQUENTIAL 		$\frac{9.7}{2.2}$	N/A	$\frac{.85}{33.5}$	$\frac{8.5}{.33}$	250
GL**26J GL**27J GL**29J GL**30J	SNAP ACTION CONTACTS DOUBLE POLE CENTER NEUTRAL 		$\frac{9.7}{2.2}$	N/A	$\frac{.85}{33.5}$	$\frac{8.5}{.33}$	250

MGL SERIES CHART 1
 DRAWING NUMBER: 5 OF 13
 RELEASE NO. PR-20782
 PTC/CAD
 W. L. S. 26AUG93
 G.H.
 CHECK
 15
 REVISIONS
 T 0000491
 J 00003
 G 0002986
 H 0023759
 J 0037216
 K 0043629
 L 0048605
 M 0078059
 ON 050C110
 26AUG93
 G.H.
 CHECK
 15
 REVISIONS
 T 0000491
 J 00003
 G 0002986
 H 0023759
 J 0037216
 K 0043629
 L 0048605
 M 0078059
 ON 050C110
 26AUG93
 G.H.
 CHECK

THIS DRAWING COVERS A PROPRIETARY ITEM AND IS THE PROPERTY OF MICRO SWITCH, A DIVISION OF HONEYWELL. THIS DRAWING IS NOT TO BE COPIED OR USED WITHOUT THE APPROVAL OF MICRO SWITCH.

FED. MFG. CODE 91929

MICRO SWITCH
a Honeywell Division

SWITCH, ENCLOSED

GL SERIES CHART 1

SI METRIC
DESIGN UNITS US CUSTOMARY

WEIGHT

THIRD ANGLE PROJECTION
SCALE -
DO NOT SCALE PRINT
TOLERANCES
APPLY TO DESIGN UNITS. CONVERSIONS ARE ONLY FOR REFERENCE. UNLESS NOTED, TOLERANCES ARE:
 DIM. INCH TOL. DIM. MM TOL. DIM. INCH TOL. DIM. MM TOL.
 NO. PLACES 0.001 0.001 0.001 0.001 0.001 0.001
 ONE PLACE 0.005 0.005 0.005 0.005 0.005 0.005
 TWO PLACES 0.01 0.01 0.01 0.01 0.01 0.01
 THREE PLACES 0.015 0.015 0.015 0.015 0.015 0.015
 ANGLES 0.15 0.15 0.15 0.15 0.15 0.15

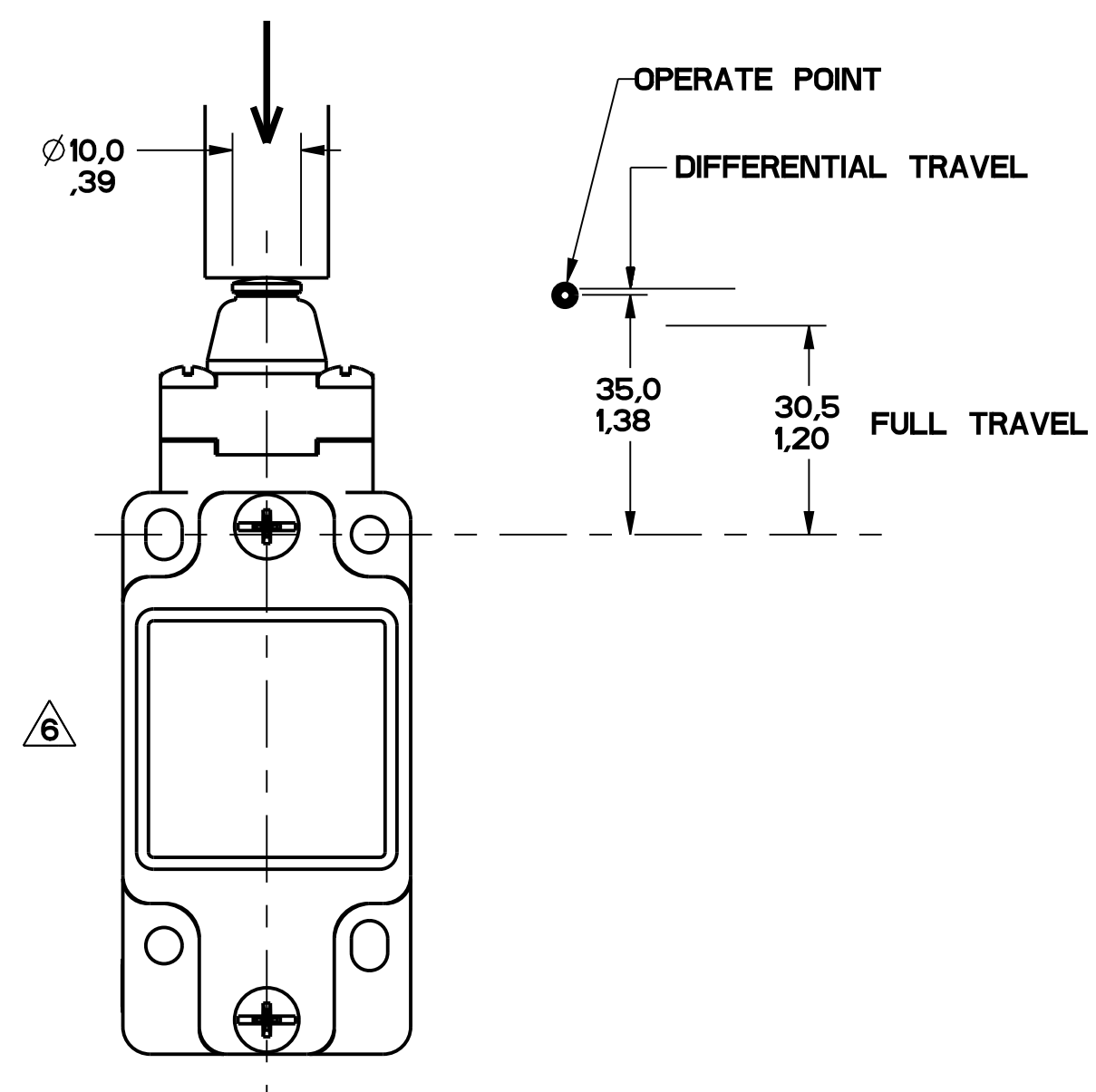


FIGURE 11

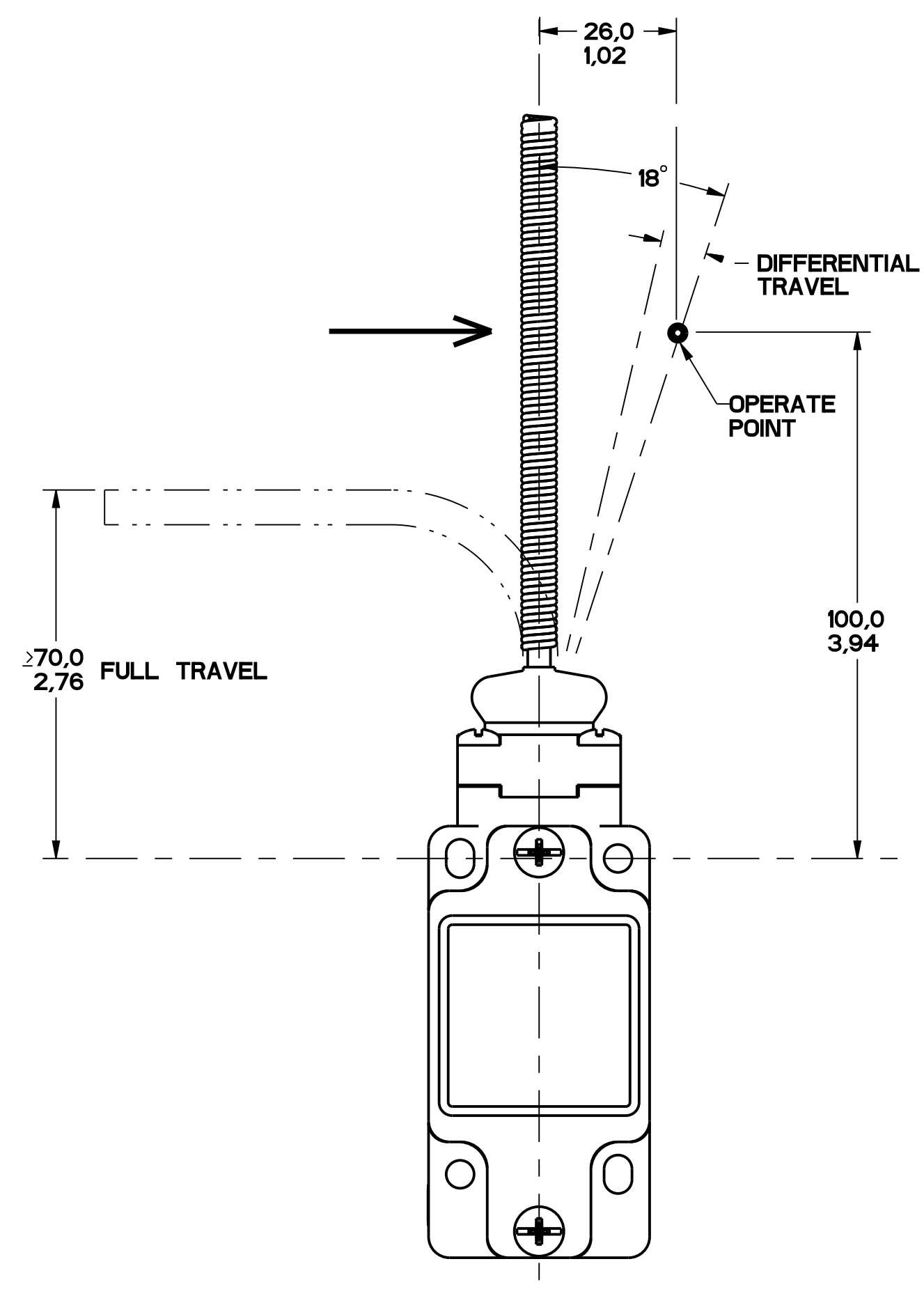


FIGURE 12

MGL SERIES CHART 1
PAGE 6 OF 13
RELEASE NO. PR-20782
REPLACES

ISSUE					
15					
REVISIONS					
F	0000461				
J	010003				
G	0002986				
H	0023759				
I	0716006				
J	0037216				
K	0043629				
L	0048605				
M	007800				
N	007800				
O	007800				
P	007800				
Q	007800				
R	007800				
S	007800				
T	007800				
U	007800				
V	007800				
W	007800				
X	007800				
Y	007800				
Z	007800				

THIS DRAWING COVERS A PROPRIETARY ITEM AND IS THE PROPERTY OF MICRO SWITCH, A DIVISION OF HONEYWELL. THIS DRAWING IS NOT TO BE COPIED OR USED WITHOUT THE APPROVAL OF MICRO SWITCH.		FED. MFG. CODE 91929		CATALOG LISTING	
MICRO SWITCH a Honeywell Division		SWITCH, ENCLOSED		GL SERIES CHART 1	
DESIGN UNITS WEIGHT		SI METRIC <input checked="" type="checkbox"/>		US CUSTOMARY <input type="checkbox"/>	
NO. PLACES	TOL.	NO. PLACES	TOL.	NO. PLACES	TOL.
ONE PLACES	±.04	TWO PLACES	±.04	THREE PLACES	±.04
FOUR PLACES	±.04	FIVE PLACES	±.04	SIX PLACES	±.04
SEVEN PLACES	±.04	EIGHT PLACES	±.04	NINE PLACES	±.04
TEN PLACES	±.04	ELEVEN PLACES	±.04	TWELVE PLACES	±.04
THIRTEEN PLACES	±.04	FOURTEEN PLACES	±.04	FIFTEEN PLACES	±.04
SIXTEEN PLACES	±.04	SEVENTEEN PLACES	±.04	EIGHTEEN PLACES	±.04
NINETEEN PLACES	±.04	TWENTY PLACES	±.04	TWENTY-ONE PLACES	±.04
TWENTY-TWO PLACES	±.04	TWENTY-THREE PLACES	±.04	TWENTY-FOUR PLACES	±.04
TWENTY-FIVE PLACES	±.04	TWENTY-SIX PLACES	±.04	TWENTY-EIGHT PLACES	±.04
THIRTY PLACES	±.04	THIRTY-ONE PLACES	±.04	THIRTY-TWO PLACES	±.04
THIRTY-THREE PLACES	±.04	THIRTY-FOUR PLACES	±.04	THIRTY-FIVE PLACES	±.04
THIRTY-SIX PLACES	±.04	THIRTY-SEVEN PLACES	±.04	THIRTY-EIGHT PLACES	±.04
THIRTY-NINE PLACES	±.04	FOURTY PLACES	±.04	FOURTY-ONE PLACES	±.04
FOURTY-TWO PLACES	±.04	FOURTY-THREE PLACES	±.04	FOURTY-FOUR PLACES	±.04
FOURTY-FIVE PLACES	±.04	FOURTY-SIX PLACES	±.04	FOURTY-SEVEN PLACES	±.04
FOURTY-EIGHT PLACES	±.04	FOURTY-NINE PLACES	±.04	FIFTY PLACES	±.04

FIGURES 11, PIN PLUNGER HEAD, LINEAR ACTUATION

CATALOG LISTING	CONTACT BLOCK DIAGRAM	NOMINAL TRAVELS AND RELATED TERMINALS ■ CONTACT CLOSED, □ CONTACT OPEN, ▨ CONTACT CLOSED DIFFERENTIAL TRAVEL, ** POSITIVE OPENING TO IEC 947-5-1	MAXIMUM OPERATING FORCE $\frac{N}{LB}$	MAXIMUM DISCONNECT FORCE $\frac{N}{LB}$	MAX OPERATE VEL $\frac{m/s}{in/s}$	MIN OPERATE VEL $\frac{mm/s}{in/s}$	MAX OPERATE FREQUENCY OPS/MIN
GL**01B GL**07B	SNAP - ACTION CONTACTS SINGLE POLE 	 0.9 DIFFERENTIAL TRAVEL	$\frac{16}{3.6}$	$\frac{27}{6.0}$	$\frac{0.1}{3.9}$	$\frac{1.0}{.04}$	250
GL**03B GL**33B	SLOW ACTING BREAK BEFORE MAKE 	 34	$\frac{16}{3.6}$	$\frac{27}{6.0}$	$\frac{0.1}{3.9}$	$\frac{1.0}{.04}$	250
GL**04B GL**34B	SLOW ACTING MAKE BEFORE BREAK 	 35	$\frac{16}{3.6}$	$\frac{27}{6.0}$	$\frac{0.1}{3.9}$	$\frac{1.0}{.04}$	250
GL**05B GL**35B	SLOW ACTING 		$\frac{16}{3.6}$	$\frac{27}{6.0}$	$\frac{0.1}{3.9}$	$\frac{1.0}{.04}$	250
GL**06B GL**36B	SLOW ACTING 		$\frac{16}{3.6}$	$\frac{27}{6.0}$	$\frac{0.1}{3.9}$	$\frac{1.0}{.04}$	250
GL**20B GL**22B GL**24B GL**32B	SNAP ACTION CONTACTS DOUBLE POLE 	 0.9 DIFFERENTIAL TRAVEL	$\frac{16}{3.6}$	$\frac{37}{8.2}$	$\frac{0.1}{3.9}$	$\frac{1.0}{.04}$	250
GL**21B GL**25B GL**28B GL**31B	STEP 1 STEP 2 SNAP ACTION CONTACTS DOUBLE POLE SEQUENTIAL 	 .8 DIFFERENTIAL TRAVEL	$\frac{16}{3.6}$	N/A	$\frac{0.1}{3.9}$	$\frac{1.0}{.04}$	250

FIGURE 12, WOBBLE HEAD, ANGULAR ACTUATION

CATALOG LISTING	CONTACT BLOCK DIAGRAM	NOMINAL TRAVELS AND RELATED TERMINALS ■ CONTACT CLOSED, □ CONTACT OPEN, ▨ CONTACT CLOSED DIFFERENTIAL TRAVEL, ** POSITIVE OPENING TO IEC 947-5-1	MAXIMUM OPERATING TORQUE $\frac{N\cdot m}{LB\cdot in}$	MAXIMUM DISCONNECT TORQUE $\frac{N\cdot m}{LB\cdot in}$	MAX OPERATE DEGREE/S	MIN OPERATE VELOCITY DEGREE/S	MAX OPERATE RATE CYCLES/MIN
GL**01E GL**07E	SNAP - ACTION CONTACTS SINGLE POLE 	 8° DIFFERENTIAL TRAVEL	$\frac{0.2}{1.8}$	N/A	360	8	100
GL**03E GL**33E	SLOW ACTING BREAK BEFORE MAKE 		$\frac{0.2}{1.8}$	N/A	360	8	100
GL**04E GL**34E	SLOW ACTING MAKE BEFORE BREAK 		$\frac{0.2}{1.8}$	N/A	360	8	100
GL**05E GL**35E	SLOW ACTING 		$\frac{0.2}{1.8}$	N/A	360	8	100
GL**06E GL**36E	SLOW ACTING 		$\frac{0.2}{1.8}$	N/A	360	8	100
GL**20E GL**22E GL**24E GL**32E	SNAP ACTION CONTACTS DOUBLE POLE 	 8° DIFFERENTIAL TRAVEL	$\frac{0.2}{1.8}$	N/A	360	8	100

FIGURE 12, WOBBLE HEAD, SIDE ACTUATION AT 100mm

CATALOG LISTING	CONTACT BLOCK DIAGRAM	NOMINAL TRAVELS AND RELATED TERMINALS ■ CONTACT CLOSED, □ CONTACT OPEN, ▨ CONTACT CLOSED DIFFERENTIAL TRAVEL, ** POSITIVE OPENING TO IEC 947-5-1	MAXIMUM OPERATING FORCE $\frac{N}{LB}$	MAXIMUM DISCONNECT FORCE $\frac{N}{LB}$	MAX OPERATE VEL $\frac{m/s}{in/s}$	MIN OPERATE VEL $\frac{mm/s}{in/s}$	MAX OPERATE FREQUENCY OPS/MIN
GL**01E GL**07E	SNAP - ACTION CONTACTS SINGLE POLE 	 12 DIFFERENTIAL TRAVEL	$\frac{2.5}{0.6}$	N/A	$\frac{.5}{19.7}$	$\frac{11}{.43}$	100
GL**03E GL**33E	SLOW ACTING BREAK BEFORE MAKE 		$\frac{2.5}{0.6}$	N/A	$\frac{.5}{19.7}$	$\frac{11}{.43}$	100
GL**04E GL**34E	SLOW ACTING MAKE BEFORE BREAK 		$\frac{2.5}{0.6}$	N/A	$\frac{.5}{19.7}$	$\frac{11}{.43}$	100
GL**05E GL**35E	SLOW ACTING 		$\frac{2.5}{0.6}$	N/A	$\frac{.5}{19.7}$	$\frac{11}{.43}$	100
GL**06E GL**36E	SLOW ACTING 		$\frac{2.5}{0.6}$	N/A	$\frac{.5}{19.7}$	$\frac{11}{.43}$	100
GL**20E GL**22E GL**24E GL**32E	SNAP ACTION CONTACTS DOUBLE POLE 		$\frac{2.5}{0.6}$	N/A	360	8	100

MGL SERIES CHART 1
 DRAWING NUMBER: 20 AUG 93
 CHECK: CMH
 PTC/CAD: W.L.S.
 20 AUG 93
 15
 RELEASE NO. PR-20782
 7 OF 13
 05 OCT 10
 REVISIONS:
 F 0000461
 G 01 JUN 93
 G 0027886
 H 0023759
 H 07 AUG 96
 J 0037216
 K 0043629
 L 0048605
 M 0078800
 M 0078859
 N 05 OCT 10

THIRD ANGLE PROJECTION

 SCALE: -
 DO NOT SCALE PRINT
 TOLERANCES:
 APPLY TO DESIGN UNITS. CONVERSIONS ARE ONLY FOR REFERENCE. UNLESS NOTED, TOLERANCES ARE:

NO PLACES	±.04	±.1	±.0015
ONE PLACE	±.04	±.1	±.0015
TWO PLACES	±.04	±.1	±.0015
THREE PLACES	±.04	±.1	±.0015

 ANGLE ±.2°
 DESIGN UNITS: SI METRIC US CUSTOMARY
 WEIGHT: -

THIS DRAWING COVERS A PROPRIETARY ITEM AND IS THE PROPERTY OF MICRO SWITCH, A DIVISION OF HONEYWELL. THIS DRAWING IS NOT TO BE COPIED OR USED WITHOUT THE APPROVAL OF MICRO SWITCH.
 FED. MFG. CODE 91929
MICRO SWITCH
 a Honeywell Division
 SWITCH, ENCLOSED
 CATALOG LISTING
GL SERIES CHART 1
 SI METRIC US CUSTOMARY

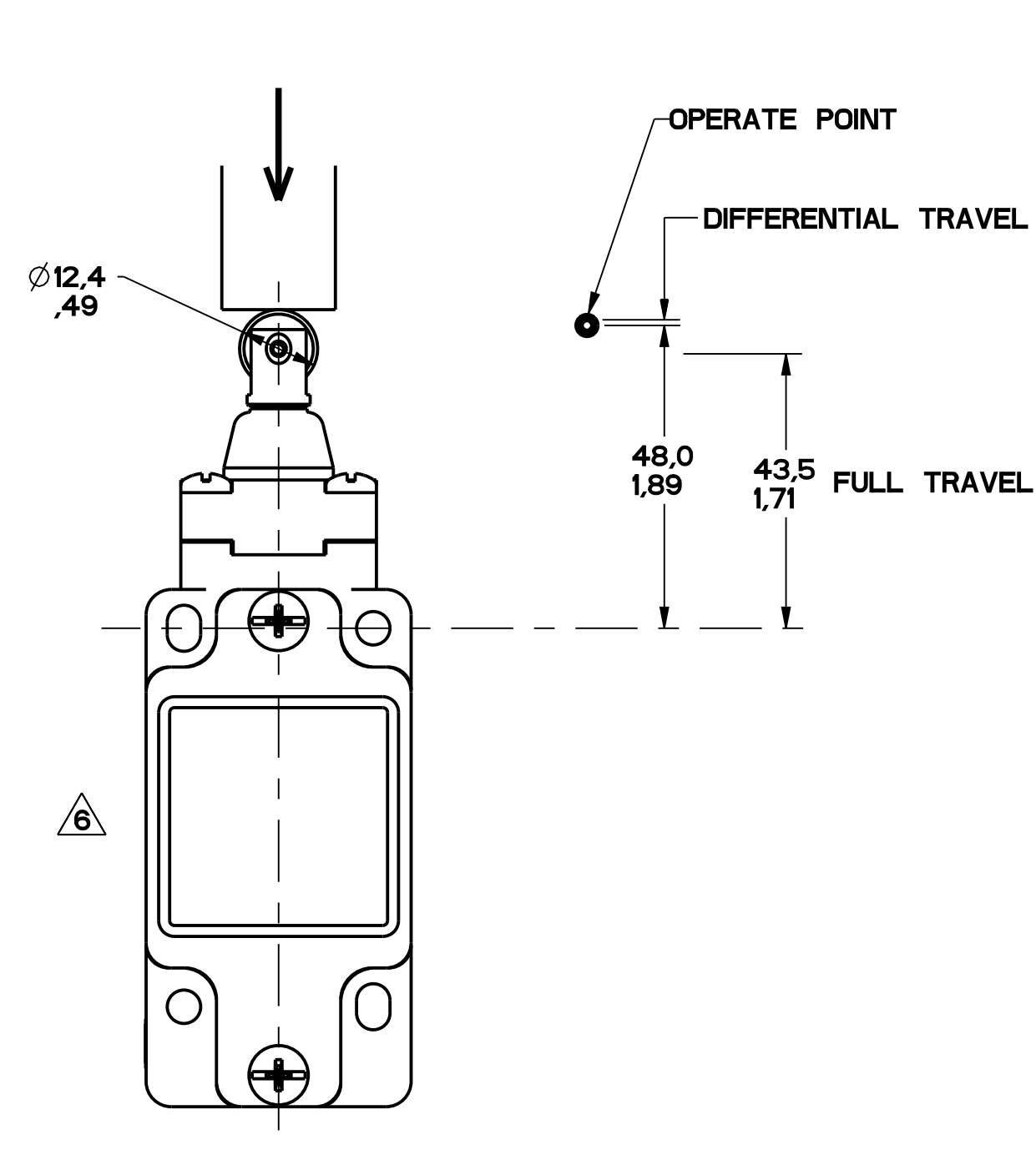


FIGURE 13A

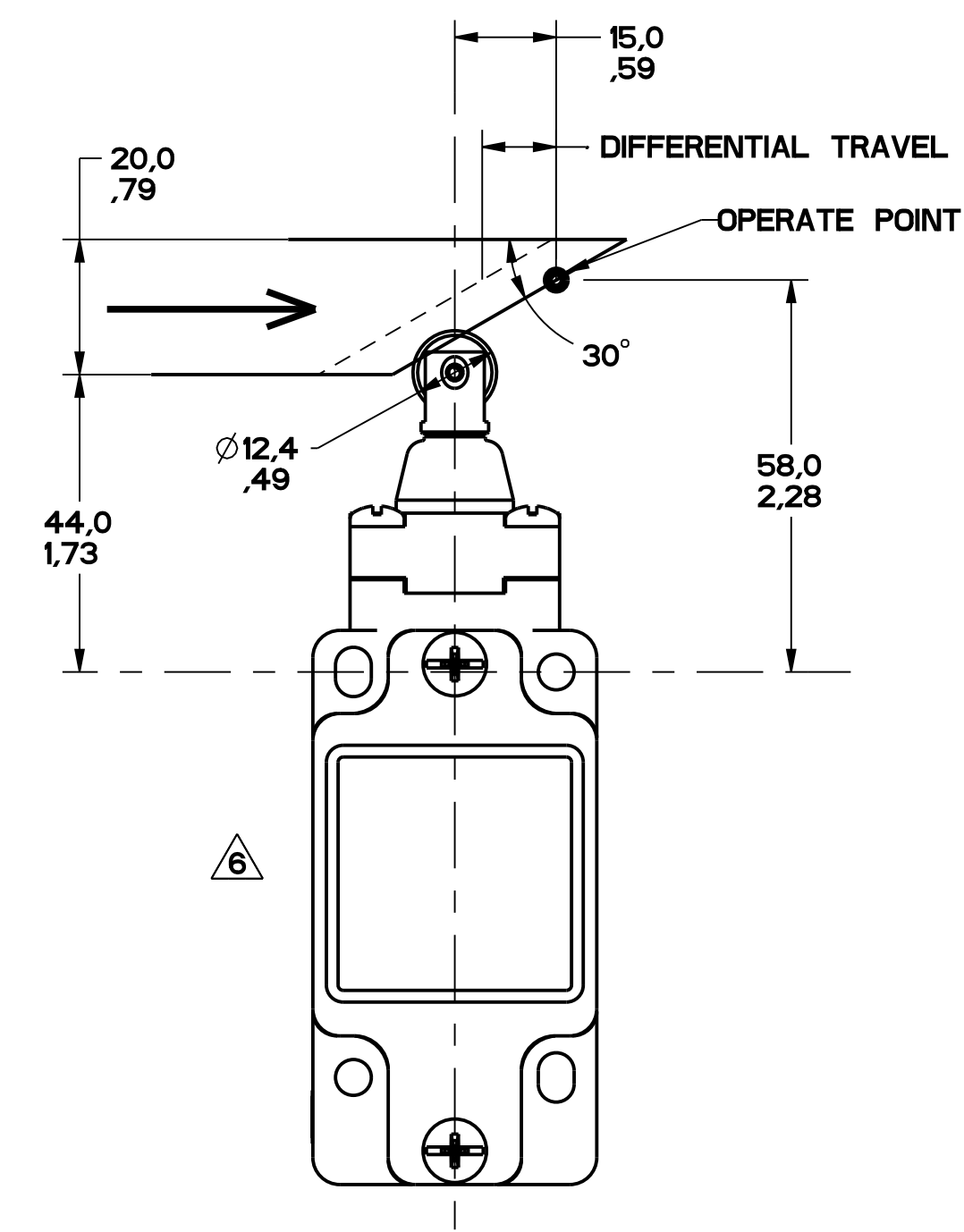


FIGURE 13B

MGL SERIES CHART 1
 DRAWING NUMBER: 8 OF 13
 RELEASE NO. PR-20782
 REPLACES:

REV	DATE	BY	CHKD	DESCRIPTION
15				
14				
13				
12				
11				
10				
9				
8				
7				
6				
5				
4				
3				
2				
1				

THIS DRAWING COVERS A PROPRIETARY ITEM AND IS THE PROPERTY OF MICRO SWITCH, A DIVISION OF HONEYWELL. THIS DRAWING IS NOT TO BE COPIED OR USED WITHOUT THE APPROVAL OF MICRO SWITCH.		FEDERAL MFG. CODE 91929	
MICRO SWITCH a Honeywell Division		CATALOG LISTING	
SWITCH, ENCLOSED		GL SERIES CHART 1	
DESIGN UNITS: <input checked="" type="checkbox"/> SI METRIC <input type="checkbox"/> US CUSTOMARY		TOLERANCES: UNLESS NOTED, TOLERANCES ARE:	
DIM. UNITS: X.1X DIM. UNITS: X.1X DIM. UNITS: X.1X DIM. UNITS: X.1X	DIM. UNITS: X.1X DIM. UNITS: X.1X DIM. UNITS: X.1X DIM. UNITS: X.1X	DIM. UNITS: X.1X DIM. UNITS: X.1X DIM. UNITS: X.1X DIM. UNITS: X.1X	DIM. UNITS: X.1X DIM. UNITS: X.1X DIM. UNITS: X.1X DIM. UNITS: X.1X
WEIGHT:		THIRD ANGLE PROJECTION	

FIGURE 13A, ROLLER PLUNGER HEAD, PIN ACTUATION

CATALOG LISTING	CONTACT BLOCK DIAGRAM	NOMINAL TRAVELS AND RELATED TERMINALS ■ CONTACT CLOSED, □ CONTACT OPEN, ▨ CONTACT CLOSED DIFFERENTIAL TRAVEL, ** POSITIVE OPENING TO IEC 947-5-1	MAXIMUM OPERATING FORCE $\frac{N}{LB}$	MAXIMUM DISCONNECT FORCE $\frac{N}{LB}$	MAX OPERATE VEL $\frac{M}{S}$ $\frac{IN}{S}$	MIN OPERATE VEL $\frac{MM}{S}$ $\frac{IN}{S}$	MAX OPERATE FREQUENCY OPS/MIN
GL**01C GL**07C	SNAP - ACTION CONTACTS SINGLE POLE 	50.5 48 46** 43.5 21-22 13-14 0.9 DIFFERENTIAL TRAVEL	$\frac{16}{3.6}$	$\frac{27}{6.0}$	$\frac{0.1}{3.9}$	$\frac{1.0}{.04}$	250
GL**03C GL**33C	SLOW ACTING BREAK BEFORE MAKE 	50.5 48** 43.5 21-22 13-14 47	$\frac{16}{3.6}$	$\frac{27}{6.0}$	$\frac{0.1}{3.9}$	$\frac{1.0}{.04}$	250
GL**04C GL**34C	SLOW ACTING MAKE BEFORE BREAK 	50.5 47** 43.5 21-22 13-14 48	$\frac{16}{3.6}$	$\frac{27}{6.0}$	$\frac{0.1}{3.9}$	$\frac{1.0}{.04}$	250
GL**05C GL**35C	SLOW ACTING 	50.5 47 43.5 13-14 23-24	$\frac{16}{3.6}$	$\frac{27}{6.0}$	$\frac{0.1}{3.9}$	$\frac{1.0}{.04}$	250
GL**06C GL**36C	SLOW ACTING 	50.5 48** 43.5 11-12 21-22	$\frac{16}{3.6}$	$\frac{27}{6.0}$	$\frac{0.1}{3.9}$	$\frac{1.0}{.04}$	250
GL**20C GL**22C GL**24C GL**32C	SNAP ACTION CONTACTS DOUBLE POLE 	50.5 48 46** 43.5 11-12, 21-22 13-14, 23-24 0.9 DIFFERENTIAL TRAVEL	$\frac{16}{3.6}$	$\frac{37}{8.2}$	$\frac{0.1}{3.9}$	$\frac{1.0}{.04}$	250
GL**21C GL**25C GL**28C GL**31C	STEP 1 STEP 2 SNAP ACTION CONTACTS DOUBLE POLE SEQUENTIAL 	50.5 48 46.8 43.5 11-12 13-14 21-22 23-24 .8 DIFFERENTIAL TRAVEL .8 DIFFERENTIAL TRAVEL	$\frac{16}{3.6}$	N/A	$\frac{0.1}{3.9}$	$\frac{1.0}{.04}$	250

FIGURE 13B, TOP ROLLER PLUNGER HEAD, CAM ACTUATION PER EN50041

CATALOG LISTING	CONTACT BLOCK DIAGRAM	NOMINAL TRAVELS AND RELATED TERMINALS ■ CONTACT CLOSED, □ CONTACT OPEN, ▨ CONTACT CLOSED DIFFERENTIAL TRAVEL, ** POSITIVE OPENING TO IEC 947-5-1	MAXIMUM OPERATING FORCE $\frac{N}{LB}$	MAXIMUM DISCONNECT FORCE $\frac{N}{LB}$	MAX OPERATE VEL $\frac{M}{S}$ $\frac{IN}{S}$	MIN OPERATE VEL $\frac{MM}{S}$ $\frac{IN}{S}$	MAX OPERATE FREQUENCY OPS/MIN
GL**01C GL**07C	SNAP - ACTION CONTACTS SINGLE POLE 	0 15 18.3** 21-22 13-14 1.8 DIFFERENTIAL TRAVEL	$\frac{9.3}{2.1}$	$\frac{15.6}{3.5}$	$\frac{0.17}{6.7}$	$\frac{1.7}{.067}$	250
GL**03C GL**33C	SLOW ACTING BREAK BEFORE MAKE 	0 15** 21-22 13-14 16.8	$\frac{9.3}{2.1}$	$\frac{15.6}{3.5}$	$\frac{0.17}{6.7}$	$\frac{1.7}{.067}$	250
GL**04C GL**34C	SLOW ACTING MAKE BEFORE BREAK 	0 16.8** 21-22 13-14 15	$\frac{9.3}{2.1}$	$\frac{15.6}{3.5}$	$\frac{0.17}{6.7}$	$\frac{1.7}{.067}$	250
GL**05C GL**35C	SLOW ACTING 	0 16.8 13-14 23-24	$\frac{9.3}{2.1}$	$\frac{15.6}{3.5}$	$\frac{0.17}{6.7}$	$\frac{1.7}{.067}$	250
GL**06C GL**36C	SLOW ACTING 	0 15** 21-22 13-14	$\frac{9.3}{2.1}$	$\frac{15.6}{3.5}$	$\frac{0.17}{6.7}$	$\frac{1.7}{.067}$	250
GL**20C GL**22C GL**24C GL**32C	SNAP ACTION CONTACTS DOUBLE POLE 	0 15 18.3** 11-12, 21-22 13-14, 23-24 1.8 DIFFERENTIAL TRAVEL	$\frac{9.3}{2.1}$	$\frac{21.4}{4.8}$	$\frac{0.17}{6.7}$	$\frac{1.7}{.067}$	250
GL**21C GL**25C GL**28C GL**31C	STEP 1 STEP 2 SNAP ACTION CONTACTS DOUBLE POLE SEQUENTIAL 	0 15 16.9 11-12 13-14 21-22 23-24 1.4 DIFFERENTIAL TRAVEL 1.4 DIFFERENTIAL TRAVEL	$\frac{9.3}{2.1}$	N/A	$\frac{0.17}{6.7}$	$\frac{1.7}{.067}$	250

MGL SERIES CHART 1
 DRAWING NUMBER 9 OF 13
 RELEASE NO. PR-20782
 PTC/CAD
 W. L. S. OSMARO
 SAV
 CHECK
 CMH
 05 OCT 10
 REVISIONS
 F 0000491
 G 01 JUN 03
 G 0007886
 H 0023759
 J 0037216
 K 0043629
 L 0048605
 M 0078059
 ON 05 OCT 10

THIRD ANGLE PROJECTION

SCALE -

DO NOT SCALE PRINT

TOLERANCES
 APPLY TO DESIGN UNITS. CONCESSIONS ARE ONLY FOR REFERENCE UNLESS NOTED. TOLERANCES ARE:

NO. PLACES	FR	IN	FR	IN
ONE PLACES	±.1	±.005	±.1	±.005
TWO PLACES	±.01	±.0005	±.01	±.0005
THREE PLACES	±.001	±.0001	±.001	±.0001

DESIGN UNITS SI METRIC US CUSTOMARY

WEIGHT

THIS DRAWING COVERS A PROPRIETARY ITEM AND IS THE PROPERTY OF MICRO SWITCH, A DIVISION OF HONEYWELL. THIS DRAWING IS NOT TO BE COPIED OR USED WITHOUT THE APPROVAL OF MICRO SWITCH.

FED. MFG. CODE 91929

CATALOG LISTING

MICRO SWITCH
a Honeywell Division

SWITCH, ENCLOSED

GL SERIES CHART 1

SI METRIC US CUSTOMARY

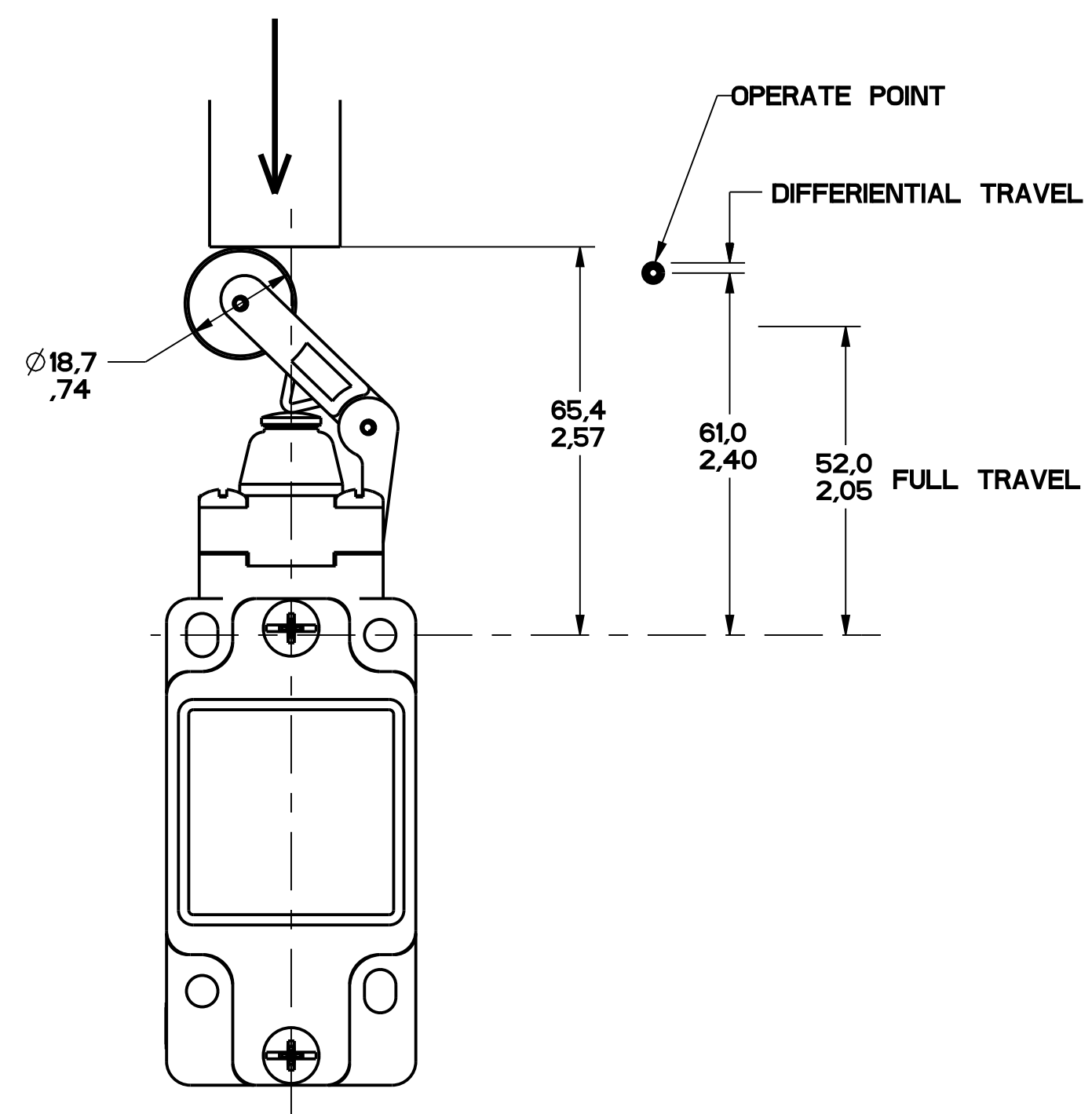


FIGURE 14A

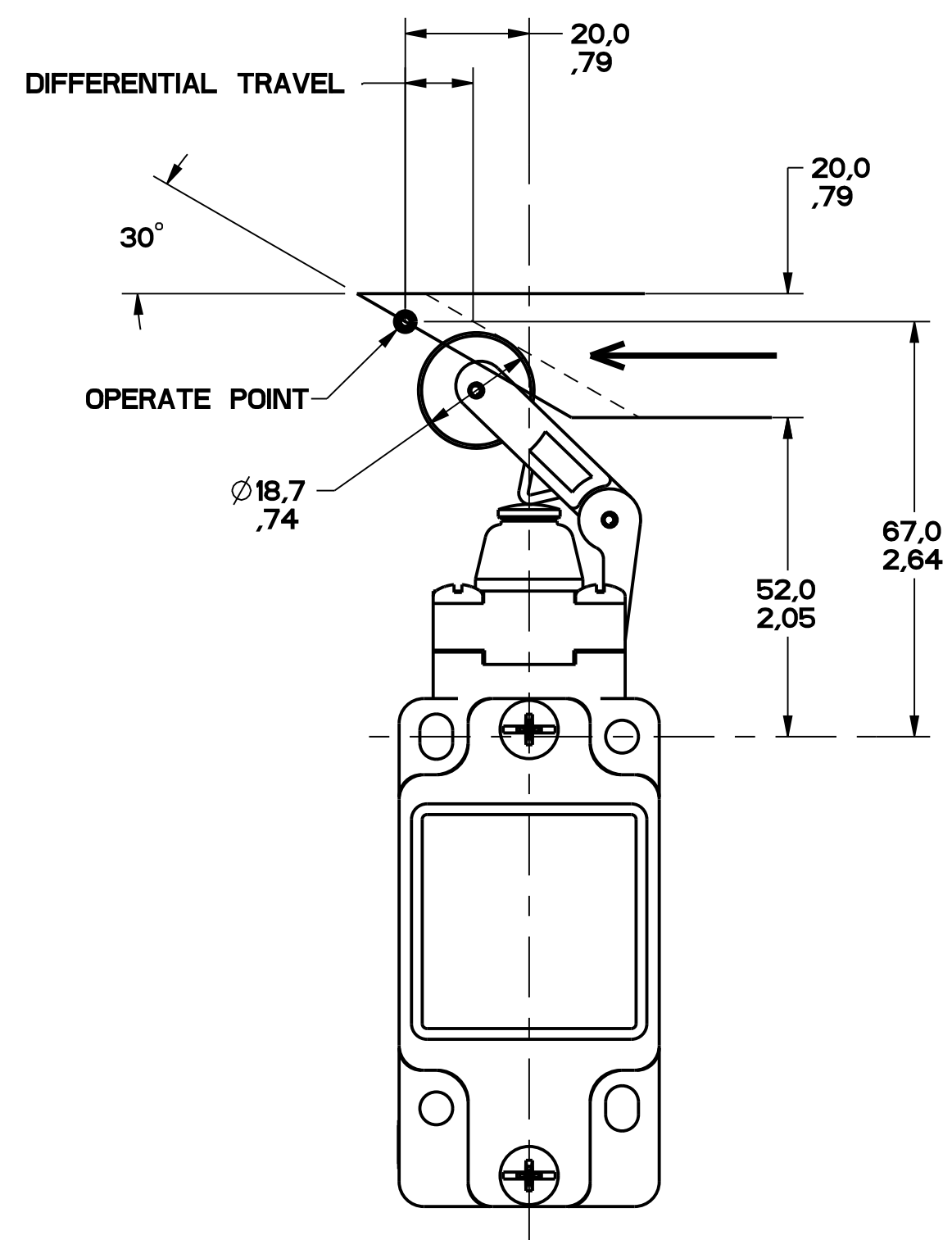


FIGURE 14B

MGL SERIES CHART 1
 DRAWING NUMBER
 15
 ISSUE
 PTC/CAD 3D
 DRAWN
 G.H. 02MARC01
 CHECK
 SAV
 02MARC01
 CHECK
 CMH
 05OCT10
 CHECK
 L
 0448605
 155100
 K
 0043629
 CHECK
 J
 0037216
 07AUG06
 H
 0023759
 20JAN04
 G
 0002986
 2 JUN03
 F
 0000441
 05OCT10
 REVISIONS
 RELEASE NO. -
 10 OF 13
 REPLACES -

THIS DRAWING COVERS A PROPRIETARY ITEM AND IS THE PROPERTY OF MICRO SWITCH, A DIVISION OF HONEYWELL. THIS DRAWING IS NOT TO BE COPIED OR USED WITHOUT THE APPROVAL OF MICRO SWITCH. FED. MFG. CODE 91929 MICRO SWITCH a Honeywell Division		CATALOG LISTING SWITCH, ENCLOSED GL SERIES CHART 1	
DESIGN UNITS SI METRIC <input checked="" type="checkbox"/> US CUSTOMARY <input type="checkbox"/>		TOLERANCES APPLY TO DESIGN UNITS. CONCESSIONS ARE ONLY FOR REFERENCE, UNLESS NOTED. TOLERANCES ARE: DIM. TOL. DIM. TOL. NO. PLACES X .04 .1 ONE PLACE X .1 0.0154 TWO PLACES X .01 0.151/206 THREE PLACES X .005 ±.2° ANGLES ±.2°	
WEIGHT		THIRD ANGLE PROJECTION	
SCALE 1:1		DO NOT SCALE PRINT	

FIGURE 14A, TOP ROLLER LEVER HEAD WITH PIN ACTUATION

CATALOG LISTING	CONTACT BLOCK DIAGRAM	NOMINAL TRAVELS AND RELATED TERMINALS <small>■ - CONTACT CLOSED, □ - CONTACT OPEN, ▨ - CONTACT CLOSED DIFFERENTIAL TRAVEL, ** POSITIVE OPENING TO IEC 947-5-1</small>	MAXIMUM OPERATING FORCE $\frac{N}{LB}$	MAXIMUM DISCONNECT FORCE $\frac{N}{LB}$	MAX OPERATE VEL $\frac{M/S}{IN/S}$	MIN OPERATE VEL $\frac{M/S}{IN/S}$	MAX OPERATE FREQUENCY OPS/MIN
GL**01D GL**07D	SNAP - ACTION CONTACTS SINGLE POLE 	 1.7 DIFFERENTIAL TRAVEL	$\frac{9.5}{2.1}$	$\frac{12}{2.7}$	$\frac{0.17}{6.7}$	$\frac{1.7}{.067}$	250
GL**03D GL**33D	SLOW ACTING BREAK BEFORE MAKE 	 59.1	$\frac{9.5}{2.1}$	$\frac{12}{2.7}$	$\frac{0.17}{6.7}$	$\frac{1.7}{.067}$	250
GL**04D GL**34D	SLOW ACTING MAKE BEFORE BREAK 	 61	$\frac{9.5}{2.1}$	$\frac{12}{2.7}$	$\frac{0.17}{6.7}$	$\frac{1.7}{.067}$	250
GL**05D GL**35D	SLOW ACTING 	 59.1	$\frac{9.5}{2.1}$	$\frac{12}{2.7}$	$\frac{0.17}{6.7}$	$\frac{1.7}{.067}$	250
GL**06D GL**36D	SLOW ACTING 	 61**	$\frac{9.5}{2.1}$	$\frac{12}{2.7}$	$\frac{0.17}{6.7}$	$\frac{1.7}{.067}$	250
GL**20D GL**22D GL**24D GL**32D	SNAP ACTION CONTACTS DOUBLE POLE 	 1.7 DIFFERENTIAL TRAVEL	$\frac{9.5}{2.1}$	$\frac{16.4}{3.7}$	$\frac{0.17}{6.7}$	$\frac{1.7}{.067}$	250
GL**21D GL**25D GL**28D GL**31D	STEP 1 STEP 2 SNAP ACTION CONTACTS DOUBLE POLE SEQUENTIAL 	 1.6 DIFFERENTIAL TRAVEL	$\frac{9.5}{2.1}$	N/A	$\frac{0.17}{6.7}$	$\frac{1.7}{.067}$	250

FIGURE 14B, TOP ROLLER LEVER HEAD WITH CAM ACTUATION

CATALOG LISTING	CONTACT BLOCK DIAGRAM	NOMINAL TRAVELS AND RELATED TERMINALS <small>■ - CONTACT CLOSED, □ - CONTACT OPEN, ▨ - CONTACT CLOSED DIFFERENTIAL TRAVEL, ** POSITIVE OPENING TO IEC 947-5-1</small>	MAXIMUM OPERATING FORCE $\frac{N}{LB}$	MAXIMUM DISCONNECT FORCE $\frac{N}{LB}$	MAX OPERATE VEL $\frac{M/S}{IN/S}$	MIN OPERATE VEL $\frac{M/S}{IN/S}$	MAX OPERATE FREQUENCY OPS/MIN
GL**01D GL**07D	SNAP - ACTION CONTACTS SINGLE POLE 	 4.1 DIFFERENTIAL TRAVEL	$\frac{5.5}{1.2}$	$\frac{7.0}{1.6}$	$\frac{0.29}{11.4}$	$\frac{2.9}{.11}$	250
GL**03D GL**33D	SLOW ACTING BREAK BEFORE MAKE 	 24.1	$\frac{5.5}{1.2}$	$\frac{7.0}{1.6}$	$\frac{0.29}{11.4}$	$\frac{2.9}{.11}$	250
GL**04D GL**34D	SLOW ACTING MAKE BEFORE BREAK 	 24.1**	$\frac{5.5}{1.2}$	$\frac{9.6}{2.2}$	$\frac{0.29}{11.4}$	$\frac{2.9}{.11}$	250
GL**05D GL**35D	SLOW ACTING 	 24.1	$\frac{5.5}{1.2}$	$\frac{7.0}{1.6}$	$\frac{0.29}{11.4}$	$\frac{2.9}{.11}$	250
GL**06D GL**36D	SLOW ACTING 	 20**	$\frac{5.5}{1.2}$	$\frac{7.0}{1.6}$	$\frac{0.29}{11.4}$	$\frac{2.9}{.11}$	250
GL**20D GL**22D GL**24D GL**32D	SNAP ACTION CONTACTS DOUBLE POLE 	 4.1 DIFFERENTIAL TRAVEL	$\frac{5.5}{1.2}$	$\frac{7.0}{1.6}$	$\frac{0.29}{11.4}$	$\frac{2.9}{.11}$	250
GL**21D GL**25D GL**28D GL**31D	STEP 1 STEP 2 SNAP ACTION CONTACTS DOUBLE POLE SEQUENTIAL 	 3.7 DIFFERENTIAL TRAVEL	$\frac{5.5}{1.2}$	N/A	$\frac{0.29}{11.4}$	$\frac{2.9}{.11}$	250

MGL SERIES CHART 1
 DRAWING NUMBER: 15
 PAGES: 11 OF 13
 RELEASE NO.:
 PTC/CAD 3D
 DRAWN: G.H. [05MARC] CHECK: SAV
 REVISIONS:
 1 0000491
 2 JUN03
 3 0002886
 4 20 JAN04
 5 0023759
 6 07 AUG06
 7 0037216
 8 0018008
 9 0043629
 10 1001000
 11 0048605
 12 0078000
 13 0078059
 14 0078059
 15 0000110

THIRD ANGLE PROJECTION

SCALE: -

DO NOT SCALE PRINT

TOLERANCES

APPLY TO DESIGN UNITS. CONVERSIONS ARE ONLY FOR REFERENCE. UNLESS NOTED, TOLERANCES ARE:

NO. PLACES	TOL.	NO. PLACES	TOL.
ONE	±.04	TWO	±.01
TWO	±.01	THREE	±.005
THREE	±.005	FOUR	±.0025

DESIGN UNITS: SI METRIC US CUSTOMARY

THIS DRAWING COVERS A PROPRIETARY ITEM AND IS THE PROPERTY OF MICRO SWITCH, A DIVISION OF HONEYWELL. THIS DRAWING IS NOT TO BE COPIED OR USED WITHOUT THE APPROVAL OF MICRO SWITCH.

FED. MFG. CODE 91929

CATALOG LISTING

MICRO SWITCH
a Honeywell Division

SWITCH, ENCLOSED

GL SERIES CHART 1

WEIGHT

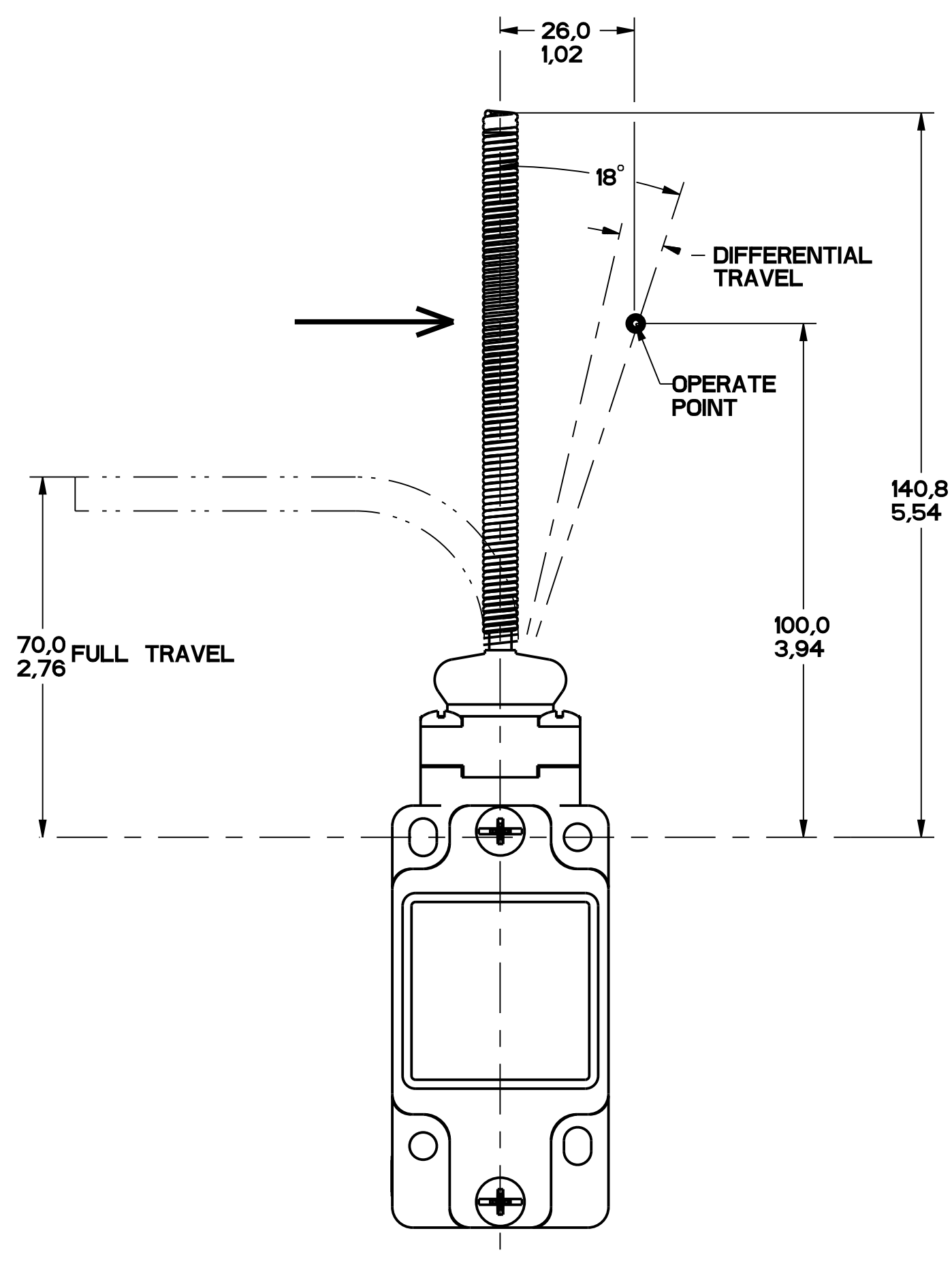


FIGURE 15

PTC/CAD 3D		DRAWN		SAV		CHECK		SAV	
GLH		05MARC01		05OCT10		CMH		05OCT10	
15		DRAWING NUMBER		12 OF 13		PAGE		RELEASE NO.	
MGL SERIES CHART 1		REPLACES							

REVISIONS	
1	0000461
2	018
3	0007886
4	0007886
5	0037216
6	0043629
7	0048605
8	007800
9	007800
10	007800
11	007800
12	007800

THIS DRAWING COVERS A PROPRIETARY ITEM AND IS THE PROPERTY OF MICRO SWITCH, A DIVISION OF HONEYWELL. THIS DRAWING IS NOT TO BE COPIED OR USED WITHOUT THE APPROVAL OF MICRO SWITCH.		FEDERAL MFG. CODE 91929	
MICRO SWITCH a Honeywell Division		CATALOG LISTING	
SWITCH, ENCLOSED		GL SERIES CHART 1	
DESIGN UNITS: <input checked="" type="checkbox"/> SI METRIC <input type="checkbox"/> US CUSTOMARY		TOLERANCES: DO NOT SCALE PRINT	
WEIGHT:		THIRD ANGLE PROJECTION	

FIGURE 15, CAT WISKER HEAD, ANGULAR ACTUATION

CATALOG LISTING	CONTACT BLOCK DIAGRAM	NOMINAL TRAVELS AND RELATED TERMINALS - CONTACT CLOSED, - CONTACT OPEN, - CONTACT CLOSED DIFFERENTIAL TRAVEL	MAXIMUM OPERATING TORQUE N-m LB-IN	MAXIMUM DISCONNECT TORQUE N-m LB-IN	MAX OPERATE DEGREE/S	MIN OPERATE VELOCITY DEGREE/S	MAX OPERATE RATE CYCLES/MIN
GL**01K GL**07K	SNAP - ACTION CONTACTS SINGLE POLE 	 21-22 18° 13-14 8° DIFFERENTIAL TRAVEL	0.1 .9	N/A	360	8	100
GL**03K GL**33K	SLOW ACTING BREAK BEFORE MAKE 	 21-22 18° 13-14 25	0.1 .9	N/A	360	8	100
GL**04K GL**34K	SLOW ACTING MAKE BEFORE BREAK 	 21-22 25° 13-14 18°	0.1 .9	N/A	360	8	100
GL**05K GL**35K	SLOW ACTING 	 13-14 25° 23-24	0.1 .9	N/A	360	8	100
GL**06K GL**36K	SLOW ACTING 	 11-12 18° 21-22	0.1 .9	N/A	360	8	100
GL**20K GL**22K GL**24K GL**32K	SNAP ACTION CONTACTS DOUBLE POLE 	 11-12, 21-22 18° 13-14, 23-24 8° DIFFERENTIAL TRAVEL	0.1 .9	N/A	360	8	100

FIGURE 15, CAT WISKER HEAD, SIDE ACTUATION AT 100mm

CATALOG LISTING	CONTACT BLOCK DIAGRAM	NOMINAL TRAVELS AND RELATED TERMINALS - CONTACT CLOSED, - CONTACT OPEN, - CONTACT CLOSED DIFFERENTIAL TRAVEL	MAXIMUM OPERATING FORCE N LB	MAXIMUM DISCONNECT FORCE N LB	MAX OPERATE VEL M/S IN/S	MIN OPERATE VEL mm/S IN/S	MAX OPERATE FREQUENCY OPS/MIN
GL**01K GL**07K	SNAP - ACTION CONTACTS SINGLE POLE 	 21-22 26 13-14 12 DIFFERENTIAL TRAVEL	1.3 .3	N/A	.5 19.7	.11 .43	100
GL**03K GL**33K	SLOW ACTING BREAK BEFORE MAKE 	 21-22 26.5 38.1 13-14	1.3 0.3	N/A	.5 19.7	.11 .43	100
GL**04K GL**34K	SLOW ACTING MAKE BEFORE BREAK 	 21-22 26.5 38.1 13-14	1.3 0.3	N/A	.5 19.7	.11 .43	100
GL**05K GL**35K	SLOW ACTING 	 21-22 38.1 13-14	1.3 0.3	N/A	.5 19.7	.11 .43	100
GL**06K GL**36K	SLOW ACTING 	 11-12 26.5 21-22	1.3 0.3	N/A	.5 19.7	.11 .43	100
GL**20K GL**22K GL**24K GL**32K	SNAP ACTION CONTACTS DOUBLE POLE 	 11-12, 21-22 26 13-14, 23-24 12 DIFFERENTIAL TRAVEL	1.3 0.3	N/A	.5 19.7	.11 .43	100

MGL SERIES CHART 1
 DRAWING NUMBER: 15
 PAGE: 13 OF 13
 RELEASE NO.:
 PTC/CAD 3D
 DRAWN: G.H. 105MARC01
 CHECK: SAV
 REVISIONS:
 1 0000491
 2 JUN03
 3 0002986
 4 20 JAN04
 5 0023759
 6 07 AUG06
 7 0037216
 8 0018088
 9 0043629
 10 1001000
 11 0048605
 12 0078000
 13 0078059
 14 0000110

THIRD ANGLE PROJECTION

 SCALE: -
 DO NOT SCALE PRINT
 TOLERANCES
 APPLY TO DESIGN UNITS. CONVERSIONS ARE ONLY FOR REFERENCE. UNLESS NOTED, TOLERANCES ARE:
 DIM: .0010
 HOLE: .0010
 TYPICAL: .0010
 ANGLES: .0010
 DESIGN UNITS: SI METRIC
 US CUSTOMARY

THIS DRAWING COVERS A PROPRIETARY ITEM AND IS THE PROPERTY OF MICRO SWITCH, A DIVISION OF HONEYWELL. THIS DRAWING IS NOT TO BE COPIED OR USED WITHOUT THE APPROVAL OF MICRO SWITCH.
 FED. MFG. CODE 91929
MICRO SWITCH
 a Honeywell Division
 SWITCH, ENCLOSED
 CATALOG LISTING
GL SERIES CHART 1
 WEIGHT