



Glass Solutions

Brought to you by ASSA ABLOY

The global leader in
door opening solutions

ASSA ABLOY

Table of Contents

Door Rails	7
Sidelite Glazing Hardware	11
Headers	16
Patch Fittings	18
Panic Devices	23
Sliding Door Hardware	26
Door Pulls	28
Door Controls	32
Mechanical Locking Hardware	42
Electrified Hardware	53

ASSA ABLOY

The global leader in
door opening solutions

Copyright © 2017 ASSA ABLOY Inc. All rights reserved. Reproduction in whole or in part without the express written permission of ASSA ABLOY Inc. is prohibited.





ASSA ABLOY Glass Hardware Solutions

As the industry leader in door security, innovation, and design, ASSA ABLOY offers a complete line of commercial hardware solutions for all glass entrances and partitions, including: patch fittings, door rails, sliding and folding systems, architectural pulls, and mechanical and electrified locking products. Tested in our state-of-the-art, BHMA-certified lab, our products meet the most rigorous testing standards.

Our Glass Solutions program offers the convenience of placing a consolidated order with same day shipping and support from dedicated technical and customer service experts.

Glass Solutions Program Information

The ASSA ABLOY Glass Solutions program offers the convenience of placing a single order, with one shipment, from multiple ASSA ABLOY brands.

Customer Service/Technical Product Support

For Glass Solutions questions please contact us via phone or email.

Call: 855-594-6989

Email: CustomerService.GlassSolutions@assaabloy.com or TechSupport.GlassSolutions@assaabloy.com

Hours of Operation

Customer Service and Technical Support: 8:00 am - 4:30 pm EST

Ordering

To place an order:

Fax: 844-851-8665

Email: Orders.GlassSolutions@assaabloy.com

Website: www.assaabloyglass.us

Lead Time

Lead times will vary. Orders containing stock items will ship within 48 hours of order acknowledgment. Lead times for non-stock items will change based on complexity and quantity. Standard stock rails and headers will ship within 72 hours. Products such as the glass panic device will ship within approximately 10 days. Expected ship dates will be listed on the acknowledgment.

Part Number Structure

Our part numbers were designed to facilitate ease of ordering and ensure all products are tied to the coordinating job. Each part number specifies the product family, glass thickness (if applicable), and finish.

Glass Thickness Sizing Codes

Glass Thickness	Size Code
$\frac{3}{8}$ "	A
$\frac{1}{2}$ "	B
$\frac{9}{16}$ "	C
$\frac{5}{8}$ "	D*
$\frac{11}{16}$ "	E*
$\frac{3}{4}$ "	F*
$\frac{13}{16}$ "	G*

*Currently not available. Product in development.

Finishes**

US Code	ANSI/BHMA Code	Description
28	628	Clear Anodized Aluminum
314	n/a	Extra Dark Anodized Aluminum
(314E)	n/a	Extra Dark Anodized Equivalent
32D	630	Satin Stainless Steel
32	629	Bright Stainless Steel

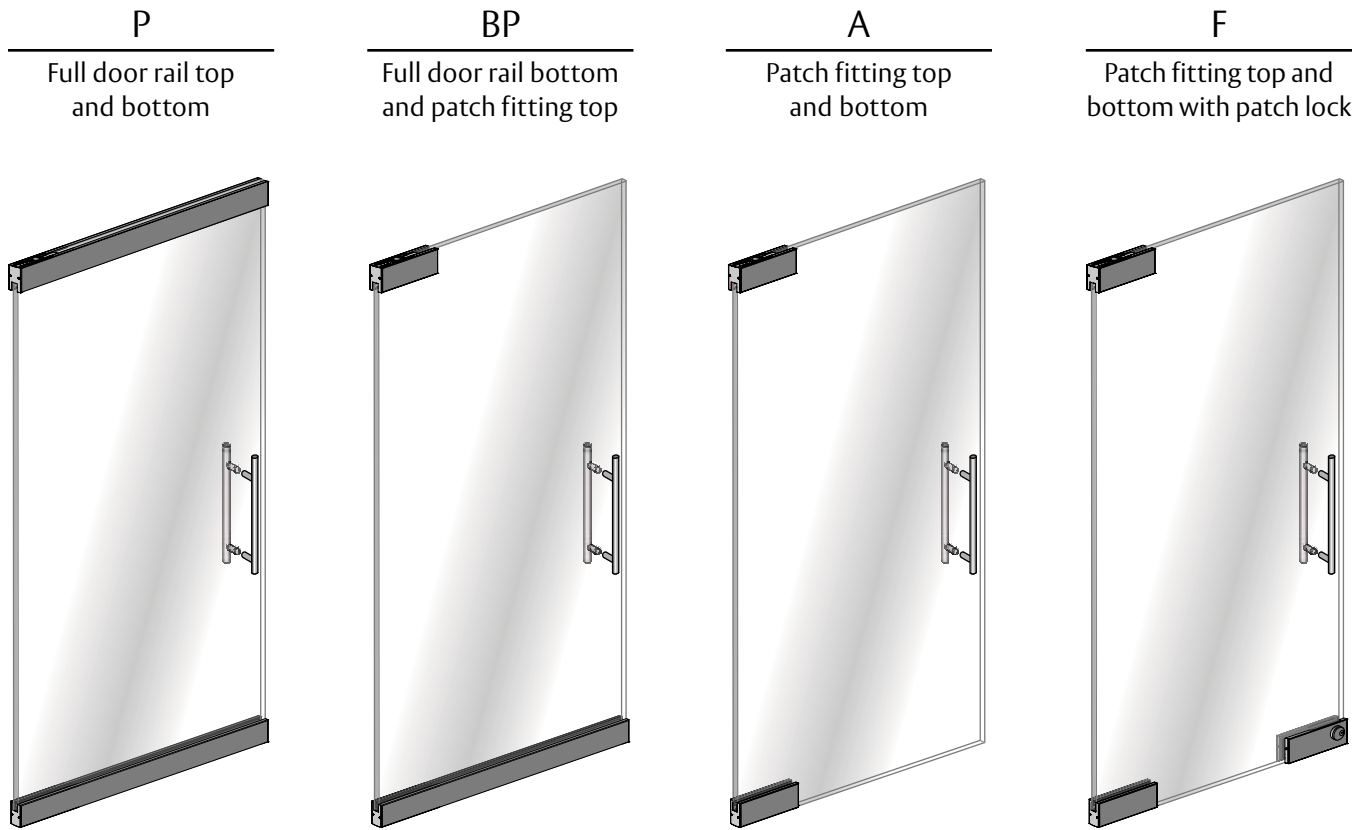
**Special finishes considered upon request

ASSA ABLOY

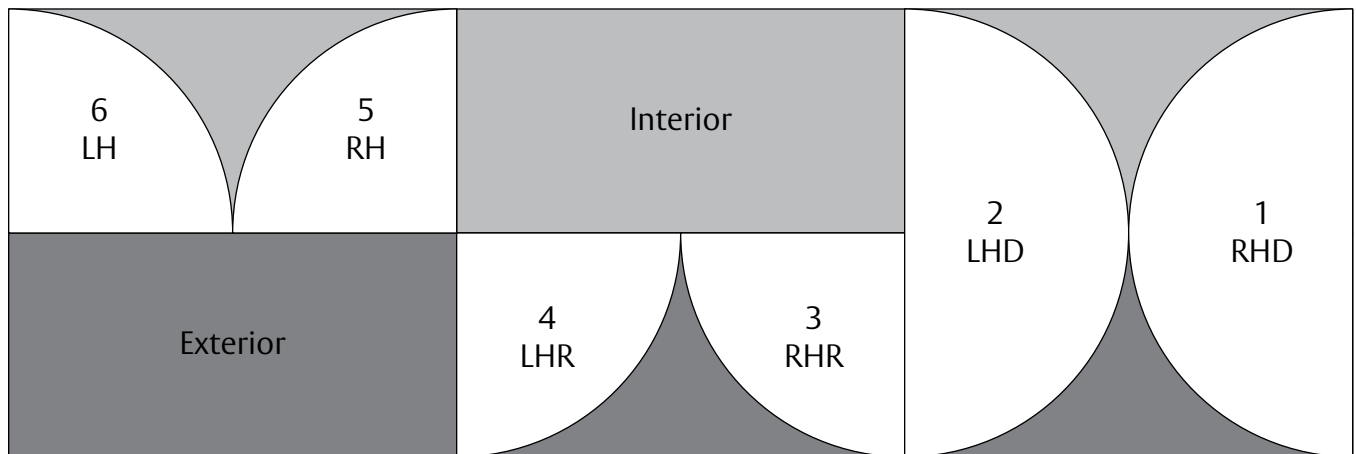
The global leader in
door opening solutions

Glass Door Styles and Handing

There are four basic configurations of glass doors as established by the Glass Association of North America (GANA). For the available variations of each style, refer to the Glass Door Configuration section.



Door Handing and Swing



ASSA ABLOY

Sustainability

Sustainability is the natural translation of ASSA ABLOY's Corporate Cornerstones: vision, realism, courage, and ethics. These cornerstones have been central to the Group's development since its creation in 1994. The environment, business ethics, and social responsibility are critical issues and are an integral part of our ASSA ABLOY society. Our unconditional aim is to make sustainability a central part of our business philosophy and culture; and even more importantly, to integrate sustainability into our overall business strategy.



Daylighting

There are many attributes to a sustainable built environment such as daylighting. Daylighting is the process of bringing natural light and direct sunlight into the a building through windows, skylights and interior glass. Exposure to natural light helps improve occupant health, happiness, productivity, and well-being, while decreasing total building energy costs by almost a third.

Glass

Glass creates openness in a space. In an office environment, openness promotes happiness, creativity, and communication, which are important aspects of good design. In creating a modern atmosphere, glass never looks old or outdated. Being more durable than most materials, glass has longevity that offers an ideally cost-effective solution. Also, glass applications are easily configured, allowing flexibility in any design. At ASSA ABLOY, we believe good design is more than just tangible; good design is imperceptible.



ASSA ABLOY

The global leader in
door opening solutions

Door Rails

ASSA ABLOY Door Rails offer ease of installation with dependable quality. These pre-assembled mechanical rails have a variety of fabrication options to create a customized solution that fits any application.



ASSA ABLOY

The global leader in
door opening solutions

Door Rails

Features

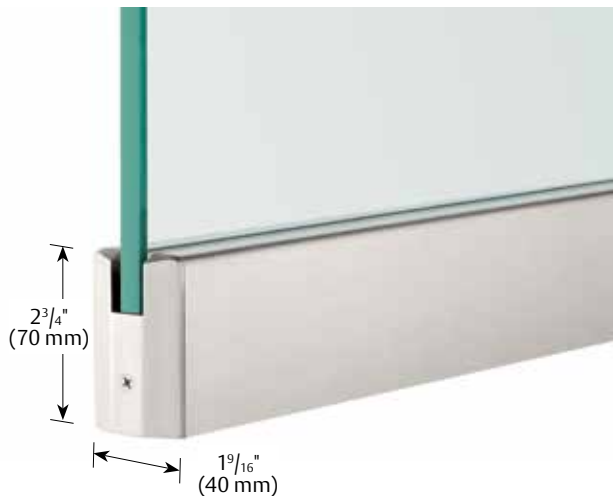
- Dry glaze pre-assembled mechanical rails
- One-piece compression system for easy, fast installation
- Tested in a variety of simulated and real-life scenarios to ensure holding power
- Matching sidelite rails offered
- Precision, custom fabrication for compatible hardware
- No additional charge for non-standard lengths
- Locking option available on most configurations
 - Lock body installed; cylinder, thumbturn, and dustproof strike ordered separately
- Adjustable blocking for standard hardware provides left to right field alignment
- 4" tapered 10" square door rails meet ADA requirements

Specifications

- Rail Options:**
- (B) - bottom rail
 - (T) - top rail
- Rail Lengths:**
- 35³/₄" Standard - single door
 - 35¹³/₁₆" Standard - double door
 - Custom lengths available
- Door Thickness:** 3/8", 1/2", and 9/16"
- Material:**
- Aluminum body
 - Bright or satin stainless steel cladding
- Finishes:** US32D/630, US32/629, US28/628, 314

Door Rail Styles

Square 2³/₄" Rail (DRS-275)



Square 2³/₄" Rail Compatible Parts

Floor Closer/Pivot Insert (DRC-275)



Top Pivot Insert (DRP-275)



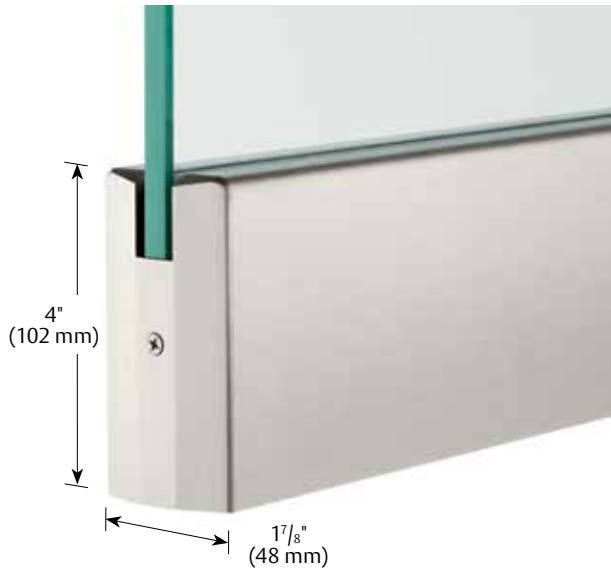
Overhead Closer Insert (DOHC-275)



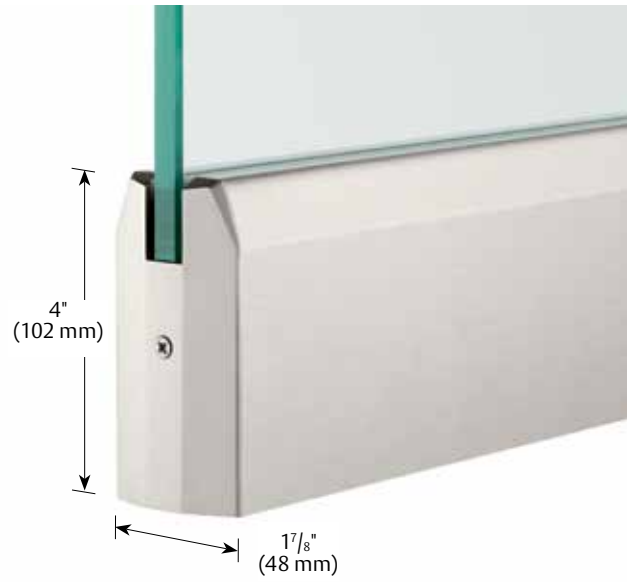
ASSA ABLOY

The global leader in
door opening solutions

Square 4" Rail (DRS-4)



Tapered 4" Rail (DRT-4)



Square 6" Rail (DRS-6)



Square 10" Rail (DRS-10)



ASSA ABLOY

The global leader in door opening solutions

Door Rail Compatible Parts

(For 4", 6" and 10" rails)

Adjustable End Load Bottom Pivot (PV-ENDLOAD)



Floor Closer Arm (FC-6275/6280-ARM)



Walking Beam Pivot (PV-WALKBEAM)



Offset Floor Closer Arm (FC-6275/6280-OFFARM)



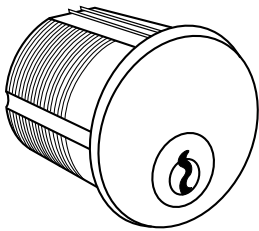
Bottom Door Rail Lock (DR-BTMLOCK)



End Load Overhead Closer Arm (OHC-609-ARM)



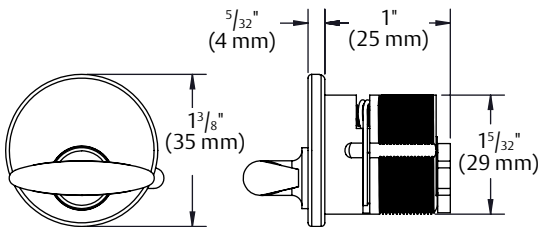
1" Cylinder (DR-LOCKCYL)



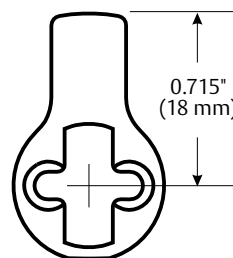
Dust Proof Strike (570)



Thumbturn (DR-LOCKTT)



Cylinder Cam



ASSA ABLOY

The global leader in door opening solutions

Sidelite Glazing Hardware

Sidelite Rails and U-Channels are designed to preserve the clean, modern appearance of glass walls and sidelites. ASSA ABLOY offers an assortment of sizes in aluminum and stainless steel finishes.



ASSA ABLOY

The global leader in
door opening solutions

Sidelite Rails

Sidelite Rails maintain a seamless, consistent appearance when used with matching door rails. Available in standard or custom lengths, the dry-glaze installation is fast and efficient.

Product Features

- Provides aesthetic continuity when used with coordinating door rails
- Standard pre-fit, dry-glaze, black vinyl; gray vinyl option for $\frac{1}{2}$ " glass only
- Roll-in gasketing alternative (black only)
- Variety of reversible saddles offered for fluctuating clearances and out-of-tolerance openings

Specifications

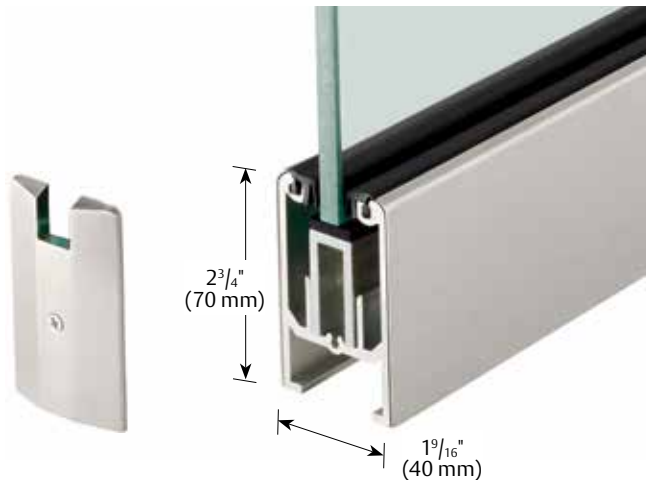
Materials	<ul style="list-style-type: none"> • Aluminum body • Bright or satin stainless steel cladding
Glass Thickness	$\frac{3}{8}$ ", $\frac{1}{2}$ ", and $\frac{9}{16}$ "
System Components	<ul style="list-style-type: none"> • Cut-to-length or 12' stock lengths available • 4" aluminum setting blocks included with bottom rails • End caps sold separately
Finishes	US32D/630, US32/629, US28/628, 314



Setting Block

Sidelite Rail Styles

Square $2\frac{3}{4}$ " Rail (SRS-275)

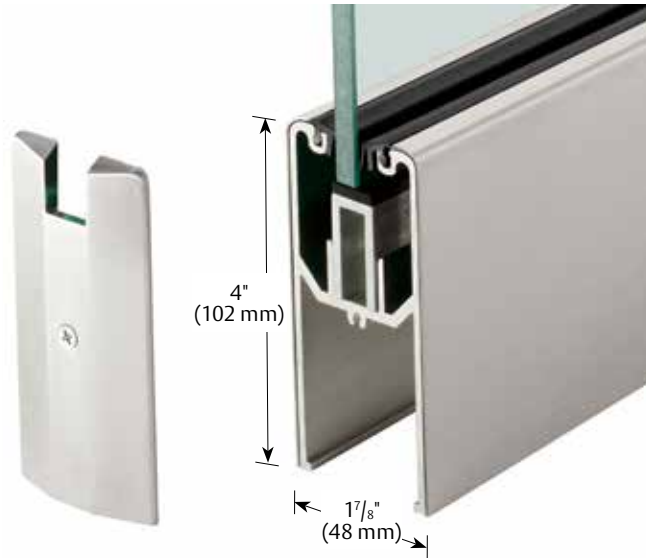


ASSA ABLOY

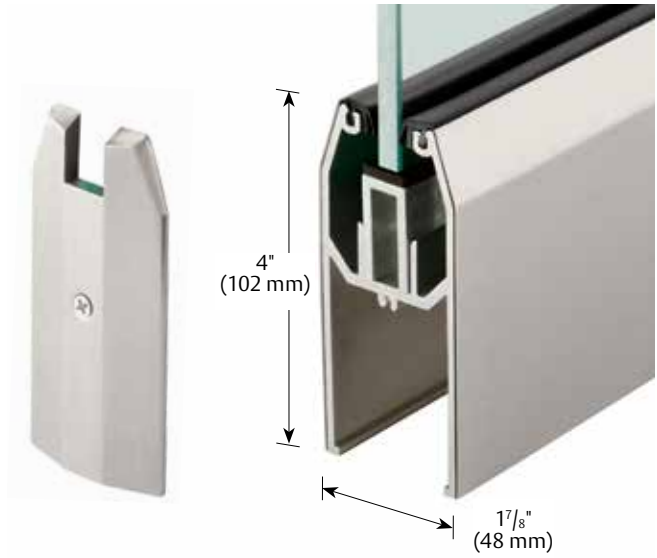
The global leader in
door opening solutions

Sidelite Rail Styles (continued)

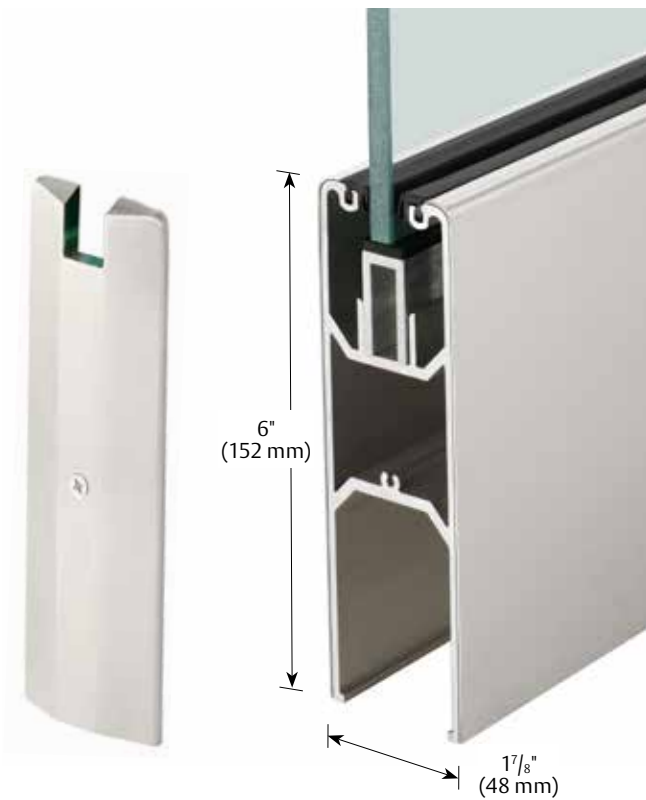
Square 4" Rail (SRS-4)



Tapered 4" Rail (SRT-4)



Square 6" Rail (SRS-6)

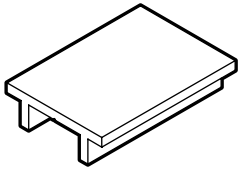


Square 10" Rail (SRS-10)

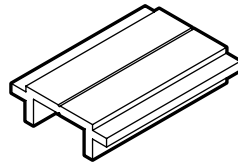


ASSA ABLOY

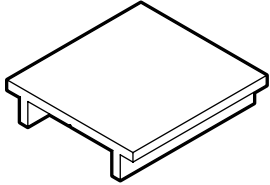
Saddles



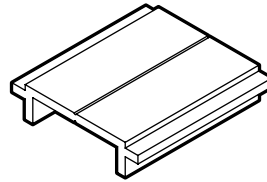
- SAS-1500x125**
- $\frac{1}{8}$ " H x $1\frac{1}{2}$ " W
(3 mm H x 38 mm W)
 - Non-reversible
 $2\frac{3}{4}$ " (70 mm) rail only



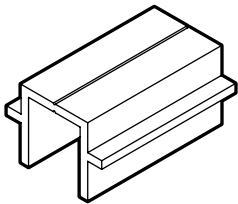
- SAR-1500x188/375**
- $\frac{3}{16}$ " and $\frac{3}{8}$ " H x $1\frac{1}{2}$ " W
(5 mm and 10 mm H x 38 mm W)
 - Reversible
 $2\frac{3}{4}$ " (70 mm) rail only



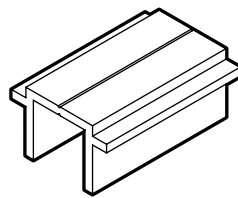
- SAS-1875x125**
- $\frac{1}{8}$ " H x $1\frac{7}{8}$ " W
(3 mm H x 48 mm W)
 - Non-reversible



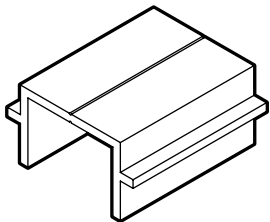
- SAR-1875x188/375**
- $\frac{3}{16}$ " and $\frac{3}{8}$ " H x $1\frac{7}{8}$ " W
(5 mm and 10 mm H x 48 mm W)
 - Reversible



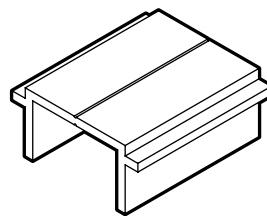
- SAR-1500x500/625**
- $\frac{1}{2}$ " and $\frac{5}{8}$ " H x $1\frac{1}{2}$ " W
(13 mm and 16 mm H x 38 mm W)
 - Reversible
 $2\frac{3}{4}$ " (70 mm) rail only



- SAR-1500x250/750**
- $\frac{1}{4}$ " and $\frac{3}{4}$ " H x $1\frac{1}{2}$ " W
(6 mm and 19 mm H x 38 mm W)
 - Reversible
 $2\frac{3}{4}$ " (70 mm) rail only

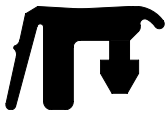


- SAR-1875x500/625**
- $\frac{1}{2}$ " and $\frac{5}{8}$ " H x $1\frac{7}{8}$ " W
(13 mm and 16 mm H x 48 mm W)
 - Reversible



- SAR-1875x250/750**
- $\frac{1}{4}$ " and $\frac{3}{4}$ " H x 2" W
(6 mm and 19 mm H x 51 mm W)
 - Reversible

Gasketing*



GD-PREFIT-B
Pre-fit $\frac{1}{2}$ " glass



GD-PREFIT-A
Pre-fit $\frac{3}{8}$ " glass



GD-ROLLIN-B
Roll-in for $\frac{1}{2}$ " glass



GD-WEDGE-B
Wedge for $\frac{1}{2}$ " glass
(not offered on Sidelite Rails)

*Gasketing options apply to both Sidelite Rails and U-Channels.

ASSA ABLOY

The global leader in
door opening solutions

U-Channels

U-channels secure glass into position and create a continuous, minimal profile that allows the maximum amount of natural light to enter the room.

Product Features

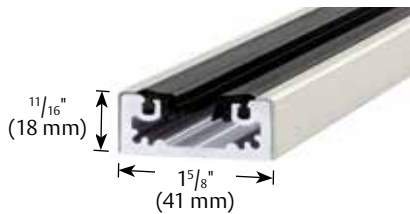
- Easy and efficient to install
- Lengths:
 - 12' stock or custom
 - Anodized: 90" maximum
 - Hat Channel: 10' white powder coat only
- Standard pre-fit, dry-glaze, black vinyl; gray vinyl option for 1/2" glass only
- Wet/dry glaze channel (gasketing not standard)
 - Wedge gasket available
 - Can be used with silicone
 - End caps sold separately

Specifications

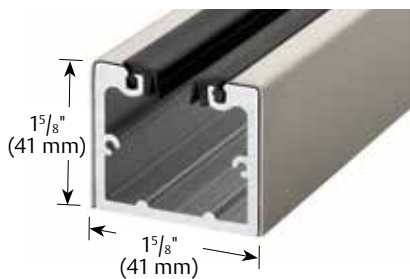
- Materials**
- Aluminum body
 - Bright or satin stainless steel cladding
- Glass Thickness** 3/8", 1/2", and 9/16"
- Finishes** US32D/630, US32/629, US28/628, 314

U-Channel Styles

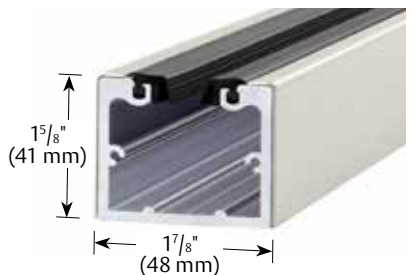
Dry U-Channels
UCD-0687x1625



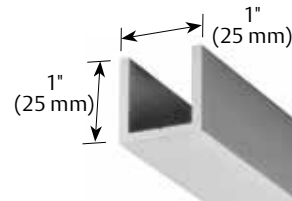
UCD-1625x1625



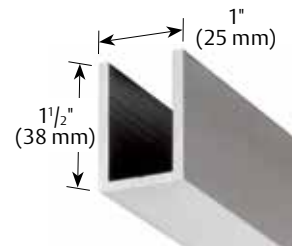
UCD-1625x1875



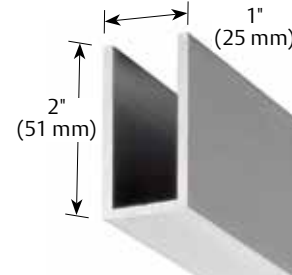
Wet/Dry U-Channels
UWD-1000x1000



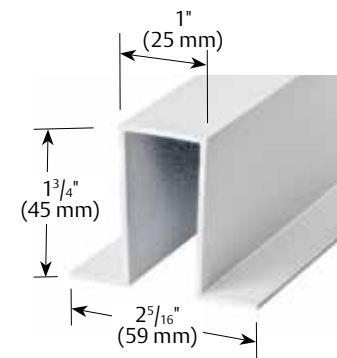
UWD-1500x1000



UWD-2000x1000



UWD-HAT-1750x1000



ASSA ABLOY

The global leader in door opening solutions

Headers

ASSA ABLOY's state-of-the-art equipment and skilled, in-house engineering services, quickly and effectively produce intricate header configurations to support any glass door solution.



ASSA ABLOY

The global leader in
door opening solutions

Copyright © 2017 ASSA ABLOY Inc. All rights reserved. Reproduction in whole or in part without the express written permission of ASSA ABLOY Inc. is prohibited.

Headers

Headers conceal hardware for glass door systems. They house a range of products such as closers, strikes, mag locks, and pivots. Our Glass Solutions program offers a collection of solid, floating, and two-piece header systems for doors and sidelites.

Product Features

- Two-piece, snap-fit headers for standard hardware applications
 - No exposed fasteners provide easy access while maintaining clean aesthetics
- Solid tube headers fabricated for complex hardware applications
- Floating headers available
- All hardware mounting brackets and clips come pre-installed
- All headers prepped by machining centers
- Vinyl gasketing for all sidelite applications
- No additional charge for non-standard lengths

Finishes

- US32D/630, US32/629, US28/628, 314

Header Types

Overhead Closer Header



Pivot Header

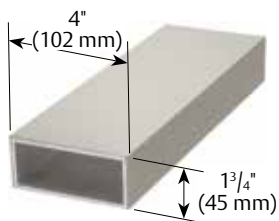


Sidelite Header

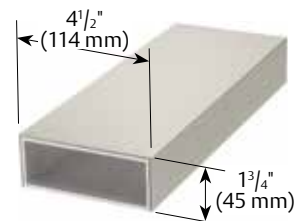


Solid Headers

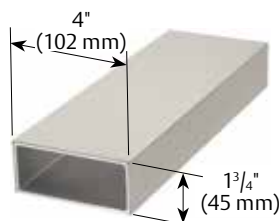
HDS-1750x4000



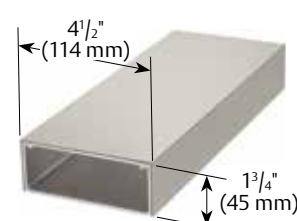
HDS-1750x4500



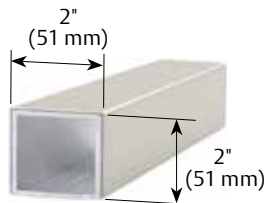
HDR-1750x4000



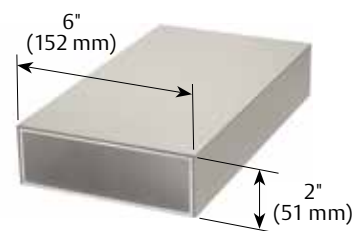
HDR-1750x4500



HDS-2000x2000



HDS-2000x6000



Pivot, Overhead Closer and Sidelite Headers

ASSA ABLOY

The global leader in door opening solutions

Patch Fittings

ASSA ABLOY provides patch fittings for doors, sidelites, and transoms, offering designers and architects a complete selection of products for most frameless glass configurations.



ASSA ABLOY

The global leader in
door opening solutions

Copyright © 2017 ASSA ABLOY Inc. All rights reserved. Reproduction in whole or in part without the express written permission of ASSA ABLOY Inc. is prohibited.

Patch Fittings

With a maximum door weight of 300 lbs., our patch fitting design is manufactured to meet the industry standard and deliver the ultimate in strength and reliability.

Product Features

- Manufactured for industry standard dimensions
 - Standard glass prep
 - 2³/₄" pivot centerline
- Snap-on cover
- Bottom patch lock available
 - 5-Pin cylinder, 1" length
- Used with monolithic or laminated glass
- Synthetic gasketing provides ultimate durability

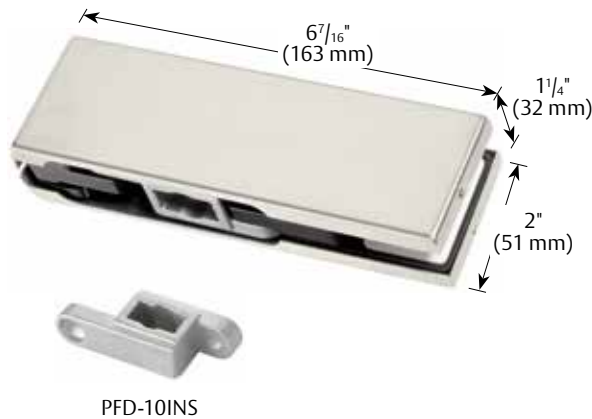
Specifications

- Maximum Door Weight:** 300 lbs. (42" maximum door width)
- Door Thickness:** 3/8" to 9/16"
- Material:**
 - Stainless steel inserts
 - Aluminum body
 - Aluminum or stainless steel cover
- Finishes:** US32D/630, US32/629, US28/628, 314

Door Patch Fittings

Bottom Patch (PFD-10)

- Floor Closer/Pivot Insert (included) (PFD-10INS)
- Functions with 6275/6280 Tapered Floor Closer Spindle



Top Patch (PFD-20)

- Top Pivot Insert (included) (PFD-20PIVINS)



Compatible Parts



Compatible Parts



ASSA ABLOY

The global leader in door opening solutions

Door Patch Fittings (continued)

Top Patch (PFD-22)

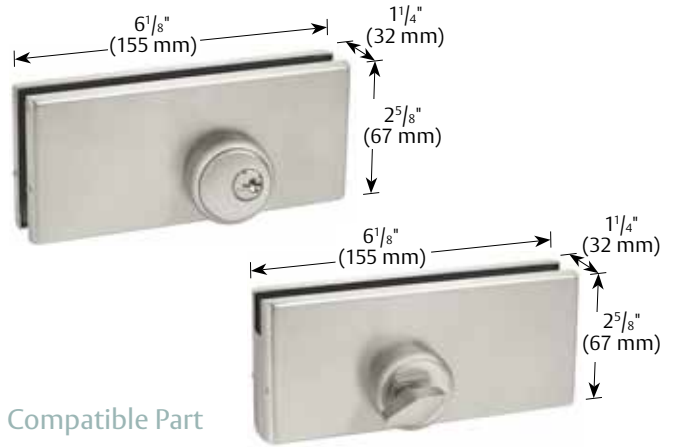
- Overhead Closer Insert (included) (PFD-22OHCINS)



PFD-22OHCINC

Patch Lock (PFD-100)

- Round Bolt Dead Bolt Lock
- Available with 1" cylinder and thumbturn



Compatible Part



Dust Proof Strike (570)

Transom Patch Fittings

- Pivot Insert (included) (PFT-34/40/41-PIVINS)
- Compatible Parts: PFD-20BC

Transom Patch with Wall Bracket (PFT-34)



Pivot Insert
(PFT-34/40/41-PIVINS)

Optional Inserts

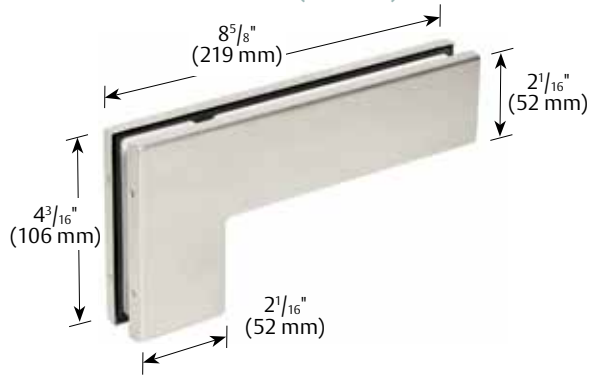


Blank Insert
(PFT-34/40/41-BLANKINS)

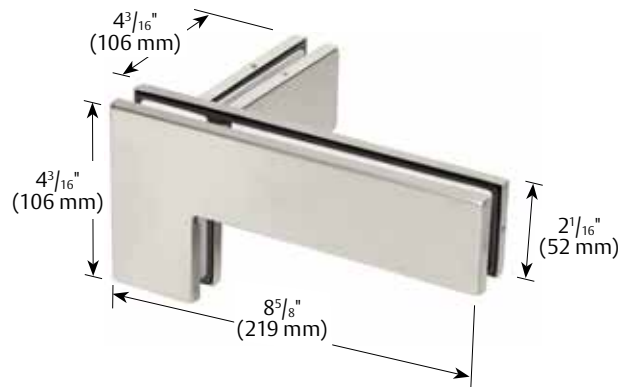


Stop Insert
(PFT-34/40/41-STOPINS)

Sidelite Transom Patch (PFT-40)



Sidelite Transom Fin Patch (PFT-41)(Handed)



ASSA ABLOY

The global leader in
door opening solutions

Transom Patch Fittings (continued)

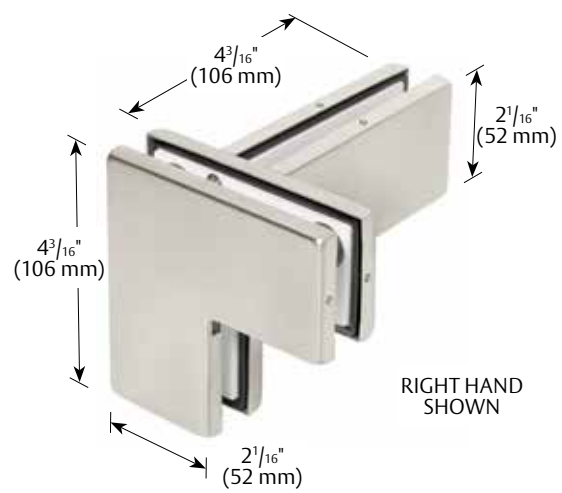
Sidelite Transom Patch (PFT-60)

- Included: Stop Insert (PFT-60/70-STOPTAB)
Blank Insert (PFT-60/70-BLANKTAB)



Sidelite Transom Fin Patch (PFT-61) (Handed)

- Included: Stop Insert (PFT-60/70-STOPTAB)
Blank Insert (PFT-60/70-BLANKTAB)



Sidelite Transom Stop Patch (PFT-62)



Transom Stop Patch (PFT-70)

- Included: Stop Insert (PFT-60/70-STOPTAB)
Blank Insert (PFT-60/70-BLANKTAB)



Transom Connector Fin Patch (PFT-71)

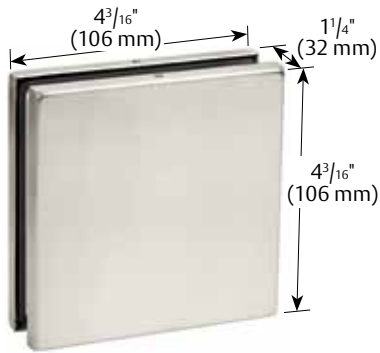


ASSA ABLOY

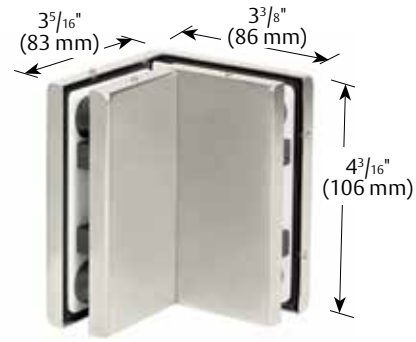
The global leader in
door opening solutions

Sidelite Patch Fittings

Sidelite Connector Patch (PFS-80)



Sidelite 90° Angle Patch (PFA-90)



Sidelite Fin Patch (PFS-81)



Sidelite 90° Short Angle Patch (PFA-90-SH)



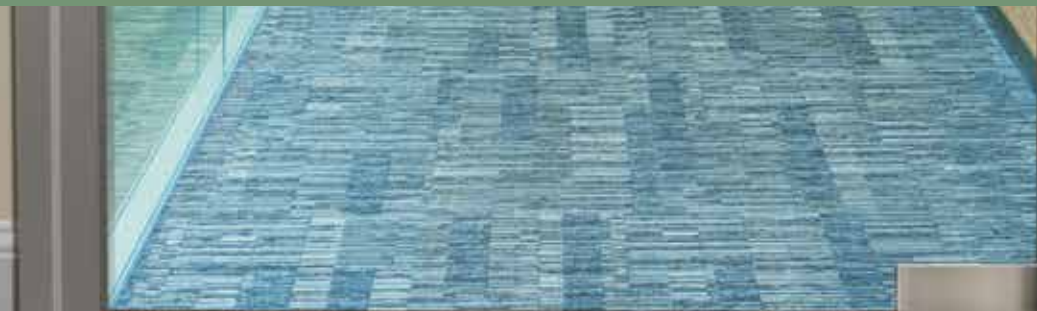
ASSA ABLOY

The global leader in
door opening solutions



Panic Devices

Combine safety and elegance with ASSA ABLOY Glass Panic Devices. The engraved push area and boundary grooves make exit doors stand out in a crowd. The panic device has keyed and non-keyed functions, six standard exterior pull options, and a selection of finishes, providing customizable design. Whether choosing a manual or electric strike, this line provides beauty, security, and peace of mind.



ASSA ABLOY

The global leader in
door opening solutions

Panic Devices

Product Features

- Top latching panic device with easy align security latch
- Engraved latch lines ensure proper engagement with strike
- Post mount design matches Rockwood architectural pulls
- Keyed and non-keyed options

Specifications

- Panic Device:**
 - PDU8000
- Functions**
 - Keyed
 - Passage (dogging standard)
- Glass Thickness**
 - 1/2" to 3/4" thick standard
 - Non-standard thickness, specify
- Dimensions**
 - Grip diameter: 1 1/4"
 - Vertical: (crash bar to top of tube):
 - 28 1/2" min; 73" max
 - Horizontal:
 - 15 3/4" min; 48" max
 - Projection:
 - 2 5/8" Panic side
 - 3 1/4" Mating pull side
- Materials**
 - Stainless steel
- Applications Types**
 - Glass mounted
 - Rail mounted
- Handing**
 - Right-hand reverse (swing 3)
 - Left-hand reverse (swing 4)

- Six standard exterior pull options
- Dogging feature
- Engraved push area and boundary grooves allow for enhanced visibility and tactility
- Less than 5 lbs. of force to activate device

- Patents, Approvals and Listings**
 - ANSI/BHMA A156.3-2008, Grade 1 Certified (32 and 32D finishes only)
 - UL305, ULC-S132-07
 - Meets California Building Code (2013) Sec. 11B-309.4
 - ADA Compliant
 - Patents Pending

- Finishes**
 - US32/629, US32D/630, US32MS*, US32D (device) / US32 (push area) 314E, Stock Powder Coats
 - *MS - MicroShield® Antimicrobial Coating

Cylinder Options

Code 01	Mortise Cylinder
Code 02	7-pin SFIC Housing w/Construction Core
Code 03	Special Order (keyed alike)
Code 04	Customer Supplied Cylinder
Code 05	Dummy Cylinder Housing
Code 06	Non-Keyed Function (blank escutcheon plate provided)

Sold Through



Authorized Channel Partner
ASSA ABLOY

ASSA ABLOY

The global leader in door opening solutions

Engraved Push Area Finish Options*

Split finish – 32D device; 32 push area (infill optional)



White paint



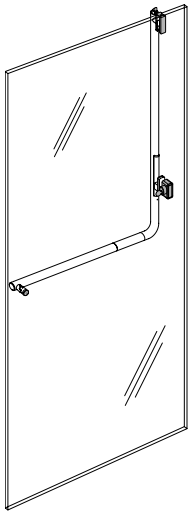
Black paint (standard)



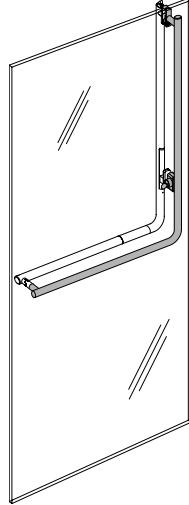
*For custom colors, contact factory.

PDU8000 Exterior Pull Options

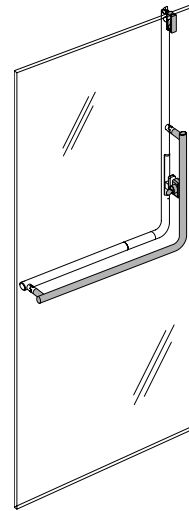
No Mating Pull



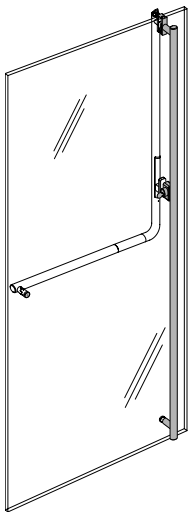
Full-Height L-Shaped Pull (-1)



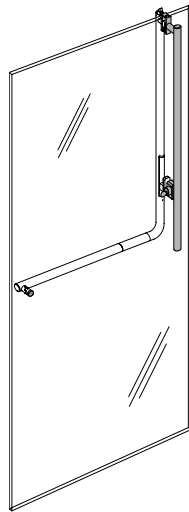
Half-Height L-Shaped Pull (-2)



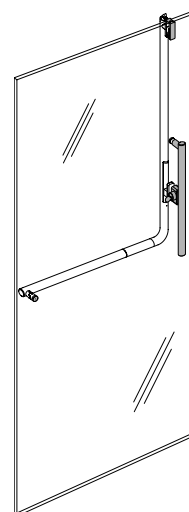
Full-Height Straight Pull (-3)



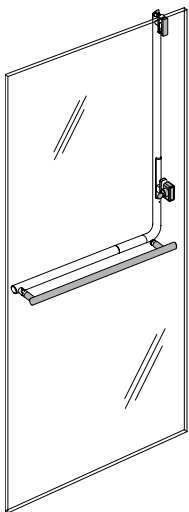
Half-Height Straight Pull (-4)



Short Centered Straight Pull (-5)



Horizontal Straight Pull (-6)



Strike Options

Single Manual (MSK-SGL)



Double Manual (MSK-DBL)



Single Electric (ESK-SGL)

- Fail Safe/Fail Secure
- Folger Adam 310-1-3/4



Double Electric (ESK-DBL)

- Fail Safe/Fail Secure
- Folger Adam 310-1-3/4



Sliding Door Hardware

ASSA ABLOY presents an updated and aesthetically-pleasing twist on a classic idea that allows you to transform a simple doorway into a stylish focal point, while recovering the in-swing and out-swing space required for hinged doors.



ASSA ABLOY

The global leader in
door opening solutions

Copyright © 2017 ASSA ABLOY Inc. All rights reserved. Reproduction in whole or in part without the express written permission of ASSA ABLOY Inc. is prohibited.

Pemko Stainless Steel Sliding Track Hardware Systems

The Pemko stainless steel sliding track hardware line offers multiple weight options, compatibility with Rockwood Pulls, and custom track lengths to fit most application. This line is perfect when flexibility is a must in a sliding track hardware system.

Features

- Nylon-coated wheels provide smooth, quiet operation
- Hangers contain anti-rise pin preventing door lifting from track

Specifications

- Maximum Door Weight:** 198 lbs. to 240 lbs. depending upon hanger style
- Door Thickness:** For glass doors $\frac{3}{8}$ " to $\frac{1}{2}$ " thick
- Base Material:**
- Stainless steel track and hangers
 - Nylon coated rollers
- Finishes:** US32/629, US32D/630, 314E
- Patents, Approvals, Listings:** Meets performance requirements of ANSI/BHMA 156.14, Grade 1, for sliding doors by exceeding 100,000 cycles in operation
- System Components:**
- Stainless steel track (6'6" or 8'2"), with end caps
 - Hangers (2)
 - Wall brackets
 - Door bottom guide (1)
 - Track stops (2)
 - Mounting and installation hardware

For custom track lengths, contact ASSA ABLOY Glass Solutions.

Flush Pull Options

- Door Thickness: $\frac{3}{8}$ " to $\frac{1}{2}$ "
- Dimensions: $2\frac{1}{4}$ " diameter

FP-Open



FP-Closed



- For glass doors up to 240 lbs.
- Five styles of door hangers that suite with Rockwood door pulls

Options

G60



G60 Door Weight

- Up to 198 lbs.
- Hanger Height: $3\frac{5}{8}$ "

G70



G70 Door Weight

- Up to 240 lbs.
- Hanger Height: $3\frac{11}{16}$ "

G80



G80 Door Weight

- Up to 198 lbs.
- Hanger Height: $3\frac{11}{16}$ "

G90



G90 Door Weight

- Up to 198 lbs.
- Hanger Height: $4\frac{1}{16}$ "

G100



G100 Door Weight

- Up to 198 lbs.
- Hanger Height: $3\frac{5}{8}$ "

ASSA ABLOY

The global leader in door opening solutions

Door Pulls

Comfortable grip, soft leather, and sleek form. A few words to describe our striking Rockwood door pulls. With endless design options to choose from, our pulls will add contemporary beauty to any door opening.



ASSA ABLOY

The global leader in
door opening solutions

Copyright © 2017 ASSA ABLOY Inc. All rights reserved. Reproduction in whole or in part without the express written permission of ASSA ABLOY Inc. is prohibited.

Rockwood Decorative Door Pulls

Product Features

- Solid stainless steel pulls
- Made with high quality, choice materials including leather and Santoprene™
- Heavy duty mounting features hex drive for positive tightening and oversized fasteners for superior strength
- Custom leather colors available on special order
- Suites with door hardware from other ASSA ABLOY Group brands
- Full line of Rockwood door pulls available (see Rockwood Architectural Pull catalog)

Specifications

Projection:	3"
Grip Diameter:	Round 1 ¹ / ₄ " Square 3 ³ / ₄ " - 1 ¹ / ₂ "
Over Length:	Up to 96" available
Mounting Hardware Options:	Back-to-back, heavy duty (BTBHD) Decorative thru bolt, heavy duty (DTBHD)
Door Thickness:	1 ¹ / ₄ " to 1"
Base Material:	Stainless steel
Finishes:	US32/629, US32D/630, US28/628, 314E

Leather Options:

English bridle leather



B-LBRN
(Light Brown)



B-BUR
(Burgundy)



B-MBRN
(Medium Brown)



B-DBRN
(Dark Brown)



B-BLK
(Black)

Upholstery leather



U-DBRN
(Dark Brown)



U-BLK
(Black)

Part No.	Description	Finishes	Mounting Hardware Options	Options
RM2110	MezzoTek Stepped Post	US32/629, US32D/630, 314E	BTBHD - Back to Back Heavy Duty DTBHD - Decorative Thru Bolt Heavy Duty	Specify Leather Color
RM2510	SoftMet Santoprene™ Grip			
RM3301	MegaTek Post Mount	US32/629, US32D/630, US28/628, 314, 314E		
RM3210/RM3401	NeoMax Post Mount GripZone	US32/629		
RM6010/RM6061	English Bridle Leather Surface Wrapped	US32/629, US32D/630, 314E		
RM6310	English Bridle or Upholstery Leather Flush Wrapped			
RM7910	GeoMetek Narrow Profile		BTB - Back to Back	

ASSA ABLOY

The global leader in
door opening solutions

Rockwood Decorative Door Pulls (continued)



RM2110



RM2510



RM3301



RM3210/RM3401



RM6010/RM6061



RM6310



RM7910

ASSA ABLOY

The global leader in
door opening solutions

Rockwood Door Pulls

Product Features

- Solid stainless steel inserts brazed into ends provide solid surface area for mounting systems
- Lighter weight tubular pulls reduce environmental impact
- Heavy duty mounting features hex drive for positive tightening and oversized fasteners for superior strength

Specifications

Pull Bar Projection:	3 ¹ / ₂ " stainless steel 3" aluminum
Push Bar Projection:	2 ³ / ₄ "
Grip Diameter:	1"
Door Thickness:	1/4" to 1"
Base Material:	Stainless steel, aluminum
Finishes:	US32/629, US32D/630, US28/628, 314E



Part Numbers

Part No.	Description	Center-to-Center	Overall Length	Mounting Hardware Options
110-RKW	Straight Door Pulls	8"	9"	<ul style="list-style-type: none"> • BTB - Back-to-Back • HDBTB - Heavy Duty Back-to-Back • DTB - Decorative Thru Bolt
111-RKW	<i>Note: Solid door pull. For Tubular, reference "T" in front of part number.</i>	10"	11"	
112		12"	13"	
118		18"	19"	
11047	Straight Single Bar Sets	8"	9"	<ul style="list-style-type: none"> • BTB/DTB - Back-to-Back/Decorative Thru Bolt • HDBTB/DTB - Heavy Duty Back-to-Back/Decorative Thru Bolt
11147	<i>Note: Solid door pull. For Tubular, reference "T" in front of part number.</i>	10"	11"	
11247		12"	13"	
11847		18"	19"	

ASSA ABLOY

The global leader in
door opening solutions

Door Controls

ASSA ABLOY door control solutions offer precision control, making interaction with the door almost effortless. Our product design is proven to be easy to install and maintain, with a long-life of reliability, and ASSA ABLOY door closers and operators are tested for compliance with the latest code requirements



ASSA ABLOY

The global leader in
door opening solutions

Copyright © 2017 ASSA ABLOY Inc. All rights reserved. Reproduction in whole or in part without the express written permission of ASSA ABLOY Inc. is prohibited.

RIXSON 609 Overhead Concealed Door Closer

The 609 offers reliable control of interior and exterior doors, while offering the minimal appearance preferred by top designers. A compact, cast iron body makes Rixson's 609 an easy fit for a wide range of applications and able to withstand abuse.

Product Features

- Medium-duty cast iron closer
- Adjustable spring size 1-3
- Double acting
- Center hung
- End load arms
- Non-handed
- Optional hold open assembly built into closer
- Separate closing and latching valves
- 5 mm extended spindle
- All weather fluid

Specifications

- Closer: OHC-609**
- 90° Back stop, non-hold open (OHC-609-90NHO)
 - 90° Back stop, hold open (OHC-609-90HO)
 - 105° Back stop, non-hold open (OHC-609-105NHO)
 - 105° Back stop, hold open (OHC-609-105HO)
 - Closer mounting clips pre-installed into finished header tube (header specified separately)

Maximum Door Weight: 200 lbs.

Maximum Door Width:

- Interior 42"
- Exterior 36"

Base Material:

- Cast iron body
- Radial ball bearing bottom pivot

Dimensions: 11³/₄" x 3³/₄" x 1¹/₂"

Finishes: US32/629, US32D/630, 314E

Patents, Approvals, Listings:

- Meets ANSI/BHMA A156.4, Grade 1
- UL / cUL listed for use on fire rated doors
- UL10C listed for positive pressure fire test
- Barrier free operation to comply with Federal Accessibility Standards (ADA); center pivoted applications comply with ANSI A117.1



Accessories

- Mounting Clips (OHC-609-MC)
- End Load Arm (OHC-609-ARM)



Pivot Options

- Door Rail Adjustable Endload Bottom Pivot (PV-ENDLOAD)
- Patch Fitting Floor Mounted Pivot (PF-FM-PIVOT)
- Patch Fitting Adjustable Pivot (PF-ADJ-PIV)



ASSA ABLOY

The global leader in door opening solutions

RIXSON 6280 Floor Closer

Ideal for larger, heavier doors where ANSI Grade 1 reliability and durability are required. Whether used offset or center hung, the 6280 concealed floor closer offers a minimal appearance that can fit the needs of a variety of openings.

Product Features

- Heavy-duty cast iron closer
- Adjustable spring size 3-6
- Double acting
- Center or offset hung
- Non-handed
- Separate closing, latching, and backcheck/DA valves
- Closer adjustable within cement case
- All weather fluid
- Variable hold open position (80-175 degrees)
- Variable delayed action
- Variable length 3° offset or straight spindles
- Stainless steel cover plate
- Walking beam or 3/4" offset top pivot

Specifications

Closer Body with Cement Case: FC-6280

Maximum Door Weight: 660 lbs.

Maximum Door Width:

- Interior 54"
- Exterior 48"

Base Material:

- Cast iron closer body
- Stainless steel cover plate
- Zinc plated steel cement case

Finishes: US26/625, US32D/630, 314E

Patents, Approvals, Listings:

- ANSI standard A156.4, Grade 1
- UL/cUL listed for use on fire rated doors



Optional 3/4" offset arm



Pivot Options

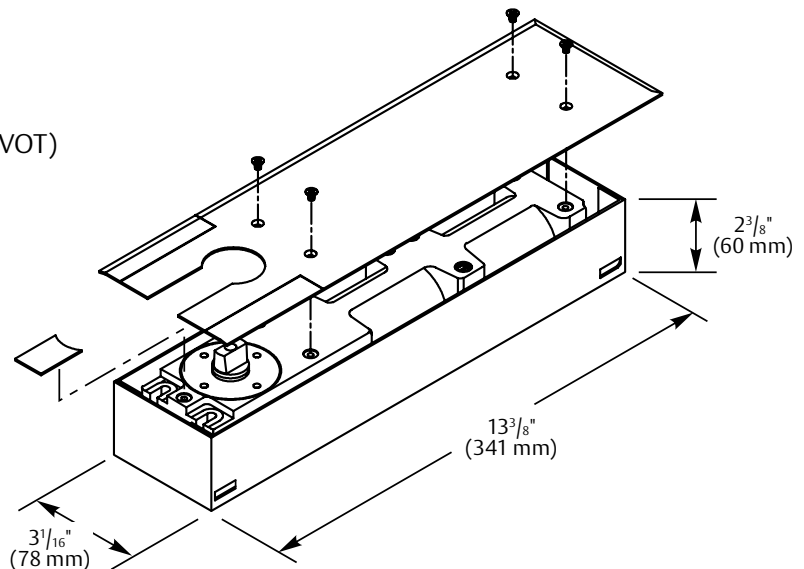
- Walking Beam Pivot (PV-WALKBEAM)



- Patch Fitting Surface Mounted Pivot (PF-SM-PIVOT)



- 3/4" Offset Top Pivot (PV-180)



ASSA ABLOY

The global leader in door opening solutions

RIXSON 6275 Floor Closer

The perfect solution for smaller doors where the durability and minimal aesthetic of a concealed floor closer are necessary. Highly adaptable and able to be offset or center hung, the 6275 can fit the needs of nearly any light opening.

Product Features

- Heavy-duty cast iron closer
- Adjustable spring size 1-4
- Double acting
- Center or offset hung
- Non-handed
- Variable length 3° offset or straight spindles
- Separate closing and latching valves
- Closer adjustable within cement case
- All weather fluid
- Stainless steel cover plate
- Walking beam or 3/4" offset top pivot

Specifications

- Closer Body with Cement Case FC-6275:**
- 90° Hold open (FC-6275-90HO)
 - 105° Hold open (FC-6275-105HO)
 - 105° Non-hold open (FC-6275-105NHO)

Maximum Door Weight: 330 lbs.

Maximum Door Width:

- Interior 42"
- Exterior 36"

Base Material:

- Cast iron body
- Stainless steel cover plate
- Zinc plated steel cement case

Finishes: US26/625, US32D/630, 314E

Patents, Approvals, Listings: ADA compliant

Pivot Options

- Walking Beam Pivot (PV-WALKBEAM)



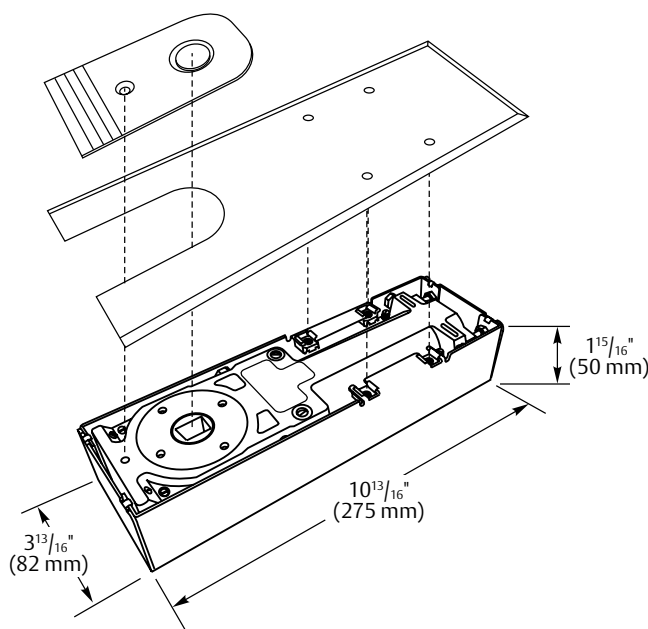
- Patch Fitting Surface Mounted Pivot (PF-SM-PIVOT)



- 3/4" Offset Top Pivot (PV-180)



Optional 3/4" offset arm



ASSA ABLOY

The global leader in
door opening solutions

RIXSON 28 Single-Acting Center Hung Floor Closer

Floor closers provide the best mechanical means to support and control a door with a concealed aesthetic that is also vandal resistant. The 28 floor closer's heavy-duty construction, including one-piece spindles, offers additional support to better handle heavier and/or high-traffic doors.

Product Features

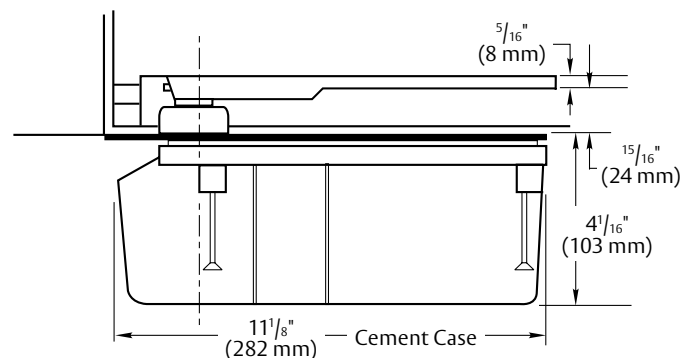
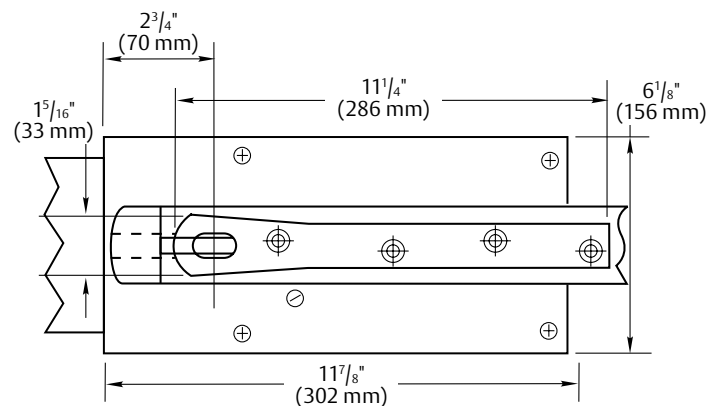
- Center hung
- Single acting, handed
- Separate and independent closing, latching, and backcheck valves
- Built-in positive dead stop
- Hold open options available
- Available with floor plate or threshold installation (floor plate shown)
- Extended spindles available in $\frac{1}{2}$ " increments up to 2" longer than standard

Specifications

Closer:	FC-28 FC-PH28
Maximum Door Weight:	350 lbs.
Maximum Door Size:	4'0" x 8'6"
Base Material:	Cycolac, rustproof cement case
Finishes:	US26D/626, 314E
Patents, Approvals, Listings:	Meets ANSI/BHMA A156.4, Grade 1 requirements
Options	Selective hold open: <ul style="list-style-type: none"> • (90S) 90° Hold open • (105S) 105° Hold open • (PH) Factory set - 5 lbs. (Interior); 8-1/2 lbs. optional (Exterior) (available upon request)

Pivot Options

- Walking Beam Pivot (PV-WALKBEAM)

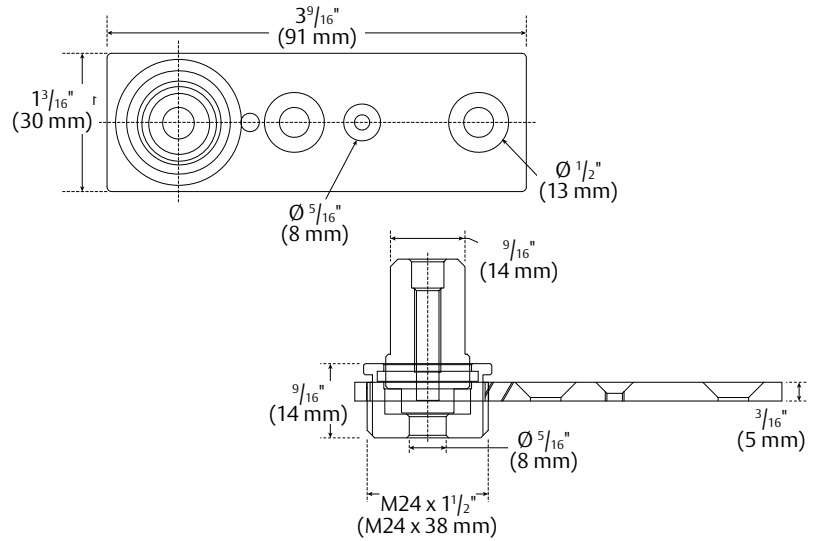


ASSA ABLOY

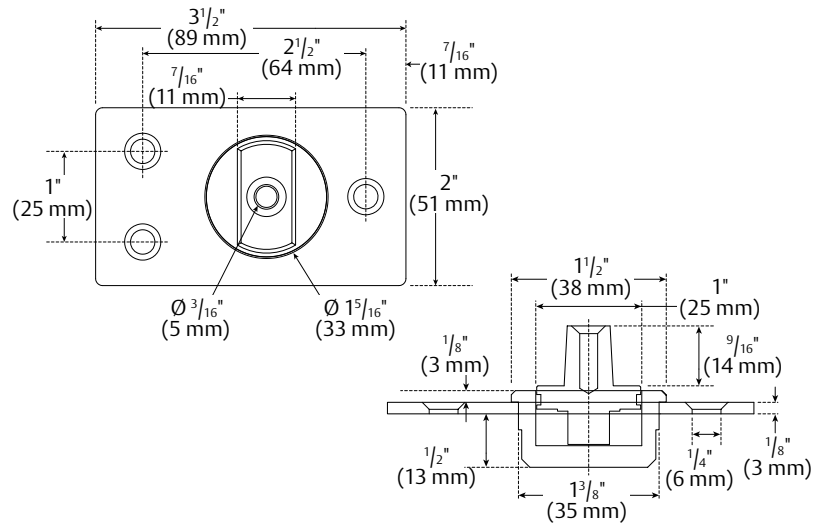
The global leader in
door opening solutions

Pivots (continued)

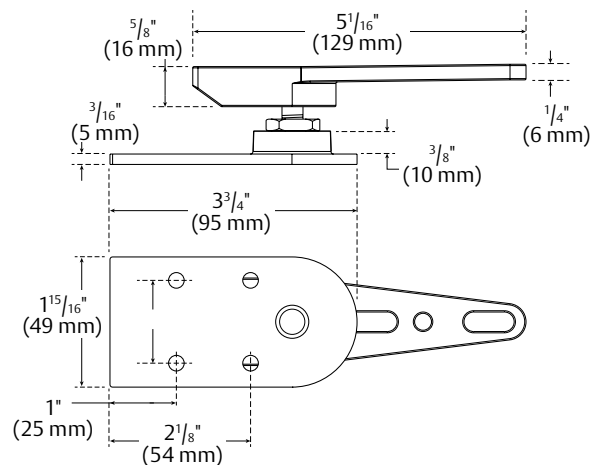
Adjustable Pivot (PF-ADJ-PIVOT)



Floor Mount Pivot (PF-FM-PIVOT)



Adjustable End Load Bottom Pivot (PV-ENDLOAD)

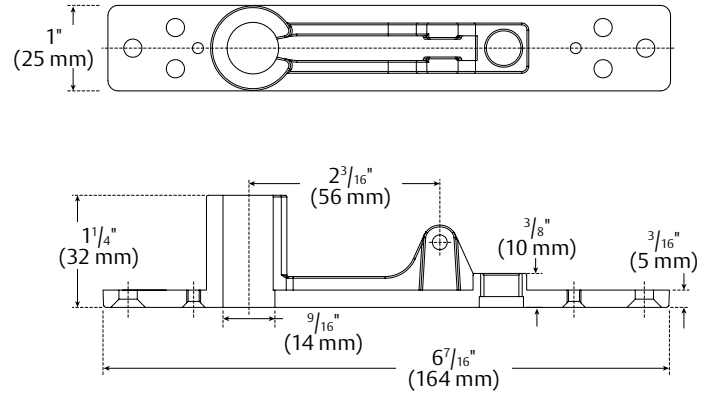


ASSA ABLOY

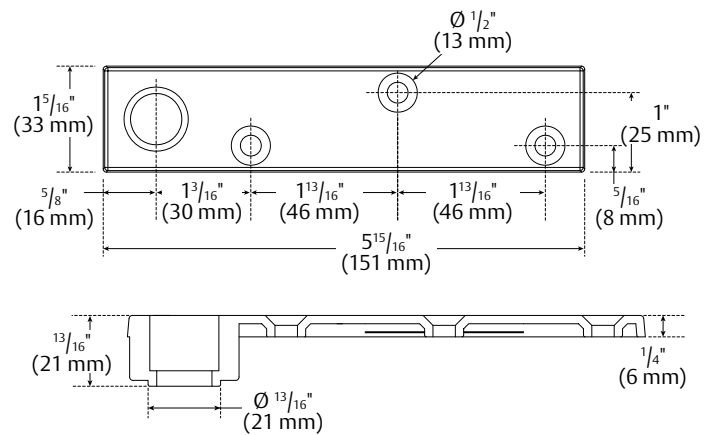
The global leader in door opening solutions

Pivots (continued)

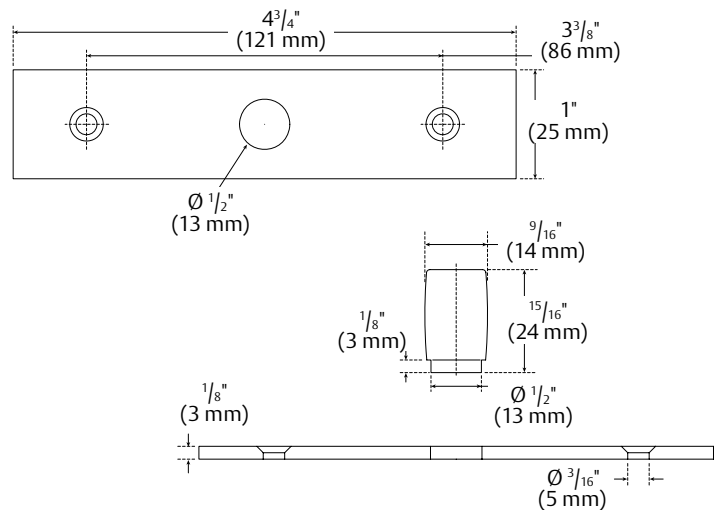
Walking Beam Pivot - Header (PV-WALKBEAM)



Walking Beam Pivot - Door Rail (PV-WALKBEAM)



Surface Mount Pivot (PF-SM-PIVOT)



ASSA ABLOY

The global leader in door opening solutions

NORTON 5710 Low Energy Power Operator

This operator installs in minutes rather than hours and consists of three basic components: inverter, motor and door closer body. Norton's 5710 can function as a standard door closer, allowing the door to be opened manually and closed automatically due to the internal door closer spring force.

Product Features

- Pull side mounting unit
- Operates as mechanical surface closer during closing cycles, when door is opened manually, or if power is turned off
- Easy-to-install and set up
- Non-handed
- Obstruction detection (open)
- Unit activation options include wall switches, motion sensors & radio frequency device
- External On/Off switch
- Features NORTON 1601 Series Door Closer
 - Adjustable hydraulic backcheck
- Adjustable hold-open: 0 to 30 seconds
- 2-year warranty

Specifications

- Operator:** OP-5710
- Power Input:** 120VAC, 60Hz
- Current Draw** .6A
- Relay Output:** SPDT - N.O./N.C. (jumper)
- Base Material:** Steel
- Dimensions:**
- Body with cover: 29" x 5¹/₄"
 - Body projection: 4³/₈"
 - Track assembly: 23"
- Finishes:** US28/689, US20/690
- Patents, Approvals, Listings**
- ANSI/BHMA A156.19 certified
 - Meets ANSI/BHMA A156.4 requirements
 - UL / cUL listed for use on fire rated doors
 - UL10C listed for positive pressure fire test
 - Complies with the Americans with Disabilities Act (ADA)
 - This product is manufactured in an ISO 9001 facility



ASSA ABLOY

The global leader in
door opening solutions

NORTON 5710 Low Energy Power Operator (continued)

Accessories

#679 Signage Kit (supplied standard)



(1 per switch)



(1 per switch)



(2 per operator)

700 Wave to Open Switch

- Single-gang and double-gang packaged together
- Sensor requires movement for activation
- Variable relay – hold time from 0-35 seconds
- Range 0" to 4"
- Dimensions:
3" W x 4³/₄" H (single)
4¹/₂" W x 4¹/₂" H (double)



Touchless Wall Switch (OP-700-SGL)



Touchless Wall Switch (OP-700-DBL)

Activating Door Switches

- 6" W x 6" H
- 9 volt battery
- 15 amp @ 125 VAC
- Flush mounted
- Stainless steel with blue letters
- 531 and 533 - radio frequency (433MHz). Used with RF option and 539. Surface mount boxes are included.
- 505 and 506 - hard wired*. Surface mount boxes are not included. If required, specify: 555 - 6" square surface mount box 557 - 6" round surface mount box.

*Switches may also be installed with single or double gang electrical box using fasteners included.

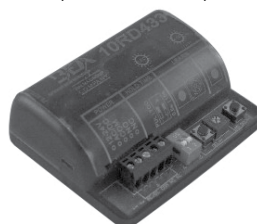


Square Push Buttons (OP-505-PB/OP-531-PB)



Round Push Buttons (OP-506-PB/OP-533-PB)

Radio Frequency Receiver (OP-539-RFR)



433 Mhz

ASSA ABLOY

The global leader in door opening solutions

Mechanical Locking Hardware

Good design and security go hand-in-hand with our mechanical locking options. ASSA ABLOY offers a variety of locks and dead bolts to secure your opening.



ASSA ABLOY

The global leader in
door opening solutions

Copyright © 2017 ASSA ABLOY Inc. All rights reserved. Reproduction in whole or in part without the express written permission of ASSA ABLOY Inc. is prohibited.

Rockwood Locking Door Pulls

The Locking Pull System integrates a contemporary post mount style door pull with a dead bolt locking system. Engineered for smooth attachment, the locking pull is manufactured to ensure strength and durability with clean and appealing lines.

Product Features

- Key operated from outside; turn piece on inside
- Multiple locking options: up, down or both
- Bolt location: 2" from face of door to centerline of bolt
- Bolt has $1\frac{3}{16}$ " travel with fine adjustment
- Horizontal push/pull bar option
- Dummy versions available
- Designed to suite with Rockwood architectural door pulls and accessories

Specifications

Pull Projection:	2 $\frac{5}{8}$ "
Cylinder Projection:	3 $\frac{1}{2}$ "
Grip Diameter:	1 $\frac{1}{4}$ "
Center-to-Center and Overall Length:	Specify
Mounting Hardware:	Back-to-back (BTB)
Door Thickness:	For glass doors $\frac{3}{8}$ " to $\frac{7}{8}$ " thick (alternate thicknesses available upon request)
Base Material:	Stainless steel
Finishes:	US32D/630, US32/629, 314E
Thumbturn Options:	<ul style="list-style-type: none"> • Large thumbturn; specify ADA • Standard thumbturn
Locking Pull Model Options:	<ul style="list-style-type: none"> • DBU (half-height, dead bolt up) • DBD (half-height, dead bolt down) • FHU (full-height, bolt up) • FHD (full-height bolt down) • PMPB (horizontal push/pull bar; available on DBU and DBD models only)



Cylinder Options

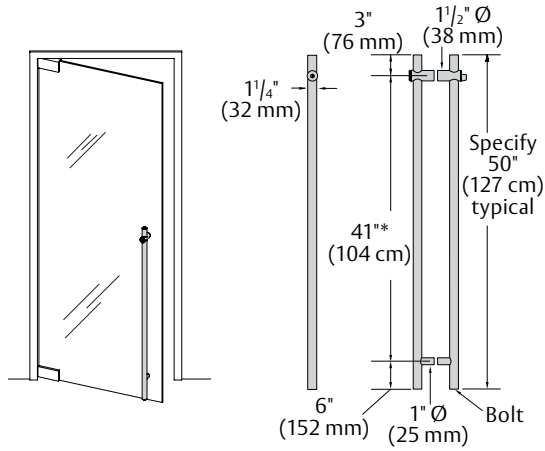
- Code 02** Small format interchangeable door housing, 7-pin (SFIC)
- Code 03** Small format interchangeable core housing w/plastic constructions core, 7-pin (SFIC)
- Code 05** Customer supplied cylinder
- Code 07** Dummy cylinder
- Code 08** Privacy function - keyless locking function

ASSA ABLOY

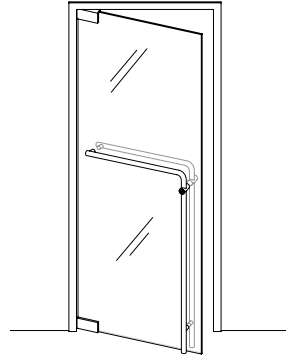
The global leader in
door opening solutions

Locking Door Pull Model Options

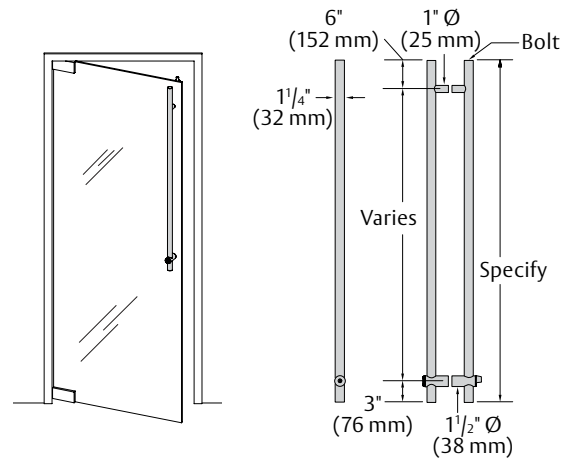
DBD - Dead Bolt Down, Half-Height



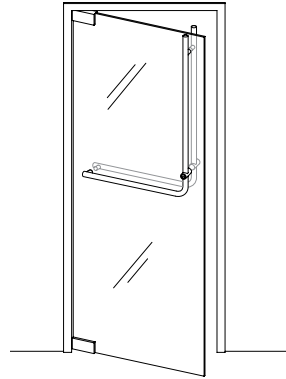
DBDPMPB - Dead Bolt Down With Horizontal Bar



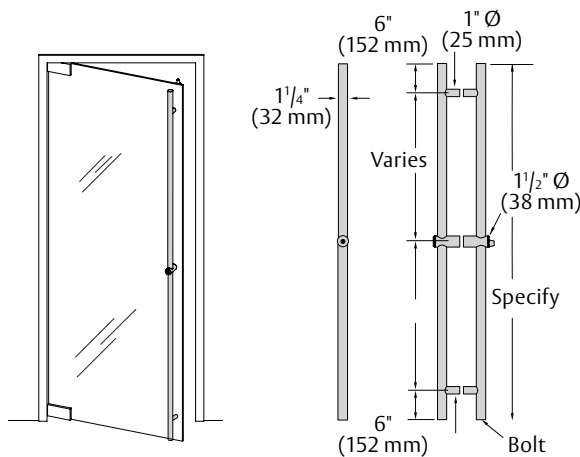
DBU - Dead Bolt Up, Half-Height



DBUPMPB - Dead Bolt Up With Horizontal Bar



FHD/FHU - Dead Bolt Up Or Down, Full-Height



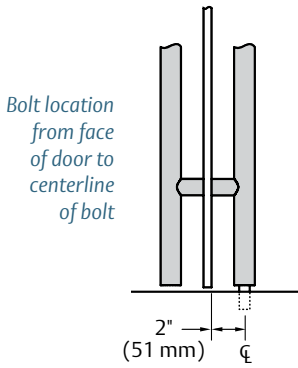
Notes: Pulls are available in various sizes to fit job conditions. For ADA requirements, cylinder must be located 34" to 48" above finished floor. Minimum clearance from pull to finished floor is 3/8" at factory settings.

ASSA ABLOY

The global leader in door opening solutions

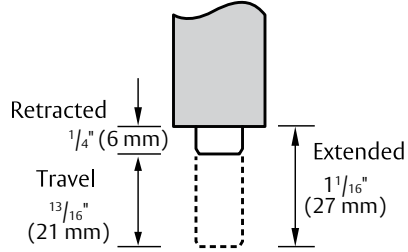
Locking Door Pull Model Options

Location From Door



All glass door applications include a bushing and washer to insulate the glass from the pull. Sturdy fasteners securely attach the pull to the door making for a durable, trouble free installation. Simple glass prep requires two (or three) round holes.

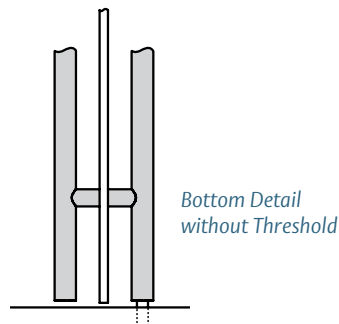
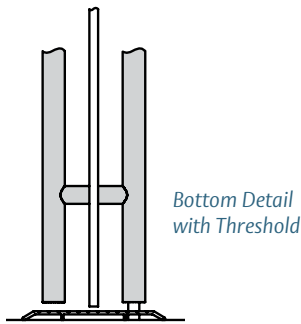
Bolt Adjustment



Adjusts $\frac{1}{4}"$ in and out from the shown factory settings.

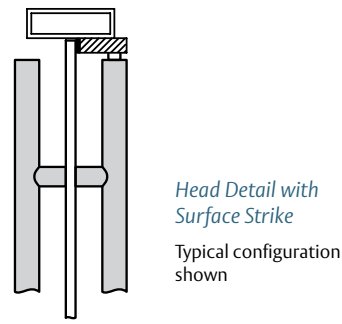
Bolt Into Floor Models - Detail At Floor

- DBD, FHD, FHB



Bolt Into Head Models - Detail At Head

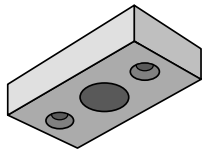
- DBU, FHU, FHB



Strike Options

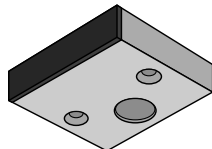
Top Strikes

LPS01



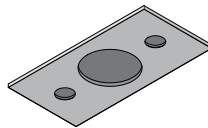
$\frac{3}{4}"$ x $1\frac{1}{2}"$ x 3"
(19 mm x 38 mm x 76 mm)

LPS02 (rubber stop)



$\frac{3}{4}"$ x $2\frac{1}{2}"$ x 3"
(19 mm x 64 mm x 76 mm)

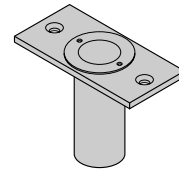
LPS03



$\frac{1}{20}"$ x $1\frac{1}{8}"$ x $2\frac{1}{4}"$
(1.2 mm x 29 mm x 57 mm)

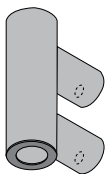
Bottom Strikes

570



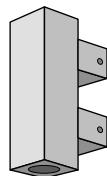
Dust Proof Strike
Face Plate: $1\frac{3}{8}"$ x $2\frac{7}{8}"$ (35 mm x 73 mm)

LPS04



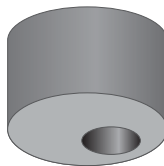
$1\frac{1}{4}"$ dia. x $4\frac{1}{2}"$
(32 mm dia. x 114 mm)

LPS05



$1\frac{1}{4}"$ sq. x $4\frac{1}{2}"$
(32 mm sq. x 114 mm)

LPS06



2" dia.
(50.8 mm)

ASSA ABLOY

The global leader in door opening solutions

YALE® 8800 Series Mortise Locks

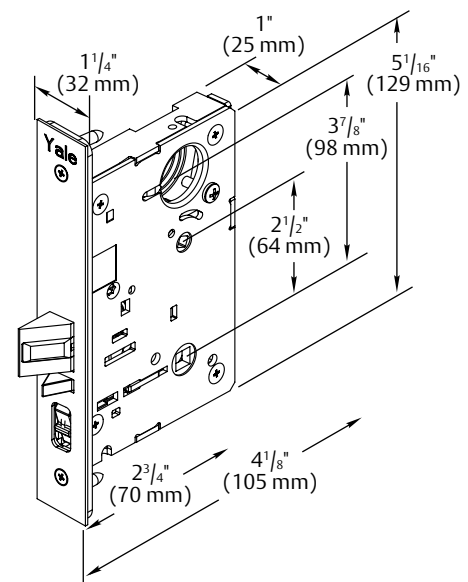
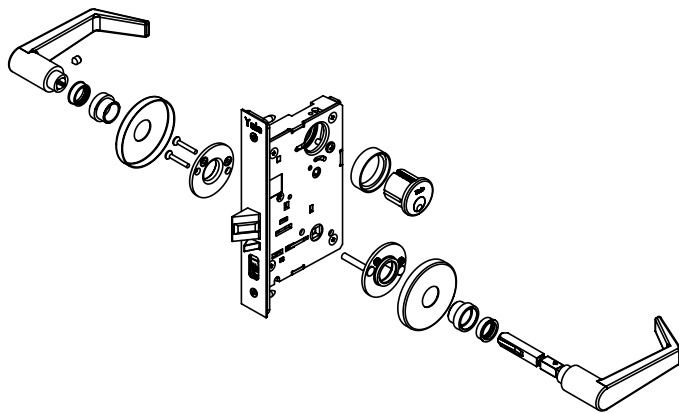
The 8800 Series mortise lock from YALE® provides superior strength and security where your facility needs it the most. The dependable design has ANSI/BHMA Grade 1 certification and can withstand the demands of routine use. With several trim and finish options, these locks offer a solution for every aesthetic.

Product Features

- Works with Center Lock Patch
- 3 Mechanical Functions
 - Passage (ANSI F01)
 - Entry (ANSI F04)
 - Office/Classroom
- Field reversible
- 10-year mechanical warranty
- Trim Options
 - 11 lever styles: four standard, seven decorative
 - Internal heavy-duty spring cartridge prevents lever sag
 - Through-bolted installation ensures positive alignment of trim with lock case
- 1 rosette

Specifications

- Armor Front:** 8" x 1¹/₄"
- Latchbolt:** 3³/₄" throw, stainless-steel, one-piece, anti-friction
- Backset:** 2³/₄"
- Hubs:** 3³/₈" solid steel, fine-blanked and heat treated for additional strength
- 2815 Curved Lip Strike:** 1¹/₄" long; non-handed
- Cylinder Options:** Ordered separately
- Base Material:**
- Case - wrought steel, zinc dichromated
 - Levers – solid cast brass
- Finishes:** US14/618, US15/619, 314E
- Patents, Approvals, Listings:**
- ADA compliant – ANSI A117.1
 - ANSI/BHMA A156.13, Series 1000, Operational Grade 1
 - UL/cUL 3 Hour
 - Windstorm Certified (refer to local codes)



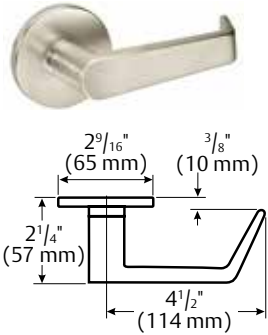
ASSA ABLOY

The global leader in
door opening solutions

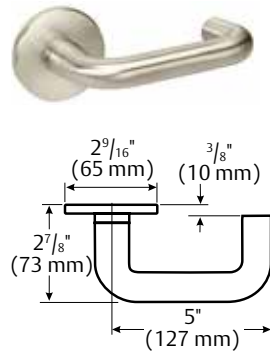
YALE® 8800 Series Mortise Lock Trim Offering

Standard Levers

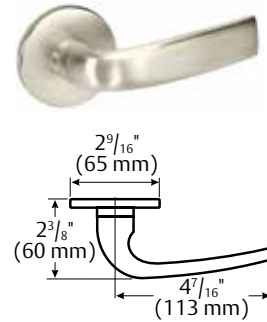
Augusta – AU



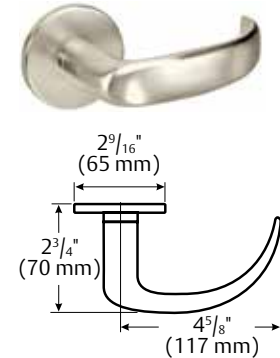
Carmel – CR



Jefferson – JN

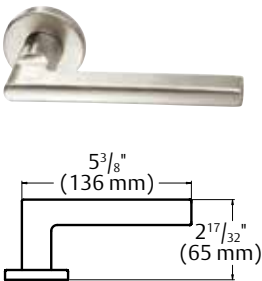


Pacific Beach – PB

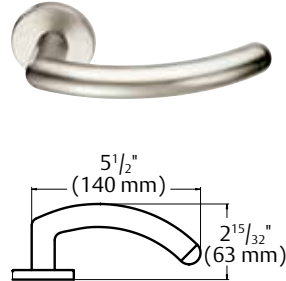


Reflections® Decorative Levers

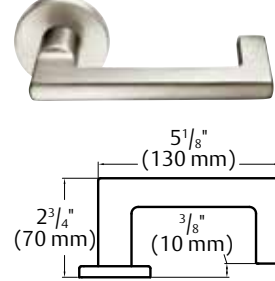
TB



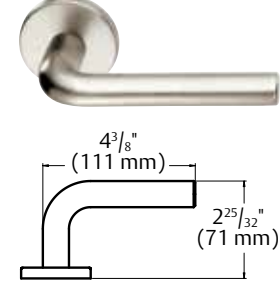
TR



UB



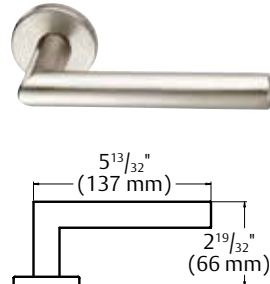
TN



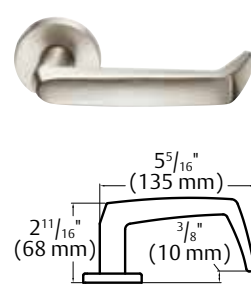
TC



TS

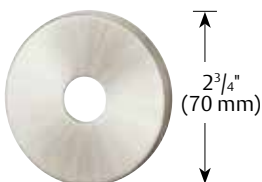


UC



Rosette

R3



ASSA ABLOY

The global leader in door opening solutions

YALE® 8800 Series Mortise Lock

Functions

Option	ANSI No.	Description	Illustration
Passage	F01	<ul style="list-style-type: none"> For doors that do not require locking Latchbolt retracted by lever either side at all times 	
Entry/Office	F04	<ul style="list-style-type: none"> For doors where locking is required Latchbolt retracted by lever either side, except when outside lever is locked by stopwork activator When outside lever is locked, latchbolt is operated by key outside and lever inside Deadlocking latchbolt 	
Office/Classroom	N/A	<ul style="list-style-type: none"> Latchbolt retracted by knob/lever either side unless outside knob/lever is locked by key outside or thumbturn inside Latchbolt retracted by thumbturn inside or key outside Inside knob/lever always active Deadlocking latchbolt 	

Mortise Locks How To Order

Lock	Function	Lever	Rose	Cylinder Info	Finish
ML	PAS – Passage ENT – Entry OFF – Office/Classroom	AU, CR, JN, PB TB, UB, TC, UC, TR TN, TS	R3	LC – Less Cylinder <i>(only specified on E and O functions)</i>	US14/618, US15/619, 314E

PART NUMBER EXAMPLES

Passage Lock: ML-PAS-TBR3.15

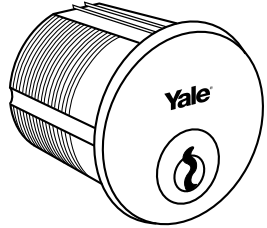
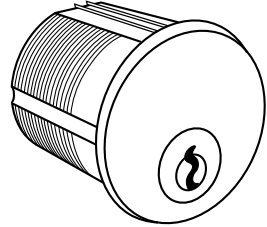
Entry Lock: ML-ENT-AUR3-LC.314E

ASSA ABLOY

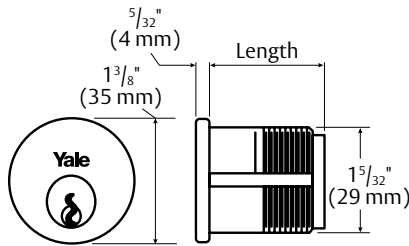
The global leader in
door opening solutions

YALE® 8800 Series Mortise Lock Cylinder Options

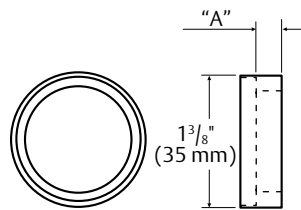
Mortise Cylinder Options

Application	Cam	Pins	Length	Keyway	Cylinder Collar	Illustration
Standard Cylinder	2160	6-Pin	1 ¹ / ₈ "	Para keyway, keyed random Para keyway, 0 bit	1765 1 ¹ / ₄ "	
Fixed Core Schlage "C" Keyway Cylinder	2160	6-Pin	1 ¹ / ₈ "	Keyed random	1765 1 ¹ / ₄ "	

Measurements

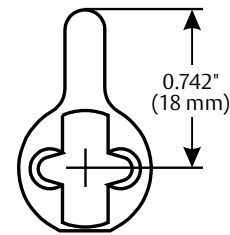


Collars



Glass Thickness	Collar Thickness ("A" Dimension)
1/2"	1/4"

Cam



Mortise Cylinders How To Order

Mortise Cylinder	Keyway	Collar Length	Finish
MC	PARA – Para keyway, keyed random SCHL – Schlage C keyway, random	250 (1/4)"	US14/618, US15/619, 314E

PART NUMBER EXAMPLES

- MC-PARA-250-KR.15
- MC-SCHL-250-OB.314E

ASSA ABLOY

The global leader in door opening solutions

Center Lock Housings

Center Lock Patch

- Patch housing for YALE® Mortise Lock*
 - Entry (CLH-ENT)
 - Office (CLH-OFF)
 - Passage (CLH-PAS)
- 6" W x 10"H
- Available for 1/2" thick glass
- Glass cut-out required
- No cement or silicone required for installation
- Handed
- 2-year warranty
- Finishes: US14/618, US15/619, 314E

*Custom options for Corbin Russwin/Sargent available

Patch	Function	Handing	Glass Sizes	Finishes
CLH	PAS – Passage	LH, LHR, RH, RHR	B, C	US14/618, US15/619, 314E
	ENT – Entry			
	OFF – Office/Classroom			

PART NUMBER EXAMPLES

- Passage Lock: CLH-PAS-LH-BC.15
- Entry Lock: CLH-ENT-RH-BC.314E



Entry/Office



Passage

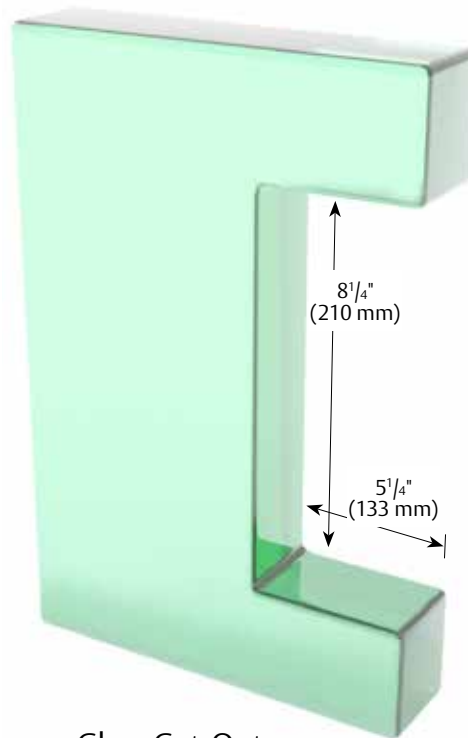
ASSA ABLOY

The global leader in
door opening solutions

Center Lock Housings (continued)

Center Patch Keeper (CLK)

- Opposite center lock patch on sidelite and double door applications
- Holds strike plate for 8800 mortise lock
- 6"W x10"H
- Available for 1/2" thick glass
- Glass cut-out required
- No cement or silicone required for installation
- 2-year warranty
- Finishes: US14/618, US15/619, 314E



Glass Cut-Out
Required

ASSA ABLOY

The global leader in
door opening solutions

Dead Bolts

Dead Bolt Lock (PF-DBLOCK)

- $2\frac{5}{8}$ " W x 6" H
- Available for $\frac{1}{2}$ " or $\frac{3}{8}$ " thick glass
- Glass cut-out required
- No cement or silicone required for installation
- 2-year warranty
- Finishes: US32D/630, US32/629, US28/628, 314



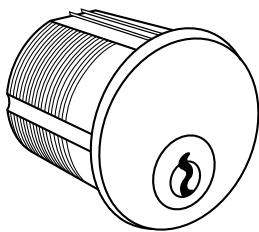
Dead Bolt Strike (PF-DBSTRIKE)

- $2\frac{5}{8}$ " W x 6" H
- Available for $\frac{1}{2}$ " or $\frac{3}{8}$ " thick glass
- Glass cut-out required
- No cement or silicone required for installation
- 2-year warranty
- Finishes: US32D/630, US32/629, US28/628, 314

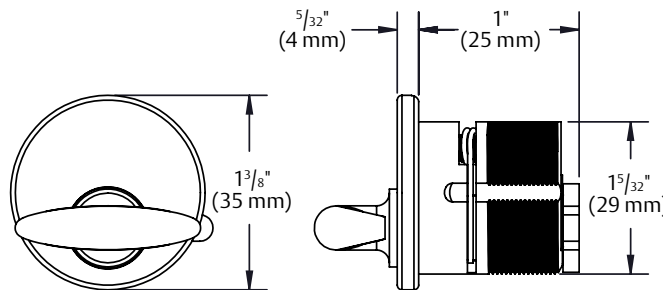


Dead Bolt Lock Cylinder and Thumbturn

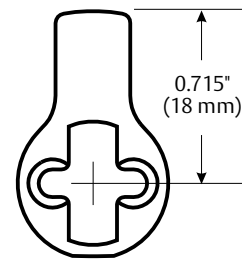
1" Cylinder (PFD-LOCKCYL)



1" Thumbturn (PFD-LOCKTT)



Cylinder Cam



ASSA ABLOY

The global leader in
door opening solutions

Electrified Hardware

ADAMS RITE and SECURITRON® lead the industry with their electrified hardware products. Whether you choose a Magnalock®, wireless reader, or touch lock, you get quality solutions for high traffic and high security applications.



ASSA ABLOY

SECURITRON® M32 Series Magnalock®

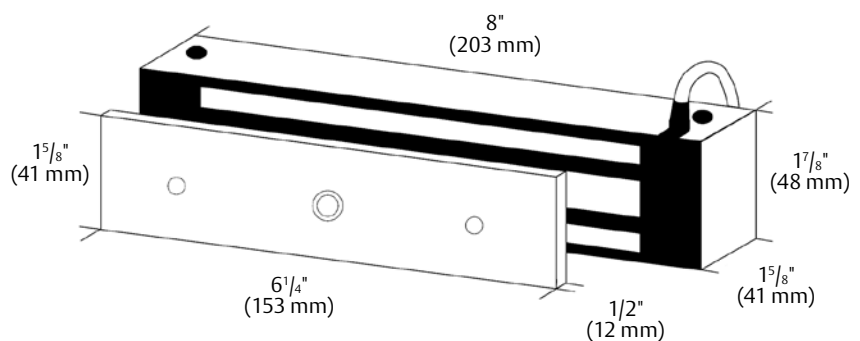
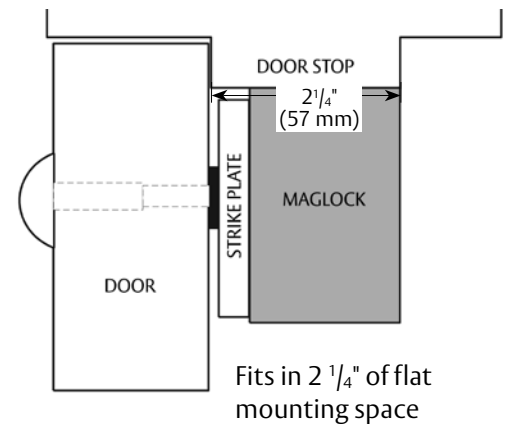
The M32 electromagnetic lock is ideal for traffic control in high-use areas within secured or monitored perimeters. With unsurpassed durability, the M32 will last long after most buildings wear out. Applications for when reliability, high durability, and low-maintenance are required.

Product Features

- Ultra-secure collapsing blind nuts mount to the door frame for strength and reliability
- Fully sealed for weather-proof operations
- 10 ft (3 m) of jacketed, stranded conductor cable
- Automatic dual-voltage - no field adjustment required
- Instant release circuit - no residual magnetism
- Noise suppression with included MOV
- Efficient, low-power usage
- Rust resistant - all ferrous metal surfaces plated for durability
- MagnaCare® lifetime replacement no fault warranty

Specifications

Holding Force:	600 lbs. (272 kg)
Electrical:	300 mA at 12 VDC; 150 mA at 24 VDC
Operating Temperature:	-40° F to +140° F (-40° C to +60° C); indoor or outdoor use
Base Material:	Stainless steel
Dimensions:	<ul style="list-style-type: none"> • Magnalock: 8" L x 1⁵/₈" D x 1⁷/₈" H • Strike: 6¹/₄" L x 1¹/₂" D x 1⁵/₈" H
Finishes:	US32D/630
Patents, Approvals, Listings:	<ul style="list-style-type: none"> • UL 10C Listed • CAN4-S104, CAN/ULC-S533 Listed • ANSI/UL294 Listed • CSA-C22.2 No.205 Listed • ANSI/BHMA A156.23, Grade 1; E08501-500 • CSFM-California State Fire Marshal Approved • MEA - City of New York Approved • CE: EN 50081-1(92), EN 61000-6-2(99) Approved • Patent: 8,094,017
Options:	<ul style="list-style-type: none"> • (B) BondSTAT magnetic bond sensor (MBS); patented • (D) Integrated door-position switch (DPS)
Part Number:	MAG-M32BD



ASSA ABLOY

The global leader in
door opening solutions

SECURITRON® M32-SS Split Strike Series Magnalock®

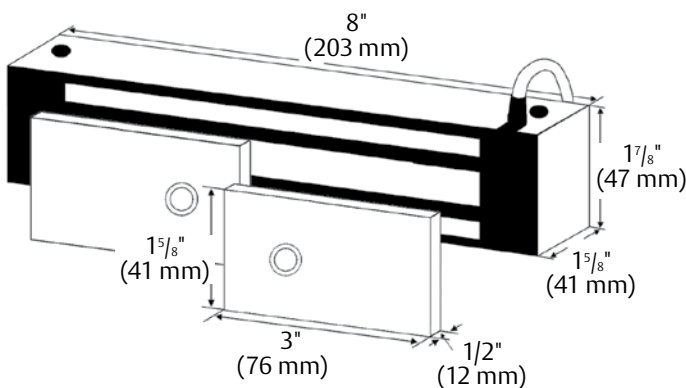
Now you can add asset control to your existing access control system with the durable, power-efficient M32-SS. Each strike plate of the M32-SS delivers 300 lbs. of holding force (600 lbs. total). Ideal for securing swinging doors that share a common center latching point.

Product Features

- Direct mount with common tools for strength and reliability
- Fully sealed for weather-proof operations
- 10 ft (3 m) of jacketed, stranded conductor cable
- Noise suppression with included MOV
- Automatic dual voltage; no field adjustment required
- Instant release circuit; no residual magnetism
- Efficient, low-power usage
- Rust-resistant; all ferrous metal surfaces plated for durability
- MagnaCare® lifetime replacement no-fault warranty

Specifications

Holding Force:	600 lbs. (272 kg) 300 lbs. (136 kg) per strike
Electrical:	300 mA at 12 VDC; 150 mA at 24 VDC
Operating Temperature:	-40° F to +140° F (-40° C to +60° C), indoor or outdoor use
Base Material:	Stainless steel
Dimensions:	<ul style="list-style-type: none"> • Magnalock: 8" L x 1⁵/₈" D x 1⁷/₈" H • Strike: 3" L x 1¹/₂" D x 1⁵/₈" H each
Finishes:	US32D/630
Patents, Approvals, Listings:	<ul style="list-style-type: none"> • Underwriters Laboratories (US and Canada): Files SA6635, BP7041 and R13976 • UL 10B and UL 10C, UL 294 • California State Fire Marshal: 3774-0923:101 • City of New York MEA: 251-95E and 254-95E • CE: EN 50081-1 (92) and EN 61000-6-2 (99) • Patent: 8,094,017
Options:	(B) BondSTAT magnetic bond sensor (MBS); patented
Part Number:	MAG-M32B-SS



ASSA ABLOY

The global leader in
door opening solutions

SECURITRON® M370 Series Magnalock®

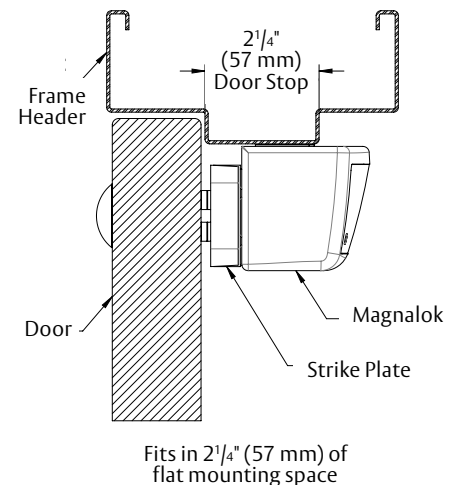
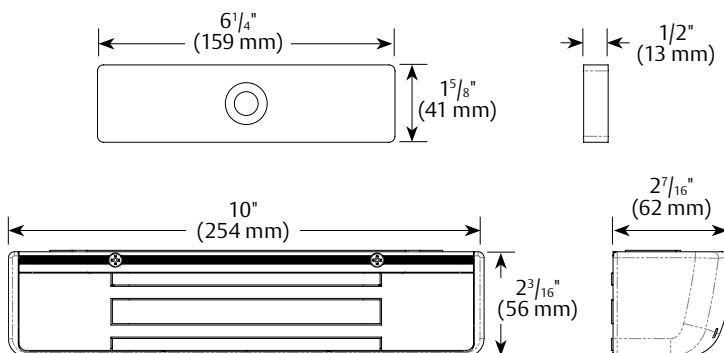
The M370 provides a strong hold, with a look refined enough for the most discriminating designer openings. With independently certified strength, ease of installation, and Magnalock® quality, the M370 delivers peace of mind in a stylish package.

Product Features

- Bracket mounting provides the easiest install for outswing doors
- Innovative install template for effortlessly accurate alignment between magnet and armature plate
- Sleek, low profile and refined lines for improved aesthetics
- LED visual locked status with configurable red/green color output
- Autosensing dual voltage with microprocessor technology
- Wire chamber with anti-tamper switch
- Efficient, low-power usage
- Size optimized for use with door closers
- MagnaCare® lifetime replacement no-fault warranty

Specifications

- Holding Force:** 600 lbs. (272 kg)
- Electrical:** 510 mA at 12 VDC; 270 mA at 24 VDC
- Operating Temperature:** +32° F to +110° F (0° C to +43° C); indoor use only
- Base Material:**
- Enclosure: plated zinc
 - Strike: stainless steel
- Dimensions:**
- Magnalock: 10" L x 2⁷/₁₆" D x 2³/₁₆" H
 - Strike: 6¹/₄" L x 1¹/₂" D x 1⁵/₈" H
- Finishes:** US28/628, US20A/313, US19/335,
- Patents, Approvals, Listings:**
- UL 10C Listed
 - UL 1034 Listed
 - CAN4-S104, CAN/ULC Listed
 - ANSI/BHMA A156.23, Grade 1; E18501-500, E18531-500
 - CSFM - California State Fire Marshal Approved
 - Patent Pending
- Part Number:** MAG-M370



ASSA ABLOY

The global leader in
door opening solutions

SECURITRON® M670 Series Magnalock®

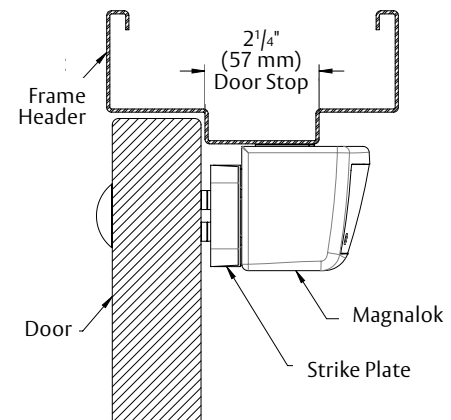
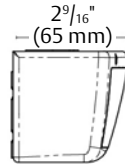
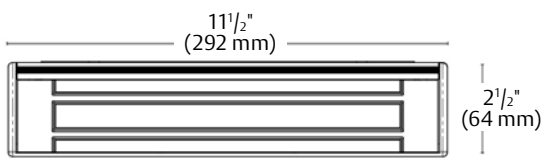
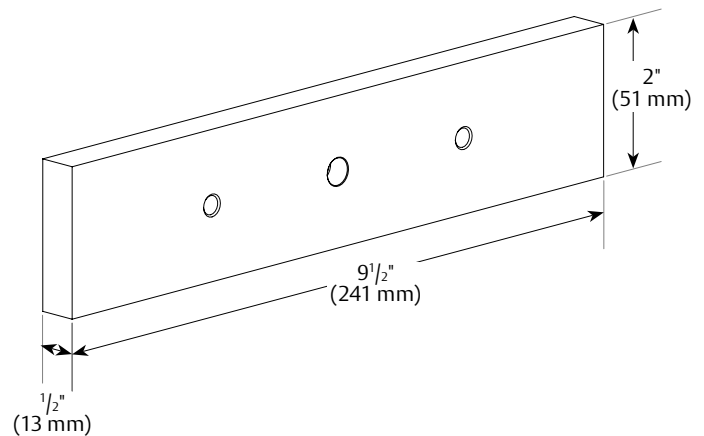
The M670 from Securitron® delivers ease of installation with unsurpassed style. The M670 offers streamlined features and the fastest, easiest, most secure installation of any bracket mount mag lock.

Product Features

- Bracket mounting provides the easiest install for out-swing doors
- Innovative templating for an effortlessly accurate alignment between magnet and armature plate
- Sleek, low profile and refined lines for improved aesthetics
- LED shows red or green for lock status indication
- Autosensing dual voltage with microprocessor technology
- Wire chamber anti-tamper switch
- Efficient, low-power usage
- Size optimized for use with door closers
- MagnaCare® lifetime replacement no-fault warranty

Specifications

Holding Force:	1,100 lbs. (499 kg)
Electrical:	575 mA (±10%) at 12 VDC; 275 mA (±10%) at 24 VDC
Operating Temperature:	+32° F to +110° F (0° C to +43° C); indoor use only
Base Material:	<ul style="list-style-type: none"> • Enclosure: plated zinc • Strike: stainless steel
Dimensions:	<ul style="list-style-type: none"> • Magnalock: 11½" L x 2⁹/₁₆" D x 2½" H • Strike: 9½" L x 1½" D x 2" H
Finishes:	US28/628, US20A/313, US19/335
Patents, Approvals, Listings:	<ul style="list-style-type: none"> • UL 1034 Burglary-Resistant Listed • UL 10C Listed • CAN4-S104, CAN/ULC Listed • UL 294 Recognized Component • ANSI/BHMA A156.23, Grade 1; E18501-1000 • CSFM- California State Fire Marshal Listed • Patents: D682,655; D690,576 • Patent Pending
Part Number:	MAG-M670



Fits in 2¼" (57 mm) of flat mounting space

ASSA ABLOY

The global leader in door opening solutions

SECURITRON® M380 Series Magnalock®

The M380BDX provides strong hold, in a stylish way. With unsurpassed intelligence, an integrated optional REX, and incredible ease of installation, it sets a new standard for mag locks. It offers a built in, auto voltage-sensing microprocessor along with Securitron's patented BondSTAT® and door position monitoring, plus advanced options such as REX for the most functional mag lock ever. The M380BDX look is refined enough for the most discriminating designer openings with consolidated features that eliminate the clutter of multiple devices around the door and the fastest, easiest, and most secure installation of any bracket mount mag lock.

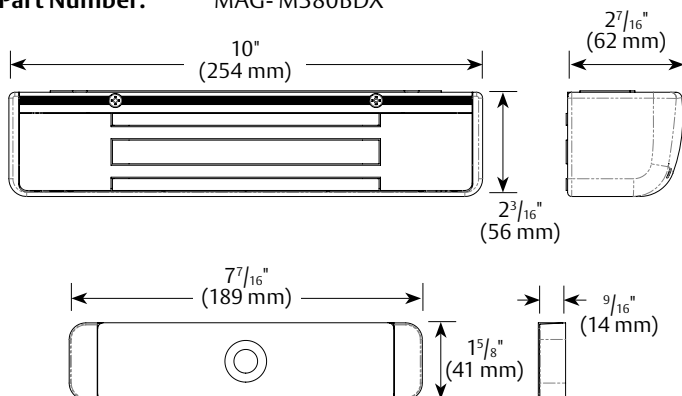
Product Features

- Bracket mounting provides the easiest install for outswing doors
- Innovative install template for effortlessly accurate alignment between magnet and armature plate
- Sleek, low profile and refined lines for improved aesthetics
- LED visual locked status with configurable red/green color output
- Autosensing dual voltage with microprocessor technology
- Wire chamber with anti-tamper switch
- Efficient, low-power usage
- Size optimized for use with door closers
- MagnaCare® lifetime replacement no-fault warranty
- Adjustable passive infrared (PIR) request to exit (REX)
 - Automatically cuts power to M380 for egress
 - REX output
 - Easily adjustable beam pattern
 - Adjustable relock timer technology

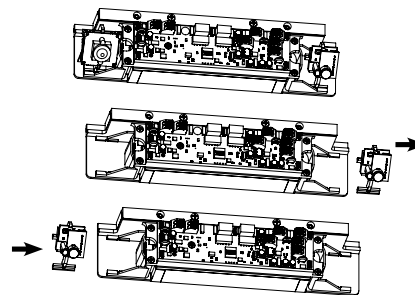
Specifications

- Holding Force:** 600 lbs. (272 kg)
- Electrical:**
- Magnalock power: 510 mA at 12 VDC; 270 mA at 24 VDC
 - PIR power: 25 mA at 12 VDC; 10 mA at 24 VDC
- Operating Temperature:** +32° F to +110° F (0° C to +43 °C); indoor use only
- Dimensions:**
- Magnalock: 10" L x 2⁷/₁₆" D x 2³/₁₆" H
 - Strike: 7⁷/₁₆" L x 9⁹/₁₆" D x 1⁵/₈" H
- Finishes:** US28/628, US20A/313, US19/335
- Patents, Approvals, Listings:**
- UL 10C Listed
 - UL 1034 Burglary-Resistant Listed
 - CAN4-S104, CAN/ULC Listed
 - ANSI/BHMA A156.23, Grade 1; E18501-500, E18531-500
 - CSFM - California State Fire Marshal Approved
 - Patent: 8,094,017
 - Patent Pending

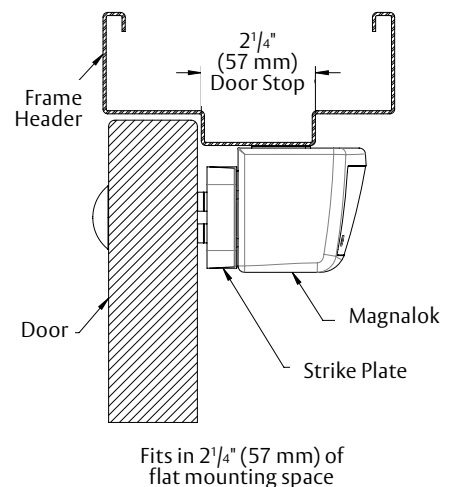
Part Number: MAG- M380BDX



The global leader in
door opening solutions



The REX is designed as a modular component that can be installed on either the left side or the right side of the magnet. The position of the REX module can be easily field configured for better positioning on the door.



SECURITRON® M680 Series Magnalock®

The M680BDX with an integrated request to exit (REX) from Securitron® provides optimum coverage for detecting an approaching person so the door unlocks for egress. The configuration of the passive infrared (PIR) beam allows the detection area to be tailored to your environment for better accuracy. Meet the smart, stylish, and secure mag lock with an integrated, adjustable, passive infrared request to exit.

Product Features

- Bracket mounting provides the easiest install for out-swing doors
- Innovative install templating for effortlessly accurate alignment between magnet and armature plate
- Sleek, low profile and refined lines for improved aesthetics
- LED visual locked status with configurable red/green color output
- BondSTAT™ lock bond sensor - patented
- Autosensing dual voltage with microprocessor technology
- Integrated door position switch
- Adjustable passive infrared (PIR) request to exit (REX)
 - Automatically cuts power to the M680 for egress
 - REX output
 - Easily adjustable beam pattern
 - Adjustable relock timer
- Wire chamber anti-tamper switch
- Efficient, low-power usage
- Size optimized for use with door closers
- MagnaCare® lifetime replacement no-fault warranty

Specifications

Holding Force: 1,100 lbs. (499 kg)

Electrical: Magnalock power

- 550 mA (±10%) at 12 VDC;
- 300 mA (±10%) at 24 VDC

REX power*

- 225 mA (±10%) at 12 VDC;
- 90 mA (±10%) at 24 VDC

Operating Temperature: +32° F to +110° F (0° C to +43° C); indoor use only

Base Material: Enclosure: plated zinc
Strike: stainless steel

Dimensions:

- Magnalock: 11¹/₂" L x 2⁹/₁₆" D x 2¹/₂" H
- Strike: 10⁷/₈" L x 9⁹/₁₆" D x 2" H

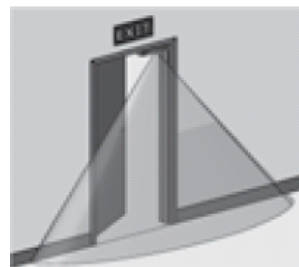
Finishes: US28/628, US20A/313, US19/335

Patents, Approvals, Listings:

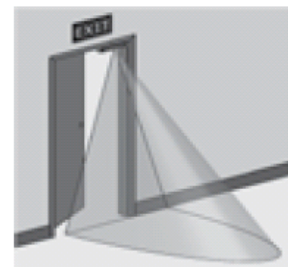
- UL 1034 Burglary-Resistant Listed
- UL 10C Listed
- CAN4-S104, CAN/ULC Listed
- UL 294 Recognized Component
- ANSI/BHMA A156.23, Grade 1; E18501-1000
- CSFM - California State Fire Marshal Listed
- Patents: D682,655; D690, 576; 8,094,017
- Patent Pending

Part Number: MAG-M680BDX

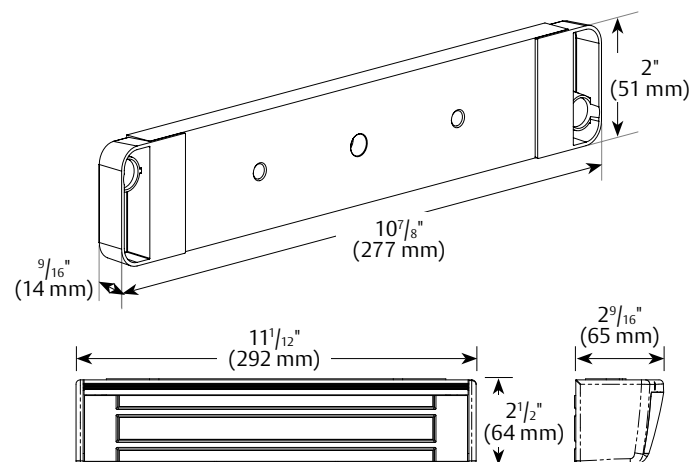
* A separate continuous power input is required to power the REX.



REX shown adjusted for hallways



REX shown adjusted for door approach



SECURITRON® Vista V2M600 Series Mag Lock

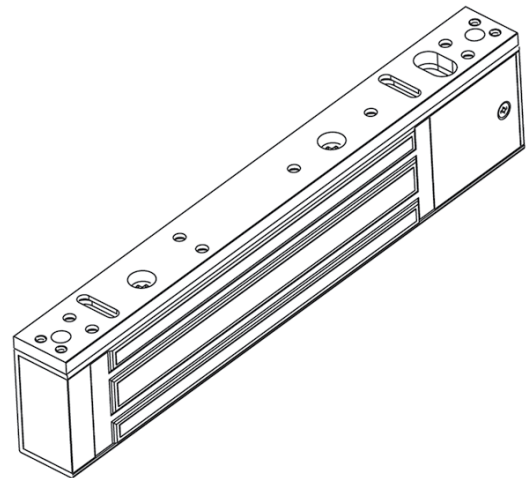
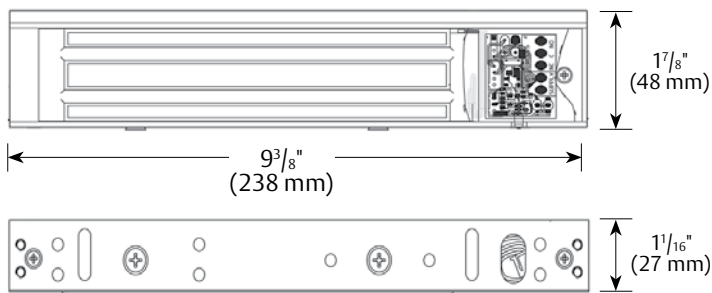
The affordable V2M600 offers traffic control for a wide selection of interior applications. Its field-selectable dual voltage and easy bracket-mount installation delivers Securitron® quality in a no-frills value package.

Product Features

- Adjustable bracket for easy installation
- Wire access chamber with plug-in connectors
- Dual-voltage; 12/24 VDC
- Instant release mechanism
- Rust-resistant; all ferrous metal surfaces plated for durability
- VistaCare® one-year, hassle-free, no-fault warranty

Specifications

Holding Force:	600 lbs. (272 kg)
Electrical:	520 mA at 12 VDC, 260 mA at 24 VDC
Operating Temperature:	+32° F to +110° F (0° C to +43° C); indoor use only
Base Material:	Enclosure: aluminum
Dimensions:	<ul style="list-style-type: none"> • Lock: 9³/₈" L x 1¹/₁₆" D x 1⁷/₈" H • Strike: 7¹/₄" L x 1¹/₂" D x 1¹/₂" H
Finishes:	US28/628
Patents, Approvals, Listings:	<ul style="list-style-type: none"> • UL10B • UL 10C Fire Rated, 1 hour • CAN4-S104 Listed • NFPA 101
Options:	<ul style="list-style-type: none"> • (B) BondSTAT magnetic bond sensor (MBS); patented • (D) Integrated door-position switch (DPS)
Part Number	MAG-V2M600DB



ASSA ABLOY

The global leader in
door opening solutions

SECURITRON® Vista V2M1200 Series Mag Lock

Get Vista Mag Lock value with 1,200 lbs. of holding force to secure interior and sheltered perimeter doors. With built-in arc suppression, the V2M1200 magnetic lock can be used with any access control system.

Product Features

- Easy-mount adjustable bracket
- Wire access chamber with plug-in connectors
- Dual-voltage 12/24 VDC
- Instant release, no hysteresis
- Non-aluminum parts are plated to resist corrosion
- Self drilling TEC screws
- E-Z mount system, no special tools required
- VistaCare® one-year, hassle-free, no-fault warranty

Specifications

Holding Force: 1,200 lbs. (544 kg)

Electrical: 520 mA at 12 VDC, 260 mA at 24 VDC

Operating Temperature: +32° F to +110° F (0° C to +43° C); indoor use only

Base Material Enclosure: aluminum

Dimensions:

- Lock: 10¹/₂" L x 1⁹/₁₆" D x 2⁷/₈" H
- Strike: 7⁵/₈" L x 5¹/₈" D x 2³/₈" H

Finishes: US28/628

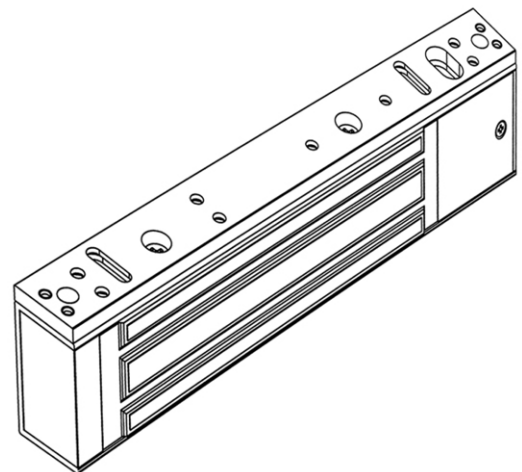
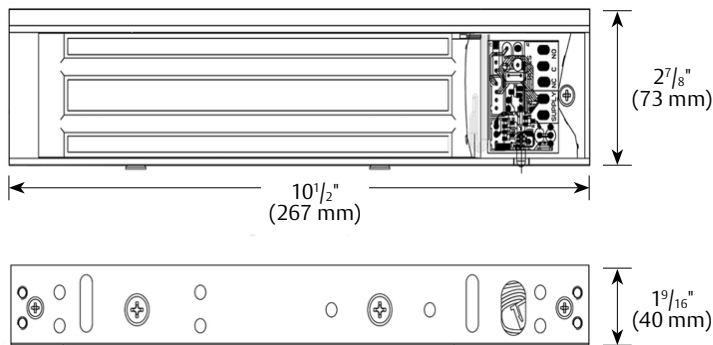
Patents, Approvals, Listings:

- UL 10C Fire Rated, 1 hour
- CAN4-S104 Listed
- NFPA 101

Options:

- (B) BondSTAT magnetic bond sensor (MBS); patented
- (D) Integrated door-position switch (DPS)

Part Number: MAG-V2M1200DB



ASSA ABLOY

The global leader in
door opening solutions

SECURITRON® SAM Shear Aligning Concealed Magnalock®

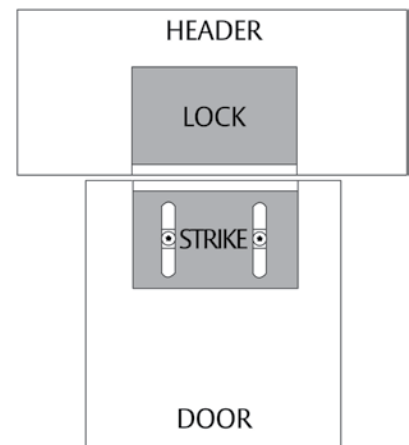
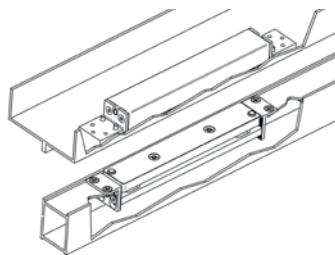
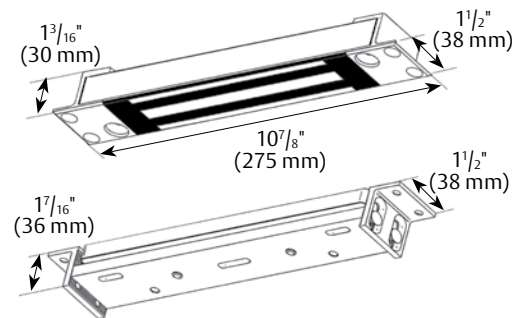
This concealed mag lock provides hidden strength at any angle for any application. The SAM Shear Aligning Magnalock® is ideal for traffic control or medium security and with its flexible mounting options, provides a solution for the most challenging door control situations. The SAM Shear Aligning Magnalock has mounting options for a single door or for each leaf on a pair of doors and can be a sliding, in-swing, out-swing, or swing-through door. It mounts fully concealed into Herculite doors in any position: at the header, door edge, or threshold.

Product Features

- Recessed for aesthetically appealing finish
- Fully sealed for weather-proof operations
- 10 ft (3.05 m) of jacketed, stranded conductor cable
- Automatic dual-voltage; no field adjustment required
- Instant release circuit; no residual magnetism
- Noise suppression with included MOV
- Efficient, low power usage
- Rust-resistant; all ferrous metal surfaces plated for durability
- MagnaCare® lifetime replacement no-fault warranty

Specifications

Holding Force:	1,200 lbs. (544 kg)
Electrical:	320 mA at 12 VDC; 170 mA at 24 VDC
Operating Temperature:	-40° F to +140° F (-40° C to +60° C); indoor or outdoor use; not for use in open channel doors
Base Material:	Stainless steel
Dimensions:	<ul style="list-style-type: none"> • Magnalock: 10⁷/₈" L x 1³/₁₆" D x 1¹/₂" W • Strike: 10⁷/₈" L x 1⁷/₁₆" D x 1¹/₂" W
Finishes:	US32D/630
Patents, Approvals, Listings:	<ul style="list-style-type: none"> • UL 10C Listed • UL/cUL GWXT.R13976 / GWXT7.R13976 • UL/cUL FWAX7.SA6635 • UL/cUL FWAX2.SA6635 / FWAX8.SA6635 • UL/cUL ALVY.BP7041 • CSFM - California State Fire Marshal Approved • CSFM 3774-0923:0101 • CSFM 3774-0923:0102 • CSFM 3774-0923:0103 • CAN4-5104, CAN/ ULC-S533 Listed • ANSI/UL 294 Listed • ANSI/BHMA A156.23, Grade 1; E08561-1000, E08571-1000, E08581-1000, E08591-1000 • CE:EN 50081-1(92), EN 61000-6-2(99) Approved • U.S. Patents: 6,007,119; 6,135,515; BondSTAT • Magnetic Bond Sensor - Patent: 8,094,017 • Foreign Patents: AU:741,880; China: ZL98809925.X; EU: 1,021,633
Part Number:	MAG-SAM-1224VDC



ASSA ABLOY

The global leader in
door opening solutions

SECURITRON® SAM2-24 Shear Aligning Concealed Magnalock®

The compact and versatile SAM2-24 Shear Aligning Magnalock provides 600 lbs. of holding force to swinging or sliding doors. It is ideal for traffic control and to secure smaller applications. The SAM2-24 mounts fully concealed into Herculite doors in any position: at the header, door edge, or threshold.

Product Features

- Direct mount to door frame for strength and reliability
- Compact design fits tight spaces
- Fully sealed for weatherproof operations
- 6 ft (1.8 m) of jacketed, stranded conductor cable
- Noise suppression with included MOVs
- Instant release circuit; no residual magnetism
- Efficient, low-voltage, low power usage
- Rust-resistant; all ferrous metal surfaces plated for durability
- MagnaCare® lifetime replacement no fault warranty

Specifications

Holding Force: 600 lbs. (272 kg)

Electrical: 62 mA at 24 VDC only

Operating Temperature: -40° F to +140° F (-40° C to +60° C);
indoor or outdoor use;
not for use in open channel doors

Base Material: Stainless steel

Dimensions:

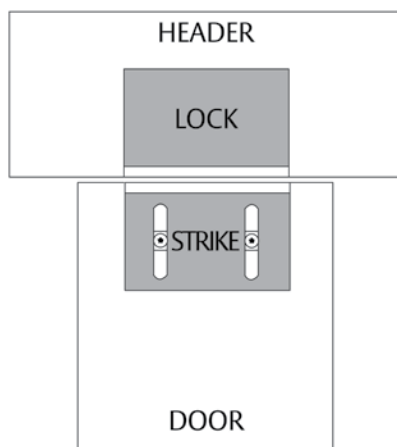
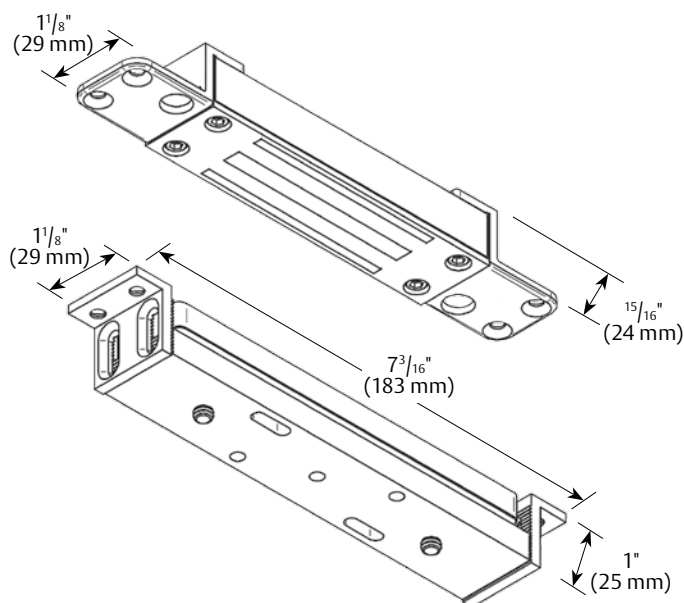
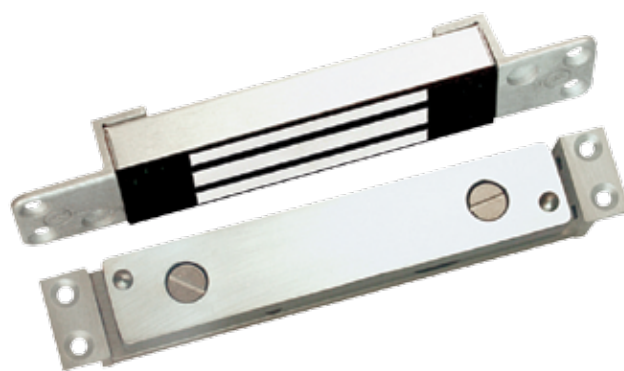
- Magnalock: $7\frac{3}{16}$ " L x $\frac{5}{16}$ " D x $1\frac{1}{8}$ " W
- Strike: $7\frac{3}{16}$ " L x 1" D x $1\frac{1}{8}$ " W

Finishes: US32D/630

Patents, Approvals, Listings:

- UL 10C Listed
- UL/cUL GWXT.R13976 / GWXT7.R13976
- CSFM - California State Fire Marshal Approved
- CSFM 3774-0923:0101
- CAN4-5104, CAN/ ULC-S533 Listed
- ANSI/UL 294 Listed
- ANSI/BHMA A156.23, Grade 1; E08571-1000, E08581-500
- US Patents: 6,007,119; 6,135,515
- Foreign Patents: AU: 741,880; China: ZL98809925.X; EU: 1,021,633

Part Number: MAG-SAM2-24VDC



ASSA ABLOY

The global leader in
door opening solutions

SECURITRON® Magnalock® Accessories

Securiton® offers a variety of accessories to meet your electromagnetic needs.

Dress Covers

- Attractive cover for the M32 Series Magnalock
- Install using foam adhesive tape
- Available in clear, black, and polished stainless finishes
- MagnaCare® lifetime replacement, no-fault warranty

Base Material: Stainless steel
Dimensions: 8" L x 2" D x 1⁵/₈" H
Finishes: US32/629, US28/628, US19/335
Part Number: MAG-DC32



Glass Door Bracket

- Permits strike plate installation on a solid glass door
- Adhesive mounting requires no drilling
- MagnaCare® lifetime replacement, no-fault warranty

Base Material: Aluminum
Dimensions: 6" L x 1⁵/₈" H
Finishes: US28/628
Part Number: MAG-GDB



Adhesive Kit for Glass Door Bracket

- Attaches Magnalock brackets to glass header
- Permanently bonds to glass using special industrial adhesive
- MagnaCare® lifetime replacement, no-fault warranty

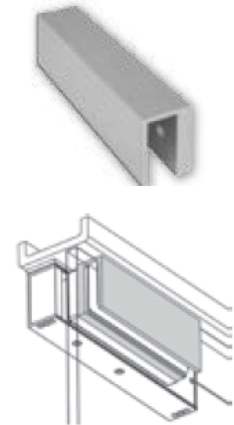
Brand: Loctite
Part Number: MAG-AGK



Glass Door Bracket for Vista Mag Lock

- Permits strike plate installation on a solid glass door
- Adhesive mounting requires no drilling
- Strike plate screws into the bracket, as glass doors cannot be drilled
- VistaCare® one-year, hassle-free, no-fault warranty

Base Material: Aluminum
Finishes: CL
Part Number: MAG-GDB-V2M



ASSA ABLOY

The global leader in
door opening solutions

SECURITRON® Magnalock® Accessories (continued)

Universal Header Bracket

- Used to extend the header 1" or 1½"
- Provides a concealed wiring chamber
- Use with M32, M62, M82, M38, M68, M370, M380, M670, M680
- MagnaCare® lifetime replacement, no fault warranty

Base Material: Aluminum
Finishes: US28/628, US19/335
Part Number*: MAG-UHB-XX-8
 MAG-UHB-XX-12

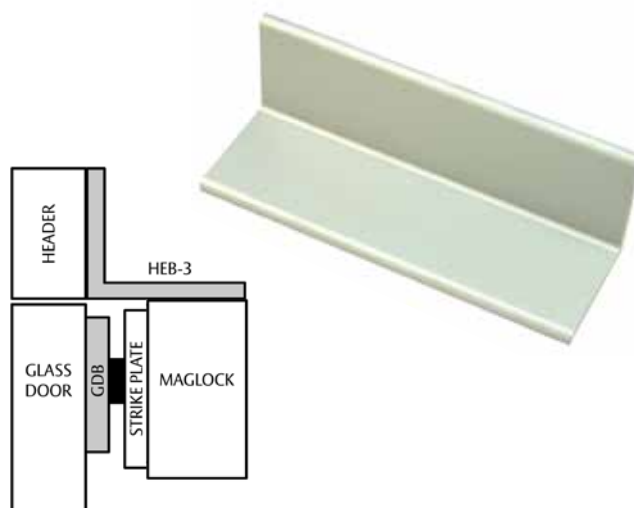


*List Magnalock® Series in place of XX.

Header Extension Bracket

- Allows for Magnalock installation on all-glass header when used with the adhesive mounting kit
- Use with M32, M62
- Specially milled back
- MagnaCare® lifetime replacement, no-fault warranty

Base Material Aluminum
Finishes US28/628, US19/335
Part Number MAG-HEB-X-X



Header Extension Bracket for Vista Maglock

- 90-degree angle bracket with lateral adjustability
- Extends narrow headers to permit proper mounting of Vista mag locks
- VistaCare® one-year, hassle-free, no-fault warranty

Base Material: Aluminum
Finishes: US28/628
Part Number: MAG-HEB-V2M600
 MAG-HEB-V2M1200



ASSA ABLOY

The global leader in
door opening solutions



ASSA ABLOY

The global leader in
door opening solutions

Copyright © 2017 ASSA ABLOY Inc. All rights reserved. Reproduction in whole or in part without the express written permission of ASSA ABLOY Inc. is prohibited.

ADAMS RITE® Digital Glass Door Lock

The RITE Touch® RT1050D digital door lock provides keyless access control for all-glass openings. The RITE Touch offers sophisticated styling, convenience, flexible access control, and safety and security for single or double glass doors. Perfect for indoor applications, the easy to install, surface-mounted RT1050D combines elegant aesthetics with the latest touch screen technology, to harmonize style and security.

Operation

The surface-mounted lock features two options for credential actuation on the secure side of the door: either by entering a user code using a touch-screen or by using the provided Mifare credential card. The lock features dual unlock from the inside of the door, either by thumbturn or by using an override button.

Product Features

- Thin, low profile, surface mounted design
- Easy installation requires no modification to glass
- Sleek touch screen interface
- Compatible with interior single or pairs of doors
- Access control via card reader or keypad
- Card reader supports up to 40 credential cards
- Battery powered with emergency access power capability
- Visible operation status
- Optional automatic locking
- Break-in and damage alarm
- Electronic shock resistant

Specifications

Door Thickness: $7/16"$ to $1/2"$ thick glass doors; indoor applications only

Twin Bolt Dimensions: $13/32"$ D with $1 1/8"$ throw; bolt extensions included separately for larger door gap; twin bolts included with $2 1/8"$ throw

Operating Temperature: $+5^{\circ}$ F to $+130^{\circ}$ F (-15° C to $+55^{\circ}$ C)

Shipping Weight: 6 lbs. (2.72 kg)

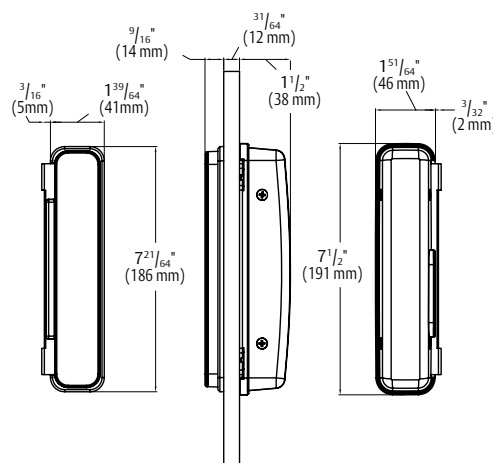
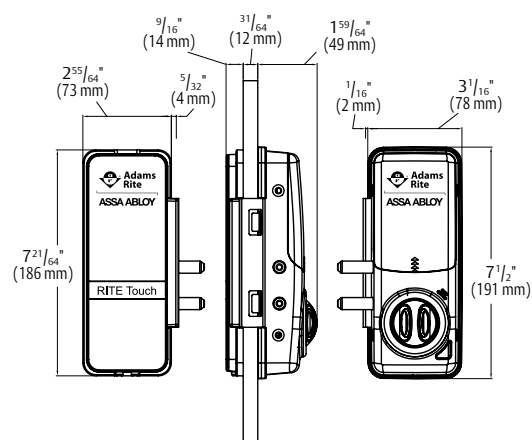
Base Material:
Front body: plastic
Back body: zinc, plastic

Dimensions:
Front body: $9/16"$ D x $2 7/8"$ W x $7 5/16"$ H
Back body: $1 15/16"$ D x $3 1/16"$ W x $7 1/2"$ H

Finishes: Mirrored black

Patents, Approvals, Listings: FCC Part 15 and IC Compliant

Part Number: DL-RT1050D



ASSA ABLOY

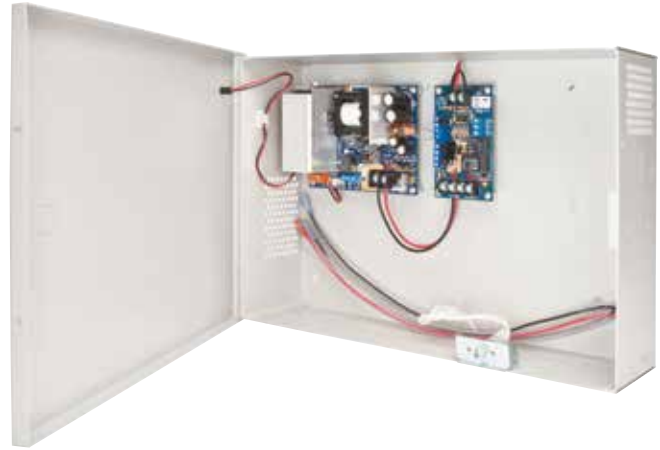
The global leader in
door opening solutions

SECURITRON® AccuPower® AQD3 Series

The Securitron® AccuPower® AQD3 Series of switching power supplies are dual-voltage, supervised units with battery charger. These units are field selectable, with a fast battery charge reserve. They provide 3 A at 12 VDC or 1.5 A at 24 VDC continuous, with up to eight (8) independently controlled, power-limited outputs.

Product Features

- Up to 3 Amp/12 VDC or 1.5 Amp/24 VDC total output. Rated up to 2.8 Amp/1.4 Amp continuous output
- Dual voltage 12 VDC/24 VDC field selectable
- Internal transformer
- Tolerates brownout or overvoltage input from 60-260 VAC
- Thermal shutdown protection with auto restart
- Circuit breaker protects against overcurrent and reverse battery faults
- Battery charger and power supervision
- Low battery disconnect prevents deep discharge
- Dedicated voltage enables faster battery charging even under full load
- MagnaCare® lifetime replacement, no fault warranty



Specifications

Electrical

Input Voltage	90 VAC - 240 VAC; 47 Hz - 63 Hz
Operating Range:	
Maximum Output Voltage:	36 VA; 3 A @ 12 VDC; 1.5 A @ 24 VDC
Continuous Output Voltage:	33.5 VA; 2.8 A @ 12 VDC, 1.4 A @ 24 VDC
Voltage Range:	9.8 VDC - 13.7 VDC/13.65 typical 20.0 VDC - 27.5 VDC/27.3 typical
Operating Frequency:	66 KHz
Onboard Power Output:	One class 2 power limited
Fuse Protection:	AC fuse: GMA: 2.2 Amp Battery: PTC 3 Amp Current overload: PTC, self-resetting Thermal runaway: PTC, Self-resetting
Supervision/Monitoring:	AC ON LED indicator: 6 mA DC ON LED indicator: 6 mA AC fail notification: SPDT form C 2 Amp Low battery: SPDT form C 3 Amp

Output Terminal Block Rating: 10 A

Output Wire Gauge Range: 14-28 AWG*

Maximum Output Per Channel: 4 channels @ 0.35 channel

Dimensions

Enclosure:	14" L x 9" W x 3.5" H
Power Board:	3.73" L x 4.84" W x 2" H
Mounting:	3.41" L x 4.5" W
Distribution Board:	3.75" L x 2.22" W x 1" H
Mounting:	3.41" L x 1.87" W
Operating Temperature:	-4° F to +104° F (-20° C to +40° C) (PTC circuit breakers hold current at 130°F)
Base Material:	Enclosure: steel
Finishes:	Powder coat: beige
Patents, Approvals, Listings:	<ul style="list-style-type: none"> • ANSI/UL 294 Listed • ANSI/UL 603 Listed • ULC-S318-96 Listed • RoHS lead free
Part Number:	PS-AQD3-4C

*Use gauge appropriate for output voltage and wiring distance.

ASSA ABLOY

The global leader in
door opening solutions

SECURITRON® AccuPower® AQD5 Series

The Securitron® AccuPower® AQD5 Series of switching power supplies are dual-voltage supervised units with a battery charger. These units are field selectable for 5 A at 12 VDC or 3 A at 24 VDC, with up to eight (8) independently controlled, power-limited outputs.

Product Features

- Dual-voltage 5 A/12 VDC or 3 A/24 VDC field selectable continuous output
- Internal transformer
- Tolerates brownout or overvoltage input from 60-260 VAC
- Thermal shutdown protection with auto restart
- Circuit breaker protects against overcurrent and reverse battery faults
- Battery charger and power supervision
- Low battery disconnect prevents deep discharge
- Dedicated voltage enables faster battery charging even under full load
- MagnaCare® lifetime replacement, no fault warranty



Specifications

Electrical

Input Voltage	90 VAC - 240 VAC; 50 Hz - 60 Hz
Operating Range:	
Maximum Output Voltage:	72 VA; 6 A @ 12 VDC; 3 A @ 24 VDC
Continuous Output Voltage:	60 VA; 5 A @ 12 VDC, 3 A @ 24 VDC
Voltage Range:	9.8 VDC - 13.8 VDC/13.65 typical 19.65 VDC - 28 VDC/27.3 typical
Operating Frequency:	132 Khz
Onboard Power Output:	One class 2 power limited
Fuse Protection:	AC fuse: GMA: 2 2 A Battery: PTC 6 A Current overload: PTC, self-resetting Thermal runaway: PTC, Self-resetting
Supervision/ Monitoring:	AC ON LED indicator: 6 mA DC ON LED indicator: 6 mA AC fail notification: SPDT form C 2 A Low battery: SPDT form C 3 A

Dimensions

Enclosure:	14" L x 9" W x 3 1/2" H
Power Board:	6.05" L x 3.87" W x 2.28" H
Mounting:	4.5" L x 3.41" W
Operating Temperature:	-4° F to +104° F (-20° C to +40° C) Humidity: 95% RH non-condensing
Base Material:	Enclosure: steel
Finishes:	Powder coat: beige
Patents, Approvals, Listings:	<ul style="list-style-type: none"> • ANSI/UL 294 Listed • ANSI/UL 603 Listed • ULCS318-96 Listed • CAN/ULC-S533-02 • RoHS lead free
Part Number:	PS-AQD5-4C

ASSA ABLOY

The global leader in
door opening solutions

SECURITRON® BPS Series 12/24-1 Dual Voltage Boxed Power Supply

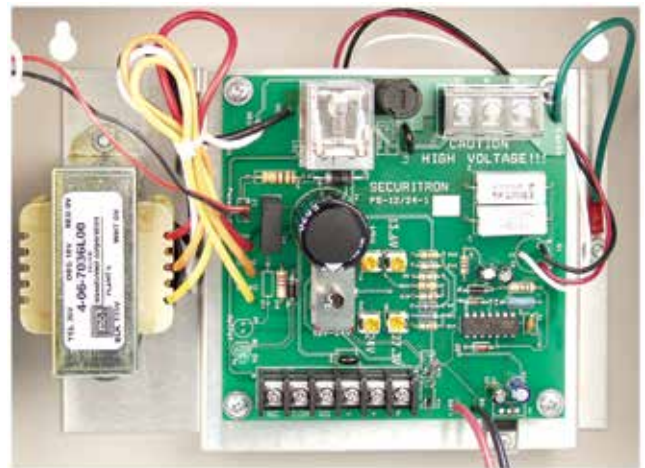
The BPS Series of power supplies delivers linear technology and is recommended for use with the most voltage sensitive electronic safety and security components, including card readers, electric strikes, motion sensors, DC voltage cameras, and as an interface for a fire alarm system or battery backup. The BPS-12/24-1 is UL Class 2 listed, allowing for wire runs without the use of conduit from power supply to door.

Product Features

- Dual-output, field-selectable 12/24 VDC via clearly marked toggle switch
- Supplies 1 full Amp continuous current output, even while charging back-up batteries
- Linear regulated power supply provides the cleanest power available
- UL Class 2 power-limited output
- SPDT AC monitoring output allows for remote monitoring of the power supply's 110 VAC input
- External LED indicator (AC and DC) easily determines power status
- UL Listed, low-current fire alarm disconnect requires only a minimum size fire alarm relay and wire gauge
- Polyswitch 2 A breaker allows for large short duration inrush current if batteries are installed (approximately 20 A for 1 second)
- Line voltage and DC fuses
- Sealed lead acid or gel battery charging capability (battery sold separately)

Specifications

- Electrical:**
- Voltage adjustment: 12 V/24 V selector switch
 - Input voltage: 120 VAC
 - Output current: 1 Amp
- Operating Temperature:** +32° F to +105° F (0° C to +40° C)
- Base Material:** Enclosure: steel
- Dimensions:** 9" L x 12" H x 4" D enclosure
- Finishes:** Powder coat: beige
- Patents, Approvals, Listings:**
- UL FWAX2.SA6635
 - cUL FWAX8.SA6635
 - UL/cUL ALVY.BP7041 / UEHX7.BP7041
 - CSFM 3774-0923:0102
 - CSFM 3774-0923:0103
- Part Number:** PS-BPS-12/24-1



ASSA ABLOY

The global leader in
door opening solutions



ASSA ABLOY

The global leader in
door opening solutions

Copyright © 2017 ASSA ABLOY Inc. All rights reserved. Reproduction in whole or in part without the express written permission of ASSA ABLOY Inc. is prohibited.

Aperio®

Aperio offers the same real-time communication as traditional access control without the inconvenience of wiring the door. Aperio technology is a global wireless platform that reduces the cost and inconvenience of traditional access control without the hassle of complex site surveys. It utilizes local wireless communication between the lock and a communications hub to connect to an online electronic access control system. This offers facilities an easy, affordable way to expand the reach of existing access control systems and secure additional openings.

ASSA ABLOY

The global leader in
door opening solutions

Copyright © 2017 ASSA ABLOY Inc. All rights reserved. Reproduction in whole or in part without the express written permission of ASSA ABLOY Inc. is prohibited.

SECURITRON® R100-1H Wireless Reader and Apero® Hub

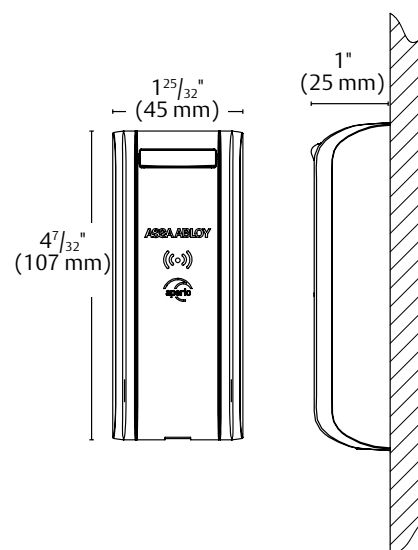
The R100-1H surface mounted wireless iCLASS reader and pre-paired Apero® hub offer an elegant way to extend access control to glass entryways. Installation is easy, requires no drilling or pulling of wires and can adhere in minutes. A complement to an electronic locking solution, glass entryways can now integrate robust access control while maintaining a clean, wireless appearance.

Product Features

- Adheres to glass surface without any connecting wires
- Shortened wire pull from panel to hub provides cost benefit in installation
- Fully-encrypted AES 128 wireless communication
- Online transaction audit trail capability
- Low-battery signaling and reporting
- Green status LED indicator
- Protected by SecuriCare® three-year, no-fault warranty

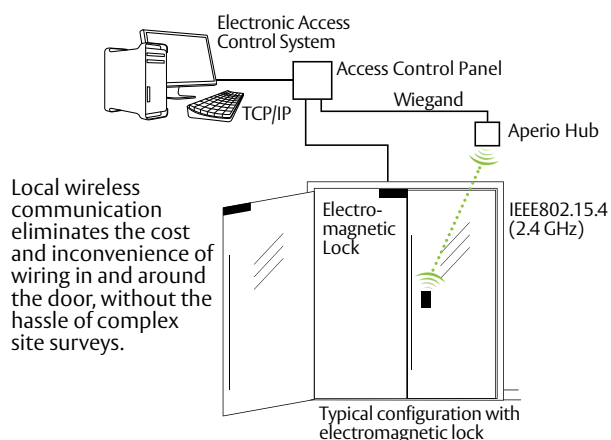
Specifications

Battery:	1 x 3 V CR2 Lithium battery
Operating Temperature:	-40° F to +122° F (-40° C to + 50° C); indoor or outdoor use
Monitoring:	Tamper; low battery
Base Material:	Reader and hub: plastic enclosure
Dimensions:	4.25" L x 1.8" W x 1.0" H
Finishes:	<ul style="list-style-type: none"> • Reader: black • Hub: white
Patents, Approvals, Listings:	FCC Part 15 and IC Compliant
Accessories	R100 Dress Cover (RD-R100-DCA) <ul style="list-style-type: none"> • Aluminum cover • Attaches to inside of glass, hiding mounting glue • Keeps glass aesthetically pleasing • Mounts with self-adhesive backing • Dimensions: 5" L x 2" W • Finish: US28/628



Model Options

- Low frequency model supports PROX and EM PROX (RD-R100-1H-PA)
- High frequency model supports iCLASS®, iCLASS SEOS™, iCLASS SE, ISO14443B UID, Mifare, Mifare Plus, Desfire SE, Desfire EV1, NFC (RD-R100-1H-SE)



ASSA ABLOY

The global leader in door opening solutions



ASSA ABLOY is the global leader in door opening solutions, dedicated to satisfying end-user needs for security, safety and convenience

ASSA ABLOY

ASSA ABLOY Glass Solutions
300 Main Street
Rockwood, PA 15557
www.assaabloyglass.us

Copyright © 2017 ASSA ABLOY Inc. All rights reserved. Reproduction in whole or in part without the express written permission of ASSA ABLOY Inc. is prohibited.

05/17 2500-3247