

# Glydea™ Databook

# Glydea™ Motor Range

This document presents the technical information and related accessories for Somfy's Glydea™ motor range designed specifically for draperies. It provides detailed information to facilitate the specification of this motor solution as well as presents information regarding options for specialty applications including bent and curved tracks. Information for Somfy's entire product range including motors, power sources, controls interfaces etc. can be accessed at [www.somfy-pro.com](http://www.somfy-pro.com).

## **Innovative**

The Glydea™ motor range is a product of years of industry expertise and expertise. This reliable motor solution offers a superior user experience as well as a wide array of features and exemplifies Somfy's continued commitment to quality.

## **Competitive**

Designed for residential, commercial and hospitality markets, the Glydea™ range provides a convenient solution for glare reduction and privacy while also reducing energy costs and protecting interiors from damaging UV rays.

## **Adaptable**

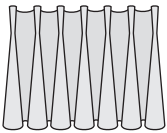
Glydea™ is available for all drapery types including pinch pleat, RippleFold® and Accordia®. Additionally, it has been designed to easily adapt to various control technologies including infrared, dry contact, Radio Technology® (RTS), RS485, Z-Wave® and ZigBee®.

Z-Wave® is a registered trademark of Zensys, Inc. ZigBee® is a registered trademark of ZigBee® Alliance. RippleFold® and Accordia® are registered trademarks of Kirsch.

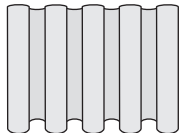


Somfy's Glydea™ motors are compatible with the three types of draperies below.

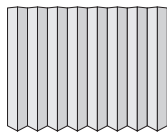
**Pinch Pleat**



**RippleFold®**



**Accordia®**



Plug-in modules offer simple compatibility with various technologies



As with all Somfy products, motors are backed by a 5 year warranty.



# Glydea™, the difference is in the detail

The sophistication of Glydea™ is reflected in the simple form and sleek lines of the motor and the track.



## Available Adaptable Control Modules



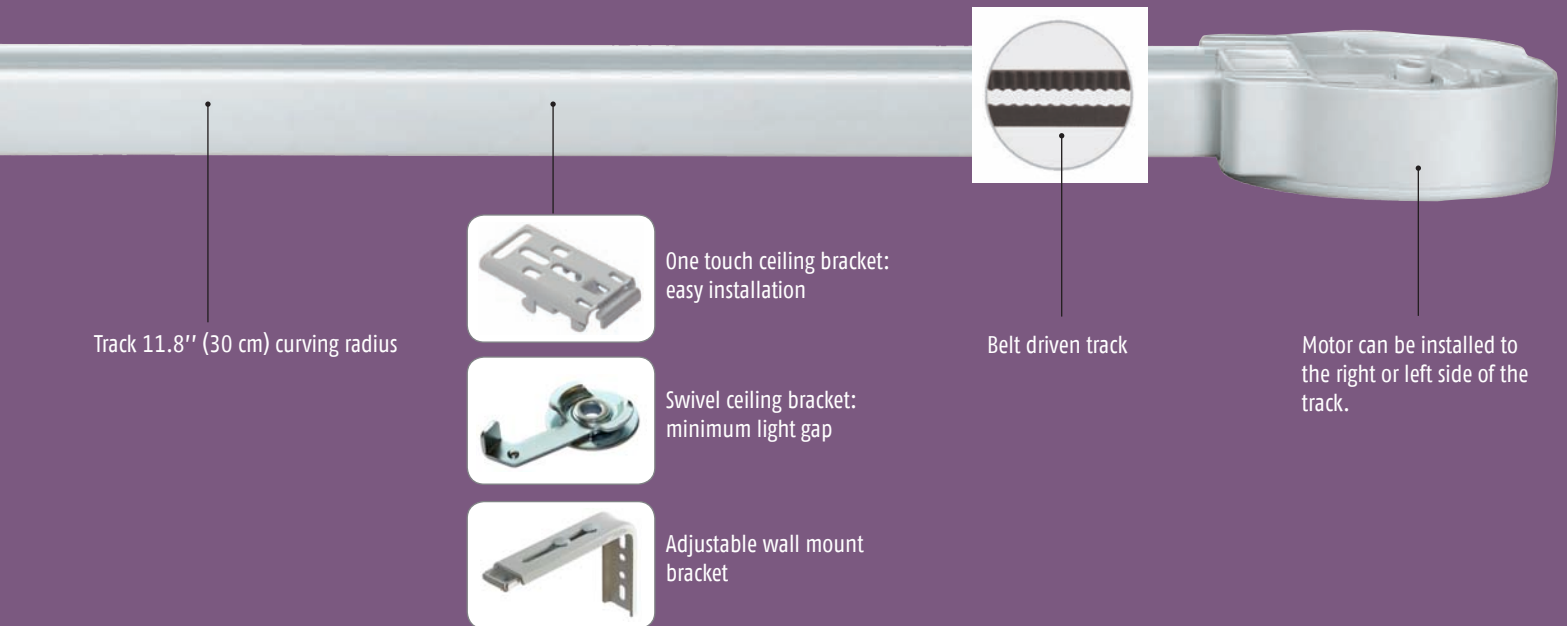
RTS Control Module

RS485 Control Module

ZigBee® Control Module

Z-Wave® Control Module





Track 11.8" (30 cm) curving radius



One touch ceiling bracket:  
easy installation



Swivel ceiling bracket:  
minimum light gap



Adjustable wall mount  
bracket

Belt driven track

Motor can be installed to  
the right or left side of the  
track.

### Aesthetic

- Patented control module cover design conceals unsightly cables and protects the connectors and control modules inside the motor.
- Automatic or adjustable limit setting.
- Rail design and swivel ceiling bracket minimize the light gap.
- Soft start and soft stop.
- Back release function and rail design promote optimal stacking of drapery fabric (available with Glydea™ 35).

### Easy Installation

- Spring loaded one-touch hardware (wall and ceiling mount).
- Motor can also be installed to the right or to the left side of the track.
- Inverse (top mount) options allows the motor to be installed above the track.

### Flexibility

- Patented flexible master carrier reduces friction and is adaptable to various drapery types.
- Various control modules allow Glydea™ to easily adapt to third party control protocols.
- Curves and bends available.
- Exclusive cable cover allows you to reverse cable direction for easier access to power.

### Efficient

- **Touch Motion** feature allows the user to activate the motorized drapery simply by pulling on the fabric. Two sensitivity settings available (Glydea 60e™ only).
- **Manual Override** disengages the motor when drapery is adjusted manually. This is ideal for power outages and also protects the fabric from damage.
- **My Function** allows user to set a preferred drapery openness position for easy access.
- **Adjustable speed:** 4.9"/s to 7.86"/s.

### Quiet

- Motor design and the use of a timing belt provides quiet operation (<44dBA).

### Glydea™, Somfy quality

5 years international warranty.  
International certifications.



# Technical specifications Glydea™ 35

## Motor part numbers

### GLYDEA™ 35 MOTOR

Glydea™ 35 DCT motor (with 10' cable and molded plug)	Part# 1001536
Glydea™ 35 RTS motor (with 10' cable and molded plug)	Part# 1001615
Glydea™ 35 RS485 motor (with 10' cable and molded plug)	Part# 1002109

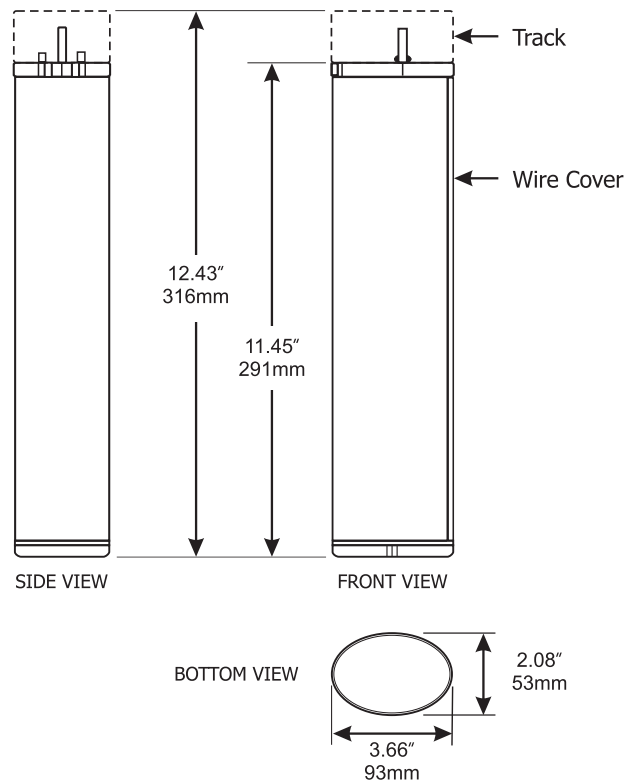
## Features overview

	Glydea™ 35
<b>Motor unit main features</b>	
Soft start	✓
Manual operation	✓
Automatic limits on end stop	✓
Back Release	✓
Soft stop	
Intermediate position	
Touch motion with 2 sensitivity settings	
Adjustable limits	
Speed control & adjustment	
<b>Control options</b>	
3 normally open dry contacts	✓
2 normally open dry contacts	✓
2 normally open dry contact sequencing mode	✓
Dry contact individual and group & master control	✓
Radio Technology Somfy® RTS	✓
Infrared	✓
RS485 digital technology	✓
Z-Wave®	✓
ZigBee®	✓
Tandem	Contact Somfy
Sun control	✓
Timer control	✓
<b>Installation and setting features</b>	
Setting with buttons on motor unit	✓
Setting with external 3 normally open dry contact switch	✓
LED indicators	✓
Motor unit direction change	✓
Factory reset	✓
Inverse (top mount) mounting	✓
<b>Tracks / Draperies types</b>	
Side opening	✓
Center opening	✓
Asymmetric	✓
Multiple	✓
Pinch pleat	✓
RippleFold® with overlap arm	✓
RippleFold® with butt arm	✓
Accordia®	✓

## Motorized track main characteristics

	Glydea™ 35
Power supply	110V AC 50/60 HZ
Amperage	0.5 A
Average linear speed	7.86"/s
Power consumption	60 W
Power cable type	3-wire cable
Control connector type	RJ12
DCT control circuit voltage	3.3 VDC
Motorized track noise level	< 50 dB(A)
Certifications	c TUV us, CE
Track maximum length	30 ft (9 m)
Maximum number of splices	2
Minimum bending radius	11.8 in. (30 cm)
Minimum curving radius	118 in. (300 cm)
Side opening max weight	77 lbs. 35 kg.
Center opening max weight	77 lbs. 35 kg.
Tandem max weight	Contact Somfy

## Motor dimensions



4 wire motors available, please contact Somfy.

# Technical specifications Glydea™ 60e

## Motor part numbers

### GLYDEA™ 60e MOTOR

Glydea™ 60e DCT motor (with 10' cable and molded plug)	Part# 1001538
Glydea™ 60e RTS motor (with 10' cable and molded plug)	Part# 1001617
Glydea™ 60e RS485 motor (with 10' cable and molded plug)	Part# 1002108

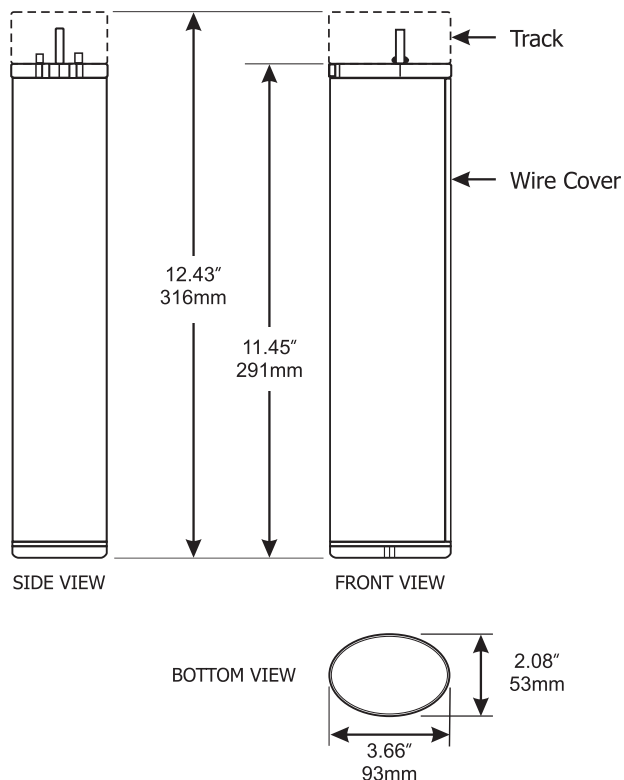
## Features overview

	Glydea™ 60e
<b>Motor unit main features</b>	
Soft start	✓
Manual operation	✓
Automatic limits on end stop	✓
Back Release	
Soft stop	✓
Intermediate position	✓
Touch motion with 2 sensitivity settings	✓
Adjustable limits	✓
Speed control & adjustment	✓
<b>Control options</b>	
3 normally open dry contacts	✓
2 normally open dry contacts	✓
2 normally open dry contact sequencing mode	✓
Dry contact individual and group & master control	✓
Radio Technology Somfy® RTS	✓
Infrared	✓
RS485 digital technology	✓
Z-Wave®	✓
ZigBee®	✓
Tandem	Contact Somfy
Sun control	✓
Timer control	✓
<b>Installation and setting features</b>	
Setting with buttons on motor unit	✓
Setting with external 3 normally open dry contact switch	✓
LED indicators	✓
Motor unit direction change	✓
Factory reset	✓
Inverse (top mount) mounting	✓
<b>Tracks / Draperies types</b>	
Side opening	✓
Center opening	✓
Asymmetric	✓
Multiple	✓
Pinch pleat	✓
RippleFold® with overlap arm	✓
RippleFold® with butt arm	✓
Accordia®	✓

## Motorized track main characteristics

	Glydea™ 60e
Power supply	110V AC 50/60 HZ
Amperage	1A
Average linear speed	4.9"/s to 7.86"/s
Power consumption	120 W
Power cable type	3-wire cable
Control connector type	RJ12
DCT control circuit voltage	3.3 VDC
Motorized track noise level	<44 dB(A)
Certifications	c TUV us, CE
Track maximum length	36 ft (10.9 m)
Maximum number of splices	2
Minimum bending radius	11.8 in. (30 cm)
Minimum curving radius	118 in. (300 cm)
Side opening max weight	132 lbs. 59 kg.
Center opening max weight	132 lbs. 59 kg.
Tandem max weight	Contact Somfy

## Motor dimensions






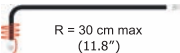
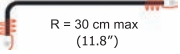
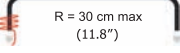
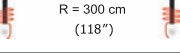
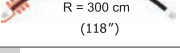
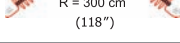
4 wire motors available, please contact Somfy.

# Product Specifications

## COMPARISON CHART

	Motor Type	
	Glydea™ 35	Glydea™ 60e
<b>Motor unit main features</b>		
Soft start	✓	✓
Manual operation	✓	✓
Automatic limits on end stop	✓	✓
Back Release	✓	
Soft stop		✓
Intermediate position		✓
Touch motion with 2 sensitivity settings		✓
Adjustable limits		✓
Speed control & adjustment		✓
<b>Control options</b>		
3 normally open dry contacts	✓	✓
2 normally open dry contacts	✓	✓
2 normally open dry contact sequencing mode	✓	✓
Dry contact individual and group & master control	✓	✓
Radio Technology Somfy® RTS	✓	✓
Infrared	✓	✓
RS485 digital technology	✓	✓
Z-Wave®	✓	✓
ZigBee®	✓	✓
Tandem	Contact Somfy	
Sun control	✓	✓
Timer control	✓	✓
<b>Installation and setting features</b>		
Setting with buttons on motor unit	✓	✓
Setting with external 3 normally open dry contact switch	✓	✓
LED indicators	✓	✓
Motor unit direction change	✓	✓
Factory reset	✓	✓
Inverse (top mount) mounting	✓	✓
<b>Tracks / Draperies types</b>		
Side opening	✓	✓
Center opening	✓	✓
Asymmetric	✓	✓
Multiple	✓	✓
Pinch pleat	✓	✓
RippleFold® with overlap arm	✓	✓
RippleFold® with butt arm	✓	✓
Accordia®	✓	✓

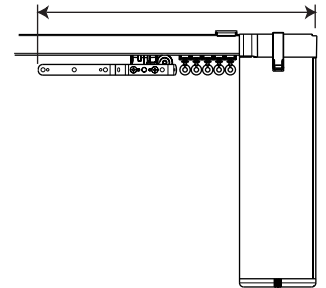
## SELECTION CHART

Track Type	Motor Type					
	Glydea™ 35			Glydea™ 60e		
	Up to 10 Ft.	Up to 20 Ft.	Up to 32 Ft.	Up to 10 Ft.	Up to 32 Ft.	Up to 36 Ft.
<b>A</b> One Way 	77 Lbs.	77 Lbs.	77 Lbs.	132 Lbs.	132 Lbs.	132 Lbs.
<b>B</b> Center Opening 	77 Lbs.	77 Lbs.	77 Lbs.	132 Lbs.	132 Lbs.	132 Lbs.
<b>C</b> Asymmetrical 	77 Lbs.	77 Lbs.	77 Lbs.	132 Lbs.	132 Lbs.	132 Lbs.
<b>D</b> One Way w/Bend  R = 30 cm max (11.8")	77 Lbs.	55 Lbs.	44 Lbs.	100 Lbs.	100 Lbs.	77 Lbs.
<b>E</b> Center Opening w/Bend  R = 30 cm max (11.8")	77 Lbs.	55 Lbs.	44 Lbs.	100 Lbs.	100 Lbs.	77 Lbs.
<b>F</b> One Way w/2 Bends  R = 30 cm max (11.8")	33 Lbs.	22 Lbs.	-	77 Lbs.	55 Lbs.	-
<b>G</b> Center Opening w/2 Bends  R = 300 cm (118")	33 Lbs.	22 Lbs.	-	77 Lbs.	55 Lbs.	-
<b>H</b> One Way w/Continuous Curve  R = 300 cm (118")	77 Lbs.	33 Lbs.	-	77 Lbs.	55 Lbs.	-
<b>I</b> Center Opening w/Continuous Curve  R = 300 cm (118")	66 Lbs.	22 Lbs.	-	66 Lbs.	44 Lbs.	-



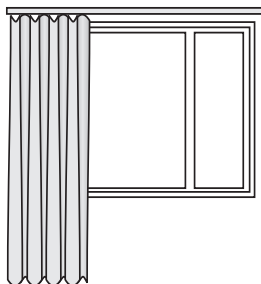
**\*STACKING CHART - FOR REFERENCE ONLY**

TRACK SIZES	PINCH PLEAT (in.)		RIPPLEFOLD® (in.)					
	ONE WAY P.P.	CENTER OPENING P.P.	ONE WAY 80%	ONE WAY 100%	ONE WAY 120%	CENTER OPENING 80%	CENTER OPENING 100%	CENTER OPENING 120%
Up to 4 ft.	16.9	23.6	21.3	23.5	25.7	28.0	30.2	32.4
5 ft.	18.5	25.2	24.0	26.8	29.5	31.3	34.6	36.8
6 ft.	20.2	26.9	26.8	30.1	33.4	34.6	39.0	41.2
7 ft.	21.8	28.5	29.5	33.4	37.2	37.9	43.4	45.6
8 ft.	23.5	30.2	32.3	36.7	41.1	41.2	47.8	50.0
9 ft.	25.1	31.8	35.0	40.0	44.9	44.5	52.2	54.4
10 ft.	26.8	33.5	37.8	43.3	48.8	47.8	56.6	58.8
11 ft.	28.4	35.1	40.5	46.6	52.6	51.1	61.0	63.2
12 ft.	30.1	36.8	43.3	49.9	56.5	54.4	65.4	67.6
13 ft.	31.0	38.4	46.0	53.2	60.3	57.7	69.8	72.0
14 ft.	33.4	40.1	48.8	56.5	64.2	61.0	74.2	76.4
15 ft.	35.0	41.7	51.5	59.8	68.0	64.3	78.6	80.8
16 ft.	36.7	43.4	54.3	63.1	71.9	67.6	83.0	85.2
17 ft.	38.3	45.0	57.0	66.4	75.7	70.9	87.4	89.6
18 ft.	40.0	46.7	59.8	69.7	79.6	74.2	91.8	94.0
19 ft.	41.6	48.3	62.5	73.0	83.4	77.5	96.2	98.4
20 ft.	43.3	50.0	65.3	76.3	87.3	80.8	100.6	102.8
21 ft.	44.9	51.6	68.0	79.6	91.1	84.1	105.0	107.2
22 ft.	46.6	53.3	70.8	82.9	95.0	87.4	109.4	111.6
23 ft.	48.2	54.9	73.5	86.2	98.8	90.7	113.8	116.0
24 ft.	49.9	56.6	76.3	89.5	102.7	94.0	118.2	120.4
25 ft.	51.5	58.2	79.0	92.8	106.5	97.3	122.6	124.8
26 ft.	53.2	59.9	81.8	96.1	110.4	100.6	127.0	129.2
27 ft.	54.8	61.5	84.5	99.4	114.2	103.9	131.4	133.6
28 ft.	56.5	63.2	87.3	102.7	118.1	107.2	135.8	138.0
29 ft.	58.1	64.8	90.0	106.0	121.9	110.5	140.2	142.4
30 ft.	59.8	66.5	92.8	109.3	125.8	113.8	144.6	146.8
31 ft.	61.4	68.1	95.5	112.6	129.6	117.1	149.0	151.2
32 ft.	63.1	69.8	98.3	115.9	133.5	120.4	153.4	155.6
33 ft.	64.7	71.4	101.0	119.2	137.3	123.7	157.8	160.0
34 ft.	66.4	73.1	103.8	122.5	141.2	127.0	162.2	164.4
35 ft.	68.0	74.7	106.5	125.8	145.0	130.3	166.6	168.8
36 ft.	69.7	76.4	109.3	129.1	148.9	133.6	171.0	173.2

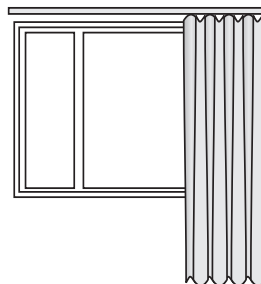


\* Measurements do not consider drapery fabric and are calculated from end of pulley to front of master arm (shown above).

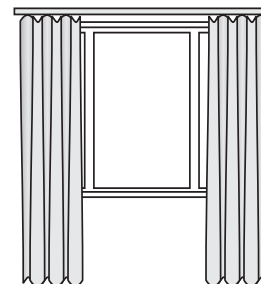
**TRACK CONFIGURATIONS**



**STACKED LEFT**  
(MOTOR ON LEFT)



**STACKED RIGHT**  
(MOTOR ON RIGHT)

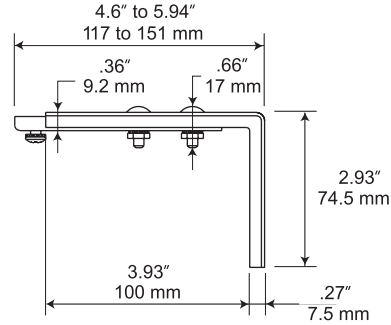
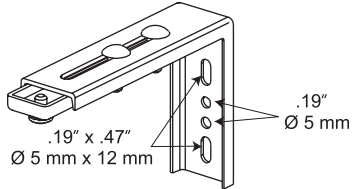


**CENTER OPENING**  
(MOTOR ON LEFT OR RIGHT)

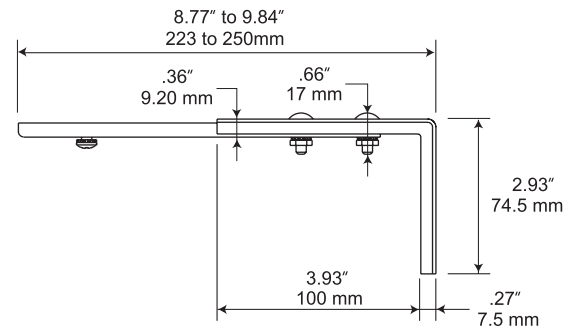
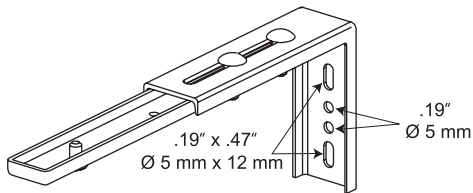
# Product Specifications

## WALL BRACKET DIMENSIONS

### Adjustable Wall Mount Bracket

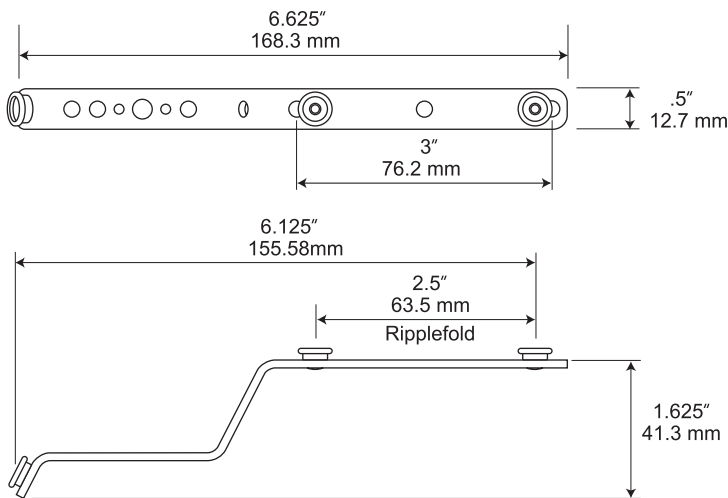


### Double Adjustable Wall Mount Bracket

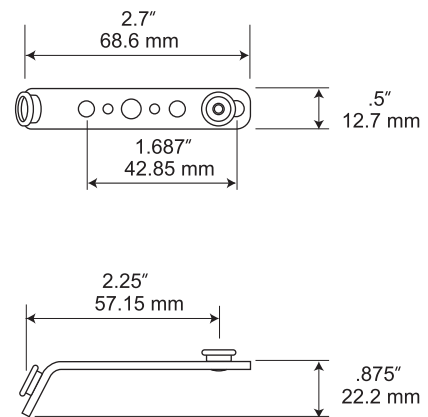


## CARRIER ARM DIMENSIONS

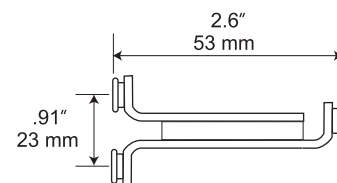
### Overlap Universal Arm



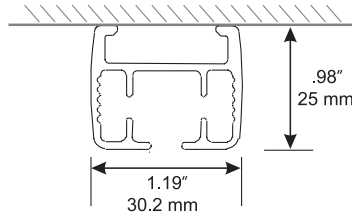
### Straight Universal Arm



### Butt Master Arm

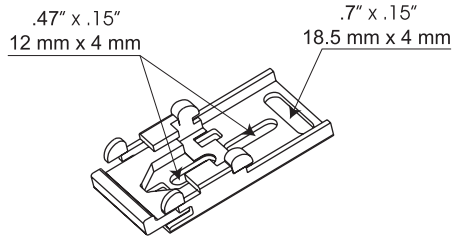
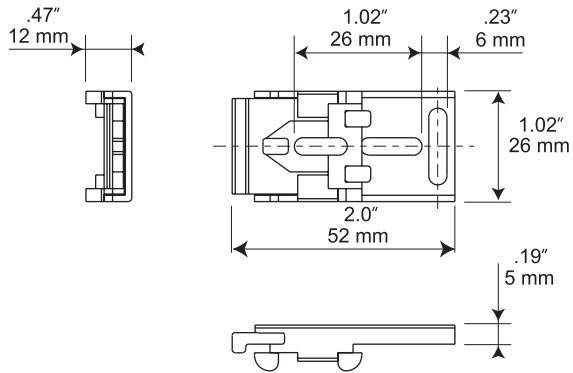


## TRACK PROFILE

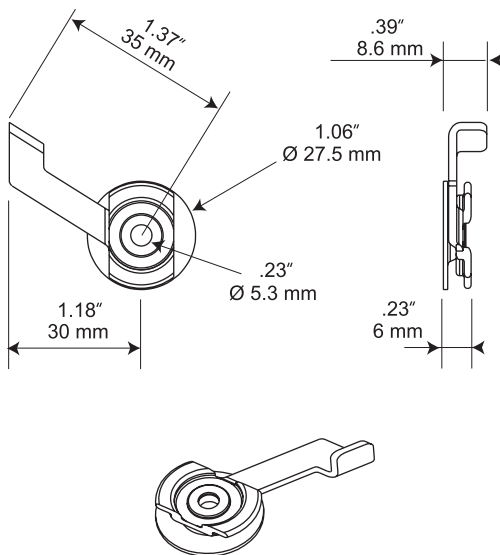


## CEILING BRACKET DIMENSIONS

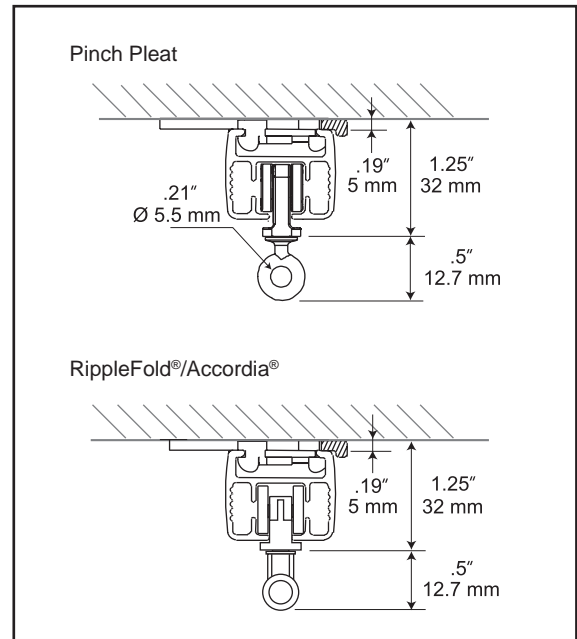
### One Touch Ceiling Bracket



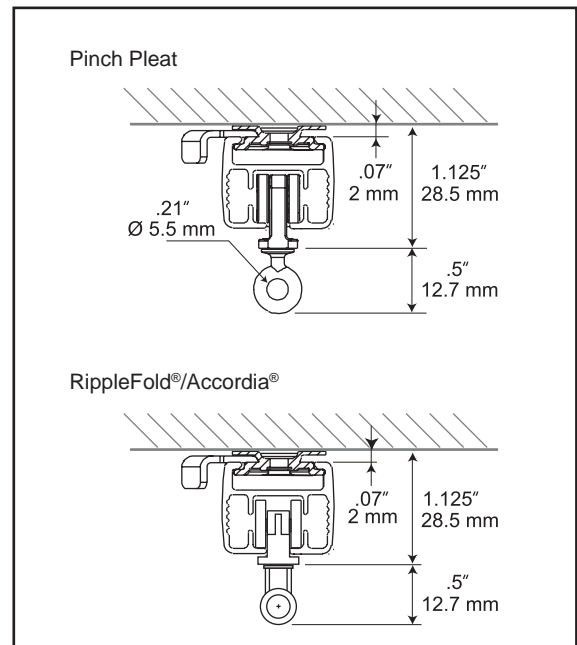
### Swivel Ceiling Bracket



### Carriers



### Carriers



# Glydea™ Controls and Accessories

## RADIO TECHNOLOGY SOMFY® (RTS)

### TE LIS HAND-HELD REMOTE COLLECTION



Telis 1 RTS Pure  
Single Channel Remote  
1810632



Telis 4 RTS Pure  
Five Channel Remote  
1810633



Telis 1 Soliris  
RTS Pure  
1810635



Telis 1 RTS Silver  
Single Channel Remote  
1810639



Telis 4 RTS Silver  
Five Channel Remote  
1810641



Telis 1 RTS Lounge  
Single Channel Remote  
1810650



Telis 4 RTS Lounge  
Five Channel Remote  
1810652



Telis 1 RTS Patio  
Single Channel Remote  
1810643



Telis 4 RTS Patio  
Five Channel Remote  
1810645



Telis 16 Channel RTS Pure  
Remotes w/ On-screen display  
1811020



Telis 16 Channel RTS Silver  
Remotes w/ On-screen display  
1811021

### 16 CHANNEL INTERFACE



Universal RTS Interface 16-Channel  
(Converts IR, RS232, RS485 to RTS)  
1810872

### RTS REPEATER



RTS Repeater  
1810791

### INDOOR SENSORS



Sunis Indoor  
WireFree™ RTS  
9013707



Thermo Sunis Indoor  
WireFree™ RTS  
9013708

### DRY CONTACT SWITCH



White  
1800219



Ivory  
1800220

### DECORATOR PADDLE SWITCH



Maintained White  
1800374



Maintained Ivory  
1800373



## RADIO TECHNOLOGY SOMFY® (RTS)

### DECOFLEX WIREFREE™ WALL SWITCHES



DecoFlex 1 Channel RTS Wireless Wall Switch    DecoFlex 2 Channel RTS Wireless Wall Switch    DecoFlex 3 Channel RTS Wireless Wall Switch    DecoFlex 4 Channel RTS Wireless Wall Switch    DecoFlex 5 Channel RTS Wireless Wall Switch

Wall Switches shown in white. Also available in black, ivory, and almond finishes. Shown above assembled with printed channel buttons.



### DECOFLEX TABLE TOP ACCESSORIES



DecoFlex Tabletop RTS Accessory Black 1811051\*\*    DecoFlex Tabletop RTS Accessory Silver 1810972\*\*    DecoFlex Tabletop RTS Accessory White 1811185\*\*

\*\*DecoFlex Switch sold separately from Table Top Accessory.

## INFRARED TECHNOLOGY (IR)

### IRT INFRARED TRANSMITTER



Single Channel  
1810561

### IRT 803 INFRARED TRANSMITTER



8 Channels  
1870010

### IR SENSOR



9154205

### RJ9 TO RJ11 ADAPTER



Required for IR Sensor  
9014068

## TaHomA® SOMFY'S TOTAL HOME AUTOMATION SOLUTION

The Glydea™ range works seamlessly with TaHomA™ – Somfy's total home automation solution. Using Z-Wave®, an interoperable, 2-way RF mesh networking technology, TaHomA enables users to control, schedule, and monitor their Somfy motorized products, lights, and thermostats.

Use the Z-Wave to RTS Interface (ZRTSI) or Z-Wave to Digital Motor Interface (ZDMI) to translate TaHomA's Z-Wave commands for Sonesse® RTS and digital motors.



TaHomA®









ZRTSI






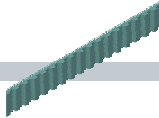

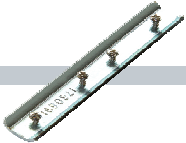
ZDMI

# Glydea Parts List





## MOTORS AND CONTROL MODULES

Glydea™ 35	Glydea™ 60e	Control Modules			
					
Qty. per box 8 RTS with 10' Plug 1001615 DCT with 10' Plug 1001536 RS485 with 10' Plug 1002109	Qty. per box 8 RTS with 10' Plug 1001617 DCT with 10' Plug 1001538 RS485 with 10' Plug 1002108	RTS 1870172	RS485® 1811129	Z-Wave® 1870228	ZigBee® 1870221

## COMMON TRACK COMPONENTS

Drive Pulley	Heavy Duty Master Carrier	Pulley Cover	10mm Belt	Track	Straight Rail Joint
					
Qty. per box: 10 1780945	Qty. per box: 10 1781344	Qty. per box: 10 1780898	328' roll 1780900 (per ft.)	96' per carton (6 pcs. x 16') 1780899 (per ft.)	Qty. per box: 10 1780891

## PINCH PLEAT TRACK COMPONENTS

Straight Universal Arm	Overlap Universal Arm	Pinch Pleat Return Hook	Carrier
			
Qty. per box: 10 1780946  For use with center opening Pinch Pleat draperies.	Qty. per box: 10 1780947  For use with both one way opening and center opening Pinch Pleat draperies.	Qty. per box: 20 1780895	Qty. per box: 500 1780892

## RIPPLEFOLD® TRACK COMPONENTS

### Universal Straight Arm



Qty. per box: 10  
1780946

For use with center opening  
RippleFold® and Accordia® draperies.

### Universal Overlap Arm



Qty. per box: 10  
1780947

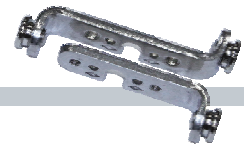
For use with both one way opening and  
center opening RippleFold® and  
Accordia® draperies.

### Ripple Return Snap



Qty. per box: 20  
1780905

### RippleFold® ButtMaster Arms

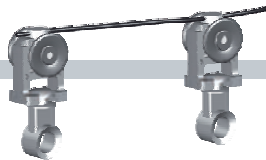


Qty. per box: 10  
1780953

For use with center opening  
RippleFold® and Accordia® draperies only.

### RippleFold® and Accordia® type Carriers

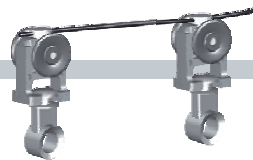
#### 80% Fullness



Carrier Spacing:  
2 3/8"

Qty. per roll: 500  
1780903

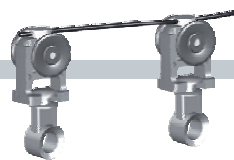
#### 100% Fullness



Carrier Spacing:  
2 1/8"

Qty. per roll: 500  
1780902

#### 120% Fullness



Carrier Spacing:  
1 7/8"

Qty. per roll: 500  
1780901

### Ripple Snap Tape



100 yd. roll:  
1782301

Per yd.  
1782542

Recommended for use with Somfy Ripple Snap Tape (ordered separately), but also adaptable to Kirsch and Graber snap tape.

## BRACKETS

### One Touch Ceiling Bracket



Qty. per box: 100  
1780907

### Adjustable Wall Mount Bracket



Projection 4.5" - 6"

Qty. per box: 50  
1780909

### Double Adjustable Wall Mount Bracket



Projection 8.75" - 10.25"

Qty. per box: 50  
1780910

### Swivel Ceiling Bracket



Qty. per box: 100  
1780906

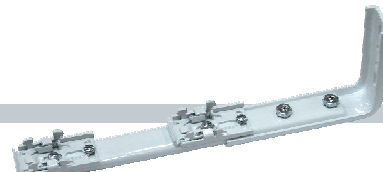
### Adjustable Wall/Ceiling Mount Bracket Kit



Projection 4.5" - 6"

Qty. per box: 50  
1782054

### Double Adjustable Wall/Ceiling Mount Bracket Kit



Projection 8.75" - 10.25"

Qty. per box: 50  
1782053

# Glydea Parts List

## AVAILABLE CARRIER ARM(S)

Carrier arms are included with your pre-fabricated motorized drapery track per the draw type.

### ONE WAY OPENING (DRAW) STANDARD

**Overlap Universal Arm:** For use with one way opening Pinch Pleat, one way RippleFold® and Accordia® draperies.  
QTY 1 per drapery track (included).



Overlap Universal Arm

### CENTER OPENING (DRAW) STANDARD

**Straight Universal Arm and Overlap Universal Arm:** For use with center opening Pinch Pleat, RippleFold® and Accordia® draperies.  
QTY 1 Overlap Universal Arm and QTY 1 Straight Universal Arm per drapery track (included).



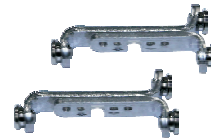
Overlap Universal Arm &



Straight Universal Arm

### CENTER OPENING (DRAW) BUTT MASTER (optional)

**Butt Master Arm:** For use with RippleFold® and Accordia® center opening draperies only.  
QTY 2 per drapery track required - must be ordered separately.



or (optional)

Butt Master Arms #1780953

## AVAILABLE CARRIERS

Carriers are included with your pre-fabricated motorized drapery track.

### PINCH PLEAT DRAPERIES

**Pinch Pleat Carriers:** Somfy includes a quantity of 3 carriers per foot. Additional carriers can be ordered if necessary.

#### **Pinch Pleat Return Hook:**

QTY 2 for One Way Draw (included)  
QTY 4 for Center Opening (included)



Carrier



Return Hook

### RIPPLEFOLD® / ACCORDIA® DRAPERIES

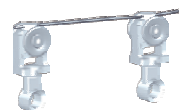
**\*Somfy RippleFold®/Accordia® Type Carriers:** The quantity of carriers needed depends on the desired fullness, reference the chart below to determine the needed quantity and standard spacing. Each carrier comes complete with pendant.

Recommended for use with Somfy Ripple Snap Tape (ordered separately), but also adaptable to Kirsch and Graber snap tape.

Fullness	*Carrier Spacing
80%	2 3/8" / 5 per ft. (included)
100%	2 1/8" / 6 per ft. (included)
120%	1 7/8" / 7 per ft. (included)



Ripple Snap Tape (100 yd. roll) #1782301  
Ripple Snap Tape (per yd.) #1782542



Carrier and Pendant



Return Snap

**\*NOTE: Quantity per ft. is Somfy's recommendation. Specific quantities can be specified when the order is placed.**

#### **Return Snap**

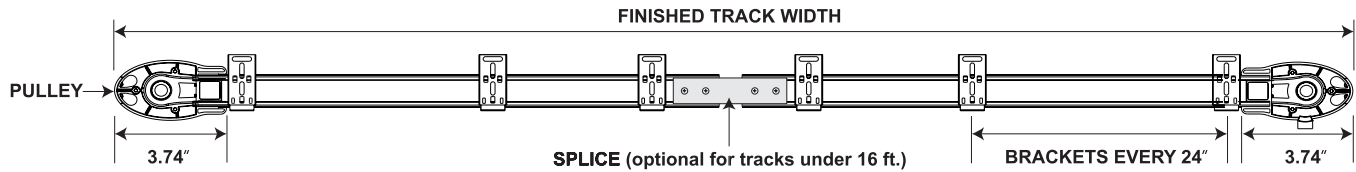
QTY 2 for One Way draw (included)  
QTY 4 for Center Opening (included)



# Custom Track Options

## BRACKET MOUNTING RECOMMENDATIONS (top view of track)

Somfy recommends 1 bracket by each pulley and 1 bracket every 24". Additionally 1 bracket should be placed on each side of a splice if used.



## Tandem

Tandem motorized systems utilize two Glydea motors and are used for draperies that exceed the maximum single motor capacity. Please contact Somfy for specification details. Tandem systems are only available with dry contact or infrared control technologies and require additional accessories.

### Dry Contact

Splitter	# 9015442
7 ft. Modular Cable	# 9013346
25 ft. Modular Cable	# 9013149
35 ft. Modular Cable	# 9013338

### Infrared

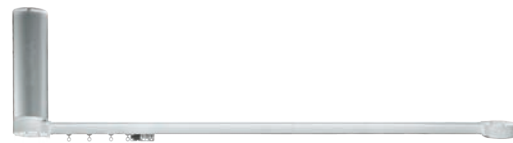
Splitter	# 9015442
IR Receiver	# 9154205
RJ9 to RJ11 Insert	# 9014068
7 ft. Modular Cable	# 9013346
25 ft. Modular Cable	# 9013149
35 ft. Modular Cable	# 9013338



## Top Mount

Glydea motors can be installed above the drapery track depending on your project needs. This option provides the ability to conceal the motor in a drop ceiling or under a valance and requires an additional kit.

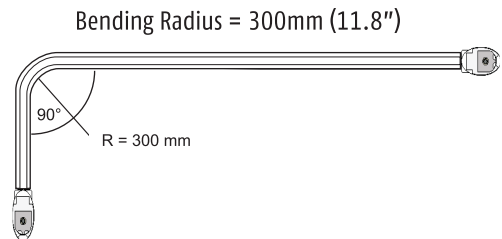
Top Mount Kit # 1780908



## Bends

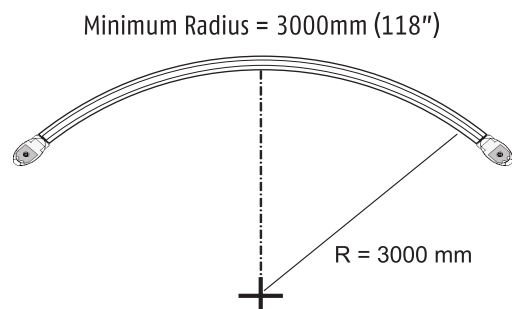
Tracks with bends are ideal for bay and corner windows. Track bends are available at a fixed radius of 11.8". For more information on how to measure for a bend, please see page .

**Bent Drapery Track Measurement Form required for all orders.**



## Curves

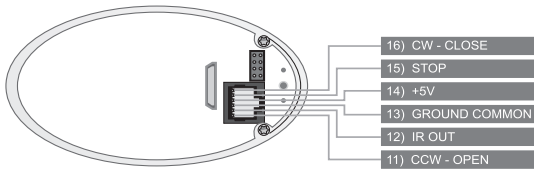
Custom curves are ideal for bow windows and other custom applications. **Templates are required for accuracy.** For additional information on how to measure for a curve, and how to make a template, please see [Directions for Creating a Template for Drapery Curves](#) page .



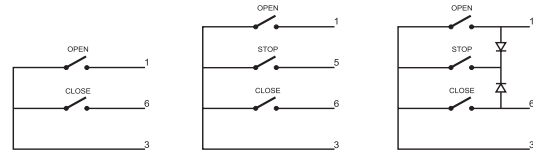
# Glydea Wiring Schematics

The Dry Contact Control can be done through devices with 2 normally open contacts (open, close) or 3 normally open contacts (open, stop, close). For devices using 2 contacts the stop command is achieved by closing the open and close contacts. For 3 devices the stop can also be achieved with a specific stop button. Individual, group and master DCT controls can be achieved using a DCT Splitter and a Diode boxes as shown below.

## RJ 12 SOCKET PIN OUT



## DRY CONTACT SWITCHES AND RELAY TYPES

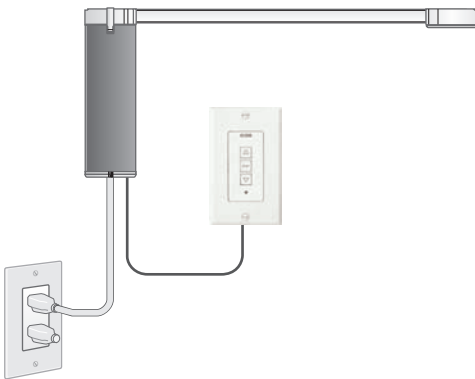


## NUMBER OF GLYDEA™ DCT AND LENGTH OF CONTROL LIMITATIONS

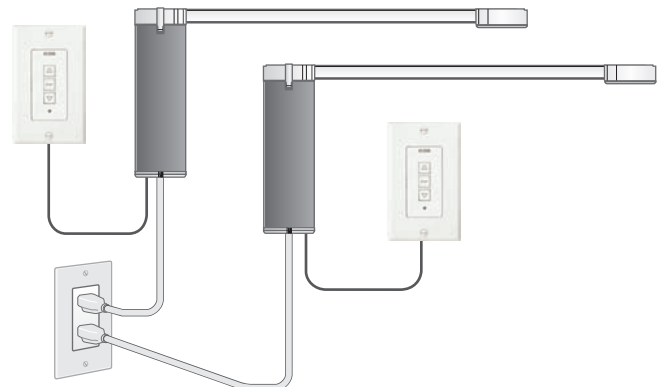
WIRE CROSS-SECTION	MAXIMUM LENGTH OF CABLE	MAXIMUM NUMBER OF MOTORS
Cat5 or Equal	100 m (328')	10
0.75 mm <sup>2</sup>	200 m (656')	20

## GLYDEA™ DCT CONTROL

### Individual control

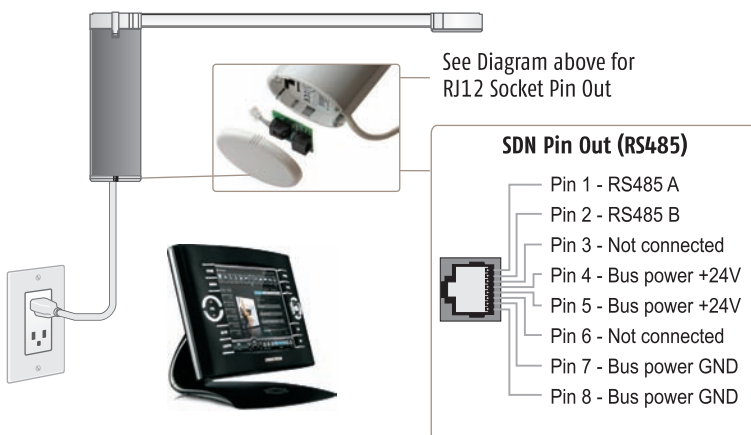


### Group and individual control

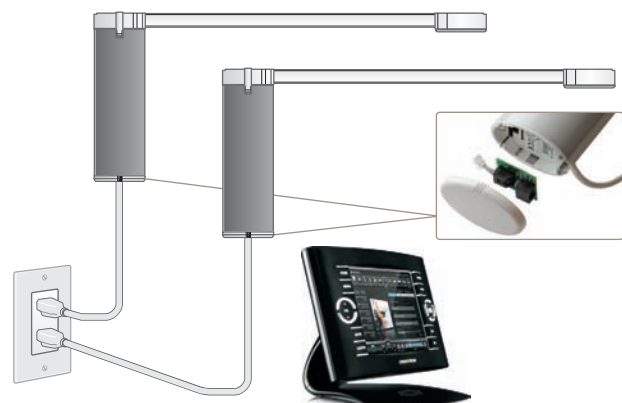


## GLYDEA™ RS485 CONTROL

### Individual control

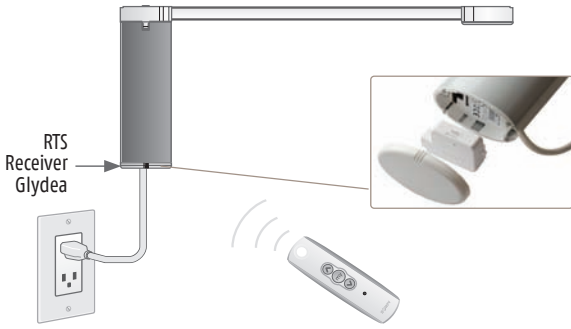


### Group and individual control

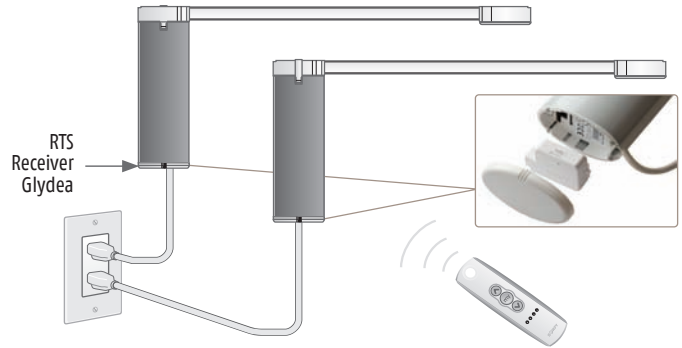


## GLYDEA™ RTS RADIO CONTROL

**Individual control with Telis transmitter or/and wall switch**  
(Glydea™ DCT motor + RTS receiver)

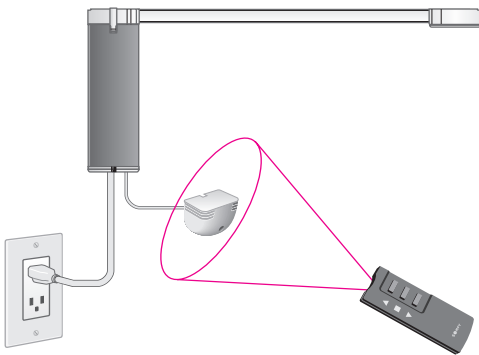


**Group and individual control with 4 channels Telis transmitter**  
(Glydea™ DCT motors + RTS receiver)

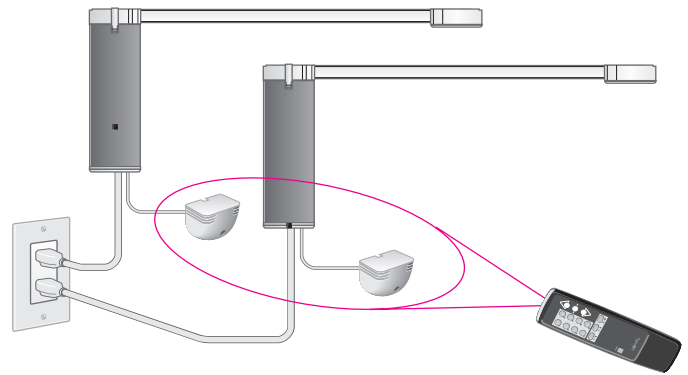


## GLYDEA™ INFRARED CONTROL

**Infrared individual control with IR sensor and IR1**



**Infrared group control with IR sensor and IR8**

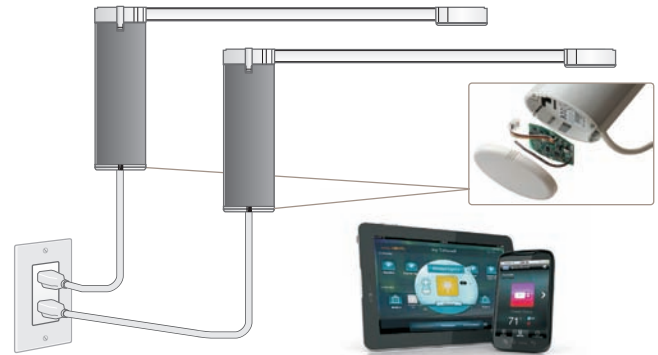


## GLYDEA™ Z-WAVE CONTROL

**Individual control**

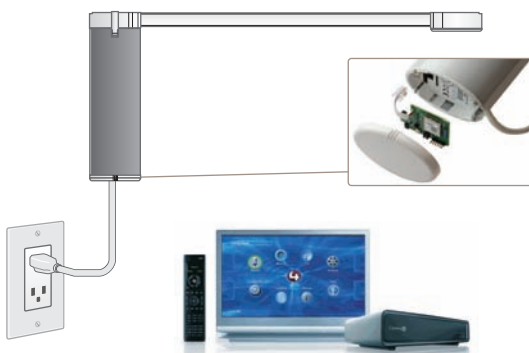


**Group and individual control**

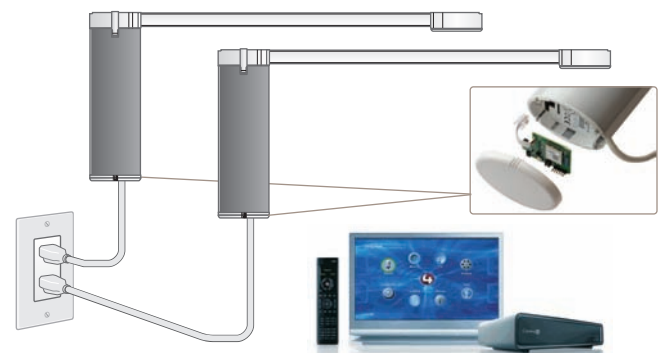


## GLYDEA™ ZIGBEE CONTROL

**Individual control**



**Group and individual control**



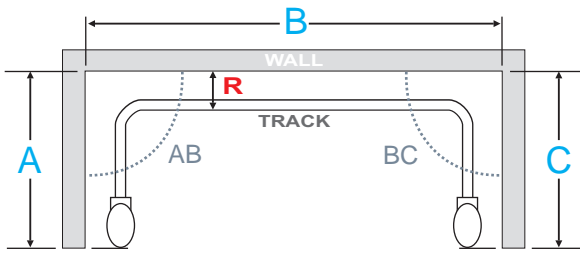
# Bent Drapery Track Measurement Form

The following dimensions are shown from the top view of the track and show various wall designs.

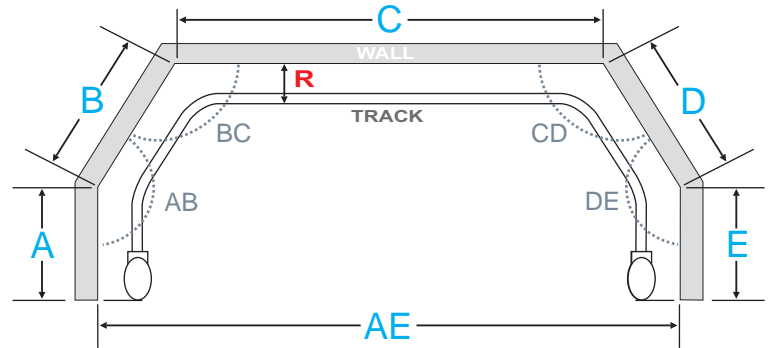
1. Choose the design that best fits your room setup.
2. Provide all of the proper wall measurements and degrees of all angles.
3. Provide the Return measurement "R" (distance from wall to front of draper track as shown) and submit to Somfy.

**NOTE: When fabricating your drapery, please add 1.5" to your return**

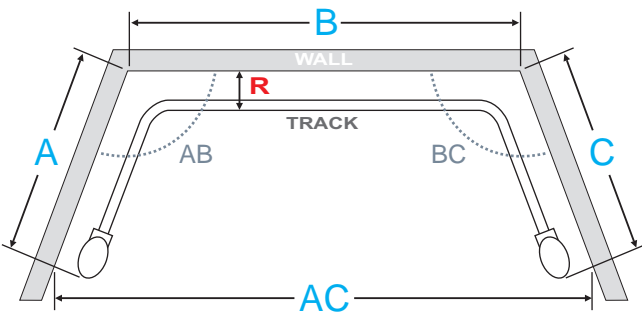
## STYLE 1 MEASUREMENT



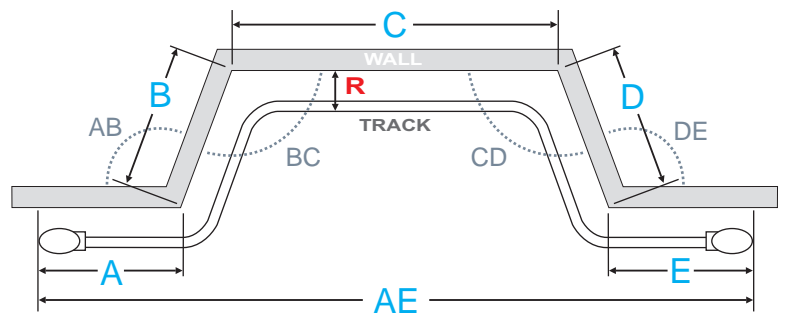
## STYLE 2 MEASUREMENT



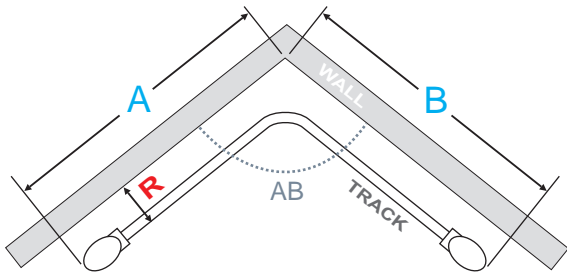
## STYLE 3 MEASUREMENT



## STYLE 4 MEASUREMENT



## STYLE 5 MEASUREMENT



### TRACK 1

Style _____	Degree of Bend
A _____	AB _____
B _____	BC _____
C _____	CD _____
D _____	DE _____
E _____	
AC _____	<b>"R" Dimension</b>
AE _____	

### TRACK 2

Style _____	Degree of Bend
A _____	AB _____
B _____	BC _____
C _____	CD _____
D _____	DE _____
E _____	
AC _____	<b>"R" Dimension</b>
AE _____	

Date: \_\_\_\_\_

Company Name: \_\_\_\_\_

Contact Name: \_\_\_\_\_

P.O. #: \_\_\_\_\_

PRINT NAME: \_\_\_\_\_

SIGNATURE: \_\_\_\_\_

Notes: \_\_\_\_\_

\_\_\_\_\_

\_\_\_\_\_

TITLE: \_\_\_\_\_

DATE: \_\_\_\_\_



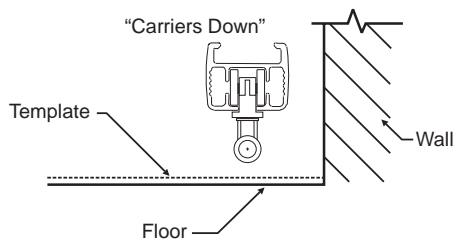
**What you need:** • Large piece of construction paper • Tape measure • Marker • Tape

- 1 Start with a large piece of construction paper that exceeds the depth and length of the curve.
- 2 Place the paper on the floor or ceiling depending on the orientation of the curve.
- 3 Secure the paper with the tape.
- 4 Clearly define the stacking side, motor placement, pocket depth and center line of track with the marker.
- 5 Mark the radius of the curve
- 6 Please provide as much detail as possible and all templates **must** include the following:
  - Indicate "room side"
  - Note how the template was created
    - Template created on the floor facing up (See Figure 1)(Preferred method)
    - Template created on the ceiling facing down (See Figure 2)
  - Purchase order number
  - Customer name
  - Company name and account number
- 7 Note the distance from the wall or the window to the center of the track.
 

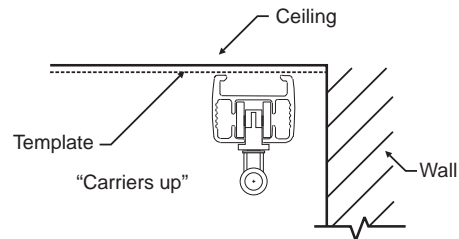
**NOTE:** Be sure to clear all possible obstructions such as handles, sills etc.
- 8 Identify the following measurement points:
  - Placement of motor
  - Exact stopping point of track on template
  - Total measurement of curve (See Figure 4-"C")

Please call Somfy for specialty curving applications. Depending on your particular application, your project may require special attention.

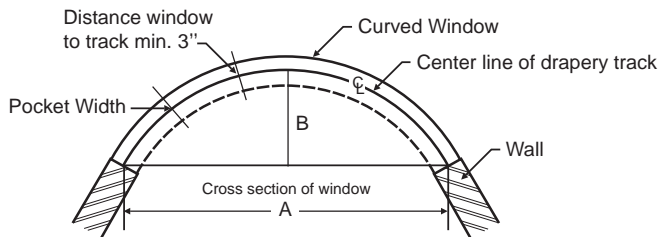
**Figure 1: Template on the Floor Facing Up**



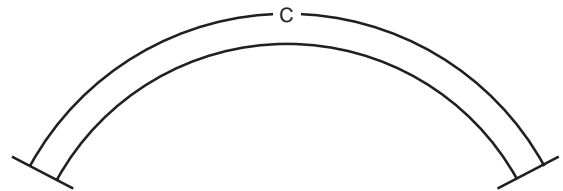
**Figure 2: Template on the Ceiling Facing Down**



**Figure 3: Critical Dimensions of a Curved Track**



**Figure 4: Total Measurement of Curve**



**Template Submission Instructions**

Attach a copy of the purchase order to the template.  
 Roll up template and place in a mailing tube. **DO NOT FOLD TEMPLATE**  
 Mail to: Somfy Systems, Inc.  
 121 Herrod Blvd.  
 Dayton, NJ 08810  
**Attn: Drapery Department**

- NOTE: When mailing, be sure to:**
- Get a tracking number
  - Include your return address
  - Include your purchase order number on the label

**Acceptable materials for making templates:**

- Kraft Paper • Butcher Paper • Construction Paper

**Somfy will not accept templates made from the following materials:**

- Newspaper • Plastic • Wax Paper • Fabric • Tissue Paper
- Roofing Paper • Existing Arch Shades • Wrapping Paper

**NOTE: If the material used to make a template stretches, tears easily, will not lay flat or will mark the fabric - IT WILL NOT BE USED.**

Date of Order: \_\_\_\_\_ Account #: \_\_\_\_\_ P.O. #: \_\_\_\_\_ Sidemark: \_\_\_\_\_

Special Shipping Directions: \_\_\_\_\_

**SOLD TO:**

Business Name: \_\_\_\_\_

Address: \_\_\_\_\_

City / State / Zip: \_\_\_\_\_

Phone #: \_\_\_\_\_ Fax #: \_\_\_\_\_

Ordered By: \_\_\_\_\_

Signature: \_\_\_\_\_

**SHIP TO:**

Business Name: \_\_\_\_\_

Address: \_\_\_\_\_

City / State / Zip: \_\_\_\_\_

Contact Name: \_\_\_\_\_

Phone #: \_\_\_\_\_ Fax #: \_\_\_\_\_

Email: \_\_\_\_\_

**ORDER DETAIL - Please see reverse for glossary and definition of terms**

Item #	Room	Qty	1 Motor Part No.	2 Width (in.)	3 Tandem	4 Motor Side	5 *Track Type	6 Stack (L/R/S)	7 **If Bent: # of bends	8 Carrier Type	9 Bracket Part No.	10 Butt Master	11 Splice
Example	Living Room	1	1001617	144		Left	F	S	2	RF80	1780907	7	NO X
1													
2													
3													
4													
5													
6													

\* For curved tracks, Somfy requires a template be provided. Please see Directions for Creating a Template for Drapery Curves on page 101 for template information.  
 \*\* For bent tracks, Somfy does not require a template. Please include the Bent Drapery Tracks Measurement Form on page 100 for exact measurements per angle.  
 NOTE: Somfy includes a center splice every 16' of track. Please indicate in the "SPECIAL INSTRUCTIONS" section if your requirements differ from Somfy's standard.

**SPECIAL INSTRUCTIONS**

\_\_\_\_\_

**CONTROLS:** In the space provided below, please list the part number(s) for the control(s) you desire. Please see pages 126-131 of the Workroom Guide for information on the types of controls available.

Given the nature of custom motorization products, control options and compatibility varies dramatically. If you would like further assistance with control options, simply note it in the field below and one of our customer service specialists will contact you upon the submission of your order.

\_\_\_\_\_

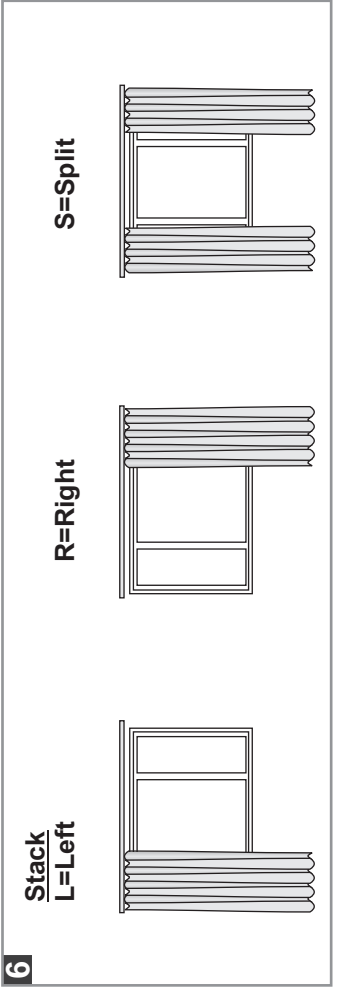
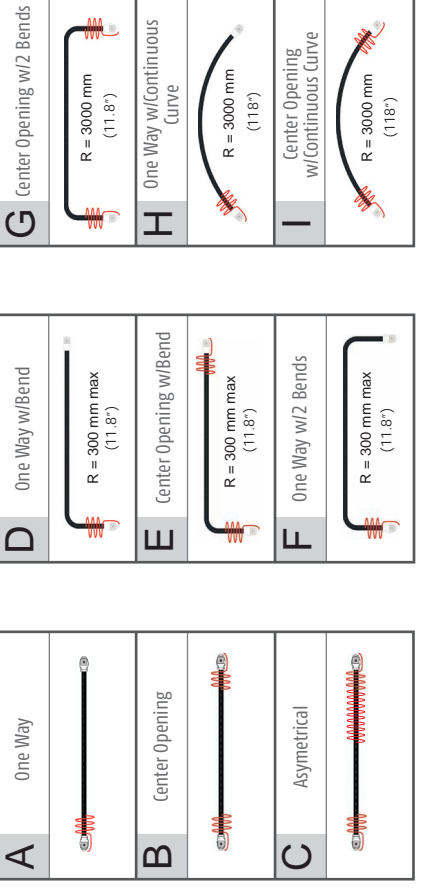
<b>1</b>	<b>Motor</b> Glydea™ 35 Motor DCT with 10' plug Glydea™ 35 Motor RTS with 10' plug Glydea™ 35 Motor RS485 with 10' plug Glydea™ 60 Motor DCT with 10' plug Glydea™ 60 Motor RTS with 10' plug Glydea™ 60 Motor RS485 with 10' plug	<b>Part Number</b> 1001536 1001615 1002109 1001538 1001617 1002108
----------	--	--

**2** **Width (Inches)**  
Glydea™ motorized tracks are custom built according to the specified width. Please note that the finished track width is measured pulley end to pulley end. For bent and curved tracks please provide the total of all wall measurements. When fabricating your drapery please add 1.5" to your return.

<b>3</b>	<b>Tandem</b> Y=Yes N=No Tandem motorized systems utilize two Glydea™ motors. Items needed for tandem systems should be noted in the Special Instructions Section of the order form. See page 82 for specification information.	<b>Dry Contact</b> Splitter # 9015442 7ft Modular Cable # 9013346 25 ft. Modular Cable # 9013149 35 ft. Modular Cable # 9013338	<b>Infrared</b> Splitter # 9015442 IR Receiver # 9154205 RJ9 to RJ11 Insert # 9014068 7ft Modular Cable # 9013346 25 ft. Modular Cable # 9013149 35 ft. Modular Cable # 9013338
----------	--	---	---

**4** **Motor Side**  
**L=Left Side R=Right Side**  
Choose the motor side best suited for your installation.

**5** **Track Type**  
**A-I See below O=Other**  
NOTE: Somfy requires a template for all curved tracks. Please see **Directions for Creating a Template for Drapery Curves** on page 101 for necessary information.



**7** **If Bent: # of Bends**  
**1=1 Bend, 2=2 Bends, 3=3 Bends, etc**  
NOTE: Somfy requires exact angle measurements for all bent tracks. Please submit completed and signed **Bent Drapery Track Measurement Form** page 100 with all bent track orders.

**8** **Carrier Type**  
PP=Pinch Pleat (QTY of 3 per foot included)  
RF80 = RippleFold® 80% fullness (QTY of 5 per foot spaced every 2 3/8" included)  
RF100 = RippleFold® 100% fullness (QTY of 6 per foot spaced every 2 1/8" included)  
RF120 = RippleFold® 120% fullness (QTY of 7 per foot spaced every 1 7/8" included)

**9** **Brackets**  
NOTE: Brackets are not included and must be ordered separately.  
**Part Numbers**  
One Touch Ceiling Bracket (not recommended for curved tracks) 1780907  
4.5"-6" Wall Mount Bracket 1782054  
8.75"-10.25" Double Wall Mount Bracket 1782053  
Swivel Ceiling Bracket (strongly recommended for curved tracks) 1780906  
Somfy recommends one (1) bracket by each pulley and one (1) bracket every 24". Additionally, one (1) bracket should be placed on each side of a splice if used.

**10** **Butt Master**  
**Y=Yes N=No**  
Only available for RippleFold® center opening systems.  
Quantity 2 required; please note item numbers in **Special Instructions Section** of the order form item # 1780953.

**11** **Splice**  
**X=Special splice instructions**  
Somfy includes a center splice every 16ft of track. Please indicate in the Special Instructions Section if your requirements differ from Somfy's standard.