



Goddard 231 Series Stainless Steel Globe Valve for Cryogenic Service



FEATURES:

- **Top Entry:** Rugged stainless steel * soft seated cryogenic globe valve. This valve can be permanently installed in the line and serviced from the top
- **Soft Seated:** PCTFE Seat provides a virtually bubble tight seal. Stem/Globe assembly is replaceable
- **Construction:** One piece investment cast bonnet eliminates welded joint in topworks
- **Stem Packing:** Proprietary Goddard system utilizing GRAFOIL®** flexible graphite
- **Sizes:** ¼" through 1½" (6mm through 40mm)
- **Ends:** Socket weld, Butt weld
- **Service:** Liquified and Gaseous hydrogen service only (see series 232 for non-hydrogen service)
- **Temperature Rating:** -425°F to 150°F (-254°C to +65°C)
- **Pressure Rating:** (Cold, Non-shock)
300 PSIG (20 Bar)
400 PSIG (27 Bar)

*Stainless steel ASTM A351-CF3M (316L)

**GRAFOIL® is a UCAR Carbon Company development

PED Approved, Approved for US and Canada
Designed to ASME B16.34

A rugged construction and easy access are design features which provide minimum installation and maintenance cost while maintaining superior performance and operator safety. This valve replaces higher cost bellows-seated valves in many applications. The proprietary Goddard GRAFOIL® stem packing system provides excellent performance when the valve operates in liquid hydrogen service.



Goddard 231 Series Stainless Steel Globe Valve for Cryogenic Service

Stainless Body • 400 PSIG Socket Weld Ends

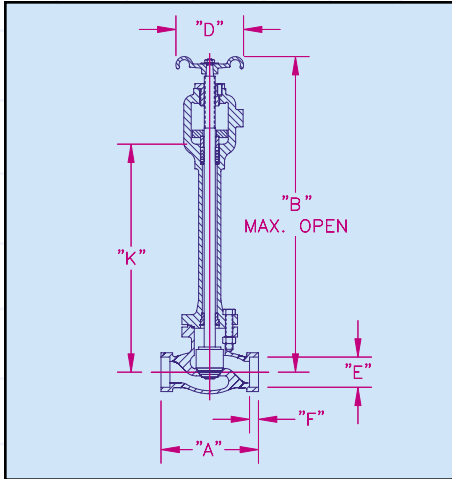
Part Number	Valve size Inches	Valve Size mm	Ends	Weight Lbs.	Weight Kgs.	Estimated Cv
S-000231-2S4	¼"	6 mm	Socket Weld	6 lbs.	2.72 Kgs.	1.30
S-000231-4S4	½"	15 mm	Socket Weld	6 lbs.	2.72 Kgs.	3.90
S-000231-6S4	¾"	20 mm	Socket Weld	10 lbs.	4.54 Kgs.	7.10
S-000231-8S4	1"	25 mm	Socket Weld	10 lbs.	4.54 Kgs.	10.50
S-000231-12S4	1½"	40 mm	Socket Weld	15 lbs.	6.80 Kgs.	25.00

Stainless Body • 300 PSIG Butt Weld Ends

Part Number	Valve size Inches	Valve Size mm	Ends	Weight Lbs.	Weight Kgs.	Estimated Cv
S-000231-4WA	½"	15 mm	Butt Weld	6 lbs.	2.72 Kgs.	3.90
S-000231-8WA	1"	25 mm	Butt Weld	10 lbs.	4.54 Kgs.	10.50
S-000231-12WA	1½"	40 mm	Butt Weld	15 lbs.	6.80 Kgs.	25.00



Goddard 231 Series Stainless Steel Globe Valve for Cryogenic Service

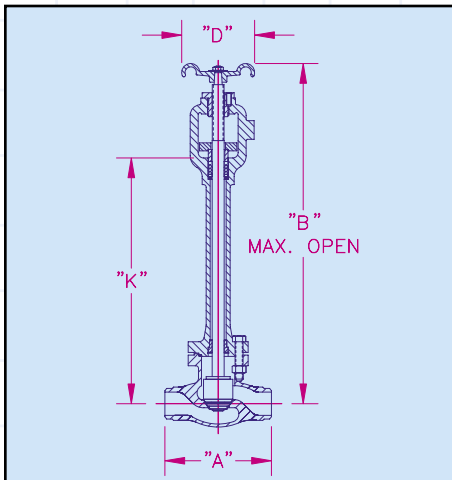


Pressure Rating 400 PSIG
 Temperature Rating +150° F to - 425° F
 This valve is not approved for gaseous and/or liquid oxygen service
 For oxygen service use Goddard series 232H cryogenic globe valve

Dimensional data
 All Dimensional Data are in inches.

SOCKET WELD ENDS

Size	"A"	"B"	"D"	"E"	"F"	"K"
1/4"	4 1/4"	14 9/16"	2 3/8"	0.560	0.375	10 3/16"
1/2"	4 1/4"	14 9/16"	2 3/8"	0.860	0.375	10 3/16"
3/4"	5 3/8"	17"	3"	1.070	0.500	11 1/2"
1"	5 3/8"	17"	3"	1.335	0.500	11 1/2"
1 1/2"	6 1/2"	18 14/16"	4"	1.920	0.500	12 5/16"



Pressure Rating 300 PSIG
 Temperature Rating +150° F to - 425° F
 This valve is not approved for gaseous and/or liquid oxygen service
 For oxygen service use Goddard series 232H cryogenic globe valve

Dimensional data
 All Dimensional Data are in inches.

BUTT WELD ENDS

Size	"A"	"B"	"D"	"K"
1/2"	4 1/4"	14 9/16"	2 3/8"	10 3/16"
1"	5"	17"	3"	11 1/2"
1 1/2"	6 1/2"	18 7/8"	4"	12 5/16"



Goddard 232 Series Stainless Steel Globe Valve for Cryogenic Service



Features:

- **Top Entry:** Rugged stainless steel * soft seated cryogenic globe valve. This valve can be permanently installed in the line and serviced from the top
- **Soft Seated:** PCTFE Seat provides a virtually bubble tight seal. Stem/Globe assembly is replaceable
- **Construction:** One piece investment cast bonnet eliminates welded joint in topworks.
- **Sizes:** ½" through 1½" (15mm through 40mm)
- **Ends:** Socket weld and Butt weld
- **Service:** Liquified and vaporized atmospheric gases, LNG
- **Temperature Rating:** -325°F to 150°F (-198°C to +65°C)
- **Pressure Rating:** (Cold, Non-shock)
300 PSIG (20 Bar)
400 PSIG (27 Bar)

*Stainless steel ASTM A351-CF3M (316L)

PED Approved, Approved for US and Canada
Designed to ASME B16.34

A rugged construction and easy access are design features which provide minimum installation and maintenance cost while maintaining superior performance and operator safety.



Goddard 232 Series Stainless Steel Globe Valve for Cryogenic Service

**Stainless Body
Socket Weld Ends
400 PSIG**

Part Number	Valve size Inches	Valve Size mm	Ends	Weight Lbs.	Weight Kgs.	Estimated Cv
S-000232-4S4	½"	15 mm	Socket Weld	6 lbs.	2.72 Kgs.	3.90
S-000232-8S4	1"	25 mm	Socket Weld	10 lbs.	4.54 Kgs.	10.50

**High Purity Cryogenic Bonnet Chrome Plated Naval Brass Yoke Bushing
Stainless Body
Butt Weld Ends
300 PSIG**

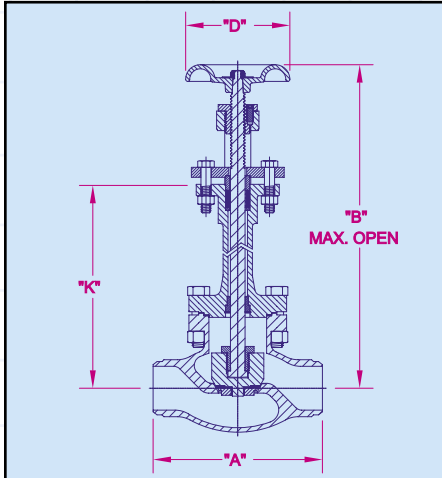
Part Number	Valve size Inches	Valve Size mm	Ends	Weight Lbs.	Weight Kgs.	Estimated Cv
S-232HCB-4WA	½"	15 mm	Butt Weld	6 Lbs.	2.72 Kgs.	3.90
S-232HCB-8WA	1"	25 mm	Butt Weld	10 Lbs.	4.54 Kgs.	10.50
S-232HCB-12WA	1½"	40 mm	Butt Weld	15 Lbs.	6.80 Kgs.	25.00

**High Purity Cryogenic Bonnet Chrome Plated Naval Brass Yoke Bushing
Socket Weld Ends
400 PSIG**

Part Number	Valve size Inches	Valve Size mm	Ends	Weight Lbs.	Weight Kgs.	Estimated Cv
S-232HCB-4S4	½"	15 mm	Socket Weld	6 lbs.	2.72 Kgs.	3.90
S-232HCB-8S4	1"	25 mm	Socket Weld	10 Lbs.	4.54 Kgs.	10.50
S-232HCB-12S4	1½"	40 mm	Socket Weld	15 Lbs.	6.80 Kgs.	25.00



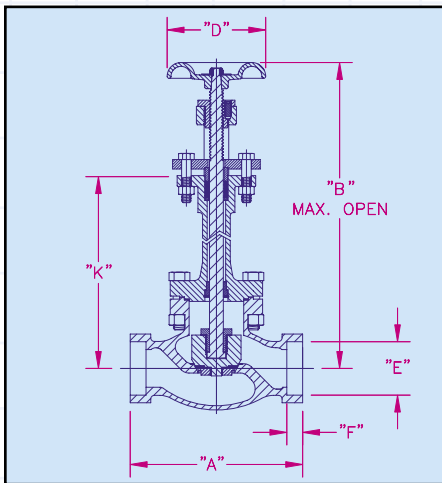
Goddard 232 Series Stainless Steel Globe Valve for Cryogenic Service



Pressure rating 300 PSIG non-shock cold
 Temperature rating +150° F to -325° F
 Dimensional Data
 All dimensions are in inches

BUTT WELD ENDS

Size	"A"	"B"	"D"	"K"
1/2"	4 1/4"	14 9/16"	2 3/8"	10 3/16"
1"	5"	17"	3"	11 1/2"
1 1/2"	6"	18 7/8"	4"	12 5/16"



Pressure rating 400 PSIG non-shock cold
 Temperature rating +150° F to -325° F
 Dimensional Data
 All dimensions are in inches

SOCKET WELD ENDS

Size	"A"	"B"	"D"	"E"	"F"	"K"
1/2"	4 1/4"	14 9/16"	2 3/8"	0.860	0.375	10 3/16"
1"	5 3/8"	17"	3"	1.335	0.500	11 1/2"
1 1/2"	6 1/2"	18 7/8"	4"	1.920	0.500	12 5/16"



Goddard 202X Series Bronze Globe Valve for Cryogenic Service Including 206LL, 206GF, 206ULL



Features:

- **Top Entry:** This union bonnet valve can be permanently installed in the line and serviced from the top
- **Construction:** Bronze cast body and bonnet
Rugged construction for long life
- **Designed with the unique Kold-Seal™** and high CV. Standard PTFE seat design assures bubble tight seating and high cycle life
- **Sizes:** ¼" through 2" (8mm through 50mm)
- **Ends:** Threaded (FNPT), Sil Braze Tube (SBT), or with stainless steel pipe nipples brazed in.
- **Service:** Liquified and vaporized atmospheric gases, LNG
- **Temperature Rating:** -325°F to 150°F (-196°C to +65°C)
- **Pressure Rating:** (Cold, Non-shock)
202 Series Rated for 400 PSIG
206 Series Rated for 600 PSIG
Sizes 1.5" to 2.0" PED approved per EN10204, 3.1

Kold-Seal™ Technology assures tight seal preventing cryogen gas loss. Non-extended stem for selective cold gas service.



Goddard 202X Series Bronze Globe Valve for Cryogenic Service Including 206LL, 206GF, 206ULL

202X

Bronze Globe Valves
 Non-Extended Stem - Conical Seat
 400 PSIG Cold Working Pressure
 For selective Cold Gas Applications

Threaded End

Part Number	NPT Valve size Inches	Valve Size mm	Ends	Weight Lbs.	Weight Kgs.	Estimated Cv
B-00202X-12T4	1½"	40 mm	Threaded	6.50 Lbs.	3.00 Kgs.	29.00
B-00202X-16T4	2"	50 mm	Threaded	10.50 Lbs.	4.80 Kgs.	50.00

Sil Braze Ends

Part Number	SBT Valve size Inches *	Valve Size mm *	Ends	Weight Lbs.	Weight Kgs.	Estimated Cv
B-00202X-4S4	½"	15 mm	Silver Braze	1.50 Lbs.	0.7 Kgs.	3.90
B-00202X-8S4	1"	25 mm	Silver Braze	3.25 Lbs.	1.50 Kgs.	11.50
B-00202X-12S4	1½"	40 mm	Silver Braze	6.50 Lbs.	3.00 Kgs.	29.00
B-00202X-16S4	2"	50 mm	Silver Braze	10.50 Lbs.	4.80 Kgs.	50.00

* Nominal Size

206GF

Bronze Globe Valves
 Non-Extended Stem - PFA seat with high temperature, low permeability GRAFOIL® packing and gasket.
 600 PSIG Cold Working Pressure
 For Selective Cold Gas Applications
 High Temperature Service Rating +350°F

Threaded Ends

Part Number	Valve size Inches	Valve Size mm	Ends	Weight Lbs.	Weight Kgs.	Estimated Cv
VB-0206GF-2T6	¼"	8 mm	Threaded	1.25 Lbs.	0.6 Kgs.	1.30
VB-0206GF-4T6	½"	15 mm	Threaded	1.50 Lbs.	0.70 Kgs.	3.90
VB-0206GF-6T6	¾"	20 mm	Threaded	2.50 Lbs.	1.10 Kgs.	7.10
VB-0206GF-8T6	1"	25 mm	Threaded	3.50 Lbs.	1.60 Kgs.	11.50
VB-0206GF-12T6	1½"	40 mm	Threaded	7.00 Lbs.	3.20 Kgs.	29.00
VB-0206GF-16T6	2"	50 mm	Threaded	11.75 Lbs.	5.30 Kgs.	50.00



Goddard 202X Series Bronze Globe Valve for Cryogenic Service Including 206LL, 206GF, 206ULL

206LL

Bronze Globe Valves
 Non-Extended Stem
 Live Loaded Packing
 600 PSIG Cold Working Pressure
 For Selective Cold Gas Applications

Threaded Ends

Part Number	NPT Valve size Inches	Valve Size mm	Ends	Weight Lbs.	Weight Kgs.	Estimated Cv
B-0206LL-2T6	¼"	8 mm	¼" NPT	1.25 Lbs.	0.6 Kgs.	1.30
B-0206LL-3T6	⅜"	10 mm	⅜" NPT	1.25 Lbs.	0.6 Kgs.	2.40
B-0206LL-4T6	½"	15 mm	½" NPT	1.75 Lbs.	0.8 Kgs.	3.90
B-0206LL-6T6	¾"	20 mm	¾" NPT	2.5 Lbs.	1.1 Kgs.	7.10
B-0206LL-8T6	1"	25 mm	1" NPT	3.5 Lbs.	1.6 Kgs.	11.50

Sil Brazed Ends

Part Number	SBT Valve size Inches *	Valve Size mm	Ends	Weight Lbs.	Weight Kgs.	Estimated Cv
B-0206LL-4S6	½"	10 mm	Silver Braze	1.25 Lbs.	0.6 Kgs.	3.90
B-0206LL-6S6	¾"	15 mm	Silver Braze	1.75 Lbs.	0.8 Kgs.	7.10
B-0206LL-8S6	1"	20 mm	Silver Braze	2.5 Lbs.	1.1 Kgs.	11.50

* Nominal Size

206ULL

Bronze Globe Valves
 Non-Extended Stem
 Live Loaded Packing - Union Bonnet
 600 PSIG Cold Working Pressure
 For Selective Cold Gas Applications

Threaded Ends

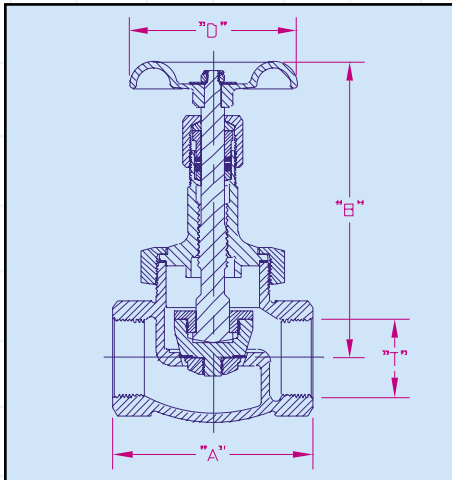
Part Number	Valve size Inches	Valve Size mm	Ends	Weight Lbs.	Weight Kgs.	Estimated Cv
B-206ULL-12T6	1½"	40 mm	1½" NPT	7 Lbs.	3.2 Kgs.	29.00
B-206ULL-16T6	2"	50 mm	2" NPT	11.75 Lbs.	5.3 Kgs.	50.00

Sil Brazed Ends

Part Number	Valve size Inches	Valve Size mm	Ends	Weight Lbs.	Weight Kgs.	Estimated Cv
B-206ULL-12S6	1½"	40 mm	Silver Braze	7 Lbs.	3.2 Kgs.	29.00
B-206ULL-16S6	2"	50 mm	Silver Braze	11.75 Lbs.	5.3 Kgs.	50.00



Goddard 202X Series Bronze Globe Valve for Cryogenic Service Including 206LL, 206GF, 206ULL

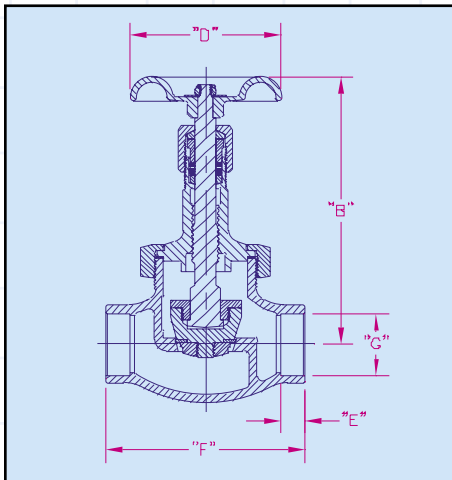


**202 Series
202X**
Pressure Rating 400 PSIG
Temperature Rating +150°F to -325°F
Non-Extended Valve for Cold Gas Applications
Conical Seat

Dimensional data
All Dimensional Data are in inches.

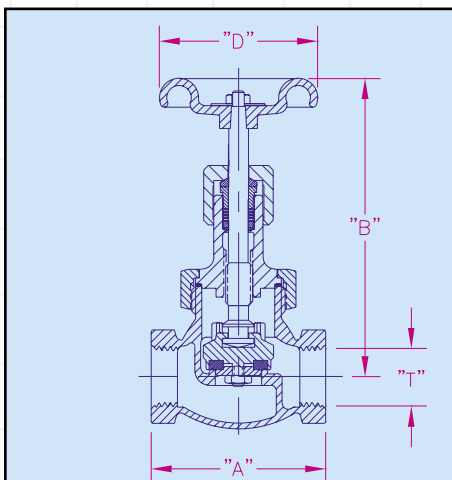
THREADED ENDS

Size	"A"	"B"	"D"	"T" NPT
1½"	4¾"	8⅝"	4"	1½"
2"	5¾"	9½"	4¾"	2"



SILVER BRAZED ENDS

Size	"B"	"D"	"E"	"F"	"G"
½"	4⅝"	2"	.38	3¼"	.628/1.630
1"	4⅝"	2"	.44	4¼"	1.129/1.131
1½"	5"	2⅜"	.62	5¼"	1.629/1.632
2"	5¾"	2¾"	.66	6½"	2.129/2.132



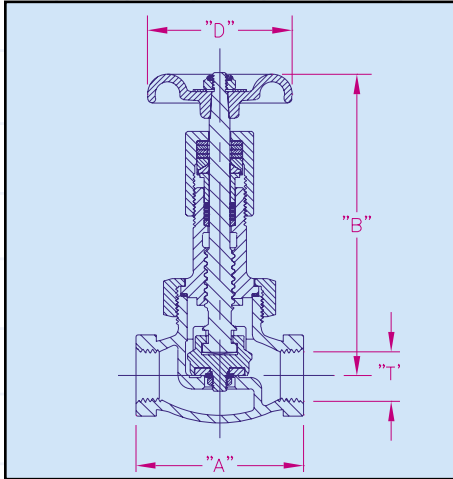
206GF
Pressure Rating 600 PSIG
Temperature Rating +350°F to -325°F
Non-Extended Stem - GRAFOIL® Packing, Gasket and PFA Seat
Dimensional data
All Dimensional Data are in inches.

THREADED ENDS

Size	"A"	"B"	"D"	"T" NPT
¼"	2⅝"	4⅝"	2"	¼"
½"	2⅝"	5"	2⅜"	½"
¾"	3⅜"	5¾"	2¾"	¾"
1"	3¾"	6¾"	3"	1"
1½"	4¾"	8⅝"	4"	1½"
2"	5¾"	9½"	4¾"	2"



Goddard 202X Series Bronze Globe Valve for Cryogenic Service Including 206LL, 206GF, 206ULL



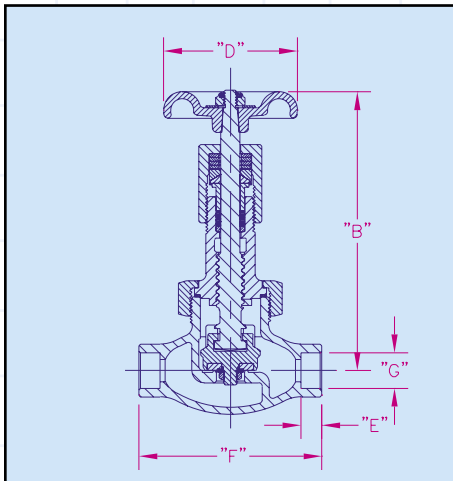
206LL

Pressure Rating 600 PSIG
 Temperature Rating +150° F to -325° F
 Live Load Packing

Dimensional Data
 All Dimensions are in Inches

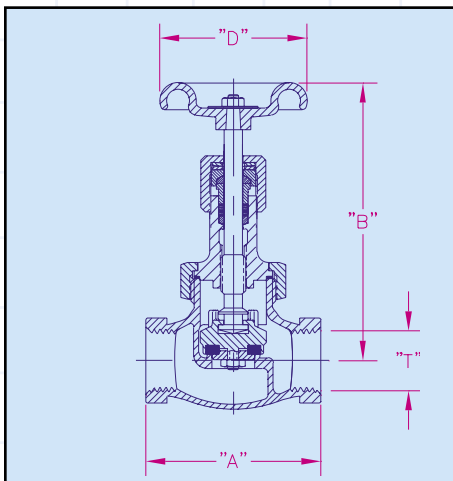
THREADED ENDS

Size	"A"	"B"	"D"	"T" NPT
1/4"	2 ⁵ / ₈ "	5"	2 ³ / ₈ "	1/4"
3/8"	2 ⁵ / ₈ "	5"	2 ³ / ₈ "	3/8"
1/2"	2 ⁵ / ₈ "	5"	2 ³ / ₈ "	1/2"
3/4"	3 ³ / ₁₆ "	5 ³ / ₄ "	2 ³ / ₄ "	3/4"
1"	3 ³ / ₄ "	5 ³ / ₄ "	3"	1"



SIL BRAZED ENDS

Size	"B"	"D"	"G"	"E"	"F"
1/4"	5"	2 ³ / ₈ "	.378/.380	.26	2 ³ / ₈ "
1/2"	5"	2 ³ / ₈ "	.628/.630	.38	3 ¹ / ₄ "
3/4"	5 ³ / ₄ "	2 ³ / ₄ "	.878/.880	.41	4 ¹ / ₄ "



206ULL

Pressure Rating 600 PSIG
 Temperature Rating +150° F to -325° F
 Live Load Packing - Union Bonnet

Dimensional Data
 All Dimensions are in Inches

THREADED ENDS

Size	"A"	"B"	"D"	"T" NPT
1 1/2"	4 ³ / ₄ "	8 ⁵ / ₈ "	4"	1 1/2"
2"	5 ³ / ₄ "	11 ³ / ₄ "	4 ³ / ₄ "	2"



Goddard 222 Series Bronze Globe Valve for Cryogenic Service Including 226LL, 226GF, 226ULL



Features:

- **Top Entry:** This union bonnet valve can be permanently installed in the line and serviced from the top. Stainless Steel tube prevents stem distortion. Also available in bolted bonnet configuration.
- **Construction:** Bronze cast body and bonnet Rugged construction for long life
- **Designed with the unique Kold-Seal™** and high CV. standard PTFE seat design assures bubble tight seating and high cycle life
- **Sizes:** ¼" through 3" (8mm through 80mm)
- **Ends:** Threaded (FNPT), Sil Braze Tube (SBT), Silver Braze Pipe, back brazed threaded pipe nipples
- **Service:** Liquified and vaporized atmospheric gases, LNG
- **Temperature Rating:** -325°F to 150°F (-196°C to +65°C)
- **Pressure Rating:** (Cold, Non-shock)
400 and 600 PSIG
Sizes 1½" to 3" PED approved per EN10204, 3.1

Kold-Seal™ Technology assures tight seal preventing cryogen gas loss.

Special bonnet lengths available upon request.

Extended stem suitable for cold box, transport vehicles, pipelines, and customer service applications.

Live loaded option improves life of asset and minimizes service costs.

Replaceable top works means low maintenance costs.



Goddard 222 Series Bronze Globe Valve for Cryogenic Service Including 226LL, 226GF, 226ULL

222X

Bronze Globe Valves
 Extended Stem - Conical Seat
 400 PSIG Cold Working Pressure

Threaded End

Part Number	NPT size Inches	NPT Size mm	Ends	Weight Lbs.	Weight Kgs.	Estimated Cv
B-00222X-2T4	¼"	8 mm	Threaded	1.50 Lbs.	0.70 Kgs.	1.30
B-00222X-4T4	½"	15 mm	Threaded	1.50 Lbs.	0.70 Kgs.	3.25
B-00222X-6T4	¾"	20 mm	Threaded	3.00 Lbs.	1.40 Kgs.	6.25
B-00222X-8T4	1"	25 mm	Threaded	4.00 Lbs.	1.80 Kgs.	10.00
B-00222X-12T4	1½"	40 mm	Threaded	7.75 Lbs.	3.50 Kgs.	26.00
B-00222X-16T4	2"	50 mm	Threaded	12.50 Lbs.	5.70 Kgs.	45.00
B-00222X-20T4	2½"	63.5 mm	Threaded	61.00 Lbs.	27.70 Kgs.	50.00
B-00222X-24T4	3"	80 mm	Threaded	61.00 Lbs.	27.70 Kgs.	100.00

Sil Brazed End

Part Number	SBT size Inches	SBT Size mm	Ends	Weight Lbs.	Weight Kgs.	Estimated Cv
B-00222X-4S4	½"	15 mm	Silver Braze	2.00 Lbs.	0.90 Kgs.	3.25
B-00222X-6S4	¾"	20 mm	Silver Braze	2.75 Lbs.	1.30 Kgs.	6.25
B-00222X-8S4	1"	25 mm	Silver Braze	3.75 Lbs.	1.70 Kgs.	10.00
B-00222X-12S4	1½"	40 mm	Silver Braze	7.25 Lbs.	3.30 Kgs.	26.00
B-00222X-16S4	2"	50 mm	Silver Braze	11.50 Lbs.	5.20 Kgs.	45.00
B-00222X-24S4	3"	80 mm	Silver Braze	58.00 Lbs.	26.40 Kgs.	100.00

226LL

Bronze Globe Valves
 Live Load Packing
 Extended Stem
 600 PSIG Cold Working Pressure

Threaded End

Part Number	NPT size Inches	NPT Size mm	Ends	Weight Lbs.	Weight Kgs.	Estimated Cv
B-0226LL-2T6	¼"	8 mm	Threaded	1.50 Lbs.	0.70 Kgs.	1.30
B-0226LL-3T6	⅜"	10 mm	Threaded	1.50 Lbs.	0.70 Kgs.	2.40
B-0226LL-4T6	½"	15 mm	Threaded	1.50 Lbs.	0.70 Kgs.	3.25
B-0226LL-6T6	¾"	20 mm	Threaded	3.00 Lbs.	1.40 Kgs.	6.25
B-0226LL-8T6	1"	25 mm	Threaded	4.00 Lbs.	1.80 Kgs.	10.00

Sil Brazed Ends

Part Number	SBT size Inches	SBT Size mm	Ends	Weight Lbs.	Weight Kgs.	Estimated Cv
B-0226LL-4S6	½"	15 mm	Silver Braze	2.00 Lbs.	0.90 Kgs.	3.25
B-0226LL-6S6	¾"	20 mm	Silver Braze	2.75 Lbs.	1.30 Kgs.	6.25
B-0226LL-8S6	1"	25 mm	Silver Braze	3.75 Lbs.	1.70 Kgs.	10.00



Goddard 222 Series Bronze Globe Valve for Cryogenic Service Including 226LL, 226GF, 226ULL

226ULL

Bronze Globe Valves
Live Loaded Packing - Union Bonnet
Extended Stem
600 PSIG Cold Working Pressure

Threaded End

Part Number	NPT size Inches	NPT Size mm	Ends	Weight Lbs.	Weight Kgs.	Estimated Cv
B-226ULL-12T6	1½"	40 mm	Threaded	7.75 Lbs.	3.50 Kgs.	26.00
B-226ULL-16T6	2"	50 mm	Threaded	12.50 Lbs.	5.70 Kgs.	45.00

Sil Brazed Ends

Part Number	SBT size Inches*	SBT Size mm*	Ends	Weight Lbs.	Weight Kgs.	Estimated Cv
B-226ULL-12S6	1½"	40 mm	Silver Braze	7.25 Lbs.	3.30 Kgs.	26.00
B-226ULL-16S6	2"	50 mm	Silver Braze	11.50 Lbs.	5.20 Kgs.	45.00

*Nominal Size

226XGF

Bronze Globe Valves
Extended Stem - Conical Seat GRAFIOIL Packing, Gasket and PFA Seat
600 PSIG Cold Working Pressure

Threaded End

Part Number	NPT size Inches	NPT Size mm	Ends	Weight Lbs.	Weight Kgs.	Estimated Cv
VB-226XGF-4T6	½"	15 mm	Threaded	1.50 Lbs.	0.70 Kgs.	3.25
VB-226XGF-6T6	¾"	20 mm	Threaded	3.00 Lbs.	1.40 Kgs.	6.25
VB-226XGF-8T6	1"	25 mm	Threaded	4.00 Lbs.	1.80 Kgs.	10.00

226BLL

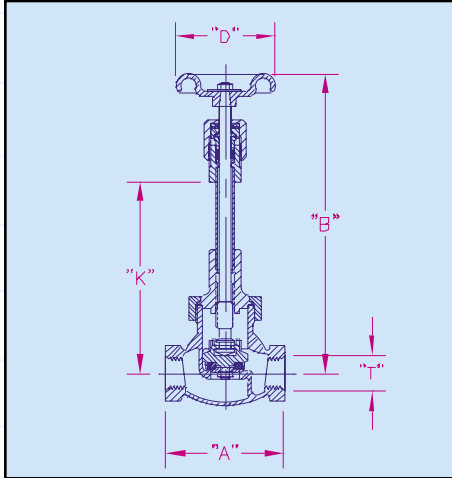
Bronze Globe Valves
Live Loaded Packing - Bolted Bonnet
Extended Stem
600 PSIG Cold Working Pressure

Threaded End

Part Number	NPT size Inches	NPT Size mm	Ends	Weight Lbs.	Weight Kgs.	Estimated Cv
B-226BLL-12T6	1½"	40 mm	Threaded	7.75 Lbs.	3.50 Kgs.	26.00
B-226BLL-16T6	2"	50 mm	Threaded	12.50 Lbs.	5.70 Kgs.	45.00



Goddard 222 Series Bronze Globe Valve for Cryogenic Service Including 226LL, 226GF, 226ULL

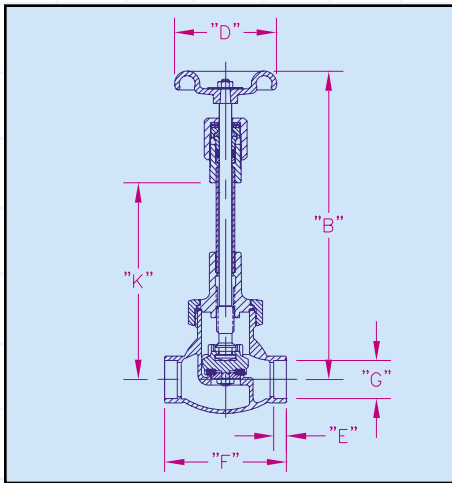


226ULL
 Pressure Rating 600 PSIG
 Temperature Rating +150°F to -325°F

Dimensional data
 All Dimensional Data are in inches.

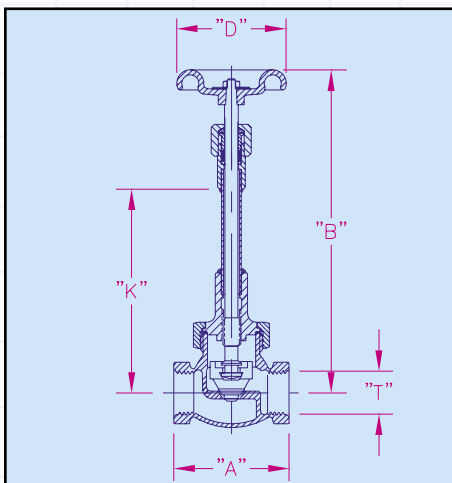
THREADED ENDS

Size	"A"	"B"	"D"	"T" NPT	"K"
1½"	4¾"	14 ⁵ / ₈ "	4"	1½"	9 ¹¹ / ₁₆ "
2"	5¾"	15 ¹ / ₈ "	4¾"	2"	9 ¹¹ / ₁₆ "



SIL BRAZED END

Size	"B"	"D"	"E"	"F"	"G"	"K"
1½"	14 ⁵ / ₈ "	4"	5/8"	5¼"	1.63"	9 ¹¹ / ₁₆ "
2"	15 ¹ / ₈ "	4¾"	2 ¹ / ₃₂ "	6½"	2.13"	9 ¹¹ / ₁₆ "



226XGF
 Pressure Rating 600 PSIG
 Temperature Rating +150°F to -325°F

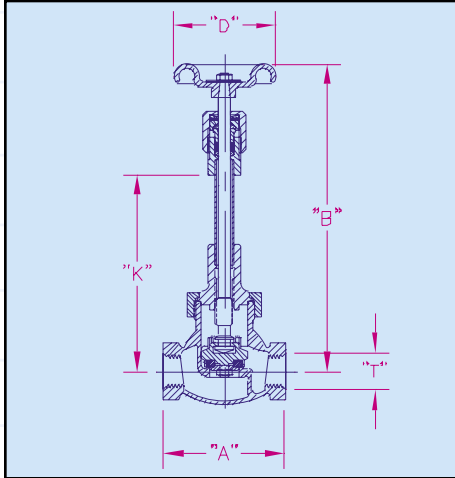
Dimensional data
 All Dimensional Data are in inches.

THREADED ENDS

Size	"A"	"B"	"D"	"T" NPT	"K"
½"	2 ⁵ / ₈ "	8¼"	2 ³ / ₈ "	½"	4 ⁷ / ₈ "
¾"	3 ³ / ₁₆ "	8 ⁵ / ₈ "	2¾"	¾"	4 ¹³ / ₁₆ "
1"	3¾"	10½"	3"	1"	6½"



Goddard 222 Series Bronze Globe Valve for Cryogenic Service Including 226LL, 226GF, 226ULL

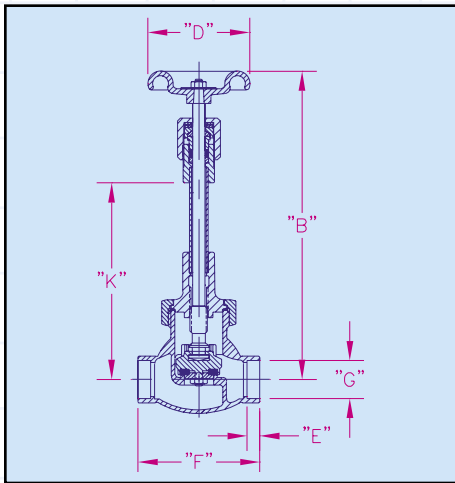


226ULL
 Pressure Rating 600 PSIG
 Temperature Rating +150°F to -325°F

Dimensional data
 All Dimensional Data are in inches.

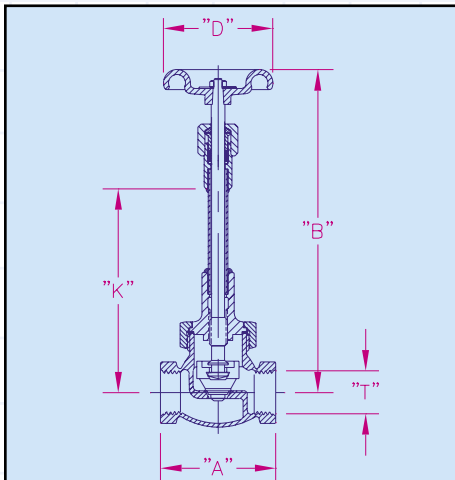
THREADED ENDS

Size	"A"	"B"	"D"	"T" NPT	"K"
1½"	4¾"	14⅝"	4"	1½"	9⅛"
2"	5¾"	15⅝"	4¾"	2"	9⅛"



SIL BRAZED END

Size	"B"	"D"	"E"	"F"	"G"	"K"
1½"	14⅝"	4"	⅝"	5¼"	1.63"	9⅛"
2"	15⅝"	4¾"	21/32"	6½"	2.13"	9⅛"



226XGF
 Pressure Rating 600 PSIG
 Temperature Rating +150°F to -325°F

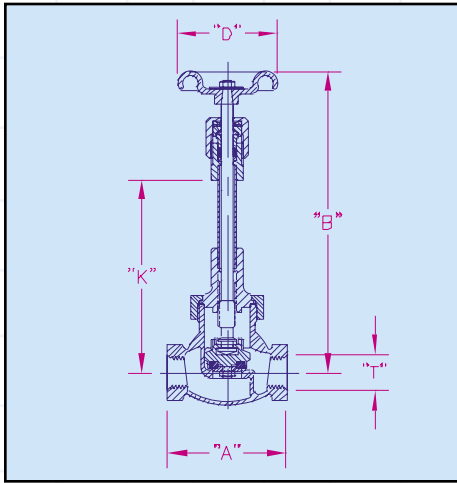
Dimensional data
 All Dimensional Data are in inches.

THREADED ENDS

Size	"A"	"B"	"D"	"T" NPT	"K"
½"	2⅝"	8¼"	2⅝"	½"	4⅞"
¾"	3 ⅜"	8⅝"	2¾"	¾"	4 13/16"
1"	3¾"	10½"	3"	1"	6½"



Goddard 222 Series Bronze Globe Valve for Cryogenic Service Including 226LL, 226 GF, 226ULL



226LL

Pressure Rating 600 PSIG

Temperature Rating +150° F to -325° F

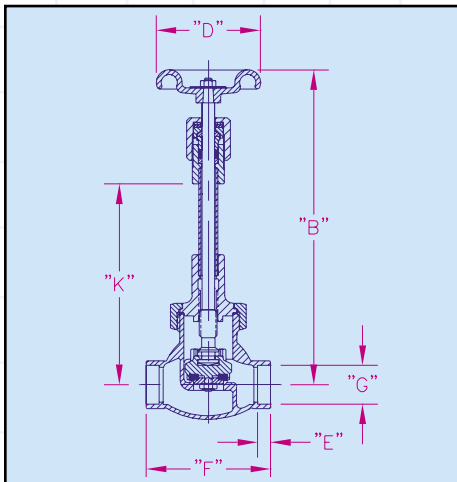
Dimensional Data

All Dimensions are in Inches

THREADED ENDS

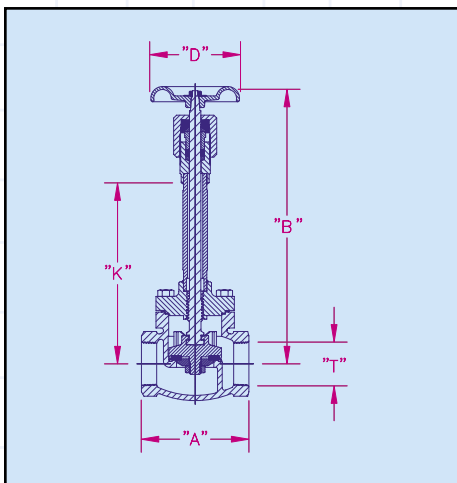
Size	"A"	"B"	"D"	"T" NPT	"K"
1/4"	2 5/16"	7 9/16"	2"	1/4"	4 19/32"
3/8"	2 5/16"	7 9/16"	2"	3/8"	4 19/16"
1/2"	2 5/8"	8 1/4"	2 3/8"	1/2"	4 7/8"
3/4"	3 3/16"	8 5/8"	2 3/4"	3/4"	4 13/16"
1"	3 3/4"	10 1/2"	3"	1"	6 1/2"

*Bolted Bonnet



SIL BRAZED ENDS

Size	"B"	"D"	"E"	"F"	"G"	"K"
1/2"	8 1/4"	2 3/8"	3/8"	3 1/4"	.63	4 7/8"
3/4"	8 5/8"	2 3/4"	13/32"	3 3/4"	.88	4 13/16"
1"	10 1/2"	3"	7/16"	4 1/4"	1.13	6 1/2"



THREADED ENDS - BOLTED BONNET

Size	"A"	"B"	"D"	"T" NPT	"K"
1 1/2"	4 3/4"	14 5/8"	4"	1 1/2"	9 11/16"
2"	5 3/4"	14 15/16"	4 3/4"	2"	9 11/16"