



®

GRAVELY

800 Series
Riding Tractors

ILLUSTRATED PARTS LIST

NOTICE

The pages in this book are not numbered.
It is suggested, for your convenience, that
the pages be numbered following the index
at the front of the book.

BrentChalmers.com

FORM NO. 21401 (5-76) PRINTED IN U.S.A.

GRAVELY LAWN AND GARDEN COMPACT RIDING TRACTORS

Model Number

21201	E1
21202	E1
21203	E1
21204	E1
21205	E1
21206	E1

To continue its program of quality and design improvement, the manufacture reserves the right to change specifications, design or prices without notice and without incurring obligations.



A Division of Clarke-Gravely Corporation

ONE GRAVELY LANE

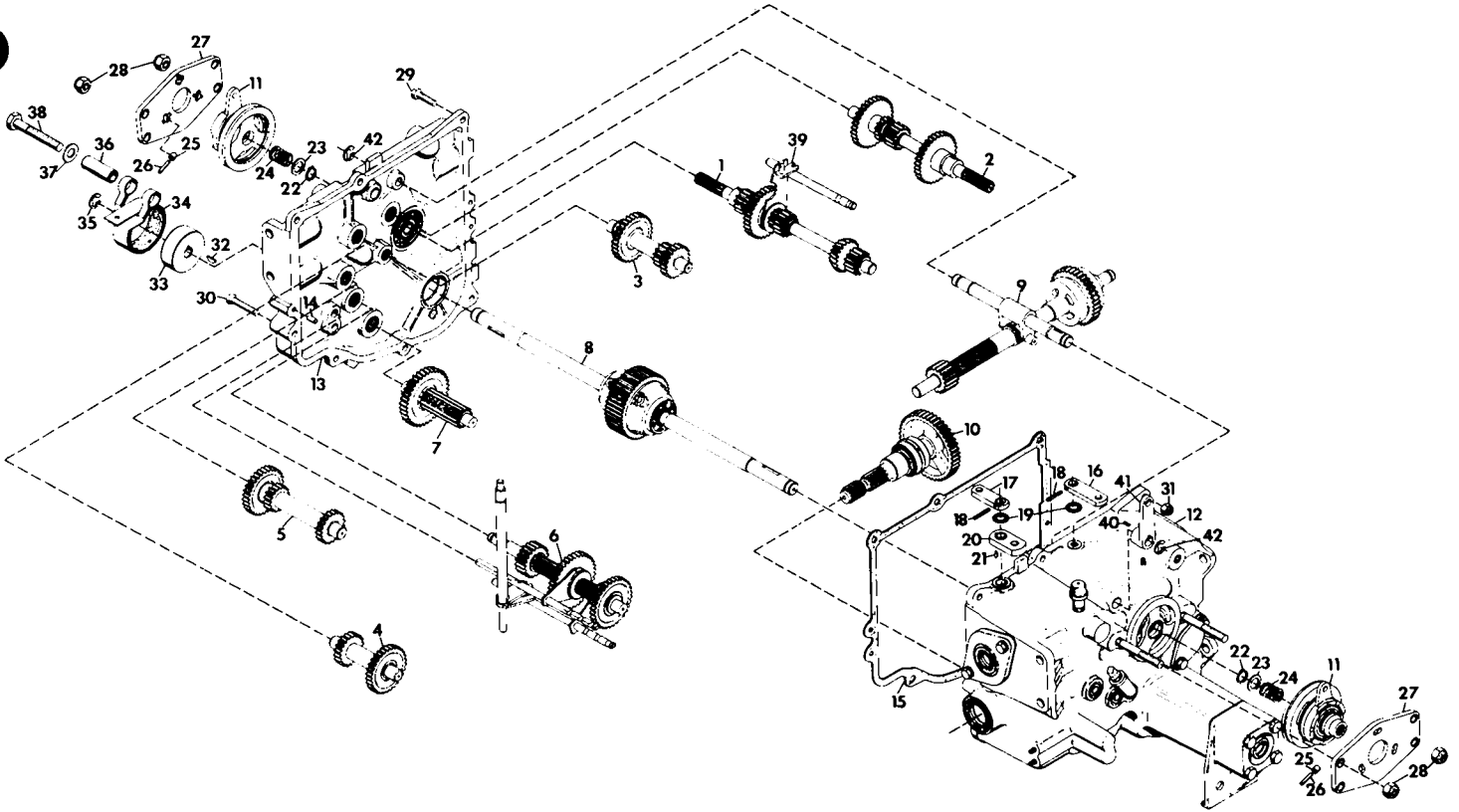
Clemmons, North Carolina 27012

BrentChalmers.com

INDEX

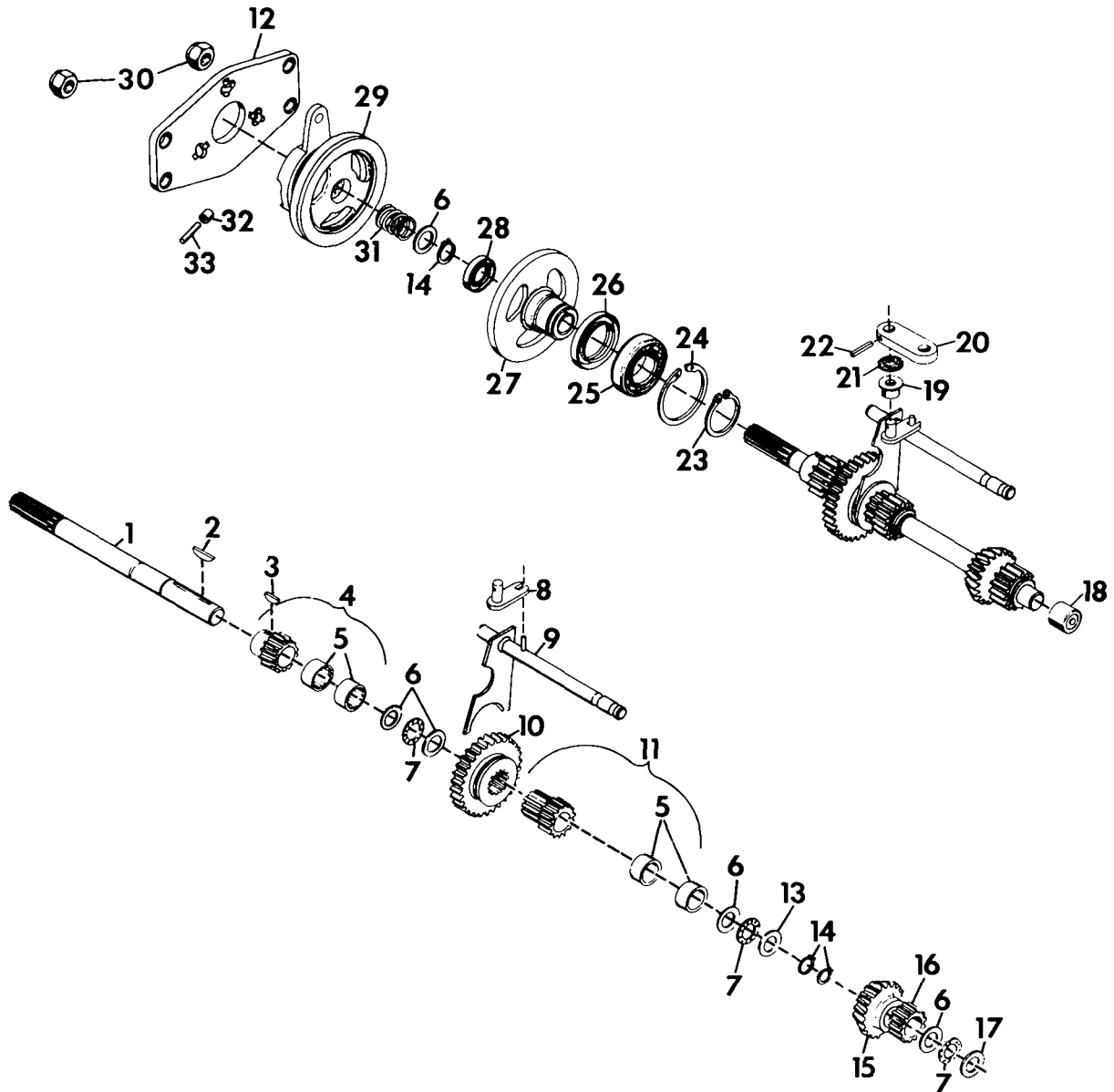
PAGE	
1.	Transmission Assembly
2.	Number 1 Shaft, Forward Clutch
3.	Number 2 Shaft, Reverse Clutch
3.	Number 3 Shaft, 3rd & 4th Gear
4.	Number 4 Shaft, Idler
4.	Number 5 Shaft, 1st & 2nd Gear
5.	Number 6 Shaft, Brake & Sliding Gear
6.	Number 7 Shaft, Pinion & Final Drive
6.	Number 8 Shaft, Differential Assembly
7.	Number 9 Shaft, PTO Clutch Assembly
8.	Number 10 Shaft, PTO Drive Assembly
8.	Number 11, Forward-Reverse Clutch Assembly
9.	Number 12, Transmission Case Assembly
10.	Number 13, Transmission Cover Assembly
11.	Manual Lift Controls
12.	Hydraulic System
14.	Steering Assembly
15.	Front & Rear Wheel Assembly
16.	Transmission & Brake Controls
18.	Tractor Frame Assembly
20.	Rear Hitch 810, 812, 816 & 816S
21.	Fuel, Engine & Exhaust System 816
22.	Fuel, Engine & Exhaust System 816S
23.	Fuel, Engine & Exhaust System 810 & 812
24.	Electrical System 810
25.	Electrical System 812
26.	Electrical System 816S
27.	Electrical System 816
28.	Wiring Diagrams 810 & 812
29.	Wiring Diagrams 816S & 816

TRANSMISSION ASSEMBLY



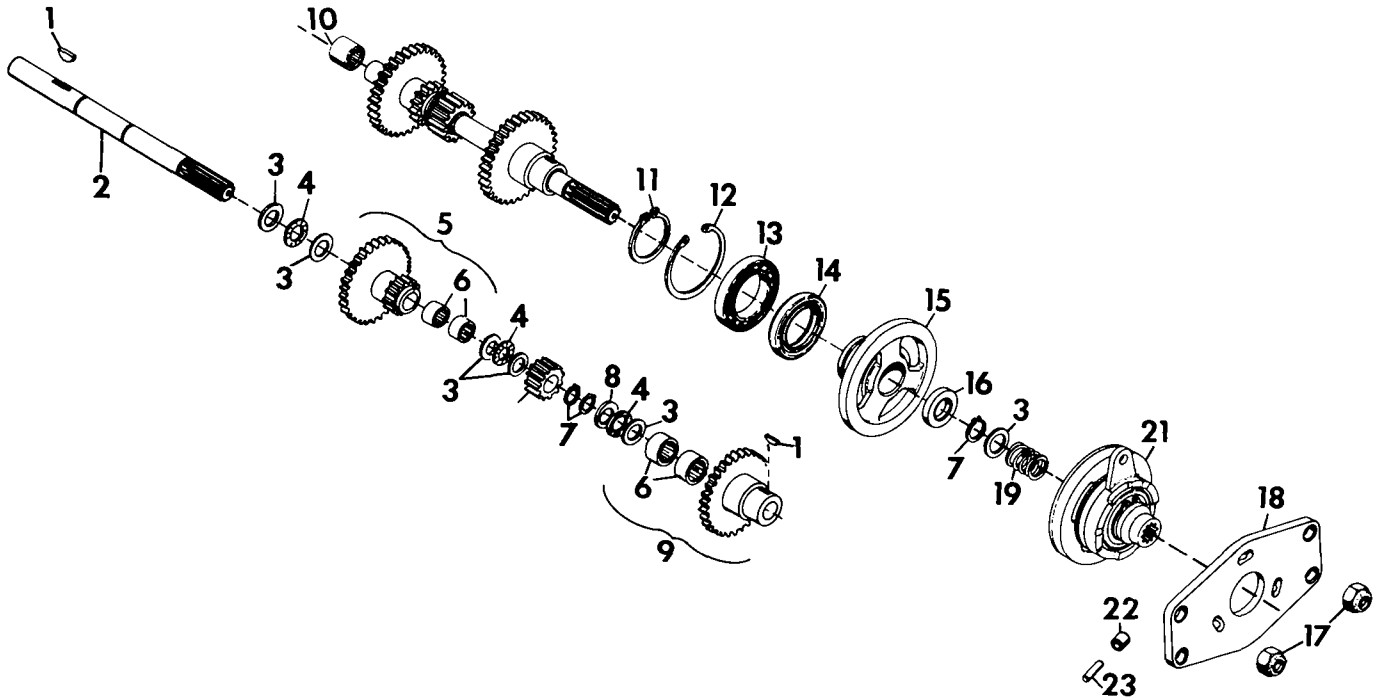
ITEM NO.	PART NO.	DESCRIPTION
1.	Refer To:	Number 1 Shaft, Forward Clutch
2.	Refer To:	Number 2 Shaft, Reverse Clutch
3.	Refer To:	Number 3 Shaft, 3rd and 4th Gear
4.	Refer To:	Number 4 Shaft, Idler
5.	Refer To:	Number 5 Shaft, 1st and 2nd Gear
6.	Refer To:	Number 6 Shaft, Brake and Sliding Gear
7.	Refer To:	Number 7 Shaft, Pinion and Final Drive
8.	Refer To:	Number 8 Shaft, Differential Assembly
9.	Refer To:	Number 9 Shaft, PTO Clutch Assembly
10.	Refer To:	Number 10 Shaft, PTO Drive Assembly
11.	Refer To:	Number 11, Forward-Reverse Clutch Assembly
12.	Refer To:	Number 12, Transmission Case Assembly
13.	Refer To:	Number 13, Transmission Cover Assembly
14.	18089P1	Pin, Dowel; 3/8 x 5/8
15.	18027P1	Gasket, Transmission Cover
16.	17929P1	Arm, Shifter
17.	17945P1	Arm, Shifter
18.	9421202	Pin, Spring; .187 x 1.0
19.	21141P1	Washer, Felt; (Special Trans.)
20.	17944P1	Arm, Shifter
21.	271089	Key, Woodruff; .125 x .375, Hard
22.	11135P1	Ring, Retaining
23.	11223P1	Race, Bearing Thrust; .752 x 1.240 x .030
24.	20444P1	Spring, Compression; 1.0 x .80 x 36 Lb/in
25.	18166P1	Roller, Clutch
26.	18167P1	Pin, Clutch
27.	18047P1	Plate, Clutch
28.	190171	Nut, Lock; 1/2-20 Washer Insert
29.	180126	Bolt, Hex; 3/8-16 x 1 1/2
30.	180132	Bolt, Hex; 3/8-16 x 2 1/4
31.	456004	Nut, Lock; 3/8-16 Washer Insert
32.	431787	Key, Woodruff; .187 x .625, Hard
33.	21061P1	Drum, Brake
34.	18162A1	Assembly, Band Brake
35.	18053P1	E-Ring
36.	18165P1	Bushing; .530 x .750 x 2.06
37.	120396	Washer, Flat; .531 x 1.06 x .095
38.	180188	Bolt, Hex; 1/2-13 x 2 3/4
39.	17926A1	Weldment, Shifter
40.	124549	Key, Woodruff; .187 x .750, Hard
41.	18019P1	Level, PTO
42.	11270P1	E-Ring

NUMBER 1 SHAFT, FORWARD CLUTCH



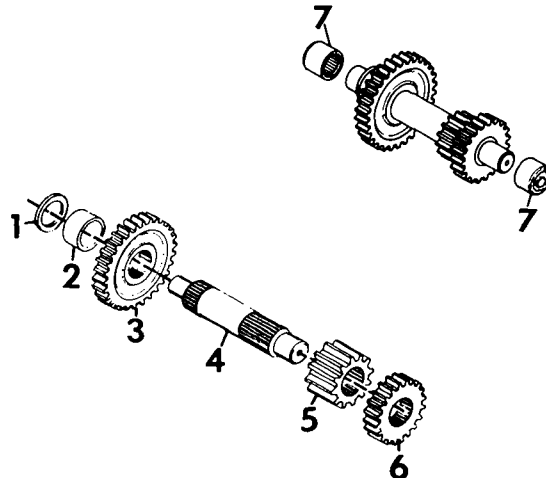
ITEM NO.	PART NO.	DESCRIPTION
1.	20447P1	Shaft, Splined Forward Clutch
2.	117989	Key, Woodruff; 3/16 x 1 1/4 Hard
3.	431787	Key, Woodruff; 3/16 x 5/8 Hard
4.	18025A1	Assembly, Gear and Bearing; #1 Shaft, Clutch Side
5.	17949P1	Bearing, Needle; .750 x 1.00 x .500
6.	11223P1	Race, Bearing Thrust; .752 x 1.240 x .030
7.	6741P1	Bearing, Needle Thrust; .752 x 1.240 x .078
8.	17926A1	Weldment, Shifter
9.	20755A1	Weldment, 2-Speed Shift Rail
10.	18011P1	Gear, Spur; 2 Speed, 10 DP, 36 Teeth x .750
11.	18007A1	Assembly, Gear and Bearing; 10 DP, 16 Teeth x 1.750
12.	18047P1	Plate, Clutch
13.	6742P1	Race, Bearing, Thrust; .752 x 1.240 x .060
14.	11135P1	Ring, Retaining
15.	18006P1	Gear, Bevel; 10 DP, 25 Teeth x .9025
16.	18003P1	Gear, Spur; 10 DP, 16 Teeth x .75 Standard
17.	14998P1	Race, Bearing Thrust; .752 x 1.240 x .090
18.	17913P1	Bearing, Needle; .750 x 1.00 x .750
19.	17925P1	Bushing, 2-Speed
20.	17929P1	Arm, Shifter
21.	21141P1	Washer, Felt; (Special Trans.)
22.	9421202	Pin, Spring; .187 x 1.00
23.	17919P1	Ring, Retaining
24.	18872P1	Ring, Retaining
25.	17915P1	Bearing, Ball; 1.968 x 1.3780 x .433
26.	17917P1	Seal, Oil; 2.250 x 3.005 x .375
27.	18024P1	Hub, Clutch
28.	18035P1	Seal, Oil; .750 x 1.625 x .250
29.		No. 1 Forward-Reverse Clutch Assembly
30.	190171	Nut, Lock; 1/2-20 Wash. Insert
31.	20444P1	Spring, Compression; .180 x 36 Lb/in
32.	18166P1	Roller, Clutch
33.	18167P1	Pin, Clutch
34.	18047P1	Plate, Clutch

NUMBER 2 SHAFT, REVERSE CLUTCH



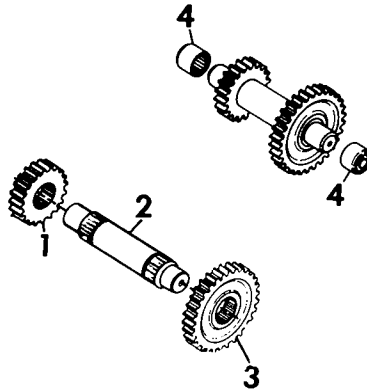
ITEM NO.	PART NO.	DESCRIPTION
1.	431787	Key, Woodruff; 3/16 x 5/8 Hard
2.	20448P1	Shaft, Splined Reverse Clutch
3.	11223P1	Race, Bearing Thrust; .752 x 1.240 x .030
4.	6741P1	Bearing, Needle Thrust; .752 x 1.240 x .078
5.	18020A1	Assembly, Idler Gear
6.	17949P1	Bearing, Needle; .750 x 1.00 x .500
7.	11135P1	Ring, Retaining
8.	6742P1	Race, Bearing Thrust; .752 x 1.240 x .060
9.	17947A1	Assembly, Reverse Gear and Bearing
10.	17913P1	Bearing, Needle; .750 x 1.00 x .750
11.	17919P1	Ring, Retaining
12.	18872P1	Ring, Retaining
13.	17915P1	Bearing, Ball; 1.968 x 3.149 x .629
14.	17917P1	Seal, Oil; 2.250 x 1.378 x .433
15.	18024P1	Hub, Clutch
16.	18035P1	Seal, Oil; .750 x 1.625 x .250
17.	190171	Nut, Lock; 1/2-20 Washer Insert
18.	18047P1	Plate, Clutch
19.	20444P1	Spring, Compression; 1.0 x .80 x 36 Lb/in
20.	18003P1	Gear, Spur; 10 DP, 16 Teeth x .750 Standard
21.		Number 11, Forward-Reverse Clutch Assembly
22.	18166P1	Roller, Clutch
23.	18167P1	Pin, Clutch

NUMBER 3 SHAFT, 3rd & 4th GEAR



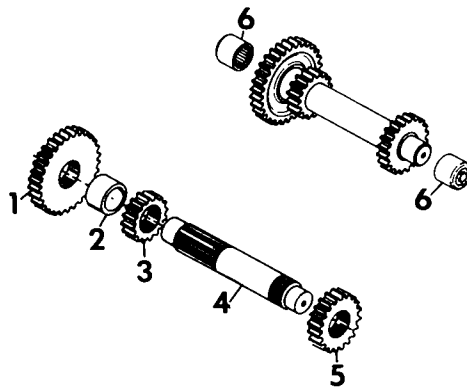
ITEM NO.	PART NO.	DESCRIPTION
1.	18000P1	Race, Bearing Thrust; .527 x .115 x .90
2.	17999P1	Spacer; .007 x 1.2 x .457
3.	19535P1	Gear, Spur; 10 DP, 36 Teeth x .500
4.	17997P1	Shaft, Splined
5.	17992P1	Gear, Spur; 10 DP, 16 Teeth x .750
6.	15118P1	Gear, Spur; 10 DP, 20 Teeth x .600
7.	17914P1	Bearing, Needle; .625 x .812 x .750

NUMBER 4 SHAFT, IDLER



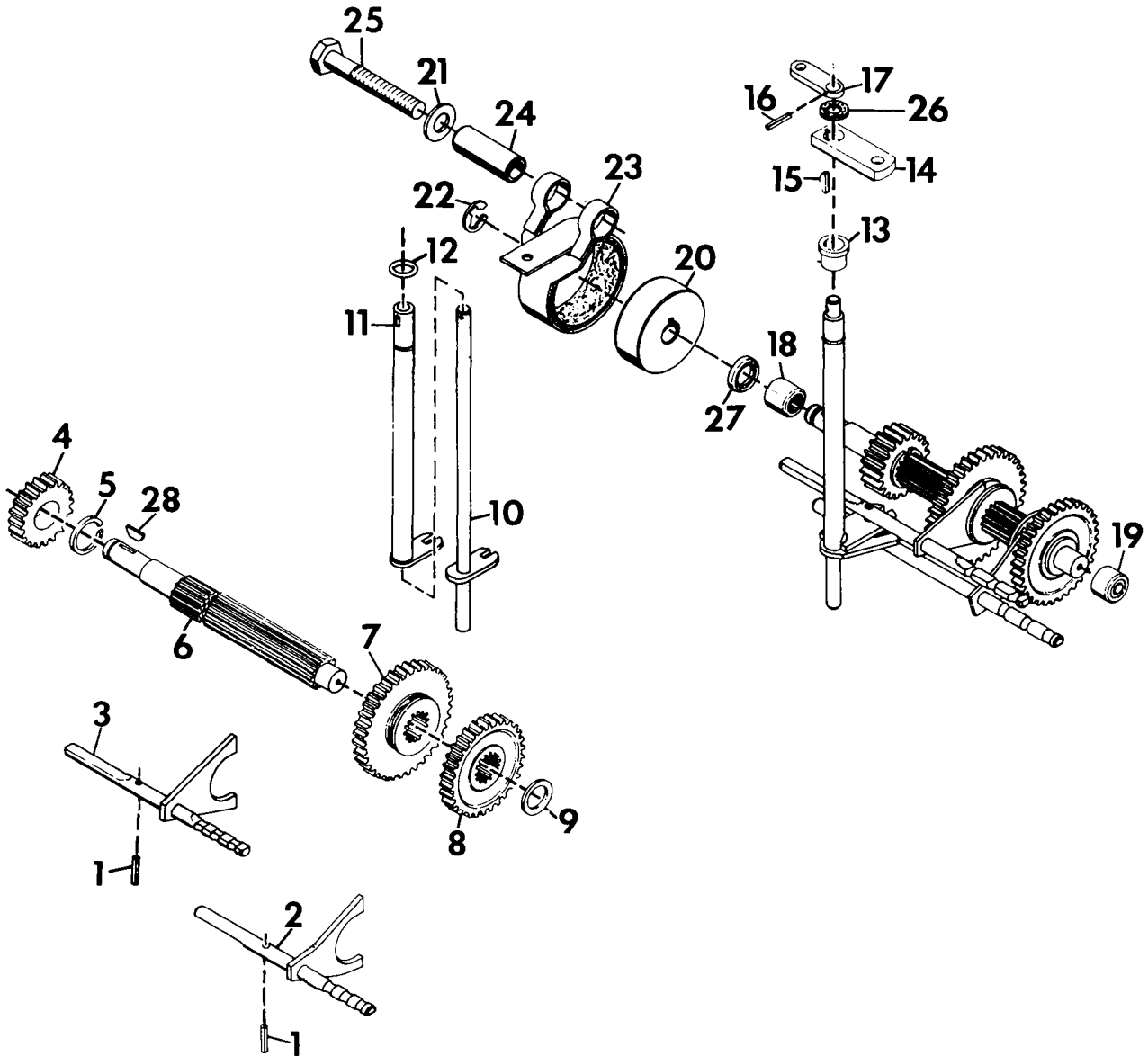
<u>ITEM NO.</u>	<u>PART NO.</u>	<u>DESCRIPTION</u>
1.	15118P1	Gear, Spur; 10 DP, 20 Teeth x .600
2.	17995P1	Shaft, Splined
3.	15115P1	Gear, Spur; 10 DP, 30 Teeth x .500
4.	17913P1	Bearing, Needle; .750 x 1.00 x .750

NUMBER 5 SHAFT, 1st & 2nd GEAR



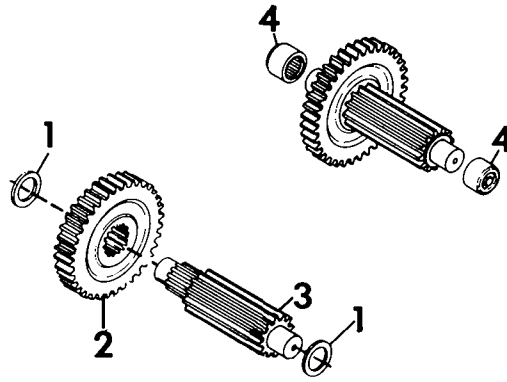
<u>ITEM NO.</u>	<u>PART NO.</u>	<u>DESCRIPTION</u>
1.	15115P1	Gear, Spur; 10 DP, 30 Teeth x .500
2.	17993P1	Spacer; 1.057 x 1.250 x .550
3.	17992P1	Gear, Spur; 10 DP, 16 Teeth x .750
4.	17989P1	Shaft, Splined
5.	15118P1	Gear, Spur; 10 DP, 20 Teeth x .600
6.	17913P1	Bearing, Needle; .750 x 1.00 x .750

NUMBER 6 SHAFT, BRAKE & SLIDING GEAR



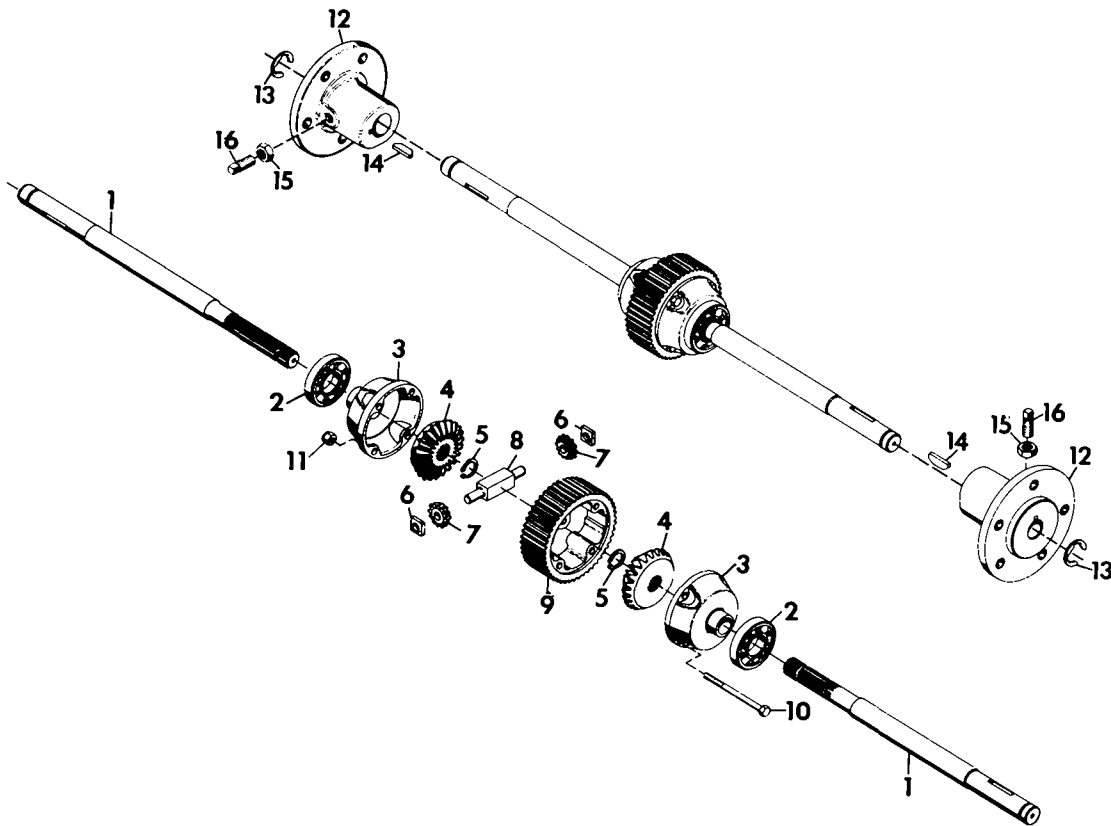
ITEM NO.	PART NO.	DESCRIPTION
1.	456390	Pin, Spring; .25 x .75
2.	20762A1	Weldment, Fork Rail Shift
3.	20761A1	Weldment, Fork Rail Shift
4.	14988P1	Gear, Spur; 8 DP, 16 Teeth x .850
5.	14987P1	Ring, Retaining
6.	17974P1	Shaft, Sliding Gear
7.	14995P1	Gear, Sliding; 10 DP, 30 Teeth x .594
8.	14989P1	Gear, Sliding; 10 DP, 36 Teeth x .594
9.	14998P1	Race, Bearing Thrust; .752 x 1.240 x .090
10.	17957A1	Weldment, Shifter
11.	17940A1	Weldment, Shifter
12.	18018P1	O-Ring; .625 x .750 x .062
13.	17943P1	Bushing
14.	17944P1	Arm, Shifter
15.	271089	Key, Woodruff; .125 x .375, Hard
16.	9421202	Pin, Spring; .187 x 1.00
17.	17945P1	Arm, Shifter
18.	11063P1	Bearing, Needle; .750 x 1.00 x .750
19.	17915P1	Bearing, Needle; .750 x 1.00 x .750
20.	21061P1	Drum, Brake
21.	120396	Washer, Flat; .551 x 1.06 x .095
22.	18053P1	E-Ring
23.	18162A1	Assembly, Band Brake
24.	18165P1	Bushing; .550 x .750 x 2.06
25.	180188	Bolt, Hex; 1/2" x 2.54
26.	21141P1	Washer, Flat; (Special Trans.)
27.	15137P1	Seal, Oil; .60 x 1.24 x .188
28.	451787	Key, Woodruff; .187 x .625, Hard

NUMBER 7 SHAFT, PINION & FINAL DRIVE



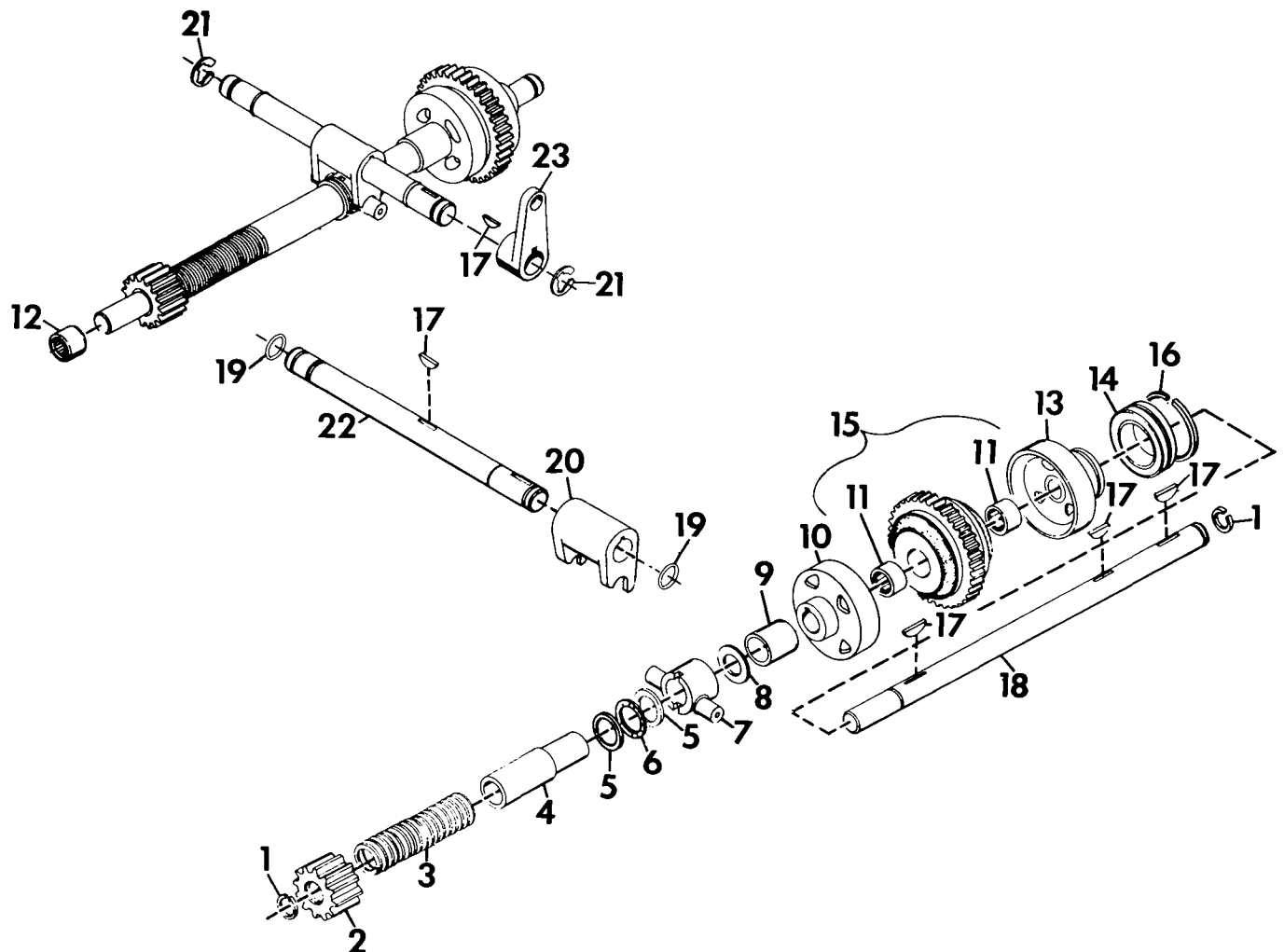
ITEM NO.	PART NO.	DESCRIPTION
1.	19340P1	Race, Bearing Thrust; 1.002 x 1.552 x .030
2.	17987P1	Gear, Spur; 8 DP, 30 Teeth x .750
3.	17986P1	Pinion, Final Drive
4.	17912P1	Bearing, Needle; 1.00 x 1.25 x .750

NUMBER 8 SHAFT, DIFFERENTIAL ASM.



ITEM NO.	PART NO.	DESCRIPTION
1.	19957P1	Axle, Bevel Gear Differential
2.	17984P1	Bearing, Ball; 1.578 x 2.834 x .669
3.	19956P1	Cap, Differential End
4.	19953P1	Gear, Bevel; 6/8 DP, 22 Teeth x .800
5.	17980P1	Ring, Retaining
6.	12667P1	Block, Drive
7.	19952P1	Pinion, Bevel
8.	19954P1	Pin, Spider Pinion
9.	19955P1	Gear, Final Drive; 6.125 DP, 49 Teeth x 1.5
10.	20513P1	Bolt, Hex; 5/16-18 x 2 1/2
11.	20514P1	Nut, Hex; 5/16-18
12.	18052P1	Housing, Differential
13.	18055P1	End Cap, Differential
14.	187184	Key, Woodruff; .25 x 2.12, Soft
15.	124829	Nut, Jamb; 3/8-16
16.	102897	Screw, Set; 3/8-16 x 1 1/4, SQ. HD. Cup Point

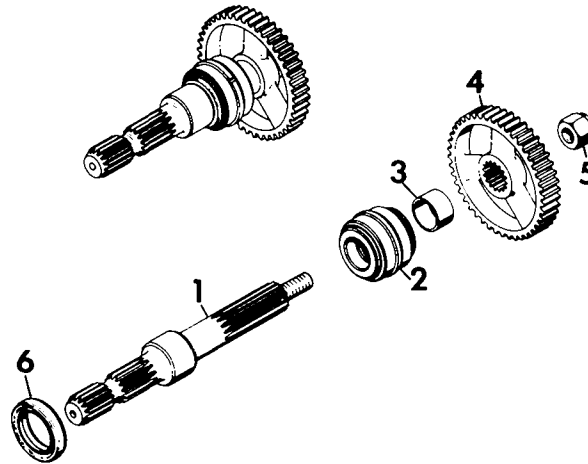
NUMBER 9 SHAFT, PTO CLUTCH ASSEMBLY



NUMBER 9 SHAFT, PTO CLUTCH ASSEMBLY

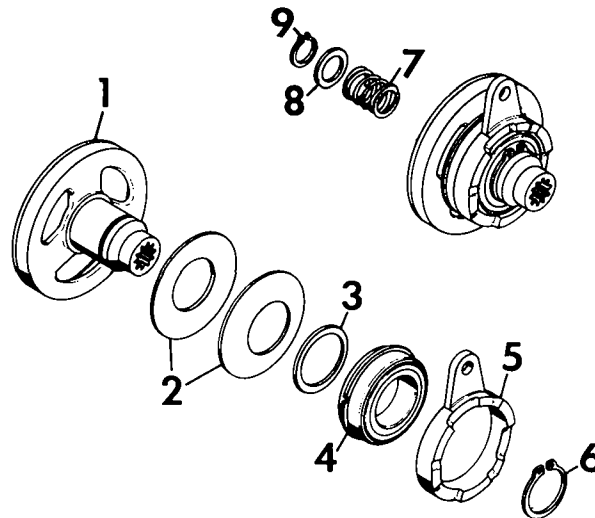
ITEM NO.	PART NO.	DESCRIPTION
1.	15733P1	Ring, Retaining
2.	17965P1	Gear, Spur PTO; 10 DP, 22 Teeth x 1.200 Standard
3.	17964P1	Spring, Compression; 5.0 x 1.50 x 200 Lb/in
4.	17963P1	Throw-Out, PTO
5.	17959P1	Race, Bearing Thrust; 1.002 x 1.552 x .090
6.	11225P1	Bearing, Needle Thrust; 1.002 x 1.552 x .078
7.	17960A1	Assembly, Shifting Collar
8.	14998P1	Race, Bearing Thrust; .752 x 1.240 x .090
9.	17958P1	Spacer, PTO
10.	17957P1	Cup, Clutch
11.	17949P1	Bearing, Needle; .750 x 1.000 x .500
12.	9660P1	Bearing, Needle; .750 x 1.000 x .500
13.	17952P1	Cup, Clutch
14.	17967P1	Bearing, Ball; 1.378 x 2.440 x .551
15.	17953A1	Assembly, Clutch Cone Bearing
16.	17966P1	Ring, Retaining; 1.375
17.	124549	Key, Woodruff; .187 x .750, Hard
18.	17951P1	Shaft, PTO Clutch
19.	18018P1	O-Ring; .625 x .750 x .062
20.	18016P1	Yoke, PTO
21.	11270P1	E-Ring
22.	18017P1	Shaft, PTO Yoke
23.	18019P1	Lever, PTO

NUMBER 10 SHAFT, PTO DRIVE ASSEMBLY



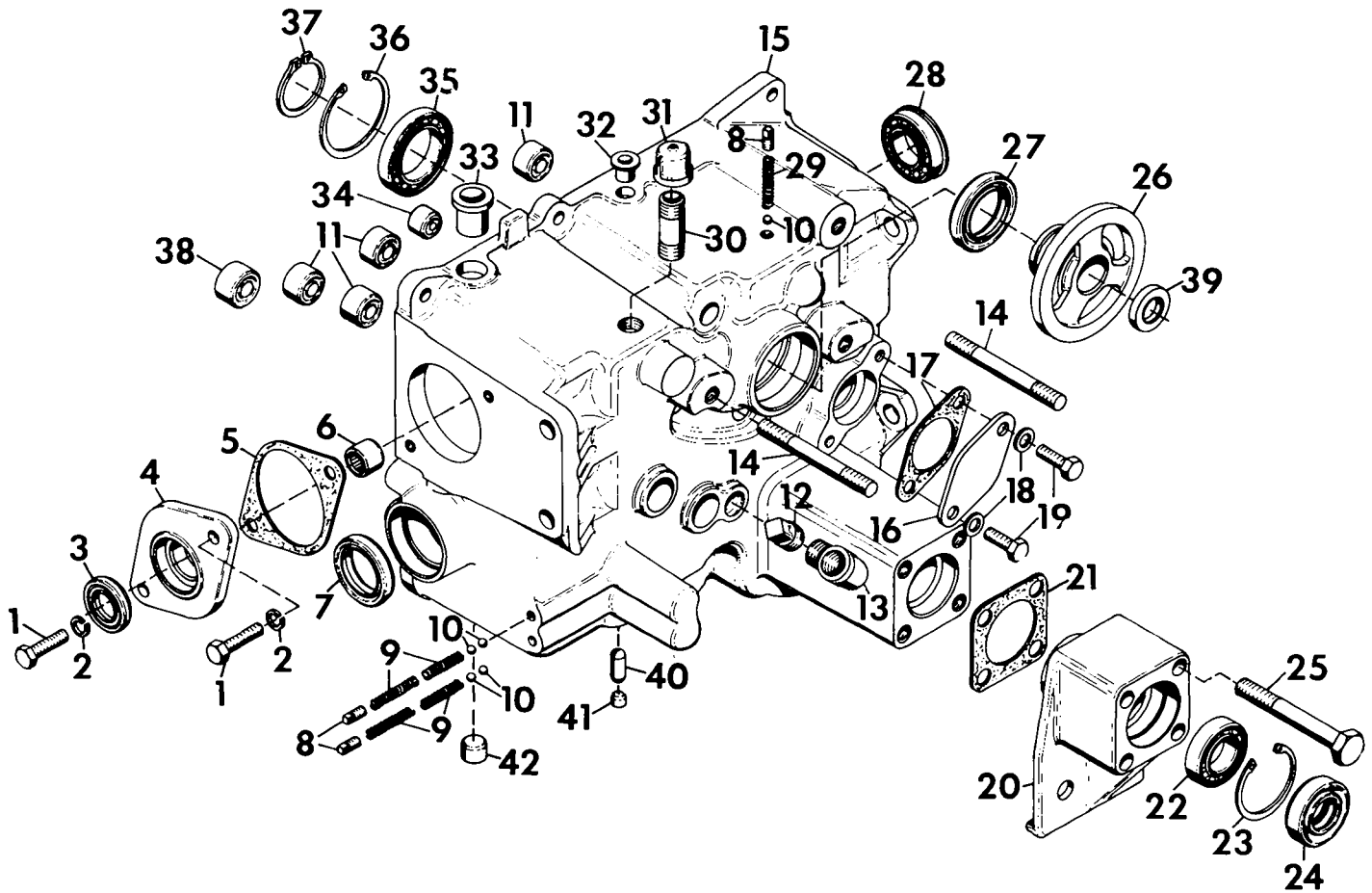
<u>ITEM NO.</u>	<u>PART NO.</u>	<u>DESCRIPTION</u>
1.	19538P1	Shaft, PTO
2.	14640A1	Assembly, Bearing; 1.000 x 1.980 x 1.243
3.	17924P1	Spacer; 1.060 x 1.250 x .450
4.	17922P1	Gear, Spur PTO; 10 DP, 56 Teeth x .750 Standard
5.	9414075	Nut, Lock; 5/8-11, Type N
6.	17923P1	Seal, Oil; 1.375 x 2.129 x .312

NUMBER 11, FORWARD - REVERSE CLUTCH ASSEMBLY



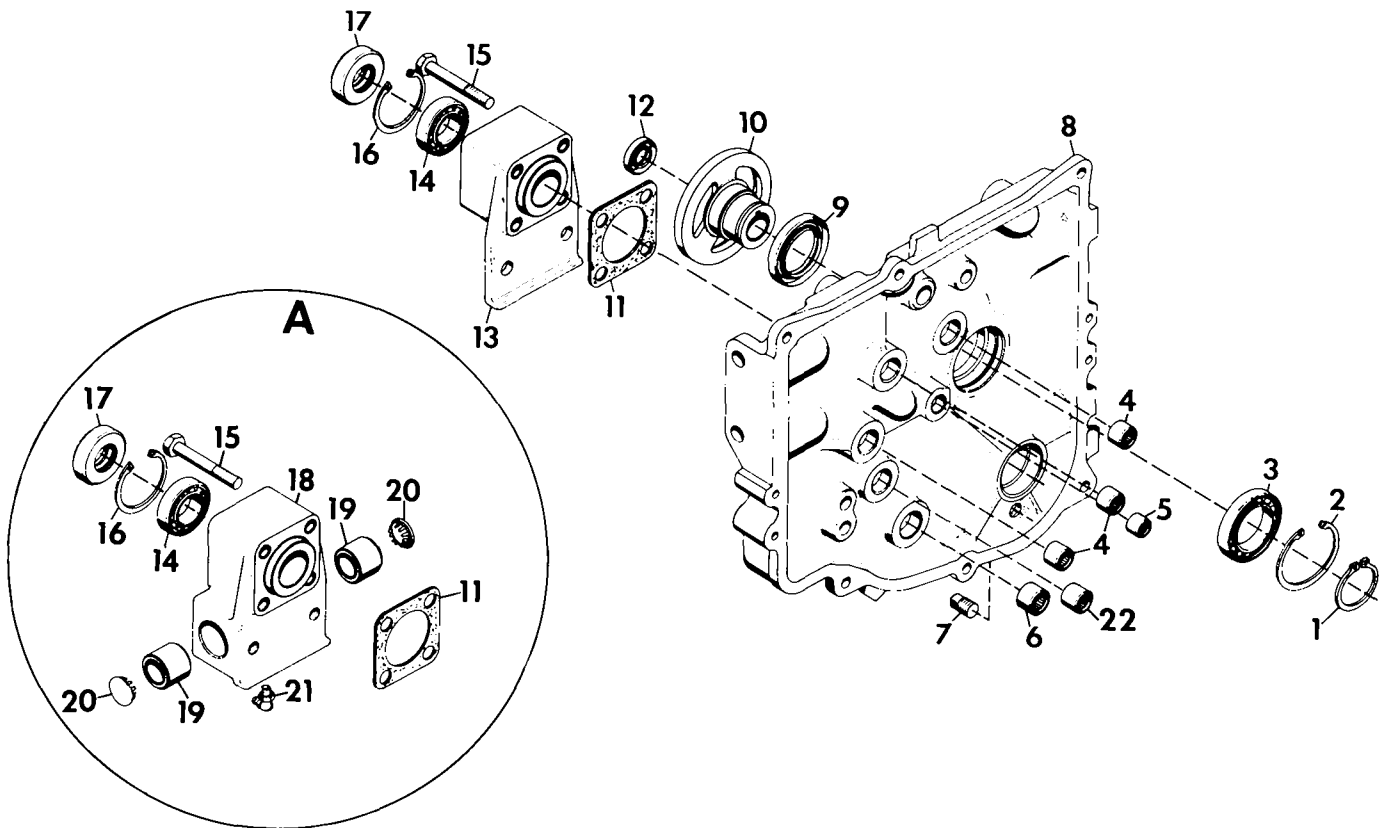
<u>ITEM NO.</u>	<u>PART NO.</u>	<u>DESCRIPTION</u>
1.	20449A1	Assembly, Clutch Disc
2.	18041P1	Spring, Belleville
3.	18548P1	Shim, FWD-REV Clutch; .030 Thick
4.	18042P1	Bearing, Ball; 1.574 x 3.149 x .708
5.	19063P1	Cam, Clutch
6.	18043P1	Ring, Retaining
7.	20444P1	Spring, Compression; 1.0 x .80 x .56 .64in
8.	11223P1	Shim, Retaining; 1.752 x 1.240 x .030
9.	11135P1	Shim, Retaining

NUMBER 12, TRANSMISSION CASE ASSEMBLY



ITEM NO.	PART NO.	DESCRIPTION
1.	180079	Bolt, Hex; 5/16-18 x 1
2.	120214	Washer, Lock; 5/16 SP
3.	17973P1	Seal, Oil; .750 x 1.254 x .250
4.	18859P1	Cap, Front PFO
5.	18857P1	Gasket, Front Cap
6.	9660P1	Bearing, Needle; .750 x 1.00 x .500
7.	14640A1	Assembly, Bearing; 1.000 x 1.980 x 1.243
8.	103877	Plug, Pipe; 1/8 in. SQ. HD. Steel
9.	17936P1	Spring, Compression; 1.50 x .30 x 26 Lb/in
10.	274301	Ball, Steel; 5/16
11.	17913P1	Bearing, Needle; .750 x 1.0 x .750
12.	103880	Plug, Pipe; 1/2 in. SQ. HD. Steel
13.	108686	Elbow; 1/2, 90°, Street
14.	18036P1	Stud
15.	17911P1	Case, Transmission
16.	18421P1	Plate, Cover
17.	18422P1	Gasket, Cover Plate
18.	120394	Washer, Flat; .40 x .81 x .06
19.	180120	Bolt, Hex; 3/8-16 x 3/4
20.	18810P1	Retainer, Axle Bearing L.H.
21.	18030P1	Gasket
22.	18029P1	Bearing, Ball; 1.250 x 2.250 x .500
23.	18812P1	Ring, Retaining
24.	18031P1	Seal, Oil Axle; 1.250 x 2.254 x .500
25.	180191	Bolt, Hex; 1/2-13 x 3 1/4
26.	18024P1	Hub, Clutch
27.	17917P1	Seal, Oil; 2.250 x 1.378 x .433
28.	17967P1	Bearing, Ball; 1.378 x 2.440 x .551
29.	18015P1	Spring, Compression; 1.25 x .30 x 16 Lb/in
30.	121664	Nipple, Pipe; 1/2 x 2.50
31.	19472P1	Cap, Pipe; 1/2 NPT
32.	17925P1	Bushing, 2-Speed
33.	17943P1	Bushing
34.	17914P1	Bearing, Needle; .62 x .81 x .75
35.	17915P1	Bearing, Ball; 1.968 x 3.149 x .629
36.	18872P1	Ring, Retaining
37.	17919P1	Ring, Retaining
38.	17912P1	Bearing, Needle; 1.0 x 1.25 x .75
39.	18035P1	Seal, Oil; .750 x 1.625 x .250
40.	18200P1	Pin, In Lock
41.	9421743	Plug, Cap; 3/8
42.	17946P1	Plug

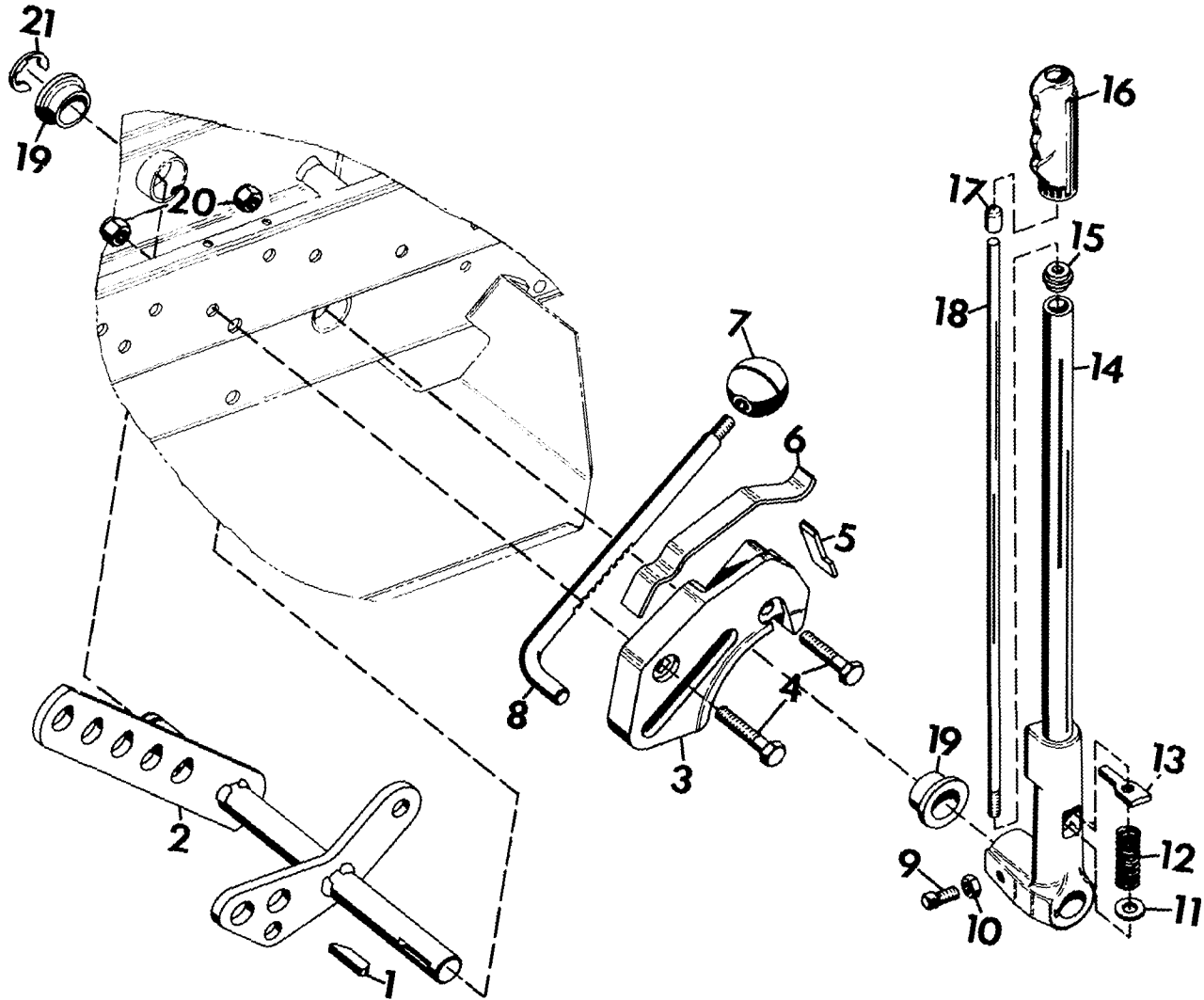
NUMBER 13, TRANSMISSION COVER ASSEMBLY



ITEM NO.	PART NO.	DESCRIPTION
1.	17919P1	Ring, Retaining
2.	18872P1	Ring, Retaining
3.	17915P1	Bearing, Ball; 1.968 x 1.378 x .433
4.	17913P1	Bearing, Needle; .750 x 1.00 x .750
5.	17914P1	Bearing, Needle; .62 x .81 x .75
6.	17912P1	Bearing, Needle; 1.0 x 1.25 x .75
7.	103879	Plug, Pipe; 3/8 in. SQ. HD. Steel
8.	18023P1	Cover, Transmission
9.	17917P1	Seal, Oil; 2.250 x 1.378 x .433
10.	18024P1	Hub, Clutch
11.	18030P1	Gasket
12.	18035P1	Seal, Oil; .750 x 1.625 x .250
13.	18810P1	Retainer, Axle Bearing L.H.
14.	18029P1	Bearing, Ball; 1.250 x 2.250 x .500
15.	180191	Bolt, Hex; 1/2-13 x 3 1/4
16.	18812P1	Ring, Retaining
17.	18031P1	Seal, Oil Axle; 1.250 x 2.254 x .500
18.	18811P1	Retainer, Axle Bearing R.H.
19.	18977P1	Bearing; 1.003 x 1.379
20.	15872P1	Cap
21.	9411032	Fitting, Lube; 1/4-28, 90° Elbow
22.	11063P1	Bearing, Needle; .75 x 1.00 x .75

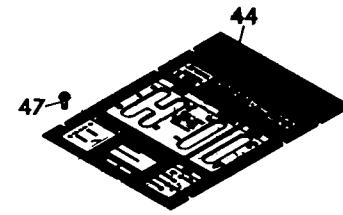
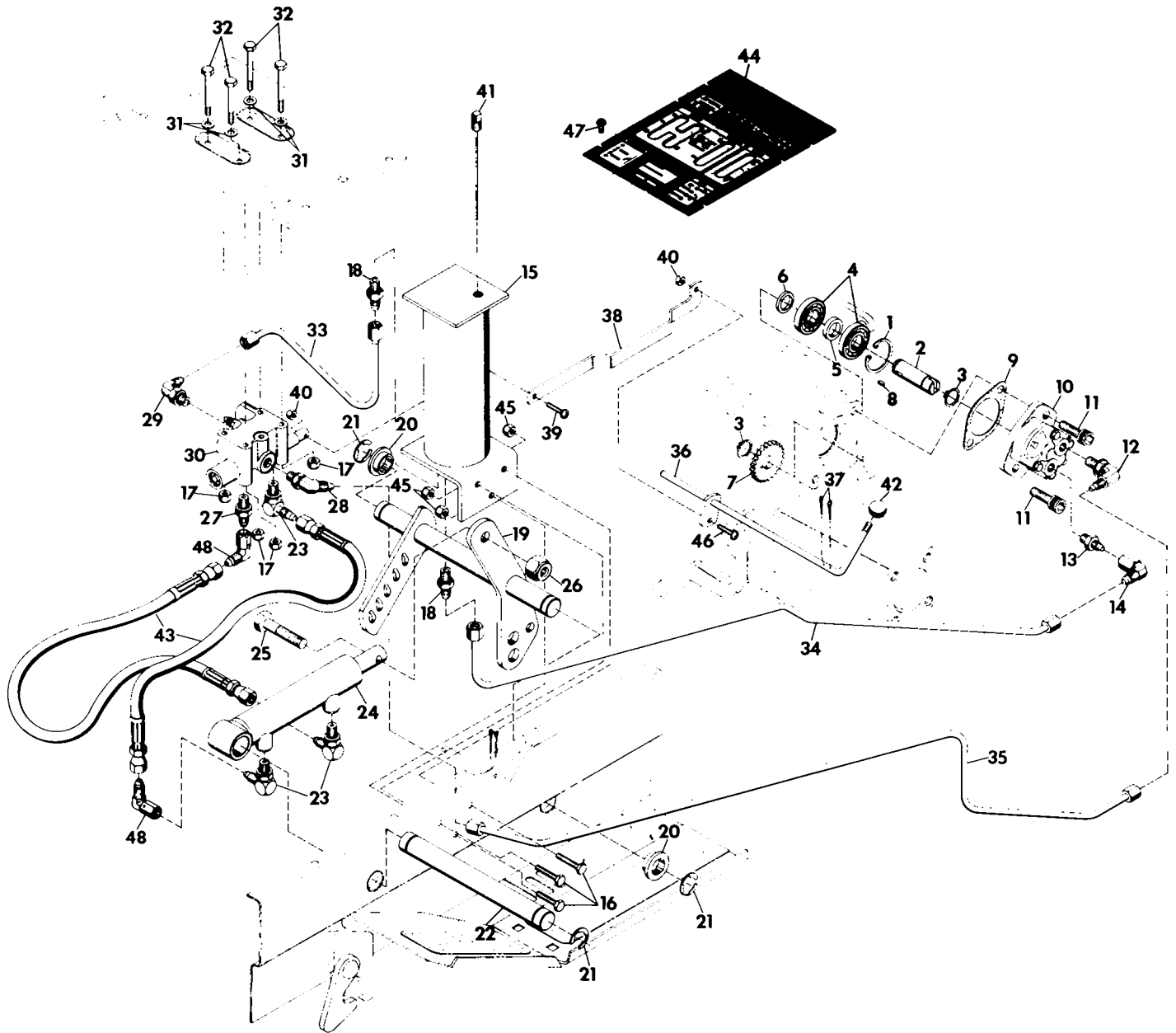
(NOTE: CIRCLE "A" PERTAINS TO THE 816 TRACTOR ONLY)

MANUAL LIFT CONTROLS



ITEM NO.	PART NO.	DESCRIPTION
1.	187184	Key, Woodruff; 1/4 x 2 1/8, Soft
2.	18404A1	Weldment, Lift Lever Shaft
3.	11103P1	Casting, Locator
4.	183124	Bolt, Hex; 3/8-16 x 1 1/4
5.	11106P1	Stop, Lever
6.	111C5P1	Spring, Stop
7.	11297P1	Knob, Shift Lever
8.	18732P1	Rod, Lever Stop
9.	102896	Screw, Set; 3/8-16 x 1 SQ. HD.
10.	124829	Nut, Jamb; 3/8-16 Hex
11.	11670P1	Washer, Special Flat; .45 x .99 x .10
12.	10662P1	Spring, Compression; 2.0 x .72 x 15.5 Lb/in
13.	11116P1	Pawl, Lever
14.	19113A1	Assembly, Lift Lever
15.	11117P1	Guide, Push Rod
16.	11119P1	Grip, Flex
17.	19367P1	Tip, Push Rod
18.	11118P1	Rod, Lever Push
19.	11211P1	Bushing, Pivot
20.	456C04	Nut, Lock; 3/8-16
21.	11112P1	Washer Insert

HYDRAULIC SYSTEM



47-8

20

21

22

23

24

25

26

27

28

29

30

31

32

33

34

35

36

37

38

39

40

41

42

43

44

45

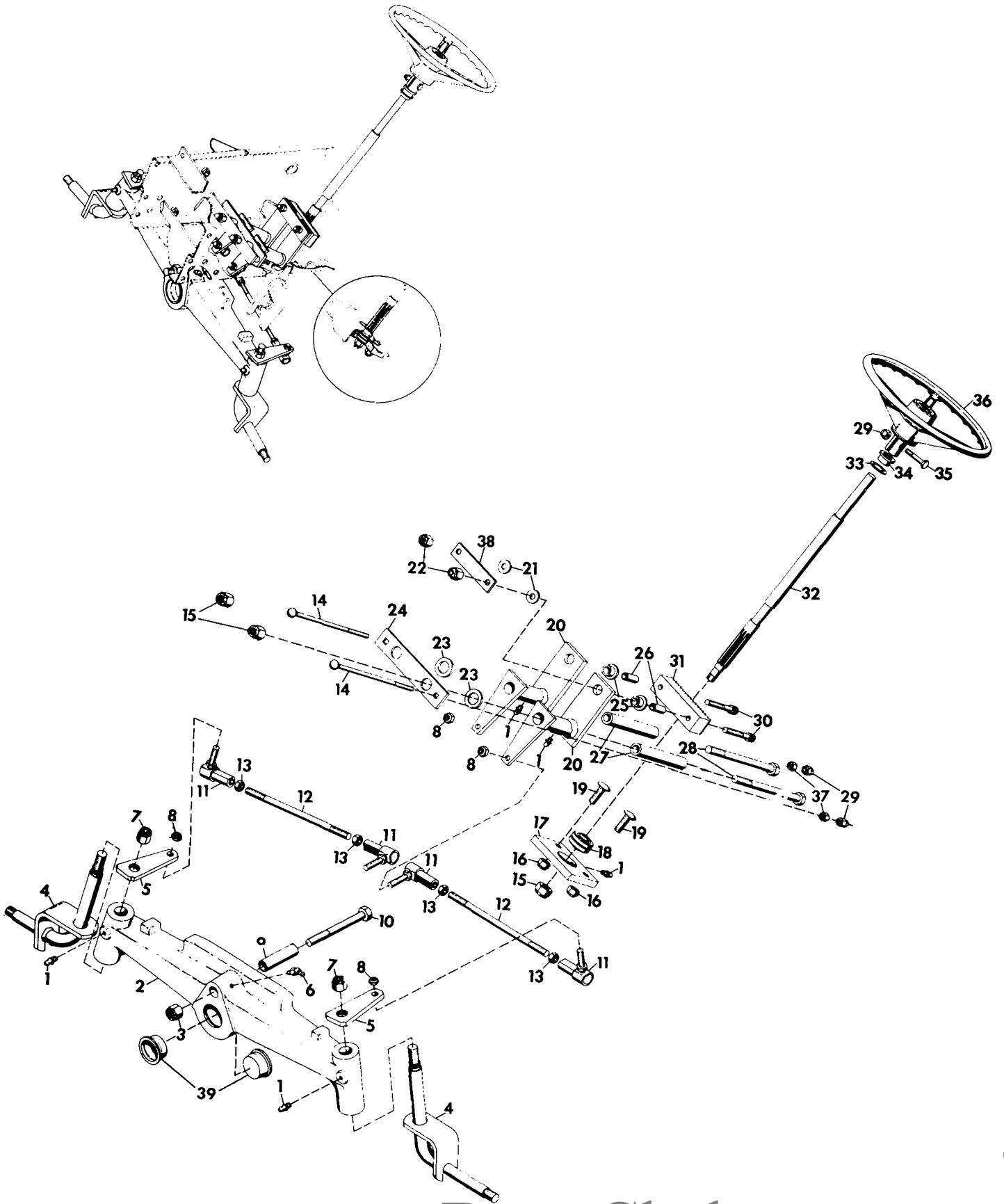
46

47-8

48

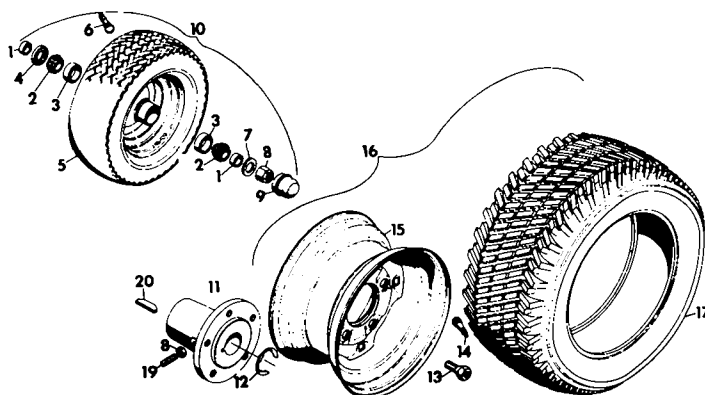
<u>ITEM NO.</u>	<u>PART NO.</u>	<u>DESCRIPTION</u>
1.	18799P1	Ring, Retaining
2.	18797F1	Shaft, Hyd. Pump
3.	18809P1	Ring, Retaining
4.	12626P1	Bearing, Ball; .590 x 1.378 x .433
5.	18807P1	Spacer; .620 x .750 x .588
6.	18798P1	Spacer; .620 x .750 x .364
7.	18808P1	Gear, Hyd. Pump
8.	271089	Key, Woodruff; 1/8 x 3/8, Hard
9.	18422P1	Gasket, Cover Plate
10.	18813P1	Pump, Hydraulic
11.	426370	Screw, Cap 3/8-16 x 1, Hex Socket HD.
12.	18815P1	Adapter, Hyd.; 3/4-16 STR.TH.D., 90° Elbow w/O-Ring
13.	18817P1	Adapter, Hyd.; 7/8-14 W/O-Ring, 9/16-14, STR.
14.	18818P1	Adapter, Hyd.; 9/16-18, Swivel 90° Elbow
15.	19161A1	Weldment, Hyd. Tank
16.	180122	Bolt, Hex; 3/8-16 x 1
17.	9419454	Nut, Lock; 1/4-20, Washer Insert
18.	19167P1	Adapter, Hyd.; 9/16-18 STR. TH.D. W/O-Ring
19.	18822A1	Weldment, Lift Lever Shaft
20.	11111P1	Bushing, Pivot
21.	11112P1	E-Ring
22.	18830P1	Shaft, Hyd. Cyl.
23.	18826P1	Adapter, Hyd.; 7/16-20 STR. TH.D., 90° Elbow W/O-Ring
24.	19471P1	Cylinder, Hydraulic
25.	180181	Bolt, Hex; 1/2-13 x 2
26.	435507	Nut, Lock; 1/2-13, Washer Insert
27.	21286P1	Adapter, Hyd.; 7/16-20 STR. TH.D. W/O-Ring
28.	18829P1	Adapter, Hyd.; 9/16-18 STR. TH.D. W/O-Ring, 45° Elbow
29.	18828P1	Adapter, Hyd.; 9/16-18 STR. TH.D. W/O-Ring, 90° Elbow
30.	18825P1	Valve, Hydraulic
31.	120392	Washer, Flat; 9/32 x 5/8 x .065
32.	180050	Bolt, Hex; 1/4-20 x 2 3/4
33.	19165P1	Line, Return; Valve To Tank
34.	19166P1	Line, Hyd.; (In) Tank To Pump
35.	18843P1	Line, Hyd.; (Out) Valve to Pump
36.	18833A1	Weldment, Hyd. Valve Rod
37.	171224	Pin, Cotter; 3/32 x 1
38.	18836P1	Rod, Hyd. Control
39.	132848	Screw, Machine; 10-24 x 1 Pan HD C-Recess
40.	190254	Nut, Lock; 10-24, Washer Insert
41.	19413A1	Stick, Hyd. Tank Dip
42.	11251P1	Knob, Adjusting Control
43.	18845P1	Hose, Hyd.; 14.5 in Long
44.	20955P1	Plate, Hydraulic Control Cover
45.	456004	Nut, Lock; 3/8-16, Washer Insert
46.	120910	Screw, Machine; 10-24 x 3/4, Pan HD. C-Recess
47.	167257	Screw, Self Tapping; 1/4-20 x 1/2 Pan HD., C-Recess
48.	21287P1	Adapter, Hyd.; 7/16-20 STR. TH.D., Swivel 90° Elbow

STEERING ASSEMBLY



ITEM NO.	PART NO.	DESCRIPTION
1.	9411027	Fitting, Lube; 1/4-28
2.	18652P1	Axle, Steering
3.	456007	Nut, Lock; 3/4-10, Washer Insert
4.	18463A1	Weldment, King Pin
5.	18461P1	Arm, Tie Rod
6.	9411031	Fitting, Lube; 1/4-28, 45 Deg. Elbow
7.	9414075	Nut, Lock; 5/8-11, Type N
8.	192481	Nut, Lock; 3/8-24, Washer Insert
9.	19864P1	Tube, Axle Pivot
10.	271781	Bolt, Hex; 3/4-10 x 4 1/2
11.	21084P1	Ball Joint, Steering
12.	21085P1	Rod, Steering Tie
13.	120369	Nut, Hex; 3/8-24
14.	126952	Bolt, 5/16-18 x 5 1/2, RD. HD. SQ. Neck
15.	435507	Nut, Lock; 1/2-13, Washer Insert
16.	9419456	Nut, Lock; 7/16-14, Washer Insert
17.	21148P1	Block, Bearing Support
18.	21147P1	Bearing, Spherical
19.	21146P1	Bolt, Bearing
20.	21071A1	Weldment, Steering Arm
21.	446470	Washer, Flat; 3/8 x 1 1/8 x .065
22.	456004	Nut, Lock; 3/8-16, Washer Insert
23.	14998P1	Race, Bearing Thrust; .752 x 1.240 x .092
24.	21079P1	Plate, Adjustment
25.	21077P1	Bearing, Flange; P/M Bronze
26.	21076P1	Bushing, Rack
27.	21078P1	Sleeve, Pivot
28.	443734	Bolt, Hex; 1/2-13 x 6
29.	9419455	Nut, Lock; 5/16-18, Washer Insert
30.	454473	Screw, Cap; 3/8-16 x 2, Hex Socket HD.
31.	21075P1	Gear, Rack
32.	21081P1	Column, Steering
33.	20273P1	Ring, Retaining; Internal Tooth
34.	10174P1	Bushing
35.	180082	Bolt, Hex; 5/16-18 x 1 3/8
36.	19448P1	Wheel, Steering
37.	120376	Nut, Hex; 5/16-18
38.	21246P1	Strap, Rack and Pinion
39.	18785P1	Cap, Front Axle

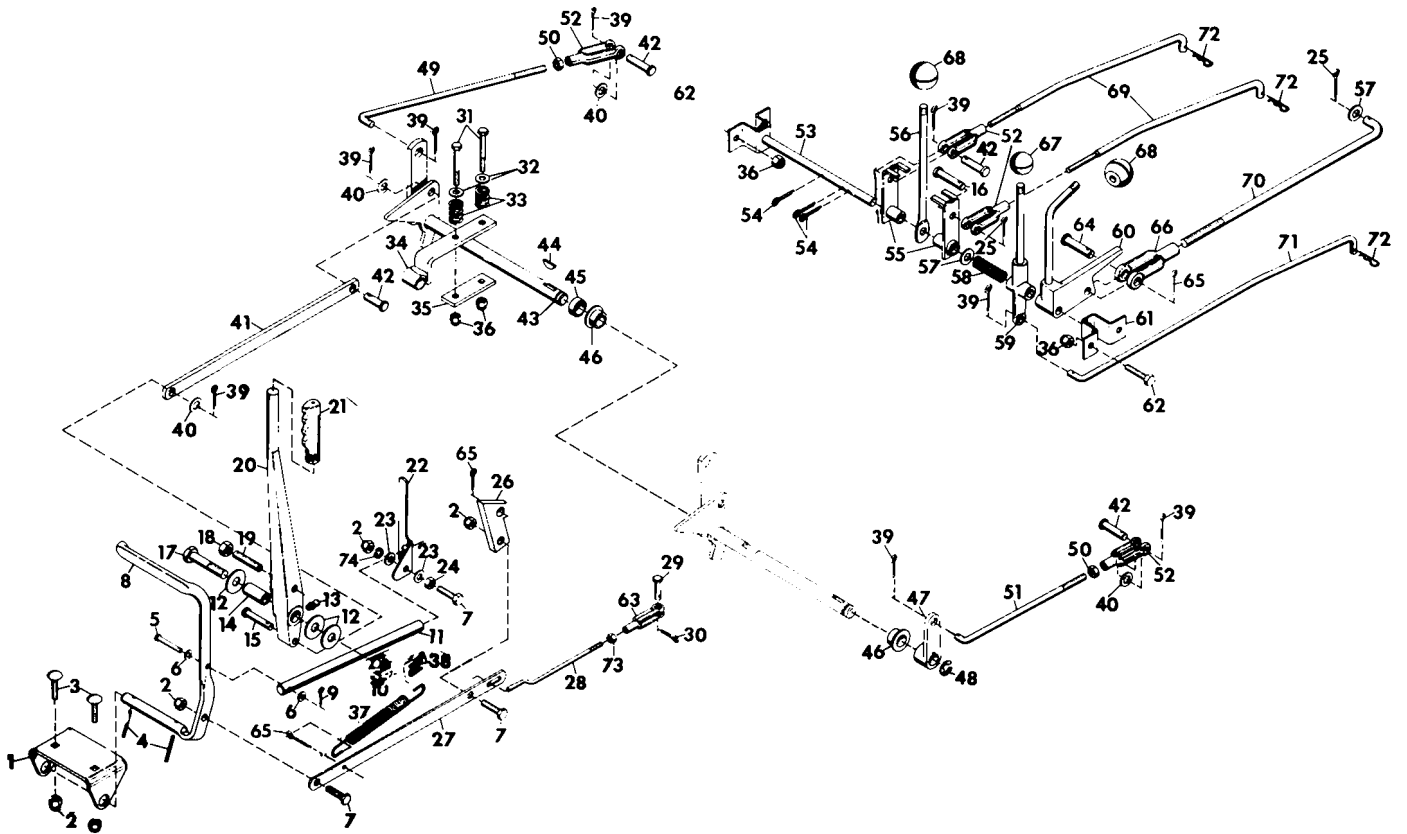
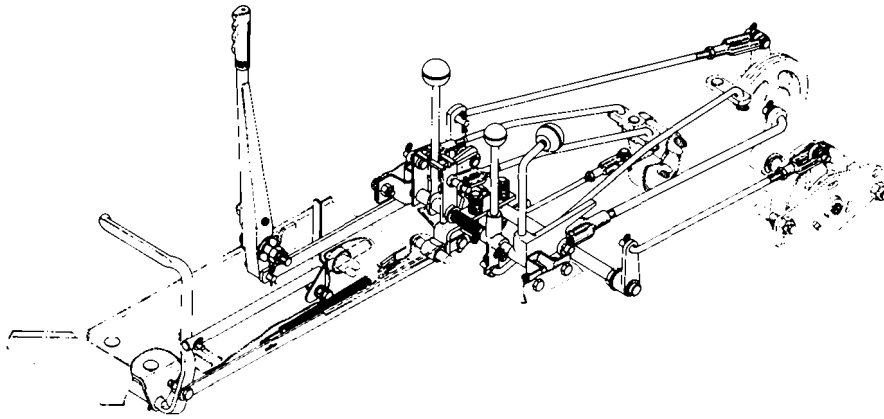
FRONT & REAR WHEEL ASM.



FRONT & REAR WHEEL ASSEMBLIES

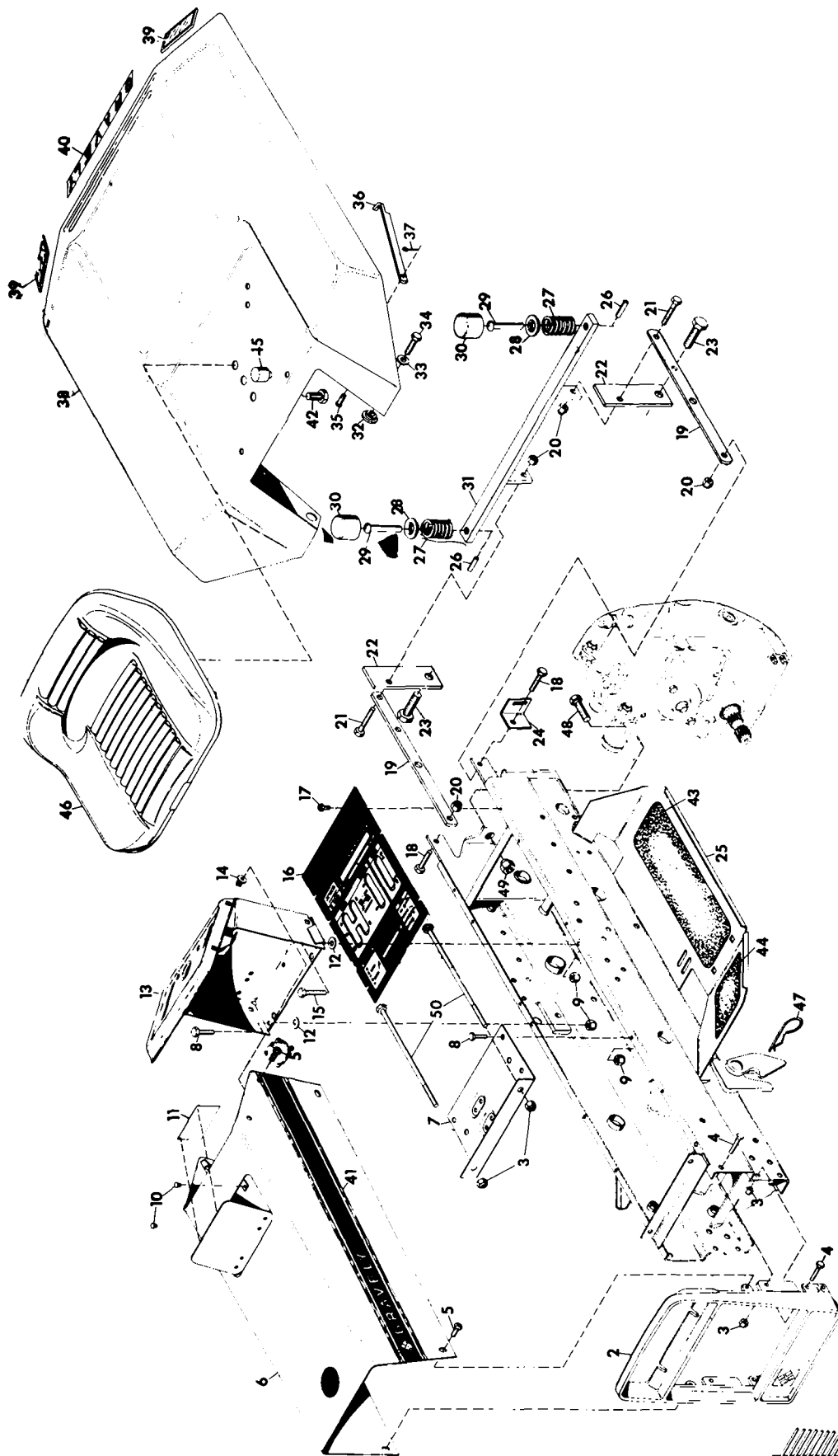
ITEM NO.	PART NO.	DESCRIPTION
1.	18448P1	Spacer
2.	18446P1	Bearing, Cone
3.	18445P1	Bearing, Cup
4.	18447P1	Seal
5.	11190P1	Tire, Front; 16 x 6.50-8
6.	11191A1	Assembly, Valve Stem
7.	131016	Washer, Flat; 21/32 x 15/16 x .095
8.	9418692	Nut, Lock; 5/8-11 Washer Insert
9.	18449P1	Cap
10.	18442A1	Assembly, Front Wheel
11.	18052P1	Hub, Wheel
12.	18055P1	E-Ring
13.	12744P1	Bolts, Hub; 7/16-20 x 3/4, (Special)
14.	11191A1	Assembly, Valve Stem
15.	11195A1	Weldment, Rim
16.	11705A1	Assembly, Rear Wheel
17.	11194P1	Tire, Rear; 23 x 8.50-12
18.	124829	Nut, Jamb; 3/8-16 Hex
19.	102897	Screw, Set; 3/8-16 x 1 1/4 SQ. HD. Cup Point
20.	187184	Key, Woodruff; 1/4 x 2 1/8, Soft

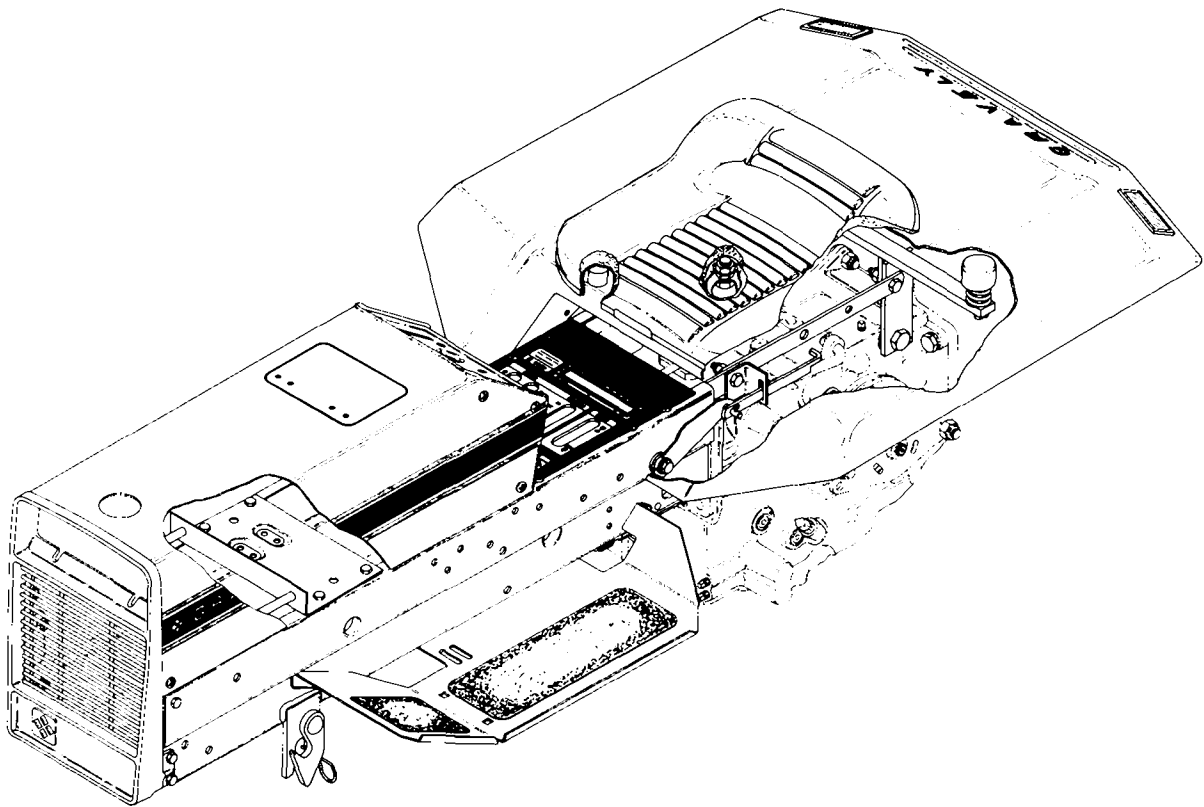
TRANSMISSION & BRAKE CONTROLS



ITEM NO.	PART NO.	DESCRIPTION
1.	11021P1	Bracket, Brake Pedal
2.	456004	Nut, Lock; 3/8-16, Washer Insert
3.	126227	Bolt; 3/8-16 x 3/4, RD. HD. SQ. Neck
4.	454668	Pin, Spring; 3/16 x 1 1/4, CAD.
5.	9417923	Pin, Clevis; 1/4 x 1.5
6.	446179	Washer, Flat; 1/4 x 1/2 x .049
7.	180124	Bolt, Hex; 3/8-16 x 1 1/4
8.	11009P1	Pedal, R.H. Brake
9.	121223	Pin, Cotter; 1/16 x .75
10.	435507	Nut, Lock; 1/2-13, Washer Insert
11.	20773P1	Rod, Parking Brake
12.	120390	Washer, Flat; 9/16 x 1 3/8 x .109
13.	9411027	Fitting, Lube; 1/4-28
14.	11074P1	Bushing, FWD-REV Lever; .505 x .749 x 1.438
15.	9415571	Pin, Clevis; 3/8 x 1.531
16.	10672P1	Pin, Clevis; 3/8 x 1.250
17.	180188	Bolt, Hex; 1/2-13 x 2 3/4
18.	120238	Nut, Jamb; 1/2-13
19.	102623	Screw, Set; 1/2-13 x 2, Cup PT.
20.	19062P1	Lever, FWD-REV
21.	11078P1	Grip, FWD-REV Lever
22.	20772P1	Bracket, Parking Brake
23.	20775P1	Washer, Nylon
24.	124829	Nut, Jamb; 3/8-16
25.	179128	Pin, Cotter; 1/4 x 1
26.	18381P1	Cam, Brake
27.	21131P1	Link, Front
28.	21132P1	Link, Rear
29.	138083	Pin, Clevis; 1/4 x .766
30.	9423302	Pin, Cotter; 5/64 x 5/8
31.	180091	Bolt, Hex; 5/16-18 x 2 1/2
32.	120393	Washer, Flat; 11/32 x 11/16 x .065
33.	11779P1	Spring, Compression; 1 x .78 x 338 Lb/in
34.	18396A1	Weldment, Clutch Shaft Bracket
35.	18464P1	Plate
36.	9419455	Nut, Lock; 5/16-18, Washer Insert
37.	11263P1	Spring, Extension; 5.5 x .50 x 20 Lb/in
38.	11329P1	Spring, Clip
39.	121222	Pin, Cotter; 3/32 x .75
40.	120394	Washer, Flat; 13/32 x 13/16 x .065
41.	18403P1	Link, FWD-REV Shifter
42.	138078	Pin, Clevis; 3/8 x .948
43.	18390A1	Weldment, Clutch Shaft
44.	124552	Key, Woodruff; 3/16 x 1, Hard
45.	18485P1	Spacer, Clutch Shaft; .760 x 1.00 x .540
46.	10174P1	Bushing, Control Shaft
47.	18395P1	Arm, Rev Clutch
48.	11270P1	E-Ring
49.	18400P1	Rod, FWD. Clutch
50.	124925	Nut, Jamb; 3/8-24
51.	18401P1	Rod, REV Clutch
52.	18380P1	Clevis, Adjustable; 3/8-24
53.	18365A1	Weldment, Cross Shaft
54.	137185	Pin, Cotter; 1/8 x 1
55.	18368A1	Weldment, Shifter Arm
56.	18371P1	Lever, Shifter
57.	120396	Washer, Flat; 17/32 x 1 1/16 x .095
58.	18372P1	Spring, Compression; 2 3/4 x .625 x 34 Lb/in
59.	18373A1	Assembly, 2-Speed Control
60.	20662A1	Assembly, PTO Control
61.	11096P1	Bracket, Cross Shaft
62.	180077	Bolt, Hex; 5/16-18 x 3/4
63.	104036	Clevis, Adjustable; 1/4-28
64.	138086	Pin, Clevis; 1/2 x 1.213
65.	177923	Pin, Cotter; 1/8 x 3/4
66.	18387P1	Clevis, Adjustable; 1/2-20
67.	10670P1	Knob, 2-Speed Control
68.	11297P1	Knob, Shift Lever
69.	18389P1	Rod, Shifting
70.	18386P1	Rod, PTO
71.	18388P1	Rod, 2-Speed
72.	11860P1	Cotter, Hair Pin
73.	120367	Nut, Hex; 1/4-28
74.	120382	Washer, Lock; 3/8 SP

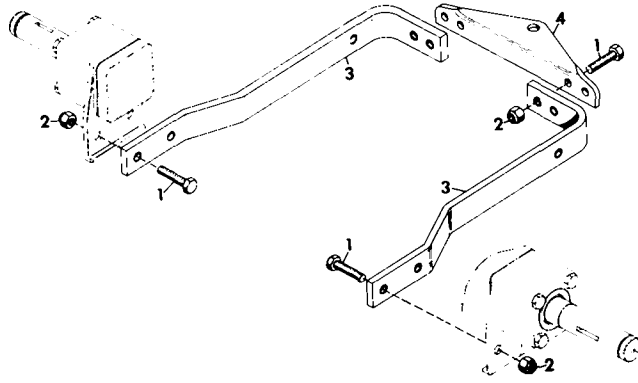
TRACTOR FRAME ASSEMBLY





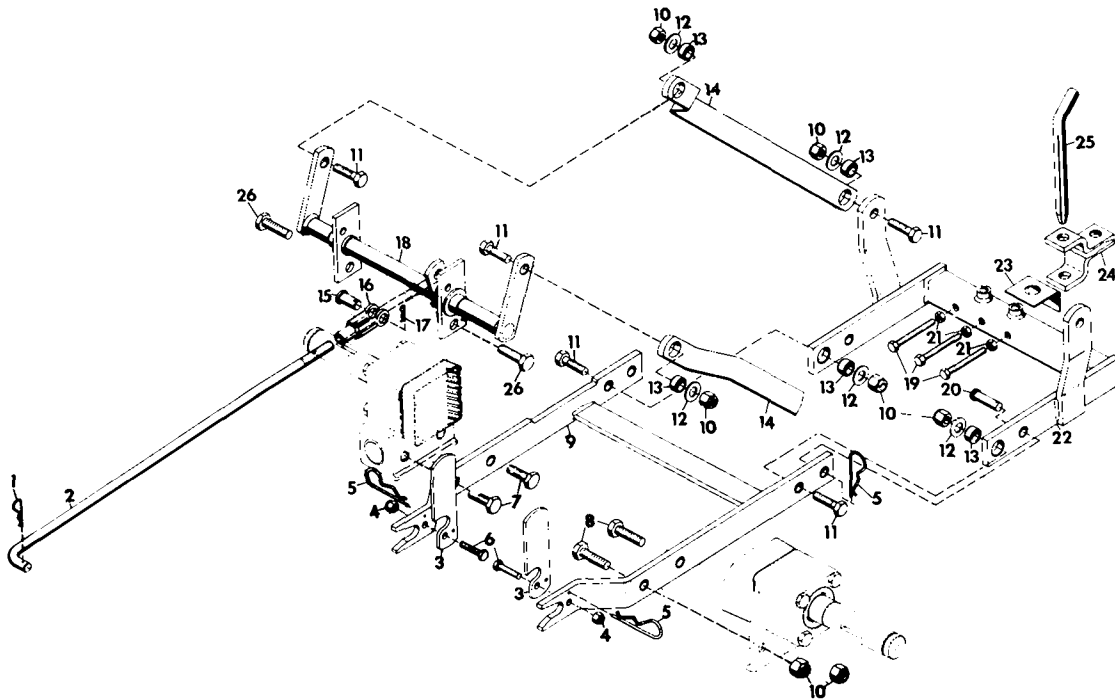
ITEM NO.	PART NO.	DESCRIPTION
1.	11057P1	Insert, Mesh Grille
2.	10969P1	Casting, Grille
3.	9419455	Nut, Lock; 5/16-18, Washer Insert
4.	180079	Bolt, Hex; 5/16-18 x 1
5.	160515	Screw, Machine; 1/4-20 x 1/2, Pan HD.
6.	15707A1	Assembly, Hood
7.	18573P1	Tray, Battery
8.	180018	Bolt, Hex; 1/4-20 x 5/8
9.	9419454	Nut, Lock; 1/4-20, Washer Insert
10.	18197P1	Plug, Bumper
11.	11989P1	Decal, Electrical System Warning
12.	120392	Washer, Flat; 9/32 x 5/8 x .065
13.	18316A1	Weldment, Instrument Panel; 810, 812, 816S
	10977A1	Weldment, Instrument Panel; 816
14.	11777P1	Grommet, Plastic
15.	180020	Bolt, Hex; 1/4-20 x 3/4
16.	20953P1	Plate, Manual Control Cover
	20955P1	Plate, Hydraulic Control Cover
17.	167257	Screw, Self Tapping; 1/4-20 x 1/2, Pan HD. C-Recess
18.	180124	Bolt, Hex; 3/8-16 x 1 1/4
19.	18361P1	Strap, Frame Extension
20.	456G04	Nut, Lock; 3/8-16, Washer Insert
21.	180126	Bolt, Hex; 3/8-16 x 1 1/2
22.	19491P1	Support, Standard Deck
23.	180173	Bolt, Hex; 1/2-13 x 1
24.	18362P1	Bracket, Fender Hold-Up
25.	21089A1	Weldment, Main Frame
26.	454666	Pin, Spring; 1/8 x 1/2
27.	11307P1	Spring, Compression; 1 41/64 x .97 x 117 Lb/in
28.	5741P1	Cap, Valve Spring
29.	113C8P1	Pin, Spring Mounting
30.	11768P1	Tip, Rubber
31.	18358A1	Weldment, Fender Support
32.	11138P1	Bushing, Rear Fender
33.	120394	Washer, Flat; 13/32 x 13/16 x .065
34.	180122	Bolt, Hex; 3/8-16 x 1
35.	18420P1	Pin, Clevis; 1/4 x .496
36.	18416P1	Strap, Fender Hold-Up
37.	121222	Pin, Cotter; 3/32 x .75
38.	10970A1	Weldment, Rear Fender; 810, 812, 816S
	19086A1	Weldment, Rear Fender; 816
39.	17837P1	Reflector, Red Safety
40.	19529P1	Decal, Cravely Black Vinyl; 810, 812, 816S
41.	19509P1	Decal, 810 LH
	19516P1	Decal, 812 LH
	20553P1	Decal, 816S LH
	19135P1	Decal, 816 LH
NS	19495P1	Decal, 810 RH
NS	19496P1	Decal, 812 RH
NS	20554P1	Decal, 816S RH
NS	19136P1	Decal, 816 RH
42.	180172	Bolt, Hex; 1/2-13 x 7/8
43.	11654P1	Cover, Foot Board; 12 x 5
44.	11653P1	Cover, Foot Board; 7.5 x 5
45.	11352P1	Bumper, Stem
46.	18179P1	Seat, 810, 812, 816S
	19341P1	Seat, 816
47.	10405P1	Cotter, Hair Pin
48.	181700	Bolt, Hex; 1/2-20 x 1 1/2 (Transmission)
49.	11058P1	Nut, Recessed; 1/2-20 (Transmission)
50.	15823P1	Bolt, Special; 5/16-18 x 12

REAR HITCH 810, 812 & 816S



ITEM NO.	PART NO.	DESCRIPTION
1.	180179	Bolt, Hex; 1/2-13 x 1 3/4
2.	435507	Nut, Lock; 1/2-13 Washer Insert
3.	20450P1	Arm, Rear Hitch
4.	19517P1	Plate, Hitch

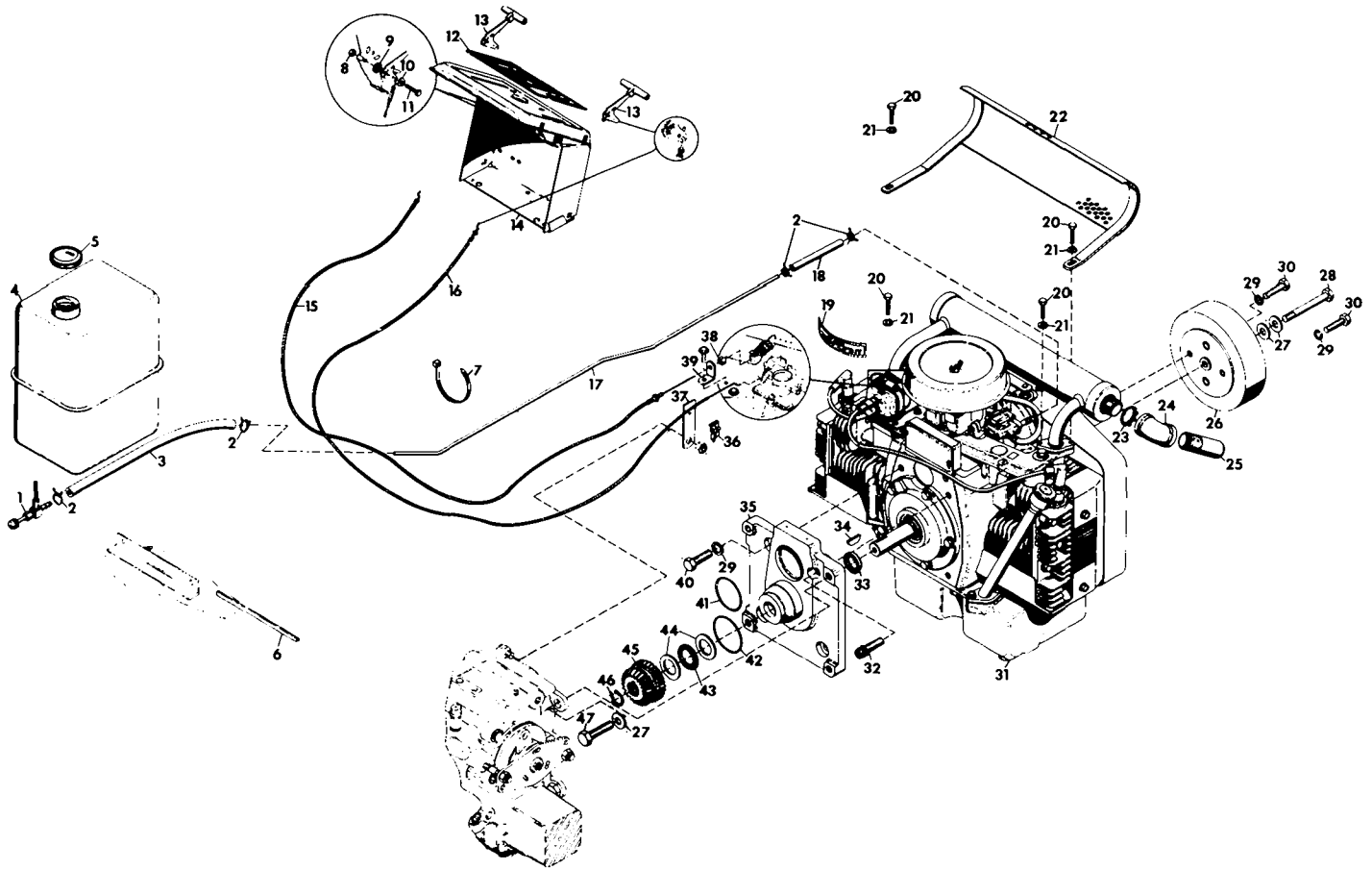
REAR HITCH-816



ITEM NO.	PART NO.	DESCRIPTION
1.	15591P1	Cotter, Hair Pin
2.	19092P1	Rod, Lift
3.	19172P1	Strap, Locking
4.	45600A	Nut, Lock; 3/8-16 Washer Insert
5.	13405P1	Cotter, Hair Pin
6.	153124	Bolt, Hex; 3/8-16 x 1 1/4
7.	180173	Bolt, Hex; 1/2-13 x 1
8.	180177	Bolt, Hex; 1/2-13 x 1 1/2
9.	20453A1	Weldment, Draw Bar
10.	435507	Nut, Lock; 1/2-13, Washer Insert
11.	180179	Bolt, Hex; 1/2-13 x 1 3/4
12.	120295	Washer, Flat; 7/16 x 1 1/16 x .095
13.	14240P1	Bushing, Pivot Casting
14.	18827P1	Strap, Rear Hitch
15.	113036	Pin, Clevis; 1/2 x 1.213
16.	18091P1	Yoke, Adjustable
17.	11860P1	Cotter, Hair Pin
18.	20502A1	Weldment, Cross Shaft
19.	1-728P1	Bolt, Special; 3/2-16 x 2 Hex HD
20.	20498P1	Pin, Clevis; 3/4 x 1.25
21.	451519	Pin, Clevis; 3/4 x 1.25 Hex Heavy
22.	20502A1	Weldment, Rear Hitch
23.	14949P1	Pad
24.	18816A1	Weldment, Rear Hitch
25.	18864P1	Pin, Hitch
26.	180175	Bolt, Hex; 1/2-13 x 1 1/4

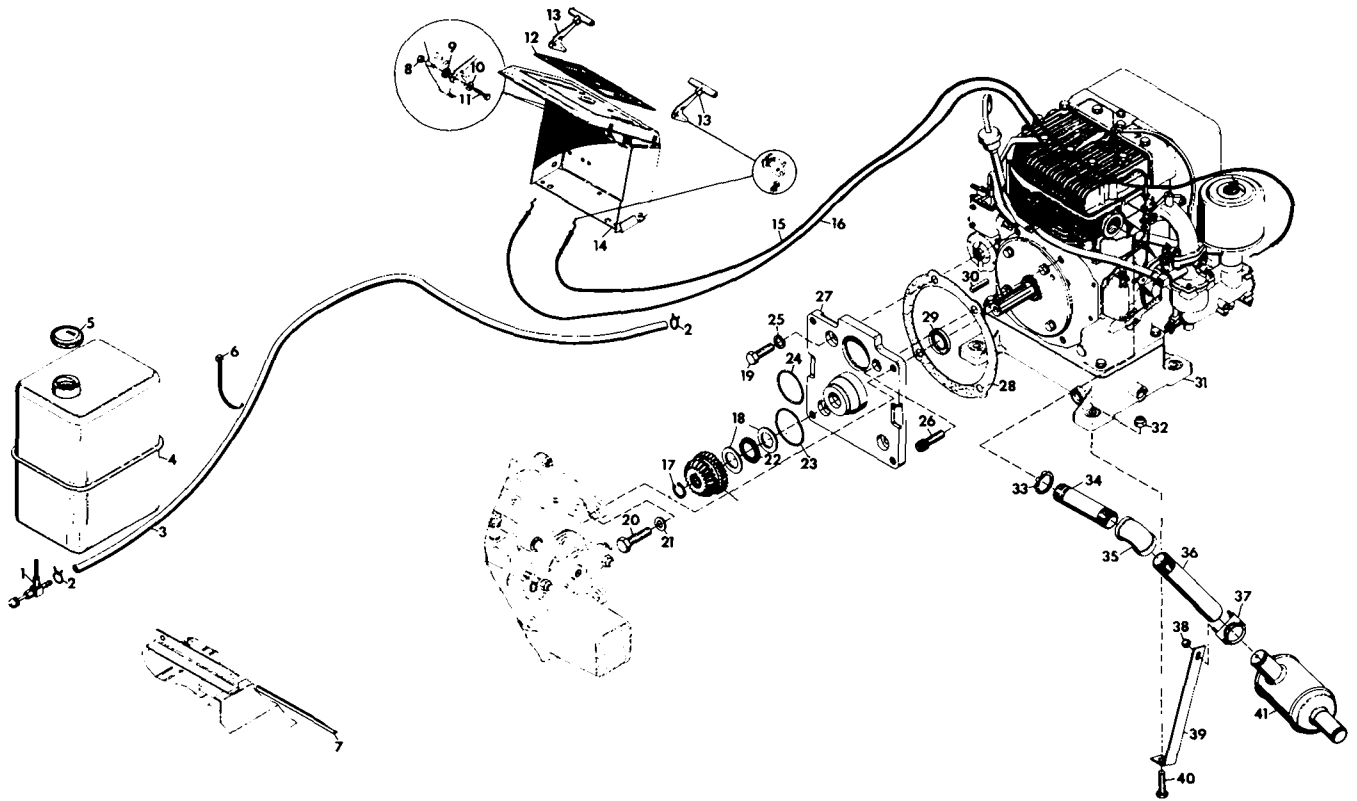
FUEL, ENGINE & EXHAUST SYSTEM

816



ITEM NO.	PART NO.	DESCRIPTION
1.	18563P1	Valve, Fuel; 90 Deg., Reverse Flow
2.	7216P1	Clamp, Fuel Hose
3.	20890P1	Hose, Fuel; 11 in
4.	12383P1	Tank, Fuel
5.	7289P1	Cap, Gas Tank
6.	14897P1	Moulding
7.	10629P1	Tie, Cable
8.	9411621	Nut, Lock; 1/4-28, Plug Insert
9.	11772P1	Washer, Friction
10.	11774P1	Washer, Spring
11.	181566	Bolt, Hex; 1/4-28 x 3/4
12.	12011P1	Decal, Instrument Panel
13.	11773A1	Assembly, Knob and Lever
14.	10977A1	Weldment, Instrument Panel; (816)
15.	15752A1	Assembly, Throttle Control
16.	19689A1	Assembly, Conduit; Choke
17.	19521P1	Line, Fuel; Copper
18.	10896P1	Line, Carburetor Fuel
19.	10862P2	Decal, Air Cleaner Instructions
20.	180079	Bolt, Hex; 5/16-18 x 1
21.	120214	Washer, Lock; 5/16 SP
22.	19087A1	Weldment, Muffler Shield
23.	10866P1	Nut, Conduit; 1 in Pipe
24.	144138	Elbow, Pipe; 1 in, 45 Deg.
25.	19347P1	Pipe, Exhaust
26.	19599P1	Flywheel, Aux.; Model 816
27.	120396	Washer, Flat; 17/32 x 1 1/16 x .095
28.	19598P1	Bolt, Special; 7/16-14 x 5
29.	120382	Washer, Lock; 3/8 SP
30.	180124	Bolt, Hex; 3/8-16 x 1 1/4
31.		Engine, 16.5 HP; Onan CCK
32.	454475	Screw, Cap; 3/8-16 x 1 3/4 Hex Socket HD
33.	18517P1	Seal, Oil; Onan Engine Adaptor
34.	103909	Key, Woodruff; 1/4-1 1/8, Soft
35.	18427P1	Adaptor, Engine; Onan NB CCK
36.	7331P1	Clip, Speed
37.	19690P1	Bracket, Choke Control Cable
38.	120375	Nut, Hex; 1/4-20
39.	18522P1	Bracket, Throttle Control
40.	180128	Bolt, Hex; 3/8-16 x 1 3/4
41.	18347P1	O-Ring; 2 1/2 x 2 3/4 x 1/8
42.	18346P1	O-Ring; 3 x 3 3/16 x 3/2
43.	18341P1	Bearing, Thrust; 1.127 x 1.740 x .37
44.	18342P1	Race, Bearing Thrust; 1.127 x 1.400 x .06
45.	18343P1	Gear, Spur and Bevel Input
46.	18344P1	Ring, Retaining; Internal
47.	180177	Bolt, Hex; 1/2-13 x 1 1/2

FUEL, ENGINE & EXHAUST SYSTEM 816S

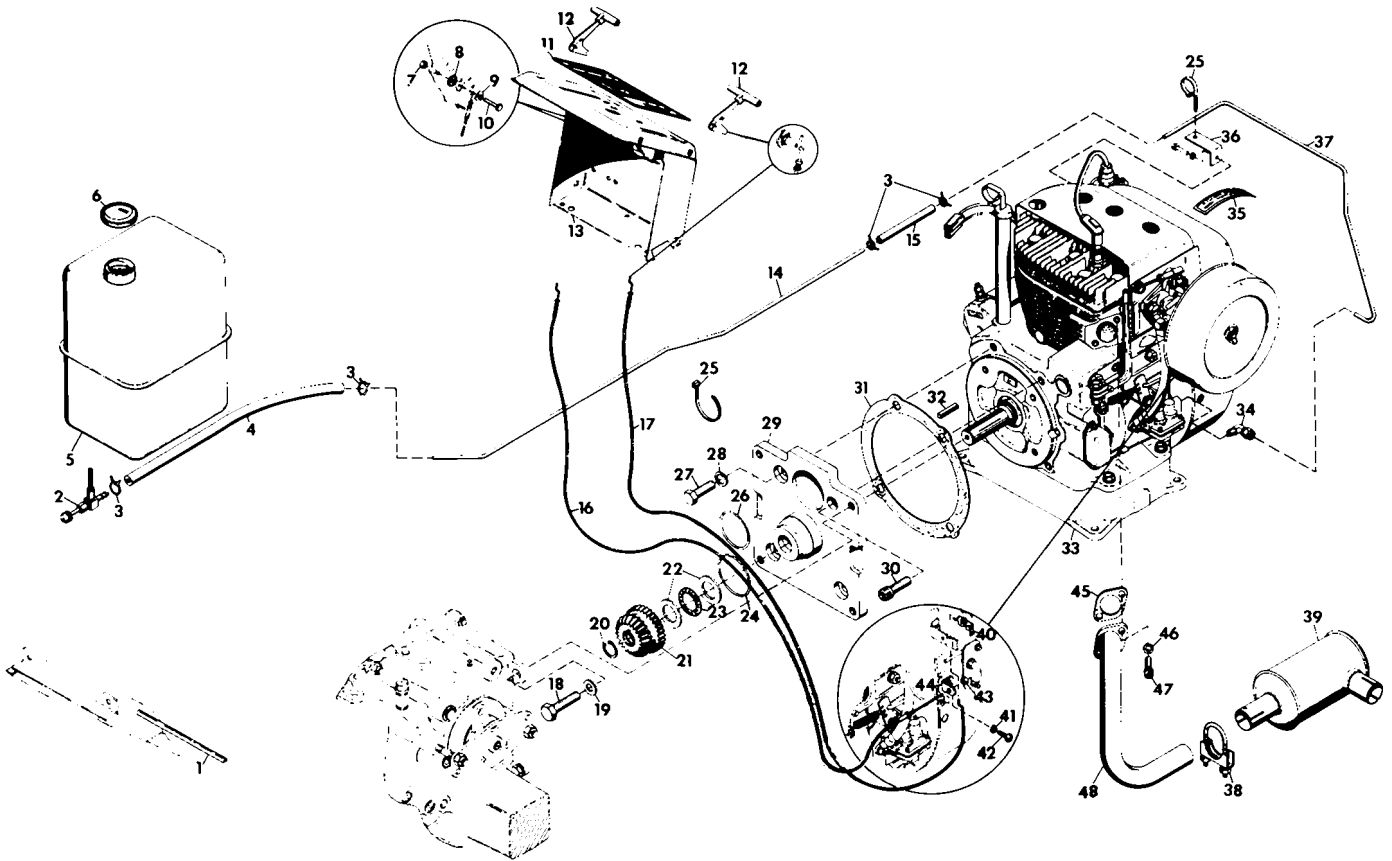


FUEL, ENGINE AND EXHAUST 816S

ITEM NO.	PART NO.	DESCRIPTION
1.	18553P1	Valve, Fuel; 90 Deg., Reverse Flow
2.	7216P1	Clamp, Fuel Hose
3.	20560P1	Hose, Fuel
4.	12383P1	Tank, Fuel
5.	7289P1	Cap, Gas Tank
6.	10629P1	File, Cable
7.	14897P1	Modding
8.	941162J	Nut, Lock; 1/4-28 Plug Insert
9.	11772P1	Washer, Friction
10.	11774P1	Washer, Spring
11.	181566	Bolt, Hex; 1/4-28 x 3/4
12.	12011P1	Decal, Instrument Panel
13.	11773A1	Assembly, Knob and Lever
14.	18316A1	Weldment, Instrument Panel;(810, 812, 816S)
15.	20565A1	Assembly, Conduit Choke
16.	20942A1	Assembly, Conduit Throttle
17.	18344P1	Ring, Retaining; Internal
18.	18342P1	Race, Bearing Thrust; 1.127 x 1.740 x .060
19.	180146	Bolt, Hex; 7/16-14 x 1 1/8
20.	183175	Bolt, Hex; 1/2-13 x 1 1/4
21.	120396	Washer, Flat; 17/32 x 1 1/16 x .095
22.	18347P1	Bearing, Thrust; 1.127 x 1.740 x .078
23.	18346P1	O-Ring; 3 x 3 3/16 x 3/32
24.	18347P1	O-Ring; 2 1/2 x 2 3/4 x 1/8
25.	13110C	Washer, Lock; 7/16 SP, Heavy
26.	9421648	Screw, Cap; 7/16-14 x 1, Socket HD.
27.	20555P1	Adaptor, Engine
28.	18340P1	Gasket, Adaptor
29.	18343P1	Gear, Spur and Bevel Input
30.	18345P1	Key, Square; 1/4 x 1 1/4
31.		Engine, 16 HP; B & S
32.	4560C4	Nut, Lock; 3/8-16, Washer Insert
33.	10866P1	Nut, Conduit; 1 in Pipe
34.	20579P1	Pipe, Exhaust; 1 in x 6 in
35.	127793	Elbow, Pipe; 90 Deg., 1 in
36.	20580P1	Pipe, Exhaust; 1 in x 8.4 in
37.	14728P1	Clamp, Muffler
38.	120368	Nut, Hex; 5/16-24
39.	20581P1	Support, Exhaust
40.	183124	Bolt, Hex; 3/8-16 x 1 1/4
41.	18543P1	Muffler, Exhaust

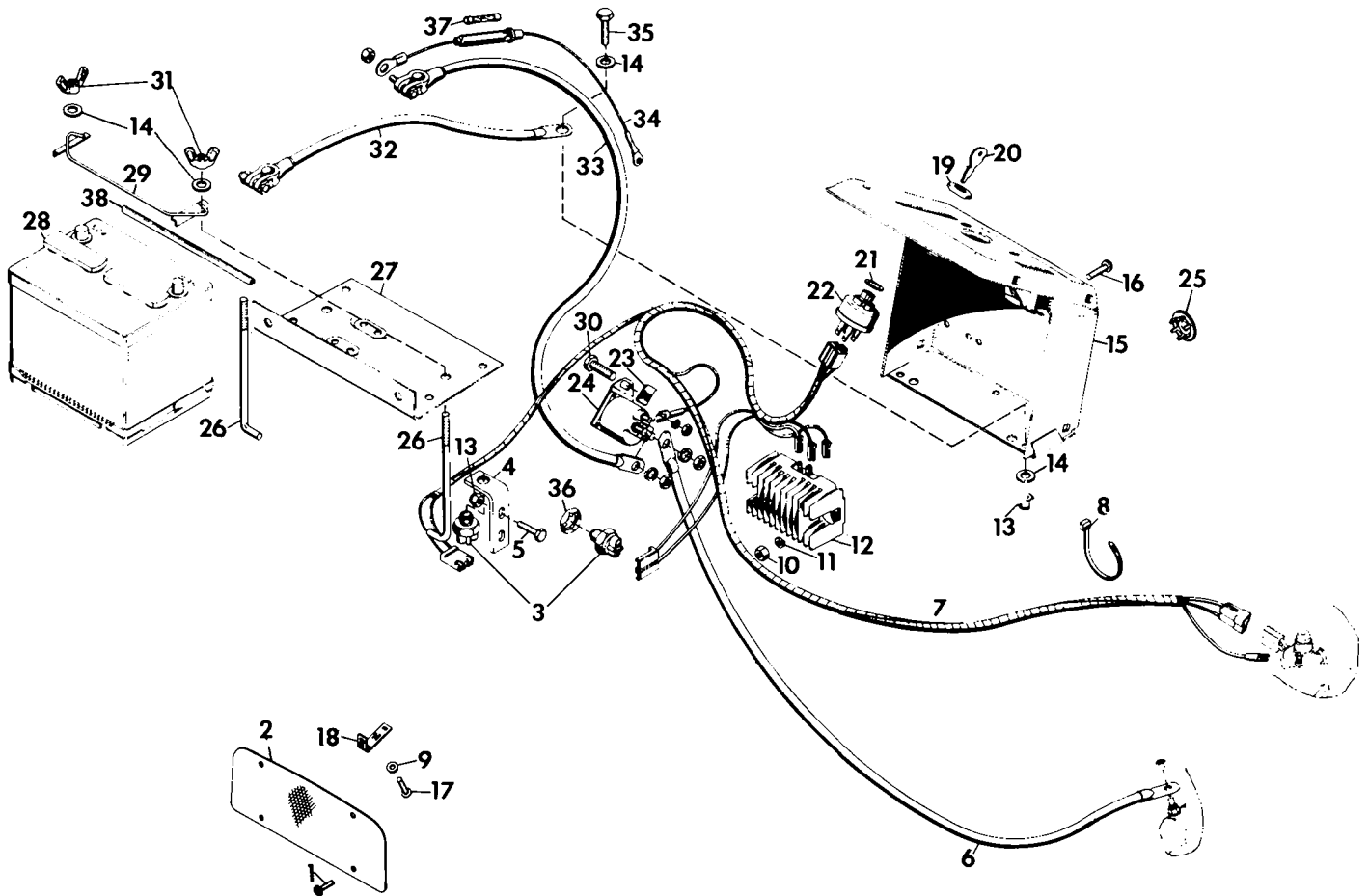
FUEL, ENGINE & EXHAUST SYSTEM

810 & 812



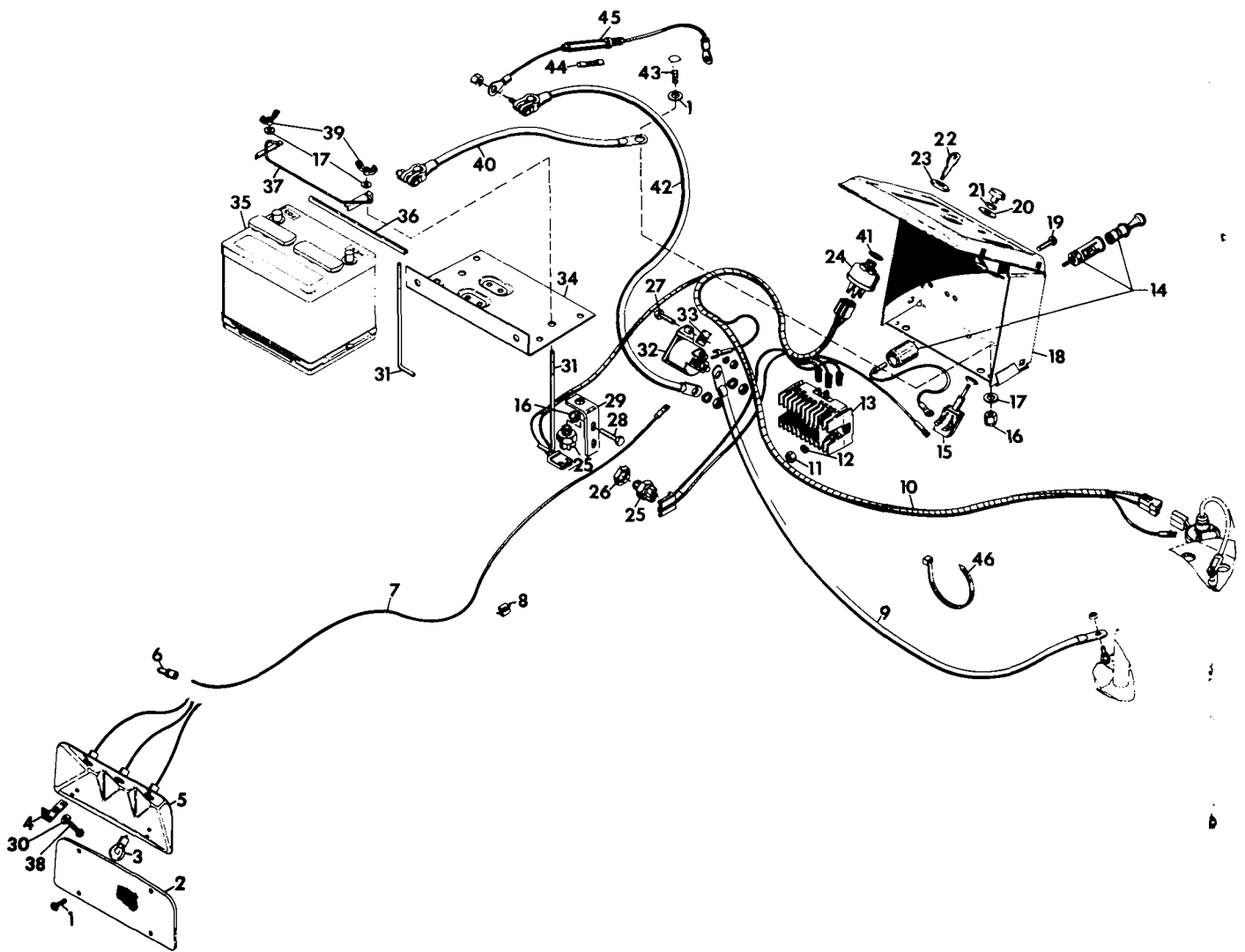
ITEM NO.	PART NO.	DESCRIPTION
1.	14897P1	Moulding
2.	18563P1	Valve, Fuel; 90 Deg., Reverse Flow
3.	7216P1	Clamp, Fuel Hose
4.	10896P1	Line, Gas Tank
5.	12383P1	Tank, Fuel
6.	7289P1	Cap, Gas Tank
7.	941162P1	Nut, Lock; 1/4-28 Plug Insert
8.	11772P1	Washer, Friction
9.	11774P1	Washer, Spring
10.	181566	Bolt, Hex; 1/4-28 x 3/4
11.	12011P1	Decal, Instrument Panel
12.	11773A1	Assembly, Knob and Lever
13.	18315A1	Weldment, Instrument Panel; (810, 812, 816S)
14.	12382P1	Line, Fuel; Copper
15.	12714P1	Hose, Fuel; 8 in
16.	18509A1	Assembly, Throttle Control Conduit
17.	11771A1	Assembly, Choke Control Conduit
18.	18C175	Bolt, Hex; 1/2-13 x 1 1/4
19.	120396	Washer, Flat; 17/32 x 1 1/16 x .095
20.	18344P1	Ring, Retaining; Internal
21.	18343P1	Gear, Spur and Bevel Input
22.	18342P1	Race, Bearing Thrust; 1.127 x 1.740 x .060
23.	18341P1	Bearing, Thrust; 1.127 x 1.740 x .078
24.	18346P1	O-Ring; 3 x 3 3/16 x 3/32
25.	10629P1	Tie, Cable
26.	18347P1	O-Ring; 2 1/2 x 2 3/4 x 1/8
27.	180146	Bolt, Hex; 7/16-14 x 1 1/8
28.	131100	Washer, Lock; 7/16 SP, Heavy
29.	20555P1	Adaptor, Engine
30.	9421648	Screw, Cap; 7/16-14 x 1, Socket HD.
31.	18340P1	Gasket, Adaptor
32.	18345P1	Key, Square; 1/4 x 1 1/4
33.	21167A1	Engine, 10 HP; Kohler
	19482A1	Engine, 12 HP; Kohler
34.	114798	Assembly, 1/4 Ball Sleeve Elbow
35.	10862P2	Decal, Air Cleaner Instruction
36.	12019P1	Bracket, Fuel Line Support
37.	12009P1	Connector, Pump to Fuel Line
38.	14728P1	Clamp, Muffler
39.	18543P1	Muffler, Exhaust
40.	7331P1	Clip, Speed
41.	120380	Washer, Lock; 1/4 SP
42.	160515	Screw, Machine; 1/4-20 x 1/2, Pan HD.
43.	120375	Nut, Hex; 1/4-20
44.	18522P1	Bracket, Throttle Control
45.	11202P1	Gasket, Exhaust
46.	120214	Washer, Lock; 5/16 SP
47.	9421705	Screw, Cap; 5/16-18 x 3/4, Socket HD.
48.	19492P1	Header, Exhaust

ELECTRICAL SYSTEM 810



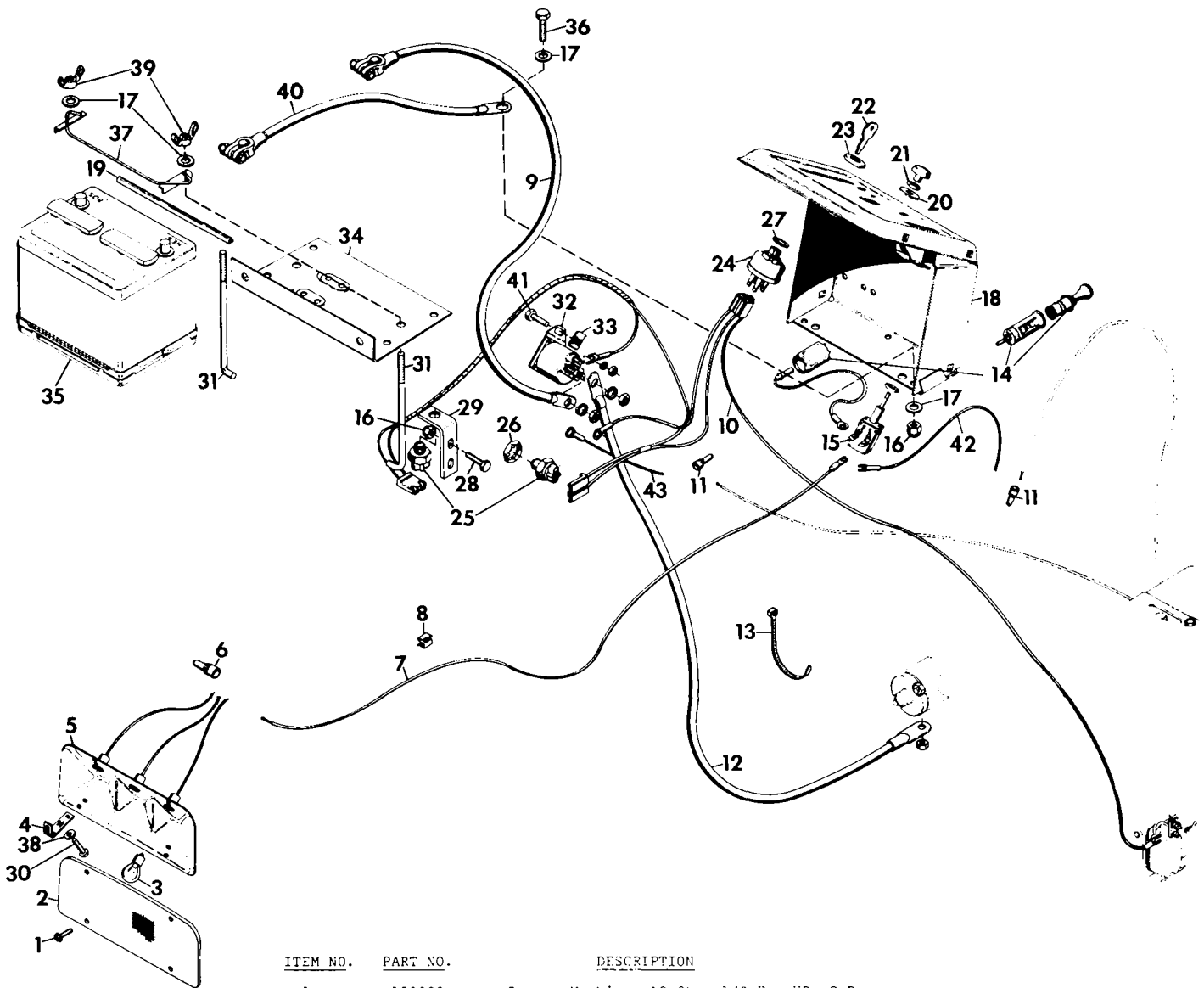
ITEM NO.	PART NO.	DESCRIPTION
1.	159920	Screw, Machine; 10-24 x 1/2 Pan HD. C-Recess
2.	11288P1	Panel, Front
3.	20916P1	Switch, Interlock
4.	20660P1	Bracket, Switch
5.	180021	Bolt, Hex; 1/4-20 x 7/8
6.	11031P1	Cable, Starter
7.	20690P1	Harness, 812 Wiring
8.	13629P1	Tie, Cable
9.	120385	Washer, Flat; 3/16 x 9/16 x .049
10.	120375	Nut, Hex; 1/4-20
11.	120380	Washer, Lock; 1/4 SP
12.	18009P1	Regulator, Rectifier
13.	9419454	Nut, Lock; 1/4-20 Washer Insert
14.	120392	Washer, Flat; 9/32 x 5/8 x .065
15.	18316A1	Weldment, Instrument Panel; (810, 812, 816S)
16.	160541	Screw, Machine; 1/4-20 x 3/4 Pan HD.
17.	159947	Screw, Machine; 1/4-24 x 3/4 Pan HD. C-Recess
18.	11030P1	Clip, Light MTG.
19.	19666P1	Nut, Jamb; 9/16-24, Ignition Switch
20.	18573P1	Key, Ignition Switch
21.	19667P1	Washer, Lock; 9/16 Int. Tooth, Ignition Switch
22.	19223P1	Switch, Ignition
23.	11676P1	Nut, Speed; 1/4-20
24.	7277P1	Switch, Magnetic
25.	11034P1	Plug, Cigar Lighter Hole
26.	12386P1	Hook, Battery
27.	18573P1	Tray, Battery
28.	7274F1	Battery; 17 Volt
29.	11027P1	Bracket, Battery Hold Down
30.	180318	Bolt, Hex; 1/4-20 x 5/8
31.	10413P1	Nut, Wing; 1/4-20 Washer Insert
32.	6980P1	Cable, Ground
33.	12375P1	Cable, Battery to Magnetic Switch
34.	17124A1	Assembly, 30 AMP Fuse Holder
35.	180320	Bolt, Hex; 1/4-20 x 3/4
36.	137354	Nut, Stamped; 9/16-18 7/8 x .20 Hex
37.	14893P1	Fuse, 30 AMP; Acc-30
38.	14897P1	Moulding

ELECTRICAL SYSTEM 812



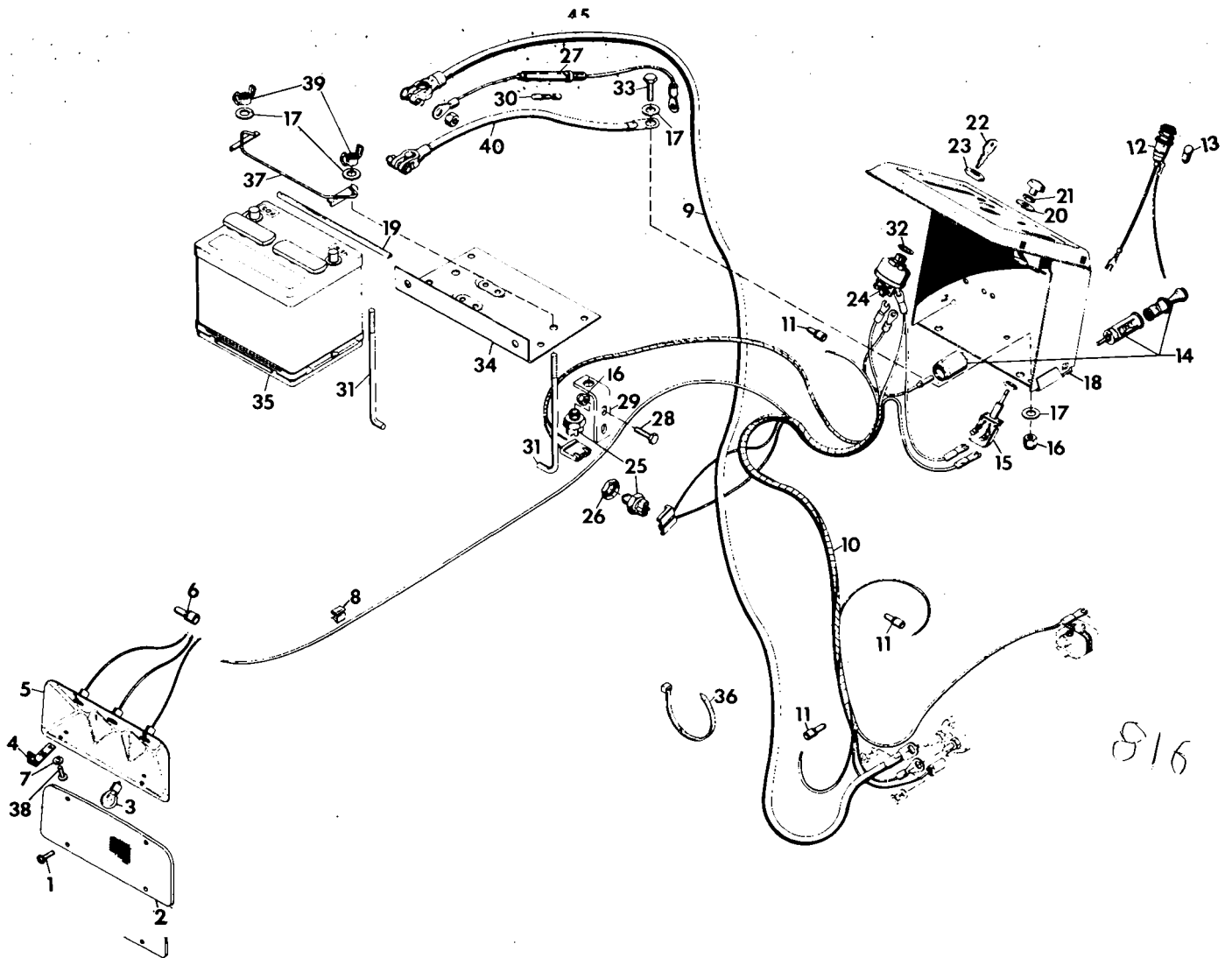
ITEM NO.	QTY	DESCRIPTION
1.	159920	Screw, Machine; 10-24 x 1/2 Pan HD. C-Recess
2.	11289P1	Panel, Front Light
3.	454646	Lamp
4.	11030P1	Clip, Light MTG.
5.	11334A1	Assembly, Lamp Reflector
6.	6913P1	Terminal, Sta-Kon
7.	19534P1	Wire, Headlight
8.	11286P1	Clip, Wire
9.	11031P1	Cable, Starter
10.	20690P1	Harness, 812 Wiring
11.	120375	Nut, Hex; 1/4-20
17.	120380	Washer, Lock; 1/4 SP
13.	18009P1	Rectifier, Regulator
14.	11332A1	Lighter, Cigar
15.	11337P1	Switch, Light
16.	9419454	Nut, Lock; 1/4-20 Washer Insert
17.	120392	Washer, Flat; 9/32 x 5/8 x .065
18.	18316A1	Weldment, Instrument Panel; (810, 812, 816S)
19.	160541	Screw, Machine; 1/4-20 x 3/4 Pan HD
20.	120388	Washer, Flat; 7/16 x 1 x .083
21.	16587P1	Nut, Light Switch
22.	18570P1	Key, Ignition Switch
23.	19666P1	Nut, Jamb; 9/16-24, Ignition Switch
24.	19223P1	Switch, Ignition
25.	20916P1	Switch, Interlock
26.	107354	Nut, Stamped; 9/16-18 7/8 x .20 Hex
27.	180018	Bolt, Hex; 1/4-20 x 5/8
28.	180021	Bolt, Hex; 1/4-20 x 7/8
29.	20660P1	Bracket, Switch
30.	120385	Washer, Flat; 3/16 x 9/16 x .049
31.	12386P1	Hook, Battery
32.	7277P1	Switch, Magnetic
33.	11676P1	Nut, Speed; 1/4-20
34.	18573P1	Tray, Battery
35.	7274E1	Battery; 12 Volt
36.	14897P1	Moulding
37.	11027P1	Bracket, Battery Hold Down
38.	159947	Screw, Machine; 10-24 x 3/4 Pan HD. C-Recess
39.	10413P1	Nut, Wing; 1/4-20 Washer Insert
40.	6980P1	Cable Ground
41.	19667P1	Washer, Lock; 9/16 In. Tooth, Ignition Switch
42.	17375P1	Cable Battery To Magnetic Switch
43.	180020	Bolt, Hex; 1/4-20 x 3/4
44.	14893P1	Fuse, 30 AMP; Acc-30
45.	17124A1	Assembly, 30 AMP Fuse Holder
46.	10629P1	Tic, Cable

ELECTRICAL SYSTEM 816S



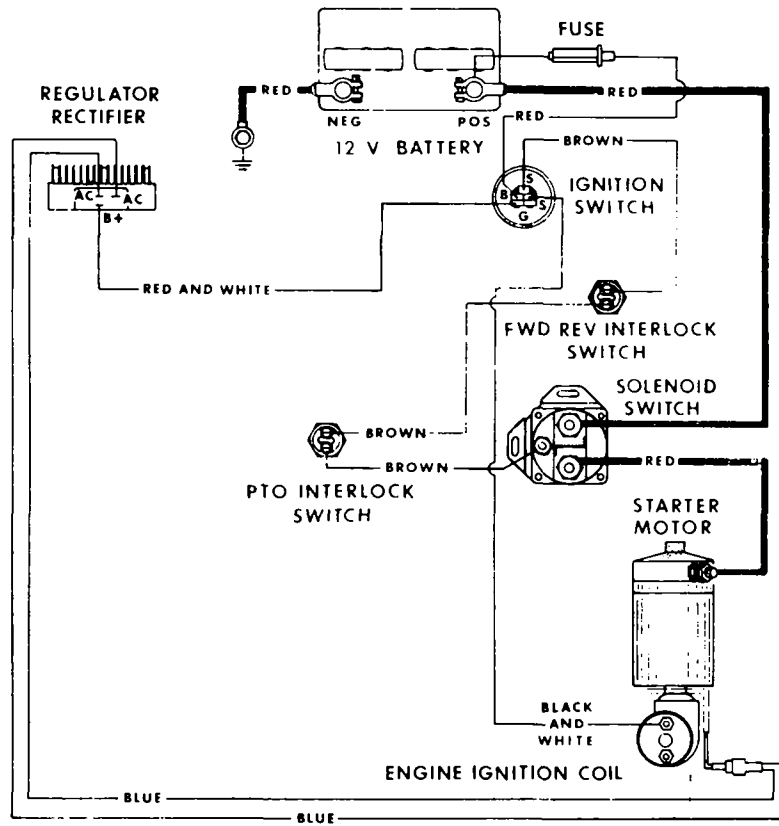
ITEM NO.	PART NO.	DESCRIPTION
1.	159920	Screw, Machine; 10-24 x 1/2 Pan HD. C-Recess
2.	11289P1	Panel, Front Light
3.	454646	Lamp
4.	11030P1	Clip, Light MTC.
5.	11334A1	Assembly, Lamp Reflector
6.	6913P1	Terminal, STA-KON
7.	19534P1	Wire, Headlight
8.	11286P1	Clip, Wire
9.	12375P1	Cable, Battery to Magnetic Switch
10.	20750P1	Harness, 816S Wiring
11.	11763P1	Nut, Wire
12.	20577P1	Cable, Starter
13.	10629P1	Tie, Cable
14.	11332A1	Lighter, Cigar
15.	11337P1	Switch, Light
16.	9419454	Nut, Lock; 1/4-20 Washer Insert
17.	120392	Washer, Flat; 9/32 x 5/8 x .065
18.	18316A1	Weldment, Instrument Panel; (810, 812, 815S)
19.	14897P1	Moulding
20.	120388	Washer, Flat; 7/16 x 1 x .083
21.	18587P1	Nut, Special; Light Switch
22.	18570P1	Key, Ignition Switch
23.	19666P1	Nut, Jamb; 9/16-24, Ignition Switch
24.	20564P1	Switch, Ignition
25.	20916P1	Switch, Interlock
26.	107354	Nut, Stamped; 9/16 x 18 7/8 x .20, Hex
27.	19667P1	Washer, Lock; 9/16 Int. Tooth, Ignition Switch
28.	180021	Bolt, Hex 1/4-20 x 7/8
29.	20660P1	Bracket, Switch
30.	159947	Screw, Machine; 10-24 x 3/4 Pan HD C-Recess
31.	12386P1	Hook, Battery
32.	7277P1	Switch, Magnetic
33.	11676P1	Nut, Speed; 1/4-20
34.	18573P1	Tray, Battery
35.	7274E1	Battery; 12 Volt
36.	180020	Bolt, Hex; 1/4-20 x 3/4
37.	11027P1	Bracket, Battery Hold Down
38.	120385	Washer, Flat; 3/16 x 9/16 x .045
39.	10413P1	Nut, Wire; 1/4-20 Washer Insert
40.	6980P1	Cable, Ground
41.	180018	Bolt, Hex; 1/4-20 x 5/8
42.	20777P1	Wire, 816S Head Light
43.	20778P1	Wire, Solenoid

ELECTRICAL SYSTEM 816

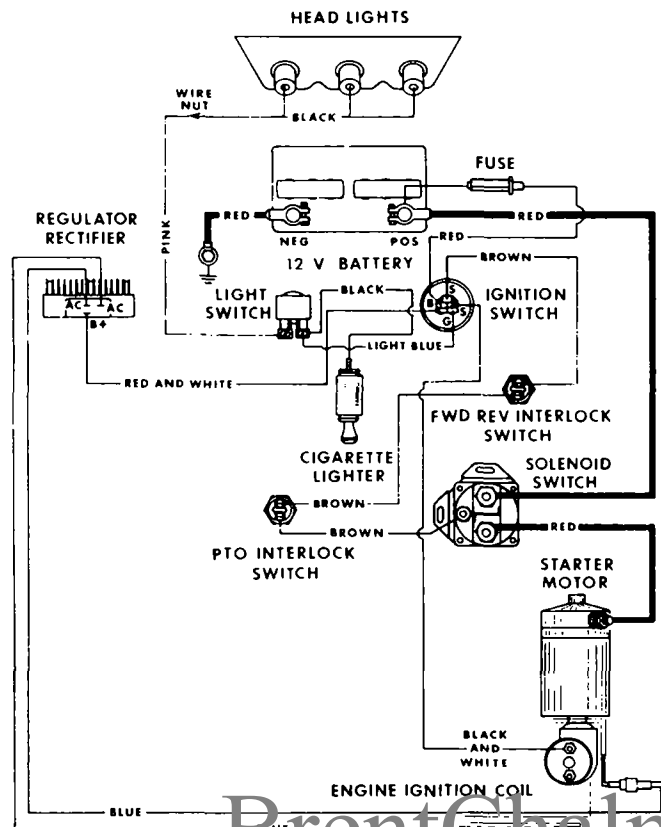


ITEM NO.	PART NO.	DESCRIPTION
1.	159920	Screw, Machine; 10-24 x 1/2, Pan HD. C-Recess
2.	11289P1	Panel, Front Light
3.	454646	Lamp
4.	11030P1	Clip, Light MTG.
5.	11334A1	Assembly, Lamp Reflector
6.	6913P1	Terminal, STA-KON
7.	120385	Washer, Flat; 3/16 x 9/16 x .049
8.	11286P1	Clip, Wire
9.	20889P1	Cable, Battery
10.	20749P1	Harness, 816 Wiring
11.	11763P1	Nut, Wire
12.	14511A1	Assembly, Indicator Lamp
13.	76751P1	Bulb, Oil Lamp
14.	11332A1	Lighter, Cigar
15.	11337P1	Switch, Light
16.	9419454	Nut, Lock; 1/4-20 Washer Insert
17.	120397	Washer, Flat; 9/32 x 5/8 x .065
18.	10977A1	Weldment, Instrument Panel; (816)
19.	14897P1	Moulding
20.	120388	Washer, Flat; 7/16 x 1 x .083
21.	18587P1	Nut, Special; Light Switch
22.	18570P1	Key, Ignition Switch
23.	18585P1	Nut, Jamb; 5/8-32 Hex, Ignition Switch
24.	18207P1	Switch, Ignition
25.	20916P1	Switch, Interlock
26.	107354	Nut, Stamped; 9/16-18 7/8 x .20
27.	17124A1	Assembly, 30 AMP Fuse Holder
28.	180021	Bolt, Hex; 1/4-20 x 7/8
29.	20660P1	Bracket, Switch
30.	14893P1	Fuse, 30 AMP; Acc-30
31.	12386P1	Hook, Battery
32.	18586P1	Washer, Lock; 5/8 Int. Tooth, Ignition Switch
33.	180020	Bolt, Hex; 1/4-20 x 3/4
34.	18573P1	Tray, Battery
35.	7274E1	Battery, 12 Volt
36.	10629P1	Tie, Cable
37.	11027P1	Bracket, Battery Hold Down
38.	159947	Screw, Machine; 10-24 x 3/4, Pan HD. C-Recess
39.	10413P1	Nut, Wing; 1/4-20 Washer Insert
40.	6980P1	Cable, Ground

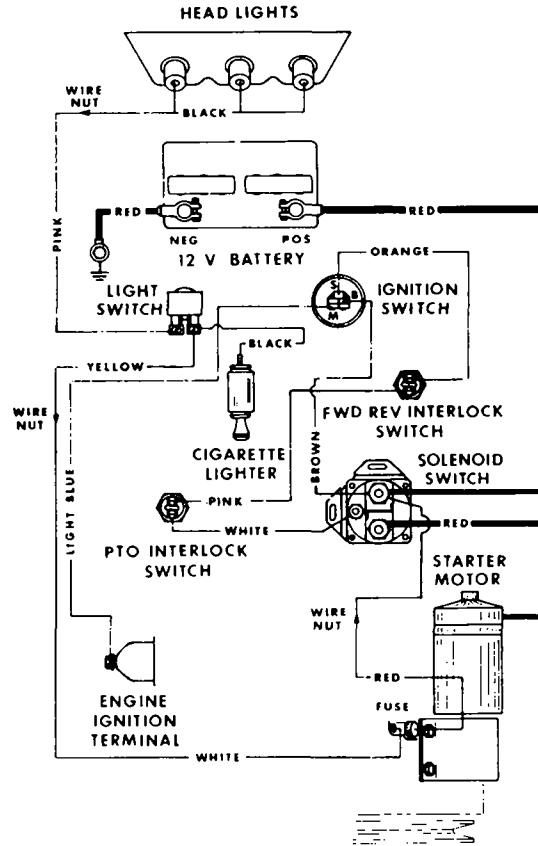
WIRING DIAGRAM 810



WIRING DIAGRAM 812



WIRING DIAGRAM 816S



WIRING DIAGRAM 816

