



A TEREX BRAND

# *Parts Manual*

Serial Number Range

***GTH-1056***

(from serial number  
GTH1010-14001 to  
GTH1014-19340)

Part No. 226647

Rev D2

November 2018

---

## Technical Publications

Genie has endeavored to deliver the highest degree of accuracy possible. However, continuous improvement of our products is a Genie policy. Therefore, product specifications are subject to change without notice.

Readers are encouraged to notify Genie of errors and send in suggestions for improvement. All communications will be carefully considered for future printings of this and all other manuals.

---

## Contact Us:

Internet: [www.genielift.com](http://www.genielift.com)  
e-mail: [awp.techpub@terex.com](mailto:awp.techpub@terex.com)

---

## Find a Manual for this Model

Go to <http://www.genielift.com>


Use the links to locate Operator's, Parts, Maintenance, and Service and Repair Manuals.

---

Copyright © 2011 by Terex Corporation

226647 Rev D April 2018  
Third Edition, Fourth Printing

Genie and "GTH" are registered trademarks of Terex South Dakota, Inc. in the USA and many other countries.

 Printed on recycled paper

**Genie**  
A TEREX BRAND  
Terex South Dakota, Inc.  
18340 NE 76th Street  
Redmond, WA 98052 USA

**MODEL:** GTH-1056

**SERIAL NUMBER:** GTH1011B-14256

**ATTACHMENT:** 48" WIDE FORK FRAME

**MANUFACTURE DATE :** 10/12/10

**TOTAL TRUCK WEIGHT:** 29,000 lbs / 13,182 kg

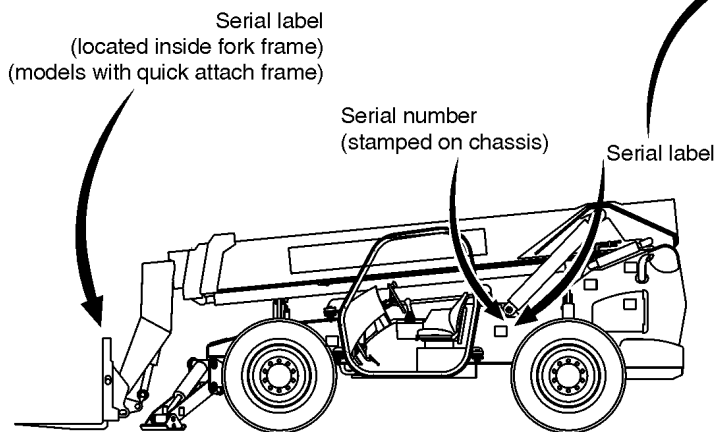
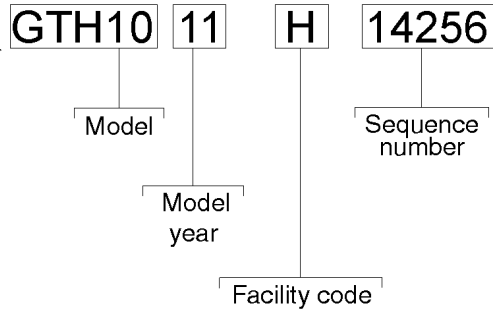
**MAX. LIFT CAPACITY:**  
10,000 lbs

**LIFT CAPACITY (LBS)**  
**AT MAX LIFT HEIGHT:** 6,000 lbs

**OUTRIGGERS UP:** N/A  
**OUTRIGGERS DOWN:** N/A

**THIS FORKLIFT TRUCK COMPLIES WITH:**  
ASME B56.6-2002 SAFETY STD FOR  
ROUGH TERRAIN FORKLIFT TRUCK

**COUNTRY OF MANUFACTURE:**



**Genie**  
A TEREX COMPANY

<b>Model No.</b>	<u>BX-1004</u>
<b>Serial No.</b>	<u>GTH0811-14256</u>
<b>Yr. of Mfg.</b>	<u>10/12/10</u>
<b>Cap. (lbs)</b>	<u>2000</u>
<b>Max. Wt. (lbs)</b>	<u>620.50</u>
<b>C.G. (in)</b>	<u>54.43</u>
<b>Max. Hyd. Press. (psi)</b>	<u>                    </u>

**Capacity of truck and attachment combination may be less than the capacity shown here. Consult truck load capacity plate. Complies with ASME B56.6-2002**

## Table of Contents

This manual is updated frequently. If you have a printed manual, you can keep it up to date by downloading new figures from the Genie website at [www.genielift.com](http://www.genielift.com). For the most up-to-date parts information, visit the Parts Lookup System on the Genie website at [www.genielift.com](http://www.genielift.com).

How to Read Your Serial Number.....	3
Parts Stocking List.....	9
How to Order Parts.....	10
Service Parts Fax Order Form.....	11

**Electronic Version**

Click on any page number to view the figure.

**0100 Decals**

101.1 Decals with Words, Cab Side (to SN GTH1012-16291).....	12
101.2 Decal with Words, Cab Side (from GTH1012-16292).....	14
102.1 Decals with Words, Hydraulic Tank Side (to SN GTH1012-16291).....	16
102.2 Decals with Word, Hydraulic Tank Side (from GTH1012-16292).....	18
103.1 Decals with Words, Cab and Attachments (to SN GTH1012-16291).....	20
103.2 Decals with Words, Cab and Attachments (from GTH1012-16292).....	22
104.1 Decals with Symbols, Cab Side.....	24
104.2 Decals with Symbols, Cab Side (from GTH1012-16292).....	26
105.1 Decals with Symbols, Hydraulic Tank Side.....	28
105.2 Decals with Symbols, Hydraulic Tank Side (from GTH1012-16292).....	30
106.1 Decals with Symbols, Cab and Attachments.....	32
106.2 Decals with Symbols, Cab and Attachments (from GTH1012-16292).....	34

**0200 Drive Chassis Components**

201.1 Stabilizer Assembly.....	36
202.1 Front Axle View.....	38
203.1 Front Axle, Central Housing.....	40
204.1 Front Axle, Differential.....	42
205.1 Front Axle, Hub Reduction.....	44
206.1 Front Axle, Brakes (to SN 1012-16525).....	46
206.2 Front Axle, Brakes (from SN 1012-16525).....	48
207.1 Front Axle, Steering.....	50

208.1 Front Axle, Trunion.....	52
209.1 Rear Axle View.....	54
210.1 Rear Axle, Central Housing.....	56
211.1 Rear Axle, Differential.....	58
212.1 Rear Axle, Hub Reduction.....	60
213.1 Rear Axle, Brakes.....	62
214.1 Rear Axle, Steering.....	64
215.1 Rear Axle, Trunion.....	66
216.1 Drive Shaft and Transmission.....	68
217.1 Fuel and Hydraulic Tank Assembly.....	70
217.2 Engine Circuit Breakers- Fuel and Hydraulic Tank (from Serial Number GTH1012-16292).....	72
218.1 General Assembly.....	74
219.1 Rear Chassis View (to Serial Number GTH1012-16291).....	76
219.2 Rear Chassis View (from Serial Number GTH1012-16292).....	78
220.1 Function Manifold Assembly.....	80

**0300 Transmission Components**

301.1 Converter Housing Assembly.....	82
302.1 Transmission Case and Cover Assembly.....	84
303.1 Turbine Shaft Assembly.....	86
304.1 Front Cover.....	88
305.1 Torque Converter Assembly.....	90
306.1 Gear Assembly.....	92
307.1 Auxilliary Pump Drive Assembly.....	94
308.1 Pump Drive Assembly.....	96
309.1 Forward Shaft Assembly.....	98
310.1 Reverse and Second Shaft Assembly.....	100
311.1 Reverse Idler Shaft Assembly.....	102
312.1 Low Speed Shaft Assembly.....	104
313.1 Third Shaft Assembly.....	106
314.1 Output Shaft Assembly.....	108
315.1 Charging Pump and Filter Assembly.....	110
316.1 Valve Assembly Mounting.....	112
317.1 Electronic Control Valve Assembly.....	114
318.1 Modulator Valve Assembly.....	116
319.1 Input Flange.....	118

**0400 Cab Components**

401.1 Standard Cab Components, View 1 (to SN GTH1012-16291).....	120
402.1 Standard Cab Components, View 2 (to SN GTH1012-16291).....	122
403.1 Standard Cab Components, View 3 (to SN GTH1012-16291).....	124
404.1 Standard Cab Components, View 4 (to SN GTH1012-16291).....	126

405.1 Enclosed Cab Assembly Option, View 1 (to SN GTH1012-16291).....	128	505.1 Perkins 1104D-E44TA, Tier 3 Engine, View 2.....	184
406.1 Enclosed Cab Assembly Option, View 2 (to SN GTH1012-16291).....	130	506.1 Perkins 1104D-E44TA, Tier 3 Engine, View 3.....	186
407.1 Enclosed Cab Assembly Option, View 3 (to SN GTH1012-16291).....	132	507.1 Perkins 1204E-E44TA Engine, View 1.....	188
408.1 Enclosed Cab Assembly Option, View 4 (to SN GTH1012-16291).....	134	508.1 Perkins 1204E-E44TA Engine, View 2.....	190
409.1 Enclosed Cab Assembly Option, Heater Assembly (to SN GTH1012-16291).....	136	509.1 Perkins 1204E-E44TA Engine, View 3.....	192
410.1 Joystick Controller Assembly (to SN GTH1012-16291).....	138	510.1 Perkins 1204E-E44TA Engine, View 4.....	194
410.2 Joystick Controller Assemblies (from SN GTH1012-16292).....	140	511.1 Deutz TCD3.6 T3 Engine, View 1.....	196
411.1 Joystick Controller Assembly, Spherical Knob.....	142	512.1 Deutz TCD3.6 T3 Engine, View 2.....	198
412.1 Standard Cab Components, View 1 (from serial number GTH1012-16292).....	144	513.1 Deutz TCD3.6 T3 Engine, View 3.....	200
412.2 Standard Cab Components, View 1 (from serial number GTH1014-18895).....	146	514.1 Deutz TCD 3.6 Tier IV Engine, View 1.....	202
413.1 Standard Cab Components, View 2 (from serial number GTH1012-16292).....	148	515.1 Deutz TCD 3.6 Tier IV Engine, View 2.....	204
414.1 Standard Cab Components, View 3 (from serial number GTH1012-16292).....	150	516.1 Deutz TCD 3.6 Tier IV Engine, View 3.....	208
415.1 Standard Cab Components, View 4 (from serial number GTH1012-16292).....	152		
416.1 Enclosed Cab Assembly Option, View 1 (from serial number GTH1012-16292).....	154	<b>0600 Fork and Frame Components</b>	
417.1 Enclosed Cab Assembly Option, View 2 (from serial number GTH1012-16292).....	156	601.1 Fork Frame, Standard.....	210
418.1 Enclosed Cab Assembly Option, View 3 (from serial number GTH1012-16292).....	158	602.1 Fork Frame, Quick Attachment.....	212
419.1 Enclosed Cab Assembly Option, View 4 (from serial number GTH1012-16292).....	160	603.1 Fork Frame, Swing Carriage Attachment.....	214
420.1 Enclosed Cab Assembly Option, View 5 (from serial number GTH1012-16292).....	162	604.1 Fork Frame, Rotate Attachment.....	216
421.1 Enclosed Cab Assembly Option, View 6 (from serial number GTH1012-16292).....	164	604.2 Fork Frame, Rotate Attachment.....	218
422.1 Enclosed Cab Assembly Option, View 7 (from serial number GTH1012-16292).....	166	605.1 Rubbish Bucket, Quick Attachment.....	220
423.1 Enclosed Cab Assembly Option, View 8 (from serial number GTH1012-16292).....	168	606.1 Truss Boom, Quick Attachment.....	222
424.1 Enclosed Cab Assembly Option, View 9 (from serial number GTH1012-16292).....	170	607.1 Cat Adapter.....	224
425.1 Enclosed Cab Assembly Option, View 10 (from serial number GTH1012-16292).....	172	608.1 Slip On Truss Boom Attachment.....	226
		<b>0700 Boom Components</b>	
<b>0500 Engine Components</b>		701.1 Small Boom Assembly.....	228
501.1 John Deere-4045, T3 Engine, View 1.....	174	702.1 Small Middle Boom Assembly.....	230
502.1 John Deere-4045, T3 Engine, View 2.....	176	703.1 Large Middle Boom Assembly.....	232
503.1 John Deere-4045, T3 Engine, Air Cleaner Assembly.....	178	704.1 Large Boom Assembly.....	234
504.1 Perkins 1104D-E44TA, Tier 3 Engine, View 1.....	180	705.1 Cable Track Assembly.....	236
		<b>0800 Hydraulic Components</b>	
		801.1 Steering System.....	238
		802.1 Stabilizer System.....	240
		803.1 Sway Cylinder and Single Joystick Components.....	242
		804.1 Dual Joystick Components.....	244
		805.1 Front and Rear Axle System.....	246
		806.1 Boom Components.....	248
		807.1 Boom Components, Auxiliary.....	250
		808.1 Primary Function Manifold with Single Joystick.....	252
		809.1 Primary Function Manifold with Dual Joystick.....	256
		810.1 Secondary Function Manifold.....	258
		811.1 Stabilizer Manifold.....	260
		812.1 Auxiliary Manifold.....	262
		813.1 Brake Manifold.....	264
		814.1 Hydraulic Pump.....	266

## Table of Contents (continued)

**0900 Accessories**

901.1 Road and Work Light Accessory (to serial number GTH1012-16291).....	268
901.2 Road and Work Light Accessory (from serial number GTH1012-16292).....	270
902.1 Road Light Wire Harnesses.....	272
903.1 Work Light Wire Harnesses.....	274
904.1 Air Conditioning Assembly, Perkins.....	276
905.1 Air Conditioning Assembly, John Deere.....	278
906.1 Heater/AC Blower Installation.....	280
907.1 Air Conditioning Hoses and Fittings.....	282
908.1 HVAC Unit.....	284
908.2 HVAC Unit (from serial number GTH1012-16292)...	286

**1000 Wire Harnesses**

1001. 1 Single Joystick System Harnesses.....	288
1002. 1 Dual Joystick System Harnesses.....	290
1003. 1 Engine Harnesses.....	292
1004. 1 Work and Road Light Harnesses.....	294
1005. 1 Cab Heater and HVAC Harnesses.....	296

**Indices**

Part Number Index.....	298
Part Description Index.....	306

**Cross References**

Fittings Cross Reference.....	318
-------------------------------	-----

***This Page Intentionally Left Blank***





## Required Parts

The following parts are required to perform maintenance procedures as outlined in the Genie GTH-1048, and GTH-1056 Service Manual.

Description	Part No.
Plug and Cap Kit (for ORFS fittings) .....	49613
Transmission Oil Filter, Dana.....	7-126-112
Element - Hydraulic Return Filter .....	117379
Maintenance Manual, Dana Axle.....	97488
Maintenance Manual, Dana Transmission.....	97489

### JD-4045 Tier III Models:

Air Filter Element (primary) .....	7-109-04
Air Filter Safety Element.....	7-109-14
Primary Fuel Filter .....	115328
Safety Fuel Filter.....	130493
Engine Oil Filter, JD4045T .....	7-183-184
Operator's Manual, JD4045T .....	108444
Workshop Manual, JD4045T.....	115057

### Deutz TCD3.6 Models:

Air Filter Element (primary) .....	7-109-04
Air Filter Safety Element.....	7-109-14
Fuel Filter Element .....	823057
Fuel Pre-filter .....	236260
Engine Oil Filter.....	49924
Operator's Manual.....	218707

### Perkins 1104D-E44TA Models:

Fuel Filter .....	130564
Fuel Pre-Filter Element.....	214546
Oil Filter .....	102632
Air Filter Element (primary) .....	7-109-04
Air Filter Safety Element.....	7-109-14
Workshop Manual .....	117764
Operator's Manual.....	117765

### Perkins 1204E-E44TA Models:

Fuel Filter Element .....	1251455
Fuel Pre-Filter Element.....	1251454
Oil Filter .....	219529
Air Filter Element (primary) .....	220063
Air Filter Safety Element.....	220064
Crankcase Breather Element.....	825601
Operation and Maintenance Manual .....	218726

## Recommended Parts

Description	Part No.
Genie Blue Paint, 1 Gallon .....	32150
Genie Blue Paint, 12 Ounce Aerosol.....	1484
Genie Gray Paint, 1 Gallon.....	32151
Genie Gray Paint, 12 Ounce Aerosol .....	1268

Genie also offers the following support documents:

AEM Safety Manual.....	108382
EMI Safety Manual .....	27581
Manual of Responsibilities ANSI A92.5 .....	31779
Workshop Manual, JD4045T.....	115057

## How To Order Parts

### How to Order Parts

Please be prepared with the following information when ordering replacement parts for your Terex or Genie product.

- Machine model number
- Machine serial number
- Part number
- Part description and quantity
- Purchase order number
- "Ship to" address
- Desired method of shipment
- Name and telephone number of the authorized distributor in your area.

Use the Service Parts Fax Order Form on the next page and fax your order to our Parts Department.

If you don't know the name of your authorized distributor, or if your area is not currently serviced by an authorized distributor, please call Terex or Genie Industries.

### Machine Information

\_\_\_\_\_

Model

\_\_\_\_\_

Serial Number

\_\_\_\_\_

Date of Purchase

\_\_\_\_\_

Authorized Genie Distributor

\_\_\_\_\_

Phone Number

#### North America

Telephone (425)881-1800  
 Toll Free (800)536-1800 in US and Canada  
 Fax (425)556-8659  
 Toll Free fax (888)274-6192  
 Email [AWP.PartsSalesPO@terex.com](mailto:AWP.PartsSalesPO@terex.com)  
<http://genielift.com/en>

#### EMEAR (Europe, Middle East, Africa and Russia)

Telephone (31)(165)519 313  
 Fax (31)(165)511 148  
<http://genielift.co.uk>

#### Asia Pacific (Genie Singapore)

Telephone +65 6692 7777  
 Fax +65 6261 8893  
<http://genielift.com.sg/>

#### Australia

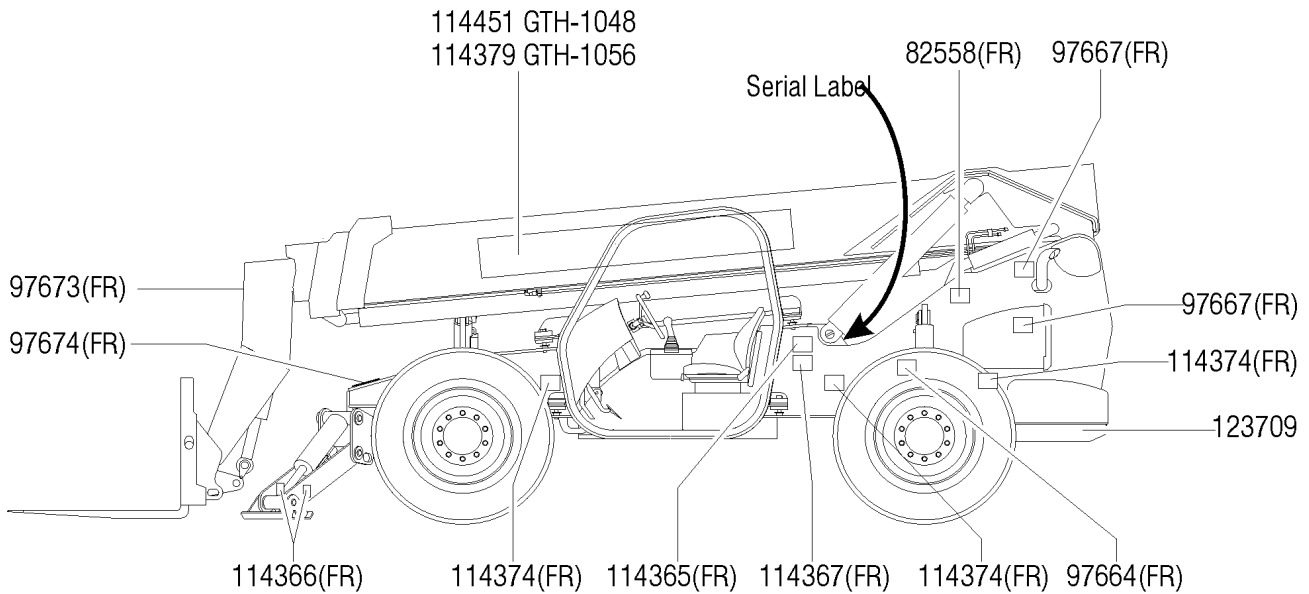
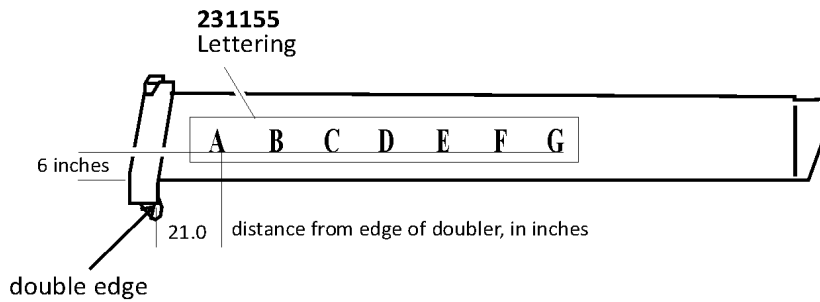
Telephone (61)(7)3456 4444  
 Fax (61)(7)3456 4466  
<http://genielift.com.au>

#### South America

Telephone (55)(11)4082 5600  
 Fax (55)(11)4082 5630



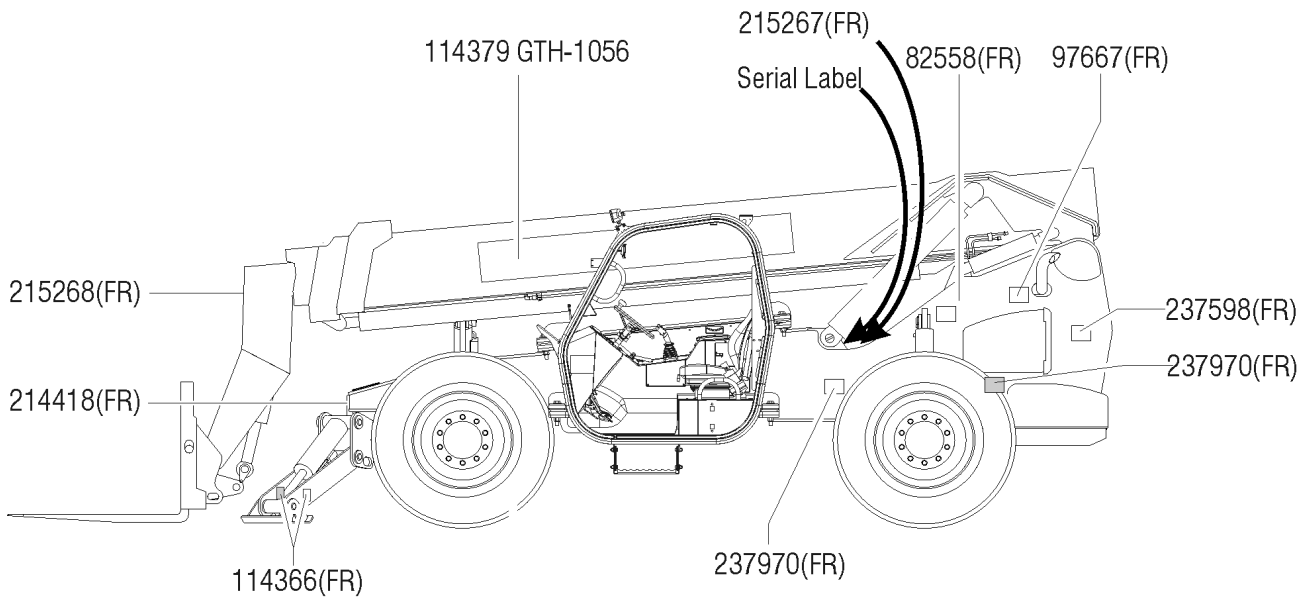
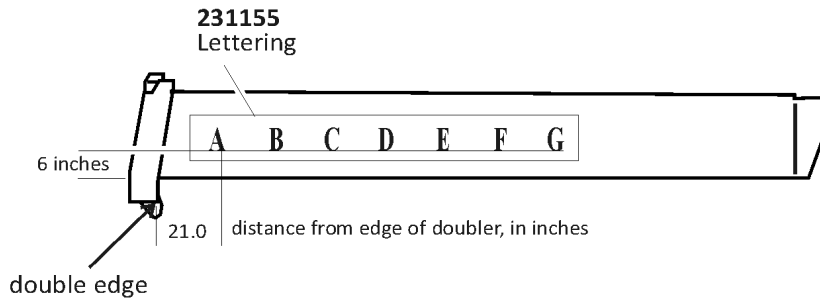
101.1 Decals with Words, Cab Side (to SN GTH1012-16291)



## 101.1 Decals with Words, Cab Side (to SN GTH1012-16291)

Item	Part No.	Description	Qty.
--	238312GT	DECAL KIT,WORDS, 1056,COMPLETE	
1	82558GT	DECAL,WARN,SKIN INJECTION HAZ*.....2	2
2	97664GT	Warning - Crush Hazard, Moving Parts...1	1
3	97667GT	DECAL,WARN,BURN HAZARD.....3	3
4	97673GT	Danger - Fall Hazard, No Riders.....2	2
5	97674GT	Warning - Crush Hazard, Overhead Parts.....1	1
6	114365GT	DECAL,BODYCRUSH,ROLLING MACHIN.....2	2
7	114366GT	Danger - Crush Hazard, Stabilizers.....4	4
8	114367GT	DECAL,FALLING OBJECT HAZARD....2	2
9	114374GT	DECAL,TIRE ROTATE,CRUSH.....6	6
10	114379GT	DECAL,COSMETIC,GENIE GTH-1056...2	2
11	123709GT	DECAL,GRAY VINYL, SHAPED.....1	1
12	231155GT	DECAL, A-G, GTH1056, WHITE.....1	1

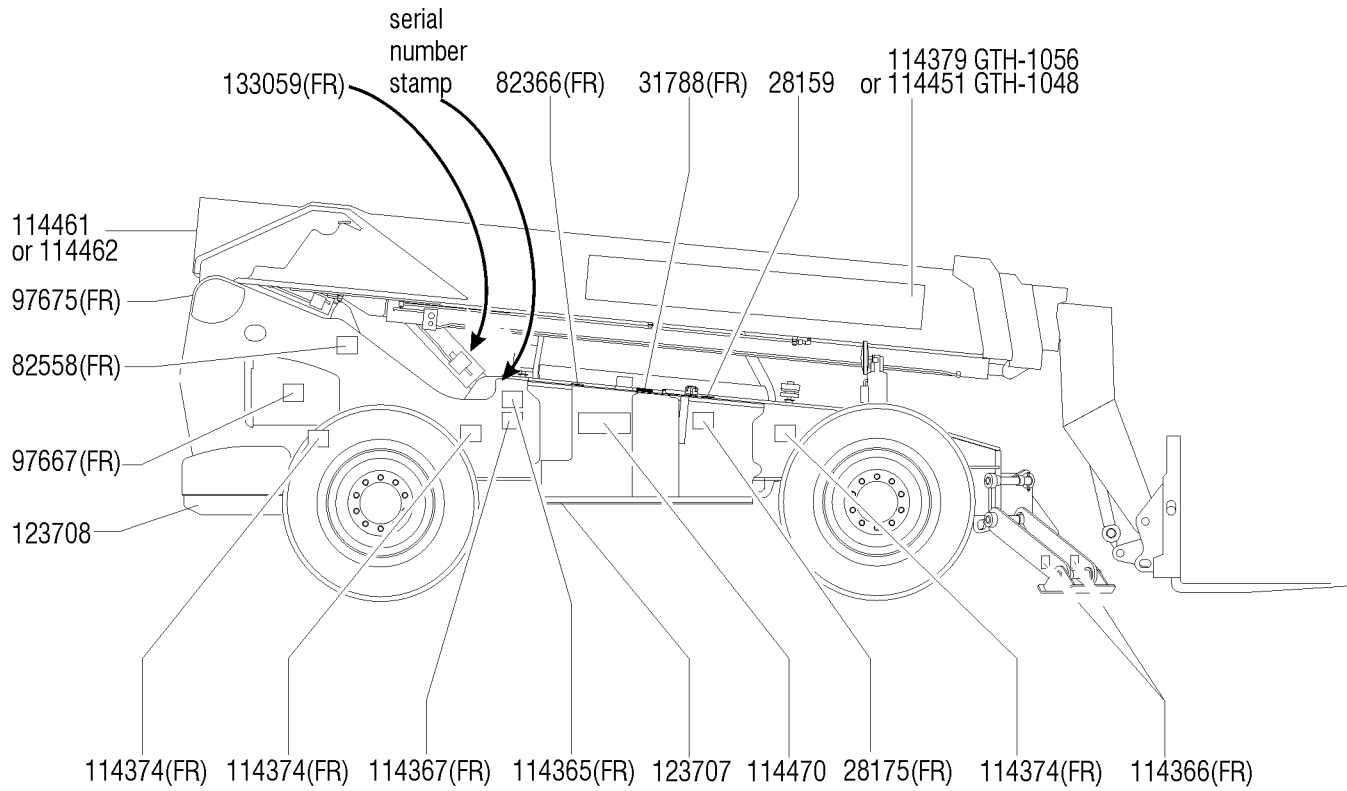
101.2 Decal with Words, Cab Side (from GTH1012-16292)



## 101.2 Decal with Words, Cab Side (from GTH1012-16292)

Item	Part No.	Description	Qty.
--		DECAL KIT,WORDS, 1056,COMPLETE	
1	231155GT	DECAL, A-G, GTH1056, WHITE.....1	1
2	114379GT	DECAL,COSMETIC,GENIE GTH-1056...1	1
3	215267GT	Label - Product Registration.....2	2
4	82558GT	DECAL,WARN,SKIN INJECTION HAZ*.....2	2
5	97667GT	DECAL,WARN,BURN HAZARD.....2	2
6	237598GT	DECAL,BODY CRUSH,ROLLING MACHINE.....2	2
7	237970GT	DECAL,WARNING,CRUSH HAZARD,TIRES&CHASSIS.....4	4
8	114366GT	Danger - Crush Hazard, Stabilizers.....4	4
9	215268GT	DECAL, FALL HAZARD.....2	2
10	214418GT	DECAL, 2 DECAL COMBO.....1	1

102.1 Decals with Words, Hydraulic Tank Side (to SN GTH1012-16291)

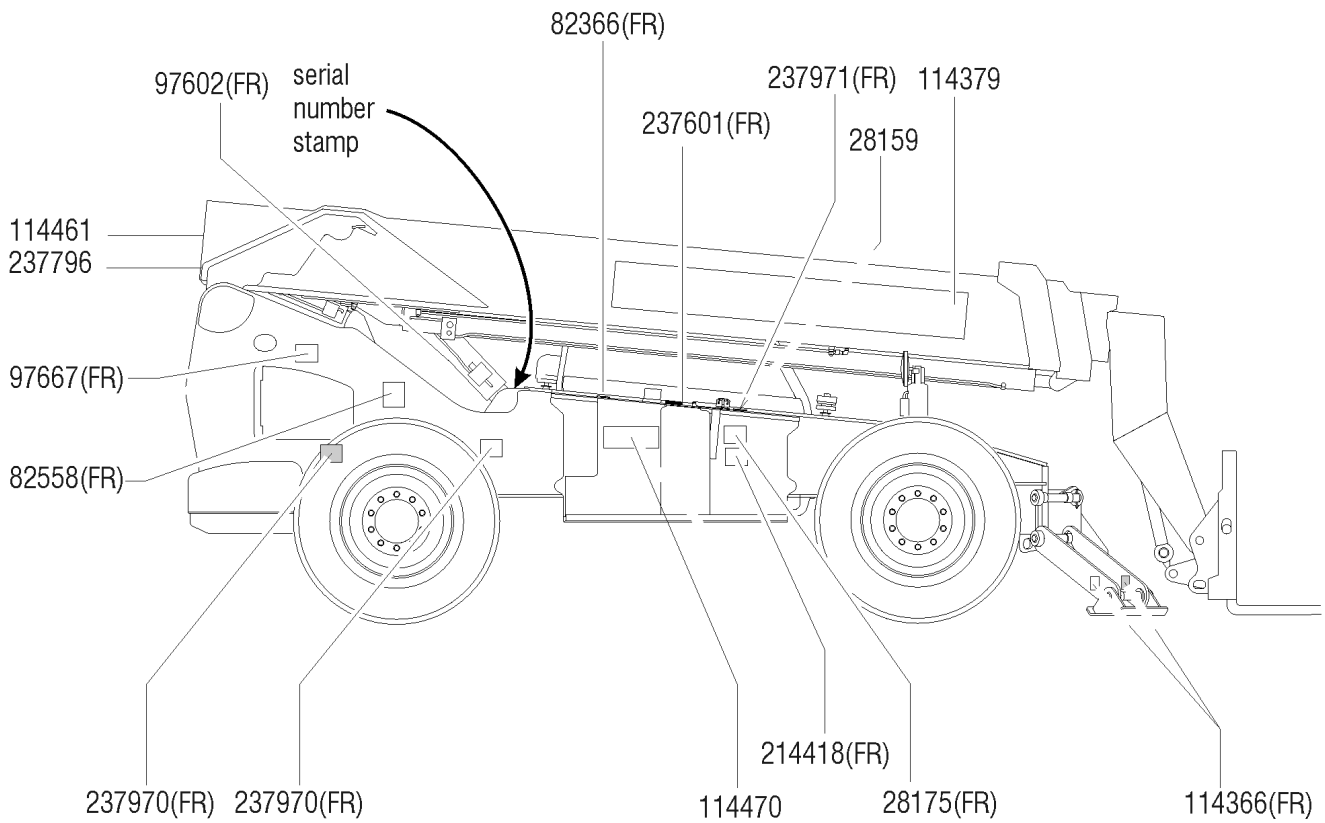




## 102.1 Decals with Words, Hydraulic Tank Side (to SN GTH1012-16291)

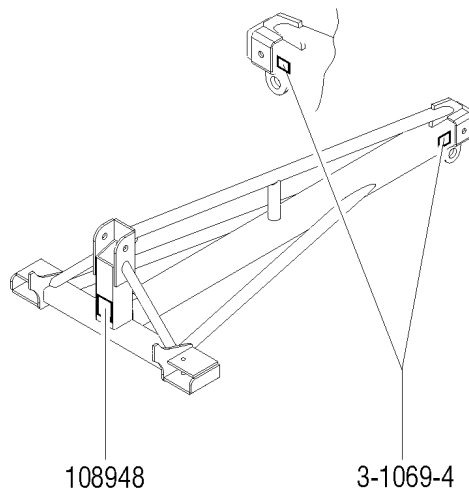
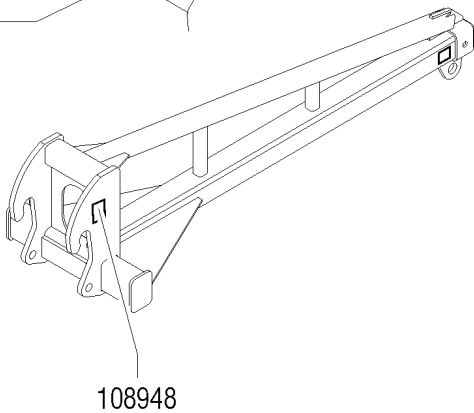
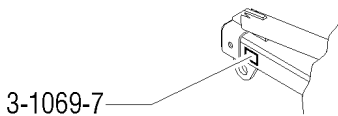
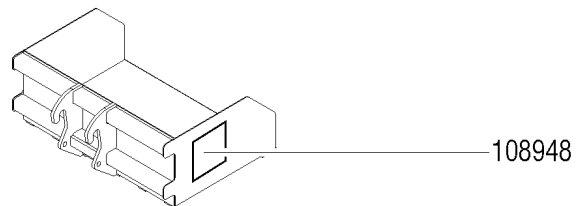
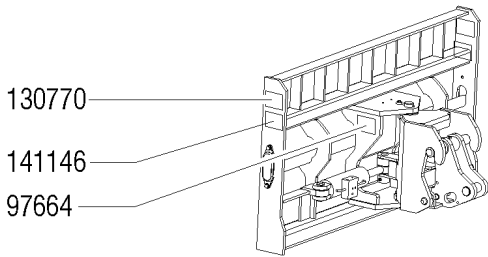
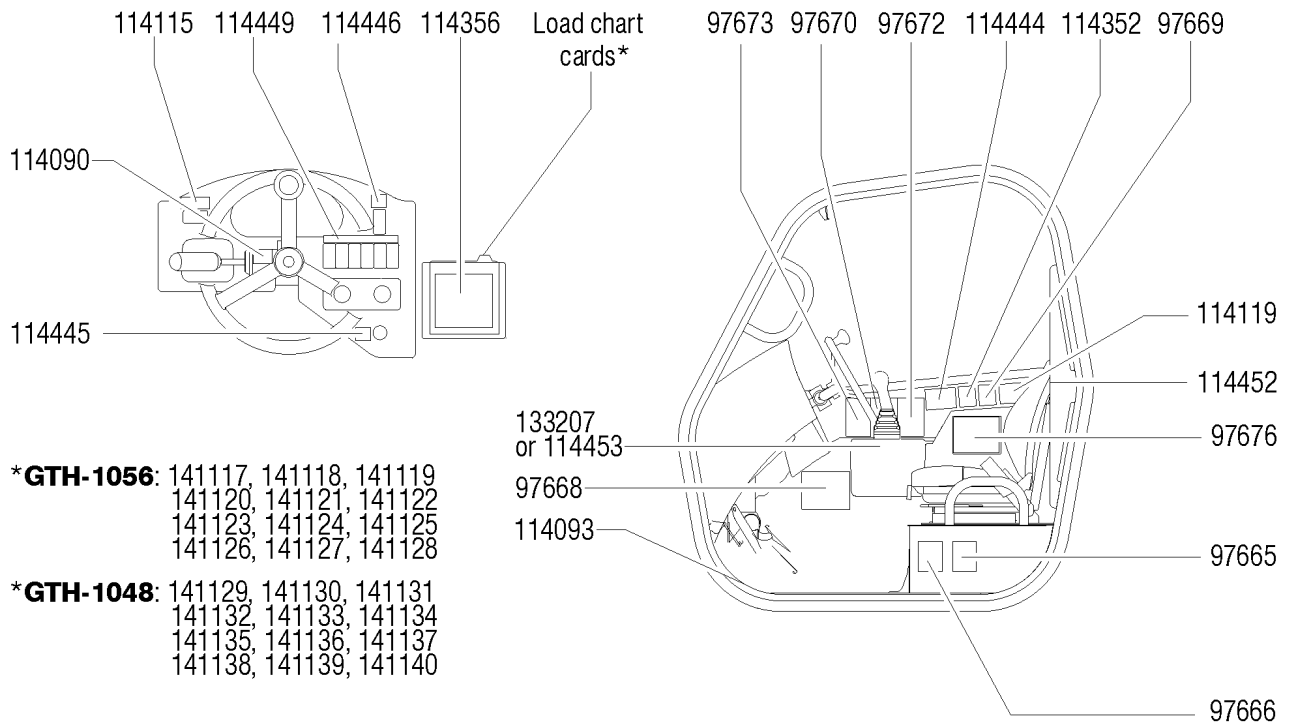
Item	Part No.	Description	Qty.
--		Ref. DECAL KIT,WORD,1056,COMPLETE (refer to 101.1)	
1	28159GT	DECAL,DIESEL.....	1
2	28175GT	DECAL,WARNING-COMPART ACCESS.....	1
3	31788GT	DECAL,DANGER,BATTERY SAFETY***.....	1
4	82366GT	DECAL,CHEVRON RANDO HD.....	1
5	82558GT	DECAL,WARN,SKIN INJECTION HAZ*.....	2
6	97667GT	DECAL,WARN,BURN HAZARD.....	3
7	97675GT	DECAL,WARN,EXPLSION/BURN HAZ...1	1
8	114365GT	DECAL,BODYCRUSH,ROLLING MACHIN.....	2
9	114366GT	Danger - Crush Hazard, Stabilizers.....	4
10	114367GT	DECAL,FALLING OBJECT HAZARD....	2
11	114374GT	DECAL,TIRE ROTATE,CRUSH.....	6
12	114379GT	DECAL,COSMETIC,GENIE GTH-1056...2	2
13	114461GT	DECAL,GTH 1056 STACKED,WHITE....	1
14	114470GT	Cosmetic - Genie Logo.....	1
15	123708GT	DECAL,GRAY VINYL, SHAPED.....	1
16	133059GT	DECAL,WARNING-EXPLOSION/ENGINE.1	1
17	114707GT	DECAL,GRAY VINYL,RECT SHAPE.....	1

102.2 Decals with Word, Hydraulic Tank Side (from GTH1012-16292)



**No Parts List associated  
with this diagram**

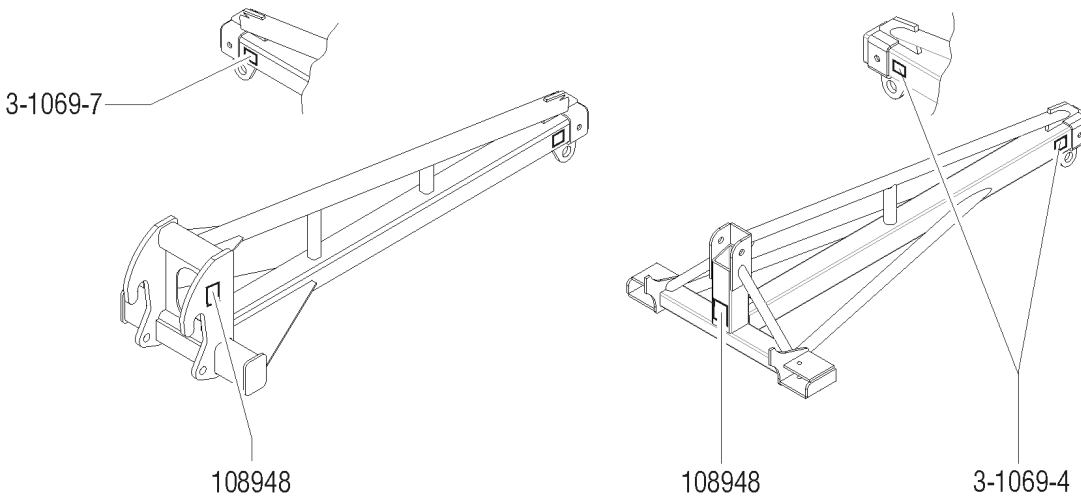
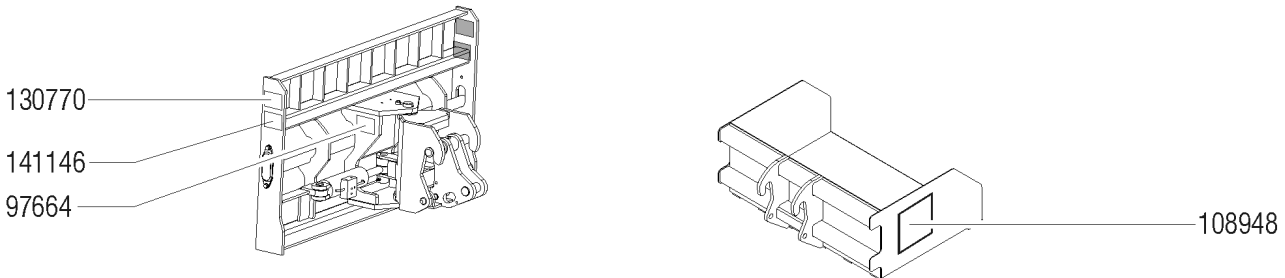
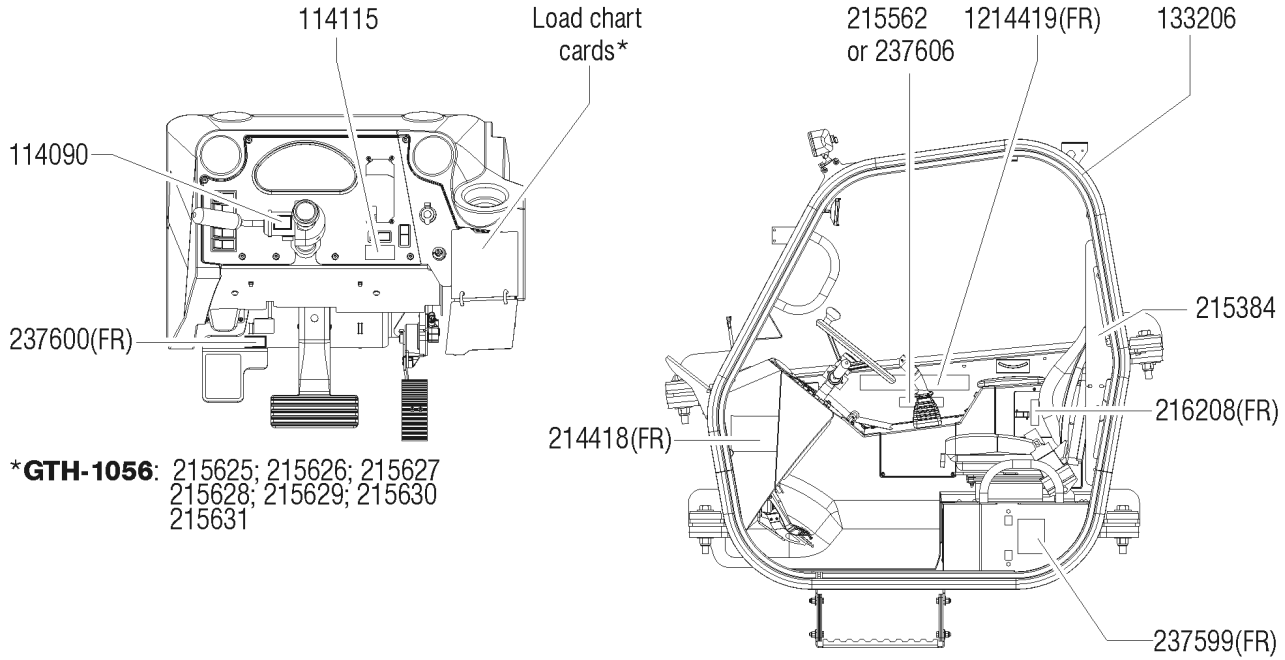
103.1 Decals with Words, Cab and Attachments (to SN GTH1012-16291)



## 103.1 Decals with Words, Cab and Attachments (to SN GTH1012-16291)

Item	Part No.	Description	Qty.	Item	Part No.	Description	Qty.
--		Ref. DECAL KIT,WORDS, 1056,COMPLETE (refer to 101.1)		39	141146GT	DECAL,48" FORKS ONLY,SWING.....2	
1	3-1069-4GT	DECAL,TRUSS BOOM.....2					
2	3-1069-7GT	DECAL,TRUSS BOOM.....2					
3	97664GT	Warning - Crush Hazard, Moving Parts...1					
4	97665GT	DECAL,WARN,WEAR SEAT BELT.....1					
5	97666GT	DECAL,WARN,READ MANUAL.....1					
6	97668GT	DECAL,WARN,OVERTURN HAZARD....1					
7	97669GT	DECAL,WARN,FALLING OBJECT HAZ.....1					
8	97670GT	DECAL,DANGER,CRUSH HAZARD.....1					
9	97672GT	DECAL,DANGER,CRUSH HAZARD.....1					
10	97673GT	Danger - Fall Hazard, No Riders.....2					
11	97676GT	DECAL,DANGER,ELECTRICAL HAZARD.....1					
12	108948GT	DECAL,ATTACHMENT SERIAL LABEL.....1					
13	114090GT	DECAL,TRANSMISSION CONTROL.....1					
14	114093GT	DECAL,AXLE DIFFERENTIAL LO.....1					
15	114115GT	DECAL,STEERING SELECTOR.....1					
16	114119GT	DECAL,OVERTURNING HAZARD.....1					
17	114352GT	DECAL,OVERTURNING,KEEP LOAD LO.....1					
18	114356GT	DECAL,WARNING,NO LOAD CHART....1					
19	114444GT	DECAL,AUXILIARY HYDRAULICS.....1					
20	114445GT	DECAL,LABEL,IGNITION.....1					
21	114446GT	DECAL,LABEL,PARKING BRAKE.....1					
22	114449GT	DECAL,LABEL,DASH ACCESSORIES...1					
23	114452GT	DECAL,LABEL,FOBS/ROPS.....1					
24	114453GT	DECAL,LABEL,DUAL CONTROLLER....1					
25	130770GT	DECAL,TRUSS BOOM WARNING.....2					
26	133207GT	Label - Single Controller.....1					
27	141117GT	CARD,LOAD RNG,GTH1056,SU.....1					
28	141118GT	CARD,LOAD RNG,GTH1056,SD.....1					
29	141119GT	CARD,LOAD RNG,GTH1056,SU,ROT....1					
30	141120GT	CARD,LOAD RNG,GTH1056,SD,ROT....1					
31	141121GT	CARD,LOAD RNG,GTH1056,SU,SWG...1					
32	141122GT	CARD,LOAD RNG,GTH1056,SD,SWG...1					
33	141123GT	CARD,LOAD RNG,GTH1056,CAT,SU....1					
34	141124GT	CARD,LOAD RNG,GTH1056,CAT,SD....1					
35	141125GT	CARD,LOAD RNG,GTH1056,SU,TB.....1					
36	141126GT	CARD,LOAD RNG,GTH1056,SD,TB.....1					
37	141127GT	CARD,LOAD RNG,GTH1056,SU,RB.....1					
38	141128GT	CARD,LOAD RNG,GTH1056,SD,RB.....1					

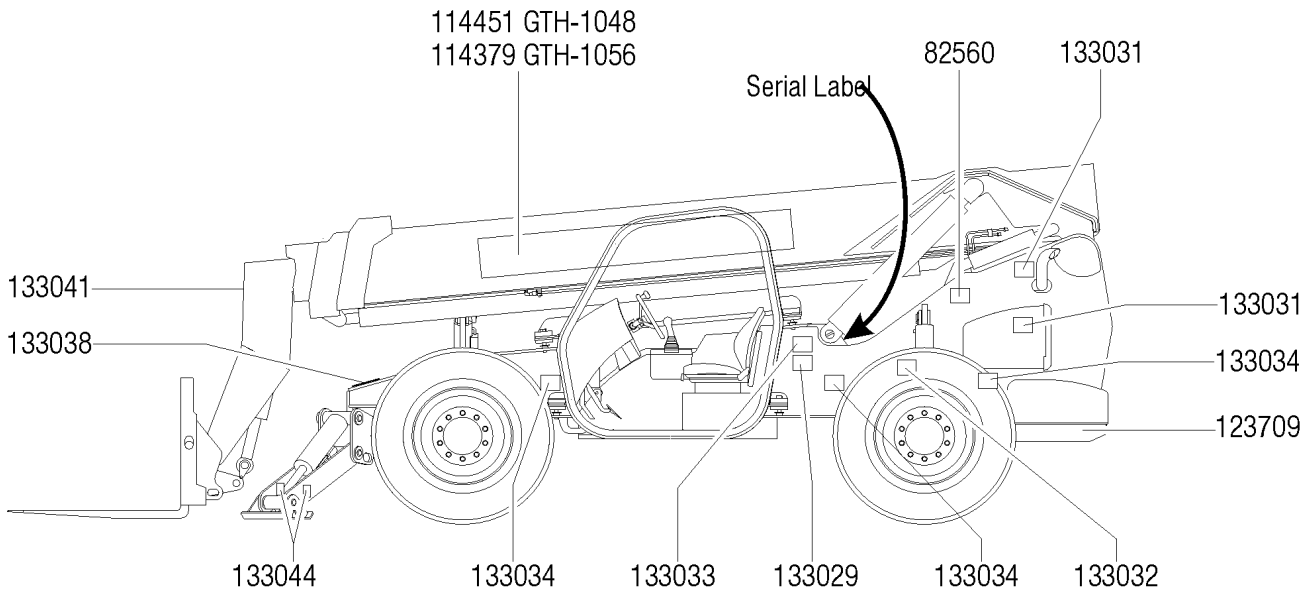
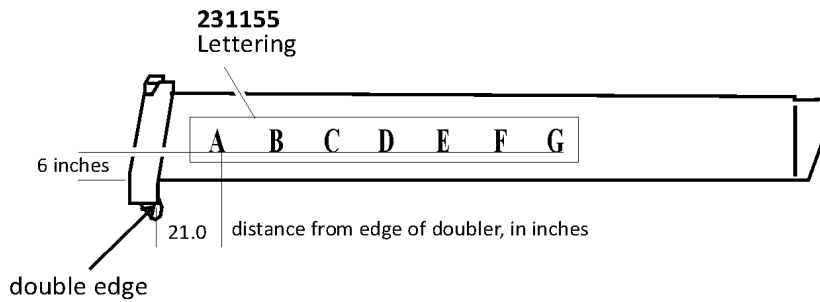
103.2 Decals with Words, Cab and Attachments (from GTH1012-16292)



## 103.2 Decals with Words, Cab and Attachments (from GTH1012-16292)

Item	Part No.	Description	Qty.	Item	Part No.	Description	Qty.
1	28159GT	DECAL,DIESEL.....	1	39	237796GT	DECAL,GENIE LOGO,3X9 WHITE.....	1
2	28175GT	DECAL,WARNING-COMPART ACCESS.....	1	40	237970GT	DECAL,WARNING,CRUSH HAZARD,TIRES&CHASSIS.....	1
3	82366GT	DECAL,CHEVRON RANDO HD.....	1	41	237971GT	DECAL,DANGER,EXPLOSIONBURN,DIESEL FUELING.....	1
4	82558GT	DECAL,WARN,SKIN INJECTION HAZ*.....	2	42	1255823GT	DECAL,TOP GEAR LOCKOUT,GC2,ZF.....	1
5	97602GT	DECAL,EXPLOSION HAZARD.....	1	43	826345GT	DECAL,ULS DIESEL ONLY,TIER 4.....	1
6	97664GT	Warning - Crush Hazard, Moving Parts...	1	44	1253091GT	DECAL,KEY IGNITION, 8/10K.....	1
7	97667GT	DECAL,WARN,BURN HAZARD.....	2				
8	114090GT	DECAL,TRANSMISSION CONTROL.....	1				
9	114115GT	DECAL,STEERING SELECTOR.....	1				
10	114366GT	Danger - Crush Hazard, Stabilizers.....	2				
11	114379GT	DECAL,COSMETIC,GENIE GTH-1056...	2				
12	114461GT	DECAL,GTH 1056 STACKED,WHITE.....	1				
13	114083GT	DECAL,COSMETIC,GENIE LOGO,WHT.....	1				
14	130770GT	DECAL,TRUSS BOOM WARNING.....	1				
15	133206GT	DECAL,OPEN WINDOW INST.....	1				
16	141146GT	DECAL,48" FORKS ONLY,SWING.....	1				
17	214418GT	DECAL, 2 DECAL COMBO.....	3				
18	214419GT	DECAL, 6 DECAL COMBO.....	1				
19	215267GT	Label - Product Registration.....	1				
20	215268GT	DECAL, FALL HAZARD.....	1				
21	215384GT	DECAL, LABEL, FOPS/ROPS.....	1				
22	215625GT	Load Chart, GTH-1056, 1-2.....	1				
23	215626GT	Load Chart, GTH-1056, 2-3.....	1				
24	215627GT	Load Chart, GTH-1056, 3-4.....	1				
25	215628GT	Load Chart, GTH-1056, 4-5.....	1				
26	215629GT	Load Chart, GTH-1056, 5-6.....	1				
27	215630GT	Load Chart, GTH-1056, 6-7.....	1				
28	215631GT	Load Chart, GTH-1056, 7-8.....	1				
29	215652GT	Label - Dual Controller.....	1				
30	216208GT	DECAL DIAGNOSTIC LED FUNCTIONS.....	1				
31	219626GT	DECAL,COSMETIC,GENIE DOMED, BLK/SILVER.....	1				
32	231155GT	DECAL, A-G, GTH1056, WHITE.....	1				
33	237598GT	DECAL,BODY CRUSH,ROLLING MACHINE.....	1				
34	237599GT	DECAL,WARNING,WEAR SEAT BELT...	1				
35	237600GT	Notice - Axle Differential Lock.....	1				
36	237601GT	DECAL DANGER BATTERY SAFETY.....	1				
37	237605GT	DECAL WARNING EXPLOSION/BURN HAZARD.....	1				
38	237606GT	Label - Single Controller.....	1				

104.1 Decals with Symbols, Cab Side

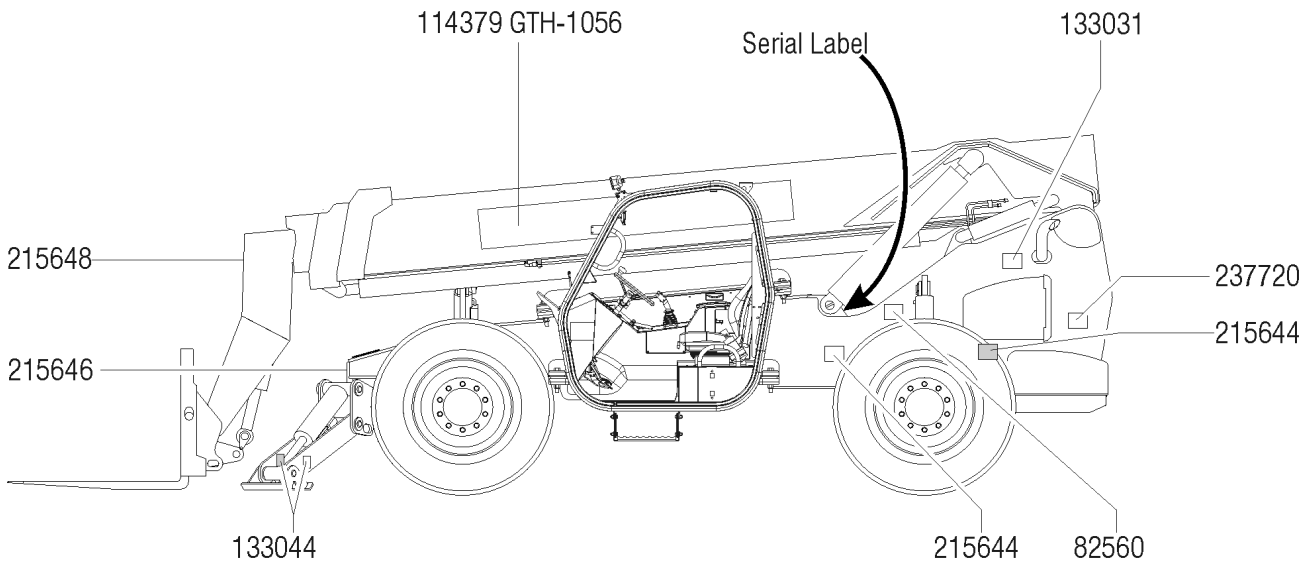
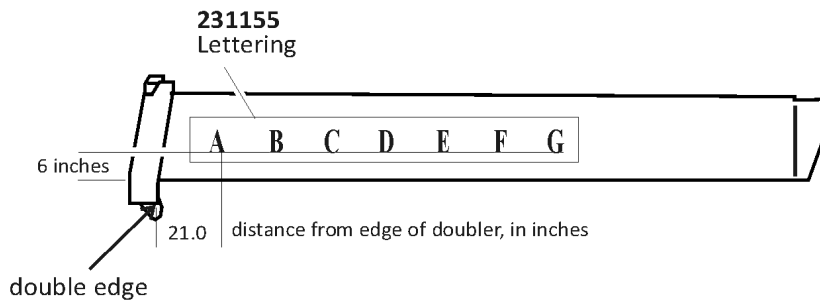




## 104.1 Decals with Symbols, Cab Side

Item	Part No.	Description	Qty.
--		DECAL KIT,SYM,1056,COMPLETE <i>(214328 will be available soon) (does not include load charts)</i>	
1	82560GT	DECAL,SYMBOL-SKIN INJECT HAZRD.....	2
2	114379GT	DECAL,COSMETIC,GENIE GTH-1056...2	
3	123709GT	DECAL,GRAY VINYL, SHAPED.....	1
4	133029GT	DECAL,FALLING OBJECT HAZARD....	2
5	133031GT	Label - Burn Hazard.....	3
6	133032GT	DECAL,CRUSH HAZ MOVING PT,SYMB.....	1
7	133033GT	DECAL,CRUSH,ROLLING MACHIN SYM.....	2
8	133034GT	DECAL,CRUSH,TIRE ROTATE,SYMB...4	
9	133038GT	DECAL,CRUSH HAZ,MOVING PTS,SYM.....	1
10	133041GT	DECAL,FALL HAZ,NO RIDERS SYMB...2	
11	133044GT	Label - Crush Hazard, Stabilizers.....	4
12	231155GT	DECAL, A-G, GTH1056, WHITE.....	1

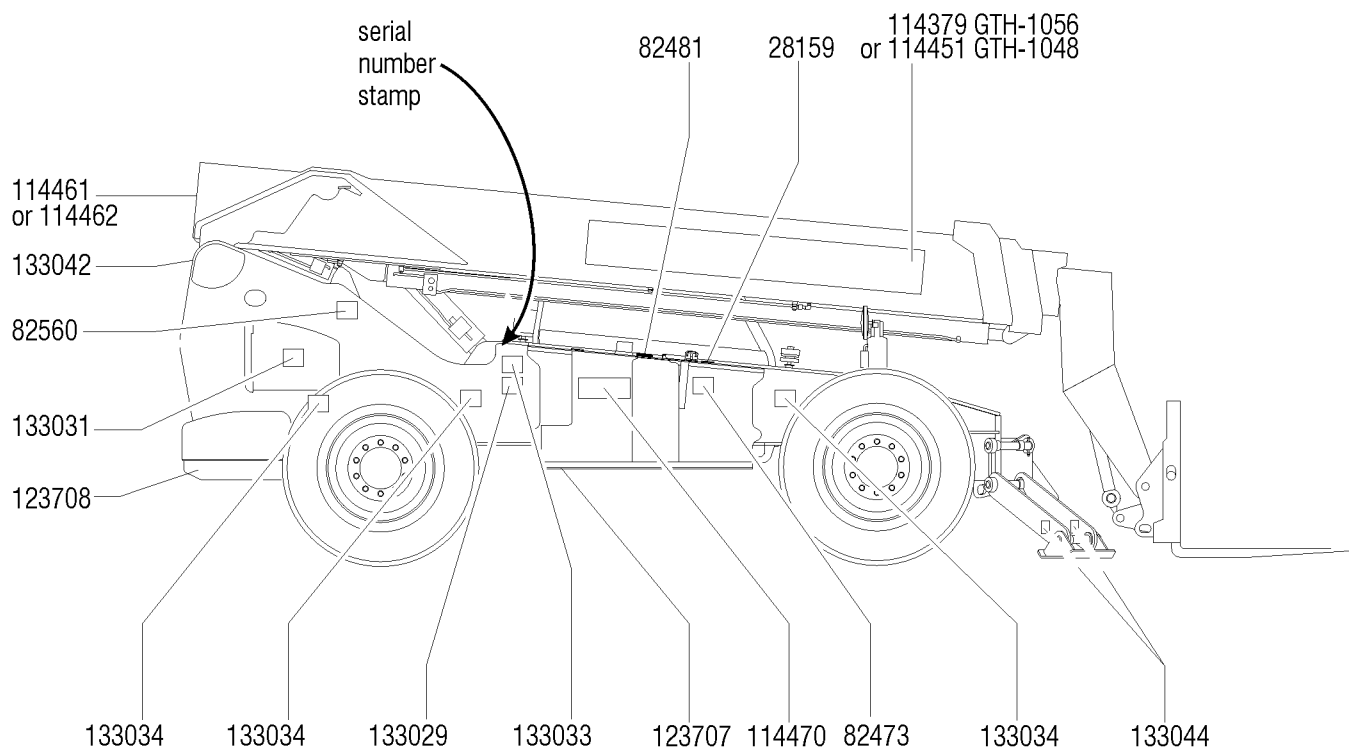
104.2 Decals with Symbols, Cab Side (from GTH1012-16292)



## 104.2 Decals with Symbols, Cab Side (from GTH1012-16292)

Item	Part No.	Description	Qty.
--		DECAL KIT,SYM,1056,COMPLETE	
1	82560GT	DECAL,SYMBOL-SKIN INJECT HAZRD.....	2
2	114379GT	DECAL,COSMETIC,GENIE GTH-1056...	2
3	133031GT	Label - Burn Hazard.....	3
4	237720GT	DECAL BODYCRUSH ROLLING MACHINE.....	1
5	215644GT	DECAL,WARNING,CRUSH HAZARD,TIRES&CHASSIS.....	2
6	133044GT	Label - Crush Hazard, Stabilizers.....	2
7	215646GT	DECAL, 2 DECAL COMBO.....	1
8	215648GT	DECAL, FALL HAZARD.....	2
9	231155GT	DECAL, A-G, GTH1056, WHITE.....	1

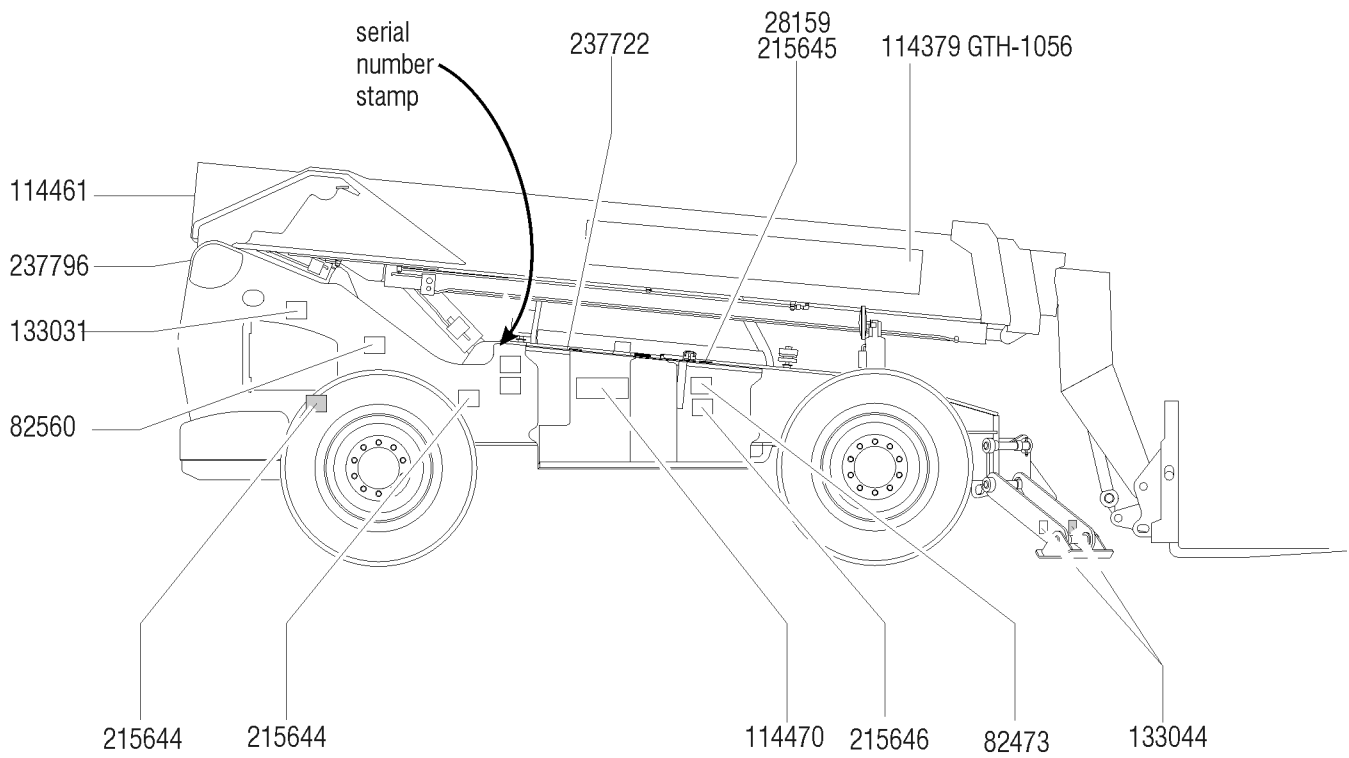
105.1 Decals with Symbols, Hydraulic Tank Side



## 105.1 Decals with Symbols, Hydraulic Tank Side

Item	Part No.	Description	Qty.
--		Ref. DECAL KIT,SYM,1056,COMPLETE (refer to 104.1)	
1	28159GT	DECAL,DIESEL.....	1
2	82473GT	DECAL,SYMBOL-COMP ACCESS.....	1
3	82481GT	DECAL,SYMBOL-BATTERY SAFETY.....	1
4	82560GT	DECAL,SYMBOL-SKIN INJECT HAZRD.....	2
5	114379GT	DECAL,COSMETIC,GENIE GTH-1056..	2
6	114461GT	DECAL,GTH 1056 STACKED,WHITE.....	1
7	114470GT	Cosmetic - Genie Logo.....	1
8	123707GT	DECAL,GRAY VINYL,RECT SHAPE.....	1
9	123708GT	DECAL,GRAY VINYL, SHAPED.....	1
10	133029GT	DECAL,FALLING OBJECT HAZARD.....	2
11	133031GT	Label - Burn Hazard.....	3
12	133033GT	DECAL,CRUSH,ROLLING MACHIN SYM.....	2
13	133034GT	DECAL,CRUSH,TIRE ROTATE,SYMB...4	
14	133042GT	DECAL,EXPLSION/BURN HAZ SYMB...1	
15	133044GT	Label - Crush Hazard, Stabilizers.....	4
16	237720GT	DECAL BODYCRUSH ROLLING MACHINE.....	2

105.2 Decals with Symbols, Hydraulic Tank Side (from GTH1012-16292)



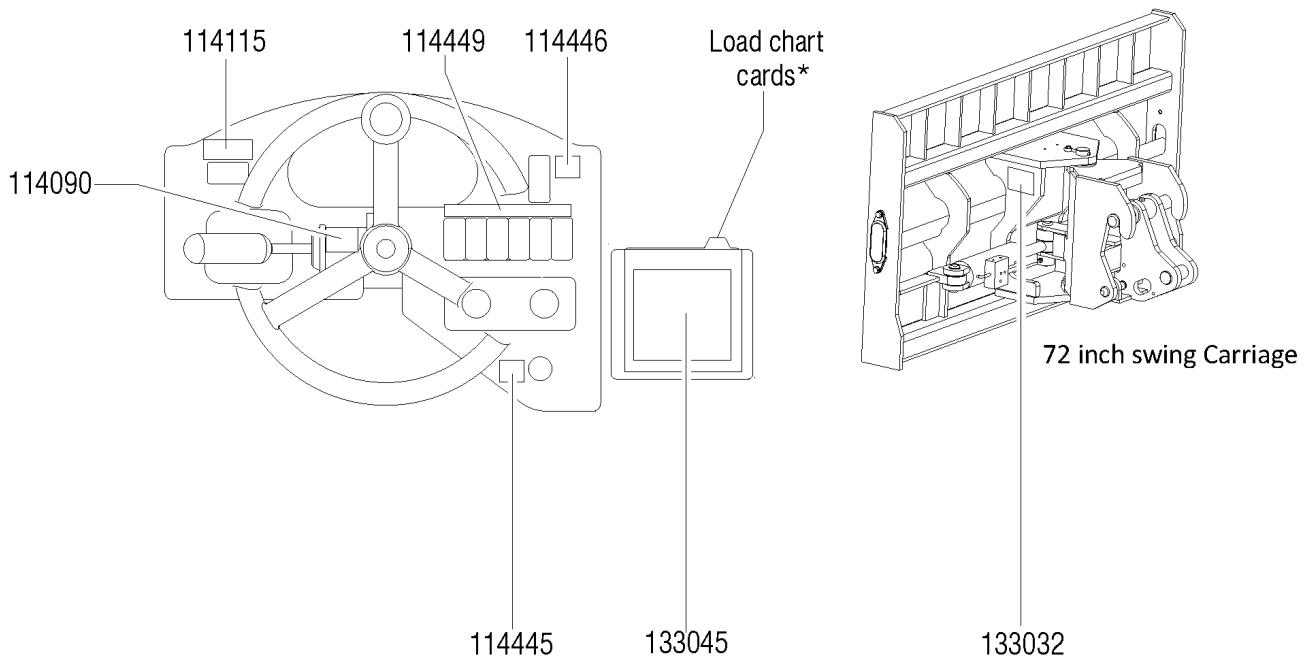
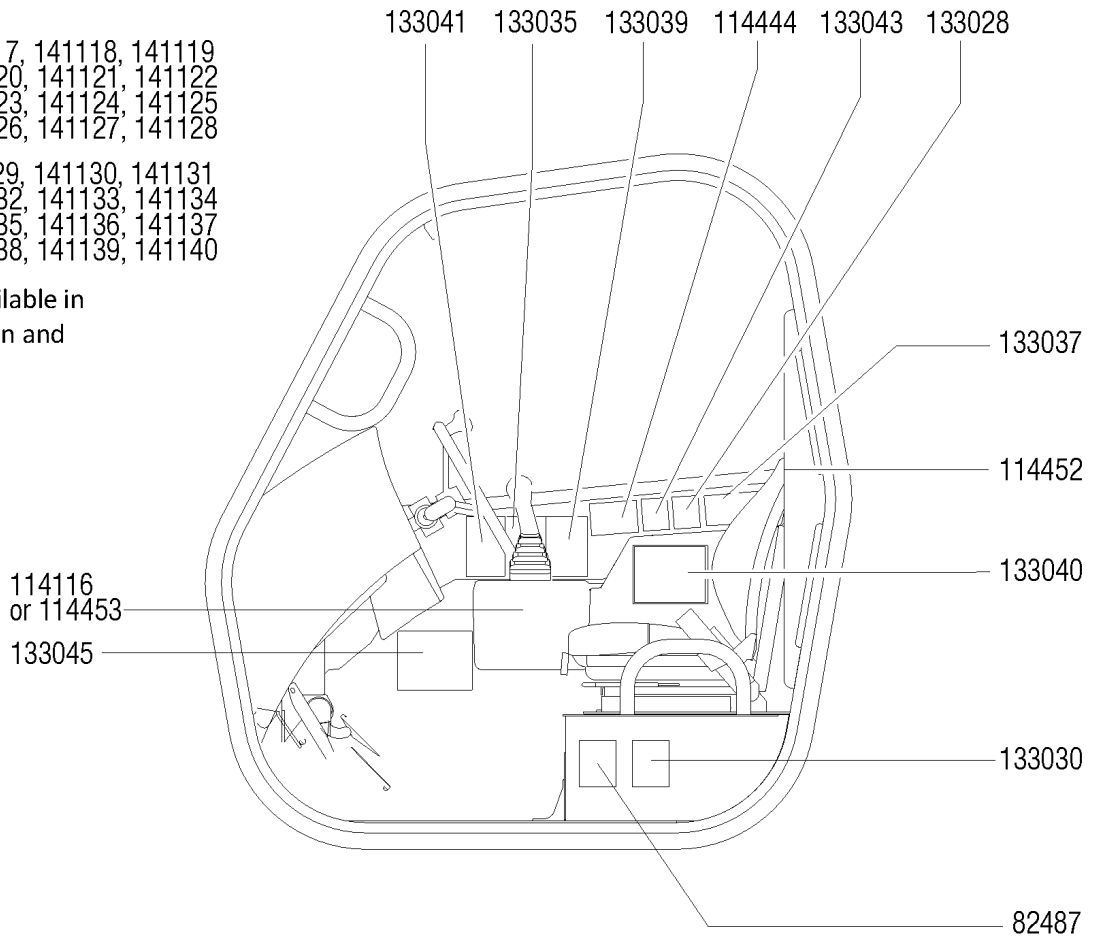
**No Parts List associated  
with this diagram**

106.1 Decals with Symbols, Cab and Attachments

\***GTH-1056:** 141117, 141118, 141119  
 141120, 141121, 141122  
 141123, 141124, 141125  
 141126, 141127, 141128

\***GTH-1048:** 141129, 141130, 141131  
 141132, 141133, 141134  
 141135, 141136, 141137  
 141138, 141139, 141140

Load charts are available in  
 Portuguese, Brazilian and  
 Spanish

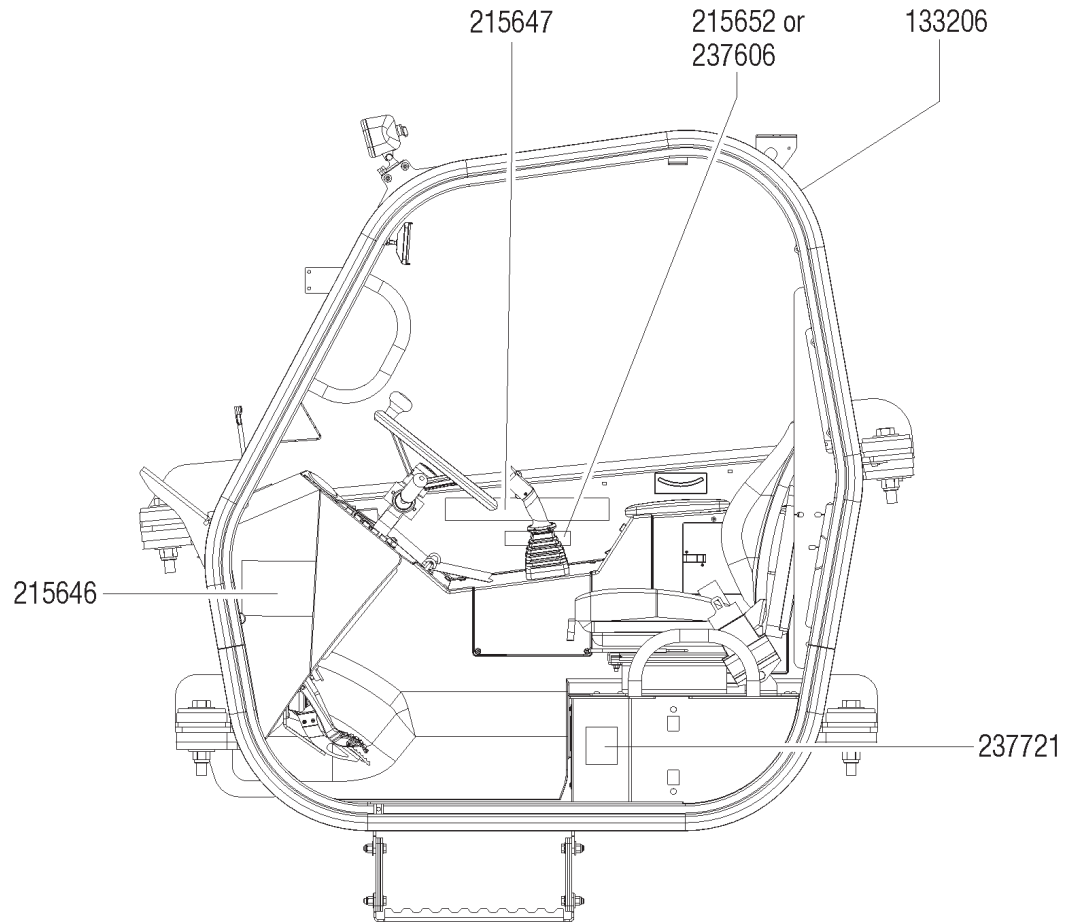




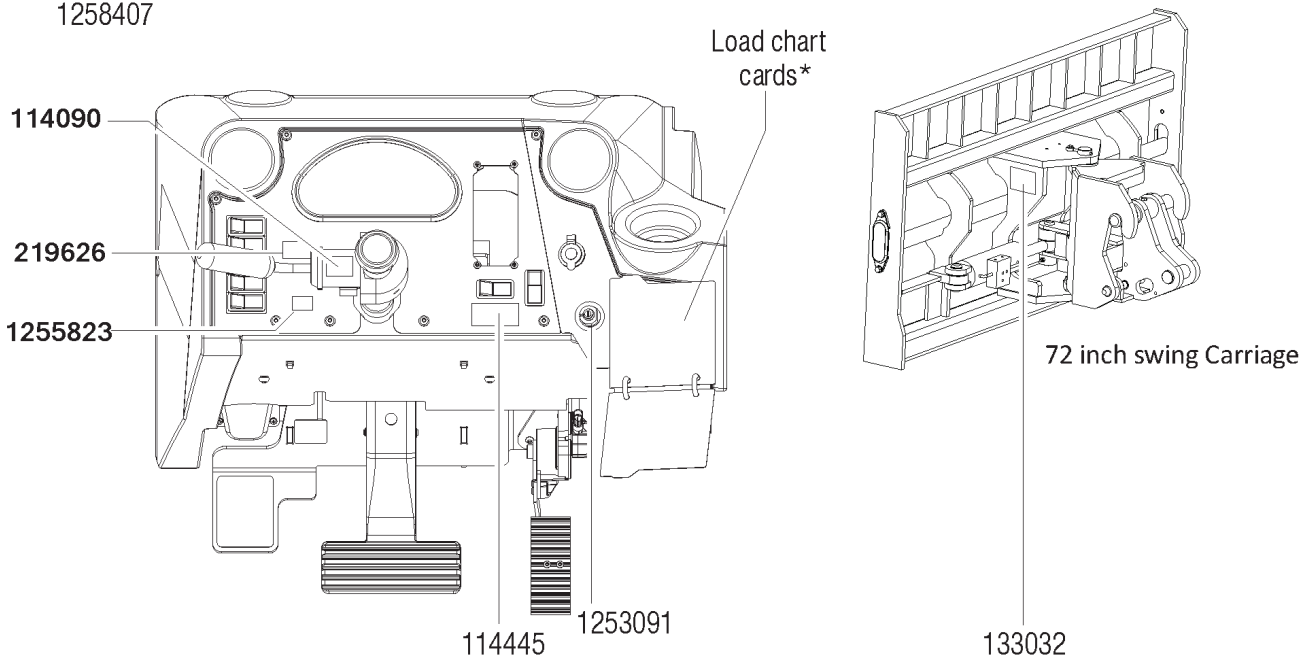
## 106.1 Decals with Symbols, Cab and Attachments

Item	Part No.	Description	Qty.
--		Ref. DECAL KIT,SYM,1056,COMPLETE (refer to 104.1)	
1	82487GT	DECAL, SYMBOL - READ THE MANUAL.....1	1
2	114090GT	DECAL,TRANSMISSION CONTROL.....1	1
5	114444GT	DECAL,AUXILIARY HYDRAULICS.....1	1
6	114445GT	DECAL,LABEL,IGNITION.....1	1
7	114446GT	DECAL,LABEL,PARKING BRAKE.....1	1
8	114449GT	DECAL,LABEL,DASH ACCESSORIES...1	1
9	114452GT	DECAL,LABEL,FOBS/ROPS.....1	1
10	114453GT	DECAL,LABEL,DUAL CONTROLLER.....1	1
11	133028GT	DECAL,FALLING OBJECT HAZ,SYMB...1	1
12	133030GT	DECAL,WEAR SEAT BELT,SYMB.....1	1
13	133032GT	DECAL,CRUSH HAZ MOVING PT,SYMB.....1	1
14	133035GT	DECAL,CRUSH HAZ,SET BRAKE SYMB.....1	1
15	133037GT	DECAL,OVERTURNING HAZ,SWAY,SYM.....1	1
16	133039GT	DECAL,CRUSH HAZ, NO RIDERS SYM.....1	1
17	133040GT	DECAL,ELECTRICAL HAZARD SYMB...1	1
18	133041GT	DECAL,FALL HAZ,NO RIDERS SYMB...2	2
19	133043GT	DECAL,OVERTURNING,KEEP LOAD LO.....1	1
20	133045GT	DECAL,NO LOAD CHART SYMB.....2	2
21	141117GT	CARD,LOAD RNG,GTH1056,SU.....1	1
22	141118GT	CARD,LOAD RNG,GTH1056,SD.....1	1
23	141119GT	CARD,LOAD RNG,GTH1056,SU,ROT....1	1
24	141120GT	CARD,LOAD RNG,GTH1056,SD,ROT....1	1
25	141121GT	CARD,LOAD RNG,GTH1056,SU,SWG...1	1
26	141122GT	CARD,LOAD RNG,GTH1056,SD,SWG...1	1
27	141123GT	CARD,LOAD RNG,GTH1056,CAT,SU.....1	1
28	141124GT	CARD,LOAD RNG,GTH1056,CAT,SD....1	1
29	141125GT	CARD,LOAD RNG,GTH1056,SU,TB.....1	1
30	141126GT	CARD,LOAD RNG,GTH1056,SD,TB.....1	1
31	141127GT	CARD,LOAD RNG,GTH1056,SU,RB.....1	1
32	141128GT	CARD,LOAD RNG,GTH1056,SD,RB.....1	1

106.2 Decals with Symbols, Cab and Attachments (from GTH1012-16292)



**\*GTH-1056:**  
 Load Chart Cards  
 215625  
 215626  
 215627  
 215628  
 215629  
 215630  
 215631  
 1258407



## 106.2 Decals with Symbols, Cab and Attachments (from GTH1012-16292)

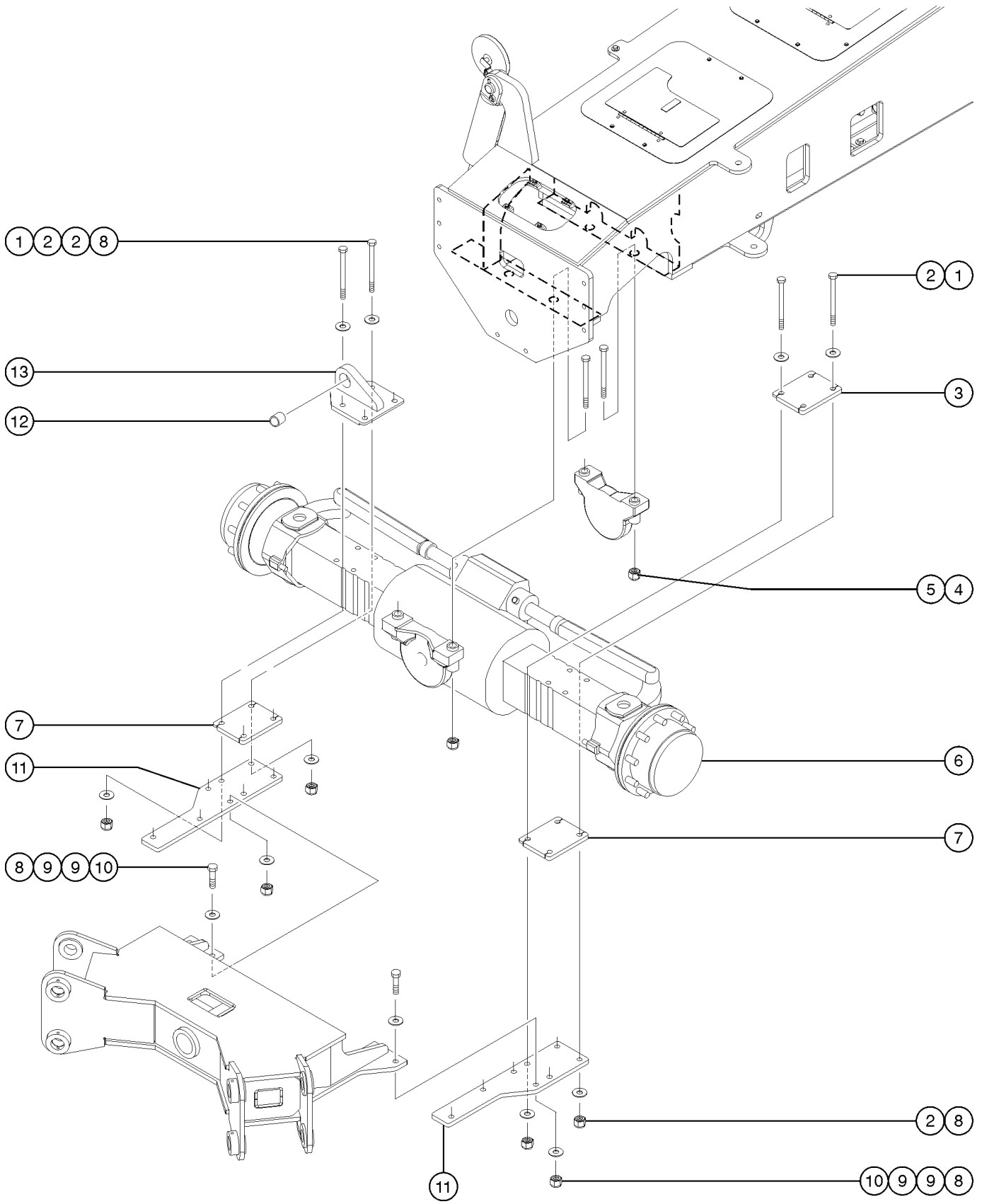
Item	Part No.	Description	Qty.
1	114090GT	DECAL,TRANSMISSION CONTROL.....1	
2	114115GT	DECAL,STEERING SELECTOR.....1	
3	219626GT	DECAL,COSMETIC,GENIE DOMED, BLK/SILVER.....1	
4	1253091GT	DECAL,KEY IGNITION, 8/10K.....1	
5	215647GT	DECAL, 2 DECAL COMBO.....1	
6	133206GT	DECAL,OPEN WINDOW INST.....1	
7	215652GT	Label - Dual Controller.....1	
8	237606GT	Label - Single Controller.....1	
9	237721GT	DECAL,WARN,WEAR SEAT BELT.....1	
10	215646GT	DECAL, 2 DECAL COMBO.....1	
11	215625GT	Load Chart, GTH-1056, 1-2.....1	
12	215626GT	Load Chart, GTH-1056, 2-3.....1	
13	215627GT	Load Chart, GTH-1056, 3-4.....1	
14	215628GT	Load Chart, GTH-1056, 4-5.....1	
15	215629GT	Load Chart, GTH-1056, 5-6.....1	
16	215630GT	Load Chart, GTH-1056, 6-7.....1	
17	215631GT	Load Chart, GTH-1056, 7-8.....1	
18	1258407GT	LOAD CHART,GTH-1056,8-9.....1	
19	133032GT	DECAL,CRUSH HAZ MOVING PT,SYMB.....2	



## 201.1 Stabilizer Assembly

Item	Part No.	Description	Qty.
1	61385GT	SCREW,HHC,1/2-13 X 5.25	
2	6198GT	NUT,NYLOCK,1/2-13	
3	117101GT	PIN,3.00DIA X 22.50LG,1HOLE.....1	1
4	117128GT	BEARING,3.00IDX3.50OD X 2.5L.....2	2
5	117070GT	WELDMENT,STABILIZER MOUNT.....1	1
6	117470GT	SCREW,HHC,3/4-10 X 3.50,GR8.....8	8
7	33278GT	WASHER,FLAT,.75 HARDENED.....8	8
8	77051GT	NUT,NYLOCK,3/4-10,GRD.8.....8	8
9	12981GT	SCREW,HHC,3/8-16 X 4.5	
10	4828GT	NUT,NYLOCK,3/8-16	
11	117104GT	PIN,2.00DIA X 13.88LG,1HOLE.....4	4
12	117080GT	WELDMENT,STABILIZER PIVOT.....1	1
13	117085GT	WELDMENT,STABILIZER ARM.....2	2
14	6605GT	SCREW,HHC,3/8-16 X 3.5,GR5	
15	117344GT	PIN,2.00DIA X 13.00LG,1HOLE.....2	2
16	117090GT	WELDMENT,STABILIZER FOOTPAD.....2	2
17	123188GT	BEARING,2.00IDX2.50OD X 1.50L.....8	8
18	1253247GT	CYLINDER,STABILIZER.....2	2
--	123893GT	VALVE,CB.CBCG-LJN@3400.....2	2
--	1258124GT	SEAL KIT,STAB CYLINDER 1253247.....1	1

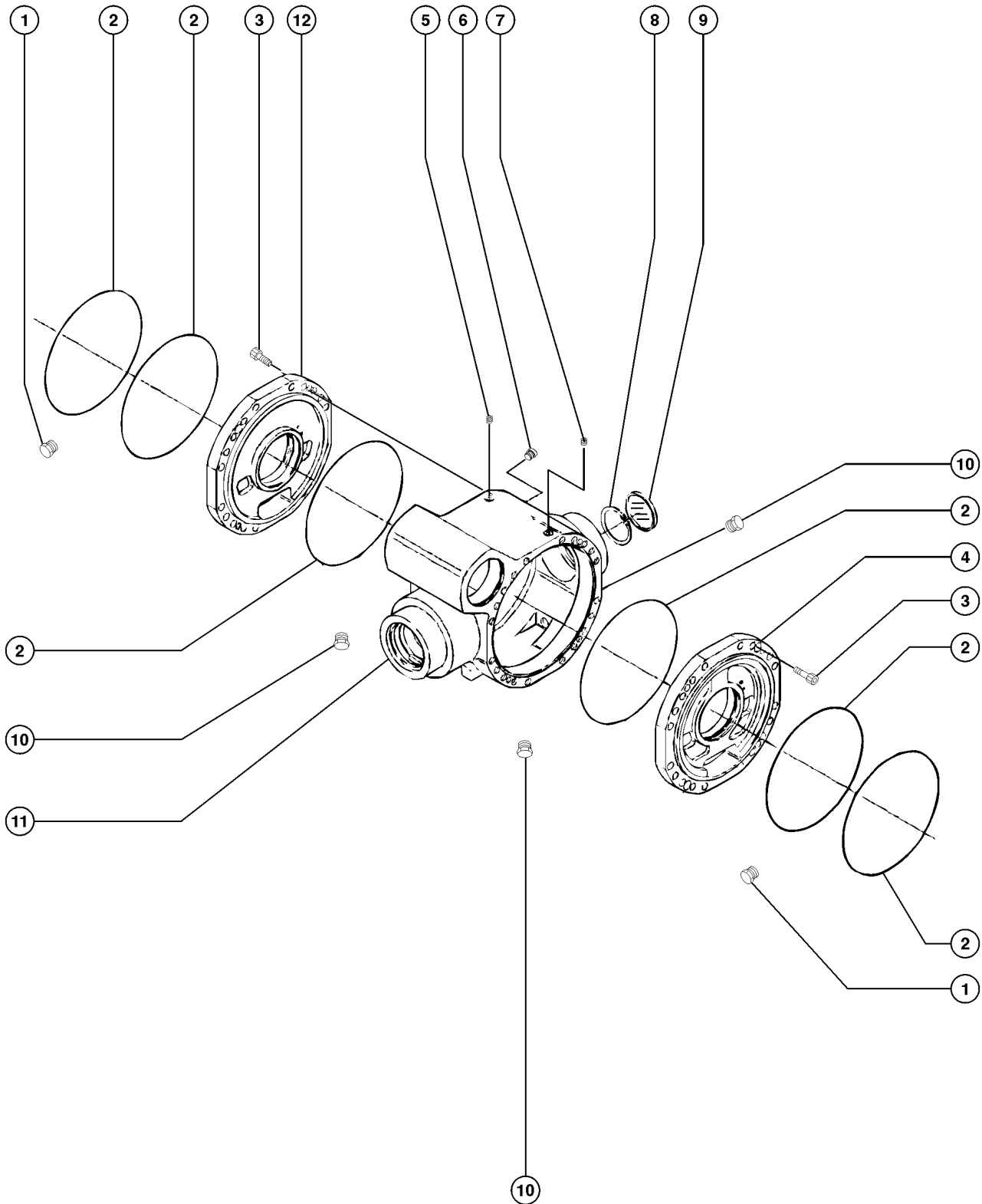
202.1 Front Axle View



## 202.1 Front Axle View

Item	Part No.	Description	Qty.
--	233804GT	10K SWAY HARDWARE KIT <i>(includes Items 1, 2, 8, 117639 shown in figure 209.1 and instructions)</i>	
--	235389GT	FENDER ASSY,SERVICE PART <i>for left or right side</i>	
1	117471GT	SCREW,HHC,3/4-10X12.00,GR8.....	8
2	74323GT	WASHER,FLAT,.812X2X.14 HARDEN	
3	117086GT	PLATE,STABILIZER SPACER.....	1
4	123189GT	NUT,NYLOCK,1-8,GR8.....	4
5	117316GT	SCREW,HHC,1-8X6.5,GR8.....	4
6	117505GT	AXLE,DANA 213 FRONT 2180 FTF..... <i>For use with machines equipped with Dana transmissions only. For ZF transmission equipped machines order part number 825931</i>	1
7	117635GT	PLATE,CYL MOUNT.....	2
8	77051GT	NUT,NYLOCK,3/4-10,GRD.8.....	16
9	33278GT	WASHER,FLAT,.75 HARDENED	
10	34348GT	SCREW,HHC,3/4-10 X 3 GRD.8.....	8
11	117069GT	PLATE,STAB/AXLE CONNECTOR.....	2
12	123188GT	BEARING,2.00IDX2.50ODX1.50L.....	1
13	117369GT	WELDMENT,LOWER CYL MOUNT.....	1

203.1 Front Axle, Central Housing

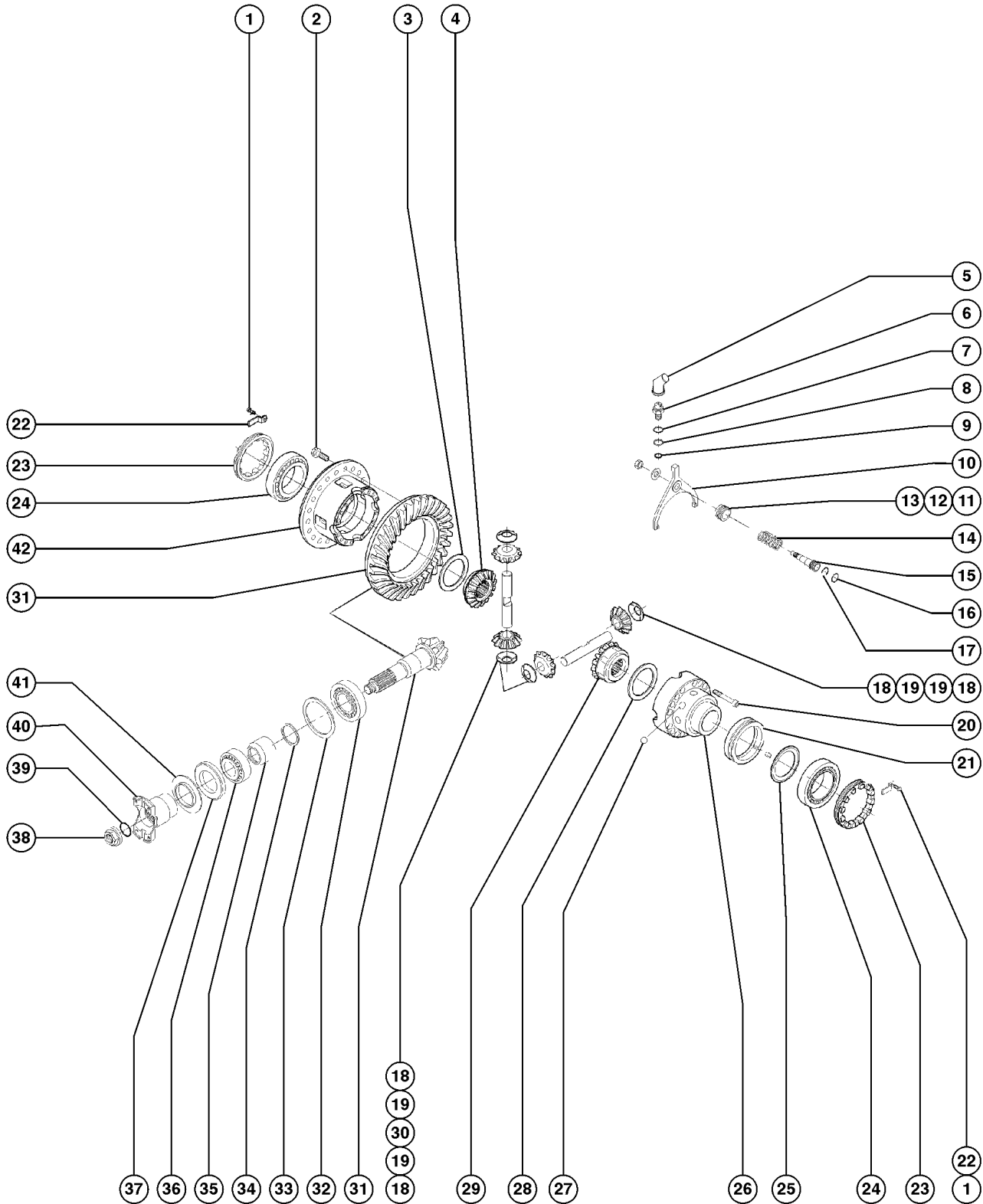




## 203.1 Front Axle, Central Housing

Item	Part No.	Description	Qty.
1	7-229-768GT	PLUG..... <i>before axle serial number R-ITA-774587</i>	2
--	1252586GT	PLUG W/SEAL..... <i>from axle serial number R-ITA-774587</i>	2
2	1252536GT	O-RING.....	4
3	7-229-767GT	CYLINDER BOLT.....	4
4	228982GT	INTERMEDIATE COVER..... <i>before axle serial number R-ITA-751709</i>	2
--	1252586GT	PLUG W/SEAL..... <i>from axle serial number R-ITA-774587</i>	2
--	1252588GT	INTERMEDIATE COVER..... <i>from axle serial number GTH1013-16791</i>	1
--	1252669GT	VENT..... <i>from axle serial number R-ITA-774587</i>	2
--	824245GT	INTERMEDIATE COVER..... <i>from axle serial number R-ITA-751709 to R-ITA-774586</i>	2
5	7-229-465GT	SNAP RING.....	1
6	7-229-526GT	PLUG.....	1
7	1252577GT	VENT.....	1
8	7-229-601GT	CIRCLIP.....	1
9	1252627GT	PLUG.....	1
10	7-229-764GT	MAGNETIC PLUG..... <i>before axle serial number N-ITA-747942</i>	2
--	141103GT	MAGNETIC PLUG..... <i>from axle serial number N-ITA-747942</i>	1
11	7-229-929GT	HOUSING,FRONT AXLE..... <i>before axle serial number N-ITA-74942</i>	1
--	1252636GT	HOUSING,AXLE..... <i>from axle serial number N-ITA-747942</i>	1
12	1252589GT	INTERMEDIATE COVER "DIFF SIDE".... <i>from axle serial number GTH1013-16791</i>	1

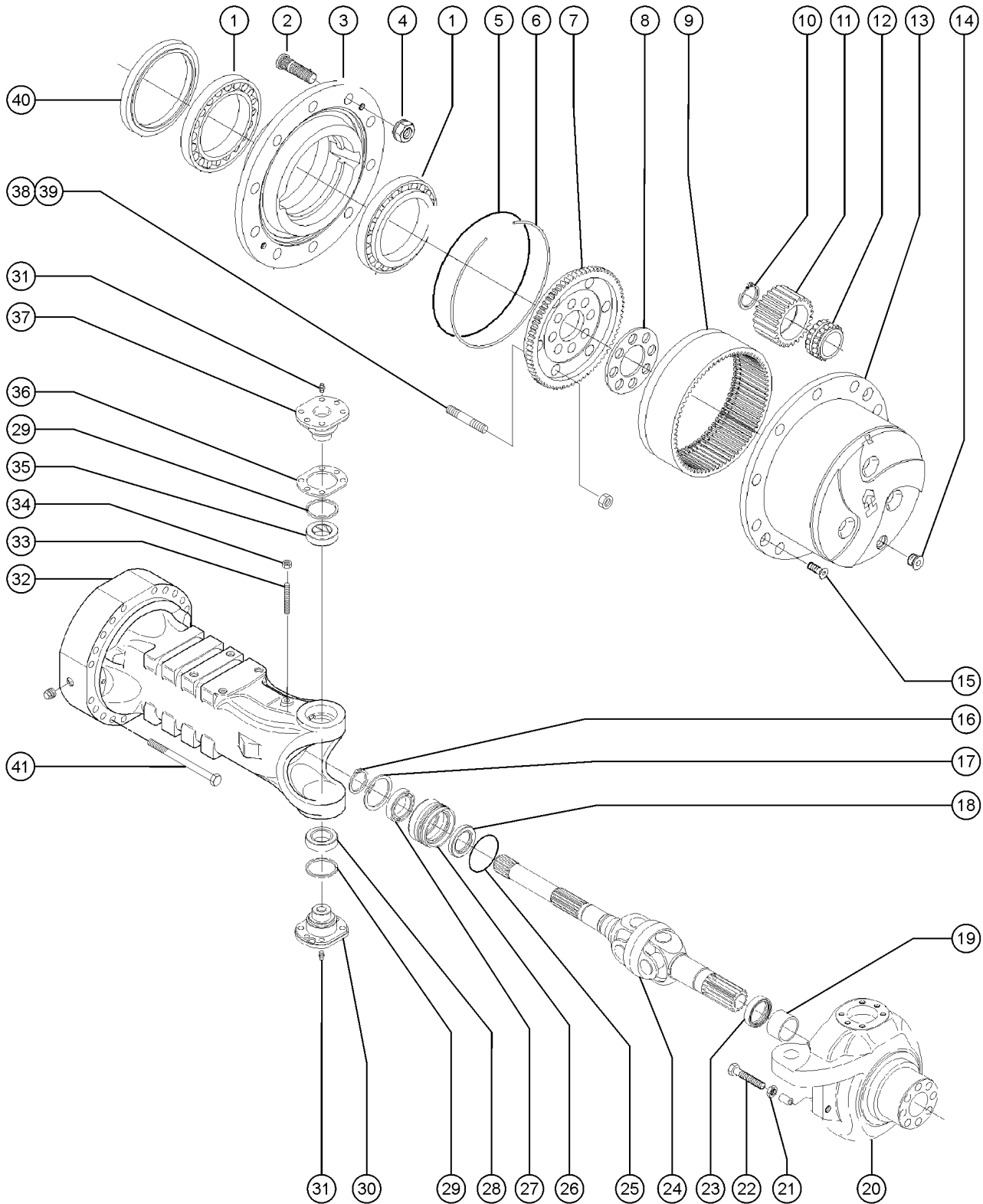
204.1 Front Axle, Differential



## 204.1 Front Axle, Differential

Item	Part No.	Description	Qty.	Item	Part No.	Description	Qty.
1	7-229-770GT	HEXAGON BOLT..... <i>before axle serial number R-ITA-774587</i>	4	25	7-229-796GT	FRICITION WASHER.....	1
--	7-229-538GT	CYLINDER BOLT..... <i>from axle serial number R-ITA-774587</i>	4	26	228994GT	DIFFERENTIAL,DANA213 FRT.....	1
2	1252570GT	BOLT.....	20	27	7-229-731GT	DETENT BALL.....	8
3	1252621GT	FRICITION WASHER.....	2	28	7-229-805GT	FRICITION WASHER.....	1
4	7-229-777GT	DIFFERENTIAL SIDE,DANA213 FRT..... <i>before axle serial number N-ITA-747942</i>	2	29	7-229-794GT	DIFFERENTIAL SIDE GEAR.....	1
--	228992GT	DIFFERENTIAL SIDE,DANA213 FRT..... <i>from axle serial number N-ITA-747942</i>	1	30	7-229-775GT	DIFFERENTIAL SHAFT,DANA213 FRT..... <i>before axle serial number N-ITA-747942</i>	2
5	7-229-729GT	BOOT.....	1	--	228990GT	DIFFERENTIAL SHAFT,DANA213 FRT..... <i>from axle serial number N-ITA-747942</i>	1
6	7-229-994GT	DIFFERENTIAL SIDE GEAR.....	1	31	7-229-806GT	BEVEL GEAR SET.....	1
7	130396GT	SEAL WASHER.....	1	32	7-229-781GT	BEARING.....	1
8	7-229-727GT	SEAL WASHER.....	1	33	7-229-662GT	SHIM / 0.10mm.....	1
9	7-229-726GT	O-RING.....	1	--	7-229-663GT	SHIM / 0.20mm.....	1
10	7-229-798GT	FORK/SELECTOR.....	1	--	7-229-664GT	SHIM / 0.50mm.....	1
11	7-229-799GT	RING NUT.....	1	--	7-229-665GT	SHIM / 0.15mm.....	1
12	7-229-801GT	SPRING WASHER.....	1	34	7-229-782GT	SHIM / 0.15mm.....	1
13	7-229-797GT	NUT.....	1	--	1252618GT	SHIM KIT.....	1
14	7-229-800GT	SPRING.....	1	--	7-229-783GT	SHIM / 0.20mm.....	1
15	130391GT	PISTON.....	1	--	7-229-784GT	SHIM / 0.30mm.....	1
16	7-229-804GT	GASKET.....	1	--	7-229-785GT	SHIM / 0.40mm.....	1
17	7-229-803GT	O-RING.....	1	35	1252600GT	SPACER.....	1
18	7-229-779GT	FRICITION WASHER.DANA213 FRT..... <i>before axle serial number N-ITA-747942</i>	4	36	1252546GT	TAPER ROLLER BEARING.....	1
--	228991GT	FRICITION WASHER..... <i>from axle serial number N-ITA-747942</i>	4	37	1252538GT	SEAL.....	1
19	7-229-778GT	DIFFERENTIAL PINION.....	4	38	7-229-793GT	NUT.....	1
20	7-229-780GT	BOLT..... <i>before axle serial number S-ITA-725838</i>	15	39	7-229-792GT	O-RING.....	1
--	1252601GT	RING KIT..... <i>from axle serial number S-ITA-725838</i>	15	40	130390GT	FLANGE.....	1
21	7-229-795GT	SELECTOR.....	1	41	1252656GT	COVER PLATE.....	1
22	7-229-771GT	LOCKING PLATE..... <i>disc. from axle serial number R-ITA-774857</i>	2	42	228993GT	DIFFERENTIAL CARRIER,DANA213..... <i>before axle serial number N-ITA-747942</i>	1
--	231122GT	CLIP,DANA213,BRAKE ADJ <i>INCLUDED IN KIT PART NUMBER 235638</i>		--	1252605GT	DIFFERENTIAL CARRIER <i>from axle serial number N-ITA-747942</i>	
--	235638GT	KIT,BRAKE CLIP,DANA213,FRNT <i>HEAVY DUTY REPLACEMENT KIT FOR PARKING BRAKE LOCKING CLIP TO DANA 213 AXLE</i>		--	1252607GT	DIFFERENTIAL <i>from axle serial number N-ITA-747942 (includes items 3, 4, 18, 19, 20, 28, 29, 30, 42)</i>	
--	49378GT	SCREW,HHC,M8 X 16 <i>INCLUDED IN KIT PART NUMBER 235638</i>					
23	7-229-772GT	RING NUT..... <i>before axle serial number R-ITA-774587</i>	1				
--	1252631GT	RING NUT..... <i>from axle serial number R-ITA-774587</i>	1				
24	7-229-773GT	BEARING.....	2				

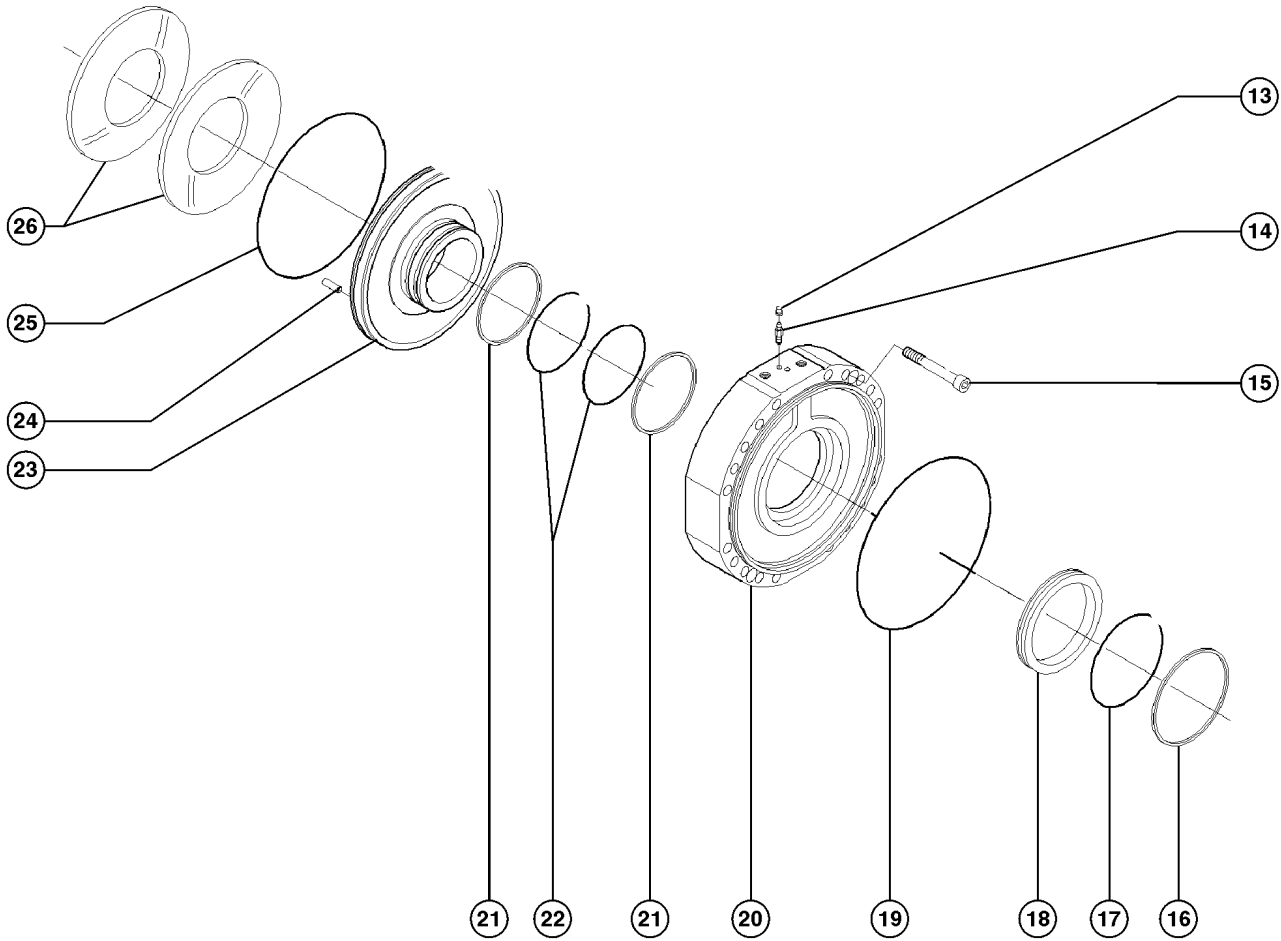
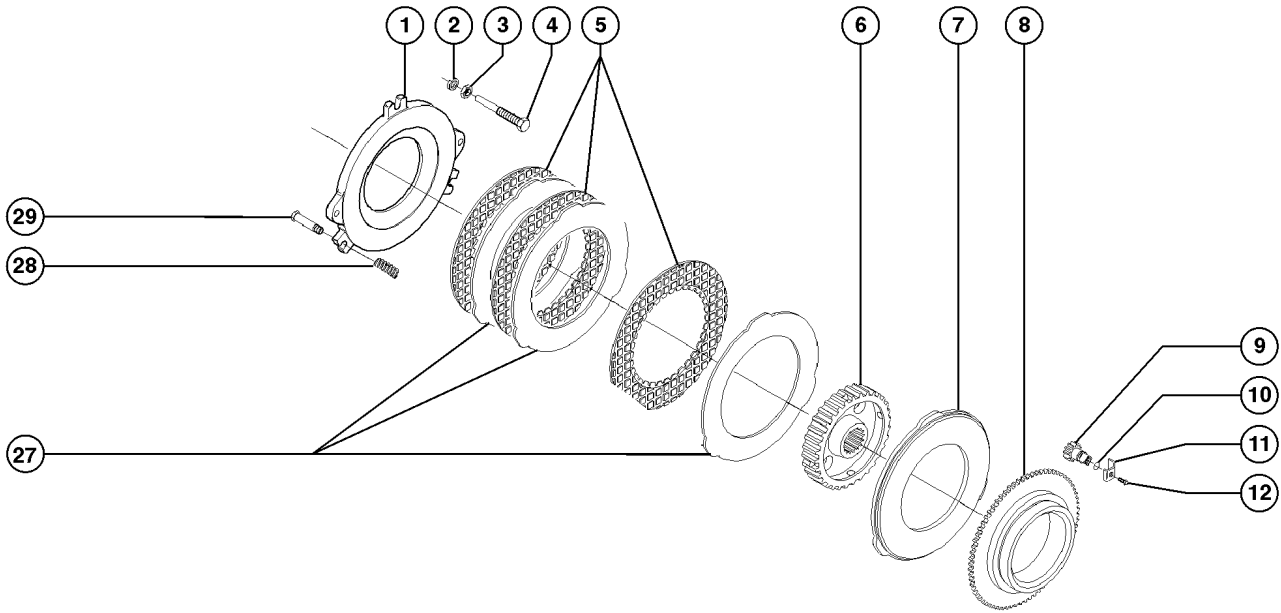
205.1 Front Axle, Hub Reduction



## 205.1 Front Axle, Hub Reduction

Item	Part No.	Description	Qty.	Item	Part No.	Description	Qty.
--	130405GT	PLANET GEAR CARRIER ASSY.....2 <i>(includes items 10-13)</i>	2	--	130399GT	AXLE BOLT.....40 <i>before axle serial number R-ITA-75109</i>	40
--	130407GT	RING GEAR SUPPORT ASSY <i>(includes items 6, 7, and 9)</i>		--	824242GT	AXLE BOLT.....40 <i>from axle serial number R-ITA-75109</i>	40
1	7-229-827GT	BEARING.....4 <i>also order 7-229-938</i>	4	--	824251GT	AXLE ARM,BRAKE (213.06.035.01) <i>from axle serial number R-ITA-75109</i>	
1A	7-229-938GT	BEARING CUP.....4 <i>also order 7-229-827</i>	4	33	7-229-810GT	BOLT.....2	2
2	130403GT	STUD,WHEEL		34	7-229-623GT	NUT.....2	2
3	7-229-828GT	WHEEL HUB.....2	2	35	130400GT	BUSHING.....2	2
4	7-229-592GT	WHEEL NUT.....20	20	36	7-229-813GT	SHIM / 0.15mm.....2	2
5	7-229-831GT	O-RING.....2	2	--	7-229-814GT	SHIM/020MM.....2	2
6	1252662GT	CIRCLIP.....2	2	--	7-229-815GT	SHIM / 0.50mm.....2	2
7	1252609GT	RING GEAR SUPPORT.....2	2	37	7-229-935GT	PIVOT PIN.....2	2
8	7-229-835GT	LOCKING PLATE.....2	2	38	7-229-833GT	STUD.....16	16
9	130404GT	RING GEAR,FRONT & REAR AXLE.....2	2	39	1252553GT	NUT.....16	16
10	7-229-838GT	SNAP RING.....6	6	40	7-229-826GT	SEAL.....2	2
11	7-229-839GT	PLANET GEAR.....6	6	41	7-229-809GT	BOLT.....40	40
12	7-229-840GT	BEARING.....6	6				
13	7-229-842GT	PLANET GEAR.....2	2				
14	7-229-526GT	PLUG.....2	2				
15	7-229-681GT	BOLT / COUNTERSUNK.....4	4				
16	7-229-565GT	CIRCLIP.....2	2				
17	7-229-601GT	CIRCLIP.....2	2				
18	1252670GT	SEAL.....2	2				
19	1252665GT	THRUST BUSHING.....1	1				
20	7-229-886GT	STEERING CASE WITH BUSHING RH.....1	1				
20A	7-229-887GT	STEERING CASE WITH BUSHING LH...1	1				
21	7-229-599GT	NUT.....4	4				
22	130402GT	BOLT,STEERING ADJUST.....4	4				
23	7-229-821GT	SEAL.....2	2				
24	141784GT	JOINT.....2 <i>before axle serial number R-ITA-722298</i>	2				
--	1252647GT	JOINT.....2 <i>from axle serial number R-ITA-722298</i>	2				
25	7-229-566GT	O-RING.....2	2				
26	7-229-562GT	REDUCTION BUSHING.....2 <i>(includes items 17, 18, 25, and 27)</i>	2				
27	7-229-564GT	BALL BEARING.....2	2				
28	1252664GT	BEARING.....2	2				
29	1252639GT	DUST EXCLUDER.....2	2				
30	1252648GT	PIVOT PIN.....2 <i>(includes items 28 and 29)</i>	2				
31	1252554GT	GREASE FITTING.....4	4				
32	130397GT	AXLE CASE,FRONT AXLE <i>before axle serial number R-ITA-75109</i>					

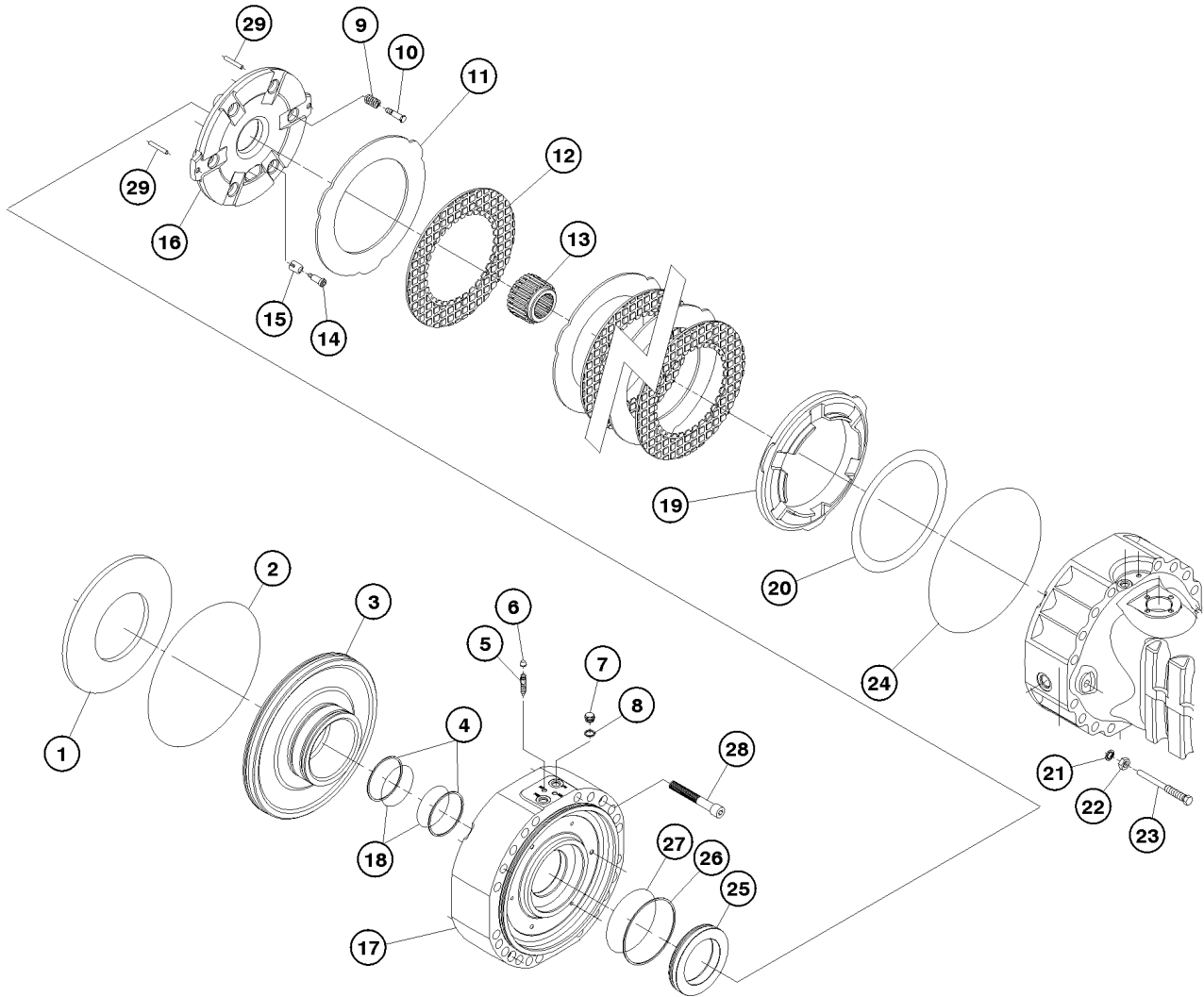
206.1 Front Axle, Brakes (to SN 1012-16525)



## 206.1 Front Axle, Brakes (to SN 1012-16525)

Item	Part No.	Description	Qty.
1	7-229-854GT	BRAKE DISC.....	1
2	7-229-855GT	LOCKWASHER.....	2
3	7-229-856GT	NUT.....	2
4	130408GT	BOLT.....	2
5	1252617GT	BRAKE DISC..... <i>Inside Diameter = 6.25"</i>	2
6	1252614GT	REDUCTION BUSHING.....	1
7	7-229-863GT	INTERMEDIATE BRAKE DISC.....	1
8	7-229-864GT	RING.....	1
9	7-229-865GT	PINION.....	1
10	7-229-866GT	O-RING.....	1
11	235638GT	KIT,BRAKE CLIP,DANA213,FRNT.....	1
12	7-229-868GT	HEXAGON BOLT.....	1
13	1252674GT	PLUG.....	2
14	824478GT	BLEEDER BOLT.....	2
15	7-229-850GT	CYLINDER BOLT.....	2
16	1252666GT	BACK-UP RING.....	1
17	7-229-646GT	O-RING.....	1
18	1252612GT	PISTON.....	2
19	1252536GT	O-RING.....	1
20	7-229-848GT	INTERMEDIATE COVER.....	1
21	7-229-851GT	BACK UP RING.....	2
22	7-229-852GT	SEAL.....	2
23	7-229-846GT	PISTON.....	1
24	7-229-845GT	PIN / ROLL.....	1
25	7-229-847GT	O-RING.....	1
26	1252613GT	SPRING.....	1
27	1252626GT	INTERMEDIATE BRAKE DISC..... <i>Quantity per axle</i>	2
28	7-229-859GT	SPRING.....	3
29	7-229-858GT	STEERING ADJUST BOLT.....	3

206.2 Front Axle, Brakes (from SN 1012-16525)

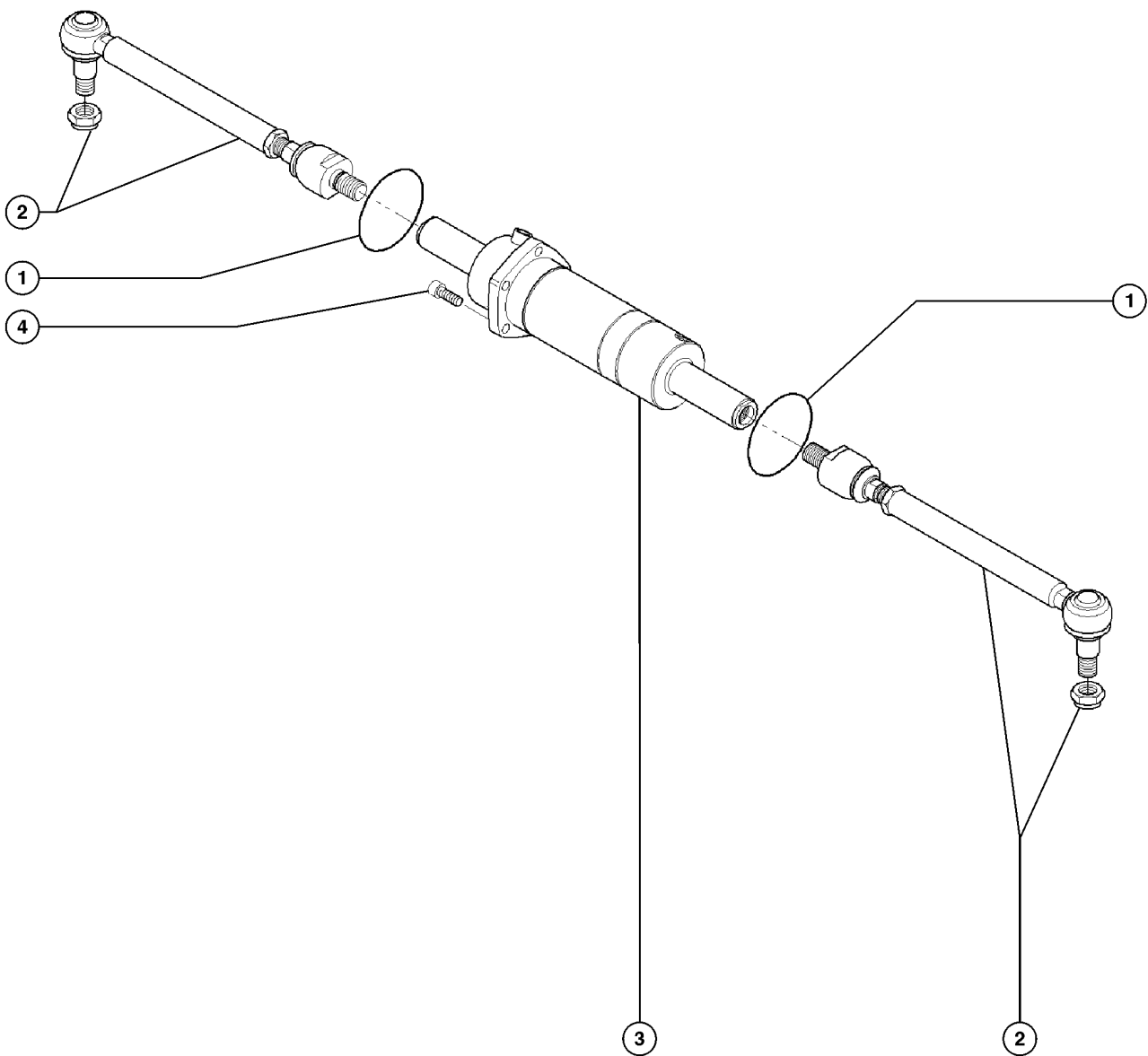




## 206.2 Front Axle, Brakes (from SN 1012-16525)

Item	Part No.	Description	Qty.
1	1252613GT	SPRING.....	2
2	1252537GT	O-RING.....	2
3	1252611GT	PISTON.....	2
4	1252575GT	BACK-UP RING.....	4
5	824478GT	BLEEDER BOLT.....	4
6	1252674GT	PLUG.....	4
7	1252586GT	PLUG W/SEAL.....	4
8	1252586GT	PLUG W/SEAL.....	4
9	1252628GT	SPRING.....	6
10	1252625GT	ADJUSTING BOLT.....	6
11	1252626GT	INTERMEDIATE BRAKE DISC.....	4
12	1252617GT	BRAKE DISC.....	4
13	1252614GT	REDUCTION BUSHING.....	2
14	1252585GT	ADJUSTING BOLT.....	6
15	1252583GT	SPRING.....	4
16	825922GT	INTERMEDIATE BRAKE DISC.....	2
17	1252587GT	COVER..... <i>from SN 13-16791</i>	2
17	824244GT	COVER <i>to SN 13-16790</i>	
18	1252576GT	SEAL.....	4
19	1252615GT	SPACER.....	2
20	1252616GT	SHIM KIT.....	1
21	7-229-855GT	LOCKWASHER.....	4
22	7-229-856GT	NUT.....	4
23	1252624GT	BOLT.....	4
24	1252536GT	O-RING.....	2
25	1252612GT	PISTON.....	2
26	1252666GT	BACK-UP RING.....	2
27	1252584GT	O-RING.....	2
28	825929GT	CYLINDER BOLT.....	4
29	824241GT	DOWEL.....	4
30	1252586GT	PLUG W/SEAL.....	4

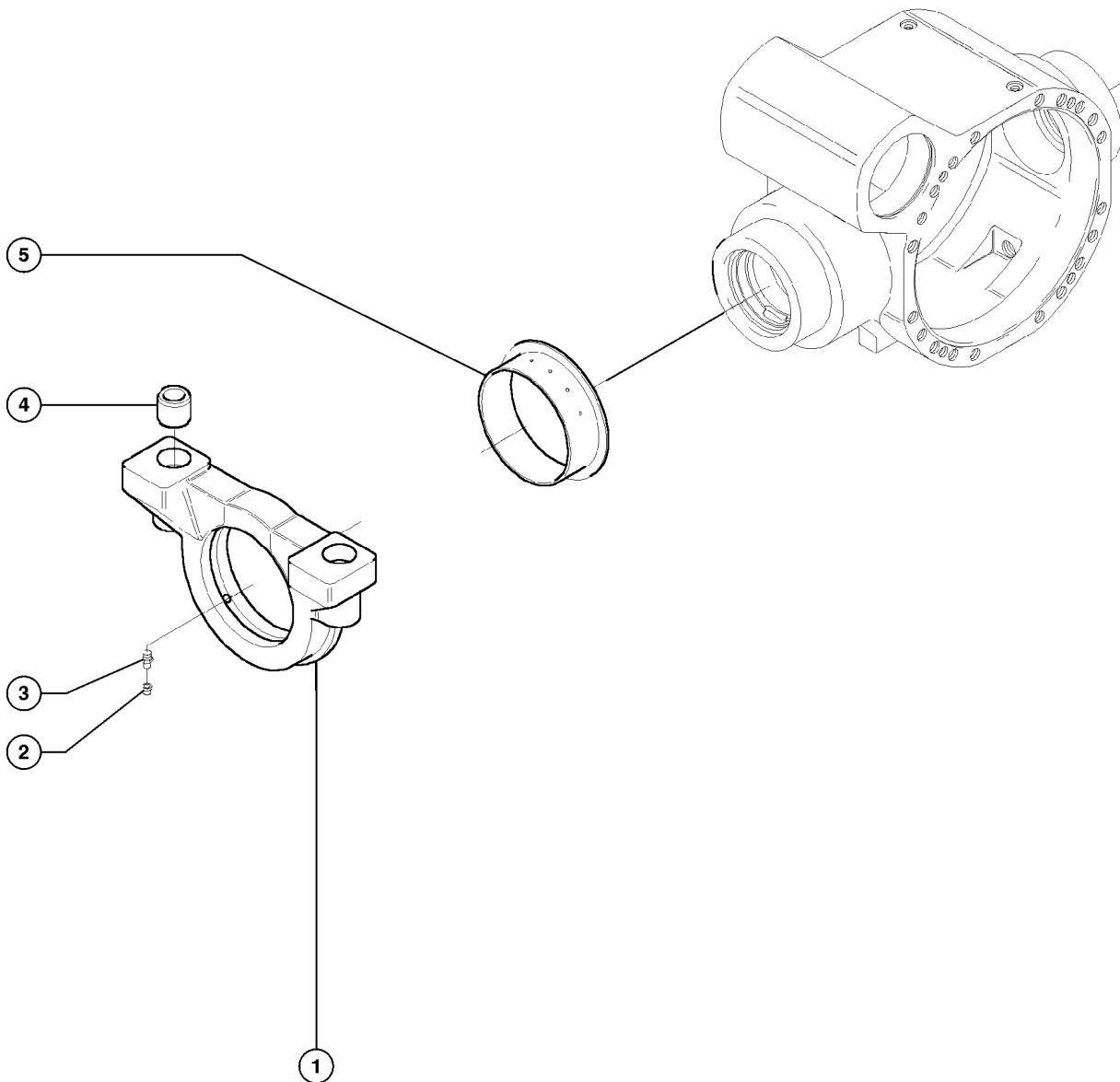
207.1 Front Axle, Steering



## 207.1 Front Axle, Steering

Item	Part No.	Description	Qty.
1	1252535GT	O-RING.....	2
2	130409GT	TIE ROD,ARTICULATED..... <i>(includes nut)</i>	2
--	1274463GT	BOOT KIT,DANA 213/142 AXLE	
--	235341GT	NUT,TIE ROD,10XX	
3	7-229-871GT	CYLINDER.....	1
--	7-229-920GT	SEAL KIT / STEERING CYL.	
4	7-229-767GT	CYLINDER BOLT.....	5

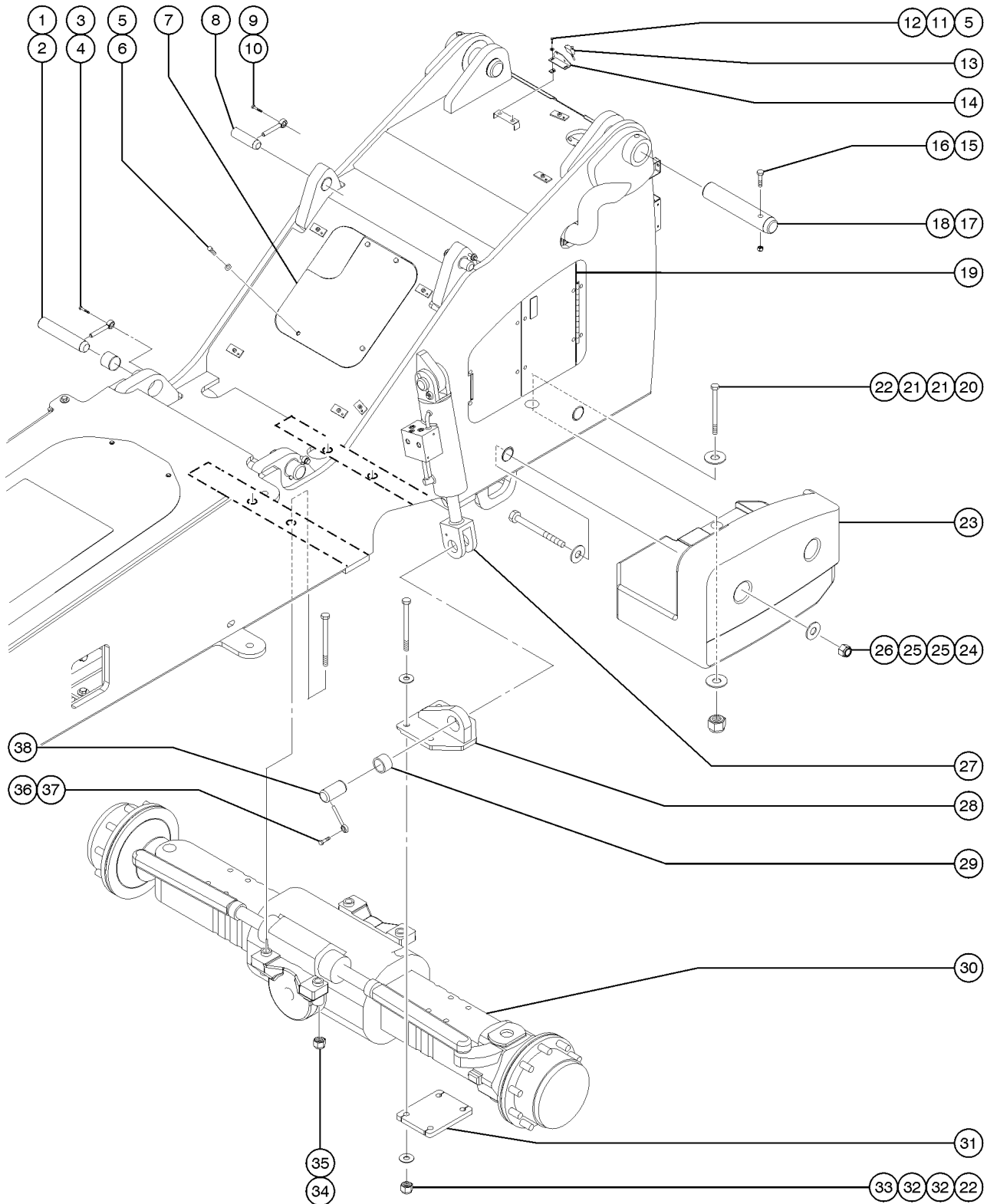
208.1 Front Axle, Trunnion



## 208.1 Front Axle, Trunnion

Item	Part No.	Description	Qty.
--			
--	1252655GT	SUPPORT..... <i>(includes 2, 3, 4, 5)</i>	2
1	130411GT	SUPPORT.....	2
2	1252674GT	PLUG.....	2
3	1252554GT	GREASE FITTING.....	2
4	1252657GT	.....	4
5	1252658GT	THRUST BUSHING.....	2

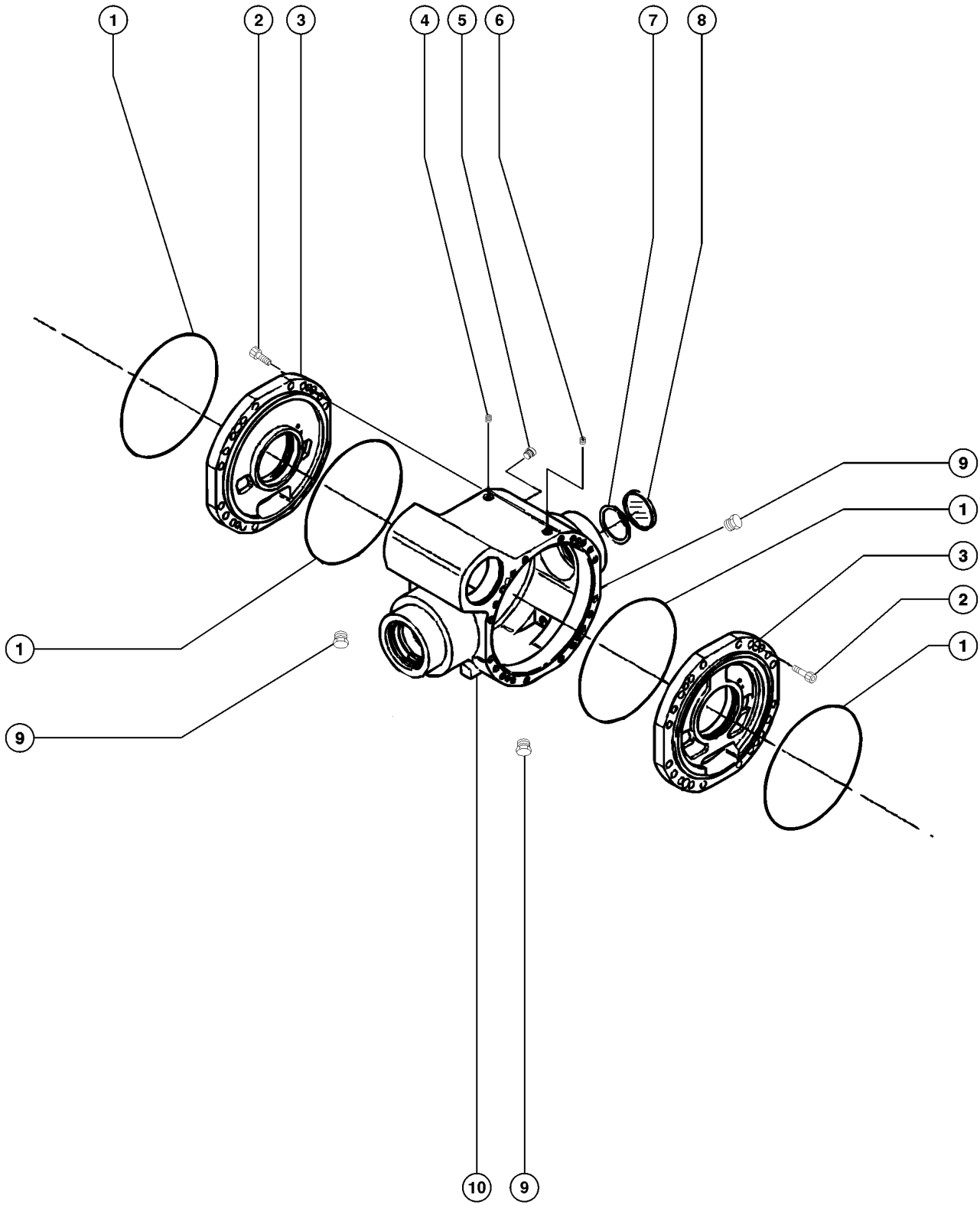
209.1 Rear Axle View



## 209.1 Rear Axle View

Item	Part No.	Description	Qty.	Item	Part No.	Description	Qty.
--	233804GT	10K SWAY HARDWARE KIT <i>(includes Items 1, 2, 8, 117639 shown in figure 209.1 and instructions)</i>		30B	1281658GT	AXLE,DANA,213 REAR,2180 FTF,REMAN <i>Remanufactured</i>	
--	235389GT	FENDER ASSY,SERVICE PART <i>for left or right side</i>		31	117635GT	PLATE,CYL MOUNT.....1	1
1	108859GT	PIN,2.50DIA X 5.94LG,1HOLE.....2	2	32	74323GT	WASHER,FLAT,.812X2X.14 HARDEN	
2	108865GT	BEARING,2.50IDX3.00ODX2.00LG.....2	2	33	117639GT	SCREW,HHC,3/4-10X11.0,GR8.....4	4
3	123663GT	SCREW,HHC,1/2-13X1.25,GR8,Y.....2	2	34	123189GT	NUT,NYLOCK,1-8,GR8.....4	4
4	1256267GT	ROD END,.5 X 3.75,ZAG		35	117316GT	SCREW,HHC,1-8X6.5,GR8.....4	4
5	6090GT	SCREW,HHC,1/4-20 X .75.....4	4	36	6175GT	SCREW,HHC,3/8-16 X 1	
6	75144GT	WASHER,FLAT,SAE 1/4,ZINC.....4	4	37	825019GT	ROD END,.375X3.69,ZAG	
7	130057GT	PLATE,ENGINE COVER,JD.....1	1	38	117125GT	PIN,2.00DIA X 4.00LG,1 HOLE.....1	1
8	108855GT	PIN,1.50DIA X 5.25LG,1HOLE.....2	2				
9	6019GT	SCREW,HHC,3/8-16 X 1.25 GRD 5					
10	1255452GT	ROD END,.375 X 2.25,ZAG					
11	6638GT	WASHER,FLAT,USS,1/4"Y					
12	56912GT	SPRING CLIP,1/4-20,.025-.15X.54,ZAG					
13	123259GT	PROXIMITY SWITCH,15MM RANGE.....1	1				
14	123395GT	FORMING,BOOM ANGLE SENSOR MNT.....1	1				
15	61385GT	SCREW,HHC,1/2-13 X 5.25					
16	6198GT	NUT,NYLOCK,1/2-13					
17	108860GT	PIN,3.00DIA X 9.00LG,1HOLE.....2	2				
18	117051GT	WASHER,THRUST,3.06X6.00X.06.....2 <i>(not shown)</i>	2				
19	115226GT	ENGINE DOOR ASSEMBLY,LEFT.....1	1				
--	123286GT	LATCH,COMPRESSION,THIN GRIP					
19A	115227GT	ENGINE DOOR ASSEMBLY,RIGHT					
--	123286GT	LATCH,COMPRESSION,THIN GRIP					
20	123144GT	SCREW,HHC,3/4-10X7,GR8,Y.....1	1				
21	10256GT	WASHER,FLAT,USS,3/4",Y					
22	77051GT	NUT,NYLOCK,3/4-10,GRD.8.....4	4				
23	117890GT	COUNTERWEIGHT,CAST,LEFT.....1	1				
23A	117889GT	COUNTERWEIGHT,CAST,RIGHT					
24	123143GT	NUT,NYLOCK,1-8,GR8.....2	2				
25	38859GT	WASHER,FLAT,USS,1",Y					
26	117468GT	SCREW,HHC,1-8X6.00,GR8.....2	2				
27	1253249GT	CYLINDER,REAR LOCK,1056.....1	1				
--	123868GT	VALVE,CB.CBCH-LJN@2000					
--	1258125GT	SEAL KIT, SWAY CYL 1253248/49					
28	117369GT	WELDMENT,LOWER CYL MOUNT.....1	1				
29	123188GT	BEARING,2.00IDX2.50ODX1.50L.....2	2				
30A	117506GT	AXLE,DANA,213 REAR 2180 FTF.....1 <i>For use with machines equipped with Dana transmissions only. For ZF transmission equipped machines order part number 825932</i>	1				

210.1 Rear Axle, Central Housing

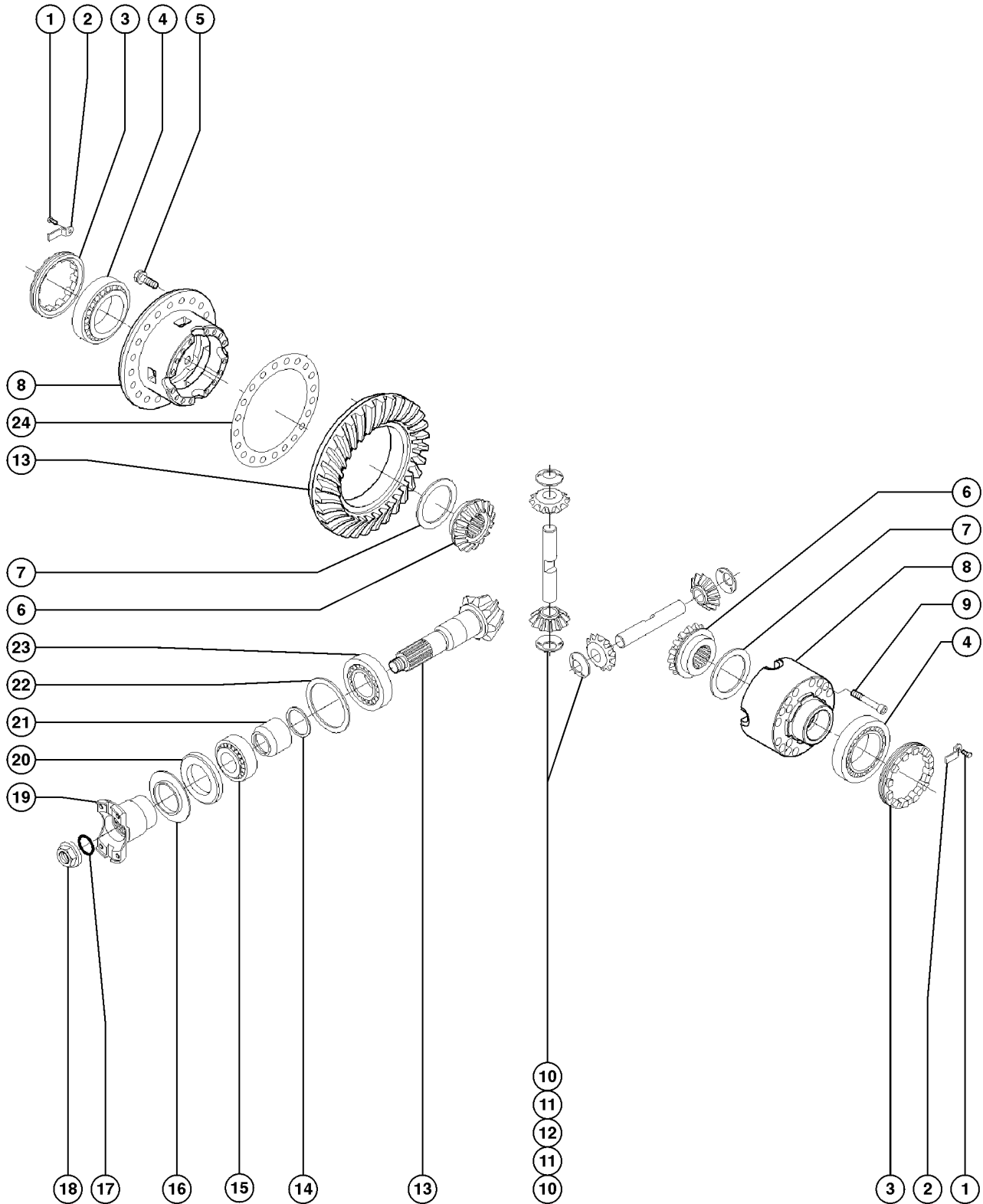




## 210.1 Rear Axle, Central Housing

Item	Part No.	Description	Qty.
1	1252536GT	O-RING.....	4
2	7-229-767GT	CYLINDER BOLT.....	4
3	226569GT	INTERMEDIATE COVER..... <i>before axle serial number S-ITA-760782</i>	2
--	218485GT	INTERMEDIATE COVER..... <i>from axle serial number S-ITA-760782</i>	2
4	7-229-765GT	PLUG..... <i>before axle serial number N-ITA-747864</i>	1
--	141104GT	PLUG, 213/143 REAR AXLE..... <i>from axle serial number N-ITA-747864</i>	1
5	7-229-526GT	PLUG	
6	1252577GT	VENT..... <i>(vent)</i>	1
7	7-229-601GT	CIRCLIP.....	1
8	1252627GT	PLUG.....	1
9	7-229-764GT	MAGNETIC PLUG..... <i>before axle serial number N-ITA-747864</i>	1
--	141103GT	MAGNETIC PLUG <i>from axle serial number N-ITA-747864</i>	
10	130388GT	HOUSING,REAR AXLE..... <i>before axle serial number N-ITA-747864</i> <i>(for models with only one trunnion)</i>	1
--	1252636GT	HOUSING,AXLE..... <i>from axle serial number N-ITA-747864</i>	1

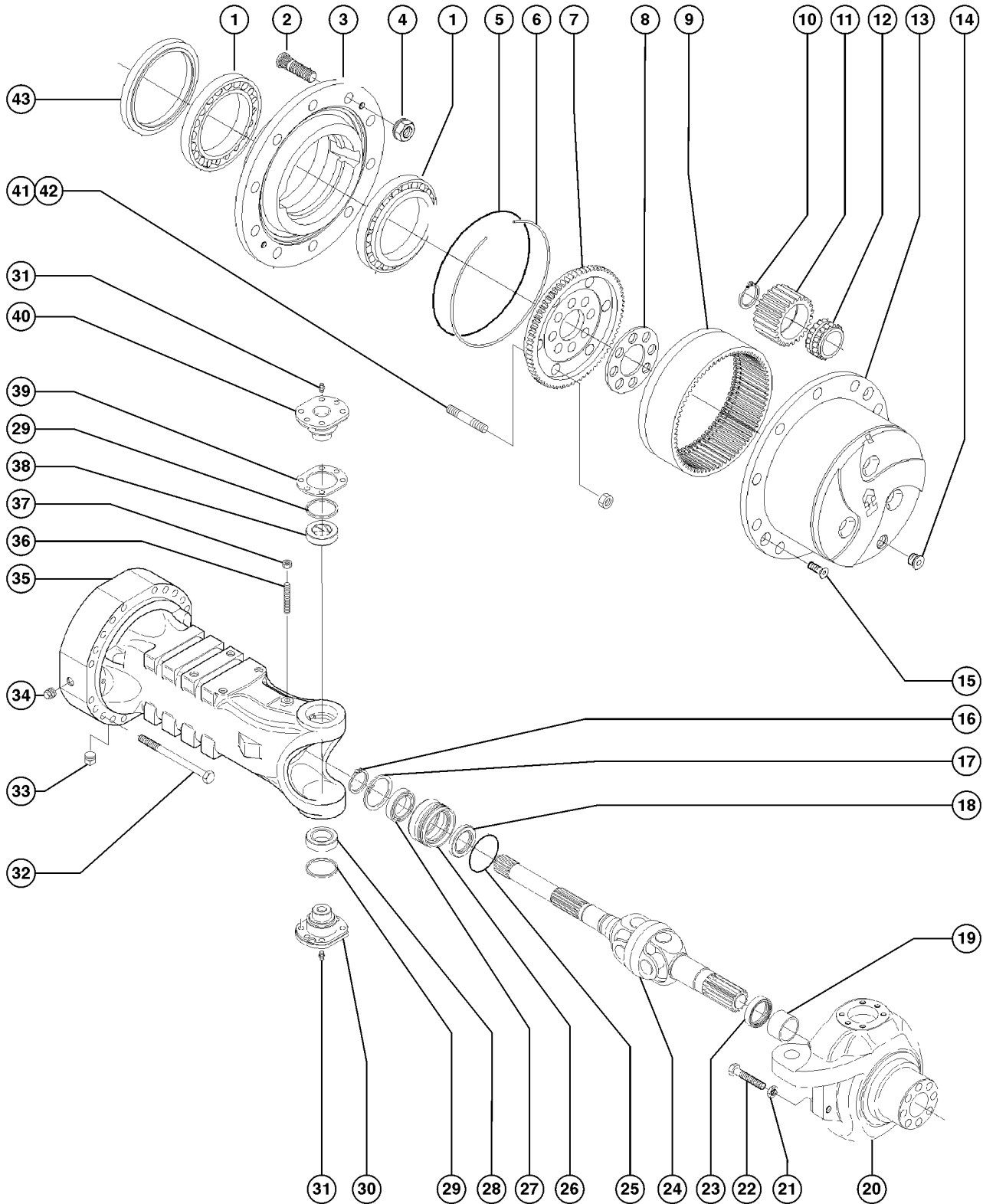
211.1 Rear Axle, Differential



## 211.1 Rear Axle, Differential

Item	Part No.	Description	Qty.	Item	Part No.	Description	Qty.
1	7-229-770GT	HEXAGON BOLT.....4 <i>before axle serial number S-ITA-704518</i>	4	17	7-229-792GT	O-RING.....1	1
--	7-229-538GT	CYLINDER BOLT.....4 <i>from axle serial number S-ITA-704518</i>	4	18	7-229-793GT	NUT.....1	1
2	7-229-771GT	LOCKING PLATE.....2 <i>disc. from axle serial number S-ITA-704518</i>	2	19	130390GT	FLANGE.....1	1
3	7-229-772GT	RING NUT.....2 <i>before axle serial number S-ITA-704518</i>	2	20	1252538GT	SEAL.....1	1
--	1252631GT	RING NUT.....2 <i>from axle serial number S-ITA-704518</i>	2	21	1252600GT	SPACER.....1	1
4	7-229-773GT	BEARING.....2	2	22	7-229-662GT	SHIM / 0.10mm.....1	1
5	1252570GT	BOLT.....20	20	--	7-229-663GT	SHIM / 0.20mm.....1	1
6	7-229-777GT	DIFFERENTIAL SIDE,DANA213 FRT.....2 <i>before axle serial number N-ITA-747864</i>	2	--	7-229-664GT	SHIM / 0.50mm.....1	1
--	1252599GT	DIFFERENTIAL SIDE GEAR.....2 <i>from axle serial number N-ITA-747864</i>	2	--	7-229-665GT	SHIM / 0.15mm.....1	1
7	7-229-776GT	FRICTION WASHER.....2 <i>before axle serial number N-ITA-747864</i>	2	23	7-229-781GT	BEARING.....1	1
--	1252621GT	FRICTION WASHER.....4 <i>from axle serial number N-ITA-747864</i>	4	24	130395GT	DIFFERENTIAL ASSY,REAR AXLE.....1 <i>before axle serial number S-ITA-704518</i>	1
8	130393GT	DIFFERENTIAL,REAR AXLE.....1 <i>before axle serial number N-ITA-747864</i>	1	--	1252601GT	RING KIT <i>from axle serial number S-ITA-704518</i>	1
--	1252604GT	DIFFERENTIAL CARRIER,REAR AXLE.....1 <i>from axle serial number N-ITA-747864</i>	1	--	1252606GT	DIFFERENTIAL ASSY,REAR AXLE.....1 <i>from axle serial number S-ITA-704518</i> <i>(includes items 6, 7, 8, 9, 10, 11, 12</i>	1
--	7-229-795GT	SELECTOR					
9	7-229-879GT	BOLT.....15 <i>before axle serial number N-ITA-747864</i>	15				
--	1252573GT	BOLT.....15 <i>from axle serial number N-ITA-747864</i>	15				
10	7-229-779GT	FRICTION WASHER.DANA213 FRT.....4 <i>before axle serial number N-ITA-747864</i>	4				
--	228991GT	FRICTION WASHER.....4 <i>from axle serial number N-ITA-747864</i>	4				
11	7-229-778GT	DIFFERENTIAL PINION.....4	4				
12	7-229-775GT	DIFFERENTIAL SHAFT,DANA213 FRT.....2 <i>before axle serial number S-ITA-704518</i>	2				
--	228990GT	DIFFERENTIAL SHAFT,DANA213 FRT.....2 <i>from axle serial number S-ITA-704518</i>	2				
13	130392GT	BEVEL GEAR SET.....1	1				
14	7-229-782GT	SHIM / 0.15mm.....1	1				
--	1252618GT	SHIM KIT					
--	7-229-783GT	SHIM / 0.20mm.....1	1				
--	7-229-784GT	SHIM / 0.30mm.....1	1				
--	7-229-785GT	SHIM / 0.40mm.....1	1				
15	1252546GT	TAPER ROLLER BEARING.....1	1				
16	1252656GT	COVER PLATE.....1	1				

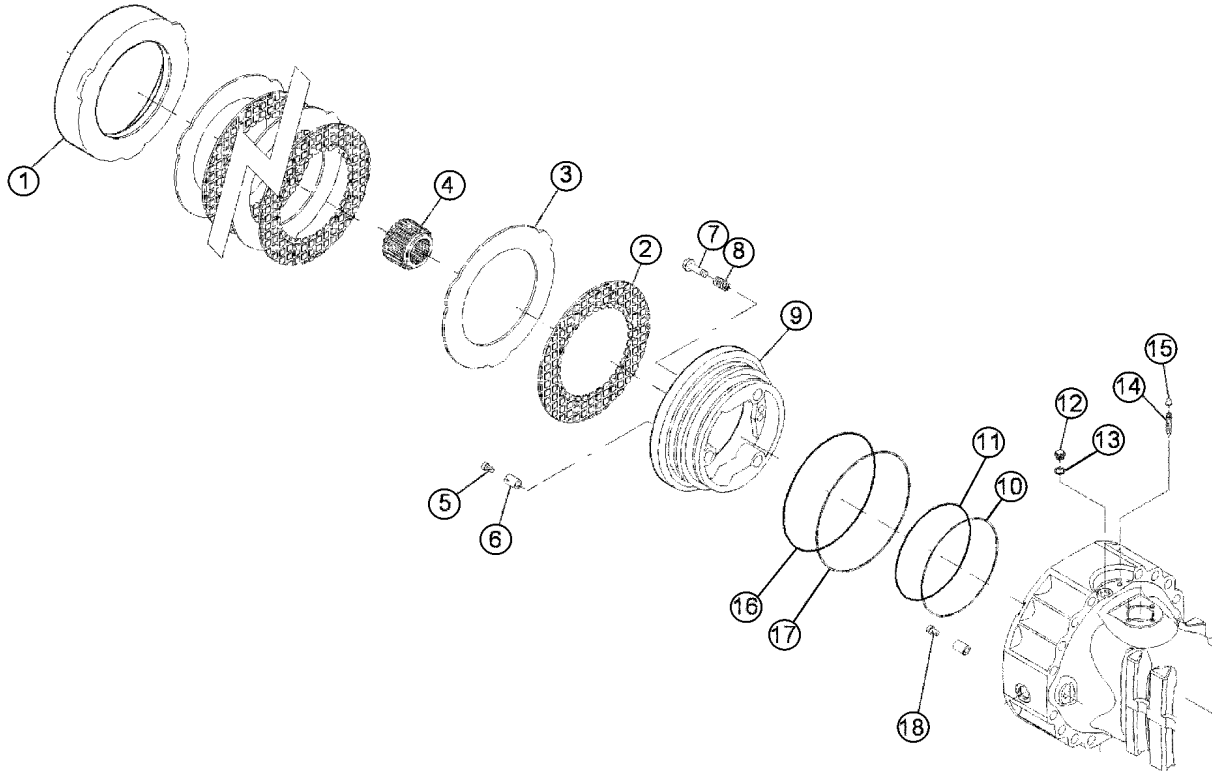
212.1 Rear Axle, Hub Reduction



## 212.1 Rear Axle, Hub Reduction

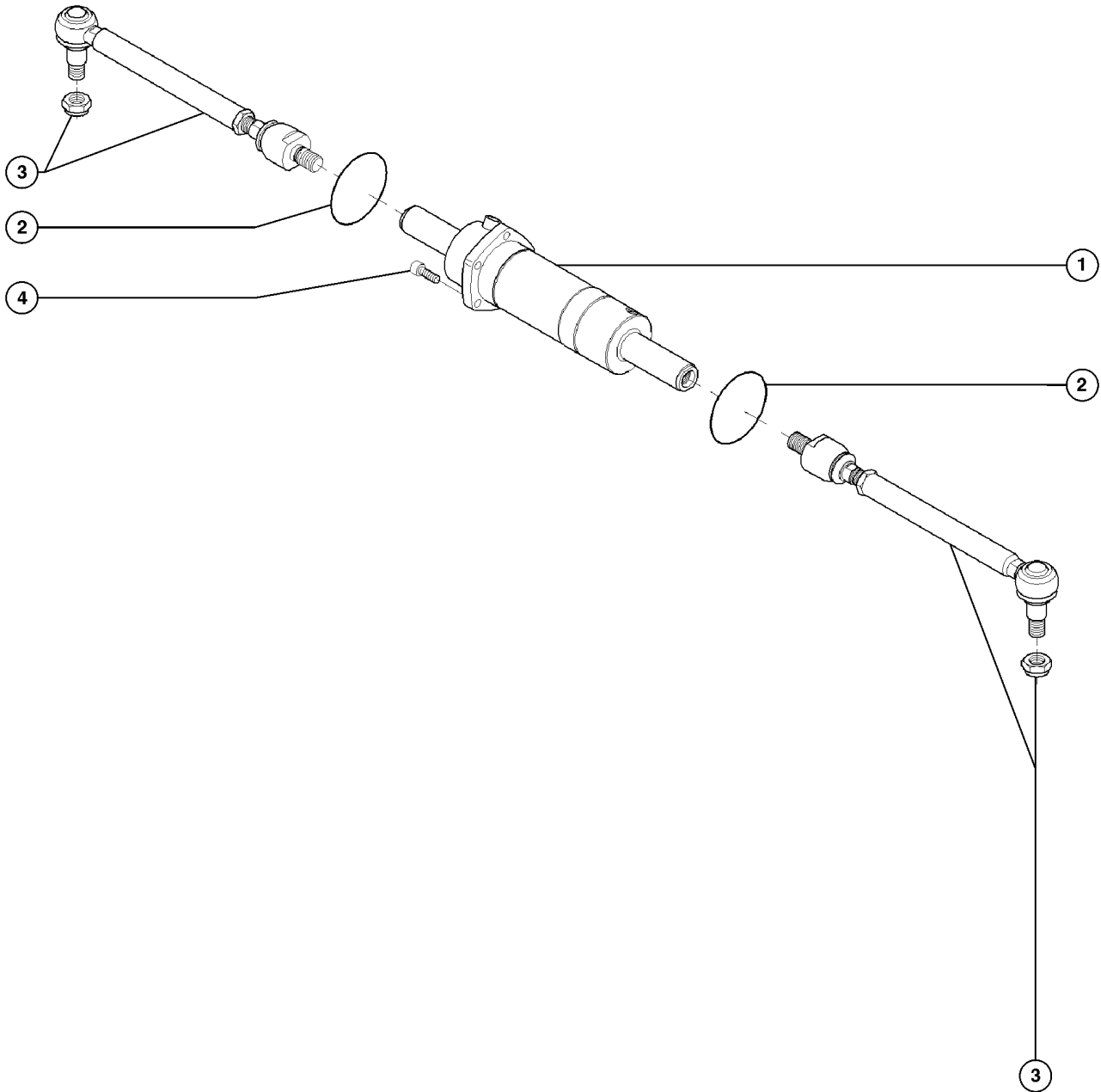
Item	Part No.	Description	Qty.	Item	Part No.	Description	Qty.
--	1252610GT	RING GEAR SUPPORT ASSY.....2 <i>(includes items 6, 7, and 9)</i>	2	34	141104GT	PLUG, 213/143 REAR AXLE <i>(optional)</i>	
--	130405GT	PLANET GEAR CARRIER ASSY.....2 <i>(includes items 10-13)</i>	2	35	130398GT	AXLE CASE,REAR AXLE.....2 <i>before axle serial number K-ITA-742587</i>	2
1	7-229-827GT	BEARING.....4 <i>also order 7-229-938</i>	4	--	218486GT	AXLE CASE,REAR AXLE.....2 <i>from axle serial number K-ITA-742587</i>	2
1A	7-229-938GT	BEARING CUP.....4 <i>also order 7-229-827</i>	4	36	7-229-810GT	BOLT.....2	2
2	130403GT	STUD,WHEEL.....2	2	37	7-229-623GT	NUT.....2	2
3	7-229-828GT	WHEEL HUB.....2	2	38	130400GT	BUSHING.....2	2
4	7-229-592GT	WHEEL NUT.....20	20	39	7-229-813GT	SHIM / 0.15mm.....2	2
5	7-229-831GT	O-RING.....2	2	--	7-229-814GT	SHIM/020MM.....2	2
6	1252662GT	CIRCLIP.....2	2	--	7-229-815GT	SHIM / 0.50mm.....2	2
7	1252609GT	RING GEAR SUPPORT.....2	2	40	7-229-935GT	PIVOT PIN.....2	2
8	7-229-835GT	LOCKING PLATE.....2	2	41	7-229-833GT	STUD.....16	16
9	1252659GT	RING GEAR.....2	2	42	7-229-834GT	NUT.....16	16
10	7-229-838GT	SNAP RING.....6	6	43	7-229-826GT	SEAL.....2	2
11	7-229-839GT	PLANET GEAR.....6	6				
12	7-229-840GT	BEARING.....2	2				
13	7-229-842GT	PLANET GEAR.....2	2				
14	7-229-526GT	PLUG.....2	2				
15	7-229-681GT	BOLT / COUNTERSUNK.....4	4				
16	7-229-565GT	CIRCLIP.....2	2				
17	7-229-601GT	CIRCLIP.....2	2				
18	1252670GT	SEAL.....2	2				
19	1252665GT	THRUST BUSHING.....2	2				
20	7-229-886GT	STEERING CASE WITH BUSHING RH.....1 <i>(includes item 19)</i>	1				
20A	7-229-887GT	STEERING CASE WITH BUSHING LH...1 <i>(includes item 19)</i>	1				
21	7-229-599GT	NUT.....4	4				
22	130402GT	BOLT,STEERING ADJUST.....4	4				
23	7-229-821GT	SEAL.....2	2				
24	141784GT	JOINT.....2	2				
25	7-229-566GT	O-RING.....2	2				
26	7-229-562GT	REDUCTION BUSHING.....2 <i>(includes items 17, 18, 25, and 27)</i>	2				
27	7-229-564GT	BALL BEARING.....2	2				
28	1252664GT	BEARING.....2	2				
29	1252639GT	DUST EXCLUDER.....2	2				
30	1252648GT	PIVOT PIN.....2 <i>(includes items 28 and 29)</i>	2				
31	1252554GT	GREASE FITTING.....4	4				
32	138039GT	SCREW,REAR AXLE,GTH-10XX.....40	40				
33	7-229-580GT	MAGNETIC PLUG <i>(optional)</i>					

213.1 Rear Axle, Brakes



Item	Part No.	Description	Qty.
1	824867GT	SPACER.....	2
2	1252617GT	BRAKE DISC.....	4
3	1252626GT	INTERMEDIATE BRAKE DISC.....	4
4	1252614GT	REDUCTION BUSHING.....	2
5	138041GT	ADJUSTING BOLT.....	6
6	1252583GT	SPRING.....	4
7	138045GT	ADJUSTING BOLT.....	6
8	1252628GT	SPRING.....	6
9	138042GT	PISTON.....	2
10	138044GT	BACK UP RING.....	2
11	138038GT	O-RING.....	2
12	7-229-645GT	BOLT.....	2
13	7-229-644GT	SEAL WASHER.....	2
14	824478GT	BLEEDER BOLT.....	2
15	1252674GT	PLUG.....	2
16	138037GT	O-RING.....	2
17	138048GT	BACK UP RING.....	2
18	138046GT	PILOT BOLT.....	2

214.1 Rear Axle, Steering

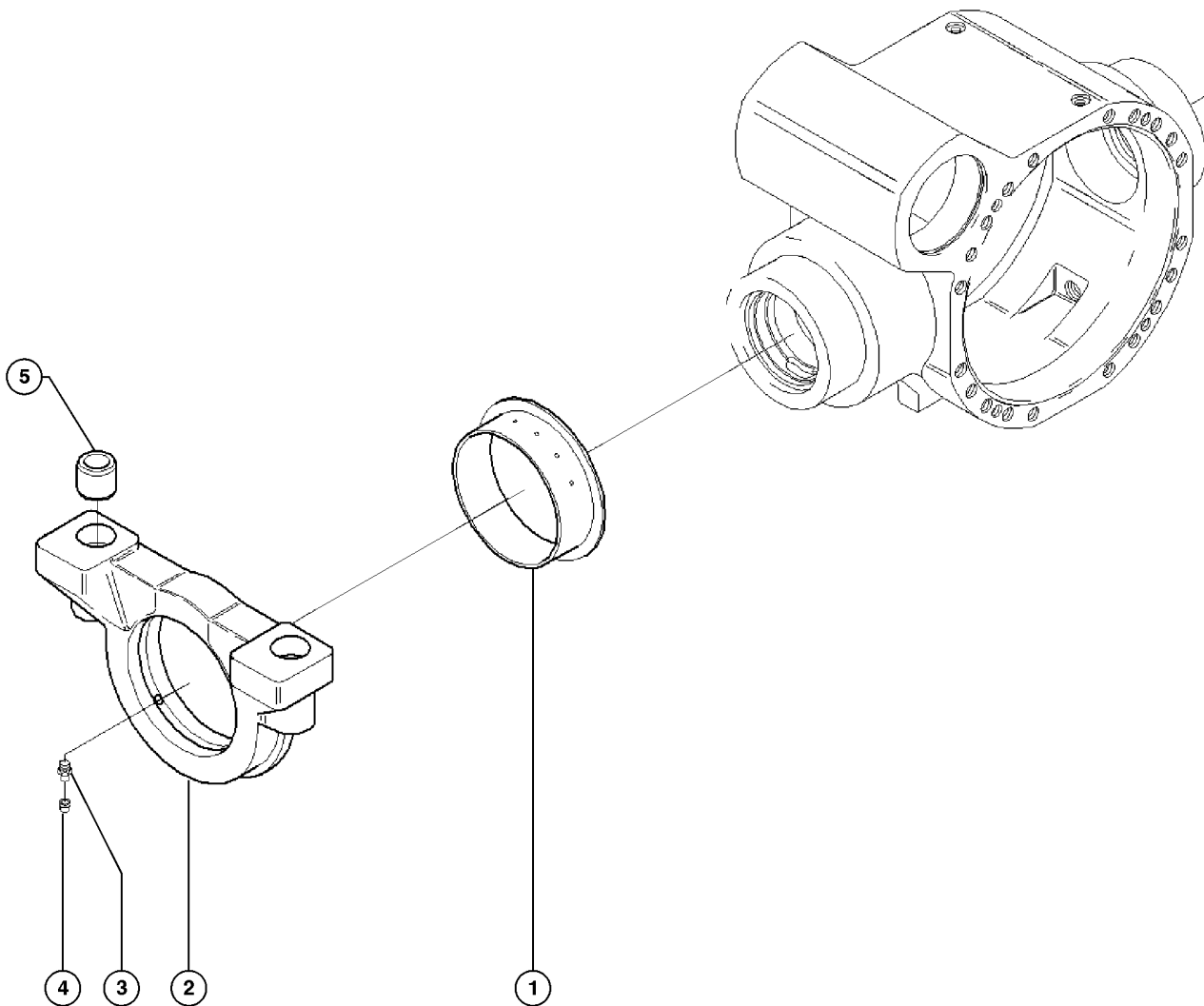




## 214.1 Rear Axle, Steering

Item	Part No.	Description	Qty.
1	7-229-871GT	CYLINDER.....	1
--	7-229-920GT	SEAL KIT / STEERING CYL. <i>for 7-229-871</i>	
2	1252535GT	O-RING.....	2
3	130409GT	TIE ROD,ARTICULATED..... <i>(includes nut)</i>	2
--	1274463GT	BOOT KIT,DANA 213/142 AXLE	
--	235341GT	NUT,TIE ROD,10XX	
4	7-229-767GT	CYLINDER BOLT.....	5

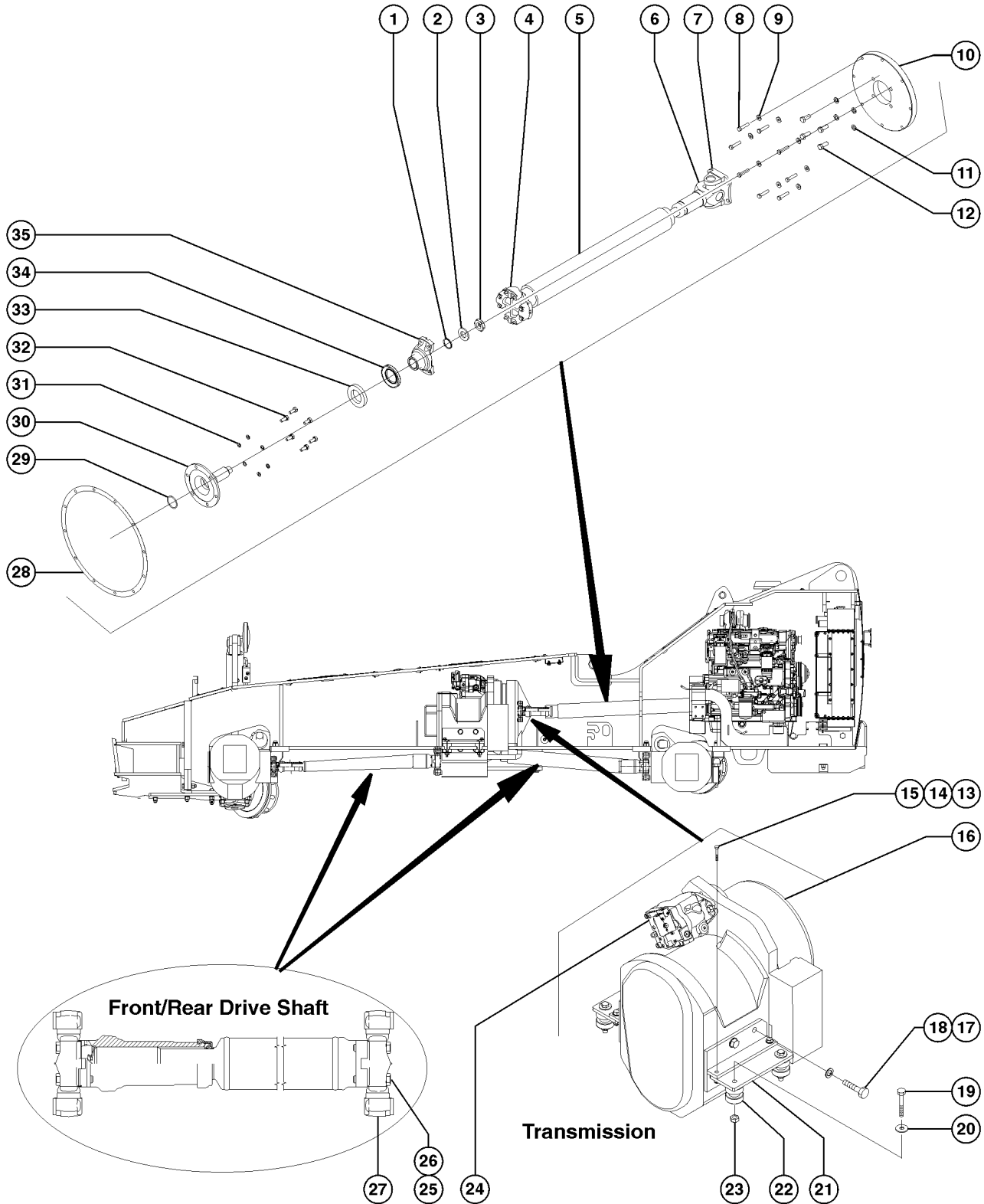
215.1 Rear Axle, Trunion



## 215.1 Rear Axle, Trunion

Item	Part No.	Description	Qty.
--	1252655GT	SUPPORT <i>(includes items 1, 2, 3, 4, and 5)</i>	
1	1252658GT	THRUST BUSHING.....	2
2	130411GT	SUPPORT.....	2
3	1252554GT	GREASE FITTING.....	2
4	1252674GT	PLUG.....	2
5	1252657GT	.....	4

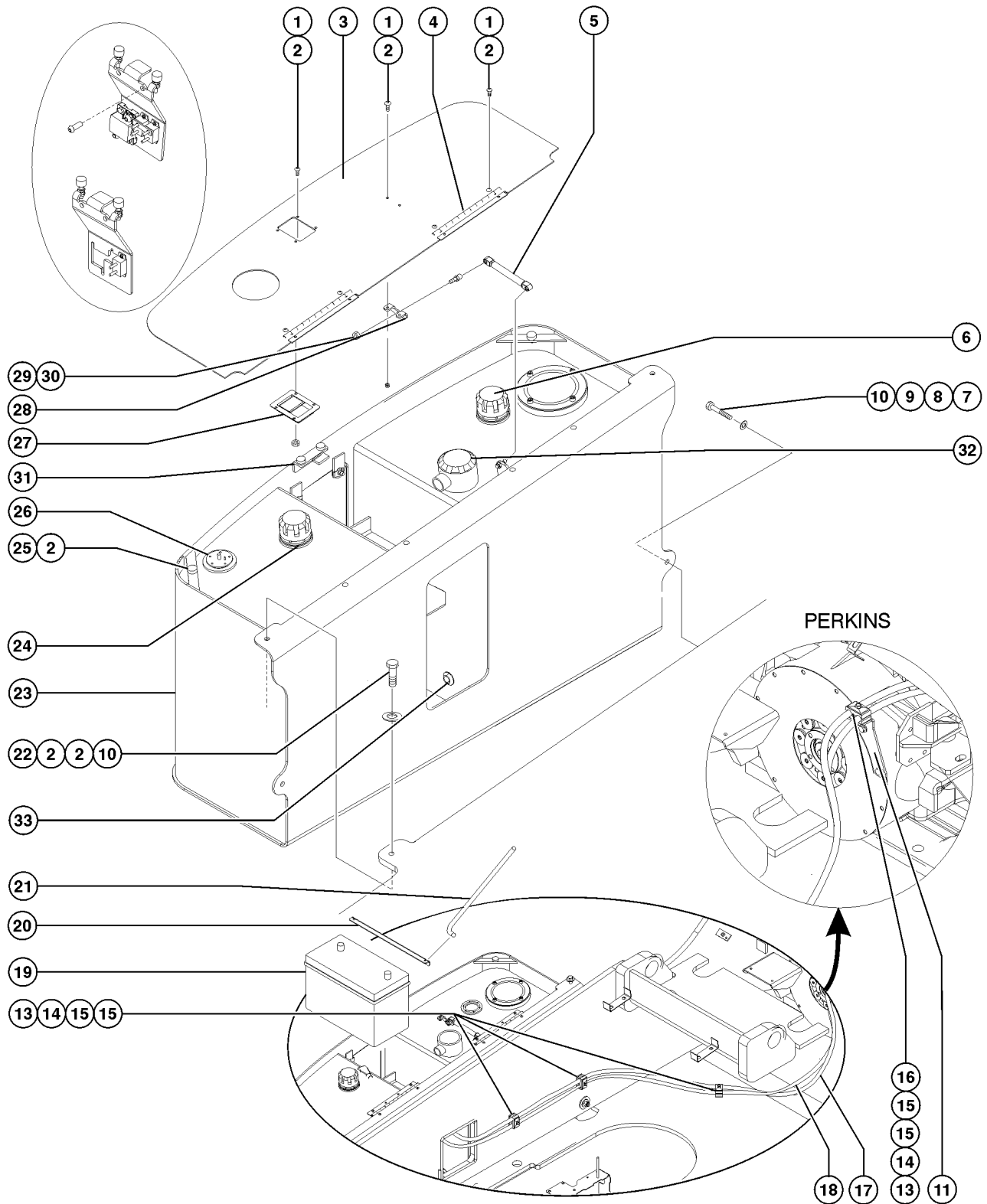
216.1 Drive Shaft and Transmission



## 216.1 Drive Shaft and Transmission

Item	Part No.	Description	Qty.	Item	Part No.	Description	Qty.
--	1263970GT	KIT, CANBUS CONTROLLED CUT OUT		27	117189GT	DRIVESHAFT ASSY,TRANS TO AXLE...2 <i>comes with 2 quantity of 123577 strap kit</i>	
--	1263974GT	KIT,DRIVESHAFT, ENG TO TRANS <i>(Deutz only, serial range 16745 to 19341. Includes driveshaft 1263975 and canbus controlled cut out 1263970)</i>		--	T114017GT	1480 (ROUND CAP) U-JOINT	
--	T114019GT	KIT,DRVSHFT,ISOLATED,GTH10XX.....1 <i>(For all JD and Perkins engines with Dana transmission)</i>		28	130422GT	GASKET.....1	
--	130715GT	UJOINT,DRVSHFT,GTH10XX(117188)		29	130427GT	O-RING,INPUT SHAFT.....1	
1	T114028GT	O-RING, INPUT FLANGE.....1		30	130426GT	SHAFT,INPUT.....1	
2	130363GT	WASHER,TRANSMISSION,GTH10XX....1		31	7-126-391GT	LOCKWASHER.....6	
3	130362GT	NUT,TRANSMISSION,GTH10XX.....1		32	T114029GT	CAPSCREW.....6	
4	T114018GT	WING STYLE U-JOINT 6C		33	130428GT	BEARING.....1	
5	1263975GT	DRIVESHAFT, 1480 ENG 6C TRANS....1		34	7-126-122GT	SEAL,OIL,INPUT FLANGE.....1	
6	T114017GT	1480 (ROUND CAP) U-JOINT		35	7-126-254GT	FLANGE,6C.....1	
7	T114016GT	1480 FLANGE YOKE					
8	13918GT	SCREW,HHC,3/8-16 X 1.75,GRD.8.....8					
9	57201GT	WASHER,FLAT,313, HARDENED.....8					
10	141365GT	ADAPTER PLATE.....1 <i>(for John Deere and Perkins engines)</i>					
--	1276075GT	FLYWHEEL PLATE, DEUTZ <i>(for Deutz engines)</i>					
--	1276076GT	FLYWHEEL SPACER RING, DEUTZ <i>(for Deutz engines)</i>					
--	1276536GT	BOLT,SHCS,ALL-STL,M10X50X12.9,ZN <i>(for Deutz engines)</i>					
--	1276537GT	WASHER,LOCK,SS,M10,18-8 <i>(for Deutz engines)</i>					
11	130902GT	WASHER,LOCK,HI COLLAR,.5.....4					
12	T114026GT	HHCS,1/2-20X1.25,GR 8,BLK.....4					
13	117491GT	SCREW,HHC,1/2-13X2.00 GR8.....4					
14	13066GT	WASHER,FLAT,.5 HARDENED					
15	117493GT	NUT,NYLOCK,1/2-13,GR8					
16	117430GT	TRANS/PUMP ASSY,GTH-1056/48.....1					
--	123515GT	SWITCH,PRESS,NC,150PSI,1/8NPT.....1					
--	123516GT	SWITCH,TEMP,NO,250F,1/2NPT.....1					
17	123664GT	SCREW,HHC,3/4-10X1.75,GR8,Y.....8					
18	33278GT	WASHER,FLAT,.75 HARDENED					
19	123461GT	SCREW,HHC,5/8-11X4.50,GR8,Y.....4					
20	6-6212-10GT	WASHER,FLAT,.625, HARDENED					
21	117429GT	PLATE,TRANS ISOLATOR MOUNT.....2					
22	117779GT	ISOLATOR,RUBBER,TRANS.....4					
23	6024GT	NUT,NYLOCK,5/8-11					
24		Ref. PUMP, SAUER SERIES 45 <i>(refer to 814.1)</i>					
25	7-229-896GT	BOLT/3/8 UNF-2AX3/4 LG.					
26	123577GT	STRAP KIT,DRIVESHAFT,1480.....1 <i>required for installation of the driveshafts</i>					

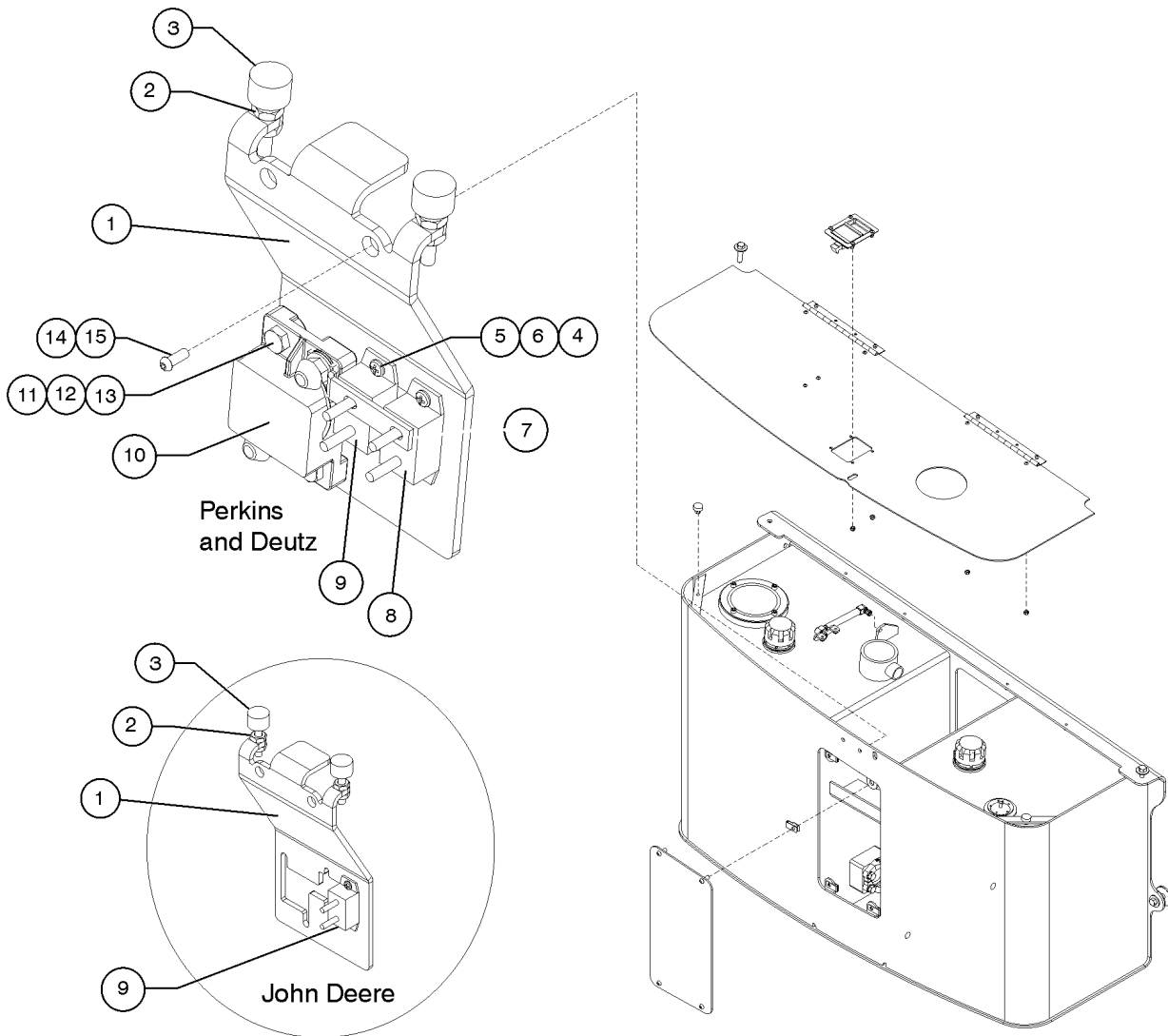
217.1 Fuel and Hydraulic Tank Assembly



## 217.1 Fuel and Hydraulic Tank Assembly

Item	Part No.	Description	Qty.	Item	Part No.	Description	Qty.
--	123915GT	PLATE,TANK SIDE ACCESS COVER.....1		--	217206GT	ASSEMBLY, FUEL SENDER <i>(from SN GTH1012-16292)</i>	
--	117302GT	TANK ASSY,GTH1056/48		27	55675GT	LATCH, LRG PADDLE HANDLE GS90...1	
--	117414GT	FITTING,SIGHT GLASS,#24,O.R.		28	123432GT	FORMING,STRUT MOUNT.....1	
--	123152GT	1"O-RING PLUG		29	7713GT	NUT, LP NYLOCK, 3/8-16	
1	6878GT	BOLT,CARRIAGE,1/4-20 X .75,G2		30	78086GT	BALL STUD, GAS STRUT, 3/8-16.....2	
2	6091GT	NUT,NYLOCK,1/4-20		31	130476GT	FORMING,UPPER DOOR MOUNT.....1 <i>Serial numbers from 14001 to 16291</i>	
3	123914GT	PLATE,TANK TOP COVER.....1		--	215326GT	FORMING,BREAKER PANEL.....1 <i>Serial numbers from 16292 to 16760</i>	
4	47569GT	HINGE,11"X 2.5"X.44".....2		--	219725GT	FORMING, BREAKER PANEL.....1 <i>Serial numbers from 16761 to 19340</i>	
5	39542GT	GAS SHOCK,SCISSORS***.....1		32	117379GT	ELEMENT,HYDRAULIC FILTER.....1	
6	123148GT	BREATHER,FILLER,3 PSI.....1		33	123644GT	FUEL FITTING,3/8 STRAIGHT <i>return fitting for all engines; outlet for all engines except Perkins 1204E</i>	
7	117492GT	SCREW,HHC,1/2-13X2.50,GR8.....2		--	823217GT	FITTING,FUEL,#8 ORB TO 1/2 HB <i>outlet fitting for Perkins 1204E engine</i>	
8	6095GT	WASHER,FLAT,USS,1/2",Y					
9	24040GT	WASHER, 1/2 PLATE (1/2 X 2.25 X 3/16)					
10	117493GT	NUT,NYLOCK,1/2-13,GR8.....4					
11	229011GT	FORMING,BATT CABLE BRKT, PERKINS.....1 <i>from S/N 11-15460</i>					
12	229014GT	FORMING,BATT CABLE BRKT, JD.....1 <i>S/N 11-14302 and from S/N 11-15460</i>					
13	6-5205-16GT	SCREW,HHC,5/16-18 X 2.00,GR8.....1 <i>S/N 11-14302 and from S/N 11-15460</i>					
14	123176GT	PLATE, TOP.....4 <i>S/N 11-14302 and from S/N 11-15460</i>					
15	7-273-27GT	CLAMP HALVES,TWIN,3/8"PIPE.....8 <i>S/N 11-14302 and from S/N 11-15460</i>					
16	6-5205-16GT	SCREW,HHC,5/16-18 X 2.00,GR8.....1 <i>S/N 11-14302 and from S/N 11-15460</i>					
17	130718GT	BATTERY CABLE ASSY,RED,000.....1					
--	141174GT	BOOT,BATTERY CABLE,3/0 RED					
--	229022GT	BATT CABLE ASSY,RED,3/0.....1 <i>from S/N 11-15460</i>					
18	130719GT	BATTERY CABLE ASSY,BLACK,000.....1					
--	7-319-17GT	GROUND STRAP,12 IN.....1					
19	67325GT	BATTERY,12V 1000CCA,5/16STUD W...1					
--	234966GT	OPTION,BATTERY BLANKET,1056 <i>includes GPN 28853 battery blanket and GPN 23877 cable ties,28" (4)</i>					
--	234969GT	BATTERY,AGM,GP31,1150CCA <i>optional battery</i>					
20	123149GT	FORMING,BATTERY HOLDDOWN.....1					
21	123150GT	HOOK, BATTERY HOLD DOWN.....2					
22	117491GT	SCREW,HHC,1/2-13X2.00 GR8.....2					
23	130507GT	WELDMNT,10XX HYDRAULIC TANK...1					
--	123915GT	PLATE,TANK SIDE ACCESS COVER					
24	123147GT	FILLER CAP, FUEL, BREATHER.....1					
25	79090GT	BUMPER, 1.00 X .375 X 5/16.....4					
26	123151GT	KIT, FUEL SENDER.....1 <i>(before SN GTH1012-16291)</i>					

217.2 Engine Circuit Breakers- Fuel and Hydraulic Tank (from Serial Number GTH1012-16292)

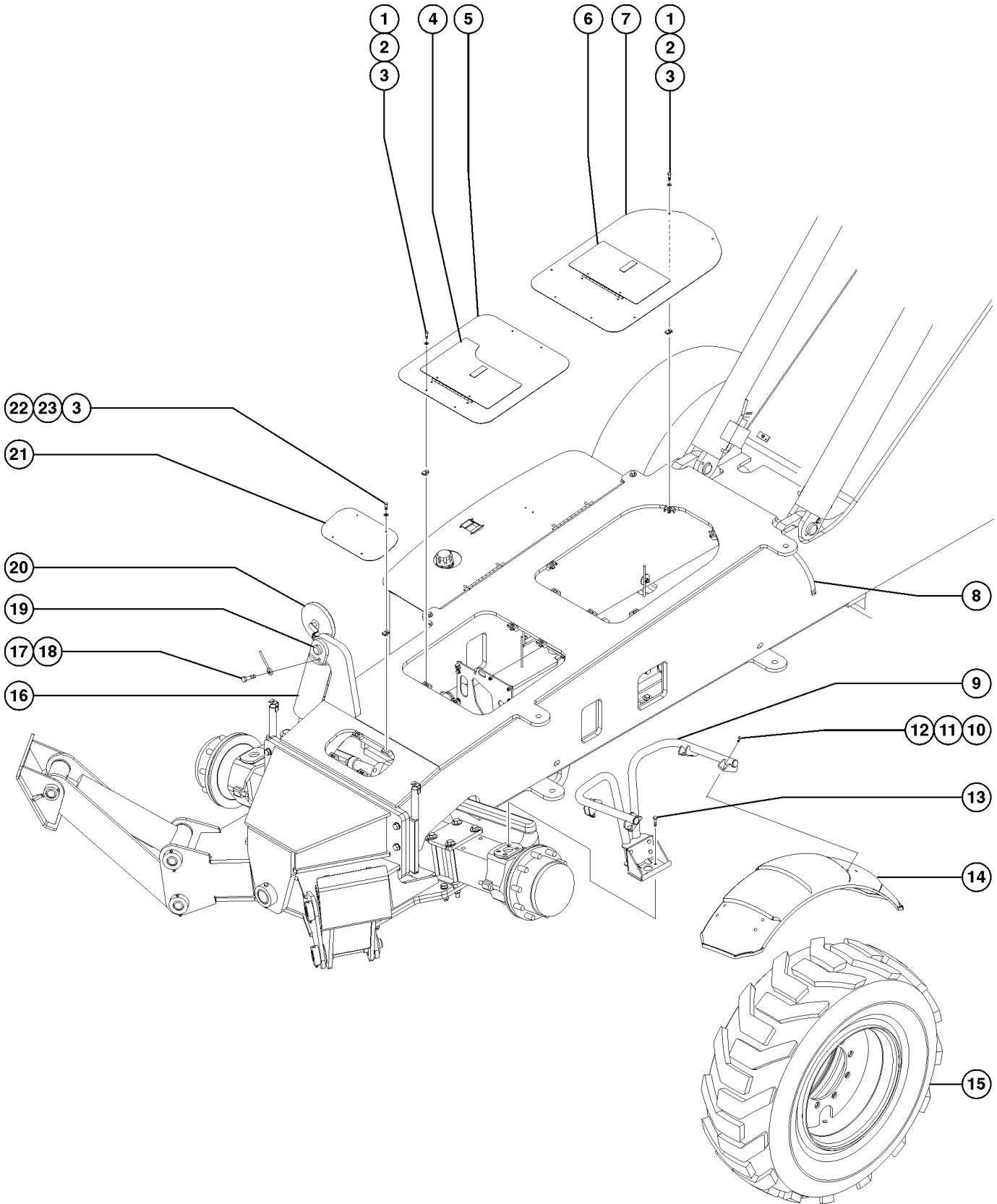




## 217.2 Engine Circuit Breakers- Fuel and Hydraulic Tank (from Serial Number GTH1012-16292)

Item	Part No.	Description	Qty.
--	215327GT	BREAKER PANEL ASSEMBLY- PERKINS & DEUTZ	
--	218077GT	BREAKER PANEL ASSEMBLY- JOHN DEERE	
1	215326GT	FORMING,BREAKER PANEL.....1 <i>Serial numbers from 16292 to 16760</i>	
--	219725GT	FORMING, BREAKER PANEL.....1 <i>Serial numbers from 16761 to 19340</i>	
2	66094GT	NUT-THIN HEAVY HEX, 1/4-20.....2	
3	36388GT	BUMPER,RUBBER,.75 X .50H,STUD.....2	
4	56286GT	SCREW,RHM,8-32 X .75.....4	
5	35461GT	WASHER,FLAT,MS,#8,Y.....4	
6	18605GT	NUT,NYLOCK,8-32.....4	
7	236979GT	FORMING, BUSS BAR.....1	
8	229993GT	CIRCUIT BREAKER, 30AMP.....1	
--	123677GT	CIRCUIT BREAKER BOOT.....1	
9	229994GT	CIRCUIT BREAKER, 50AMP.....1	
--	123677GT	CIRCUIT BREAKER BOOT.....1	
10	233569GT	CIRCUIT BREAKER, 60AMP.....1	
11	8915GT	SCREW,HHC,1/4-20 X 1.25.....4	
12	6638GT	WASHER,FLAT,USS,1/4"Y.....4	
13	66094GT	NUT-THIN HEAVY HEX, 1/4-20.....4	
14	28487GT	SCREW,BHHS,3/8-16 X 1.....2	
15	108581GT	SPRING CLIP,3/8-16 LG ZINC.....2	

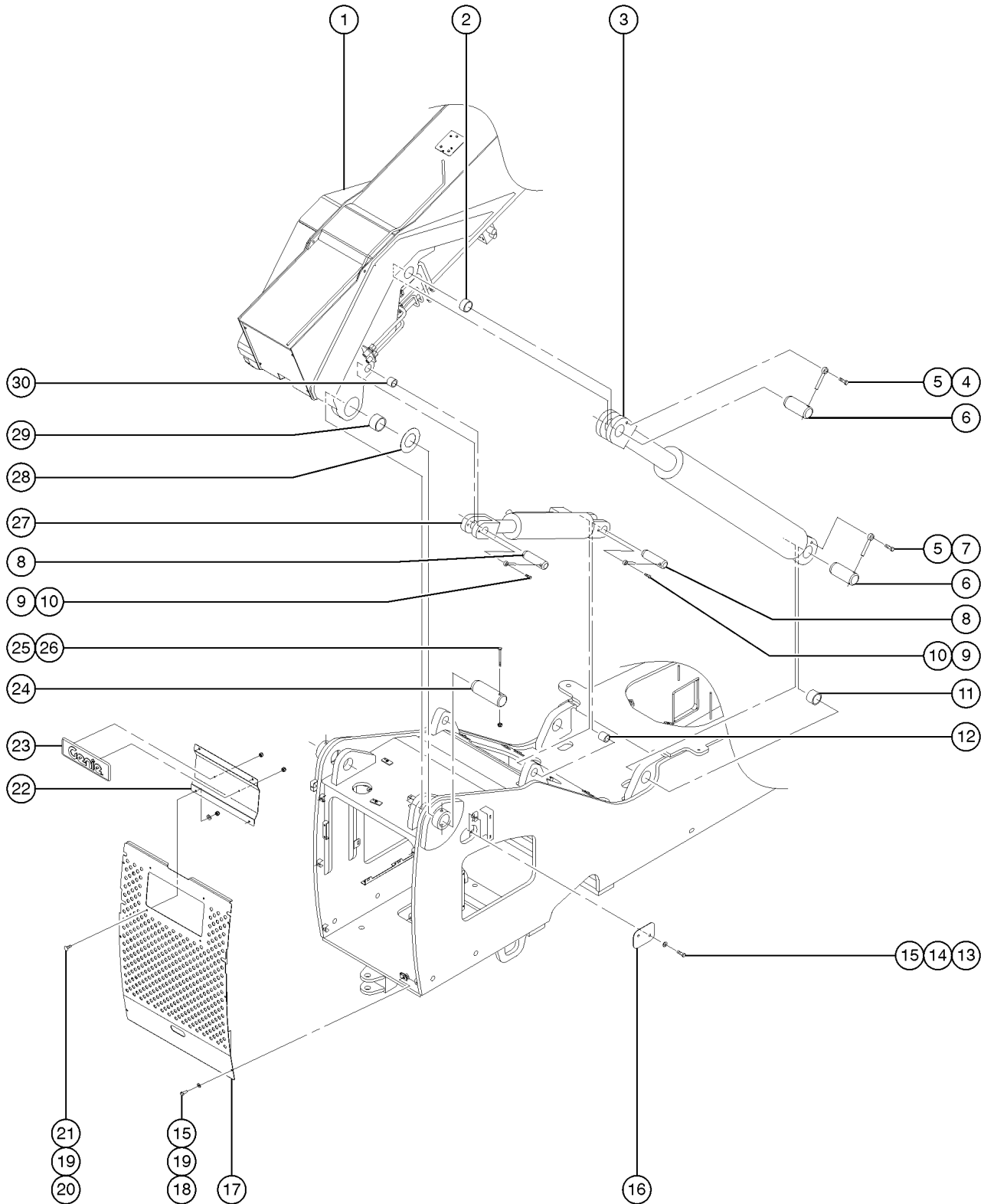
218.1 General Assembly



## 218.1 General Assembly

Item	Part No.	Description	Qty.	Item	Part No.	Description	Qty.
--	7-369-01GT	HORN.....	1	15E	226608GT	TIRE,ROCKLUG,AIR,1400X24.....	4
1	6145GT	SCREW,HHC,1/4-20 X 1.5		--	117583GT	WHEEL,9X24,0.5"INSET for 226608	
2	6638GT	WASHER,FLAT,USS,1/4"Y		--	7-128-02GT	TIRE,TITAN E-3/L3-3 1400X24 for 226608	
3	56912GT	SPRING CLIP,1/4-20,.025-.15X.54,ZAG		15F	226607GT	TIRE,ROCKLUG,FOAM,1400X24.....	4
4	117434GT	PLATE,HYD ACCESS DOOR.....	1	15G	229002GT	TIRE&WHEEL,14X24 AIR,16PR,LT.....	2
--	123287GT	LATCH,COMPRESSION,WIDE GRIP		15G	229003GT	TIRE&WHEEL,14X24 AIR,16PR, RT.....	2
5	117519GT	MANIFOLD COVER ASSY,GTH10XX.....	1	--	117583GT	WHEEL,9X24,0.5"INSET for 229003, 229002	
--	117539GT	HINGE,BAT COV & ENG ENCLOSURE		--	229001GT	TIRE,14.00X24 GS3000,10K,16PR for 229003, 229002	
6	218049GT	PLATE, TRANS.DIPSTICK COVER.....	1	15H	229004GT	TIRE&WHEEL,14X24 FOAM,16PR,LT....	2
--	123287GT	LATCH,COMPRESSION,WIDE GRIP		15H	229005GT	TIRE&WHEEL,14X24 FOAM,16PR,RT...2	2
7	215783GT	WELDMENT, ZF TRANS.COVER.....	1	15K	160340GT	TIRE&WHEEL,14X24 FOAM,RH,12PR...2	2
8	7-319-17GT	GROUND STRAP,12 IN.....	1	15K	160341GT	TIRE&WHEEL,14X24 FOAM,LH,12PR...2	2
9	235389GT	FENDER ASSY,SERVICE PART.....	1	15L	160342GT	TIRE&WHEEL,14X24 AIR,RH,12PR.....	2
--	123920GT	CAP,LDPE,1.50"ODX10-14 GA WALL		15L	160343GT	TIRE&WHEEL,14X24 AIR,LH,12PR.....	2
--	123930GT	WELDMENT,FENDER FRAME MOUNT		--	117583GT	WHEEL,9X24,0.5"INSET for 160342, 160343	
10	64154GT	BOLT,CARRIAGE,3/8-16 X1.00,G5.....	12	--	160344GT	TIRE,FIRESTONE SSG,14X24,12PR for 160342, 160343	
11	6097GT	WASHER,FLAT,USS,3/8",Y		15P	823117GT	TIRE&WHEEL,SOLIDBOSS,14X24,RH Solidboss, foam-filled, right	
12	4828GT	NUT,NYLOCK,3/8-16		15P	823118GT	TIRE&WHEEL,SOLIDBOSS,14X24,LH Solidboss, foam-filled, left	
13	823664GT	SCREW,HHC,M12-1.25X40MM,10.9,Y		16	1253248GT	CYLINDER,SWAY.....	1
14	7-119-01GT	FENDER,FULL WHEEL,UTILITY.....	4	--	123894GT	VALVE,CB.CBCG-LJN@3200.....	2
15A	1254578GT	TIRE&WHEEL,14X24,AIR,LEFT EXTREMELIFT.....	2	--	1258125GT	SEAL KIT, SWAY CYL 1253248/49	
15A	1254579GT	TIRE&WHEEL,14X24,AIR,RIGHT EXTREMELIFT.....	2	17	6175GT	SCREW,HHC,3/8-16 X 1	
--	117583GT	WHEEL,9X24,0.5"INSET for 1254579, 1254578		18	825019GT	ROD END,.375X3.69,ZAG	
--	1254512GT	TIRE,14X24,12PR for 1254579, 1254578		19	117125GT	PIN,2.00DIA X 4.00LG,1 HOLE.....	1
15B	1254580GT	TIRE&WHEEL,14X24,CRUMB,LEFT EXTREMELIFT.....	2	20	123142GT	MIRROR,8 1/2,CONVEX.....	1
15B	1254581GT	TIRE&WHEEL,14X24,CRUMB,RIGHT EXTREMELIFT.....	2	21	117062GT	PLATE,FRONT AXLE COVER.....	1
15C	117608GT	TIRE&WHEEL,14X24,AIR,RT,12PR.....	1	22	6090GT	SCREW,HHC,1/4-20 X .75	
15C	117609GT	TIRE&WHEEL,14X24,AIR,LT,12PR.....	1	23	75144GT	WASHER,FLAT,SAE 1/4,ZINC	
--	117583GT	WHEEL,9X24,0.5"INSET for 117608, 117609					
--	123232GT	TIRE,14.00 X 24 G3000 10K,12PR for 117608, 117609					
15D	117606GT	TIRE&WHEEL,14X24,FOAM,RT,12PR....	2				
15D	117607GT	TIRE&WHEEL,14X24,FOAM,LT,12PR....	2				

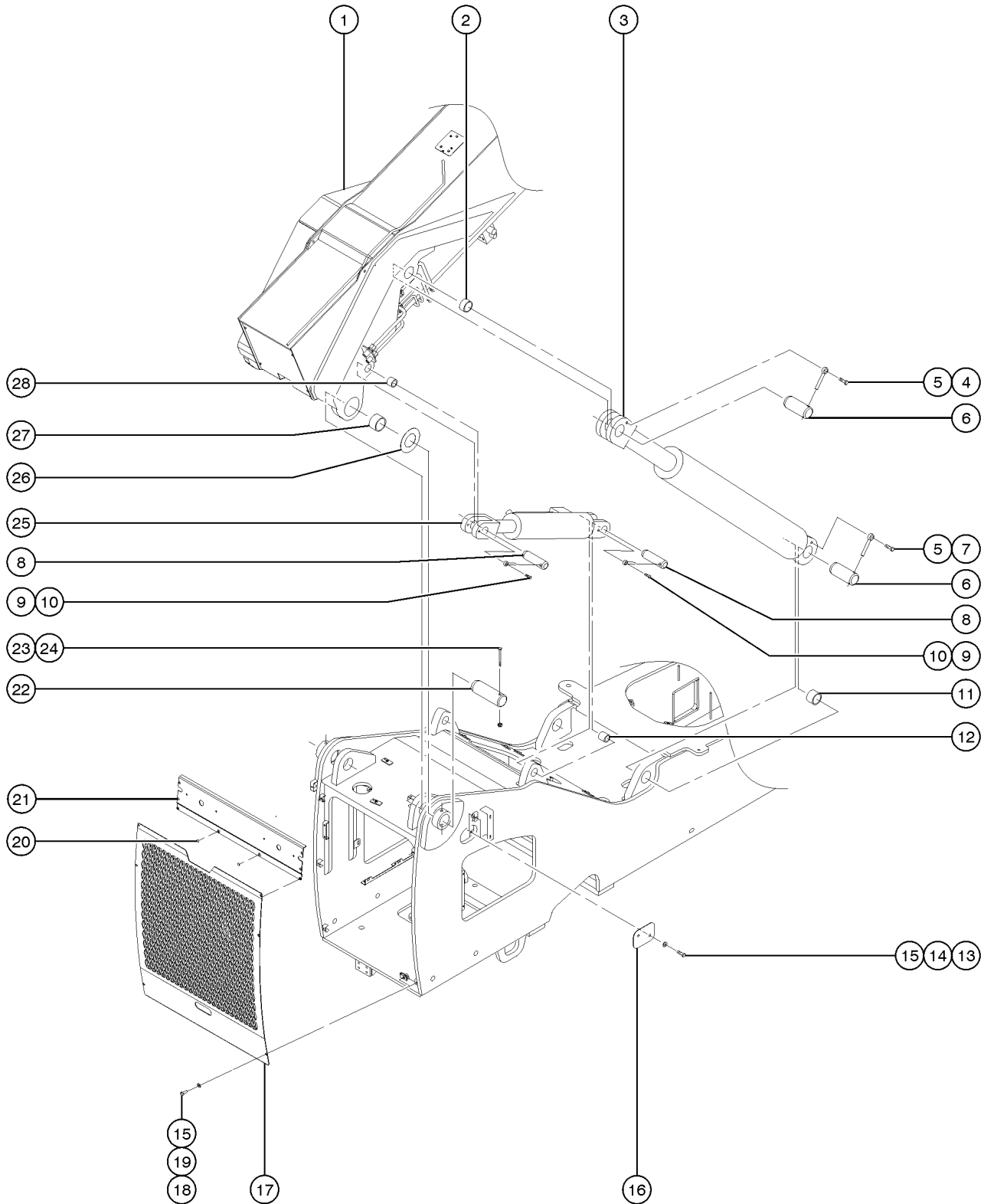
219.1 Rear Chassis View (to Serial Number GTH1012-16291)



## 219.1 Rear Chassis View (to Serial Number GTH1012-16291)

Item	Part No.	Description	Qty.
1		Ref. LARGE BOOM ASSEMBLY (refer to 703.1)	
2	108864GT	BEARING,2.50IDX3.00 ODX1.50LG.....2	
3	1253243GT	CYLINDER,LIFT,1056.....2	
--	1258120GT	SEAL KIT,CYLINDER 1253243 for 1253243	
--	130415GT	SEAL KIT,CYLINDER,5.51BX3.54R for 108809	
--	76069GT	VALVE,COUNTERBALANCE 4000 PSI	
4	8177GT	SCREW,HHC,1/2-13 X 1.5	
5	1256267GT	ROD END,.5 X 3.75,ZAG	
6	108859GT	PIN,2.50DIA X 5.94LG,1HOLE.....2	
7	123663GT	SCREW,HHC,1/2-13X1.25,GR8,Y.....2	
8	108855GT	PIN,1.50DIA X 5.25LG,1HOLE.....2	
9	6019GT	SCREW,HHC,3/8-16 X 1.25 GRD 5	
10	1255452GT	ROD END,.375 X 2.25,ZAG	
11	108865GT	BEARING,2.50IDX3.00ODX2.00LG.....2	
12	108863GT	BEARING,1.50IDX2.00ODX2.00LG.....2	
13	6637GT	SCREW,HHC,1/4-20 X 1.75	
14	6638GT	WASHER,FLAT,USS,1/4"Y	
15	56912GT	SPRING CLIP,1/4-20,.025-.15X.54,ZAG	
16	123762GT	PLATE,REAR CUT OUT COVER.....1 (includes items 18 through 23)	
17	T107224GT	ASSY, REAR COVER.....1 (replaced 123207) (includes items 15 and 18-23)	
--	T107225GT	WELDMENT,REAR ENGINE COVER (replaced 123542)	
18	6090GT	SCREW,HHC,1/4-20 X .75	
19	75144GT	WASHER,FLAT,SAE 1/4,ZINC	
20	6878GT	BOLT,CARRIAGE,1/4-20 X .75,G2	
21	6091GT	NUT,NYLOCK,1/4-20	
22	123206GT	PLATE,GENIE EMBLEM MOUNT	
23	123376GT	EMBLEM,GENIE,12 IN.....1	
24	108860GT	PIN,3.00DIA X 9.00LG,1HOLE.....2	
25	61385GT	SCREW,HHC,1/2-13 X 5.25	
26	6198GT	NUT,NYLOCK,1/2-13	
27	1253246GT	CYLINDER,MASTER,1056	
--	1258123GT	SEAL KIT,CYLINDER 1253246.....1	
28	117051GT	WASHER,THRUST,3.06X6.00X.06	
29	108862GT	BEARING,3.00IDX3.50ODX2.00LG.....2	
30	117304GT	BEARING,1.5"IDX2"ODX1.5"LG.....2	

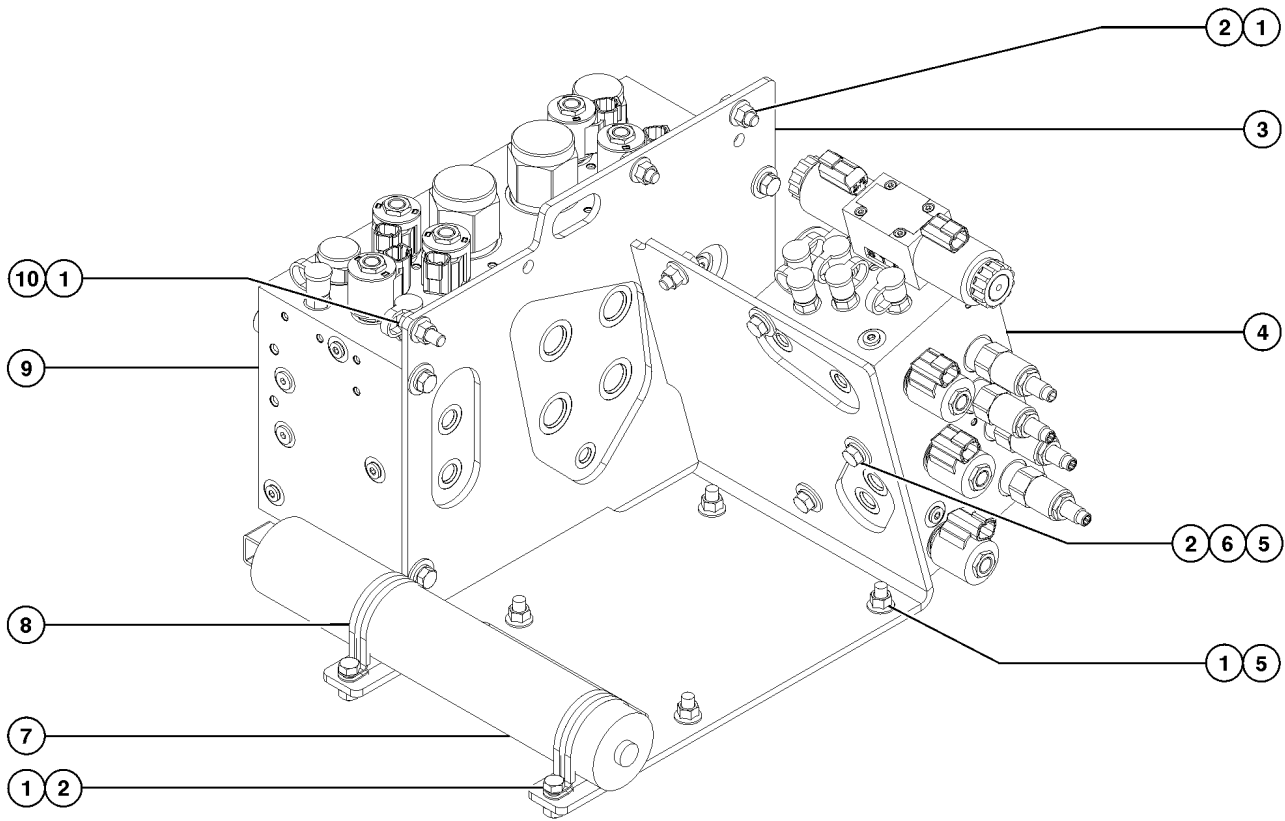
219.2 Rear Chassis View (from Serial Number GTH1012-16292)



## 219.2 Rear Chassis View (from Serial Number GTH1012-16292)

Item	Part No.	Description	Qty.	Item	Part No.	Description	Qty.
--	1255578GT	KIT,PINTLE HOOK HITCH,GTH (from GTH1012-16292) (includes hitch, fasteners and instructions)		27	108862GT	BEARING,3.00IDX3.50ODX2.00LG.....2	
1		Ref. LARGE BOOM ASSEMBLY (refer to 703.1)		28	117304GT	BEARING,1.5"IDX2"ODX1.5"LG.....2	
2	108864GT	BEARING,2.50IDX3.00 ODX1.50LG.....2					
3	1253243GT	CYLINDER,LIFT,1056.....2					
--	1258120GT	SEAL KIT,CYLINDER 1253243					
--	130415GT	SEAL KIT,CYLINDER,5.51BX3.54R for 108809					
--	76069GT	VALVE,COUNTERBALANCE 4000 PSI					
4	8177GT	SCREW,HHC,1/2-13 X 1.5					
5	1256267GT	ROD END,.5 X 3.75,ZAG					
6	108859GT	PIN,2.50DIA X 5.94LG,1HOLE.....2					
7	123663GT	SCREW,HHC,1/2-13X1.25,GR8,Y.....2					
8	108855GT	PIN,1.50DIA X 5.25LG,1HOLE.....2					
9	6019GT	SCREW,HHC,3/8-16 X 1.25 GRD 5					
10	1255452GT	ROD END,.375 X 2.25,ZAG					
11	108865GT	BEARING,2.50IDX3.00ODX2.00LG.....2					
12	108863GT	BEARING,1.50IDX2.00ODX2.00LG.....2					
13	6637GT	SCREW,HHC,1/4-20 X 1.75					
14	6638GT	WASHER,FLAT,USS,1/4"Y					
15	56912GT	SPRING CLIP,1/4-20,.025-.15X.54,ZAG					
16	219151GT	PLATE,REAR CUT OUT COVER.....1					
17A	161925GT	ASSY, REAR COVER TIER 4.....1 (from SN 16292 to 16601) (includes items 15 & 17-21)					
--	233833GT	FORMING, REAR ENGINE COVER TIER 4					
17B	233831GT	ASSY, REAR COVER TIER 4.....1 (from sn 16602) (includes items 15 & 17-21)					
--	233833GT	FORMING, REAR ENGINE COVER TIER 4					
18	6090GT	SCREW,HHC,1/4-20 X .75					
19	75144GT	WASHER,FLAT,SAE 1/4,ZINC					
20	47478GT	BUMPER, RUBBER, 1"OD X .461H					
21A	161924GT	FORMING, REAR LIGHT PLATE.....1 (from SN 16292 to 16601)					
21B	233827GT	FORMING, REAR LIGHT PLATE.....1 (from SN 16602)					
22	108860GT	PIN,3.00DIA X 9.00LG,1HOLE.....2					
23	61385GT	SCREW,HHC,1/2-13 X 5.25					
24	6198GT	NUT,NYLOCK,1/2-13					
25	1253246GT	CYLINDER,MASTER,1056					
--	1258123GT	SEAL KIT,CYLINDER 1253246.....1					
26	117051GT	WASHER,THRUST,3.06X6.00X.06					

220.1 Function Manifold Assembly

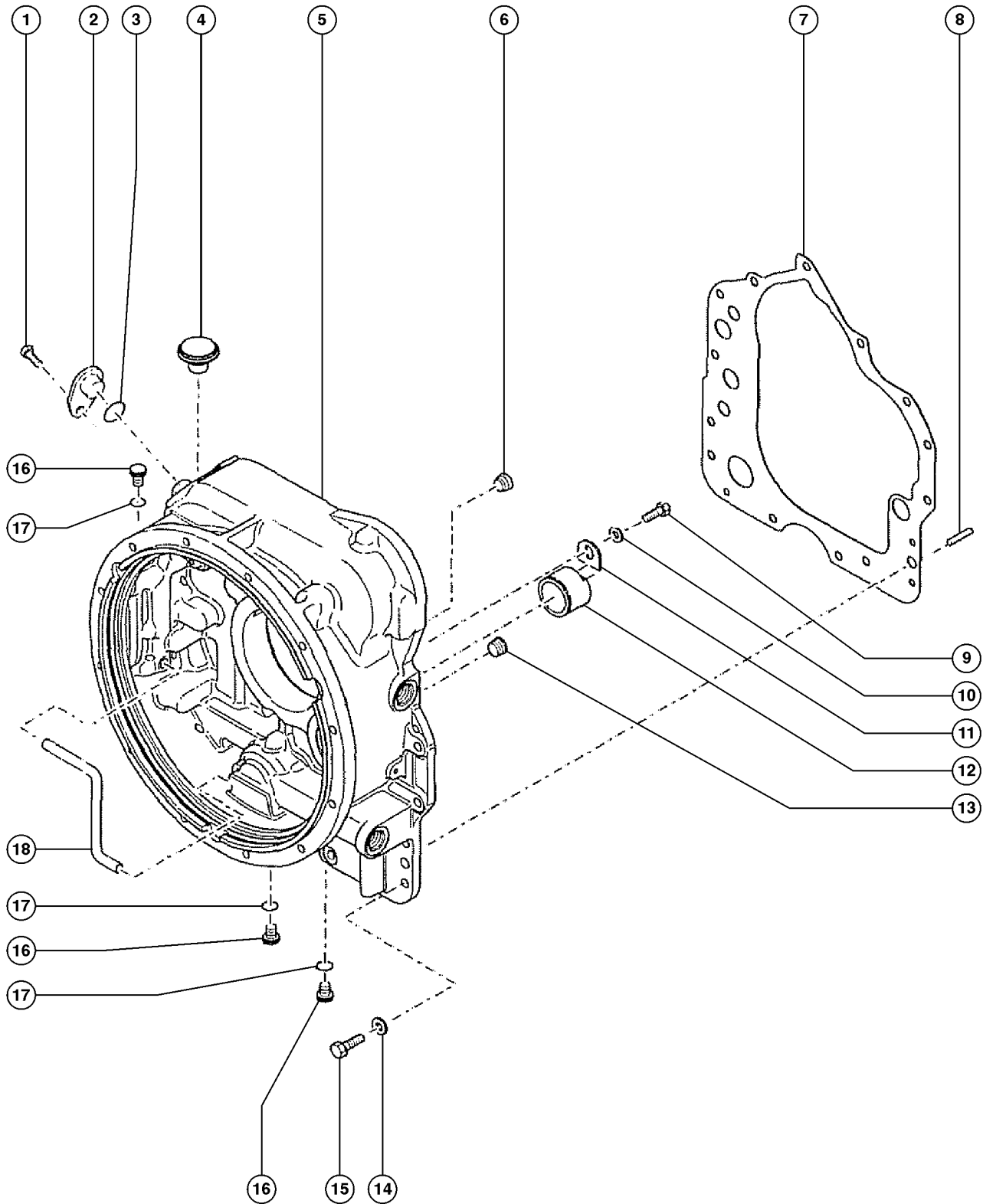




## 220.1 Function Manifold Assembly

Item	Part No.	Description	Qty.
1	824029GT	NUT,TL FLG,3/8-16,G,ZAG	
2	827067GT	SCREW,HHC,3/8-16X1,8,ZAG	
3	1253936GT	WELDMENT,MANIFOLD MOUNT	
4	117167GT	MANIFOLD,SECONDARY FUNCTION (ref 810.1)	
5	1255757GT	BOLT,CARRIAGE,3/8-16X1.25,5,ZAG	
6	1255758GT	WASHER,FLAT,3/8,USS,ZAG	
7	117666GT	ACCUMULATOR,29CC,400PSI	
8	87188GT	CLAMP,2.38,#38 X 3/8 RUB CUSH	
9	214436GT	MANIFOLD,SJ MAIN FUNCTION (ref 808.1)	
--	214435GT	MANIFOLD,DJ MAIN FUNCTION (ref 809.1)	
10	824068GT	SCREW,HHC,3/8-16X1.25,8,ZAG	

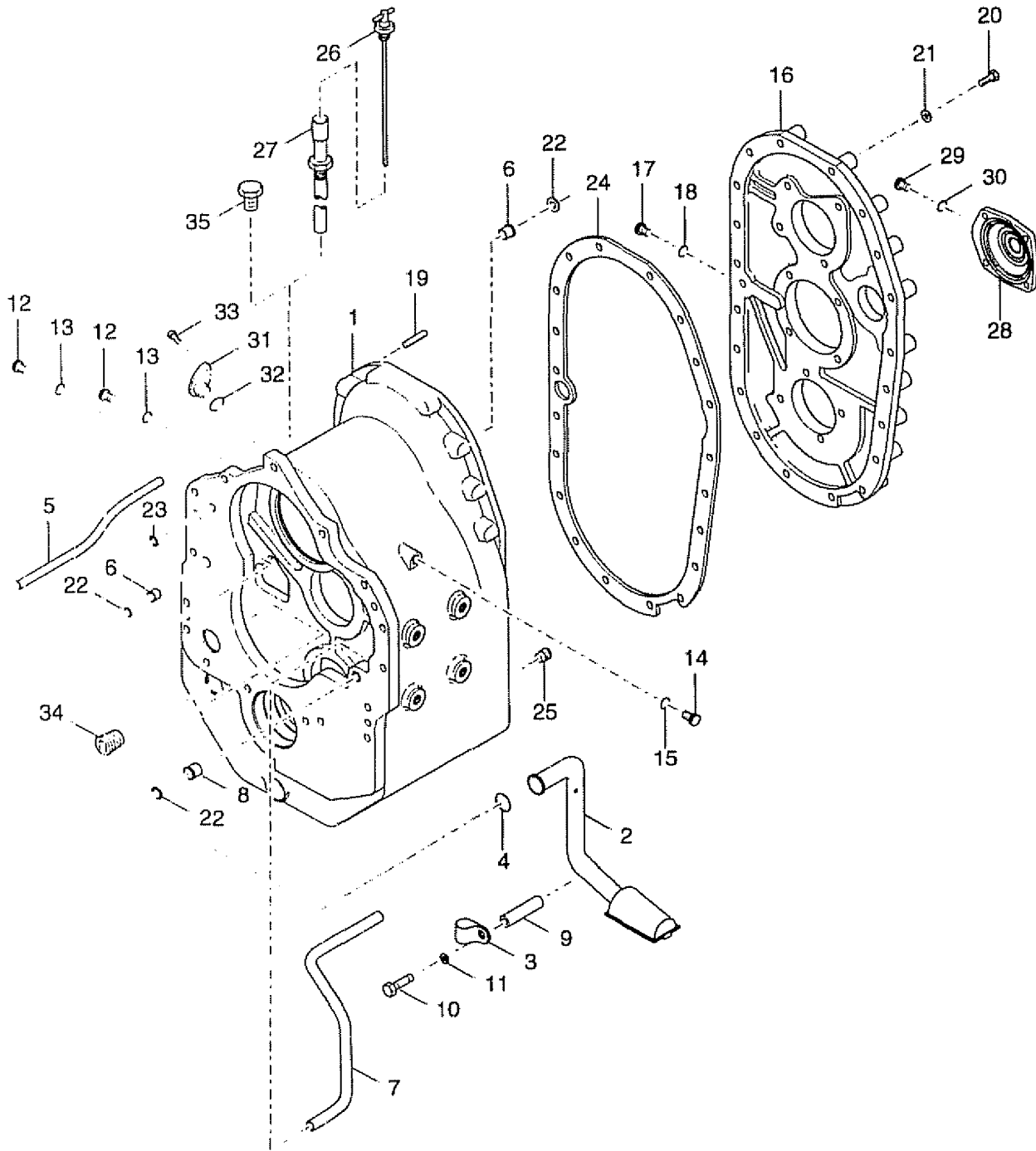
301.1 Converter Housing Assembly



## 301.1 Converter Housing Assembly

Item	Part No.	Description	Qty.
1	7-126-405GT	SCREW,SPEED SENSOR.....	1
2	7-126-404GT	PLUG,SPEED SENSOR PORT..... <i>(port is plugged and is not used)</i>	1
3	7-126-356GT	O-RING,SPEED SENSOR.....	1
4	7-126-05GT	BREATHER / AIR.....	1
5	7-126-608GT	ASSY,CONVERTER HOUSING..... <i>(includes item 18)</i>	1
--	226296GT	ASSY,CONVERTER HOUSING,REFURB.	
6	7-126-07GT	PIPE PLUG.....	1
7	7-126-611GT	GASKET,CONVERTER HOUSING.....	1
8	7-126-612GT	PIN.....	1
9	7-126-15GT	SCREW.....	1
10	7-126-14GT	LOCKWASHER.....	1
11	7-126-613GT	SCREW,CLIP.....	1
12	7-126-610GT	SLEEVE,CONVERTER HOUSING.....	1
13	7-126-08GT	PLUG,PIPE.....	1
14	7-126-10GT	LOCKWASHER,TUBE CLIP SCREW.....	1
15	7-126-533GT	SCREW,CONV.HSG.TO TRANS.CASE.....	16
16	7-126-528GT	PLUG,LUBE PORT..... <i>(includes item 17)</i>	3
17	7-126-614GT	O-RING,PLUG.....	3
18	7-126-609GT	TUBE,LUBE.....	1

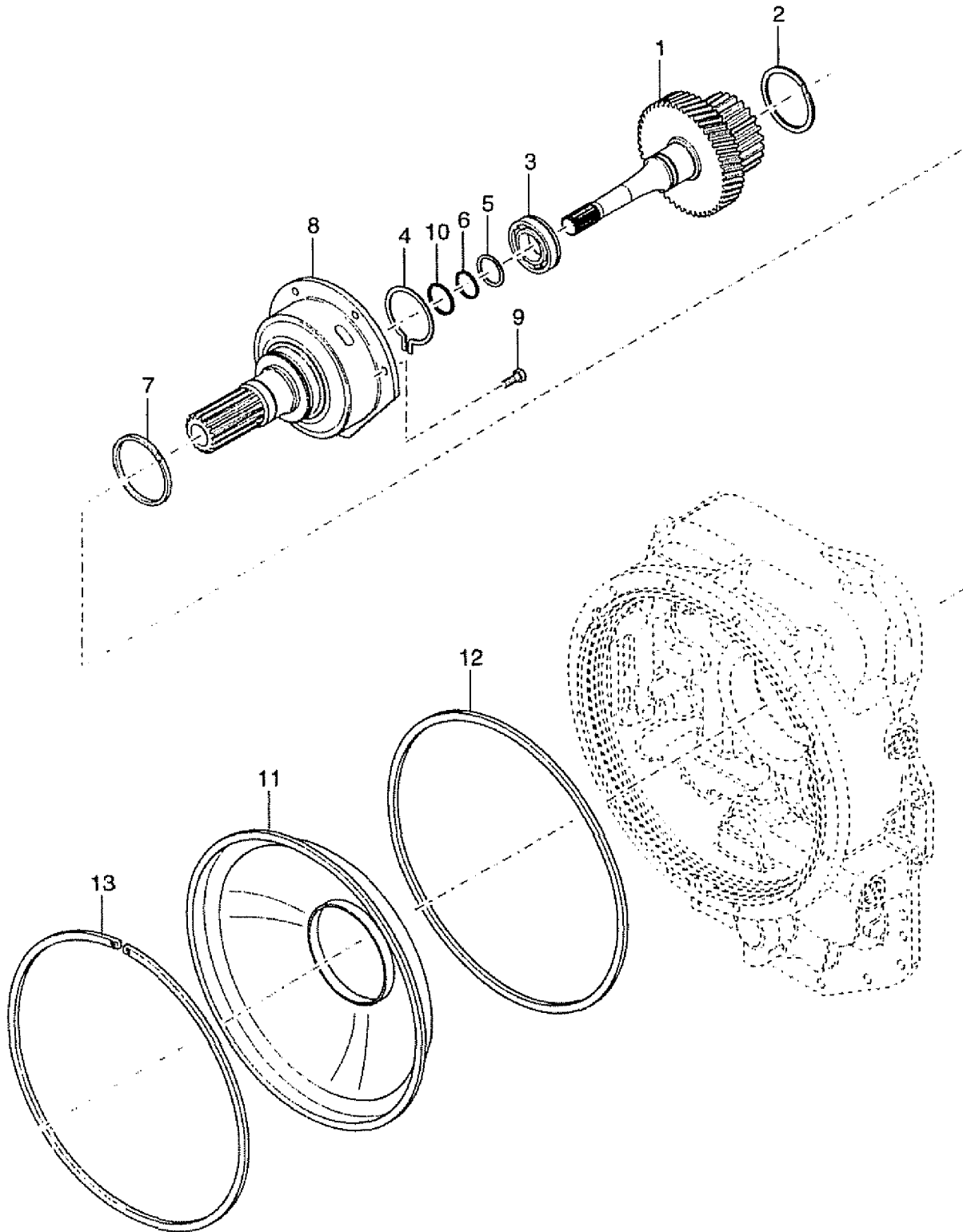
302.1 Transmission Case and Cover Assembly



## 302.1 Transmission Case and Cover Assembly

Item	Part No.	Description	Qty.
1	7-126-615GT	ASSY,TRANSMISSION CASE.....1 <i>(includes items 2-11)</i>	1
--	123515GT	SWITCH,PRESS,NC,150PSI,1/8NPT.....1 <i>(transmission pressure switch)</i>	1
--	123516GT	SWITCH,TEMP,NO,250F,1/2NPT.....1	1
--	141650GT	ADAPTER,04 FORB X02 MP	
--	226295GT	ASSY,TRANSMISSION CASE,REFURB.	
2	7-126-616GT	ASSY,SUCTION TUBE.....1 <i>(includes item 3)</i>	1
3	7-126-617GT	CLIP,CLOSED.....1	1
4	7-126-618GT	O-RING,SUCTION TUBE ASSEMBLY....1	1
5	7-126-23GT	TUBE.....1	1
6	7-126-21GT	SLEEVE,PRESSURE & LUBE TUBE....2	2
7	7-126-619GT	TUBE,LUBE.....1	1
8	7-126-41GT	TUBE SLEEVE.....1	1
9	7-126-620GT	SPACER,TUBE CLIP.....1	1
10	7-126-621GT	SCREW,TUBE CLIP.....1	1
11	7-126-10GT	LOCKWASHER,TUBE CLIP SCREW....1	1
12	7-126-528GT	PLUG,LUBE PORT.....2	2
13	7-126-594GT	O-RING,PLUG.....2	2
14	7-126-593GT	PLUG,LUBE PORT.....1	1
15	7-126-594GT	O-RING,PLUG.....1	1
16	7-126-622GT	ASSY,REAR COVER & PLUG.....1 <i>(includes item 7)</i>	1
17	7-126-528GT	PLUG,LUBE PORT.....1	1
18	7-126-614GT	O-RING,PLUG.....1	1
19	7-126-612GT	PIN.....2	2
20	7-126-624GT	SCREW,REAR COVER TO CASE.....20	20
21	7-126-10GT	LOCKWASHER,TUBE CLIP SCREW....20	20
22	7-126-20GT	O-RING,TUBE.....3	3
23	7-126-22GT	O-RING.....2	2
24	7-126-625GT	GASKET.....1	1
25	7-126-33GT	PLUG,MAGNETIC DRAIN.....2	2
26	7-126-271GT	DIPSTICK.....1	1
27	7-126-270GT	ASSY,DIPSTICK.....1	1
28	7-126-626GT	ASSY,LOW SHAFT BRG.CAP.....1	1
29	7-126-528GT	PLUG,LUBE PORT.....1	1
30	7-126-614GT	O-RING,PLUG.....1	1
31	7-126-404GT	PLUG,SPEED SENSOR PORT.....1	1
32	7-126-356GT	O-RING,SPEED SENSOR.....1	1
33	7-126-405GT	SCREW,SPEED SENSOR.....1	1
34	7-126-627GT	PLUG.....1	1
35		<i>(not used on this model)</i>	

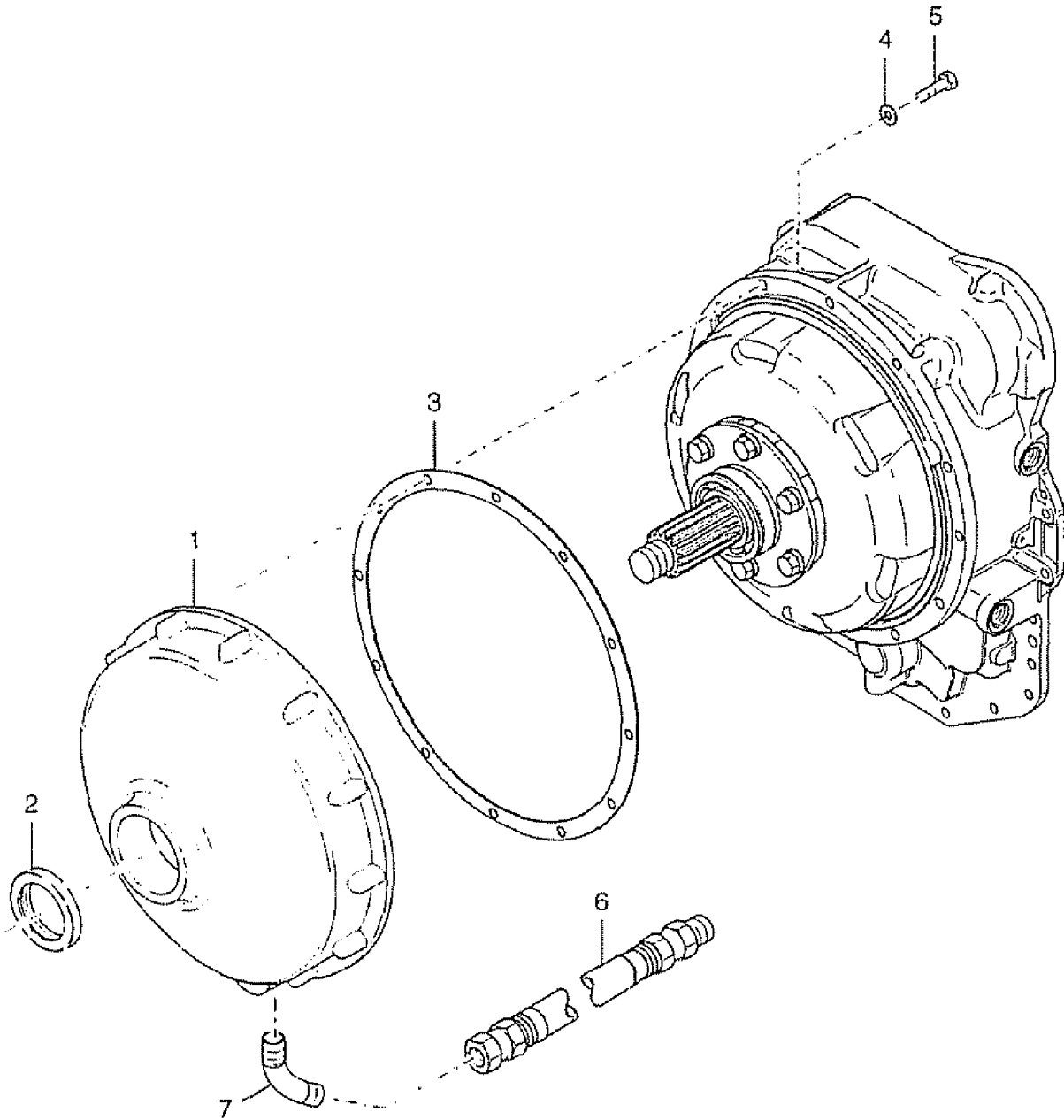
303.1 Turbine Shaft Assembly



## 303.1 Turbine Shaft Assembly

Item	Part No.	Description	Qty.
1	7-126-628GT	ASSY,TURBINE SHAFT RING.....1 <i>(includes item 2)</i>	1
2	7-126-45GT	RING,RETAINING.....1	1
3	7-126-629GT	BALL,BEARING.....1	1
4	7-126-51GT	SNAP RING,BEARING.....1	1
5	7-126-48GT	WASHER,BEARING SUPPORT.....1	1
6	7-126-49GT	RING,BEARING RETAINER.....1	1
7	7-126-630GT	RING,PISTON.....1	1
8	7-126-631GT	SUPPORT,STATOR.....1	1
9	7-126-632GT	SCREW,STATOR SUPPORT.....6	6
10	7-126-633GT	RING,PISTON.....1	1
11	130425GT	BAFFLE,OIL.....1 <i>(includes item 12)</i>	1
12	7-126-539GT	OIL SEAL.....1	1
13	7-126-667GT	RING,OIL BAFFLE SEAL.....1	1
--	7-126-668GT	RING,OIL BAFFLE RETAINING.....1 <i>(not shown)</i>	1

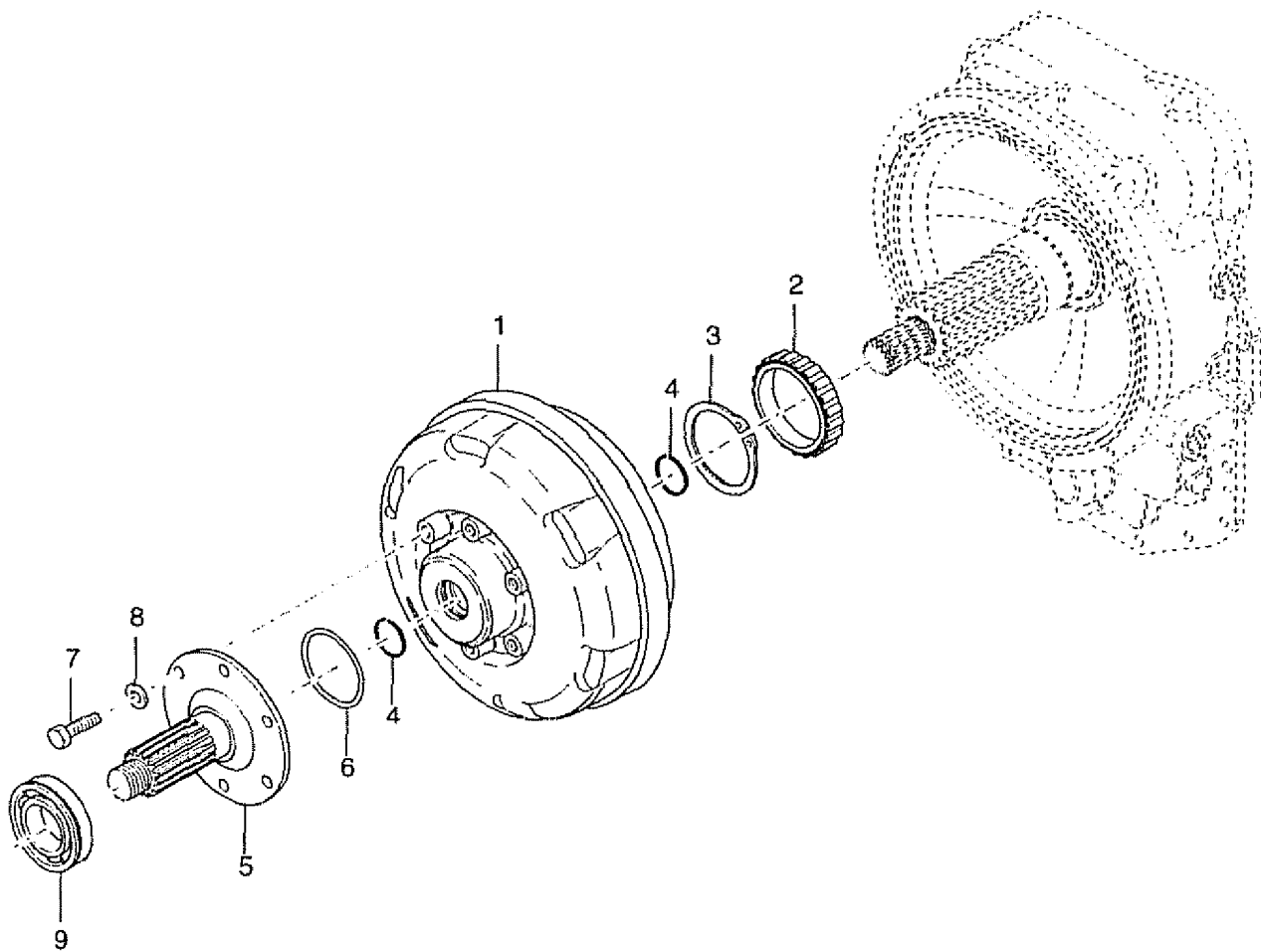
304.1 Front Cover





Item	Part No.	Description	Qty.
--	130460GT	RING.....1 <i>(not shown)</i>	1
--	130461GT	STUD.....6 <i>(not shown)</i>	6
--	7-126-294GT	NUT,REAR BEARING CAP STUD.....6 <i>(not shown)</i>	6
1	130421GT	COVER,CONVERTER.....1	1
2	7-126-122GT	SEAL,OIL,INPUT FLANGE.....1	1
3	130422GT	GASKET.....1	1
4	7-126-54GT	WASHER,LOCK,SPLIT,3/8.....12	12
5	130459GT	SCREW,FRONT COVER TO CONVERTER.....6	6
6	130423GT	ASSY,DRAIN HOSE.....1	1
7	130424GT	FITTING,45 DEGREE,HOSE.....1	1

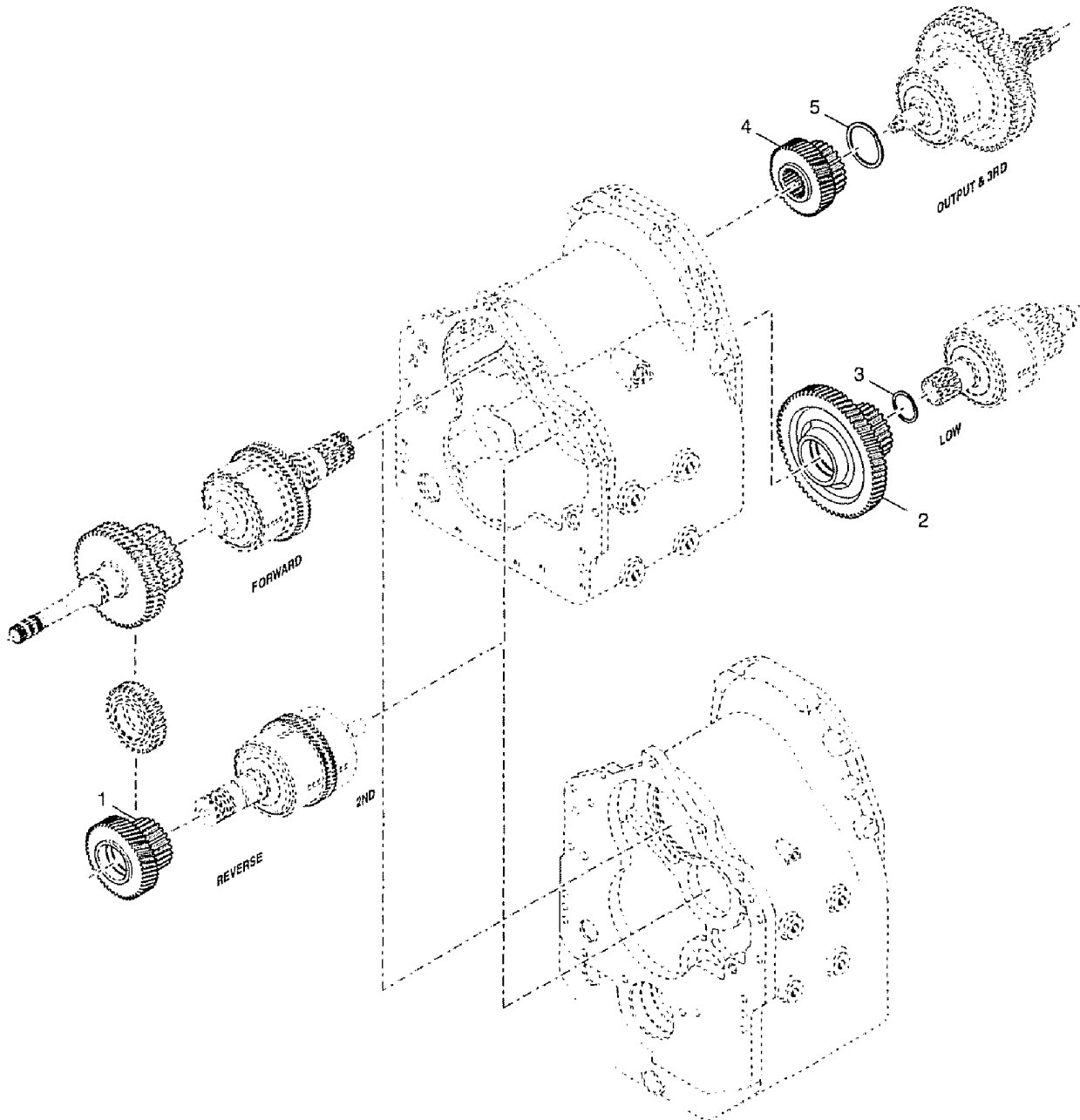
305.1 Torque Converter Assembly



## 305.1 Torque Converter Assembly

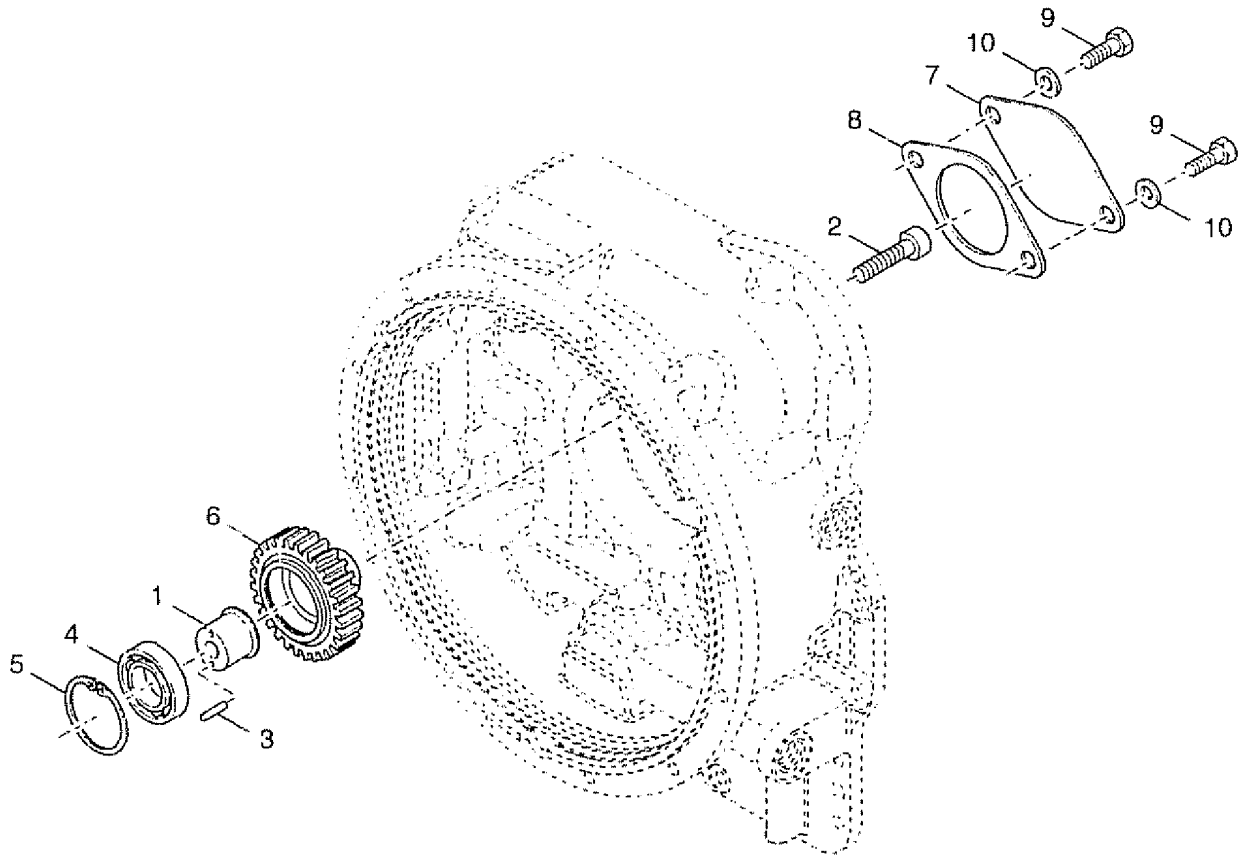
Item	Part No.	Description	Qty.
1	7-126-638GT	ASSY,TORQUE CONVERTER.....	1
2	7-126-540GT	BEARING,IMPELLER HUB GEAR.....	1
3	7-126-639GT	RING,EXTERNAL SNAP.....	1
4	7-126-640GT	RING,TURBINE RETAINING.....	2
5	130426GT	SHAFT,INPUT.....	1
6	130427GT	O-RING,INPUT SHAFT.....	1
7	7-126-53GT	SCREW,INPUT SHAFT TO CONVERTER.....	6
8	7-126-54GT	WASHER,LOCK,SPLIT,3/8.....	6
9	130428GT	BEARING.....	1

306.1 Gear Assembly



Item	Part No.	Description	Qty.
1	7-126-641GT	GEAR,LOW & REVERSE CLUTCH.....1	1
2	130429GT	GEAR,LOW CLUTCH.....1	1
3	7-126-45GT	RING,RETAINING.....1	1
4	7-126-581GT	ASSY,3RD CLUTCH GEAR.....1 <i>(includes item 6)</i>	1
5	7-126-45GT	RING,RETAINING.....1	1

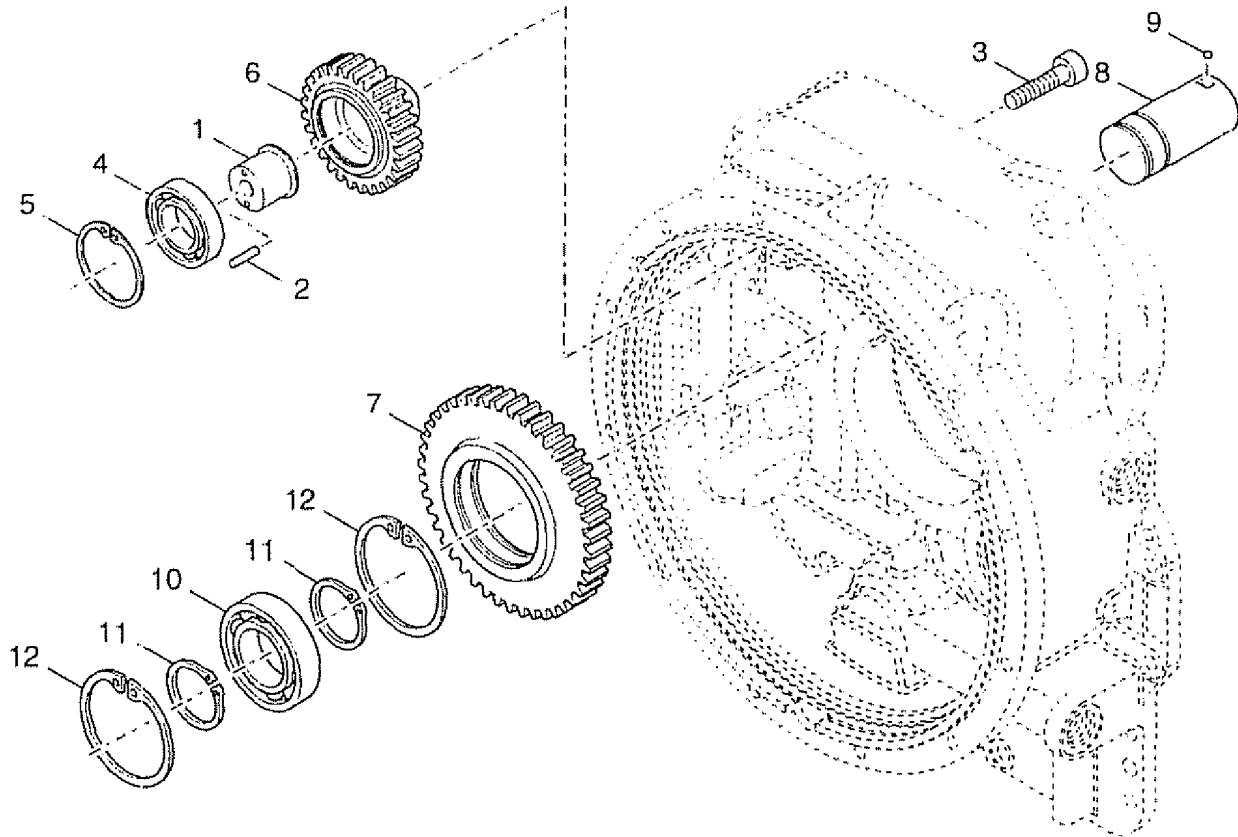
307.1 Auxilliary Pump Drive Assembly



## 307.1 Auxilliary Pump Drive Assembly

Item	Part No.	Description	Qty.
1	7-126-642GT	SUPPORT,PUMP DRIVE BEARING.....1	1
2	7-126-643GT	SCREW,BEARING SUPPORT.....1	1
3	7-126-644GT	PIN,BEARING SUPPORT.....1	1
4	7-126-440GT	BEARING,BALL.....1	1
5	7-126-280GT	RING,RETAINING,DRIVE GEAR BRG....1	1
6	130430GT	GEAR,AUX.PUMP DRIVE.....1	1
7	130431GT	COVER,PUMP MOUNTING,PERMANENT.....1	1
8	130432GT	GASKET.....1	1
9	7-126-519GT	SCREW,PUMP MTG.PERMANENT COVER.....2	2
10	7-126-215GT	LOCKWASHER,PUMP COVER SCREW.....2	2

308.1 Pump Drive Assembly

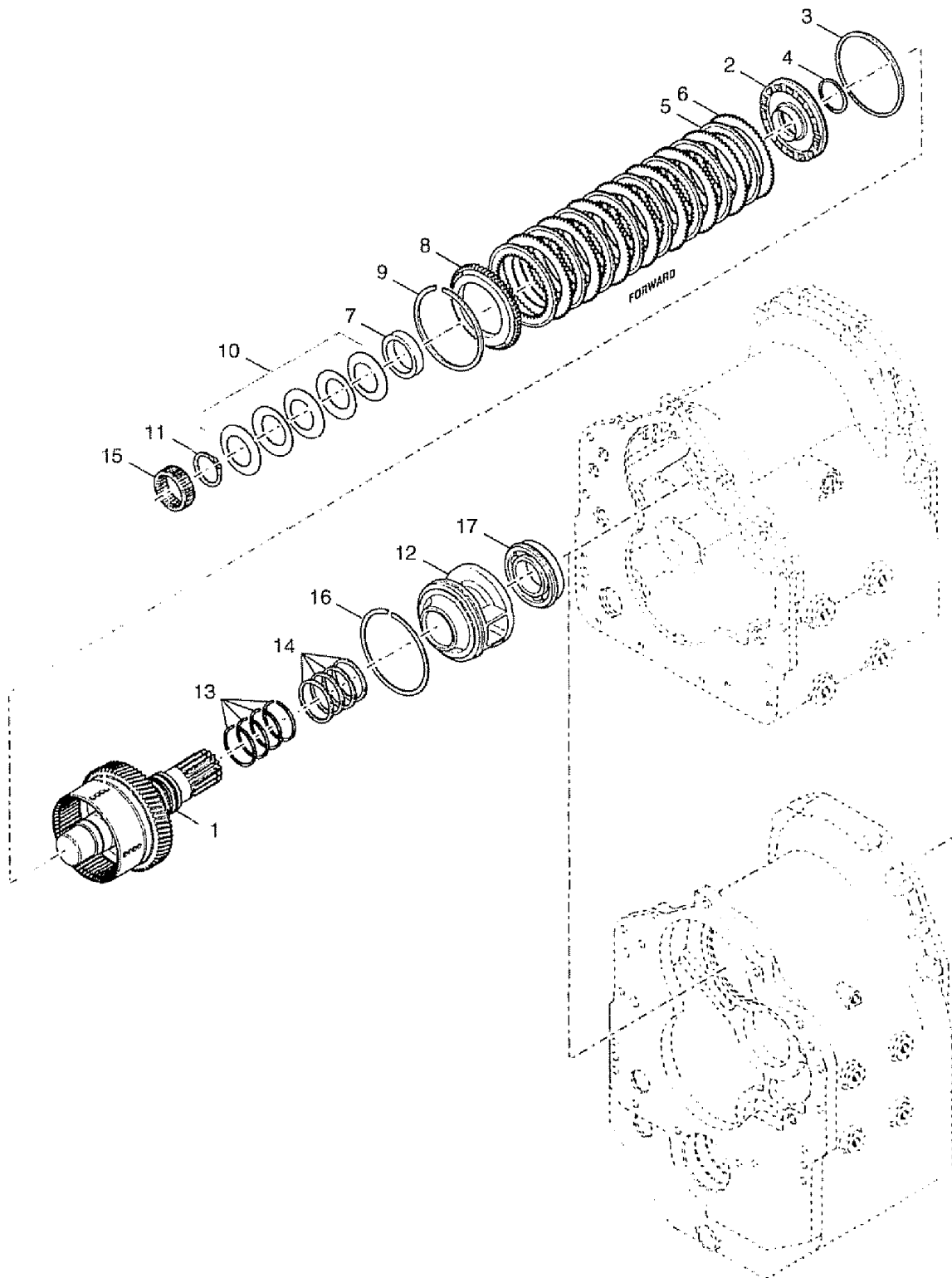




## 308.1 Pump Drive Assembly

Item	Part No.	Description	Qty.
1	7-126-642GT	SUPPORT,PUMP DRIVE BEARING.....1	
2	7-126-644GT	PIN,BEARING SUPPORT.....1	
3	7-126-643GT	SCREW,BEARING SUPPORT.....1	
4	7-126-440GT	BEARING,BALL.....1	
5	7-126-280GT	RING,RETAINING,DRIVE GEAR BRG....1	
6	7-126-652GT	GEAR,CHARGING PUMP DRIVE.....1	
7	7-126-653GT	GEAR,PUMP DRIVE IDLER.....1	
8	7-126-561GT	SHAFT,IDLER GEAR HUB.....1	
9	7-126-208GT	BALL,IDLER SHAFT LOCK.....1	
10	7-126-654GT	BEARING,BALL.....1	
11	7-126-203GT	RING,LOCATING,IDLER GEAR BRG....2	
12	7-126-163GT	RING,RETAINING-LOCATING.....2	

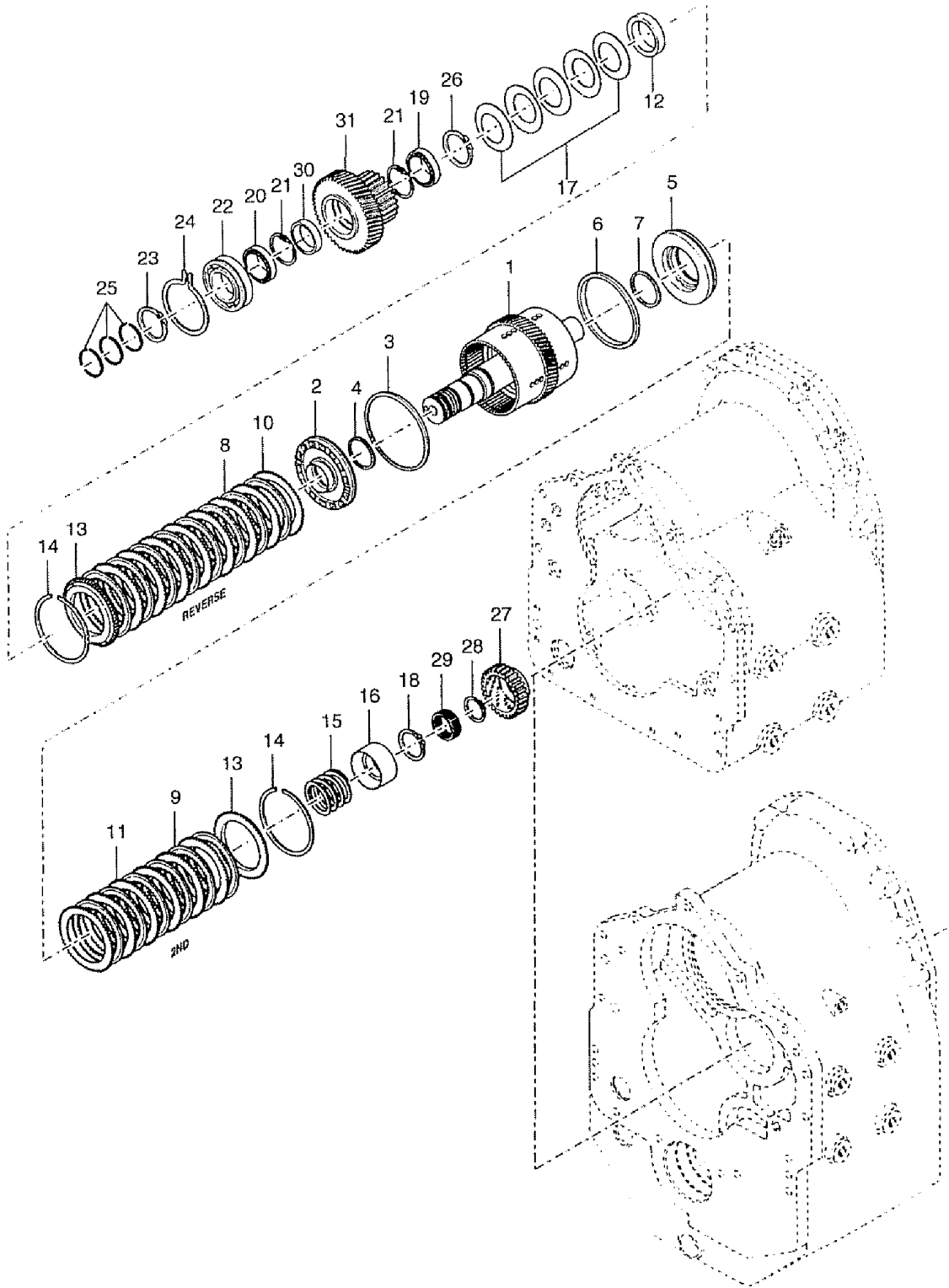
309.1 Forward Shaft Assembly



## 309.1 Forward Shaft Assembly

Item	Part No.	Description	Qty.
1	130437GT	ASSY,FWD SHAFT,DRUM & PLUG	
2	7-126-679GT	ASSY,CLUTCH PISTON & SEALS <i>(includes items 3 and 4)</i>	
3	7-126-145GT	SEAL,CLUTCH PISTON,OUTER	
4	7-126-144GT	SEAL,CLUTCH PISTON,INNER	
5	7-126-148GT	DISC,CLUTCH,INNER	
6	7-126-147GT	DISC,CLUTCH,OUTER	
7	7-126-183GT	SPACER,PISTON RETURN SPRING	
8	130435GT	END PLATE	
9	7-126-150GT	SNAP RING,BACKING PLATE	
10	7-126-566GT	ASSY,DISC SPRING <i>(includes 5 washers)</i>	
11	7-126-181GT	SNAP RING,SPRING RETAINING	
12	7-126-199GT	SLEEVE,PISTON RING	
13	7-126-55GT	SPRING,PISTON RING EXPANDER	
14	7-126-572GT	PISTON RING,FORWARD SHAFT	
15	7-126-195GT	BEARING,FORWARD SHAFT,FRONT	
16	7-126-198GT	RETAINING RING,INTERNAL	
17	7-126-200GT	BEARING,FORWARD SHAFT,REAR	

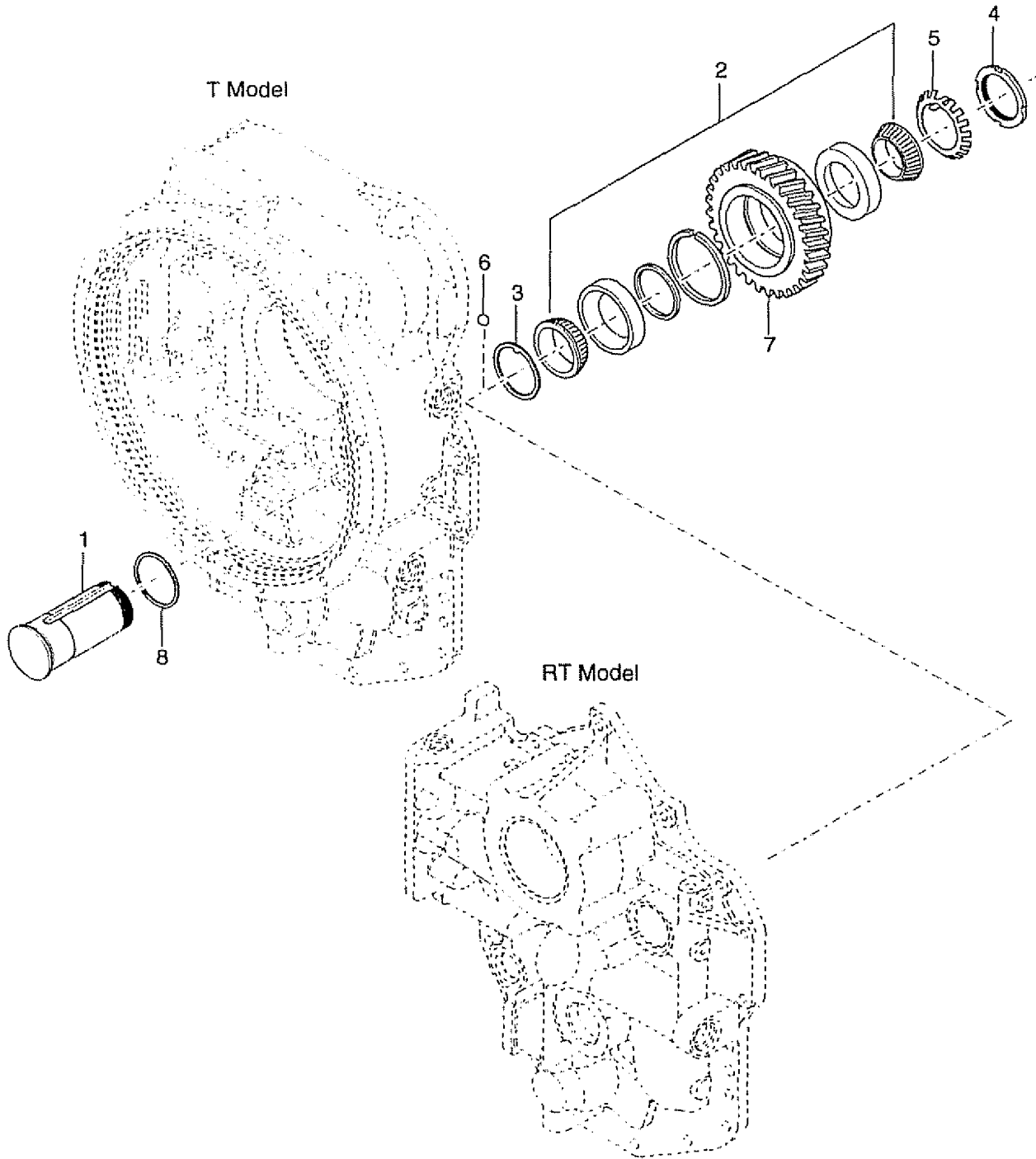
310.1 Reverse and Second Shaft Assembly



## 310.1 Reverse and Second Shaft Assembly

Item	Part No.	Description	Qty.
1	130433GT	ASSY,REV.& 2ND SHAFT.....	1
2	7-126-679GT	ASSY,CLUTCH PISTON & SEALS.....	1
3	7-126-145GT	SEAL,CLUTCH PISTON,OUTER.....	1
4	7-126-144GT	SEAL,CLUTCH PISTON,INNER.....	1
5	130434GT	ASSY,CLUTCH PISTON & SEALS.....	1
6	7-126-145GT	SEAL,CLUTCH PISTON,OUTER.....	1
7	7-126-144GT	SEAL,CLUTCH PISTON,INNER.....	1
8	7-126-148GT	DISC,CLUTCH,INNER.....	8
9	7-126-148GT	DISC,CLUTCH,INNER.....	6
10	7-126-147GT	DISC,CLUTCH,OUTER.....	8
11	7-126-147GT	DISC,CLUTCH,OUTER.....	6
12	7-126-183GT	SPACER,PISTON RETURN SPRING.....	1
13	130435GT	END PLATE.....	1
14	7-126-150GT	SNAP RING,BACKING PLATE.....	1
15	7-126-151GT	SPRING,PISTON RETURN.....	1
16	7-126-152GT	RETAINER,SPRING.....	1
17	7-126-566GT	ASSY,DISC SPRING..... <i>(includes 5 washers)</i>	1
18	7-126-153GT	SNAP RING,SPRING RETAINER.....	1
19	7-126-180GT	BEARING,CLUTCH DRIVEN GEAR.....	1
20	7-126-177GT	BEARING,CLUTCH DRIVEN GEAR.....	1
21	7-126-178GT	RING,RETAINING,CLUTCH GEAR BRG.....	2
22	130436GT	BALL,BEARING.....	1
23	7-126-565GT	RING,BEARING RETAINER.....	1
24	7-126-175GT	SNAP RING,FRONT BEARING.....	1
25	7-126-158GT	PISTON RING.....	3
26	7-126-181GT	SNAP RING,SPRING RETAINING.....	1
27	7-126-569GT	HUB,2ND CLUTCH.....	1
28	7-126-165GT	RING,RETAINER.....	1
29	7-126-154GT	BEARING,REV.& 2ND SHAFT,REAR.....	1
30	7-126-656GT	SPACER,GEAR BEARING.....	1
31	7-126-641GT	GEAR,LOW & REVERSE CLUTCH.....	1

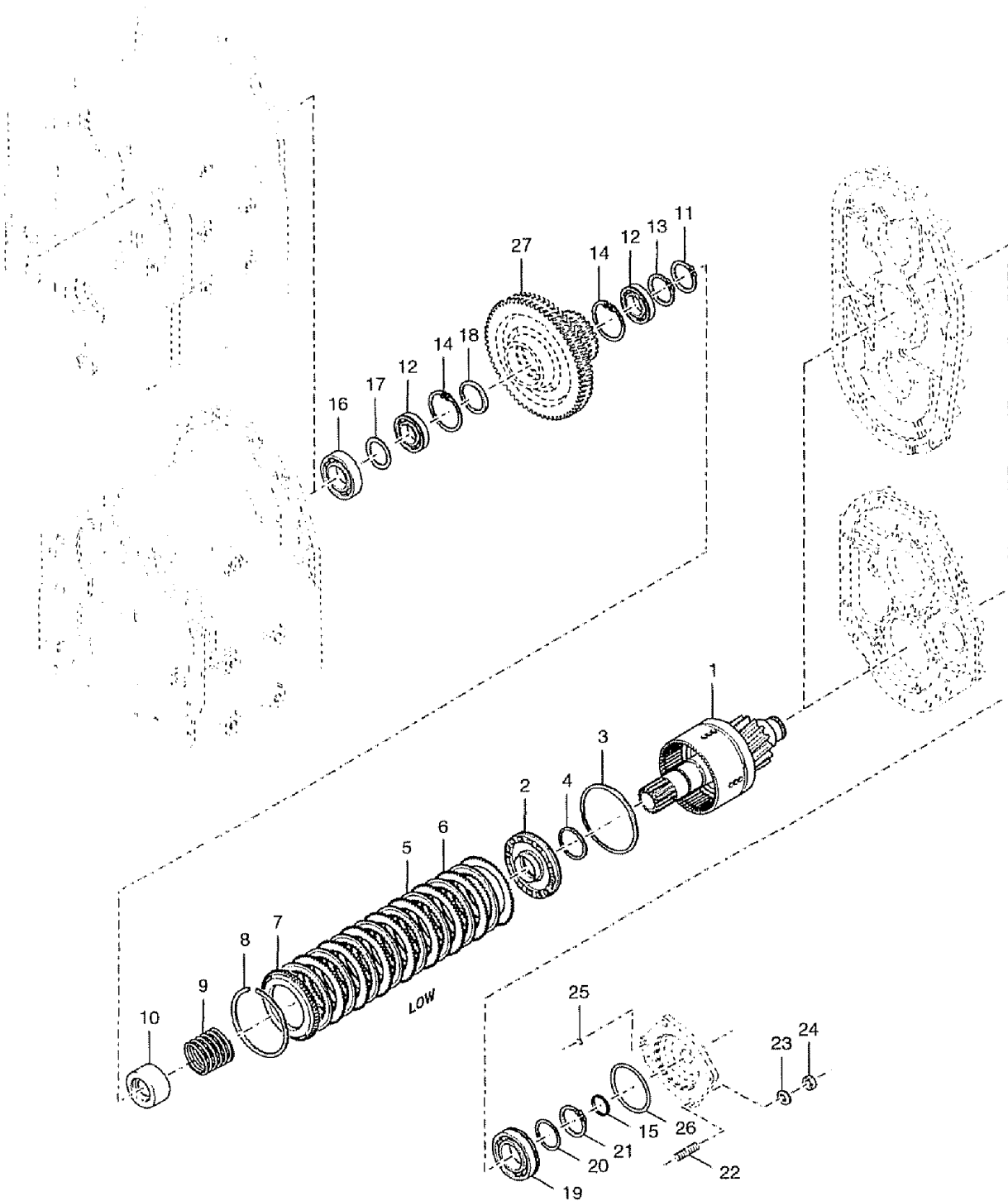
311.1 Reverse Idler Shaft Assembly



## 311.1 Reverse Idler Shaft Assembly

Item	Part No.	Description	Qty.
1	7-126-657GT	SHAFT,REVERSE IDLER.....	1
2	7-126-191GT	ASSY,REV.IDLER GEAR BEARING.....	1
3	7-126-658GT	WASHER.....	1
4	7-126-659GT	NUT,BEARING RETAINER.....	1
5	7-126-660GT	WASHER,BEARING RETAINER.....	1
6	7-126-286GT	LOCKBALL,IDLER SHAFT.....	1
7	7-126-661GT	GEAR,REVERSE IDLER.....	1
8	7-126-573GT	O-RING,IDLER SHAFT.....	1

312.1 Low Speed Shaft Assembly

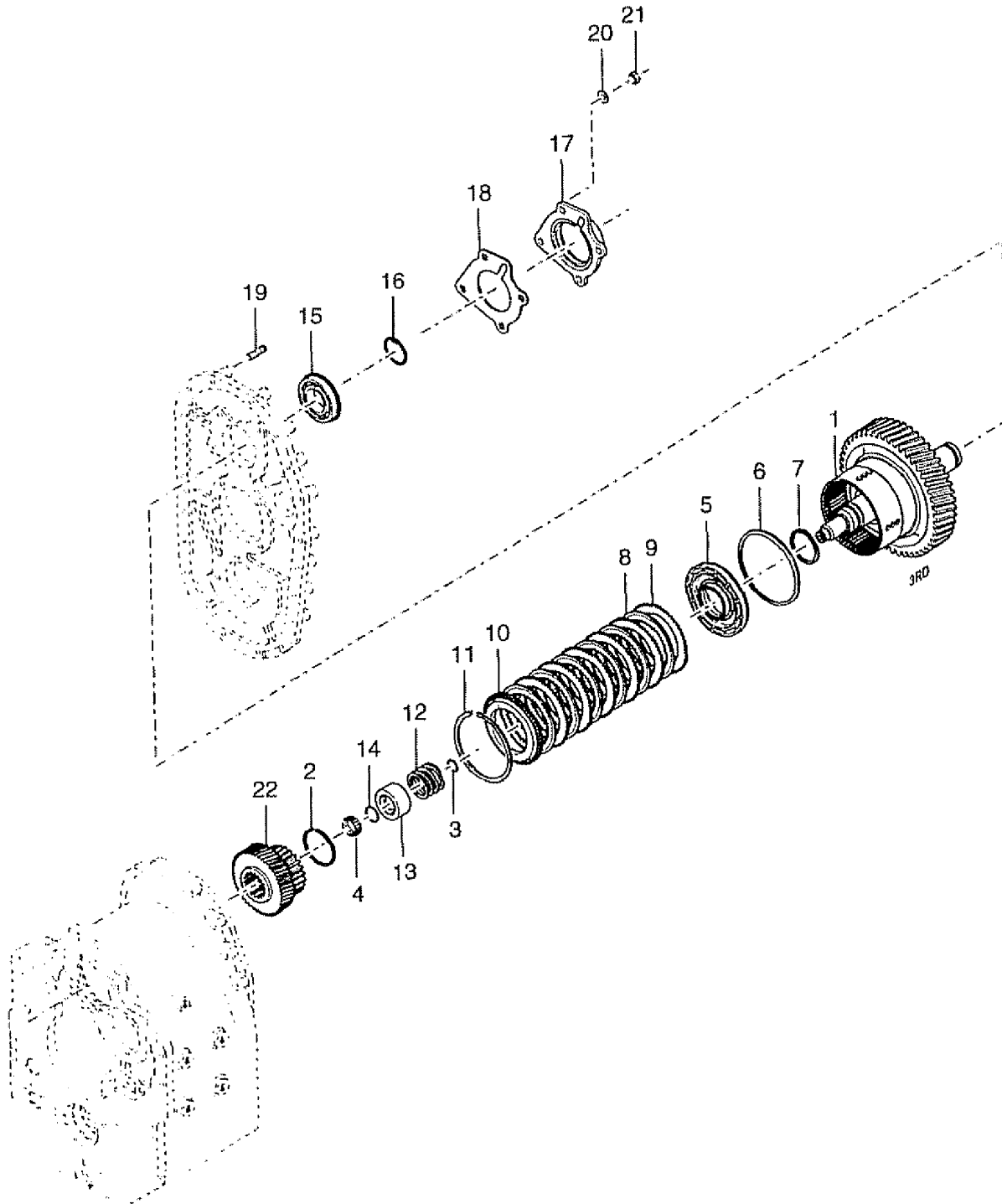




## 312.1 Low Speed Shaft Assembly

Item	Part No.	Description	Qty.
1	7-126-576GT	ASSY,VALVE.....1 (includes items 3 and 4)	1
2	7-126-575GT	ASSY,CLUTCH PISTON & SEALS.....1	1
3	7-126-145GT	SEAL,CLUTCH PISTON,OUTER.....1	1
4	7-126-144GT	SEAL,CLUTCH PISTON,INNER.....1	1
5	7-126-166GT	DISC,CLUTCH,INNER.....8	8
6	7-126-147GT	DISC,CLUTCH,OUTER.....8	8
7	130435GT	END PLATE.....1	1
8	7-126-150GT	SNAP RING,BACKING PLATE.....1	1
9	7-126-151GT	SPRING,PISTON RETURN.....1	1
10	7-126-152GT	RETAINER,SPRING.....1	1
11	7-126-153GT	SNAP RING,SPRING RETAINER.....1	1
12	7-126-156GT	BEARING,LOW SPEED GEAR.....2	2
13	7-126-165GT	RING,RETAINER.....1	1
14	7-126-163GT	RING,RETAINING-LOCATING.....1	1
15	7-126-170GT	RING.....1	1
16	7-126-161GT	BEARING,LOW SPEED CLUTCH SHAFT.....1	1
17	7-126-162GT	SPACER,LOW SPEED SHAFT,FRT.BRG.....1	1
18	7-126-164GT	SPACER,LOW SPEED GEAR.....1	1
19	130438GT	BEARING.....1	1
20	7-126-48GT	WASHER,BEARING SUPPORT.....1	1
21	7-126-165GT	RING,RETAINER.....2	2
22	7-126-176GT	BEARING.....4	4
23	7-126-10GT	LOCKWASHER,TUBE CLIP SCREW....4	4
24	7-126-111GT	NUT,BEARING CAP STUD.....4	4
25	7-126-173GT	O-RING,REAR BEARING CAP.....1	1
26	7-126-171GT	O-RING,REAR BEARING CAP.....1	1
27	130429GT	GEAR,LOW CLUTCH.....1 (refer to 306.1)	1

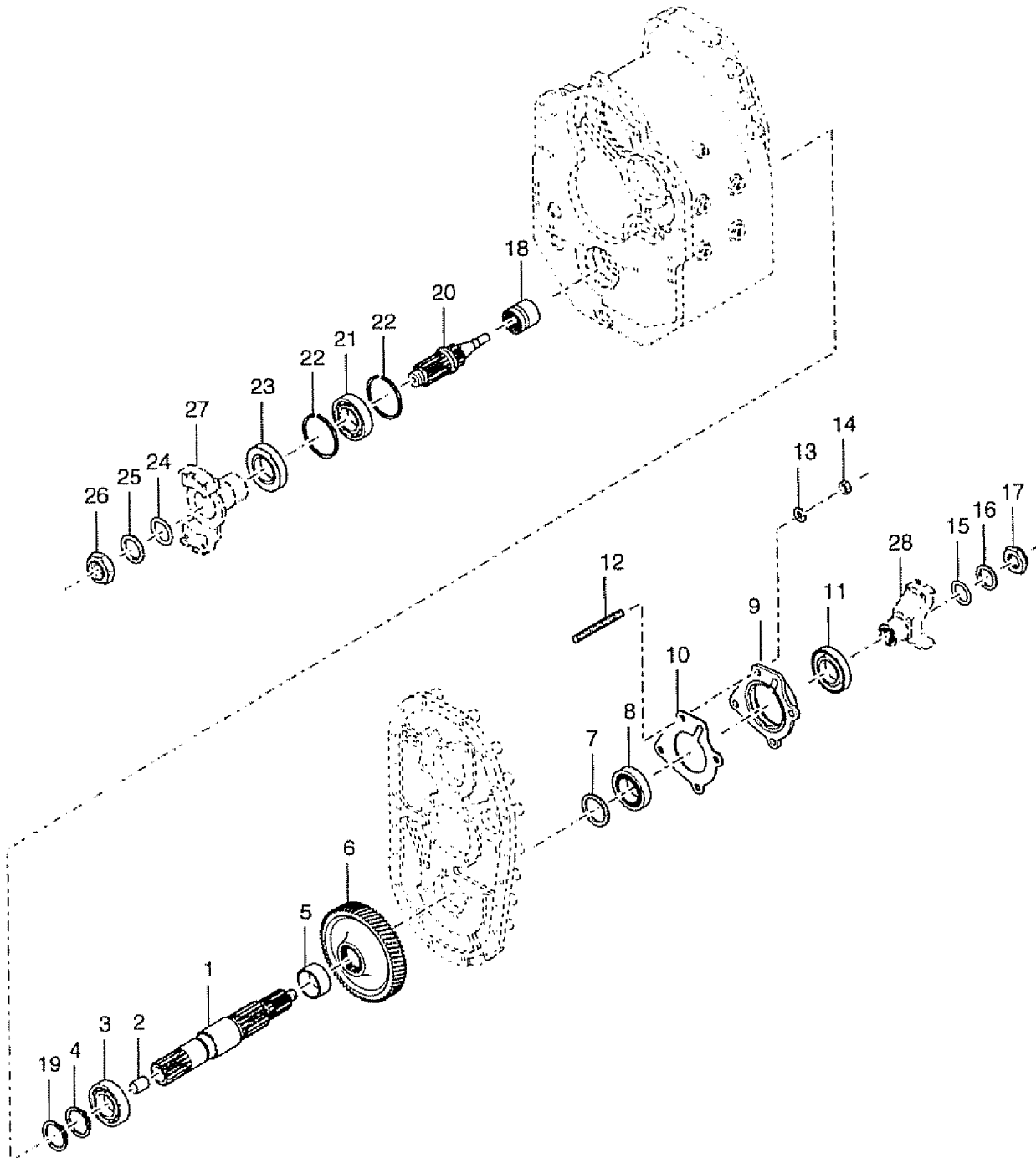
313.1 Third Shaft Assembly



## 313.1 Third Shaft Assembly

Item	Part No.	Description	Qty.
1	7-126-579GT	ASSY,3RD CLUTCH,DRUM,HUB.....1	1
2	7-126-201GT	RING,RETAINING.....1	1
3	7-126-170GT	RING.....1	1
4	7-126-296GT	BEARING,3RD SHAFT PILOT.....1	1
5	130434GT	ASSY,CLUTCH PISTON & SEALS.....1 (includes items 6 and 7)	1
6	7-126-145GT	SEAL,CLUTCH PISTON,OUTER.....1	1
7	7-126-144GT	SEAL,CLUTCH PISTON,INNER.....1	1
8	7-126-148GT	DISC,CLUTCH,INNER.....6	6
9	7-126-147GT	DISC,CLUTCH,OUTER.....6	6
10	130435GT	END PLATE.....1	1
11	7-126-150GT	SNAP RING,BACKING PLATE.....1	1
12	7-126-151GT	SPRING,PISTON RETURN.....1	1
13	7-126-152GT	RETAINER,SPRING.....1	1
14	7-126-153GT	SNAP RING,SPRING RETAINER.....1	1
15	130462GT	BEARING,BALL.....1	1
16	7-126-565GT	RING,BEARING RETAINER.....1	1
17	7-126-273GT	SPACER / BEARING.....1	1
18	7-126-292GT	GASKET,3RD SHAFT BEARING CAP...1	1
19	7-126-291GT	STUD,REAR BEARING CAP.....4	4
20	7-126-54GT	WASHER,LOCK,SPLIT,3/8.....4	4
21	7-126-294GT	NUT,REAR BEARING CAP STUD.....4	4
22	7-126-318GT	GEAR / 3rd (refer to 306.1)	

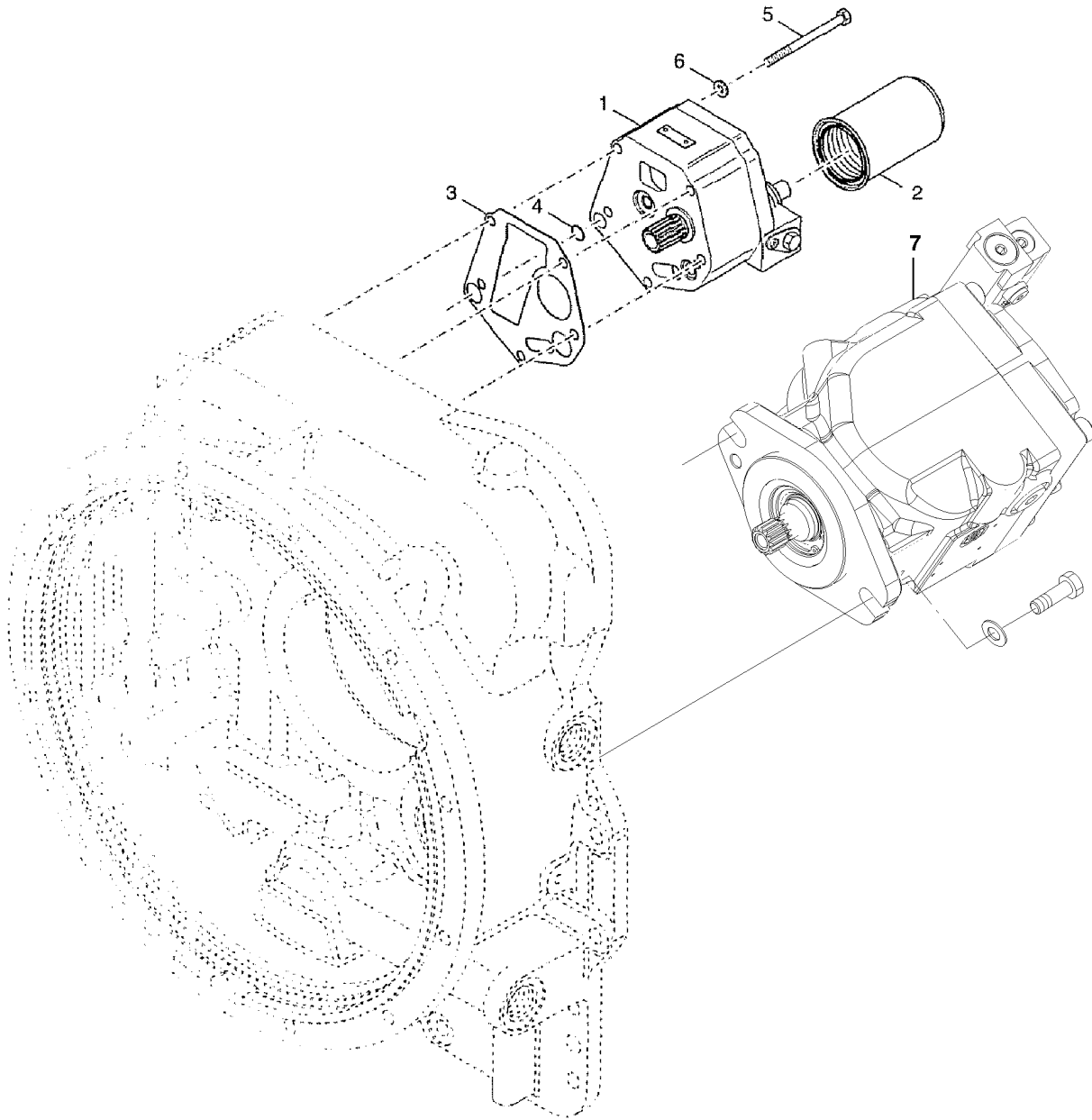
314.1 Output Shaft Assembly



## 314.1 Output Shaft Assembly

Item	Part No.	Description	Qty.
1	7-126-662GT	ASSY,OUTPUT SHAFT & BUSHING.....1 <i>(includes item 2)</i>	1
2	7-126-311GT	BUSHING.....1	1
3	7-126-161GT	BEARING,LOW SPEED CLUTCH SHAFT.....1	1
4	7-126-49GT	RING,BEARING RETAINER.....1	1
5	7-126-125GT	SPACER,OUTPUT SHAFT GEAR.....1	1
6	7-126-582GT	GEAR,OUTPUT SHAFT.....1	1
7	7-126-123GT	SPACER,OUTPUT SHAFT.....1	1
8	130462GT	BEARING,BALL.....1	1
9	7-126-663GT	CAP,REAR BEARING.....1	1
10	7-126-664GT	GASKET,BEARING CAP.....1	1
11	7-126-114GT	SEAL,OIL.....1	1
12	7-126-115GT	STUD,BEARING CAP.....4	4
13	7-126-116GT	LOCKWASHER.....4	4
14	7-126-117GT	NUT,STUD.....4	4
15	7-126-118GT	O-RING,INPUT FLANGE.....1	1
16	7-126-314GT	WASHER,FLANGE.....1	1
17	130362GT	NUT,TRANSMISSION,GTH10XX.....1	1
18	7-126-310GT	COUPLING,DRIVE.....1	1
19	7-126-49GT	RING,BEARING RETAINER.....1	1
20	7-126-309GT	SHAFT,DISCONNECT.....1	1
21	7-126-307GT	BEARING,BALL.....1	1
22	7-126-306GT	SNAP RING.....2	2
23	7-126-305GT	SEAL,OIL.....1	1
24	7-126-304GT	O-RING.....1	1
25	7-126-303GT	WASHER,FLANGE.....1	1
26	7-126-302GT	NUT,FLANGE.....1	1
27	130457GT	OUTPUT FLANGE.....1 <i>(output flange to the rear axle)</i>	1
28	130458GT	FLANGE,6C.....1 <i>(output flange to the front axle)</i>	1

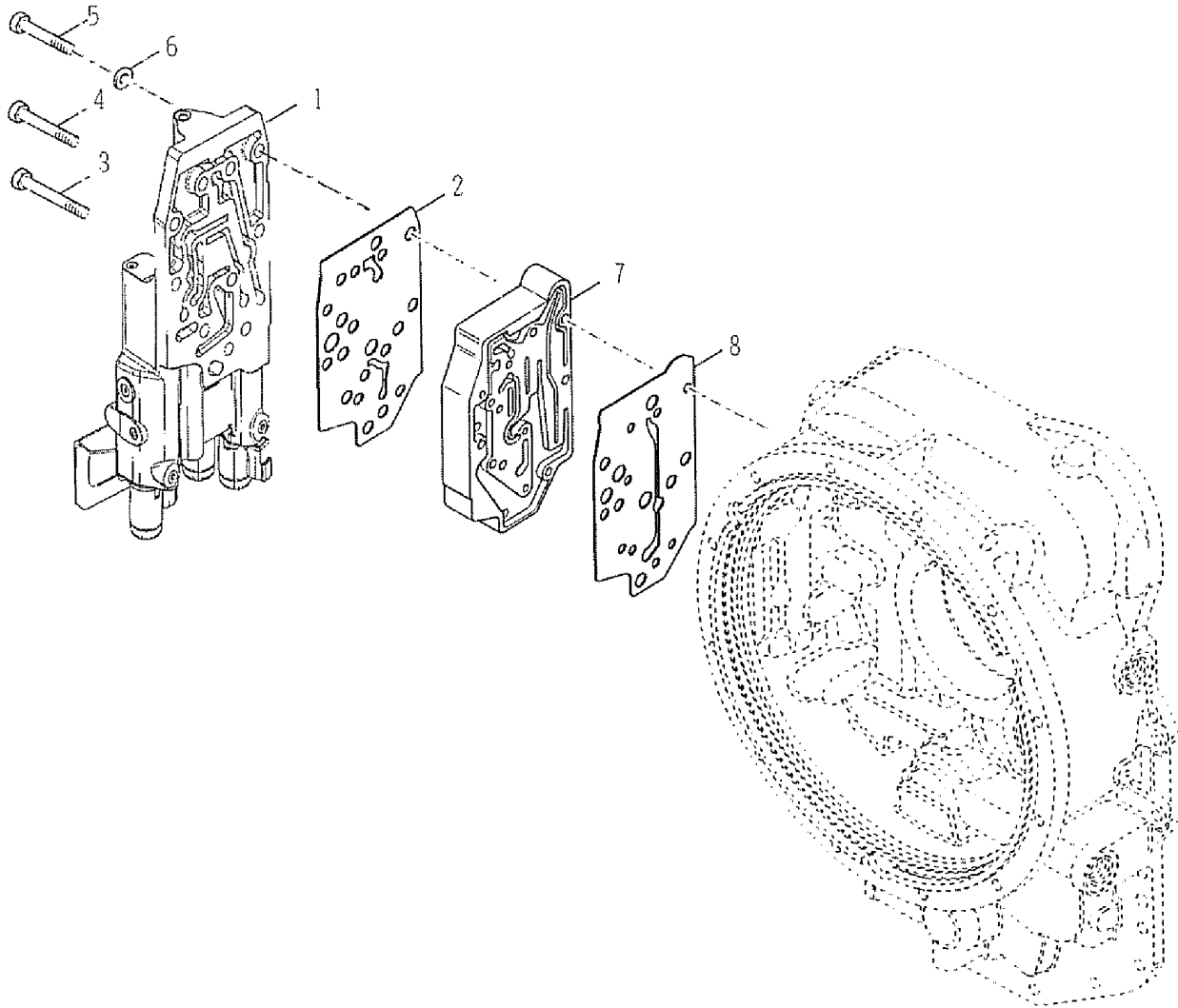
315.1 Charging Pump and Filter Assembly



## 315.1 Charging Pump and Filter Assembly

Item	Part No.	Description	Qty.
1	7-126-680GT	PUMP,CHARGING,STANDARD.....1 <i>(O-ring and gasket sold seperately)</i>	1
--	9990258GT	SEAL KIT <i>for 7-126-680</i>	
2	7-126-112GT	FILTER,HYDRAULIC,SPIN-ON.....1	1
3	7-126-107GT	GASKET,PUMP ASSY TO CONV.HSG.....1	1
4	7-126-22GT	O-RING.....1	1
5A	130441GT	SCREW,PUMP MOUNTING.....3	3
5B	7-126-109GT	SCREW,PUMP MOUNTING.....2	2
6	7-126-10GT	LOCKWASHER,TUBE CLIP SCREW.....5	5
7	824527GT	PUMP,SAUER 60CC LS PHASE 2.....1	1
--	7-112-63GT	SEAL KIT / PUMP OVERHAUL	

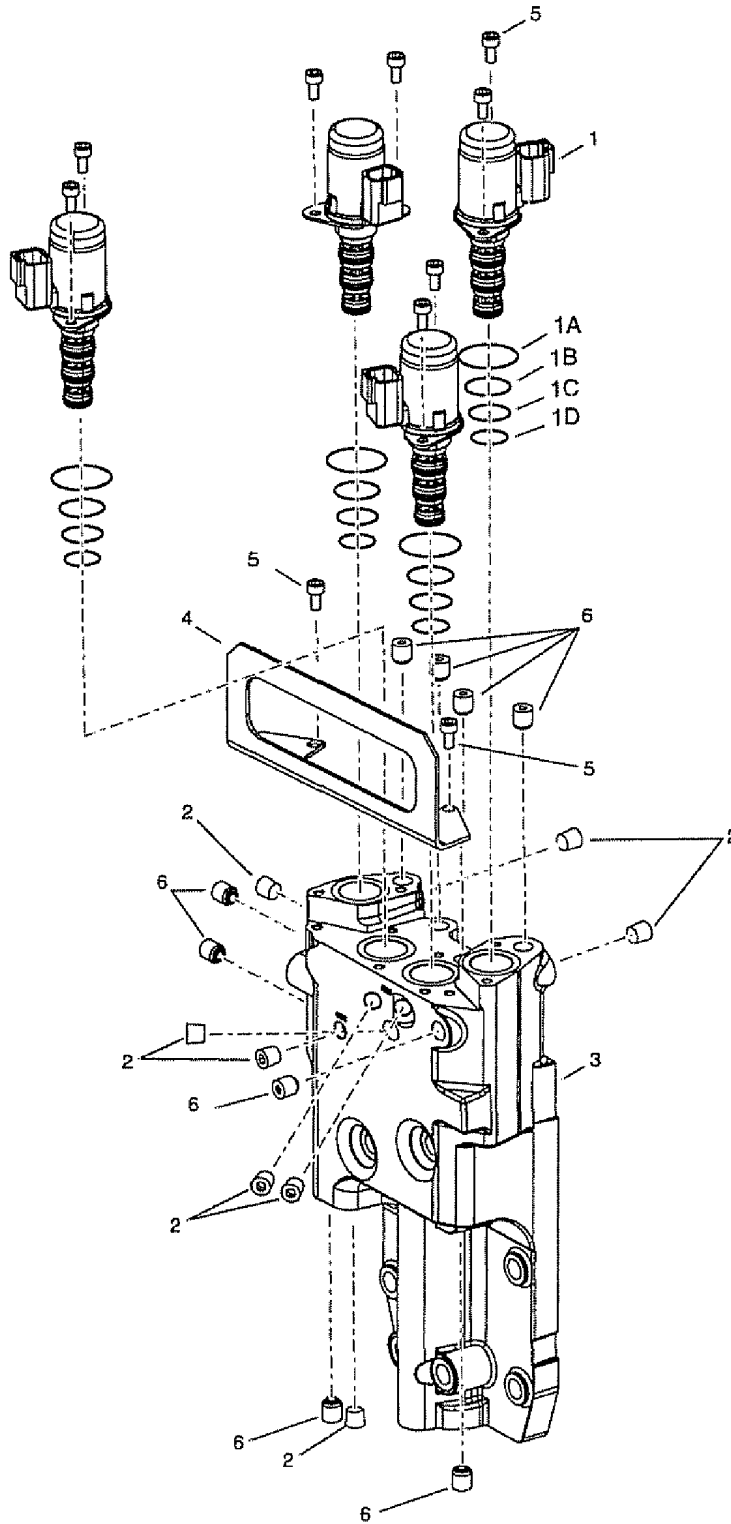
316.1 Valve Assembly Mounting





Item	Part No.	Description	Qty.
1	7-126-784GT	VALVE ASSY.....	1
2	130061GT	GASKET,SHIFT COIL,T20000 TRANS....	1
3	130062GT	CAPSCREW,T20000 TRANS.....	4
4	130063GT	CAPSCREW,T20000 TRANS.....	3
5	130064GT	CAPSCREW,T20000 TRANS.....	2
6	7-126-54GT	WASHER,LOCK,SPLIT,3/8.....	9
7	130065GT	MOD VALVE ASSY,T20000 TRANS.....	1
8	7-126-586GT	GASKET,MODULATION VALVE.....	1

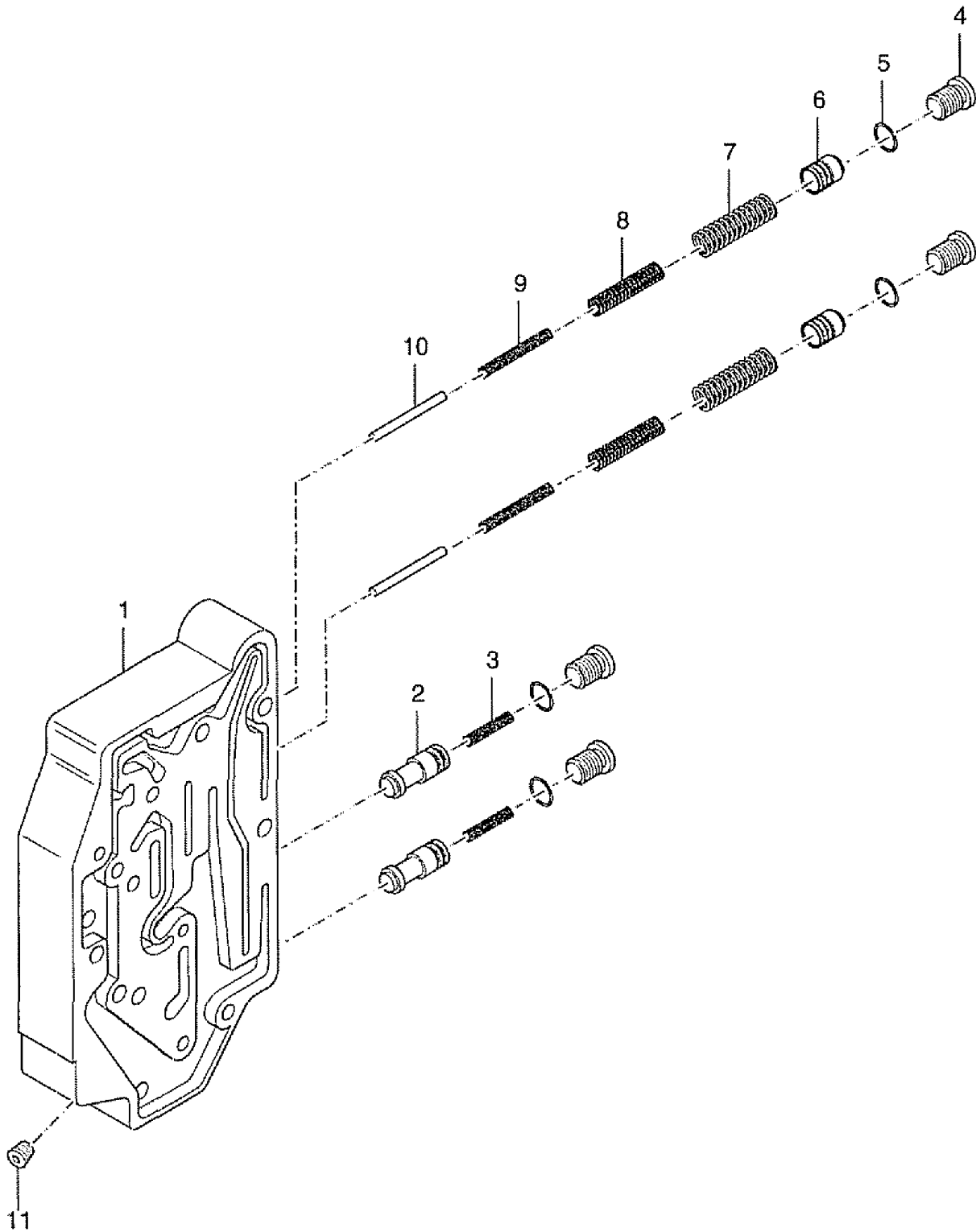
317.1 Electronic Control Valve Assembly



## 317.1 Electronic Control Valve Assembly

Item	Part No.	Description	Qty.
1	117230GT	SOLENOID W/DEUTSCH CONNECTOR.....4 <i>(includes items 1A, 1B, 1C and 1D)</i>	
1A	7-126-773GT	O-RING,21.5 X 1.5 MM,VITON.....4	
1B	7-126-774GT	O-RING,15.1 X 1.60 MM,VITON.....4	
1C	7-126-775GT	O-RING,14.1 X 1.60 MM,VITON.....4	
1D	7-126-776GT	O-RING,12.1 X 1.60 MM,VITON.....4	
2	7-126-08GT	PLUG,PIPE.....8	
3	7-126-784GT	VALVE ASSY.....1	
4	130066GT	SOLENOID COVER,T20000 TRANS.....1	
5	130067GT	CAPSCREW,M5X10,T20000 TRANS....10	
6		EXPANSION PLUG	

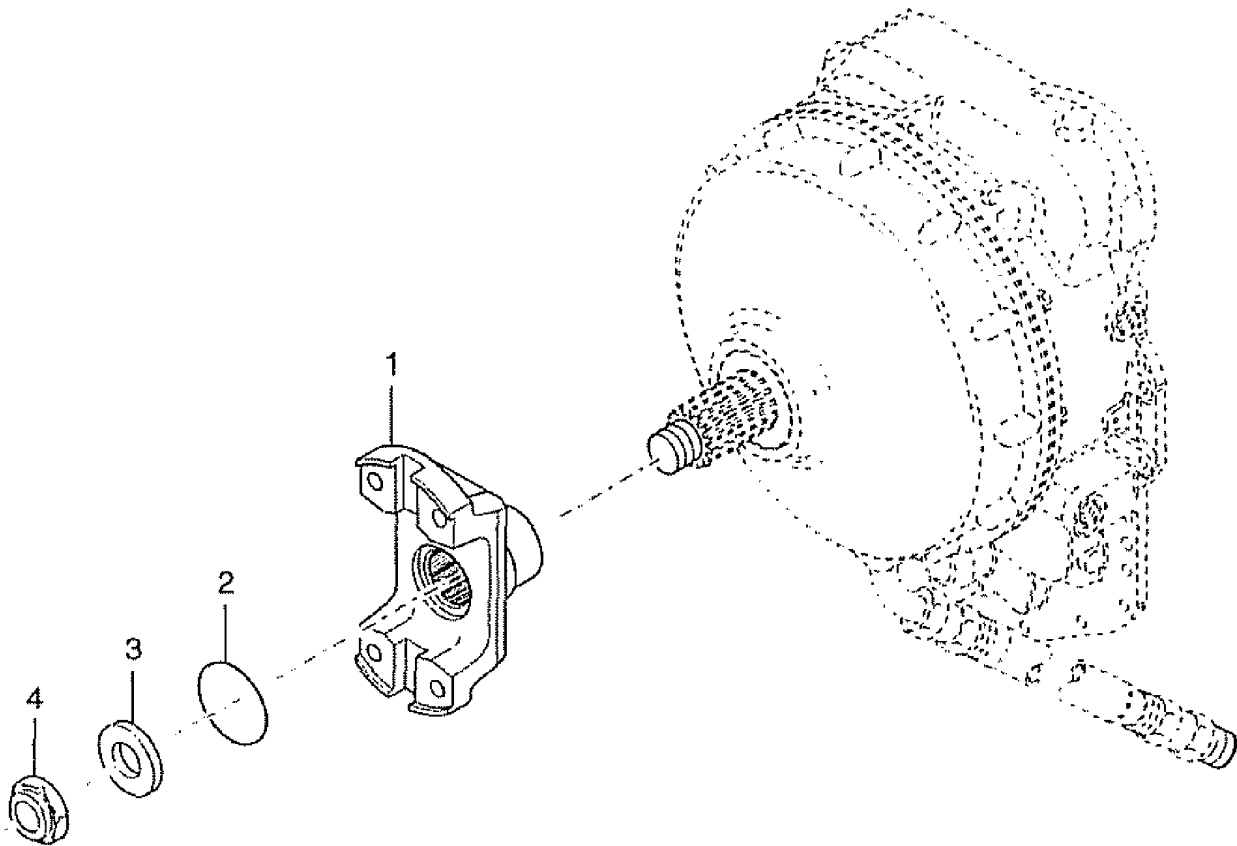
318.1 Modulator Valve Assembly



## 318.1 Modulator Valve Assembly

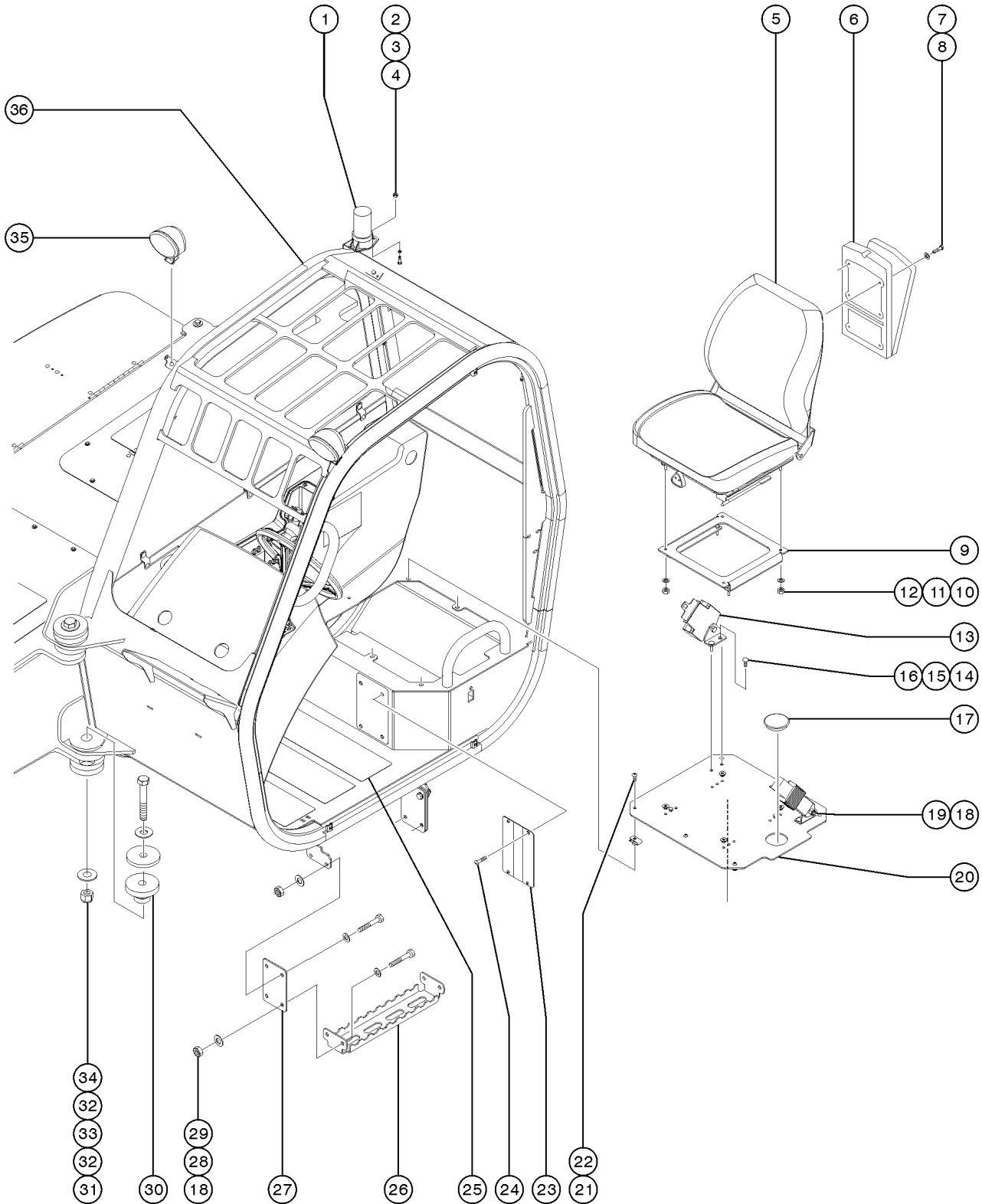
Item	Part No.	Description	Qty.
1	7-126-784GT	VALVE ASSY.....	1
2		Spool (part of the assembly body)	
3	7-126-69GT	SPRING,REGULATOR.....	2
4	7-126-68GT	PLUG,STOP.....	4
5	7-126-603GT	O-RING,PLUG.....	6
6	7-126-328GT	CAPSCREW.....	4
7	130068GT	SPRING,ACCUM,OUTER,T20000 TRAN.....	2
8	7-126-65GT	SPRING,ACCUMULATOR,MIDDLE.....	2
9	7-126-64GT	SPRING,ACCUMULATOR,INNER.....	2
10	7-126-63GT	PIN,ACCUMULATOR STOP.....	2
11	7-126-92GT	PLUG.....	1

319.1 Input Flange



Item	Part No.	Description	Qty.
1	7-126-254GT	FLANGE,6C.....	1
2	130440GT	O-RING.....	1
3	130363GT	WASHER,TRANSMISSION,GTH10XX....	1
4	130362GT	NUT,TRANSMISSION,GTH10XX.....	1

401.1 Standard Cab Components, View 1 (to SN GTH1012-16291)

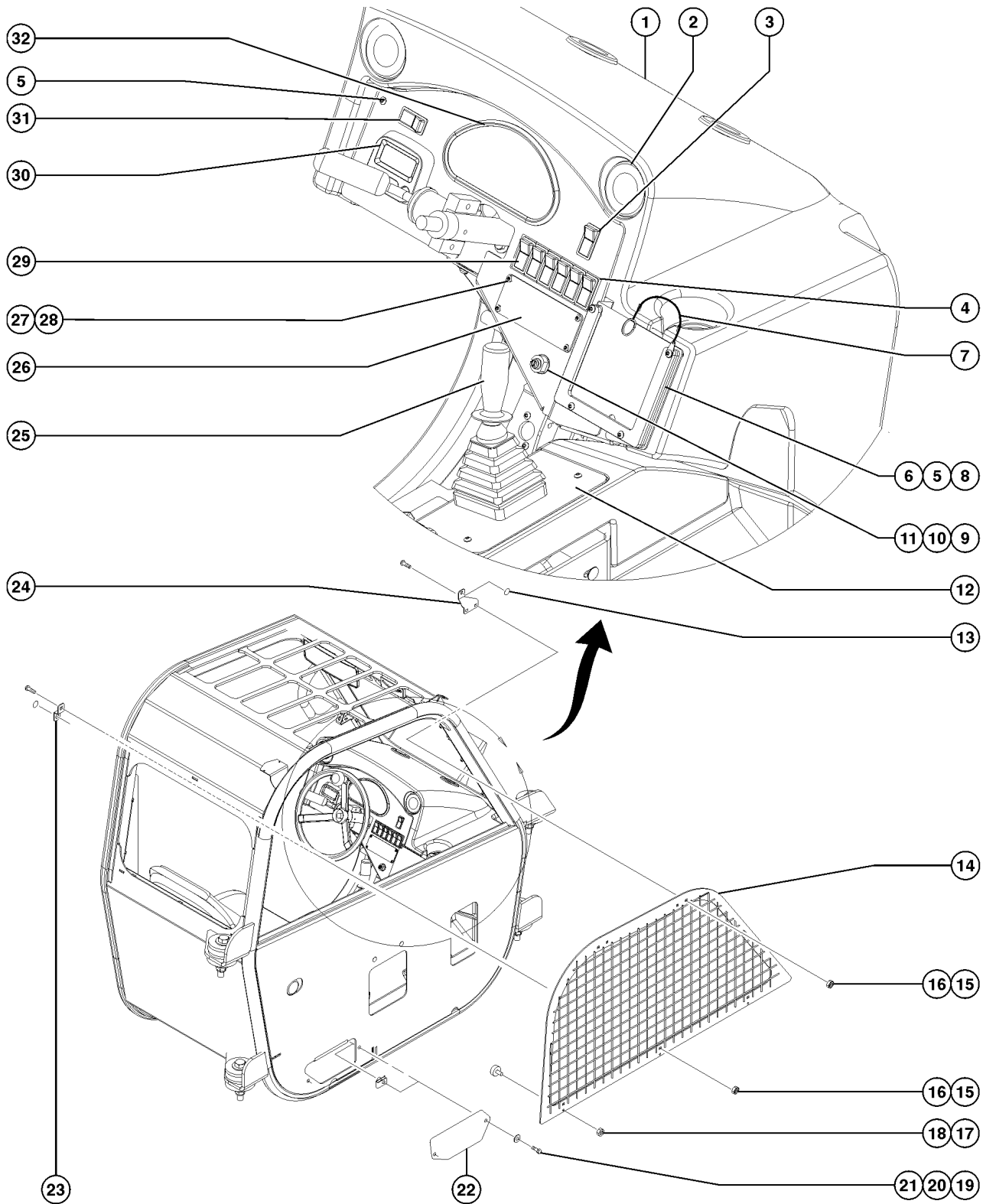




## 401.1 Standard Cab Components, View 1 (to SN GTH1012-16291)

Item	Part No.	Description	Qty.	Item	Part No.	Description	Qty.
--	825974GT	KIT, BEACON LIGHT		27	123108GT	STRAP,FLEXIBLE STEP.....	2
1	231931GT	STROBE,BEACON, AC COMP 12-80V		28	6095GT	WASHER,FLAT,USS,1/2",Y	
--	105556GT	LENS,FLASHING BEACON for 231931		29	141579GT	BOLT,FLANGE,1/2-13 X 1.75	
--	105557GT	BULB,FLASHING BEACON for 231931		30	123139GT	ISOLATOR,CAB.....	4
--	123814GT	HARNNESS,STROBE.....	1	31	123189GT	NUT,NYLOCK,1-8,GR8.....	4
2	5365GT	NUT,NYLOCK,10-24		32	38859GT	WASHER,FLAT,USS,1",Y	
3	6146GT	WASHER,FLAT,MS,#10,Y		33	1-1532GT	WASHER,RUBBER MOUNT,CAB.....	4
4	71874GT	BOLT,CARRIAGE,#10-24X.50,G2		34	117316GT	SCREW,HHC,1-8X6.5,GR8.....	4
5	123137GT	SEAT ASSY, STD.....	1	35	123802GT	HEAD LIGHT	
5A	123574GT	SEAT ASSY, FULL-SUSPENSION (option)		--	123802GT	HEAD LIGHT..... (includes fasteners)	2
6A	44743GT	MANUAL BOX W/DECALS***..... USA/Canada/Australia	1	--	123821GT	TERM.,156 BULLET MALE,16-14GA	
6B	24514GT	BOX,INSTRUCTION STORAGE Europe/Asia/South America (decal required; refer to Section100)		36	108995GT	WELDMENT,CAB.....	1
7	123773GT	BOLT,LAG,1/4NCX1,HEXHEAD					
8	6638GT	WASHER,FLAT,USS,1/4"Y					
9	117629GT	FORMING,SEAT RISER.....	1				
10	6782GT	NUT,NYLOCK,5/16-18					
11	5397GT	WASHER,FLAT,USS,5/16",Y					
12	13000GT	SCREW,HHC,5/16-18 X 1.25					
13	117530GT	SEATBELT ASSY,3" RETRACTABLE.....	1				
--	123310GT	FORMING,SEATBELT BRACKET					
14	105092GT	BOLT,CARRIAGE,3/8-16X1.25,GR5					
15	6097GT	WASHER,FLAT,USS,3/8",Y					
16	4828GT	NUT,NYLOCK,3/8-16					
17	123572GT	HOLE PLUG, 3 IN.....	1				
18	117493GT	NUT,NYLOCK,1/2-13,GR8					
19	33987GT	SCREW,HHC,1/2-13 X 1, GR 5					
20	117288GT	PLATE,SEAT MOUNT.....	1				
21	28487GT	SCREW,BHHS,3/8-16 X 1					
22	108581GT	SPRING CLIP,3/8-16 LG ZINC					
23	130314GT	COVER,CAB AIR INTAKE.....	1				
24	14297GT	SCREW,BHHS,1/4-20 X .75					
25	7-287-01GT	BLK SAFETY WALK 6 IN WIDE RO.....223-inches (Qty. 2)					
25A	7-287-01GT	BLK SAFETY WALK 6 IN WIDE RO.....12-inches (Qty. 1)					
25B	7-287-02GT	BLK SAFETY WALK 2 IN WIDE RO.....16-inches (Qty. 1)					
26	123265GT	FORMING,CAB STEP.....	1				

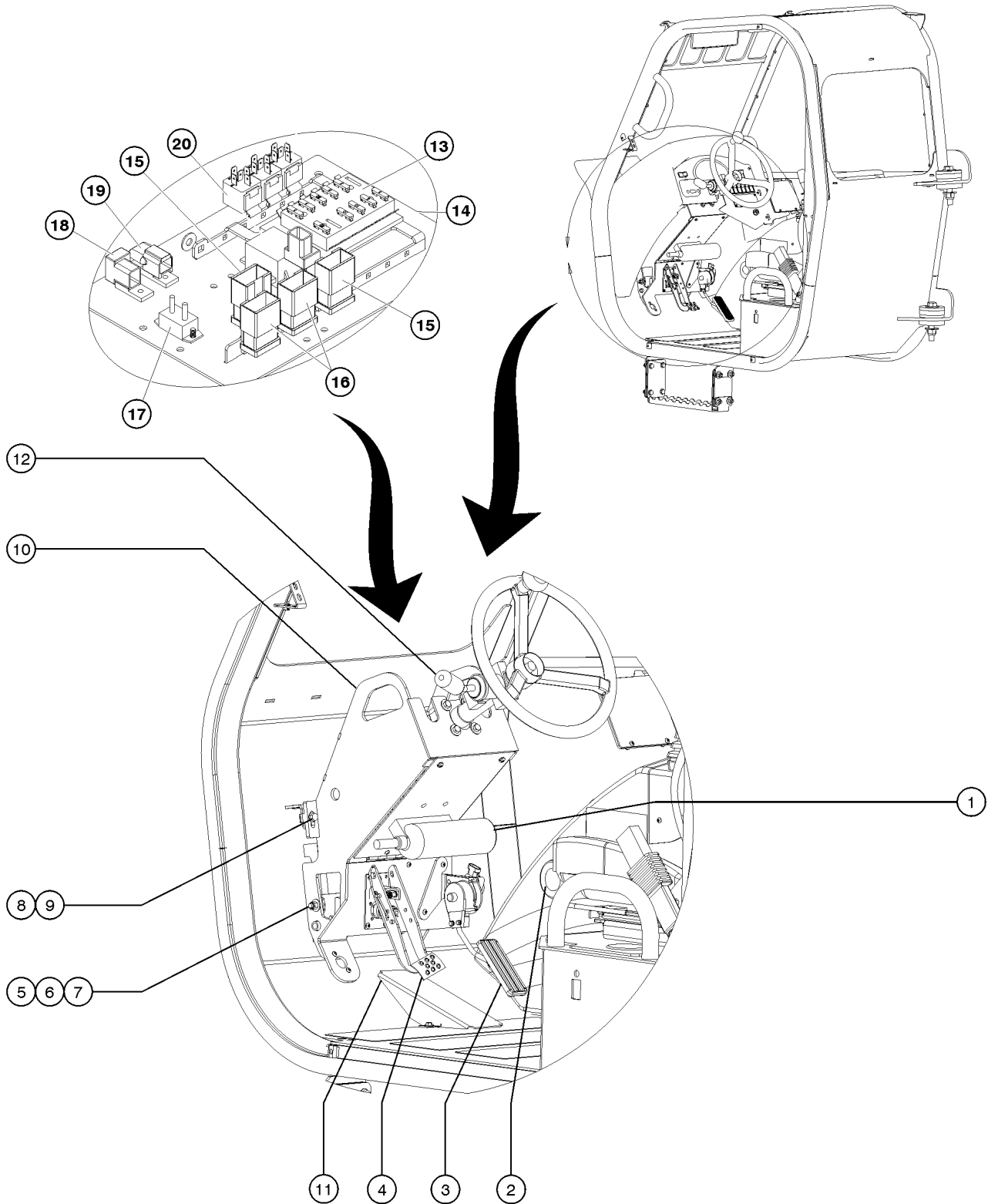
402.1 Standard Cab Components, View 2 (to SN GTH1012-16291)



## 402.1 Standard Cab Components, View 2 (to SN GTH1012-16291)

Item	Part No.	Description	Qty.
1	117224GT	PLASTIC DASH COVER.....	1
--	117402GT	PLATE,DASHBOARD.....	1
2	81900GT	PLUG,NYLON 2.093 BLACK DOMED.... <i>See section 406.1 for replacement vent</i>	4
3	123200GT	SWITCH, PARKING BRAKE.....	1
4	123568GT	END BEZEL.....	1
--	123569GT	CENTER BEZEL	
5	130909GT	SCREW,BHSCS,1/4-20X5/8,ZP.....	5
6	123291GT	PLATE,LOADCHART FRAME.....	1
7	123839GT	LANYARD ASSY,RETAINING WASHER.....	1
8	130480GT	HDPE,LOAD CHART HOLDER.....	1
9	1289104GT	KIT,SWITCH WITH KEYS.....	1
--	58322GT	KEY,SET 2 KEYS	
10	6607GT	WASHER,LOCK,#10 PLTD.....	4
11	104030GT	NUT HEX M5-0.8 CLASS 8 ZINC.....	4
12	117223GT	FORMING,JOYSTICK MOUNT, TOP.....	1
13	47478GT	BUMPER, RUBBER, 1"OD X .461H.....	5
14	123658GT	WELDMENT,RH SCREEN.....	1
15	4828GT	NUT,NYLOCK,3/8-16.....	9
16	64154GT	BOLT,CARRIAGE,3/8-16 X1.00,G5.....	9
17	79090GT	BUMPER, 1.00 X .375 X 5/16.....	3
18	6782GT	NUT,NYLOCK,5/16-18.....	3
19	6175GT	SCREW,HHC,3/8-16 X 1.....	2
20	6097GT	WASHER,FLAT,USS,3/8",Y.....	2
21	108581GT	SPRING CLIP,3/8-16 LG ZINC.....	2
22	130313GT	COVER,PANEL ACCESS.....	1
23	123705GT	FORMING,SCREEN MOUNT,BOTTOM.....	3
24	123706GT	FORMING,SCREEN MOUNT, TOP.....	2
25	117623GT	CONTROLLER,HYD ERGO W/SW <i>(refer to 410.1)</i>	
25A	117624GT	CONTROLLER,HYD ERGO W/O SW <i>(refer to 410.1)</i>	
25B	117625GT	CONTROLLER,HYD SPHERICAL KNOB <i>(refer to 411.1)</i>	
26	123367GT	COVER,CONTROL PANEL.....	1
27	110359GT	SCREW,PHM, 10-24 X .50.....	4
28	5365GT	NUT,NYLOCK,10-24.....	4
29	123567GT	PANEL PLUG.....	7
30	123273GT	DISPLAY,ENGINE DIAGNOSTIC.....	1
31	236350GT	SWITCH, WINDSHIELD WIPER/WSHER.....	1
32	117650GT	GAGE CLUSTER,CAB.....	1

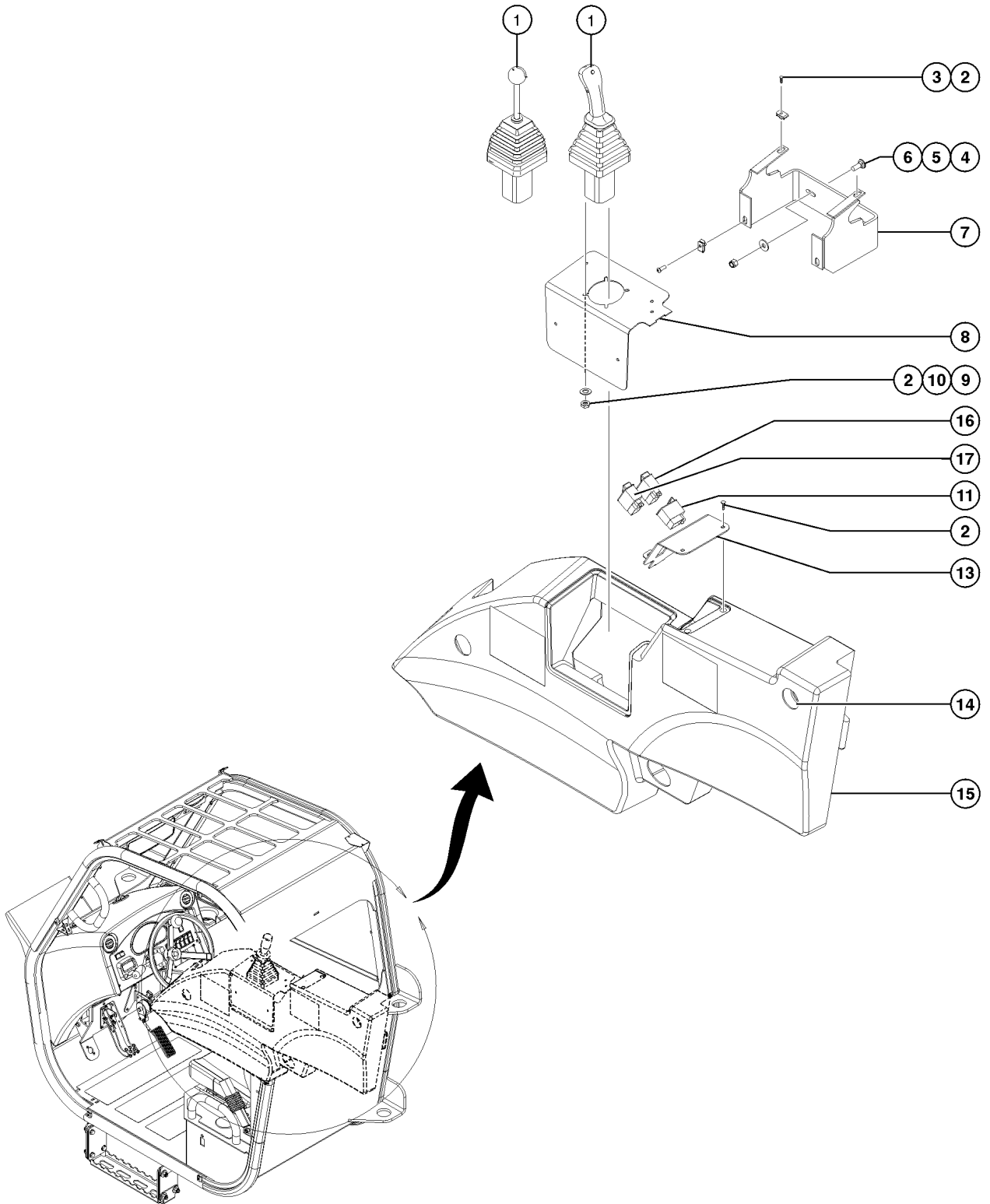
403.1 Standard Cab Components, View 3 (to SN GTH1012-16291)



## 403.1 Standard Cab Components, View 3 (to SN GTH1012-16291)

Item	Part No.	Description	Qty.
1	123563GT	FIRE EXTINGUISHER.....1	1
2	81900GT	PLUG,NYLON 2.093 BLACK DOMED.....1 <i>see section 407.1 for replacement vent</i>	1
3	130965GT	THROTTLE PED,PLASTIC TREADLE)...1	1
--	130942GT	HARNESS,THROTTLE PEDAL,WC.....1	1
4	117614GT	BRAKE VALVE,GTH.....1	1
5	105092GT	BOLT,CARRIAGE,3/8-16X1.25,GR5	
6	6097GT	WASHER,FLAT,USS,3/8",Y	
7	4828GT	NUT,NYLOCK,3/8-16	
8	T106382GT	FLGHCS,3/8-16X1.25.GR5,ZN,LOC	
9	29868GT	SPRING CLIP,3/8-16,.05-.20X.73,ZAG	
10	117692GT	ASSEMBLY,STEERING COLUMN.....1 <i>includes items 3 and 4</i>	1
--	117654GT	STEERING UNIT, 250CC LOAD SENSE	
--	117972GT	TRANSMISSION COL SHIFT CONTROL	
--	123136GT	STEERING WHEEL, 362MM	
--	218100GT	COLUMN, STEERING, 225MM <i>replaced 123564</i>	
--	7-147-41GT	HORN BUTTON KIT***	
--	7-147-44GT	CONTACT BRUSH SET(HORN) <i>for 7-147-41</i>	
11	141429GT	FORMING,THROTTLE PEDAL STOP.....1	1
--	6091GT	NUT,NYLOCK,1/4-20.....2	2
--	6-5204-06GT	SCREW,HHC,1/4-20X.75,GR8.....2	2
--	6-6212-04GT	WASHER,FLAT,.250, HARDENED.....2	2
12	7-125-05GT	SHIFTER ASSEMBLY***.....1	1
13	123133GT	FUSE BLOCK	
14	117880GT	ASSEMBLY,FUSE PANEL	
--	123134GT	RELAY, HIGH CAPACITY	
--	123688GT	FUSE,10 AMP,ATC	
--	62822GT	FUSE,15A SWITCH (62823)	
--	69864GT	FUSE,5 AMP,ATC	
15	123271GT	CONN,RECEP 12WAY,BLK,2BUSS	
16	123272GT	CONN,RECEP 12 WAY,GRY,4 BUSS	
17	123135GT	CIRCUIT BREAKER,40AMP	
--	123677GT	CIRCUIT BREAKER BOOT	
18	123269GT	CONN,RECEP 4 WAY BLK,3 DIODE	
19	123268GT	CONN,RECEP 2 WAY BLK,1 DIODE	
20	19274GT	RELAY,SPDT,12V(AUTO)**	

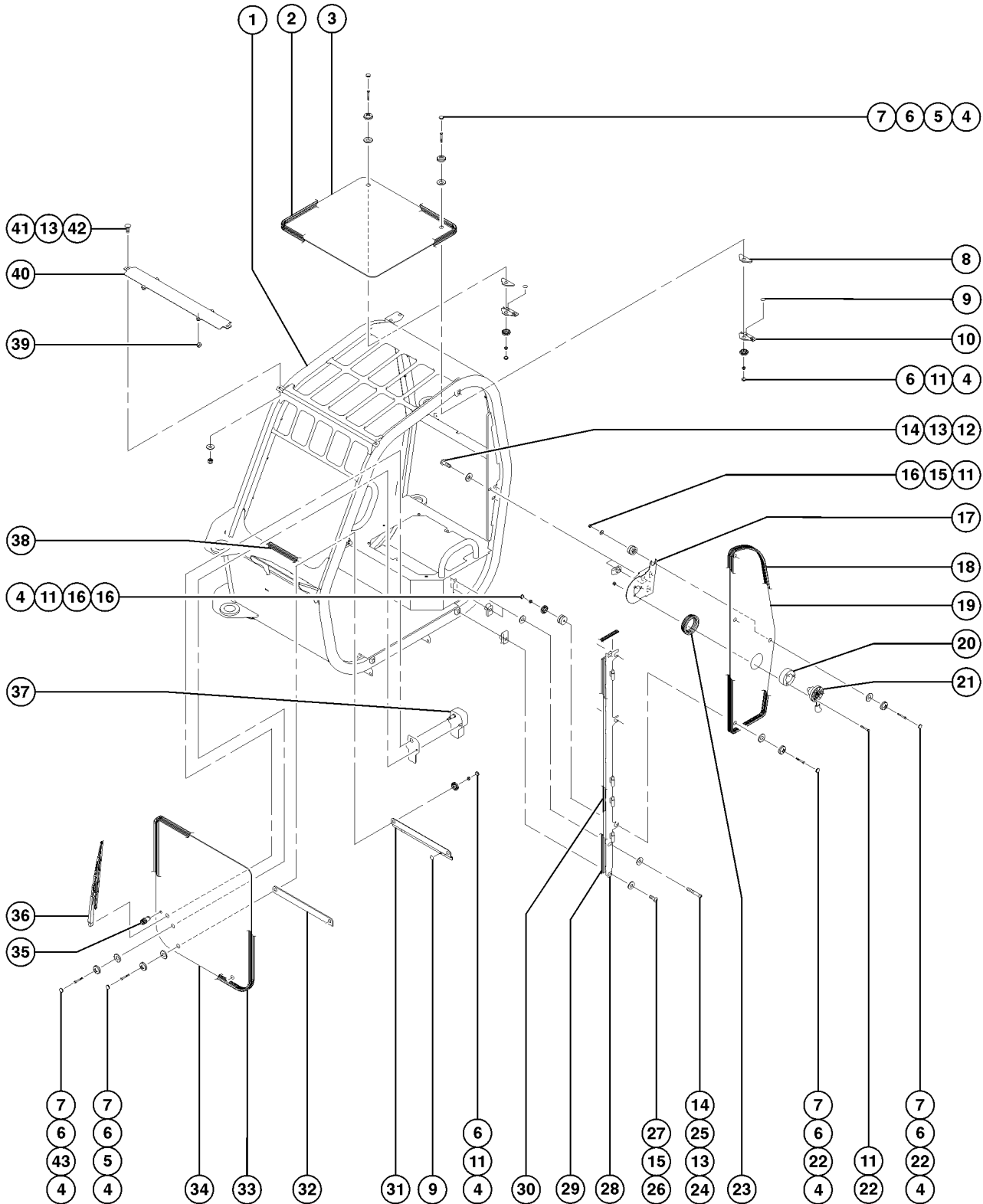
404.1 Standard Cab Components, View 4 (to SN GTH1012-16291)



## 404.1 Standard Cab Components, View 4 (to SN GTH1012-16291)

Item	Part No.	Description	Qty.
1		Ref. Joystick with Harness (refer to 410.1 or 411.1)	
1A		Ref. Joystick with Harness (Dual Option) (refer to 410.1 or 411.1)	
2	14297GT	SCREW,BHHS,1/4-20 X .75	
3	56912GT	SPRING CLIP,1/4-20,.025-.15X.54,ZAG	
4	64154GT	BOLT,CARRIAGE,3/8-16 X1.00,G5	
5	6097GT	WASHER,FLAT,USS,3/8",Y	
6	4828GT	NUT,NYLOCK,3/8-16	
7	117417GT	FORMING,JOYSTICK MOUNT.....1	
8	117223GT	FORMING,JOYSTICK MOUNT, TOP.....1	
9	6091GT	NUT,NYLOCK,1/4-20	
10	6638GT	WASHER,FLAT,USS,1/4"Y	
11	123138GT	SWITCH, AUXILIARY.....2	
--	123567GT	PANEL PLUG.....1 (optional)	
13	117227GT	FORMING,STAB SWITCH MOUNT.....1	
14	81900GT	PLUG,NYLON 2.093 BLACK DOMED.....2 see section 408.1 for replacement vent	
15	117225GT	PLASTIC SIDE.....1	
16	236346GT	SWITCH,STABILIZER RIGHT.....1	
17	236345GT	SWITCH,STABILIZER LEFT.....1	

405.1 Enclosed Cab Assembly Option, View 1 (to SN GTH1012-16291)

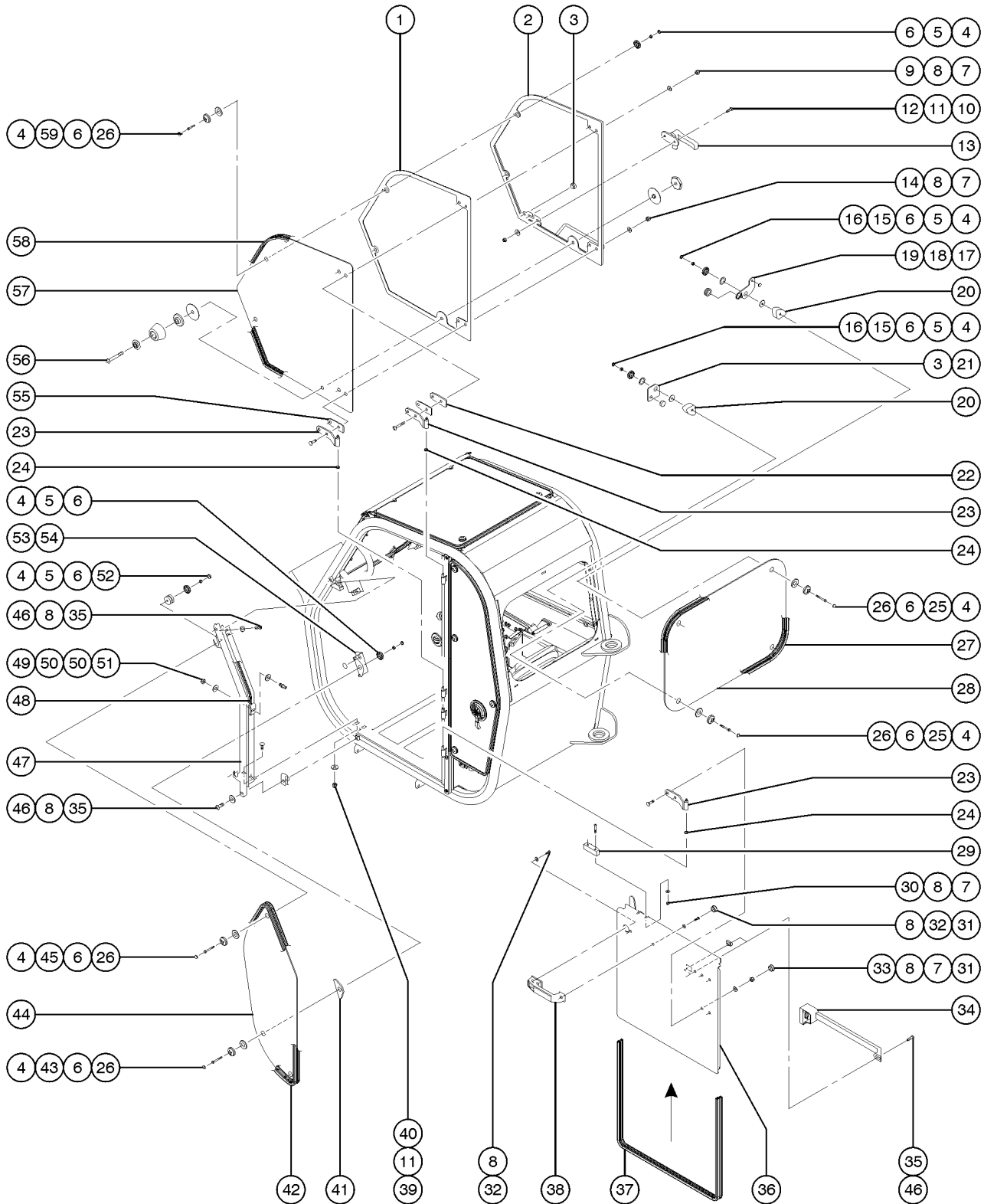




## 405.1 Enclosed Cab Assembly Option, View 1 (to SN GTH1012-16291)

Item	Part No.	Description	Qty.	Item	Part No.	Description	Qty.
--	1269532GT	PUNCH SAFE T PUNCH DECAL GLASS BREAKING PUNCH DECAL GLASS SAFETY PUNCH EXIT DECAL		--	138011GT	SVC ACC.,FRONT WINDOW,GTH10XX	
--	1270245GT	KIT, GLASS BREAK PUNCH (includes decal pn 1269532)		35	130203GT	NOZZLE,WINDSHIELD WASHER.....1	
--	130567GT	KIT,GTH10X ENCLOSED CAB (for machines up to GTH1012-16290)		36	130160GT	WIPER ARM,14".....1	
1	108995GT	WELDMENT,CAB.....1		--	130208GT	WIPER BLADE,20"	
2	130163GT	WEATHERSTRIP,DOUBLE BULB.....111		--	138012GT	SVC ACC.,WIPER,GTH-10XX	
3	130159GT	GLASS,SKYLIGHT.....1		37	130198GT	WIPER MOTOR.....1	
--	138017GT	SVC ACC.,GLASS OVER SKYLIGHT		--	130119GT	GASKET,WIPER MOTOR COVER-DECAL	
4	130124GT	CAP,WINDOW BUSHING.....16		--	233991GT	10XX WIPER SEAL KIT	
5	14162GT	SCREW,HHC,M6 X 35MM,GR 8.8		38	46718GT	TRIMLOCK,BLACK,3/16.....19-inches	
6	130123GT	BUSHING,WINDOW FASTENER.....16		39	43392GT	BUMPER,BATTERY BOX & RAILS.....4	
7	130189GT	SPACER,GLASS BUSHING.....9		40	130120GT	FORMING,WINDOW RETAINER.....1	
8	130165GT	SPACER,CAB WINDOW.....2		41	73466GT	BOLT,CARRIAGE,3/8-16 X 1.00,G2	
9	47478GT	BUMPER, RUBBER, 1"OD X .461H.....6		42	4828GT	NUT,NYLOCK,3/8-16	
10	130166GT	FORMING,GLASS RETAINER.....2		43	25956GT	SCREW,HHC,M6 X 30MM,GRD 8.8	
11	49364GT	NUT,NYLOCK,M6X1.00					
12	57072GT	SCREW,BHHS,3/8-16 X 1.25					
13	6097GT	WASHER,FLAT,USS,3/8",Y					
14	29868GT	SPRING CLIP,3/8-16,.05-.20X.73,ZAG					
15	6638GT	WASHER,FLAT,USS,1/4"Y					
16	130134GT	SPACER,WINDOW.....4					
17	130212GT	WELDMENT,HOLDBACK MOUNTING....1					
18	130163GT	WEATHERSTRIP,DOUBLE BULB.....121-inches					
19	130225GT	GLASS,SIDE,LR.....1					
20	130215GT	SPACER,HOLDBACK MOUNT.....1					
21	130220GT	HOLDBACK LATCH.....1					
22	49403GT	SCREW,HHC,M6 X 50.....7					
23	130163GT	WEATHERSTRIP,DOUBLE BULB.....120					
24	36874GT	SCREW,BHHS,3/8-16 X 2.5					
25	15086GT	WASHER,FLAT,375 X 1.5 X .125					
26	14297GT	SCREW,BHHS,1/4-20 X .75					
27	56912GT	SPRING CLIP,1/4-20,.025-.15X.54,ZAG					
28	130135GT	WELDMENT,DOOR POST.....1					
--	130326GT	HINGE, WELD-ON, MALE.....2					
--	42726GT	WEATHER STRIPPING,1/2"X3/8 THK					
29	130259GT	SEAL,J HOOK.....61					
30	130332GT	WEATHERSTRIP,DOUBLE BULB.....21					
31	130122GT	FORMING,FRONT WINDOW MOUNT....1					
32	130121GT	SPACER,FRONT WINDOW,HDPE.....1					
33	130163GT	WEATHERSTRIP,DOUBLE BULB					
34	130117GT	GLASS,FRONT WINDSHIELD.....1					

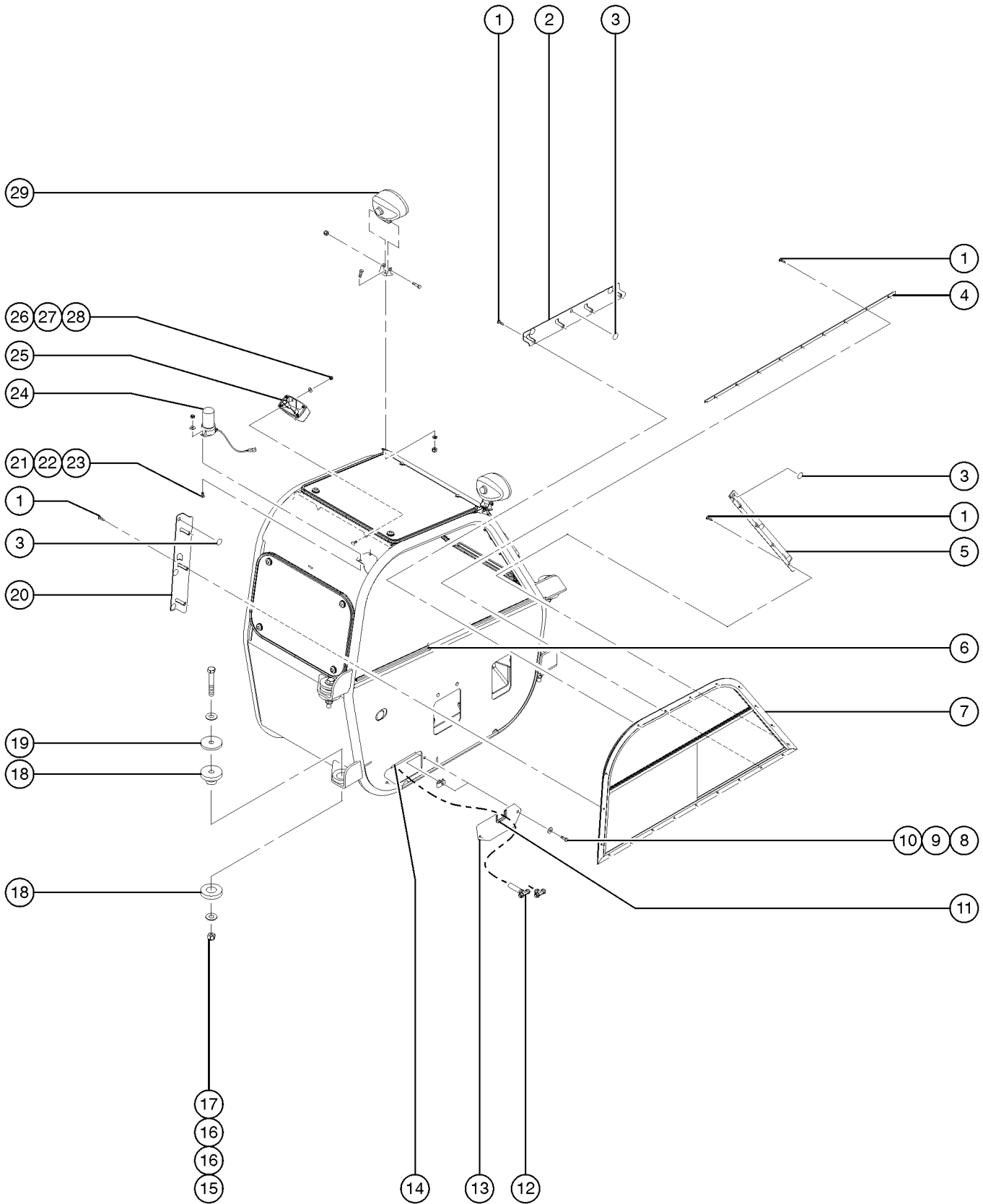
406.1 Enclosed Cab Assembly Option, View 2 (to SN GTH1012-16291)



## 406.1 Enclosed Cab Assembly Option, View 2 (to SN GTH1012-16291)

Item	Part No.	Description	Qty.	Item	Part No.	Description	Qty.
1	130141GT	GASKET,DOOR WINDOW.....	1	--	46718GT	TRIMLOCK,BLACK,3/16.....	32-inches
2	130242GT	ASSY,DOOR WINDOW,ENCL.CAB..... (includes items 1, 3-7, 8-14, 22-23, 26-27, 56-58 and 60)	1	37	130163GT	WEATHERSTRIP,DOUBLE BULB.....	74-inches
--	130139GT	WELDMENT,WINDOW FRAME		38	641025GT	HANDLE.....	1
3	43392GT	BUMPER,BATTERY BOX & RAILS.....	3	--	0908030119GT	KEY, CAB DOOR	
4	130124GT	CAP,WINDOW BUSHING.....	18	39	4828GT	NUT,NYLOCK,3/8-16	
5	49364GT	NUT,NYLOCK,M6X1.00		40	73466GT	BOLT,CARRIAGE,3/8-16 X 1.00,G2	
6	130123GT	BUSHING,WINDOW FASTENER.....	81	41	130165GT	SPACER,CAB WINDOW	
7	6091GT	NUT,NYLOCK,1/4-20		42	130163GT	WEATHERSTRIP,DOUBLE BULB	
8	6638GT	WASHER,FLAT,USS,1/4"Y		43	14162GT	SCREW,HHC,M6 X 35MM,GR 8.8	
9	73464GT	BOLT,CARRIAGE,1/4-20 X 1.75,G2		44	130132GT	GLASS,FRONT SIDE WINDOW	
10	23057GT	SCREW,HHC,M8 X 20MM		45	49403GT	SCREW,HHC,M6 X 50	
11	6097GT	WASHER,FLAT,USS,3/8",Y		46	14297GT	SCREW,BHHS,1/4-20 X .75	
12	25368GT	NUT,NYLOCK,M8X1.25		47	130148GT	WELDMENT,DOOR STOP.....	1
13	640696GT	INTERNAL GLASS HANDLE.....	1	48	130259GT	SEAL,J HOOK.....	20-inches
14	9116GT	BOLT,CARRIAGE,1/4-20x1.25,G2		49	130301GT	NUT,M12-1.00	
15	38709GT	WASHER,SHIM,.938 X 1.37 X .048		50	6095GT	WASHER,FLAT,USS,1/2",Y	
16	12906GT	WASHER,FENDER,.25 X 1.25 X.062		51	130241GT	POST,STRIKER.....	1
17	130162GT	PLATE,WINDOW LEVER.....	2	51A	130301GT	NUT,M12-1.00 for 130241	
18	11890GT	GLIDE BUTTON,SIDE,GLL,.100 TK		52	130134GT	SPACER,WINDOW.....	2
19	60584GT	GROMMET,RUBBER .75 X .19 X 1**.....	2	53	130133GT	FORMING,WINDOW CLAMP.....	1
20	130126GT	SPACER,CAB WINDOW.....	4	54	47478GT	BUMPER, RUBBER, 1"OD X .461H.....	2
21	130127GT	PLATE,WINDOW RETAINER.....	2	55	130258GT	GASKET,HINGE.....	2
22	130147GT	SPACER,HINGE.....	1	56	130254GT	POST,HOLDBACK LATCH.....	1
--	130258GT	GASKET,HINGE		57	130138GT	GLASS,DOOR WINDOW.....	1
23	130128GT	HINGE WELDMENT,FEMALE.....	4	58	130163GT	WEATHERSTRIP,DOUBLE BULB.....	123-inches
24	130327GT	WASHER,THRUST,4X.6X.1		59	25956GT	SCREW,HHC,M6 X 30MM,GRD 8.8	
25	25930GT	SCREW,HHC,M6 X 55MM,GRD 8.8					
26	130189GT	SPACER,GLASS BUSHING.....	9				
27	130163GT	WEATHERSTRIP,DOUBLE BULB.....	95-inches				
28	130161GT	GLASS,REAR WINDOW.....	1				
--	130164GT	ASSEMBLY, REAR WINDOW					
29	130223GT	MOUNT,LATCH.....	1				
30	88614GT	SCREW,BHHS,1/4-20 X 1.75					
31	7-144-09GT	HOLE PLUG,1 1/8 DIA.....	5				
32	22578GT	SCREW,HHC,M6 X 20MM,GR8.8					
33	124576GT	BOLT,CARRIAGE,1/4-20X1.00 G5.....	4				
34	641026GT	HANDLE / KIT.....	1				
35	56912GT	SPRING CLIP,1/4-20,.025-.15X.54,ZAG					
36	130195GT	DOOR ASSY,ENCL.CAB..... (Includes items 7-8, 23, 27, 29-35, 38 and 46)	1				
--	130194GT	WELDMENT,CAB DOOR					

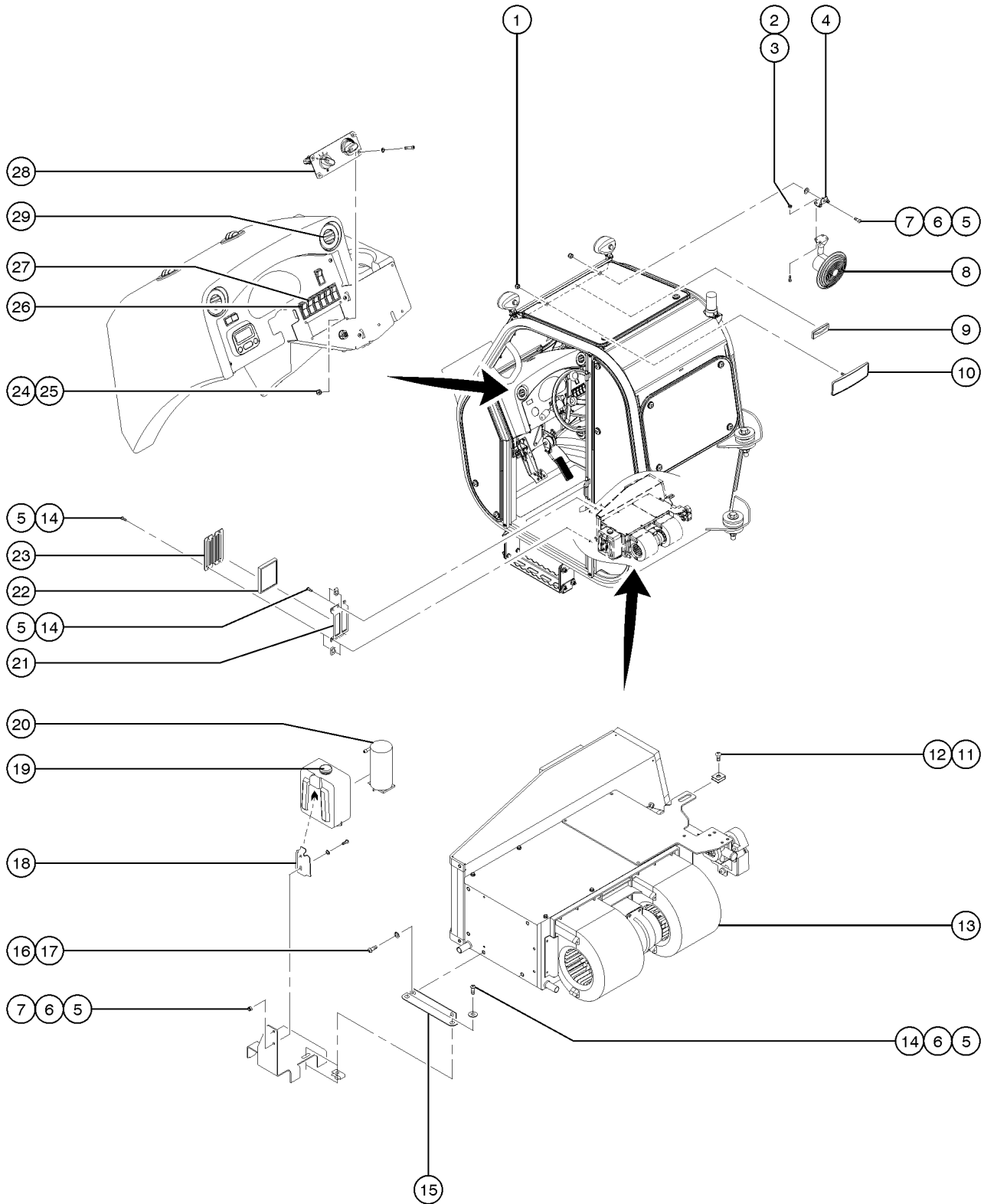
407.1 Enclosed Cab Assembly Option, View 3 (to SN GTH1012-16291)



## 407.1 Enclosed Cab Assembly Option, View 3 (to SN GTH1012-16291)

Item	Part No.	Description	Qty.	Item	Part No.	Description	Qty.
1	130333GT	SCREW,SELF DR TEK PH#8 X .75		--	138015GT	SVC ACC.,INTERIOR DOMELIGHT	
2	130250GT	FORMING,SLIDER MOUNT TOP		--	7-319-31GT	BULB / HEADLIGHT for 7-162-02 for 7-162-02	
3	47478GT	BUMPER, RUBBER, 1"OD X .461H.....9					
4		CAP.....1 (component no longer available)					
5	130252GT	FORMING,SLIDER MOUNT FRONT.....1					
6	46718GT	TRIMLOCK,BLACK,3/16.....54					
7	230045GT	WINDOW, RH SLIDING GTH.....1					
--		HANDLE, D15, HIGH (218490) (component no longer available)					
--	138014GT	SVC ACC.,RH SLIDING WINDOW					
--	218489GT	KNOB, LOCKING					
8	6175GT	SCREW,HHC,3/8-16 X 1					
9	6097GT	WASHER,FLAT,USS,3/8",Y					
10	108581GT	SPRING CLIP,3/8-16 LG ZINC					
11	46718GT	TRIMLOCK,BLACK,3/16.....5.5					
12	7-297-02GT	CONNECTOR,HOSE,Y.....2					
13	130125GT	COVER,PANEL ACCESS.....1					
14	46718GT	TRIMLOCK,BLACK,3/16.....8					
15	123189GT	NUT,NYLOCK,1-8,GR8.....4					
16	38859GT	WASHER,FLAT,USS,1",Y					
17	117316GT	SCREW,HHC,1-8X6.5,GR8.....4					
18	123139GT	ISOLATOR,CAB.....4					
19	1-1532GT	WASHER,RUBBER MOUNT,CAB.....4					
20	130251GT	FORMING,SLIDER MOUNT BACK.....1					
21	71874GT	BOLT,CARRIAGE,#10-24X.50,G2					
22	6146GT	WASHER,FLAT,MS,#10,Y					
23	5365GT	NUT,NYLOCK,10-24					
24	105107GT	STROBE,BEACON W/O HARDWARE***.....1					
--	105556GT	LENS,FLASHING BEACON for 105107					
--	105557GT	BULB,FLASHING BEACON for 105107					
--	123814GT	HARNES,STROBE.....1					
25	123819GT	LIGHT,DOME,GTH					
--	119065GT	CONN,RECEP 2 WAY ENDCAP DT					
--	123813GT	FORMING,DOME LIGHT,MOUNT					
--	123817GT	DOME LIGHT WITH CONNECTOR.....1					
26	6091GT	NUT,NYLOCK,1/4-20					
27	6638GT	WASHER,FLAT,USS,1/4"Y					
28	6878GT	BOLT,CARRIAGE,1/4-20 X .75,G2					
29	7-162-02GT	CAB LIGHT					
--	123802GT	HEAD LIGHT.....1 (with mounting fasteners)					

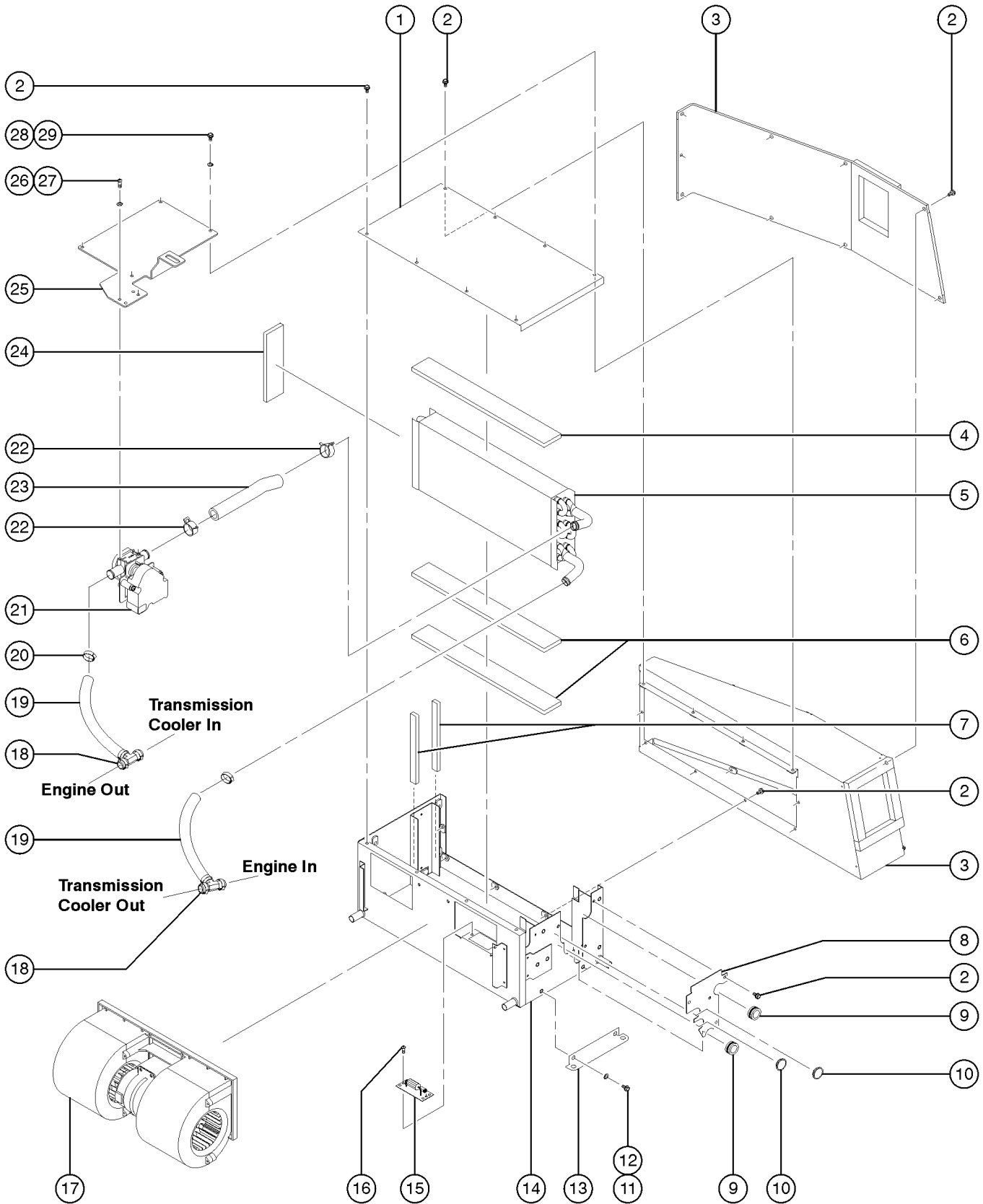
408.1 Enclosed Cab Assembly Option, View 4 (to SN GTH1012-16291)



## 408.1 Enclosed Cab Assembly Option, View 4 (to SN GTH1012-16291)

Item	Part No.	Description	Qty.
1	6889GT	NUT,LP NYLOCK,1/4-20	
2	6178GT	NUT,NYLOCK,10-32	
3	32328GT	SCREW,SHC,10-32 X .5.....1	
4	130197GT	FORMING,DEFROSTER MOUNT	
5	14297GT	SCREW,BHHS,1/4-20 X .75	
6	6638GT	WASHER,FLAT,USS,1/4"Y	
7	6091GT	NUT,NYLOCK,1/4-20.....1	
8	130536GT	FAN,DEFROSTER,GENIE CAB	
--	130245GT	HARNES,DEFROSTER FAN.....1	
--	138028GT	SVC ACC.,DEFROSTER FAN,GTH10XX	
9	123561GT	LEV-O-GAGE INDICATOR.....1	
10	123573GT	MIRROR, INTERIOR	
11	28487GT	SCREW,BHHS,3/8-16 X 1	
12	108581GT	SPRING CLIP,3/8-16 LG ZINC	
13	117649GT	HEATER	
14	56912GT	SPRING CLIP,1/4-20,.025-.15X.54,ZAG.....1	
15	115273GT	MOUNTING BRACKET (117649)	
16	115285GT	TAPPING SCREW M6 X 10 (117649)	
17	6356GT	WASHER,LOCK,.25.....1	
18	123222GT	BRACKET,WASHER RESERVOIR.....1	
19	123245GT	WASHER BOTTLE/BRACKET ASSY.....1	
20	123223GT	PUMP,12V WASHER.....1	
21	123301GT	FORMING,FILTER BRACKET.....1	
22	130207GT	FILTER,CAB AIR INTAKE.....1	
23	130302GT	COVER,CAB AIR INTAKE	
24	5365GT	NUT,NYLOCK,10-24	
25	110359GT	SCREW,PHM, 10-24 X .50	
26	7-164-09GT	SWITCH,DIFFERENTIAL LOCK	
27	130196GT	SWITCH, WIPER.....1 <i>three terminal, two position</i>	
28	123288GT	HEAT-AC CONTROL,26-1538	
--	115220GT	POTENTIOMETER ASSY (123288)	
--	115221GT	OVERLAY (123288)	
--	115222GT	CONTROL KNOB (123288)	
--	115223GT	BLOWER SWITCH W/NUT (123288)	
--	115224GT	CONTROL PLATE (123288)	
29	123290GT	VENT,MCCI 23-0171	

409.1 Enclosed Cab Assembly Option, Heater Assembly (to SN GTH1012-16291)

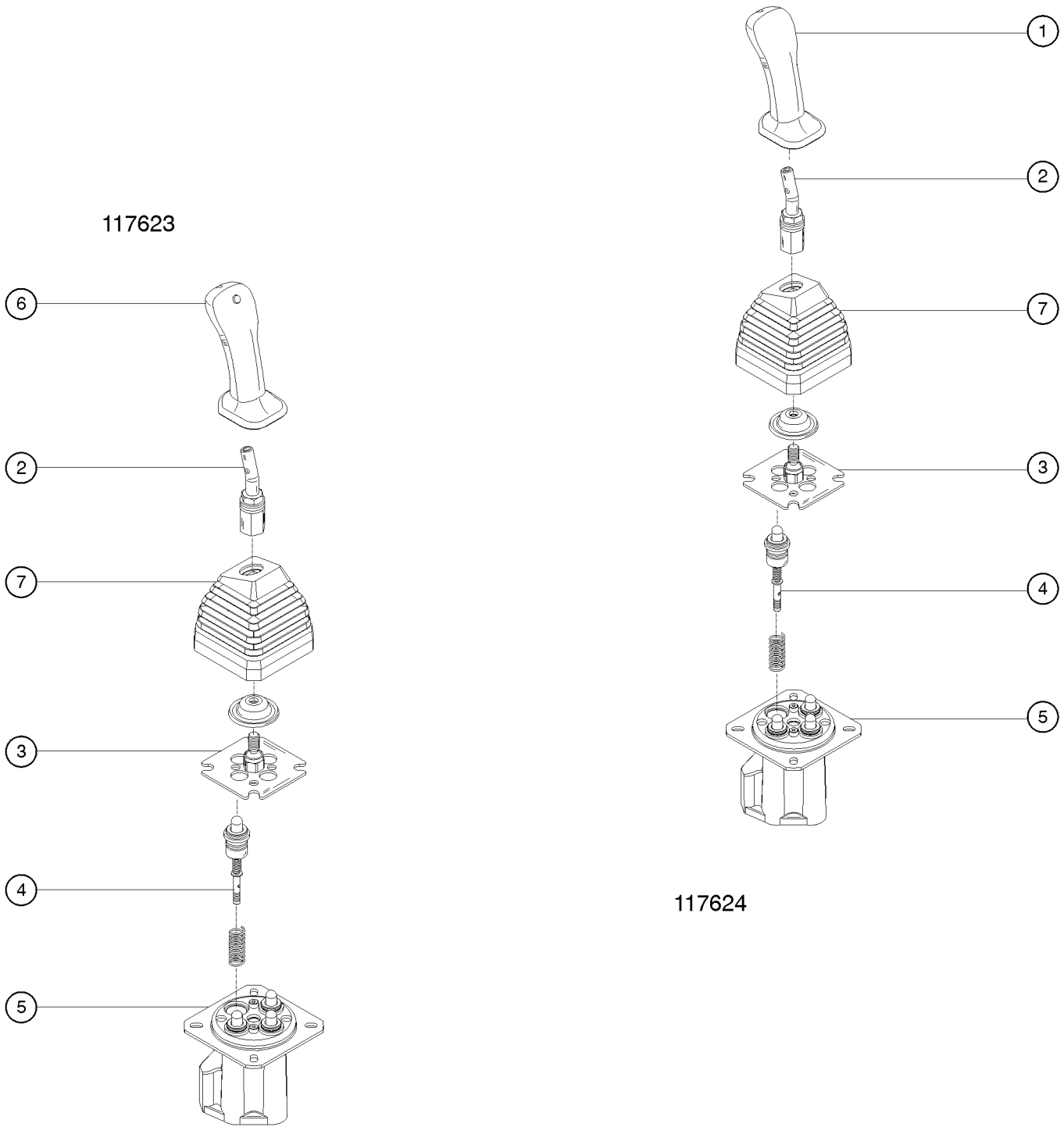




## 409.1 Enclosed Cab Assembly Option, Heater Assembly (to SN GTH1012-16291)

Item	Part No.	Description	Qty.
--	130207GT	FILTER,CAB AIR INTAKE	
--	117649GT	HEATER	
1	115272GT	COIL COVER, TOP (117649).....	1
2	115284GT	TAPPING SCREW M4 X 8 (117649)	
3	115274GT	DUCT ASSEMBLY (117649).....	1
4	115290GT	FOAM, 6.35 X 47.6MM (117649).....	1
5	115269GT	HEATER COIL (117649).....	1
6	115288GT	FOAM, 1/2 X 343MM (117649).....	2
7	115287GT	FOAM, 5/8 X 150MM (117649).....	2
8	115270GT	COIL COVER (117649).....	1
9	115280GT	GROMMET (117649).....	2
10	115281GT	HOLE PLUG (117649).....	2
11	115285GT	TAPPING SCREW M6 X 10 (117649)	
12	6356GT	WASHER, LOCK, .25	
13	123531GT	FORMING, HEATER MOUNT.....	1
14	115271GT	COIL CASING (117649).....	1
15	115276GT	RESISTOR (117649).....	1
16	115282GT	SCREW, #8 X 3/8 (117649)	
17	115268GT	BLOWER (117649) WITH MOTOR.....	1
--	138013GT	SVC ACC., CAB HEATER, GTH-10XX	
18	7-297-02GT	CONNECTOR, HOSE, Y.....	2
19	1702GT	HOSE-HEATER, 5/8 ID-BLACK.....	128-inches
20	6-6252-04GT	CLAMP, HOSE.....	2
21	115277GT	MOTORIZED VALVE ASSY (117649).....	1
22	115279GT	HOSE CLAMP (117649).....	2
23	115278GT	HEATER HOSE (117649).....	1
24	115289GT	FOAM, 1/2 X 140MM (117649).....	1
25	115275GT	MOUNTING PLATE (117649).....	1
26	115286GT	PLASTITE SCREW 4 X 6	
27	49412GT	WASHER, FLAT, M4	
28	22599GT	SCREW, PHM, M4 X 12MM, TAPP.SLOT	
29	49406GT	WASHER, LOCK, M4***	

410.1 Joystick Controller Assembly (to SN GTH1012-16291)

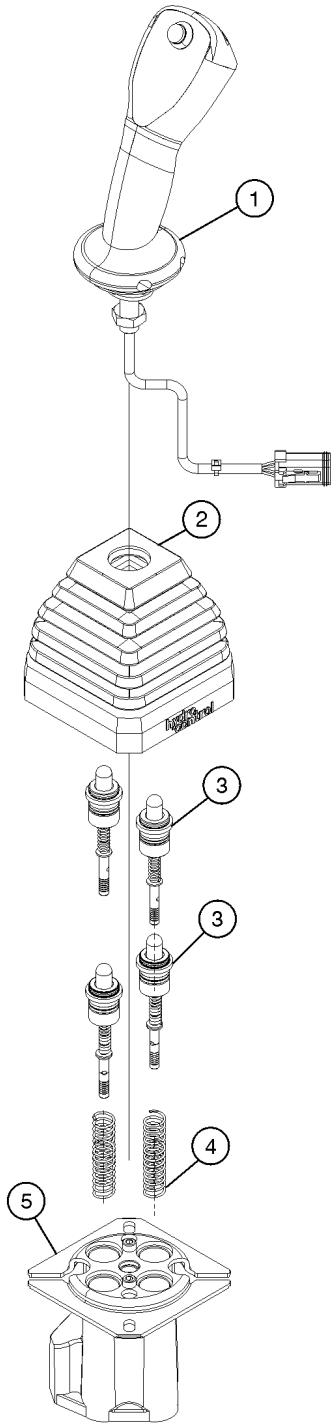


## 410.1 Joystick Controller Assembly (to SN GTH1012-16291)

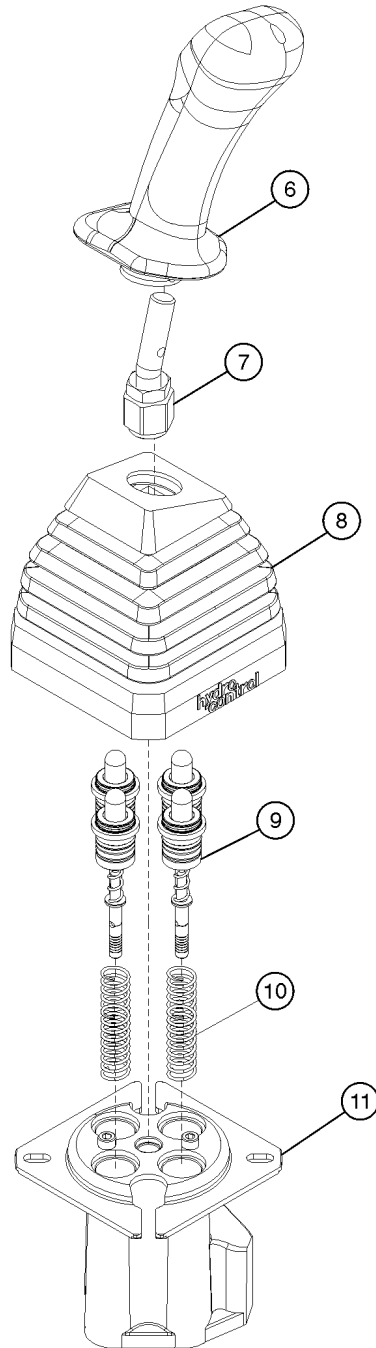
Item	Part No.	Description	Qty.
--	117623GT	CONTROLLER, HYD ERGO W/SW <i>(for single joystick option)</i>	
--	117624GT	CONTROLLER, HYD ERGO W/O SW <i>(for double joystick option)</i>	
--	130742GT	KIT, GASKET, JD-4045 <i>for 117623 and 117624</i>	
1	130743GT	KIT, HANDLE (117624).....	1
2	130744GT	KIT, LEVER.....	1
3	130745GT	KIT, CONTROL.....	1
4	130740GT	KIT, METERING CURVE.....	4
5	130741GT	RETURN SPRING, JD-4045.....	4
6	130746GT	KIT, HANDLE (117623).....	1
--	138008GT	RED PUSH BUTTON (117623) <i>rear of joystick (fork tilt function)</i>	
--	138009GT	MICROSWITCH (117623)	
--	138010GT	TRIGGER, GRAY PUSH BUTTON <i>front of joystick (sway function)</i>	
7	138059GT	RUBBER BOOT.....	1

410.2 Joystick Controller Assemblies (from SN GTH1012-16292)

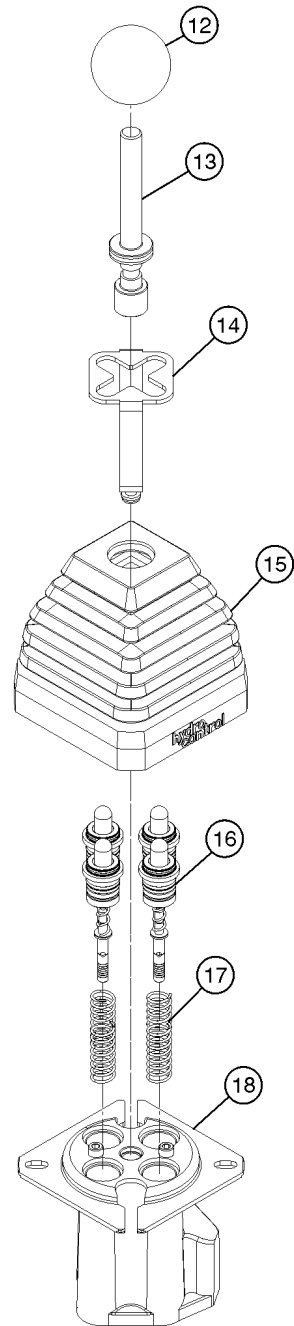
227494



214856



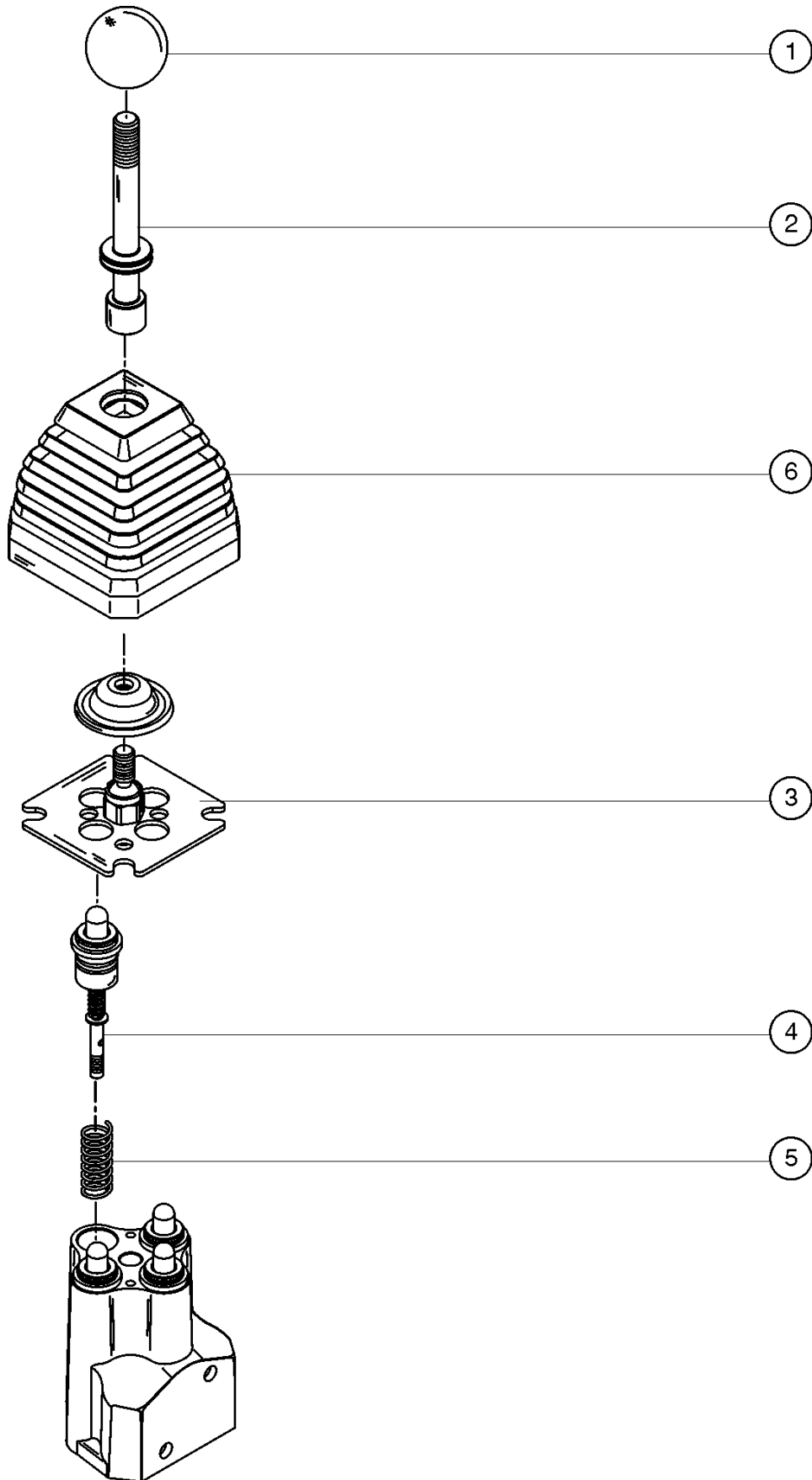
117625



## 410.2 Joystick Controller Assemblies (from SN GTH1012-16292)

Item	Part No.	Description	Qty.
A	227494GT	CONTROLLER,HYD ERGO,2 SWITCHES.....1 <i>(for single joystick option)</i>	1
--	119058GT	CONN PLUG 4 WAY ENDCAP DT.....1	1
--	1256914GT	HANDLE ASSY W/O BASE (227494).....1	1
--	54260GT	TERM,NI SOC,14-16GA,BULK.....1	1
--	60429GT	LOCK,PLUG 4 WAY,14-18GA.....1	1
--	826227GT	KIT, SEALS (227494).....1 <i>for 227494</i>	1
--	91739GT	CABLE TIE,4" RED.....1	1
B	214856GT	CONTROLLER,HYD ERGO W/O SW.....1 <i>(for double joystick option)</i>	1
--	130742GT	KIT,GASKET,JD-4045.....1	1
C	117625GT	CONTROLLER,HYD SPHERICAL KNOB.....1 <i>(for double joystick option)</i>	1
--	130742GT	KIT,GASKET,JD-4045.....1	1
1	1256914GT	HANDLE ASSY W/O BASE (227494).....1	1
2	1258060GT	BOOT, JOYSTICK (1251849).....1	1
3	826223GT	KIT, METERING, A13 (227494).....4	4
--	826224GT	KIT, METERING, A21 (227494).....1	1
4	1258063GT	SPRING, JOYSTICK METERING.....4	4
5	826226GT	JOYSTICK BODY (227494).....1	1
6	130743GT	KIT,HANDLE (117624).....1	1
7	130744GT	KIT,LEVER.....1	1
8	1258451GT	RUBBER BOOT (117624).....1	1
9	826223GT	KIT, METERING, A13 (227494).....4	4
--	826224GT	KIT, METERING, A21 (227494).....1	1
10	130741GT	RETURN SPRING,JD-4045.....4	4
11		JOYSTICK BODY (227494).....1	1
12	130737GT	HANDLE,SPHERICAL(117265).....1	1
13	130738GT	LEVER ROD (117625).....1	1
14	1258454GT	KIT, LEVER (117625).....1	1
15	1258453GT	BOOT, JOYSTICK (117625).....1	1
16	130740GT	KIT,METERING CURVE.....4	4
17	130741GT	RETURN SPRING,JD-4045.....4	4
18		JOYSTICK BODY (227494) 826226.....1 <i>component no longer available</i>	1

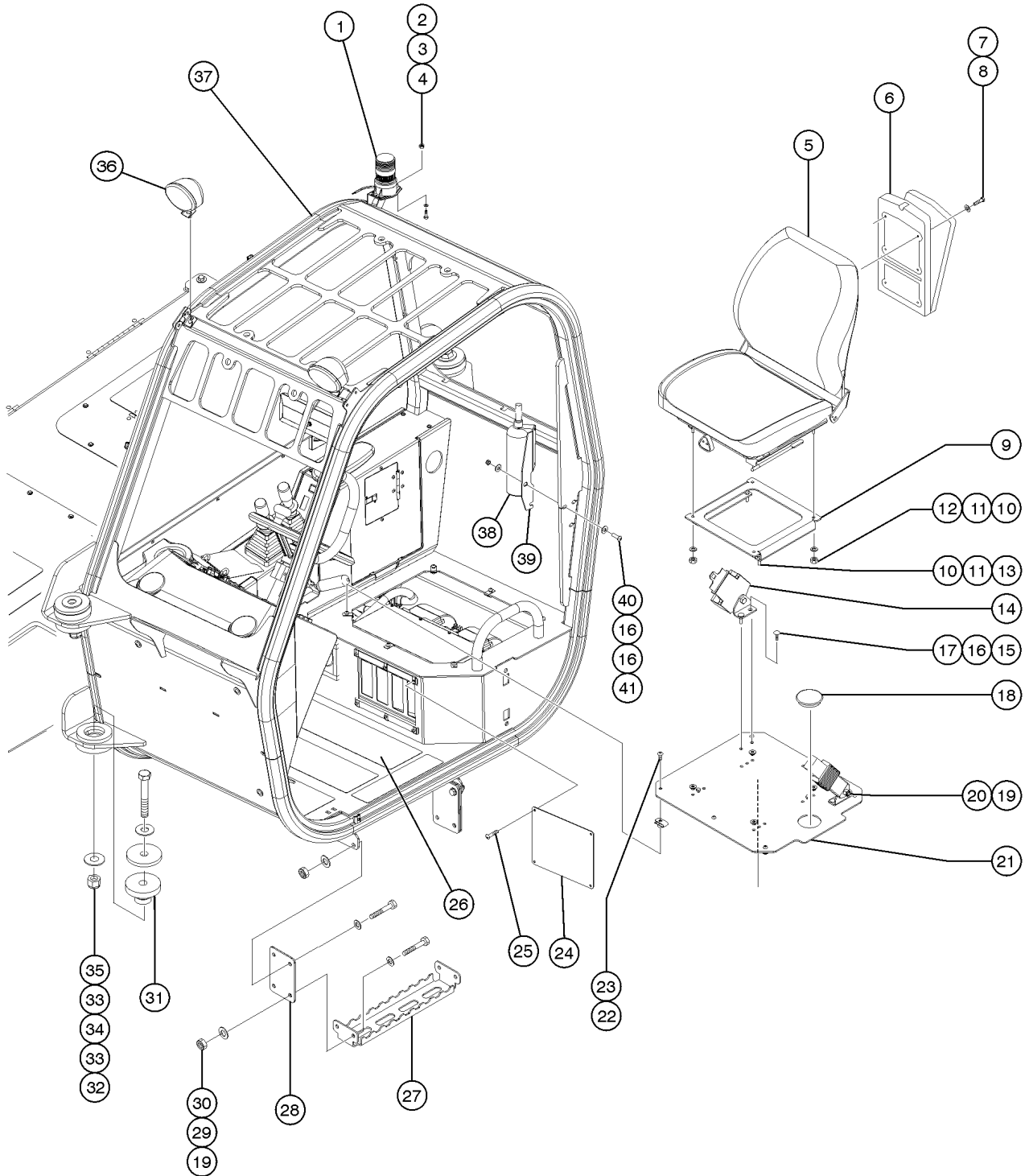
411.1 Joystick Controller Assembly, Spherical Knob



## 411.1 Joystick Controller Assembly, Spherical Knob

Item	Part No.	Description	Qty.
--	117625GT	CONTROLLER, HYD SPHERICAL KNOB <i>(for double joystick option)</i>	
--	130742GT	KIT, GASKET, JD-4045	
1	130737GT	HANDLE, SPHERICAL(117265).....	1
2	130738GT	LEVER ROD (117625).....	1
3	130739GT	CONTROL(117625).....	1
4	130740GT	KIT, METERING CURVE.....	4
5	130741GT	RETURN SPRING, JD-4045.....	4
6	138007GT	RUBBER BOOT (117625).....	1

412.1 Standard Cab Components, View 1 (from serial number GTH1012-16292)

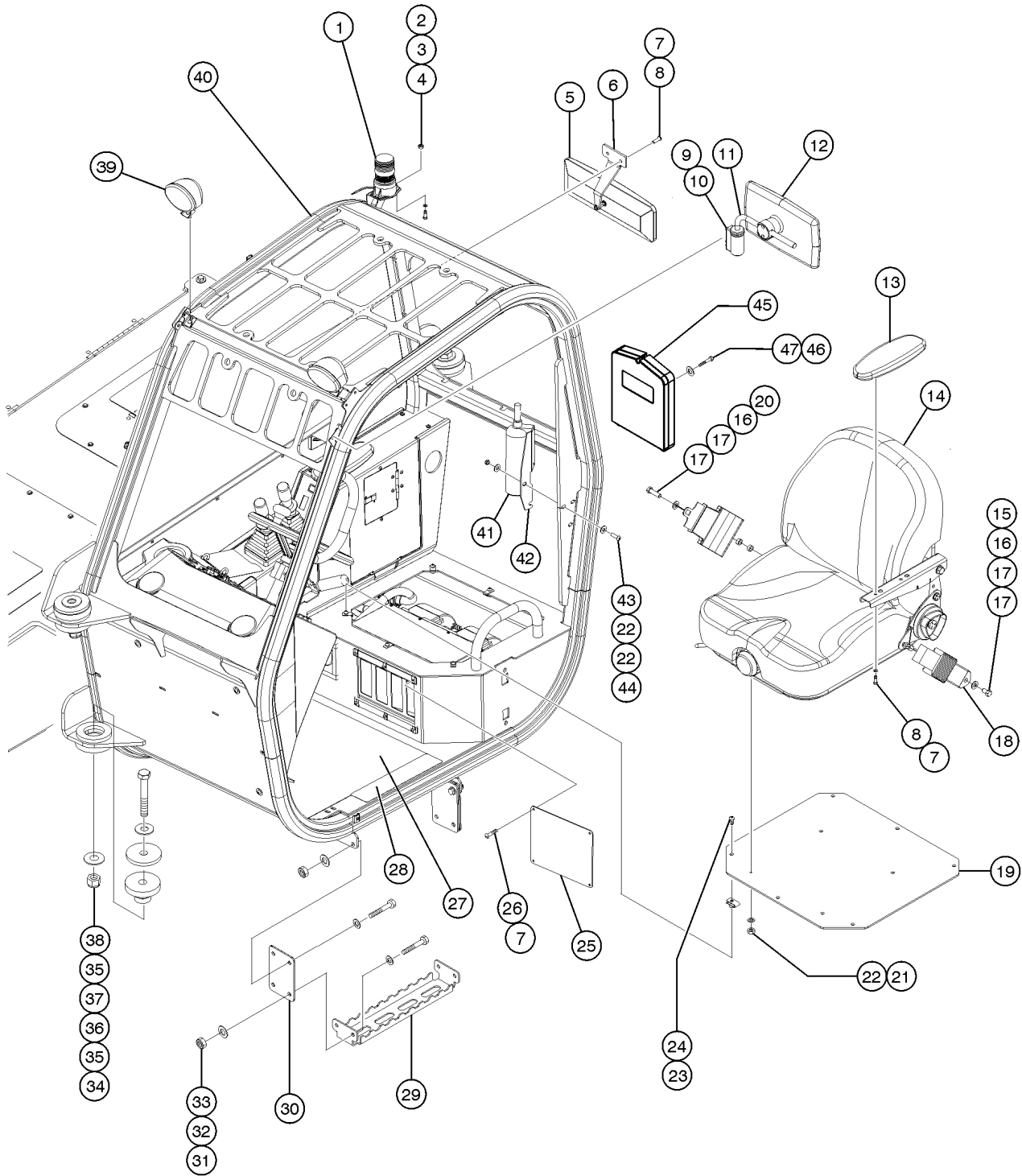




## 412.1 Standard Cab Components, View 1 (from serial number GTH1012-16292)

Item	Part No.	Description	Qty.	Item	Part No.	Description	Qty.
--	162446GT	ASSY, SKYLIGHT W/O WIPER, GTH		25	14297GT	SCREW,BHHS,1/4-20 X .75	
--	162447GT	GLASS,SKYLIGHT W/O WIPER, GTH		26	6091GT	NUT,NYLOCK,1/4-20	
--	162448GT	ASSY,FRNT WINDOW W/O WIPER, GTH		27	123265GT	FORMING,CAB STEP	
--	162449GT	GLASS,FRONT W/O WIPER, GTH		27A	24537GT	TAPE,NON-SKID,DIE CUT,6"X 2'	
--	233987GT	OPT.SUSPENSION SEAT		28	123108GT	STRAP,FLEXIBLE STEP	
1	229683GT	HARNESS, BEACON LIGHT <i>(includes beacon and wire harness connector)</i>		29	6095GT	WASHER,FLAT,USS,1/2",Y	
--	105556GT	LENS,FLASHING BEACON <i>for 231931</i>		30	141579GT	BOLT,FLANGE,1/2-13 X 1.75	
--	105557GT	BULB,FLASHING BEACON <i>for 231931</i>		31	123139GT	ISOLATOR,CAB	
--	214861GT	ASSY, BEACON LIGHT, GTH.....1 <i>fastener kit</i>		32	123189GT	NUT,NYLOCK,1-8,GR8	
--	229682GT	HARNESS, POWER, BEACON LIGHT <i>wire harness</i>		33	38859GT	WASHER,FLAT,USS,1",Y	
--	231931GT	STROBE,BEACON, AC COMP 12-80V <i>for 229683</i>		34	1-1532GT	WASHER,RUBBER MOUNT,CAB	
2	5365GT	NUT,NYLOCK,10-24		35	117316GT	SCREW,HHC,1-8X6.5,GR8	
3	6146GT	WASHER,FLAT,MS,#10,Y		36	123802GT	HEAD LIGHT <i>REFER TO SECTION 901.2</i>	
4	71874GT	BOLT,CARRIAGE,#10-24X.50,G2		37	229933GT	WELDMENT,CAB	
5	123137GT	SEAT ASSY, STD		38	88406GT	FIRE EXTINGUISHER	
5A	123574GT	SEAT ASSY, FULL-SUSPENSION		39	236433GT	FORMING, EXTINGUISHER MOUNT	
6A	44743GT	MANUAL BOX W/DECALS***.....1 <i>USA/Canada/Australia</i>		40	57072GT	SCREW,BHHS,3/8-16 X 1.25	
6B	24514GT	BOX,INSTRUCTION STORAGE <i>Europe/Asia/South America (decal required; refer to Section100)</i>		41	7713GT	NUT, LP NYLOCK, 3/8-16	
7	123773GT	BOLT,LAG,1/4NCX1,HEXHEAD					
8	6638GT	WASHER,FLAT,USS,1/4"Y					
9	229959GT	FORMING,SEAT RISER					
10	6782GT	NUT,NYLOCK,5/16-18					
11	5397GT	WASHER,FLAT,USS,5/16",Y					
12	13000GT	SCREW,HHC,5/16-18 X 1.25					
13	6-5205-08GT	SCREW,HHC,5/16-18X1					
14	117530GT	SEATBELT ASSY,3" RETRACTABLE					
15	105092GT	BOLT,CARRIAGE,3/8-16X1.25,GR5					
16	6097GT	WASHER,FLAT,USS,3/8",Y					
17	4828GT	NUT,NYLOCK,3/8-16					
18	123572GT	HOLE PLUG, 3 IN					
19	6198GT	NUT,NYLOCK,1/2-13					
20	10597GT	SCREW,HHC,1/2-13 X 1.25 GR5					
21	825144GT	PLATE, SEAT MOUNT					
22	28487GT	SCREW,BHHS,3/8-16 X 1					
23	29868GT	SPRING CLIP,3/8-16,.05-.20X.73,ZAG					
24	214854GT	COVER,CAB AIR INTAKE					

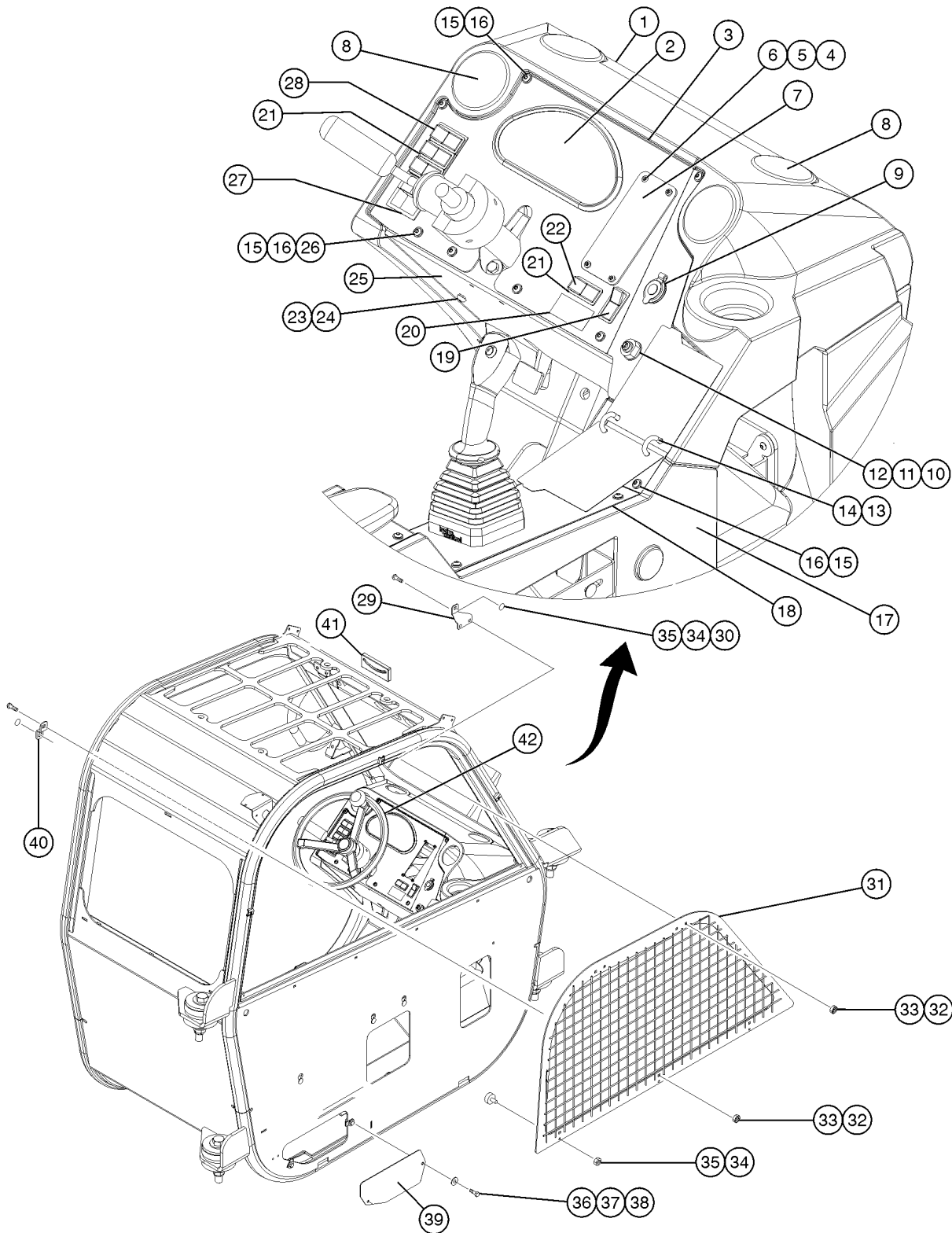
412.2 Standard Cab Components, View 1 (from serial number GTH1014-18895)



## 412.2 Standard Cab Components, View 1 (from serial number GTH1014-18895)

Item	Part No.	Description	Qty.	Item	Part No.	Description	Qty.
1	229683GT	HARNESS, BEACON LIGHT <i>(includes beacon and wire harness connector)</i>		29	123265GT	FORMING,CAB STEP.....	1
--	105556GT	LENS,FLASHING BEACON		--	1253956GT	FORMING,CAB STEP	
--	105557GT	BULB,FLASHING BEACON		30	123108GT	STRAP,FLEXIBLE STEP.....	2
--	214861GT	ASSY, BEACON LIGHT, GTH.....	1	31	6198GT	NUT,NYLOCK,1/2-13	
		<i>fastener kit</i>		32	6095GT	WASHER,FLAT,USS,1/2",Y	
--	229682GT	HARNESS, POWER, BEACON LIGHT <i>wire harness</i>		33	141579GT	BOLT,FLANGE,1/2-13 X 1.75	
--	231931GT	STROBE,BEACON, AC COMP 12-80V <i>for 229683</i>		34	123189GT	NUT,NYLOCK,1-8,GR8	
2	5365GT	NUT,NYLOCK,10-24		35	38859GT	WASHER,FLAT,USS,1",Y	
3	6146GT	WASHER,FLAT,MS,#10,Y		36	123139GT	ISOLATOR,CAB.....	4
4	71874GT	BOLT,CARRIAGE,#10-24X.50,G2		37	1-1532GT	WASHER,RUBBER MOUNT,CAB.....	4
5	123573GT	MIRROR, INTERIOR.....	1	--	1254034GT	WASHER,RUBBER MOUNT,CAB.....	4
6	1253959GT	FORMING,CAB MIRROR.....	1	38	117316GT	SCREW,HHC,1-8X6.5,GR8	
7	14297GT	SCREW,BHHS,1/4-20 X .75		39	233989GT	HARNESS, CAB LIGHT.....	2
8	6889GT	NUT,LP NYLOCK,1/4-20				<i>REFER TO SECTION 901.2</i>	
9	22578GT	SCREW,HHC,M6 X 20MM,GR8.8		40	229933GT	WELDMENT,CAB.....	1
10	825355GT	WASHER,FLAT,M6,DIN125,ZAB		--	1253947GT	WELDMENT,CAB	
11	1279209GT	MIRROR ARM, CAB, GTH.....	1	41	88406GT	FIRE EXTINGUISHER.....	1
12	1279208GT	MIRROR, CAB, GTH.....	1	42	1254055GT	FORMING,EXTINGUISHER MOUNT.....	1
13	229304GT	PAD, ARMREST.....	1	43	57072GT	SCREW,BHHS,3/8-16 X 1.25.....	3
14	218102GT	SEAT ASSY, SUSPENSION, RECLINE.....	1	44	7713GT	NUT, LP NYLOCK, 3/8-16.....	1
--	1253474GT	COVER, SEAT BASE, SUSPENSION <i>for 218102</i>		45A	44743GT	MANUAL BOX W/DECALS***.....	1
--	1253475GT	COVER, SEAT BACK, SUSPENSION <i>for 218102</i>				<i>USA/Canada/Australia</i>	
--	1260062GT	HANDLE, SEAT ADJUST <i>for 218102</i>		45B	24514GT	BOX,INSTRUCTION STORAGE <i>Europe/Asia/South America (decal required; refer to Section100)</i>	
15	823749GT	SCREW, HHC, 7/16-20X.75, G5, Z		46	80149GT	BOLT,CARRIAGE,1/4-20 X .5,G2	
16	106134GT	WASHER,FLAT,HARDENED 7/16		47	18504GT	NUT,LOCKING-LG.FLANGE,1/4-20	
17	822806GT	TUBE, SEAT BELT SPACER.....	4				
18	117530GT	SEATBELT ASSY,3" RETRACTABLE.....	1				
19	1254148GT	PLATE,SEAT MOUNT.....	1				
20	823750GT	SCREW, HHC, 7/16-20X1.5, G5,Z					
21	6782GT	NUT,NYLOCK,5/16-18					
22	5397GT	WASHER,FLAT,USS,5/16",Y					
23	28487GT	SCREW,BHHS,3/8-16 X 1					
24	29868GT	SPRING CLIP,3/8-16,.05-.20X.73,ZAG					
25	1253981GT	COVER,CAB AIR INTAKE.....	1				
26	6091GT	NUT,NYLOCK,1/4-20					
27	823055GT	FORMING, FLOORMAT GUARD.....	1				
--	1254146GT	FORMING, FLOORMAT GUARD					
28	214581GT	FLOORMAT, CAB.....	1				

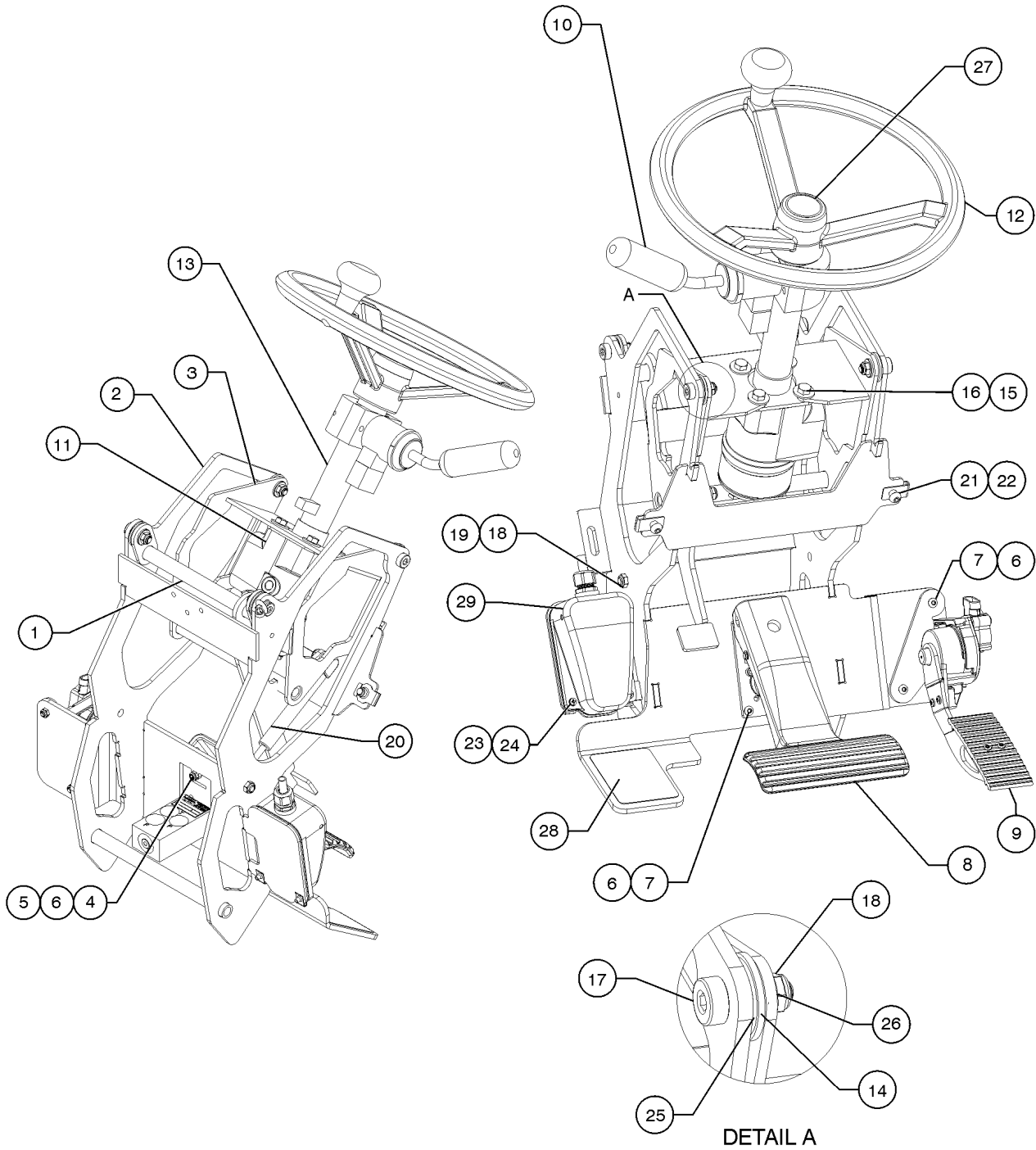
413.1 Standard Cab Components, View 2 (from serial number GTH1012-16292)



## 413.1 Standard Cab Components, View 2 (from serial number GTH1012-16292)

Item	Part No.	Description	Qty.	Item	Part No.	Description	Qty.
--	215625GT	Load Chart, GTH-1056, 1-2		35	6782GT	NUT,NYLOCK,5/16-18	
--	215626GT	Load Chart, GTH-1056, 2-3		36	56912GT	SPRING CLIP,1/4-20,.025-.15X.54,ZAG	
--	215627GT	Load Chart, GTH-1056, 3-4		37	6638GT	WASHER,FLAT,USS,1/4"Y	
--	215628GT	Load Chart, GTH-1056, 4-5		38	6888GT	SCREW,HHC,1/4-20 X 1	
--	215629GT	Load Chart, GTH-1056, 5-6		39	230033GT	COVER,PANEL, CAB AC	
--	215630GT	Load Chart, GTH-1056, 6-7		40	123705GT	FORMING,SCREEN MOUNT,BOTTOM	
--	215631GT	Load Chart, GTH-1056, 7-8		41	123561GT	LEV-O-GAGE INDICATOR	
1	229971GT	DASH COVER		42	123136GT	STEERING WHEEL, 362MM	
2	1271459GT	GAUGE CLUSTER,CAN ENABLED,CAB					
--	227495GT	HARNESS, DASHBOARD					
3	230015GT	FORMING, DASH PANEL					
4	110359GT	SCREW,PHM, 10-24 X .50					
5	6146GT	WASHER,FLAT,MS,#10,Y					
6	5365GT	NUT,NYLOCK,10-24					
7	215468GT	COVER,CONTROL PANEL					
8	123572GT	HOLE PLUG, 3 IN					
9	229978GT	PORT POWER 12V, 10A					
10	1289104GT	KIT,SWITCH WITH KEYS					
--	58322GT	KEY,SET 2 KEYS					
11	6607GT	WASHER,LOCK,#10 PLTD					
12	104030GT	NUT HEX M5-0.8 CLASS 8 ZINC					
13	18504GT	NUT,LOCKING-LG.FLANGE,1/4-20					
14	28611GT	UBOLT,1/4-20 X .75,1.75X1.00					
15	14297GT	SCREW,BHHS,1/4-20 X .75					
16	236439GT	WASHER,FLAT,USS,#12,Y					
17	229972GT	PLASTIC SIDE					
18	230002GT	FORMING,JOYSTICK MOUNT, TOP					
19	123200GT	SWITCH, PARKING BRAKE					
20	114115GT	DECAL,STEERING SELECTOR					
21	123569GT	CENTER BEZEL					
22	123201GT	SWITCH,STEER/WIPER					
23	28487GT	SCREW,BHHS,3/8-16 X 1					
24	29868GT	SPRING CLIP,3/8-16,.05-.20X.73,ZAG					
25	230017GT	FORMING, LOWER DASH					
26	56912GT	SPRING CLIP,1/4-20,.025-.15X.54,ZAG					
27	123568GT	END BEZEL					
28	123567GT	PANEL PLUG					
29	123706GT	FORMING,SCREEN MOUNT,TOP					
30	47478GT	BUMPER, RUBBER, 1"OD X .461H					
31	229300GT	WELDMENT,RH SCREEN					
32	4828GT	NUT,NYLOCK,3/8-16					
33	64154GT	BOLT,CARRIAGE,3/8-16 X1.00,G5					
34	79090GT	BUMPER, 1.00 X .375 X 5/16					

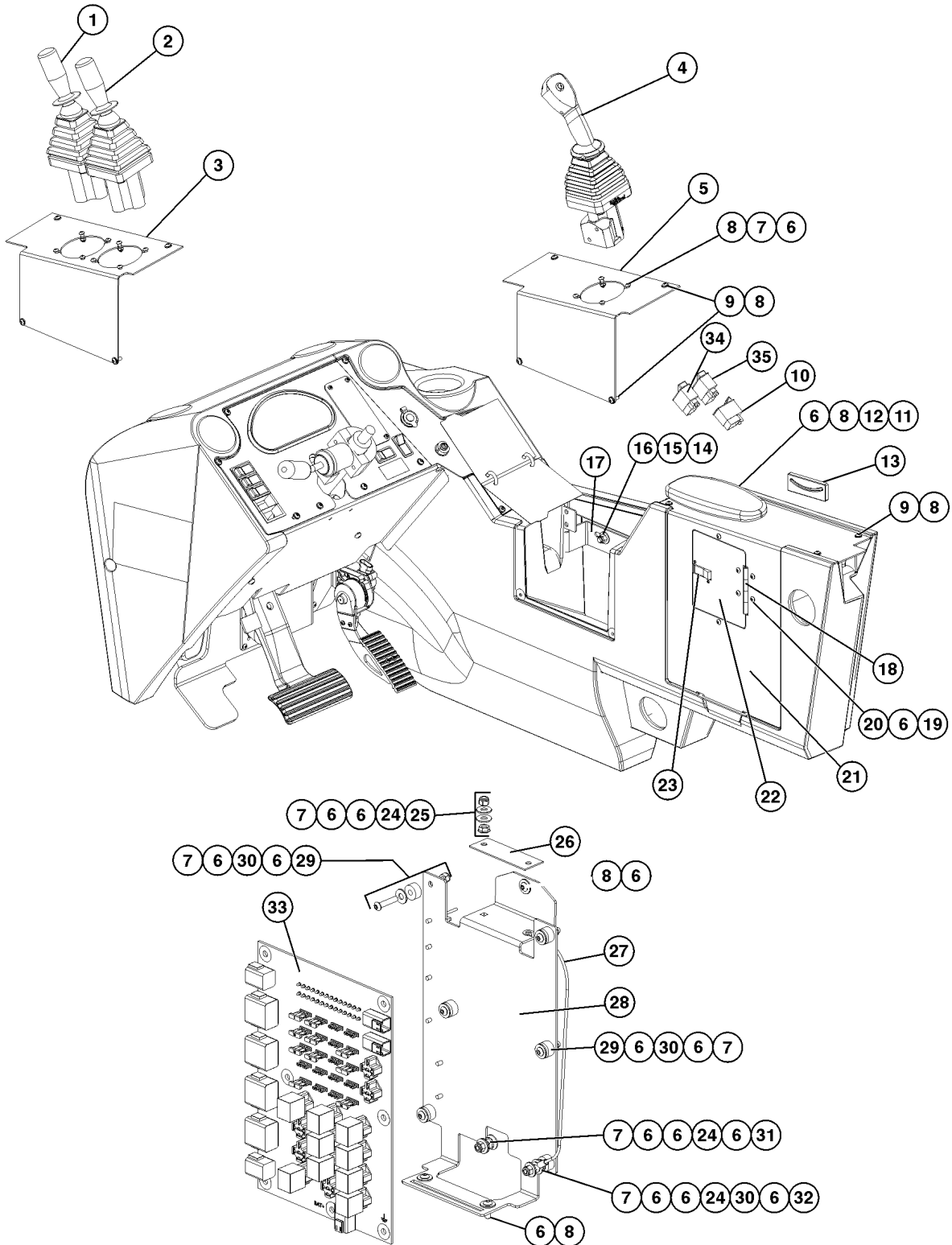
414.1 Standard Cab Components, View 3 (from serial number GTH1012-16292)



## 414.1 Standard Cab Components, View 3 (from serial number GTH1012-16292)

Item	Part No.	Description	Qty.
1	229296GT	WELDMENT, TILT LOCK.....	1
2	229961GT	WELDMENT, STEERING COLUMN.....	1
3	229965GT	WELDMENT, STEER COLUMN.....	1
4	6090GT	SCREW,HHC,1/4-20 X .75.....	1
5	6638GT	WASHER,FLAT,USS,1/4"Y.....	1
6	6889GT	NUT,LP NYLOCK,1/4-20.....	5
7	14297GT	SCREW,BHHS,1/4-20 X .75.....	4
8	226306GT	ASSEMBLY, BRAKE VALVE.....	1
9	227108GT	THROTTLE PEDAL, METAL, GTH.....	1
10	7-125-05GT	SHIFTER ASSEMBLY***.....	1
11	117654GT	STEERING UNIT, 250CC LOAD SENSE	
12	123136GT	STEERING WHEEL, 362MM.....	1
13	218100GT	COLUMN, STEERING, 225MM..... <i>replaced 123564</i>	1
14	6095GT	WASHER,FLAT,USS,1/2",Y.....	4
15	6097GT	WASHER,FLAT,USS,3/8",Y.....	4
16	6175GT	SCREW,HHC,3/8-16 X 1.....	4
17	11335GT	SCREW,SHS,3/8-16 X .5.....	4
18	7713GT	NUT, LP NYLOCK, 3/8-16.....	6
19	78086GT	BALL STUD, GAS STRUT, 3/8-16.....	2
20	39542GT	GAS SHOCK,SCISSORS***.....	1
21	28487GT	SCREW,BHHS,3/8-16 X 1.....	2
22	29868GT	SPRING CLIP,3/8-16,.05-.20X.73,ZAG...2	
23	73575GT	SPRING CLIP,10-24,.025-.125X.468,ZAG.....	2
24	73587GT	SCREW,PHIL,10-24 X .75.....	2
25	87075GT	WASHER,NYLON .50 X 1.25 X .063.....	4
26	5397GT	WASHER,FLAT,USS,5/16",Y.....	4
27	7-147-41GT	HORN BUTTON KIT***.....	1
--	7-147-44GT	CONTACT BRUSH SET(HORN) <i>for 7-147-41</i>	
28	237662GT	TAPE, NON-SKID, DIE CUT, 3" X 4".....	1
29	214443GT	ASSEMBLY, FOOT SWITCH.....	1

415.1 Standard Cab Components, View 4 (from serial number GTH1012-16292)

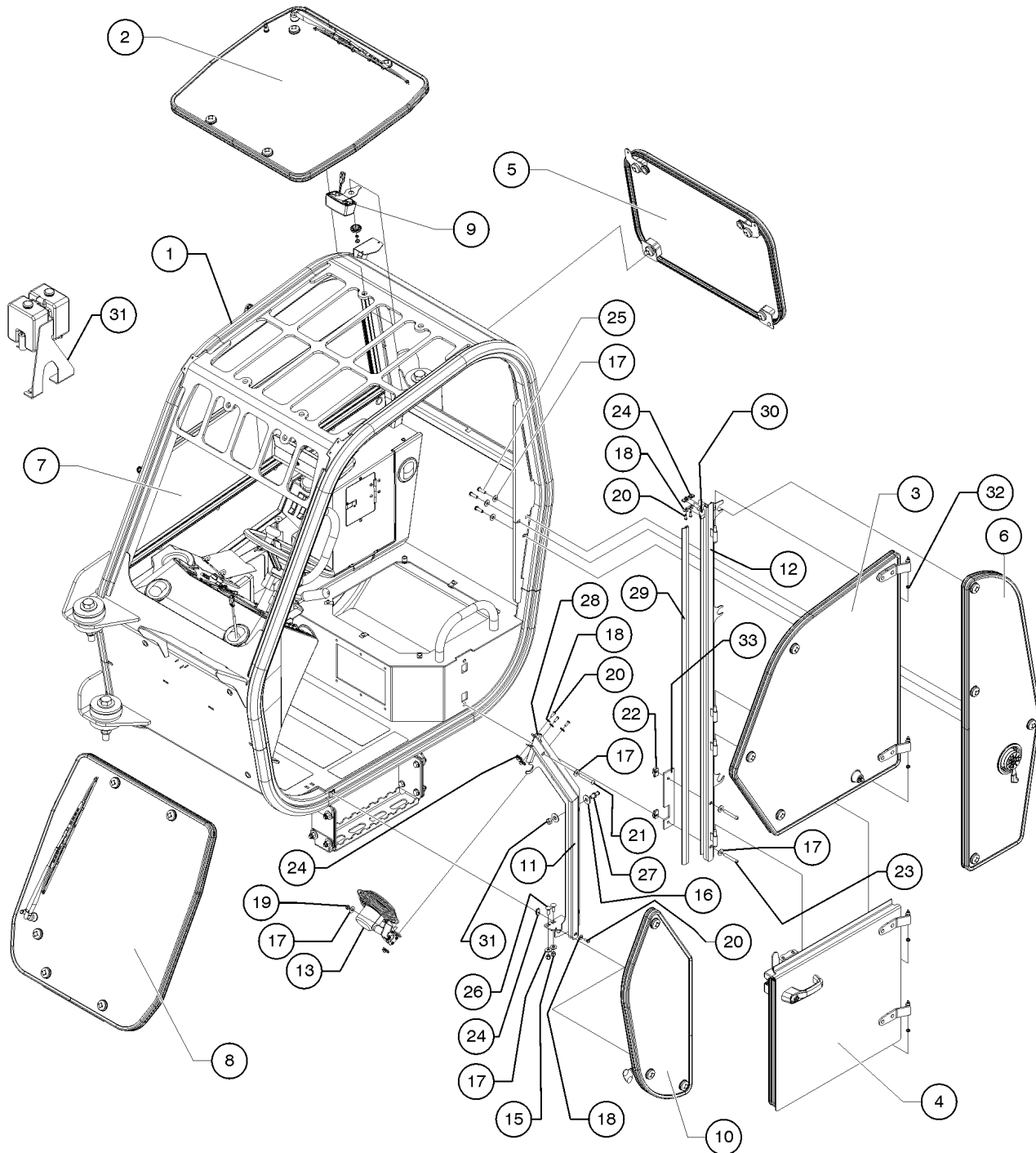




## 415.1 Standard Cab Components, View 4 (from serial number GTH1012-16292)

Item	Part No.	Description	Qty.	Item	Part No.	Description	Qty.
--				29	130561GT	SCREW,BHCS,1/4-20X1.25.....	4
1	214856GT	CONTROLLER,HYD ERGO W/O SW.....	1	30	236280GT	SPACER,NYL .26 X .75 X .375L.....	4
2	117625GT	CONTROLLER,HYD SPHERICAL KNOB.....	1	31	11968GT	SCREW,BHHS,1/4-20 X 1.....	4
3	823106GT	FORMING, DUAL JOYSTICK.....	1	32	88614GT	SCREW,BHHS,1/4-20 X 1.75.....	4
4	227494GT	CONTROLLER,HYD ERGO,2 SWITCHES.....	1	33	229819GT	PCBA, POWER DISTRIBUTION, ASSY.....	1
--	1256912GT	PUSH BUTTON, RED (227494)		--	1255536GT	PCBA, POWER DISTR, ASSY, 1056 (includes components: 229819, 34052, 123688)	
--	1256913GT	PUSH BUTTON, WHITE (227494)		--	34052GT	RELAY,SPDT,12V(AUTO) PLUG IN**	
--	1256914GT	HANDLE ASSY W/O BASE (227494)		34	236345GT	SWITCH,STABILIZER LEFT.....	1
--	138007GT	RUBBER BOOT (117625)		35	236346GT	SWITCH,STABILIZER RIGHT.....	1
--	826223GT	KIT, METERING, A13 (227494)					
--	826224GT	KIT, METERING, A21 (227494)					
--	826227GT	KIT, SEALS (227494) for 227494					
5	230002GT	FORMING,JOYSTICK MOUNT, TOP.....	1				
6	6638GT	WASHER,FLAT,USS,1/4"Y.....	4				
7	6091GT	NUT,NYLOCK,1/4-20.....	4				
8	14297GT	SCREW,BHHS,1/4-20 X .75.....	4				
9	236439GT	WASHER,FLAT,USS,#12,Y.....	4				
10	123138GT	SWITCH, AUXILIARY.....	3				
--	123567GT	PANEL PLUG					
11	229304GT	PAD, ARMREST.....	1				
12	236436GT	ROUNDBAR,ALUMINUM,.375X5.00.....	1				
13	123561GT	LEV-O-GAGE INDICATOR.....	1				
14	4828GT	NUT,NYLOCK,3/8-16.....	1				
15	6097GT	WASHER,FLAT,USS,3/8",Y.....	1				
16	64154GT	BOLT,CARRIAGE,3/8-16 X1.00,G5.....	1				
17	229970GT	FORMING, CAB SIDE MOUNT.....	1				
18	105573GT	HINGE,ACCESS DOOR***.....	1				
19	130909GT	SCREW,BHSCS,1/4-20X5/8,ZP.....	6				
20	6889GT	NUT,LP NYLOCK,1/4-20.....	6				
21	236435GT	FORMING, SIDE CONSOLE MOUNT.....	1				
22	230011GT	PLATE, FUSE DOOR.....	1				
22A	1274944GT	KIT, FUSE PANEL/PCB COVER includes installation instructions					
--	1274946GT	ASSY, FUSE PANEL/PCB COVER					
23	105759GT	LATCH,COMPRESSION,SMALL.....	1				
--	6272GT	RIVET,STL,STL,P,.125 X .25					
24	18504GT	NUT,LOCKING-LG.FLANGE,1/4-20.....	2				
25	9116GT	BOLT,CARRIAGE,1/4-20x1.25,G2.....	2				
26	236947GT	PLATE, GROUND BUSS.....	1				
27	237933GT	HARNESS, PCB GROUND.....	1				
28	162432GT	FORMING, PCB MOUNT.....	1				

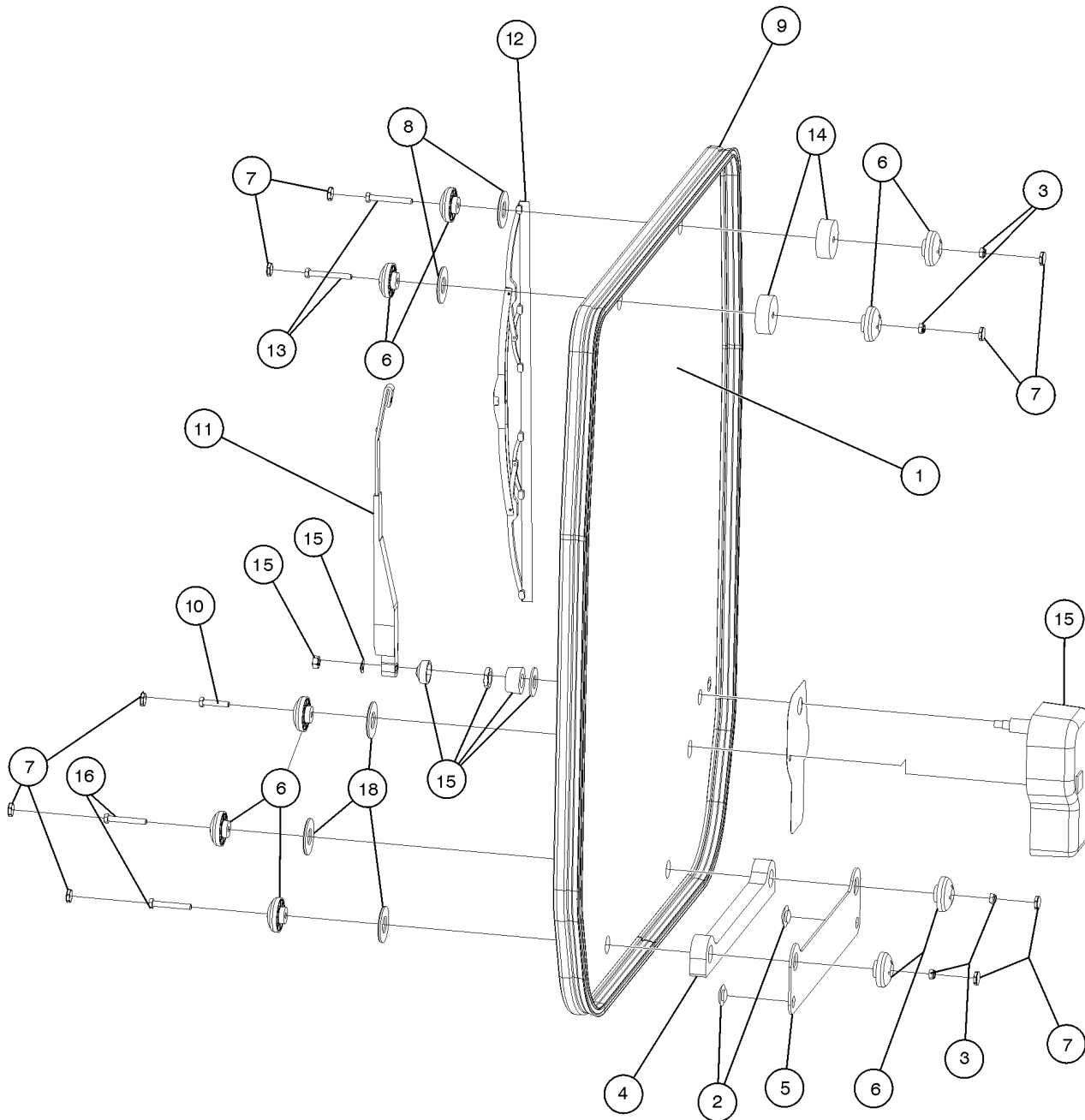
416.1 Enclosed Cab Assembly Option, View 1 (from serial number GTH1012-16292)



## 416.1 Enclosed Cab Assembly Option, View 1 (from serial number GTH1012-16292)

Item	Part No.	Description	Qty.
2	230008GT	ASSEMBLY, SKYLIGHT GTH.....1 <i>REFERENCE 418.1</i>	1
3	231118GT	ASSY,UPPER DOOR,ENCL.CAB.....1 <i>REFERENCE 422.1</i>	1
4	236667GT	ASSY,LOWER DOOR,ENCL.CAB.....1 <i>REFERENCE 424.1</i>	1
5	130164GT	ASSEMBLY, REAR WINDOW.....1 <i>REFERENCE 420.1</i>	1
6	236782GT	ASSEMBLY, RR WINDOW.....1 <i>REFERENCE 423.1</i>	1
7	231330GT	ASSEMBLY, RH WINDOW, GTH.....1 <i>REFERENCE 419.1</i>	1
8	230043GT	ASSEMBLY,WINDSHIELD,GTH.....1 <i>REFERENCE 417.1</i>	1
9	230030GT	ASSEMBLY, DOME LIGHT.....1	1
10	130243GT	ASSY,LEFT,FRONT,WINDOW.....1 <i>REFERENCE 421.1</i>	1
11	230039GT	WELDMENT, SLAM POST.....1	1
12	1253978GT	WELDMENT,DOOR POST (TRF BLACK).....1	1
--	130326GT	HINGE, WELD-ON, MALE.....2	2
13	130536GT	FAN,DEFROSTER,GENIE CAB.....1	1
15	4828GT	NUT,NYLOCK,3/8-16.....2	2
16	6095GT	WASHER,FLAT,USS,1/2",Y.....2	2
17	6097GT	WASHER,FLAT,USS,3/8",Y.....9	9
18	6638GT	WASHER,FLAT,USS,1/4"Y.....5	5
19	7713GT	NUT, LP NYLOCK, 3/8-16.....1	1
20	14297GT	SCREW,BHHS,1/4-20 X .75.....5	5
21	29868GT	SPRING CLIP,3/8-16,.05-.20X.73,ZAG...2	2
22	56912GT	SPRING CLIP,1/4-20,.025-.15X.54,ZAG.....5	5
23	57072GT	SCREW,BHHS,3/8-16 X 1.25.....3	3
24	73466GT	BOLT,CARRIAGE,3/8-16 X 1.00,G2.....2	2
25	57072GT	SCREW,BHHS,3/8-16 X 1.25.....2	2
26	73466GT	BOLT,CARRIAGE,3/8-16 X 1.00,G2.....2	2
27	130241GT	POST,STRIKER.....1	1
27A	130301GT	NUT,M12-1.00 <i>for 130241</i>	
28	130259GT	SEAL,J HOOK.....4.5	4.5
29	130259GT	SEAL,J HOOK.....60.3	60.3
30	130259GT	SEAL,J HOOK.....3.05	3.05
31	237665GT	ASSEMBLY, WASHER BOTTLE.....1	1
32	130327GT	WASHER,THRUST,4X.6X.1.....4	4
33	2124715GT	PLATE,DOOR PST SPCR CLOSEOUT.....1	1

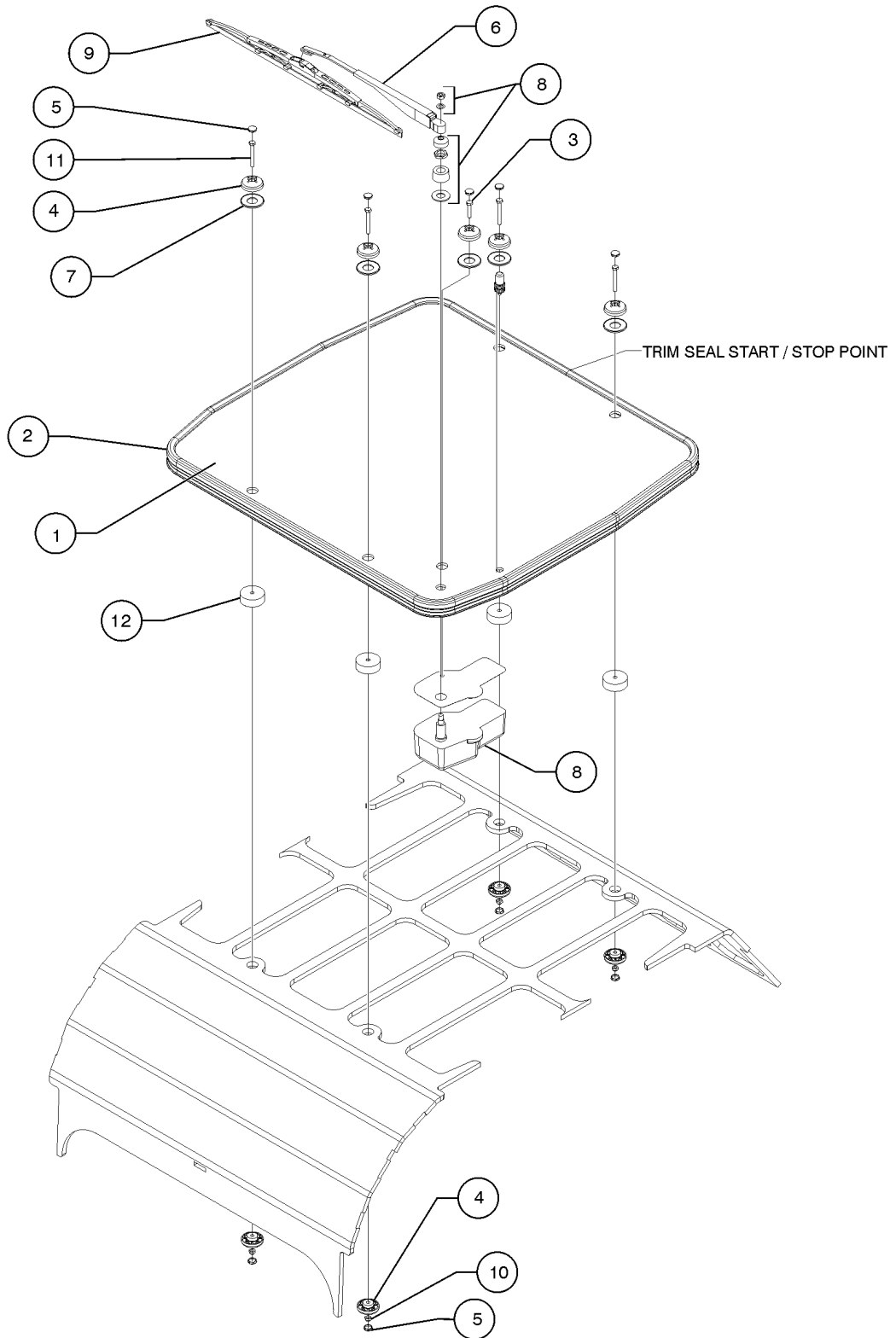
417.1 Enclosed Cab Assembly Option, View 2 (from serial number GTH1012-16292)



## 417.1 Enclosed Cab Assembly Option, View 2 (from serial number GTH1012-16292)

Item	Part No.	Description	Qty.
--	236350GT	SWITCH, WINDSHIELD WIPER/WSHER.....	1
1	230044GT	GLASS,FRONT WINDSHIELD.....	1
2	47478GT	BUMPER, RUBBER, 1"OD X .461H.....	2
3	49364GT	NUT,NYLOCK,M6X1.00.....	4
4	237667GT	HDPE,FRONT WINDOW SPACER.....	1
5	237668GT	PLATE WINDSHIELD RETAINER.....	1
6	130123GT	BUSHING,WINDOW FASTENER.....	9
7	130124GT	CAP,WINDOW BUSHING.....	9
8	130189GT	SPACER,GLASS BUSHING.....	5
9	130163GT	WEATHERSTRIP,DOUBLE BULB.....	118.92
10	25956GT	SCREW,HHC,M6 X 30MM,GRD 8.8.....	1
11	130160GT	WIPER ARM,14".....	1
12	130208GT	WIPER BLADE,20".....	1
13	49403GT	SCREW,HHC,M6 X 50.....	2
14	230009GT	SPACER,WINDOW.....	2
15	130198GT	WIPER MOTOR.....	1
16	236442GT	SCREW, HHC, M6 X 45.....	2

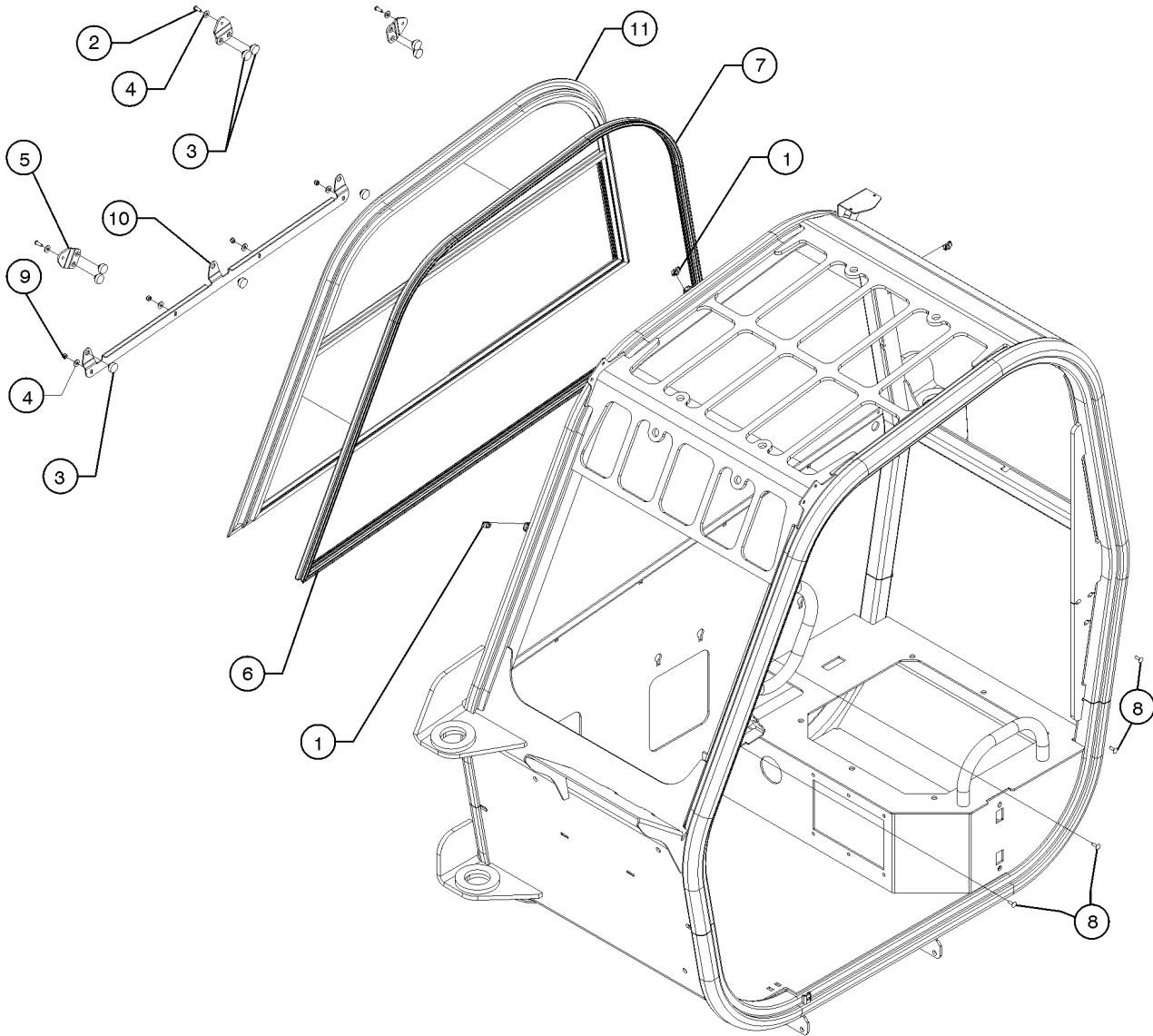
418.1 Enclosed Cab Assembly Option, View 3 (from serial number GTH1012-16292)



## 418.1 Enclosed Cab Assembly Option, View 3 (from serial number GTH1012-16292)

Item	Part No.	Description	Qty.
--	236351GT	SWITCH, SKYLIGHT WIPER/WASHER	
1	230007GT	GLASS,SKYLIGHT,GTH.....1	
2	130163GT	WEATHERSTRIP,DOUBLE BULB.....108.44	
3	25956GT	SCREW,HHC,M6 X 30MM,GRD 8.8.....1	
4	130123GT	BUSHING,WINDOW FASTENER.....9	
5	130124GT	CAP,WINDOW BUSHING.....9	
6	130160GT	WIPER ARM,14".....1	
7	130189GT	SPACER,GLASS BUSHING.....5	
8	130198GT	WIPER MOTOR.....1	
9	130208GT	WIPER BLADE,20".....1	
10	49364GT	NUT,NYLOCK,M6X1.00.....4	
11	49403GT	SCREW,HHC,M6 X 50.....4	
12	230009GT	SPACER,WINDOW.....4	

419.1 Enclosed Cab Assembly Option, View 4 (from serial number GTH1012-16292)

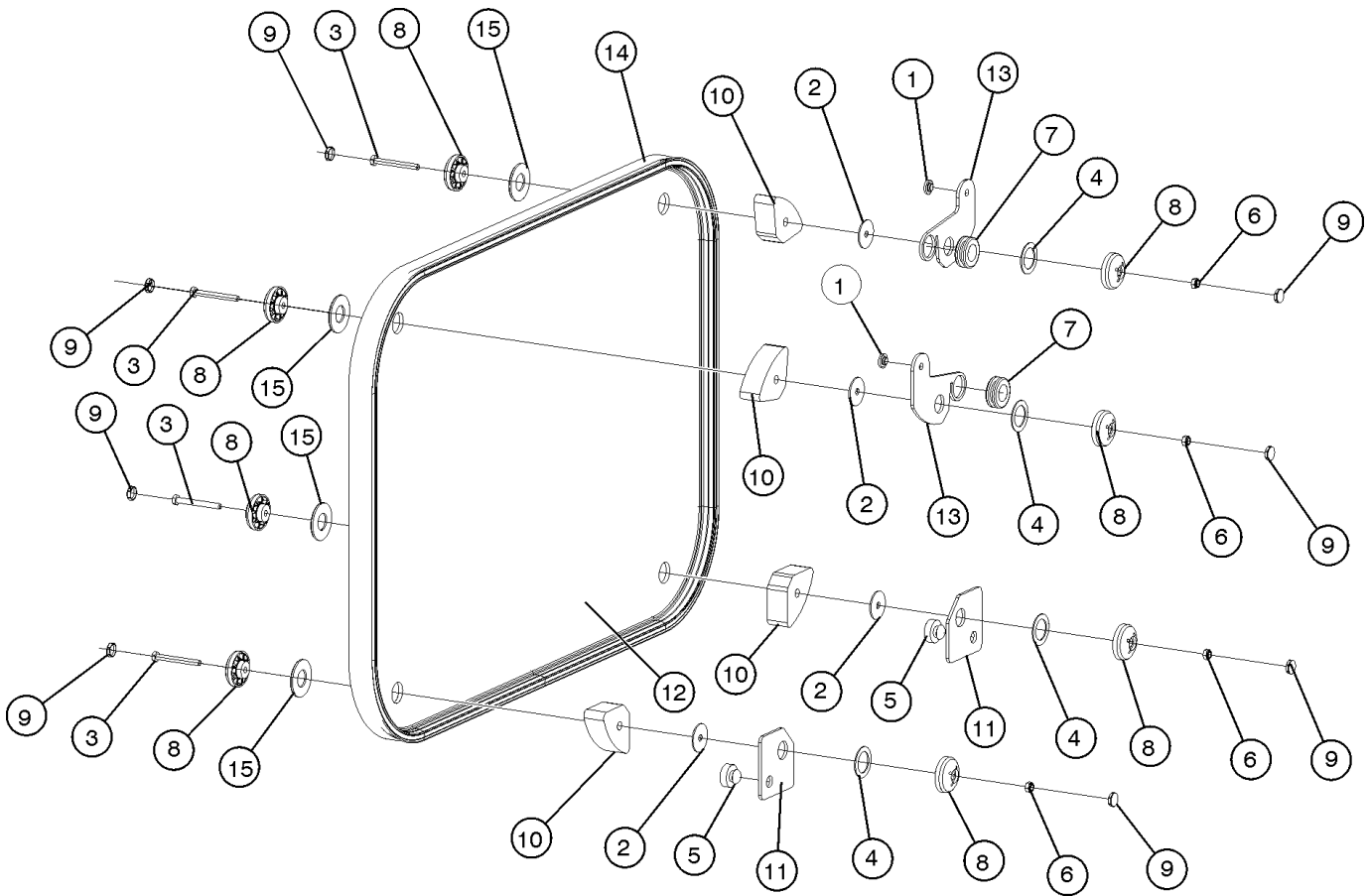




## 419.1 Enclosed Cab Assembly Option, View 4 (from serial number GTH1012-16292)

Item	Part No.	Description	Qty.
1	56912GT	SPRING CLIP,1/4-20,.025-.15X.54,ZAG.....	3
2	14297GT	SCREW,BHHS,1/4-20 X .75.....	3
3	43392GT	BUMPER,BATTERY BOX & RAILS.....	9
4	6638GT	WASHER,FLAT,USS,1/4"Y.....	7
5	230026GT	FORMING, GLASS RETAINER.....	3
6	130163GT	WEATHERSTRIP,DOUBLE BULB....	57.63
7	130163GT	WEATHERSTRIP,DOUBLE BULB....	95.56
8	6878GT	BOLT,CARRIAGE,1/4-20 X .75,G2.....	4
9	6097GT	WASHER,FLAT,USS,3/8",Y.....	4
10	230027GT	FORMING,GLASS RETAINER.....	1
11	230045GT	WINDOW, RH SLIDING GTH.....	1
--		HANDLE, D15, HIGH (218490) <i>(component no longer available)</i>	
--	218489GT	KNOB, LOCKING	

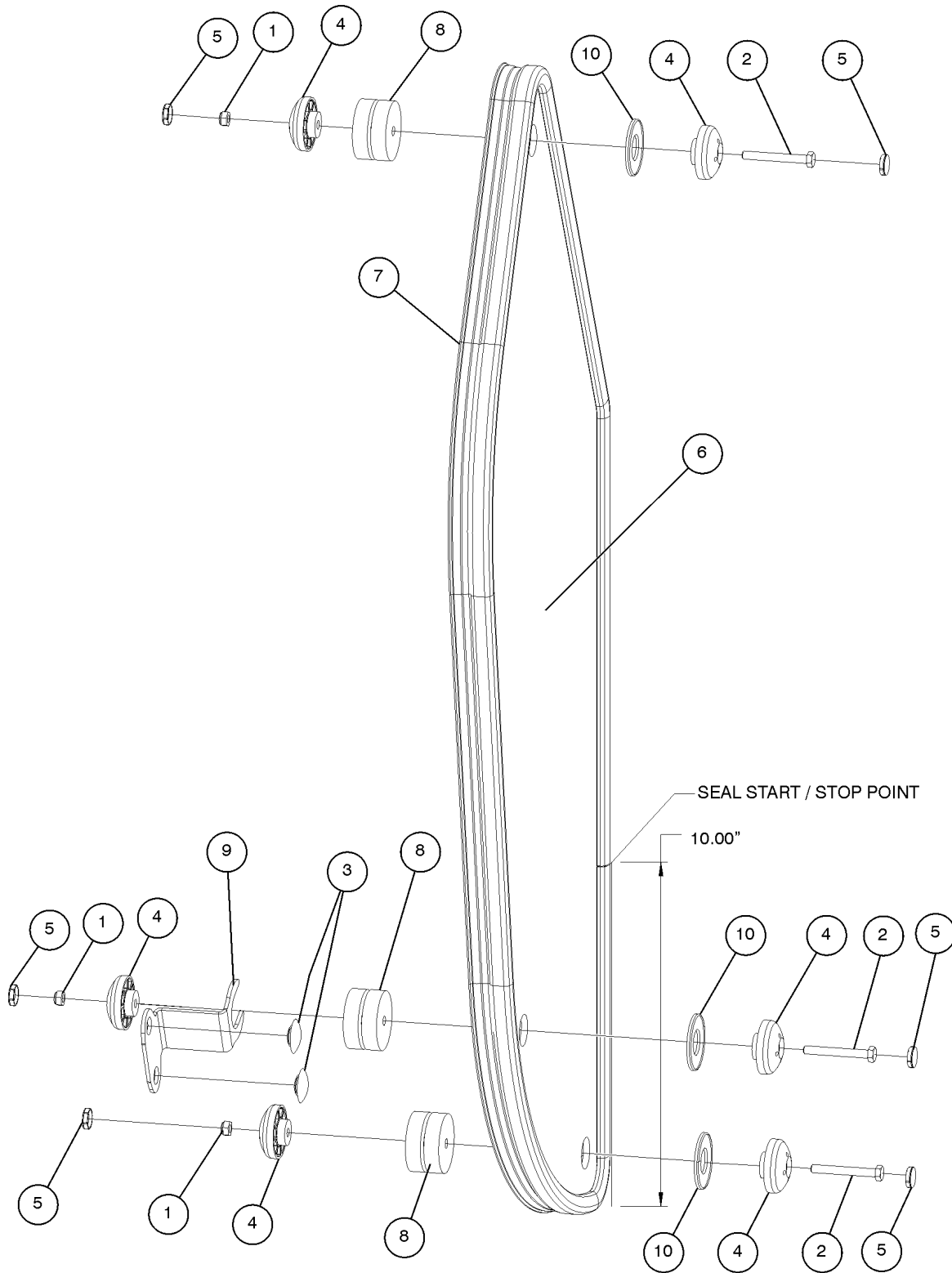
420.1 Enclosed Cab Assembly Option, View 5 (from serial number GTH1012-16292)



## 420.1 Enclosed Cab Assembly Option, View 5 (from serial number GTH1012-16292)

Item	Part No.	Description	Qty.
1	11890GT	GLIDE BUTTON,SIDE,GLL,,100 TK.....	2
2	12906GT	WASHER,FENDER,.25 X 1.25 X.062....	4
3	25930GT	SCREW,HHC,M6 X 55MM,GRD 8.8.....	4
4	38709GT	WASHER,SHIM,,.938 X 1.37 X .048.....	4
5	43392GT	BUMPER,BATTERY BOX & RAILS.....	2
6	49364GT	NUT,NYLOCK,M6X1.00.....	4
7	60584GT	GROMMET,RUBBER .75 X .19 X 1**.....	2
8	130123GT	BUSHING,WINDOW FASTENER.....	8
9	130124GT	CAP,WINDOW BUSHING.....	8
10	130126GT	SPACER,CAB WINDOW.....	4
11	130127GT	PLATE,WINDOW RETAINER.....	2
12	130161GT	GLASS,REAR WINDOW.....	1
13	130162GT	PLATE,WINDOW LEVER.....	2
14	130163GT	WEATHERSTRIP,DOUBLE BULB.....	95-inches
15	130189GT	SPACER,GLASS BUSHING.....	4

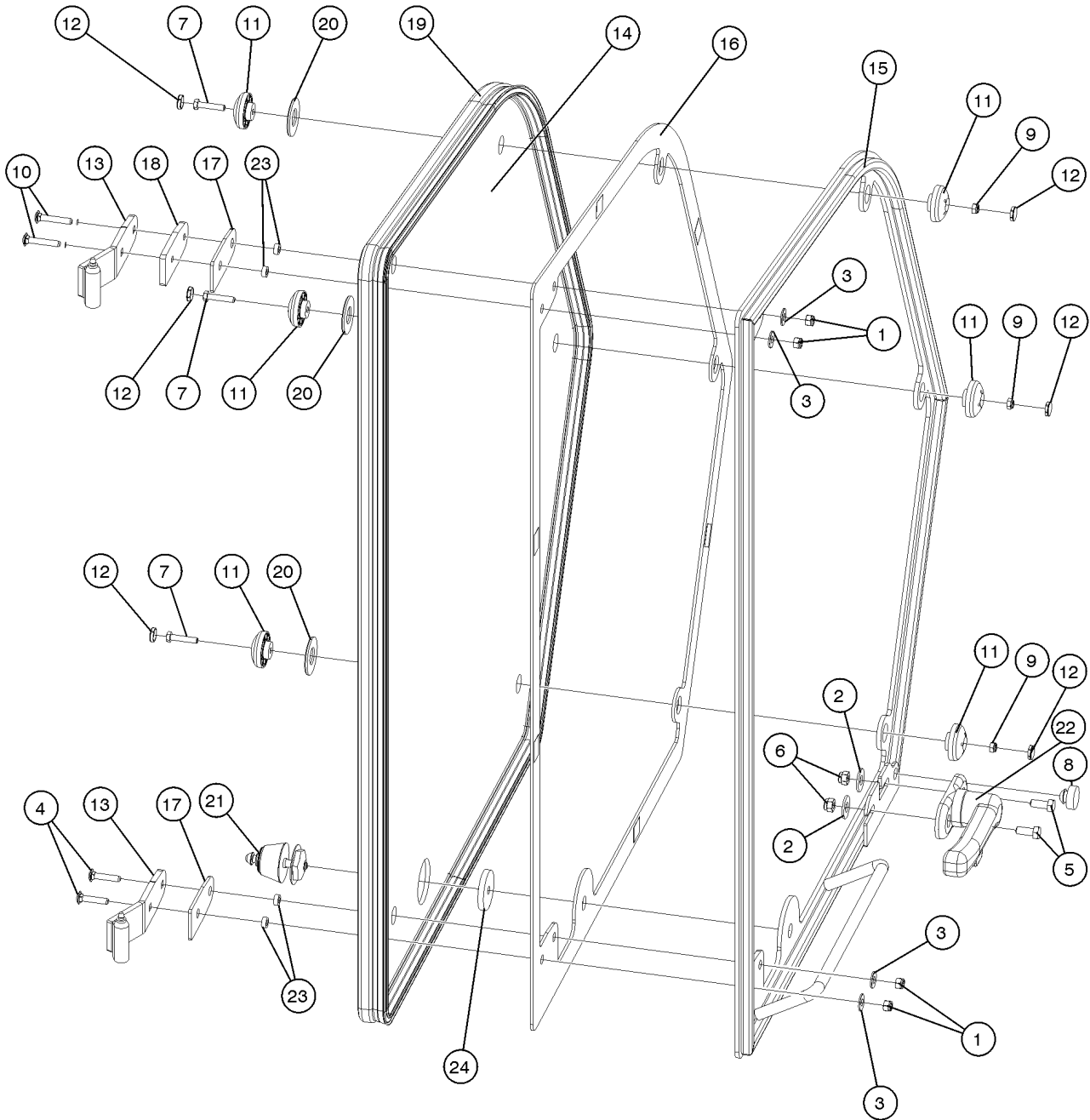
421.1 Enclosed Cab Assembly Option, View 6 (from serial number GTH1012-16292)



## 421.1 Enclosed Cab Assembly Option, View 6 (from serial number GTH1012-16292)

Item	Part No.	Description	Qty.
1	49364GT	NUT,NYLOCK,M6X1.00.....	3
2	49403GT	SCREW,HHC,M6 X 50.....	3
3	47478GT	BUMPER, RUBBER, 1"OD X .461H.....	2
4	130123GT	BUSHING,WINDOW FASTENER.....	6
5	130124GT	CAP,WINDOW BUSHING.....	6
6	130132GT	GLASS,FRONT SIDE WINDOW.....	1
7	130163GT	WEATHERSTRIP,DOUBLE BULB....	79.83
8	130134GT	SPACER,WINDOW.....	3
9	214857GT	FORMING, GLASS RETAINER.....	1
10	130189GT	SPACER,GLASS BUSHING.....	3

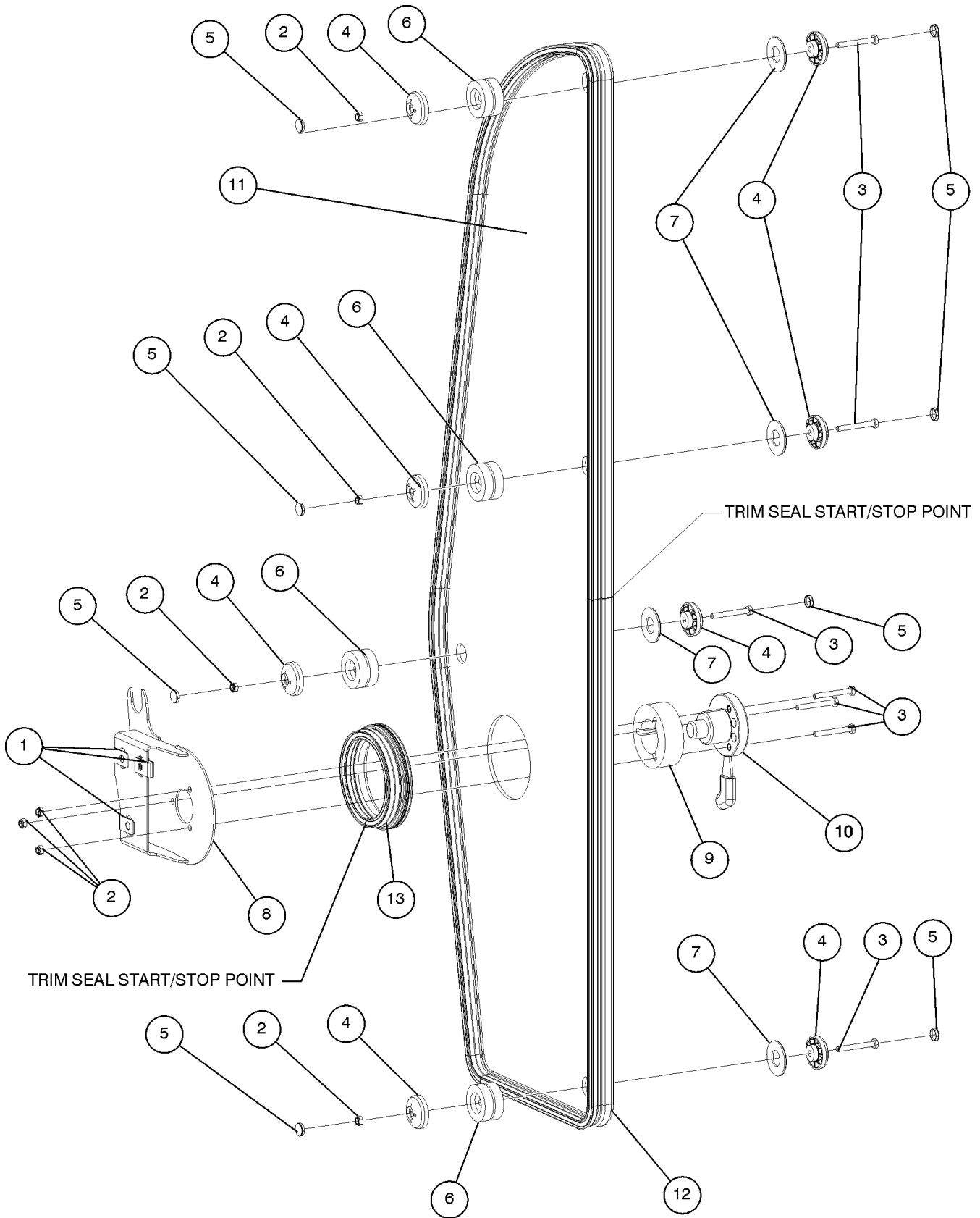
422.1 Enclosed Cab Assembly Option, View 7 (from serial number GTH1012-16292)



## 422.1 Enclosed Cab Assembly Option, View 7 (from serial number GTH1012-16292)

Item	Part No.	Description	Qty.
1	6091GT	NUT,NYLOCK,1/4-20.....	4
2	6097GT	WASHER,FLAT,USS,3/8",Y.....	2
3	6638GT	WASHER,FLAT,USS,1/4"Y.....	4
4	215378GT	BOLT,CARRIAGE,1/4-20 X1.25,GR5.....	2
5	23057GT	SCREW,HHC,M8 X 20MM.....	2
6	25368GT	NUT,NYLOCK,M8X1.25.....	2
7	25956GT	SCREW,HHC,M6 X 30MM,GRD 8.8.....	3
8	43392GT	BUMPER,BATTERY BOX & RAILS.....	1
9	49364GT	NUT,NYLOCK,M6X1.00.....	3
10	215379GT	BOLT,CARRIAGE,1/4-20 X1.50 GR5.....	2
11	130123GT	BUSHING,WINDOW FASTENER.....	6
12	130124GT	CAP,WINDOW BUSHING.....	6
13	130128GT	HINGE WELDMENT,FEMALE.....	2
14	231119GT	WINDOW, DOOR.....	1
15	231120GT	WELDMENT, WINDOW DOOR.....	1
16	231123GT	GASKET, DOOR WINDOW.....	1
17	130258GT	GASKET,HINGE.....	2
18	130147GT	SPACER,HINGE.....	1
19	130163GT	WEATHERSTRIP,DOUBLE BULB.....	125.91
20	130189GT	SPACER,GLASS BUSHING.....	3
21	130254GT	POST,HOLDBACK LATCH.....	1
22	640696GT	INTERNAL GLASS HANDLE.....	1
23	30490GT	HOSE,1/4 FUEL LINE,SAE 30R7...0.80-in (cut into 0.20 in pieces as a spacer)	
24	237067GT	SPACER, ANCHOR.....	1

423.1 Enclosed Cab Assembly Option, View 8 (from serial number GTH1012-16292)

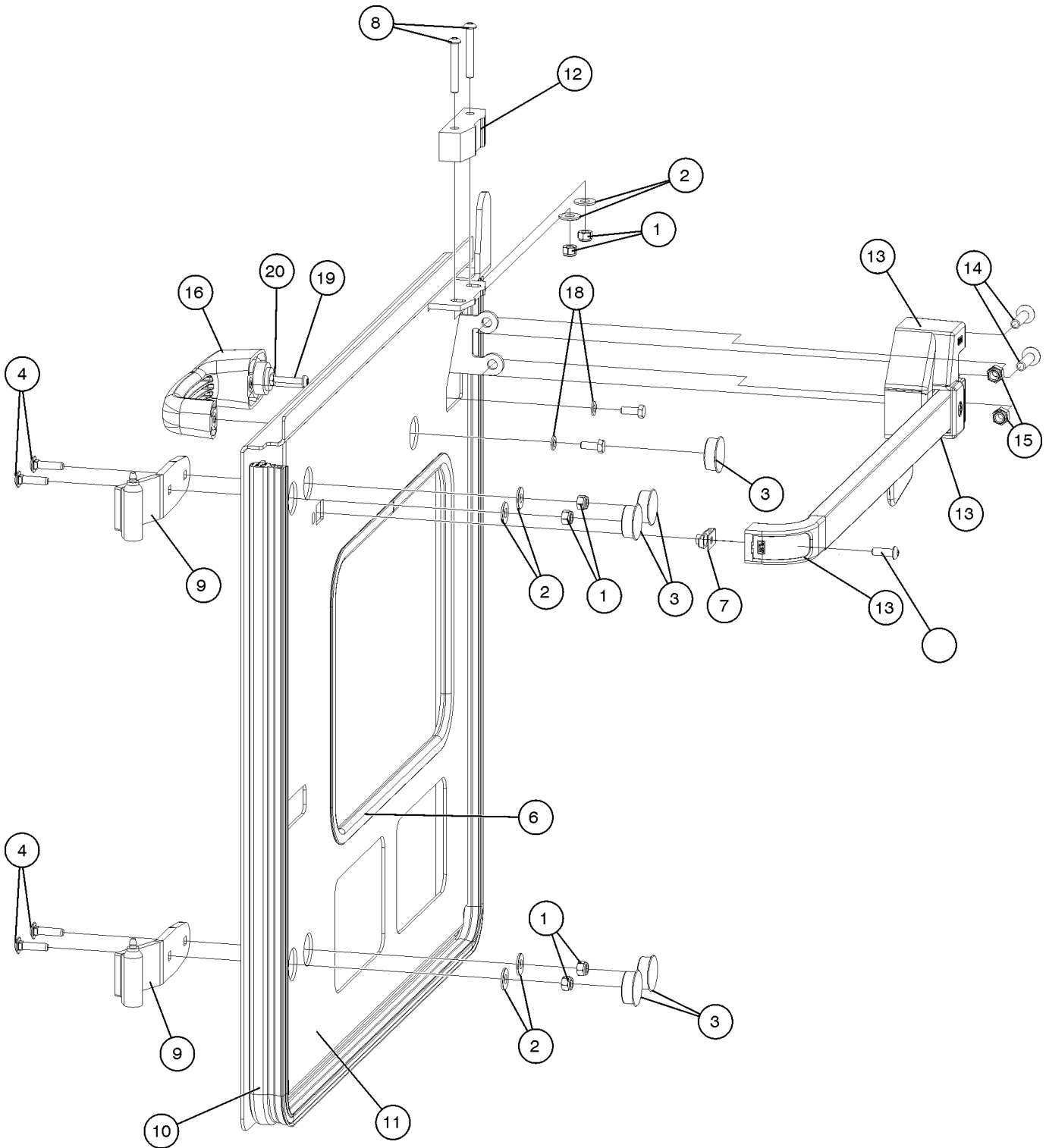




## 423.1 Enclosed Cab Assembly Option, View 8 (from serial number GTH1012-16292)

Item	Part No.	Description	Qty.
1	29868GT	SPRING CLIP,3/8-16,.05-.20X.73,ZAG....3	
2	49364GT	NUT,NYLOCK,M6X1.00.....7	
3	49403GT	SCREW,HHC,M6 X 50.....7	
4	130123GT	BUSHING,WINDOW FASTENER.....8	
5	130124GT	CAP,WINDOW BUSHING.....8	
6	130134GT	SPACER,WINDOW.....4	
7	130189GT	SPACER,GLASS BUSHING.....4	
8	130212GT	WELDMENT,HOLDBACK MOUNTING....1	
9	130215GT	SPACER,HOLDBACK MOUNT.....1	
10	130220GT	HOLDBACK LATCH.....1	
11	236783GT	GLASS, SIDE, LR.....1	
12	130163GT	WEATHERSTRIP,DOUBLE BULB....121.5	
13	130163GT	WEATHERSTRIP,DOUBLE BULB....12.5	

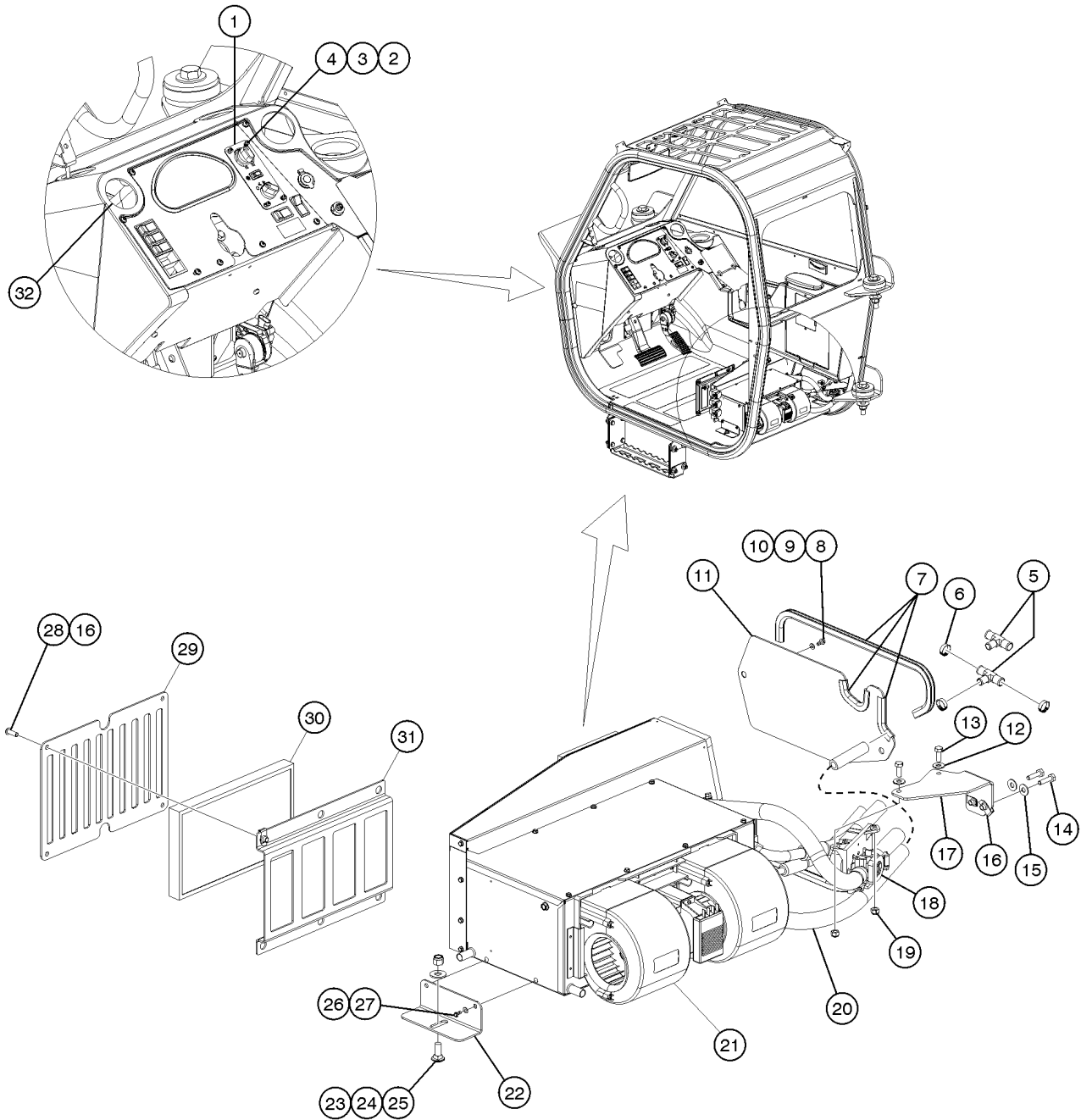
424.1 Enclosed Cab Assembly Option, View 9 (from serial number GTH1012-16292)



## 424.1 Enclosed Cab Assembly Option, View 9 (from serial number GTH1012-16292)

Item	Part No.	Description	Qty.
1	6091GT	NUT,NYLOCK,1/4-20.....	6
2	6638GT	WASHER,FLAT,USS,1/4"Y.....	6
3	7-144-09GT	HOLE PLUG,1 1/8 DIA.....	5
4	124576GT	BOLT,CARRIAGE,1/4-20X1.00 G5.....	4
5	14297GT	SCREW,BHHS,1/4-20 X .75.....	1
6	46718GT	TRIMLOCK,BLACK,3/16.....	46.8
7	56912GT	SPRING CLIP,1/4-20,.025-.15X.54,ZAG.....	1
8	88614GT	SCREW,BHHS,1/4-20 X 1.75.....	2
9	130128GT	HINGE WELDMENT,FEMALE.....	2
10	130163GT	WEATHERSTRIP,DOUBLE BULB.....	73.2
11	236668GT	WELDMENT, CAB DOOR.....	1
12	130223GT	MOUNT,LATCH.....	1
13	214437GT	LATCH, INNER BAR.....	1
14	236784GT	SCREW,FHS,M8 X 1.25 X 35.....	2
15	25368GT	NUT,NYLOCK,M8X1.25.....	2
16	215482GT	LATCH, HANDLE, OUTER.....	1
--	58322GT	KEY,SET 2 KEYS <i>Replacement key, also fits ignition switch</i>	
17	49375GT	SCREW,HHC,M6 X 16.....	2
18	25926GT	WASHER,FLAT,M6 PLTD.....	2
19	215772GT	GASKET, OUTER HANDLE, SM.....	1
20	215771GT	GASKET, OUTER HANDLE, LG.....	1

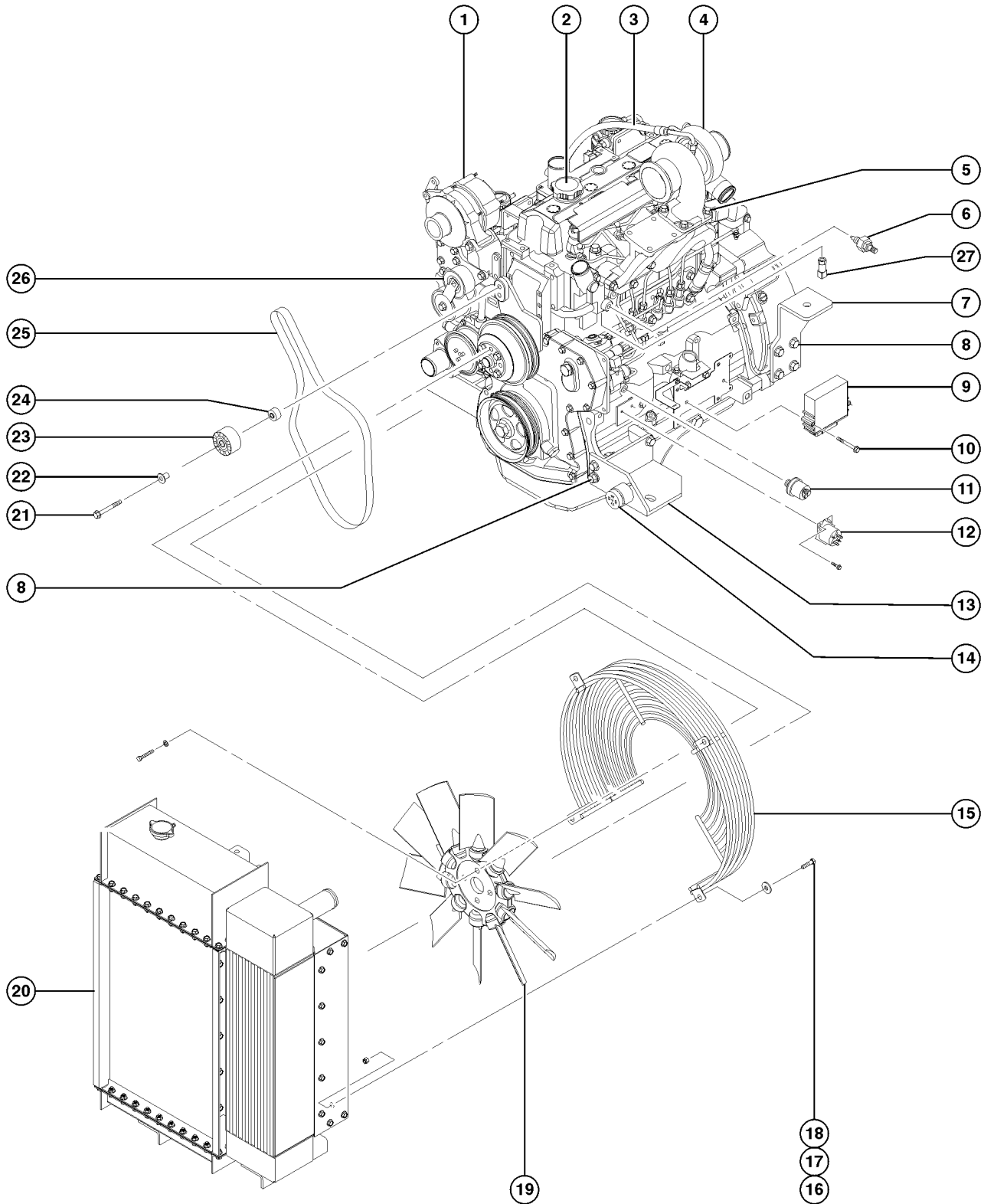
425.1 Enclosed Cab Assembly Option, View 10 (from serial number GTH1012-16292)



## 425.1 Enclosed Cab Assembly Option, View 10 (from serial number GTH1012-16292)

Item	Part No.	Description	Qty.
1	214580GT	HEAT-AC CONTROL 56-0048.....	1
--	34052GT	RELAY,SPDT,12V(AUTO) PLUG IN**.....	1
--	36206GT	FUSE,25 AMP,ATC.....	1
2	110359GT	SCREW,PHM, 10-24 X .50.....	2
3	6146GT	WASHER,FLAT,MS,#10,Y.....	2
4	5365GT	NUT,NYLOCK,10-24.....	2
5	7-297-02GT	CONNECTOR,HOSE,Y.....	120
6	46131GT	CLAMP,HOSE,.63" - 1.0" X .5".....	10
7	46718GT	TRIMLOCK,BLACK,3/16.....	33.5
8	6175GT	SCREW,HHC,3/8-16 X 1.....	2
9	6097GT	WASHER,FLAT,USS,3/8",Y.....	2
10	29868GT	SPRING CLIP,3/8-16,.05-.20X.73,ZAG....	2
11	214853GT	COVER,PANEL, CAB AC.....	1
12	6090GT	SCREW,HHC,1/4-20 X .75.....	2
13	6638GT	WASHER,FLAT,USS,1/4"Y.....	2
14	6888GT	SCREW,HHC,1/4-20 X 1.....	2
15	6638GT	WASHER,FLAT,USS,1/4"Y.....	2
16	56912GT	SPRING CLIP,1/4-20,.025-.15X.54,ZAG.....	2
17	233510GT	FORMING, VALVE MOUNT.....	1
18	214588GT	VALVE, HEATER.....	1
19	6091GT	NUT,NYLOCK,1/4-20.....	2
20	1702GT	HOSE-HEATER,5/8 ID-BLACK.....	122
21	214585GT	HEATER, GTH.....	1
--	214586GT	HEATER-AC,GTH.....	1
22	214587GT	FORMING, HEATER MOUNT.....	2
23	64154GT	BOLT,CARRIAGE,3/8-16 X1.00,G5.....	2
24	6097GT	WASHER,FLAT,USS,3/8",Y.....	2
25	4828GT	NUT,NYLOCK,3/8-16.....	2
26	115285GT	TAPPING SCREW M6 X 10 (117649)....	2
27	6356GT	WASHER,LOCK,.25.....	2
28	14297GT	SCREW,BHHS,1/4-20 X .75.....	2
29	214582GT	COVER, CAB AIR INTAKE.....	1
30	214584GT	FILTER, CAB AIR INTAKE.....	1
31	214583GT	FORMING, FILTER BRACKET.....	1
32	229303GT	VENT,3" DEFROSTER.....	3

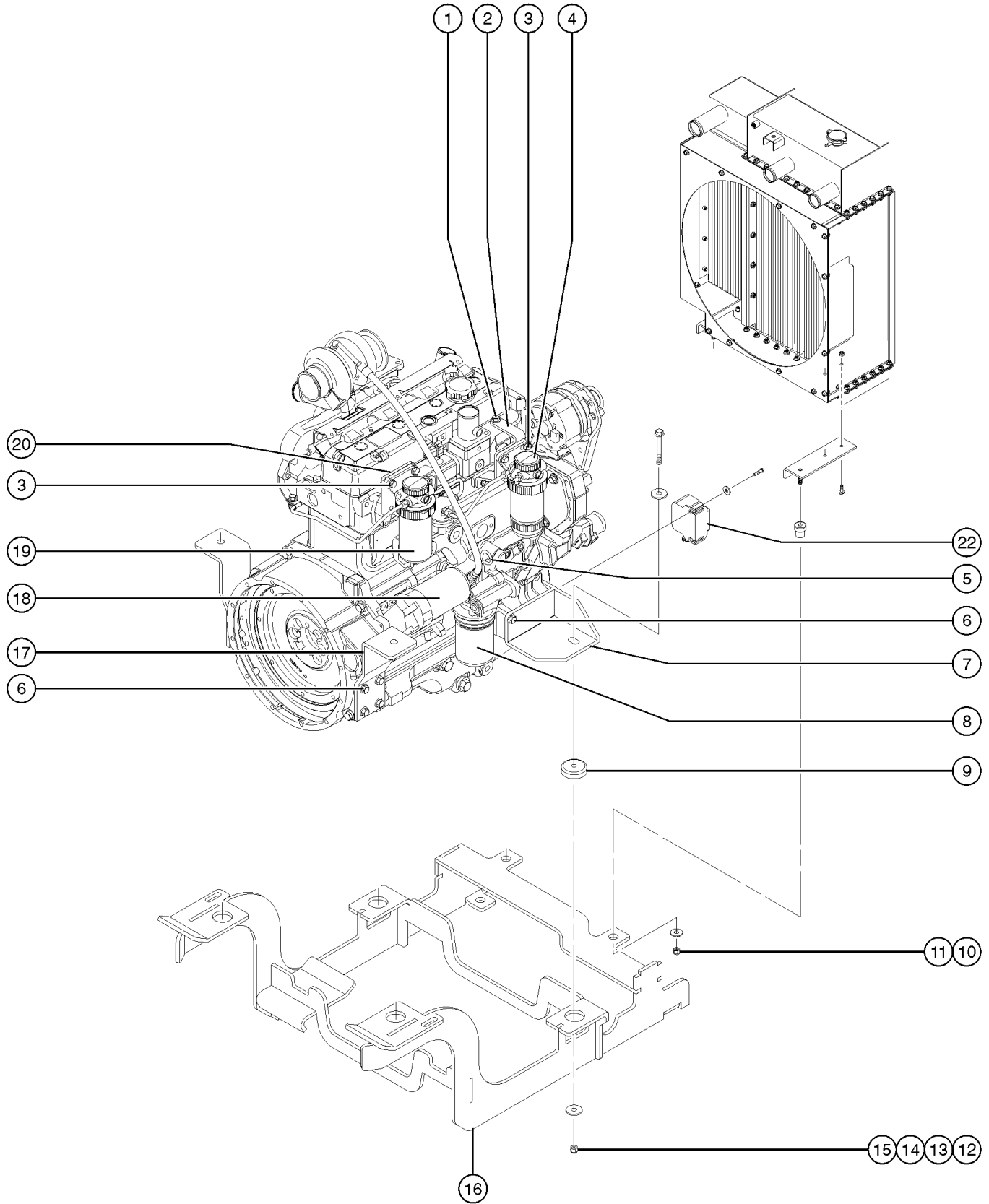
501.1 John Deere-4045, T3 Engine, View 1



## 501.1 John Deere-4045, T3 Engine, View 1

Item	Part No.	Description	Qty.
--	7-236-09GT	OIL COOLER	
1	115304GT	ALTERNATOR,JD-4045.....1	1
2	115305GT	CAP,OIL FILLER,JD-4045.....1	1
3	115309GT	OIL LINE,TURBO CHARGER,JD-4045...1	1
4	115306GT	TURBO CHARGER,JD-4045.....1	1
--	115307GT	GASKET,TURBO CHARGER,JD-4045	
--	115308GT	GASKET,TURBO CHARGER,SM,JD4045	
5	115310GT	SCREW,JD-4045	
6	227767GT	COOLANT TEMP SENDING UNIT.....1	1
7	115312GT	ENG MOUNT,REAR LT SIDE,JD-4045...1	1
8	49381GT	SCREW,HHC,M12 X 30.....7	7
9	130735GT	CONTROLLER,ENG,GTH10XX,125HP..1	1
--	123599GT	HARNES,ENGINE BH TO CAB	
--	138000GT	HARNES,ECU TO ENGINE,JD <i>harness also connects to harness 123599</i>	
--	217519GT	RESISTOR,DEUTSCH,120 OHM	
10	115314GT	SCREW,JD-4045	
11	123515GT	SWITCH,PRESS,NC,150PSI,1/8NPT.....1	1
12	7-319-21GT	STARTER RELAY.....1	1
13	822643GT	ASSY,ENG MNT,LH FR,JD4045 T3.....1	1
14	217469GT	ALARM, BACKUP WARNING.....1	1
15	7-183-53GT	GUARD / FAN.....1	1
16	13000GT	SCREW,HHC,5/16-18 X 1.25	
17	5397GT	WASHER,FLAT,USS,5/16",Y	
18	6782GT	NUT,NYLOCK,5/16-18	
19	115318GT	FAN,JD-4045.....1	1
20	229054GT	RADIATOR,DEERE,W/AC MTG.....1	1
--	115300GT	HOSE, RADIATOR	
--	1279184GT	HOSE,RADIATOR,LOWER,GTH10K <i>1.75" ID for John Deere engines</i>	
--	130173GT	RADIATOR CAP	
--	7-183-201GT	THERMOSTAT, JD4045T	
--	7-183-202GT	THERMOSTAT GASKET, JD4045T	
20A	226579GT	FORMING,RH AC COND MTG,JD.....1 <i>(from SN 15241 to 19340)</i>	1
20A	T108404GT	FORMING,JD RAD SUPPL COND BRKT <i>(to SN 15240)</i>	
21	115319GT	BOLT,JD-4045	
22	115320GT	SLEEVE,FAN BELT,JD-4045.....1	1
23	115321GT	PULLEY,FAN BELT,JD-4045.....1	1
24	115322GT	SPACER,FAN BELT,JD-4045.....1	1
25	141420GT	FAN BELT,JD-4045.....1	1
26	115324GT	BELT TENSIONER,JD-4045.....1	1
27	115311GT	WATER TEMP SENDER,JD-4045.....1	1

502.1 John Deere-4045, T3 Engine, View 2

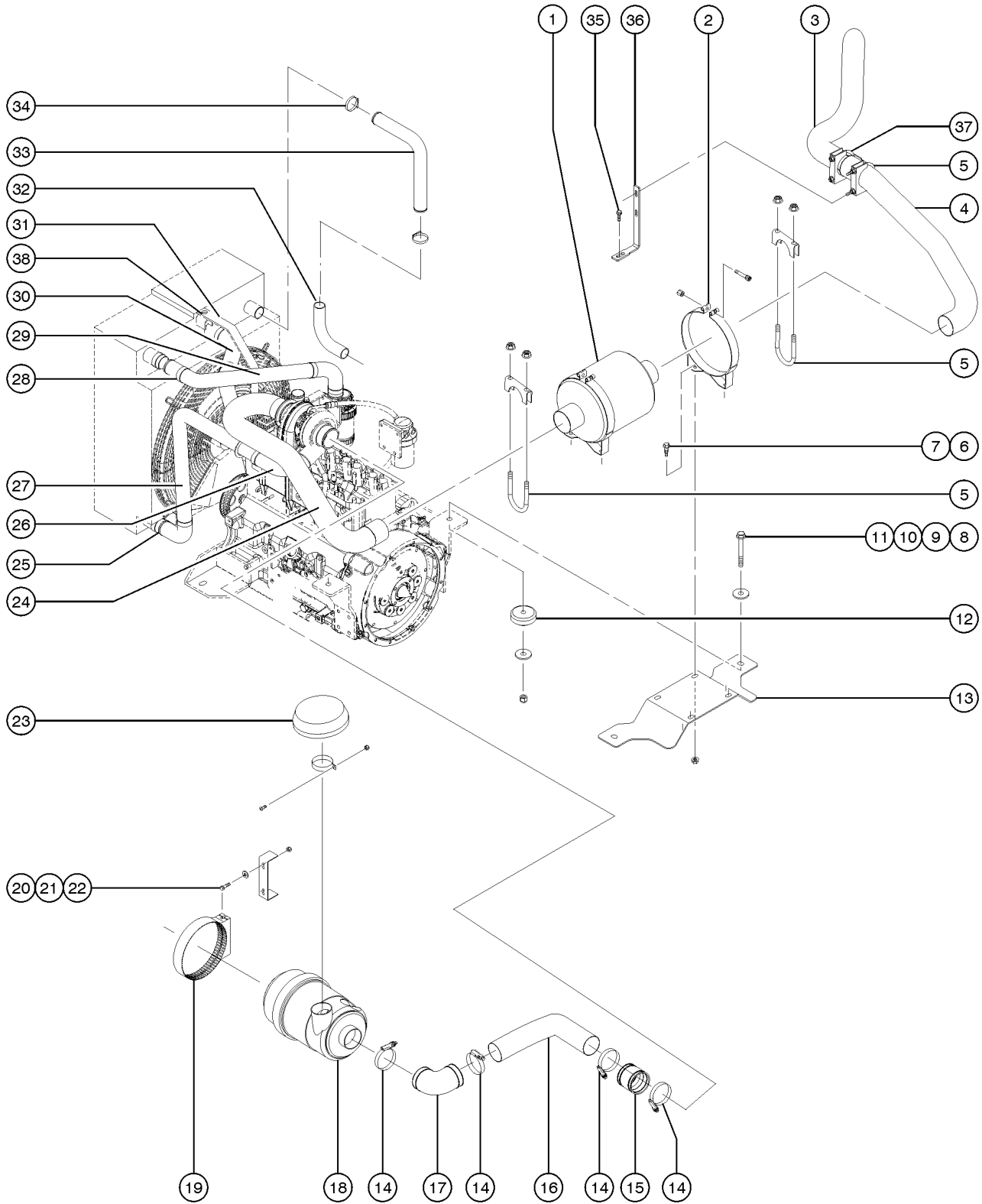




## 502.1 John Deere-4045, T3 Engine, View 2

Item	Part No.	Description	Qty.
--			
--	1281482GT	FUEL FILTER HEAD,JD4045	
1	27034GT	SCREW,HHC,M10 X 25MM,GR 8.8.....1	
2	115326GT	FUEL FILTER BRACKET,JD-4045.....1	
3	115327GT	SCREW,M10X20,JD-4045.....2	
4	115328GT	FUEL FILTER,PRIMARY,JD-4045.....1	
--	115329GT	FILTER ELEMENT,JD-4045(115328)	
--	1281452GT	FUEL FILTER HEAD,JD4045	
5	115325GT	DIPSTICK,JD-4045.....1	
6	49381GT	SCREW,HHC,M12 X 30.....5	
7	822968GT	ASSY,ENG MNT,RH FR,JD4045 T3.....1	
8	7-183-184GT	OIL FILTER/ENGINE.....1	
9	115331GT	ISOLATOR MOUNT,JD-4045.....4	
10	4828GT	NUT,NYLOCK,3/8-16	
11	115332GT	WASHER,JD-4045	
12	138062GT	NUT,NYLOCK,5/8-11, GR. 8	
13	115333GT	WASHER,ENG.REAR,JD-4045	
14	6035GT	WASHER,FLAT,USS,5/8",Y	
15	13004GT	SCREW,HHC,5/8-11 X 3 GRD.8.....4	
16	115334GT	ENGINE WELDMENT SKID,JD-4045.....1	
17	115335GT	ENG.MOUNT,REAR RT SIDE,JD-4045...1	
18	115336GT	STARTER MOTOR,JD-4045.....1	
--	115337GT	SOLENOID,STARTER,JD4045(115336	
19	1281482GT	FUEL FILTER HEAD,JD4045.....1	
--	130493GT	FINAL FILTER,FUEL,JOHN DEERE	
20	115338GT	FILTER MNTG PLATE,JD-4045.....1	
21	7-190-04GT	MOUNT,RUBBER,CENTER,BONDED...3	
22	219457GT	HARNES, BACKUP ALARM.....1	
--	6091GT	NUT,NYLOCK,1/4-20	
--	6-6212-04GT	WASHER,FLAT,.250, HARDENED	
--	6888GT	SCREW,HHC,1/4-20 X 1	

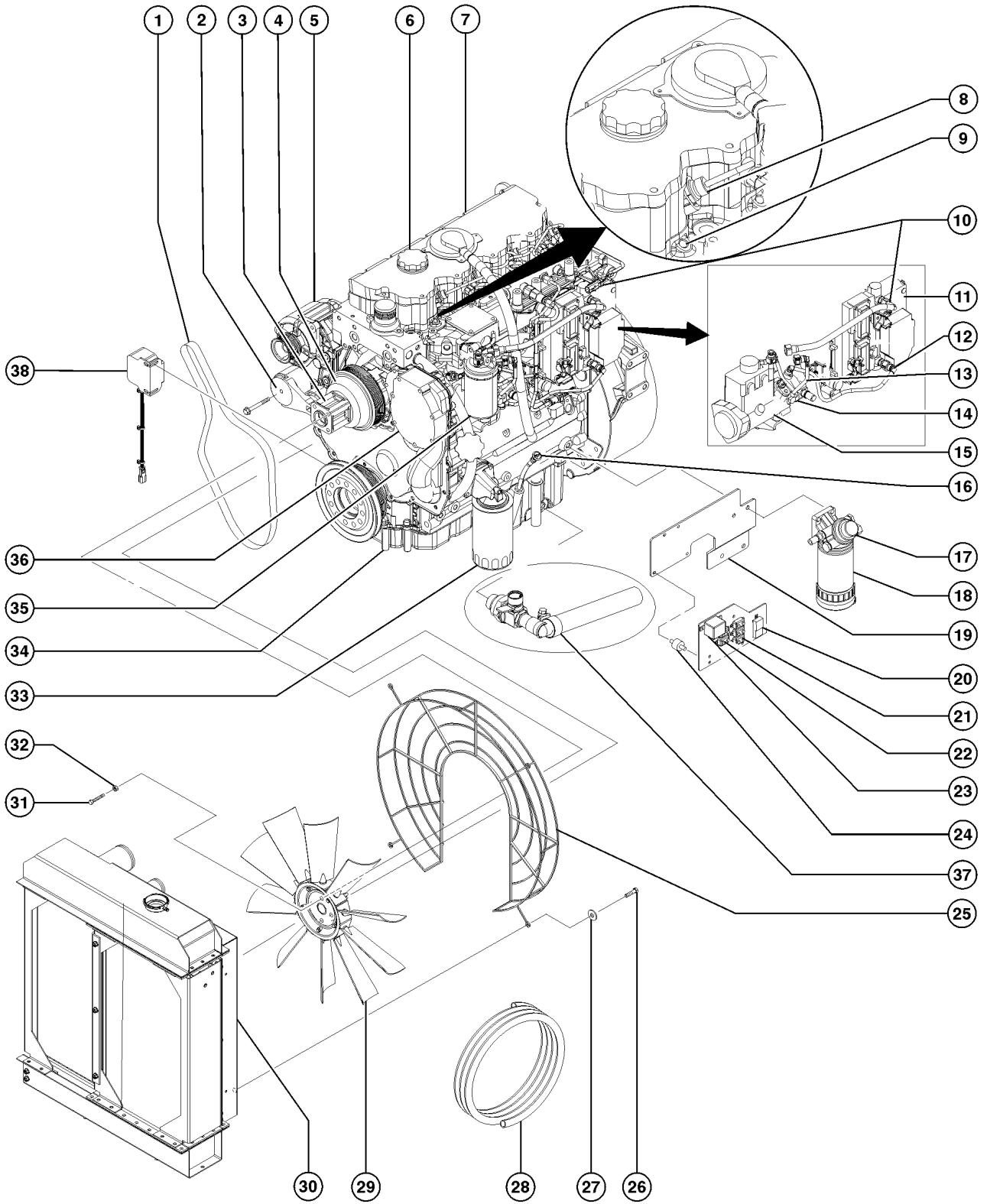
503.1 John Deere-4045, T3 Engine, Air Cleaner Assembly



## 503.1 John Deere-4045, T3 Engine, Air Cleaner Assembly

Item	Part No.	Description	Qty.	Item	Part No.	Description	Qty.
1	115339GT	MUFFLER,JD-4045.....	1	34	115292GT	CLAMP,HOSE,JD-4045.....	1
2	115340GT	MUFFLER MNTG BAND,JD-4045.....	2	35	141325GT	BOLT,12X20MMX1.75X10.9 GR FLNG...	1
3	117877GT	PIPE, TAILPIPE.....	1	36	141303GT	FORMING,EXHAUST BRACKET.....	1
4	123017GT	PIPE,EXHAUST,GTH10XX.....	1	37	141326GT	CLAMP,MUFFLER,3".....	1
5	115291GT	MUFFLER CLAMP,JD-4045.....	2	38	218492GT	ISOLATOR, UPPER RAD, JD4045 T3.....	1
6	6175GT	SCREW,HHC,3/8-16 X 1					
7	48425GT	NUT,FLG-LRG,3/8-16, YZ					
8	13004GT	SCREW,HHC,5/8-11 X 3 GRD.8.....	2				
9	6035GT	WASHER,FLAT,USS,5/8",Y					
10	115333GT	WASHER,ENG.REAR,JD-4045					
11	6024GT	NUT,NYLOCK,5/8-11					
12	115331GT	ISOLATOR MOUNT,JD-4045.....	2				
13	115293GT	BRACKET, MUFFLER.....	1				
14	123161GT	HOSE CLAMP.....	2				
15	108612GT	CONNECTOR,RUBBER,AIR INTAKE.....	1				
16	130059GT	PIPE,AIR INTAKE,JD					
17	7-109-05GT	ELBOW,90 DEG					
18	123806GT	AIR CLEANER, M&H400, MIRROR IN					
--	1281129GT	END CAP, AIR CLEANER 123806 <i>for 123806</i>					
--	7-109-04GT	FILTER ELEMENT / PRIMARY <i>for 123806</i>					
--	7-109-14GT	SAFETY ELEMENT <i>for 123806</i>					
19	7-109-03GT	MOUNTING BAND, SMALL BASE.....	1				
20	13000GT	SCREW,HHC,5/16-18 X 1.25					
21	5397GT	WASHER,FLAT,USS,5/16",Y					
22	6782GT	NUT,NYLOCK,5/16-18					
23	7-109-02GT	RAIN CAP W/CLAMP.....	1				
24	115294GT	Exhaust Pipe, Muffler.....	1				
--	7-183-98GT	CLAMP,TURBO-EXHAUST PIPE <i>(clamp used to couple turbo to exhaust pipe)</i>					
25	115295GT	Clamp, 2 inches					
26	115296GT	ELBOW,SILICONE.....	1				
27	115297GT	Pipe, Lower.....	1				
28	115299GT	Clamp, 2 inches.....	1				
29	115298GT	Pipe, Upper.....	1				
30	115300GT	HOSE, RADIATOR..... <i>(upper radiator hose w/o internal spring)</i>	1				
--	130727GT	HOSE, RADIATOR <i>(upper radiator hose with internal spring)</i>					
31	130726GT	BRACKET,UPPER SUPPORT.....	1				
32	115313GT	WATER TUBE,W/FLANGE,JD-4045.....	1				
33	130379GT	RADIATOR HOSE / LOWER.....	1				

504.1 Perkins 1104D-E44TA, Tier 3 Engine, View 1



## 504.1 Perkins 1104D-E44TA, Tier 3 Engine, View 1

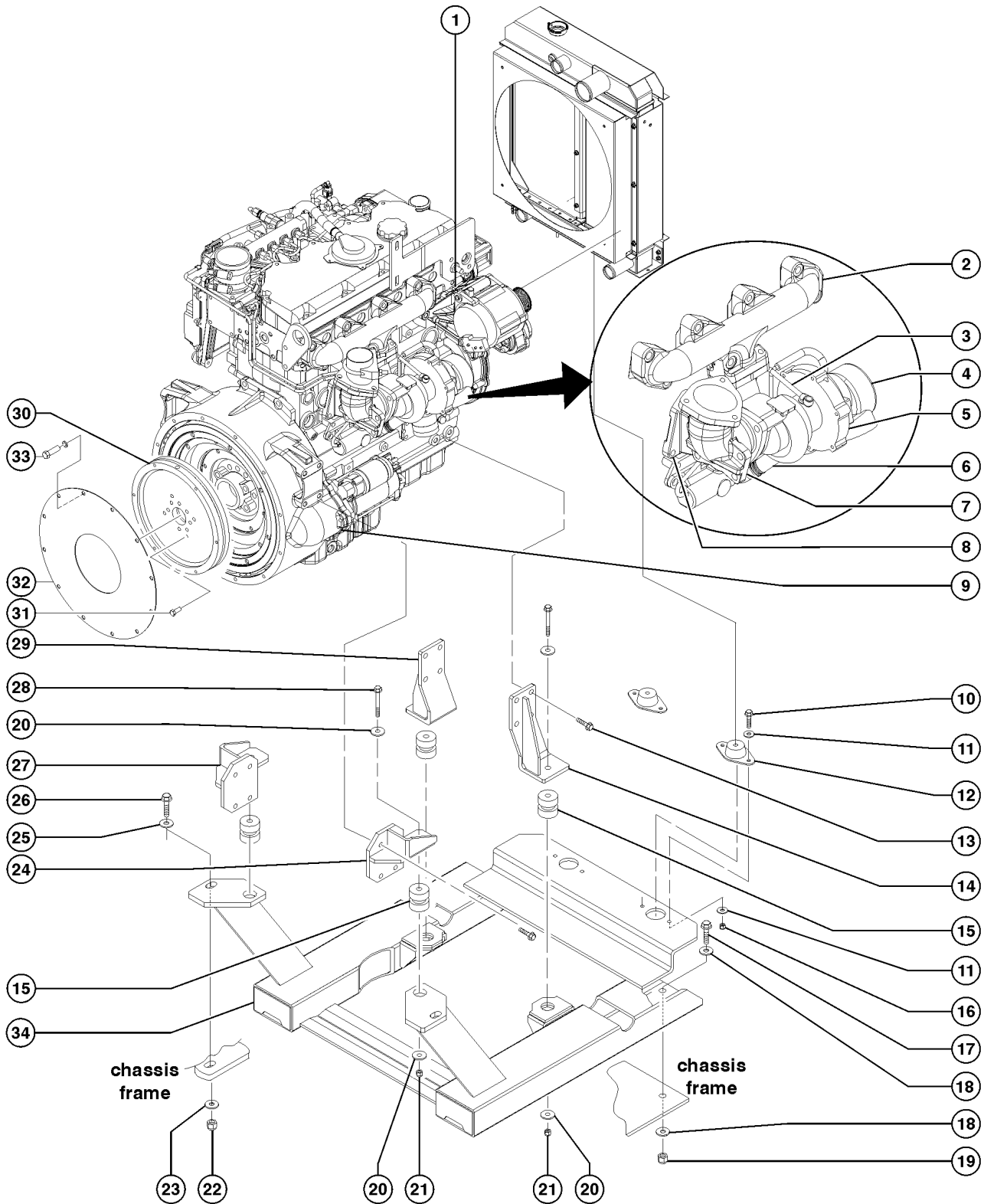
Item	Part No.	Description	Qty.	Item	Part No.	Description	Qty.
--	7-236-09GT	OIL COOLER.....	1	--	123081GT	ASSY / OIL TUBE.....	1
--	1264127GT	SENSOR,CRANKSFT SPD,1104D-E44T		17	134394GT	WATER SEP ASY,PERKINS.....	1
--	217940GT	HARNESS,ENGINE WIRING,PERKINS.....	1	--	214545GT	BOWL,FUEL PREFILTER,PRKNS 1056.....	1
--	226575GT	ENG,ASSY,PER,1104D-E44TA.T3,10		18	214546GT	ELEMENT, FUEL PRE FILTER, PERKINS 1056	
--	T114415GT	HARNESS,ENGINE WIRING,PERKINS		19	227894GT	FILTER BRACKET.....	1
1A	T114405GT	FAN BELT, SERPENTINE,PERKINS..... <i>FOR USE WITH TENSIONER PART NUMBER T114416.</i>	1	20	227893GT	STARTER RELAY.....	1
1B	1259567GT	FAN BELT, SERP. PERKINS <i>BELT FOR TENSIONER PART NUMBER 235388 ONLY.</i>		21	227889GT	CIRCUIT BREAKER, 50A.....	2
2A	T114416GT	TENSIONER ARM,PERKINS 127HP..... <i>USE FOR PULLEY WITH 3.24" DIAMETER. OTHERWISE USE PART NUMBER 235388.</i>	1	--	227892GT	CIRCUIT BREAKER, 15A.....	1
2B	235388GT	TENSIONER ARM ALT, PERKINS <i>USE FOR PULLEY WITH 2.56" DIAMETER. OTHERWISE USE PART NUMBER T114416. ENGINE SERIAL NUMBER MUST BE PROVIDED AT TIME OF PURCHASE TO ASSURE CORRECT TENSIONER AND BELT ARE ORDERED.</i>		22	227890GT	CIRCUIT BREAKER, 30A.....	1
3	T114406GT	FAN,SPACER,PERKINS 127HP T3.....	1	--	227891GT	CIRCUIT BREAKER, 25A.....	1
4	T114404GT	FAN PULLEY, PERKINS 127HP T3.....	1	23	227895GT	GLOW PLUG RELAY.....	1
5	102646GT	ALTERNATOR,PERKINS 1104C-44.....	1	--	161154GT	PLATE,BREAKER MTG	
--	75321GT	SCREW,THERMSTAT.PERKINS1004-42		24	236662GT	ISOLATOR,RELAY BOARD,PERK 1104.....	4
--	75326GT	NUT,FAN BLADE,PERKINS 1004-42		25	130668GT	FAN GUARD,PERKINS,GTH10XX,T3.....	1
--	T114411GT	SCREW,ALTERNATOR MOUNTING		26	227911GT	BOLT, NC, 5/16-1/2	
--	T114412GT	BRACKET, ALTERNATOR.....	1	27	227912GT	WASHER, FLAT, 10MM	
--	T114413GT	PLATE,MOUNTING,TENSIONER ARM.....	1	28	T114400GT	HOSE,HEATER,3/4.....	1
--	T114414GT	BOLT,MOUNTING PLATE,PERKINS		29	T114403GT	FAN, PERKINS 127HP T3.....	1
--	T114416GT	TENSIONER ARM,PERKINS 127HP.....	1	30	T114335GT	RADIATOR,PERKINS 127HP..... <i>See 1283290 outlet reducer, below, if required</i>	1
6	T114346GT	CAP,VALVE COVER,OIL FILLER,PRK....	1	--	218403GT	CAP,RADIATOR,GTH137CAP.....	1
7	T114344GT	ASSEMBLY,VALVE COVER,PERKINS....	1	30A	1283290GT	REDUCER,RADIATOR OUTLET,PERKINS 127HP	
--	T114345GT	GASKET,VALVE COVER,PERKINS.....	1	--	30971GT	CLAMP,HOSE,3.00" <i>for 1283290</i>	
8	T114476GT	INJECTOR,PERKINS 127HP T3.....	4	--	35434GT	CLAMP,HOSE,2.00*** <i>for 1283290</i>	
--	T114478GT	BOLT,INJECTOR,PERKINS 127HP.....	4	31	T114407GT	STUDS,FAN,8MMX1.25MMX90MM	
9	T114425GT	GLOW PLUGS,PERKINS 127HP T3.....	4	32	75326GT	NUT,FAN BLADE,PERKINS 1004-42	
10	T114450GT	FUEL LINE,ECM TO FUEL FILTER.....	1	33	102632GT	FILTER,OIL,PERKINS 1104C-44.....	1
11	T114424GT	MODULE,ENGINE CONTROL,PERKINS.....	1	--	123084GT	HEAD / OIL FILTER.....	1
12	T114448GT	FUEL LINE,TRANS PUMP TO ECM.....	1	--	123085GT	GASKET / OIL FILTER HEAD.....	1
13	T114451GT	FUEL LINE,FUEL FILTER-HP PUMP.....	1	--	134396GT	LOW OIL PRESSURE SWITCH, PERK..	1
14	T114445GT	PUMP,LIFT,FUEL TRANSFER.....	1	34	227896GT	OIL PUMP	
15	T114441GT	PUMP,FUEL,HIGH PRESSURE.....	1	--	102642GT	GASKET - OIL PAN, PERKIN 1104C.....	1
16	75340GT	DIPSTICK,PERKINS 1004-42.....	1	--	75342GT	PLUG,ENGINE OIL,PERKIN 1004-42.....	1
				--	75343GT	WASHER,OIL DRAIN,PERKIN1004-42...1	
				35	130564GT	FUEL FILTER,PERKINS,GTH-1056.....	1
				36	227897GT	WATER PUMP KIT.....	1
				--	102644GT	GASKET-PUMP WATE,PERK 1104C-44.....	1
				--	T114398GT	GASKET,COVER,WATER PUMP.....	1

504.1 Perkins 1104D-E44TA, Tier 3 Engine, View 1  
(continued)

Item	Part No.	Description	Qty.
37	216748GT	ASSEMBLY, OIL DRAIN VALVE KIT.....1	
--	1702GT	HOSE-HEATER,5/8 ID-BLACK.....6	
--	19273GT	CLAMP,HOSE,,75 **.....1	
--	216745GT	ELBOW, OIL DRAIN VALVE.....1	
--	216746GT	ADAPTER, OIL DRAIN VALVE.....1	
--	216747GT	VALVE, OIL DRAIN, PERKINS.....1	
38	219457GT	HARNES, BACKUP ALARM.....1 <i>(includes alarm)</i>	
--	217469GT	ALARM, BACKUP WARNING	
--	6091GT	NUT,NYLOCK,1/4-20	
--	6-6212-04GT	WASHER,FLAT,,250, HARDENED	
--	6888GT	SCREW,HHC,1/4-20 X 1	

*This Page Intentionally Left Blank*

505.1 Perkins 1104D-E44TA, Tier 3 Engine, View 2

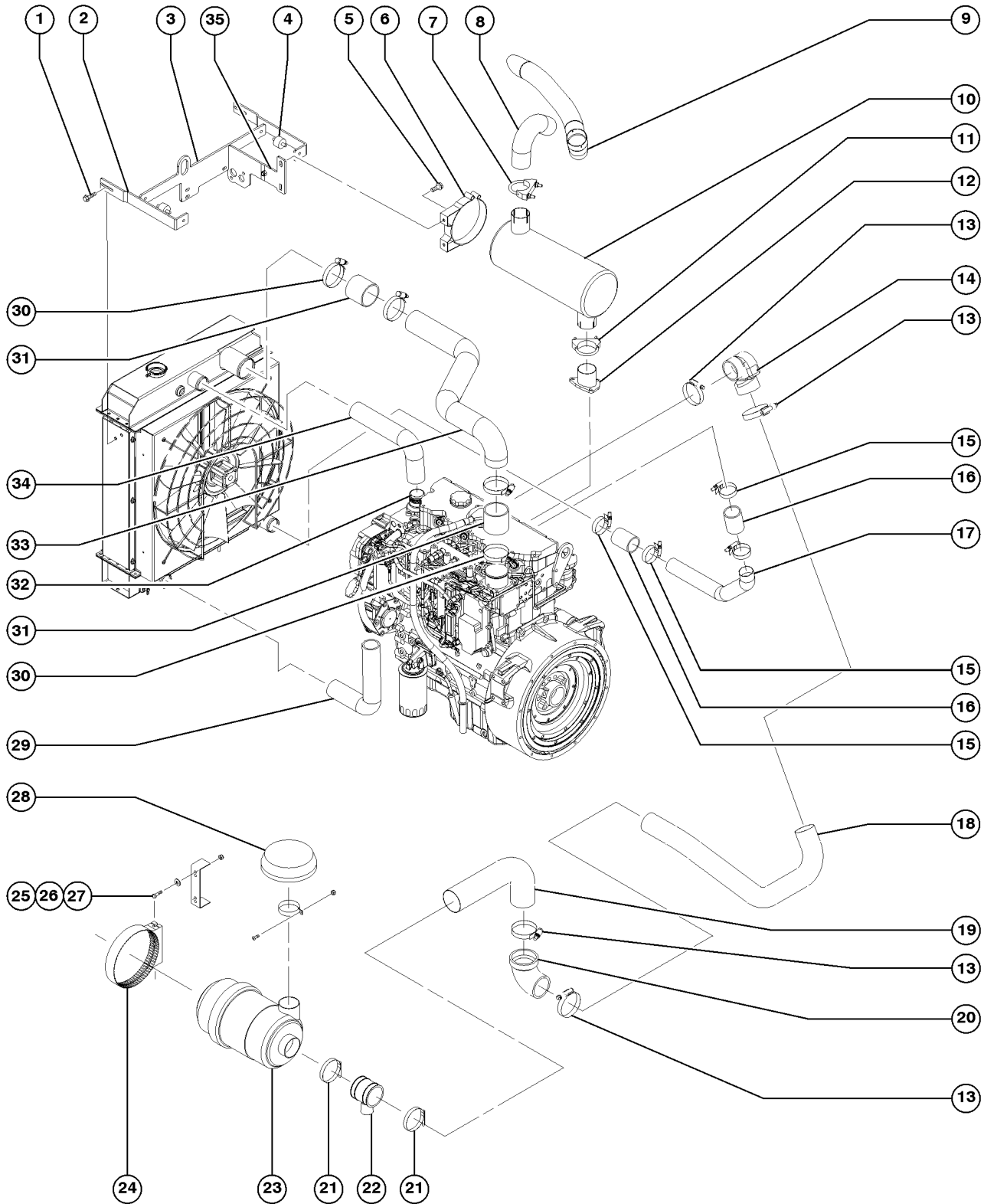




## 505.1 Perkins 1104D-E44TA, Tier 3 Engine, View 2

Item	Part No.	Description	Qty.	Item	Part No.	Description	Qty.
--	235183GT	HTR,OILPAN,SILICONE,120V,250W <i>For Arctic Option</i>		--	T114334GT	WASHER,FLYWHEEL,PERKINS 127HP	
1	T114418GT	SENSOR,WATER TEMP,PERKINS.....1		32	141365GT	ADAPTER PLATE	
2	T114347GT	MANIFOLD,EXHAUST,PERKINS.....1		33	13918GT	SCREW,HHC,3/8-16 X 1.75,GRD.8	
--	T114348GT	GASKET,EXHAUST MANIFOLD,PRKNS.....1		--	57201GT	WASHER,FLAT,313, HARDENED	
3	227898GT	OIL FEED PIPE.....1		34	220031GT	WELDMENT,ENG SKID,1204E-E44TA <i>used for Perkins 1104D engine</i>	
4	130607GT	INTAKE COUPLING,90 DEG RUBBER...1					
--	6-6252-12GT	HOSE CLAMP.....1					
5	138087GT	TURBO CHARGER PERKINS 10KREV4.....1					
--	123357GT	GASKET,TURBOCHARGER					
--	215578GT	WASHER,CRUSH					
6	227899GT	OIL DRAIN PIPE.....1					
--	227900GT	OIL DRAIN GASKET, UPPER.....1					
--	227901GT	OIL DRAIN GASKET, LOWER.....1					
7	123086GT	ELBOW / EXHAUST.....1					
8	130611GT	PIPE,EXHAUST FLANGE,PERKINS.....1					
--	75306GT	GASKET,MUFFLER,PERKINS 1004-42					
9	226627GT	STARTER,ENG,PERK T3 6/8/10K.....1					
--	234968GT	STARTER,PERK,1104D,5KW <i>For Arctic Option</i>					
10	227913GT	BOLT,HHC,5/16 X 1					
11	227914GT	WASHER, 7/16, FLAT					
12	T114350GT	ISOLATOR,RADIATOR,PERKINS.....2					
13	227915GT	BOLT, 12MX30					
14	T114338GT	BRACKET,MOUNTING,RH,FRONT.....1					
15	T114337GT	ISOLATOR,MOUNTS,PERKINS 127HP.....4					
16	227916GT	NUT, NYLOCK, 5/16					
17	123144GT	SCREW,HHC,3/4-10X7,GR8,Y					
18	74323GT	WASHER,FLAT,.812X2X.14 HARDEN					
19	77051GT	NUT,NYLOCK,3/4-10,GRD.8					
20	227917GT	WASHER, FLAT, 1/2					
21	227918GT	NUT, NYLOCK, 1/2					
22	104328GT	NUT,HEX,1/2-13 GRD 8					
23	6033GT	WASHER,LOCK,0.5"					
24	T114341GT	BRACKET,MOUNTING,RH REAR.....1					
25	6095GT	WASHER,FLAT,USS,1/2",Y					
26	117491GT	SCREW,HHC,1/2-13X2.00 GR8					
27	T114342GT	BRACKET,MOUNTING,LH REAR.....1					
28	227919GT	BOLT, HHC, 1/2 X 3.5					
29	T114339GT	BRACKET,MOUNTING,LH,FRONT.....1					
30	T114327GT	FLYWHEEL,WITH RING GEAR.....1					
31	T114333GT	BOLTS,FLYWHEEL,PERKINS 127HP					

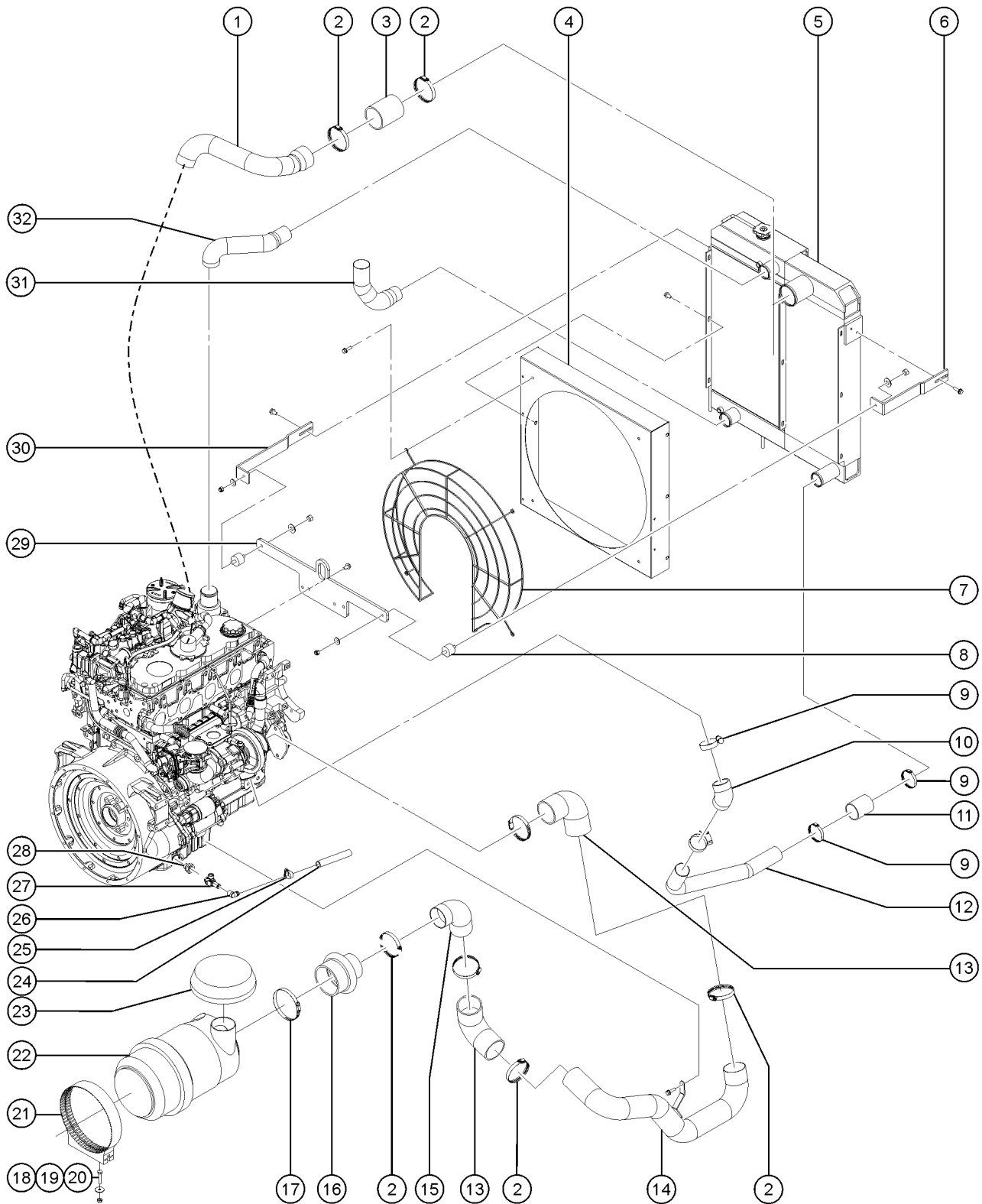
506.1 Perkins 1104D-E44TA, Tier 3 Engine, View 3



## 506.1 Perkins 1104D-E44TA, Tier 3 Engine, View 3

Item	Part No.	Description	Qty.	Item	Part No.	Description	Qty.
1	227920GT	BOLT, HHC, 3/8 X 3/4.....	2	35	130613GT	MUFFLER BRACKET,PERKINS	
2	T114352GT	RADIATOR STAY,EXT,PERKINS.....	2				
3	T114380GT	RADIATOR STAY,PERKINS 127HP.....	1				
4	T114349GT	ISOLATOR,PERKINS 127HP T3.....	2				
5	130662GT	BOLT,EXHAUST BRACKET.....	2				
6	T114336GT	BAND,MOUNTING,MUFFLER,6.62".....	1				
7	218739GT	CLAMP,ACCUSEAL,2.5 IN.....	1				
8	130610GT	PIPE,EXHAUST ELBOW,PERKINS.....	1				
9	130056GT	PIPE,TAILPIPE,PERKINS.....	1				
--	141303GT	FORMING,EXHAUST BRACKET (mounting L-bracket, 4.75 x 10.94 x 1 inch)					
10	130612GT	MUFFLER,PERKINS,GTH.....	1				
11	130608GT	EXHAUST CLAMP,SADDLE STYLE,2.5.....	1				
12	130611GT	PIPE,EXHAUST FLANGE,PERKINS.....	1				
--	75306GT	GASKET,MUFFLER,PERKINS 1004-42					
13	6-6252-12GT	HOSE CLAMP.....	4				
14	130607GT	INTAKE COUPLING,90 DEG RUBBER...1					
15	130184GT	LOWER CAC HOSE CLAMP.....	4				
16	130183GT	LOWER CAC PIPE CONNECTOR.....	1				
17	130657GT	PIPE,TURBO-CAC,PERKINS,10XX.....	1				
18	130609GT	PIPE,AIR INT-2 1/2",PERKINS.....	1				
19	123683GT	PIPE,AIR INTAKE,PERKINS,3"-90.....	1				
20	130606GT	RUBBER ELBOW REDUCER;3-2 1/2"....1					
21	123161GT	HOSE CLAMP.....	2				
22	7-109-17GT	COUPLING W/PORT,AIR INTAKE.....	1				
--	117588GT	GAUGE, AIR RESTRICT,90M-BAR.....	1				
23	123806GT	AIR CLEANER, M&H400, MIRROR IN....1					
--	1281129GT	END CAP, AIR CLEANER 123806 for 123806					
--	7-109-04GT	FILTER ELEMENT / PRIMARY for 123806					
--	7-109-14GT	SAFETY ELEMENT for 123806					
24	7-109-3GT	MOUNTING BAND, SMALL BASE.....	1				
25	13000GT	SCREW,HHC,5/16-18 X 1.25.....	2				
26	5397GT	WASHER,FLAT,USS,5/16",Y.....	2				
27	6782GT	NUT,NYLOCK,5/16-18.....	2				
28	7-109-02GT	RAIN CAP W/CLAMP.....	1				
29	227903GT	LOWER RADIATOR HOSE.....	1				
30	130180GT	UPPER CAC PIPE CLAMPS.....	2				
31	824671GT	CONN,UPPER CAC PIPE,3 ID X 4LG....2					
32	T114381GT	THERMOSTAT & HOUSING,PERK.....	1				
33	130659GT	PIPE,CAC-INTAKE,PERKINS,10XX.....	1				
34	123090GT	HOSE / RADIATOR.....	1				

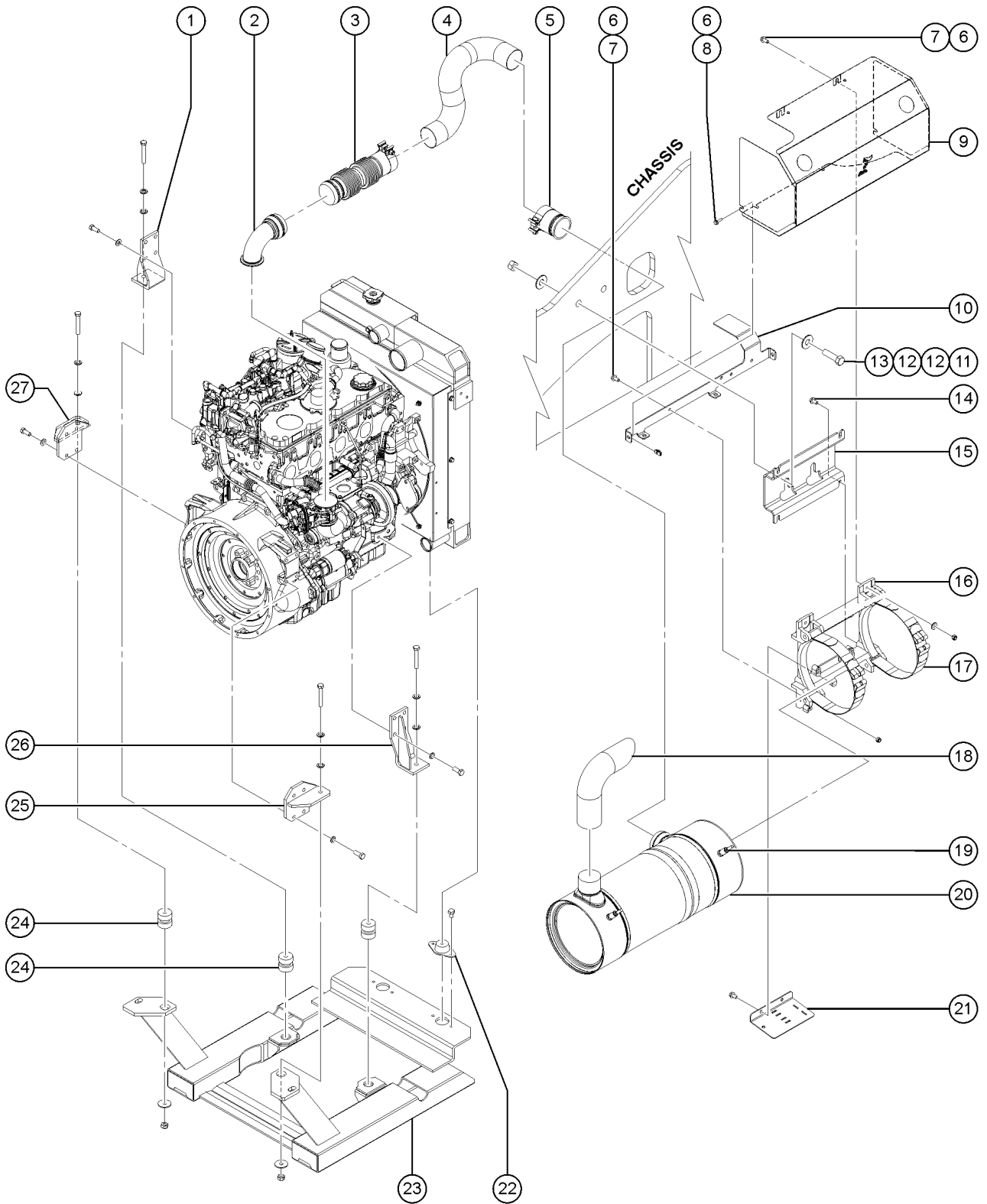
507.1 Perkins 1204E-E44TA Engine, View 1



## 507.1 Perkins 1204E-E44TA Engine, View 1

Item	Part No.	Description	Qty.
--	216748GT	ASSEMBLY, OIL DRAIN VALVE KIT (includes item # 15, 16 & 20-22)	
1	220042GT	PIPE,CAC INTAKE,1204E-E44TA.....	1
2	30489GT	CLAMP,HOSE,3.50.....	4
3	220047GT	UPR CAC PIPE CNCTR,1204E-E44TA...	1
4		Ref., FORMING,RAD SHROUD,1204E-E44TA..... (included with radiator 220040GT)	1
5	220040GT	RADIATOR, PERKINS, 1204E-E44TA....	1
--	218403GT	CAP,RADIATOR,GTH137CAP.....	1
6	220037GT	FRMNG,UPPER RGT RAD,124E-E44TA.....	1
7	220061GT	FAN GUARD, 1204E-E44TA.....	1
8	T114349GT	ISOLATOR,PERKINS 127HP T3.....	2
9	218423GT	HOSE CLAMP,CONST TNSN,5/8X2"....	4
10	220046GT	UPR CAC PIPE CNCTR,1204E-E44TA...	1
11	220045GT	UPR CAC CONNECTOR,1204E-E44TA.....	1
12	220041GT	PIPE,TURBO-CAC,1204E-E44TA.....	1
13	220021GT	ELBOW, 3IN-2.5IN,1204E-E44TA.....	2
14	220022GT	PIPE,TURBO INLET,1204E-E44TA.....	1
15	220023GT	PIPE,INTAKE,1204E-E44TA.....	1
16	220054GT	REDUCER,4"-3",1204E-E44TA.....	1
17	34955GT	CLAMP,HOSE,5.00.....	1
18	13000GT	SCREW,HHC,5/16-18 X 1.25	
19	5397GT	WASHER,FLAT,USS,5/16",Y	
20	6782GT	NUT,NYLOCK,5/16-18	
21	220059GT	MTG BAND, SMALL BASE, M&H500	
22	220058GT	AIR CLEANER, M&H500, MIRROR IN....	1
--	220063GT	FILTER, MAIN, M&H500	
--	220064GT	FILTER, SECONDARY, M&H500	
23	7-109-02GT	RAIN CAP W/CLAMP.....	1
24	1702GT	HOSE-HEATER,5/8 ID-BLACK.....	6
25	19273GT	CLAMP,HOSE,,75 **.....	1
26	216745GT	ELBOW, OIL DRAIN VALVE.....	1
27	216747GT	VALVE, OIL DRAIN, PERKINS.....	1
28	216746GT	ADAPTER, OIL DRAIN VALVE.....	1
29	220039GT	PLATE,RAD SUPPORT, 1204E-E44TA.....	1
30	220038GT	FRMNG,UPPER LFT RAD,124E-E44TA.....	1
31	220043GT	HOSE,RAD LOWER,1204E-E44TA.....	1
32	220044GT	HOSE,RAD UPPER,1204E-E44TA.....	1

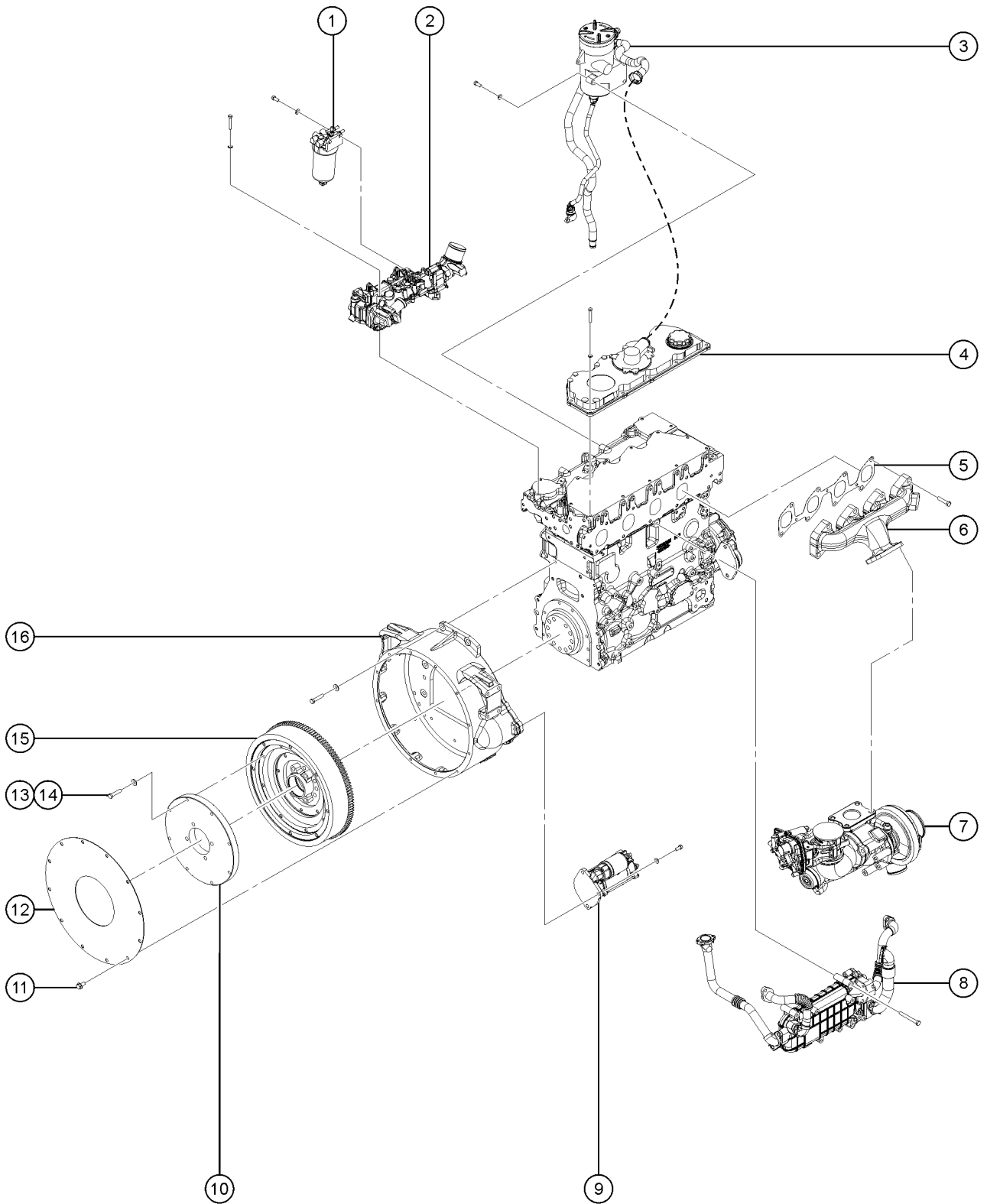
508.1 Perkins 1204E-E44TA Engine, View 2



## 508.1 Perkins 1204E-E44TA Engine, View 2

Item	Part No.	Description	Qty.
1	220030GT	WELDMENT,FL,1204E-E44TA.....	1
2	220033GT	ELBOW,EXHAUST,1204E-E44TA.....	1
3	220034GT	FLEX-HOSE,EXHAUST,1204E-E44TA....	1
4	220032GT	PIPE,EXHAUST,1204E-E44TA.....	1
5	220053GT	PIPE,EXHAUST,ADP,1204E-E44TA.....	1
6	121420GT	SCREW,HHF,1/4-20 X 1.00	
7	18504GT	NUT,LOCKING-LG.FLANGE,1/4-20	
8	56912GT	SPRING CLIP,1/4-20,.025-.15X.54,ZAG.....	4
9	233828GT	GUARD, DPF, 1204E-E44TA.....	1
10	233830GT	FORMING, DPF HEAT SHIELD.....	1
11	51428GT	SCREW,HHC,3/4-10 X 2.75	
12	10256GT	WASHER,FLAT,USS,3/4",Y	
13	10258GT	NUT,NYLOCK,3/4-10,GRD.2	
14	75052GT	SCREW,SER/FLNG 10M-1.5X20MM BK	
15	233829GT	FORMING, DPF MOUNT.....	1
16	220049GT	CASTING,DPF,1204E-E44TA.....	1
17	220050GT	CLAMP,DPF,1204E-E44TA.....	2
18	220055GT	PIPE,EXST,TIP,1204E-E44TA.....	1
19	220051GT	SENSOR,DPF,1204E-E44TA.....	2
20	220048GT	DPF,1204E-E44TA.....	1
21	220052GT	FORMING,DPF BRKT,1204E-E44TA	
22	T114350GT	ISOLATOR,RADIATOR,PERKINS.....	2
23	220031GT	WELDMENT,ENG SKID,1204E-E44TA....	1
24	T114337GT	ISOLATOR,MOUNTS,PERKINS 127HP.....	4
25	220028GT	WELDMENT,RR,1204E-E44TA.....	1
26	220029GT	WELDMENT,FR,1204E-E44TA.....	1
27	220027GT	WELDMENT,RL,1204E-E44TA.....	1

509.1 Perkins 1204E-E44TA Engine, View 3

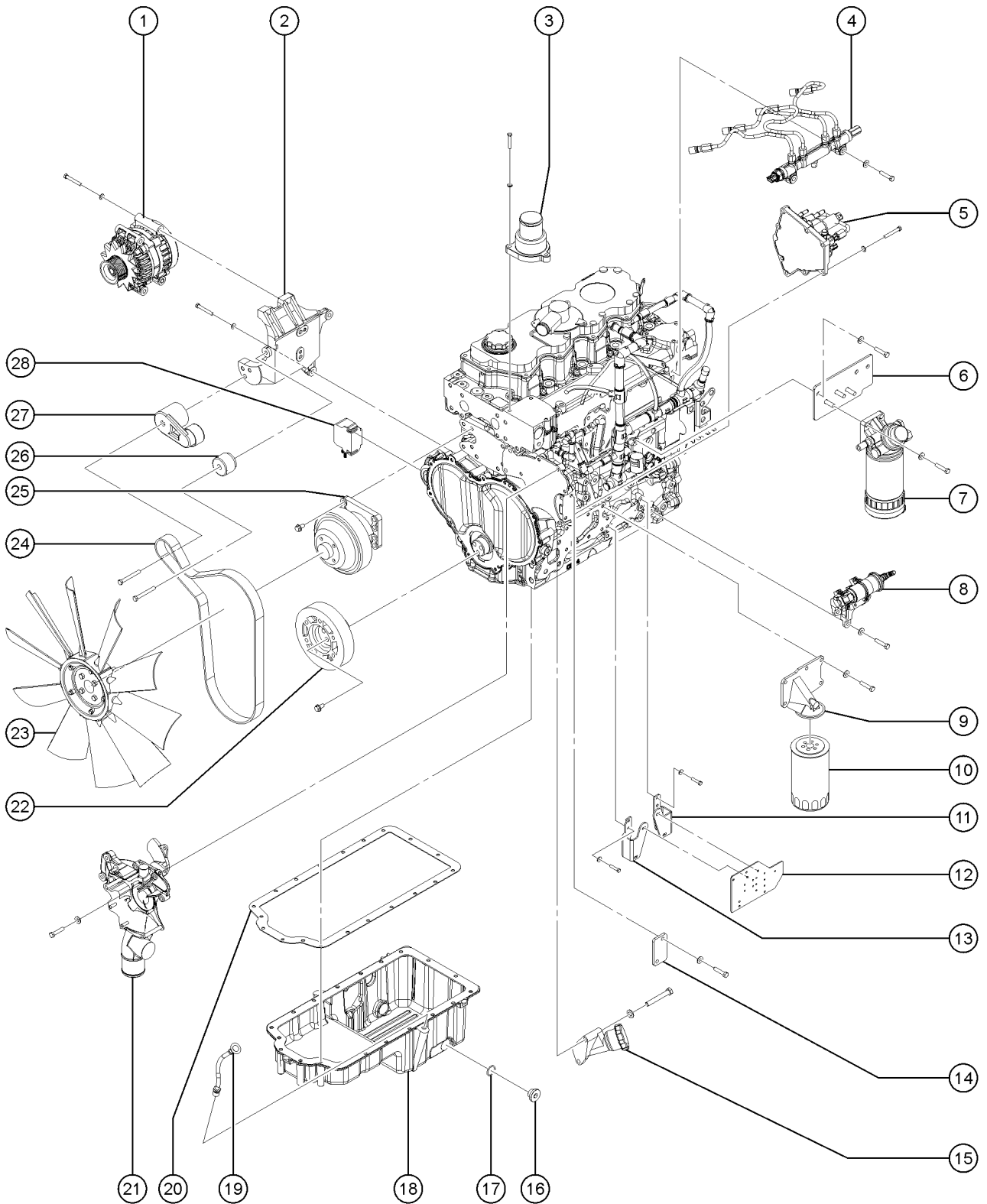




## 509.1 Perkins 1204E-E44TA Engine, View 3

Item	Part No.	Description	Qty.
1	220020GT	FILTER,FUEL,SEC,1204E-E44TA.....1	1
--	1251455GT	FILTER ELEMENT,FUEL,SEC,1204E.....1	1
2	220012GT	EXHAUST MIXER,1204E-E44TA.....1	1
3	219537GT	BREATHER VALVE,1204E-E44TA.....1	1
--	825601GT	CRNKCASE BREATHR ELEM, 1204E....1	1
4	219549GT	VALVE COVER,1204E-E44TA.....1	1
5	219541GT	GSKT,MANIFLD,EXST,1204E-E44TA.....1	1
6	219542GT	MANIFOLD,EXHAUST,1204E-E44TA.....1	1
7	219540GT	TURBOCHARGER,1204E-E44TA.....1	1
8	220011GT	NOX REDUCTION,1204E-E44TA.....1	1
9	226627GT	STARTER,ENG,PERK T3 6/8/10K.....1	1
10	141365GT	ADAPTER PLATE.....1	1
11	141233GT	BOLT, 10X20MM X 10.9GR FLANGE....12	12
12	130886GT	PLATE,PERKINS FLYWHEEL COVER....1	1
13	13918GT	SCREW,HHC,3/8-16 X 1.75,GRD.8.....8	8
14	57201GT	WASHER,FLAT,313, HARDENED.....8	8
15	219528GT	FLYWHEEL,1204E-E44TA.....1	1
16	219532GT	FLYWHEEL HOUSING,1204E-E44TA.....1	1

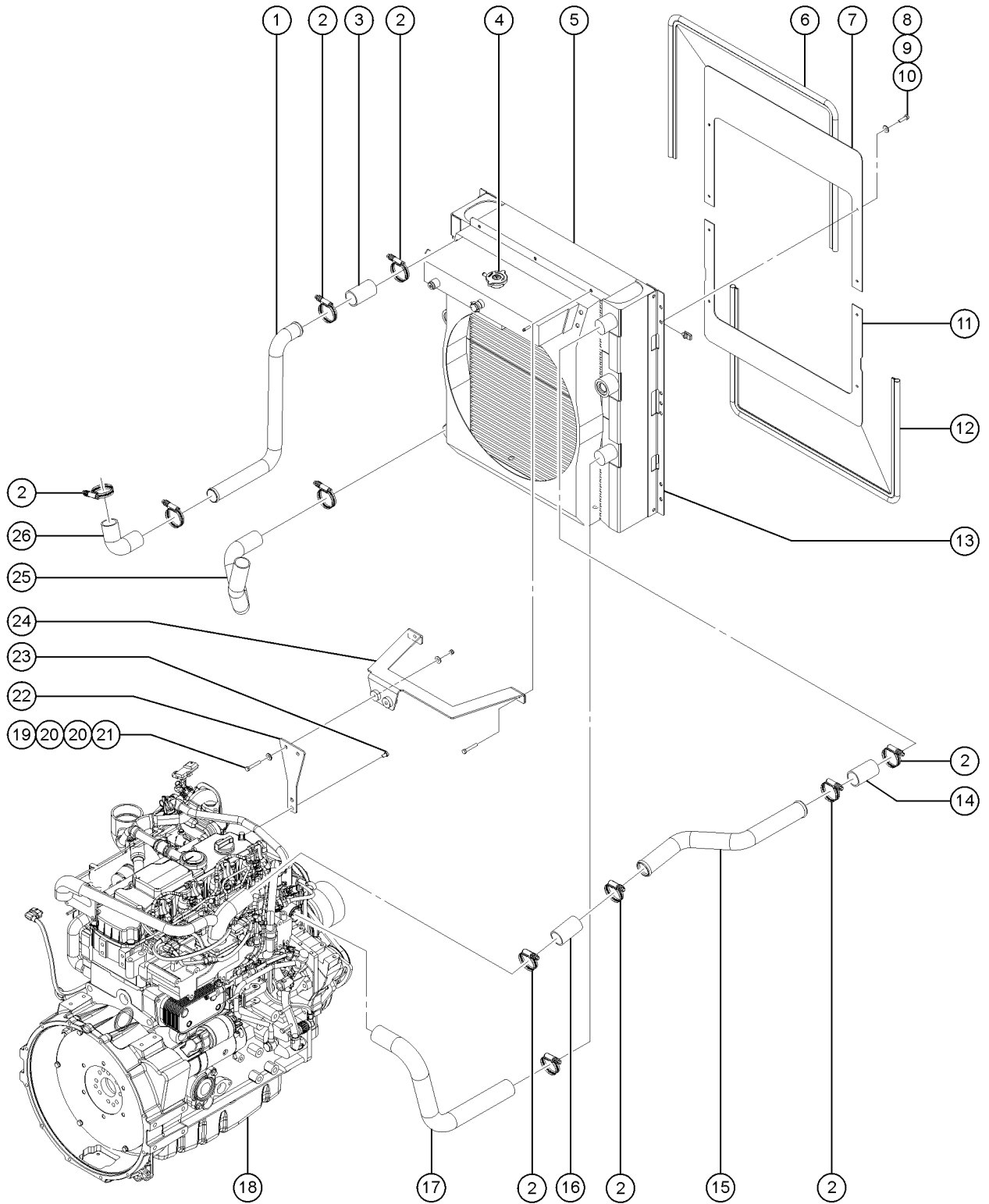
510.1 Perkins 1204E-E44TA Engine, View 4



## 510.1 Perkins 1204E-E44TA Engine, View 4

Item	Part No.	Description	Qty.
--		ECM,1204E-E44TA.....1 <i>(contact Genie Service Parts for assistance)</i>	
--	220016GT	ENGINE HARNESS,1204E-E44TA.....1	
1	219543GT	ALTERNATOR,1204E-E44TA.....1	
2	219544GT	MOUNT,ALTERNATOR,1204E-E44TA.....1	
3	219539GT	THERMOSTAT HSING,1204E-E44TA.....1	
4	220018GT	FUEL RAIL,1204E-E44TA.....1	
5	220017GT	FUEL INJ PUMP,1204E-E44TA.....1	
6	220014GT	FUEL FILTER MTG,1204E-E44TA.....1	
7	220019GT	FILTER,FUEL,PRI,1204E-E44TA.....1	
--	1251454GT	FILTER ELEMENT,FUEL,PRI,1204E.....1	
--	T114448GT	FUEL LINE,TRANS PUMP TO ECM <i>(fuel line from lift pump to ecm)</i>	
--	T114450GT	FUEL LINE,ECM TO FUEL FILTER	
--	T114451GT	FUEL LINE,FUEL FILTER-HP PUMP <i>(fuel line from fuel filter to injector pump)</i>	
8	220013GT	FUEL LIFT PUMP,1204E-E44TA.....1	
9	219530GT	FILTER HEAD,OIL,1204E-E44TA.....1	
10	219529GT	FILTER,OIL,1204E-E44TA.....1	
11	220025GT	BRKT,ELEC,REAR,1204E-E44TA.....1	
12	220026GT	BRKT,BREAKER,1204E-E44TA.....1	
13	220024GT	BRKT,ELEC,FRNT,1204E-E44TA.....1	
14	219550GT	PLATE,OIL FILL,1204E-E44TA.....1	
15	220010GT	OIL FILLER,1204E-E44TA.....1 <i>(includes item # 14)</i>	
16	219534GT	PLUG,OIL DRAIN,1204E-E44TA.....1	
17	219535GT	SEAL,OIL DRAIN,1204E-E44TA.....1	
18	219533GT	OIL PAN,1204E-E44TA.....1	
19	219538GT	DIPSTICK,OIL,1204E-E44TA.....1	
20	219536GT	GASKET,OIL PAN,1204E-E44TA.....1	
21	219548GT	WATER PUMP,1204E-E44TA.....1	
22	219546GT	PULLEY,CRANKSHAFT,1204E-E44TA.....1	
23	217939GT	FAN, PERKINS 1104D,PUSHER.....1	
24	219545GT	BELT,DRIVE,1204E-E44TA.....1	
25	219547GT	PULLEY,ASSY,RAD,1204E-E44TA.....1	
26	220057GT	PULLEY,IDLER,1204E-E44TA.....1	
27	220056GT	BELT TENSIONER,1204E-E44TA.....1	
28	219457GT	HARNESS, BACKUP ALARM.....1	
--	6091GT	NUT,NYLOCK,1/4-20	
--	6-6212-04GT	WASHER,FLAT,250, HARDENED	
--	6888GT	SCREW,HHC,1/4-20 X 1	

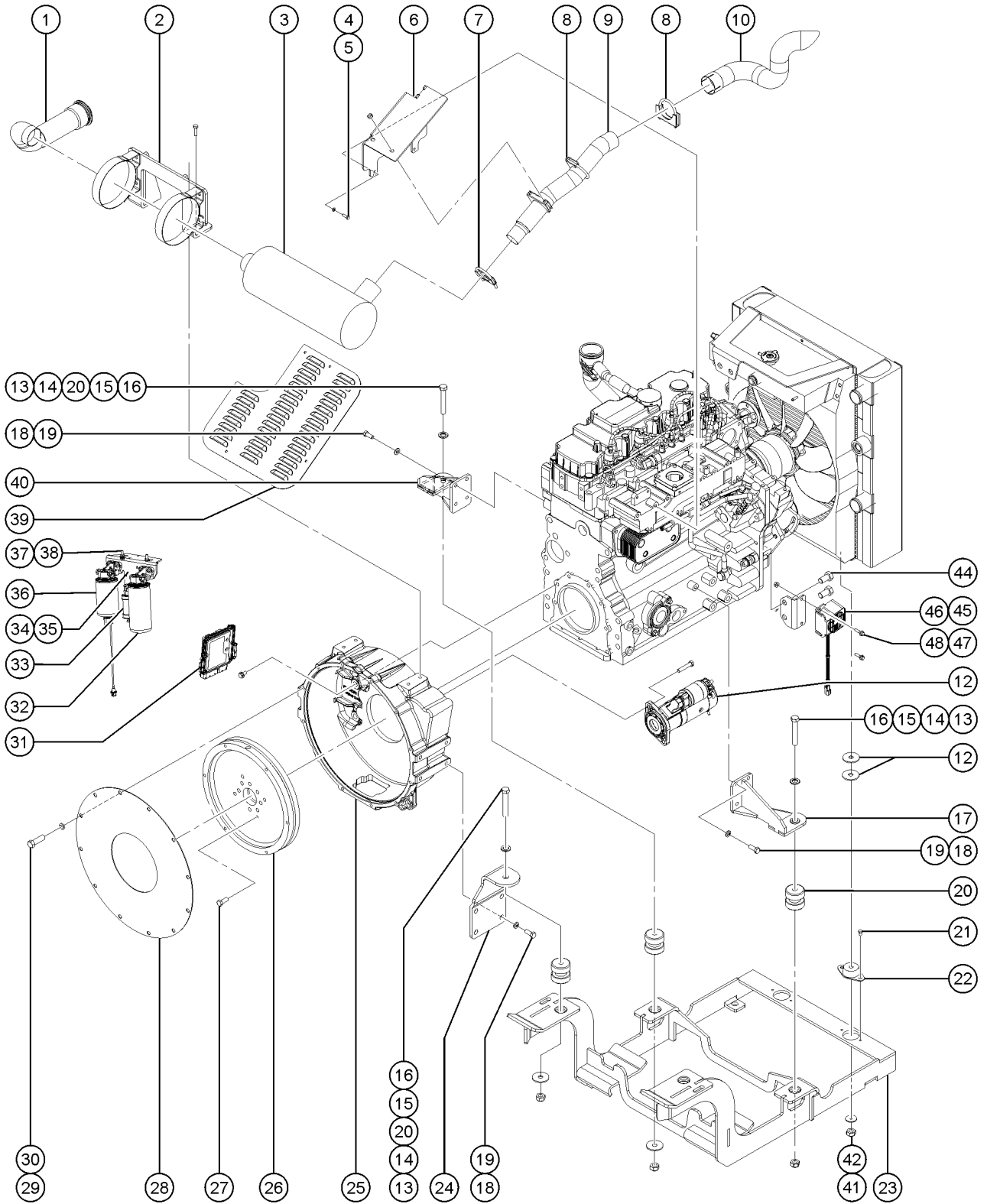
511.1 Deutz TCD3.6 T3 Engine, View 1



## 511.1 Deutz TCD3.6 T3 Engine, View 1

Item	Part No.	Description	Qty.
--	1257363GT	HOSE,COMP,TCD3.6,T4F.....1 <i>(hose from expansion tank to water pump)</i>	1
--	1266688GT	SLEEVE,COMP HOSE,TCD3.6,T4F.....1 <i>(protects hose 1257363GT)</i>	1
--	1279631GT	PULLEY,BELT TENSIONER,D2.9L4	
1	236273GT	PIPE,CAC INLET,DEUTZ TCD3.6.....1	1
2	215216GT	CLAMP,HOSE,CT,SAE 262,1-3/4" T.....8	8
3	215217GT	COUPLING,CAC,1.75X3.5 LONG.....1	1
4	218714GT	CAP,RADIATOR,DEUTZ TCD3.6.....1	1
5	236242GT	RADIATOR/HOC/CAC,DEUTZ TCD3.6...1	1
--	1273074GT	SIGHT GLASS KIT.....1	1
--	218715GT	SENSOR,COOLANT LEVEL, DEUTZ	
--	824774GT	FAN GUARD,WIRE,DEUTZ TCD3.6	
6	119219GT	TRIM,EDGE,1/8X3/4 END BULB.....73-inches	
7	1254530GT	PLATE,RAD BAFFLE,TOP,TCD3.6.....1	1
8	6888GT	SCREW,HHC,1/4-20 X 1	
9	6638GT	WASHER,FLAT,USS,1/4"Y	
10	56912GT	SPRING CLIP,1/4-20,.025-.15X.54,ZAG	
11	216179GT	PLATE,RAD. BAFFLE,TCD3.6.....1	1
12	119219GT	TRIM,EDGE,1/8X3/4 END BULB.....67-inches	
13	235478GT	FORMING,BAFFLE MOUNT,DEUTZ TCD.....2	2
14	215217GT	COUPLING,CAC,1.75X3.5 LONG.....1	1
15	236274GT	PIPE,CAC OUTLET,DEUTZ TCD3.6.....1	1
16	215217GT	COUPLING,CAC,1.75X3.5 LONG.....1	1
17	236271GT	HOSE,RAD. INLET,DEUTZ TCD3.6.....1	1
18	236243GT	OIL PAN,DEUTZ TCD3.6.....1	1
19	50793GT	SCREW,HHC,5/16-18 X 2.....2	2
20	5397GT	WASHER,FLAT,USS,5/16",Y	
21	6782GT	NUT,NYLOCK,5/16-18	
22	236333GT	PLATE,UPPER RADIATOR SUPPORT...1	1
23	49378GT	SCREW,HHC,M8 X 16.....2	2
24	236332GT	FORMING,UPPER RADIATOR SUPPORT.....1	1
--	236334GT	ISOLATOR,UP RADIATOR SUPPORT	
25	236272GT	HOSE,RAD. OUTLET,DEUTZ TCD3.6.....1	1
--	161378GT	161387GT ASSY, BLOCK HTR, DEUTZ.....1 <i>Includes the IN-LINE (hose) heater part 161373 and 2 clamps part 45435</i>	1
26	215219GT	SLEEVE,TUBE,CAC TURBO,TCD3.6.....1	1
--	825249GT	PIPE,DOC EXHAUST ELBOW.....1	1

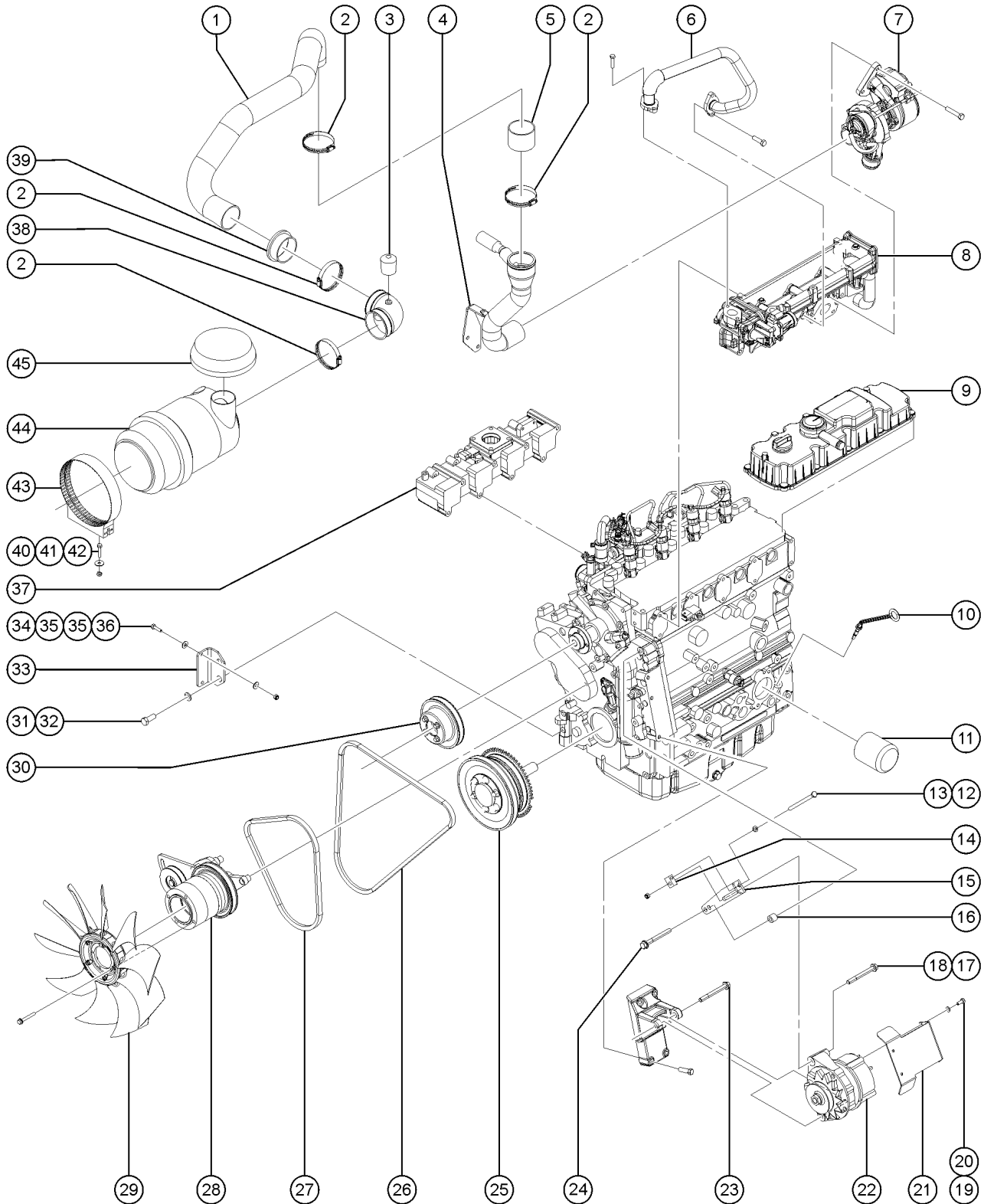
512.1 Deutz TCD3.6 T3 Engine, View 2



## 512.1 Deutz TCD3.6 T3 Engine, View 2

Item	Part No.	Description	Qty.	Item	Part No.	Description	Qty.
--				--	823057GT	FILTER,FUEL,SPIN-ON TCD3.6 ( <i>spin-on filter</i> )	
1	237161GT	PIPE,TURBO TO MUFFLER,TCD3.6 T...1		--	824673GT	SENSOR,LOW PRESSURE,DEUTZ 2.9L	
2	237163GT	MOUNT,MUFFLER,DEUTZ TCD3.6 T3...1 <i>muffler clamps sold separately</i>		33	236259GT	LIFT PUMP,FUEL,DEUTZ.....1	
--	824764GT	BAND,MUFFLER,DEUTZ TCD3.6.....2		34	825048GT	FORMING,FILTER MOUNT,DEUTZ,10K.....1	
3	237162GT	MUFFLER,DEUTZ TCD3.6 T3.....1		35	105214GT	CABLE TIE MOUNT, WINGED.....1	
4	49379GT	SCREW,HHC,M8 X 1.25 X 25.....2		36	1261239GT	ASSY,FUEL PREFILTER,DEUTZ 2.9.....1 ( <i>includes head, filter and WIF sensor</i> )	
5	33277GT	WASHER,FLAT,M8,YELLOW ZINC.....2		--	074501.0291GT	SENSOR ( <i>water-in-fuel sensor w/cable</i> )	
6	1254527GT	WLDMNT,EXST MNT,TCD3.6 T3,10K.....1 ( <i>traffic black</i> )		--	236260GT	PRE-FILTER,FUEL,DEUTZ TCD3.6 ( <i>spin-on filter</i> )	
7	71911GT	CLAMP,MUFFLER, 2.50 INCH.....1		37	122202GT	SCREW,FLANGE,HHC,3/8-16X1.25	
8	141326GT	CLAMP,MUFFLER,3".....3		38	48425GT	NUT,FLG-LRG,3/8-16,YZ	
9	219431GT	PIPE,EXHAUST,MID,TCD3.6 T3,10K.....1		39	237872GT	FORMING, ENG COVER, DEUTZ-JD.....1	
10	117877GT	PIPE, TAILPIPE.....1		40	218702GT	LEFT ENGINE MOUNT, DEUTZ TCD3.6.....1	
11	236247GT	STARTER,4KW,DEUTZ TCD3.6.....1		41	6022GT	NUT,HEX,3/8-16	
--	824987GT	RELAY,STARTER,DEUTZ.....1		42	6021GT	WASHER,LOCK, .375	
12	15086GT	WASHER,FLAT, .375 X 1.5 X .125		44	1255807GT	SCREW,HFH,M16-2.0X30,DIN6921,1.....2	
13	53909GT	SCREW,HHC,5/8-11 X 4.0 GR8.....4		45	824079GT	SCREW,HFH,1/4-20X1,8,ZAG.....2	
14	13064GT	WASHER,FLAT, .625 HARDENED		46	824027GT	NUT,TL FLG,1/4-20,G,ZAG.....2	
15	33418GT	WASHER,FLAT, .625 X 2.25 X .15		47	219457GT	HARNES, BACKUP ALARM.....1 ( <i>includes alarm</i> )	
16	6024GT	NUT,NYLOCK,5/8-11		--	217469GT	ALARM, BACKUP WARNING	
17	218703GT	RIGHT ENGINE MOUNT, DEUTZ TCD3.6.....1		48	1254543GT	BRACKET,BACK UP ALARM.....1	
18	49381GT	SCREW,HHC,M12 X 30					
19	49410GT	WASHER,FLAT,M12					
20	117779GT	ISOLATOR,RUBBER,TRANS.....4					
21	18544GT	SCREW,SHC,5/16-18 X .5					
22	218713GT	LOWER RAD ISOLATORS, DEUTZ TCD3.6.....2					
23	219322GT	ENGINE SKID, DEUTZ TCD 3.6.....1					
24	218709GT	MTG,L,FLYWHEEL HSNG,10K,TCD3.6.....1					
--	825551GT	MTG,RIGHT,FLYWHEEL HSNG,10K,TCD3.6.....1					
25	219321GT	FLYWHL HOUSING, DTZ TCD3.6, 10K.....1					
26	1259660GT	FLYWHEEL, SAE 8/10.....1					
27	141233GT	BOLT, 10X20MM X 10.9GR FLANGE....4					
28	130886GT	PLATE,PERKINS FLYWHEEL COVER....1					
29	85099GT	SCREW,SHC,M8X1.25X20,GR 12.9					
30	49408GT	WASHER,LOCK,M8					
31	214795GT	ECM, Deutz D2.9.....1					
--	18504GT	NUT,LOCKING-LG.FLANGE,1/4-20					
--	8915GT	SCREW,HHC,1/4-20 X 1.25					
32	236266GT	ASSY, FUEL FILTER TCD 3.6.....1 ( <i>includes filter head, spin-on filter</i> )					

513.1 Deutz TCD3.6 T3 Engine, View 3

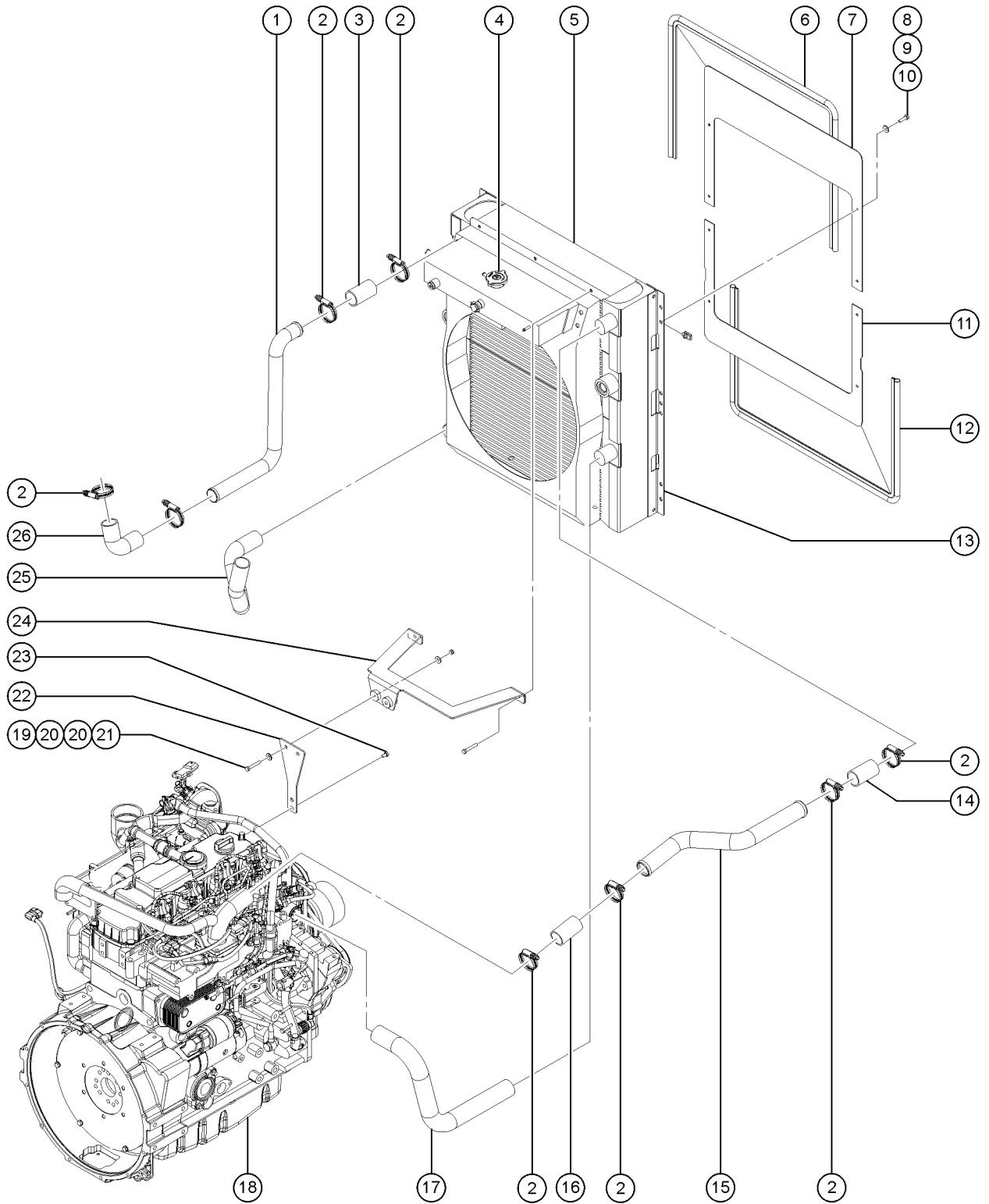




## 513.1 Deutz TCD3.6 T3 Engine, View 3

Item	Part No.	Description	Qty.	Item	Part No.	Description	Qty.
--	219334GT	HARNESSE,ENGINE BASE,TCD3.6.....1		28A	236245GT	PULLEY ASSEMBLY,RADIATOR FAN,T.....1	
1	1263154GT	PIPE,TURBO INLET,TCD3.6,10K.....1		28B	1275970GT	PULLEY,TENSIONING,RAD.FAN,TC3.6L	
2	30489GT	CLAMP,HOSE,3.50.....4		28C	1275971GT	BRACKET, PULLEY	
3	117588GT	GAUGE, AIR RESTRICT,90M-BAR.....1		29	219329GT	FAN,RADIATOR,DEUTZ TCD3.6, 10K....1	
4	219325GT	ASSY,TURBO INLET,TCD3.6,10K.....1		30	236248GT	PULLEY ASSEMBLY,ALTERNATOR,TCD.....1	
5	130179GT	UPPER CAC PIPE CONNECTORS.....1		31	49381GT	SCREW,HHC,M12 X 30	
6	219327GT	PIPE,EGR TUBE DEUTZ TD3.6,10K.....1 <i>order with 2ea gasket 1272577</i>		32	49409GT	WASHER,LOCK,M12	
--	1272577GT	GASKET,EGR TUBE DEUTZ TD3.6,10...2 <i>sold separately</i>		33	161853GT	BACK UP ALARM BRACKET.....1	
7	236258GT	TURBOCHARGER,DEUTZ TCD3.6.....1		34	6888GT	SCREW,HHC,1/4-20 X 1	
--	1270487GT	EGR COOLER, DEUTZ TCD3.6		35	6638GT	WASHER,FLAT,USS,1/4"Y	
--	236254GT	MANIFOLD,EXHAUST,DEUTZ TCD3.6.....1		36	6091GT	NUT,NYLOCK,1/4-20	
8	219328GT	PIPES, EXHAUST MAN., TCD3.6 8K		37	236252GT	MANIFOLD,INTAKE,DEUTZ TCD3.6.....1	
9	236246GT	VALVE COVER,DEUTZ TCD3.6.....1		38	219323GT	ELBOW, 90 DEG W/PORT.....1	
10	236255GT	DIPSTICK,OIL,DEUTZ TCD3.6.....1		39	88064GT	REDUCER,3" TO 2.75".....1	
11	49924GT	FILTER,OIL,DEUTZ F4L1011F.....1 <i>GENIE GENUINE PART. SEE PN 1255653 FOR COMPATIBLE AFTERMARKET REPLACEMENT.</i>		40	13000GT	SCREW,HHC,5/16-18 X 1.25	
--	1255653GT	FILTER,OIL,DEUTZ,REPLACEMENT <i>GENIE AFTERMARKET PART. COMPATIBLE WITH GENIE GENUINE PART 49924.</i>		41	5397GT	WASHER,FLAT,USS,5/16",Y	
12	218718GT	HEX BOLT, TCD3.6 ALT		42	6782GT	NUT,NYLOCK,5/16-18	
13	218719GT	WASHER, TCD3.6 ALT		43	7-109-03GT	MOUNTING BAND, SMALL BASE.....1	
14	218717GT	THREADED PIECE, TCD3.6 ALT.....1		44	123806GT	AIR CLEANER, M&H400, MIRROR IN....1	
15	218716GT	CLAMPING STRAP, TCD3.6 ALT.....1		--	1281129GT	END CAP, AIR CLEANER 123806 <i>for 123806</i>	
16	218722GT	SPACER SLEEVE, TCD3.6 ALT.....1		--	7-109-04GT	FILTER ELEMENT / PRIMARY.....1 <i>for 123806</i>	
17	218723GT	HEX BOLT, TCD3.6 ALT		--	7-109-14GT	SAFETY ELEMENT.....1 <i>for 123806</i>	
18	218724GT	HEX NUT, TCD3.6 ALT		45	7-109-02GT	RAIN CAP W/CLAMP.....1	
19	67537GT	SCREW,HHC,M5 X 12MM					
20	49413GT	WASHER,FLAT, M5 YELLOW ZINC					
21	1251993GT	FORMING,ALTERNATOR GRD,TCD3.6.....1					
--	1263499GT	KIT, GUARD, ALTERNATOR, TCD3.6....1					
22	236251GT	ALTERNATOR,95 AMP,DEUTZ.....1					
23		HEX BOLT, TCD3.6 ALT					
24		HEX BOLT, TCD3.6 ALT					
25	236244GT	PULLEY,CRANKSHAFT,DEUTZ TCD3.6.....1					
26	236267GT	V-BELT,ALTERNATOR,DEUTZ TCD3.6.....1					
27	236268GT	V-BELT,RADIATOR FAN,DEUTZ TCD3.....1					

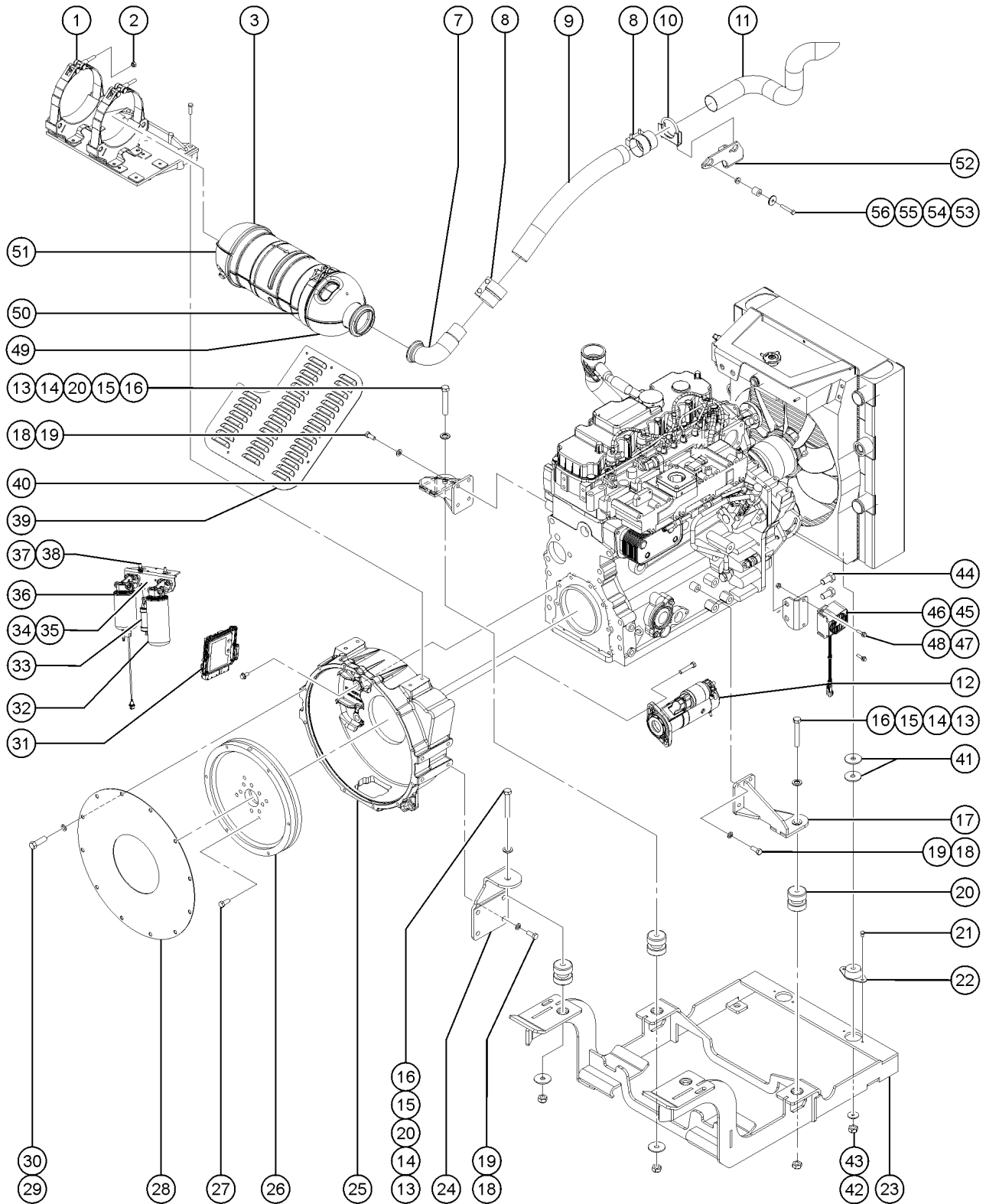
514.1 Deutz TCD 3.6 Tier IV Engine, View 1



## 514.1 Deutz TCD 3.6 Tier IV Engine, View 1

Item	Part No.	Description	Qty.
--	1257363GT	HOSE,COMP,TCD3.6,T4F.....1 <i>(hose from expansion tank to water pump)</i>	1
--	1266688GT	SLEEVE,COMP HOSE,TCD3.6,T4F.....1 <i>(protects hose 1257363GT)</i>	1
--	1279631GT	PULLEY,BELT TENSIONER,D2.9L4	
1	236273GT	PIPE,CAC INLET,DEUTZ TCD3.6.....1	1
2	215216GT	CLAMP,HOSE,CT,SAE 262,1-3/4" T.....8	8
3	215217GT	COUPLING,CAC,1.75X3.5 LONG.....1	1
4	218714GT	CAP,RADIATOR,DEUTZ TCD3.6.....1	1
5	236242GT	RADIATOR/HOC/CAC,DEUTZ TCD3.6...1	1
--	1273074GT	SIGHT GLASS KIT.....1	1
--	218715GT	SENSOR,COOLANT LEVEL, DEUTZ	
--	824774GT	FAN GUARD,WIRE,DEUTZ TCD3.6	
6	119219GT	TRIM,EDGE,1/8X3/4 END BULB.....73-inches	
7	1254530GT	PLATE,RAD BAFFLE,TOP,TCD3.6.....1	1
8	6888GT	SCREW,HHC,1/4-20 X 1	
9	6638GT	WASHER,FLAT,USS,1/4"Y	
10	56912GT	SPRING CLIP,1/4-20,.025-.15X.54,ZAG	
11	216179GT	PLATE,RAD. BAFFLE,TCD3.6.....1	1
12	119219GT	TRIM,EDGE,1/8X3/4 END BULB.....67-inches	
13	235478GT	FORMING,BAFFLE MOUNT,DEUTZ TCD.....2	2
14	215217GT	COUPLING,CAC,1.75X3.5 LONG.....1	1
15	236274GT	PIPE,CAC OUTLET,DEUTZ TCD3.6.....1	1
16	215217GT	COUPLING,CAC,1.75X3.5 LONG.....1	1
17	236271GT	HOSE,RAD. INLET,DEUTZ TCD3.6.....1	1
18	236243GT	OIL PAN,DEUTZ TCD3.6.....1	1
19	50793GT	SCREW,HHC,5/16-18 X 2.....2	2
20	5397GT	WASHER,FLAT,USS,5/16",Y	
21	6782GT	NUT,NYLOCK,5/16-18	
22	236333GT	PLATE,UPPER RADIATOR SUPPORT...1	1
23	49378GT	SCREW,HHC,M8 X 16.....2	2
24	236332GT	FORMING,UPPER RADIATOR SUPPORT.....1	1
--	236334GT	ISOLATOR,UP RADIATOR SUPPORT	
25	236272GT	HOSE,RAD. OUTLET,DEUTZ TCD3.6.....1	1
--	161387GT	ASSY, BLOCK HTR, DEUTZ.....1 <i>Includes the IN-LINE (hose) heater part 161373 and 2 clamps part 45435</i>	1
26	215219GT	SLEEVE,TUBE,CAC TURBO,TCD3.6.....1	1
--	825249GT	PIPE,DOC EXHAUST ELBOW.....1	1

515.1 Deutz TCD 3.6 Tier IV Engine, View 2



## 515.1 Deutz TCD 3.6 Tier IV Engine, View 2

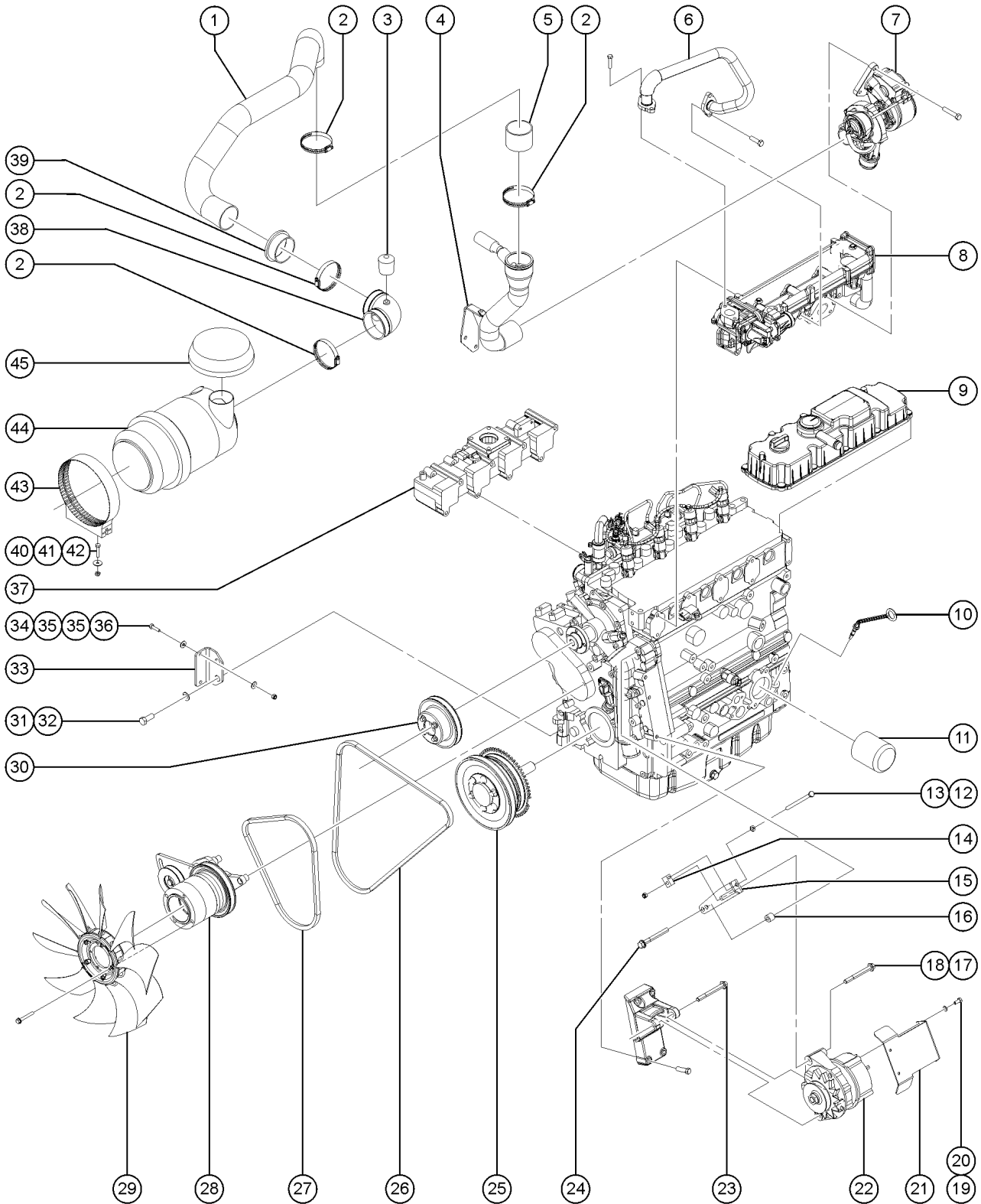
Item	Part No.	Description	Qty.	Item	Part No.	Description	Qty.
--		<i>Due to Tier 4 regulations, many engine replacement parts require the engine serial number at time of order placement. When ordering engine parts please have both machine and engine serial numbers available. For internal engine parts, contact engine dealer</i>		--	8915GT	SCREW,HHC,1/4-20 X 1.25	
1	219330GT	CASTING,DOC MTG,TCD3.6,10K.....1 (includes item 2)	1	32	236266GT	ASSY, FUEL FILTER TCD 3.6.....1 (includes filter head, spin-on filter)	1
2	22571GT	NUT,HEX,M8 X 1.25.....2	2	--	823057GT	FILTER,FUEL,SPIN-ON TCD3.6 (spin-on filter)	
3		Ref., MUFFLER,DOC,DEUTZ TCD3.6,T4I.....1 (Order items 49, 50,51)	1	--	824673GT	SENSOR,LOW PRESSURE,DEUTZ 2.9L	
7	214354GT	PIPE,DOC OUTLET ELBOW.....1	1	33	236259GT	LIFT PUMP,FUEL,DEUTZ.....1	1
7A	825015GT	CLAMP, 50MM V to join muffler to 214354 elbow		--	823421-1750GT	HOSE,FUEL, 1/2, GATES RLA.....1 (hose from fuel pump 236259GT to the fuel filter 236266GT)	1
8	234962GT	CLAMP,EXHAUST,2.5".....1	1	34	825048GT	FORMING,FILTER MOUNT,DEUTZ,10K.....1	1
9	824818GT	TUBE,EXST,FLEX-PIPE,TCD3.6T4I.....1	1	35	105214GT	CABLE TIE MOUNT, WINGED.....1	1
10	71911GT	CLAMP,MUFFLER, 2.50 INCH.....1	1	36	1261239GT	ASSY,FUEL PREFILTER,DEUTZ 2.9.....1 (includes head, filter, WIF sensor)	1
11	824326GT	PIPE, TAILPIPE.....1	1	--	074501.0291GT	SENSOR (water-in-fuel sensor w/cable)	
12	236247GT	STARTER,4KW,DEUTZ TCD3.6.....1	1	--	236260GT	PRE-FILTER,FUEL,DEUTZ TCD3.6	
--	824987GT	RELAY,STARTER,DEUTZ.....1	1	37	122202GT	SCREW,FLANGE,HHC,3/8-16X1.25	
13	53909GT	SCREW,HHC,5/8-11 X 4.0 GR8.....4	4	38	48425GT	NUT,FLG-LRG,3/8-16,YZ	
14	13064GT	WASHER,FLAT,625 HARDENED		39	237872GT	FORMING, ENG COVER, DEUTZ-JD.....1	1
15	33418GT	WASHER,FLAT,625 X 2.25 X.15		40	218702GT	LEFT ENGINE MOUNT, DEUTZ TCD3.6.....1	1
16	6024GT	NUT,NYLOCK,5/8-11		41	15086GT	WASHER,FLAT,375 X 1.5 X .125	
17	218703GT	RIGHT ENGINE MOUNT, DEUTZ TCD3.6.....1	1	42	6021GT	WASHER,LOCK,375	
18	49381GT	SCREW,HHC,M12 X 30		43	6022GT	NUT,HEX,3/8-16	
19	49410GT	WASHER,FLAT,M12		44	1255807GT	SCREW,HHF,M16-2.0X30,DIN6921,1.....2	2
20	117779GT	ISOLATOR,RUBBER,TRANS.....4	4	45	824079GT	SCREW,HHF,1/4-20X1,8,ZAG.....2	2
21	18544GT	SCREW,SHC,5/16-18 X .5		46	824027GT	NUT,TL FLG,1/4-20,G,ZAG.....2	2
22	218713GT	LOWER RAD ISOLATORS, DEUTZ TCD3.6.....2	2	47	219457GT	HARNES, BACKUP ALARM.....1 (includes alarm)	1
23	219322GT	ENGINE SKID, DEUTZ TCD 3.6.....1	1	48	1254543GT	BRACKET,BACK UP ALARM.....1	1
24	218709GT	MTG,L,FLYWHEEL HSNG,10K,TCD3.6.....1	1	49		Ref., MUFFLER,DOC,DEUTZ TCD3.6,T4I.....1 (items 49 and 51. PN 1251756GT is a Svc. kit that replaces the original exhaust pipe and eliminate the exhaust bracket)	1
--	825551GT	MTG,RIGHT,FLYWHEEL HSNG,10K,TCD3.6.....1	1	49	825515GT	OUTLET, DOC, DEUTZ TCD 3.6.....1	1
25	219321GT	FLYWHL HOUSING, DTZ TCD3.6, 10K.....1	1	--	1251756GT	KIT, EXHST, TCD3.6, T4, 10K, SVC (Product enhancement that replaces the original exhaust pipe and eliminates the exhaust bracket)	
26	1259660GT	FLYWHEEL, SAE 8/10.....1	1	--	825518GT	LOCK,OUTLET,DOC,DTZ TCD 3.6.....2	2
27	141233GT	BOLT, 10X20MM X 10.9GR FLANGE....4	4	50	825516GT	CLAMP,OUTLET,DOC,DTZ TCD 3.6.....1	1
28	1254529GT	PLATE,PERKINS FLYWHEEL COVER....1	1	51	1262890GT	OXIDATION CATALYST,DEUTZ.....1 (diesel oxygen catalyst, aka muffler)	1
29	85099GT	SCREW,SHC,M8X1.25X20,GR 12.9		--	825517GT	GASKET,OUTLET,DOC,DTZ,TCD 3.6.....1	1
30	49408GT	WASHER,LOCK,M8		--	825519GT	LOCK,INLET,DOC,DTZ TCD 3.6.....2	2
31		ECM, DEUTZ TCD3.6 T4I, 10K.....1 (contact Genie Service Parts for assistance)	1				

515.1 Deutz TCD 3.6 Tier IV Engine, View 2  
(continued)

Item	Part No.	Description	Qty.
52	824327GT	FRMNG,EXST,TCD3.6,T4,10K.....	1
53	6708GT	SCREW,HHC,3/8-16 X 2.25.....	2
54	15086GT	WASHER,FLAT,.375 X 1.5 X .125.....	2
55	824348GT	BUSHING,RUBBER,1"ODX.510"IDX1"...	2
56	48425GT	NUT,FLG-LRG,3/8-16,YZ.....	2

***This Page Intentionally Left Blank***

516.1 Deutz TCD 3.6 Tier IV Engine, View 3

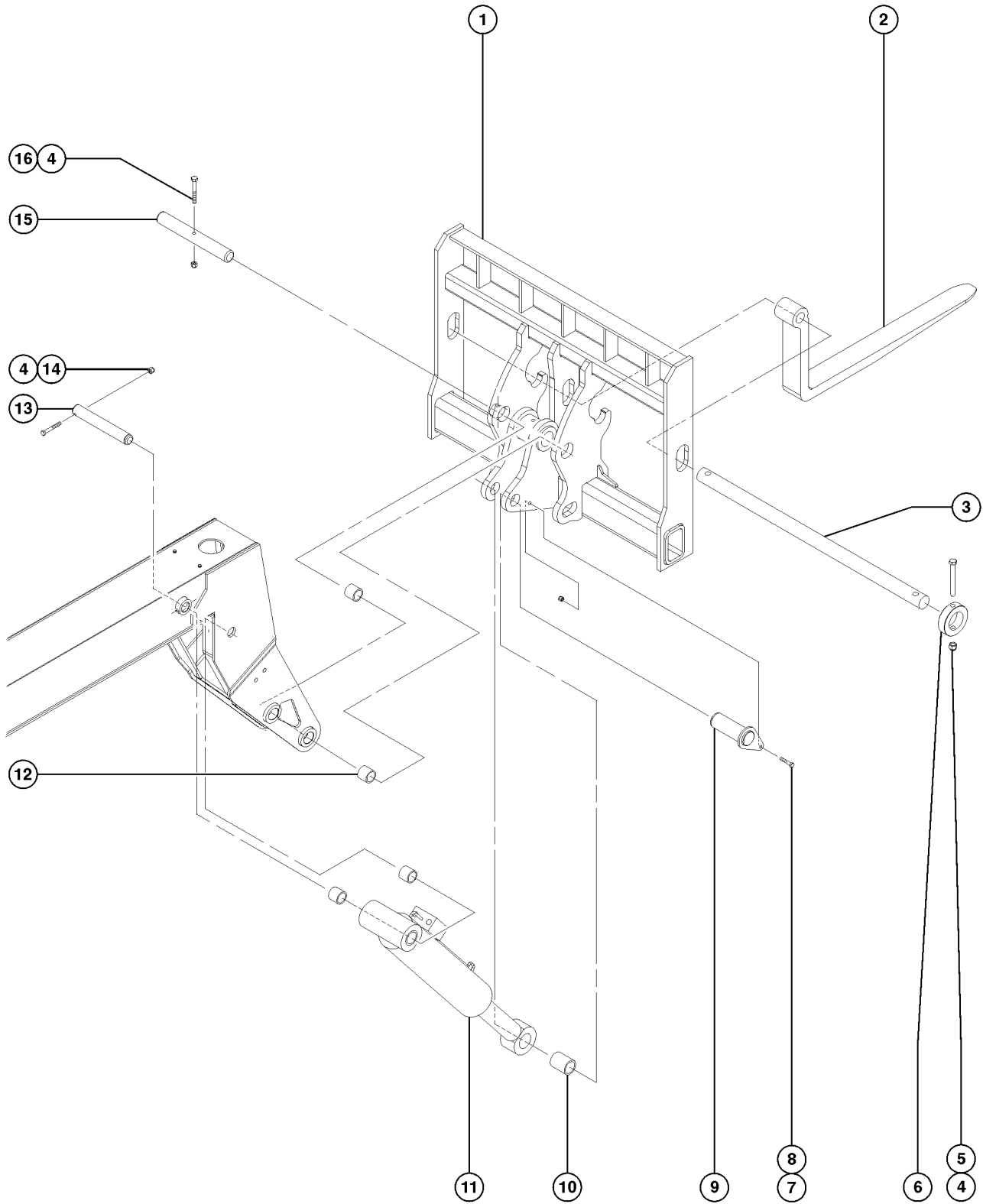




## 516.1 Deutz TCD 3.6 Tier IV Engine, View 3

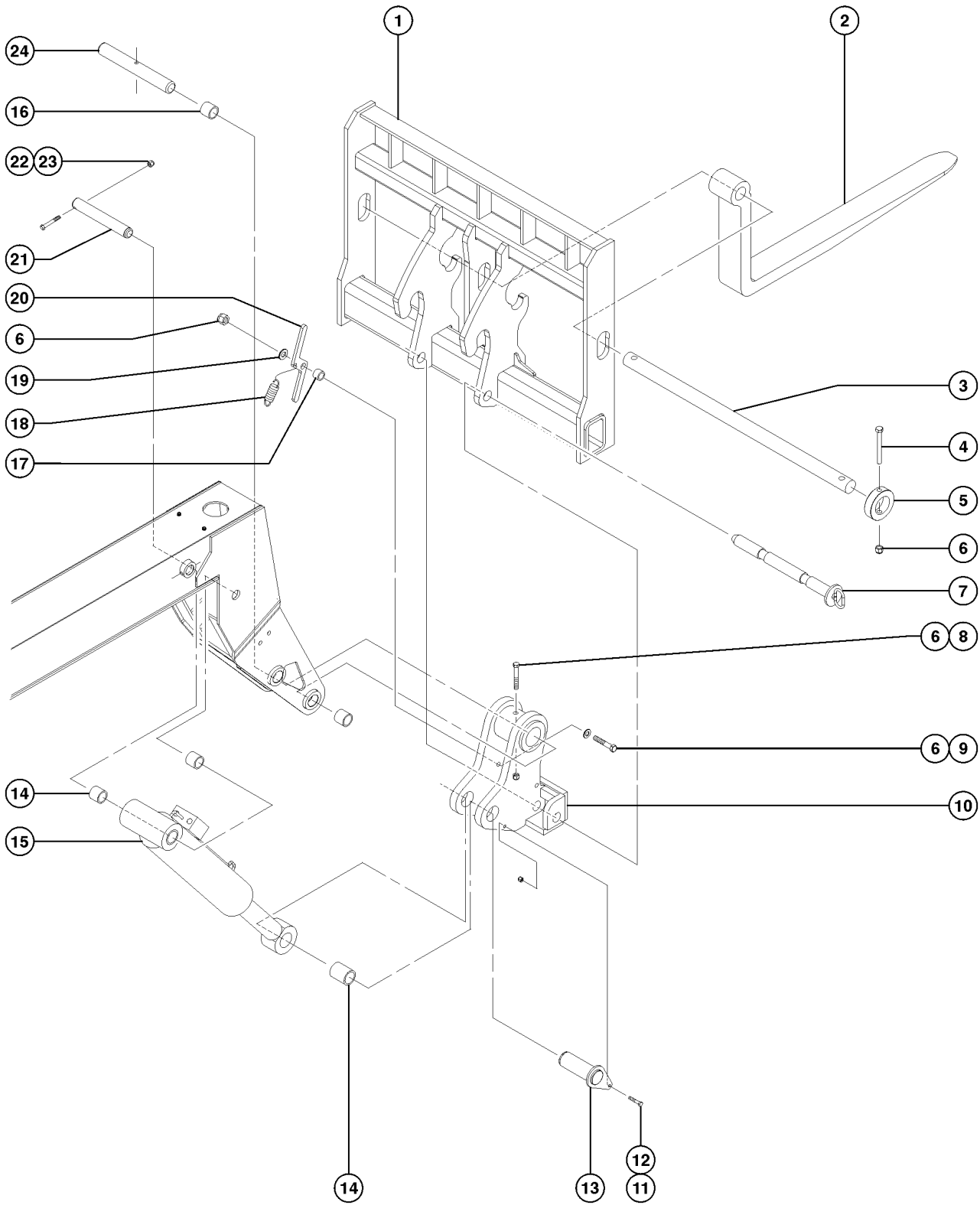
Item	Part No.	Description	Qty.	Item	Part No.	Description	Qty.
--		<i>Due to Tier 4 regulations, many engine replacement parts require the engine serial number at time of order placement. When ordering engine parts please have both machine and engine serial numbers available. For internal engine parts, contact engine dealer</i>		25	236244GT	PULLEY,CRANKSHAFT,DEUTZ TCD3.6.....	1
--	219334GT	HARNESS,ENGINE BASE,TCD3.6.....	1	26	236267GT	V-BELT,ALTERNATOR,DEUTZ TCD3.6.....	1
1	1263154GT	PIPE,TURBO INLET,TCD3.6,10K.....	1	27	236268GT	V-BELT,RADIATOR FAN,DEUTZ TCD3.....	1
2	30489GT	CLAMP,HOSE,3.50.....	4	28A	236245GT	PULLEY ASSEMBLY,RADIATOR FAN,T.....	1
3	117588GT	GAUGE, AIR RESTRICT,90M-BAR.....	1	28B	1275970GT	PULLEY,TENSIONING,RAD.FAN,TC3.6L	
4	219325GT	ASSY,TURBO INLET,TCD3.6,10K.....	1	28C	1275971GT	BRACKET, PULLEY	
5	130179GT	UPPER CAC PIPE CONNECTORS.....	1	29	219329GT	FAN,RADIATOR,DEUTZ TCD3.6, 10K....	1
6	219327GT	PIPE,EGR TUBE DEUTZ TD3.6,10K.....	1	30	236248GT	PULLEY ASSEMBLY,ALTERNATOR,TCD.....	1
--	1272577GT	GASKET,EGR TUBE DEUTZ TD3.6,10...2 <i>order with 2ea gasket 1272577 sold separately</i>	2	31	49381GT	SCREW,HHC,M12 X 30	
7	236258GT	TURBOCHARGER,DEUTZ TCD3.6.....	1	32	49409GT	WASHER,LOCK,M12	
--	1270487GT	EGR COOLER, DEUTZ TCD3.6		33	161853GT	BACK UP ALARM BRACKET.....	1
--	236254GT	MANIFOLD,EXHAUST,DEUTZ TCD3.6.....	1	34	6888GT	SCREW,HHC,1/4-20 X 1	
8	219328GT	PIPES, EXHAUST MAN., TCD3.6 8K		35	6638GT	WASHER,FLAT,USS,1/4"Y	
9	236246GT	VALVE COVER,DEUTZ TCD3.6.....	1	36	6091GT	NUT,NYLOCK,1/4-20	
10	236255GT	DIPSTICK,OIL,DEUTZ TCD3.6.....	1	37	236252GT	MANIFOLD,INTAKE,DEUTZ TCD3.6.....	1
11	49924GT	FILTER,OIL,DEUTZ F4L1011F.....	1	38	219323GT	ELBOW, 90 DEG W/PORT.....	1
--	1255653GT	FILTER,OIL,DEUTZ,REPLACEMENT <i>GENIE GENUINE PART. SEE PN 1255653 FOR COMPATIBLE AFTERMARKET REPLACEMENT.</i>	1	39	88064GT	REDUCER,3" TO 2.75".....	1
12	218718GT	HEX BOLT, TCD3.6 ALT		40	13000GT	SCREW,HHC,5/16-18 X 1.25	
13	218719GT	WASHER, TCD3.6 ALT		41	5397GT	WASHER,FLAT,USS,5/16",Y	
14	218717GT	THREADED PIECE, TCD3.6 ALT.....	1	42	6782GT	NUT,NYLOCK,5/16-18	
15	218716GT	CLAMPING STRAP, TCD3.6 ALT.....	1	43	7-109-03GT	MOUNTING BAND, SMALL BASE.....	1
16	218722GT	SPACER SLEEVE, TCD3.6 ALT.....	1	44	123806GT	AIR CLEANER, M&H400, MIRROR IN....	1
17	218723GT	HEX BOLT, TCD3.6 ALT		--	1281129GT	END CAP, AIR CLEANER 123806 <i>for 123806</i>	
18	218724GT	HEX NUT, TCD3.6 ALT		--	7-109-04GT	FILTER ELEMENT / PRIMARY.....	1
19	67537GT	SCREW,HHC,M5 X 12MM		--	7-109-14GT	SAFETY ELEMENT.....	1
20	49413GT	WASHER,FLAT, M5 YELLOW ZINC				<i>for 123806</i>	
21	1251993GT	FORMING,ALTERNATOR GRD,TCD3.6.....	1	45	7-109-02GT	RAIN CAP W/CLAMP.....	1
--	1263499GT	KIT, GUARD, ALTERNATOR, TCD3.6.....	1				
22	236251GT	ALTERNATOR,95 AMP,DEUTZ.....	1				
23		HEX BOLT, TCD3.6 ALT					
24		HEX BOLT, TCD3.6 ALT					

601.1 Fork Frame, Standard



Item	Part No.	Description	Qty.
1	130984GT	WELDMENT,48"CARRIAGE,PIN ON.....1	
1A	130983GT	WELDMENT,60"CARRIAGE,PIN ON	
1B	130982GT	WELDMENT,72"CARRIAGE,PIN ON	
2	1254548GT	WELDMENT,FORK TINE,48".....2	
2A	1254549GT	WELDMENT,FORK TINE,60"	
2B	1254550GT	WELDMENT,FORK TINE,72"	
2C	1254551GT	WELDMENT,FORK TINE,48" CUBING,	
2D	1254552GT	WELDMENT,FORK TINE,60" TAPERED	
2E	1254553GT	WELDMENT,FORK TINE,LUMBER	
3	141002GT	PIN,FORK,48" FORK FRAME <i>pin measures 52 x 2.25 inches</i>	
3A	141003GT	PIN,FORK,60" FORK FRAME <i>pin measures 64 x 2.25 inches</i>	
3B	141004GT	PIN,FORK,72" FORK FRAME <i>pin measures 76 x 2.25 inches</i>	
4	117493GT	NUT,NYLOCK,1/2-13,GR8.....2	
5	13854GT	SCREW,HHC,1/2-13 X 4.5,GRD.8.....4	
6	1-1113GT	COLLAR,FORK TINE PIN	
7	5224GT	SCREW,HHC,3/8-16 X 2.....4	
8	4828GT	NUT,NYLOCK,3/8-16.....1	
9	141949GT	WELDMENT,TILT PIN,KIT	
--	123188GT	BEARING,2.00IDX2.50ODX1.50L.....2	
10	123188GT	BEARING,2.00IDX2.50ODX1.50L.....1	
11	1253245GT	CYLINDER,TILT,1056/844 <i>(Replaces cylinder 108811 at SN GTH1015E-10978)</i>	
--	123188GT	BEARING,2.00IDX2.50ODX1.50L	
--	123897GT	VALVE,CB.CACG-LGN@4200 <i>for 1253245</i>	
--	1258122GT	SEAL KIT,TILT CYLINDER 1253245.....1 <i>(Seal kit for cylinder 1253245)</i>	
--	130416GT	SEAL KIT, CYLINDER T109799 <i>(Seal kit for cylinder 108811- used in machines before SN GTH1015E-10978)</i>	
12	108864GT	BEARING,2.50IDX3.00 ODX1.50LG	
13A	108857GT	PIN,2.00DIAX13.88LG,1HOLE.....1	
14	6732GT	SCREW,HHC,1/2-13 X 3.25	
15	130944GT	PIN,2.50DIAX15.38LG,1HOLE	
16	96430GT	SCREW,HHC,1/2-13 X 5	

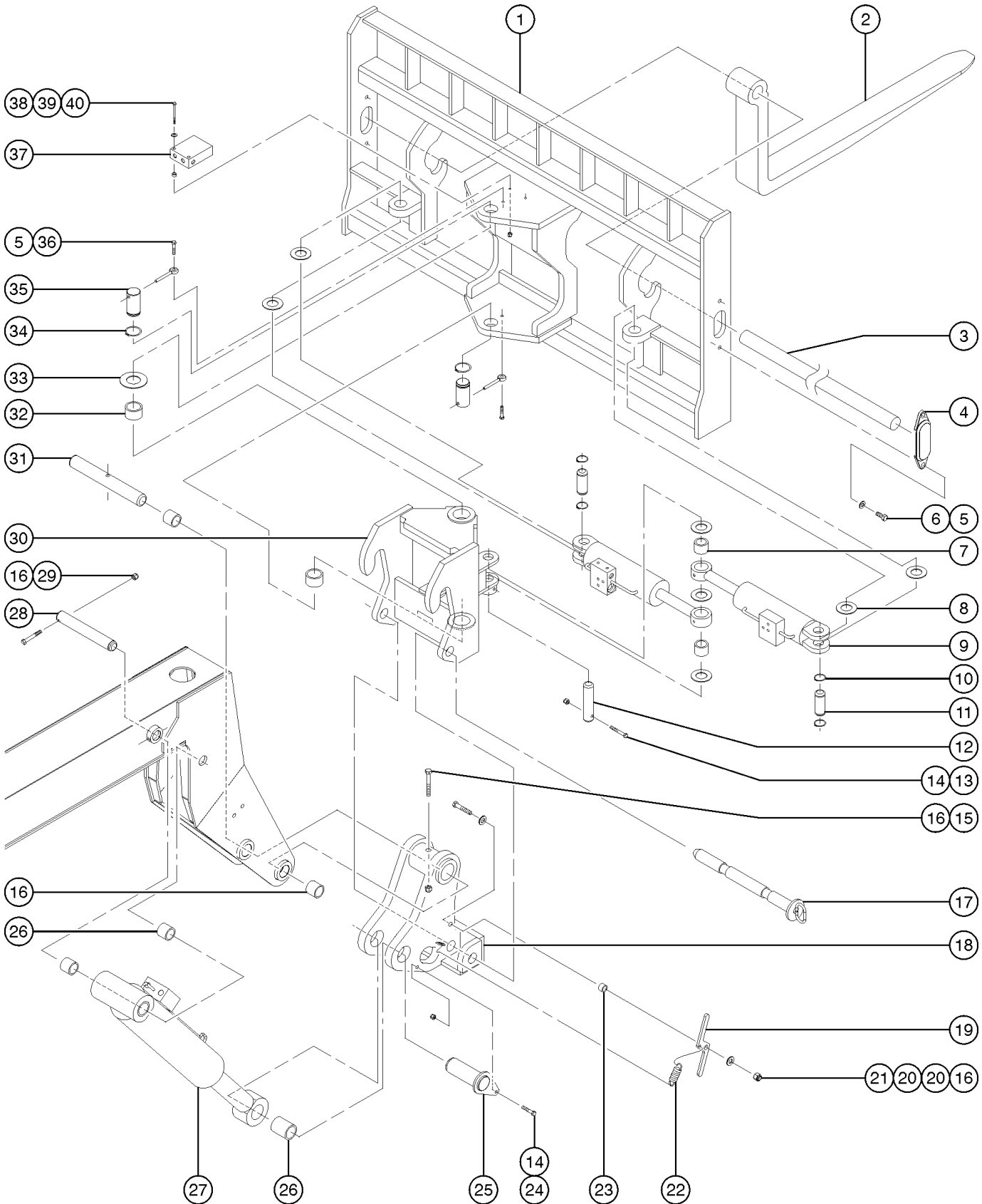
602.1 Fork Frame, Quick Attachment



## 602.1 Fork Frame, Quick Attachment

Item	Part No.	Description	Qty.
1	130981GT	WELDMEMT,48"CARRIAGE,QA.....1	
1A	130980GT	WELDMEMT,60"CARRIAGE,QA	
1B	130979GT	WELDMEMT,72"CARRIAGE,QA	
2	1254548GT	WELDMENT,FORK TINE,48".....2	
2A	1254549GT	WELDMENT,FORK TINE,60"	
2B	1254550GT	WELDMENT,FORK TINE,72"	
2C	1254551GT	WELDMENT,FORK TINE,48" CUBING,	
2D	1254552GT	WELDMENT,FORK TINE,60" TAPERED	
2E	1254553GT	WELDMENT,FORK TINE,LUMBER	
3	141002GT	PIN,FORK,48" FORK FRAME.....1 <i>pin measures 52 x 2.25 inches</i>	
3A	141003GT	PIN,FORK,60" FORK FRAME <i>pin measures 64 x 2.25 inches</i>	
3B	141004GT	PIN,FORK,72" FORK FRAME <i>pin measures 76 x 2.25 inches</i>	
4	13854GT	SCREW,HHC,1/2-13 X 4.5,GRD.8.....2	
5	1-1113GT	COLLAR,FORK TINE PIN.....2	
6	117493GT	NUT,NYLOCK,1/2-13,GR8.....5	
7	3-1335GT	LOCK PIN.....1	
8	96430GT	SCREW,HHC,1/2-13 X 5.....1	
9	39479GT	SCREW,HHC,1/2-13 X 2.75.....1	
10	130855GT	WELDMENT,QA MOUNT.....1	
11	5224GT	SCREW,HHC,3/8-16 X 2.....1	
12	4828GT	NUT,NYLOCK,3/8-16.....1	
13	141949GT	WELDMENT,TILT PIN,KIT	
14	123188GT	BEARING,2.00IDX2.50ODX1.50L.....4	
15	1253245GT	CYLINDER,TILT,1056/844.....1 <i>(Replaces cylinder 108811 at SN GTH1015E-10978)</i>	
--	123897GT	VALVE,CB.CACG-LGN@4200 <i>for 1253245</i>	
--	1258122GT	SEAL KIT,TILT CYLINDER 1253245 <i>(Seal kit for cylinder 1253245)</i>	
--	130416GT	SEAL KIT, CYLINDER T109799 <i>(Seal kit for cylinder 108811- used in machines before SN GTH1015E-10978)</i>	
16	108864GT	BEARING,2.50IDX3.00 ODX1.50LG.....4	
17	123501GT	TUBE,QA LOCK LEVER SPACER.....1	
18	123500GT	SPRING.....1	
19	13066GT	WASHER,FLAT,5 HARDENED.....2	
20	123378GT	PLATE,QA LOCK SPRING LEVER.....1	
21	108857GT	PIN,2.00DIA X 13.88LG,1HOLE.....1	
22	6198GT	NUT,NYLOCK,1/2-13	
23	6732GT	SCREW,HHC,1/2-13 X 3.25.....1	
24	130944GT	PIN,2.50DIA X 15.38LG,1HOLE.....1	

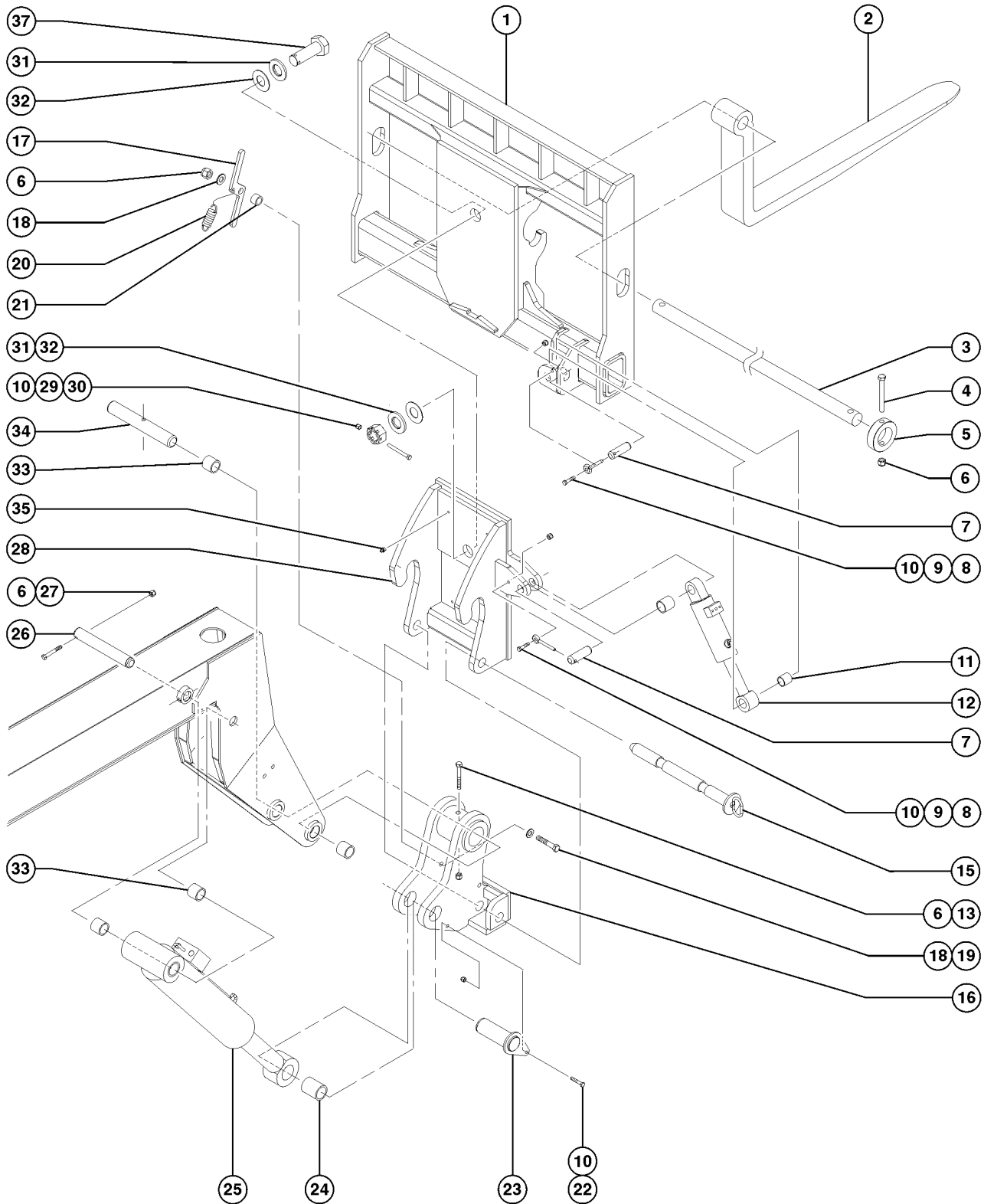
603.1 Fork Frame, Swing Carriage Attachment



## 603.1 Fork Frame, Swing Carriage Attachment

Item	Part No.	Description	Qty.	Item	Part No.	Description	Qty.
--	123897GT	VALVE,CB.CACG-LGN@4200 <i>for 1253245</i>		33	130319GT	WASHER,THRUST.....	1
1	130989GT	WELDMENT,72" CARRIAGE, SWING.....	1	34	18716GT	SNAP RING,EXTERNAL,2.00 DIA.....	1
2	125455GT	WELDMENT,FORK TINE,72".....	2	35	128038GT	PIN,2.00DIA X 5.75LG,1HOLE/1RING....	2
3	141004GT	PIN,FORK,72" FORK FRAME..... <i>pin measures 76 x 2.25 inches</i>	1	36	6-5206-40GT	SCREW,HHC,3/8-16X5.00,GR8.....	2
4	13854GT	SCREW,HHC,1/2-13 X 4.5,GRD.8.....	2	37	7-234-04GT	VALVE,DUAL CHECK.....	1
5	1-1113GT	COLLAR,FORK TINE PIN.....	2	38	6-5205-05GT	SCREW,HHC,5/16-18X5/8,GR8.....	2
6	117493GT	NUT,NYLOCK,1/2-13,GR8.....	5	39	6886GT	WASHER,LOCK,.313.....	4
7	66055GT	BEARING,1.50IDX1.77ODX1.25L.....	2	40	6782GT	NUT,NYLOCK,5/16-18.....	2
8	6-6215-24GT	WASHER,FLAT,1 1/2.....	7				
9	162342GT	CYLINDER,SWING CARRIAGE..... <i>(replaced 123579)</i>	2				
--	138030GT	CARTRIDGE,CB,SW.CARRIAGE CYL.					
--	7-234-41GT	RELIEF VALVE					
10	18383GT	SNAP RING,EXTERNAL,1.5 DIA***.....	4				
11	130353GT	PIN,1.50DIA X 3.38LG,2RING.....	2				
12	130107GT	PIN,1.50DIA X 6.38LG,1HOLE.....	1				
13	21604GT	SCREW,HHC,3/8-16 X 3.25.....	1				
14	4828GT	NUT,NYLOCK,3/8-16.....	4				
15	96430GT	SCREW,HHC,1/2-13 X 5.....	1				
16	108864GT	BEARING,2.50IDX3.00 ODX1.50LG.....	4				
17	123499GT	LOCK PIN.....	1				
18	130855GT	WELDMENT,QA MOUNT.....	1				
19	123378GT	PLATE,QA LOCK SPRING LEVER.....	1				
20	39479GT	SCREW,HHC,1/2-13 X 2.75.....	1				
21	13066GT	WASHER,FLAT,.5 HARDENED.....	2				
22	123500GT	SPRING.....	1				
23	123501GT	TUBE,QA LOCK LEVER SPACER.....	1				
24	5224GT	SCREW,HHC,3/8-16 X 2.....	1				
25	108910GT	WELDMENT,TILT PIN.....	1				
26	123188GT	BEARING,2.00IDX2.50ODX1.50L.....	4				
27	1253245GT	CYLINDER,TILT,1056/844..... <i>(Replaces cylinder 108811 at SN GTH1015E-10978)</i>	1				
--	1258122GT	SEAL KIT,TILT CYLINDER 1253245 <i>(Seal kit for cylinder 1253245)</i>					
--	130416GT	SEAL KIT, CYLINDER T109799 <i>(Seal kit for cylinder 108811- used in machines before SN GTH1015E-10978)</i>					
28	117626GT	PIN,2.00DIA X 16.00LG,1HOLE..... <i>(GTH-1048)</i>	1				
29	6732GT	SCREW,HHC,1/2-13 X 3.25.....	1				
30	141074GT	WELDMENT,QA SWING COUPLER.....	1				
31	130944GT	PIN,2.50DIA X 15.38LG,1HOLE.....	1				
32	123188GT	BEARING,2.00IDX2.50ODX1.50L.....	2				

604.1 Fork Frame, Rotate Attachment

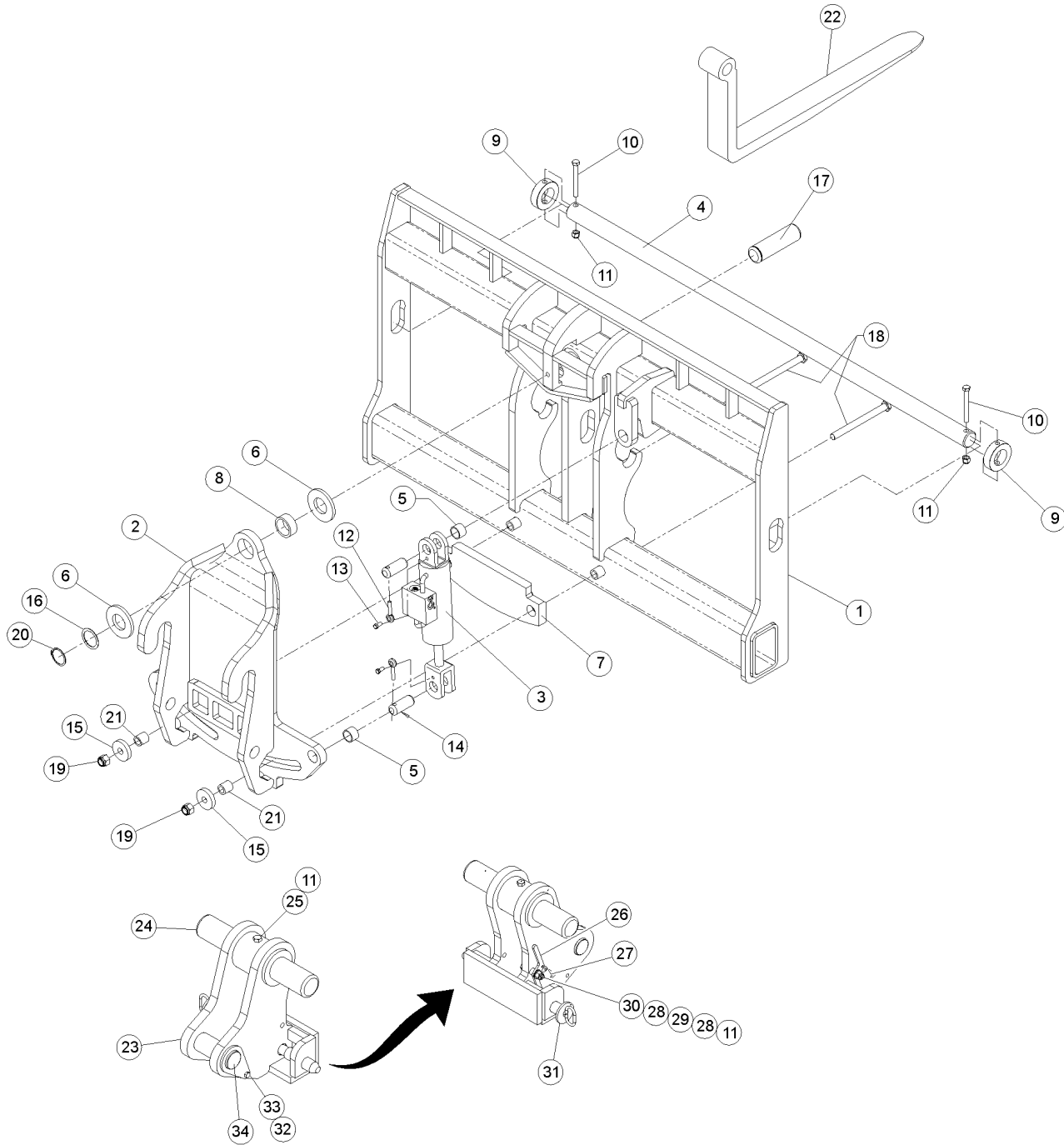




## 604.1 Fork Frame, Rotate Attachment

Item	Part No.	Description	Qty.	Item	Part No.	Description	Qty.
1	130987GT	WELDMENT,48"CARRIAGE,ROTATE.....1		37	141426GT	BOLT,HMB,2-12X5 7/8,GR8.....1	
2	1254548GT	WELDMENT,FORK TINE,48".....2					
3	141002GT	PIN,FORK,48" FORK FRAME.....1 <i>pin measures 52 x 2.25 inches</i>					
4	13854GT	SCREW,HHC,1/2-13 X 4.5,GRD.8.....2					
5	1-1113GT	COLLAR,FORK TINE PIN.....2					
6	117493GT	NUT,NYLOCK,1/2-13,GR8.....4					
7	123581GT	PIN,ROTATE CYLINDER.....2					
8	13918GT	SCREW,HHC,3/8-16 X 1.75,GRD.8.....1					
9	825019GT	ROD END,.375X3.69,ZAG.....2					
10	4828GT	NUT,NYLOCK,3/8-16.....3					
11	112732GT	BUSH,1.249 1.503 1.500L 660BRZ.....2					
12	123580GT	CYLINDER,ROTATE*** .....1 <i>(includes item 11)</i>					
13	96430GT	SCREW,HHC,1/2-13 X 5.....1					
15	3-1335-1GT	PIN,QUICK ATTACH LOCKING.....1					
16	130855GT	WELDMENT,QA MOUNT.....1					
17	123378GT	PLATE,QA LOCK SPRING LEVER.....1					
18	13066GT	WASHER,FLAT,5 HARDENED.....2					
19	39479GT	SCREW,HHC,1/2-13 X 2.75.....1					
20	123500GT	SPRING.....1					
21	123501GT	TUBE,QA LOCK LEVER SPACER.....1					
22	5224GT	SCREW,HHC,3/8-16 X 2.....1					
23	108910GT	WELDMENT,TILT PIN.....1					
24	123188GT	BEARING,2.00IDX2.50ODX1.50L.....1					
25	1253245GT	CYLINDER,TILT,1056/844.....1 <i>(Replaces cylinder 108811 at SN GTH1015E-10978)</i>					
--	123897GT	VALVE,CB.CACG-LGN@4200 <i>for 1253245</i>					
--	1258122GT	SEAL KIT,TILT CYLINDER 1253245 <i>(Seal kit for cylinder 1253245)</i>					
--	130416GT	SEAL KIT, CYLINDER T109799 <i>(Seal kit for cylinder 108811- used in machines before SN GTH1015E-10978)</i>					
26	108857GT	PIN,2.00DIAX13.88LG,1HOLE.....1					
27	6732GT	SCREW,HHC,1/2-13 X 3.25.....1					
28	130990GT	WELDMENT,CARRIAGE,PIVOT, ROT.....1					
29	141427GT	NUT,SLOTTED HEX,2UNC-12THD,GR8.....1					
30	6-5206-28GT	SCREW,HHC,3/8-16X3.5,GR8.....1					
31	1-1073GT	WASHER.....2					
32	123445GT	T WASHER,4.00X2.00X.125.....2					
33	108864GT	BEARING,2.50IDX3.00 ODX1.50LG.....2					
34	130944GT	PIN,2.50DIAX15.38LG,1HOLE.....1					
35	28646GT	ZERK,GREASE,1/8 NPT.....4					

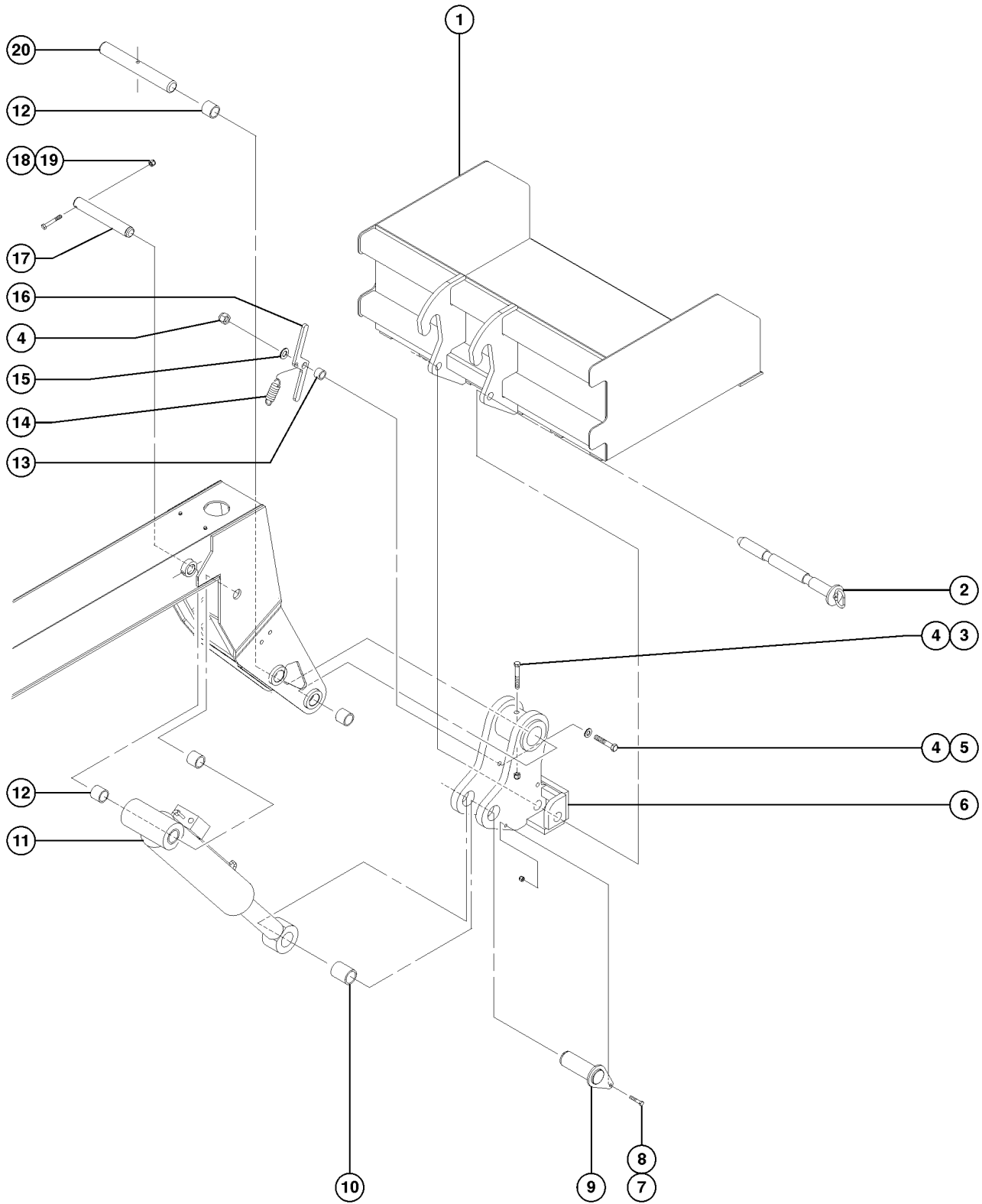
604.2 Fork Frame, Rotate Attachment



## 604.2 Fork Frame, Rotate Attachment

Item	Part No.	Description	Qty.	Item	Part No.	Description	Qty.
--	822267GT	ASSY, 48" ROT, CARRIAGE, 10K		29	123501GT	TUBE,QA LOCK LEVER SPACER.....1	1
--	822268GT	ASSY, 60" ROT, CARRIAGE, 10K		30	39479GT	SCREW,HHC,1/2-13 X 2.75.....1	1
--	822269GT	ASSY,72" ROT, CARRIAGE, 10K		31	3-1335GT	LOCK PIN.....1	1
--	822275GT	PLUMB ASSY, ROTATE		32	4828GT	NUT,NYLOCK,3/8-16.....3	3
1	822274GT	WELDMENT, 72" CARRIAGE, QA		33	5224GT	SCREW,HHC,3/8-16 X 2.....1	1
--	822262GT	WELDMENT, 48" CARRIAGE, QA.....1	1	34	141949GT	WELDMENT,TILT PIN,KIT.....1	1
--	822273GT	WELDMENT, 60" CARRIAGE, QA.....1	1				
2	822266GT	WELDMENT, CARRIAGE PIVOT,ROTATE.....1	1				
3	216571GT	CYLINDER, ROTATE.....1	1				
--	217158GT	SEAL KIT CYL ROTATE, 216571					
--	49130-3500GT	HOSE ASSY, 3/8, STR FEM, STR FEM.....2	2				
--	77014GT	VALVE,COUNTERBALANCE,3800 PSI.....2	2				
4	228391GT	PIN,FORK,60"FORK FRAME.....1 <i>pin measures 64 x 2.00 inches</i>	1				
--	228392GT	PIN,FORK,48"FORK FRAME.....1 <i>pin measures 52 x 2.00 inches</i>	1				
5	30370GT	BEARING,1.25IDX1.5ODX1.00L.....2	2				
6	216567GT	WEAR PAD, SPACER PIVOT.....2	2				
7	216568GT	WEAR PAD, LOWER ROTATE.....1	1				
8	T107482GT	BEARING,2.0 ID X 2.5 OD X 1.0L.....1	1				
9	1-1113GT	COLLAR,FORK TINE PIN.....2	2				
10	13854GT	SCREW,HHC,1/2-13 X 4.5,GRD.8.....2	2				
11	117493GT	NUT,NYLOCK,1/2-13,GR8.....2	2				
12	1255452GT	ROD END,.375 X 2.25,ZAG.....2	2				
13	94195GT	SCREW,HHC,3/8-16 X .75,GR 8.....2	2				
14	216635GT	PIN,1.25DIA X 3.15LG, 1 HOLE.....2	2				
15	215639GT	PLATE, RETAINER.....2	2				
16	216569GT	WASHER,HRDND,2.01X2.75X.06PLTD..1	1				
17	216570GT	PIN, 2.00 OD X 6.75 LG, 1 RING.....1	1				
18	823939GT	SCREW, HHC, 3/4-10 X 8.5, GR8.....2	2				
19	77051GT	NUT,NYLOCK,3/4-10,GRD.8.....2	2				
20	1253815GT	SNAP RING,EXTERNAL,2.00,ZAG.....1	1				
21	215638GT	TUBE, SPACER.....2	2				
22	1254549GT	WELDMENT,FORK TINE,60".....2	2				
22B	1254548GT	WELDMENT,FORK TINE,48".....2	2				
22D	1254550GT	WELDMENT,FORK TINE,72".....2	2				
23	130855GT	WELDMENT,QA MOUNT.....1	1				
24	130944GT	PIN,2.50DIA X 15.38LG,1HOLE.....1	1				
25	96430GT	SCREW,HHC,1/2-13 X 5.....2	2				
26	123378GT	PLATE,QA LOCK SPRING LEVER.....1	1				
27	123500GT	SPRING.....1	1				
28	13066GT	WASHER,FLAT,5 HARDENED.....2	2				

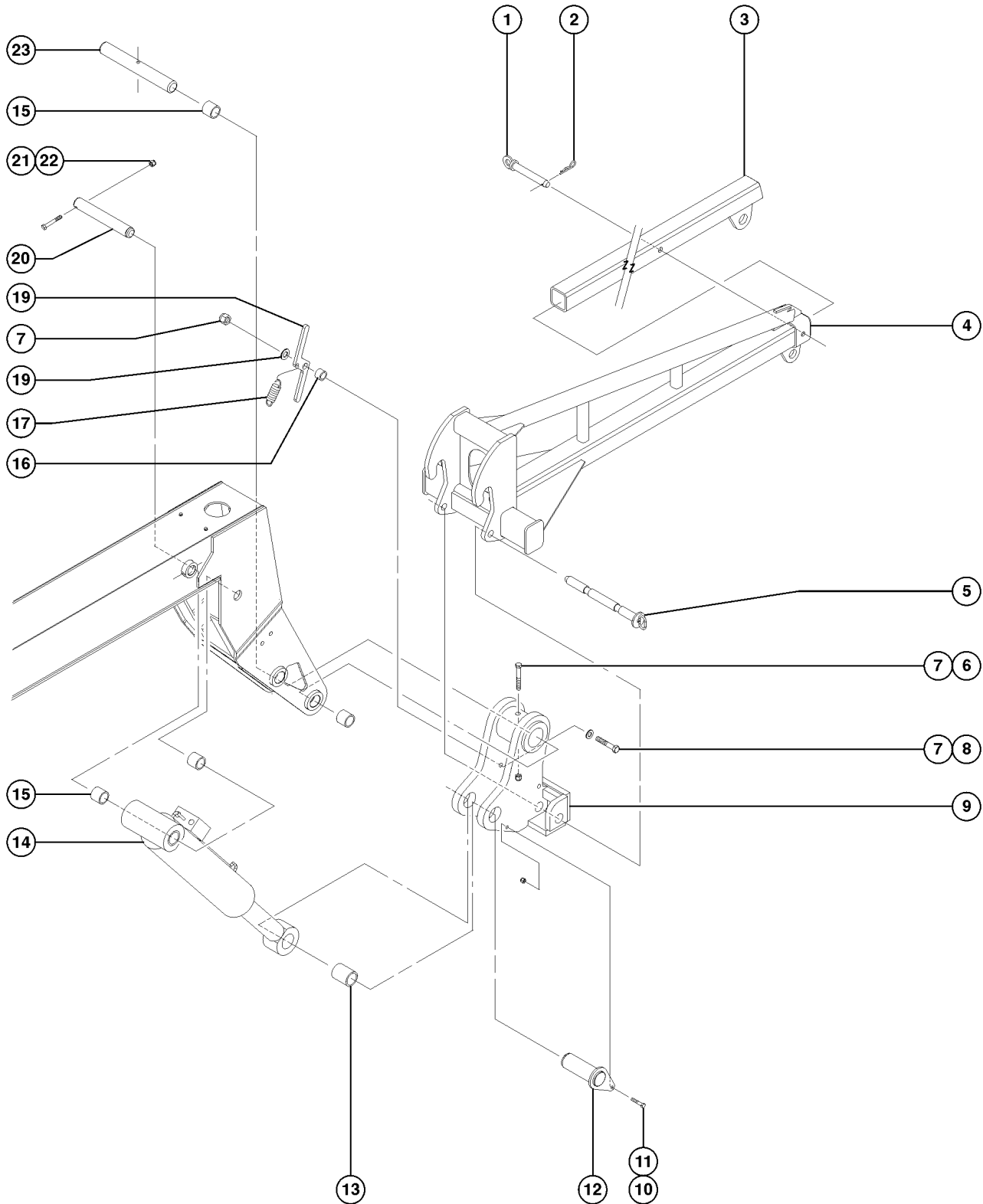
605.1 Rubbish Bucket, Quick Attachment



## 605.1 Rubbish Bucket, Quick Attachment

Item	Part No.	Description	Qty.
1	227118GT	ASSY, RUBISH BUCKET.....1 <i>(includes decals)</i>	1
2	3-1335GT	LOCK PIN.....1	1
--	1254050GT	WELDMENT,LOCK PIN	
3	96430GT	SCREW,HHC,1/2-13 X 5.....2	2
4	117493GT	NUT,NYLOCK,1/2-13,GR8.....1	1
5	39479GT	SCREW,HHC,1/2-13 X 2.75.....1	1
6	130855GT	WELDMENT,QA MOUNT.....1	1
7	5224GT	SCREW,HHC,3/8-16 X 2.....1	1
8	4828GT	NUT,NYLOCK,3/8-16.....1	1
9	141949GT	WELDMENT,TILT PIN,KIT.....1	1
10	123188GT	BEARING,2.00IDX2.50ODX1.50L.....4	4
11	1253245GT	CYLINDER,TILT,1056/844.....1 <i>(Replaces cylinder 108811 at SN GTH1015E-10978)</i>	1
--	123897GT	VALVE,CB.CACG-LGN@4200 <i>for 1253245</i>	
--	1258122GT	SEAL KIT,TILT CYLINDER 1253245 <i>(Seal kit for cylinder 1253245)</i>	
--	130416GT	SEAL KIT, CYLINDER T109799 <i>(Seal kit for cylinder 108811- used in machines before SN GTH1015E-10978)</i>	
12	108864GT	BEARING,2.50IDX3.00 ODX1.50LG.....4	4
13	123501GT	TUBE,QA LOCK LEVER SPACER.....1	1
14	123500GT	SPRING.....1	1
15	13066GT	WASHER,FLAT,.5 HARDENED.....1	1
16	123378GT	PLATE,QA LOCK SPRING LEVER.....1	1
17	117626GT	PIN,2.00DIAX16.00LG,1HOLE.....1 <i>(GTH-1048)</i>	1
18	6198GT	NUT,NYLOCK,1/2-13.....1	1
19	6732GT	SCREW,HHC,1/2-13 X 3.25.....1	1
20	130944GT	PIN,2.50DIAX15.38LG,1HOLE.....1	1

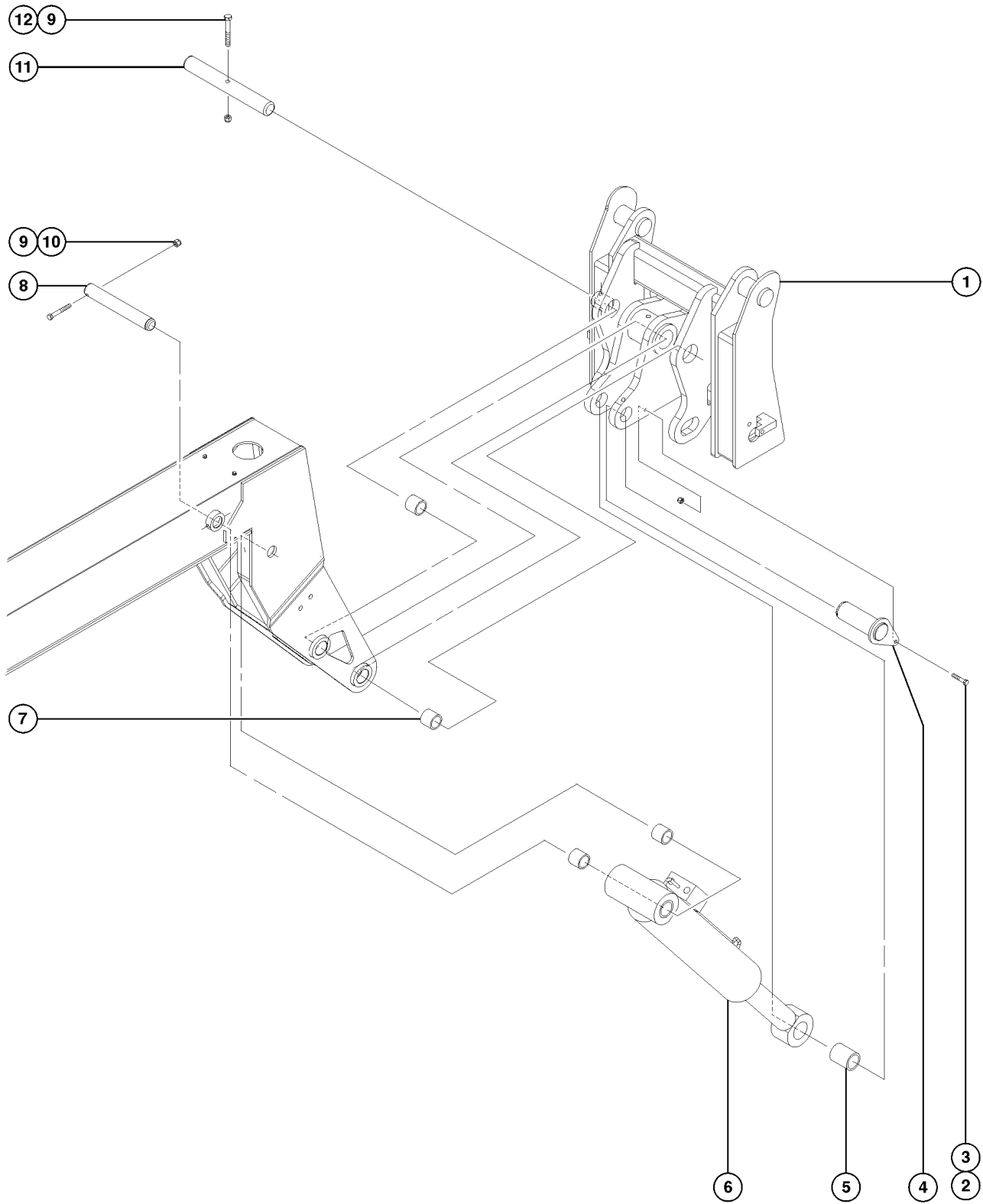
606.1 Truss Boom, Quick Attachment



## 606.1 Truss Boom, Quick Attachment

Item	Part No.	Description	Qty.
--	138082GT	SVC KIT TRUSS BOOM QA 10K <i>(includes items 1, 2, 3, 4, and decals)</i>	
1	3-1145-2GT	PIN,TRUSS BOOM,ADJUSTING.....1	1
2	7-194-39GT	COTTERPIN.....1	1
3	3-1136GT	MEMBER,TRUSS BOOM.....1	1
4	227119GT	ASSY, TRUSS BOOM.....1 <i>(includes decals)</i>	1
5	3-1335GT	LOCK PIN.....1	1
6	96430GT	SCREW,HHC,1/2-13 X 5.....1	1
7	117493GT	NUT,NYLOCK,1/2-13,GR8.....2	2
8	39479GT	SCREW,HHC,1/2-13 X 2.75.....1	1
9	130855GT	WELDMENT,QA MOUNT.....1	1
10	5224GT	SCREW,HHC,3/8-16 X 2.....1	1
11	4828GT	NUT,NYLOCK,3/8-16.....1	1
12	141949GT	WELDMENT,TILT PIN,KIT.....1	1
13	123188GT	BEARING,2.00IDX2.50ODX1.50L.....4	4
14	1253245GT	CYLINDER,TILT,1056/844.....1 <i>(Replaces cylinder 108811 at SN GTH1015E-10978)</i>	1
--	123897GT	VALVE,CB.CACG-LGN@4200 <i>for 1253245</i>	
--	1258122GT	SEAL KIT,TILT CYLINDER 1253245 <i>(Seal kit for cylinder 1253245)</i>	
--	130416GT	SEAL KIT, CYLINDER T109799 <i>(Seal kit for cylinder 108811- used in machines before SN GTH1015E-10978)</i>	
15	108864GT	BEARING,2.50IDX3.00 ODX1.50LG.....4	4
16	123501GT	TUBE,QA LOCK LEVER SPACER.....1	1
17	123500GT	SPRING.....1	1
18	13066GT	WASHER,FLAT,5 HARDENED.....1	1
19	123378GT	PLATE,QA LOCK SPRING LEVER.....1	1
20	108857GT	PIN,2.00DIA X13.88LG,1HOLE	
21	6198GT	NUT,NYLOCK,1/2-13	
22	6732GT	SCREW,HHC,1/2-13 X 3.25	
23	130944GT	PIN,2.50DIA X15.38LG,1HOLE.....1	1

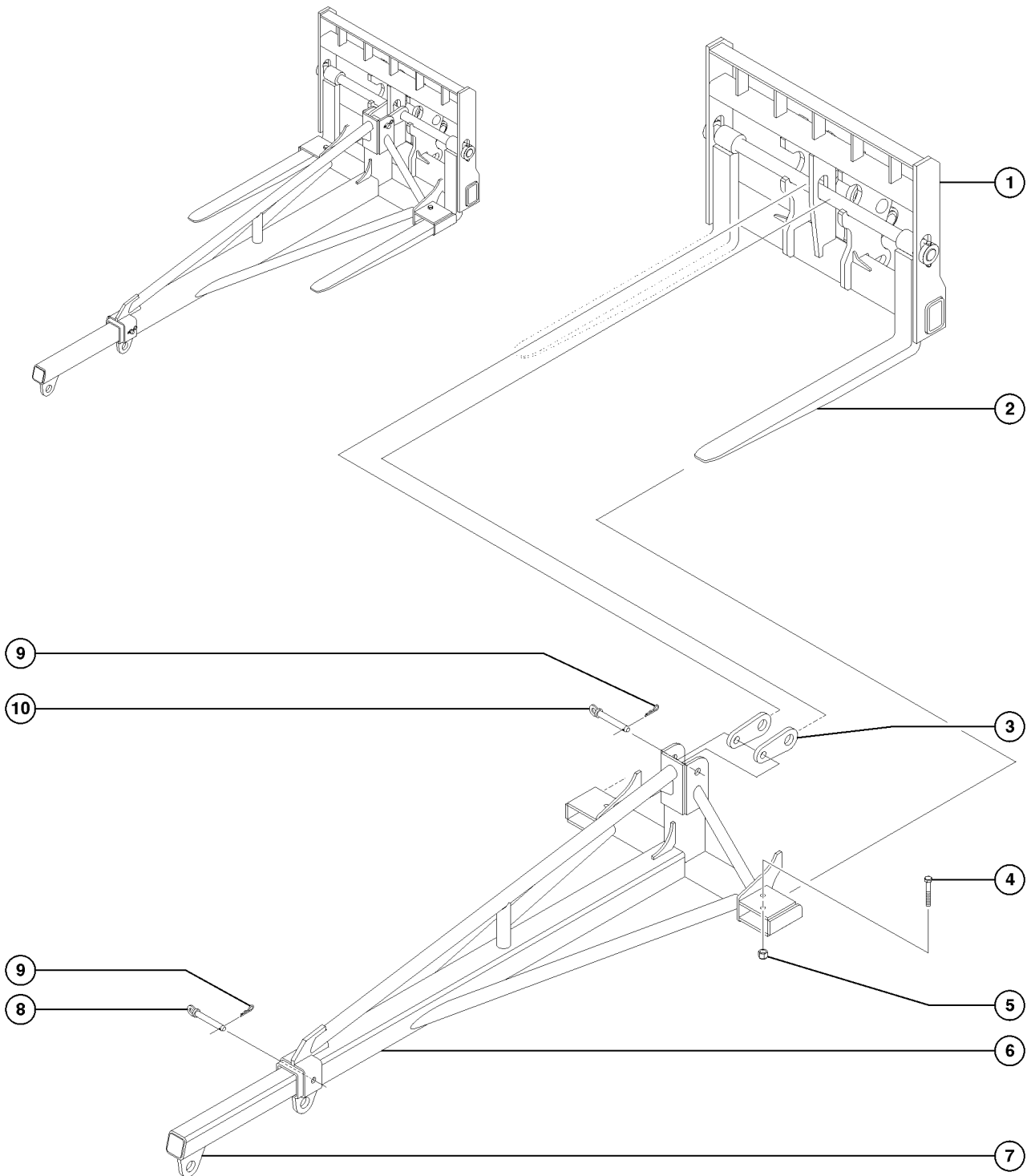
607.1 Cat Adapter





Item	Part No.	Description	Qty.
2	5224GT	SCREW,HHC,3/8-16 X 2.....1	1
3	4828GT	NUT,NYLOCK,3/8-16.....1	1
4	141949GT	WELDMENT,TILT PIN,KIT.....1	1
5	123188GT	BEARING,2.00IDX2.50ODX1.50L.....2	2
6	1253245GT	CYLINDER,TILT,1056/844.....1 <i>(Replaces cylinder 108811 at SN GTH1015E-10978)</i>	1
--	123188GT	BEARING,2.00IDX2.50ODX1.50L	
--	123897GT	VALVE,CB.CACG-LGN@4200 <i>for 1253245</i>	
--	1258122GT	SEAL KIT,TILT CYLINDER 1253245 <i>(Seal kit for cylinder 1253245)</i>	
--	130416GT	SEAL KIT, CYLINDER T109799 <i>(Seal kit for cylinder 108811- used in machines before SN GTH1015E-10978)</i>	
7	108864GT	BEARING,2.50IDX3.00 ODX1.50LG.....2	2
8	108857GT	PIN,2.00DIAX13.88LG,1HOLE.....1	1
9	117493GT	NUT,NYLOCK,1/2-13,GR8.....2	2
10	6732GT	SCREW,HHC,1/2-13 X 3.25.....1	1
11	130944GT	PIN,2.50DIAX15.38LG,1HOLE.....1	1
12	96430GT	SCREW,HHC,1/2-13 X 5.....1	1

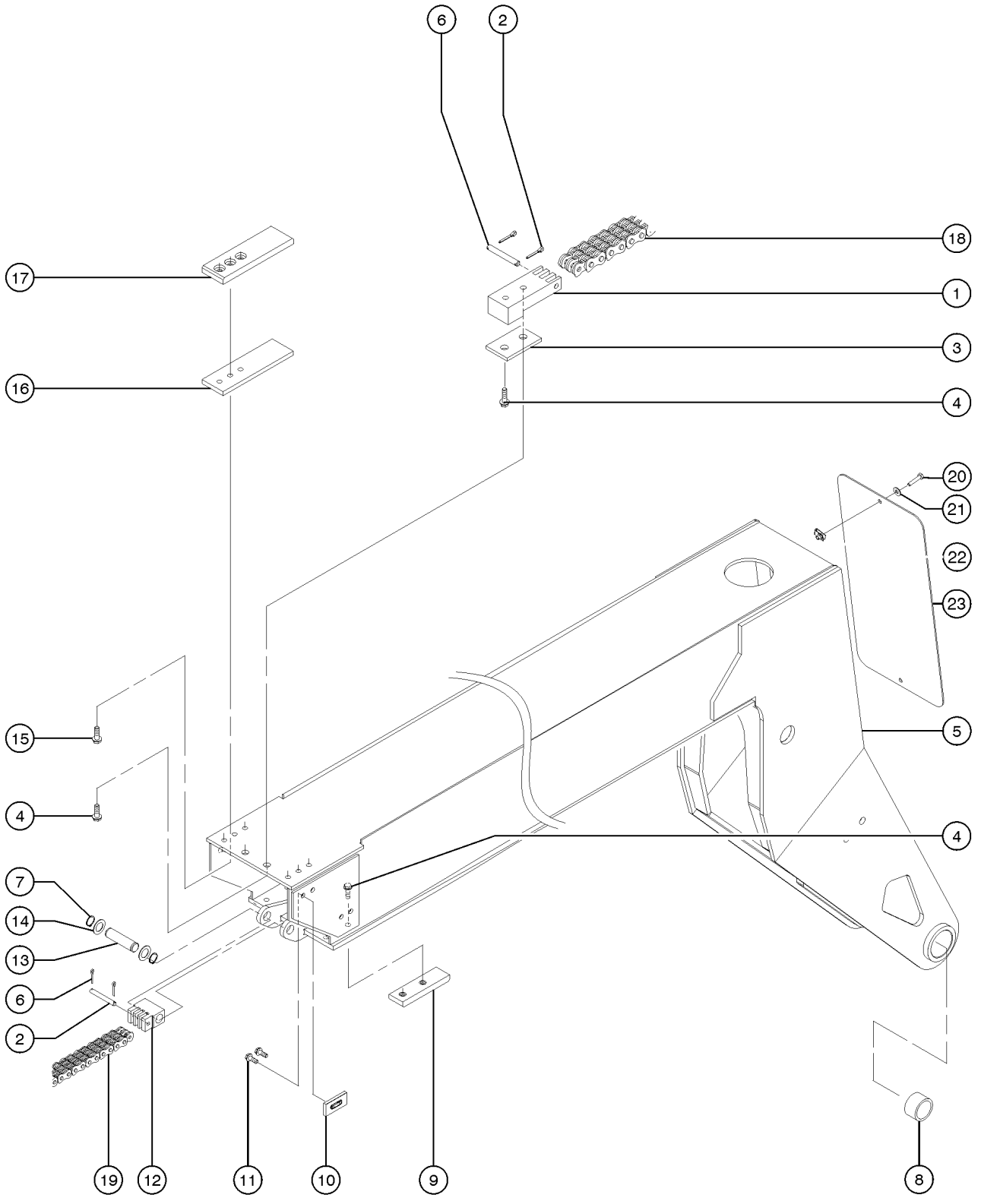
608.1 Slip On Truss Boom Attachment



## 608.1 Slip On Truss Boom Attachment

Item	Part No.	Description	Qty.
1		Ref. Carriage <i>(Refer to 601.1 to 604.1)</i>	
2		Ref. Fork <i>(Refer to 601.1 to 604.1)</i>	
3	2-1084-1GT	CLEVIS PLATE.....	2
4	6-5312-40GT	SCREW,HHC,3/4-16X5,GR8.....	2
5	6-6206-12GT	NUT,NYLOCK,3/4-16.....	2
6	BX-1060GT	TRUSS BOOM / SLIP ON / 10K MOD..... <i>(includes items 3-5 and 7-10)</i>	1
7	3-1136GT	MEMBER,TRUSS BOOM.....	1
8	3-1145-2GT	PIN,TRUSS BOOM,ADJUSTING..... <i>(adjusting)</i>	1
9	7-194-39GT	COTTERPIN.....	2
10	3-1145-1GT	PIN,TRUSS BOOM..... <i>(attachment)</i>	1

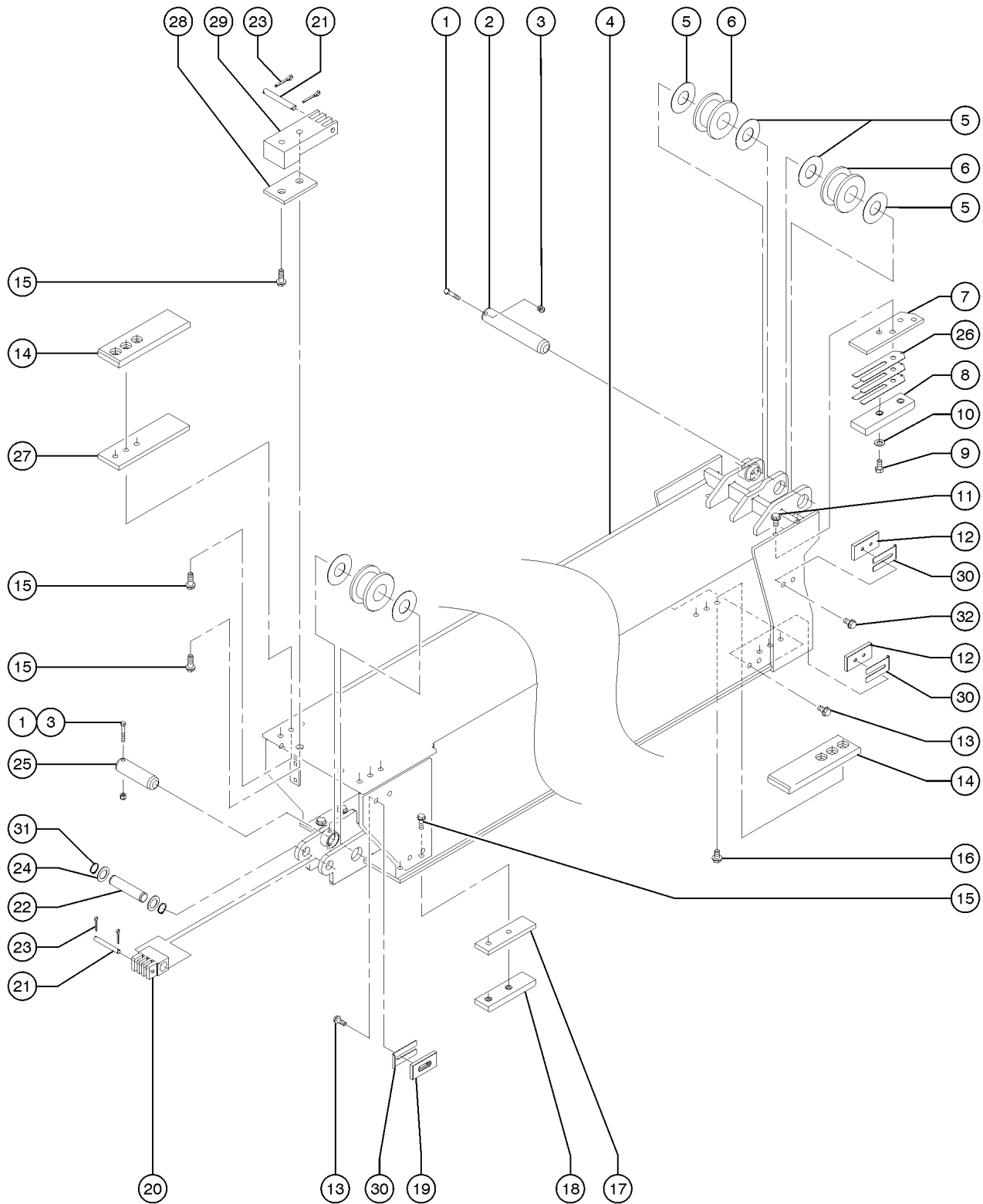
701.1 Small Boom Assembly



## 701.1 Small Boom Assembly

Item	Part No.	Description	Qty.
1	117780GT	ANCHOR,CHAIN,STEPPED,BL666.....	2
2	6-6243-06GT	COTTERPIN,3/32X3/4LG.....	6
3	123069GT	PLATE,CHAIN ANCHOR MOUNT.....	2
4	T106383GT	FLGHCS,1/2-13X1,GR5,ZN,LOC.....	4
5	131499GT	WELDMENT,#4 BOOM, 1056..... <i>(must specify color, gray or Genie Blue)</i>	1
--	228981GT	WELDMENT, SML BOOM 1056(BLUE) <i>(includes blue boom, items 8, 24)</i>	
6	130386GT	PIN,CHAIN ANCHOR,,313X2.625.....	3
7	44662GT	SNAP RING,EXTERNAL,1.00 DIA.....	2
8	108864GT	BEARING,2.50IDX3.00 ODX1.50LG.....	4
9	108869GT	WEARPAD,2X7X.75,LD.....	2
10	141025GT	ASSY,WEAR PAD,RR 0.5"THK.....	2
11	123121GT	BOLT FLANGE,3/8NC-16X3/4LG,LT.....	4
12	130872GT	CHAIN ANCHOR,PINNED,BL-666.....	1
13	79579GT	PIN,1.00DIA X4.51LG,2RING.....	1
14	30748GT	WASHER,SHIM,1.01 X 1.63 X.062.....	2
15	T106381GT	FLGHC,1/2-13X15,GR5,ZN,LOC.....	6
16	117676GT	SPACER,10X3X.50.....	2
17	108868GT	WEARPAD,10X3X.75HD.....	2
18	117502GT	CHAIN,BL666 EXTEND,GTH-1056.....	2
19	141030GT	CHAIN,BL666 RETRACT,GTH-1056.....	1
20	6-5204-10GT	SCREW,1/4-20 X 1.25,GR8..... <i>(from serial number GTH1011-15985)</i>	2
21	6638GT	WASHER,FLAT,USS,1/4"Y..... <i>(from serial number GTH1011-15985)</i>	2
22	56912GT	SPRING CLIP,1/4-20,.025-.15X.54,ZAG..... <i>(from serial number GTH1011-15985)</i>	2
23	236221GT	PLATE,FRONT BOOM COVER,1056..... <i>(from serial number GTH1011-15985)</i>	1
24	97673GT	Danger - Fall Hazard, No Riders.....	1

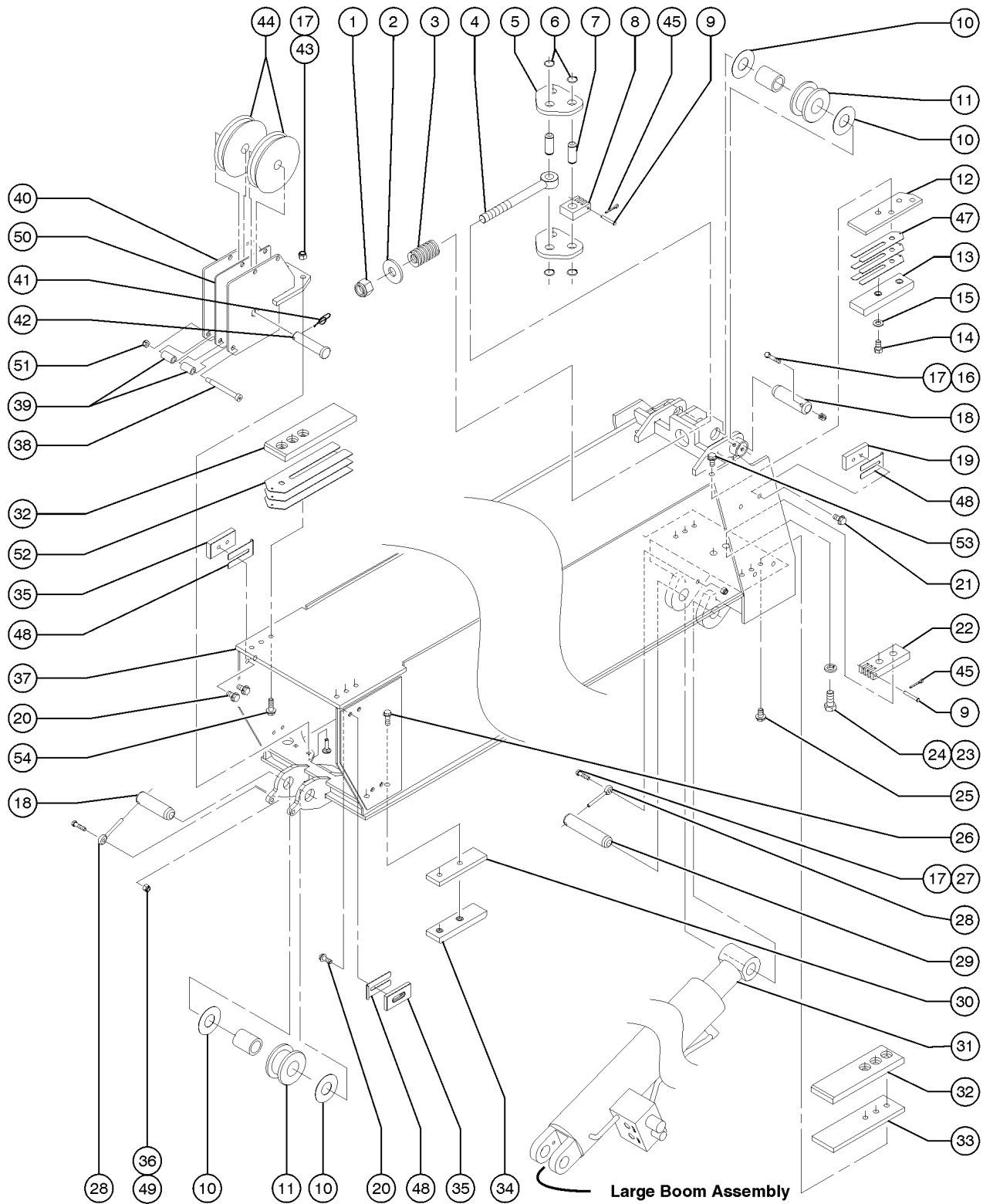
702.1 Small Middle Boom Assembly



## 702.1 Small Middle Boom Assembly

Item	Part No.	Description	Qty.
1	6-5206-20GT	SCREW,HHC,3/8-16X2.5,GR8.....	2
2	117777GT	PIN,1.50DIA X 8.75LG,1HOLE.....	1
3	4828GT	NUT,NYLOCK,3/8-16.....	2
4	226666GT	ASSY SM MID BOOM BLUE 1056..... (must specify color, gray or Genie Blue)	1
5	36603GT	WASHER,FLAT,1.56 X 3.5 X .061.....	6
6	130535GT	CHAIN SHEAVE ASSY,POLYGON (includes 123187 and 141309)	
--	123187GT	SHEAVE,CHAIN.....	3
--	141309GT	BEARING,1.5 X 2.0 X 2.5.....	6
7	123379GT	PLATE,WP SPACER,TAPPED.....	2
8	108871GT	WEARPAD,2X7X.88,LD.....	2
9	141448GT	SCREW,HHC,1/2-13X.875,GR8.....	4
10	13066GT	WASHER,FLAT,5 HARDENED.....	4
11	123163GT	FLGHCS,1/2-13X.75,GR5,BLK PH.....	4
12	141027GT	ASSY,WEAR PAD,FRT 0.7" THK.....	4
13	123121GT	BOLT FLANGE,3/8NC-16X3/4LG,LT.....	12
14	108868GT	WEARPAD,10X3X.75HD.....	4
15	T106381GT	FLGHC,1/2-13X15,GR5,ZN,LOC.....	14
16	123163GT	FLGHCS,1/2-13X.75,GR5,BLK PH.....	6
17	108912GT	SPACER,2X7X.50.....	2
18	108869GT	WEARPAD,2X7X.75,LD.....	2
19	141025GT	ASSY,WEAR PAD,RR 0.5"THK	
20	130926GT	CHAIN ANCHOR,1"PIN,866.....	1
21	141045GT	PIN,CHAIN ANCHOR,.375X2.96.....	3
22	79579GT	PIN,1.00DIA X 4.51LG,2RING.....	1
23	6-6243-06GT	COTTERPIN,3/32X3/4LG.....	6
24	30748GT	WASHER,SHIM,1.01 X 1.63 X .062.....	2
25	108855GT	PIN,1.50DIA X 5.25LG,1HOLE.....	1
26	5-2134GT	SHIM,2X7X.06.....	6
27	117676GT	SPACER,10X3X.50.....	2
28	123069GT	PLATE,CHAIN ANCHOR MOUNT.....	2
29	130930GT	CHAIN ANCHOR,STEPPED,866.....	2
30	81851GT	SHIM,PAD 2.0 X 4.0 X .06 THK.....	8
31	44662GT	SNAP RING,EXTERNAL,1.00 DIA.....	2
32	T106382GT	FLGHCS,3/8-16X1.25.GR5,ZN,LOC.....	4

703.1 Large Middle Boom Assembly

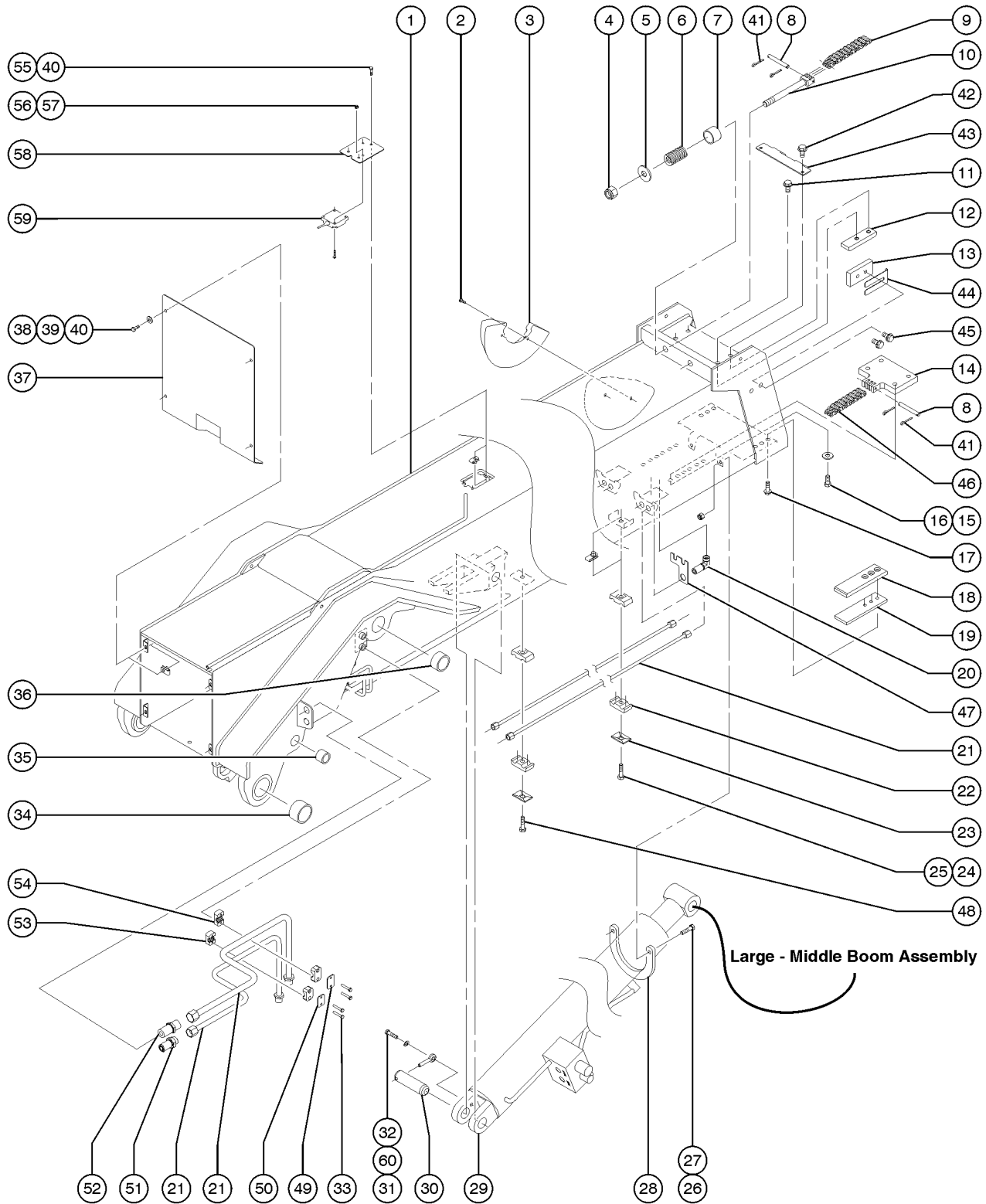




## 703.1 Large Middle Boom Assembly

Item	Part No.	Description	Qty.	Item	Part No.	Description	Qty.
1	5-2137GT	NUT,NYLOCK,1-14.....	1	39	130821GT	SPACER,HOSE ROLLER.....	12
2	6-6215-16GT	WASHER,FLAT,SAE,1",YZ GR8.....	1	40	130820GT	WELDMENT,HOSE ROLLER.....	2
3	123169GT	SPRING, COMPRESSION.....	2	41	96423GT	RUE RING,3/4 PIN.....	2
4	117693GT	ROD END,CHAIN TENSIONER,1056.....	1	42	96907GT	PIN,CLEVIS,0.75 X 3.25".....	2
5	123185GT	PLATE,CHAIN PIVOT.....	2	43	105092GT	BOLT,CARRIAGE,3/8-16X1.25,GR5.....	4
6	44662GT	SNAP RING,EXTERNAL,1.00 DIA.....	6	44	130827GT	SHEAVE,SINGLE HOSE.....	4
7	123184GT	PIN,2 RING GROOVE.....	3	45	6-6243-06GT	COTTERPIN,3/32X3/4LG.....	6
8	123186GT	ANCHOR,EXTEND CHAIN.....	2	47	5-2134GT	SHIM,2X7X.06.....	6
9	130386GT	PIN,CHAIN ANCHOR,.313X2.625.....	3	48	81851GT	SHIM,PAD 2.0 X 4.0 X .06 THK.....	8
10	36603GT	WASHER,FLAT,1.56 X 3.5 X .061.....	6	49	7713GT	NUT, LP NYLOCK, 3/8-16.....	1
11	141311GT	CHAIN SHEAVE ASSY,866,POLYLUBE.....	3	50	130819GT	PLATE,HOSE SEPARATOR.....	2
--	141309GT	BEARING,1.5 X 2.0 X 2.5		51	6-6205-05GT	NUT,NYLOCK,5/16-18,GR8.....	6
12	123379GT	PLATE,WP SPACER,TAPPED.....	2	52	130828GT	SHIM, 10 X 3 X .06.....	6
13	108871GT	WEARPAD,2X7X.88,LD.....	2	53	123163GT	FLGHCS,1/2-13X.75,GR5,BLK PH.....	4
14	141448GT	SCREW,HHC,1/2-13X.875,GR8.....	4	54	117489GT	BOLT,FLANGE,1/2-13X1.25,LKTITE.....	6
15	13066GT	WASHER,FLAT,.5 HARDENED.....	4				
16	6-5206-20GT	SCREW,HHC,3/8-16X2.5,GR8.....	2				
17	4828GT	NUT,NYLOCK,3/8-16.....	7				
18	108855GT	PIN,1.50DIA X 5.25LG,1HOLE.....	3				
19	141027GT	ASSY,WEAR PAD,FRT 0.7" THK.....	4				
20	123121GT	BOLT FLANGE,3/8NC-16X3/4LG,LT.....	4				
21	T106382GT	FLGHCS,3/8-16X1.25.GR5,ZN,LOC.....	2				
22	123168GT	CHAIN ANCHOR, BOLT ON.....	1				
23	123548GT	SCREW,HHC,3/4-16X1.5,GR8.....	2				
24	141090GT	WASHER,3/4 NORDLOCK SECURE.....	2				
25	T106384GT	FLGHCS,1/2-13X1.75,GR5,ZN,LOC.....	6				
26	T106381GT	FLGHC,1/2-13X15,GR5,ZN,LOC.....	4				
27	5224GT	SCREW,HHC,3/8-16 X 2.....	1				
28	825019GT	ROD END,.375X3.69,ZAG.....	2				
29	108856GT	PIN,1.50DIA X 7.25LG,1HOLE.....	1				
30	108912GT	SPACER,2X7X.50.....	2				
31	1253244GT	CYLINDER,BOOM,1056.....	1				
--	123896GT	VALVE,CBEA-LHN@3200:PSI					
--	130414GT	SEAL KIT,CYLINDER,4.53BX2.95R.....	1				
--	141334GT	VALVE,C'BALANCE,DUAL STAGE					
32	108868GT	WEARPAD,10X3X.75HD.....	4				
33	117676GT	SPACER,10X3X.50.....	2				
34	108869GT	WEARPAD,2X7X.75,LD.....	2				
35	141025GT	ASSY,WEAR PAD,RR 0.5"THK					
36	6019GT	SCREW,HHC,3/8-16 X 1.25 GRD 5.....	1				
37A	226884GT	ASSY,LG MID BOOM,BLUE,1056.....	1				
37B	226885GT	ASSY,LG MID BOOM,GREY,1056.....	1				
38	130829GT	SCREW, SHS, 5/16-18 X 3.00.....	6				

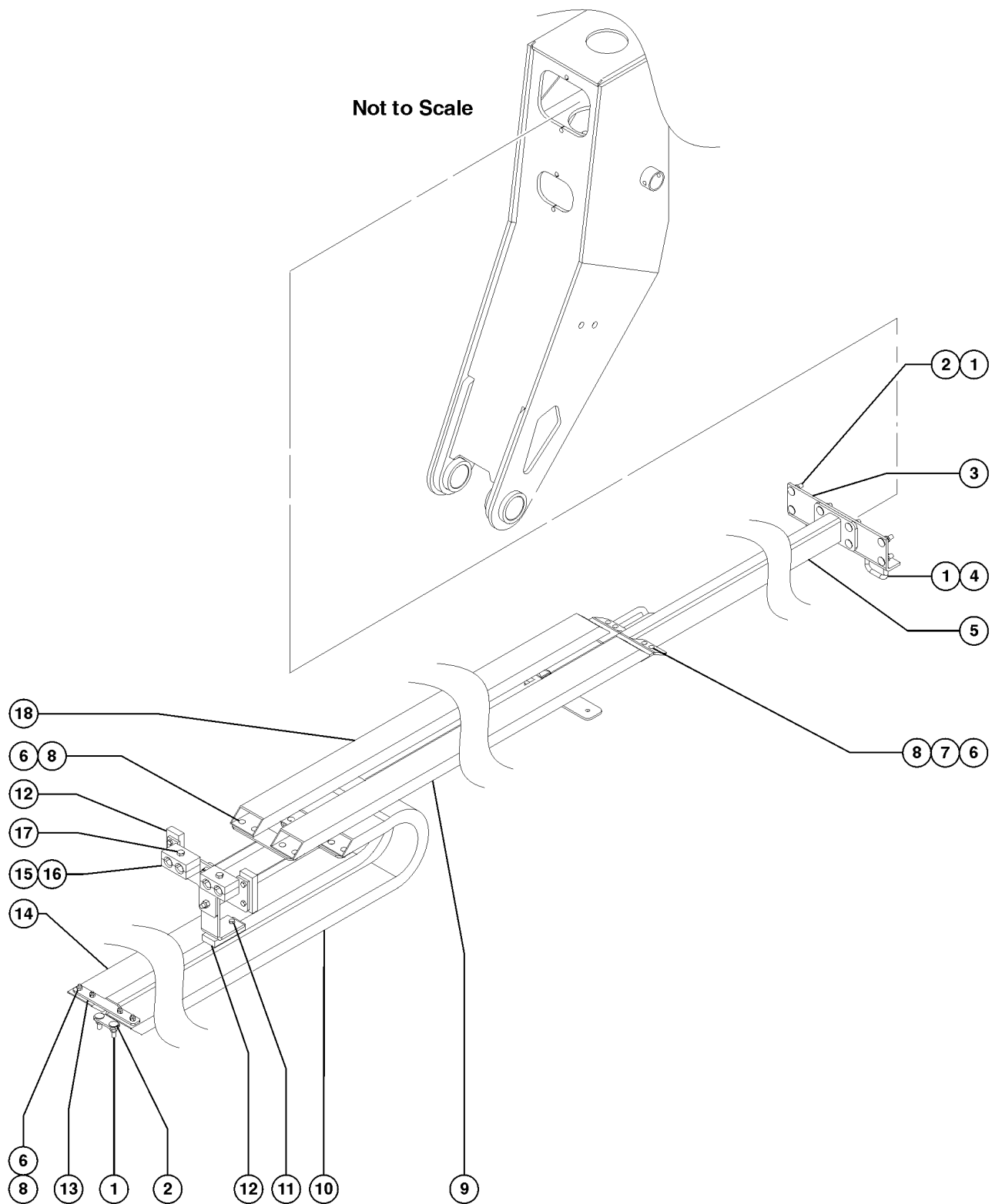
704.1 Large Boom Assembly



## 704.1 Large Boom Assembly

Item	Part No.	Description	Qty.	Item	Part No.	Description	Qty.
1	141018GT	WELDMENT,#1 BOOM, 1056.....	1	39	6638GT	WASHER,FLAT,USS,1/4"Y.....	4
2	44290GT	SCREW,FILLISTER PHIL,10-24X.38....	2	40	56912GT	SPRING CLIP,1/4-20,.025-.15X.54,ZAG.....	7
3	123545GT	ANGLE INDICATOR,GTH.....	1	41	6-6243-06GT	COTTERPIN,3/32X3/4LG.....	6
4	123231GT	NUT,NYLOCK,1-14.....	2	42	117489GT	BOLT,FLANGE,1/2-13X1.25,LKTITE.....	2
5	117774GT	WASHER,FLAT,1.06X2.75X.25.....	2	43	141046GT	FORMING,EXTEND CHAIN GUIDE.....	1
6	123169GT	SPRING, COMPRESSION.....	2	44	81851GT	SHIM,PAD 2.0 X 4.0 X .06 THK.....	4
7	1626-175GT	TUBE,RD,STL 2.5X.180X1.75LG.....	2	45	T106382GT	FLGHCS,3/8-16X1.25.GR5,ZN,LOC.....	8
8	141045GT	PIN,CHAIN ANCHOR,.375X2.96.....	3	46	141029GT	CHAIN,BL866 RETRACT,GTH-1056.....	1
9	141028GT	CHAIN,BL866 EXTEND,GTH-1056.....	2	47	130826GT	PLATE,HOSE GUIDE.....	2
10	130931GT	CHAIN ANCHOR,THREADED,BL866.....	2	48	13000GT	SCREW,HHC,5/16-18 X 1.25..... <i>(flat plate with holes for two fasteners; for single-line installation)</i>	6
11	T106383GT	FLGHCS,1/2-13X1,GR5,ZN,LOC.....	2	49	117315GT	CLAMP CVR PLATE,SINGLE,GRP 3.....	1
12	108869GT	WEARPAD,2X7X.75,LD.....	2	50	117312GT	CLAMP CVR PLATE,SINGLE,GRP 2.....	1
13	141027GT	ASSY,WEAR PAD,FRT 0.7" THK.....	4	51	117255GT	CONN,BULKHEAD,520601-10.....	1
14	130938GT	CHAIN ANCHOR,BOLT ON.....	1	52	48968GT	CONN,BULKHEAD,520601-12.....	1
15	123548GT	SCREW,HHC,3/4-16X1.5,GR8.....	4	53	117310GT	CLAMP HALF SET,SINGLE,5/8" TUBE.....	2
16	141090GT	WASHER,3/4 NORDLOCK SECURE.....	4	54	117313GT	CLAMP HALF SET,SINGLE,3/4" TUBE.....	2
17	T106384GT	FLGHCS,1/2-13X1.75,GR5,ZN,LOC.....	6	55	6-5204-10GT	SCREW,1/4-20 X 1.25,GR8.....	3
18	108868GT	WEARPAD,10X3X.75HD.....	2	56	6178GT	NUT,NYLOCK,10-32.....	2
19	117676GT	SPACER,10X3X.50.....	2	57	6147GT	SCREW,RHM,10-32 X 1.....	2
20	75042GT	ELBOW,BULKHEAD UNION 520701-8...4		58	123678GT	PLATE,EXT LS COVER.....	1
21		Ref. Hose Assembly <i>(refer to 807.1)</i>		59	123783GT	PROXIMITY SWITCH,40MM RANGE.....	1
22	123175GT	CLAMP HALF SET,TWIN,1/2" TUBE.....	20	--	123588GT	HARNESS,BOOM EXT SW,1056	
23	123176GT	PLATE, TOP.....	10	--	60424GT	CONN,PLUG 2 WAY,14-18GA	
24	14723GT	SCREW,HHC,5/16-18 X 1.75.....	4	--	60425GT	LOCK, PLUG 2WAY, 14-18GA	
25	7-173-05GT	THREADED SPRING CLIP, 5/16..... <i>(dome-shaped plate with hole for one fastener, for two-line installation)</i>	4	--	64325GT	TERM,NI SOC,16-18GA SOLID	
26	94747GT	SCREW,HHC,1/2-13 X 1.75 GRD 8.....	2	60	6021GT	WASHER,LOCK,.375	
27	117493GT	NUT,NYLOCK,1/2-13,GR8.....	2				
28	117135GT	PLATE,CYLINDER SUPPORT.....	1				
29	1253244GT	CYLINDER,BOOM,1056.....	1				
--	123896GT	VALVE,CBEA-LHN@3200:PSI					
--	1258121GT	SEAL KIT,CYLINDER.....	1				
--	1268928GT	VALVE,EXTEND C'BALANCE					
30	108855GT	PIN,1.50DIAX5.25LG,1HOLE.....	1				
31	6-5206-16GT	SCREW,HHC,3/8-16X2.0,GR8.....	1				
32	1255452GT	ROD END,.375 X 2.25,ZAG.....	1				
33	6145GT	SCREW,HHC,1/4-20 X 1.5.....	4				
34	108862GT	BEARING,3.00IDX3.50ODX2.00LG.....	2				
35	117304GT	BEARING,1.5"IDX2"ODX1.5"LG.....	2				
36	108864GT	BEARING,2.50IDX3.00 ODX1.50LG.....	2				
37	123657GT	WELDMENT,BOOM COVER.....	1				
38	6090GT	SCREW,HHC,1/4-20 X .75.....	7				



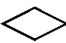
705.1 Cable Track Assembly

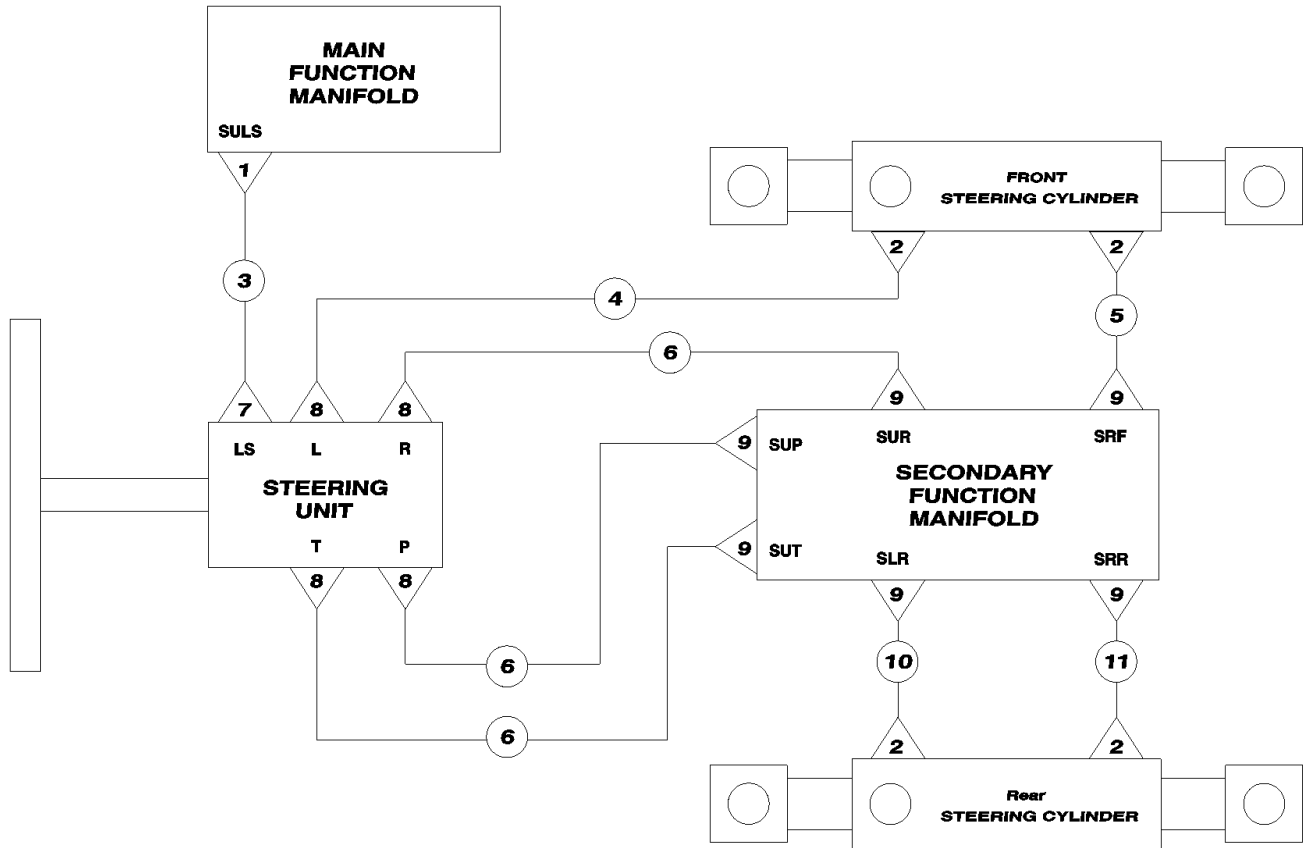


## 705.1 Cable Track Assembly

Item	Part No.	Description	Qty.
--	1255546GT	HD CABLE TRACK KIT GTH-1056 <i>Heavy-duty Cable Track Replacement kit (includes heavy-duty track, track mount, fasteners and installation instructions)</i>	
1	4828GT	NUT,NYLOCK,3/8-16.....	14
2	105092GT	BOLT,CARRIAGE,3/8-16X1.25,GR5.....	12
3	141198GT	FORMING,CABLE BRIDGE MOUNT.....	1
4	141183GT	U-BOLT,3/8-16X2X3 ZINC.....	1
5	141201GT	WELDMENT,CABLE BRIDGE.....	1
6	6878GT	BOLT,CARRIAGE,1/4-20 X .75,G2.....	8
7	6638GT	WASHER,FLAT,USS,1/4"Y.....	2
8	6091GT	NUT,NYLOCK,1/4-20.....	8
9	141204GT	TRACK,PLASTIC CABLE..... <i>(models with auxiliary hydraulics only)</i>	1
10	108951GT	TRACK,PLASTIC CABLE..... <i>(models with auxiliary hydraulics only) GPN 108951 is obsolete.</i>	1
--	219651GT	TRACK,PLASTIC CABLE..... <i>(models with auxiliary hydraulics only)</i>	1
11	6090GT	SCREW,HHC,1/4-20 X .75.....	6
12	104741GT	WEAR PAD,3.75 X 1.50 X .63.....	3
13	123023GT	FORMING,CABLE TRACK MOUNT.....	1
14	219651GT	TRACK,PLASTIC CABLE..... <i>(all models)</i>	1
15	141197GT	WELDMENT,HOSE CLAMP.....	1
16	141200GT	PLATE,HOSE CLAMP,TAPPED.....	1
17	8516GT	SCREW, HCC, 3/8-16 X 1.50.....	1
18	141204GT	TRACK,PLASTIC CABLE..... <i>(all models)</i>	1



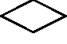
801.1 Steering System

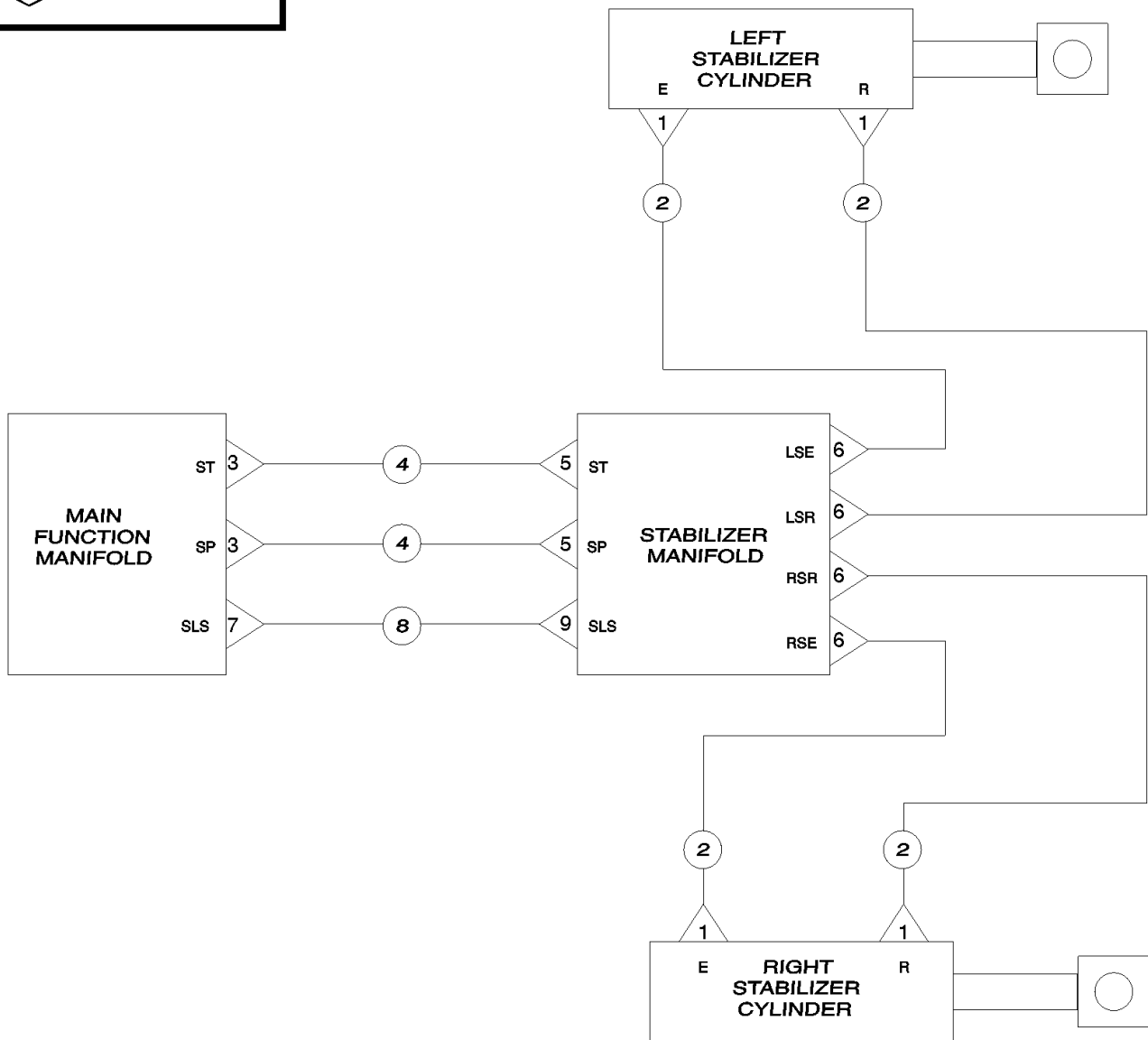
LEGEND	
	FITTING
	HOSE ASSEMBLY
	CONNECTOR



Item	Part No.	Description	Qty.
1	48905GT	CONN,520120-4***.....1	1
2	48929GT	FITTING,ELBOW,90D,520220-6-8.....4	4
3	49119-3800GT	HOSE ASSY,1/4,STR FEM,STR FEM....1	1
4	49130-6600GT	HOSE ASSY 3/8, STR FEM, STR FEM...1	1
5	49130-4100GT	HOSE ASSY 3/8, STR FEM,STR FEM....1	1
6	49130-4700GT	HOSE ASSY 3/8, STR FEM, STR FEM...3	3
7	48904GT	ELBOW,90D,520220-4-4.....1	1
8	48930GT	CONN,520120-6-8.....4	4
9	48916GT	CONN, 520120-6.....6	6
10	49130-11700GT	HOSE ASSY 3/8, STR FEM,STR FEM....1	1
11	49130-13200GT	HOSE ASSY 3/8, STR FEM,STR FEM....1	1

802.1 Stabilizer System

LEGEND	
	FITTING
	HOSE ASSEMBLY
	CONNECTOR

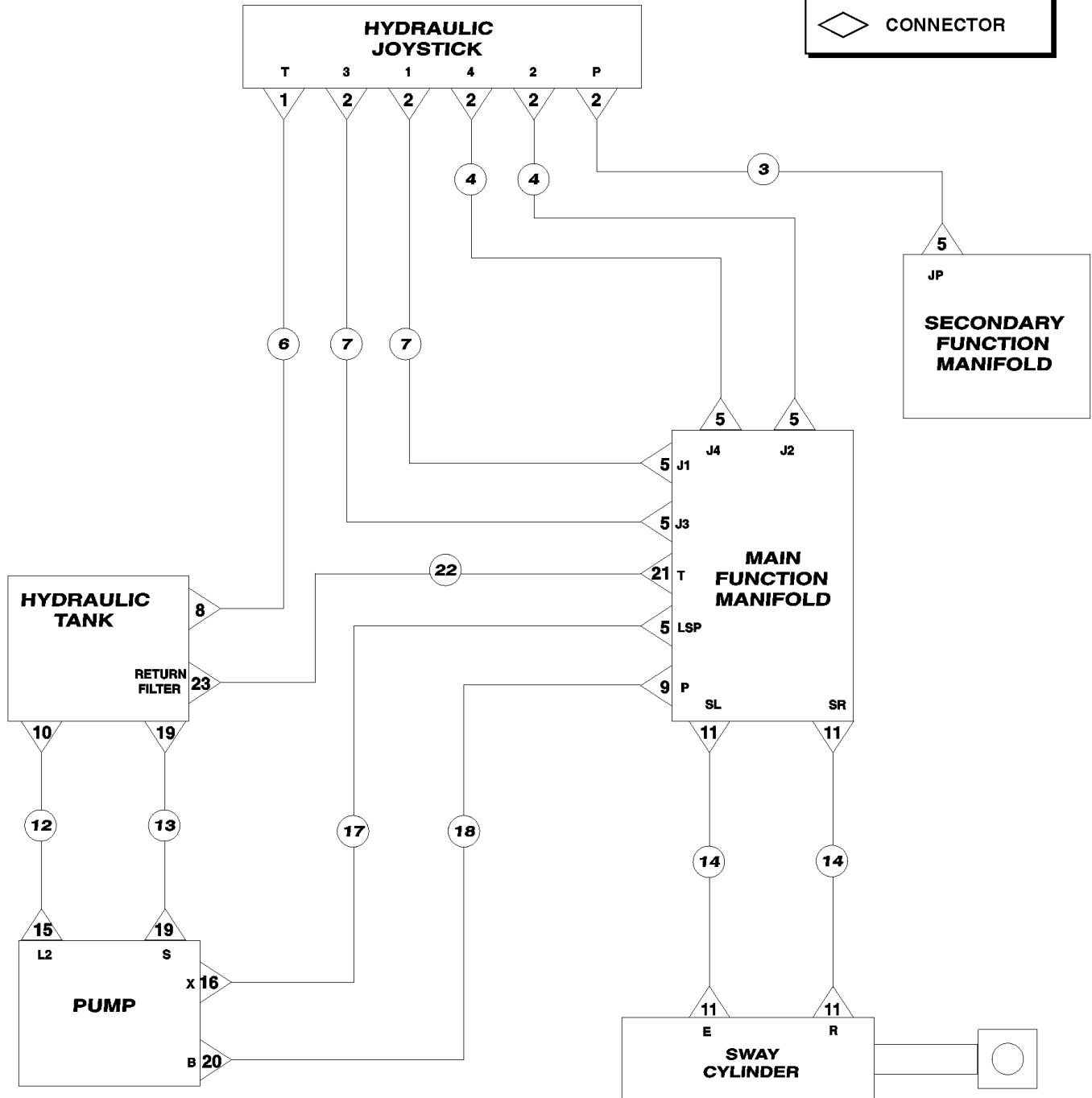




Item	Part No.	Description	Qty.
1	48915GT	ELBOW,90D,520220-6.....	4
2	49130-5400GT	HOSE ASSY,3/8,STR FEM,STR FEM.....	4
3	48946GT	CONN,520120-8-10.....	2
4	49183-3500GT	HOSE ASSY,1/2,STR FEM,STR FEM.....	2
5	48933GT	CONN,520120-8***.....	2
6	48916GT	CONN, 520120-6.....	4
7	48907GT	ELBOW,45D,520320-4.....	1
8	49119-3500GT	HOSE ASSY,1/4,STR FEM,STR FEM.....	1
9	48905GT	CONN,520120-4***.....	1

803.1 Sway Cylinder and Single Joystick Components

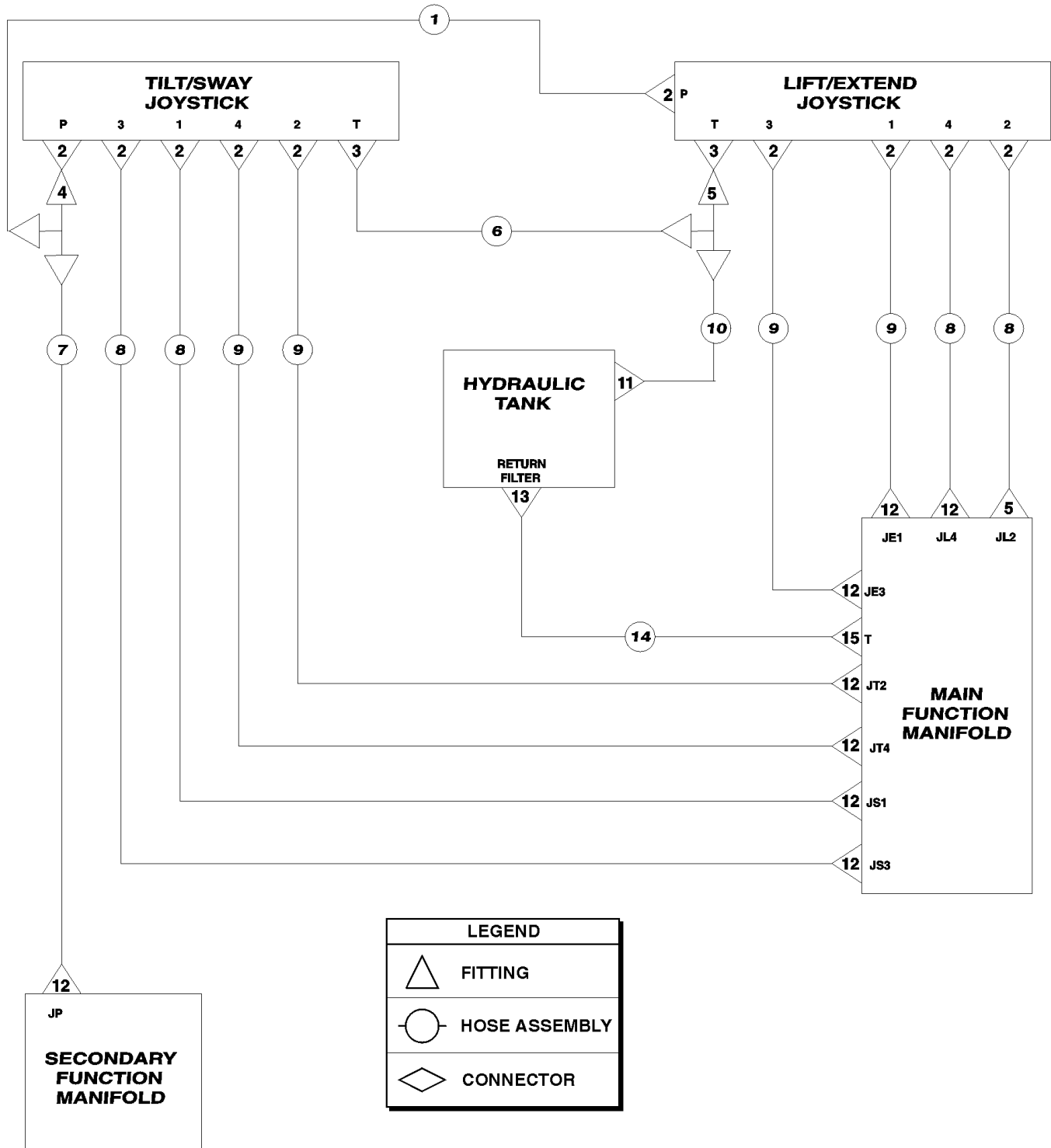
LEGEND	
	FITTING
	HOSE ASSEMBLY
	CONNECTOR



## 803.1 Sway Cylinder and Single Joystick Components

Item	Part No.	Description	Qty.
1	48916GT	CONN, 520120-6.....	1
2	48912GT	CONN,520120-4-6***.....	5
3	49119-5500GT	HOSE ASSY,1/4,STR FEM,STR FEM.....	1
4	49119-4400GT	HOSE ASSY,1/4,STR FEM,STR FEM.....	2
5	48905GT	CONN,520120-4***.....	5
6	49130-6800GT	HOSE ASSY 3/8, STR FEM,STR FEM....	1
7	49119-5000GT	HOSE ASSY,1/4,STR FEM,STR FEM.....	2
8	48929GT	FITTING,ELBOW,90D,520220-6-8.....	1
9	48960GT	FITTING,CONN,520120-12***.....	1
10	48933GT	CONN,520120-8***.....	1
11	48915GT	ELBOW,90D,520220-6.....	43
12	1254891GT	HOSE ASSY,1/2,90 FEM,STR FEM.....	1
13	823311GT	HOSE ASSY,2IDX2SF90X2SF90X35.5".....	1
14	49130-5600GT	HOSE ASSY 3/8, STR FEM,STR FEM....	2
15	54283GT	ELBOW,90D,520220-8-10.....	1
16	48904GT	ELBOW,90D,520220-4-4.....	1
17	49119-3200GT	HOSE ASSY,1/4,STR FEM,STR FEM.....	1
18	117819GT	HOSE ASSY,.75IDX1"SFX12X30".....	1
19	123153GT	SPLIT FLANGE KIT, 2 IN.....	2
20	123565GT	O-RING FLANGE.....	1
21	48984GT	CONN,520120-16.....	1
22	49170-5100GT	HOSE ASSY,1",STR FEM,STR FEM.....	1
23	49983GT	ELBOW,90D,520220-16.....	1

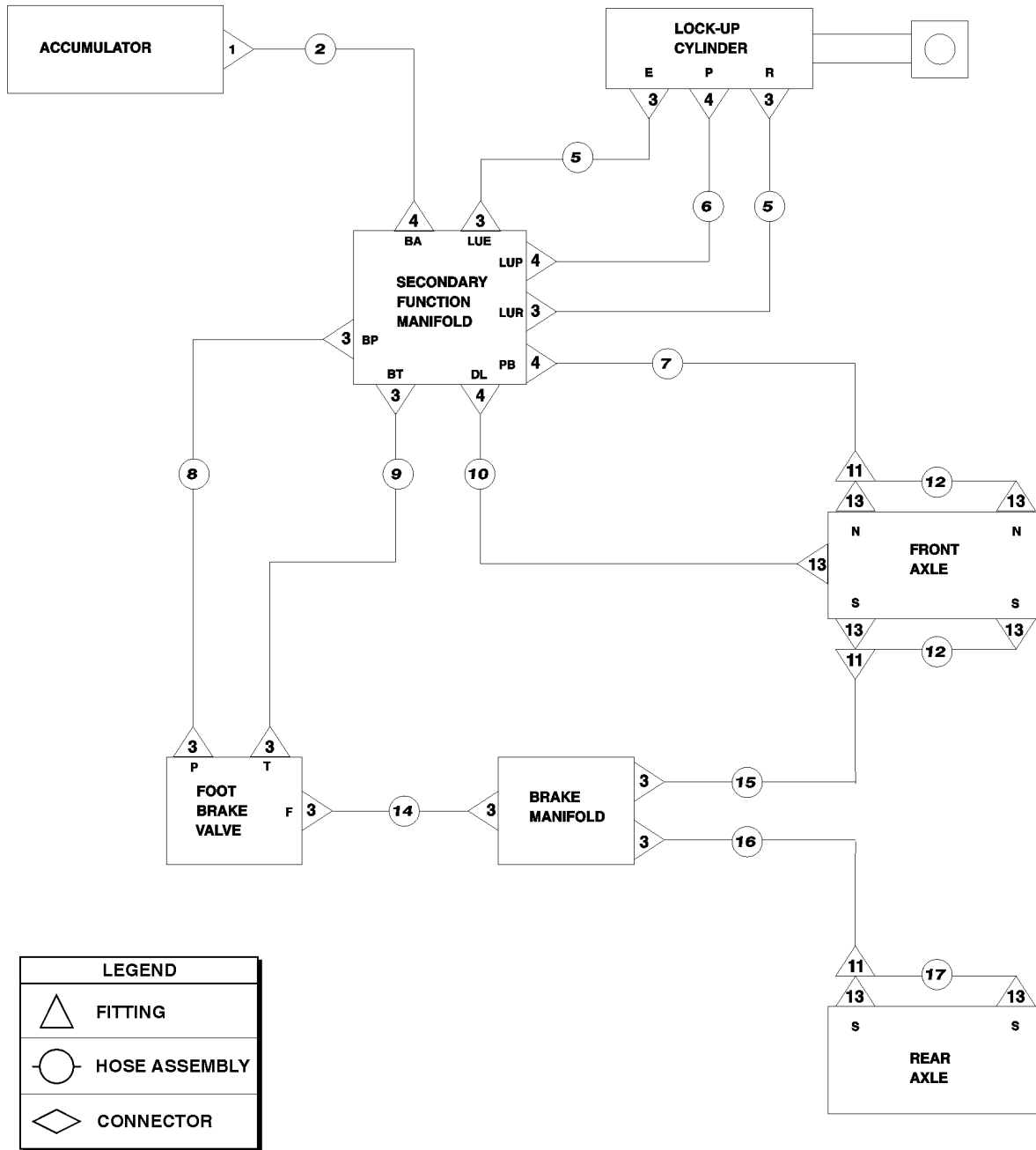
804.1 Dual Joystick Components



## 804.1 Dual Joystick Components

Item	Part No.	Description	Qty.
1	49119-5500GT	HOSE ASSY,1/4,STR FEM,STR FEM.....1	
2	48912GT	CONN,520120-4-6***.....10	
3	48916GT	CONN, 520120-6.....2	
4	48908GT	FITTING,TEE,RUN,SWIVEL520432-4.....1	
5	48875GT	TEE,RUN,SWIVEL,520432-6.....1	
6	123794GT	HOSE ASSY,.38IDX06-90X06X15".....1	
7	49119-5500GT	HOSE ASSY,1/4,STR FEM,STR FEM.....1	
8	49119-4400GT	HOSE ASSY,1/4,STR FEM,STR FEM.....4	
9	49119-5000GT	HOSE ASSY,1/4,STR FEM,STR FEM.....4	
10	1263884GT	HOSE ASSY 3/8, STR FEM, 45DFEM, 68".....1	
11	48929GT	FITTING,ELBOW,90D,520220-6-8.....1	
12	48905GT	CONN,520120-4***.....9	
13	48983GT	ELBOW,90D,520220-16.....1	
14	49170-5100GT	HOSE ASSY,1",STR FEM,STR FEM.....1	
15	48984GT	CONN,520120-16.....1	

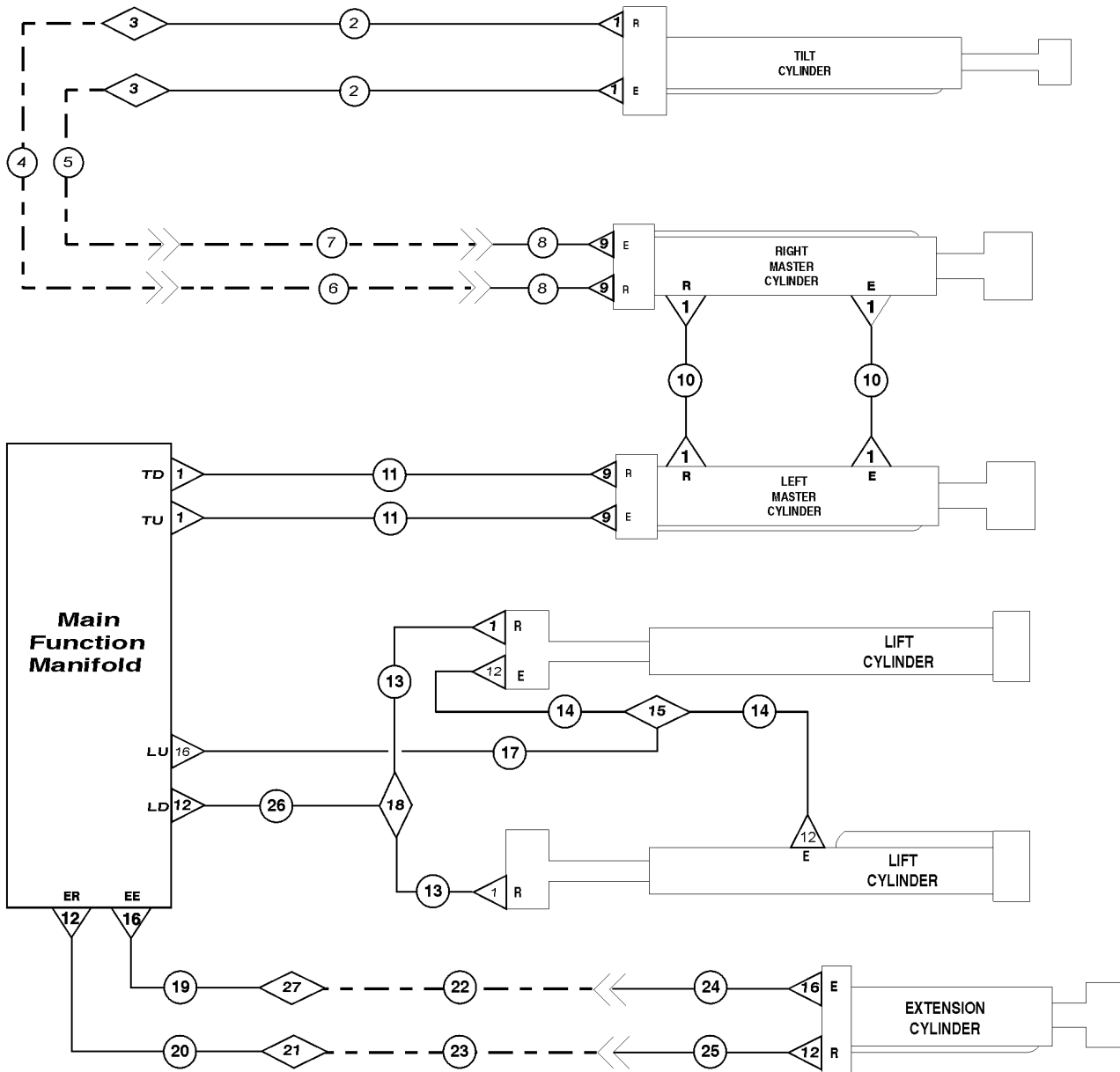
805.1 Front and Rear Axle System



## 805.1 Front and Rear Axle System

Item	Part No.	Description	Qty.
1	48929GT	FITTING,ELBOW,90D,520220-6-8.....1	1
2	49120-1550GT	HOSE ASSY,1/4"STR FEM STR FEM....1	1
3	48916GT	CONN, 520120-6.....12	12
4	48905GT	CONN,520120-4*** .....7	7
5	49130-13200GT	HOSE ASSY 3/8, STR FEM,STR FEM....2	2
6	49119-13700GT	HOSE ASSY,1/4,STR FEM,STR FEM....1	1
7	49120-3200GT	HOSE ASSY,1/4" STR FEM STR FEM....1	1
8	49130-5500GT	HOSE ASSY 3/8, STR FEM,STR FEM....1	1
9	49130-5900GT	HOSE ASSY 3/8, STR FEM,STR FEM....1	1
10	49120-4400GT	HOSE ASSY,1/4"STR FEM STR FEM....1	1
11	48875GT	TEE,RUN,SWIVEL,520432-6.....2	2
12	49128-1600GT	HOSE ASSY,3/8,90 FEM,STR FEM.....2	2
13	117809GT	ADAPTER,6MFF0R-14MMB.....7	7
14	49130-4000GT	HOSE ASSY 3/8, STR FEM,STR FEM....1	1
15	49130-4600GT	HOSE ASSY 3/8,STR FEM, STR FEM....1	1
16	49130-10200GT	HOSE ASSY 3/8, STR FEM,STR FEM....1	1
17	49128-1900GT	HOSE ASSY,3/8,90 FEM,STR FEM.....1	1

806.1 Boom Components

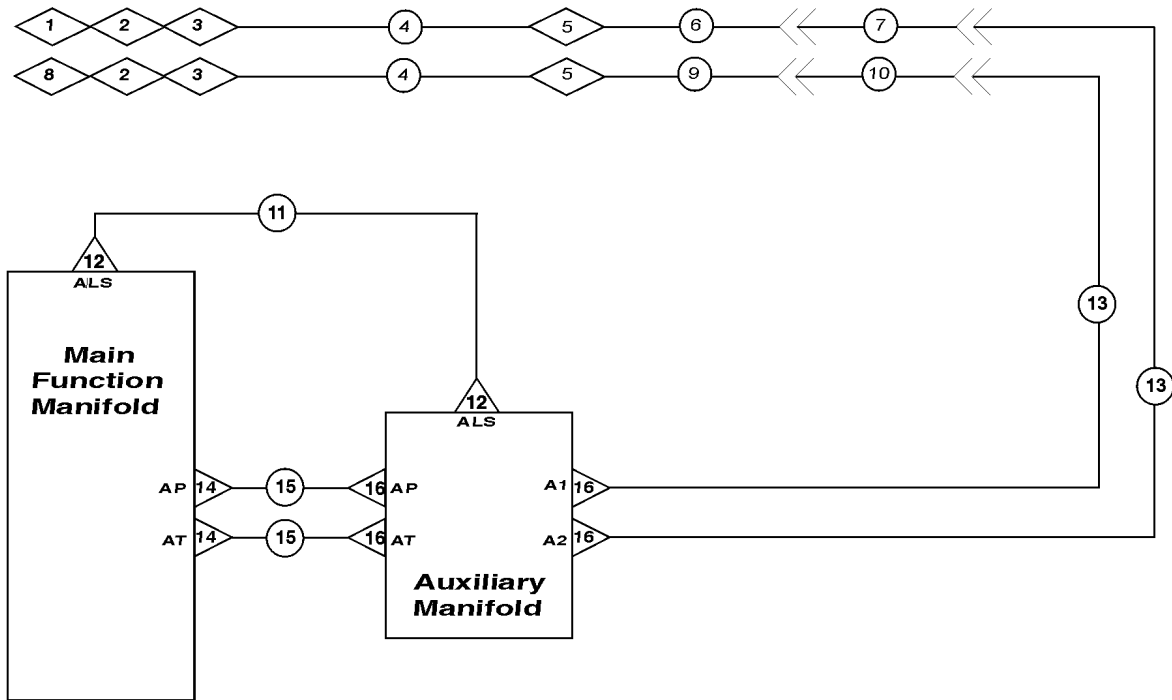


LEGEND	
	FITTING
	HOSE ASSEMBLY
	CONNECTOR



Item	Part No.	Description	Qty.
1	48933GT	CONN,520120-8***.....	10
2	75278-58700GT	HOSE ASSY,1/2,90 FEM,STR FEM..... (GTH-1056)	2
3	75042GT	ELBOW,BULKHEAD UNION 520701-8	
4	117191GT	TUBE ASSY,STRAIGHT,LB INNER..... (GTH-1056)	1
5	117190GT	TUBE ASSY,STRAIGHT,LB OUTER..... (GTH-1056)	1
6	117181GT	TUBE ASSY, TILT, RET.....	1
7	117180GT	TUBE ASSY,TILT,EXT.....	1
8	49183-5200GT	HOSE ASSY,1/2,STR FEM,STR FEM.....	2
9	48932GT	FITTING,ELBOW,90D,520220-8***.....	4
10	49183-2100GT	HOSE ASSY,1/2,STR FEM,STR FEM.....	2
11	49183-1300GT	HOSE ASSY,1/2,STR FEM,STR FEM.....	2
12	48952GT	FITTING,CONN,520120-10.....	5
13	117845GT	HOSE ASSY,,.50IDX10X08X32".....	2
14	117844GT	HOSE ASSY,,.63IDX12X10X32".....	2
15	48969GT	TEE,BULKHEAD,RUN,520958-12.....	2
16	48960GT	FITTING,CONN,520120-12***.....	3
17	61074-8300GT	HOSE ASSY,3/4,STR FEM,STR FEM.....	1
18	117959GT	BULKHEAD RUN TEE,10.....	1
19	61074-2000GT	HOSE ASSY,3/4,STR FEM,STR FEM.....	1
20	117847GT	HOSE ASSY,.63IDX10X10X205".....	1
21	117255GT	CONN,BULKHEAD,520601-10.....	1
22	117403GT	TUBE ASSY,EXT CYL,EXT.....	1
23	117404GT	TUBE ASSY,EXT CYL,RET.....	1
24	61073-2000GT	HOSE ASSY,3/4,90 FEM,STR FEM.....	1
25	117849GT	HOSE ASSY,.63IDX10-90X10X22".....	1
26	117843GT	HOSE ASSY,.63IDX10X10X83".....	1
27	48968GT	CONN,BULKHEAD,520601-12.....	1

807.1 Boom Components, Auxiliary

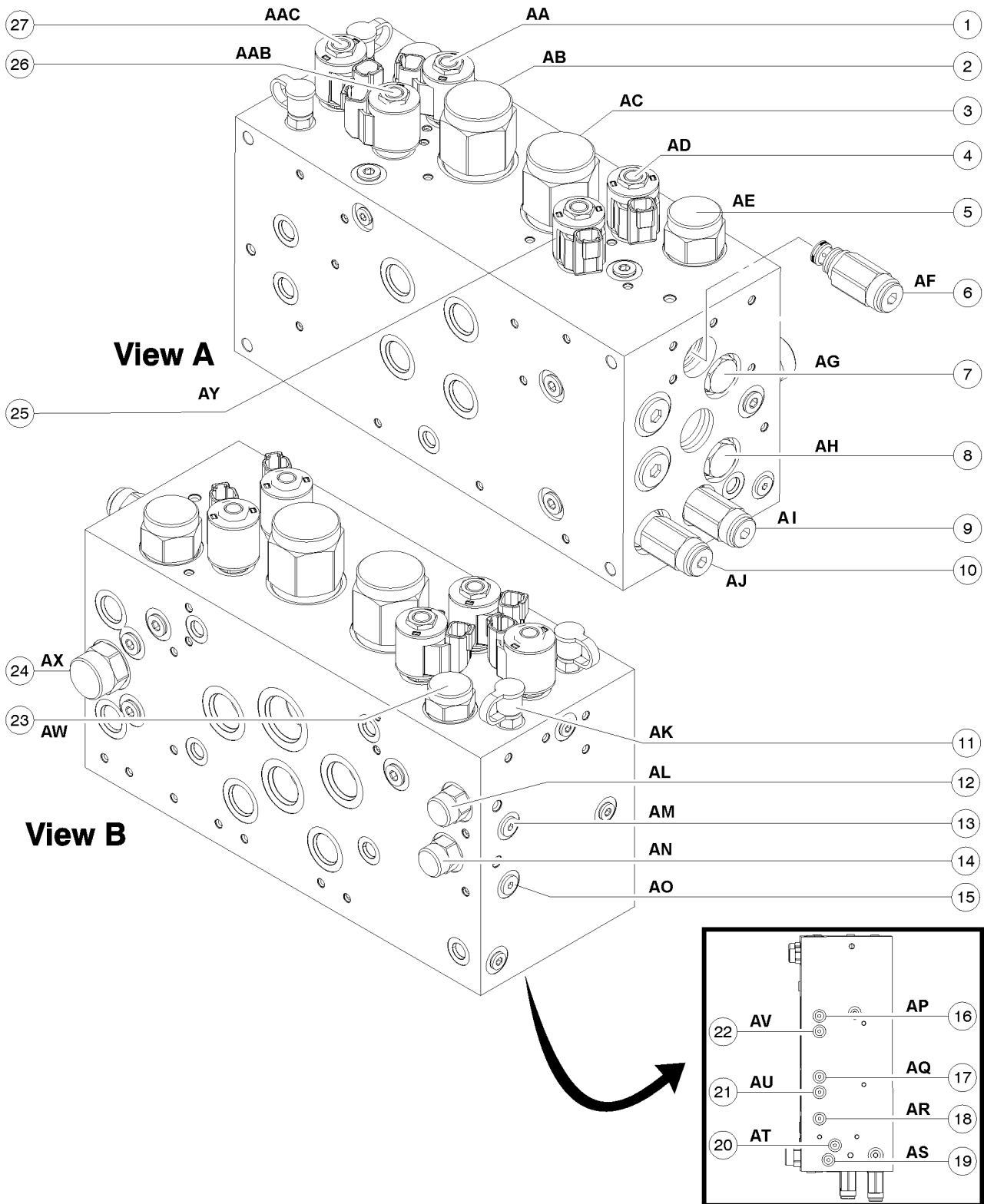


LEGEND	
	FITTING
	HOSE ASSEMBLY
	CONNECTOR

## 807.1 Boom Components, Auxiliary

Item	Part No.	Description	Qty.
1	123180GT	QUICK COUPLING,MALE.....1	1
2	123179GT	#8,90 DEG ORFS SWIVEL.....2	2
3	75042GT	ELBOW,BULKHEAD UNION 520701-8...4	4
4	75278-60300GT	HOSE ASSY,1/2,90 FEM,STR FEM.....2	2
5	75042GT	ELBOW,BULKHEAD UNION 520701-8...4	4
6	117191GT	TUBE ASSY,STRAIGHT,LB INNER.....1	1
7	117183GT	TUBE ASSY,AUX,INNER.....1	1
8	123181GT	QUICK COUPLING,FEMALE.....1	1
9	117190GT	TUBE ASSY,STRAIGHT,LB OUTER.....1	1
10	117182GT	TUBE ASSY,AUX,OUTER.....1	1
11	49119-2500GT	HOSE ASSY,1/4,STR FEM,STR FEM....1	1
12	48905GT	CONN,520120-4***.....2	2
13	49183-16600GT	HOSE ASSY,1/2,STR FEM,STR FEM....2	2
14	48946GT	CONN,520120-8-10.....2	2
15	49183-2700GT	HOSE ASSY,1/2,STR FEM,STR FEM....2	2
16	48933GT	CONN,520120-8***.....4	4

808.1 Primary Function Manifold with Single Joystick



## 808.1 Primary Function Manifold with Single Joystick

Item	Part No.	Description	Qty.	Item	Part No.	Description	Qty.
--	214436GT	MANIFOLD,SJ MAIN FUNCTION		--	62341GT	SEAL KIT,52907,SIZE 4, 2 WAY	
--	1270615GT	KIT, O-RING, 10K SJ PRIMARY MA		14	62346GT	VALVE,FLOW REGULATOR, 2.0 GPM*.....1 (Sway left/right circuit)	1
--	1270626GT	KIT, PLUG AND O-RING, 10K SJ P		--	44228GT	SEAL KIT, VALVE	
1	97183GT	VALVE-SOLENOID, 2POS 4WAY.....1 (Function select -boom extend)	1	15	52907GT	VALVE-CHECK, #4 SAE, 5 PSI*.....1 (Sway left circuit)	1
--	104759GT	COIL,12VDC #8 DTSCH IP69 ECOIL (and sway left)		--	62341GT	SEAL KIT,52907,SIZE 4, 2 WAY	
--	44174GT	NUT-COIL SHORT		16	52907GT	VALVE-CHECK, #4 SAE, 5 PSI*.....1 (Boom extend circuit)	1
--	44229GT	SEAL KIT, VALVE		--	62341GT	SEAL KIT,52907,SIZE 4, 2 WAY	
2	219891GT	VALVE, PROP.DIRECTIONAL.....1 (Boom extend/retract)	1	17	52907GT	VALVE-CHECK, #4 SAE, 5 PSI*.....1 (Boom down circuit)	1
--	115202GT	SEAL KIT		--	62341GT	SEAL KIT,52907,SIZE 4, 2 WAY	
3	115201GT	DIRECTIONAL VALVE.....1 (Boom up/down)	1	18	52907GT	VALVE-CHECK, #4 SAE, 5 PSI*.....1 (Fork tilt up circuit)	1
--	115202GT	SEAL KIT		--	62341GT	SEAL KIT,52907,SIZE 4, 2 WAY	
4	97183GT	VALVE-SOLENOID, 2POS 4WAY.....1 (Function select - boom down and fork tilt down)	1	19	52907GT	VALVE-CHECK, #4 SAE, 5 PSI*.....1 (Steer left/right circuit)	1
--	104759GT	COIL,12VDC #8 DTSCH IP69 ECOIL		--	62341GT	SEAL KIT,52907,SIZE 4, 2 WAY	
--	44174GT	NUT-COIL SHORT		20	52907GT	VALVE-CHECK, #4 SAE, 5 PSI*.....1 (Fork tilt down circuit)	1
--	44229GT	SEAL KIT, VALVE		--	62341GT	SEAL KIT,52907,SIZE 4, 2 WAY	
5	115203GT	DIRECTIONAL VALVE.....1 (Fork tilt up/down)	1	21	52907GT	VALVE-CHECK, #4 SAE, 5 PSI*.....1 (Boom up circuit)	1
--	115204GT	SEAL KIT		--	62341GT	SEAL KIT,52907,SIZE 4, 2 WAY	
6	97172GT	VALVE-RELIEF,3500PSI.....1 (Fork tilt up relief)	1	22	52907GT	VALVE-CHECK, #4 SAE, 5 PSI*.....1 (Boom retract circuit)	1
7	84155GT	VALVE-CHECK,100PSI,SIZE 10.....1 (Fork tilt down circuit)	1	--	62341GT	SEAL KIT,52907,SIZE 4, 2 WAY	
--	115205GT	PILOT PISTON		23	115207GT	DIRECTIONAL VALVE.....1 (Sway left/right)	1
--	44224GT	SEAL KIT, VALVE		--	115208GT	SEAL KIT	
8	84155GT	VALVE-CHECK,100PSI,SIZE 10.....1 (Fork tilt up circuit)	1	24	115209GT	FLOW REGULATOR VALVE.....1 (Fork tilt up/down circuit)	1
--	115205GT	PILOT PISTON		25	97183GT	VALVE-SOLENOID, 2POS 4WAY.....1 (Function select-boom up and fork tilt up)	1
--	44224GT	SEAL KIT, VALVE		--	104759GT	COIL,12VDC #8 DTSCH IP69 ECOIL	
9	97172GT	VALVE-RELIEF,3500PSI.....1 (Fork tilt down relief)	1	--	44174GT	NUT-COIL SHORT	
--	44227GT	SEAL KIT, VALVE		--	44229GT	SEAL KIT, VALVE	
10	115206GT	RELIEF VALVE.....1 (System relief)	1	26	97183GT	VALVE-SOLENOID, 2POS 4WAY.....1 (Function select -boom extend and sway right)	1
--	44224GT	SEAL KIT, VALVE		--	104759GT	COIL,12VDC #8 DTSCH IP69 ECOIL	
11	48997GT	NIPPLE,DIAGNOSTIC,#4.....1 (Test port 'LS')	1	--	44174GT	NUT-COIL SHORT	
--	48880GT	CAP,DIAGNOSTIC NIPPLE		--	44229GT	SEAL KIT, VALVE	
12	62324GT	VALVE,FLOW CONTROL, 0.1GPM*.....1 (Load sense drain)	1	27	115210GT	SOLENOID VALVE.....1 (Function select -sway left/right)	1
--	44228GT	SEAL KIT, VALVE		--	104759GT	COIL,12VDC #8 DTSCH IP69 ECOIL	
13	52907GT	VALVE-CHECK, #4 SAE, 5 PSI*.....1 (Sway right circuit)	1				

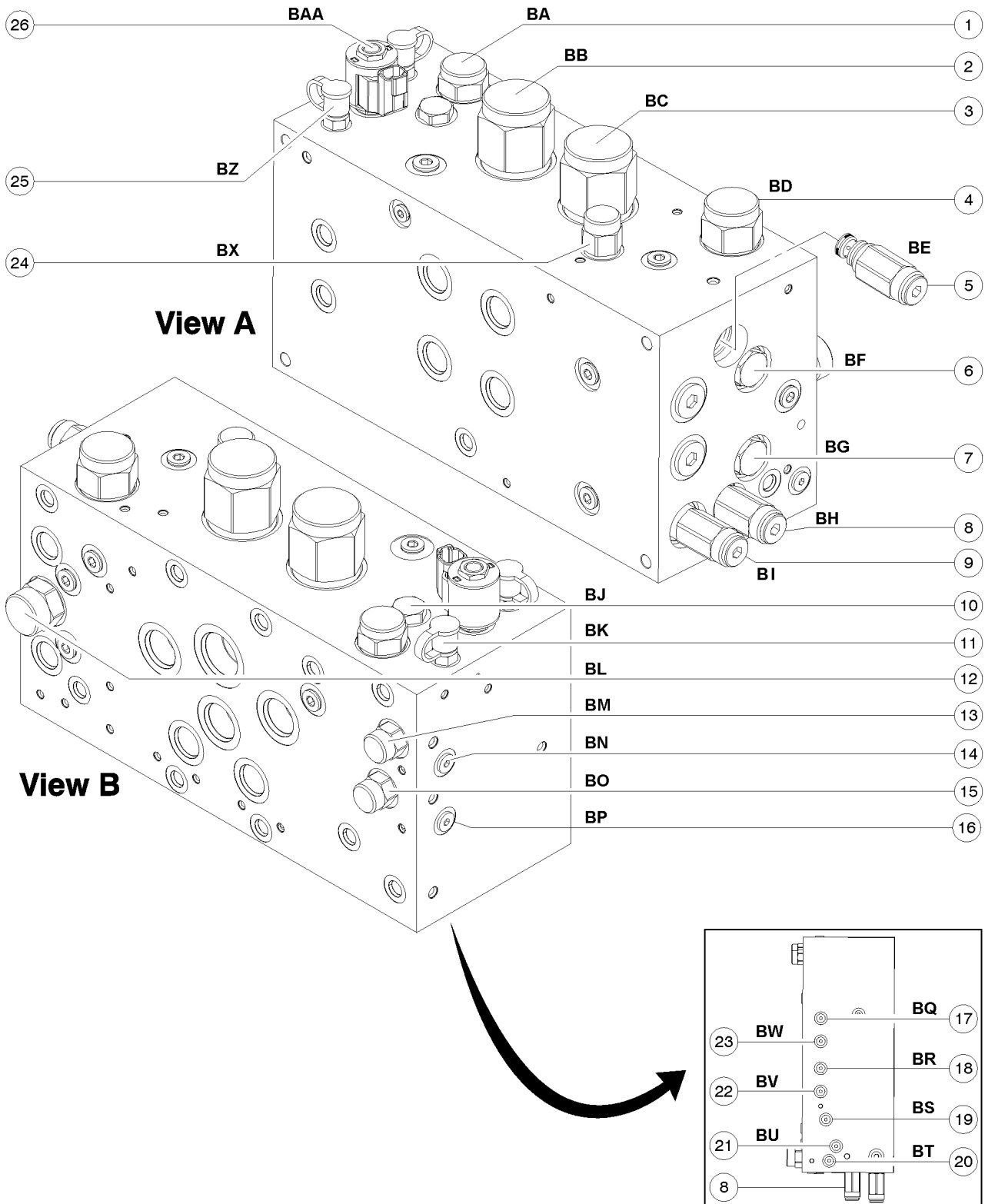
808.1 Primary Function Manifold with Single Joystick  
(continued)

Item	Part No.	Description	Qty.
--	44174GT	NUT-COIL SHORT	
--	44227GT	SEAL KIT, VALVE	

808.1 Primary Function Manifold with Single Joystick  
(continued)

*This Page Intentionally Left Blank*

809.1 Primary Function Manifold with Dual Joystick

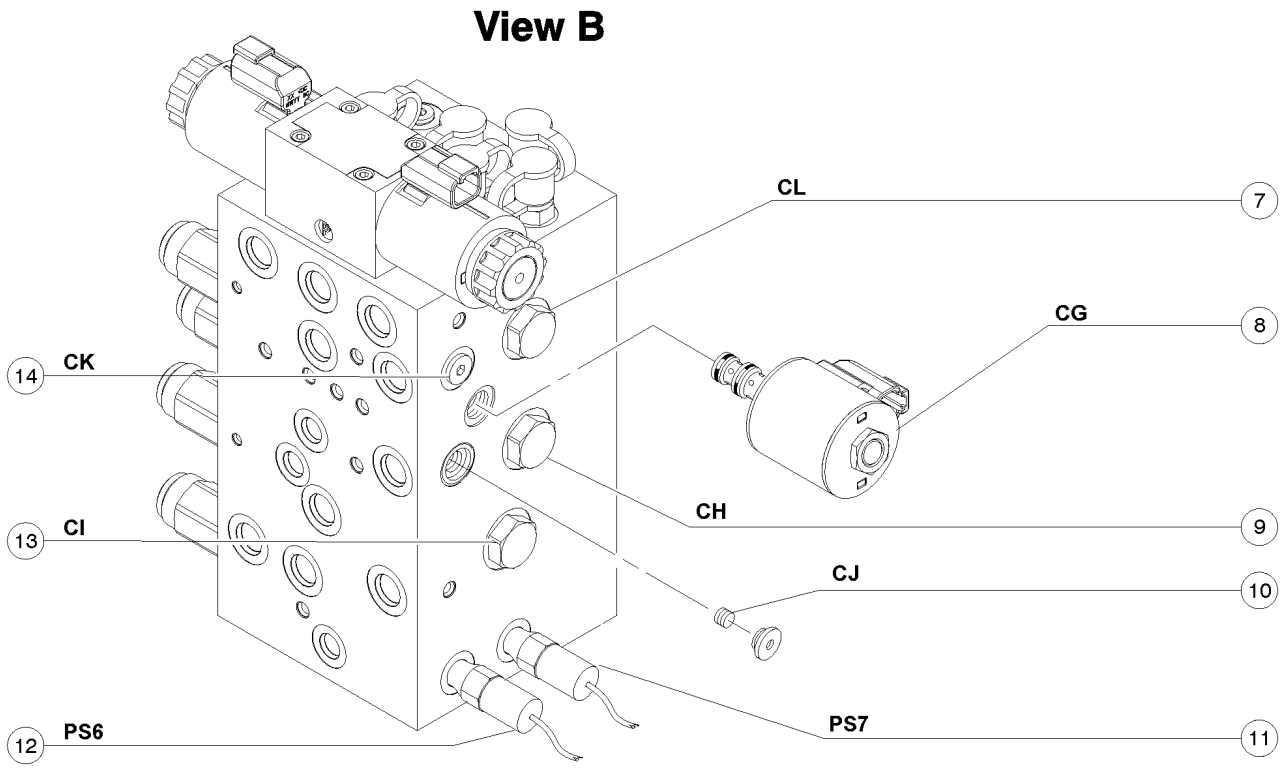
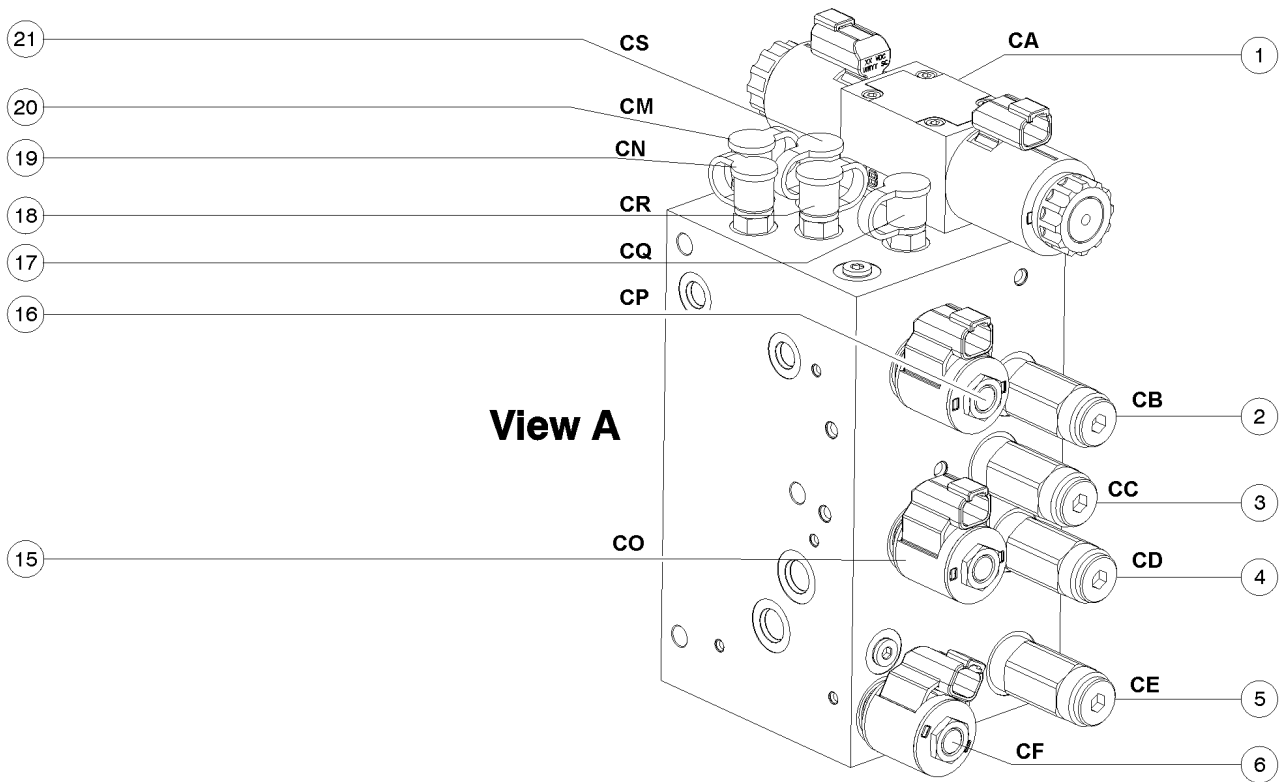




## 809.1 Primary Function Manifold with Dual Joystick

Item	Part No.	Description	Qty.	Item	Part No.	Description	Qty.
--	214435GT	MANIFOLD,DJ MAIN FUNCTION		15	62346GT	VALVE,FLOW REGULATOR, 2.0 GPM*.....1	
--	229977GT	SWITCH,PRESS,NO,50 PSI,04 OR (sway enable)				(Sway left/right circuit)	
--	1270622GT	KIT, O-RING, 10K DJ PRIMARY MA		--	44228GT	SEAL KIT, VALVE	
--	1270627GT	KIT, PLUG AND O-RING, 10K DJ P		16	52907GT	VALVE-CHECK, #4 SAE, 5 PSI*.....1	
1	115207GT	DIRECTIONAL VALVE.....1				(Sway right circuit)	
		(Sway left/right)		--	62341GT	SEAL KIT,52907,SIZE 4, 2 WAY	
--	115208GT	SEAL KIT		17	52907GT	VALVE-CHECK, #4 SAE, 5 PSI*.....1	
2	219891GT	VALVE, PROP. DIRECTIONAL.....1				(Boom extend circuit)	
		(Boom extend/retract)		--	62341GT	SEAL KIT,52907,SIZE 4, 2 WAY	
--	115202GT	SEAL KIT		18	52907GT	VALVE-CHECK, #4 SAE, 5 PSI*.....1	
3	115201GT	DIRECTIONAL VALVE.....1				(Boom down circuit)	
		(Boom up/down)		--	62341GT	SEAL KIT,52907,SIZE 4, 2 WAY	
--	115202GT	SEAL KIT		19	52907GT	VALVE-CHECK, #4 SAE, 5 PSI*.....1	
4	115203GT	DIRECTIONAL VALVE.....1				(Fork tilt down circuit)	
		(Fork tilt up/down)		--	62341GT	SEAL KIT,52907,SIZE 4, 2 WAY	
--	115204GT	SEAL KIT		20	52907GT	VALVE-CHECK, #4 SAE, 5 PSI*.....1	
5	97172GT	VALVE-RELIEF,3500PSI.....1				(Steer left/right circuit)	
		(Fork tilt up relief)		--	62341GT	SEAL KIT,52907,SIZE 4, 2 WAY	
6	84155GT	VALVE-CHECK,100PSI,SIZE 10.....2		21	52907GT	VALVE-CHECK, #4 SAE, 5 PSI*.....1	
		(Fork tilt down circuit)				(Fork tilt up circuit)	
--	115205GT	PILOT PISTON		--	62341GT	SEAL KIT,52907,SIZE 4, 2 WAY	
--	44224GT	SEAL KIT, VALVE		22	52907GT	VALVE-CHECK, #4 SAE, 5 PSI*.....1	
7	84155GT	VALVE-CHECK,100PSI,SIZE 10.....1				(Boom up circuit)	
		(ork tilt up circuit)		--	62341GT	SEAL KIT,52907,SIZE 4, 2 WAY	
--	115205GT	PILOT PISTON		23	52907GT	VALVE-CHECK, #4 SAE, 5 PSI*.....1	
--	44224GT	SEAL KIT, VALVE				(Boom retract circuit)	
8	97172GT	VALVE-RELIEF,3500PSI.....1		--	62341GT	SEAL KIT,52907,SIZE 4, 2 WAY	
		(Fork tilt down relief)		24	115225GT	DIRECTIONAL VALVE,2POS,2WAY.....1	
--	44227GT	SEAL KIT, VALVE				(Fork tilt circuit)	
9	115206GT	RELIEF VALVE.....1		--	62337GT	SEAL KIT, VALVE	
		(System relief)		25	48997GT	NIPPLE,DIAGNOSTIC,#4.....1	
--	44224GT	SEAL KIT, VALVE				(Test port)	
10	52370GT	VALVE,SHUTTLE,GS68.....1		--	48880GT	CAP,DIAGNOSTIC NIPPLE	
		(Function select-sway left/right)		26	115210GT	SOLENOID VALVE.....1	
--	52371GT	SEAL KIT, VALVE				(Function select - sway left/right)	
11	48997GT	NIPPLE,DIAGNOSTIC,#4.....1		--	104759GT	COIL,12VDC #8 DTSCH IP69 ECOIL	
		(Test port)		--	44174GT	NUT-COIL SHORT	
--	48880GT	CAP,DIAGNOSTIC NIPPLE		--	44227GT	SEAL KIT, VALVE	
12	115209GT	FLOW REGULATOR VALVE.....1					
		(Fork tilt up/down circuit)					
--	52373GT	SEAL KIT,52372,SOLENOID VALVE					
13	62324GT	VALVE,FLOW CONTROL, 0.1GPM*.....1					
		(Pilot pressure drain circuit)					
--	44228GT	SEAL KIT, VALVE					
14	52907GT	VALVE-CHECK, #4 SAE, 5 PSI*.....1					
		(Sway left circuit)					

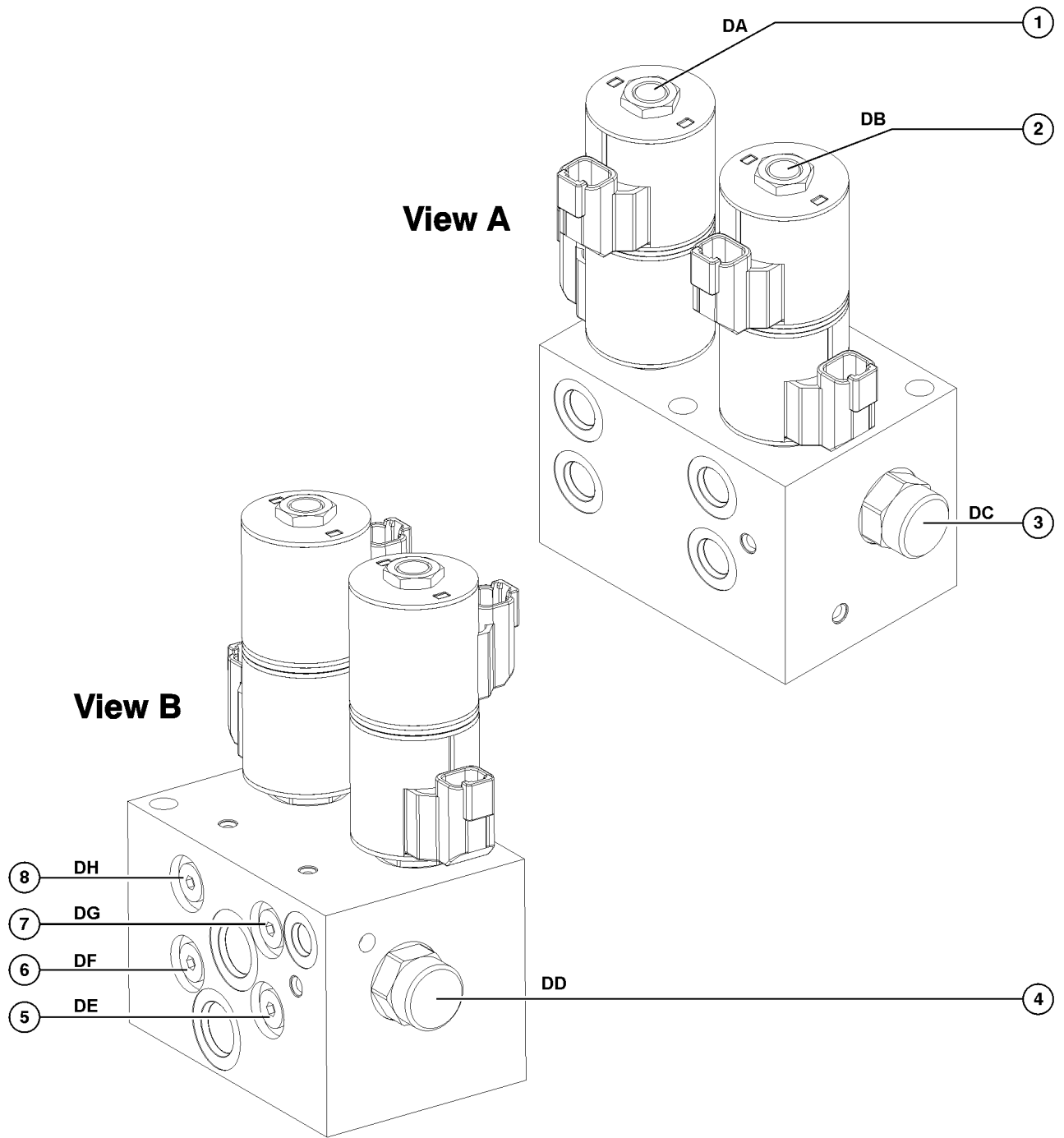
810.1 Secondary Function Manifold



## 810.1 Secondary Function Manifold

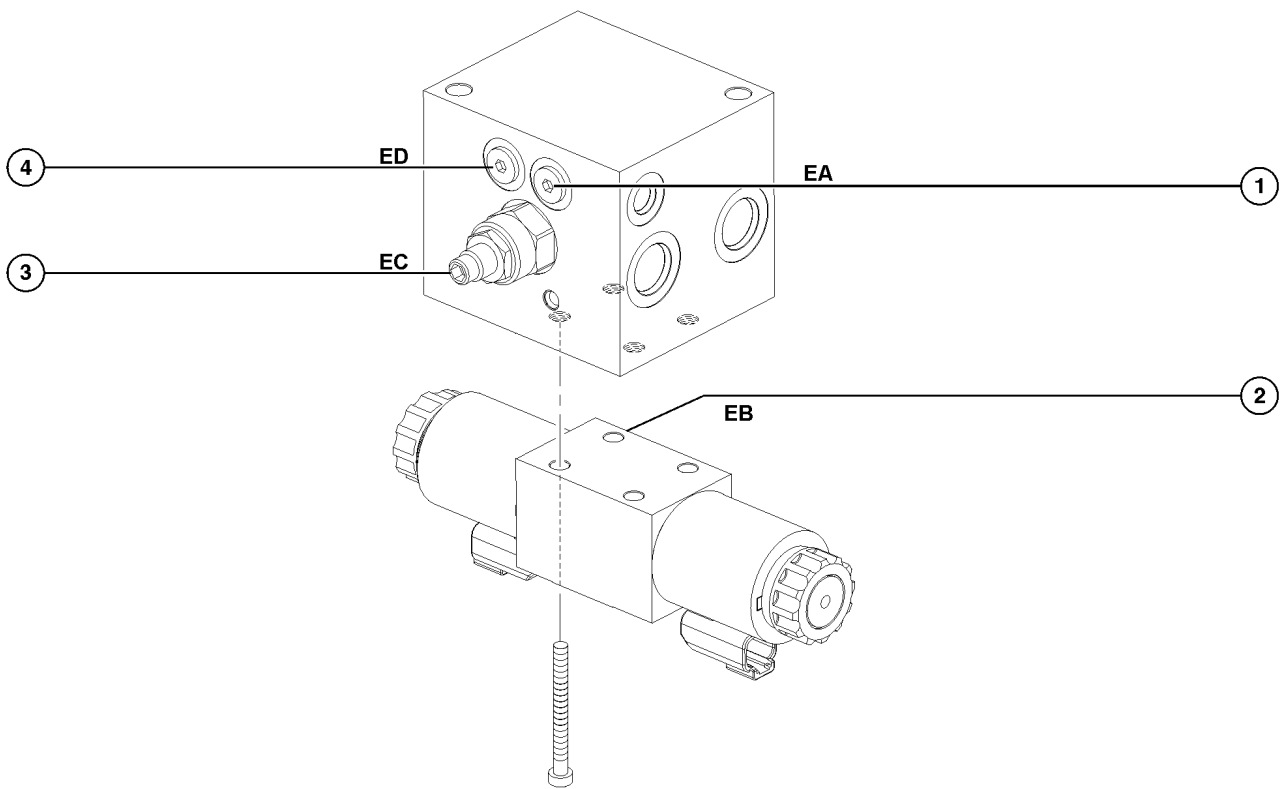
Item	Part No.	Description	Qty.	Item	Part No.	Description	Qty.
--	117167GT	MANIFOLD,SECONDARY FUNCTION		10	115216GT	ORIFICE, 0.059 INCH.....1 (Rear lock-up extend circuit)	1
--	1270612GT	KIT, O-RING, 10K SECONDARY MAN		11	123685GT	HARNESS,SERV BRK PRESS SWITCH.....1 (Low brake pressure) purple and blue wires with female deutsch (square) connector.	1
--	1270623GT	KIT, PLUG AND O-RING, 10K SECO		--	229973GT	SWITCH PRESSURE NC, 350PSI (square-shaped connector)	
1	115211GT	D03 VALVE, 3 POS 4 WAY.....1 (Steer left/right)	1	12	123684GT	HARNESS,PARK BRK PRESS SWITCH.....1 (Parking brake pressure) purple and red wire with male deutz (square) connector.	1
--	102395GT	SEAL KIT,REXROTH DO3 VALVE		--	229975GT	SWITCH PRESSURE NO, 250PSI (triangle-shaped connector)	
--	104764GT	COIL,12V D03 ZENER DIODE		13	107740GT	VALVE, CHECK 25 PSI.....1 (Drive brake circuit)	1
--	56934GT	PAD,REST,1"THICK,FLANGED		14	115217GT	ORIFICE, 0.051 INCH.....1 (Rear lock-up retract circuit)	1
2	115212GT	PRESSURE REDUCING VALVE 50 PSI.....1 (Rear lock-up circuit)	1	15	89862GT	VALVE-SOLENOID,2POS 3WAY,JIB** .....1 (Rear axle oscillate enable select)	1
--	105695GT	SEAL KIT (Seal kit for 1262285)		--	104759GT	COIL,12VDC #8 DTSCH IP69 ECOIL	
--	1262285GT	VALVE, REDUCING, RELIEVING 50 PSI.....1 (New stud and nut style adjustment)	1	--	44174GT	NUT-COIL SHORT	
3	115213GT	PRESS REDUCING VALVE 400 PSI.....1 (Differential lock-up circuit)	1	--	89864GT	SEAL KIT,SOLENOID VALVE, SV07	
--	1262289GT	VALVE, REDUCING, RELIEVING 400 PSI.....2 (New stud and nut style adjustment)	2	16	89862GT	VALVE-SOLENOID,2POS 3WAY,JIB** .....1 (Differential lock-up select)	1
--	84114GT	SEAL KIT (Seal kit for 1262289)		--	104759GT	COIL,12VDC #8 DTSCH IP69 ECOIL	
4	115214GT	PRESS REDUCING VALVE 2500 PSI.....1 (Steer circuit)	1	--	44174GT	NUT-COIL SHORT	
--	1262286GT	VALVE, REDUCING, RELIEVING.....1 (New stud and nut style adjustment)	1	--	89864GT	SEAL KIT,SOLENOID VALVE, SV07	
--	84114GT	SEAL KIT (Seal kit for 1262286)		17	48997GT	NIPPLE,DIAGNOSTIC,#4.....1 (Differential lock pressure test point)	1
5	115213GT	PRESS REDUCING VALVE 400 PSI.....1 (Drive brake circuit)	1	--	45643GT	CAP,DUST,DIAGNOSTIC NIPPLE***	
--	1262289GT	VALVE, REDUCING, RELIEVING 400 PSI.....1 (New stud and nut style adjustment)	1	18	48997GT	NIPPLE,DIAGNOSTIC,#4.....1 (Steer pressure test point)	1
--	84114GT	SEAL KIT (Seal kit for 1262289)		--	45643GT	CAP,DUST,DIAGNOSTIC NIPPLE***	
6	89862GT	VALVE-SOLENOID,2POS 3WAY,JIB** .....1 (Parking brake select)	1	19	48997GT	NIPPLE,DIAGNOSTIC,#4.....1 (Parking brake pressure test point)	1
--	104759GT	COIL,12VDC #8 DTSCH IP69 ECOIL		--	45643GT	CAP,DUST,DIAGNOSTIC NIPPLE***	
--	44174GT	NUT-COIL SHORT		20	48997GT	NIPPLE,DIAGNOSTIC,#4.....1 (Brake accumulator test point)	1
--	89864GT	SEAL KIT,SOLENOID VALVE, SV07		--	45643GT	CAP,DUST,DIAGNOSTIC NIPPLE***	
7	52368GT	VALVE,CHECK,GS68 (SIZE8 8).....1 (Rear lock-up retract circuit)	1	21	48997GT	NIPPLE,DIAGNOSTIC,#4.....1 (Rear axle pressure test point)	1
8	115215GT	SOLENOID VALVE, 2 POS 4 WAY.....1 (Rear axle fast oscillate select)	1	--	45643GT	CAP,DUST,DIAGNOSTIC NIPPLE***	
--	104760GT	COIL,12VDC #10DTSCH IP69 ECOIL					
--	44174GT	NUT-COIL SHORT					
--	44230GT	SEAL KIT-P.N.44169,44172,44171					
9	52368GT	VALVE,CHECK,GS68 (SIZE8 8).....1 (Rear lock-up extend circuit)	1				

811.1 Stabilizer Manifold



Item	Part No.	Description	Qty.
--	117390GT	MANIFOLD,STABILIZER	
--	1270611GT	KIT, O-RING, 10K STABILIZER MANIFOLD	
1	62330GT	VALVE,SOLENOID,3POS 4WAY*** <i>(Left outrigger extend/retract)</i>	
--	104760GT	COIL,12VDC #10DTSCH IP69 ECOIL	
--	44174GT	NUT-COIL SHORT	
--	44230GT	SEAL KIT-P.N.44169,44172,44171	
2	62330GT	VALVE,SOLENOID,3POS 4WAY*** <i>(Right outrigger extend/retract)</i>	
--	104760GT	COIL,12VDC #10DTSCH IP69 ECOIL	
--	44174GT	NUT-COIL SHORT	
--	44230GT	SEAL KIT-P.N.44169,44172,44171	
3	62125GT	VALVE,FLOW REG/6.0GPM(59599)* <i>(Right outrigger circuit)</i>	
--	52378GT	SEAL KIT,SOLENOID(52377)	
4	62125GT	VALVE,FLOW REG/6.0GPM(59599)* <i>(Left outrigger circuit)</i>	
--	52378GT	SEAL KIT,SOLENOID(52377)	
5	52907GT	VALVE-CHECK, #4 SAE, 5 PSI* <i>(Left outrigger extend circuit)</i>	
6	52907GT	VALVE-CHECK, #4 SAE, 5 PSI* <i>(Right outrigger extend circuit)</i>	
7	52907GT	VALVE-CHECK, #4 SAE, 5 PSI* <i>(Left outrigger retract circuit)</i>	
8	52907GT	VALVE-CHECK, #4 SAE, 5 PSI* <i>(Right outrigger retract circuit)</i>	

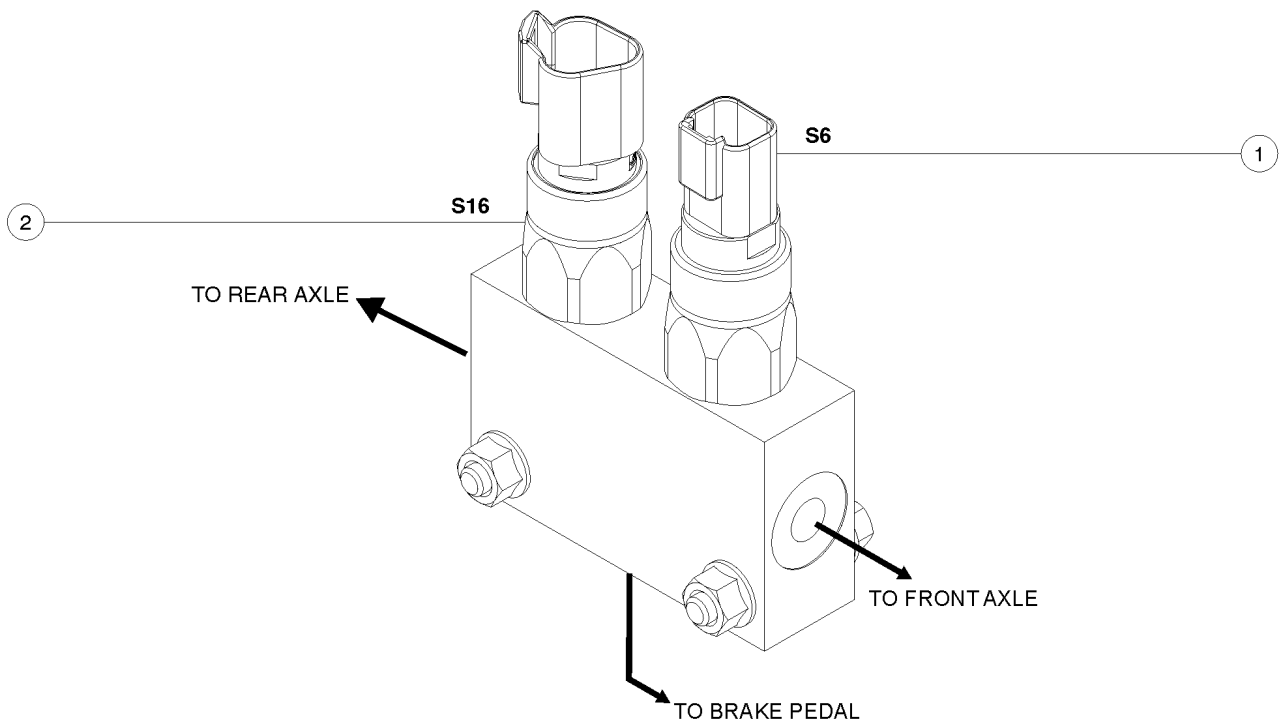
812.1 Auxiliary Manifold



## 812.1 Auxiliary Manifold

Item	Part No.	Description	Qty.
--	117391GT	MANIFOLD,AUXILIARY	
--	1270618GT	KIT, O-RING, AUXILIARY MANIFOL	
1	52907GT	VALVE-CHECK, #4 SAE, 5 PSI* .....1 (Auxiliary 'A1' circuit)	
2	102394GT	VLV,SOL,DO3,REXROTH,3POS 4 WAY .....1 (Auxiliary function enable)	
--	102395GT	SEAL KIT,REXROTH DO3 VALVE	
--	104764GT	COIL,12V D03 ZENER DIODE	
--	43255GT	SCREW,SHC,10-24 X 2	
3	115218GT	FLOW REGULATOR VALVE.....1 (Function speed control)	
--	52378GT	SEAL KIT,SOLENOID(52377)	
4	52907GT	VALVE-CHECK, #4 SAE, 5 PSI* .....1 (Auxiliary 'A2' circuit)	

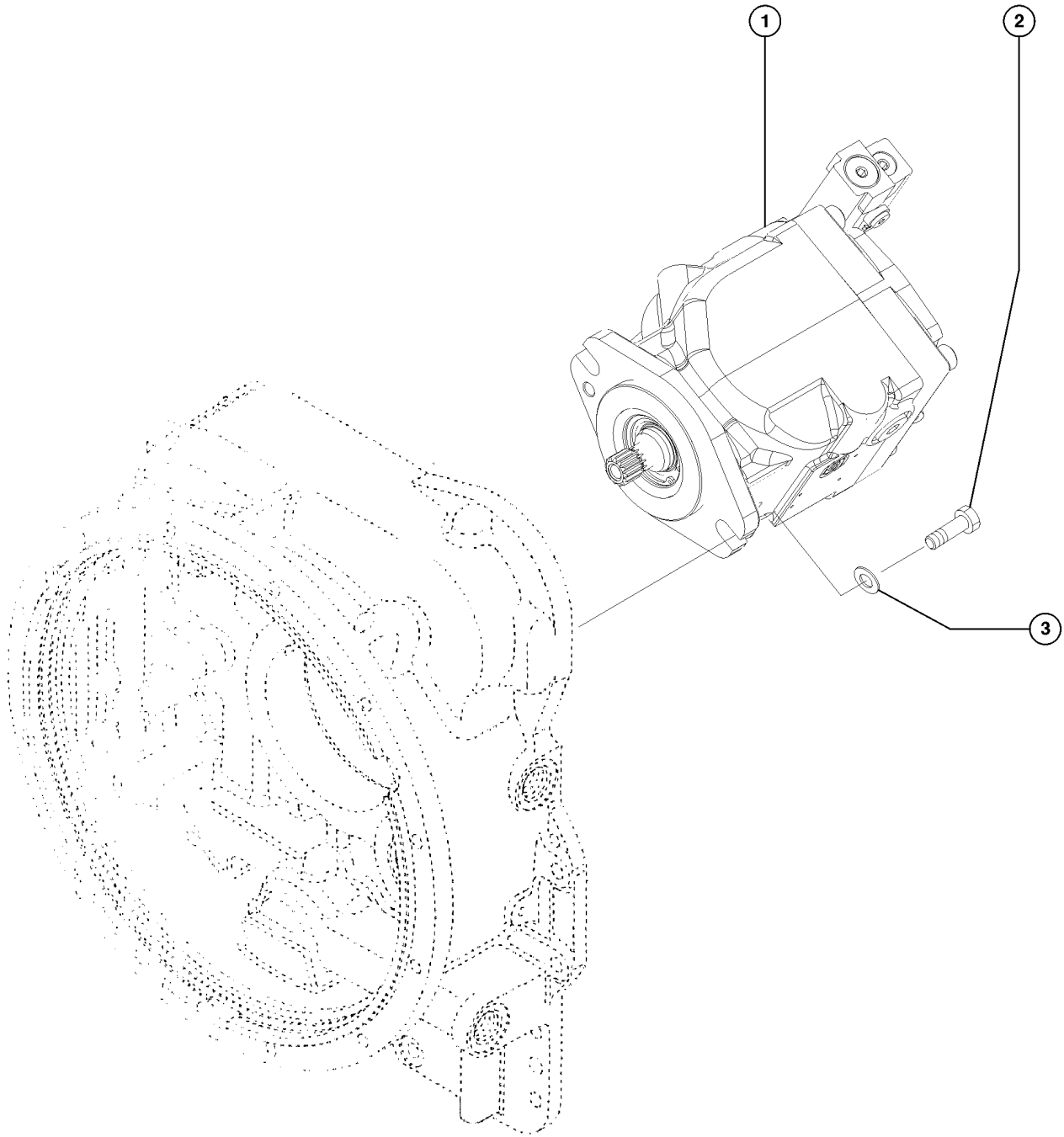
813.1 Brake Manifold





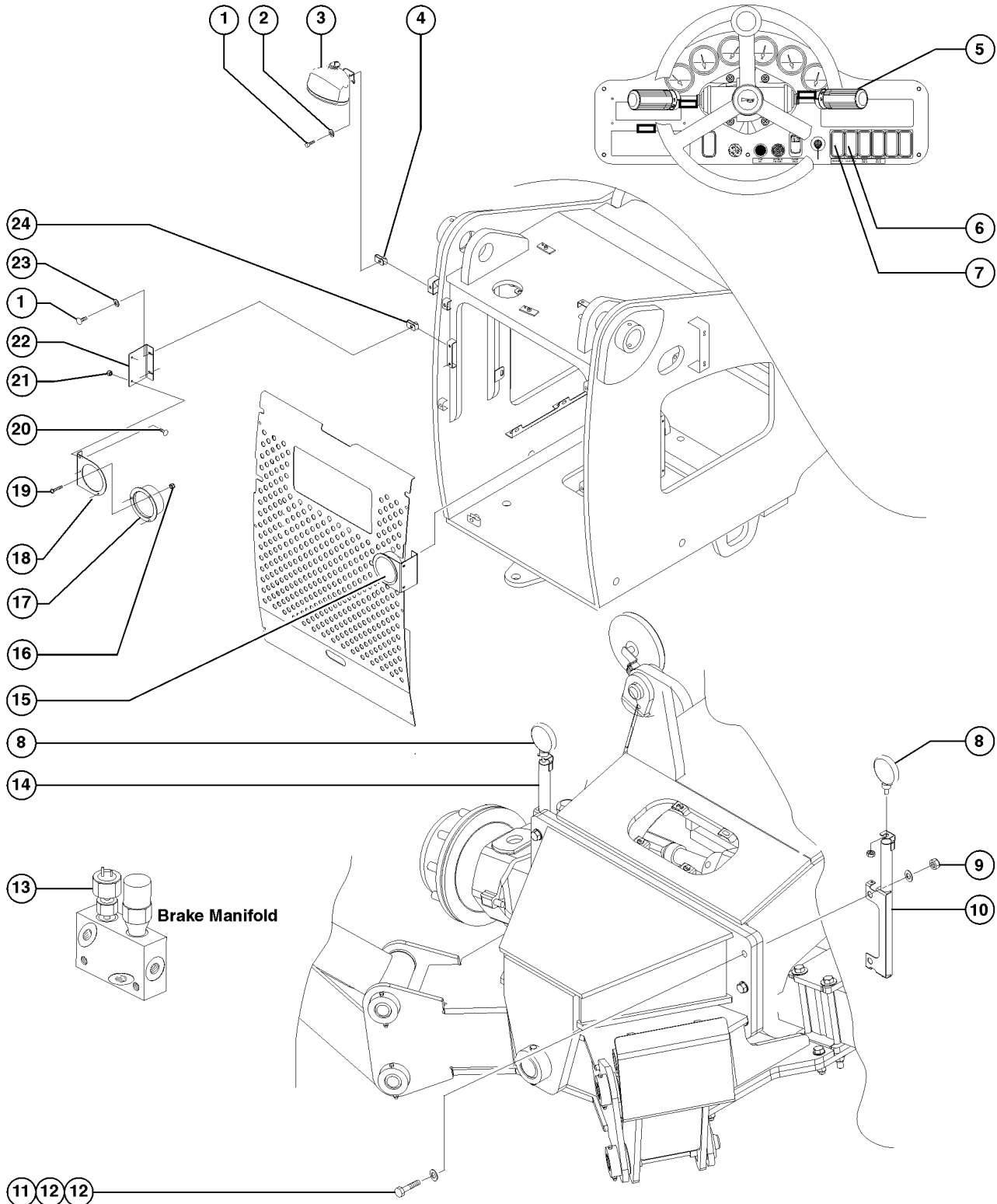
Item	Part No.	Description	Qty.
--	117655GT	MANIFOLD,BRAKE PRESSURE	
1	229976GT	SWITCH PRESSURE NC,450PSI	
2	229977GT	SWITCH,PRESS,NO,50 PSI,04 OR	

814.1 Hydraulic Pump



Item	Part No.	Description	Qty.
--	7-112-63GT	SEAL KIT / PUMP OVERHAUL	
1	824527GT	PUMP,SAUER 60CC LS PHASE 2.....1 <i>(refer to 315.1)</i>	
2	126663GT	SCREW,HHC,1/2-13X1.25,GR8,Y.....2	
3	13066GT	WASHER,FLAT,5 HARDENED.....2	

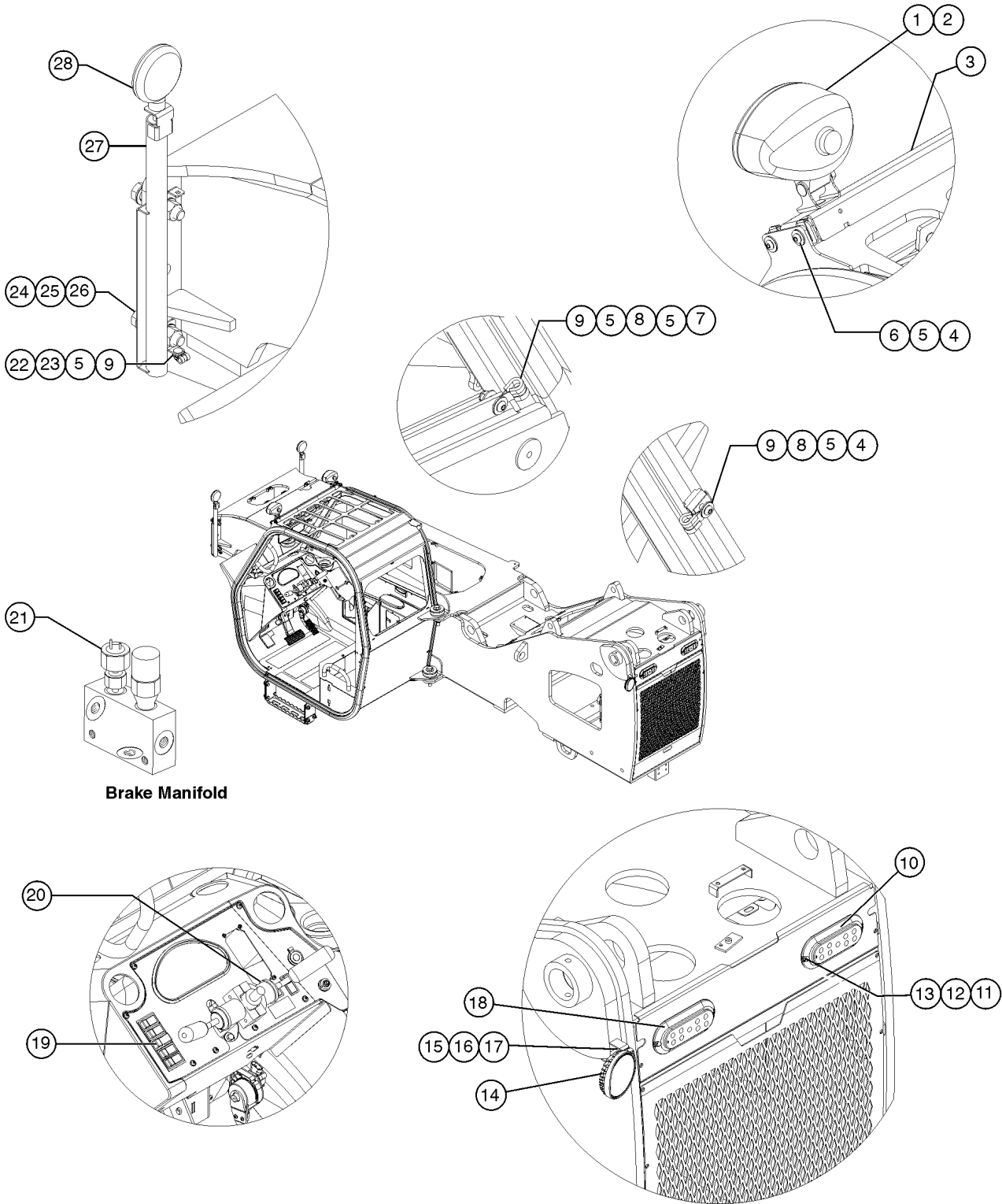
901.1 Road and Work Light Accessory (to serial number GTH1012-16291)



## 901.1 Road and Work Light Accessory (to serial number GTH1012-16291)

Item	Part No.	Description	Qty.	Item	Part No.	Description	Qty.
--	138065GT	SVC KIT,WORKLIGHTS,10XX REV.4		15D	230683GT	ROAD LIGHT,RED,LED.....1 (from SN 11-15246)	1
--	138066GT	SVC KIT,ROADLIGHTS,10XX REV.4		16	6-6286-04GT	NUT.....6	6
1	6090GT	SCREW,HHC,1/4-20 X .75.....1	1	17A	123803GT	TAIL LIGHT.....1 (to SN 11-15245)(light and harness) (models with work light option) (for harnesses, refer to 903.1)	1
2	6097GT	WASHER,FLAT,USS,3/8",Y.....1	1	--	7-289-04GT	LIGHT,BRAKE,TAIL,TURN.....1 (red)	1
3A	1256223GT	HARNESS, ROADLIGHT, STD.....1 (to SN 11-15245)(models with road light option) (for harnesses, refer to 902.1)	1	17B	230682GT	TAIL LIGHT,RED,LED.....1 (from SN 11-15246)	1
--	7-289-05GT	LIGHT,HEADLIGHT		17C	123804GT	BACK-UP LIGHT.....1 (to SN 11-15245)	1
3B	123925GT	HARNESS, ROAD LIGHT,LED.....1 (from SN 11-15246)(models with road light option) (for harnesses, refer to 902.1)	1	--	7-289-07GT	LIGHT,BACK-UP,CLEAR	
4	29868GT	SPRING CLIP,3/8-16,.05-.20X.73,ZAG....1	1	17D	230681GT	WORKLIGHT,REAR,WHITE,LED.....1	1
5	7-125-06GT	SWITCH, TURN SIGNAL.....1 (models with road light option) (for harnesses, refer to 902.1)	1	18	123711GT	FORMING,TAIL LIGHT, MOUNT.....2	2
6	7-164-02GT	SWITCH,LIGHTS.....1 (models with road light option) (for harnesses, refer to 902.1)	1	19	55906GT	SCREW,PHILLIPS,PHM,8-32 X .5.....6	6
7	7-164-02GT	SWITCH,LIGHTS.....1 (models with light options) (for harnesses, refer to 902.1 and 903.1)	1	20	6878GT	BOLT,CARRIAGE,1/4-20 X .75,G2.....4	4
8	123929GT	ROAD LIGHT, BLINKER.....1 (models with road light option) (for harnesses, refer to 902.1)	1	21	6091GT	NUT,NYLOCK,1/4-20.....4	4
--	7-289-03GT	LIGHT,PEDESTAL BLINKER AMBER....2 (models with road light option) (for harnesses, refer to 902.1)	2	22	123712GT	FORMING,TAIL LIGHT,ADAPTER.....2	2
9	77051GT	NUT,NYLOCK,3/4-10,GRD.8.....1	1	23	6638GT	WASHER,FLAT,USS,1/4"Y.....4	4
10	123714GT	WELDMENT,LIGHT BAR,LT.....1	1	24	56912GT	SPRING CLIP,1/4-20,.025-.15X.54,ZAG.....4	4
11	117470GT	SCREW,HHC,3/4-10X3.50,GR8.....1	1				
12	33278GT	WASHER,FLAT,.75 HARDENED					
13		Ref. SWITCH,PRESS,NO,50 PSI,04 OR.....1 (refer to 813.1)	1				
14	123715GT	WELDMENT,LIGHT BAR,RT.....1	1				
15A	123804GT	BACK-UP LIGHT (to SN 11-15245)(clear) (light and harness) (models with work light option) (for harnesses, refer to 903.1)					
--	7-289-07GT	LIGHT,BACK-UP,CLEAR.....1 (models with work light option) (for harnesses, refer to 903.1)	1				
15B	230681GT	WORKLIGHT,REAR,WHITE,LED.....1 (from SN 11-15246)(models with work light option) (for harnesses, refer to 903.1)	1				
15C	123928GT	ROAD LIGHT,TAIL LT.....1 (to SN 11-15245)(light and harness) (models with road light option) (for harnesses, refer to 902.1)	1				
--	7-289-04GT	LIGHT,BRAKE,TAIL,TURN (red) (models with road light option) (for harnesses, refer to 902.1)					

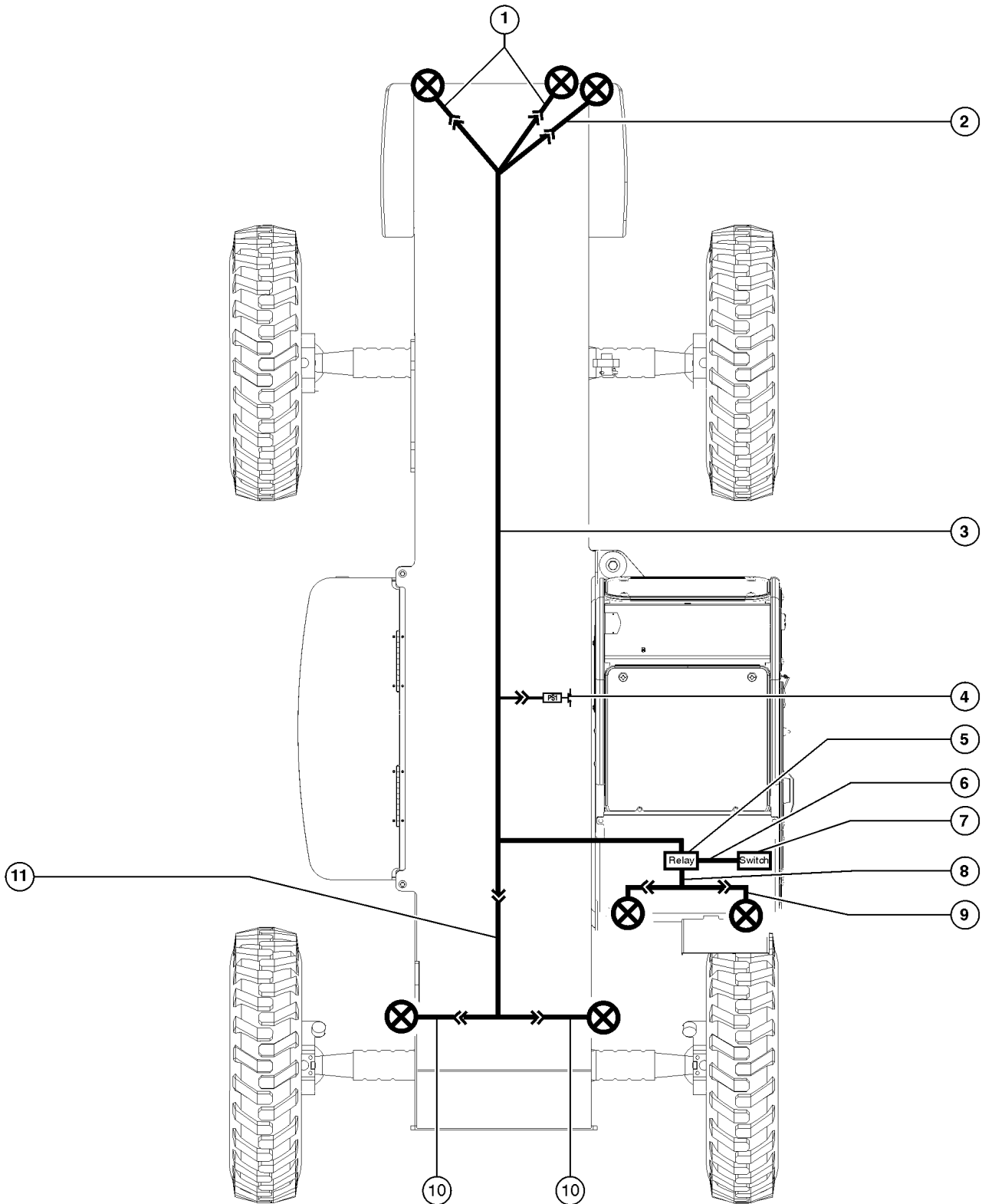
901.2 Road and Work Light Accessory (from serial number GTH1012-16292)



## 901.2 Road and Work Light Accessory (from serial number GTH1012-16292)

Item	Part No.	Description	Qty.
--		SVC KIT,ROADLIGHTS,10XX REV.4 (refer to 215416 Opt, Road Lights, GTH1056)	
1	233989GT	HARNESS, CAB LIGHT.....2 (includes 7-162-02)	
2	7-162-02GT	CAB LIGHT.....2	
--	7-319-31GT	BULB / HEADLIGHT for 7-162-02 for 7-162-02	
3	230032GT	FORMING,LIGHT BAR.....1	
--	124728GT	CLAMP,0.44,#7X1/4,RUB CUSH.....2	
4	11968GT	SCREW,BHHS,1/4-20 X 1.....4	
5	6638GT	WASHER,FLAT,USS,1/4"Y.....4	
6	56912GT	SPRING CLIP,1/4-20,.025-.15X.54,ZAG.....4	
7	124728GT	CLAMP,0.44,#7X1/4,RUB CUSH	
8	14297GT	SCREW,BHHS,1/4-20 X .75	
9	6091GT	NUT,NYLOCK,1/4-20	
10	229684GT	LIGHT, LED RED BRAKE TAIL TURN	
11	77048GT	SCREW,PHM,10-32X3/4,ST TYPE F	
12	6146GT	WASHER,FLAT,MS,#10,Y	
13	6178GT	NUT,NYLOCK,10-32	
14	215481GT	LIGHT, LED WHITE 12V	
15	49379GT	SCREW,HHC,M8 X 1.25 X 25	
16	49408GT	WASHER,LOCK,M8	
17	22571GT	NUT,HEX,M8 X 1.25	
18	229676GT	LIGHT LED WHITE BACKUP 12V	
19	236348GT	SWITCH, LIGHTS	
20	7-125-06GT	SWITCH, TURN SIGNAL	
--	108673GT	SCREW,MACHINE,10-32X2.25BLK.....2	
--	15513GT	NUT,HEX,10-32.....2	
21	229977GT	SWITCH,PRESS,NO,50 PSI,04 OR	
22	45470GT	CLAMP,0.31,#5 X 1/4,RUB CUSH	
23	6878GT	BOLT,CARRIAGE,1/4-20 X .75,G2	
24	117470GT	SCREW,HHC,3/4-10X3.50,GR8	
25	33278GT	WASHER,FLAT,.75 HARDENED	
26	77051GT	NUT,NYLOCK,3/4-10,GRD.8	
27	55987-2000GT	TUBE,RD,STL,1.375X.095X20"A513	
28	7-289-03GT	LIGHT,PEDESTAL BLINKER AMBER	

902.1 Road Light Wire Harnesses

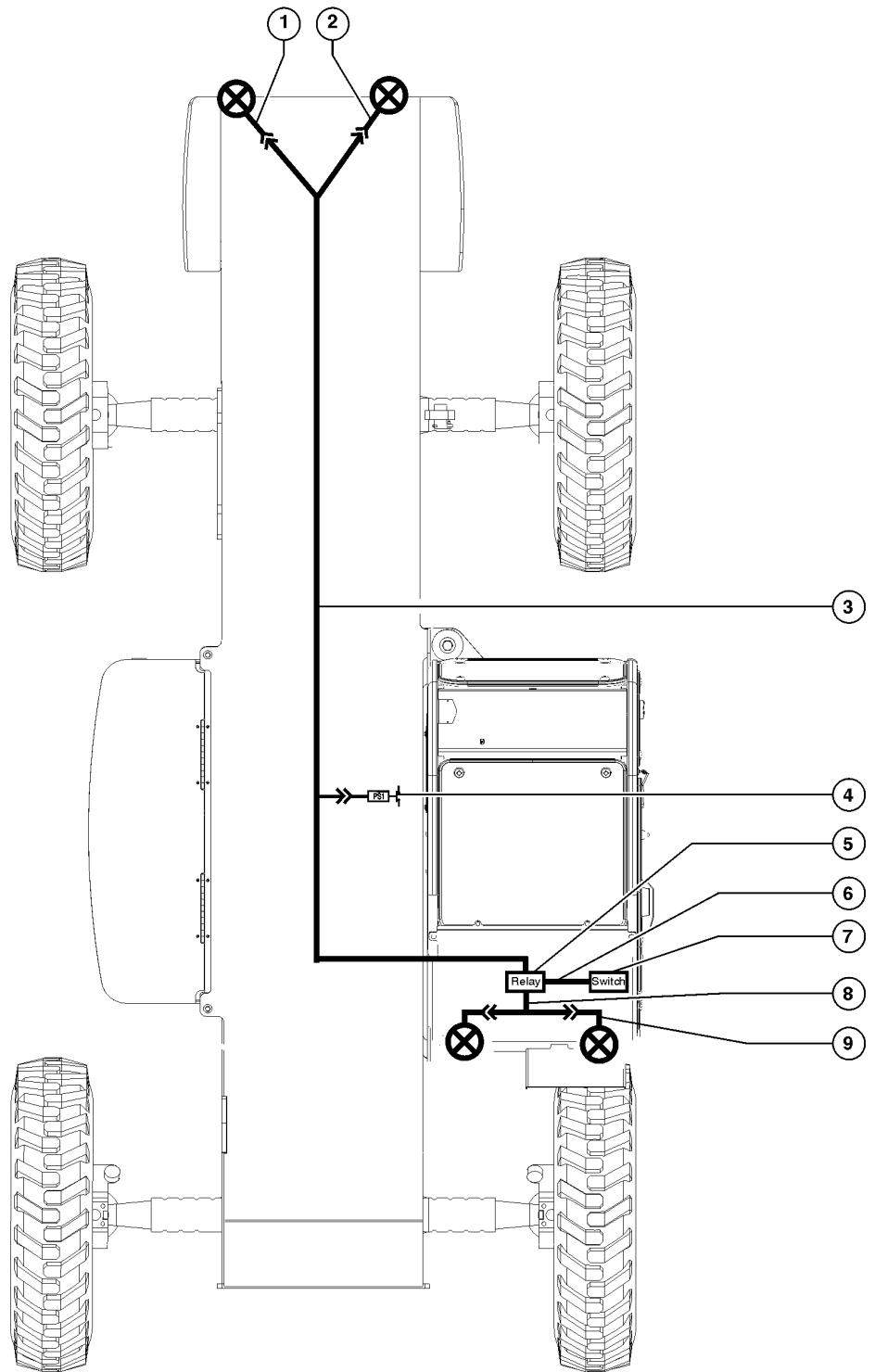




## 902.1 Road Light Wire Harnesses

Item	Part No.	Description	Qty.
1A	123928GT	ROAD LIGHT, TAIL LT.....2 <i>(light and harness) (road light option) (to SN 11-15245)</i>	
--	7-289-04GT	LIGHT, BRAKE, TAIL, TURN	
1B	230683GT	ROAD LIGHT, RED, LED.....2 <i>(from SN 11-15246 to 12-16291)</i>	
1C	229684GT	LIGHT, LED RED BRAKE TAIL TURN....2 <i>(from SN 12-16292)</i>	
2A	1256223GT	HARNESS, ROADLIGHT, STD.....1 <i>(light and harness) (road light option) (to SN 11-15245)</i>	
--	7-289-05GT	LIGHT, HEADLIGHT	
2B	123925GT	HARNESS, ROAD LIGHT, LED <i>(from SN 11-15246 to 12-16291)</i>	
2C	215481GT	LIGHT, LED WHITE 12V <i>(from SN 12-16292)</i>	
3	123927GT	HARNESS, ROAD LIGHT, TURN SIG.....1 <i>(road light option)</i>	
4	117659GT	SWITCH, PRESS, NO, 50 PSI, 04 OR.....1	
--	141653GT	KIT, BRAKE LT PS-FIELD REPLACE	
5	19274GT	RELAY, SPDT, 12V(AUTO)**.....1	
6	123816GT	HARNESS, WORK LIGHTS, SWITCH.....1	
7	7-164-02GT	SWITCH, LIGHTS.....1	
8	123799GT	HARNESS, WORKLIGHTS, FORWARD...1	
9	123802GT	HEAD LIGHT.....2 <i>(light and harness)</i>	
10	123929GT	ROAD LIGHT, BLINKER.....2 <i>(light and harness) (road light option)</i>	
--	7-289-03GT	LIGHT, PEDESTAL BLINKER AMBER	
11	123924GT	HARNESS, ROAD LIGHT, FORWARD.....1 <i>(road light option)</i>	

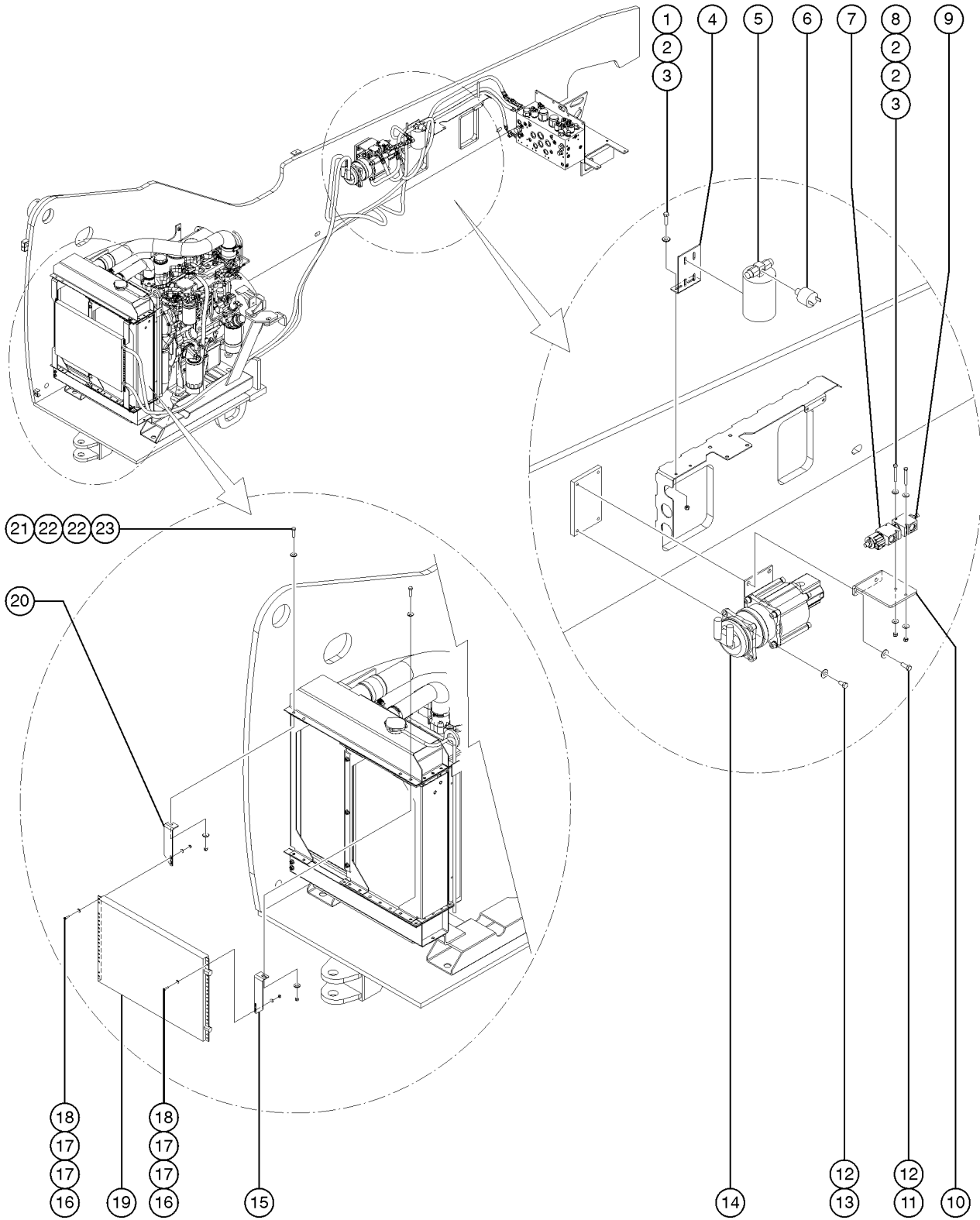
903.1 Work Light Wire Harnesses



## 903.1 Work Light Wire Harnesses

Item	Part No.	Description	Qty.
1A	123804GT	BACK-UP LIGHT.....1 <i>(light and harness) (to SN 11-15245)</i>	
--	7-289-07GT	LIGHT,BACK-UP,CLEAR	
1B	230681GT	WORKLIGHT,REAR,WHITE,LED.....1 <i>(from SN 11-15246 to 12-16291)</i>	
1C	229676GT	LIGHT LED WHITE BACKUP 12V <i>(from SN 12-16292)</i>	
2A	123803GT	TAIL LIGHT.....1 <i>(light and harness) (to SN 11-15245)</i>	
--	7-289-04GT	LIGHT,BRAKE,TAIL,TURN	
2B	230682GT	TAIL LIGHT,RED,LED <i>(light and harness) (from SN 11-15246 to 12-16291)</i>	
2C	229684GT	LIGHT, LED RED BRAKE TAIL TURN <i>(light and harness) (from SN 12-16292)</i>	
3	123798GT	HARNESS,WORK LIGHTS, BACK.....1	
4	117659GT	SWITCH,PRESS,NO,50 PSI,04 OR.....1	
--	141653GT	KIT,BRAKE LT PS-FIELD REPLACE	
5	19274GT	RELAY,SPDT,12V(AUTO)**.....1	
6	123816GT	HARNESS,WORK LIGHTS,SWITCH.....1	
7	7-164-02GT	SWITCH,LIGHTS.....1	
8	123799GT	HARNESS,WORKLIGHTS,FORWARD...1	
9	123802GT	HEAD LIGHT.....2 <i>(light and harness)</i>	
--	7-162-02GT	CAB LIGHT	
--	7-319-31GT	BULB / HEADLIGHT for 7-162-02 <i>for 7-162-02</i>	

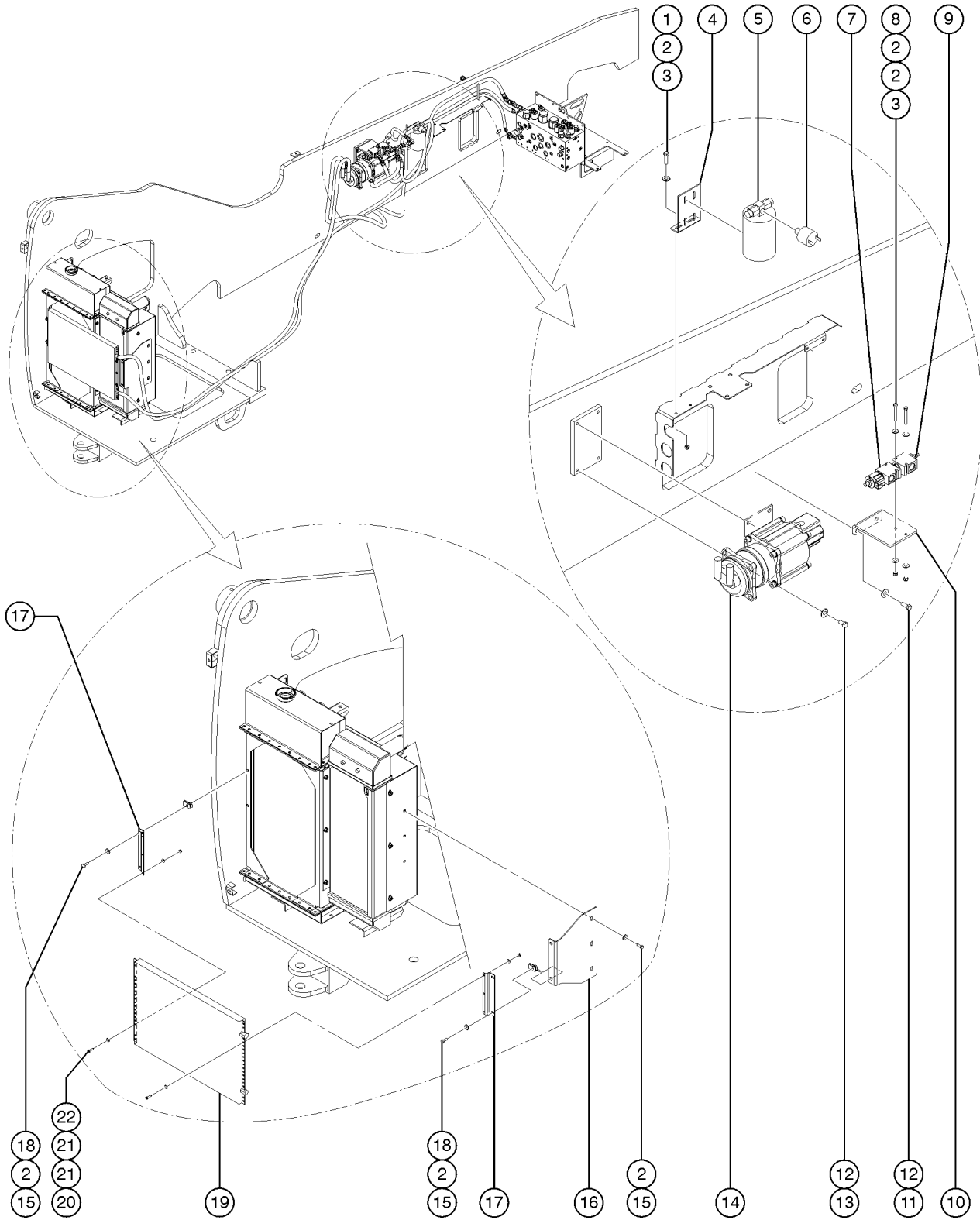
904.1 Air Conditioning Assembly, Perkins



## 904.1 Air Conditioning Assembly, Perkins

Item	Part No.	Description	Qty.	Item	Part No.	Description	Qty.
--	217874GT	HARNESS, CHASSIS, AC (from SN 16292)		23	6782GT	NUT,NYLOCK,5/16-18	
--	T107213GT	HARNESS, CHASSIS, AC (to SN 16291)					
--	T107218GT	LOOM,SPLIT,1" DIA X 10' LONG					
1	6888GT	SCREW,HHC,1/4-20 X 1					
2	6638GT	WASHER,FLAT,USS,1/4"Y					
3	6091GT	NUT,NYLOCK,1/4-20					
4	T107223GT	FORMING,REC-DRIER BRKT.....1					
5	T107209GT	RECEIVER-DRIER, AC.....1					
--	T107210GT	CLAMP, WORM DRIVE, 3IN.....2					
6	T107212GT	BINARY SWITCH, AC.....1					
7	T107384GT	VALVE ASSY,HYD AC CONTROL.....1					
--	104759GT	COIL,12VDC #8 DTSCH IP69 ECOIL					
--	115210GT	SOLENOID VALVE					
--	44174GT	NUT-COIL SHORT					
--	T107387GT	MANIFOLD, HYD					
8	4266GT	SCREW,HHC,1/4-20 X 2					
9	T107385GT	VALVE ASSY,AC FLOW CONTROL.....1					
--	T107386GT	MANIFOLD,HYD, FLOW CONTROL					
--	T107896GT	VALVE,FLOW CONTROL,ADJ PC					
10	T107220GT	FORMING,AC COMP VALVE MTG.....1					
11	6175GT	SCREW,HHC,3/8-16 X 1					
12	6097GT	WASHER,FLAT,USS,3/8",Y					
13	8255GT	SCREW,HHC,3/8-16 X .75					
14	T107208GT	AC COMPRESSOR,HYD.....1					
--	T107837GT	COMPRESSOR, AC, GTH10XX					
--	T107838GT	MOTOR,HYD,AC COMPRESSOR					
--	T107839GT	COUPLER, SHAFT, HYD AC COMP					
--	T107840GT	HOUSING, COUPLER/COMPRESSOR					
--	T107841GT	OIL. REFRIGERATION,10OZ BOTTLE					
15A	T107222GT	FORMING,AC COND MTG RB-LT.....2 (top, shown)					
15B	T107221GT	FORMING,AC COND MTG LB-RT (bottom)					
16	49816GT	SCREW,PHILLIPS,PHM,10-32 X .75					
17	6146GT	WASHER,FLAT,MS,#10,Y					
18	6178GT	NUT,NYLOCK,10-32					
19	T107211GT	AC CONDENSER, RAD MNTD.....1					
20A	T107221GT	FORMING,AC COND MTG LB-RT.....2 (top, shown)					
20B	T107222GT	FORMING,AC COND MTG RB-LT (bottom)					
21	13000GT	SCREW,HHC,5/16-18 X 1.25					
22	5397GT	WASHER,FLAT,USS,5/16",Y					

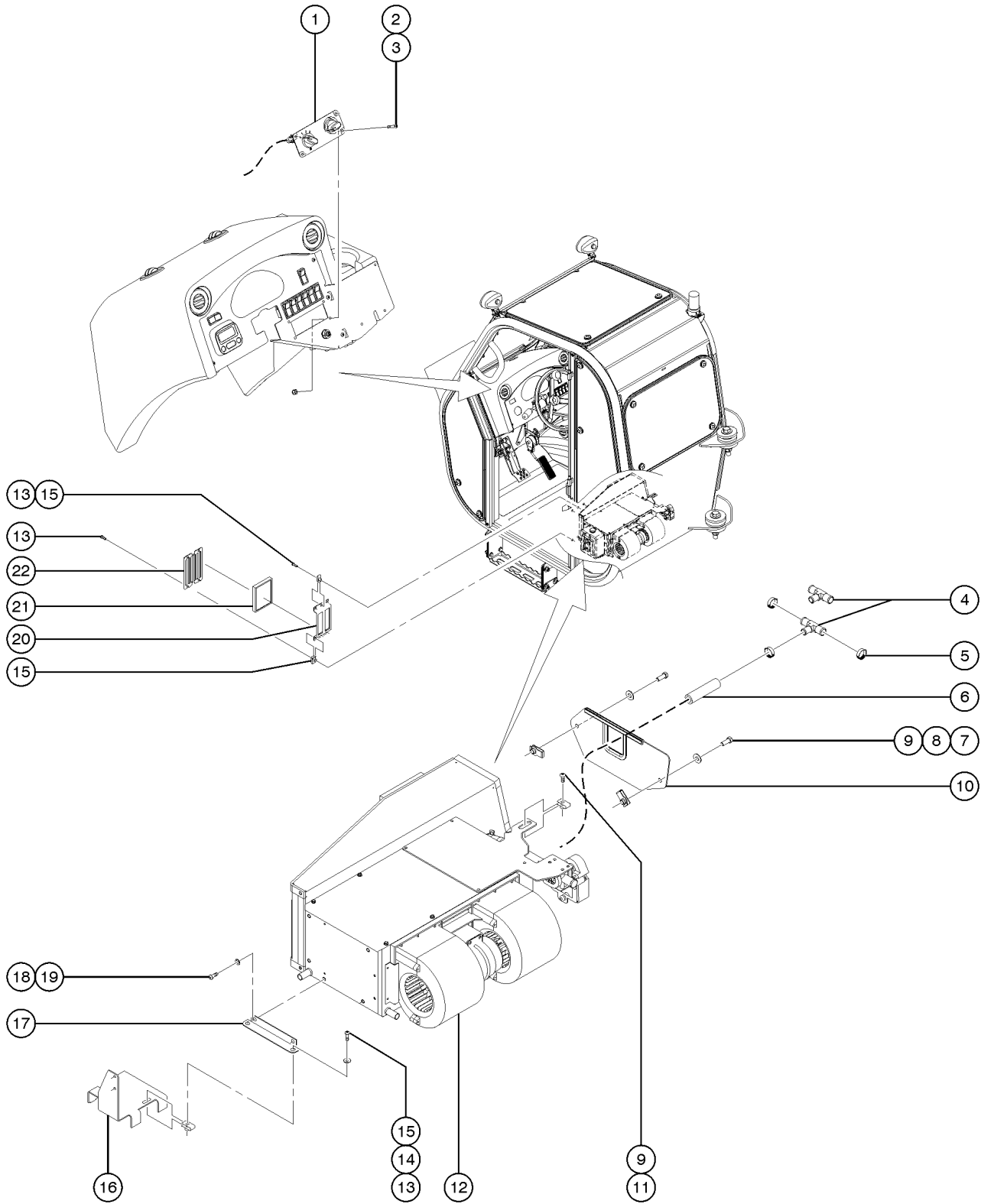
905.1 Air Conditioning Assembly, John Deere



## 905.1 Air Conditioning Assembly, John Deere

Item	Part No.	Description	Qty.
--	217874GT	HARNESS, CHASSIS, AC (from SN 16292)	
--	T107213GT	HARNESS, CHASSIS, AC (to SN 16291)	
--	T107218GT	LOOM,SPLIT,1" DIA X 10' LONG	
1	6888GT	SCREW,HHC,1/4-20 X 1	
2	6638GT	WASHER,FLAT,USS,1/4"Y	
3	6091GT	NUT,NYLOCK,1/4-20	
4	T107223GT	FORMING,REC-DRIER BRKT.....1	
5	T107209GT	RECEIVER-DRIER, AC.....1	
--	T107210GT	CLAMP, WORM DRIVE, 3IN.....2	
6	T107212GT	BINARY SWITCH, AC.....1	
7	T107384GT	VALVE ASSY,HYD AC CONTROL.....1	
--	104759GT	COIL,12VDC #8 DTSCH IP69 ECOIL	
--	115210GT	SOLENOID VALVE	
--	44174GT	NUT-COIL SHORT	
--	T107387GT	MANIFOLD, HYD	
8	4266GT	SCREW,HHC,1/4-20 X 2	
9	T107385GT	VALVE ASSY,AC FLOW CONTROL.....1	
--	T107386GT	MANIFOLD,HYD, FLOW CONTROL	
--	T107896GT	VALVE,FLOW CONTROL,ADJ PC	
10	T107220GT	FORMING,AC COMP VALVE MTG.....1	
11	6175GT	SCREW,HHC,3/8-16 X 1	
12	6097GT	WASHER,FLAT,USS,3/8",Y	
13	8255GT	SCREW,HHC,3/8-16 X .75	
14	T107208GT	AC COMPRESSOR,HYD.....1	
--	T107837GT	COMPRESSOR, AC, GTH10XX	
--	T107838GT	MOTOR,HYD,AC COMPRESSOR	
--	T107839GT	COUPLER, SHAFT, HYD AC COMP	
--	T107840GT	HOUSING, COUPLER/COMPRESSOR	
--	T107841GT	OIL. REFRIGERATION,10OZ BOTTLE	
15	6090GT	SCREW,HHC,1/4-20 X .75	
16	T108404GT	FORMING,JD RAD SUPPL COND BRKT.....1	
17	T107388GT	FORMING, AC COND MTG BRKT,JD....2	
18	56912GT	SPRING CLIP,1/4-20,.025-.15X.54,ZAG.....4	
19	T107211GT	AC CONDENSER, RAD MNTD.....1	
20	49816GT	SCREW,PHILLIPS,PHM,10-32 X .75	
21	6146GT	WASHER,FLAT,MS,#10,Y	
22	6178GT	NUT,NYLOCK,10-32	

906.1 Heater/AC Blower Installation

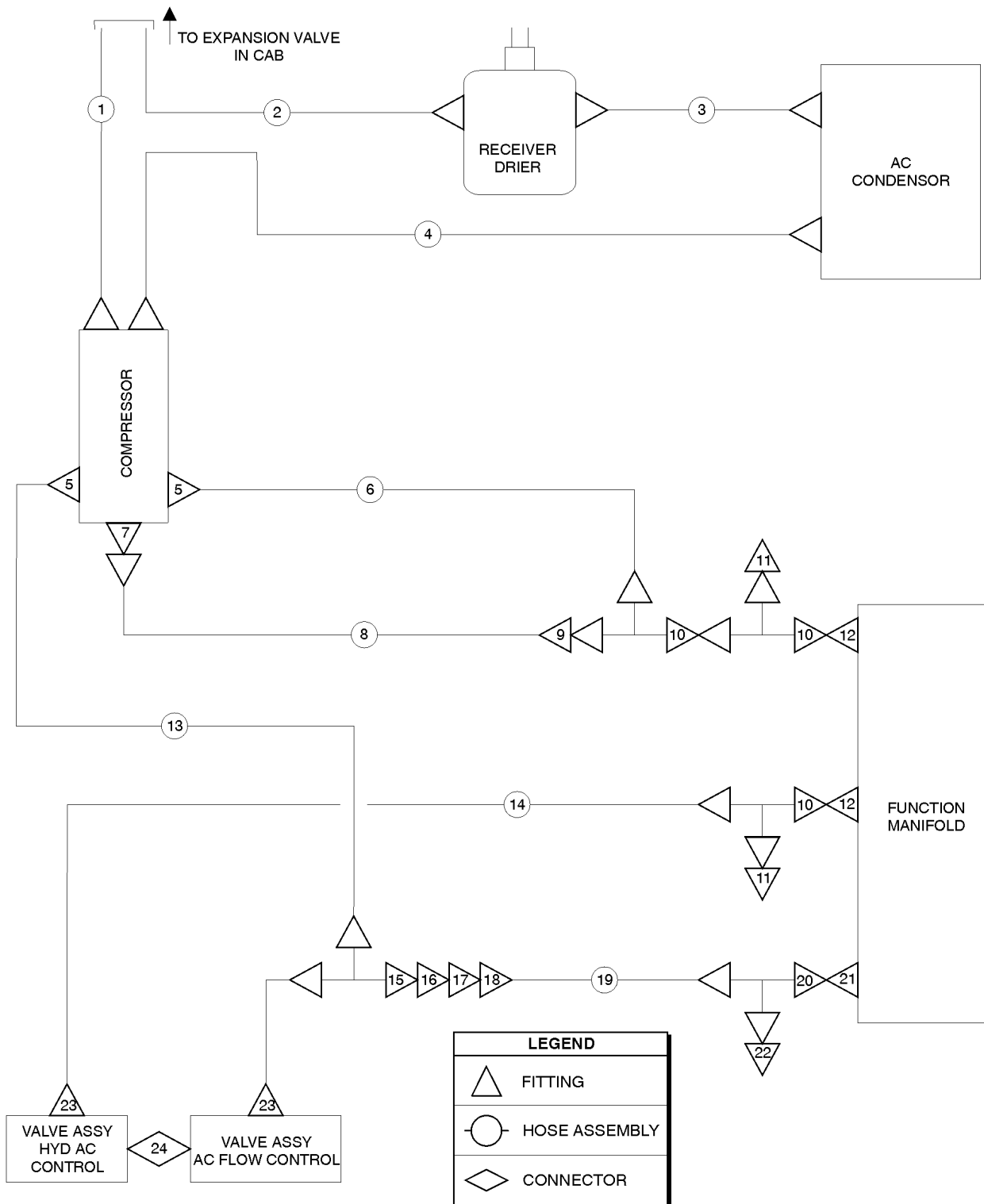




## 906.1 Heater/AC Blower Installation

Item	Part No.	Description	Qty.
1	T107206GT	CONTROL PANEL, HEAT-AC.....	1
--	36206GT	FUSE,25 AMP,ATC	
--	T107205GT	HARNESS,HEATER-AC CONTROL	
2	110359GT	SCREW,PHM, 10-24 X .50	
3	5365GT	NUT,NYLOCK,10-24	
4	7-297-02GT	CONNECTOR,HOSE,Y.....	2
5	46131GT	CLAMP,HOSE,.63" - 1.0" X .5".....	8
6	1702GT	HOSE-HEATER,5/8 ID-BLACK.....	128-inches
7	6175GT	SCREW,HHC,3/8-16 X 1	
8	6097GT	WASHER,FLAT,USS,3/8",Y	
9	108581GT	SPRING CLIP,3/8-16 LG ZINC.....	3
10	226392GT	COVER,CAB ACCESS,AC.....	1
--	46718GT	TRIMLOCK,BLACK,3/16	
11	28487GT	SCREW,BHHS,3/8-16 X 1	
12	T107204GT	HEATER-AC BLOWER ASSY,GTH10XX.....	1
13	14297GT	SCREW,BHHS,1/4-20 X .75	
14	6638GT	WASHER,FLAT,USS,1/4"Y	
15	56912GT	SPRING CLIP,1/4-20,.025-.15X.54,ZAG.....	8
16	123531GT	FORMING,HEATER MOUNT.....	1
17	115273GT	MOUNTING BRACKET (117649).....	1
18	115285GT	TAPPING SCREW M6 X 10 (117649)	
19	6356GT	WASHER,LOCK,.25	
20	123301GT	FORMING,FILTER BRACKET.....	1
21	130207GT	FILTER,CAB AIR INTAKE.....	1
22	130302GT	COVER,CAB AIR INTAKE.....	1

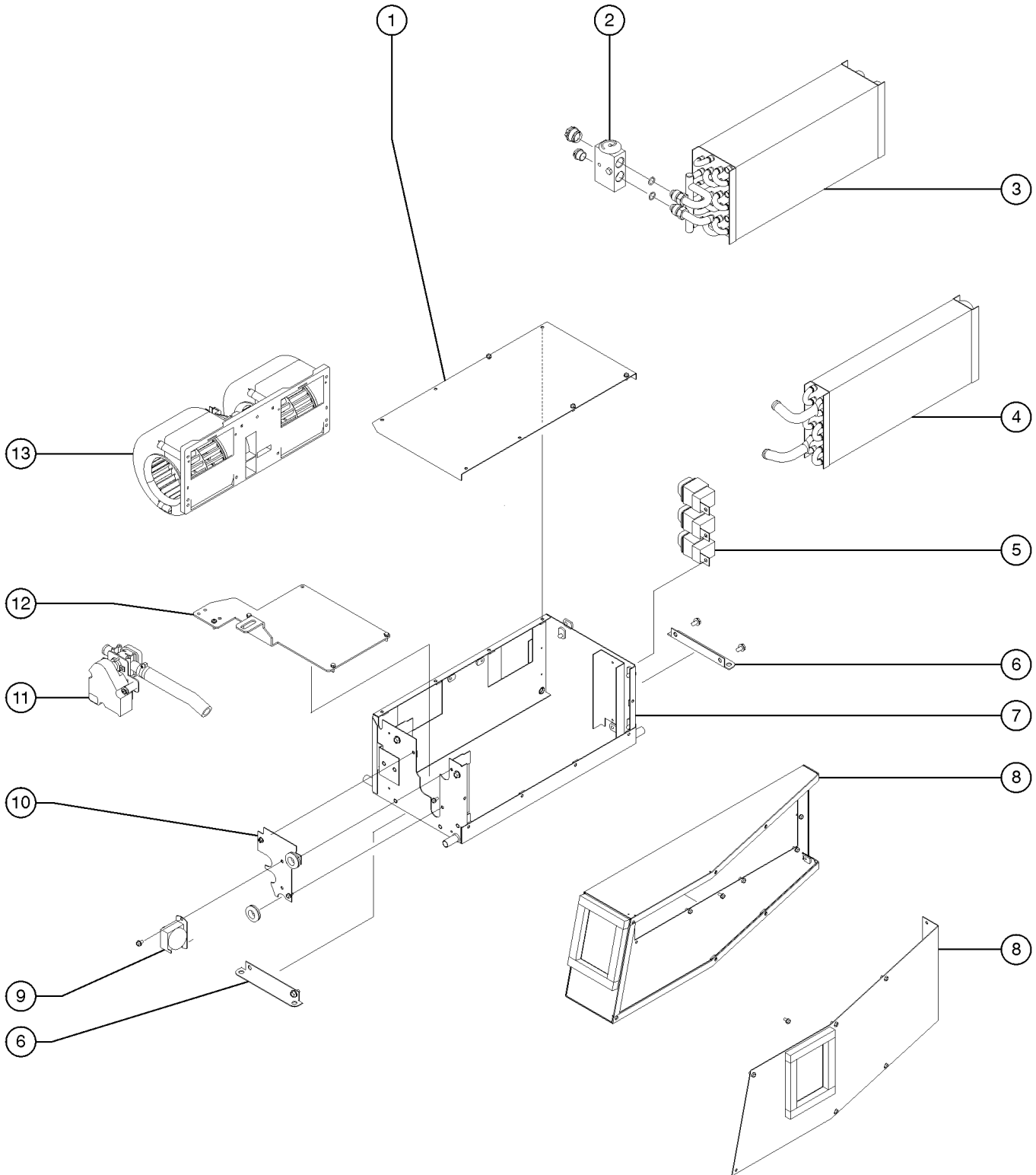
907.1 Air Conditioning Hoses and Fittings



## 907.1 Air Conditioning Hoses and Fittings

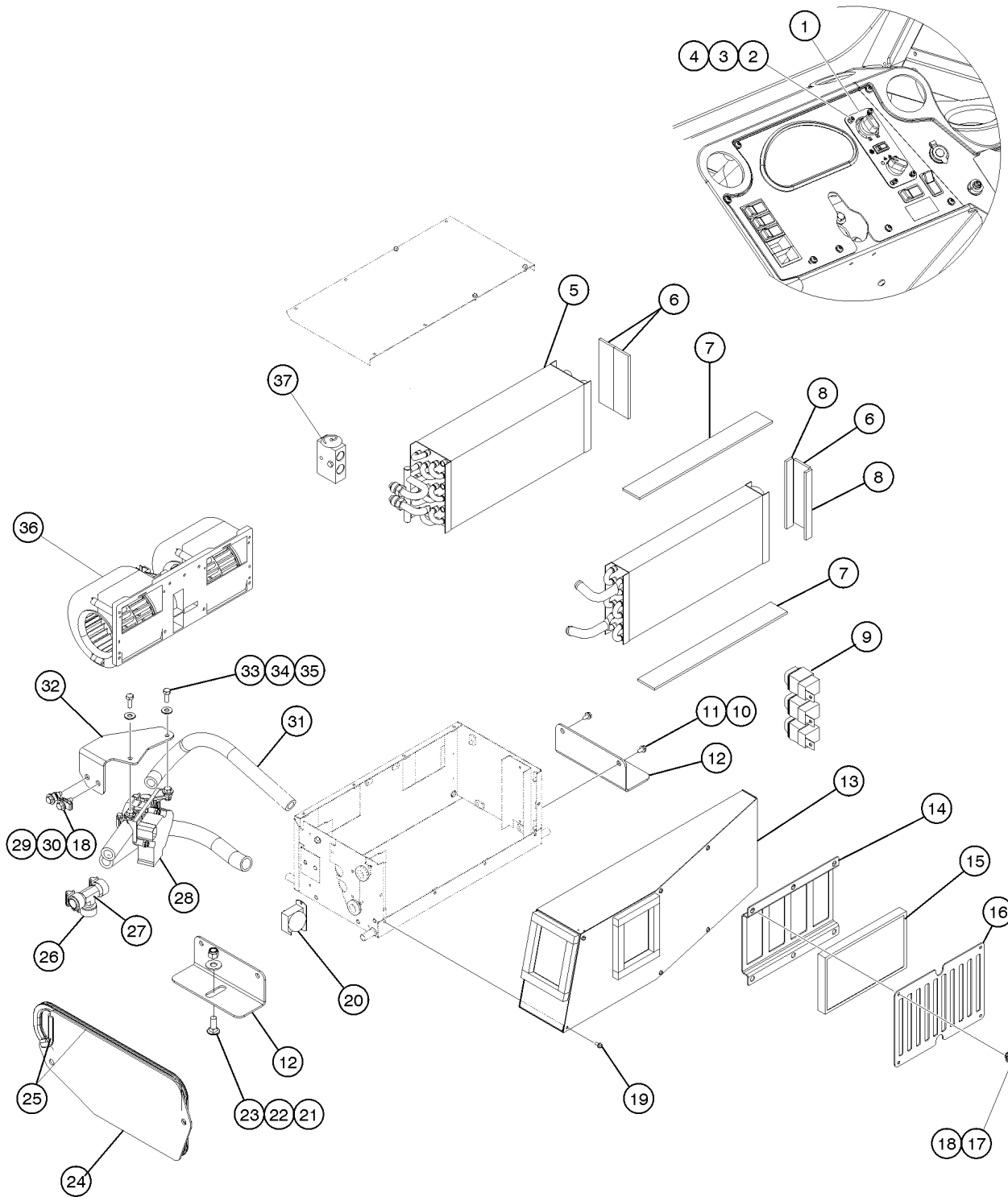
Item	Part No.	Description	Qty.
1	T107217GT	HOSE,REFRIGERANT,W/CHG SPL,#10.....	1
--	123314GT	ORING #10	
2	T107215GT	HOSE, REFRIGERANT, #6.....	1
--	130085GT	O-RING,#6	
3	T107214GT	HOSE, REFRIGERANT, #6.....	1
--	130085GT	O-RING,#6	
4	T107216GT	HOSE, REFRIGERANT,W/CHG SPL,#8.....	1
--	130084GT	O-RING,#8	
5	48933GT	CONN,520120-8***.....	2
6	49109-4229GT	HOSE ASSY,1/2,90 FEM,STR FEM** ..... (components: 48822, 48827, 48758 @ 40 inches)	1
7	48916GT	CONN, 520120-6.....	1
8	49180-4716GT	HOSE ASSY,3/8..... (components: 48816, 48819, 48753 @ 45 inches)	1
9	48879GT	ELBOW,SWIVEL 90D, 520221-8.....	1
10	48938GT	FITTING,TEE,RUN,SWIVEL520432-8.....	3
11	69775GT	CAP,520112-8.....	2
12	48946GT	CONN,520120-8-10.....	2
13	49129-1525GT	HOSE ASSY,3/8,90 FEM,STR FEM..... (components: 48821, 48812, 48753 @ 13 inches)	1
14	49129-5425GT	HOSE ASSY 3/8,90 FEM,STR FEM** ..... (components: 48821, 48812, 48753 @ 52 inches)	1
15	48875GT	TEE,RUN,SWIVEL,520432-6.....	1
16	T107382GT	FITTING,UNION,SW,-6,FEM-FEM.....	1
17	T107383GT	CHECK VALVE, HYD, -6 MALE-MALE, 5PSI.....	1
18	48892GT	ELBOW,SWIVEL 90D, 520221-6.....	1
19	49163-4600GT	HOSE ASSY,1/4"90 FEM,STR FEM..... (components: 48802, 48810, 48751 @ 43.6 inches)	1
20	48908GT	FITTING,TEE,RUN,SWIVEL520432-4.....	1
21	48905GT	CONN,520120-4***.....	1
22	67498GT	CAP,520112-4.....	1
23	48915GT	ELBOW,90D,520220-6.....	2
24	48893GT	UNION,STR.THREAD-6.....	1

908.1 HVAC Unit



Item	Part No.	Description	Qty.
--	235298GT	WIRE HARNESS,10XX,AC	
1	235291GT	COVER,10XX,AC.....1	1
2	235299GT	BLOCK VALVE,10XX,AC.....1	1
3	235288GT	EVAPORATOR COIL,10XX,AC.....1	1
4	235289GT	HEATER COIL,10XX,AC.....1	1
5	235297GT	RELAY 12V,10XX,AC.....3	3
6	235292GT	MOUNTING BRACKET,1,10XX,AC.....2	2
7	235293GT	CASING,10XX,AS.....1	1
8	235294GT	DUCT ASSY,10XX,AC.....1	1
9	231146GT	THERMOSTAT.....1	1
10	235290GT	COIL,COVER,10XX,AC.....1	1
11	115277GT	MOTORIZED VALVE ASSY (117649).....1	1
12	235295GT	MOUNTING BRACKET,2,10XX,AC.....1	1
13	235287GT	BLOWER ASSY,12V,10XX,AC.....1	1

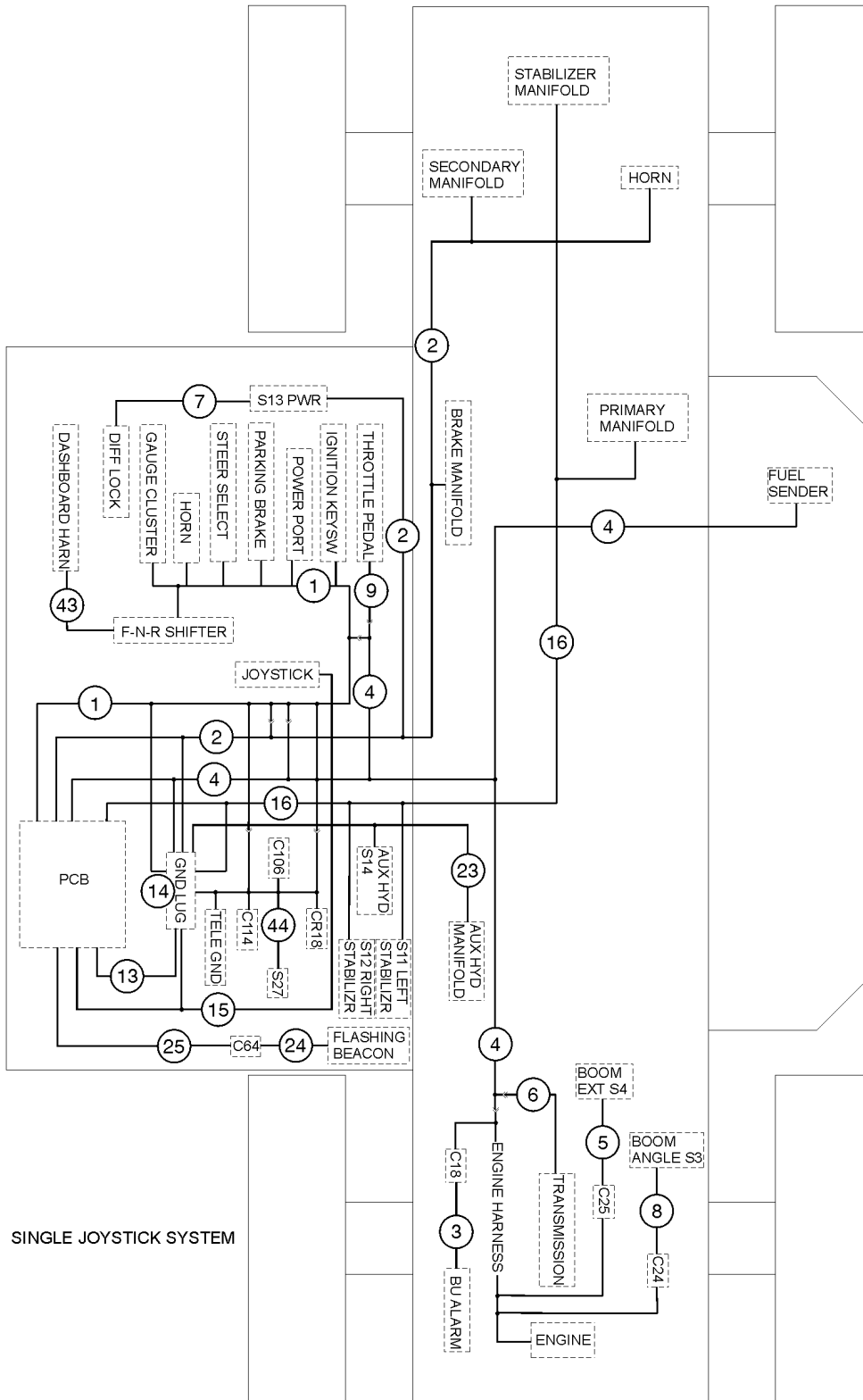
908.2 HVAC Unit (from serial number GTH1012-16292)



## 908.2 HVAC Unit (from serial number GTH1012-16292)

Item	Part No.	Description	Qty.
--	214585GT	HEATER, GTH	
--	214586GT	HEATER-AC,GTH	
1	214580GT	HEAT-AC CONTROL 56-0048	
--	34052GT	RELAY,SPDT,12V(AUTO) PLUG IN**	
--	36206GT	FUSE,25 AMP,ATC	
2	110359GT	SCREW,PHM, 10-24 X .50	
3	6146GT	WASHER,FLAT,MS,#10,Y	
4	5365GT	NUT,NYLOCK,10-24	
5	235288GT	EVAPORATOR COIL,10XX,AC	
6	115288GT	FOAM, 1/2 X 343MM (117649)	
7	115287GT	FOAM, 5/8 X 150MM (117649)	
8	115289GT	FOAM, 1/2 X 140MM (117649)	
9	235297GT	RELAY 12V,10XX,AC.....3	
10	115285GT	TAPPING SCREW M6 X 10 (117649)	
11	6356GT	WASHER,LOCK,.25	
12	214587GT	FORMING, HEATER MOUNT	
13	217035GT	ASSEMBLY, HEATER/AC DUCT	
14	214583GT	FORMING, FILTER BRACKET	
15	214584GT	FILTER, CAB AIR INTAKE	
16	214582GT	COVER, CAB AIR INTAKE	
17	14297GT	SCREW,BHHS,1/4-20 X .75	
18	56912GT	SPRING CLIP,1/4-20,.025-.15X.54,ZAG	
19	115284GT	TAPPING SCREW M4 X 8 (117649)	
20	231146GT	THERMOSTAT.....1	
21	64154GT	BOLT,CARRIAGE,3/8-16 X1.00,G5	
22	6097GT	WASHER,FLAT,USS,3/8",Y	
23	4828GT	NUT,NYLOCK,3/8-16	
24	214853GT	COVER,PANEL, CAB AC	
25	46718GT	TRIMLOCK,BLACK,3/16	
26	46131GT	CLAMP,HOSE,.63" - 1.0" X .5".....10	
27	7-297-02GT	CONNECTOR,HOSE,Y	
28	214588GT	VALVE, HEATER	
29	6888GT	SCREW,HHC,1/4-20 X 1	
30	6638GT	WASHER,FLAT,USS,1/4"Y	
31	1702GT	HOSE-HEATER,5/8 ID-BLACK.....138	
32	233510GT	FORMING, VALVE MOUNT	
33	6090GT	SCREW,HHC,1/4-20 X .75	
34	6638GT	WASHER,FLAT,USS,1/4"Y	
35	6091GT	NUT,NYLOCK,1/4-20	
36	115268GT	BLOWER (117649) WITH MOTOR	
37	235299GT	BLOCK VALVE,10XX,AC	

1001.1 Single Joystick System Harnesses

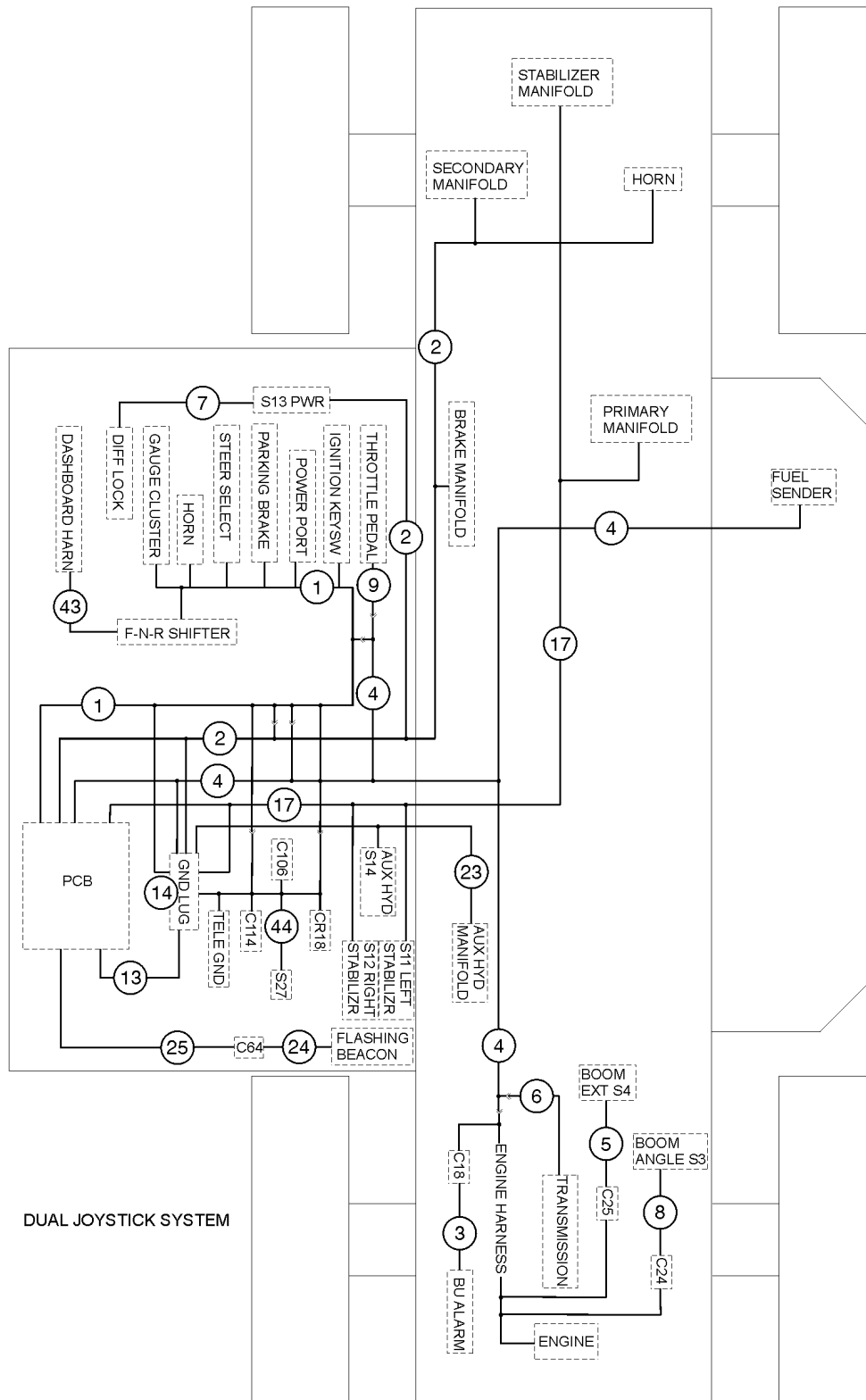




## 1001.1 Single Joystick System Harnesses

Item	Part No.	Description	Qty.
B	1264823GT	KIT, TRC RETROFIT, GTH <i>Telematics (includes 1264835)</i>	
--	1264835GT	INSTRN, TRC RETROFIT, GTH	
1	227495GT	HARNESS, DASHBOARD.....	1
2	214539GT	HARNESS, SECONDARY MANIFOLD....	1
3	219457GT	HARNESS, BACKUP ALARM.....	1
4	117662GT	HARNESS, TRANSMISSION <i>(to sn 16291)</i>	
--	214540GT	HARNESS, TRANSMISSION..... <i>(from sn 16292-19340)</i>	1
5	123588GT	HARNESS,BOOM EXT SW,1056.....	1
6	822924GT	HARNESS, TRANSMISSION CONTROL.....	1
7	214443GT	ASSEMBLY,FOOT SWITCH.....	1
8	117664GT	HARNESS,BOOM ANGLE SWITCH.....	1
9	217207GT	HARNESS, THROTTLE PEDAL.....	1
13	237933GT	HARNESS, PCB GROUND.....	1
14	161444GT	ASSEMBLY, GROUND BUSS.....	1
15	227494GT	CONTROLLER,HYD ERGO,2 SWITCHES.....	1
--	138007GT	RUBBER BOOT (117625)	
16	214538GT	HARNESS, PRIMARY MANIFOLD SJ....	1
23	215332GT	HARNESS,AUX HYDRAULICS.....	1
24	229683GT	HARNESS, BEACON LIGHT..... <i>(includes beacon and wire harness connector)</i>	1
--	105556GT	LENS,FLASHING BEACON <i>for 231931</i>	
--	105557GT	BULB,FLASHING BEACON <i>for 231931</i>	
--	231931GT	STROBE,BEACON, AC COMP 12-80V <i>for 229683</i>	
25	229682GT	HARNESS, POWER, BEACON LIGHT...1	
43	826879GT	HARNESS, TOP GEAR LOCKOUT.....	1
44	1255981GT	HARNESS, HERTZ TELEMATICS.....	1

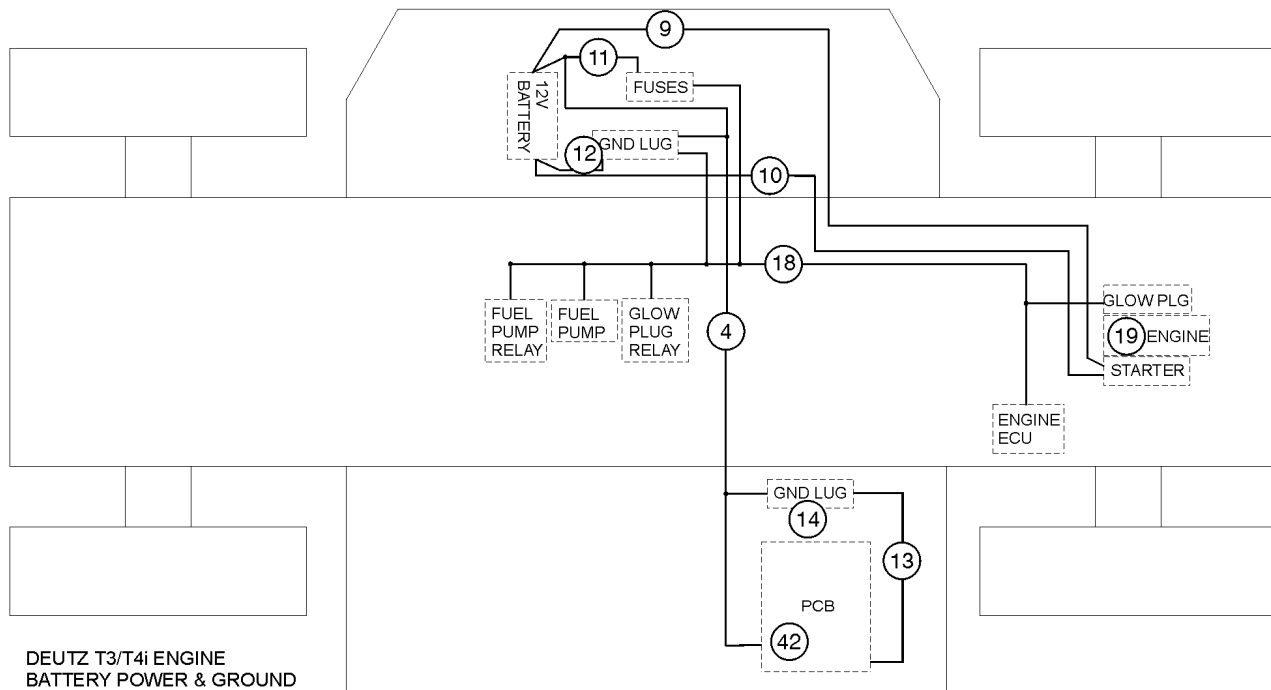
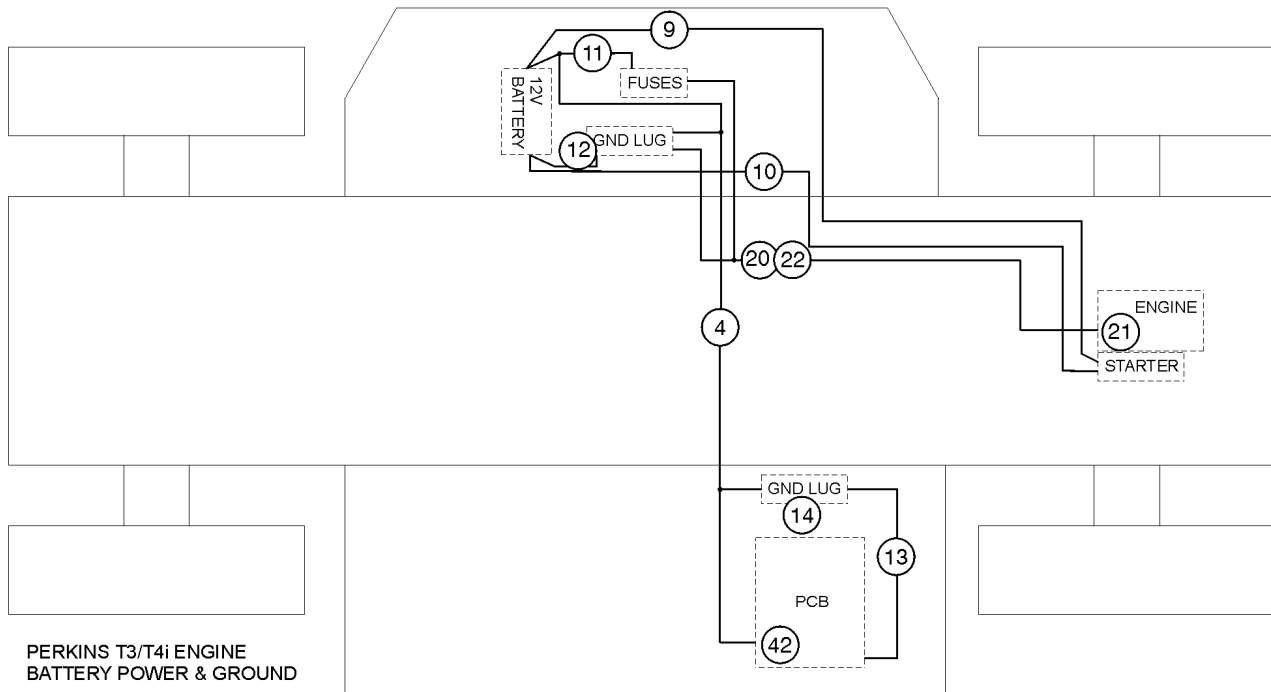
1002.1 Dual Joystick System Harnesses



## 1002.1 Dual Joystick System Harnesses

Item	Part No.	Description	Qty.
1	227495GT	HARNESS, DASHBOARD.....	1
2	214539GT	HARNESS, SECONDARY MANIFOLD....	1
3	219457GT	HARNESS, BACKUP ALARM.....	1
4	117662GT	HARNESS, TRANSMISSION (to sn 16291)	
--	214540GT	HARNESS, TRANSMISSION..... (from sn 16292 to 19340)	1
5	123588GT	HARNESS,BOOM EXT SW,1056.....	1
6	822924GT	HARNESS, TRANSMISSION CONTROL.....	1
7	214443GT	ASSEMBLY,FOOT SWITCH.....	1
8	117664GT	HARNESS,BOOM ANGLE SWITCH.....	1
9	217207GT	HARNESS, THROTTLE PEDAL.....	1
13	237933GT	HARNESS, PCB GROUND.....	1
14	161444GT	ASSEMBLY, GROUND BUSS.....	1
17	215446GT	HARNESS, PRIMARY MANIFOLD DJ....	1
23	215332GT	HARNESS,AUX HYDRAULICS.....	1
24	229683GT	HARNESS, BEACON LIGHT..... (includes beacon and wire harness connector)	1
--	105556GT	LENS,FLASHING BEACON for 231931	
--	105557GT	BULB,FLASHING BEACON for 231931	
--	231931GT	STROBE,BEACON, AC COMP 12-80V for 229683	
25	229682GT	HARNESS, POWER, BEACON LIGHT...1	
43	826879GT	HARNESS, TOP GEAR LOCKOUT.....	1
44	1255981GT	HARNESS, HERTZ TELEMATICS.....	1

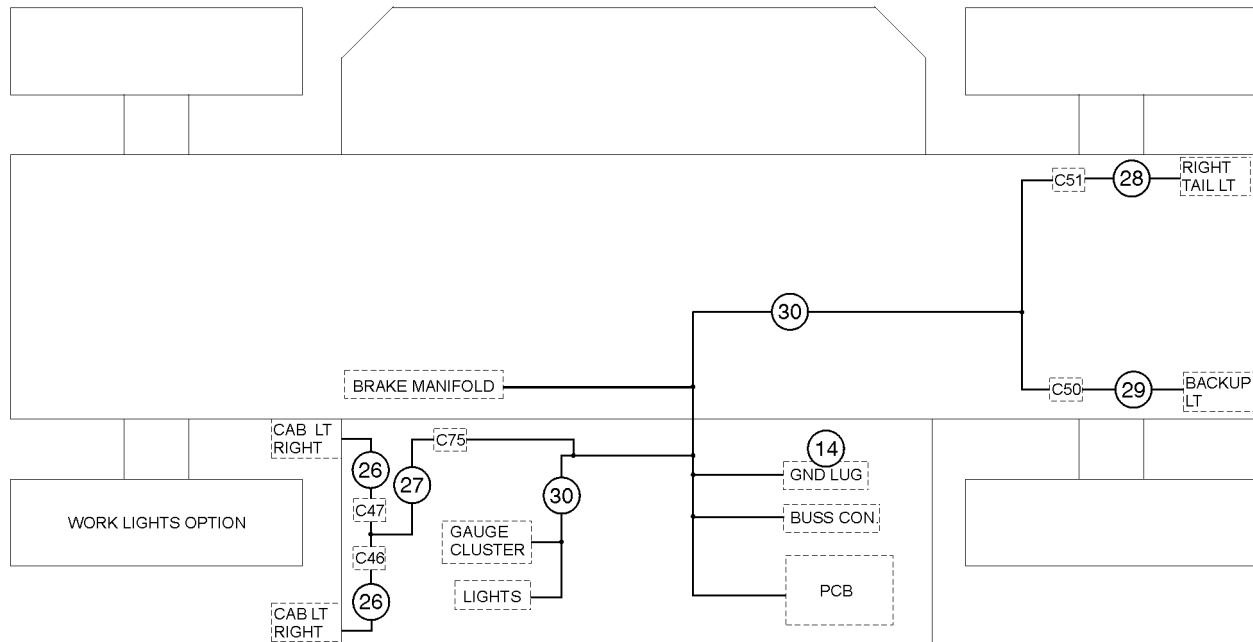
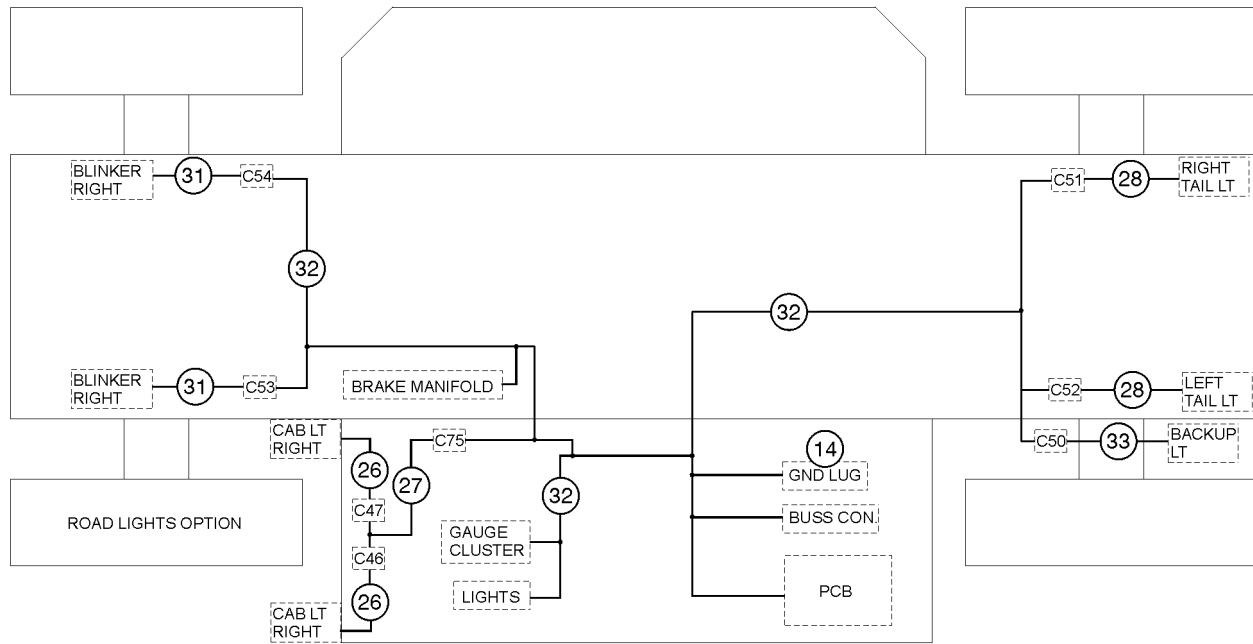
1003.1 Engine Harnesses



## 1003.1 Engine Harnesses

Item	Part No.	Description	Qty.
4	227493GT	HARNESS, TRANSMISSION.....1 <i>Serial numbers from 16292 to 19340</i>	
9	229022GT	BATT CABLE ASSY,RED,3/0.....1 <i>Serial numbers from 16292 to 19340</i>	
10	130719GT	BATTERY CABLE ASSY,BLACK,000.....1 <i>Serial numbers from 16292 to 19340</i>	
11	215522GT	HARNESS, POWER LEAD.....1 <i>Serial numbers from 16292 to 19340</i>	
12	7-319-17GT	GROUND STRAP,12 IN.....1 <i>Serial numbers from 16292 to 19340</i>	
13	237933GT	HARNESS, PCB GROUND.....1 <i>Serial numbers from 16292 to 19340</i>	
14	161444GT	ASSEMBLY, GROUND BUSS.....1 <i>Serial numbers from 16292 to 19340</i>	
18	219333GT	HARNESS,ENGINE ECM,TCD3.6,10K...1 <i>Serial numbers from 16292 to 19340</i> <i>(models with Dana Transmission)</i>	
--	825422GT	HARNESS,ENGINE ECM,TCD3.610K <i>Serial numbers from 19341 (models with</i> <i>ZF Transmission)</i>	
19	219334GT	HARNESS,ENGINE BASE,TCD3.6.....1 <i>Serial numbers from 19341</i>	
20	220016GT	ENGINE HARNESS,1204E-E44TA.....1 <i>Serial numbers from 16292 to 19340</i>	
21	220015GT	WIRING HARNESS,1204E-E44TA.....1 <i>Serial numbers from 16292 to 19340</i>	
22	T114415GT	HARNESS,ENGINE WIRING,PERKINS <i>Serial numbers from 14001 to 16291</i>	
--	217940GT	HARNESS,ENGINE WIRING,PERKINS.....1 <i>Serial numbers from 16292 to 19340</i> <i>(Perkins supplied harness)</i>	
42	161524GT	ASSEMBLY, POWER BUSS.....1 <i>Serial numbers from 16292 to 19340</i>	

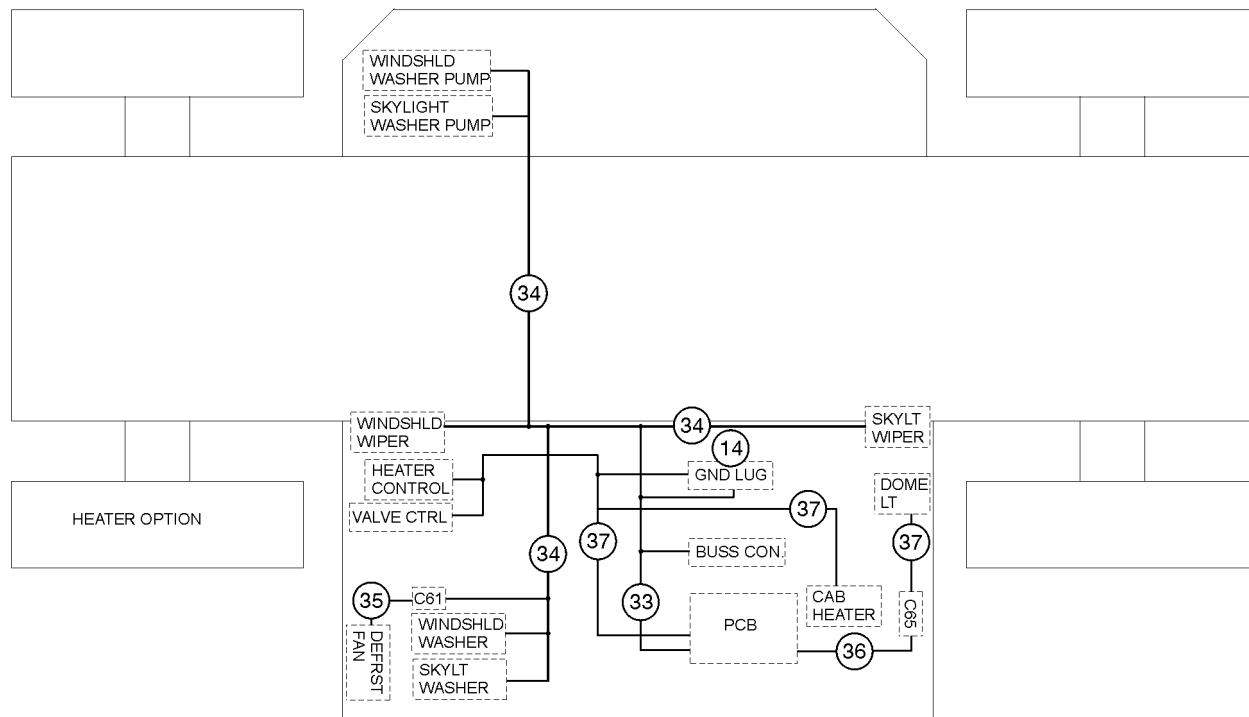
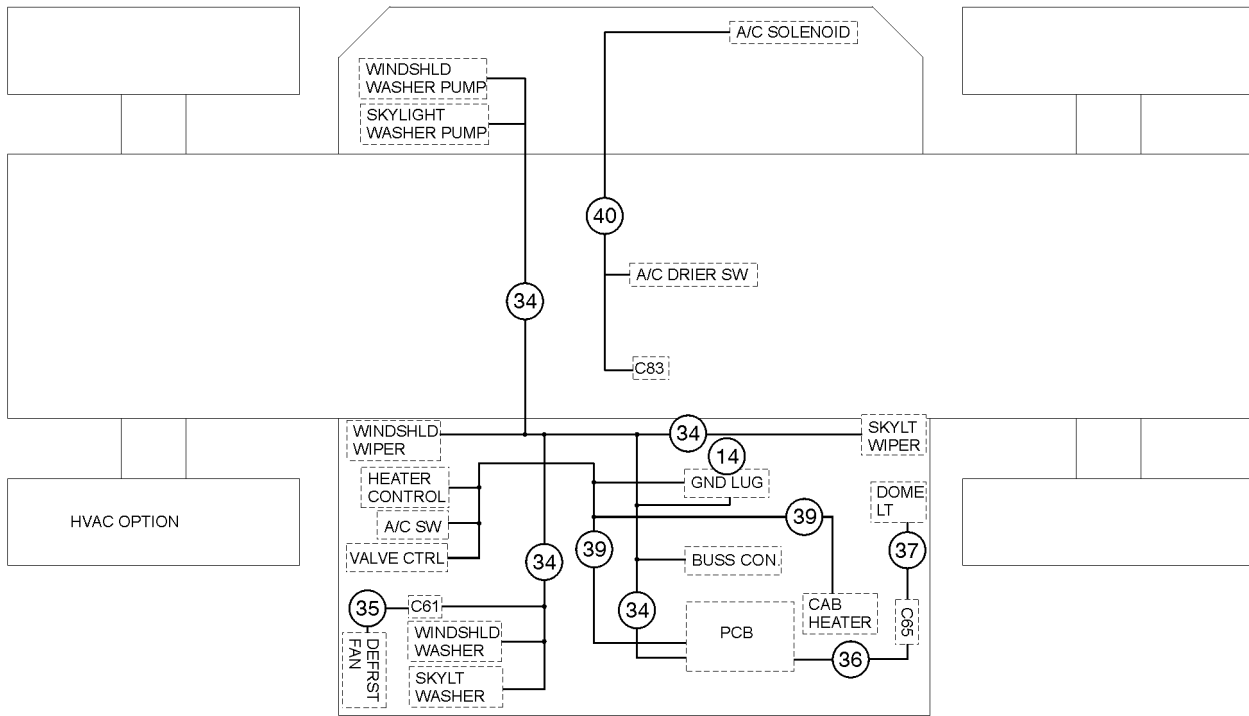
1004.1 Work and Road Light Harnesses



## 1004.1 Work and Road Light Harnesses

Item	Part No.	Description	Qty.
14	161444GT	ASSEMBLY, GROUND BUSS.....	1
26	233989GT	HARNESS, CAB LIGHT.....	2
27	214334GT	HARNESS, CAB LIGHT POWER.....	1
28	229677GT	HARNESS, TAILLIGHT LED	
29	229678GT	HARNESS, BACKUP LIGHT LED.....	1
30	229680GT	HARNESS, WORK LIGHTS.....	1
31	123929GT	ROAD LIGHT, BLINKER.....	2
32	215329GT	HARNESS, ROAD LIGHTS.....	1
33	123925GT	HARNESS, ROAD LIGHT,LED.....	1

1005.1 Cab Heater and HVAC Harnesses





## 1005.1 Cab Heater and HVAC Harnesses

Item	Part No.	Description	Qty.
14	161444GT	ASSEMBLY, GROUND BUSS.....	1
34	233812GT	HARNESS, ENCLOSED CAB.....	1
35	234859GT	HARNESS, CAB FAN.....	1
36	233940GT	HARNESS, POWER, DOME LIGHT.....	1
37	123817GT	DOME LIGHT WITH CONNECTOR.....	1
38	234861GT	HARNESS, CAB HEATER.....	1
39	238126GT	HARNESS, CAB A/C.....	1
40	217874GT	HARNESS, CHASSIS, AC.....	1

## Part Number Index

The Part Number Index is a numeric index of all part numbers included in this manual. The index shows what page(s) the part is used on.

Part Number	Page	Part Number	Page	Part Number	Page	Part Number	Page
07.4501.0291GT	199, 205–206	114365GT	13, 17	115304GT	175	117404GT	249
09.0803.0119GT	131	114366GT	13, 15, 17, 23	115305GT	175	117414GT	71
1-1073GT	217	114367GT	13, 17	115306GT	175	117417GT	127
1-1113GT	211, 213, 215, 217, 219	114374GT	13, 17	115307GT	175	117429GT	69
1-1532GT	121, 133, 145, 147	114379GT	13, 15, 17, 23, 25, 27, 29	115308GT	175	117430GT	69
102394GT	263	114444GT	21, 33	115309GT	175	117434GT	75
102395GT	259, 263	114445GT	21, 33	115310GT	175	117468GT	55
10256GT	55, 191	114446GT	21, 33	115311GT	175	117470GT	37, 269, 271
10258GT	191	114449GT	21, 33	115312GT	175	117471GT	39
102632GT	181–182	114452GT	21, 33	115313GT	179	117489GT	233, 235
102642GT	181–182	114453GT	21, 33	115314GT	175	117491GT	69, 71, 185
102644GT	181–182	114461GT	17, 23, 29	115318GT	175	117492GT	71
102646GT	181–182	114470GT	17, 29	115319GT	175	117493GT	69, 71, 121, 211, 213, 215, 217, 219, 221, 223, 225, 235
104030GT	123, 149	114707GT	17	115320GT	175	117502GT	229
104328GT	185	115201GT	253–254, 257	115322GT	175	117505GT	39
104741GT	237	115202GT	253–254, 257	115324GT	175	117506GT	55
104759GT	253–254, 257, 259, 277, 279	115203GT	253–254, 257	115325GT	177	117519GT	75
104760GT	259, 261	115204GT	253–254, 257	115326GT	177	117530GT	121, 145, 147
104764GT	259, 263	115205GT	253–254, 257	115327GT	177	117539GT	75
105092GT	121, 125, 145, 233, 237	115206GT	253–254, 257	115328GT	177	117583GT	75
105107GT	133	115207GT	253–254, 257	115329GT	177	117588GT	187, 201, 209
105214GT	199, 205–206	115208GT	253–254, 257	115331GT	177, 179	117606GT	75
105556GT	121, 133, 145, 147, 289, 291	115209GT	253–254, 257	115332GT	177	117607GT	75
105557GT	121, 133, 145, 147, 289, 291	115210GT	253–254, 257, 277, 279	115333GT	177, 179	117608GT	75
105573GT	153	115211GT	259	115334GT	177	117609GT	75
105695GT	259	115212GT	259	115335GT	177	117614GT	125
105759GT	153	115213GT	259	115336GT	177	117623GT	123, 139
10597GT	145	115214GT	259	115337GT	177	117624GT	123, 139
106134GT	147	115215GT	259	115338GT	177	117625GT	123, 141, 143, 153
107740GT	259	115216GT	259	115339GT	179	117626GT	215, 221
108581GT	73, 121, 123, 133, 135, 281	115217GT	259	115340GT	179	117629GT	121
108612GT	179	115218GT	263	117051GT	55, 77, 79	117635GT	39, 55
108673GT	271	115220GT	135	117062GT	75	117639GT	55
108855GT	55, 77, 79, 231, 233, 235	115220GT	135	117069GT	39	117649GT	135, 137
108856GT	233	115221GT	135	117070GT	37	117650GT	123
108857GT	211, 213, 217, 223, 225	115222GT	135	117080GT	37	117654GT	125, 151
108859GT	55, 77, 79	115223GT	135	117085GT	37	117655GT	265
108860GT	55, 77, 79	115224GT	135	117086GT	39	117659GT	273, 275
108862GT	77, 79, 235	115225GT	257	117090GT	37	117662GT	289, 291
108863GT	77, 79	115226GT	55	117101GT	37	117664GT	289, 291
108864GT	77, 79, 211, 213, 215, 217, 221, 223, 225, 229, 235	115227GT	55	117104GT	37	117666GT	81
108865GT	55, 77, 79	115268GT	137, 287	117125GT	55, 75	117676GT	229, 231, 233, 235
108868GT	229, 231, 233, 235	115269GT	137	117128GT	37	117692GT	125
108869GT	229, 231, 233, 235	115270GT	137	117135GT	235	117693GT	233
108871GT	231, 233	115271GT	137	117167GT	81, 259	117744GT	235
108910GT	215, 217	115272GT	137	117180GT	249	117777GT	231
108912GT	231, 233	115273GT	135, 281	117181GT	249	117779GT	69, 199, 205–206
108948GT	21	115274GT	137	117182GT	251	117780GT	229
108951GT	237	115275GT	137	117183GT	251	117809GT	247
108995GT	121, 129	115276GT	137	117189GT	69	117819GT	243
110359GT	123, 135, 149, 173, 281, 287	115277GT	137, 285	117190GT	249, 251	117843GT	249
112732GT	217	115278GT	137	117191GT	249, 251	117844GT	249
11335GT	151	115279GT	137	117223GT	123, 127	117845GT	249
114083GT	23	115280GT	137	117224GT	123	117847GT	249
114090GT	21, 23, 33, 35	115281GT	137	117225GT	127	117849GT	249
114093GT	21	115282GT	137	117227GT	127	117877GT	179, 199
114115GT	21, 23, 35, 149	115284GT	137, 287	117230GT	115	117880GT	125
114119GT	21	115285GT	135, 137, 173, 281, 287	117235GT	235, 249	117889GT	55
114352GT	21	115286GT	137	117288GT	121	117890GT	55
114356GT	21	115287GT	137, 287	117302GT	71	117959GT	249
		115288GT	137, 287	117304GT	77, 79, 235	117972GT	125
		115289GT	137, 287	117310GT	235	11890GT	131, 163
		115290GT	137	117312GT	235	119058GT	141
		115291GT	179	117313GT	235	119065GT	133
		115292GT	179	117315GT	235	119219GT	197, 203
		115293GT	179	117316GT	39, 55, 121, 133, 145, 147	11968GT	153, 271
		115294GT	179	117344GT	37	121420GT	191
		115295GT	179	117369GT	39, 55	122202GT	199, 205–206
		115296GT	179	117379GT	71	123017GT	179
		115297GT	179	117390GT	261	123023GT	237
		115298GT	179	117391GT	263		
		115299GT	179	117402GT	123		
		115300GT	175, 179	117403GT	249		

Part Number	Page	Part Number	Page	Part Number	Page	Part Number	Page
123069GT	229, 231	123461GT	69	123925GT	269, 273, 295	1253246GT	77, 79
123081GT	181–182	123499GT	215	123927GT	273	1253247GT	37
123084GT	181–182	123500GT	213, 215, 217, 219, 221, 223	123928GT	269, 273	1253248GT	75
123085GT	181–182			123929GT	269, 273, 295	1253249GT	55
123086GT	185	123501GT	213, 215, 217, 219, 221, 223	123930GT	75	1253474GT	147
123090GT	187			124576GT	131, 171	1253475GT	147
123108GT	121, 145, 147	123515GT	69, 85, 175	124728GT	271	1253815GT	219
123121GT	229, 231, 233	123516GT	69, 85	1251454GT	195	1253936GT	81
123133GT	125	123531GT	137, 281	1251455GT	193	1253947GT	147
123134GT	125	123545GT	235	1251756GT	205–206	1253956GT	147
123135GT	125	123548GT	233, 235	1251993GT	201, 209	1253959GT	147
123136GT	125, 149, 151	123561GT	135, 149, 153	1252535GT	51, 65	1253978GT	155
123137GT	121, 145	123563GT	125	1252536GT	41, 47, 49, 57	1253981GT	147
123138GT	127, 153	123565GT	243	1252537GT	49	1254034GT	147
123139GT	121, 133, 145, 147	123567GT	123, 127, 149, 153	1252538GT	43, 59	1254050GT	221
				1252546GT	43, 59	1254055GT	147
123142GT	75	123568GT	123, 149	1252553GT	45	1254146GT	147
123143GT	55	123569GT	123, 149	1252554GT	45, 53, 61, 67	1254148GT	147
123144GT	55, 185	123572GT	121, 145, 149	1252570GT	43, 59	1254512GT	75
123147GT	71	123573GT	135, 147	1252573GT	59	1254527GT	199
123148GT	71	123574GT	121, 145	1252575GT	49	1254529GT	205–206
123149GT	71	123577GT	69	1252576GT	49	1254530GT	197, 203
123150GT	71	123580GT	217	1252577GT	41, 57	1254543GT	199, 205–206
123151GT	71	123581GT	217	1252583GT	49, 63	1254548GT	211, 213, 217, 219
123152GT	71	123588GT	235, 289, 291	1252584GT	49		
123153GT	243	123599GT	175	1252585GT	49	1254549GT	211, 213, 219
123161GT	179, 187	123644GT	71	1252586GT	41, 49	1254550GT	211, 213, 215, 219
123163GT	231, 233	123657GT	235	1252587GT	49		
123168GT	233	123658GT	123	1252588GT	41	1254551GT	211, 213
123169GT	233, 235	123663GT	55, 77, 79	1252589GT	41	1254552GT	211, 213
123175GT	235	123664GT	69	1252599GT	59	1254553GT	211, 213
123176GT	71, 235	123677GT	73, 125	1252600GT	43, 59	1254578GT	75
123179GT	251	123678GT	235	1252601GT	43, 59	1254579GT	75
123180GT	251	123683GT	187	1252604GT	59	1254580GT	75
123181GT	251	123684GT	259	1252605GT	43	1254581GT	75
123184GT	233	123685GT	259	1252606GT	59	1254891GT	243
123185GT	233	123688GT	125	1252607GT	43	1255452GT	55, 77, 79, 219, 235
123186GT	233	123705GT	123, 149	1252609GT	45, 61		
123187GT	231	123706GT	123, 149	1252610GT	61	1255536GT	153
123188GT	37, 39, 55, 211, 213, 215, 217, 221, 223, 225	123707GT	29	1252611GT	49	1255546GT	237
		123708GT	17, 29	1252612GT	47, 49	1255578GT	79
123189GT	39, 55, 121, 133, 145, 147	123709GT	13, 25	1252613GT	47, 49	1255653GT	201, 209
		123711GT	269	1252614GT	47, 49, 63	1255757GT	81
123200GT	123, 149	123712GT	269	1252615GT	49	1255758GT	81
123201GT	149	123714GT	269	1252616GT	49	1255807GT	199, 205–206
123206GT	77	123715GT	269	1252617GT	47, 49, 63	1255823GT	23
123222GT	135	123762GT	77	1252618GT	43, 59	1255981GT	289, 291
123223GT	135	123773GT	121, 145	1252621GT	43, 59	1256223GT	269, 273
123231GT	235	123783GT	235	1252624GT	49	1256267GT	55, 77, 79
123232GT	75	123794GT	245	1252625GT	49	1256912GT	153
123245GT	135	123798GT	275	1252626GT	47, 49, 63	1256913GT	153
123259GT	55	123799GT	273, 275	1252627GT	41, 57	1256914GT	141, 153
123265GT	121, 145, 147	123802GT	121, 133, 145, 273, 275	1252628GT	49, 63	1257363GT	197, 203
123268GT	125			1252631GT	43, 59	1258060GT	141
123269GT	125	123803GT	269, 275	1252636GT	41, 57	1258063GT	141
123271GT	125	123804GT	269, 275	1252639GT	45, 61	1258120GT	77, 79
123272GT	125	123806GT	179, 187, 201, 209	1252647GT	45	1258121GT	235
123273GT	123			1252648GT	45, 61	1258122GT	211, 213, 215, 217, 221, 223, 225
123286GT	55	123813GT	133	1252655GT	53, 67		
123287GT	75	123814GT	121, 133	1252656GT	43, 59	1258123GT	77, 79
123288GT	135	123816GT	273, 275	1252657GT	53, 67	1258124GT	37
123290GT	135	123817GT	133, 297	1252658GT	53, 67	1258125GT	55, 75
123291GT	123	123819GT	133	1252659GT	61	1258407GT	35
123301GT	135, 281	123821GT	121	1252662GT	45, 61	1258451GT	141
123310GT	121	123839GT	123	1252664GT	45, 61	1258453GT	141
123314GT	283	123868GT	55	1252665GT	45, 61	1258454GT	141
123357GT	185	123893GT	37	1252666GT	47, 49	1259567GT	181–182
123367GT	123	123894GT	75	1252669GT	41	1259660GT	199, 205–206
123376GT	77	123896GT	233, 235	1252670GT	45, 61	1260062GT	147
123378GT	213, 215, 217, 219, 221, 223	123897GT	211, 213, 215, 217, 221, 223, 225	1252674GT	47, 49, 53, 63, 67	1261239GT	199, 205–206
				1253091GT	23, 35	1262285GT	259
123379GT	231, 233	123914GT	71	1253243GT	77, 79	1262286GT	259
123395GT	55	123915GT	71	1253244GT	233, 235	1262289GT	259
123432GT	71	123920GT	75	1253245GT	211, 213, 215, 217, 221, 223, 225	1262890GT	205–206
123445GT	217	123924GT	273			1263154GT	201, 209

## Part Number Index (continued)

Part Number	Page	Part Number	Page	Part Number	Page	Part Number	Page
1263499GT	201, 209	130124GT	129, 131, 157,	130392GT	59	130726GT	179
1263884GT	245		159, 163, 165,	130393GT	59	130727GT	179
1263970GT	69		167, 169	130395GT	59	130735GT	175
1263974GT	69	130125GT	133	130396GT	43	130737GT	141, 143
1263975GT	69	130126GT	131, 163	130397GT	45	130738GT	141, 143
1264127GT	181–182	130127GT	131, 163	130398GT	61	130739GT	143
1264823GT	289	130128GT	131, 167, 171	130399GT	45	130740GT	139, 141, 143
1264835GT	289	130132GT	131, 165	130400GT	45, 61	130741GT	139, 141, 143
126663GT	267	130133GT	131	130402GT	45, 61	130742GT	139, 141, 143
1266688GT	197, 203	130134GT	129, 131, 165,	130403GT	45, 61	130743GT	139, 141
1268928GT	235		169	130404GT	45	130744GT	139, 141
1269532GT	129	130135GT	129	130405GT	45, 61	130745GT	139
1270245GT	129	130138GT	131	130407GT	45	130746GT	139
1270487GT	201, 209	130139GT	131	130408GT	47	130770GT	21, 23
1270611GT	261	130141GT	131	130409GT	51, 65	130819GT	233
1270612GT	259	130147GT	131, 167	130411GT	53, 67	130820GT	233
1270615GT	253–254	130148GT	131	130414GT	233	130821GT	233
1270618GT	263	130159GT	129	130415GT	77, 79	130826GT	235
1270622GT	257	130160GT	129, 157, 159	130416GT	211, 213, 215,	130827GT	233
1270623GT	259	130161GT	131, 163		217, 221, 223,	130828GT	233
1270626GT	253–254	130162GT	131, 163		225	130829GT	233
1270627GT	257	130163GT	129, 131, 157,	130421GT	89	130855GT	213, 215, 217,
1271459GT	149		159, 161, 163,	130422GT	69, 89		219, 221, 223
1272577GT	201, 209		165, 167, 169,	130423GT	89	130872GT	229
1273074GT	197, 203		171	130424GT	89	130886GT	193, 199
1274463GT	51, 65	130164GT	131, 155	130425GT	87	130902GT	69
1274944GT	153	130165GT	129, 131	130426GT	69, 91	130909GT	123, 153
1274946GT	153	130166GT	129	130427GT	69, 91	130926GT	231
1275970GT	201, 209	130173GT	175	130428GT	69, 91	130930GT	231
1275971GT	201, 209	130179GT	201, 209	130429GT	93, 105	130931GT	235
1276075GT	69	130180GT	187	130430GT	95	130938GT	235
1276076GT	69	130183GT	187	130431GT	95	130942GT	125
1276536GT	69	130184GT	187	130432GT	95	130944GT	211, 213, 215,
1276537GT	69	130189GT	129, 131, 157,	130433GT	101		217, 219, 221,
1279184GT	175		159, 163, 165,	130434GT	101, 107		223, 225
1279208GT	147		167, 169	130435GT	99, 101, 105, 107	130965GT	125
1279209GT	147	130194GT	131	130436GT	101	130979GT	213
1279631GT	197, 203	130195GT	131	130437GT	99	130980GT	213
1280380GT	215	130196GT	135	130438GT	105	130981GT	213
1281129GT	179, 187, 201,	130197GT	135	130440GT	119	130982GT	211
	209	130198GT	129, 157, 159	130441GT	111	130983GT	211
1281452GT	177	130203GT	129	130457GT	109	130984GT	211
1281482GT	177	130207GT	135, 137, 281	130458GT	109	130987GT	217
1281658GT	55	130208GT	129, 157, 159	130459GT	89	130989GT	215
1283290GT	181–182	130212GT	129, 169	130460GT	89	130990GT	217
1289104GT	123, 149	130215GT	129, 169	130461GT	89	131499GT	229
12906GT	131, 163	130220GT	129, 169	130462GT	107, 109	133028GT	33
12981GT	37	130223GT	131, 171	130476GT	71	133029GT	25, 29
13000GT	121, 145, 175,	130225GT	129	130480GT	123	133030GT	33
	179, 187, 189,	130241GT	131, 155	130493GT	177	133031GT	25, 27, 29
	201, 209, 235,	130242GT	131	130507GT	71	133032GT	25, 33, 35
	277	130243GT	155	130535GT	231	133033GT	25, 29
13004GT	177, 179	130245GT	135	130536GT	135, 155	133034GT	25, 29
130056GT	187	130250GT	133	130561GT	153	133035GT	33
130057GT	55	130251GT	133	130564GT	181–182	133037GT	33
130059GT	179	130252GT	133	130567GT	129	133038GT	25
130061GT	113	130254GT	131, 167	130606GT	187	133039GT	33
130062GT	113	130258GT	131, 167	130607GT	185, 187	133040GT	33
130063GT	113	130259GT	129, 131, 155	130608GT	187	133041GT	25, 33
130064GT	113	130301GT	131, 155	130609GT	187	133042GT	29
130065GT	113	130302GT	135, 281	130610GT	187	133043GT	33
130066GT	115	130313GT	123	130611GT	185, 187	133044GT	25, 27, 29
130067GT	115	130314GT	121	130612GT	187	133045GT	33
130068GT	117	130319GT	215	130613GT	187	133059GT	17
130084GT	283	130326GT	129, 155	13064GT	199, 205–206	133206GT	23, 35
130085GT	283	130327GT	131, 155	130657GT	187	133207GT	21
130107GT	215	130332GT	129	130659GT	187	134394GT	181–182
130117GT	129	130333GT	133	130662GT	187	134396GT	181–182
130119GT	129	130353GT	215	130668GT	181–182	138000GT	175
130120GT	129	130362GT	69, 109, 119	13066GT	69, 213, 215,	138007GT	143, 153, 289
130121GT	129	130363GT	69, 119		217, 219, 221,	138008GT	139
130122GT	129	130379GT	179		223, 231, 233,	138009GT	139
130123GT	129, 131, 157,	130386GT	229, 233		267	138010GT	139
	159, 163, 165,	130388GT	57	130715GT	69	138011GT	129
	167, 169	130390GT	43, 59	130718GT	71	138012GT	129
		130391GT	43	130719GT	71, 293	138013GT	137

Part Number	Page	Part Number	Page	Part Number	Page	Part Number	Page
138014GT	133	141784GT	45, 61	215219GT	197, 203	218723GT	201, 209
138015GT	133	141949GT	211, 213, 219,	215267GT	15, 23	218724GT	201, 209
138017GT	129		221, 223, 225	215268GT	15, 23	218739GT	187
138028GT	135	14297GT	121, 127, 129,	215326GT	71, 73	219151GT	79
138030GT	215		131, 135, 145,	215327GT	73	219321GT	199, 205–206
138037GT	63		147, 149, 151,	215329GT	295	219322GT	199, 205–206
138038GT	63		153, 155, 161,	215332GT	289, 291	219323GT	201, 209
138039GT	61		171, 173, 271,	215378GT	167	219325GT	201, 209
138041GT	63		281, 287	215379GT	167	219327GT	201, 209
138042GT	63	14723GT	235	215384GT	23	219328GT	201, 209
138044GT	63	15086GT	129, 199, 205–	215446GT	291	219329GT	201, 209
138045GT	63		206	215468GT	149	219330GT	205–206
138046GT	63	15513GT	271	215481GT	271, 273	219333GT	293
138048GT	63	160340GT	75	215482GT	171	219334GT	201, 209, 293
138059GT	139	160341GT	75	215522GT	293	219431GT	199
138062GT	177	160342GT	75	215578GT	185	219457GT	177, 182, 195,
138065GT	269	160343GT	75	215625GT	23, 35, 149		199, 205–206,
138066GT	269	160344GT	75	215626GT	23, 35, 149		289, 291
138082GT	223	161154GT	181–182	215627GT	23, 35, 149	219528GT	193
138087GT	185	161378GT	197	215628GT	23, 35, 149	219529GT	195
13854GT	211, 213, 215,	161387GT	203	215629GT	23, 35, 149	219530GT	195
	217, 219	161444GT	289, 291, 293,	215630GT	23, 35, 149	219532GT	193
13918GT	69, 185, 193, 217		295, 297	215631GT	23, 35, 149	219533GT	195
141002GT	211, 213, 217	161524GT	293	215638GT	219	219534GT	195
141003GT	211, 213	161853GT	201, 209	215639GT	219	219535GT	195
141004GT	211, 213, 215	161924GT	79	215644GT	27	219536GT	195
141018GT	235	161925GT	79	215646GT	27, 35	219537GT	193
141025GT	229, 231, 233	162342GT	215	215647GT	35	219538GT	195
141027GT	231, 233, 235	162432GT	153	215648GT	27	219539GT	195
141028GT	235	162446GT	145	215652GT	23, 35	219540GT	193
141029GT	235	162447GT	145	215771GT	171	219541GT	193
141030GT	229	162448GT	145	215772GT	171	219542GT	193
141045GT	231, 235	162449GT	145	215783GT	75	219543GT	195
141046GT	235	1626-175GT	235	21604GT	215	219544GT	195
141074GT	215	1702GT	137, 173, 182,	216179GT	197, 203	219545GT	195
141090GT	233, 235		189, 281, 287	216208GT	23	219546GT	195
141103GT	41, 57	18383GT	215	216567GT	219	219547GT	195
141104GT	57, 61	18504GT	147, 149, 153,	216568GT	219	219548GT	195
141117GT	21, 33		191, 199	216569GT	219	219549GT	193
141118GT	21, 33	18544GT	199, 205–206	216570GT	219	219550GT	195
141119GT	21, 33	18605GT	73	216571GT	219	219626GT	23, 35
141120GT	21, 33	18716GT	215	216635GT	219	219651GT	237
141121GT	21, 33	19273GT	182, 189	216745GT	182, 189	219725GT	71, 73
141122GT	21, 33	19274GT	125, 273, 275	216746GT	182, 189	219891GT	253–254, 257
141123GT	21, 33	2-1084-1GT	227	216747GT	182, 189	220010GT	195
141124GT	21, 33	2124715GT	155	216748GT	182, 189	220011GT	193
141125GT	21, 33	214334GT	295	217035GT	287	220012GT	193
141126GT	21, 33	214354GT	205–206	217158GT	219	220013GT	195
141127GT	21, 33	214418GT	15, 23	217206GT	71	220014GT	195
141128GT	21, 33	214419GT	23	217207GT	289, 291	220015GT	293
141146GT	21, 23	214435GT	81, 257	217469GT	175, 182, 199	220016GT	195, 293
141174GT	71	214436GT	81, 253–254	217519GT	175	220017GT	195
141183GT	237	214437GT	171	217874GT	277, 279, 297	220018GT	195
141197GT	237	214443GT	151, 289, 291	217939GT	195	220019GT	195
141198GT	237	214538GT	289	217940GT	181–182, 293	220020GT	193
141200GT	237	214539GT	289, 291	218049GT	75	220021GT	189
141201GT	237	214540GT	289, 291	218077GT	73	220022GT	189
141204GT	237	214545GT	181–182	218100GT	125, 151	220023GT	189
141233GT	193, 199, 205–	214546GT	181–182	218102GT	147	220024GT	195
	206	214580GT	173, 287	218403GT	181–182, 189	220025GT	195
141303GT	179, 187	214581GT	147	218423GT	189	220026GT	195
141309GT	231, 233	214582GT	173, 287	218485GT	57	220027GT	191
141311GT	233	214583GT	173, 287	218486GT	61	220028GT	191
141325GT	179	214584GT	173, 287	218489GT	133, 161	220029GT	191
141326GT	179, 199	214585GT	173, 287	218492GT	179	220030GT	191
141334GT	233	214586GT	173, 287	218702GT	199, 205–206	220031GT	185, 191
141365GT	69, 185, 193	214587GT	173, 287	218703GT	199, 205–206	220032GT	191
141420GT	175	214588GT	173, 287	218709GT	199, 205–206	220033GT	191
141426GT	217	214795GT	199	218713GT	199, 205–206	220034GT	191
141427GT	217	214853GT	173, 287	218714GT	197, 203	220037GT	189
141429GT	125	214854GT	145	218715GT	197, 203	220038GT	189
141448GT	231, 233	214856GT	141, 153	218716GT	201, 209	220039GT	189
141579GT	121, 145, 147	214857GT	165	218717GT	201, 209	220040GT	189
14162GT	129, 131	214861GT	145, 147	218718GT	201, 209	220041GT	189
141650GT	85	215216GT	197, 203	218719GT	201, 209	220042GT	189
141653GT	273, 275	215217GT	197, 203	218722GT	201, 209	220043GT	189

## Part Number Index (continued)

Part Number	Page	Part Number	Page	Part Number	Page	Part Number	Page
220044GT	189	229002GT	75	233940GT	297	237598GT	15, 23
220045GT	189	229003GT	75	233987GT	145	237599GT	23
220046GT	189	229004GT	75	233989GT	147, 271, 295	237600GT	23
220047GT	189	229005GT	75	233991GT	129	237601GT	23
220048GT	191	229011GT	71	234859GT	297	237605GT	23
220049GT	191	229014GT	71	234861GT	297	237606GT	23, 35
220050GT	191	229022GT	71, 293	234962GT	205-206	237662GT	151
220051GT	191	229054GT	175	234966GT	71	237665GT	155
220052GT	191	229296GT	151	234968GT	185	237667GT	157
220053GT	191	229300GT	149	234969GT	71	237668GT	157
220054GT	189	229303GT	173	235183GT	185	237720GT	27, 29
220055GT	191	229304GT	147, 153	235287GT	285	237721GT	35
220056GT	195	229676GT	271, 275	235288GT	285, 287	237796GT	23
220057GT	195	229677GT	295	235289GT	285	237872GT	199, 205-206
220058GT	189	229678GT	295	235290GT	285	237933GT	153, 289, 291, 293
220059GT	189	229680GT	295	235291GT	285	237970GT	15, 23
220061GT	189	229682GT	145, 147, 289, 291	235292GT	285	237971GT	23
220063GT	189	229683GT	145, 147, 289, 291	235293GT	285	238126GT	297
220064GT	189	229684GT	271, 273, 275	235294GT	285	238312GT	13
22571GT	205-206, 271	229819GT	153	235295GT	285	24040GT	71
22578GT	131, 147	229819GT	153	235297GT	285, 287	24514GT	121, 145, 147
22599GT	137	229933GT	145, 147	235298GT	285	24537GT	145
226295GT	85	229959GT	145	235299GT	285, 287	25368GT	131, 167, 171
226296GT	83	229961GT	151	235341GT	51, 65	25926GT	171
226306GT	151	229961GT	151	235388GT	181-182	25930GT	131, 163
226392GT	281	229965GT	151	235389GT	39, 55, 75	25956GT	129, 131, 157, 159, 167
226569GT	57	229970GT	153	235478GT	197, 203	27034GT	177
226575GT	181-182	229971GT	149	235638GT	43, 47	28159GT	17, 23, 29
226579GT	175	229972GT	149	236221GT	229	28175GT	17, 23
226607GT	75	229973GT	259	236242GT	197, 203	28487GT	73, 121, 135, 145, 147, 149, 151, 281
226608GT	75	229975GT	259	236243GT	197, 203	28611GT	149
226627GT	185, 193	229976GT	265	236244GT	201, 209	28646GT	217
226666GT	231	229977GT	257, 265, 271	236245GT	201, 209	29868GT	125, 129, 145, 147, 149, 151, 281
226884GT	233	229978GT	149	236246GT	201, 209	3-1069-4GT	21
226885GT	233	229993GT	73	236247GT	199, 205-206	3-1069-7GT	21
227108GT	151	229994GT	73	236248GT	201, 209	3-1136GT	223, 227
227118GT	221	230002GT	149, 153	236251GT	201, 209	3-1145-1GT	227
227119GT	223	230007GT	159	236252GT	201, 209	3-1145-2GT	223, 227
227493GT	293	230008GT	155	236254GT	201, 209	3-1335-1GT	217
227494GT	141, 153, 289	230009GT	157, 159	236255GT	201, 209	3-1335GT	213, 219, 221, 223
227495GT	149, 289, 291	230011GT	153	236258GT	201, 209	30370GT	219
227767GT	175	230015GT	149	236259GT	199, 205-206	30489GT	189, 201, 209
227889GT	181-182	230017GT	149	236260GT	199, 205-206	30490GT	167
227890GT	181-182	230026GT	161	236266GT	199, 205-206	30748GT	229, 231
227891GT	181-182	230027GT	161	236267GT	201, 209	30971GT	181-182
227892GT	181-182	230030GT	155	236268GT	201, 209	31788GT	17
227893GT	181-182	230032GT	271	236271GT	197, 203	32328GT	135
227894GT	181-182	230033GT	149	236272GT	197, 203	33277GT	199
227895GT	181-182	230039GT	155	236273GT	197, 203	33278GT	37, 39, 69, 269, 271
227896GT	181-182	230043GT	155	236274GT	197, 203	33418GT	199, 205-206
227897GT	181-182	230044GT	157	236280GT	153	33987GT	121
227898GT	185	230045GT	133, 161	236332GT	197, 203	34052GT	153, 173, 287
227899GT	185	23057GT	131, 167	236333GT	197, 203	34348GT	39
227900GT	185	230681GT	269, 275	236334GT	197, 203	34955GT	189
227901GT	185	230682GT	269, 275	236345GT	127, 153	35434GT	181-182
227903GT	187	230683GT	269, 273	236346GT	127, 153	35461GT	73
227911GT	181-182	231118GT	155	236348GT	271	36206GT	173, 281, 287
227912GT	181-182	231119GT	167	236350GT	123, 157	36388GT	73
227913GT	185	231120GT	167	236351GT	159	36603GT	231, 233
227914GT	185	231122GT	43	236433GT	145	36874GT	129
227915GT	185	231123GT	167	236435GT	153	38709GT	131, 163
227916GT	185	231146GT	285, 287	236436GT	153	38859GT	55, 121, 133, 145, 147
227917GT	185	231155GT	13, 15, 23, 25, 27	236439GT	149, 153	39479GT	213, 215, 217, 219, 221, 223
227918GT	185	231330GT	155	236442GT	157	39542GT	71, 151
227919GT	185	231931GT	121, 145, 147, 289, 291	236662GT	181-182	4266GT	277, 279
227920GT	187	233510GT	173, 287	236667GT	155		
228391GT	219	233569GT	73	236668GT	171		
228392GT	219	233804GT	39, 55	236782GT	155		
228981GT	229	233812GT	297	236783GT	169		
228982GT	41	233827GT	79	236784GT	171		
228990GT	43, 59	233828GT	191	236947GT	153		
228991GT	43, 59	233829GT	191	236979GT	73		
228992GT	43	233830GT	191	237067GT	167		
228993GT	43	233831GT	79	237161GT	199		
228994GT	43	233833GT	79	237162GT	199		
229001GT	75			237163GT	199		

## Part Number Index (continued)

Part Number	Page	Part Number	Page	Part Number	Page	Part Number	Page
42726GT	129	49120-1550GT	247	54283GT	243	61074-8300GT	249
43255GT	263	49120-3200GT	247	55675GT	71	61385GT	37, 55, 77, 79
43392GT	129, 131, 161, 163, 167	49120-4400GT	247	55906GT	269	6145GT	75, 235
44174GT	253-254, 257, 259, 261, 277, 279	49128-1600GT	247	55987-2000GT	271	6146GT	121, 133, 145, 147, 149, 173, 271, 277, 279, 287
44224GT	253-254, 257	49128-1900GT	247	56286GT	73	6147GT	235
44227GT	253-254, 257	49129-1525GT	283	56912GT	55, 75, 77, 79, 127, 129, 131, 135, 149, 155, 161, 171, 173, 191, 197, 203, 229, 235, 269, 271, 279, 281, 287	6175GT	55, 75, 123, 133, 151, 173, 179, 277, 279, 281
44228GT	253-254, 257	49129-5425GT	283	56934GT	259	6178GT	135, 235, 271, 277, 279
44229GT	253-254	49130-10200GT	247	57072GT	129, 145, 147, 155	6198GT	37, 55, 77, 79, 145, 147, 213, 221, 223
44230GT	259, 261	49130-11700GT	239	57201GT	69, 185, 193	62125GT	261
44290GT	235	49130-13200GT	239, 247	58322GT	123, 149, 171	62324GT	253-254, 257
44662GT	229, 231, 233	49130-3500GT	219	6-5204-06GT	125	62330GT	261
44743GT	121, 145, 147	49130-4000GT	247	6-5204-10GT	229, 235	62337GT	257
45470GT	271	49130-4100GT	239	6-5205-05GT	215	62341GT	253-254, 257
45643GT	259	49130-4600GT	247	6-5205-08GT	145	62346GT	253-254, 257
46131GT	173, 281, 287	49130-5000GT	247	6-5205-16GT	71	6272GT	153
46718GT	129, 131, 133, 171, 173, 281, 287	49130-5600GT	243	6-5206-16GT	235	62822GT	125
47478GT	79, 123, 129, 131, 133, 149, 157, 165	49130-5900GT	247	6-5206-20GT	231, 233	6356GT	135, 137, 173, 281, 287
47569GT	71	49130-6600GT	239	6-5206-28GT	217	640696GT	131, 167
4828GT	37, 75, 121, 123, 125, 127, 129, 131, 145, 149, 153, 155, 173, 177, 211, 213, 215, 217, 219, 221, 223, 225, 231, 233, 237, 287	49130-6800GT	243	6-5206-40GT	215	641025GT	131
48425GT	179, 199, 205-206	49163-4600GT	283	6-5312-40GT	227	641026GT	131
48875GT	245, 247, 283	49170-5100GT	243, 245	6-6205-05GT	233	64154GT	75, 123, 127, 149, 153, 173, 287
48879GT	283	49180-4716GT	283	6-6206-12GT	227	64325GT	235
48880GT	253-254, 257	49183-13000GT	249	6-6212-04GT	125, 177, 182, 195	66055GT	215
48892GT	283	49183-16600GT	251	6-6212-10GT	69	6605GT	37
48893GT	283	49183-2100GT	249	6-6215-16GT	233	6607GT	123, 149
48904GT	239, 243	49183-2700GT	251	6-6215-24GT	215	66094GT	73
48905GT	239, 241, 243, 245, 247, 251, 283	49183-3500GT	241	6-6243-06GT	229, 231, 233, 235	6637GT	77, 79
48907GT	241	49183-5200GT	249	6-6252-04GT	137	6638GT	55, 73, 75, 77, 79, 121, 127, 129, 131, 133, 135, 145, 149, 151, 153, 155, 161, 167, 171, 173, 197, 201, 203, 209, 229, 235, 237, 269, 271, 277, 279, 281, 287
48908GT	245, 283	49364GT	129, 131, 157, 159, 163, 165, 167, 169	6-6252-12GT	185, 187	6708GT	206
48912GT	243, 245	49375GT	171	6-6286-04GT	269	67325GT	71
48915GT	241, 243, 283	49378GT	43, 197, 203	6019GT	55, 77, 79, 233	6732GT	211, 213, 215, 217, 221, 223, 225
48916GT	239, 241, 243, 245, 247, 283	49379GT	199, 271	6021GT	199, 205-206, 235	67498GT	283
48929GT	239, 243, 245, 247	49381GT	175, 177, 199, 201, 205-206, 209	6022GT	199, 205-206	67537GT	201, 209
48930GT	239	49403GT	129, 131, 157, 159, 165, 169	6024GT	69, 179, 199, 205-206	6782GT	121, 123, 145, 147, 149, 175, 179, 187, 189, 197, 201, 203, 209, 215, 277
48932GT	249	49406GT	137	6033GT	185	6878GT	71, 77, 133, 161, 237, 269, 271
48933GT	241, 243, 249, 251, 283	49408GT	199, 205-206, 271	6035GT	177, 179	6886GT	215
48938GT	283	49409GT	201, 209	60424GT	235	6888GT	149, 173, 177, 182, 195, 197, 203, 209, 277, 287
48946GT	241, 251, 283	49410GT	199, 205-206	60425GT	235	6889GT	135, 147, 151, 153
48952GT	249	49412GT	137	60429GT	141	69775GT	283
48960GT	243, 249	49413GT	201, 209	60584GT	131, 163	69864GT	125
48968GT	235, 249	49416GT	277, 279	6090GT	55, 75, 77, 79, 151, 173, 235, 237, 269, 279, 287	7-109-02GT	179, 187, 189, 201, 209
48969GT	249	49924GT	201, 209	6091GT	71, 77, 125, 127, 131, 133, 135, 145, 147, 153, 167, 171, 173, 177, 182, 195, 201, 209, 237, 269, 271, 277, 279, 287	7-109-03GT	179, 201, 209
48983GT	245	49983GT	243	6095GT	71, 121, 131, 145, 147, 151, 155, 185		
48984GT	243, 245	5-2134GT	231, 233	6097GT	75, 121, 123, 125, 127, 129, 131, 133, 145, 151, 153, 155, 161, 167, 173, 269, 277, 279, 281, 287		
48997GT	253-254, 257, 259	5-2137GT	233	61073-2000GT	249		
49109-4229GT	283	50793GT	197, 203	61074-2000GT	249		
49119-13700GT	247	51428GT	191				
49119-2500GT	251	5224GT	211, 213, 215, 217, 219, 221, 223, 225, 233				
49119-3200GT	243	52368GT	259				
49119-3500GT	241	52370GT	257				
49119-3800GT	239	52371GT	257				
49119-4400GT	243, 245	52373GT	257				
49119-5000GT	243, 245	52378GT	261, 263				
49119-5500GT	243, 245	52907GT	253-254, 257, 261, 263				
		5365GT	121, 123, 133, 135, 145, 147, 149, 173, 281, 287				
		53909GT	199, 205-206				
		5397GT	121, 145, 147, 151, 175, 179, 187, 189, 197, 201, 203, 209, 277				
		54260GT	141				

## Part Number Index (continued)

Part Number	Page	Part Number	Page	Part Number	Page	Part Number	Page
7-109-04GT	179, 187, 201, 209	7-126-292GT	107	7-126-63GT	117	7-229-771GT	43, 59
7-109-05GT	179	7-126-294GT	89, 107	7-126-640GT	91	7-229-772GT	43, 59
7-109-14GT	179, 187, 201, 209	7-126-296GT	107	7-126-641GT	93, 101	7-229-773GT	43, 59
7-109-17GT	187	7-126-302GT	109	7-126-642GT	95, 97	7-229-775GT	43, 59
7-109-3GT	187	7-126-303GT	109	7-126-643GT	95, 97	7-229-776GT	59
7-112-63GT	111, 267	7-126-304GT	109	7-126-644GT	95, 97	7-229-777GT	43, 59
7-119-01GT	75	7-126-305GT	109	7-126-64GT	117	7-229-778GT	43, 59
7-125-05GT	125, 151	7-126-306GT	109	7-126-652GT	97	7-229-779GT	43, 59
7-125-06GT	269, 271	7-126-307GT	109	7-126-653GT	97	7-229-780GT	43
7-126-05GT	83	7-126-309GT	109	7-126-654GT	97	7-229-781GT	43, 59
7-126-07GT	83	7-126-310GT	109	7-126-656GT	101	7-229-782GT	43, 59
7-126-08GT	83, 115	7-126-311GT	109	7-126-657GT	103	7-229-783GT	43, 59
7-126-107GT	111	7-126-314GT	109	7-126-658GT	103	7-229-784GT	43, 59
7-126-109GT	111	7-126-318GT	107	7-126-659GT	103	7-229-785GT	43, 59
7-126-10GT	83, 85, 105, 111	7-126-328GT	117	7-126-65GT	117	7-229-792GT	43, 59
7-126-111GT	105	7-126-33GT	85	7-126-660GT	103	7-229-793GT	43, 59
7-126-112GT	111	7-126-356GT	83, 85	7-126-661GT	103	7-229-794GT	43
7-126-114GT	109	7-126-391GT	69	7-126-662GT	109	7-229-795GT	43, 59
7-126-115GT	109	7-126-404GT	83, 85	7-126-663GT	109	7-229-796GT	43
7-126-116GT	109	7-126-405GT	83, 85	7-126-664GT	109	7-229-797GT	43
7-126-117GT	109	7-126-41GT	85	7-126-667GT	87	7-229-798GT	43
7-126-118GT	109	7-126-440GT	95, 97	7-126-668GT	87	7-229-799GT	43
7-126-122GT	69, 89	7-126-45GT	87, 93	7-126-679GT	99, 101	7-229-800GT	43
7-126-123GT	109	7-126-48GT	87, 105	7-126-680GT	111	7-229-801GT	43
7-126-125GT	109	7-126-49GT	87, 109	7-126-68GT	117	7-229-803GT	43
7-126-144GT	99, 101, 105, 107	7-126-519GT	95	7-126-69GT	117	7-229-804GT	43
7-126-145GT	99, 101, 105, 107	7-126-51GT	87	7-126-773GT	115	7-229-805GT	43
7-126-147GT	99, 101, 105, 107	7-126-528GT	83, 85	7-126-774GT	115	7-229-806GT	43
7-126-148GT	99, 101, 107	7-126-533GT	83	7-126-775GT	115	7-229-809GT	45
7-126-14GT	83	7-126-539GT	87	7-126-776GT	115	7-229-810GT	45, 61
7-126-150GT	99, 101, 105, 107	7-126-53GT	91	7-126-784GT	113, 115, 117	7-229-813GT	45, 61
7-126-151GT	101, 105, 107	7-126-540GT	91	7-126-92GT	117	7-229-814GT	45, 61
7-126-152GT	101, 105, 107	7-126-54GT	89, 91, 107, 113	7-128-02GT	75	7-229-815GT	45, 61
7-126-153GT	101, 105, 107	7-126-55GT	99	7-144-09GT	131, 171	7-229-821GT	45, 61
7-126-154GT	101	7-126-561GT	97	7-147-41GT	125, 151	7-229-826GT	45, 61
7-126-156GT	105	7-126-565GT	101, 107	7-147-44GT	125, 151	7-229-827GT	45, 61
7-126-158GT	101	7-126-566GT	99, 101	7-162-02GT	133, 271, 275	7-229-828GT	45, 61
7-126-15GT	83	7-126-569GT	101	7-164-02GT	269, 273, 275	7-229-831GT	45, 61
7-126-161GT	105, 109	7-126-572GT	99	7-164-09GT	135	7-229-833GT	45, 61
7-126-162GT	105	7-126-573GT	103	7-173-05GT	235	7-229-834GT	61
7-126-163GT	97, 105	7-126-575GT	105	7-183-184GT	177	7-229-835GT	45, 61
7-126-164GT	105	7-126-576GT	105	7-183-201GT	175	7-229-838GT	45, 61
7-126-165GT	101, 105	7-126-579GT	107	7-183-202GT	175	7-229-839GT	45, 61
7-126-166GT	105	7-126-581GT	93	7-183-53GT	175	7-229-840GT	45, 61
7-126-170GT	105, 107	7-126-582GT	109	7-183-98GT	179	7-229-842GT	45, 61
7-126-171GT	105	7-126-586GT	113	7-190-04GT	177	7-229-845GT	47
7-126-173GT	105	7-126-593GT	85	7-194-39GT	223, 227	7-229-846GT	47
7-126-175GT	101	7-126-594GT	85	7-229-465GT	41	7-229-847GT	47
7-126-176GT	105	7-126-603GT	117	7-229-526GT	41, 45, 57, 61	7-229-848GT	47
7-126-177GT	101	7-126-608GT	83	7-229-538GT	43, 59	7-229-850GT	47
7-126-178GT	101	7-126-609GT	83	7-229-562GT	45, 61	7-229-851GT	47
7-126-180GT	101	7-126-610GT	83	7-229-564GT	45, 61	7-229-852GT	47
7-126-181GT	99, 101	7-126-611GT	83	7-229-565GT	45, 61	7-229-854GT	47
7-126-183GT	99, 101	7-126-612GT	83, 85	7-229-566GT	45, 61	7-229-855GT	47, 49
7-126-191GT	103	7-126-613GT	83	7-229-580GT	61	7-229-856GT	47, 49
7-126-195GT	99	7-126-614GT	83, 85	7-229-592GT	45, 61	7-229-858GT	47
7-126-198GT	99	7-126-615GT	85	7-229-599GT	45, 61	7-229-859GT	47
7-126-199GT	99	7-126-616GT	85	7-229-601GT	41, 45, 57, 61	7-229-863GT	47
7-126-200GT	99	7-126-617GT	85	7-229-623GT	45, 61	7-229-864GT	47
7-126-201GT	107	7-126-618GT	85	7-229-644GT	63	7-229-865GT	47
7-126-203GT	97	7-126-619GT	85	7-229-645GT	63	7-229-866GT	47
7-126-208GT	97	7-126-620GT	85	7-229-646GT	47	7-229-868GT	47
7-126-20GT	85	7-126-621GT	85	7-229-662GT	43, 59	7-229-871GT	51, 65
7-126-215GT	95	7-126-622GT	85	7-229-663GT	43, 59	7-229-879GT	59
7-126-21GT	85	7-126-624GT	85	7-229-664GT	43, 59	7-229-886GT	45, 61
7-126-22GT	85, 111	7-126-625GT	85	7-229-665GT	43, 59	7-229-887GT	45, 61
7-126-23GT	85	7-126-626GT	85	7-229-681GT	45, 61	7-229-896GT	69
7-126-254GT	69, 119	7-126-627GT	85	7-229-726GT	43	7-229-920GT	51, 65
7-126-270GT	85	7-126-628GT	87	7-229-727GT	43	7-229-929GT	41
7-126-271GT	85	7-126-629GT	87	7-229-729GT	43	7-229-935GT	45, 61
7-126-273GT	107	7-126-630GT	87	7-229-731GT	43	7-229-938GT	45, 61
7-126-280GT	95, 97	7-126-631GT	87	7-229-764GT	41, 57	7-229-994GT	43
7-126-286GT	103	7-126-632GT	87	7-229-765GT	57	7-234-04GT	215
7-126-291GT	107	7-126-633GT	87	7-229-767GT	41, 51, 57, 65	7-234-41GT	215
		7-126-638GT	91	7-229-768GT	41	7-236-09GT	175, 181-182
		7-126-639GT	91	7-229-770GT	43, 59	7-273-27GT	71



Part Number	Page	Part Number	Page	Part Number	Page	Part Number	Page
7-287-01GT	121	824244GT	49	97672GT	21	T114403GT	181-182
7-287-02GT	121	824245GT	41	97673GT	13, 21, 229	T114404GT	181-182
7-289-03GT	269, 271, 273	824251GT	45	97674GT	13	T114405GT	181-182
7-289-04GT	269, 273, 275	824326GT	205-206	97675GT	17	T114406GT	181-182
7-289-05GT	269, 273	824327GT	206	97676GT	21	T114407GT	181-182
7-289-07GT	269, 275	824348GT	206	9990258GT	111	T114411GT	181-182
7-297-02GT	133, 137, 173, 281, 287	824478GT	47, 49, 63	BX-1060GT	227	T114412GT	181-182
7-319-17GT	71, 75, 293	824527GT	111, 267	T106381GT	229, 231, 233	T114413GT	181-182
7-319-21GT	175	824671GT	187	T106382GT	125, 231, 233, 235	T114414GT	181-182
7-319-31GT	133, 271, 275	824673GT	199, 205-206	T106383GT	229, 235	T114415GT	181-182, 293
7-369-01GT	75	82473GT	29	T106384GT	233, 235	T114416GT	181-182
71874GT	121, 133, 145, 147	82474GT	199	T106384GT	233, 235	T114418GT	185
71911GT	199, 205-206	824774GT	197, 203	T107204GT	281	T114424GT	181-182
73464GT	131	824818GT	205-206	T107205GT	281	T114425GT	181-182
73466GT	129, 131, 155	82481GT	29	T107206GT	281	T114441GT	181-182
73575GT	151	824867GT	63	T107208GT	277, 279	T114445GT	181-182
73587GT	151	82487GT	33	T107209GT	277, 279	T114448GT	181-182, 195
74323GT	39, 55, 185	824987GT	199, 205-206	T107210GT	277, 279	T114450GT	181-182, 195
75042GT	235, 249, 251	825015GT	205-206	T107211GT	277, 279	T114451GT	181-182, 195
75052GT	191	825019GT	55, 75, 217, 233	T107212GT	277, 279	T114476GT	181-182
75144GT	55, 75, 77, 79	825048GT	199, 205-206	T107213GT	277, 279	T114478GT	181-182
75278-58700GT	249	825144GT	145	T107214GT	283		
75278-60300GT	251	825249GT	197, 203	T107215GT	283		
75306GT	185, 187	825355GT	147	T107216GT	283		
75321GT	181-182	825422GT	293	T107217GT	283		
75326GT	181-182	825515GT	205-206	T107218GT	277, 279		
75340GT	181-182	825516GT	205-206	T107220GT	277, 279		
75342GT	181-182	825517GT	205-206	T107221GT	277		
75343GT	181-182	825518GT	205-206	T107222GT	277		
76069GT	77, 79	825519GT	205-206	T107223GT	277, 279		
77014GT	219	825551GT	199, 205-206	T107224GT	77		
77048GT	271	82558GT	13, 15, 17, 23	T107225GT	77		
77051GT	37, 39, 55, 185, 219, 269, 271	8255GT	277, 279	T107382GT	283		
7713GT	71, 145, 147, 151, 155, 233	825601GT	193	T107383GT	283		
78086GT	71, 151	82560GT	25, 27, 29	T107384GT	277, 279		
79090GT	71, 123, 149	825922GT	49	T107385GT	277, 279		
79579GT	229, 231	825929GT	49	T107386GT	277, 279		
80149GT	147	825974GT	121	T107387GT	277, 279		
8177GT	77, 79	826223GT	141, 153	T107388GT	279		
81851GT	231, 233, 235	826224GT	141, 153	T107482GT	219		
81900GT	123, 125, 127	826226GT	141	T107837GT	277, 279		
822262GT	219	826227GT	141, 153	T107838GT	277, 279		
822266GT	219	826345GT	23	T107839GT	277, 279		
822267GT	219	826879GT	289, 291	T107840GT	277, 279		
822268GT	219	827067GT	81	T107841GT	277, 279		
822269GT	219	84114GT	259	T107896GT	277, 279		
822273GT	219	84155GT	253-254, 257	T108404GT	175, 279		
822274GT	219	85099GT	199, 205-206	T114016GT	69		
822275GT	219	8516GT	237	T114017GT	69		
822643GT	175	87075GT	151	T114018GT	69		
822806GT	147	87188GT	81	T114019GT	69		
822924GT	289, 291	88064GT	201, 209	T114026GT	69		
822968GT	177	88406GT	145, 147	T114028GT	69		
823055GT	147	88614GT	131, 153, 171	T114029GT	69		
823057GT	199, 205-206	8915GT	73, 199, 205-206	T114327GT	185		
823106GT	153	89862GT	259	T114333GT	185		
823117GT	75	89864GT	259	T114334GT	185		
823118GT	75	9116GT	131, 153	T114335GT	181-182		
823217GT	71	91739GT	141	T114336GT	187		
823311GT	243	94195GT	219	T114337GT	185, 191		
823421-1750GT	205-206	94747GT	235	T114338GT	185		
823664GT	75	96423GT	233	T114339GT	185		
82366GT	17, 23	96430GT	211, 213, 215, 217, 219, 221, 223, 225	T114341GT	185		
823749GT	147	96907GT	233	T114342GT	185		
823750GT	147	97172GT	253-254, 257	T114344GT	181-182		
823939GT	219	97183GT	253-254	T114345GT	181-182		
824027GT	199, 205-206	97602GT	23	T114346GT	181-182		
824029GT	81	97664GT	13, 21, 23	T114347GT	185		
824068GT	81	97665GT	21	T114348GT	185		
824079GT	199, 205-206	97666GT	21	T114349GT	187, 189		
824241GT	49	97667GT	13, 15, 17, 23	T114350GT	185, 191		
824242GT	45	97668GT	21	T114352GT	187		
		97669GT	21	T114380GT	187		
		97670GT	21	T114381GT	187		
				T114398GT	181-182		
				T114400GT	181-182		

## Part Description Index

The Part Description Index is an alphabetical index of all part descriptions included in this manual. The index shows what page(s) the part is used on.

**#**  
#8,90 DEG ORFS SWIVEL.....251

**0**  
O-RING.....109

**1**  
1"O-RING PLUG.....71  
10X SWAY HARDWARE KIT.....39, 55  
10XX WIPER SEAL KIT.....129  
1480 (ROUND CAP) U-JOINT.....69  
1480 FLANGE YOKE.....69  
161387GT ASSY, BLOCK HTR, DEUTZ.....197

**A**  
AC COMPRESSOR,HYD.....277, 279  
AC CONDENSER, RAD MNTD.....277, 279  
ACCUMULATOR,29CC,400PSI.....81  
ADAPTER PLATE.....69, 185, 193  
ADAPTER, OIL DRAIN VALVE.....182, 189  
ADAPTER,04 FORB X02 MP.....85  
ADAPTER,6MFF0R-14MMB.....247  
ADJUSTING BOLT.....49, 63  
AIR CLEANER, M&H400, MIRROR IN.....179, 187, 201, 209  
AIR CLEANER, M&H500, MIRROR IN.....189  
ALARM, BACKUP WARNING.....175, 182, 199  
ALTERNATOR,1204E-E44TA.....195  
ALTERNATOR,95 AMP,DEUTZ.....201, 209  
ALTERNATOR,JD-4045.....175  
ALTERNATOR,PERKINS 1104C-44.....181-182  
ANCHOR,CHAIN,STEPPED,BL666.....229  
ANCHOR,EXTEND CHAIN.....233  
ANGLE INDICATOR,GTH.....235  
ASSEMBLY, BRAKE VALVE.....151  
ASSEMBLY, DOME LIGHT.....155  
ASSEMBLY, FUEL SENDER.....71  
ASSEMBLY, GROUND BUSS.....289, 291, 293, 295, 297  
ASSEMBLY, HEATER/AC DUCT.....287  
ASSEMBLY, OIL DRAIN VALVE KIT.....182, 189  
ASSEMBLY, POWER BUSS.....293  
ASSEMBLY, REAR WINDOW.....131, 155  
ASSEMBLY, RH WINDOW, GTH.....155  
ASSEMBLY, RR WINDOW.....155  
ASSEMBLY, SKYLIGHT GTH.....155  
ASSEMBLY, WASHER BOTTLE.....155  
ASSEMBLY,FOOT SWITCH.....151, 289, 291  
ASSEMBLY,FUSE PANEL.....125  
ASSEMBLY,STEERING COLUMN.....125  
ASSEMBLY,VALVE COVER,PERKINS.....181-182  
ASSEMBLY,WINDSHIELD,GTH.....155  
ASSY / OIL TUBE.....181-182  
ASSY SM MID BOOM BLUE 1056.....231  
ASSY, 48" ROT, CARRIAGE, 10K.....219  
ASSY, 60" ROT, CARRIAGE, 10K.....219  
ASSY, BEACON LIGHT, GTH.....145, 147  
ASSY, BLOCK HTR, DEUTZ.....203  
ASSY, FUEL FILTER TCD 3.6.....199, 205-206  
ASSY, FUSE PANEL/PCB COVER.....153  
ASSY, REAR COVER.....77  
ASSY, REAR COVER TIER 4.....79

ASSY, RUBISH BUCKET.....221  
ASSY, SKYLIGHT W/O WIPER, GTH.....145  
ASSY, TRUSS BOOM.....223  
ASSY,3RD CLUTCH GEAR.....93  
ASSY,3RD CLUTCH,DRUM,HUB.....107  
ASSY,72" ROT, CARRIAGE, 10K.....219  
ASSY,CLUTCH PISTON & SEALS.....99, 101, 105, 107  
ASSY,CONVERTER HOUSING.....83  
ASSY,CONVERTER HOUSING,REFURB.....83  
ASSY,DIPSTICK.....85  
ASSY,DISC SPRING.....99, 101  
ASSY,DOOR WINDOW,ENCL.CAB.....131  
ASSY,DRAIN HOSE.....89  
ASSY,ENG MNT,LH FR,JD4045 T3.....175  
ASSY,ENG MNT,RH FR,JD4045 T3.....177  
ASSY,FRNT WINDOW W/O WIPER, GTH.....145  
ASSY,FUEL PREFILTER,DEUTZ 2.9.....199, 205-206  
ASSY,FWD SHAFT,DRUM & PLUG.....99  
ASSY,LEFT,FRONT,WINDOW.....155  
ASSY,LG MID BOOM,BLUE,1056.....233  
ASSY,LG MID BOOM,GREY,1056.....233  
ASSY,LOW SHAFT BRG.CAP.....85  
ASSY,LOWER DOOR,ENCL.CAB.....155  
ASSY,OUTPUT SHAFT & BUSHING.....109  
ASSY,REAR COVER & PLUG.....85  
ASSY,REV.& 2ND SHAFT.....101  
ASSY,REV.IDLER GEAR BEARING.....103  
ASSY,SUCTION TUBE.....85  
ASSY,TORQUE CONVERTER.....91  
ASSY,TRANSMISSION CASE.....85  
ASSY,TRANSMISSION CASE,REFURB.....85  
ASSY,TURBINE SHAFT RING.....87  
ASSY,TURBO INLET,TCD3.6,10K.....201, 209  
ASSY,UPPER DOOR,ENCL.CAB.....155  
ASSY,VALVE.....105  
ASSY,WEAR PAD,FRT 0.7" THK.....231, 233, 235  
ASSY,WEAR PAD,RR 0.5"THK.....229, 231, 233  
AXLE ARM,BRAKE (213.06.035.01).....45  
AXLE BOLT.....45  
AXLE CASE,FRONT AXLE.....45  
AXLE CASE,REAR AXLE.....61  
AXLE,DANA 213 FRONT 2180 FTF.....39  
AXLE,DANA,213 REAR 2180 FTF.....55  
AXLE,DANA,213 REAR,2180 FTF,REMAN...55

**B**  
BACK UP ALARM BRACKET.....201, 209  
BACK UP RING.....47, 63  
BACK-UP LIGHT.....269, 275  
BACK-UP RING.....47, 49  
BAFFLE,OIL.....87  
BALL BEARING.....45, 61  
BALL STUD, GAS STRUT, 3/8-16.....71, 151  
BALL,BEARING.....87, 101  
BALL,IDLER SHAFT LOCK.....97  
BAND,MOUNTING,MUFFLER,6.62".....187  
BAND,MUFFLER,DEUTZ TCD3.6.....199  
BATT CABLE ASSY,RED,3/0.....71, 293  
BATTERY CABLE ASSY,BLACK,000.....71, 293  
BATTERY CABLE ASSY,RED,000.....71  
BATTERY,12V 1000CCA,5/16STUD W.....71

BATTERY,AGM,GP31,1150CCA.....71  
BEARING.....43, 45, 59, 61, 69, 91, 105  
BEARING CUP.....45, 61  
BEARING,1.25IDX1.5ODX1.00L.....219  
BEARING,1.5 X 2.0 X 2.5.....231, 233  
BEARING,1.5"IDX2"ODX1.5"LG.....77, 79, 235  
BEARING,1.50IDX1.77ODX1.25L.....215  
BEARING,1.50IDX2.00ODX2.00LG.....77, 79  
BEARING,2.0 ID X 2.5 OD X 1.0L.....219  
BEARING,2.00IDX2.50ODX1.50L.....37, 39, 55, 211, 213, 215, 217, 221, 223, 225  
BEARING,2.50IDX3.00 ODX1.50LG.....77, 79, 211, 213, 215, 217, 221, 223, 225, 229, 235  
BEARING,2.50IDX3.00ODX2.00LG.....55, 77, 79  
BEARING,3.00IDX3.50ODX2.00LG.....77, 79, 235  
BEARING,3.00IDX3.50ODX2.5L.....37  
BEARING,3RD SHAFT PILOT.....107  
BEARING,BALL.....95, 97, 107, 109  
BEARING,CLUTCH DRIVEN GEAR.....101  
BEARING,FORWARD SHAFT,FRONT.....99  
BEARING,FORWARD SHAFT,REAR.....99  
BEARING,IMPELLER HUB GEAR.....91  
BEARING,LOW SPEED CLUTCH SHAFT.....105, 109  
BEARING,LOW SPEED GEAR.....105  
BEARING,REV.& 2ND SHAFT,REAR.....101  
BELT TENSIONER,1204E-E44TA.....195  
BELT TENSIONER,JD-4045.....175  
BELT,DRIVE,1204E-E44TA.....195  
BEVEL GEAR SET.....43, 59  
BINARY SWITCH, AC.....277, 279  
BLEEDER BOLT.....47, 49, 63  
BLK SAFETY WALK 2 IN WIDE RO.....121  
BLK SAFETY WALK 6 IN WIDE RO.....121  
BLOCK VALVE,10XX,AC.....285, 287  
BLOWER (117649) WITH MOTOR.....137, 287  
BLOWER ASSY,12V,10XX,AC.....285  
BLOWER SWITCH W/NUT (123288).....135  
BOLT.....43, 45, 47, 49, 59, 61, 63  
BOLT / COUNTERSUNK.....45, 61  
BOLT FLANGE,3/8NC-16X3/4LG,LT.....229, 231, 233  
BOLT, 10X20MM X 10.9GR FLANGE.....193, 199, 205-206  
BOLT, 12MX30.....185  
BOLT, HHC, 1/2 X 3.5.....185  
BOLT, HHC, 3/8 X 3/4.....187  
BOLT, NC, 5/16-1/2.....181-182  
BOLT,12X20MMX1.75X10.9 GR FLNG.....179  
BOLT,CARRIAGE,#10-24X.50,G2.....121, 133, 145, 147  
BOLT,CARRIAGE,1/4-20 X .5,G2.....147  
BOLT,CARRIAGE,1/4-20 X .75,G2.....71, 77, 133, 161, 237, 269, 271  
BOLT,CARRIAGE,1/4-20 X 1.75,G2.....131  
BOLT,CARRIAGE,1/4-20 X1.25,GR5.....167  
BOLT,CARRIAGE,1/4-20 X1.50 GR5.....167  
BOLT,CARRIAGE,1/4-20X1.00 G5.....131, 171  
BOLT,CARRIAGE,1/4-20x1.25,G2.....131, 153  
BOLT,CARRIAGE,3/8-16 X 1.00,G2.....129, 131, 155  
BOLT,CARRIAGE,3/8-16 X1.00,G5.....75, 123, 127, 149, 153, 173, 287  
BOLT,CARRIAGE,3/8-16X1.25,5,ZAG.....81

- BOLT,CARRIAGE,3/8-16X1.25,GR5.....121,  
 125, 145, 233, 237  
 BOLT,EXHAUST BRACKET.....187  
 BOLT,FLANGE,1/2-13 X 1.75.....121, 145, 147  
 BOLT,FLANGE,1/2-13X1.25,LKTITE.....233,  
 235  
 BOLT,HHC,5/16 X 1.....185  
 BOLT,HMB,2-12X5 7/8,GR8.....217  
 BOLT,INJECTOR,PERKINS 127HP.....181-182  
 BOLT,JD-4045.....175  
 BOLT,LAG,1/4NCX1,HEXHEAD.....121, 145  
 BOLT,MOUNTING PLATE,PERKINS.....181-  
 182  
 BOLT,SHCS,ALL-STL,M10X50X12.9,ZN.....69  
 BOLT,STEERING ADJUST.....45, 61  
 BOLT,3/8 UNF-2AX3/4 LG.....69  
 BOLTS,FLYWHEEL,PERKINS 127HP.....185  
 BOOT.....43  
 BOOT KIT,DANA 213/142 AXLE.....51, 65  
 BOOT, JOYSTICK (117625).....141  
 BOOT, JOYSTICK (1251849).....141  
 BOOT,BATTERY CABLE,3/0 RED.....71  
 BOWL,FUEL PREFILTER,PRKNS 1056...181-  
 182  
 BOX,INSTRUCTION STORAGE.....121, 145,  
 147  
 BRACKET, ALTERNATOR.....181-182  
 BRACKET, MUFFLER.....179  
 BRACKET, PULLEY.....201, 209  
 BRACKET,BACK UP ALARM.....199, 205-206  
 BRACKET,MOUNTING,LH REAR.....185  
 BRACKET,MOUNTING,LH,FRONT.....185  
 BRACKET,MOUNTING,RH REAR.....185  
 BRACKET,MOUNTING,RH,FRONT.....185  
 BRACKET,UPPER SUPPORT.....179  
 BRACKET,WASHER RESERVOIR.....135  
 BRAKE DISC.....47, 49, 63  
 BRAKE VALVE,GTH.....125  
 BREAKER PANEL ASSEMBLY- JOHN  
 DEERE.....73  
 BREAKER PANEL ASSEMBLY- PERKINS &  
 DEUTZ.....73  
 BREATHER / AIR.....83  
 BREATHER VALVE,1204E-E44TA.....193  
 BREATHER,FILLER,3 PSI.....71  
 BRKT,BREAKER,1204E-E44TA.....195  
 BRKT,ELEC,FRNT,1204E-E44TA.....195  
 BRKT,ELEC,REAR,1204E-E44TA.....195  
 BULB / HEADLIGHT for 7-162-02.....133, 271,  
 275  
 BULB,FLASHING BEACON.....121, 133, 145,  
 147, 289, 291  
 BULKHEAD RUN TEE,10.....249  
 BUMPER, 1.00 X .375 X 5/16.....71, 123, 149  
 BUMPER, RUBBER, 1"OD X .461H.....79, 123,  
 129, 131, 133, 149, 157, 165  
 BUMPER,BATTERY BOX & RAILS...129, 131,  
 161, 163, 167  
 BUMPER,RUBBER,.75 X .50H,STUD.....73  
 BUSH,1.249 1.503 1.500L 660BRZ.....217  
 BUSHING.....45, 61, 109  
 BUSHING,RUBBER,1"ODX.510"IDX1".....206  
 BUSHING,WINDOW FASTENER.....129, 131,  
 157, 159, 163, 165, 167, 169
- C**
- CAB LIGHT.....133, 271, 275  
 CABLE TIE MOUNT, WINGED....199, 205-206  
 CABLE TIE,4" RED.....141
- CAP.....133  
 CAP,520112-4.....283  
 CAP,520112-8.....283  
 CAP,DIAGNOSTIC NIPPLE.....253-254, 257  
 CAP,DUST,DIAGNOSTIC NIPPLE\*\*\*.....259  
 CAP,LDPE,1.50"ODX10-14 GA WALL.....75  
 CAP,OIL FILLER,JD-4045.....175  
 CAP,RADIATOR,DEUTZ TCD3.6.....197, 203  
 CAP,RADIATOR,GTH137CAP.....181-182, 189  
 CAP,REAR BEARING.....109  
 CAP,VALVE COVER,OIL FILLER,PRK.....181-  
 182  
 CAP,WINDOW BUSHING.....129, 131, 157,  
 159, 163, 165, 167, 169  
 CAPSCREW.....69, 117  
 CAPSCREW,M5X10,T20000 TRANS.....115  
 CAPSCREW,T20000 TRANS.....113  
 CARD,LOAD RNG,GTH1056,CAT,SD.....21, 33  
 CARD,LOAD RNG,GTH1056,CAT,SU.....21, 33  
 CARD,LOAD RNG,GTH1056,SD.....21, 33  
 CARD,LOAD RNG,GTH1056,SD,RB.....21, 33  
 CARD,LOAD RNG,GTH1056,SD,ROT.....21, 33  
 CARD,LOAD RNG,GTH1056,SD,SWG.....21,  
 33  
 CARD,LOAD RNG,GTH1056,SD,TB.....21, 33  
 CARD,LOAD RNG,GTH1056,SU.....21, 33  
 CARD,LOAD RNG,GTH1056,SU,RB.....21, 33  
 CARD,LOAD RNG,GTH1056,SU,ROT.....21, 33  
 CARD,LOAD RNG,GTH1056,SU,SWG.....21,  
 33  
 CARD,LOAD RNG,GTH1056,SU,TB.....21, 33  
 CARTRIDGE,CB,SW.CARRIAGE CYL.....215  
 CASING,10XX,AS.....285  
 CASTING,DOC MTG,TCD3.6,10K.....205-206  
 CASTING,DPF,1204E-E44TA.....191  
 CENTER BEZEL.....123, 149  
 CHAIN ANCHOR, BOLT ON.....233  
 CHAIN ANCHOR,1"PIN,866.....231  
 CHAIN ANCHOR,BOLT ON.....235  
 CHAIN ANCHOR,PINNED,BL-666.....229  
 CHAIN ANCHOR,STEPPED,866.....231  
 CHAIN ANCHOR,THREADED,BL866.....235  
 CHAIN SHEAVE ASSY,866,POLYLUBE.....233  
 CHAIN SHEAVE ASSY,POLYGON.....231  
 CHAIN,BL666 EXTEND,GTH-1056.....229  
 CHAIN,BL666 RETRACT,GTH-1056.....229  
 CHAIN,BL866 EXTEND,GTH-1056.....235  
 CHAIN,BL866 RETRACT,GTH-1056.....235  
 CHECK VALVE, HYD, -6 MALE-MALE,  
 5PSI.....283  
 CIRCLIP.....41, 45, 57, 61  
 CIRCUIT BREAKER BOOT.....73, 125  
 CIRCUIT BREAKER, 15A.....181-182  
 CIRCUIT BREAKER, 25A.....181-182  
 CIRCUIT BREAKER, 30A.....181-182  
 CIRCUIT BREAKER, 30AMP.....73  
 CIRCUIT BREAKER, 50A.....181-182  
 CIRCUIT BREAKER, 50AMP.....73  
 CIRCUIT BREAKER, 60AMP.....73  
 CIRCUIT BREAKER,40AMP.....125  
 CLAMP CVR PLATE,SINGLE,GRP 2.....235  
 CLAMP CVR PLATE,SINGLE,GRP 3.....235  
 CLAMP HALF SET,SINGLE,3/4" TUBE.....235  
 CLAMP HALF SET,SINGLE,5/8" TUBE.....235  
 CLAMP HALF SET,TWIN,1/2" TUBE.....235  
 CLAMP HALVES,TWIN,3/8" PIPE.....71  
 Clamp, 2 inches.....179  
 CLAMP, 50MM V.....205-206  
 CLAMP, WORM DRIVE, 3IN.....277, 279
- CLAMP,0.31,#5 X 1/4,RUB CUSH.....271  
 CLAMP,0.44,#7X1/4,RUB CUSH.....271  
 CLAMP,2.38,#38 X 3/8 RUB CUSH.....81  
 CLAMP,ACCUSEAL,2.5 IN.....187  
 CLAMP,DPF,1204E-E44TA.....191  
 CLAMP,EXHAUST,2.5".....205-206  
 CLAMP,HOSE.....137  
 CLAMP,HOSE,.63" - 1.0" X .5".....173, 281, 287  
 CLAMP,HOSE,.75 \*\*.....182, 189  
 CLAMP,HOSE,2.00\*\*\*.....181-182  
 CLAMP,HOSE,3.00".....181-182  
 CLAMP,HOSE,3.50.....189, 201, 209  
 CLAMP,HOSE,5.00.....189  
 CLAMP,HOSE,CT,SAE 262,1-3/4" T.....197, 203  
 CLAMP,HOSE,JD-4045.....179  
 CLAMP,MUFFLER, 2.50 INCH.....199, 205-206  
 CLAMP,MUFFLER,3".....179, 199  
 CLAMP,OUTLET,DOC,DTZ TCD 3.6.....205-  
 206  
 CLAMP,TURBO-EXHAUST PIPE.....179  
 CLAMPING STRAP, TCD3.6 ALT.....201, 209  
 CLEVIS PLATE.....227  
 CLIP,CLOSED.....85  
 CLIP,DANA213,BRAKE ADJ.....43  
 COIL CASING (117649).....137  
 COIL COVER (117649).....137  
 COIL COVER, TOP (117649).....137  
 COIL,12V D03 ZENER DIODE.....259, 263  
 COIL,12VDC #10DTSCH IP69 ECOIL.....259,  
 261  
 COIL,12VDC #8 DTSCH IP69 ECOIL.....253-  
 254, 257, 259, 277, 279  
 COIL,COVER,10XX,AC.....285  
 COLLAR,FORK TINE PIN.....211, 213, 215,  
 217, 219  
 COLUMN, STEERING, 225MM.....125, 151  
 COMPRESSOR, AC, GTH10XX.....277, 279  
 CONN PLUG 4 WAY ENDCAP DT.....141  
 CONN, 520120-6.....239, 241, 243, 245, 247,  
 283  
 CONN,520120-16.....243, 245  
 CONN,520120-4\*\*\*.....239, 241, 243, 245, 247,  
 251, 283  
 CONN,520120-4-6\*\*\*.....243, 245  
 CONN,520120-6-8.....239  
 CONN,520120-8\*\*\*.....241, 243, 249, 251, 283  
 CONN,520120-8-10.....241, 251, 283  
 CONN,BULKHEAD,520601-10.....235, 249  
 CONN,BULKHEAD,520601-12.....235, 249  
 CONN,PLUG 2 WAY,14-18GA.....235  
 CONN,RECEP 12 WAY,GRY,4 BUSS.....125  
 CONN,RECEP 12WAY,BLK,2BUSS.....125  
 CONN,RECEP 2 WAY BLK,1 DIODE.....125  
 CONN,RECEP 2 WAY ENDCAP DT.....133  
 CONN,RECEP 4 WAY BLK,3 DIODE.....125  
 CONN,UPPER CAC PIPE,3 ID X 4LG.....187  
 CONNECTOR,HOSE,Y.....133, 137, 173, 281,  
 287  
 CONNECTOR,RUBBER,AIR INTAKE.....179  
 CONTACT BRUSH SET(HORN).....125, 151  
 CONTROL KNOB (123288).....135  
 CONTROL PANEL, HEAT-AC.....281  
 CONTROL PLATE (123288).....135  
 CONTROL(117625).....143  
 CONTROLLER,ENG,GTH10XX,125HP.....175  
 CONTROLLER,HYD ERGO W/O SW.....123,  
 139, 141, 153  
 CONTROLLER,HYD ERGO W/SW.....123, 139

## Part Description Index (continued)

- CONTROLLER, HYD ERGO, 2  
SWITCHES.....141, 153, 289
- CONTROLLER, HYD SPHERICAL  
KNOB.....123, 141, 143, 153
- COOLANT TEMP SENDING UNIT.....175
- Cosmetic - Genie Logo.....17, 29
- COTTERPIN.....223, 227
- COTTERPIN, 3/32X3/4LG.....229, 231, 233, 235
- COUNTERWEIGHT, CAST, LEFT.....55
- COUNTERWEIGHT, CAST, RIGHT.....55
- COUPLER, SHAFT, HYD AC COMP.....277, 279
- COUPLING W/PORT, AIR INTAKE.....187
- COUPLING, CAC, 1.75X3.5 LONG.....197, 203
- COUPLING, DRIVE.....109
- COVER.....49
- COVER PLATE.....43, 59
- COVER, CAB AIR INTAKE.....173, 287
- COVER, SEAT BACK, SUSPENSION.....147
- COVER, SEAT BASE, SUSPENSION.....147
- COVER, 10XX, AC.....285
- COVER, CAB ACCESS, AC.....281
- COVER, CAB AIR INTAKE.....121, 135, 145, 147, 281
- COVER, CONTROL PANEL.....123, 149
- COVER, CONVERTER.....89
- COVER, PANEL ACCESS.....123, 133
- COVER, PANEL, CAB AC.....149, 173, 287
- COVER, PUMP MOUNTING, PERMANENT...95
- CRNKCASE BREATHR ELEM, 1204E.....193
- CYLINDER.....51, 65
- CYLINDER BOLT.....41, 43, 47, 49, 51, 57, 59, 65
- CYLINDER, ROTATE.....219
- CYLINDER, BOOM, 1056.....233, 235
- CYLINDER, LIFT, 1056.....77, 79
- CYLINDER, MASTER, 1056.....77, 79
- CYLINDER, REAR LOCK, 1056.....55
- CYLINDER, ROTATE\*\*\*.....217
- CYLINDER, STABILIZER.....37
- CYLINDER, SWAY.....75
- CYLINDER, SWING CARRIAGE.....215
- CYLINDER, TILT, 1056/844.....211, 213, 215, 217, 221, 223, 225
- D**
- D03 VALVE, 3 POS 4 WAY.....259
- Danger - Crush Hazard, Stabilizers.....13, 15, 17, 23
- Danger - Fall Hazard, No Riders.....13, 21, 229
- DASH COVER.....149
- DECAL BODYCRUSH ROLLING  
MACHINE.....27, 29
- DECAL DANGER BATTERY SAFETY.....23
- DECAL DIAGNOSTIC LED FUNCTIONS.....23
- DECAL KIT, SYM, 1056, COMPLETE.....25, 27
- DECAL KIT, WORDS, 1056, COMPLETE.....13, 15
- DECAL WARNING EXPLOSION/BURN  
HAZARD.....23
- DECAL, 2 DECAL COMBO.....15, 23, 27, 35
- DECAL, 6 DECAL COMBO.....23
- DECAL, A-G, GTH1056, WHITE.....13, 15, 23, 25, 27
- DECAL, FALL HAZARD.....15, 23, 27
- DECAL, LABEL, FOPS/ROPS.....23
- DECAL, SYMBOL - READ THE MANUAL.....33
- DECAL, 48" FORKS ONLY, SWING.....21, 23
- DECAL, ATTACHMENT SERIAL LABEL.....21
- DECAL, AUXILIARY HYDRAULICS.....21, 33
- DECAL, AXLE DIFFERENTIAL LO.....21
- DECAL, BODY CRUSH, ROLLING  
MACHINE.....15, 23
- DECAL, CHEVRON RANDO HD.....17, 23
- DECAL, COSMETIC, GENIE DOMED,  
BLK/SILVER.....23, 35
- DECAL, COSMETIC, GENIE GTH-1056.....13, 15, 17, 23, 25, 27, 29
- DECAL, COSMETIC, GENIE LOGO, WHT.....23
- DECAL, CRUSH HAZ MOVING PT, SYMB...25, 33, 35
- DECAL, CRUSH HAZ, NO RIDERS SYM.....33
- DECAL, CRUSH HAZ, MOVING PTS, SYM.....25
- DECAL, CRUSH HAZ, SET BRAKE SYMB.....33
- DECAL, CRUSH, ROLLING MACHIN SYM...25, 29
- DECAL, CRUSH, TIRE ROTATE, SYMB.....25, 29
- DECAL, DANGER, BATTERY SAFETY\*\*\*.....17
- DECAL, DANGER, CRUSH HAZARD.....21
- DECAL, DANGER, ELECTRICAL HAZARD.....21
- DECAL, DANGER, EXPLOSION/BURN, DIESEL  
FUELING.....23
- DECAL, DIESEL.....17, 23, 29
- DECAL, ELECTRICAL HAZARD SYMB.....33
- DECAL, EXPLOSION HAZARD.....23
- DECAL, EXPLSION/BURN HAZ SYMB.....29
- DECAL, FALL HAZ, NO RIDERS SYMB.....25, 33
- DECAL, FALLING OBJECT HAZ, SYMB.....33
- DECAL, FALLING OBJECT HAZARD.....13, 17, 25, 29
- DECAL, GENIE LOGO, 3X9 WHITE.....23
- DECAL, GRAY VINYL, SHAPED.....13, 17, 25, 29
- DECAL, GRAY VINYL, RECT SHAPE.....17, 29
- DECAL, GTH 1056 STACKED, WHITE...17, 23, 29
- DECAL, KEY IGNITION, 8/10K.....23, 35
- DECAL, LABEL, DASH ACCESSORIES.....21, 33
- DECAL, LABEL, DUAL CONTROLLER.....21, 33
- DECAL, LABEL, FOPS/ROPS.....21, 33
- DECAL, LABEL, IGNITION.....21, 33
- DECAL, LABEL, PARKING BRAKE.....21, 33
- DECAL, NO LOAD CHART SYMB.....33
- DECAL, OPEN WINDOW INST.....23, 35
- DECAL, OVERTURNING HAZ, SWAY, SYM.....33
- DECAL, OVERTURNING HAZARD.....21
- DECAL, OVERTURNING, KEEP LOAD LO..21, 33
- DECAL, STEERING SELECTOR.....21, 23, 35, 149
- DECAL, SYMBOL-BATTERY SAFETY.....29
- DECAL, SYMBOL-COMP ACCESS.....29
- DECAL, SYMBOL-SKIN INJECT HAZRD.....25, 27, 29
- DECAL, TIRE ROTATE, CRUSH.....13, 17
- DECAL, TOP GEAR LOCKOUT, GC2, ZF.....23
- DECAL, TRANSMISSION CONTROL.....21, 23, 33, 35
- DECAL, TRUSS BOOM.....21
- DECAL, TRUSS BOOM WARNING.....21, 23
- DECAL, ULS DIESEL ONLY, TIER 4.....23
- DECAL, WARN, BURN HAZARD.....13, 15, 17, 23
- DECAL, WARN, EXPLSION/BURN HAZ.....17
- DECAL, WARN, FALLING OBJECT HAZ.....21
- DECAL, WARN, OVERTURN HAZARD.....21
- DECAL, WARN, READ MANUAL.....21
- DECAL, WARN, SKIN INJECTION HAZ\*.....13, 15, 17, 23
- DECAL, WARN, WEAR SEAT BELT.....21, 35
- DECAL, WARNING, NO LOAD CHART.....21
- DECAL, WARNING, WEAR SEAT BELT.....23
- DECAL, WARNING-COMPART ACCESS...17, 23
- DECAL, WARNING-EXPLOSION/ENGINE...17
- DECAL, WEAR SEAT BELT, SYMB.....33
- DETENT BALL.....43
- DIFFERENTIAL.....43
- DIFFERENTIAL ASSY, REAR AXLE.....59
- DIFFERENTIAL CARRIER.....43
- DIFFERENTIAL CARRIER, DANA213.....43
- DIFFERENTIAL CARRIER, REAR AXLE.....59
- DIFFERENTIAL PINION.....43, 59
- DIFFERENTIAL SHAFT, DANA213 FRT.....43, 59
- DIFFERENTIAL SIDE GEAR.....43, 59
- DIFFERENTIAL SIDE, DANA213 FRT.....43, 59
- DIFFERENTIAL, DANA213 FRT.....43
- DIFFERENTIAL, REAR AXLE.....59
- DIPSTICK.....85
- DIPSTICK, JD-4045.....177
- DIPSTICK, OIL, 1204E-E44TA.....195
- DIPSTICK, OIL, DEUTZ TCD3.6.....201, 209
- DIPSTICK, PERKINS 1004-42.....181-182
- DIRECTIONAL VALVE.....253-254, 257
- DIRECTIONAL VALVE, 2POS, 2WAY.....257
- DISC, CLUTCH, INNER.....99, 101, 105, 107
- DISC, CLUTCH, OUTER.....99, 101, 105, 107
- DISPLAY, ENGINE DIAGNOSTIC.....123
- DOME LIGHT WITH CONNECTOR.....133, 297
- DOOR ASSY, ENCL. CAB.....131
- DOWEL.....49
- DPF, 1204E-E44TA.....191
- DRIVESHAFT ASSY, TRANS TO AXLE.....69
- DRIVESHAFT, 1480 ENG 6C TRANS.....69
- DUCT ASSEMBLY (117649).....137
- DUCT ASSY, 10XX, AC.....285
- DUST EXCLUDER.....45, 61
- E**
- ECM, Deutz D2.9.....199
- ECM, DEUTZ TCD3.6 T41, 10K.....205-206
- ECM, 1204E-E44TA.....195
- EGR COOLER, DEUTZ TCD3.6.....201, 209
- ELBOW / EXHAUST.....185
- ELBOW, 3IN-2.5IN, 1204E-E44TA.....189
- ELBOW, 90 DEG W/PORT.....201, 209
- ELBOW, OIL DRAIN VALVE.....182, 189
- ELBOW, 45D, 520320-4.....241
- ELBOW, 90 DEG.....179
- ELBOW, 90D, 520220-16.....243, 245
- ELBOW, 90D, 520220-4-4.....239, 243
- ELBOW, 90D, 520220-6.....241, 243, 283
- ELBOW, 90D, 520220-8-10.....243
- ELBOW, BULKHEAD UNION 520701-8.....235, 249, 251
- ELBOW, EXHAUST, 1204E-E44TA.....191
- ELBOW, SILICONE.....179
- ELBOW, SWIVEL 90D, 520221-6.....283
- ELBOW, SWIVEL 90D, 520221-8.....283

ELEMENT, FUEL PRE FILTER, PERKINS 1056.....181-182	FITTING,CONN,520120-10.....249	FORMING,BOOM ANGLE SENSOR MNT.....55
ELEMENT,HYDRAULIC FILTER.....71	FITTING,CONN,520120-12***.....243, 249	FORMING,BREAKER PANEL.....71, 73
EMBLEM,GENIE,12 IN.....77	FITTING,ELBOW,90D,520220-6-8.....239, 243, 245, 247	FORMING,CAB MIRROR.....147
END BEZEL.....123, 149	FITTING,ELBOW,90D,520220-8***.....249	FORMING,CAB STEP.....121, 145, 147
END CAP, AIR CLEANER 123806.....179, 187, 201, 209	FITTING,FUEL,#8 ORB TO 1/2 HB.....71	FORMING,CABLE BRIDGE MOUNT.....237
END PLATE.....99, 101, 105, 107	FITTING,SIGHT GLASS,#24,O.R.....71	FORMING,CABLE TRACK MOUNT.....237
ENG MOUNT,REAR LT SIDE,JD-4045.....175	FITTING,TEE,RUN,SWIVEL520432-4.....245, 283	FORMING,DEFROSTER MOUNT.....135
ENG,ASSY,PER,1104D-E44TA.T3,10.....181-182	FITTING,TEE,RUN,SWIVEL520432-8.....283	FORMING,DOME LIGHT,MOUNT.....133
ENG.MOUNT,REAR RT SIDE,JD-4045.....177	FITTING,UNION,SW,-6,FEM-FEM.....283	FORMING,DPF BRKT,1204E-E44TA.....191
ENGINE DOOR ASSEMBLY,LEFT.....55	FLANGE.....43, 59	FORMING,EXHAUST BRACKET.....179, 187
ENGINE DOOR ASSEMBLY,RIGHT.....55	FLANGE,6C.....69, 109, 119	FORMING,EXTEND CHAIN GUIDE.....235
ENGINE HARNESS,1204E-E44TA.....195, 293	FLEX-HOSE,EXHAUST,1204E-E44TA.....191	FORMING,EXTINGUISHER MOUNT.....147
ENGINE SKID, DEUTZ TCD 3.6.....199, 205-206	FLGHC,1/2-13X15,GR5,ZN,LOC.....229, 231, 233	FORMING,FILTER BRACKET.....135, 281
ENGINE WELDMENT SKID,JD-4045.....177	FLGHCS,1/2-13X.75,GR5,BLK PH.....231, 233	<b>F O R M I N G , F I L T E R</b>
EVAPORATOR COIL,10XX,AC.....285, 287	FLGHCS,1/2-13X1.75,GR5,ZN,LOC.....233, 235	MOUNT,DEUTZ,10K.....199, 205-206
EXHAUST CLAMP,SADDLE STYLE,2.5.....187	FLGHCS,3/8-16X1.25,GR5,ZN,LOC.....125, 231, 233, 235	FORMING,FRONT WINDOW MOUNT.....129
EXHAUST MIXER,1204E-E44TA.....193	FLOORMAT, CAB.....147	FORMING,GLASS RETAINER.....129, 161
Exhaust Pipe, Muffler.....179	FLOW REGULATOR VALVE.....253-254, 257, 263	FORMING,HEATER MOUNT.....137, 281
EXPANSION PLUG.....115	FLYWHEEL HOUSING,1204E-E44TA.....193	FORMING,JD RAD SUPPL COND BRKT.....175, 279
	FLYWHEEL PLATE, DEUTZ.....69	FORMING,JOYSTICK MOUNT.....127
	FLYWHEEL SPACER RING, DEUTZ.....69	FORMING,JOYSTICK MOUNT, TOP.....123, 127, 149, 153
	FLYWHEEL, SAE 8/10.....199, 205-206	FORMING,LIGHT BAR.....271
	FLYWHEEL,1204E-E44TA.....193	FORMING,REC-DRIER BRKT.....277, 279
	FLYWHEEL,WITH RING GEAR.....185	FORMING,RH AC COND MTG,JD.....175
	FLYWHL HOUSING, DTZ TCD3.6, 10K.....199, 205-206	FORMING,SCREEN MOUNT,BOTTOM.....123, 149
	FOAM, 1/2 X 140MM (117649).....137, 287	FORMING,SCREEN MOUNT, TOP.....123, 149
	FOAM, 1/2 X 343MM (117649).....137, 287	FORMING,SEAT RISER.....121, 145
	FOAM, 5/8 X 150MM (117649).....137, 287	FORMING,SEATBELT BRACKET.....121
	FOAM, 6.35 X 47.6MM (117649).....137	FORMING,SLIDER MOUNT BACK.....133
	FORK/SELECTOR.....43	FORMING,SLIDER MOUNT FRONT.....133
	FORMING, AC COND MTG BRKT,JD.....279	FORMING,SLIDER MOUNT TOP.....133
	FORMING, BREAKER PANEL.....71, 73	FORMING,STAB SWITCH MOUNT.....127
	FORMING, BUSS BAR.....73	FORMING,STRUT MOUNT.....71
	FORMING, CAB SIDE MOUNT.....153	FORMING,TAIL LIGHT, MOUNT.....269
	FORMING, DASH PANEL.....149	FORMING,TAIL LIGHT,ADAPTER.....269
	FORMING, DPF HEAT SHIELD.....191	FORMING,THROTTLE PEDAL STOP.....125
	FORMING, DPF MOUNT.....191	FORMING,UPPER DOOR MOUNT.....71
	FORMING, DUAL JOYSTICK.....153	FORMING,UPPER RADIATOR SUPPORT.....197, 203
	FORMING, ENG COVER, DEUTZ-JD.....199, 205-206	FORMING,WINDOW CLAMP.....131
	FORMING, EXTINGUISHER MOUNT.....145	FORMING,WINDOW RETAINER.....129
	FORMING, FILTER BRACKET.....173, 287	FRICTION WASHER.....43, 59
	FORMING, FLOORMAT GUARD.....147	FRICTION WASHER.DANA213 FRT.....43, 59
	FORMING, GLASS RETAINER.....161, 165	FRMNG,EXST,TCD3.6,T4,10K.....206
	FORMING, HEATER MOUNT.....173, 287	FRMNG,UPPER LFT RAD,124E-E44TA.....189
	FORMING, LOWER DASH.....149	FRMNG,UPPER RGT RAD,124E-E44TA.....189
	FORMING, PCB MOUNT.....153	FUEL FILTER BRACKET,JD-4045.....177
	FORMING, REAR ENGINE COVER TIER 4.....79	FUEL FILTER HEAD,JD4045.....177
	FORMING, REAR LIGHT PLATE.....79	FUEL FILTER MTG,1204E-E44TA.....195
	FORMING, SIDE CONSOLE MOUNT.....153	FUEL FILTER,PERKINS,GTH-1056.....181-182
	FORMING, VALVE MOUNT.....173, 287	FUEL FILTER,PRIMARY,JD-4045.....177
	FORMING,AC COMP VALVE MTG.....277, 279	FUEL FITTING,3/8 STRAIGHT.....71
	FORMING,AC COND MTG LB-RT.....277	FUEL INJ PUMP,1204E-E44TA.....195
	FORMING,AC COND MTG RB-LT.....277	FUEL LIFT PUMP,1204E-E44TA.....195
	FORMING,ALTERNATOR GRD,TCD3.6.....201, 209	FUEL LINE,ECM TO FUEL FILTER...181-182, 195
	FORMING,BAFFLE MOUNT,DEUTZ TCD.....197, 203	FUEL LINE,FUEL FILTER-HP PUMP.....181-182, 195
	FORMING,BATT CABLE BRKT, JD.....71	FUEL LINE,TRANS PUMP TO ECM.....181-182, 195
	FORMING,BATT CABLE BRKT, PERKINS...71	FUEL RAIL,1204E-E44TA.....195
	FORMING,BATTERY HOLDDOWN.....71	FUSE BLOCK.....125
		FUSE,10 AMP,ATC.....125
		FUSE,15A SWITCH (62823).....125
		FUSE,25 AMP,ATC.....173, 281, 287
		FUSE,5 AMP,ATC.....125

**F**

FAN BELT, SERP., PERKINS.....181-182  
 FAN BELT, SERPENTINE,PERKINS.....181-182  
 FAN BELT,JD-4045.....175  
 FAN GUARD, 1204E-E44TA.....189  
 FAN GUARD,PERKINS,GTH10XX,T3.....181-182  
 FAN GUARD,WIRE,DEUTZ TCD3.6.....197, 203  
 FAN PULLEY, PERKINS 127HP T3.....181-182  
 FAN, PERKINS 1104D,PUSHER.....195  
 FAN, PERKINS 127HP T3.....181-182  
 FAN,DEFROSTER,GENIE CAB.....135, 155  
 FAN,JD-4045.....175  
 FAN,RADIATOR,DEUTZ TCD3.6, 10K.....201, 209  
 FAN,SPACER,PERKINS 127HP T3.....181-182  
 FENDER ASSY,SERVICE PART.....39, 55, 75  
 FENDER,FULL WHEEL,UTILITY.....75  
 FILLER CAP, FUEL, BREATHER.....71  
 FILTER BRACKET.....181-182  
 FILTER ELEMENT / PRIMARY.....179, 187, 201, 209  
 FILTER ELEMENT,FUEL,PRI,1204E.....195  
 FILTER ELEMENT,FUEL,SEC,1204E.....193  
 FILTER ELEMENT,JD-4045(115328).....177  
 FILTER HEAD,OIL,1204E-E44TA.....195  
 FILTER MNTG PLATE,JD-4045.....177  
 FILTER, CAB AIR INTAKE.....173, 287  
 FILTER, MAIN, M&H500.....189  
 FILTER, SECONDARY, M&H500.....189  
 FILTER,CAB AIR INTAKE.....135, 137, 281  
 FILTER,FUEL,PRI,1204E-E44TA.....195  
 FILTER,FUEL,SEC,1204E-E44TA.....193  
 FILTER,FUEL,SPIN-ON TCD3.6.....199, 205-206  
 FILTER,HYDRAULIC,SPIN-ON.....111  
 FILTER,OIL,1204E-E44TA.....195  
 FILTER,OIL,DEUTZ F4L1011F.....201, 209  
 FILTER,OIL,DEUTZ,REPLACEMENT.....201, 209  
 FILTER,OIL,PERKINS 1104C-44.....181-182  
 FINAL FILTER,FUEL,JOHN DEERE.....177  
 FIRE EXTINGUISHER.....125, 145, 147  
 FITTING,45 DEGREE,HOSE.....89

## Part Description Index (continued)

## G

GAGE CLUSTER,CAB.....123  
 GAS SHOCK,SCISSORS\*\*\*.....71, 151  
 GASKET.....43, 69, 85, 89, 95  
 GASKET - OIL PAN, PERKIN 1104C.....181-182  
 GASKET / OIL FILTER HEAD.....181-182  
 GASKET, DOOR WINDOW.....167  
 GASKET, OUTER HANDLE, LG.....171  
 GASKET, OUTER HANDLE, SM.....171  
 GASKET,3RD SHAFT BEARING CAP.....107  
 GASKET,BEARING CAP.....109  
 GASKET,CONVERTER HOUSING.....83  
 GASKET,COVER,WATER PUMP.....181-182  
 GASKET,DOOR WINDOW.....131  
 GASKET,EGR TUBE DEUTZ TD3.6,10.....201, 209  
 GASKET,EXHAUST MANIFOLD,PRKNS....185  
 GASKET,HINGE.....131, 167  
 GASKET,MODULATION VALVE.....113  
 GASKET,MUFFLER,PERKINS 1004-42.....185, 187  
 GASKET,OIL PAN,1204E-E44TA.....195  
 GASKET,OUTLET,DOC,DTZ,TCD 3.6.....205-206  
 GASKET,PUMP ASSY TO CONV.HSG.....111  
 GASKET,SHIFT COIL,T20000 TRANS.....113  
 GASKET,TURBO CHARGER,JD-4045.....175  
 GASKET,TURBO CHARGER,SM,JD4045..175  
 GASKET,TURBOCHARGER.....185  
 GASKET,VALVE COVER,PERKINS....181-182  
 G A S K E T , W I P E R M O T O R COVER-DECAL.....129  
 GASKET-PUMP WATE, PERK 1104C-44.....181-182  
 GAUGE CLUSTER,CAN ENABLED,CAB....149  
 GAUGE, AIR RESTRICT,90M-BAR...187, 201, 209  
 GEAR / 3rd.....107  
 GEAR,AUX.PUMP DRIVE.....95  
 GEAR,CHARGING PUMP DRIVE.....97  
 GEAR,LOW & REVERSE CLUTCH.....93, 101  
 GEAR,LOW CLUTCH.....93, 105  
 GEAR,OUTPUT SHAFT.....109  
 GEAR,PUMP DRIVE IDLER.....97  
 GEAR,REVERSE IDLER.....103  
 GLASS, SIDE, LR.....169  
 GLASS,DOOR WINDOW.....131  
 GLASS,FRONT SIDE WINDOW.....131, 165  
 GLASS,FRONT W/O WIPER, GTH.....145  
 GLASS,FRONT WINDSHIELD.....129, 157  
 GLASS,REAR WINDOW.....131, 163  
 GLASS,SIDE,LR.....129  
 GLASS,SKYLIGHT.....129  
 GLASS,SKYLIGHT W/O WIPER, GTH.....145  
 GLASS,SKYLIGHT,GTH.....159  
 GLIDE BUTTON,SIDE,GLL,,100 TK....131, 163  
 GLOW PLUG RELAY.....181-182  
 GLOW PLUGS,PERKINS 127HP T3...181-182  
 GREASE FITTING.....45, 53, 61, 67  
 GROMMET (117649).....137  
 GROMMET,RUBBER .75 X .19 X 1\*\* .....131, 163  
 GROUND STRAP,12 IN.....71, 75, 293  
 GSKT,MANIFLD,EXST,1204E-E44TA.....193  
 GUARD / FAN.....175  
 GUARD, DPF, 1204E-E44TA.....191

## H

HANDLE.....131  
 HANDLE / KIT.....131  
 HANDLE ASSY W/O BASE (227494).....141, 153  
 HANDLE, D15, HIGH (218490).....133, 161  
 HANDLE, SEAT ADJUST.....147  
 HANDLE,SPHERICAL(117265).....141, 143  
 HARNESS, BACKUP ALARM...177, 182, 195, 199, 205-206, 289, 291  
 HARNESS, BACKUP LIGHT LED.....295  
 HARNESS, BEACON LIGHT.....145, 147, 289, 291  
 HARNESS, CAB A/C.....297  
 HARNESS, CAB FAN.....297  
 HARNESS, CAB HEATER.....297  
 HARNESS, CAB LIGHT.....147, 271, 295  
 HARNESS, CAB LIGHT POWER.....295  
 HARNESS, CHASSIS, AC.....277, 279, 297  
 HARNESS, DASHBOARD.....149, 289, 291  
 HARNESS, ENCLOSED CAB.....297  
 HARNESS, HERTZ TELEMATICS.....289, 291  
 HARNESS, PCB GROUND.....153, 289, 291, 293  
 HARNESS, POWER LEAD.....293  
 HARNESS, POWER, BEACON LIGHT.....145, 147, 289, 291  
 HARNESS, POWER, DOME LIGHT.....297  
 HARNESS, PRIMARY MANIFOLD DJ.....291  
 HARNESS, PRIMARY MANIFOLD SJ.....289  
 HARNESS, ROAD LIGHT,LED.....269, 273, 295  
 HARNESS, ROAD LIGHTS.....295  
 HARNESS, ROADLIGHT, STD.....269, 273  
 HARNESS, SECONDARY MANIFOLD.....289, 291  
 HARNESS, TAILLIGHT LED.....295  
 HARNESS, THROTTLE PEDAL.....289, 291  
 HARNESS, TOP GEAR LOCKOUT.....289, 291  
 HARNESS, TRANSMISSION.....289, 291, 293  
 HARNESS, TRANSMISSION CONTROL.....289, 291  
 HARNESS, WORK LIGHTS.....295  
 HARNESS,AUX HYDRAULICS.....289, 291  
 HARNESS,BOOM ANGLE SWITCH...289, 291  
 HARNESS,BOOM EXT SW,1056.....235, 289, 291  
 HARNESS,DEFROSTER FAN.....135  
 HARNESS,ECU TO ENGINE,JD.....175  
 HARNESS,ENGINE BASE,TCD3.6...201, 209, 293  
 HARNESS,ENGINE BH TO CAB.....175  
 HARNESS,ENGINE ECM,TCD3.6,10K.....293  
 HARNESS,ENGINE ECM,TCD3.610K.....293  
 HARNESS,ENGINE WIRING,PERKINS....181-182, 293  
 HARNESS,HEATER-AC CONTROL.....281  
 HARNESS,PARK BRK PRESS SWITCH....259  
 HARNESS,ROAD LIGHT,FORWARD.....273  
 HARNESS,ROAD LIGHT,TURN SIG.....273  
 HARNESS,SERV BRK PRESS SWITCH....259  
 HARNESS,STROBE.....121, 133  
 HARNESS,THROTTLE PEDAL,WC.....125  
 HARNESS,WORK LIGHTS, BACK.....275  
 HARNESS,WORK LIGHTS,SWITCH.....273, 275  
 HARNESS,WORKLIGHTS,FORWARD.....273, 275  
 HD CABLE TRACK KIT GTH-1056.....237  
 HDPE,FRONT WINDOW SPACER.....157

HDPE,LOAD CHART HOLDER.....123  
 HEAD / OIL FILTER.....181-182  
 HEAD LIGHT.....121, 133, 145, 273, 275  
 HEAT-AC CONTROL 56-0048.....173, 287  
 HEAT-AC CONTROL,26-1538.....135  
 HEATER.....135, 137  
 HEATER COIL (117649).....137  
 HEATER COIL,10XX,AC.....285  
 HEATER HOSE (117649).....137  
 HEATER, GTH.....173, 287  
 HEATER-AC BLOWER ASSY,GTH10XX.....281  
 HEATER-AC,GTH.....173, 287  
 HEX BOLT, TCD3.6 ALT.....201, 209  
 HEX NUT, TCD3.6 ALT.....201, 209  
 HEXAGON BOLT.....43, 47, 59  
 HHCS,1/2-20X1.25,GR 8,BLK.....69  
 HINGE WELDMENT,FEMALE.....131, 167, 171  
 HINGE, WELD-ON, MALE.....129, 155  
 HINGE,11"X 2.5"X.44".....71  
 HINGE,ACCESS DOOR\*\*\*.....153  
 HINGE,BAT COV & ENG ENCLOSURE.....75  
 HOLDBACK LATCH.....129, 169  
 HOLE PLUG (117649).....137  
 HOLE PLUG, 3 IN.....121, 145, 149  
 HOLE PLUG,1 1/8 DIA.....131, 171  
 HOOK, BATTERY HOLD DOWN.....71  
 HORN.....75  
 HORN BUTTON KIT\*\*\*.....125, 151  
 HOSE / RADIATOR.....187  
 HOSE ASSY 3/8, STR FEM, 45DFEM, 68".....245  
 HOSE ASSY 3/8, STR FEM, STR FEM.....239  
 HOSE ASSY 3/8, STR FEM,STR FEM.....239, 243, 247  
 HOSE ASSY 3/8,90 FEM,STR FEM\*\*.....283  
 HOSE ASSY 3/8,STR FEM, STR FEM.....247  
 HOSE ASSY, 3/8, STR FEM, STR FEM.....219  
 HOSE ASSY,,50IDX10X08X32".....249  
 HOSE ASSY,,63IDX12X10X32".....249  
 HOSE ASSY,.38IDX06-90X06X15".....245  
 HOSE ASSY,.63IDX10-90X10X22".....249  
 HOSE ASSY,.63IDX10X10X205".....249  
 HOSE ASSY,.63IDX10X10X83".....249  
 HOSE ASSY,.75IDX1"SFX12X30".....243  
 HOSE ASSY,1",STR FEM,STR FEM.....243, 245  
 HOSE ASSY,1/2,90 FEM,STR FEM.....243, 249, 251  
 HOSE ASSY,1/2,90 FEM,STR FEM\*\*.....283  
 HOSE ASSY,1/2,STR FEM,STR FEM.....241, 249, 251  
 HOSE ASSY,1/4" STR FEM STR FEM.....247  
 HOSE ASSY,1/4"90 FEM,STR FEM.....283  
 HOSE ASSY,1/4"STR FEM STR FEM.....247  
 HOSE ASSY,1/4,STR FEM,STR FEM.....239, 241, 243, 245, 247, 251  
 HOSE ASSY,2IDX2SF90X2SF90X35.5".....243  
 HOSE ASSY,3/4,90 FEM,STR FEM.....249  
 HOSE ASSY,3/4,STR FEM,STR FEM.....249  
 HOSE ASSY,3/8.....283  
 HOSE ASSY,3/8,90 FEM,STR FEM.....247, 283  
 HOSE ASSY,3/8,STR FEM,STR FEM.....241  
 HOSE CLAMP.....179, 185, 187  
 HOSE CLAMP (117649).....137  
 HOSE CLAMP,CONST TNSN,5/8X2" .....189  
 HOSE, RADIATOR.....175, 179  
 HOSE, REFRIGERANT, #6.....283  
 HOSE, REFRIGERANT,W/CHG SPL,#8.....283  
 HOSE,1/4 FUEL LINE,SAE 30R7.....167

HOSE,COMP,TCD3.6,T4F.....197, 203  
 HOSE,FUEL, 1/2, GATES RLA.....205-206  
 HOSE,HEATER,3/4.....181-182  
 HOSE,RAD LOWER,1204E-E44TA.....189  
 HOSE,RAD UPPER,1204E-E44TA.....189  
 HOSE,RAD.INLET,DEUTZ TCD3.6.....197, 203  
 HOSE,RAD. OUTLET,DEUTZ TCD3.6.....197, 203  
 HOSE,RADIATOR,LOWER,GTH10K.....175  
 HOSE,REFRIGERANT,W/CHG SPL,#10.....283  
 HOSE-HEATER,5/8 ID-BLACK.....137, 173, 182, 189, 281, 287  
 HOUSING, COUPLER/COMPRESSOR.....277, 279  
 HOUSING,AXLE.....41, 57  
 HOUSING,FRONT AXLE.....41  
 HOUSING,REAR AXLE.....57  
 HTR,OILPAN,SILICONE,120V,250W.....185  
 HUB,2ND CLUTCH.....101

**I**

INJECTOR,PERKINS 127HP T3.....181-182  
 INSTRN, TRC RETROFIT, GTH.....289  
 INTAKE COUPLING,90 DEG RUBBER.....185, 187  
 INTERMEDIATE BRAKE DISC.....47, 49, 63  
 INTERMEDIATE COVER.....41, 47, 57  
 INTERMEDIATE COVER "DIFF SIDE".....41  
 INTERNAL GLASS HANDLE.....131, 167  
 ISOLATOR MOUNT,JD-4045.....177, 179  
 ISOLATOR, UPPER RAD, JD4045 T3.....179  
 ISOLATOR,CAB.....121, 133, 145, 147  
 ISOLATOR,MOUNTS,PERKINS 127HP.....185, 191  
 ISOLATOR,PERKINS 127HP T3.....187, 189  
 ISOLATOR,RADIATOR,PERKINS.....185, 191  
 ISOLATOR,RELAY BOARD,PERK 1104.....181-182  
 ISOLATOR,RUBBER,TRANS.....69, 199, 205-206  
 ISOLATOR,UP RADIATOR SUPPORT.....197, 203

**J**

JOINT.....45, 61  
 JOYSTICK BODY (227494).....141  
 JOYSTICK BODY (227494) 826226.....141

**K**

KEY, CAB DOOR.....131  
 KEY,SET 2 KEYS.....123, 149, 171  
 KIT, BEACON LIGHT.....121  
 KIT, CANBUS CONTROLLED CUT OUT.....69  
 KIT, EXHST, TCD3.6, T4, 10K, SVC.....205-206  
 KIT, FUEL SENDER.....71  
 KIT, FUSE PANEL/PCB COVER.....153  
 KIT, GLASS BREAK PUNCH.....129  
 KIT, GUARD, ALTERNATOR, TCD3.6.....201, 209  
 KIT, LEVER (117625).....141  
 KIT, METERING, A13 (227494).....141, 153  
 KIT, METERING, A21 (227494).....141, 153  
 KIT, O-RING, 10K DJ PRIMARY MA.....257  
 KIT, O-RING, 10K SECONDARY MAN.....259  
 KIT, O-RING, 10K SJ PRIMARY MA...253-254  
 KIT, O-RING, 10K STABILIZER MANIFOLD.....261  
 KIT, O-RING, AUXILIARY MANIFOL.....263

KIT, PLUG AND O-RING, 10K DJ P.....257  
 KIT, PLUG AND O-RING, 10K SECO.....259  
 KIT, PLUG AND O-RING, 10K SJ P.....253-254  
 KIT, SEALS (227494).....141, 153  
 KIT, TRC RETROFIT, GTH.....289  
 KIT,BRAKE CLIP,DANA213,FRNT.....43, 47  
 KIT,BRAKE LT PS-FIELD REPLACE.....273, 275  
 KIT,CONTROL.....139  
 KIT,DRIVESHAFT, ENG TO TRANS.....69  
 KIT,DRVSHFT,ISOLATED,GTH10XX.....69  
 KIT,GASKET,JD-4045.....139, 141, 143  
 KIT,GTH10X ENCLOSED CAB.....129  
 KIT,HANDLE (117623).....139  
 KIT,HANDLE (117624).....139, 141  
 KIT,LEVER.....139, 141  
 KIT,METERING CURVE.....139, 141, 143  
 KIT,PINTLE HOOK HITCH,GTH.....79  
 KIT,SWITCH WITH KEYS.....123, 149  
 KNOB, LOCKING.....133, 161

**L**

Label - Burn Hazard.....25, 27, 29  
 Label - Crush Hazard, Stabilizers.....25, 27, 29  
 Label - Dual Controller.....23, 35  
 Label - Product Registration.....15, 23  
 Label - Single Controller.....21, 23, 35  
 LANYARD ASSY,RETAINING WASHER.....123  
 LATCH, HANDLE, OUTER.....171  
 LATCH, INNER BAR.....171  
 LATCH, LRG PADDLE HANDLE GS90.....71  
 LATCH,COMPRESSION,SMALL.....153  
 LATCH,COMPRESSION,THIN GRIP.....55  
 LATCH,COMPRESSION,WIDE GRIP.....75  
 LEFT ENGINE MOUNT, DEUTZ TCD3.6.....199, 205-206  
 LENS,FLASHING BEACON.....121, 133, 145, 147, 289, 291  
 LEV-O-GAGE INDICATOR.....135, 149, 153  
 LEVER ROD (117625).....141, 143  
 LIFT PUMP,FUEL,DEUTZ.....199, 205-206  
 LIGHT LED WHITE BACKUP 12V.....271, 275  
 LIGHT, LED RED BRAKE TAIL TURN.....271, 273, 275  
 LIGHT, LED WHITE 12V.....271, 273  
 LIGHT,BACK-UP,CLEAR.....269, 275  
 LIGHT,BRAKE,TAIL,TURN.....269, 273, 275  
 LIGHT,DOVE,GTH.....133  
 LIGHT,HEADLIGHT.....269, 273  
 LIGHT,PEDESTAL BLINKER AMBER.....269, 271, 273  
 Load Chart, GTH-1056, 1-2.....23, 35, 149  
 Load Chart, GTH-1056, 2-3.....23, 35, 149  
 Load Chart, GTH-1056, 3-4.....23, 35, 149  
 Load Chart, GTH-1056, 4-5.....23, 35, 149  
 Load Chart, GTH-1056, 5-6.....23, 35, 149  
 Load Chart, GTH-1056, 6-7.....23, 35, 149  
 Load Chart, GTH-1056, 7-8.....23, 35, 149  
 LOAD CHART,GTH-1056,8-9.....35  
 LOCK PIN.....213, 215, 219, 221, 223  
 LOCK, PLUG 2WAY, 14-18GA.....235  
 LOCK,INLET,DOC,DTZ TCD 3.6.....205-206  
 LOCK,OUTLET,DOC,DTZ TCD 3.6.....205-206  
 LOCK,PLUG 4 WAY,14-18GA.....141  
 LOCKBALL,IDLER SHAFT.....103  
 LOCKING PLATE.....43, 45, 59, 61  
 LOCKWASHER.....47, 49, 69, 83, 109  
 LOCKWASHER,PUMP COVER SCREW.....95

LOCKWASHER,TUBE CLIP SCREW...83, 85, 105, 111  
 LOOM,SPLIT,1" DIA X 10' LONG.....277, 279  
 LOW OIL PRESSURE SWITCH, PERK.....181-182  
 LOWER CAC HOSE CLAMP.....187  
 LOWER CAC PIPE CONNECTOR.....187  
 LOWER RAD ISOLATORS, DEUTZ TCD3.6.....199, 205-206  
 LOWER RADIATOR HOSE.....187

**M**

MAGNETIC PLUG.....41, 57, 61  
 MANIFOLD COVER ASSY,GTH10XX.....75  
 MANIFOLD, HYD.....277, 279  
 MANIFOLD,AUXILIARY.....263  
 MANIFOLD,BRAKE PRESSURE.....265  
 MANIFOLD,DJ MAIN FUNCTION.....81, 257  
 MANIFOLD,EXHAUST,1204E-E44TA.....193  
 MANIFOLD,EXHAUST,DEUTZ TCD3.6.....201, 209  
 MANIFOLD,EXHAUST,PERKINS.....185  
 MANIFOLD,HYD, FLOW CONTROL...277, 279  
 MANIFOLD,INTAKE,DEUTZ TCD3.6.....201, 209  
 MANIFOLD,SECONDARY FUNCTION.....81, 259  
 MANIFOLD,SJ MAIN FUNCTION.....81, 253-254  
 MANIFOLD,STABILIZER.....261  
 MANUAL BOX W/DECALS\*\*\*.....121, 145, 147  
 MEMBER,TRUSS BOOM.....223, 227  
 MICROSWITCH (117623).....139  
 MIRROR ARM, CAB, GTH.....147  
 MIRROR, CAB, GTH.....147  
 MIRROR, INTERIOR.....135, 147  
 MIRROR,8 1/2,CONVEX.....75  
 MOD VALVE ASSY,T20000 TRANS.....113  
 M O D U L E , E N G I N E CONTROL,PERKINS.....181-182  
 MOTOR,HYD,AC COMPRESSOR.....277, 279  
 MOTORIZED VALVE ASSY (117649).....137, 285  
 MOUNT,ALTERNATOR,1204E-E44TA.....195  
 MOUNT,LATCH.....131, 171  
 MOUNT,MUFFLER,DEUTZ TCD3.6 T3.....199  
 MOUNT,RUBBER,CENTER,BONDED.....177  
 MOUNTING BAND, SMALL BASE.....179, 187, 201, 209  
 MOUNTING BRACKET (117649).....135, 281  
 MOUNTING BRACKET,1,10XX,AC.....285  
 MOUNTING BRACKET,2,10XX,AC.....285  
 MOUNTING PLATE (117649).....137  
 MTG BAND, SMALL BASE, M&H500.....189  
 MTG,L,FLYWHEEL HSN,10K,TCD3.6....199, 205-206  
 M T G , R I G H T , F L Y W H E E L HSN,10K,TCD3.6.....199, 205-206  
 MUFFLER BRACKET,PERKINS.....187  
 MUFFLER CLAMP,JD-4045.....179  
 MUFFLER MNTG BAND,JD-4045.....179  
 MUFFLER,DEUTZ TCD3.6 T3.....199  
 MUFFLER,JD-4045.....179  
 MUFFLER,PERKINS,GTH.....187

**N**

NIPPLE,DIAGNOSTIC,#4.....253-254, 257, 259  
 Notice - Axle Differential Lock.....23

## Part Description Index (continued)

NOX REDUCTION,1204E-E44TA.....193	O-RING FLANGE.....243	PIN,3.00DIA X 2.50LG,1HOLE.....37
NOZZLE,WINDSHIELD WASHER.....129	O-RING, INPUT FLANGE.....69	PIN,3.00DIA X 9.00LG,1HOLE.....55, 77, 79
NUT.....43, 45, 47, 49, 59, 61, 269	O-RING,#6.....283	PIN,ACCUMULATOR STOP.....117
NUT HEX M5-0.8 CLASS 8 ZINC.....123, 149	O-RING,#8.....283	PIN,BEARING SUPPORT.....95, 97
NUT, LP NYLOCK, 3/8-16...71, 145, 147, 151, 155, 233	O-RING,12.1 X 1.60 MM,VITON.....115	PIN,CHAIN ANCHOR,,313X2.625.....229, 233
NUT, NYLOCK, 1/2.....185	O-RING,14.1 X 1.60 MM,VITON.....115	PIN,CHAIN ANCHOR,,375X2.96.....231, 235
NUT, NYLOCK, 5/16.....185	O-RING,15.1 X 1.60 MM,VITON.....115	PIN,CLEVIS,0.75 X 3.25".....233
NUT,BEARING CAP STUD.....105	O-RING,21.5 X 1.5 MM,VITON.....115	PIN,FORK,48" FORK FRAME.....211, 213, 217
NUT,BEARING RETAINER.....103	O-RING, IDLER SHAFT.....103	PIN,FORK,48" FORK FRAME.....219
NUT,FAN BLADE,PERKINS 1004-42.....181-182	O-RING,INPUT FLANGE.....109	PIN,FORK,60" FORK FRAME.....211, 213
NUT,FLANGE.....109	O-RING,INPUT SHAFT.....69, 91	PIN,FORK,60" FORK FRAME.....219
NUT,FLG-LRG,3/8-16,YZ.....179, 199, 205-206	O-RING,PLUG.....83, 85, 117	PIN,FORK,72" FORK FRAME.....211, 213, 215
NUT,HEX,1/2-13 GRD 8.....185	O-RING,REAR BEARING CAP.....105	PIN,QUICK ATTACH LOCKING.....217
NUT,HEX,10-32.....271	O-RING,SPEED SENSOR.....83, 85	PIN,ROTATE CYLINDER.....217
NUT,HEX,3/8-16.....199, 205-206	O-RING,SUCTION TUBE ASSEMBLY.....85	PIN,TRUSS BOOM.....227
NUT,HEX,M8 X 1.25.....205-206, 271	O-RING,TUBE.....85	PIN,TRUSS BOOM,ADJUSTING.....223, 227
NUT,LOCKING-LG.FLANGE,1/4-20.....147, 149, 153, 191, 199	OIL COOLER.....175, 181-182	PINION.....47
NUT,LP NYLOCK,1/4-20.....135, 147, 151, 153	OIL DRAIN GASKET, LOWER.....185	PIPE PLUG.....83
NUT,M12-1.00.....131, 155	OIL DRAIN GASKET, UPPER.....185	Pipe, Lower.....179
NUT,NYLOCK,1-14.....233, 235	OIL DRAIN PIPE.....185	Pipe, Upper.....179
NUT,NYLOCK,1-8,GR8.....39, 55, 121, 133, 145, 147	OIL FEED PIPE.....185	PIPE,AIR INT-2 1/2",PERKINS.....187
NUT,NYLOCK,1/2-13.....37, 55, 77, 79, 145, 147, 213, 221, 223	OIL FILLER,1204E-E44TA.....195	PIPE,AIR INTAKE,JD.....179
NUT,NYLOCK,1/2-13,GR8...69, 71, 121, 211, 213, 215, 217, 219, 221, 223, 225, 235	OIL FILTER/ENGINE.....177	PIPE,AIR INTAKE,PERKINS,3"-90.....187
NUT,NYLOCK,1/4-20.....71, 77, 125, 127, 131, 133, 135, 145, 147, 153, 167, 171, 173, 177, 182, 195, 201, 209, 237, 269, 271, 277, 279, 287	OIL LINE,TURBO CHARGER,JD-4045.....175	PIPE,CAC INLET,DEUTZ TCD3.6.....197, 203
NUT,NYLOCK,10-24.....121, 123, 133, 135, 145, 147, 149, 173, 281, 287	OIL PAN,1204E-E44TA.....195	PIPE,CAC INTAKE,1204E-E44TA.....189
NUT,NYLOCK,10-32.....135, 235, 271, 277, 279	OIL PAN,DEUTZ TCD3.6.....197, 203	PIPE,CAC OUTLET,DEUTZ TCD3.6.....197, 203
NUT,NYLOCK,3/4-10,GRD.2.....191	OIL PUMP.....181-182	PIPE,CAC-INTAKE,PERKINS,10XX.....187
NUT,NYLOCK,3/4-10,GRD.8...37, 39, 55, 185, 219, 269, 271	OIL SEAL.....87	PIPE,DOC EXHAUST ELBOW.....197, 203
NUT,NYLOCK,3/4-16.....227	OIL. REFRIGERATION,10OZ BOTTLE.....277, 279	PIPE,DOC OUTLET ELBOW.....205-206
NUT,NYLOCK,3/8-16.....37, 75, 121, 123, 125, 127, 129, 131, 145, 149, 153, 155, 173, 177, 211, 213, 215, 217, 219, 221, 223, 225, 231, 233, 237, 287	OPT.SUSPENSION SEAT.....145	PIPE,EGR TUBE DEUTZ TD3.6,10K.....201, 209
NUT,NYLOCK,5/16-18.....121, 123, 145, 147, 149, 175, 179, 187, 189, 197, 201, 203, 209, 215, 277	OPTION,BATTERY BLANKET,1056.....71	PIPE,EXHAUST ELBOW,PERKINS.....187
NUT,NYLOCK,5/16-18,GR8.....233	ORIFICE, 0.051 INCH.....259	PIPE,EXHAUST FLANGE,PERKINS.....185, 187
NUT,NYLOCK,5/8-11.....69, 179, 199, 205-206	ORIFICE, 0.059 INCH.....259	PIPE,EXHAUST,1204E-E44TA.....191
NUT,NYLOCK,5/8-11, GR. 8.....177	ORING #10.....283	PIPE,EXHAUST,ADP,1204E-E44TA.....191
NUT,NYLOCK,8-32.....73	OUTLET, DOC, DEUTZ TCD 3.6.....205-206	PIPE,EXHAUST,GTH10XX.....179
NUT,NYLOCK,M6X1.00.....129, 131, 157, 159, 163, 165, 167, 169	OUTPUT FLANGE.....109	PIPE,EXHAUST,MID,TCD3.6 T3,10K.....199
NUT,NYLOCK,M8X1.25.....131, 167, 171	OVERLAY (123288).....135	PIPE,EXST,TIP,1204E-E44TA.....191
NUT,REAR BEARING CAP STUD.....89, 107	OXIDATION CATALYST,DEUTZ.....205-206	PIPE,INTAKE,1204E-E44TA.....189
NUT,SLOTTED HEX,2UNC-12THD,GR8.....217		PIPE,TAILOUTLET.....179, 199, 205-206
NUT,STUD.....109		PIPE,TAILOUTLET,PERKINS.....187
NUT,TIE ROD,10XX.....51, 65		PIPE,TURBO INLET,1204E-E44TA.....189
NUT,TL FLG,1/4-20,G,ZAG.....199, 205-206		PIPE,TURBO INLET,TCD3.6,10K.....201, 209
NUT,TL FLG,3/8-16,G,ZAG.....81		PIPE,TURBO TO MUFFLER,TCD3.6 T.....199
NUT,TRANSMISSION,GTH10XX.....69, 109, 119		PIPE,TURBO-CAC,1204E-E44TA.....189
NUT-COIL SHORT.....253-254, 257, 259, 261, 277, 279		PIPE,TURBO-CAC,PERKINS,10XX.....187
NUT-THIN HEAVY HEX, 1/4-20.....73		PIPES, EXHAUST MAN., TCD3.6 8K.....201, 209
		PISTON.....43, 47, 49, 63
		PISTON RING.....101
		PISTON RING,FORWARD SHAFT.....99
		PIVOT PIN.....45, 61
		PLANET GEAR.....45, 61
		PLANET GEAR CARRIER ASSY.....45, 61
		PLASTIC DASH COVER.....123
		PLASTIC SIDE.....127, 149
		PLASTITE SCREW 4 X 6.....137
		PLATE WINDSHIELD RETAINER.....157
		PLATE, FUSE DOOR.....153
		PLATE, GROUND BUSS.....153
		PLATE, RETAINER.....219
		PLATE, SEAT MOUNT.....145
		PLATE, TOP.....71, 235
		PLATE, TRANS.DIPSTICK COVER.....75
		PLATE,BREAKER MTG.....181-182
		PLATE,CHAIN ANCHOR MOUNT.....229, 231
		PLATE,CHAIN PIVOT.....233

## P

PAD, ARMREST.....147, 153
PAD,REST,1"THICK,FLANGED.....259
PANEL PLUG.....123, 127, 149, 153
PCBA, POWER DISTR, ASSY, 1056.....153
PCBA, POWER DISTRIBUTION, ASSY.....153
PILOT BOLT.....63
PILOT PISTON.....253-254, 257
PIN.....83, 85
PIN / ROLL.....47
PIN, 2.00 OD X 6.75 LG, 1 RING.....219
PIN,1.00DIA X 4.51LG,2RING.....229, 231
PIN,1.25DIA X 3.15LG, 1 HOLE.....219
PIN,1.50DIA X 3.38LG,2RING.....215
PIN,1.50DIA X 5.25LG,1HOLE..55, 77, 79, 231, 233, 235
PIN,1.50DIA X 6.38LG,1HOLE.....215
PIN,1.50DIA X 7.25LG,1HOLE.....233
PIN,1.50DIA X 8.75LG,1HOLE.....231
PIN,2 RING GROOVE.....233
PIN,2.00DIA X 5.75LG,1HOLE/1RING.....215
PIN,2.00DIA X 13.00LG,1HOLE.....37
PIN,2.00DIA X 13.88LG,1HOLE.....37, 211, 213, 217, 223, 225
PIN,2.00DIA X 16.00LG,1HOLE.....215, 221
PIN,2.00DIA X 4.00LG,1 HOLE.....55, 75
PIN,2.50DIA X 15.38LG,1HOLE..211, 213, 215, 217, 219, 221, 223, 225
PIN,2.50DIA X 5.94LG,1HOLE.....55, 77, 79



- PLATE,CYL MOUNT.....39, 55  
 PLATE,CYLINDER SUPPORT.....235  
 PLATE,DASHBOARD.....123  
 PLATE,DOOR PST SPCR CLOSEOUT.....155  
 PLATE,ENGINE COVER,JD.....55  
 PLATE,EXT LS COVER.....235  
 PLATE,FRONT AXLE COVER.....75  
 PLATE,FRONT BOOM COVER,1056.....229  
 PLATE,GENIE EMBLEM MOUNT.....77  
 PLATE,HOSE CLAMP,TAPPED.....237  
 PLATE,HOSE GUIDE.....235  
 PLATE,HOSE SEPARATOR.....233  
 PLATE,HYD ACCESS DOOR.....75  
 PLATE,LOADCHART FRAME.....123  
 PLATE,MOUNTING,TENSIONER ARM....181-182  
 PLATE,OIL FILL,1204E-E44TA.....195  
 PLATE,PERKINS FLYWHEEL COVER.....193, 199, 205-206  
 PLATE,QA LOCK SPRING LEVER....213, 215, 217, 219, 221, 223  
 PLATE,RAD BAFFLE,TOP,TCD3.6.....197, 203  
 PLATE,RAD SUPPORT, 1204E-E44TA.....189  
 PLATE,RAD. BAFFLE,TCD3.6.....197, 203  
 PLATE,REAR CUT OUT COVER.....77, 79  
 PLATE,SEAT MOUNT.....121, 147  
 PLATE,STAB/AXLE CONNECTOR.....39  
 PLATE,STABILIZER SPACER.....39  
 PLATE,TANK SIDE ACCESS COVER.....71  
 PLATE,TANK TOP COVER.....71  
 PLATE,TRANS ISOLATOR MOUNT.....69  
 PLATE,UPPER RADIATOR SUPPORT.....197, 203  
 PLATE,WINDOW LEVER.....131, 163  
 PLATE,WINDOW RETAINER.....131, 163  
 PLATE,WP SPACER,TAPPED.....231, 233  
 PLUG.....41, 45, 47, 49, 53, 57, 61, 63, 67, 85, 117  
 PLUG W/SEAL.....41, 49  
 PLUG, 213/143 REAR AXLE.....57, 61  
 PLUG,ENGINE OIL,PERKIN 1004-42.....181-182  
 PLUG,LUBE PORT.....83, 85  
 PLUG,MAGNETIC DRAIN.....85  
 PLUG,NYLON 2.093 BLACK DOMED.....123, 125, 127  
 PLUG,OIL DRAIN,1204E-E44TA.....195  
 PLUG,PIPE.....83, 115  
 PLUG,SPEED SENSOR PORT.....83, 85  
 PLUG,STOP.....117  
 PLUMB ASSY, ROTATE.....219  
 PORT POWER 12V, 10A.....149  
 POST,HOLDBACK LATCH.....131, 167  
 POST,STRIKER.....131, 155  
 POTENTIOMETER ASSY (123288).....135  
 PRE-FILTER,FUEL,DEUTZ TCD3.6.....199, 205-206  
 PRESS REDUCING VALVE 2500 PSI.....259  
 PRESS REDUCING VALVE 400 PSI.....259  
 PRESSURE REDUCING VALVE 50 PSI.....259  
 PROXIMITY SWITCH,15MM RANGE.....55  
 PROXIMITY SWITCH,40MM RANGE.....235
- P U L L E Y**  
 ASSEMBLY,ALTERNATOR,TCD.....201, 209  
 PULLEY ASSEMBLY,RADIATOR FAN,T.....201, 209  
 PULLEY,ASSY,RAD,1204E-E44TA.....195  
 PULLEY,BELT TENSIONER,D2.9L4.....197, 203  
 PULLEY,CRANKSHAFT,1204E-E44TA.....195  
 P U L L E Y , C R A N K S H A F T , D E U T Z TCD3.6.....201, 209  
 PULLEY,FAN BELT,JD-4045.....175  
 PULLEY,IDLER,1204E-E44TA.....195  
 PULLEY,TENSIONING,RAD.FAN,TC3.6L.201, 209  
 PUMP,12V WASHER.....135  
 PUMP,CHARGING,STANDARD.....111  
 PUMP,FUEL,HIGH PRESSURE.....181-182  
 PUMP,LIFT,FUEL TRANSFER.....181-182  
 PUMP,SAUER 60CC LS PHASE 2.....111, 267  
 PUNCH SAFE T PUNCH DECAL GLASS BREAKING PUNCH DECAL GLASS SAFETY PUNCH EXIT DECAL.....129  
 PUSH BUTTON, RED (227494).....153  
 PUSH BUTTON, WHITE (227494).....153
- Q**  
 QUICK COUPLING,FEMALE.....251  
 QUICK COUPLING,MALE.....251
- R**  
 RADIATOR CAP.....175  
 RADIATOR HOSE / LOWER.....179  
 RADIATOR STAY,EXT,PERKINS.....187  
 RADIATOR STAY,PERKINS 127HP.....187  
 RADIATOR,PERKINS, 1204E-E44TA.....189  
 RADIATOR,DEERE,W/AC MTG.....175  
 RADIATOR,PERKINS 127HP.....181-182  
 RADIATOR/HOC/CAC,DEUTZ TCD3.6.....197, 203  
 RAIN CAP W/CLAMP.....179, 187, 189, 201, 209  
 RECEIVER-DRIER, AC.....277, 279  
 RED PUSH BUTTON (117623).....139  
 REDUCER,3" TO 2.75".....201, 209  
 REDUCER,4"-3",1204E-E44TA.....189  
 REDUCER,RADIATOR OUTLET,PERKINS 127HP.....181-182  
 REDUCTION BUSHING.....45, 47, 49, 61, 63  
 RELAY 12V,10XX,AC.....285, 287  
 RELAY,HIGH CAPACITY.....125  
 RELAY,SPDT,12V(AUTO) PLUG IN\*\*.....153, 173, 287  
 RELAY,SPDT,12V(AUTO)\*\*.....125, 273, 275  
 RELAY,STARTER,DEUTZ.....199, 205-206  
 RELIEF VALVE.....215, 253-254, 257  
 RESISTOR (117649).....137  
 RESISTOR,DEUTSCH,120 OHM.....175  
 RETAINER,SPRING.....101, 105, 107  
 RETAINING RING,INTERNAL.....99  
 RETURN SPRING,JD-4045.....139, 141, 143  
 RIGHT ENGINE MOUNT, DEUTZ TCD3.6.....199, 205-206  
 RING.....47, 89, 105, 107  
 RING GEAR.....61  
 RING GEAR SUPPORT.....45, 61  
 RING GEAR SUPPORT ASSY.....45, 61  
 RING GEAR,FRONT & REAR AXLE.....45  
 RING KIT.....43, 59  
 RING NUT.....43, 59  
 RING,BEARING RETAINER.....87, 101, 107, 109  
 RING,EXTERNAL SNAP.....91  
 RING,LOCATING,IDLER GEAR BRG.....97  
 RING,OIL BAFFLE RETAINING.....87  
 RING,OIL BAFFLE SEAL.....87
- RING,PISTON.....87  
 RING,RETAINER.....101, 105  
 RING,RETAINING.....87, 93, 107  
 RING,RETAINING,CLUTCH GEAR BRG....101  
 RING,RETAINING,DRIVE GEAR BRG.....95, 97  
 RING,RETAINING-LOCATING.....97, 105  
 RING,TURBINE RETAINING.....91  
 RIVET,STL,P, 125 X .25.....153  
 ROAD LIGHT,BLINKER.....269, 273, 295  
 ROAD LIGHT,RED,LED.....269, 273  
 ROAD LIGHT,TAIL LT.....269, 273  
 ROD END,.375 X 2.25,ZAG.....55, 77, 79, 219, 235  
 ROD END,.375X3.69,ZAG.....55, 75, 217, 233  
 ROD END,.5 X 3.75,ZAG.....55, 77, 79  
 ROD END,CHAIN TENSIONER,1056.....233  
 ROUND BAR,ALUMINUM,.375X5.00.....153  
 RUBBER BOOT.....139  
 RUBBER BOOT (117624).....141  
 RUBBER BOOT (117625).....143, 153, 289  
 RUBBER ELBOW REDUCER;3-2 1/2".....187  
 RUE RING,3/4 PIN.....233
- S**  
 SAFETY ELEMENT.....179, 187, 201, 209  
 SCREW.....83  
 SCREW, HCC, 3/8-16 X 1.50.....237  
 SCREW, HHC, 3/4-10 X 8.5, GR8.....219  
 SCREW, HHC, 7/16-20X.75, G5, Z.....147  
 SCREW, HHC, 7/16-20X1.5, G5,Z.....147  
 SCREW, HHC, M6 X 45.....157  
 SCREW, SHS, 5/16-18 X 3.00.....233  
 SCREW,#8 X 3/8 (117649).....137  
 SCREW,1/4-20 X 1.25,GR8.....229, 235  
 SCREW,ALTERNATOR MOUNTING.....181-182  
 SCREW,BEARING SUPPORT.....95, 97  
 SCREW,BHCS,1/4-20X1.25.....153  
 SCREW,BHHS,1/4-20 X .75.....121, 127, 129, 131, 135, 145, 147, 149, 151, 153, 155, 161, 171, 173, 271, 281, 287  
 SCREW,BHHS,1/4-20 X 1.....153, 271  
 SCREW,BHHS,1/4-20 X 1.75.....131, 153, 171  
 SCREW,BHHS,3/8-16 X 1...73, 121, 135, 145, 147, 149, 151, 281  
 SCREW,BHHS,3/8-16 X 1.25.....129, 145, 147, 155  
 SCREW,BHHS,3/8-16 X 2.5.....129  
 SCREW,BHSCS,1/4-20X5/8,ZP.....123, 153  
 SCREW,CLIP.....83  
 SCREW,CONV.HSG.TO TRANS.CASE.....83  
 SCREW,FHS,M8 X 1.25 X 35.....171  
 SCREW,FILLISTER PHIL,10-24X.38.....235  
 SCREW,FLANGE,HHC,3/8-16X1.25.....199, 205-206  
 SCREW,FRONT COVER TO CONVERTER.....89  
 SCREW,HHC,1-8X6.00,GR8.....55  
 SCREW,HHC,1-8X6.5,GR8...39, 55, 121, 133, 145, 147  
 SCREW,HHC,1/2-13 X 1, GR 5.....121  
 SCREW,HHC,1/2-13 X 1.25 GR5.....145  
 SCREW,HHC,1/2-13 X 1.5.....77, 79  
 SCREW,HHC,1/2-13 X 1.75 GRD 8.....235  
 SCREW,HHC,1/2-13 X 2.75.....213, 215, 217, 219, 221, 223  
 SCREW,HHC,1/2-13 X 3.25.....211, 213, 215, 217, 221, 223, 225

## Part Description Index (continued)

SCREW,HHC,1/2-13 X 4.5,GRD.8.....211, 213, 215, 217, 219	SCREW,HHC,M6 X 35MM,GR 8.8.....129, 131	SEAL,CLUTCH PISTON,INNER.....99, 101, 105, 107
SCREW,HHC,1/2-13 X 5...211, 213, 215, 217, 219, 221, 223, 225	SCREW,HHC,M6 X 50.....129, 131, 157, 159, 165, 169	SEAL,CLUTCH PISTON,OUTER.....99, 101, 105, 107
SCREW,HHC,1/2-13 X 5.25.....37, 55, 77, 79	SCREW,HHC,M6 X 55MM,GRD 8.8....131, 163	SEAL,J HOOK.....129, 131, 155
SCREW,HHC,1/2-13X.875,GR8.....231, 233	SCREW,HHC,M8 X 1.25 X 25.....199, 271	SEAL,OIL.....109
SCREW,HHC,1/2-13X1.25,GR8,Y.....55, 77, 79, 267	SCREW,HHC,M8 X 16.....43, 197, 203	SEAL,OIL DRAIN,1204E-E44TA.....195
SCREW,HHC,1/2-13X2.00 GR8.....69, 71, 185	SCREW,HHC,M8 X 20MM.....131, 167	SEAL,OIL,INPUT FLANGE.....69, 89
SCREW,HHC,1/2-13X2.50,GR8.....71	SCREW,HHF,1/4-20 X 1.00.....191	SEAT ASSY, FULL-SUSPENSION.....121, 145
SCREW,HHC,1/4-20 X .75.....55, 75, 77, 79, 151, 173, 235, 237, 269, 279, 287	SCREW,HHF,1/4-20X1,8,ZAG.....199, 205-206	SEAT ASSY, STD.....121, 145
SCREW,HHC,1/4-20 X 1...149, 173, 177, 182, 195, 197, 201, 203, 209, 277, 279, 287	SCREW,HHF,M16-2.0X30,DIN6921,1.....199, 205-206	SEAT ASSY, SUSPENSION, RECLINE.....147
SCREW,HHC,1/4-20 X 1.25.....73, 199, 205-206	SCREW,INPUT SHAFT TO CONVERTER.....91	SEATBELT ASSY,3" RETRACTABLE.....121, 145, 147
SCREW,HHC,1/4-20 X 1.5.....75, 235	SCREW,JD-4045.....175	SELECTOR.....43, 59
SCREW,HHC,1/4-20 X 1.75.....77, 79	SCREW,M10X20,JD-4045.....177	SENSOR.....199, 205-206
SCREW,HHC,1/4-20 X 2.....277, 279	SCREW,MACHINE,10-32X2.25BLK.....271	SENSOR,COOLANT LEVEL, DEUTZ.....197, 203
SCREW,HHC,3/4-20X.75,GR8.....125	SCREW,PHIL,10-24 X .75.....151	S E N S O R , C R A N K S F T
SCREW,HHC,3/4-10 X 2.75.....191	SCREW,PHILLIPS,PHM,10-32 X .75.....277, 279	SPD,1104D-E44T.....181-182
SCREW,HHC,3/4-10 X 3 GRD.8.....39	SCREW,PHILLIPS,PHM,8-32 X .5.....269	SENSOR,DPF,1204E-E44TA.....191
SCREW,HHC,3/4-10X1.75,GR8,Y.....69	SCREW,PHM,10-24 X .50.....123, 135, 149, 173, 281, 287	SENSOR,LOW PRESSURE,DEUTZ 2.9L.....199, 205-206
SCREW,HHC,3/4-10X11.0,GR8.....55	SCREW,PHM,10-32X3/4,ST TYPE F.....271	SENSOR,WATER TEMP,PERKINS.....185
SCREW,HHC,3/4-10X12.00,GR8.....39	SCREW,PHM,M4 X 12MM,TAPP.SLOT.....137	SHAFT,DISCONNECT.....109
SCREW,HHC,3/4-10X3.50,GR8.....37, 269, 271	SCREW,PUMP MOUNTING.....111	SHAFT,IDLER GEAR HUB.....97
SCREW,HHC,3/4-10X7,GR8,Y.....55, 185	SCREW,PUMP COVER.....95	SHAFT,INPUT.....69, 91
SCREW,HHC,3/4-16X1.5,GR8.....233, 235	SCREW,REAR AXLE,GTH-10XX.....61	SHAFT,REVERSE IDLER.....103
SCREW,HHC,3/4-16X5,GR8.....227	SCREW,REAR COVER TO CASE.....85	SHEAVE,CHAIN.....231
SCREW,HHC,3/8-16 X .75.....277, 279	SCREW,RHM,10-32 X 1.....235	SHEAVE,SINGLE HOSE.....233
SCREW,HHC,3/8-16 X .75,GR 8.....219	SCREW,RHM,8-32 X .75.....73	SHIFTER ASSEMBLY***.....125, 151
SCREW,HHC,3/8-16 X 1.....55, 75, 123, 133, 151, 173, 179, 277, 279, 281	SCREW,SELF DR TEK PH#8 X .75.....133	SHIM / 0.10mm.....43, 59
SCREW,HHC,3/8-16 X 1.25 GRD 5.....55, 77, 79, 233	SCREW,SER/FLNG 10M-1.5X20MM BK....191	SHIM / 0.15mm.....43, 45, 59, 61
SCREW,HHC,3/8-16 X 1.75,GRD.8.....69, 185, 193, 217	SCREW,SHC,10-24 X 2.....263	SHIM / 0.20mm.....43, 59
SCREW,HHC,3/8-16 X 2...211, 213, 215, 217, 219, 221, 223, 225, 233	SCREW,SHC,10-32 X .5.....135	SHIM / 0.30mm.....43, 59
SCREW,HHC,3/8-16 X 2.25.....206	SCREW,SHC,5/16-18 X .5.....199, 205-206	SHIM / 0.40mm.....43, 59
SCREW,HHC,3/8-16 X 3.25.....215	SCREW,SHC,M8X1.25X20,GR 12.9.....199, 205-206	SHIM / 0.50mm.....43, 45, 59, 61
SCREW,HHC,3/8-16 X 3.5,GR5.....37	SCREW,SHS,3/8-16 X .5.....151	SHIM KIT.....43, 49, 59
SCREW,HHC,3/8-16 X 4.5.....37	SCREW,SPEED SENSOR.....83, 85	SHIM, 10 X 3 X .06.....233
SCREW,HHC,3/8-16X1,8,ZAG.....81	SCREW,STATOR SUPPORT.....87	SHIM,2X7X.06.....231, 233
SCREW,HHC,3/8-16X1.25,8,ZAG.....81	SCREW,THERMSTAT.PERKINS1004-42..181-182	SHIM,PAD 2.0 X 4.0 X .06 THK.....231, 233, 235
SCREW,HHC,3/8-16X2.0,GR8.....235	SCREW,TUBE CLIP.....85	SHIM/020MM.....45, 61
SCREW,HHC,3/8-16X2.5,GR8.....231, 233	SEAL.....43, 45, 47, 49, 59, 61	SIGHT GLASS KIT.....197, 203
SCREW,HHC,3/8-16X3.5,GR8.....217	SEAL KIT.....111, 253-254, 257, 259	SLEEVE,COMP HOSE,TCD3.6,T4F...197, 203
SCREW,HHC,3/8-16X5.00,GR8.....215	SEAL KIT / PUMP OVERHAUL.....111, 267	SLEEVE,CONVERTER HOUSING.....83
SCREW,HHC,5/16-18 X 1.25.....121, 145, 175, 179, 187, 189, 201, 209, 235, 277	SEAL KIT / STEERING CYL.....51, 65	SLEEVE,FAN BELT,JD-4045.....175
SCREW,HHC,5/16-18 X 1.75.....235	SEAL KIT CYL ROTATE, 216571.....219	SLEEVE,PISTON RING.....99
SCREW,HHC,5/16-18 X 2.....197, 203	SEAL KIT, CYLINDER T109799.....211, 213, 215, 217, 221, 223, 225	SLEEVE,PRESSURE & LUBE TUBE.....85
SCREW,HHC,5/16-18 X 2.00,GR8.....71	SEAL KIT, SWAY CYL 1253248/49.....55, 75	SLEEVE,TUBE,CAC TURBO,TCD3.6.....197, 203
SCREW,HHC,5/16-18X1.....145	SEAL KIT, VALVE.....253-254, 257	SNAP RING.....41, 45, 61, 109
SCREW,HHC,5/16-18X5/8,GR8.....215	SEAL KIT,52372,SOLENOID VALVE.....257	SNAP RING,BACKING PLATE.....99, 101, 105, 107
SCREW,HHC,5/8-11 X 3 GRD.8.....177, 179	SEAL KIT,52907,SIZE 4, 2 WAY.....253-254, 257	SNAP RING,BEARING.....87
SCREW,HHC,5/8-11 X 4.0 GR8.....199, 205-206	SEAL KIT,CYLINDER.....235	SNAP RING,EXTERNAL,1.00 DIA....229, 231, 233
SCREW,HHC,5/8-11X4.50,GR8,Y.....69	SEAL KIT,CYLINDER 1253243.....77, 79	SNAP RING,EXTERNAL,1.5 DIA***.....215
SCREW,HHC,M10 X 25MM,GR 8.8.....177	SEAL KIT,CYLINDER 1253246.....77, 79	SNAP RING,EXTERNAL,2.00 DIA.....215
SCREW,HHC,M12 X 30.....175, 177, 199, 201, 205-206, 209	SEAL KIT,CYLINDER,4.53BX2.95R.....233	SNAP RING,EXTERNAL,2.00,ZAG.....219
SCREW,HHC,M12-1.25X40MM,10.9,Y.....75	SEAL KIT,CYLINDER,5.51BX3.54R.....77, 79	SNAP RING,FRONT BEARING.....101
SCREW,HHC,M5 X 12MM.....201, 209	SEAL KIT,REXROTH DO3 VALVE.....259, 263	SNAP RING,SPRING RETAINER.....101, 105, 107
SCREW,HHC,M6 X 16.....171	SEAL KIT,SOLENOID VALVE, SV07.....259	SNAP RING,SPRING RETAINING.....99, 101
SCREW,HHC,M6 X 20MM,GR8.8.....131, 147	SEAL KIT,SOLENOID(52377).....261, 263	SOLENOID COVER,T20000 TRANS.....115
SCREW,HHC,M6 X 30MM,GRD 8.8.....129, 131, 157, 159, 167	SEAL KIT,STAB CYLINDER 1253247.....37	SOLENOID VALVE.....253-254, 257, 277, 279
	SEAL KIT,TILT CYLINDER 1253245.....211, 213, 215, 217, 221, 223, 225	SOLENOID VALVE, 2 POS 4 WAY.....259
	SEAL KIT-P.N.44169,44172,44171.....259, 261	SOLENOID W/DEUTSCH CONNECTOR....115
	SEAL WASHER.....43, 63	SOLENOID,STARTER,JD4045(115336.....177
		SPACER.....43, 49, 59, 63

- SPACER / BEARING.....107  
 SPACER SLEEVE, TCD3.6 ALT.....201, 209  
 SPACER, ANCHOR.....167  
 SPACER,10X3X.50.....229, 231, 233, 235  
 SPACER,2X7X.50.....231, 233  
 SPACER,CAB WINDOW.....129, 131, 163  
 SPACER,FAN BELT,JD-4045.....175  
 SPACER,FRONT WINDOW,HDPE.....129  
 SPACER,GEAR BEARING.....101  
 SPACER,GLASS BUSHING.....129, 131, 157, 159, 163, 165, 167, 169  
 SPACER,HINGE.....131, 167  
 SPACER,HOLDBACK MOUNT.....129, 169  
 SPACER,HOSE ROLLER.....233  
 SPACER,LOW SPEED GEAR.....105  
 SPACER,LOW SPEED SHAFT,FRT,BRG....105  
 SPACER,NYL .26 X .75 X .375L.....153  
 SPACER,OUTPUT SHAFT.....109  
 SPACER,OUTPUT SHAFT GEAR.....109  
 SPACER,PISTON RETURN SPRING....99, 101  
 SPACER,TUBE CLIP.....85  
 SPACER,WINDOW.....129, 131, 157, 159, 165, 169  
 SPLIT FLANGE KIT, 2 IN.....243  
 Spool (part of the assembly body).....117  
 SPRING.....43, 47, 49, 63, 213, 215, 217, 219, 221, 223  
 SPRING CLIP,1/4-20,.025-.15X.54,ZAG.....55, 75, 77, 79, 127, 129, 131, 135, 149, 155, 161, 171, 173, 191, 197, 203, 229, 235, 269, 271, 279, 281, 287  
 SPRING CLIP,10-24,.025-.125X.468,ZAG...151  
 SPRING CLIP,3/8-16 LG ZINC.....73, 121, 123, 133, 135, 281  
 SPRING CLIP,3/8-16,.05-.20X.73,ZAG.....125, 129, 145, 147, 149, 151, 155, 169, 173, 269  
 SPRING WASHER.....43  
 SPRING, COMPRESSION.....233, 235  
 SPRING, JOYSTICK METERING.....141  
 SPRING,ACCUM,OUTER,T20000 TRAN....117  
 SPRING,ACCUMULATOR,INNER.....117  
 SPRING,ACCUMULATOR,MIDDLE.....117  
 SPRING,PISTON RETURN.....101, 105, 107  
 SPRING,PISTON RING EXPANDER.....99  
 SPRING,REGULATOR.....117  
 STARTER MOTOR,JD-4045.....177  
 STARTER RELAY.....175, 181-182  
 STARTER,4KW,DEUTZ TCD3.6.....199, 205-206  
 STARTER,ENG,PERK T3 6/8/10K.....185, 193  
 STARTER,PERK,1104D,5KW.....185  
 STEERING ADJUST BOLT.....47  
 STEERING CASE WITH BUSHING LH.....45, 61  
 STEERING CASE WITH BUSHING RH.....45, 61  
 STEERING UNIT, 250CC LOAD SENSE..125, 151  
 STEERING WHEEL, 362MM.....125, 149, 151  
 STRAP KIT,DRIVESHAFT,1480.....69  
 STRAP,FLEXIBLE STEP.....121, 145, 147  
 STROBE,BEACON W/O HARDWARE\*\*\* .....133  
 STROBE,BEACON, AC COMP 12-80V.....121, 145, 147, 289, 291  
 STUD.....45, 61, 89  
 STUD,BEARING CAP.....109  
 STUD,REAR BEARING CAP.....107  
 STUD,WHEEL.....45, 61  
 STUDS,FAN,8MMX1.25MMX90MM....181-182  
 SUPPORT.....53, 67  
 SUPPORT,PUMP DRIVE BEARING.....95, 97  
 SUPPORT,STATOR.....87  
 SVC ACC.,CAB HEATER,GTH-10XX.....137  
 SVC ACC.,DEFROSTER FAN,GTH10XX....135  
 SVC ACC.,FRONT WINDOW,GTH10XX.....129  
 SVC ACC.,GLASS OVER SKYLIGHT.....129  
 SVC ACC.,INTERIOR DOMELIGHT.....133  
 SVC ACC.,RH SLIDING WINDOW.....133  
 SVC ACC.,WIPER,GTH-10XX.....129  
 SVC KIT TRUSS BOOM QA 10K.....223  
 SVC KIT,ROADLIGHTS,10XX REV.4.....269, 271  
 SVC KIT,WORKLIGHTS,10XX REV.4.....269  
 SWITCH PRESSURE NC, 350PSI.....259  
 SWITCH PRESSURE NC,450PSI.....265  
 SWITCH PRESSURE NO, 250PSI.....259  
 SWITCH, AUXILIARY.....127, 153  
 SWITCH, LIGHTS.....271  
 SWITCH, PARKING BRAKE.....123, 149  
 SWITCH, SKYLIGHT WIPER/WASHER.....159  
 SWITCH, TURN SIGNAL.....269, 271  
 S W I T C H , W I N D S H I E L D WIPER/WSHER.....123, 157  
 SWITCH, WIPER.....135  
 SWITCH,DIFFERENTIAL LOCK.....135  
 SWITCH,LIGHTS.....269, 273, 275  
 SWITCH,PRESS,NC,150PSI,1/8NPT...69, 85, 175  
 SWITCH,PRESS,NO,50 PSI,04 OR..257, 265, 271, 273, 275  
 SWITCH,STABILIZER LEFT.....127, 153  
 SWITCH,STABILIZER RIGHT.....127, 153  
 SWITCH,STEER/WIPER.....149  
 SWITCH,TEMP,NO,250F,1/2NPT.....69, 85
- T**
- T WASHER,4.00X2.00X.125.....217  
 TAIL LIGHT.....269, 275  
 TAIL LIGHT,RED,LED.....269, 275  
 TANK ASSY,GTH1056/48.....71  
 TAPE,NON-SKID,DIE CUT,3"X 4".....151  
 TAPE,NON-SKID,DIE CUT,6"X 2".....145  
 TAPER ROLLER BEARING.....43, 59  
 TAPPING SCREW M4 X 8 (117649)...137, 287  
 TAPPING SCREW M6 X 10 (117649).....135, 137, 173, 281, 287  
 TEE,BULKHEAD,RUN,520958-12.....249  
 TEE,RUN,SWIVEL,520432-6.....245, 247, 283  
 TENSIONER ARM ALT, PERKINS.....181-182  
 TENSIONER ARM,PERKINS 127HP.....181-182  
 TERM,.156 BULLET MALE,16-14GA.....121  
 TERM,NI SOC,14-16GA,BULK.....141  
 TERM,NI SOC,16-18GA SOLID.....235  
 THERMOSTAT.....285, 287  
 THERMOSTAT & HOUSING,PERK.....187  
 THERMOSTAT GASKET, JD4045T.....175  
 THERMOSTAT HSING,1204E-E44TA.....195  
 THERMOSTAT, JD4045T.....175  
 THREADED PIECE, TCD3.6 ALT.....201, 209  
 THREADED SPRING CLIP, 5/16.....235  
 THROTTLE PED,PLASTIC TREADLE).....125  
 THROTTLE PEDAL, METAL, GTH.....151  
 THRUST BUSHING.....45, 53, 61, 67  
 TIE ROD,ARTICULATED.....51, 65  
 TIRE&WHEEL,14X24 AIR,16PR, RT.....75  
 TIRE&WHEEL,14X24 AIR,16PR,LT.....75  
 TIRE&WHEEL,14X24 AIR,LH,12PR.....75  
 TIRE&WHEEL,14X24 AIR,RH,12PR.....75  
 TIRE&WHEEL,14X24 FOAM,16PR,LT.....75  
 TIRE&WHEEL,14X24 FOAM,16PR,RT.....75  
 TIRE&WHEEL,14X24 FOAM,LH,12PR.....75  
 TIRE&WHEEL,14X24 FOAM,RH,12PR.....75  
 T I R E & W H E E L , 1 4 X 2 4 , A I R , L E F T EXTREMELIFT.....75  
 TIRE&WHEEL,14X24,AIR,LT,12PR.....75  
 T I R E & W H E E L , 1 4 X 2 4 , A I R , R I G H T EXTREMELIFT.....75  
 TIRE&WHEEL,14X24,AIR,RT,12PR.....75  
 T I R E & W H E E L , 1 4 X 2 4 , C R U M B , L E F T EXTREMELIFT.....75  
 T I R E & W H E E L , 1 4 X 2 4 , C R U M B , R I G H T EXTREMELIFT.....75  
 TIRE&WHEEL,14X24,FOAM,LT,12PR.....75  
 TIRE&WHEEL,14X24,FOAM,RT,12PR.....75  
 TIRE&WHEEL,SOLIDBOSS,14X24,LH.....75  
 TIRE&WHEEL,SOLIDBOSS,14X24,RH.....75  
 TIRE,14.00 X 24 G3000 10K,12PR.....75  
 TIRE,14.00X24 GS3000,10K,16PR.....75  
 TIRE,14X24,12PR.....75  
 TIRE,FIRESTONE SSG,14X24,12PR.....75  
 TIRE,ROCKLUG,AIR,1400X24.....75  
 TIRE,ROCKLUG,FOAM,1400X24.....75  
 TIRE,TITAN E-3/L3-3 1400X24.....75  
 TRACK,PLASTIC CABLE.....237  
 TRANS/PUMP ASSY,GTH-1056/48.....69  
 TRANSMISSION COL SHIFT CONTROL...125  
 TRIGGER,GRAY PUSH BUTTON.....139  
 TRIM,EDGE,1/8X3/4 END BULB.....197, 203  
 TRIMLOCK,BLACK,3/16.....129, 131, 133, 171, 173, 281, 287  
 TRUSS BOOM / SLIP ON / 10K MOD.....227  
 TUBE.....85  
 TUBE ASSY, TILT, RET.....249  
 TUBE ASSY,AUX,INNER.....251  
 TUBE ASSY,AUX,OUTER.....251  
 TUBE ASSY,EXT CYL,EXT.....249  
 TUBE ASSY,EXT CYL,RET.....249  
 TUBE ASSY,STRAIGHT,LB INNER.....249, 251  
 TUBE ASSY,STRAIGHT,LB OUTER.....249, 251  
 TUBE ASSY,TILT,EXT.....249  
 TUBE SLEEVE.....85  
 TUBE, SEAT BELT SPACER.....147  
 TUBE, SPACER.....219  
 TUBE,EXST,FLEX-PIPE,TCD3.6T4I...205-206  
 TUBE,LUKE.....83, 85  
 TUBE,QA LOCK LEVER SPACER.....213, 215, 217, 219, 221, 223  
 TUBE,RD,STL 2.5X.180X1.75LG.....235  
 TUBE,RD,STL,1.375X.095X20"A513.....271  
 TURBO CHARGER PERKINS 10KREV4....185  
 TURBO CHARGER,JD-4045.....175  
 TURBOCHARGER,1204E-E44TA.....193  
 TURBOCHARGER,DEUTZ TCD3.6.....201, 209
- U**
- U-BOLT,3/8-16X2X3 ZINC.....237  
 UBOLT,1/4-20 X .75,1.75X1.00.....149  
 UJOINT,DRVSHFT,GTH10XX(117188).....69  
 UNION,STR.THREAD-6.....283  
 UPPER CAC PIPE CLAMPS.....187  
 UPPER CAC PIPE CONNECTORS.....201, 209  
 UPR CAC CONNECTOR,1204E-E44TA.....189  
 UPR CAC PIPE CNCTR,1204E-E44TA.....189

## Part Description Index (continued)

## V

V-BELT,ALTERNATOR,DEUTZ TCD3.6.....201, 209	WASHER,FENDER,.25 X 1.25 X.062.....131, 163	WASHER,OIL DRAIN,PERKIN1004-42.....181-182
V-BELT,RADIATOR FAN,DEUTZ TCD3.....201, 209	WASHER,FLANGE.....109	WASHER,RUBBER MOUNT,CAB.....121, 133, 145, 147
VALVE ASSY.....113, 115, 117	WASHER,FLAT, M5 YELLOW ZINC.....201, 209	WASHER,SHIM,.938 X 1.37 X .048....131, 163
VALVE ASSY,AC FLOW CONTROL.....277, 279	WASHER,FLAT,.250, HARDENED....125, 177, 182, 195	WASHER,SHIM,1.01 X 1.63 X.062.....229, 231
VALVE ASSY,HYD AC CONTROL.....277, 279	WASHER,FLAT,.375 X 1.5 X .125.....129, 199, 205-206	WASHER,THRUST.....215
VALVE COVER,1204E-E44TA.....193	WASHER,FLAT,.5 HARDENED...69, 213, 215, 217, 219, 221, 223, 231, 233, 267	WASHER,THRUST,3.06X6.00X.06.....55, 77, 79
VALVE COVER,DEUTZ TCD3.6.....201, 209	WASHER,FLAT,.625 HARDENED.....199, 205-206	WASHER,THRUST,4X.6X.1.....131, 155
VALVE, CHECK 25 PSI.....259	WASHER,FLAT,.625 X 2.25 X.15.....199, 205-206	WASHER,TRANSMISSION,GTH10XX.....69, 119
VALVE, HEATER.....173, 287	WASHER,FLAT,.625 HARDENED.....69	WATER PUMP KIT.....181-182
VALVE, OIL DRAIN, PERKINS.....182, 189	WASHER,FLAT,.75 HARDENED.....37, 39, 69, 269, 271	WATER PUMP,1204E-E44TA.....195
VALVE, PROP. DIRECTIONAL.....253-254, 257	WASHER,FLAT,.812X2X.14 HARDEN.....39, 55, 185	WATER SEP ASY,PERKINS.....181-182
VALVE, REDUCING, RELIEVING.....259	WASHER,FLAT,1 1/2.....215	WATER TEMP SENDER,JD-4045.....175
VALVE, REDUCING, RELIEVING 400 PSI.....259	WASHER,FLAT,1.06X2.75X.25.....235	WATER TUBE,W/FLANGE,JD-4045.....179
VALVE, REDUCING, RELIEVING 50 PSI.....259	WASHER,FLAT,1.56 X 3.5 X .061.....231, 233	WEAR PAD, LOWER ROTATE.....219
VALVE,C'BALANCE,DUAL STAGE.....233	WASHER,FLAT,3/8,USS,ZAG.....81	WEAR PAD, SPACER PIVOT.....219
VALVE,CB.CACG-LGN@4200.....211, 213, 215, 217, 221, 223, 225	WASHER,FLAT,313, HARDENED.....69, 185, 193	WEAR PAD,3.75 X 1.50 X .63.....237
VALVE,CB.CBCG-LJN@3200.....75	WASHER,FLAT,HARDENED 7/16.....147	WEARPAD,10X3X.75HD.....229, 231, 233, 235
VALVE,CB.CBCG-LJN@3400.....37	WASHER,FLAT,M12.....199, 205-206	WEARPAD,2X7X.75,LD.....229, 231, 233, 235
VALVE,CB.CBCG-LJN@2000.....55	WASHER,FLAT,M4.....137	WEARPAD,2X7X.88,LD.....231, 233
VALVE,CBEA-LHN@3200:PSI.....233, 235	WASHER,FLAT,M6 PLTD.....171	WEATHER STRIPPING,1/2"X3/8 THK.....129
VALVE,CHECK,GS68 (SIZE 8).....259	WASHER,FLAT,M6,DIN125,ZAB.....147	WEATHERSTRIP,DOUBLE BULB.....129, 131, 157, 159, 161, 163, 165, 167, 169, 171
VALVE,COUNTERBALANCE 4000 PSI.....77, 79	WASHER,FLAT,M8,YELLOW ZINC.....199	WELDMENT,48"CARRIAGE,QA.....213
VALVE,COUNTERBALANCE,3800 PSI.....219	WASHER,FLAT,MS,#10,Y.....121, 133, 145, 147, 149, 173, 271, 277, 279, 287	WELDMENT,60"CARRIAGE,QA.....213
VALVE,DUAL CHECK.....215	WASHER,FLAT,MS,#8,Y.....73	WELDMENT,72"CARRIAGE,QA.....213
VALVE,EXTEND C'BALANCE.....235	WASHER,FLAT,SAE 1/4,ZINC.....55, 75, 77, 79	WELDMENT, 48" CARRIAGE, QA.....219
VALVE,FLOW CONTROL, 0.1GPM*.....253-254, 257	WASHER,FLAT,SAE,1",YZ GR8.....233	WELDMENT, 60" CARRIAGE, QA.....219
VALVE,FLOW CONTROL,ADJ PC.....277, 279	WASHER,FLAT,USS,#12,Y.....149, 153	WELDMENT, 72" CARRIAGE, QA.....219
VALVE,FLOW REG/6.0GPM(59599)*.....261	WASHER,FLAT,USS,1",Y.....55, 121, 133, 145, 147	WELDMENT, CAB DOOR.....171
VALVE,FLOW REGULATOR, 2.0 GPM*.....253-254, 257	WASHER,FLAT,USS,1/2",Y.....71, 121, 131, 145, 147, 151, 155, 185	WELDMENT, CARRIAGE PIVOT,ROTATE.....219
VALVE,SHUTTLE,GS68.....257	WASHER,FLAT,USS,1/4"Y.....55, 73, 75, 77, 79, 121, 127, 129, 131, 133, 135, 145, 149, 151, 153, 155, 161, 167, 171, 173, 197, 201, 203, 209, 229, 235, 237, 269, 271, 277, 279, 281, 287	WELDMENT, SLAM POST.....155
VALVE,SOLENOID,3POS 4WAY***.....261	WASHER,FLAT,USS,3/4",Y.....55, 191	WELDMENT, SML BOOM 1056(BLUE).....229
VALVE-CHECK, #4 SAE, 5 PSI*.....253-254, 257, 261, 263	WASHER,FLAT,USS,3/8",Y.....75, 121, 123, 125, 127, 129, 131, 133, 145, 151, 153, 155, 161, 167, 173, 269, 277, 279, 281, 287	WELDMENT, STEER COLUMN.....151
VALVE-CHECK,100PSI,SIZE 10.....253-254, 257	WASHER,FLAT,USS,5/16",Y.....121, 145, 147, 151, 175, 179, 187, 189, 197, 201, 203, 209, 277	WELDMENT, STEERING COLUMN.....151
VALVE-RELIEF,3500PSI.....253-254, 257	WASHER,FLAT,USS,5/8",Y.....177, 179	WELDMENT, TILT LOCK.....151
VALVE-SOLENOID, 2POS 4WAY.....253-254	WASHER,FLYWHEEL,PERKINS 127HP.....185	WELDMENT, WINDOW DOOR.....167
VALVE-SOLENOID,2POS 3WAY,JIB**.....259	WASHER,HRDND,2.01X2.75X.06PLTD.....219	WELDMENT, ZF TRANS.COVER.....75
VENT.....41, 57	WASHER,JD-4045.....177	WELDMENT,#1 BOOM, 1056.....235
VENT,3" DEFROSTER.....173	WASHER,LOCK,#10 PLTD.....123, 149	WELDMENT,#4 BOOM, 1056.....229
VENT,MCCI 23-0171.....135	WASHER,LOCK,.25.....135, 137, 173, 281, 287	WELDMENT,10XX HYDRAULIC TANK.....71
VLV,SOL,DO3,REXROTH,3POS 4 WAY.....263	WASHER,LOCK,313.....215	WELDMENT,48"CARRIAGE,PIN ON.....211
	WASHER,LOCK,.375.....199, 205-206, 235	WELDMENT,48"CARRIAGE,ROTATE.....217
	WASHER,LOCK,0.5".....185	WELDMENT,60"CARRIAGE,PIN ON.....211
	WASHER,LOCK,HI COLLAR,.5.....69	WELDMENT,72" CARRIAGE, SWING.....215
	WASHER,LOCK,M12.....201, 209	WELDMENT,72"CARRIAGE,PIN ON.....211
	WASHER,LOCK,M4***.....137	WELDMENT,BOOM COVER.....235
	WASHER,LOCK,M8.....199, 205-206, 271	WELDMENT,CAB.....121, 129, 145, 147
	WASHER,LOCK,SPLIT,3/8.....89, 91, 107, 113	WELDMENT,CAB DOOR.....131
	WASHER,LOCK,SS,M10,18-8.....69	WELDMENT,CABLE BRIDGE.....237
	WASHER,NYLON .50 X 1.25 X .063.....151	WELDMENT,CARRIAGE,PIVOT, ROT.....217
		WELDMENT,DOOR POST.....129
		WELDMENT,DOOR POST (TRF BLACK)...155
		WELDMENT,DOOR STOP.....131
		WELDMENT,ENG SKID,1204E-E44TA.....185, 191
		WELDMENT,FENDER FRAME MOUNT.....75
		WELDMENT,FL,1204E-E44TA.....191
		WELDMENT,FORK TINE,48".....211, 213, 217, 219
		WELDMENT,FORK TINE,48" CUBING,.....211, 213
		WELDMENT,FORK TINE,60".....211, 213, 219
		WELDMENT,FORK TINE,60" TAPERED...211, 213

## W

Warning - Crush Hazard, Moving Parts.....13, 21, 23
Warning - Crush Hazard, Overhead Parts.....13
WASHER.....103, 217
WASHER BOTTLE/BRACKET ASSY.....135
WASHER, 1/2 PLATE (1/2 X 2.25 X 3/16).....71
WASHER, 7/16, FLAT.....185
WASHER, FLAT, 1/2.....185
WASHER, FLAT, 10MM.....181-182
WASHER, TCD3.6 ALT.....201, 209
WASHER,3/4 NORDLOCK SECURE.....233, 235
WASHER,BEARING RETAINER.....103
WASHER,BEARING SUPPORT.....87, 105
WASHER,CRUSH.....185
WASHER,ENG.REAR,JD-4045.....177, 179

WELDMNT,FORK TINE,72".....211, 213, 215,  
219  
WELDMNT,FORK TINE,LUMBER.....211, 213  
WELDMNT,FR,1204E-E44TA.....191  
WELDMNT,HOLDBACK MOUNTING.....129,  
169  
WELDMNT,HOSE CLAMP.....237  
WELDMNT,HOSE ROLLER.....233  
WELDMNT,LIGHT BAR,LT.....269  
WELDMNT,LIGHT BAR,RT.....269  
WELDMNT,LOCK PIN.....221  
WELDMNT,LOWER CYL MOUNT.....39, 55  
WELDMNT,MANIFOLD MOUNT.....81  
WELDMNT,QA MOUNT..213, 215, 217, 219,  
221, 223  
WELDMNT,QA SWING COUPLER.....215  
WELDMNT,REAR ENGINE COVER.....77  
WELDMNT,RH SCREEN.....123, 149  
WELDMNT,RL,1204E-E44TA.....191  
WELDMNT,RR,1204E-E44TA.....191  
WELDMNT,STABILIZER ARM.....37  
WELDMNT,STABILIZER FOOTPAD.....37  
WELDMNT,STABILIZER MOUNT.....37  
WELDMNT,STABILIZER PIVOT.....37  
WELDMNT,TILT PIN.....215, 217  
WELDMNT,TILT PIN,KIT.....211, 213, 219,  
221, 223, 225  
WELDMNT,WINDOW FRAME.....131  
WHEEL HUB.....45, 61  
WHEEL NUT.....45, 61  
WHEEL,9X24,0.5"INSET.....75  
WINDOW, DOOR.....167  
WINDOW, RH SLIDING GTH.....133, 161  
WING STYLE U-JOINT 6C.....69  
WIPER ARM,14".....129, 157, 159  
WIPER BLADE,20".....129, 157, 159  
WIPER MOTOR.....129, 157, 159  
WIRE HARNESS,10XX,AC.....285  
WIRING HARNESS,1204E-E44TA.....293  
WELDMNT,EXST MNT,TCD3.6 T3,10K.....199  
WORKLIGHT,REAR,WHITE,LED.....269, 275

**Z**

ZERK,GREASE,1/8 NPT.....217

## Fitting Cross References

Genie PN	Parker PN	Description	Genie PN	Parker PN	Description
12342	6-4 F5OX-S	CONNECTOR,STRAIGHT THREAD TO FLARE TUBE	42794	1 CR-S	ELBOW,90°,MALE PIPE
13757	4 R6X-S	RUN TEE,SWIVEL NUT,ORFS	42795	BV-0839	BALL VALVE
19685	12-10 C5OX-S	ELBOW,90°,STRAIGHT THREAD TO FLARE TUBE	42796	BV-0838	BALL VALVE
22664	12-10 C5OX	ELBOW,90°,STRAIGHT THREAD TO FLARE TUBE	42874	6-8 CLO-S	ELBOW,90°,MALE PIPE TO ORFS
27431	8-12 F5OX-S	CONNECTOR,STRAIGHT THREAD TO FLARE TUBE	42912	13943-6-4	HOSE END,90° FEMALE SWIVEL,JIC
28678	AS-B-33	SLEEVE,NYLON,1.81" ID	42920	BV-0840	BALL VALVE,90°
39871	6 WETX-WLN-S	UNION,90° BULKHEAD W/NUT,FLARE TUBE	42932	AS-B-17	SLEEVE,NYLON,1.22" ID
39872	4 R5OX-S	RUN TEE,STRAIGHT THREAD	42936	10243-2-4	HOSE END,FEMALE PIPE
39873	6 C5OX-S	ELBOW,90°,STRAIGHT THREAD TO FLARE TUBE	42953	1/2 DD-S	ELBOW,90°,FEMALE PIPE
39874	8-6 C5OX-S	ELBOW,90°,STRAIGHT THREAD TO FLARE TUBE	42956	6 WELO-WLNL-S	UNION,90° BULKHEAD W/NUT,ORFS
39875	4-6 C5OX-S	ELBOW,90°,STRAIGHT THREAD TO FLARE TUBE	45349	8 V5OX-S	ELBOW,45°,STRAIGHT THREAD TO FLARE TUBE
39876	6-8 C5OX-S	ELBOW,90°,STRAIGHT THREAD TO FLARE TUBE	45351	4 V5OX-S	ELBOW,45°,STRAIGHT THREAD TO FLARE TUBE
39877	4 F5OX-S	CONNECTOR,STRAIGHT THREAD TO FLARE TUBE	47223	10343-6-6	HOSE END,MALE,JIC
39878	6 F5OX-S	CONNECTOR,STRAIGHT THREAD TO FLARE TUBE	47419	PS690503-6-6	SWIVEL,90°,STRAIGHT THREAD TO 37° FLARE
39879	4-8 F5OX-S	CONNECTOR,STRAIGHT THREAD TO FLARE TUBE	48750	421-4	HOSE,1/4 INCH ID
39880	6-10 F5OX-S	CONNECTOR,STRAIGHT THREAD TO FLARE TUBE	48751	481TC-4	HOSE,1/4 INCH ID
39881	4-6 F5OX-S	CONNECTOR,STRAIGHT THREAD TO FLARE TUBE	48752	482TC-4	HOSE,1/4 INCH ID
39882	4-HP5ON-S	PLUG,STRAIGHT THREAD	48753	451TC-6	HOSE,3/8 INCH ID
39883	8-8 FTX-S	CONNECTOR,MALE PIPE TO FLARE TUBE	48754	482TC-6	HOSE,3/8 INCH ID
39885	269HB 12-12	ELBOW,90°,BEADED HOSE BARB TO MALE PIPE	48755	381-6	HOSE,3/8 INCH ID
39886	431-6	HOSE,3/8 INCH ID	48756	451TC-8	HOSE,1/2 INCH ID
39887	540N-2	HOSE,1/8 INCH ID	48757	482TC-8	HOSE,1/2 INCH ID
39888	801-8	HOSE,1/2 INCH ID	48758	381-8	HOSE,1/2 INCH ID
39889	801-12	HOSE,3/4 INCH ID	48759	381-10	HOSE,5/8 INCH ID
39890	10643-6-6	HOSE END,FEMALE SWIVEL,JIC	48760	451TC-10	HOSE,5/8 INCH ID
39891	13943-6-6	HOSE END,90° FEMALE SWIVEL,JIC	48761	482TC-12	HOSE,3/4 INCH ID
39892	13743-6-6	HOSE END,45° FEMALE SWIVEL,JIC	48762	451TC-12	HOSE,3/4 INCH ID
39894	30682-8-8	HOSE END,FEMALE SWIVEL,JIC	48763	772-12	HOSE,3/4 INCH ID
39895	30682-10-12	HOSE END,FEMALE SWIVEL,JIC	48764	881-16	HOSE,1 INCH ID
42286	8-8 CTX-S	ELBOW,90°,MALE PIPE TO FLARE TUBE	48765	772-16	HOSE,1 INCH ID
42756	8-12 CLO-S	ELBOW,90,MALE PIPE TO ORFS	48766	AS-B-15	SLEEVE,NYLON,1.06" ID
42757	8-12 FLO-S	CONNECTOR,MALE PIPE TO ORFS	48767	AS-B-22	SLEEVE,NYLON,1.42" ID
42758	4 JLO-S	UNION TEE,ORFS	48770	881-8	HOSE,1/2 INCH ID
42759	4-4 FLO-S	CONNECTOR,MALE PIPE TO ORFS			
42760	6-8 FLO-S	CONNECTOR,MALE PIPE TO ORFS			
42761	1J143-6-4	HOSE END,90° FEMALE SWIVEL,SEAL LOK			
42762	1J743-6-4	HOSE END,45° FEMALE SWIVEL,SEAL LOK			
42768	1JO43-4-4	HOSE END,MALE,SEAL LOK			
42776	601-8	HOSE,1/2 INCH ID			
42777	1J743-16-16	HOSE END,45° FEMALE SWIVEL,SEAL LOK			
42786	16 CLO-S	ELBOW,90°,MALE PIPE TO ORFS			
42787	16 R6LO-S	RUN TEE,SWIVEL NUT,ORFS			
42788	16-8 TRLO-BL-S	REDUCER,TUBE END TO SWIVEL,ORFS			
42789	6-6 CLO-S	ELBOW,90°,MALE PIPE TO ORFS			
42790	8-10 V5OLO-S	ELBOW,45°,STRAIGHT THREAD TO ORFS			
42791	3/4 CD-S	ELBOW,90°,MALE TO FEMALE PIPE			
42792	3/4 X 1/2 PTR-S	REDUCER,MALE TO FEMALE PIPE			
42793	1/2 CR-S	ELBOW,90°,MALE PIPE			

## Fitting Cross References (Continued)

Genie PN	Parker PN	Description	Genie PN	Parker PN	Description
48771	881-10	HOSE,5/8 INCH ID	48847	13943-12-12	HOSE END,90° FEMALE SWIVEL,JIC
48772	381-4	HOSE,1/4 INCH ID	48848	10543-12-12	HOSE END,MALE,STRAIGHT THREAD
48773	AS-B-13	SLEEVE,NYLON,.86" ID	48849	1JC71-12-12	HOSE END,FEMALE SWIVEL,SEAL LOK
48800	1JC43-4-4	HOSE END,FEMALE SWIVEL,SEAL LOK	48850	1JS71-12-12	HOSE END,FEMALE SWIVEL,SEAL LOK
48801	1J743-4-4	HOSE END,45° FEMALE SWIVEL,SEAL LOK	48851	1J171-12-12	HOSE END,90° FEMALE SWIVEL,SEAL LOK
48802	1J943-4-4	HOSE END,90° FEMALE SWIVEL,SEAL LOK	48852	1J771-12-12	HOSE END,45° FEMALE SWIVEL,SEAL LOK
48804	1JM43-4-4	HOSE END,MALE,SEAL LOK, NO O-RING	48853	1J971-12-12	HOSE END,90° FEMALE SWIVEL,SEAL LOK
48805	10643-4-4	HOSE END,FEMALE SWIVEL,JIC	48854	1JC43-16-16	HOSE END,FEMALE SWIVEL,SEAL LOK
48806	13943-4-4	HOSE END,90° FEMALE SWIVEL,JIC	48855	1J943-16-16	HOSE END,90° FEMALE SWIVEL,SEAL LOK
48807	1JS43-4-4	HOSE END,FEMALE SWIVEL,SEAL LOK	48856	1J171-16-16	HOSE END,90° FEMALE SWIVEL,SEAL LOK
48808	3JC82-8-8	HOSE END,FEMALE SWIVEL,SEAL LOK	48857	1J971-16-16	HOSE END,90° FEMALE SWIVEL,SEAL LOK
48809	3JC82-12-12	HOSE END,FEMALE SWIVEL,SEAL LOK	48859	1JS43-8-4	HOSE END,FEMALE SWIVEL,SEAL LOK
48810	1JC43-6-4	HOSE END,FEMALE SWIVEL,SEAL LOK	48867	PD36BTL	DIAGNOSTIC NIPPLE,SEAL-LOK SWIVEL
48811	1J943-6-4	HOSE END,90° FEMALE SWIVEL,SEAL LOK	48873	6 PNLO-S	PLUG,TUBE END,ORFS
48812	1JC43-6-6	HOSE END,FEMALE SWIVEL,SEAL LOK	48874	6 PNTX-S	PLUG,FLARE TUBE
48813	1J143-6-6	HOSE END,90° FEMALE SWIVEL,SEAL LOK	48875	6 R6LO-S	RUN TEE,SWIVEL NUT,ORFS
48814	1J543-6-6	HOSE END,90° FEMALE SWIVEL,SEAL LOK	48877	4 F5OLO-SW/.025	CONNECTOR,STRAIGHT THREAD TO ORFS, W/.025 ORI
48815	1J743-6-6	HOSE END,45° FEMALE SWIVEL,SEAL LOK	48878	16-12 C5OLO-S	ELBOW,90°,STRAIGHT THREAD TO ORFS
48816	1J943-6-6	HOSE END,90° FEMALE SWIVEL,SEAL LOK	48879	8 C6LO-S	ELBOW,90°,SWIVEL NUT ORFS
48817	1JS43-6-8	HOSE END,FEMALE SWIVEL,SEAL LOK	48880	PD6-285	CAP,DIAGNOSTIC NIPPLE
48818	1J943-8-4	HOSE END,90° FEMALE SWIVEL,SEAL LOK	48881	6 HLO-S	UNION,ORFS
48819	1JC43-8-6	HOSE END,FEMALE SWIVEL,SEAL LOK	48883	8 P5ON-S	PLUG,STRAIGHT THREAD
48820	1J743-8-6	HOSE END,45° FEMALE SWIVEL,SEAL LOK	48884	8M18F87OMLO-S	CONNECTOR,METRIC,STRAIGHT THREAD TO ORFS
48821	1J943-8-6	HOSE END,90° FEMALE SWIVEL,SEAL LOK	48885	4 WGTX-WLN-S	CONNECTOR,BULKHEAD,FEMALE PIPE TO FLARE TUBE
48822	1JC43-8-8	HOSE END,FEMALE SWIVEL,SEAL LOK	48886	4 F5OLO-SW/2MM	CONNECTOR,MACHINED STRAIGHT THREAD TO ORFS
48823	1JS43-8-8	HOSE END,FEMALE SWIVEL,SEAL LOK	48887	4 CTX-S	ELBOW,90°,MALE PIPE TO FLARE TUBE
48824	1J143-8-8	HOSE END,90° FEMALE SWIVEL,SEAL LOK	48888	10-12 V5OLO-S	ELBOW,45°,STRAIGHT THREAD TO ORFS
48825	1J543-8-8	HOSE END,90° FEMALE SWIVEL,SEAL LOK	48890	4 S5OLO-S	BRANCH TEE,STRAIGHT THREAD TO ORFS
48826	1J743-8-8	HOSE END,45° FEMALE SWIVEL,SEAL LOK	48891	4 S6LO-S	BRANCH TEE,SWIVEL NUT TO ORFS
48827	1J943-8-8	HOSE END,90° FEMALE SWIVEL,SEAL LOK			
48828	1JC43-10-8	HOSE END,FEMALE SWIVEL,SEAL LOK			
48829	1JS43-10-8	HOSE END,FEMALE SWIVEL,SEAL LOK			
48830	1J743-10-8	HOSE END,45° FEMALE SWIVEL,SEAL LOK			
48831	1J943-10-8	HOSE END,90° FEMALE SWIVEL,SEAL LOK			
48833	1JC43-10-10	HOSE END,FEMALE SWIVEL,SEAL LOK			
48834	1J943-10-10	HOSE END,90° FEMALE SWIVEL,SEAL LOK			
48835	1JS43-10-12	HOSE END,FEMALE SWIVEL,SEAL LOK			
48836	1JC43-12-8	HOSE END,FEMALE SWIVEL,SEAL LOK			
48837	1JS43-12-8	HOSE END,FEMALE SWIVEL,SEAL LOK			
48838	1J743-12-8	HOSE END,45° FEMALE SWIVEL,SEAL LOK			
48839	1J943-12-8	HOSE END,90° FEMALE SWIVEL,SEAL LOK			
48840	1J943-12-10	HOSE END,90° FEMALE SWIVEL,SEAL LOK			
48841	1JC43-12-12	HOSE END,FEMALE SWIVEL,SEAL LOK			
48842	1JO43-12-12	HOSE END,MALE,SEAL LOK			
48843	1J143-12-12	HOSE END,90° FEMALE SWIVEL,SEAL LOK			
48844	1J543-12-12	HOSE END,90° FEMALE SWIVEL,SEAL LOK			
48845	1J743-12-12	HOSE END,45° FEMALE SWIVEL,SEAL LOK			
48846	1J943-12-12	HOSE END,90° FEMALE SWIVEL,SEAL LOK			

## Fitting Cross References (Continued)

Genie PN	Parker PN	Description	Genie PN	Parker PN	Description
48892	6 C6LO-S	ELBOW,90°,SWIVEL NUT ORFS	48938	8 R6LO-S	RUN TEE,SWIVEL NUT,ORFS
48893	6 F5OHAO-S	UNION,STRAIGHT THREAD	48939	8 S6LO-S	BRANCH TEE,SWIVEL NUT TO ORFS
48894	8 WLO-WLNL-S	UNION,BULKHEAD,ORFS	48940	8 WJLO-WLNL-S	RUN TEE, BULKHEAD,ORFS
48895	DT-370-MSMO-5	VALVE,CHECK	48941	8-4 TRLO-S	REDUCER,TUBE END TO SWIVEL,ORFS
48896	6 JLO-S	UNION,TEE,ORFS	48942	8-6 C5OLO-S	ELBOW,90°,STRAIGHT THREAD TO ORFS
48897	DT-750-MSMS-5	VALVE,CHECK	48943	8-6 F5OLO-S	CONNECTOR,STRAIGHT THREAD TO ORFS
48898	DT-750-MOMS-5	VALVE,CHECK	48944	8-8 FLO-S	CONNECTOR,MALE PIPE TO ORFS
48899	DT-620-MOMS-5	VALVE,CHECK	48945	8 FTX-S	CONNECTOR,MALE PIPE TO FLARE TUBE
48900	4-6 F5OLO-SW/.035	CONNECTOR,STRAIGHT THREAD TO ORFS, W/.035 ORI	48946	8-10 F5OLO-S	CONNECTOR,STRAIGHT THREAD TO ORFS
48902	16-1 AOE4G-S	ELBOW,90° LONG,FEMALE PIPE TO STRAIGHT THREAD	48947	8-12 C5OLO-S	ELBOW,90°,STRAIGHT THREAD TO ORFS
48903	1 FF-S	NIPPLE,PIPE	48948	8-12 F5OLO-S	CONNECTOR,STRAIGHT THREAD TO ORFS
48904	4 C5OLO-S	ELBOW,90°,STRAIGHT THREAD TO ORFS	48949	8-16 F5OLO-S	CONNECTOR,STRAIGHT THREAD TO ORFS
48905	4 F5OLO-S	CONNECTOR,STRAIGHT THREAD TO ORFS	48950	10 C5OLO-S	ELBOW,90°,STRAIGHT THREAD TO ORFS
48906	4 R5OLO-S	RUN TEE,STRAIGHT THREAD	48951	10 CC5OLO-S	ELBOW,90° LONG,STRAIGHT THREAD TO ORFS
48907	4 V5OLO-S	ELBOW,45°,STRAIGHT THREAD TO ORFS	48952	10 F5OLO-S	CONNECTOR,STRAIGHT THREAD TO ORFS
48908	4 R6LO-S	RUN TEE,SWIVEL NUT,ORFS	48953	10 R5OLO-S	RUN TEE,STRAIGHT THREAD
48909	4 WJLO-WLNL-S	RUN TEE, BULKHEAD,ORFS	48954	10 S5OLO-S	BRANCH TEE,STRAIGHT THREAD TO ORFS
48910	4 GTX-S W/.030	CONNECTOR,FEMALE PIPE TO FLARE TUBE	48955	10 R6LO-S	RUN TEE,SWIVEL NUT,ORFS
48911	4-6 C5OLO-S	ELBOW,90°,STRAIGHT THREAD TO ORFS	48956	10-4 TRLO-BL-S	REDUCER,TUBE END TO SWIVEL,ORFS
48912	4-6 F5OLO-S	CONNECTOR,STRAIGHT THREAD TO ORFS	48957	10-6 TRLO-BL-S	REDUCER,TUBE END TO SWIVEL,ORFS
48913	4-6 F5OLO-SW/.030	CONNECTOR,STRAIGHT THREAD TO ORFS, W/.030 ORI	48958	10-12 F5OLO-S	CONNECTOR,STRAIGHT THREAD TO ORFS
48914	4-8 F5OLO-S	CONNECTOR,STRAIGHT THREAD TO ORFS	48959	12 C5OLO-S	ELBOW,90°,STRAIGHT THREAD TO ORFS
48915	6 C5OLO-S	ELBOW,90°,STRAIGHT THREAD TO ORFS	48960	12 F5OLO-S	CONNECTOR,STRAIGHT THREAD TO ORFS
48916	6 F5OLO-S	CONNECTOR,STRAIGHT THREAD TO ORFS	48961	12 R5OLO-S	RUN TEE,STRAIGHT THREAD
48917	6 FF5OLO-S	CONNECTOR,LONG,STRAIGHT THREAD TO ORFS	48962	12 S5OLO-S	BRANCH TEE,STRAIGHT THREAD TO ORFS
48918	6 R5OLO-S	RUN TEE,STRAIGHT THREAD	48963	12 V5OLO-S	ELBOW,45°,STRAIGHT THREAD TO ORFS
48919	6 S5OLO-S	BRANCH TEE,STRAIGHT THREAD TO ORFS	48964	12 R6LO-S	RUN TEE,SWIVEL NUT,ORFS
48920	6 V5OLO-S	ELBOW,45°,STRAIGHT THREAD TO ORFS	48965	12 CLO-S	ELBOW,90°,MALE PIPE TO ORFS
48921	6 FLO-S	CONNECTOR,MALE PIPE TO ORFS	48966	12 FLO-S	CONNECTOR,MALE PIPE TO ORFS
48922	6-6 FLO-S	CONNECTOR,MALE PIPE TO ORFS	48967	12 JLO-S	UNION TEE,ORFS
48923	6 P5ON-S	PLUG,STRAIGHT THREAD	48968	12 WLO-WLNL-S	UNION,BULKHEAD,ORFS
48925	6 WELO-S	UNION,90° BULKHEAD,ORFS	48969	12 WJLO-WLNL-S	RUN TEE, BULKHEAD,ORFS
48926	6-4 C5OLO-S	ELBOW,90°,STRAIGHT THREAD TO ORFS	48970	12 WELO-WLNL-S	UNION,90° BULKHEAD W/NUT,ORFS
48927	6-4 F5OLO-S	CONNECTOR,STRAIGHT THREAD TO ORFS			
48928	6-4 V5OLO-S	ELBOW,45°,STRAIGHT THREAD TO ORFS			
48929	6-8 C5OLO-S	ELBOW,90°,STRAIGHT THREAD TO ORFS			
48930	6-8 F5OLO-S	CONNECTOR,STRAIGHT THREAD TO ORFS			
48931	6-10 F5OLO-S	CONNECTOR,STRAIGHT THREAD TO ORFS			
48932	8 C5OLO-S	ELBOW,90°,STRAIGHT THREAD TO ORFS			
48933	8 F5OLO-S	CONNECTOR,STRAIGHT THREAD TO ORFS			
48934	8 FF5OLO-S	CONNECTOR,LONG,STRAIGHT THREAD TO ORFS			
48935	8 R5OLO-S	RUN TEE,STRAIGHT THREAD			
48936	8 S5OLO-S	BRANCH TEE,STRAIGHT THREAD TO ORFS			
48937	8 V5OLO-S	ELBOW,45°,STRAIGHT THREAD TO ORFS			



## Fitting Cross References (Continued)

Genie PN	Parker PN	Description	Genie PN	Parker PN	Description
48971	12 G5G5JG5-S	TEE,FEMALE STRAIGHT THREAD	49612	PKT02586	O-RING KIT (ORFS FITTINGS)
48972	12 XHL6-S	ADAPTER, 37° MALE TO SWIVEL ORFS	49613	PKT06276	PLUG AND CAP KIT-SERVICE,ORFS
48973	12-1/2 F5OG-S	ADAPTER,FEMALE PIPE TO STRAIGHT THREAD	49728	10143-12-12	HOSE END, MALE PIPE
48974	12-10 C5OLO-S	ELBOW,90°,STRAIGHT THREAD TO ORFS	49729	16-1 F5OG-S	ADAPTER,FEMALE PIPE TO STRAIGHT THREAD
48975	12-10 F5OLO-S	CONNECTOR,STRAIGHT THREAD TO ORFS	49814	12-8 FLO-S	CONNECTOR,MALE PIPE TO ORFS
48976	12-16 C5OLO-S	ELBOW,90°,STRAIGHT THREAD TO ORFS	49829	DT-500-MOMF-5	VALVE,CHECK
48977	12-16 F5OLO-S	CONNECTOR,STRAIGHT THREAD TO ORFS	49831	881-12	HOSE,3/4 INCH ID
48978	12-16 V5OLO-S	ELBOW,45°,STRAIGHT THREAD TO ORFS	49834	16 JLO-S	UNION TEE,ORFS
48980	12-16 FLO-S	CONNECTOR,MALE PIPE TO ORFS	49838	12-8 TRLO-BL-S	REDUCER,TUBE END TO SWIVEL,ORFS
48983	16 C5OLO-S	ELBOW,90°,STRAIGHT THREAD TO ORFS	49840	8 JLO-S	UNION TEE,ORFS
48984	16 F5OLO-S	CONNECTOR,STRAIGHT THREAD TO ORFS	49844	10-8 TRLO-BL-S	REDUCER,TUBE END TO SWIVEL,ORFS
48985	16 V5OLO-S	ELBOW,45°,STRAIGHT THREAD TO ORFS	49854	8 P5ON-S	PLUG,STRAIGHT THREAD
48986	16 FLO-S	CONNECTOR,MALE PIPE TO ORFS	49855	1JC43-16-12	HOSE END,FEMALE SWIVEL,SEAL LOK
48988	16 CD45-S	ELBOW,45°,MALE TO FEMALE PIPE	49859	4 P5ON-S	PLUG,STRAIGHT THREAD
48989	12 CD45-S	ELBOW,45°,MALE TO FEMALE PIPE	49861	4 FF5OLO-S	CONNECTOR,LONG,STRAIGHT THREAD TO ORFS
48990	8 CD45-S	ELBOW,45°,MALE TO FEMALE PIPE	49867	12-3/4 F5OG-S	ADAPTER,FEMALE PIPE TO STRAIGHT THREAD
48991	16-12 FLO-S	CONNECTOR,MALE PIPE TO ORFS	51152	6 R6X-S	RUN TEE,SWIVEL NUT,ORFS
48992	16-12 V5OLO-S	ELBOW,45°,STRAIGHT THREAD TO ORFS	51153	6-4 TRTX-S	REDUCER,TUBE END TO SWIVEL,ORFS
48993	XV501-12	BALL VALVE	51154	4-4 GTX	CONNECTOR,FEMALE PIPE TO FLARE TUBE
48994	XV501-16	BALL VALVE	51264	881-12	HOSE,3/4 INCH ID
48995	XV510P-12	BALL VALVE	51265	8 JLO-S	UNION TEE,ORFS
48996	XV510P-16	BALL VALVE	51508	6 BTX-S	NUT,FLARE TUBE
48997	PD341	DIAGNOSTIC NIPPLE, STRAIGHT THREAD	51580	12-8 TRLO-BL-S	TUBE END REDUCER,ORFS
48998	PD 361	DIAGNOSTIC NIPPLE, STRAIGHT THREAD	51628	6 R6X-S	RUN TEE,SWIVEL NUT,ORFS
48999	DT-500-MOMS-5	VALVE,CHECK	51735	3/8 HHP	PLUG,PIPE THREAD
49201	10 V5OLO-S	ELBOW,45°,STRAIGHT THREAD TO ORFS	51803	1J943-6-8	HOSE END,90° FEMALE SWIVEL,SEAL LOK
49202	1JC43-12-10	HOSE END,FEMALE SWIVEL,SEAL LOK	53023	125HBL-5-4	FITTING,HOSE BARB TO MALE PIPE
49203	10-8 V5OLO-S	ELBOW,45°,STRAIGHT THREAD TO ORFS	53497	PKT02585	O-RING KIT
49205	6 F5OHAO-S	UNION,STRAIGHT THREAD	53499	1JC71-16-16	HOSE END,FEMALE SWIVEL,SEAL LOK
49207	PD34BTL	DIAGNOSTIC NIPPLE,SEAL-LOK SWIVEL	53500	3-904	O-RING,STRAIGHT THREAD,-4
49209	8M18F870MX-S	CONNECTOR,METRIC,STRAIGHT THREAD TO FLARE TUBE	53501	3-906	O-RING,STRAIGHT THREAD,-6
49212	8 WGTX-WLN-S	CONNECTOR,BULKHEAD,FEMALE PIPE TO FLARE TUBE	53502	3-908	O-RING,STRAIGHT THREAD,-8
49213	30682-8-8	HOSE END,FEMALE SWIVEL,JIC	53503	3-910	O-RING,STRAIGHT THREAD,-10
49216	831-8	HOSE,1/2 INCH ID			
49217	33982-8-8	HOSE END,90° FEMALE SWIVEL,JIC			
49219	PS-B-35	SLEEVE,NYLON,2.19" ID			
49418	4-6 V5OLO-S	ELBOW,45°,STRAIGHT THREAD TO ORFS			
49511	DT370-MOMS-5	VALVE,CHECK			
49512	1 DD-S	ELBOW,90°,FEMALE PIPE			
49513	1 FF-S	NIPPLE,PIPE			
49514	10 HP5ON-S	PLUG,STRAIGHT THREAD			
49515	12-16 CLO-S	ELBOW,90°,MALE PIPE TO ORFS			
49517	6 HP5ON-S	PLUG,STRAIGHT THREAD			
49519	16-12 F5OLO-S	CONNECTOR,STRAIGHT THREAD TO ORFS			
49520	4 VTX-S	ELBOW,45°,MALE PIPE TO FLARE TUBE			
49530	16 C6LO-S	ELBOW,90°,SWIVEL NUT ORFS			

## Fitting Cross References (Continued)

Genie PN	Parker PN	Description	Genie PN	Parker PN	Description
53535	3-912	O-RING, STRAIGHT THREAD, -12	61083	24 F5OLO-S	CONNECTOR, STRAIGHT THREAD TO ORFS
53536	4-PNLO-S	PLUG, TUBE END, ORFS	61086	20 R5OLO-S	RUN TEE, STRAIGHT THREAD
53537	6 PNLO-S	PLUG, TUBE END, ORFS	61090	24-20 F5OLO-S	CONNECTOR, STRAIGHT THREAD TO ORFS
53538	8 PNLO-S	PLUG, TUBE END, ORFS	61091	1J943-24-24	HOSE END, 90° FEMALE SWIVEL, SEAL LOK
53539	10 PNLO-S	PLUG, TUBE END, ORFS	61093	1J978-12-12	HOSE END, 90° FEMALE SWIVEL, JIC
53540	12 PNLO-S	PLUG, TUBE END, ORFS	61095	1JS43-20-16	HOSE END, FEMALE SWIVEL, SEAL LOK
53946	129HB-5-4	FITTING, 90° HOSE BARB TO MALE PIPE	61100	811-24	HOSE, 1 1/2 INCH ID
53951	8-1/4F50G-S	ADAPTER, FEMALE PIPE TO STRAIGHT THREAD	61130	1JS43-24-24	HOSE END, FEMALE SWIVEL, SEAL LOK
53980	6 S6LO-S	BRANCH TEE, SWIVEL NUT TO ORFS	61131	1JS78-12-12	HOSE END, FEMALE SWIVEL, SEAL LOK
54132	4 C6LO-S	ELBOW, 90°, SWIVEL NUT ORFS	61132	1J778-12-12	HOSE END, 45° FEMALE SWIVEL, JIC
54135	11343-16-16	HOSE END, MALE SWIVEL, PIPE	61152	139HB-6-4	ELBOW, 45°, BARB TO MALE PIPE
54283	8-10 C5OLO-S	ELBOW, 90°, STRAIGHT THREAD TO ORFS	61251	BV-0750	BALL VALVE
54428	8M18C870MLO-S	ELBOW, 90° METRIC, STRAIGHT THREAD TO ORFS	61259	4 CC5OLO-S	ELBOW, 90° LONG, STRAIGHT THREAD TO ORFS
54803	FS-F-16-10	SLEEVE, FIRE, .96" ID	61260	20-12 TRLO-BL	REDUCER, TUBE END TO SWIVEL, ORFS
54954	10143-2-4	HOSE END, MALE PIPE	61262	12 C6LO-S	ELBOW, 90°, SWIVEL NUT ORFS
55190	3/8 HP-S	PLUG, PIPE THREAD	61263	20 F5OHAO-S	UNION, STRAIGHT THREAD
55448	8 HLO-S	UNION, ORFS	61264	6-10 C5OLO-S	ELBOW, 90°, STRAIGHT THREAD TO ORFS
55839	6 F65OX-S	CONNECTOR, STRAIGHT THREAD TO 37° SWIVEL	61265	6 WNLO-WLNL-S	UNION, BULKHEAD 45°, ORFS
55968	10 C5OX-S	ELBOW, 90°, STRAIGHT THREAD TO FLARE TUBE	61268	4 WNLO-WLNL-S	UNION, BULKHEAD 45°, ORFS
56003	6 CC5OLO-S	ELBOW, 90° LONG, STRAIGHT THREAD TO ORFS	61269	4 WLO-WLNL-S	UNION, BULKHEAD, ORFS
56166	BV-0837	BALL VALVE, 90°	61272	12 AOEL6	ELBOW, 90°, STRAIGHT THREAD TO ORFS SWIVEL
56188	10143-8-6	HOSE END, MALE PIPE	61316	482TC-16	HOSE, 1 INCH ID
56233	2-011	O-RING, ORFS, -4	61321	6 JLO-S	UNION TEE, ORFS
56234	2-012	O-RING, ORFS, -6	61327	782-12	HOSE, 3/4 INCH ID
56235	2-014	O-RING, ORFS, -8	61328	881-24	HOSE, 1 1/2 INCH ID
56236	2-016	O-RING, ORFS, -10	61336	11943-20-24	HOSE END, 90° FLANGE HEAD
56237	2-018	O-RING, ORFS, -12	61345	12 WJLO-WLNL-S	RUN TEE, BULKHEAD, ORFS
56238	2-021	O-RING, ORFS, -16	61346	8 WNLO-WLNL-S 4	UNION, BULKHEAD 45°, ORFS
56352	6 WLNL-S	LOCKNUT, BULKHEAD	61569	33782-8-8	HOSE END, 45° FEMALE SWIVEL, JIC
56353	3J782-12-12	HOSE END, 45° FEMALE SWIVEL, SEAL LOK	61610	12 FF5OLO-S	CONNECTOR, LONG, STRAIGHT THREAD TO ORFS
56354	3J982-12-12	HOSE END, 90° FEMALE SWIVEL, SEAL LOK	61742	1/8 X 1.5 FFF	NIPPLE, PIPE
56604	10-8 F5OLO-S	CONNECTOR, STRAIGHT THREAD TO ORFS	63426	8 PNTX-S	PLUG, FLARE TUBE
56639	3JC82-10-10	HOSE END, FEMALE SWIVEL, SEAL LOK			
56640	3J982-10-10	HOSE END, 90° FEMALE SWIVEL, SEAL LOK			
56655	3JC82-8-10	HOSE END, FEMALE SWIVEL, SEAL LOK			
56676	10-8 C5OLO-S	ELBOW, 90°, STRAIGHT THREAD TO ORFS			
56776	471TC-6	HOSE, 3/8 INCH ID			
56777	471TC-8	HOSE, 1/2 INCH ID			
56789	811-16	HOSE, 1 INCH ID			
57884	3/8 FF	NIPPLE, PIPE			
59335	6 FNL-S	CAP, TUBE END			
59342	4 FNL-S	CAP, TUBE END			
59371	8 HP5ON-S	PLUG, STRAIGHT THREAD			
60653	BV-0751	BALL VALVE			
60806	125HB-3-4	FITTING, HOSE BARB TO MALE PIPE			
61064	5-1/4 F50G-S	ADAPTER, FEMALE PIPE TO STRAIGHT THREAD			
61079	4 WELO-WLNL-S	UNION, 90° BULKHEAD W/NUT, ORFS			
61080	6 WLO-WLNL-S	UNION, BULKHEAD, ORFS			

## Fitting Cross References (Continued)

Genie PN	Parker PN	Description	Genie PN	Parker PN	Description
64271	4 WLO-WLNL-S	UNION,BULKHEAD,ORFS	75631	801-6	HOSE,3/8 INCH ID
64272	6 WLO-WLNL-S	UNION,BULKHEAD,ORFS	75654	20 F5OLO-S	CONNECTOR,STRAIGHT THREAD TO ORFS
65776	8 F65OL-S	CONNECTOR,STRAIGHT THREAD TO ORFS SWIVEL	75655	1J943-20-20	HOSE END,90° FEMALE SWIVEL,SEAL LOK
65880	6001012	O-RING KIT	75656	881-20	HOSE,1-1/4 INCH ID
66154	6 WTX-WLNS	UNION,BULKHEAD,FLARE TUBE	75971	8 F5OHAO-S	UNION,STRAIGHT THREAD
66155	6 WETX-S	UNION,BULKHEAD 90°,FLARE TUBE	77307	1JB43-8-8	HOSE END,BULKHEAD,SEAL LOK
66156	6 WLN-S	BULKHEAD LOCKNUT	77309	8 WLNL-S	BULKHEAD LOCKNUT
66389	6-8 F5OX-S	CONNECTOR,STRAIGHT THREAD TO FLARE TUBE	77379	8M18C87OMX-S	ELBOW,90° METRIC,STRAIGHT THREAD TO FLARE TUBE
66392	6 R5OX-S	RUN TEE,STRAIGHT THREAD	77703	3J982-8-8	HOSE END,90° FEMALE SWIVEL,SEAL LOK
66396	811-12	HOSE,3/4 INCH ID	77711	801-10	HOSE,5/8 INCH ID
66829	H3174PP	CLAMP,TUBE	77758	12 WNLO-WLNL-S	UNION,BULKHEAD 45°,ORFS
67217	4 KLO-S	UNION,CROSS,ORFS	78091	6 C6X-S	ELBOW,90°,SWIVEL NUT TO FLARE TUBE
67339	10-6 F5OX-S	CONNECTOR,STRAIGHT THREAD TO FLARE TUBE	78684	30582-8-8B	HOSE END,PUSH LOK,MALE
67357	13943-8-6	HOSE END,90° FEMALE SWIVEL,JIC	78852	549-2	HOSE,1/8 INCH ID
67358	10 HP5ON-S	PLUG,STRAIGHT THREAD	78855	10657-4-2	HOSE END,FEMALE SWIVEL,JIC
67371	12 S6LO-S	BRANCH TEE,SWIVEL NUT TO ORFS	79138	PS-B-37	SLEEVE,NYLON,2.38" ID
67498	4 FNL-S	CAP, TUBE END	79476	1JS43-6-8	HOSE END,FEMALE SWIVEL,SEAL LOK
67906	DC-370-F0F0-5	VALVE,CHECK	79847	12-3/4 A0EG-S	ELBOW,90°,STRAIGHT THREAD TO FEMALE PIPE
69316	8 FLO-S	CONNECTOR,MALE PIPE TO ORFS	80044	8 CLO-S	ELBOW,90°,MALE PIPE TO ORFS
69333	H3174PP	CLAMP,HYDRAULIC HOSE	80502	8 F5OX-S	CONNECTOR,STRAIGHT THREAD TO FLARE TUBE
69503	4 F65OX-S	CONNECTOR,STRAIGHT THREAD TO 37° SWIVEL	80503	8 C5OX-S	ELBOW,90°,STRAIGHT THREAD TO FLARE TUBE
69775	8 FNL-S	CAP, TUBE END	81010	AS-B-27	SLEEVE,NYLON,1.63" ID
71038	1/4X1/4F3HG-S	ADAPTER,CONVERSION	83052	821-6	HOSE,3/8 INCH ID
71196	12-8 F5OLO-S	CONNECTOR,STRAIGHT THREAD TO ORFS	83053	821-8	HOSE,1/2 INCH ID
71383	1/4 CD45-S	ELBOW,45°,MALE TO FEMALE PIPE	83054	821-12	HOSE,3/4 INCH ID
72270	12FNL-S	CAP, TUBE END	83055	30682-6-6	HOSE END,FEMALE SWIVEL,JIC
73436	60C-4	SLEEVE,COMPRESSION	83056	30682-12-12	HOSE END,FEMALE SWIVEL,JIC
73437	61C-4	NUT,COMPRESSION	83057	33782-6-6	HOSE END,45° FEMALE SWIVEL,JIC
73438	33482-4-4B	HOSE END,PUSH LOK,MALE	83058	33982-6-6	HOSE END,90° FEMALE SWIVEL,JIC
73767	1CD-S	ELBOW,90°,MALE TO FEMALE PIPE	83060	33982-12-12	HOSE END,90° FEMALE SWIVEL,JIC
73768	20-16-F5OG5-S	ADAPTER,FEMALE PIPE TO STRAIGHT THREAD	83063	13743-4-4	HOSE END,45° FEMALE SWIVEL,JIC
73769	16-20 F5OLO-S	CONNECTOR,STRAIGHT THREAD TO ORFS			
74660	6-8 F42EDMLO-S	CONNECTOR,MALE BSPP TO ORFS			
74661	8-8 F42EDMLO-S	CONNECTOR,MALE BSPP TO ORFS			
75007	4 FLO-S	CONNECTOR,MALE PIPE TO ORFS			
75008	1/8 HP-S	PLUG,PIPE THREAD			
75014	1/2 HP-S	PLUG,PIPE THREAD			
75042	8 WELO-WLNL-S	UNION,90° BULKHEAD W/NUT,ORFS			
75043	3/4 FF-S	NIPPLE,PIPE			
75254	24 F5OHAO-S	UNION,STRAIGHT THREAD			
75255	12 F5OHAO-S	UNION,STRAIGHT THREAD			
75256	XV506P-24	BALL VALVE			
75574	4 WLNL-S	BULKHEAD LOCKNUT			
75612	8 WJLO-WLNL-S	RUN TEE, BULKHEAD,ORFS			
75613	12-8 F5OG5-S	ADAPTER,FEMALE PIPE TO STRAIGHT THREAD			
75614	8 CC5OLO-S	ELBOW,90° LONG,STRAIGHT THREAD TO ORFS			
75628	1JB43-4-4	HOSE END,BULKHEAD,SEAL LOK			

## Fitting Cross References (Continued)

Genie PN	Parker PN	Description	Genie PN	Parker PN	Description
83064	13743-8-8	HOSE END,45° FEMALE SWIVEL,JIC	89449	6 WJLO-WLNL-S	RUN TEE, BULKHEAD,ORFS
83065	13743-12-12	HOSE END,45° FEMALE SWIVEL,JIC	89489	4 WJMLO-S	BRANCH TEE,BULKHEAD,ORFS
83066	13943-8-8	HOSE END,90° FEMALE SWIVEL,JIC	89551	1JB43-6-6	HOSE END,BULKHEAD,SEAL LOK
83067	14143-6-6	HOSE END,90° FEMALE SWIVEL,JIC	89552	1JB43-8-8	HOSE END,BULKHEAD,SEAL LOK
83068	14143-8-8	HOSE END,90° FEMALE SWIVEL,JIC	89593	20 C5OLO-S	ELBOW,90°,STRAIGHT THREAD TO ORFS
83069	14143-12-12	HOSE END,90° FEMALE SWIVEL,JIC	94161	8-8 CLO-S	ELBOW,90°,MALE PIPE TO ORFS
83070	772-8	HOSE,1/2 INCH ID	94358	351TC-12	HOSE,3/4 INCH ID
83071	10671-8-8	HOSE END,FEMALE SWIVEL,JIC	94418	20 FLO-S	CONNECTOR,MALE PIPE TO ORFS
83072	10671-12-12	HOSE END,FEMALE SWIVEL,JIC	96358	12 TX-S	SLEEVE,FLARE TUBE
83073	13771-8-8	HOSE END,45° FEMALE SWIVEL,JIC	96359	12 BTX-S	NUT,FLARE TUBE
83074	13771-12-12	HOSE END,45° FEMALE SWIVEL,JIC	96397	8 F5OX-S	CONNECTOR,STRAIGHT THREAD TO FLARE TUBE
83075	13971-8-8	HOSE END,90° FEMALE SWIVEL,JIC	96398	12-8 F5OX-S	CONNECTOR,STRAIGHT THREAD TO FLARE TUBE
83076	13971-12-12	HOSE END,90° FEMALE SWIVEL,JIC	96402	10343-6-6	HOSE END,MALE,JIC
83077	14171-8-8	HOSE END,90° FEMALE SWIVEL,JIC	96407	30382-6-6B	HOSE END,MALE,JIC
83078	14171-12-12	HOSE END,90° FEMALE SWIVEL,JIC			
83080	13943-16-16	HOSE END,90° FEMALE SWIVEL,JIC			
83103	10671-16-12	HOSE END,FEMALE SWIVEL,JIC			
83104	10671-10-12	HOSE END,FEMALE SWIVEL,JIC			
83112	1JC71-8-8	HOSE END,FEMALE SWIVEL,SEAL LOK			
83113	1JS71-16-12	HOSE END,FEMALE SWIVEL,SEAL LOK			
83114	1JS71-10-12	HOSE END,FEMALE SWIVEL,SEAL LOK			
83115	1J971-8-8	HOSE END,90° FEMALE SWIVEL,SEAL LOK			
83116	1J171-8-8	HOSE END,90° FEMALE SWIVEL,SEAL LOK			
83117	1J771-8-8	HOSE END,45° FEMALE SWIVEL,SEAL LOK			
83127	1J543-6-8	HOSE END,90° FEMALE SWIVEL,JIC			
83128	1JC43-6-8	HOSE END,FEMALE SWIVEL,SEAL LOK			
87033	12-6 TRLO-S	REDUCER,TUBE END TO SWIVEL,ORFS			
87034	3J782-8-8	HOSE END,45° FEMALE SWIVEL,SEAL LOK			
87172	12 HP5ON-S	PLUG,STRAIGHT THREAD			
87185	8 WNLO-WLNL-S	UNION,BULKHEAD 45°,ORFS			
87246	4 C6X-S	ELBOW,90°,SWIVEL NUT TO FLARE TUBE			
87679	6 LHP-S	FLANGE SEAL FITTING, MALE			
87681	6PLS N0702	BONDED SEAL			
88100	SR88100	ADAPTER,OIL DRAIN,GM 3.0L			
88311	1JS43-20-20	HOSE END,FEMALE SWIVEL,SEAL LOK			
88353	20 V5OLO-S	ELBOW,45°,STRAIGHT THREAD TO ORFS			
88474	10081-20	Crimp Shell, 1.25"			
88475	1988-20-24	HOSE END,90° FLANGE HEAD			
88476	JS88-24-24	HOSE END,FEMALE SWIVEL,SEAL LOK			
88477	1JC88-20-20	HOSE END,FEMALE SWIVEL,SEAL LOK			
88478	811-20	HOSE,11/4 INCH ID			
88936	20-16 F5OLO-S	CONNECTOR,STRAIGHT THREAD TO ORFS			
88937	20-16 FLO-S	CONNECTOR,MALE PIPE TO ORFS			
88938	1JC88-16-16	HOSE END,FEMALE SWIVEL,SEAL LOK			
88939	1J988-16-16	HOSE END,90° FEMALE SWIVEL,ORFS			
88940	811-16	HOSE,1 INCH ID			
88944	1J988-20-20	HOSE END,90° FEMALE SWIVEL,ORFS			
89403	16 VLO-S	ELBOW,45°,MALE PIPE TO ORFS			

California Proposition 65



**WARNING**

Operating, servicing and maintaining this equipment can expose you to chemicals including engine exhaust, carbon monoxide, phthalates, and lead, which are known to the State of California to cause cancer and birth defects or other reproductive harm. These chemicals can be emitted from or contained in other various parts and systems, fluids and some component wear by-products. To minimize exposure, avoid breathing exhaust, do not idle the engine except as necessary, service your equipment and vehicle in a well-ventilated area and wear gloves or wash your hands frequently when servicing your equipment or vehicle and after operation. For more information go to [www.P65Warnings.ca.gov/passenger-vehicle](http://www.P65Warnings.ca.gov/passenger-vehicle).

Breathing diesel engine exhaust exposes you to chemicals known to the State of California to cause cancer and birth defects or other reproductive harm.

- Always start and operate the engine in a well-ventilated area.
- If in an enclosed area, vent the exhaust to the outside.
- Do not modify or tamper with the exhaust system.
- Do not idle the engine except as necessary.

For more information go to [www.P65warnings.ca.gov/diesel](http://www.P65warnings.ca.gov/diesel).

# Parts Manual

GTH-1056

*(from serial number GTH1010-14001 to GTH1014-19340)*

Part No.  
226647

Rev D2

**Genie**  
A TEREX BRAND