

Sunflower State Games
MAYB Topeka, KS
July 18-19, 2015



Gym List

Washburn University - 1700 SW College Ave, Topeka, KS 66621
Lee Arena #1 and #2; Whiting Gymnasium

Sport Zone - 3907 SW Burlingame, Topeka, KS 66609
Hamilton & Wilson Orthodontics Court
Gage Dental Group Court
CFS Engineers Court
Vision Bank Court

Hillcrest Community Center - 1800 SE 21st St, Topeka, KS 66607

Crestview Community Center - 4801 SW Shunga Dr., Topeka, KS 66614

Garfield Community Center - 1600 NE Quincy St., Topeka, KS 66608

Oakland Community Center – 801 NE Poplar St., Topeka, KS 66616

Christ the King Elementary School - 5973 SW 25th St, Topeka, KS 66614

Topeka Collegiate - 2200 SW Eveningside Dr.. Topeka, KS 66614

T-Shirts

In Order for your team to receive commemorative t-shirts, completed rosters and signed waivers must be submitted to the Sunflower State Games by 6:00 pm on Wednesday, July 16.

Please Note: All coaches must check in at Washburn University, Lee Arena (Room 220) at least one hour prior to your first scheduled game. Check-in will be open Friday, July 17 from 3:00-8:00 pm and beginning at 6:30 am on Saturday, July 18.

Brackets will be updated at www.sunflowergames.com upon conclusion of pool play

BRACKETS WILL BE UPDATED AT WWW.SUNFLOWERGAMES.COM AT CONCLUSION OF POOL PLAY
SPORTZONE: NO FOOD OR DRINKS ALLOWED IN VENUE: CONCESSIONS WILL BE PROVIDED.
GAMES AT TOPEKA COLLEGIATE, CHRIST THE KING, OAKLAND< GARFIELD, HILLCREST, CRESTVIEW:
NO FOOD OR BEVERAGES ALLOWED, ONLY BOTTLED WATER

Sunflower State Games
 MAYB Topeka, KS
 July 18-19, 2015



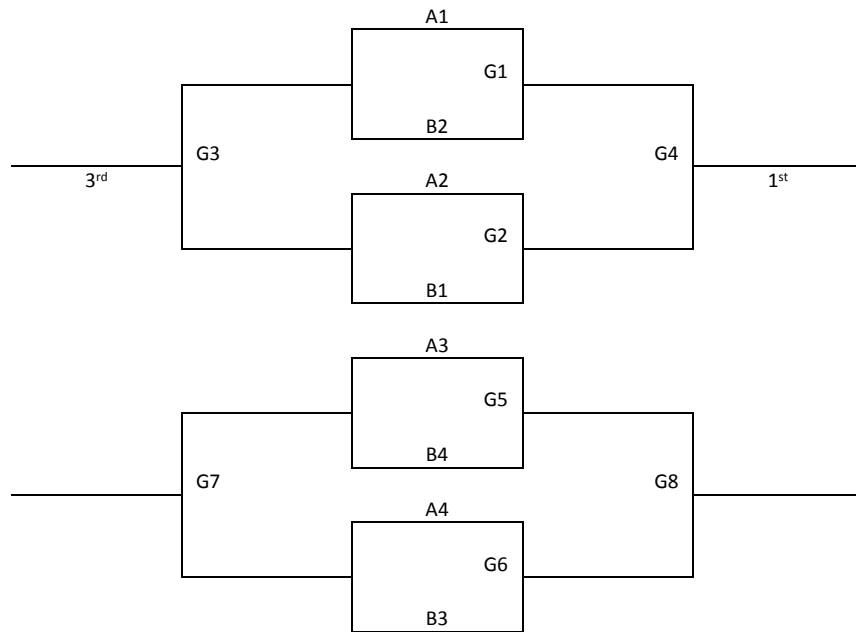
3rd/4th Grade Boys

Pool A	W	L	Pool B	W	L
1. Emporia Jr. Spartans			5. Kansas All Stars		
2. Hoop Dreams Academy			6. Topeka Wolves		
3. Kansas All Stars			7. SES Swish		
4. Cagers			8. Dynamite		

Top 2 teams from each pool advance to bracket A, others go to bracket B. Ties are broken with head to head for 2 way ties and coin flip for 3 way.

All Games played at the Sport Zone

Saturday	H & W Ortho
8:00	-
9:00	5-6
10:00	1-2
11:00	3-4
12:00	7-8
1:00	1-3
2:00	2-4
3:00	5-7
4:00	6-8
5:00	2-3
6:00	1-4
7:00	5-8
8:00	6-7
9:00	-
Sunday	H & W Ortho
8:00	G5
9:00	G6
10:00	G1
11:00	G2
12:00	G7
1:00	G8
2:00	G3
3:00	G4
4:00	-
5:00	-
6:00	-



BRACKETS WILL BE UPDATED AT WWW.SUNFLOWERGAMES.COM AT CONCLUSION OF POOL PLAY
 SPORTZONE: NO FOOD OR DRINKS ALLOWED IN VENUE: CONCESSIONS WILL BE PROVIDED.
 GAMES AT TOPEKA COLLEGIATE, CHRIST THE KING, OAKLAND< GARFIELD, HILLCREST, CRESTVIEW:
 NO FOOD OR BEVERAGES ALLOWED, ONLY BOTTLED WATER

Sunflower State Games
MAYB Topeka, KS
July 18-19, 2015



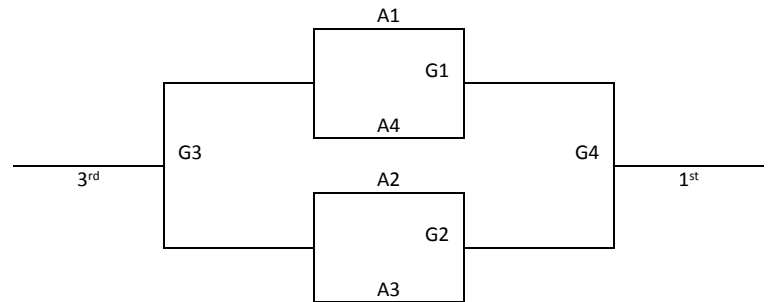
5th Grade Boys

	W	L
1. Emporia Jr. Spartans		
2. KS Power		
3. Blend 2022		
4. Hoop Dreams Academy		

All teams to bracket play
Tie Breaker – 2 way tie = Head to Head, 3 way tie = point differential

All Games played at the Sport Zone

Saturday	Oakland	Gage Dental	Vision Bank	CFS Engineers
8:00	-	-	-	-
9:00	-	-	-	-
10:00	-	-	-	-
11:00	-	-	-	-
12:00	-	-	-	-
1:00	-	-	-	-
2:00	1-2	-	-	3-4
3:00	-	-	-	-
4:00	2-4	-	1-3	-
5:00	-	-	-	-
6:00	2-3	-	1-4	-
7:00	-	-	-	-
8:00	-	-	-	-
9:00	-	-	-	-
Sunday	Oakland	Gage Dental	Vision Bank	CFS Engineers
8:00		-	-	-
9:00		G1	-	-
10:00		G2	-	-
11:00		-	-	-
12:00		-	-	-
1:00		G3	-	-
2:00		G4	-	-
3:00		-	-	-
4:00		-	-	-
5:00		-	-	-
6:00		-	-	-



BRACKETS WILL BE UPDATED AT WWW.SUNFLOWERGAMES.COM AT CONCLUSION OF POOL PLAY
SPORTZONE: NO FOOD OR DRINKS ALLOWED IN VENUE: CONCESSIONS WILL BE PROVIDED.
GAMES AT TOPEKA COLLEGIATE, CHRIST THE KING, OAKLAND< GARFIELD, HILLCREST, CRESTVIEW:
NO FOOD OR BEVERAGES ALLOWED, ONLY BOTTLED WATER

Sunflower State Games
MAYB Topeka, KS
July 18-19, 2015



6th Grade Boys D2

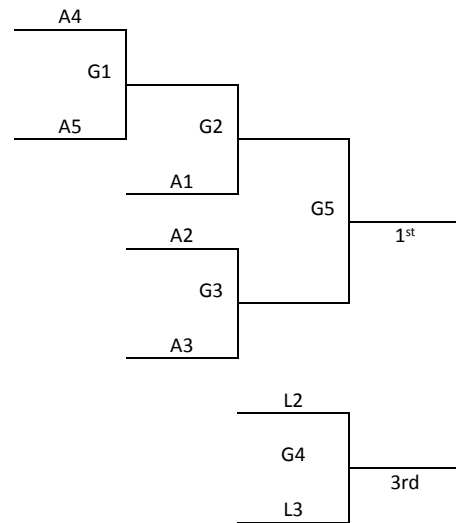
	<u>W</u>	<u>L</u>
1. Hoop Dreams Academy		
2. Indy Force		
3. SEK Bad Boys		
4. Burlingame Bearcats		
5. Topeka Lakers		

All teams to bracket play

Tie Breaker – 2 way tie = Head to Head, 3 way tie = point differential

Vision Bank games are played at the Sport Zone

Saturday	Garfield	Hillcrest	Collegiate	Vision Bank
8:00	-	-	-	-
9:00	3-5	-	-	-
10:00	1-4	-	-	-
11:00	2-5	-	-	-
12:00	1-3	-	-	-
1:00	2-4	-	-	-
2:00	1-5	-	-	-
3:00	-	-	-	-
4:00	2-3	-	-	-
5:00	4-5	-	-	-
6:00	1-2	-	-	-
7:00	3-4	-	-	-
8:00	-	-	-	-
9:00	-	-	-	-
Sunday	Garfield	Hillcrest	Collegiate	Vision Bank
8:00	-	G1	-	-
9:00	-	-	-	-
10:00	-	-	G2	G3
11:00	-	-	-	-
12:00	-	-	-	-
1:00	-	-	G4	G5
2:00	-	-	-	-
3:00	-	-	-	-
4:00	-	-	-	-
5:00	-	-	-	-
6:00	-	-	-	-



BRACKETS WILL BE UPDATED AT WWW.SUNFLOWERGAMES.COM AT CONCLUSION OF POOL PLAY
SPORTZONE: NO FOOD OR DRINKS ALLOWED IN VENUE: CONCESSIONS WILL BE PROVIDED.
GAMES AT TOPEKA COLLEGIATE, CHRIST THE KING, OAKLAND< GARFIELD, HILLCREST, CRESTVIEW:
NO FOOD OR BEVERAGES ALLOWED, ONLY BOTTLED WATER

Sunflower State Games
MAYB Topeka, KS
July 18-19, 2015



6th Grade Boys D1

Pool A	W	L	Pool B	W	L
1. Kansas Kings			4. River City Thunder		
2. Kansas Hoggs Elite			5. Kansas All-Stars		
3. Kansas Mavericks			6. Emporia Spartans		

Gage Dental Games played at the Sport Zone

Saturday	Crestview	Gage Dental	Whiting	Oakland
8:00	-	-	-	-
9:00	5-6	-	-	-
10:00	1-3	-	-	-
11:00	4-6	-	-	-
12:00	1-2	-	-	-
1:00	-	-	-	-
2:00	2-3	-	-	-
3:00	4-5	-	-	-
4:00	-	-	-	-
5:00	G1	-	-	-
6:00	G2	-	-	-
7:00	G3	-	-	-
8:00	-	-	-	-
9:00	-	-	-	-
Sunday	Crestview	Gage Dental	Whiting	Oakland
8:00	-	G4	G5	-
9:00	-	-	-	-
10:00	-	-	-	G8
11:00	-	G6	-	-
12:00	-	G7	-	-
1:00	-	-	-	-
2:00	-	-	-	-
3:00	-	G9	-	-
4:00	-	G10	-	-
5:00	-	-	-	-
6:00	-	-	-	-

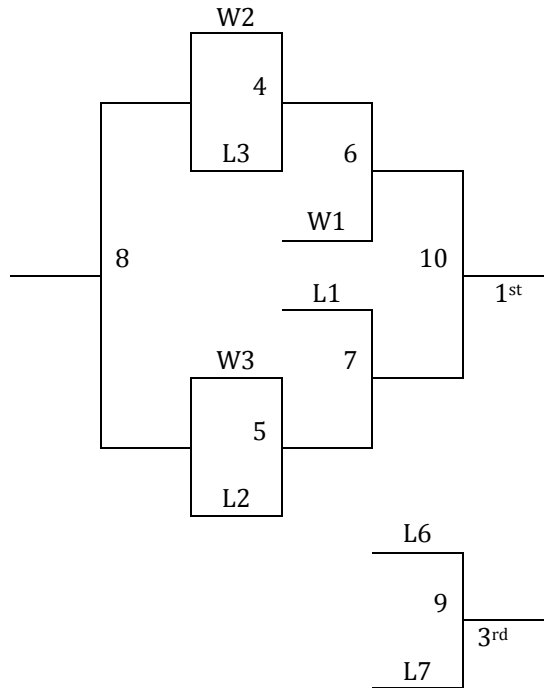
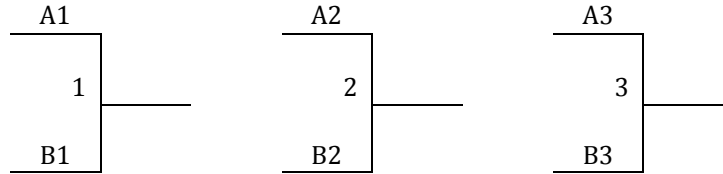
BRACKETS WILL BE UPDATED AT WWW.SUNFLOWERGAMES.COM AT CONCLUSION OF POOL PLAY
SPORTZONE: NO FOOD OR DRINKS ALLOWED IN VENUE: CONCESSIONS WILL BE PROVIDED.
GAMES AT TOPEKA COLLEGIATE, CHRIST THE KING, OAKLAND< GARFIELD, HILLCREST, CRESTVIEW:
NO FOOD OR BEVERAGES ALLOWED, ONLY BOTTLED WATER

Sunflower State Games
 MAYB Topeka, KS
 July 18-19, 2015



6th Grade D1 Boys Bracket Play

A1 Plays B1, A2 Plays B2, A3 Plays B3 to Determine Bracket Play



BRACKETS WILL BE UPDATED AT WWW.SUNFLOWERGAMES.COM AT CONCLUSION OF POOL PLAY
 SPORTZONE: NO FOOD OR DRINKS ALLOWED IN VENUE: CONCESSIONS WILL BE PROVIDED.
 GAMES AT TOPEKA COLLEGIATE, CHRIST THE KING, OAKLAND< GARFIELD, HILLCREST, CRESTVIEW:
 NO FOOD OR BEVERAGES ALLOWED, ONLY BOTTLED WATER

Sunflower State Games
MAYB Topeka, KS
July 18-19, 2015

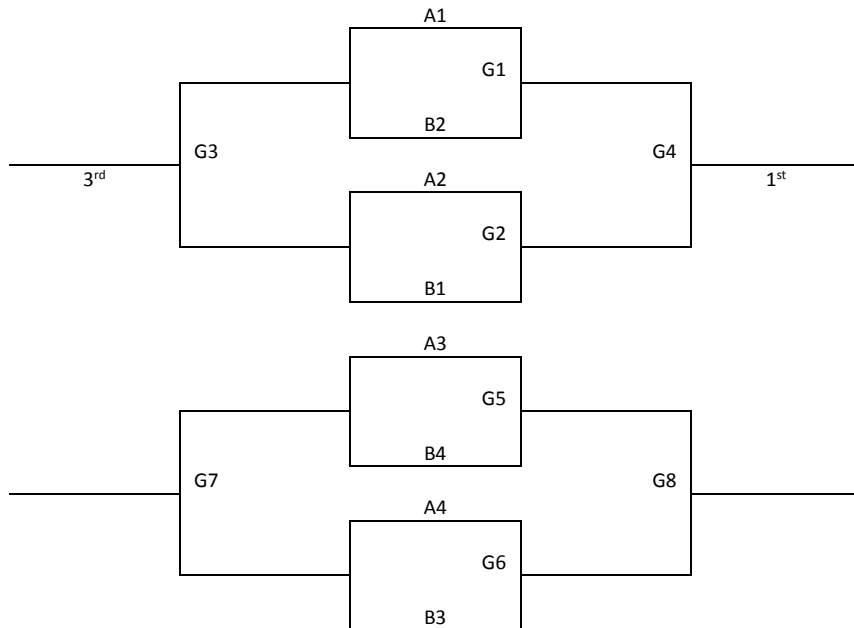


7th Grade Boys

Pool A	W	L	Pool B	W	L
1. Olathe Cats - White			5. Hiawatha Redhawks		
2. Aces			6. Kansas All-Stars		
3. Mavericks			7. Kansas Hoggs Elite		
4. JW Wildcats			8. Americus Dream		

Top 2 teams from each pool advance to bracket A, others go to bracket B. Ties are broken with head to head for 2 way ties and coin flip for 3 way.

Saturday	Hillcrest
8:00	-
9:00	7-8
10:00	5-6
11:00	1-2
12:00	3-4
1:00	5-7
2:00	6-8
3:00	1-3
4:00	2-4
5:00	5-8
6:00	1-4
7:00	2-3
8:00	6-7
9:00	-
Sunday	Hillcrest
8:00	-
9:00	G5
10:00	G6
11:00	G1
12:00	G2
1:00	G7
2:00	G8
3:00	G3
4:00	G4
5:00	-
6:00	-



BRACKETS WILL BE UPDATED AT WWW.SUNFLOWERGAMES.COM AT CONCLUSION OF POOL PLAY
SPORTZONE: NO FOOD OR DRINKS ALLOWED IN VENUE: CONCESSIONS WILL BE PROVIDED.
GAMES AT TOPEKA COLLEGIATE, CHRIST THE KING, OAKLAND< GARFIELD, HILLCREST, CRESTVIEW:
NO FOOD OR BEVERAGES ALLOWED, ONLY BOTTLED WATER

Sunflower State Games
 MAYB Topeka, KS
 July 18-19, 2015

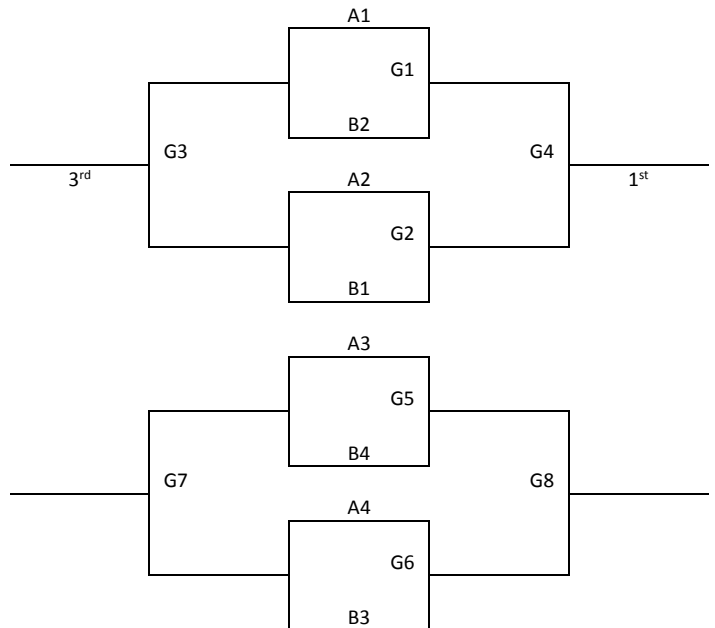


8th Grade Boys

Pool A	W	L	Pool B	W	L
1. Kansas Hoggs Elite			5. Wichita Kats		
2. Super Sonics			6. Topeka Vikings		
3. Silver Lake			7. Junction City		
4. Wichita Wizards			8. Hauf's Squad		

Top 2 teams from each pool advance to bracket A, others go to bracket B. Ties are broken with head to head for 2 way ties and coin flip for 3 way.

Saturday	Whiting	Lee 1	Christ the King	Collegiate
8:00	-	-	-	-
9:00	-	5-6	-	7-8
10:00	-	-	-	-
11:00	-	6-7	-	5-8
12:00	-	-	-	-
1:00	-	-	-	5-7
2:00	-	6-8	-	-
3:00	-	-	1-2	3-4
4:00	-	-	-	-
5:00	-	-	1-3	2-4
6:00	-	-	-	-
7:00	-	-	1-4	-
8:00	-	-	2-3	-
9:00	-	-	-	-
Sunday	Whiting	Lee 1	Christ the King	Collegiate
8:00	-	-	-	-
9:00	G5	-	-	-
10:00	G6	-	-	-
11:00	G1	-	-	-
12:00	G2	-	-	-
1:00	G7	-	-	-
2:00	G8	-	-	-
3:00	G3	-	-	-
4:00	G4	-	-	-
5:00	-	-	-	-
6:00	-	-	-	-



BRACKETS WILL BE UPDATED AT WWW.SUNFLOWERGAMES.COM AT CONCLUSION OF POOL PLAY
 SPORTZONE: NO FOOD OR DRINKS ALLOWED IN VENUE: CONCESSIONS WILL BE PROVIDED.
 GAMES AT TOPEKA COLLEGIATE, CHRIST THE KING, OAKLAND< GARFIELD, HILLCREST, CRESTVIEW:
 NO FOOD OR BEVERAGES ALLOWED, ONLY BOTTLED WATER

Sunflower State Games
 MAYB Topeka, KS
 July 18-19, 2015



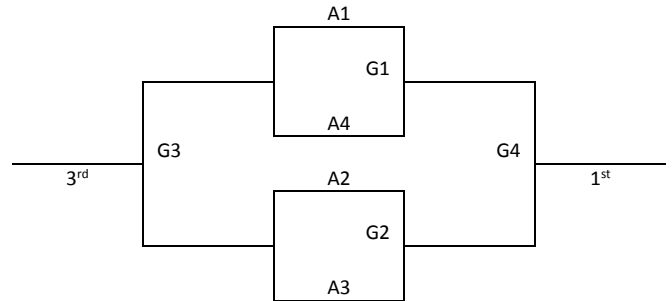
9th/10th Grade Boys

	W	L
1. NEK Boys		
2. Kansas All Stars		
3. Mid East All Stars		
4. Kansas Connect		

All teams to bracket play

Tie Breaker – 2 way tie = Head to Head, 3 way tie = point differential

Saturday	Lee 1	Lee 2	Christ the King	Collegiate	Vision Bank	Oakland
8:00	-	-	-	-	-	-
9:00	-	-	-	-	-	-
10:00	-	-	-	-	-	-
11:00	-	-	-	-	-	-
12:00	-	-	-	-	-	-
1:00	-	-	-	-	-	1-4
2:00	-	-	-	-	2-3	-
3:00	-	-	-	-	-	-
4:00	-	-	1-2	3-4	-	-
5:00	-	-	-	-	-	-
6:00	-	-	-	-	-	-
7:00	-	-	-	-	-	-
8:00	-	-	-	1-3	-	-
9:00	-	-	-	2-4	-	-
Sunday	Lee 1	Lee 2	Christ the King	Collegiate	Vision Bank	Oakland
8:00	-	-	-	-	-	-
9:00	-	-	-	-	-	-
10:00	G1	G2	-	-	-	-
11:00	-	-	-	-	-	-
12:00	-	-	-	-	-	-
1:00	-	-	-	-	-	-
2:00	G3	G4	-	-	-	-
3:00	-	-	-	-	-	-
4:00	-	-	-	-	-	-
5:00	-	-	-	-	-	-
6:00	-	-	-	-	-	-



BRACKETS WILL BE UPDATED AT WWW.SUNFLOWERGAMES.COM AT CONCLUSION OF POOL PLAY
 SPORTZONE: NO FOOD OR DRINKS ALLOWED IN VENUE: CONCESSIONS WILL BE PROVIDED.
 GAMES AT TOPEKA COLLEGIATE, CHRIST THE KING, OAKLAND< GARFIELD, HILLCREST, CRESTVIEW:
 NO FOOD OR BEVERAGES ALLOWED, ONLY BOTTLED WATER

Sunflower State Games
MAYB Topeka, KS
July 18-19, 2015



11th/12th Grade Boys

Pool A	W	L	Pool B	W	L
1. Topeka Rush			5. SEK Elite		
2. Topeka Vikings			6. Sabetha		
3. Silver Lake			7. LCL Elite		
4. Game Time			8. Blue River Bandits		

Pool C	W	L
9. Central KS Select		
10. Royal Valley Panthers		
11. All Frontier Attack		
12. Saints		

Top two teams in each pool to bracket A, others to bracket B
Tie Breaker – 2 way tie = Head to Head, 3 way tie = point differential

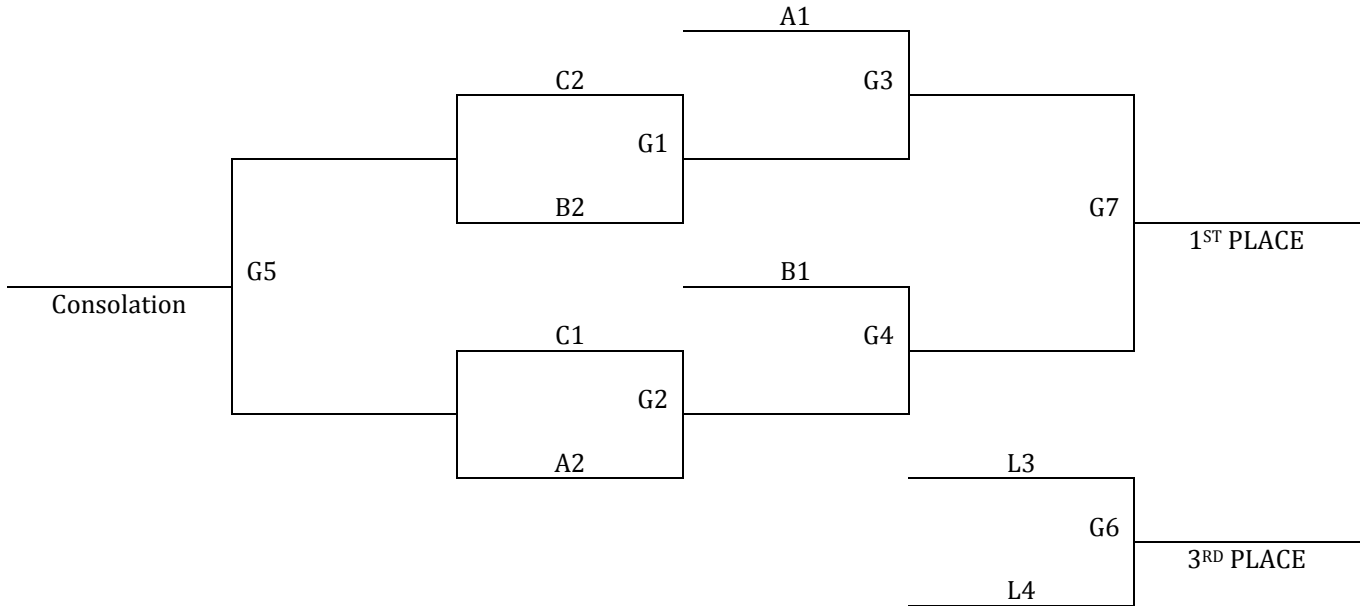
Saturday	Christ the King	Lee 1	Lee 2	Crestview
8:00	-	-	-	-
9:00	9-10	-	11-12	-
10:00	-	-	7-8	-
11:00	9-11	-	-	-
12:00	-	-	10-12	-
1:00	5-7	-	-	-
2:00	-	-	6-8	-
3:00	-	1-2	3-4	-
4:00	-	9-12	10-11	5-6
5:00	-	1-3	2-4	-
6:00	-	-	-	-
7:00	-	5-8	6-7	-
8:00	-	1-4	2-3	-
9:00	-	-	-	-
Sunday	Christ the King	Lee 1	Lee 2	Crestview
8:00	-	G8	G2	-
9:00	-	G1	G9	-
10:00	-	-	-	-
11:00	-	G5	G12	-
12:00	-	G10	G11	-
1:00	-	G3	G4	-
2:00	-	-	-	-
3:00	-	G14	G13	-
4:00	-	G7	G6	-
5:00	-	-	-	-
6:00	-	-	-	-

BRACKETS WILL BE UPDATED AT WWW.SUNFLOWERGAMES.COM AT CONCLUSION OF POOL PLAY
SPORTZONE: NO FOOD OR DRINKS ALLOWED IN VENUE: CONCESSIONS WILL BE PROVIDED.
GAMES AT TOPEKA COLLEGIATE, CHRIST THE KING, OAKLAND< GARFIELD, HILLCREST, CRESTVIEW:
NO FOOD OR BEVERAGES ALLOWED, ONLY BOTTLED WATER

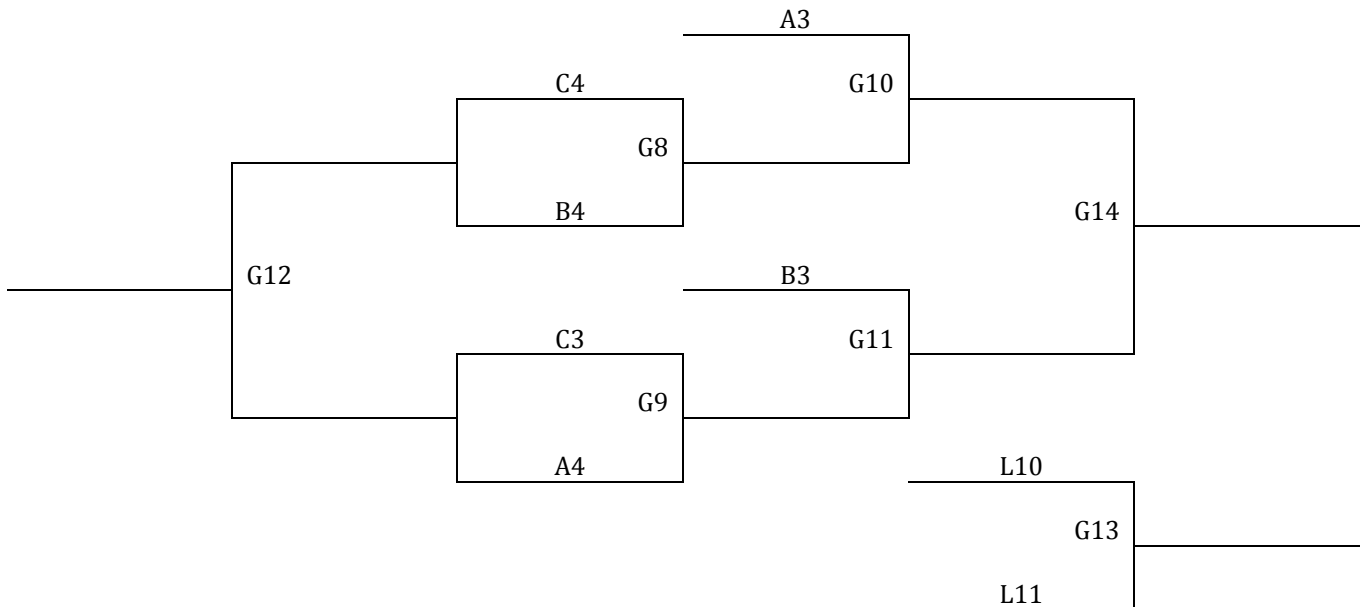
Sunflower State Games
 MAYB Topeka, KS
 July 18-19, 2015



A Bracket



B Bracket



BRACKETS WILL BE UPDATED AT WWW.SUNFLOWERGAMES.COM AT CONCLUSION OF POOL PLAY
 SPORTZONE: NO FOOD OR DRINKS ALLOWED IN VENUE: CONCESSIONS WILL BE PROVIDED.
 GAMES AT TOPEKA COLLEGIATE, CHRIST THE KING, OAKLAND< GARFIELD, HILLCREST, CRESTVIEW:
 NO FOOD OR BEVERAGES ALLOWED, ONLY BOTTLED WATER

Sunflower State Games
 MAYB Topeka, KS
 July 18-19, 2015



3rd/4th Grade Girls

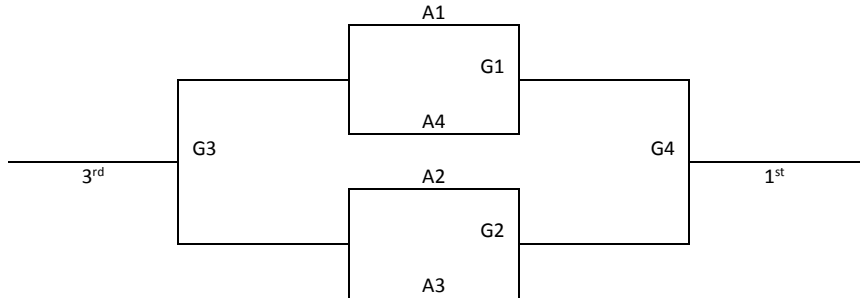
	<u>W</u>	<u>L</u>
1. KS NLHA Asics Thornton		
2. South Lady Cougars		
3. KS NLHA Asics Brown		
4. Team KC Hoops 2023		

All teams to bracket play

Tie Breaker – 2 way tie = Head to Head, 3 way tie = point differential

All Games played at the Sport Zone

Saturday	CFS Engineers	Gage Dental
8:00	-	-
9:00	-	-
10:00	-	-
11:00	-	1-2
12:00	-	3-4
1:00	-	-
2:00	-	-
3:00	-	1-4
4:00	-	2-3
5:00	-	-
6:00	-	-
7:00	-	1-3
8:00	-	2-4
9:00	-	-
Sunday	CFS Engineers	Gage Dental
8:00	-	-
9:00	-	-
10:00	G1	-
11:00	G2	-
12:00	-	-
1:00	-	-
2:00	G3	-
3:00	G4	-
4:00	-	-
5:00	-	-
6:00	-	-



BRACKETS WILL BE UPDATED AT WWW.SUNFLOWERGAMES.COM AT CONCLUSION OF POOL PLAY
 SPORTZONE: NO FOOD OR DRINKS ALLOWED IN VENUE: CONCESSIONS WILL BE PROVIDED.
 GAMES AT TOPEKA COLLEGIATE, CHRIST THE KING, OAKLAND< GARFIELD, HILLCREST, CRESTVIEW:
 NO FOOD OR BEVERAGES ALLOWED, ONLY BOTTLED WATER

Sunflower State Games
 MAYB Topeka, KS
 July 18-19, 2015



5th Grade Girls

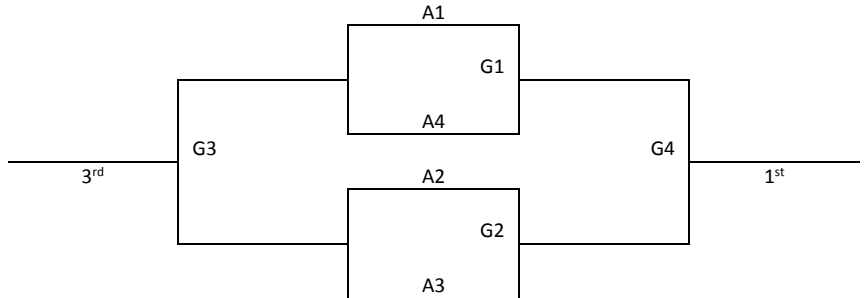
	<u>W</u>	<u>L</u>
1. CHAOS		
2. Emporia Sparkle		
3. Shooting Stars		
4. Topeka Xtreme		

All teams to bracket play

Tie Breaker – 2 way tie = Head to Head, 3 way tie = point differential

All Games played at the Sport Zone

Saturday	CFS Engineers	Gage Dental
8:00	-	-
9:00	-	1-4
10:00	-	2-3
11:00	-	-
12:00	-	-
1:00	-	1-3
2:00	-	2-4
3:00	-	-
4:00	-	-
5:00	-	1-2
6:00	-	3-4
7:00	-	-
8:00	-	-
9:00	-	-
Sunday	CFS Engineers	Gage Dental
8:00	G1	-
9:00	G2	-
10:00	-	-
11:00	-	-
12:00	G3	-
1:00	G4	-
2:00	-	-
3:00	-	-
4:00	-	-
5:00	-	-
6:00	-	-



BRACKETS WILL BE UPDATED AT WWW.SUNFLOWERGAMES.COM AT CONCLUSION OF POOL PLAY
 SPORTZONE: NO FOOD OR DRINKS ALLOWED IN VENUE: CONCESSIONS WILL BE PROVIDED.
 GAMES AT TOPEKA COLLEGIATE, CHRIST THE KING, OAKLAND< GARFIELD, HILLCREST, CRESTVIEW:
 NO FOOD OR BEVERAGES ALLOWED, ONLY BOTTLED WATER

Sunflower State Games
MAYB Topeka, KS
July 18-19, 2015

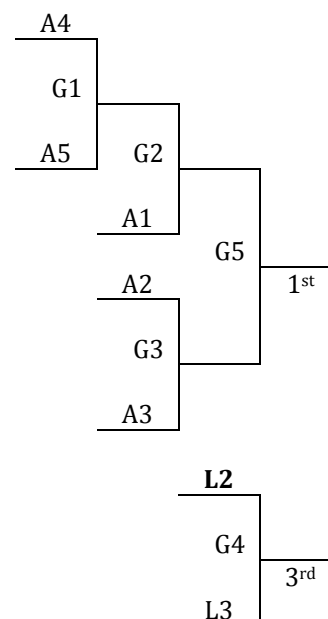


6th Grade Girls

Pool A	W	L	Pool B	W	L
1. NEK Girls			4. Lyon County Thunder		
2. KS All-Stars			5. Salina South Lady Cougars		
3. Game Time					

Vision Bank and CFS Engineers Games played at the Sport Zone

Saturday	Vision Bank	CFS Engineers	Collegiate	Crestview
8:00	-	-	-	-
9:00	1-2	3-4	-	-
10:00	-	-	-	-
11:00	1-3	2-5	-	-
12:00	-	-	-	-
1:00	1-4	3-5	-	-
2:00	-	-	-	-
3:00	-	-	-	-
4:00	-	-	-	-
5:00	1-5	2-4	-	-
6:00	-	-	-	-
7:00	-	2-3	-	4-5
8:00	-	-	-	-
9:00	-	-	-	-
Sunday	Vision Bank	CFS Engineers	Collegiate	Crestview
8:00	G1	-	-	-
9:00	-	-	-	-
10:00	-	-	-	-
11:00	G2	-	G3	-
12:00	-	-	-	-
1:00	-	-	-	-
2:00	-	-	-	-
3:00	G4	-	G5	-
4:00	-	-	-	-
5:00	-	-	-	-
6:00	-	-	-	-



BRACKETS WILL BE UPDATED AT WWW.SUNFLOWERGAMES.COM AT CONCLUSION OF POOL PLAY
SPORTZONE: NO FOOD OR DRINKS ALLOWED IN VENUE: CONCESSIONS WILL BE PROVIDED.
GAMES AT TOPEKA COLLEGIATE, CHRIST THE KING, OAKLAND< GARFIELD, HILLCREST, CRESTVIEW:
NO FOOD OR BEVERAGES ALLOWED, ONLY BOTTLED WATER

Sunflower State Games
MAYB Topeka, KS
July 18-19, 2015



7th Grade Girls

Pool A	W	L	Pool B	W	L
1. NLHA Asics Hackerott			4. Eclipse 7 th Black		
2. Kansas All-Stars			5. Lady Blazers		
3. Rooks County Rockets			6. Team KC Hoops 6 th 2021		

Vision Bank and CFS Engineers Games played at the Sport Zone

Saturday	Vision Bank	CFS Engineers	Crestview	Garfield	Collegiate
8:00	-	-	-	-	-
9:00	-	-	-	-	-
10:00	1-2	4-5	-	-	-
11:00	-	-	-	-	-
12:00	1-3	4-6	-	-	-
1:00	-	-	-	-	-
2:00	-	-	-	-	-
3:00	2-3	5-6	-	-	-
4:00	-	-	-	-	-
5:00	-	-	-	-	-
6:00	-	-	-	-	-
7:00	G1	-	-	-	-
8:00	G2	G3	-	-	-
9:00	-	-	-	-	-
Sunday	Vision Bank	CFS Engineers	Crestview	Garfield	Collegiate
8:00	-	-	-	-	-
9:00	G5	-	-	-	G4
10:00	-	-	-	-	-
11:00	-	-	G6	G7	-
12:00	G8	-	-	-	-
1:00	-	-	-	-	-
2:00	G10	-	-	-	G9
3:00	-	-	-	-	-
4:00	-	-	-	-	-
5:00	-	-	-	-	-
6:00	-	-	-	-	-

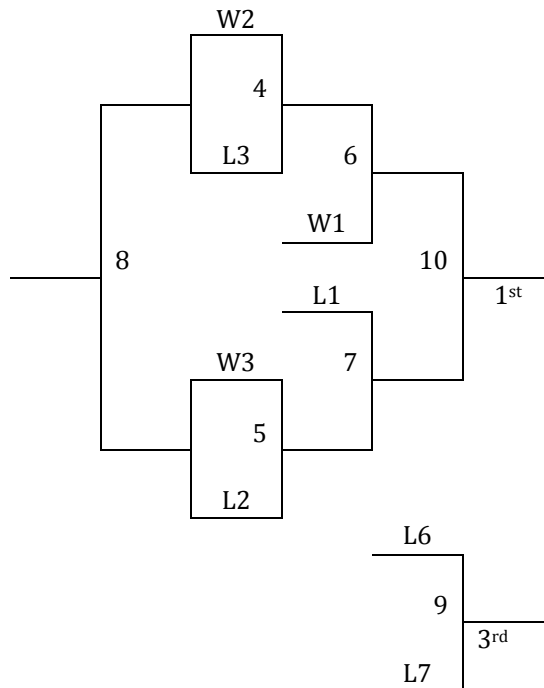
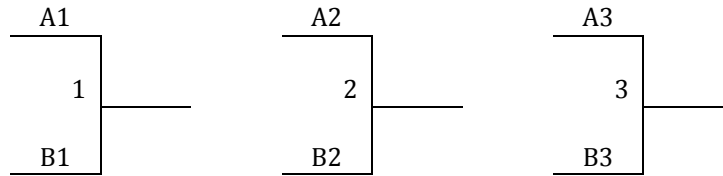
BRACKETS WILL BE UPDATED AT WWW.SUNFLOWERGAMES.COM AT CONCLUSION OF POOL PLAY
SPORTZONE: NO FOOD OR DRINKS ALLOWED IN VENUE: CONCESSIONS WILL BE PROVIDED.
GAMES AT TOPEKA COLLEGIATE, CHRIST THE KING, OAKLAND< GARFIELD, HILLCREST, CRESTVIEW:
NO FOOD OR BEVERAGES ALLOWED, ONLY BOTTLED WATER

Sunflower State Games
 MAYB Topeka, KS
 July 18-19, 2015



7th Grade Girls Bracket Play

A1 Plays B1, A2 Plays B2, A3 Plays B3 to Determine Bracket Play



BRACKETS WILL BE UPDATED AT WWW.SUNFLOWERGAMES.COM AT CONCLUSION OF POOL PLAY
 SPORTZONE: NO FOOD OR DRINKS ALLOWED IN VENUE: CONCESSIONS WILL BE PROVIDED.
 GAMES AT TOPEKA COLLEGIATE, CHRIST THE KING, OAKLAND< GARFIELD, HILLCREST, CRESTVIEW:
 NO FOOD OR BEVERAGES ALLOWED, ONLY BOTTLED WATER

Sunflower State Games
MAYB Topeka, KS
July 18-19, 2015



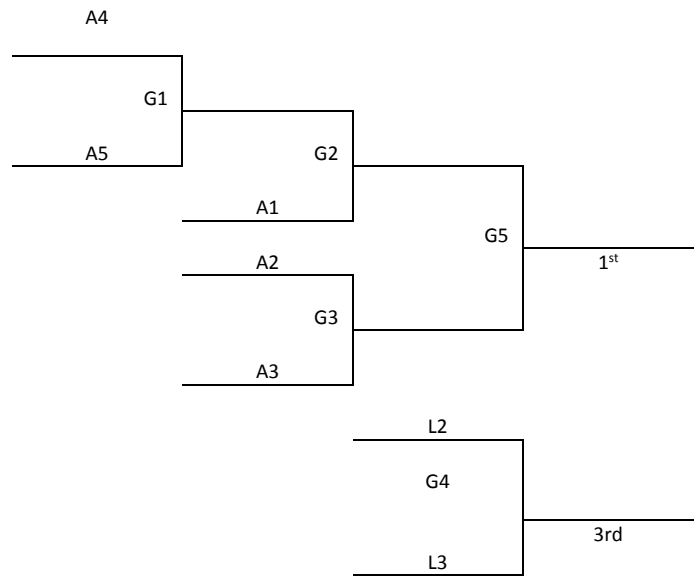
8th Grade Girls

	<u>W</u>	<u>L</u>
1. Burlington Bombers		
2. KS Power		
3. LC Grizzlies		
4. Kansas Chaos		
5. Lady Cats		

All teams to bracket play

Tie Breaker – 2 way tie = Head to Head, 3 way tie = point differential

Saturday	Crestview	Garfield	CFS Engineers	Oakland
8:00	-	-	-	-
9:00	-	-	-	3-5
10:00	-	-	-	1-4
11:00	-	-	-	2-5
12:00	-	-	-	1-3
1:00	-	-	-	-
2:00	-	-	-	-
3:00	-	-	-	2-4
4:00	-	-	1-5	-
5:00	-	-	-	2-3
6:00	-	-	4-5	-
7:00	-	-	-	1-2
8:00	-	-	-	3-4
9:00	-	-	-	-
Sunday	Crestview	Garfield	CFS Engineers	Oakland
8:00	-	-	-	-
9:00	-	-	-	G1
10:00	-	-	-	-
11:00	-	-	-	-
12:00	G2	G3	-	-
1:00	-	-	-	-
2:00	-	-	-	-
3:00	-	-	-	G4
4:00	-	-	-	G5
5:00	-	-	-	-
6:00	-	-	-	-



BRACKETS WILL BE UPDATED AT WWW.SUNFLOWERGAMES.COM AT CONCLUSION OF POOL PLAY
SPORTZONE: NO FOOD OR DRINKS ALLOWED IN VENUE: CONCESSIONS WILL BE PROVIDED.
GAMES AT TOPEKA COLLEGIATE, CHRIST THE KING, OAKLAND< GARFIELD, HILLCREST, CRESTVIEW:
NO FOOD OR BEVERAGES ALLOWED, ONLY BOTTLED WATER

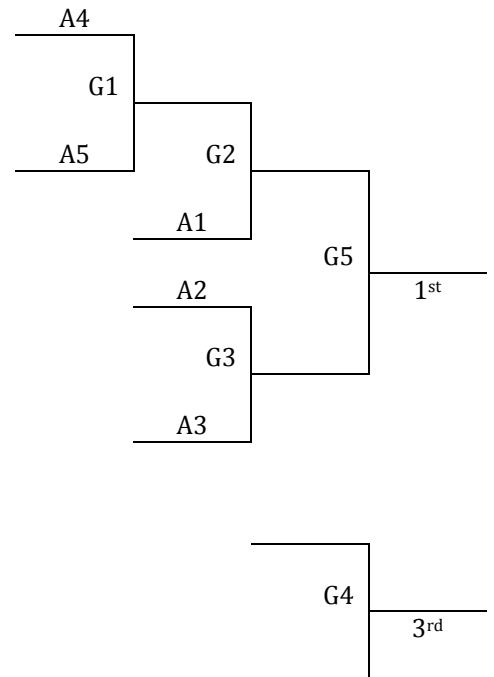
Sunflower State Games
MAYB Topeka, KS
July 18-19, 2015



9th/10th Grade Girls

Pool A	W	L
1. Kansas Sparq		
2. Lady Tigers		
3. Silver Lake Lady Eagles JV		
4. KC Precision Athletics		
5. GameTime		

Saturday	Crestview	Garfield	Oakland	Lee 1	Lee 2	Whiting
8:00	-	-	-	-	-	-
9:00	-	-	-	-	-	-
10:00	-	-	-	1-2	-	-
11:00	-	-	-	-	3-4	-
12:00	-	-	-	-	-	-
1:00	-	-	-	1-3	2-5	-
2:00	-	-	-	-	-	-
3:00	-	-	-	-	-	1-4
4:00	-	-	-	-	-	3-5
5:00	-	-	-	-	-	-
6:00	-	-	-	1-5	2-4	-
7:00	-	-	-	-	-	-
8:00	-	-	-	-	-	4-5
9:00	-	-	-	-	-	2-3
Sunday	Crestview	Garfield	Oakland	Lee 1	Lee 2	Whiting
8:00	-	-	G1	-	-	-
9:00	-	-	-	-	-	-
10:00	G2	G3	-	-	-	-
11:00	-	-	-	-	-	-
12:00	-	-	-	-	-	-
1:00	-	-	G4	-	-	-
2:00	-	-	G5	-	-	-
3:00	-	-	-	-	-	-
4:00	-	-	-	-	-	-
5:00	-	-	-	-	-	-
6:00	-	-	-	-	-	-



BRACKETS WILL BE UPDATED AT WWW.SUNFLOWERGAMES.COM AT CONCLUSION OF POOL PLAY
SPORTZONE: NO FOOD OR DRINKS ALLOWED IN VENUE: CONCESSIONS WILL BE PROVIDED.
GAMES AT TOPEKA COLLEGIATE, CHRIST THE KING, OAKLAND< GARFIELD, HILLCREST, CRESTVIEW:
NO FOOD OR BEVERAGES ALLOWED, ONLY BOTTLED WATER

Sunflower State Games
MAYB Topeka, KS
July 18-19, 2015



11th/12th Grade Girls D1

Pool A	W	L	Pool B	W	L
1. Team X			4. Twin Lakes All Stars		
2. Kansas Elite Red			5. Silver Lake Lady Eagles		
3. Khaos			6. Ohlde Elite Silver		

All teams to bracket play

Tie Breaker – 2 way tie = Head to Head, 3 way tie = point differential

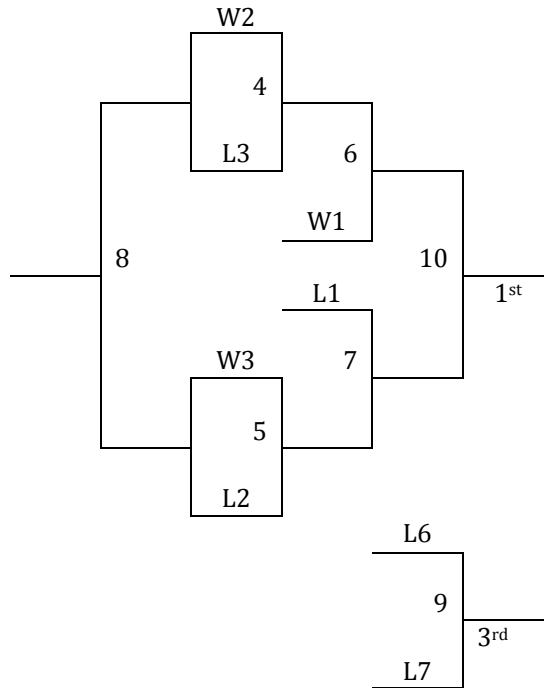
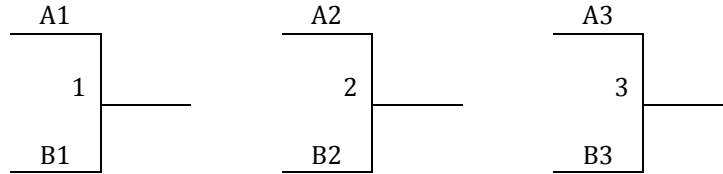
Saturday	Christ the King	Collegiate	Crestview	Garfield	Oakland
8:00	-	-	-	-	-
9:00	-	-	-	-	-
10:00	1-2	4-5	-	-	-
11:00	-	-	-	-	-
12:00	2-3	4-6	-	-	-
1:00	-	-	-	-	-
2:00	1-3	5-6	-	-	-
3:00	-	-	-	-	-
4:00	-	-	-	-	-
5:00	-	-	-	-	-
6:00	G1	G2	-	-	-
7:00	-	G3	-	-	-
8:00	-	-	-	-	-
9:00	-	-	-	-	-
Sunday	Christ the King	Collegiate	Crestview	Garfield	Oakland
8:00	-	-	G4	G5	-
9:00	-	-	-	-	-
10:00	-	-	-	-	-
11:00	-	-	-	-	-
12:00	-	-	-	-	G8
1:00	-	-	G6	G7	-
2:00	-	-	-	-	-
3:00	-	-	G9	G10	-
4:00	-	-	-	-	-
5:00	-	-	-	-	-
6:00	-	-	-	-	-

BRACKETS WILL BE UPDATED AT WWW.SUNFLOWERGAMES.COM AT CONCLUSION OF POOL PLAY
SPORTZONE: NO FOOD OR DRINKS ALLOWED IN VENUE: CONCESSIONS WILL BE PROVIDED.
GAMES AT TOPEKA COLLEGIATE, CHRIST THE KING, OAKLAND< GARFIELD, HILLCREST, CRESTVIEW:
NO FOOD OR BEVERAGES ALLOWED, ONLY BOTTLED WATER

Sunflower State Games
 MAYB Topeka, KS
 July 18-19, 2015



11th/12th Grade Girls D1 Bracket Play
A1 Plays B1, A2 Plays B2, A3 Plays B3 to Determine Bracket Play



BRACKETS WILL BE UPDATED AT WWW.SUNFLOWERGAMES.COM AT CONCLUSION OF POOL PLAY
 SPORTZONE: NO FOOD OR DRINKS ALLOWED IN VENUE: CONCESSIONS WILL BE PROVIDED.
 GAMES AT TOPEKA COLLEGIATE, CHRIST THE KING, OAKLAND< GARFIELD, HILLCREST, CRESTVIEW:
 NO FOOD OR BEVERAGES ALLOWED, ONLY BOTTLED WATER

Sunflower State Games
MAYB Topeka, KS
July 18-19, 2015



11th/12th Grade Girls D2

Pool A	W	L	Pool B	W	L
1. NCK Legacy			4. Waconda Lakers		
2. Holton Ladycats			5. Northern Heights Lady Cats		
3. Go Hard			6. Cobras		

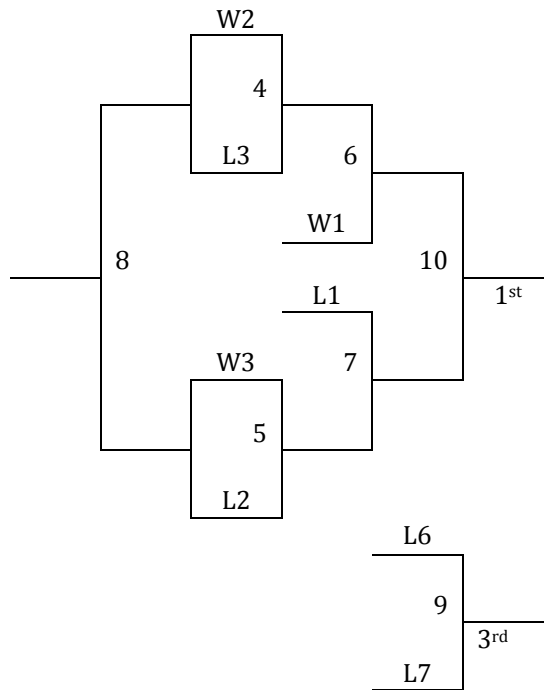
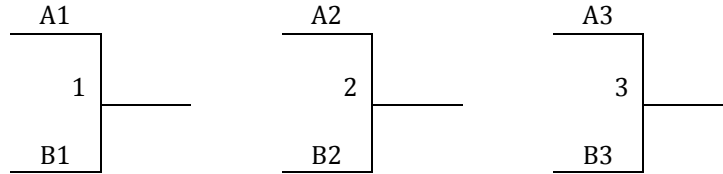
Saturday	Whiting	Crestview	Garfield	Oakland
8:00	-	-	-	-
9:00	1-2	-	-	-
10:00	4-5	-	-	-
11:00	1-3	-	-	-
12:00	4-6	-	-	-
1:00	2-3	-	-	-
2:00	5-6	-	-	-
3:00	-	-	-	-
4:00	-	-	-	-
5:00	G1	-	-	-
6:00	G2	-	-	-
7:00	G3	-	-	-
8:00	-	-	-	-
9:00	-	-	-	-
Sunday	Whiting	Crestview	Garfield	Oakland
8:00	-	-	-	-
9:00	-	G4	G5	-
10:00	-	-	-	-
11:00	-	-	-	G8
12:00	-	-	-	-
1:00	-	-	-	-
2:00	-	G6	G7	-
3:00	-	-	-	-
4:00	-	G9	G10	-
5:00	-	-	-	-
6:00	-	-	-	-

BRACKETS WILL BE UPDATED AT WWW.SUNFLOWERGAMES.COM AT CONCLUSION OF POOL PLAY
SPORTZONE: NO FOOD OR DRINKS ALLOWED IN VENUE: CONCESSIONS WILL BE PROVIDED.
GAMES AT TOPEKA COLLEGIATE, CHRIST THE KING, OAKLAND< GARFIELD, HILLCREST, CRESTVIEW:
NO FOOD OR BEVERAGES ALLOWED, ONLY BOTTLED WATER

Sunflower State Games
 MAYB Topeka, KS
 July 18-19, 2015



11th/12th Grade Girls D2 Bracket Play
A1 Plays B1, A2 Plays B2, A3 Plays B3 to Determine Bracket Play



BRACKETS WILL BE UPDATED AT WWW.SUNFLOWERGAMES.COM AT CONCLUSION OF POOL PLAY
 SPORTZONE: NO FOOD OR DRINKS ALLOWED IN VENUE: CONCESSIONS WILL BE PROVIDED.
 GAMES AT TOPEKA COLLEGIATE, CHRIST THE KING, OAKLAND< GARFIELD, HILLCREST, CRESTVIEW:
 NO FOOD OR BEVERAGES ALLOWED, ONLY BOTTLED WATER

Sunflowe
MAYB
July 1



Vision Bank, CFS Engineers, Gage Dental and H & W Ortho Games played at the Sport Zone

Saturday	Lee 1	Lee 2	Whiting	C the K	Collegiate	Vision Bank	CFS Engineers	Gage Dental	H & W Ortho	Hillcrest	Crestview	Garfield	Oakland
8:00													
9:00	8B	11/12B	11/12GD2	11/12B	8B	6G	6G	5G	3/4B	7B	6B D1	6B D2	8G
10:00	9/10G	11/12B	11/12GD2	11/12GD1	11/12GD1	7G	7G	5G	3/4B	7B	6B D1	6B D2	8G
11:00	8B	9/10G	11/12GD2	11/12B	8B	6G	6G	3/4G	3/4B	7B	6B D1	6B D2	8G
12:00	-	11/12B	11/12GD2	11/12GD1	11/12GD1	7G	7G	3/4G	3/4B	7B	6B D1	6B D2	8G
1:00	9/10G	9/10G	11/12GD2	11/12B	8B	6G	6G	5G	3/4B	7B	-	6B D2	9/10B
2:00	8B	11/12B	11/12GD2	11/12GD1	11/12GD1	9/10B	5B	5G	3/4B	7B	6B D1	6B D2	5B
3:00	11/12B	11/12B	9/10G	8B	8B	7G	7G	3/4G	3/4B	7B	6B D1	Open	8G
4:00	11/12B	11/12B	9/10G	9/10B	9/10B	5B	8G	3/4G	3/4B	7B	11/12B	6B D2	5B
5:00	11/12B	11/12B	11/12GD2	8B	8B	6G	6G	5G	3/4B	7B	6B D1	6B D2	8G
6:00	9/10G	9/10G	11/12GD2	11/12GD1	11/12GD1	5B	8G	5G	3/4B	7B	6B D1	6B D2	5B
7:00	11/12B	11/12B	11/12GD2	8B	11/12GD1	7G	6G	3/4G	3/4B	7B	Open	Open	8G
8:00	11/12B	11/12B	9/10G	8B	9/10B	7G	7G	3/4G	3/4B	7B	Open	Open	8G
9:00			9/10G		9/10B	Open	Open	Open	Open	Open	Open	Open	Open
Sunday	Lee 1	Lee 2	Whiting	C the K	Collegiate	Vision Bank	CFS Engineers	Gage Dental	H & W Ortho	Hillcrest	Crestview	Garfield	Oakland
8:00	11/12B	11/12B	6BD2	X	-	6G	5G	6BD1	3/4B	-	11/12GD1	11/12GD1	9/10G
9:00	11/12B	11/12B	8B	X	7G	7G	5G	5B	3/4B	7B	11/12GD2	11/12GD2	8G
10:00	G1	G2	8B	X	6BD2	6BD2	3/4G	5B	3/4B	7B	9/10G	9/10G	6BD2
11:00	11/12B	11/12B	8B	X	6G	6G	3/4G	6BD1	3/4B	7B	7G	7G	11/12GD2
12:00	11/12B	11/12B	8B	X	-	7G	5G	6BD1	3/4B	7B	8G	8G	11/12GD1
1:00	11/12B	11/12B	8B	X	6BD2	6BD2	5G	5B	3/4B	7B	11/12GD1	11/12GD1	9/10G
2:00	G3	G4	8B	X	7G	7G	3/4G	5B	3/4B	7B	11/12GD2	11/12GD2	9/10G
3:00	11/12B	11/12B	8B	X	6G	6G	3/4G	6BD1	3/4B	7B	11/12GD1	11/12GD1	8G
4:00	11/12B	11/12B	8B	X	Open	Open	Open	6BD1	Open	7B	11/12GD2	11/12GD2	8G

BRACKETS WILL BE UPDATED AT WWW.SUNFLOWERGAMES.COM AT CONCLUSION OF POOL PLAY

SPORTZONE: NO FOOD OR DRINKS ALLOWED IN VENUE: CONCESSIONS WILL BE PROVIDED.

GAMES AT TOPEKA COLLEGIATE, CHRIST THE KING, OAKLAND< GARFIELD, HILLCREST, CRESTVIEW: NO FOOD OR BEVERAGES ALLOWED, ONLY BOTTLED WATER