

HALFEN CAST-IN CHANNELS

Technical Product Information





We are one team. **We are Leviat.**

Leviat is the new name of CRH's construction accessories companies worldwide.

Under the Leviat brand, we are uniting the expertise, skills and resources of HALFEN and its sister companies to create a world leader in fixing, connecting and anchoring technology.

The products you know and trust, including the HALFEN Cast-in channels, will remain an integral part of Leviat's comprehensive brand and product portfolio. As Leviat, we can offer you an extended range of specialist products and services, greater technical expertise, a larger and more agile supply chain and better, faster innovation.

By bringing together CRH's construction accessories family as one global organisation, we are better equipped to meet the needs of our customers, and the demands of construction projects, of any scale, anywhere in the world.

This is an exciting change. Join us on our journey.

Read more about Leviat at [Leviat.com](https://www.leviat.com)



Our product brands include:

Ancon[®]


HALFEN

PLAKA



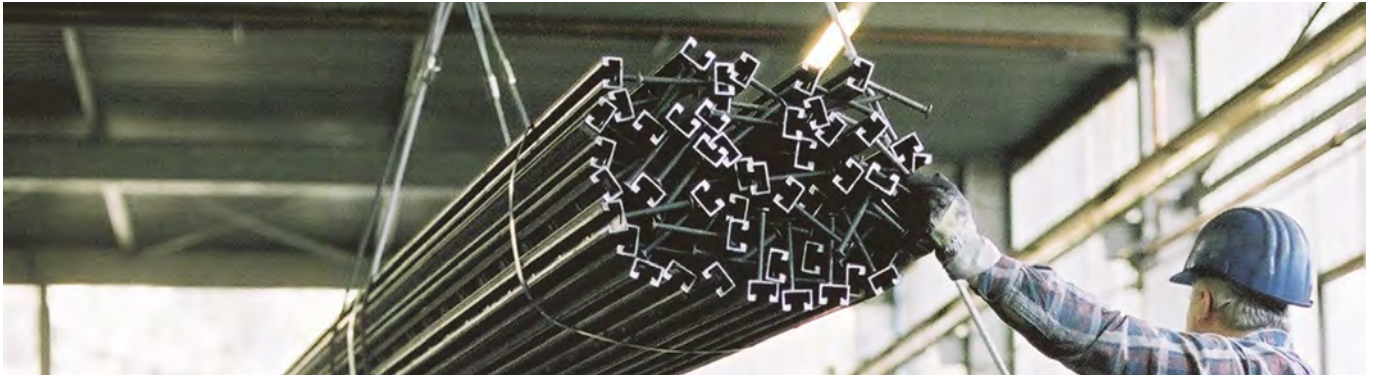
60
locations

sales in
30+
countries

3000
people worldwide

Imagine. Model. Make.

Leviat.com



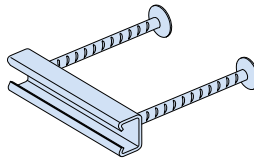
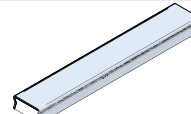
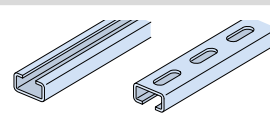
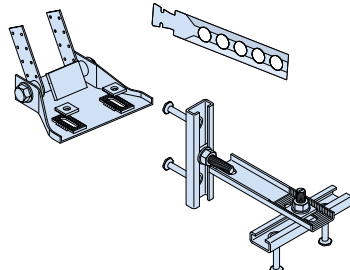
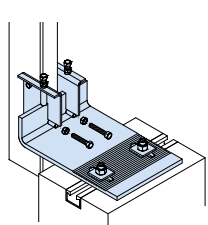
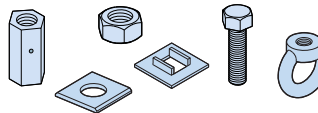
HALFEN CAST-IN CHANNELS

Content

Better safe than sorry – The right channel for each application	6–7	
1 General Information	8 – 11	
Sustainability, Quality, BIM	8	
Materials	9	
Corrosion protection	10	
Channel marking, identification	11	
2 Dimensioning	12–15	
Verification method	12	
Calculation basics, Verification flow chart	13	
HTA-CE/HZA Software	14-15	
Tender text example	15	
3 HALFEN HTA-CE Cast-in Channels	16–26	
The benefits at a glance	16	
Application examples	17	
Product range – overview channels and bolts	18-19	
HALFEN Bolts type HS	20-23	
HALFEN Bolts type HSR	24	
Dynamic loads, edge and bolt spacing HTA-CE standard lengths, HTA-CS Channels “curved solution”	25 26	
4 HALFEN HZA Cast-in Channels, serrated	27–33	
The benefits at a glance	27	
Application examples	28	
Product range – Overview channels and bolts	29	
HZA standard lengths, HZA-CS Channels “curved solution”	30	
HALFEN HZS Bolts	31-32	
Edge and bolt spacings	33	
5 HTA-CE/HZA Installation	34–37	
Installation aids and further channel parts	34	
Installation in pre-stressed concrete	35	
Channel installation to formwork or concrete	36	
Installing HALFEN Bolts and attached structures	37	

HALFEN CAST-IN CHANNELS

Content

6 HALFEN HGB Channels – handrail connection	38–51	
The benefits at a glance	38	
Application examples	39	
Regulations and standards	40	
Materials, corrosion protection	41	
Product range, ordering examples	42	
Installation	43	
Dimensioning with calculation example	44–51	
7 HALFEN HTU Channels	52–58	
HALFEN HTU-S cast-in channel for fixing Profiled Sheet Metal	52–54	
C-shaped channels with welded anchors	54–58	
8 HALFEN Framing Channels	59–61	
The benefits at a glance	59	
Type overview – an extract from the framing channel catalogues	60–61	
9 Roof and wall	62–74	
The right solution for each application	62	
Application examples	63	
HSF Rafter shoe	64	
HNA Timber fixing strip	65	
Brick tie anchor systems ML + BL	66–68	
HALFEN Anchor bolt systems	69	
Restraint ties	70–72	
HVL Precast connection	73	
HKW Corner guard	74	
10 HALFEN Curtain Wall System	75–87	
The benefits at a glance	75	
Application examples	76	
General, post and beam facade and modular facade	77	
Product range	78–79	
HALFEN Channel HCW 52/34	80–81	
HALFEN Cast-in channels with rebar	82	
Edge of slab anchors HCW-ED	83	
Dimensioning	84–85	
Top of slab brackets HCW-B1 and HCW-B2	86–87	
11 Accessories	88–91	
The benefits at a glance	88	
Nuts and washers	89	
Threaded rods, hexagonal head bolts, coupler sleeves, Ring nuts	90	
Rail clips	91	
Appendix		
Index	92	
References	93–94	
Contact, technical support	95–96	

BETTER SAFE THAN SORRY.

The right channel for every application.

Besides excellent adjustability, HALFEN Cast-in channels save considerable installation time. The result, faster construction and therefore cost saving. HALFEN Cast-in channels are the ideal basis for easy to install, adjustable connections. A foam strip filler stops the ingress of concrete into the channel. HALFEN Channels are suitable for various types of construction connections, for example; façades, precast

concrete elements, stadium seating, in civil engineering (fixing of tunnel signals), lift guide-rails, crane runway, pipe fixings under bridges.

HALFEN Fixing systems – The intelligent alternative to drilling and welding.



Features

- › adjustable
- › hot-rolled profile; suitable for dynamic loads
- › can be installed in concrete pressure and tensile-stress zones
- › with European Technical Assessment

Application

- › fixing of all types of building components

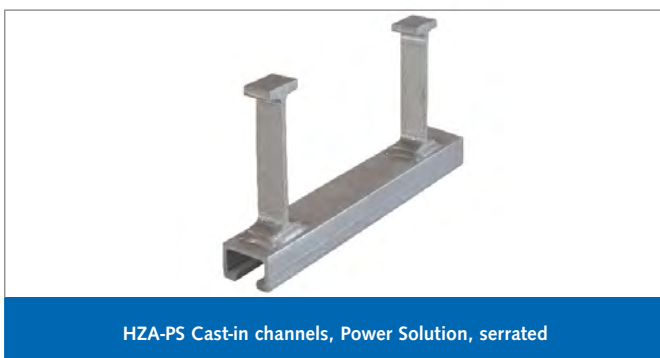


Features

- › adjustable, with load transmission in longitudinal channel direction
- › suitable for dynamic loads (applies for hot-rolled and serrated DYNAGRIP® channels)
- › can be installed in concrete pressure and tensile-stress zones
- › with European Technical Assessment

Application

- › fixing of all types of building components



Features

- › as DYNAGRIP® Channels
- › suitable for exceptional load cases caused by earthquake, plane crashes or explosions – for concrete crack widths up to 1.5 mm

Application

- › fixing of all types of building components in safety critical areas with high requirements for extraordinary impacts i.e. in nuclear power stations and similar facilities



Features

- › the special ribbed head anchor provides good load transfer in thin concrete elements

Application

- › fastening railings on the thin front face of balcony slabs

APPLICATION EXAMPLES HALFEN CAST-IN CHANNELS

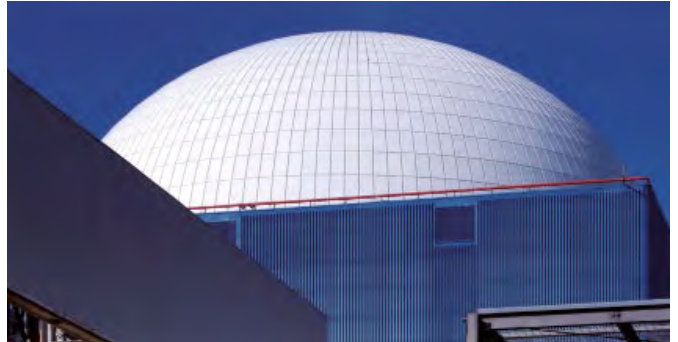
Areas of Application

CURTAIN WALL



Edificio Gas Natural, Barcelona/Spain

POWER STATIONS



Power station

BRIDGES



Passerelle Simone de Beauvoir, Paris/France

SPORTS



Rheinenergiestadion, Cologne/Germany

LIFTS AND ELEVATORS



Lift fixings, guide-rails

HTU TRAPEZOIDAL SHEET PANELS



UPS Air Hub, Cologne Bonn Airport, Germany

TUNNELS



Lötschberg-Base tunnel, Switzerland

ROOFS AND WALLS



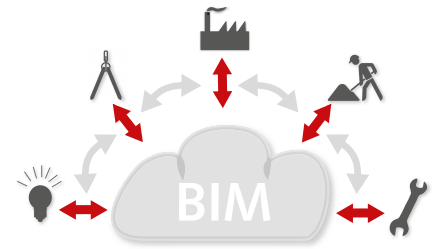
Timber pitched-roof construction

HALFEN CAST-IN CHANNELS

General

BIM

We already have considerable experience as a BIM partner and we successfully completed various projects using the BIM methodology. All Leviat engineers are trained to properly supervise this process. With a combination of wide experience and highly-trained engineers the increasing demand for BIM projects can be efficiently met. Examples of previous projects developed using BIM can be found at www.halfen.com ▷ [Service](#) ▷ [BIM](#) ▷ [BIM references](#).



Sustainability

An EPD® (Environmental Product Declaration) provides transparent and comparable ecological data which helps to evaluate the sustainability of a building. Already during the planning phase the data provided here is of great significance for architects and planners. The data provided also helps to ensure the high demands on the environmental performance of the building are met. Health Product Declarations (abbrev. =HPD) complement our information on sustainability. The HPDs include a list of all components and information on the health effects of these components.

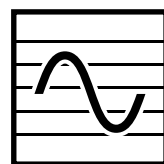
The new HPD for hot-dip galvanized HALFEN Cast-in channels helps to achieve additional points in the Leed v4 system.

www.halfen.com ▷ [Brochures](#) ▷ [Product declarations](#).



Fire-resistance / Material fatigue

A wide variety of HALFEN Cast-in channels are tested under fire exposure (according to TR 020 "Evaluation of anchorages in concrete with regard to fire resistance") as well as under cyclic loading. More details, characteristic resistances under fire exposure and fatigue resistances, are provided in the respective European Technical Assessments.



Approvals on the internet

Current valid approvals can be found at:

www.halfen.com ▷ [Brochures](#) ▷ [Approvals](#) ▷ [Fixing systems](#).

Or simply scan the code and select the required document.

Quality

Quality is the outstanding feature of our products. All materials and products are subjected to the most stringent quality control procedures. A quality inspection by the DNV GL* has verified that our quality management system meets the requirements of the ISO 9001:2015 standard.

*merger of DNV (Det Norske Veritas) and GL (Germanischer Lloyd)



Certificate no. 202384-2016-AQ-GER-DAkkS

HALFEN CAST-IN CHANNELS

General - all channels

Hot-dip galvanized FV:

Dipped in a galvanizing bath, with a temperature of approx. 460 °C; this is a method used primarily for open-profile channels.



Zinc galvanized GV:

HALFEN T-bolts are hot-dip galvanized or electrogalvanized with special coating. Both methods provide highest corrosion protection, all passivation processes are Cr(VI)-free."



HALFEN Cast-in channels, steel, hot-dip galvanized

	Steel		
	Material	Standard	Zinc coat
Channel profile	1.0038	EN 10 025-2 ①	FV: ≥ 55 µm
	1.0044	EN 10 025-2 ①	FV: ≥ 55 µm
Bolt anchor B6	Steel	EN 10263 or EN 10269	FV: ≥ 55 µm
Weld-on anchor	Steel	EN 10 025-2	FV: ≥ 55 µm

① Steel according to EN 10 025-2 and HALFEN specification

HALFEN Bolts, galvanized steel

	Steel		
	Material	Standard	Zinc coat
Bolt	Steel (Sc) 4.6 or (Sc) 8.8	EN ISO 898-1	FV: ≥ 50 µm GVs: ≥ 12 µm
Hexagonal nut	Steel (Sc) 5 or (Sc) 8	EN 898-2	FV: ≥ 50 µm GVs: ≥ 12 µm
Washer	Steel	EN ISO 7089, EN ISO 7093	FV: ≥ 50 µm GVs: ≥ 12 µm

Stainless steel (NR):

Chromium is the most important alloy element in stainless steel. A specific chromium concentration ensures the generation of a passive layer on the surface of the steel that protects the base material against corrosion. This explains the high corrosion resistance of stainless steel.



Materials:

- WB** = Steel, mill finished
- FV** = Steel, hot-dip galvanized
- GVs** = Steel, zinc galvanized (with special coating)
- A4** = Stainless steel 1.4571/1.4404/1.4578
- HCR** = Stainless steel 1.4547/1.4529

(Sc) = Strength class

HALFEN Cast-in channels, stainless steel

	Stainless steel		
	Material	Standard	Corrosion resistance class ②
Channel profile	1.4404 or 1.4571	EN 10 088	III
	1.4529 or 1.4547		V
Bolt anchor B6	1.4404, 1.4571 or 1.4578	EN 10 088	III
	1.4529 or 1.4547		V
Weld-on anchor	1.4404 or 1.4571	EN 10 088	III
	Steel ③		EN 10 025-2

HALFEN Bolts, stainless steel

	Stainless steel		
	Material	Standard	Corrosion resistance class ②
Bolt	1.4404, 1.4571, 1.4578 (A4-50 or A4-70④)	EN 3506-1 and EN 10 088	III
	1.4529, HCR-50	EN 3506-1	V
Hexagonal nut	1.4404, 1.4571, 1.4578 (A4-50, A4-70)	EN 3506-2 and EN 10 088	III
	1.4529, HCR-50		V
Washer	1.4404, 1.4571	EN 10 088	III
	1.4529 or 1.4547		V

② See EN 1993-1-4, table A.3






③ Corrosion protection of mill finished anchor, see page 10

④ Stainless steel, strength class 70 bolts are delivered subject to availability from stock in A4-70 grade material or in a higher FA-70 (1.4462) grade material. This applies to all HALFEN Bolts listed as A4-70 material in this catalogue

HALFEN CAST-IN CHANNELS

General - all channels

Corrosion protection requirements

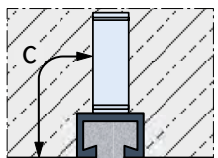
Material and applications				
	1	2	3	4
Description	Dry interior rooms	Damp interior rooms	Medium corrosion level	High level of corrosion
Definition of application areas	Anchor channels may only be used in components in indoor environments. For example: living and office spaces, schools, hospitals, commercial shops with the exception of wet rooms as in column 2.	Anchor channels may also be used in components in areas with normal humidity For example: kitchens, bathrooms and laundry-rooms in residential buildings. Exceptions; where permanent steam is present, and under water.	Anchor channels may also be used in outdoor environments (including industrial environments and coastal regions) or in wet rooms, if conditions are not especially aggressive (for example: continual immersion in sea water etc. as in column 4).	Anchor channels may also be used in exceptionally aggressive environments (for example: continual immersion in sea water) or in seawater spray zones, chloride environments in swimming pools or in environments with an extremely aggressive chemical atmosphere (for example: flue gas desulfurization plants or road tunnels where de-icer systems are in use).
Channel profile	 Steel 1.0038, 1.0044; EN 10025 Hot-dip galvanized $\geq 55\mu\text{m}$ ⑥	Steel 1.0038, 1.0044; EN 10025 Hot-dip galvanized $\geq 55\mu\text{m}$ ⑥ Stainless steel 1.4307, 1.4567, 1.4541; EN 10088	Stainless steel 1.4404, 1.4571, 1.4062, 1.4162, 1.4362 EN 10088	Stainless steel 1.4462 ②, 1.4529, 1.4547 EN 10088
Anchor	 Steel 1.0038, 1.0214, 1.0401, 1.1132, 1.5525; EN 10263, EN 10269 Hot-dip galvanized $55\mu\text{m}$ ⑥	Steel 1.0038, 1.0214, 1.0401, 1.1132, 1.5525; EN 10263, EN 10269 Hot-dip galvanized $\geq 55\mu\text{m}$ ⑥ Stainless steel 1.4307, 1.4567, 1.4541; EN 10088	Stainless steel 1.4404, 1.4571, 1.4362, 1.4578 EN 10088 Mill finish, 1.0038 ③	
Special HALFEN Bolts with shaft and bolts in accordance with EN ISO 4018	 Steel strength class 4.6/8.8 EN ISO 898-1 Zinc galvanized $\geq 5\mu\text{m}$ ④	Steel strength class 4.6 / 8.8; EN ISO 898-1, Hot-dip galvanized $\geq 50\mu\text{m}$ ① ⑤ Stainless steel, strength class 50, 70 1.4307, 1.4567, 1.4541 EN ISO 3506-1	Stainless steel Strength class 50, 70 1.4404, 1.4571, 1.4362, 1.4578 EN ISO 3506-1	Stainless steel Strength class 50, 70 1.4462 ②, 1.4529, 1.4547 EN ISO 3506-1
Washers EN ISO 7089 and EN ISO 7093-1 Product classification A, 200 HV	 Steel EN 10025 Zinc galvanized $\geq 5\mu\text{m}$ ④	Steel EN 10025 Hot-dip galvanized $\geq 50\mu\text{m}$ ① ⑤ Stainless steel Steel grade A2, A3; EN ISO 3506-1	Stainless steel Steel grade A4, A5 EN ISO 3506-1	Stainless steel 1.4462 ②, 1.4529, 1.4547 EN ISO 3506-1
Hexagonal nut EN ISO 4032	 Steel strength class 5/8 EN ISO 898-2 Zinc galvanized $\geq 5\mu\text{m}$ ④	Steel strength class 5/8 EN ISO 898-2 Hot-dip galvanized $\geq 50\mu\text{m}$ ① ⑤ Stainless steel, strength class 70, 80 Steel grade A2, A3 EN ISO 3506-2	Stainless steel Strength class 70, 80 Steel grade A4, A5 EN ISO 3506-2	Stainless steel Strength class 70, 80 1.4462 ②, 1.4529, 1.4547 EN ISO 3506-2
① or zinc galvanized with special coating $\geq 12\mu\text{m}$ ② 1.4462 not suitable for swimming baths ③ Steel in accordance with EN 10025, 1.0038 not for anchor channels 28/15 and 38/17			④ Zinc galvanized in accordance with EN ISO 4042 ⑤ Hot-dip galvanized in accordance with EN ISO 10684 ⑥ Hot-dip galvanized in accordance with EN ISO 1461	

HALFEN Channels (NR) mill finish welded-on anchors

Corrosion protection of the mill finished weld-on anchor is based on the following concrete cover c:

Concrete cover c [mm]					
	30	35	40	50	60
Profile HTA-CE	-	40/22P	52/34	55/42	72/48
	-	40/25	54/33	-	-
	-	-	50/30P	-	-
	-	-	49/30	-	-
Profile HZA	38/23	41/22	53/34	64/44	-

The minimum concrete cover depends on local environmental conditions and bid specifications.



Concrete cover c

HALFEN Channels (NR) made completely in stainless steel

The HALFEN Cast-in channels "entirely of stainless steel" are not restricted to any minimum concrete cover as no relevant corrosion occurs.

Areas of application

- > bridge and tunnel construction (fastening of pipes, etc.)
- > construction of sewage treatment plants (fixing of spillovers)
- > chemical industry (installations exposed to aggressive substances)
- > ventilated façades, e.g. masonry renders
- > also for all structural reinforced concrete elements with higher demands on the concrete cover

HALFEN Channels made in stainless steel – HCR

The high corrosion resistance (HCR) HALFEN Cast-in channels are mandatory when high concentrations of chlorides, sulphur and nitrogen oxides are present.

Areas of application

- > road tunnels
- > structures in salt water
- > indoor swimming pools
- > areas not routinely cleaned
- > poorly ventilated parking garages
- > in narrow, major city streets

HALFEN CAST-IN CHANNELS

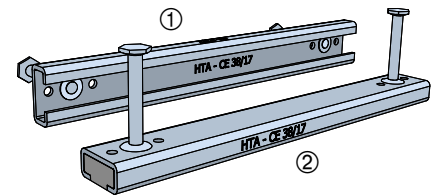
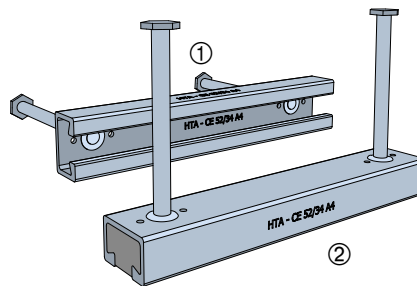
General - all channels

Identification

Channel material	Type identification example
1.0038 / 1.0044	HTA-CE 38/17 HZA 53/34
A4: 1.4404 / 1.4571	HTA-CE 38/17 - A4 HZA 53/34 - A4
HCR: 1.4529 / 1.4547	HTA-CE 38/17 - HCR

Type identification

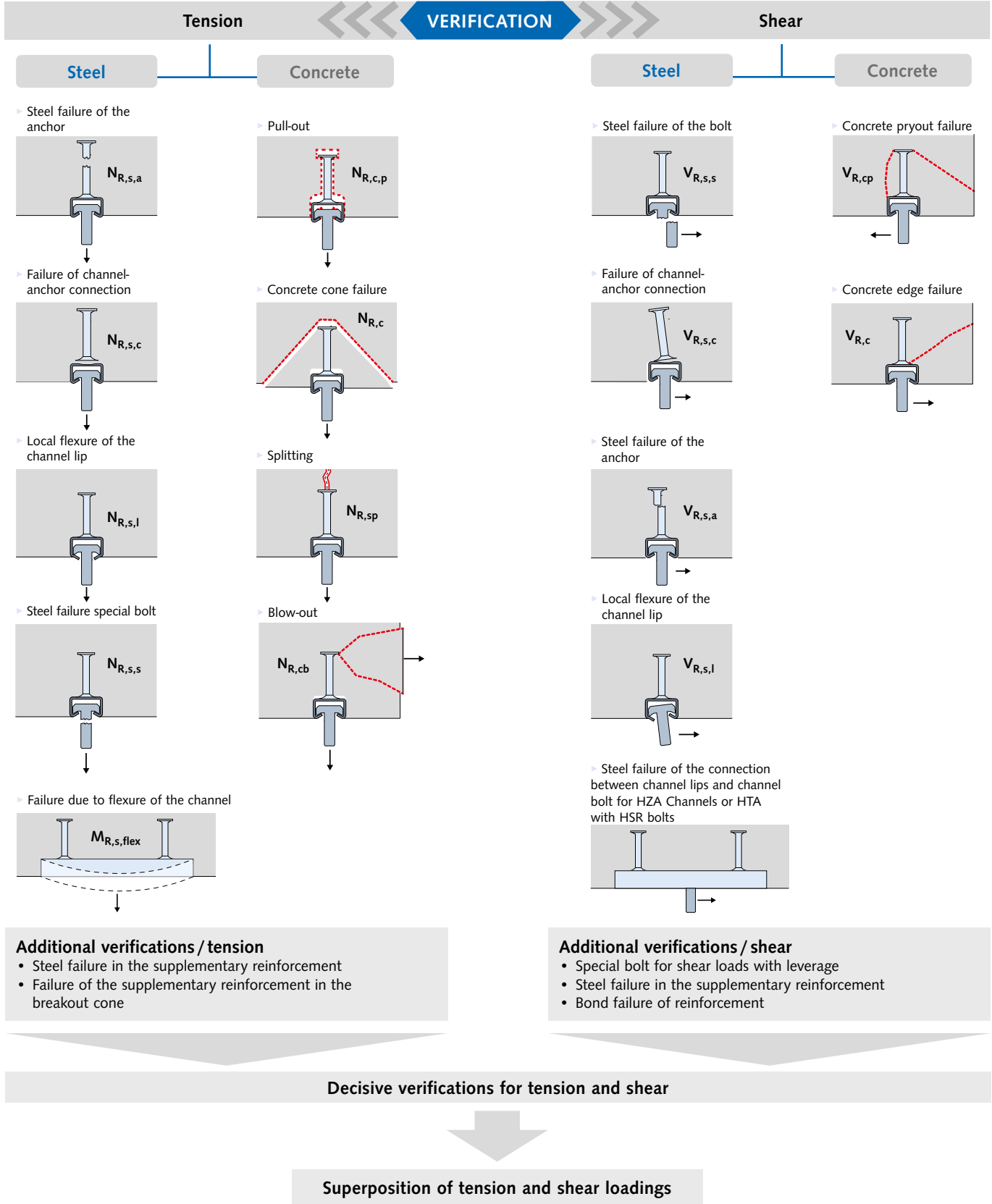
- ① Inside on the bottom of the channel.
- ② Additionally on the channel side



HALFEN CAST-IN CHANNELS

Dimensioning HTA-CE and HZA Cast-in Channels

Verification method according to EN 1992-4 / EOTA TR 047



HALFEN CAST-IN CHANNELS

Dimensioning HTA-CE and HZA Cast-in Channels

Calculation basics

The following information is necessary to verify an anchor channel:

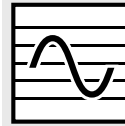
- › type of HALFEN Cast-in channel and material
- › length of the HALFEN Cast-in channel with number of anchors and spacing
- › position of the HALFEN Cast-in channel in the concrete, defined by its distance from the lower, upper, left and right edges of the component
- › thickness of the concrete elements
- › concrete strength class
- › condition of the concrete; cracked or verified as non-cracked
- › dense reinforcement in the vicinity of the anchor channel
- › HALFEN T-head bolt thread size
- › bolt positions
- › tensile load and shear load of each bolt

Technical support

Engineering services and technical support for your individual projects.

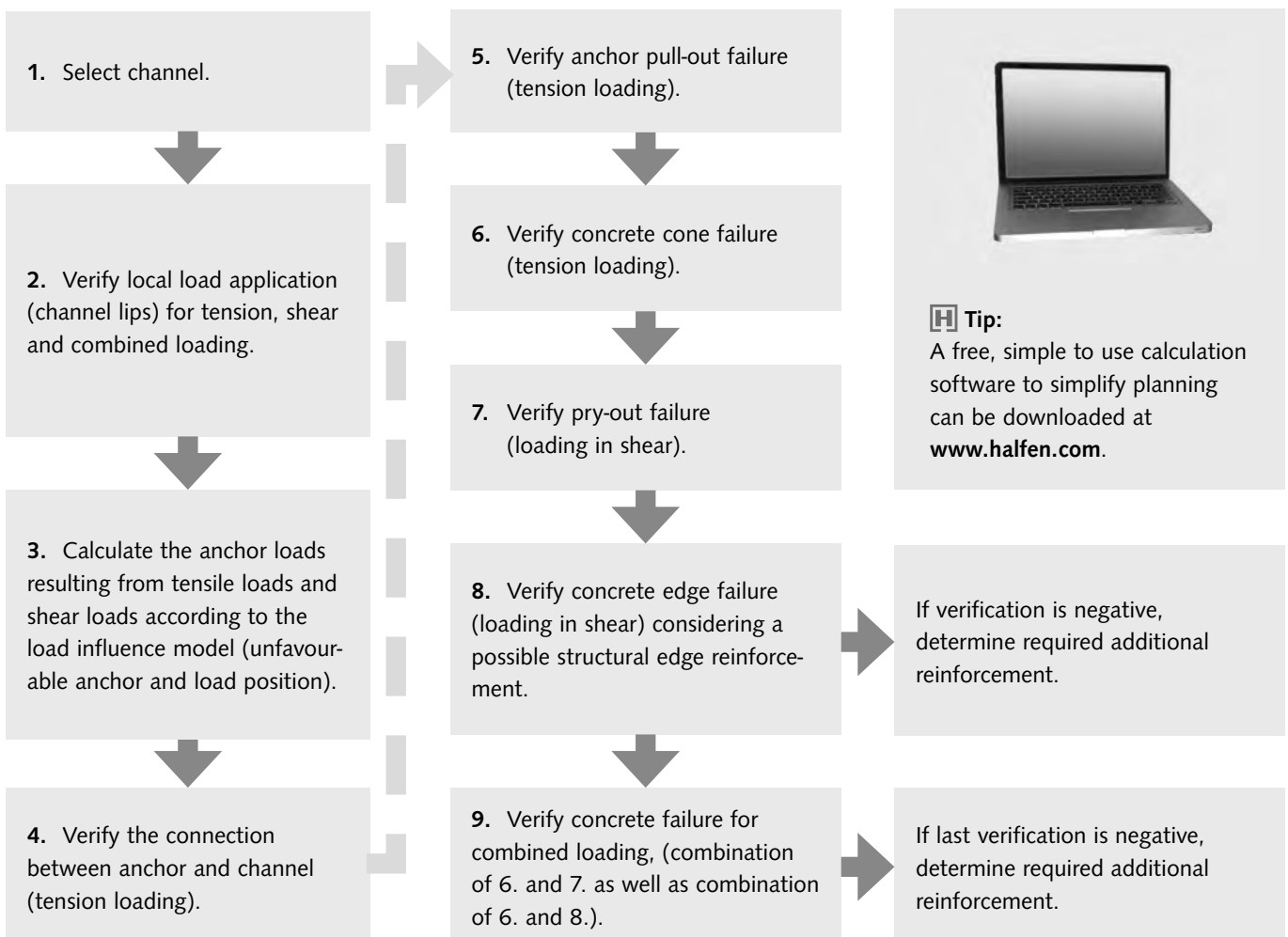


Our contact information can be found at the back of this catalogue.



Design values under dynamic loads for HTA-CE are given at page 25.

Verification method



HALFEN CAST-IN CHANNELS

Dimensioning HTA-CE and HZA Cast-in Channels

HALFEN HTA-CE/HZA Software

The HALFEN Calculation program for HALFEN Cast-in channels according to the ETA provides the user with a convenient and very powerful calculation tool.

Verifications

EN1992-4 and EOTA TR047 require a wide range of verifications for cast-in channels and the concrete used. These verifications are processed by the user-friendly dimensioning Software. In just a few seconds the user is provided with a list of suitable HALFEN Cast-in channels for the relevant load situation.

Boundary conditions

The calculation takes into account all necessary boundary conditions, typical examples being:

- cracked or non-cracked concrete
- the geometry of the concrete components, in particular the distances from the channel to the component edge
- various reinforcement patterns
- consideration of several dimensioning or characteristic loads
- positioning of the loads with a definable adjustment range, and the option of shifting the defined bolt pattern along the complete channel length
- verification of the required HALFEN T-head bolts and if required also for stand-off installations
- verification of longitudinal forces in HALFEN HZA serrated cast-in channels

Input

The geometry and loads are entered interactively. Entries are displayed promptly in a 3D graphic. Entries can also be changed directly in the graphic. Click on the load, the measurement or the component line you want to change to make the required modification.

Input loads

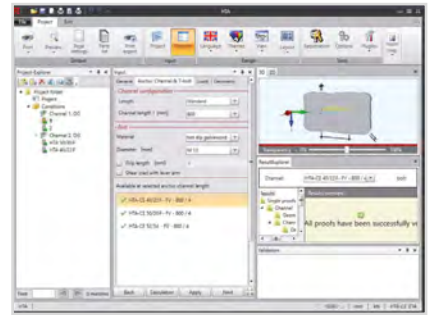
In addition to direct input of bolt loads, it is also possible to calculate the resulting loads by entering the actions/loads caused by secondary components (for example, curtain wall applications).

Results

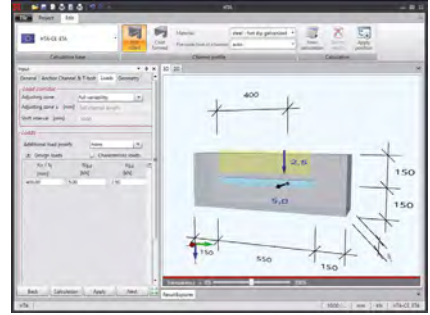
After calculation, the software output provides either the results for a preselected profile, or in the case of automatic selection a list of all suitable profiles. Profiles and T-bolts with in-complete verifications are high-lighted in red.



Screenshot 1: The HALFEN Anchor Channel Software start screen



Screenshot 2: Input screen, HALFEN Anchor Channel Software



Screenshot 3: Interactive 3D display



Screenshot 4: Results list

All software can be found under: www.halfen.com ▶ Downloads ▶ Software/CAD

HALFEN CAST-IN CHANNELS

Dimensioning HTA-CE and HZA Cast-in Channels

HALFEN HTA-CE/HZA Software

Visual control

All verifications for the current channel profile are listed in a tree structure. Green check-marks indicate successful verifications. Red check-marks indicate unsatisfactory verifications.

For further visual control a progress bar on the right indicates the status of the verification process. Here too, red bars mean that a load has been exceeded, while green bars symbolize verifications that meet the criteria.

Detailed calculation information (with load positions, section sizes and utilization factors) can also be selected in a tree menu.

After selecting a HALFEN Cast-in channel and suitable bolts, the dimensioning results can be imported into the data list and saved.

Print-outs

Print-outs are possible in a brief and in a verifiable long version. The long version includes all decisive verifications, a diagram of necessary reinforcement and a 2D graphic of the geometry and load.

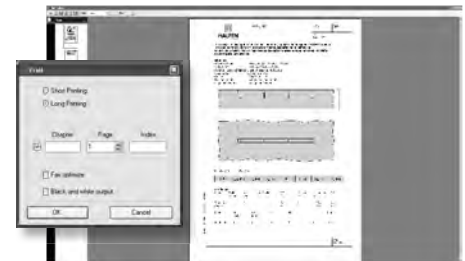
The latest version of the dimensioning program is available for download on the Internet at www.halfen.com.

System requirements:

- › Windows 10, Windows 8, Windows 7,
- › Microsoft .NET Framework 4.6



Screenshot 5: Overview of results



Screenshot 6: Print preview

Tender text example

HALFEN HTA-CE type Channel 49/30 - A4 - 350 - KF - ANK.A4

HALFEN HTA-CE Channel 49/30 with smooth channel lips for adjustable fixing of components,

according to European Technical Assessment ETA-09/0339, suitable for anchoring in reinforced or non-reinforced standard concrete in a strength class of at least C12/15 and a maximum C90/105 in accordance with EN 206 under quasi-static loading as well as fire exposure.

Type HTA-CE 49/30 - A4 - 350 - KF - ANK.A4

with

$N_{Rk,s,c} = 31 \text{ kN}$ = char. resistance, steel failure (tension), connection channel anchor

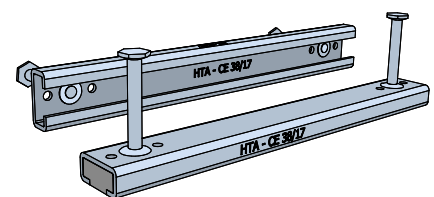
A4 = Carbon steel or stainless steel 1.4404 / 1.4571,

350 = Channel length [mm] with 3 anchors,

KF = Foam strip filler,

ANK.A4 = Anchor in stainless steel 1.4404 / 1.4571 / 1.4578,

or equivalent; deliver and install according to the manufacturer's instructions.



ETA - 09 / 0339

HTA-CE CAST-IN CHANNELS

The benefits at a glance

Apart from excellent adjustability, HALFEN Cast-in channels save considerable installation time. The result; faster construction and therefore reduced overall cost.



HALFEN HTA-CE Cast-in channels, cold-rolled

Safe and reliable

- › no damage to the reinforcement
- › approved for fire-resistant structural elements
- › suitable for use in concrete pressure and tensile stress zones
- › high corrosion resistance steels available
- › hot-rolled profiles suitable for dynamic loads
- › European Technical Assessment (ETA)
- › precise calculation with HALFEN Anchor channel software

Quick and economical

- › adjustable anchoring
- › bolts instead of welding
- › maximum efficiency when installing matrices and rows
- › cost effective installation using standard tools
- › optimised pre-planning reduces construction time
- › large range of types available for various requirements
- › no noise, no dust and no vibration during installation



HALFEN HTA-CE Cast-in channels, hot-rolled

HALFEN HTA-CE CAST-IN CHANNELS

Application Examples

CURTAIN WALL



Fixings for curtain wall façades

CURTAIN WALL



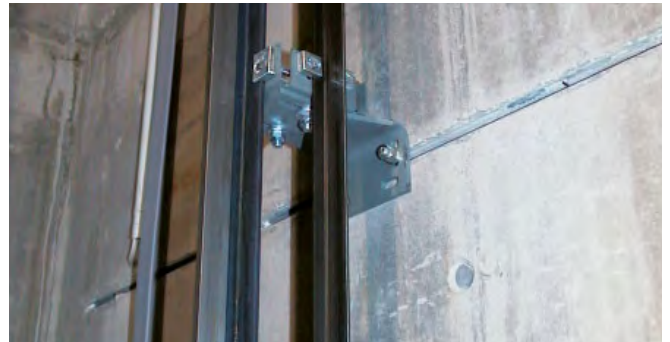
Fixings for curtain wall façades

SPORTS



Seat fixing in stadiums

LIFTS/ELEVATOR FIXINGS



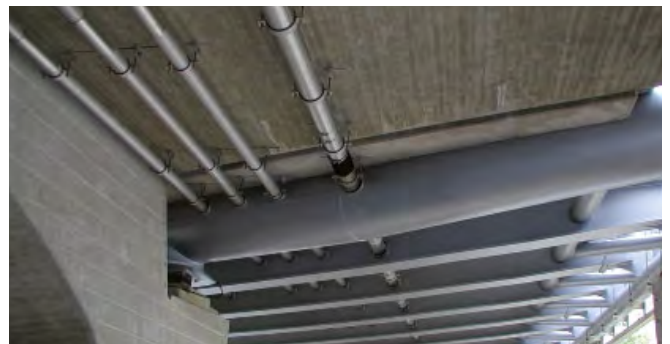
Fixing guide-rails with HALFEN Channels

NOISE BARRIERS



Fixings of noise barriers to concrete posts

BRIDGES



Fixings for drainage systems

UTILITY TUNNELS



Utility fixings in TBM tunnels with curved anchor channels

TUNNELS



Fixing of overhead cables in railway tunnels

HALFEN HTA-CE CAST-IN CHANNELS

Product range – Overview: channel and bolts

Identification values HTA-CE						
Profile	HTA-CE 72/48	HTA-CE 55/42	HTA-CE 52/34	HTA-CE 50/30P	HTA-CE 40/22P	
Type	hot-rolled	hot-rolled	hot-rolled	hot-rolled	hot-rolled	
Geometry						
HALFEN HTA-CE Channels						
<p>Note: observe the installation height h_{nom}</p>						
Material	Steel	■	■	■	■	
material description: see page 9	A4	■	-	■	■	
	HCR	-	-	-	-	
Bolts	HS 72/48	HS 50/30	HS 50/30	HS 50/30	HS 40/22	
Threads	M20-M30	M10-M20	M10-M20	M10-M20	M10-M16	
$s_{i,N}$ [mm]	144	109	105	98	79	
Profile load capacity*						
$N^0_{Rd,s,l}$ [kN]	66.7	61.1	40.0	23.9	21.1	
$V^0_{Rd,s,l}$ [kN]	81.1	61.1	43.5	32.8	19.4	
$M_{Rd,s,flex}$ [Nm]	7472	5606	2933	2437	1208	
Geometry						
h_{nom} [mm] ① ②	(191)	182 (185)	162 (164)	112	97	
b_{ch} [mm]	72	54.5	52.5	49	39.5	
h_{ch} [mm]	48.5	42	33.5	30	23	
I_y [mm ⁴]	Steel					
	NR	349721	187464	93262	52896	20029
h_{ef} [mm]		179	175	155	106	91
c_{min} [mm]		150	100	100	75	50
* Concrete load capacity has to be verified for each individual case (taking the geometric boundary conditions into account).						
NR = Stainless steel		$N^0_{Rd,s,l}$ = channel lip load capacity (tension)		① Nominal size and tolerance		
c_{min} = minimal spacing channel/concrete edge		$V^0_{Rd,s,l}$ = channel lip load capacity (shear)		② weld-on I- or T- anchors subject to available stock;		
s_{slb} = axial spacing for bolts for $N^0_{Rd,s,l}$		for these (h_{nom}) values are in brackets				

HALFEN HTA-CE CAST-IN CHANNELS

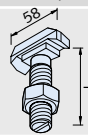
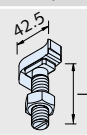
Product range – Overview: channel and bolts

Identification values HTA-CE		HTA-CE 54/33	HTA-CE 49/30	HTA-CE 40/25	HTA-CE 38/17	HTA-CE 28/15
Profile		HTA-CE 54/33	HTA-CE 49/30	HTA-CE 40/25	HTA-CE 38/17	HTA-CE 28/15
Type		cold-rolled	cold-rolled	cold-rolled	cold-rolled	cold-rolled
Geometry						
HALFEN Channels HTA-CE						
<p>Note: observe the installation height h_{nom}</p>						
Material material description: see page 9	Steel	■	■	■	■	■
	A4	■	■	■	■	■
	HCR	-	■	-	■	■
Bolts	HS 50/30	HS 50/30	HS 40/22	HS 38/17	HS 28/15	
Threads	M 10-M 20	M 10-M 20	M 10-M 16	M 10-M 16	M 6-M 12	
$s_{l,N}$ [mm]	107	100	80	76	56	
Profile load capacity*						
$N_{Rd,s,l}^0$ [kN]	30.6	17.2	11.1	10.0	5.0	
$V_{Rd,s,l}^0$ [kN]						
$M_{Rd,s,flex}$ [Nm]	2595	1455	931	504	276	
Geometry						
h_{nom} [mm] ① ②	162 (164)	103	89	81	50	
b_{ch} [mm]	54	50	40	38	28.0	
h_{ch} [mm]	33	30	25	17.5	15.25	
I_y [mm ⁴]	Steel	72079	41827	20570	8547	4060
	NR			19097		
h_{ef} [mm]	155	94	79	76	45	
c_{min} [mm]	100	75	50	50	40	
* Concrete load capacity has to be verified for each individual case (taking the geometric boundary conditions into account).						
c_{min} = minimal spacing channel/concrete edge		$N_{Rd,s,l}^0$ = channel lip load capacity (tension)		① Nominal size and tolerance		
NR = Stainless steel		$V_{Rd,s,l}^0$ = channel lip load capacity (shear)		② weld-on I- or T- anchors subject to available stock;		
s_{slb} = axial spacing for bolts for $N_{Rd,s,l}^0$		for these (h_{nom}) values are in brackets				

HALFEN HTA-CE CAST-IN CHANNELS

HALFEN HS Bolts

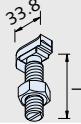
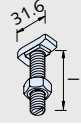
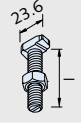
HALFEN HS Bolts

Suitable for profile	HTA-CE 72/48				HTA-CE 55/42, 52/34, 54/33, 50/30P, 49/30			
Bolt	HS 72/48				HS 50/30			
Bolt dimensions								
l [mm]	M20	M24	M27	M30	M10	M12	M16	M20
20	-	-	-	-	-	-	-	-
30	-	-	-	-	FV8.8	FV4.6 A4-70	- A4-50	-
40	-	-	-	-	FV8.8	FV4.6 FV8.8 A4-70	FV4.6 FV8.8 A4-50	-
45	-	-	-	-	-	FV8.8	-	FV4.6 FV8.8 A4-50
50	FV4.6	FV4.6 A4-50	-	-	FV8.8	FV4.6 FV8.8 A4-70	FV4.6 A4-50 HCR-50*	-
55	-	-	-	-	-	-	-	FV4.6 A4-50 A4-70*
60	FV8.8	-	-	-	-	FV4.6 FV8.8	FV4.6 FV8.8 A4-50	FV8.8
65	-	-	-	-	-	-	-	FV4.6 FV8.8
70	-	-	-	-	-	FV8.8	-	-
75	FV4.6 GVs8.8	FV4.6 FV8.8	FV4.6	FV4.6	-	-	-	FV4.6 A4-50 A4-70*
80	-	-	-	-	-	FV4.6 FV8.8	FV4.6 FV8.8 A4-50	FV4.6 FV8.8
100	FV4.6 GVs8.8	FV4.6 GVs8.8 A4-50	FV8.8	FV4.6	-	FV4.6 FV8.8 A4-50	FV4.6 FV8.8 HCR-50*	FV4.6 FV8.8 A4-50 A4-70*
125	-	-	-	-	-	FV4.6 FV8.8	-	FV4.6 FV8.8 A4-50*
150	FV4.6	FV4.6 GVs8.8	-	FV4.6	-	- GVs4.6	FV4.6 A4-50 HCR-50* FV8.8	- FV8.8 A4-50*
175	-	-	-	-	-	-	-	-
200	FV4.6	FV4.6	-	FV4.6	-	- GVs4.6	- GVs4.6	- GVs4.6
250	-	-	-	-	-	-	-	-
300	-	-	-	-	-	-	- GVs4.6	-

Material types: see page 9-10 *on request ⓘ Other bolt lengths and materials on request!

HALFEN HTA-CE CAST-IN CHANNELS

HALFEN HS Bolts

Suitable for profile	HTA-CE 40/22P, 40/25			HTA-CE 38/17			HTA-CE 28/15			
Bolt	HS 40/22			HS 38/17			HS 28/15			
Bolt dimensions										
l [mm]	M10	M12	M16	M10	M12	M16	M6	M8	M10	M12
20	FV4.6	-	-	-	-	-	-	-	-	-
30	FV4.6	FV4.6	-	FV4.6	FV4.6	-	-	-	FV4.6	-
	FV8.8	FV8.8	-	GVs4.6	GVs4.6	-	GVs4.6	GVs4.6	GVs4.6	GVs4.6
40	A4-70	A4-50	A4-50	A4-70	A4-70	-	-	A4-70	A4-70	-
	FV4.6	FV4.6	FV4.6	-	-	FV4.6	-	-	-	-
	FV8.8	FV8.8	FV8.8	-	-	-	-	-	FV8.8	-
45	-	-	-	-	-	-	-	-	-	-
	-	FV8.8	-	-	-	-	-	-	-	-
	-	-	-	-	-	-	-	-	-	-
50	FV4.6	FV4.6	FV4.6	FV4.6	FV4.6	FV4.6	-	-	FV4.6	-
	-	FV8.8	FV8.8	GVs4.6	GVs4.6	GVs4.6	-	GVs4.6	GVs4.6	GVs4.6
	A4-70	A4-50	A4-70	-	A4-70	-	-	-	A4-50	-
55	-	-	-	-	-	-	-	-	-	-
	-	-	-	-	-	-	-	-	-	-
	-	-	-	-	-	-	-	-	-	-
60	FV4.6	FV4.6	FV4.6	-	-	-	-	-	-	-
	FV8.8	FV8.8	FV8.8	GVs4.6	GVs4.6	FV8.8	-	-	-	-
	-	-	-	-	GVs8.8	GVs4.6	-	GVs4.6	GVs4.6	-
65	-	-	-	-	-	-	-	-	-	-
	-	-	-	-	-	-	-	-	-	-
	-	-	-	-	-	-	-	-	-	-
70	-	-	-	-	-	-	-	-	-	-
	-	-	-	-	-	-	-	-	-	-
	-	-	-	-	-	-	-	-	-	-
75	-	-	-	-	-	-	-	-	-	-
	-	-	-	-	-	-	-	-	-	-
	-	-	-	-	-	-	-	-	-	-
80	FV4.6	FV4.6	FV4.6	-	-	FV4.6	-	-	-	-
	-	FV8.8	FV8.8	GVs4.6	GVs4.6	GVs4.6	-	GVs4.6	GVs4.6	GVs4.6
	-	A4-50	A4-50	-	A4-70	A4-50	-	-	A4-70	-
100	FV4.6	FV4.6	FV4.6	-	-	FV4.6	-	-	-	-
	-	FV8.8	FV8.8	GVs4.6	GVs4.6	GVs4.6	-	GVs4.6	GVs4.6	-
	-	-	-	-	-	-	-	-	A4-50*	-
125	-	-	-	-	-	-	-	-	-	-
	FV4.6	FV4.6	FV4.6	-	-	-	-	-	-	-
	-	-	-	-	GVs4.6	GVs4.6	-	-	GVs4.6	GVs4.6
150	-	-	-	-	-	-	-	-	-	-
	-	GVs4.6	FV4.6	GVs4.6	GVs4.6	GVs4.6	-	GVs4.6	GVs4.6	-
	-	-	-	-	-	-	-	-	A4-50*	-
200	-	-	-	-	-	-	-	-	-	-
	-	GVs4.6	GVs4.6	-	GVs4.6	GVs4.6	-	-	GVs4.6	GVs4.6
	-	-	-	-	-	-	-	-	A4-50*	-
250	-	-	-	-	-	-	-	-	-	-
	-	-	GVs4.6	-	-	-	-	-	-	-
300	-	-	GVs4.6	-	-	-	-	-	-	-
	-	-	-	-	-	-	-	-	-	-

Material types: see page 9-10 *on request ⓘ Other bolt lengths and materials on request!

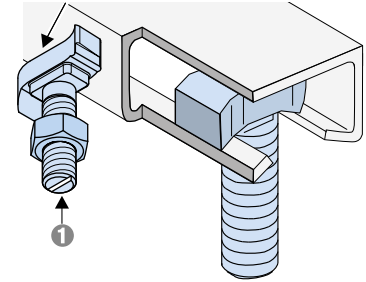
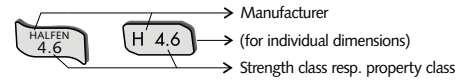
HALFEN HTA-CE CAST-IN CHANNELS

HALFEN HS Bolts

HALFEN Bolts – Type HS



- > two direction load capacity
- > identified on bolt tip with 1 notch

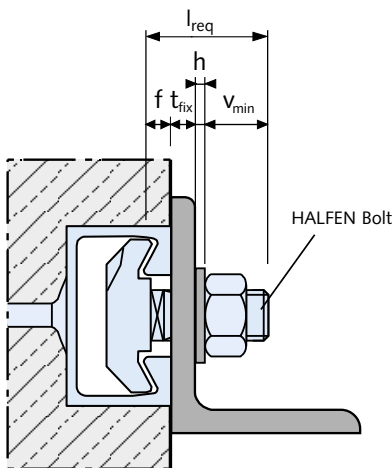


- HALFEN 4.6** Strength class 4.6/8.8 galvanized (GVs) or hot-dip galvanized (FV)
- HALFEN A4-70** Material grade A4-50/A4-70/FA-70 Stainless steel
- HALFEN HCR50** Strength class 50 Stainless steel (1.4529/1.4547)

Standard HALFEN Bolts (no nib or serration) for all profile types HTA-CE

Calculating the bolt length l_{req} for HALFEN Bolts

$$l_{req} = t_{fix} + f + h + v_{min}$$



Dimensions v_{min}	
Bolt diameter	v_{min} [mm]
M6	11.0
M8	12.5
M10	14.5
M12	17.0
M16	20.5
M20	26.0
M24	29.0
M27	31.5
M30	33.5

Lip dimensions f	
Channel profile	f [mm]
28/15	2.3
38/17	3.0
40/22P	6.0
40/25	5.6
49/30	7.4
50/30P	7.9
52/34	10.5
54/33	7.9
55/42	12.9
72/48	15.5

- l_{req} = required bolt length
- t_{fix} = thickness of clamped component
- f = profile lip height
- h = washer thickness
- v_{min} = nut height EN ISO 4032 + overhang approximately 5 mm (\geq M20: 7 mm)

Bolt design values

The table on the right lists the design resistance of HALFEN Bolts with different thread diameters, materials and strength classes.

$N_{Rd,s,s}$ is the resistance against tension loads, $V_{Rd,s,s}$ is the the resistance against shear loads and $M^0_{Rd,s,s}$ is the flexural resistance when subjected to transverse load induced with a lever arm.

Design resistance		M6	M8	M10	M12	M16	M20	M24	M27	M30
4.6	$N_{Rd,s,s}$ [kN]	4.0	7.3	11.6	16.9	31.4	49.0	70.6	91.8	112.2
	$V_{Rd,s,s}$ [kN]	2.9	5.3	8.3	12.1	22.6	35.2	50.7	66.0	80.6
	$M^0_{Rd,s,s}$ [Nm]	3.8	9.0	17.9	31.4	79.8	155.4	268.9	398.7	538.7
8.8	$N_{Rd,s,s}$ [kN]	10.7	19.5	28.6	44.9	83.7	130.7	188.3	244.8	299.2
	$V_{Rd,s,s}$ [kN]	6.4	11.7	17.2	27.0	50.2	78.4	113.0	146.9	179.5
	$M^0_{Rd,s,s}$ [Nm]	9.8	24.0	42.5	83.8	213.1	415.4	718.4	1065.2	1439.4
A4-50	$N_{Rd,s,s}$ [kN]	3.5	6.4	10.1	14.8	27.4	42.8	61.7	80.2	98.1
	$V_{Rd,s,s}$ [kN]	2.5	4.6	7.3	10.6	19.8	30.9	44.5	57.9	70.7
	$M^0_{Rd,s,s}$ [Nm]	3.2	7.9	15.7	27.5	70.0	136.3	235.8	349.7	472.5
A4-70	$N_{Rd,s,s}$ [kN]	7.5	13.7	21.7	31.6	58.8	91.7	132.1	171.8	210.0
	$V_{Rd,s,s}$ [kN]	5.4	9.9	15.6	22.7	42.2	66.0	95.1	123.6	151.0
	$M^0_{Rd,s,s}$ [Nm]	6.9	16.8	33.5	58.8	149.4	291.3	503.7	746.9	1009.2

HALFEN HTA-CE CAST-IN CHANNELS

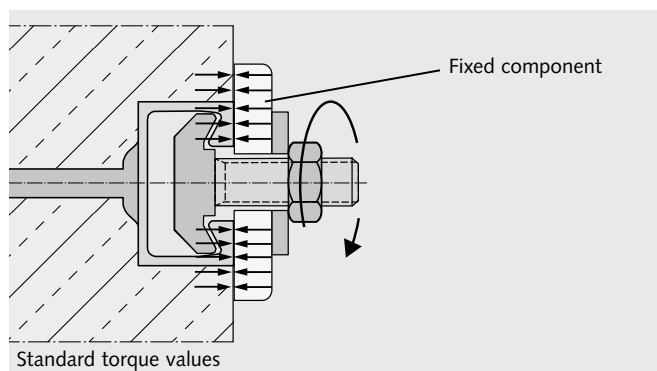
HALFEN HS Bolts

Torque values HS

Standard

Components are braced against the concrete and anchor channel.

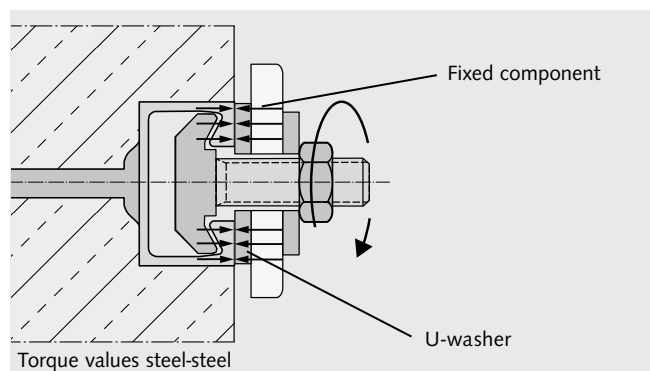
Torque is applied as in the following table and must not be exceeded.



Steel-Steel

Components are braced against the anchor channels using suitable washers.

Torque is applied as in the following table and must not be exceeded.



Standard: Recommended torque values T_{inst}		
HTA-CE Profile	HALFEN Bolt HS...M [mm]	Torque value T_{inst} [Nm]
		Steel 4.6; 8.8 Stainless steel Strength class 50 Strength class 70
28/15	6	3
	8	8
	10	13
	12	15
38/17	10	15
	12	25
	16	40
40/22P 40/25	10	15
	12	25
	16	45
49/30 50/30P	10	15
	12	25
	16	60
	20	75
52/34 54/33	10	15
	12	25
	16	60
	20	120
55/42	10	15
	12	25
	16	60
	20	120
72/48	20	120
	24	200
	27	300
	30	380

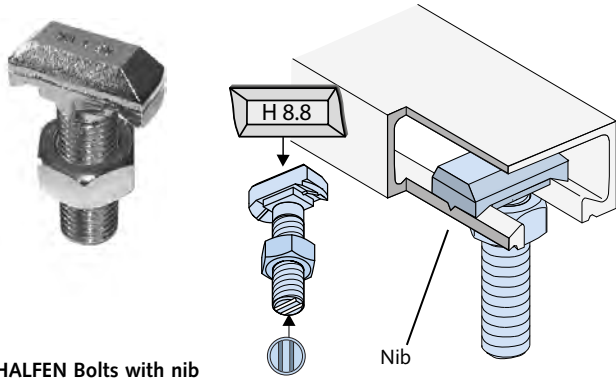
Steel-Steel: Recommended torque values T_{inst}					
HTA-CE Profile	HALFEN Bolt HS...M [mm]	Torque value T_{inst} [Nm]			
		Steel 4.6	Steel 8.8	Stainless steel Strength class 50	Stainless steel Strength class 70
28/15	6	3	-	3	-
	8	8	20	8	15
	10	15	40	15	30
	12	25	70	25	50
38/17	10	15	40	15	30
	12	25	70	25	50
	16	65	180	60	130
40/22P 40/25	10	15	40	15	30
	12	25	70	25	50
	16	65	180	60	130
49/30 50/30P	10	15	40	15	30
	12	25	70	25	50
	16	65	180	60	130
	20	130	360	120	250
52/34 54/33	10	15	40	15	30
	12	25	70	25	50
	16	65	180	60	130
	20	130	360	120	250
55/42	10	15	40	15	30
	12	25	70	25	50
	16	65	180	60	130
	20	130	360	120	250
72/48	20	130	360	120	250
	24	230	620	200	440
	27	340	900	300	650
	30	460	1200	400	850

⚠ Torque values apply only to bolts in delivery condition (unlubricated).

HALFEN HTA-CE CAST-IN CHANNELS

HALFEN HSR Bolts with nib

HALFEN Bolts – Type HSR (not part of the ETA)



HALFEN Bolts with nib

- only for hot-rolled profiles: 40/22P, 50/30P, 52/34, 72/48
- only for carbon steel: WB and FV
- load capacity in all directions
- load capacity in channel longitudinal direction according to expert report
- identification on bolt tip with **2 notches**

Bolt design values HSR

Available HSR				
Suitable for profile	72/48	52/34, 50/30P		40/22P
Bolt	HSR 72/48	HSR 50/30		HSR 40/22
Bolt dimensions				
l [mm]	M20	M16	M20	M16
40	-	FV8.8	-	GVs8.8
45	-	-	GVs8.8	-
60	-	GVs8.8, FV8.8	GVs8.8	GVs8.8, FV8.8
75	FV8.8	GVs8.8	GVs8.8, FV8.8	-
80	-	FV8.8	-	-
100	-	GVs8.8	-	-
GVs = Zinc galvanized with special coating FV = Hot-dip galvanized				

Torque values HSR	
HSR 8.8	Torque values [Nm]
M16	200
M20	400

Load capacity HSR	
Bolt HSR	Grade 8.8 in channel longitudinal direction F_{Rd} [kN]
40/22 - M16	7.0
50/30 - M16	7.0
50/30 - M20	10.5
72/48 - M20	10.5

If loads in the channel's longitudinal direction have to be verified, we recommend using serrated HALFEN HZA Channels with serrated HALFEN HZS Bolts. See pages 27-34.

HALFEN HTA-CE CAST-IN CHANNELS

HTA-CE Dynamic loads/Edge and bolt spacing

Design resistance for $n = 2 \times 10^6$ load cycles

Profile HTA-CE	Type	$\Delta N_{Rd,s,0,n}$	Allowable bolts	Material
40/22P	FV	2.94	M12	8.8
			M16	4.6 / 8.8
50/30P	FV	3.6	M16	4.6 / 8.8
			M20	4.6 / 8.8
52/34	FV	4.9	M16	8.8
			M20	8.8

Example (also see diagram to the right):

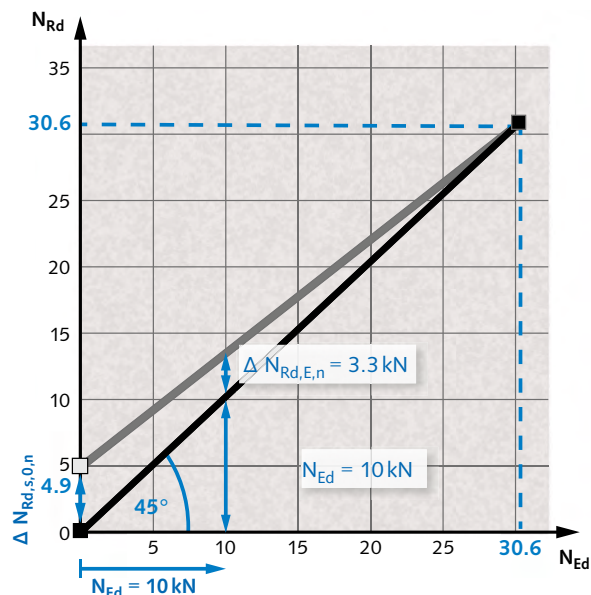
Profile HTA-CE 52/34 - FV (standard, hot-dip galvanized), for $n = 2 \times 10^6$ load cycles:

$$N_{Rd} = 55 \div 1.8 = 30.6 \text{ (taken from the ETA)}$$

N_{Ed} from permanent load = 10 kN (assumption)

$$\Delta N_{Rd,E,n} = (30.6 - 10) \times 4.9/30.6 = 3.3 \text{ kN}$$

Diagram: HTA-CE 52/34 - FV for $n = 2 \times 10^6$ load cycles



Minimum edge distances and minimum bolt spacing

Anchors must be installed at a minimum distance from the component edges.

The distance depends on the selected channel profile.

According to the ETA, the spacing between bolts s_{cbo} must not be less than $5 \times d_s$.

Reduction of the load bearing capacity is required if $s_{cbo} < s_{sl,N}^*$ (see table on page 18).

The concrete load-bearing capacity must be verified for each individual case using the HALFEN Software!

* $s_{sl,N}$ = centre distance of the bolts subject to $N_{Rd,s,l}$
See tables pages 18-19

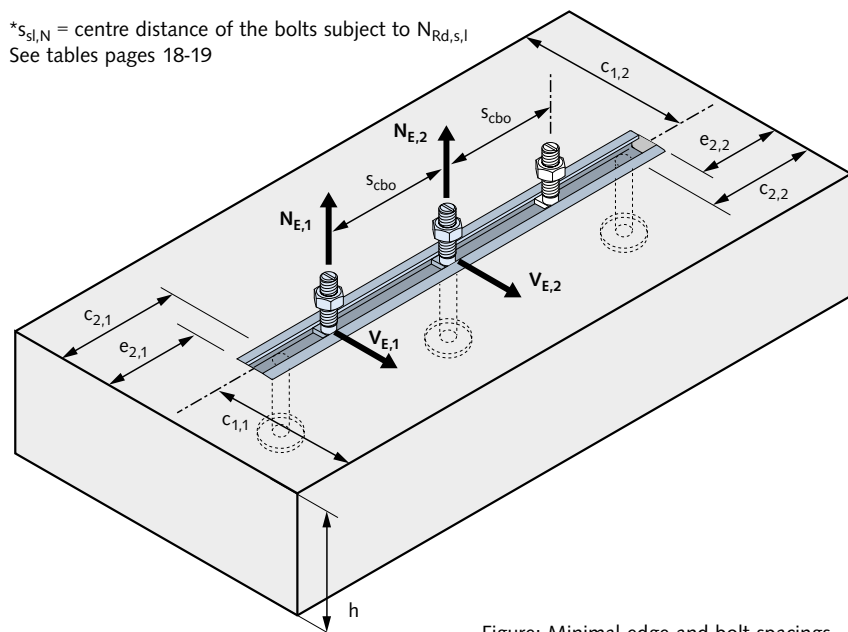


Figure: Minimal edge and bolt spacings

Edge and bolt spacing [mm]

HTA-CE Profiles	M	$s_{s,min}$	c_{min}	e_{min}
28/15	6	30	40	15
	8	40	40	15
	10	50	40	15
38/17	10	50	50	25
	12	60	50	25
	16	80	50	25
40/25 40/22P	10	50	50	25
	12	60	50	25
	16	80	50	25
49/30	10	50	75	50
	12	60	75	50
	16	80	75	50
50/30P	20	100	75	50
	10	50	75	40
	12	60	75	40
52/34 54/33	16	80	75	40
	20	100	75	40
	10	50	100	65
55/42	12	60	100	65
	16	80	100	65
	20	100	100	65
72/48	20	100	150	115
	24	120	150	115
	27	135	150	115
	30	150	150	115

HALFEN HTA-CE CAST-IN CHANNELS

HTA-CE standard lengths/HTA-CS – Curved Solution

HTA-CE Standard lengths

Our standard lengths are optimized lengths to avoid cut-offs. We provide these lengths with order numbers in our current price list.

We deliver HALFEN HTA-CE Cast-in channels in any length from 100 mm to 6070 mm. Any number of anchors with individual spacing is possible. Please contact us at www.halfen.com or see the back inside cover of this catalogue for contact information.



The calculation program for HALFEN Cast-in channels according to the ETA is a convenient and very powerful calculation tool for any channel length, anchor spacing and concrete cover. Free download at [www.halfen.com/downloads/software-cad/...](http://www.halfen.com/downloads/software-cad/)

① Does not apply to HTA-CE 52/34, HTA-CE 54/33
 ② Does not apply to HTA-CE 40/22P - A4

HTA-CE standard lengths and number of anchors				
Length [mm] / Number of anchors				
HTA-CE 72/48	HTA-CE 55/42	HTA-CE 40/25, 50/30P, 49/30, 52/34, 54/33	HTA-CE 40/22P	HTA-CE 28/15, 38/17
150/2	150/2	150/2	150/2	100/2
200/2	200/2	200/2	200/2	150/2
250/2	250/2	250/2	250/2	200/2
300/2	300/2	300/2	300/2	250/2
350/3	350/3	350/3	350/3	300/3
400/3	400/3	400/3	400/3	350/3
550/3	550/3	550/3	550/3	450/3
1050/5	1050/5	800/4	800/4 ^②	550/4
6070/25	6070/25	1050/5	1050/5	850/5
-	-	3030/13 ^①	1300/6 ^②	1050/6
-	-	6070/25	1550/7 ^②	3030/16
-	-	-	1800/8 ^②	6070/31
-	-	-	2050/9 ^②	-
-	-	-	2300/10 ^②	-
-	-	-	2550/11 ^②	-
-	-	-	3030/13 ^②	-
-	-	-	6070/25	-
			Anchor spacing ≤ 250mm	Anchor spacing ≤ 200mm

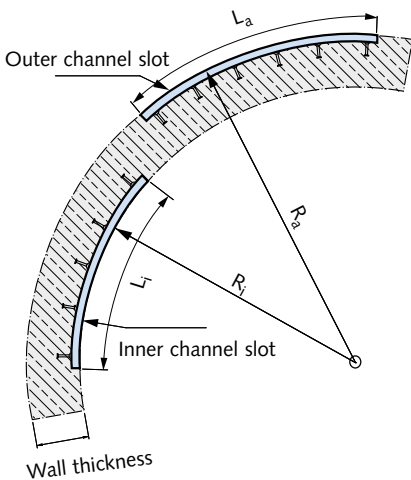
HALFEN HTA-CS Channels – Curved Solution

Areas of application:

- > tunnel construction
- > precast elements for utility tunnels
- > curved walls
- > sewage plants



Curved HALFEN Cast-in channels in tunnel segments



R_i = Radius of inner channel slot
 R_a = Radius of outer channel slot
 L = Length of channel after bending (maximum 5400 mm)

Ordering example:

HALFEN Cast-in channel, curved
 HTA-CS 52/34-Q - A4, $R_i = 4000$ mm, $L = 1050$ mm

HTA-CS Smallest radius [m]*										
Profile	Material	HTA-CS 72/48	HTA-CS 54/33	HTA-CS 52/34	HTA-CS 50/30P	HTA-CS 49/30	HTA-CS 40/22P	HTA-CS 40/25	HTA-CS 38/17	HTA-CS 28/15
Inner channel slot:	□	on request	0.80 m	0.75 m	on request	0.80 m	on request	1.10 m	0.70 m	0.75 m
	□	on request	0.80 m	0.80 m	on request	0.80 m	on request	0.90 m	0.70 m	0.75 m
Outer channel slot:	□	on request	4.00 m	3.60 m	on request	3.00 m	on request	2.20 m	3.20 m	2.00 m
	□	on request	4.00 m	3.60 m	on request	5.70 m	on request	1.70 m	5.40 m	7.80 m

□ hot-dip galvanized □ stainless A4

* please contact our technical support team for more detailed information

HALFEN HZA CAST-IN CHANNELS, serrated

The benefits at a glance

Apart from providing excellent adjustability, HALFEN Cast-in channels save considerable installation time. The result: faster construction and therefore reduced overall costs.



 serrated
  3D-Loads
 
European Technical Assessment
ETA-20/1081

HZA HALFEN Cast-in channels, cold-rolled, serrated

Safe and reliable


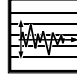

- › no damage to the main reinforcement
- › suitable for installation in concrete pressure and concrete tensile zones
- › hot-rolled channels, suitable for dynamic loads
- › European Technical Assessment (ETA)
- › suitable for use in earthquake safety design

Quick and economical

- › adjustable anchorage
- › bolts instead of welding
- › maximum efficiency when installing in rows
- › cost-effective installation using standard tools
- › optimized pre-planning reduces construction time
- › large range of channels types for various applications
- › user-friendly installation; no noise, dust and vibration




European Technical Assessment
ETA-17/0728

 serrated
  3D-loads
  suitable for dynamic loads
  suitable for seismic loading
  suitable for applications in safety relevant areas in nuclear facilities

HZA-PS HALFEN Cast-in channels, hot-rolled, serrated




European Technical Assessment
ETA-20/1081

 serrated
  3D-loads
  suitable for dynamic loads
  suitable for seismic loading

HZA DYNAGRIP® Cast-in channels, serrated



HZA-PS CAST-IN CHANNELS

More Information on the HZA-PS is available at:

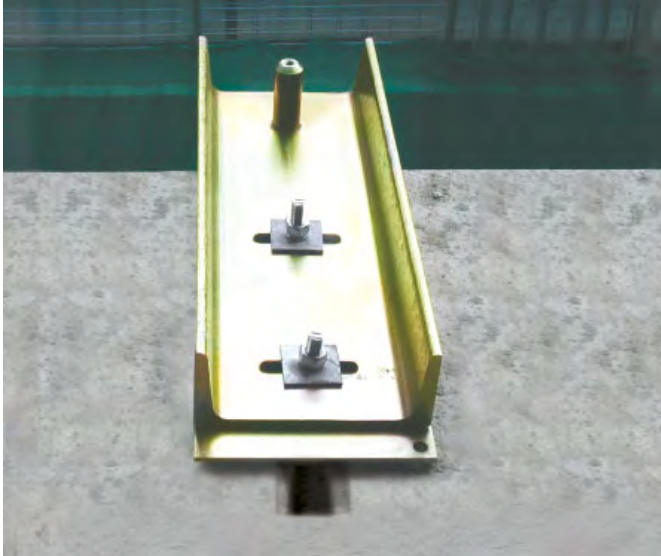
www.halfen.com › Products › Fixing systems › HZA - DYNAGRIP® Cast-In Channels

Or scan the QR-Code and select the current "HZA-PS" catalogue.

HALFEN HZA CAST-IN CHANNELS

Application Examples: Installations with HALFEN HZA Cast-In Channels

CURTAIN WALL



Fixings of a Curtain wall façade, HZA near edge installation

FAÇADES



Fixings for emergency access balconies
(Vertical installation of HALFEN Channels)

INDUSTRIAL PLANT INSTALLATIONS



Pipe supports on vertical HZA Channels

SKI LIFT



Fixing of the drive unit for a ski lift

LIFTS / ELEVATORS



Fixing for guide-rails

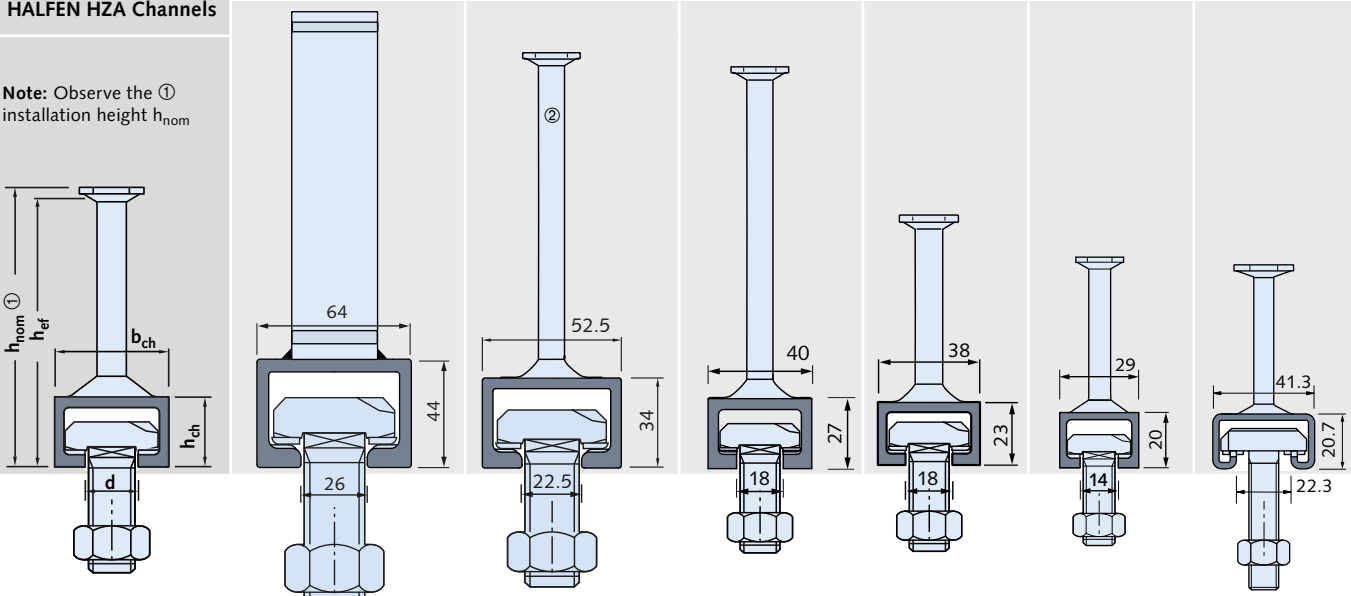
INDUSTRIAL BUILDING



Vertical channels in columns to attach further components

HALFEN HZA CAST-IN CHANNELS

Product range

Available HZA Channels							
Profile	HZA 64/44 DYNAGRIP®	HZA 53/34 DYNAGRIP®	HZA 41/27 DYNAGRIP®	HZA 38/23 DYNAGRIP®	HZA 29/20 DYNAGRIP®	HZA 41/22	
Geometry HALFEN HZA Channels	hot-rolled					cold-rolled	
Note: Observe the ① installation height h_{nom}							
① Nominal size and tolerance							
Material	Steel	■	■	■	■	■	■
material description: see page 9-10	A4	■	■	-	■	-	■
Bolts	HZS 64/44	HZS 53/34	HZS 38/23	HZS 38/23	HZS 29/20	HZS 41/22	
Threads	M20-M24	M16-M20	M12-M16	M12-M16	M12	M12-M16	
$s_{l,N} = s_{l,V}$ [mm]	128	105	80	76	58	83	
Profile load capacity*							
$N^0_{Rd,s,l}$ [kN]	Steel	58.9	45.8	29.8	21.8	12.7	10.1
	NR	52.4	30.6	-	22.2	-	14.5
$V^0_{Rd,s,l,y}$ [kN]	Steel	86.8	56.2	29.8	24.4	11.2	10.1
	NR	52.4	30.6	-	17.4	-	12.6
$V_{Rd,s,l,x}$ [kN]	Steel	39.7	18.3	10.9(M12) 14.8(M16)	10.9	7.0	6.7
	NR	38.2	20.5	-	11.5	-	5.6
$M_{Rd,s,flex}$ [Nm]	Steel	6935	3452	2289	1497	873	733
	NR	7922	3608	-	1670	-	749
Geometry							
h_{nom} [mm] ① ②	(187)	161 (165)	155	99	87	85	
b_{ch} [mm]	64.0	52.5	40.0	38.0	29.0	41.3	
h_{ch} [mm]	44.0	34.0	27.0	23.0	20.0	20.7	
I_y [mm ⁴]	240300	92600	39000	21100	10200	12600	
h_{ef} [mm]	178	155	148	82	128	82	
c_{min} [mm]	125	100	75	75	50	50	
* Concrete load capacity has to be verified for each individual case (taking the geometric boundary conditions into account).							
c_{min} = minimal spacing channel/concrete edge	$N^0_{Rd,s,l}$ = channel lip load capacity (tension)	① Nominal size and tolerance				② weld-on I- or T-anchors subject to available stock; for these (h_{nom}) values are in brackets	
NR = Stainless steel	$V^0_{Rd,s,l,y}$ = channel lip load capacity (perpendicular shear)						
s_{lb} = axial spacing for bolts for $N^0_{Rd,s,l}$	$V_{Rd,s,l,x}$ = channel lip load capacity (longitudinal shear)						

■ FV = Steel hot-dip galvanized
1.0038/1.0044

■ A4 =Stainless steel
1.4571/1.4404



All hot-rolled profiles are suitable for dynamic loads

HALFEN HZA CAST-IN CHANNELS

HALFEN HZA Channels: Standard lengths/HALFEN HZA Channels Curved Solution

HALFEN HZA Channels – Standard lengths

Standard lengths* - Length [mm] / Number of anchors

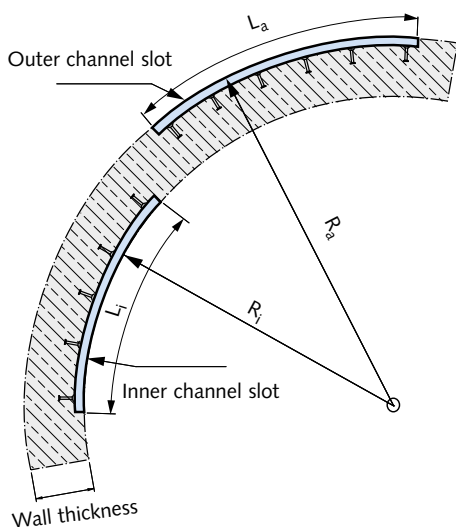
	HZA 64/44; 53/34	HZA-PS 64/44; 53/34	HZA 41/27	HZA 38/23	HZA-PS 38/23	HZA 29/20	HZA-PS 29/20	HZA 41/22
This tables lists the standard lengths of cast-in channel in the HALFEN HZA Product range. Our standard lengths are optimized lengths to avoid cut-offs. Order numbers may be found in the current HALFEN price list. Other lengths are available on request. * please contact our technical support for more information	-	-	-	-	-	-	-	100/2
	150/2	-	150/2	150/2	-	150/2	-	150/2
	200/2	200/2	200/2	200/2	200/2	200/2	200/2	200/2
	250/2	-	250/2	250/2	-	250/2	-	250/2
	300/2	-	300/2	300/2	-	300/3	-	300/2
	350/3	350/3	350/3	350/3	350/3	350/3	350/3	350/3
	400/3	-	400/3	400/3	-	400/3	-	400/3
	550/3	550/3	550/3	550/3	550/3	550/4	550/4	550/3
	-	800/4	-	800/4	800/4	-	800/5	-
	1050/5	1050/5	1050/5	1050/5	1050/5	1050/6	1050/6	1050/5
	-	3030/13	-	3030/13	3030/13	3030/16	3030/16	-
	6070/25	6070/25	6070/25	6070/25	6070/25	6070/31	6070/31	6070/25

We deliver HALFEN HZA Cast-in channels in any length from 100 mm to 6070 mm. Any number of anchors with individual spacing is possible. Please contact us at www.halfen.com or see the back inside cover of this catalogue for contact information.



The HALFEN Calculation program for HALFEN Cast-in channels according to the ETA provides the user with a convenient and very powerful calculation tool for any channel length, anchor spacing and concrete cover. Free download at [www.halfen.com/downloads/software-cad/...](http://www.halfen.com/downloads/software-cad/)

HALFEN HZA Channels curved solution



- Areas of application:**
- > tunnel construction
 - > reinforced concrete tunnels for utilities
 - > curved walls
 - > sewage plants



Curved HALFEN Cast-in channels in tunnel segments

Ordering example:

HALFEN Cast-in channel, curved
 HZA-CS 53/34-Q - A4, $R_i = 4000$ mm, $L = 1050$ mm

		Smallest radius [m]*					
Profile	Material	HZA-CS 64/44	HZA-CS 53/34	HZA-CS 41/27	HZA-CS 38/23	HZA-CS 29/20	HZA-CS 41/22
Inner channel slot:	□	on request	on request	on request	2.60 m	0.85 m	0.70 m
	■	on request	on request	on request	1.20 m	-	0.70 m
Outer channel slot:	□	on request	on request	on request	1.40 m	1.10 m	2.20 m
	■	on request	on request	on request	3.50 m	-	4.80 m

□ hot-dip galvanized ■ A4 stainless steel

* please contact our technical support for more information

R_i = Radius of inner channel slot
 R_a = Radius of outer channel slot
 L = Length of channel after bending (maximum 5400 mm)

HALFEN HZA CAST-IN CHANNELS

HALFEN HZS Bolts

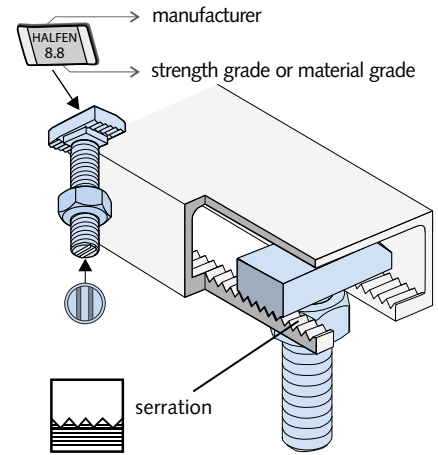
Available HALFEN HZS Bolts



HALFEN Bolt, serrated

➤ The serration also ensures a positive load transmission in the longitudinal channel direction. The danger of bolt slippage is minimized.

➤ The bolt is marked on the shaft end with 2 notches.



HALFEN HZS Bolts

Bolt	HZS 64/44		HZS 53/34		HZS 38/23		HZS 29/20	HZS 41/22	
Suitable for profile	64/44		53/34		41/27; 38/23		29/20	41/22	
Bolts dimensions									
∅	M20	M24	M16	M20	M12	M16	M12	M12	M16
l [mm]									
30	-	-	-	-	GVs8.8	-	GVs8.8	-	-
35	-	-	-	-	-	-	-	A4-50 FV8.8	-
40	-	-	-	-	GVs8.8	GVs8.8	GVs8.8	-	-
50	-	-	-	-	FV8.8* GVs8.8	GVs8.8	FV8.8* GVs8.8	A4-50 FV8.8	A4-50 FV8.8
60	-	-	A4-70 FV8.8* GVs8.8	-	GVs8.8	A4-70 FV8.8 GVs8.8	GVs8.8	-	-
65	-	-	-	FV8.8* A4-70 GVs8.8	-	-	-	-	-
80	A4-70* FV8.8* GVs8.8*	A4-70* GVs8.8*	FV8.8*	FV8.8*	GVs8.8	A4-70 FV8.8* GVs8.8	GVs8.8	A4-50	-
100	-	FV8.8*	A4-70 FV8.8* GVs8.8	A4-70 GVs8.8	GVs8.8	GVs8.8	-	-	FV8.8
125	A4-70* GVs8.8*	-	-	-	-	-	-	-	-
150	-	A4-70* GVs8.8*	-	-	-	GVs8.8	-	-	-

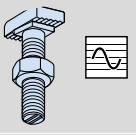
*on request

HALFEN HZA CAST-IN CHANNELS

HALFEN Bolts: Dimensioning

HALFEN HZS Bolts — Load capacity and bending moment

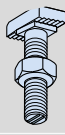
Design resistance HZS with hot-rolled HZA DYNAGRIP® Cast-in channels



DYNAGRIP®
HZA 64/44; HZA 53/34; HZA 41/27;
HZA 38/23; HZA 29/20

Material/Strength class		M12	M16	M20	M24
8.8	$N_{Rd,s,s}$ [kN]	44.9	83.7	130.7	188.3
	$V_{Rd,s,s}$ [kN]	27.0	50.2	78.4	113.0
	$M^0_{Rd,s,s}$ [Nm]	84.0	212.8	415.2	718.4
A4-70	$N_{Rd,s,s}$ [kN]	31.6	58.8	91.7	132.1
	$V_{Rd,s,s}$ [kN]	22.7	42.2	66.0	95.1
	$M^0_{Rd,s,s}$ [Nm]	59.0	149.4	291.0	503.8

Design resistance HZS with cold-rolled HZA Cast-in channels



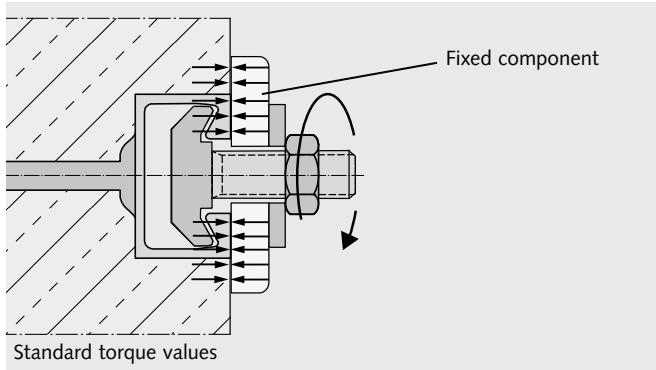
HZA 41/22

Material/Strength class		M12	M16
8.8	$N_{Rd,s,s}$ [kN]	32.3	62.2
	$V_{Rd,s,s}$ [kN]	27.0	50.2
	$M^0_{Rd,s,s}$ [Nm]	84.0	208.8
A4-50	$N_{Rd,s,s}$ [kN]	14.1	22.4
	$V_{Rd,s,s}$ [kN]	10.6	19.8
	$M^0_{Rd,s,s}$ [Nm]	27.7	70.2

Torque values for HALFEN HZS Bolts

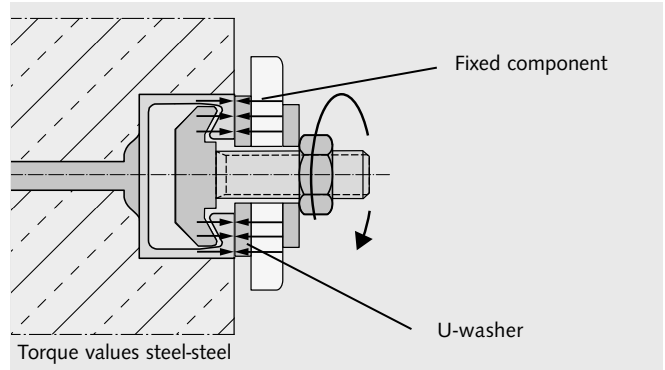
Standard

Components are braced against the concrete and anchor channel.
Torque is applied as in the following table and must not be exceeded.



Steel-Steel

Components are braced against the anchor channels using suitable washers.
Torque is applied as in the following table and must not be exceeded.




Standard: Recommended torque values T_{inst}

HZA Profile	HALFEN Bolt HZS...M [mm]	Torque value T_{inst} [Nm]		
		Steel 8.8	Stainless steel Strength class 50	Stainless steel Strength class 70
41/22	12	30	20	-
	16	40	50	-
29/20	12	35	-	-
38/23	12	55	-	50
	16	75	-	75
41/27	12	75	-	-
	16	125	-	-
53/34	16	135	-	130
	20	165	-	165
64/44	20	315	-	250
	24	375	-	335

Steel-Steel: Recommended torque values T_{inst}

HZA Profile	HALFEN Bolt HZS...M [mm]	Torque value T_{inst} [Nm]		
		Steel 8.8	Stainless steel Strength class 50	Stainless steel Strength class 70
41/22	12	50	20	-
	16	140	50	-
29/20	12	75	-	-
38/23	12	75	-	50
	16	185	-	130
41/27	12	75	-	-
	16	185	-	-
53/34	16	185	-	130
	20	360	-	250
64/44	20	360	-	250
	24	625	-	435

 Torque values apply only for bolts in delivery condition (unlubricated).

HALFEN HZA CAST-IN CHANNELS

Minimum edge distances and minimum bolt spacing

Minimum edge distances and minimum bolt spacing

Anchors must be installed at a minimum distance from the component edges. The distance depends on the selected channel profile. According to the ETA, the spacing between bolts s_{cbo} must not be less than $5 \times d_s$. Reduction of the load bearing capacity is required if $s_{cbo} < s_{sl,N}^*$ (see table on page 29).

The concrete load-bearing capacity must be verified for each individual case using the HALFEN Anchor channel Software!

* $s_{sl,N}$ = centre distance of the bolts
subject to $N_{Rd,s,l}$
See tables on page 29

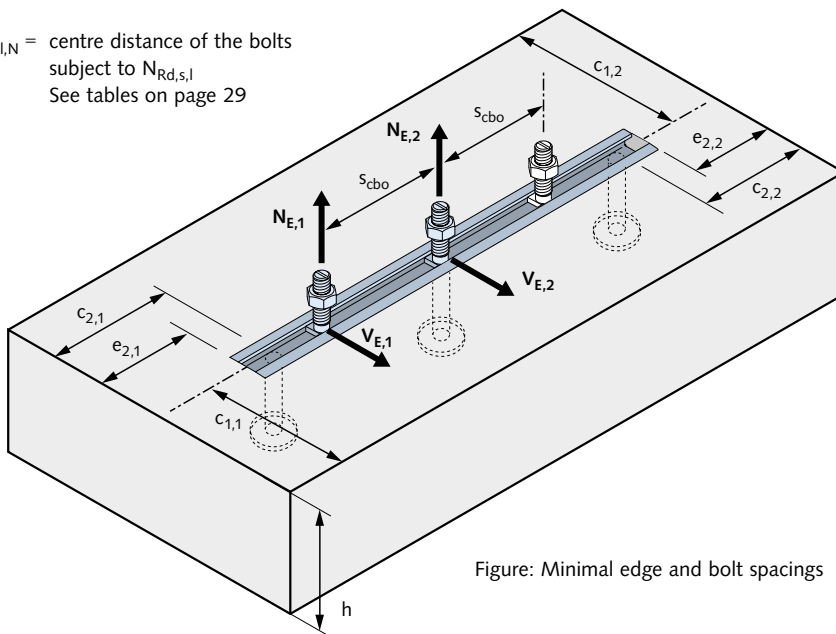


Figure: Minimal edge and bolt spacings

Edge and bolt spacing [mm]				
HZA Profiles	M	$s_{s,min}$	c_{min}	e_{min}
64/44	24	120	125	90
	20	100		
53/34	20	100	100	65
	16	80		
41/27	16	80	75	40
	12	60		
38/23	16	80	75	47
	12	60		
29/20	10	50	50	22
41/22	16	80	50	22
	12	60		

HALFEN HTA-CE/HZA CAST-IN CHANNELS

Installation aids/Further channel parts

ANK-E end anchor; for on-site custom cut-length of HALFEN Cast-in channels

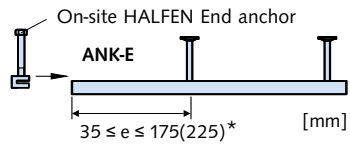
Notes for assembling end anchor, type ANK-E

- Cut the HALFEN Cast-in channel at the selected point. The cut face must be at a right angle to the longitudinal axis of the channel. The end projection "e" should not be less than 35 mm and not more than 175 (225) mm*.
- Select the correct **ANK-E** End anchor for the HALFEN Cast-in channel profile; see table on the right. Slide the clamping element on to the back of the channel. If necessary, push in the foam filler at the end of the channel.
- Tighten the bolt by applying the required torque. See table (right) for correct torque value.

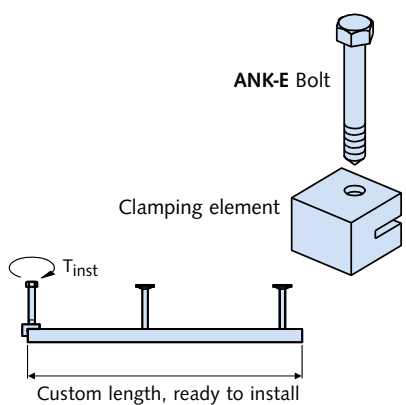
End anchor selection			
for profile	End anchor	Thread	Torque T _{inst} [Nm]
28/15 - FV	ANK-E1 - FV	M8	10
28/15 - A4	ANK-E1 - A4	M8	10
38/17 - FV	ANK-E2 - FV	M10	20
40/25 - FV			
41/22 - FV ①			
38/17 - A4	ANK-E2 - A4	M10	20
40/25 - A4			
41/22 - A4 ①			

① Short HZA 41/22 sections may be used with one end anchor only. Not included in the ETA.

Custom lengths

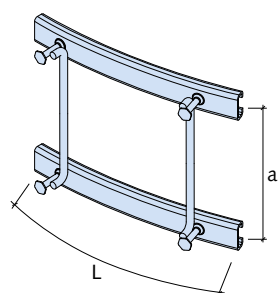


* 175: for 28/15, 38/17
225: for 40/25, 41/22



HALFEN Channel pairs

Material/type:
Channel (Type straight or curved):
FV = Hot-dip galvanized
A4 = Stainless steel
Spacer:
Reinforcement steel B500B or B500B/A NR, Ø 10-16 mm
Recommended for stainless steel type spacers in: B500B/A NR.



Ordering example:
Type: HALFEN Channel pair HTA-CE 38/17
Dimensions: L = 350 mm, a = 200 mm
Material: hot-dip galvanized, with filler
Radius: R_i = ... (for curved type)

HALFEN Corner channel

Material/type:
Channel and anchor:
FV = Hot-dip galvanized
A4 = Stainless steel
Standard type:
a/b = 125/250 mm
Other lengths for a and b and other profiles are available on request

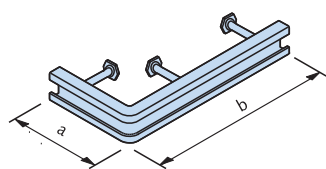


Figure: HTA-CE 38/17 – Corner piece

Area of application:

- fixing for HALFEN Console anchors for supporting brickwork cladding
- other near edge fixings

HALFEN HTA-CE/HZA CAST-IN CHANNELS Installation in pre-stressed concrete

HALFEN Anchor channels, hot-dip galvanized with stainless steel anchors

Requirements

according to EN 1992-1-1/NA
(EC 2 with German National Annex,
2nd edition, 2016, chapter 8.10.1.1)
*"Ensure at least 20mm concrete between
pre-stressed tension strands and galvanized
components."* Otherwise there is a risk of
hydrogen induced cracking.

Solution

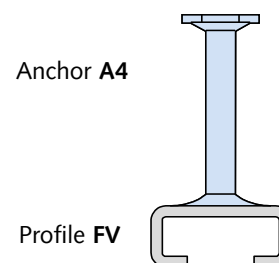
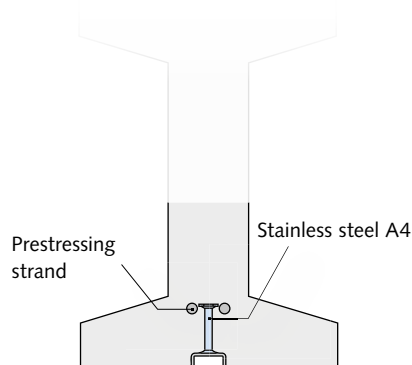
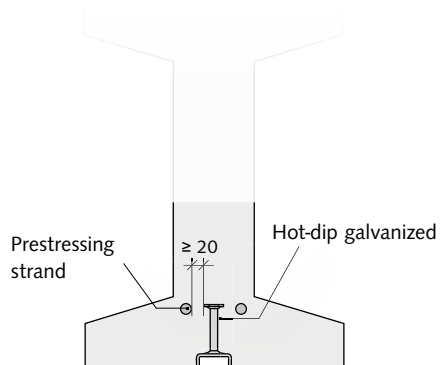
If hot-dip galvanized channels are used
together with stainless steel bolt anchors
then the pre-stressed tension-strands are
allowed to have contact with the stain-
less steel bolt anchor.

Types:

Lengths available:
up to 6.07 m

Available profiles:

- > 50/30P
- > 49/30
- > 40/25
- > 38/17



HALFEN HTA-CE/HZA CAST-IN CHANNELS Installation/Assembly

1.1 Delivery and identification

We can supply ready to install short channels and standard lengths.

Product identification

- ① inside the channel
- ② also on the channel side

1.2 Installing to formwork

If required, HALFEN Cast-in channels can also be cut to size on site.

2.1 Fixing to the formwork, continued

Steel formwork

2.1.5 HALFEN HFK Fixing cone

2.2 Top face installation

2.2.1 directly to reinforcement: with tying wire

2.2.2 with HALFEN HCP ChanClip

2.1 Fixing to the formwork

Timber formwork

2.1.1 with nails

2.1.2 with staples

Steel formwork

2.1.3 aluminium rivets

2.1.4 HALFEN Bolt and nut



2.2.3 Installation using an auxiliary aid



HALFEN HTA-CE/HZA CAST-IN CHANNELS

Installation/Assembly

3.1 Removing the filler

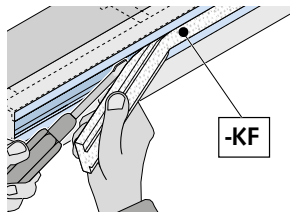
Strip filler, available in two versions:



KF – PE strip filler with reinforcement layer



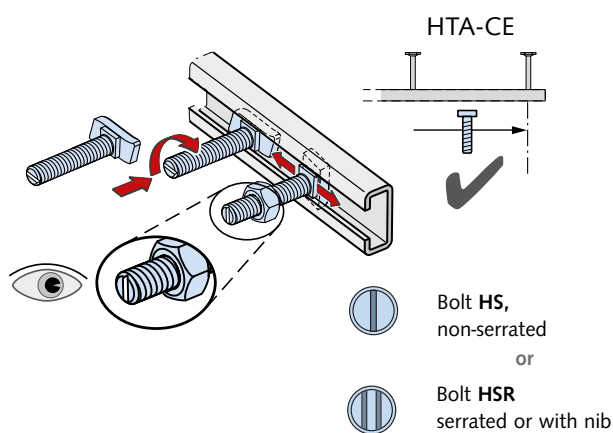
KF – PE strip filler



Removing the strip filler

Grip the strip filler at one end and pull out in one piece by hand; use a tool, e.g. a screwdriver.

4.1 Installing HALFEN Bolts

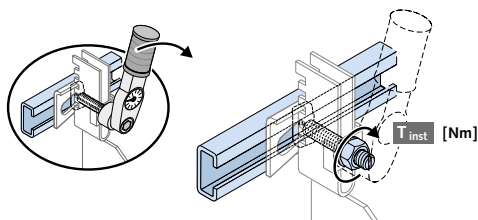


Safe assembly with HALFEN Cast-in channels

HALFEN Bolts can be inserted anywhere in the channel slot, turned 90° and then locked in place by tightening the nut. Do not position bolts at channel ends past the last anchor. On channels with bolt anchors, the anchor locations are visible through the channel slot.

Check

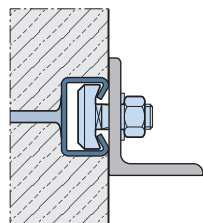
Bolts: After installation check that the bolts are properly aligned; the notch or notches in the tip of the shank must be at right angles to the longitudinal axis of the channel.



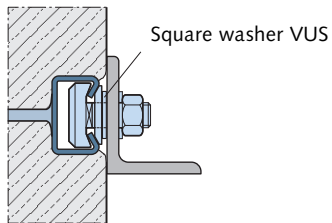
Fixings

The bolt heads must sit flush on both lips of the anchor channel and be secured by tightening the nut with a torque wrench with the required value. Observe the torque values in the tables on page 24 or 32.

Direct attachment ①



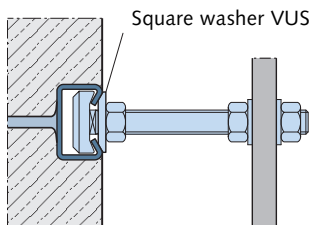
Surface-flush installation



Non-flush installation

- ① If the front surface of the channel is set back from the concrete surface, the attached structure must be shimmed with a washer (VUS). In case of shear stress, add bolt flexure to the tensile force.

Stand-off installation ②



- ② Always install a square washer for stand-off installations.

Example:

HALFEN Channel: HTA-CE 49/30
 HALFEN Bolt: HS 50/30 - M16
 Washer: VUS 49/30 - M16



Assembly instructions on the internet

Multi-language assembly instructions can be found at www.halfen.com ▷ Brochures ▷ Installation Instructions. Or scan the code and select the required document.

HGB HANDRAIL CONNECTIONS

The benefits at a glance

Construction specialists consider the HALFEN HGB Handrail connections to be particularly suited for fastening railings and banisters to the thin front faces of balcony slabs



Safe and reliable

- › statically verified installation
- › no damage to visible surfaces of concrete slabs
- › also suitable to secure mandatory safety rails during construction (Refer to: EN 795 "Guard rails")
- › use with HALFEN high-strength bolts to ensure a reliable and statically sound connection of railing/banister components

Fast and cost-effective

- › adjustable anchorage
- › can also be used in slabs as thin as $h \geq 100$ mm
- › installed with bolts instead of welding or drilling
- › pre-planning reduces on-site construction time
- › all attached components remain fully adjustable or are easily replaced as required



HALFEN HGB HANDRAIL CONNECTIONS

Application examples

SAFETY BARRIERS IN STADIUMS



①-④: Safety barrier installation, multi purpose arena in Berlin



Fixing of safety rails, Rheinenergiestadion Cologne



Fixing of safety rails, Rheinenergiestadion Cologne

RAILINGS



Used to secure safety rails during the construction phase



Cast-in HGB Channel, residential building

HALFEN HGB HANDRAIL CONNECTION

General

Regulatory requirements

Balconies are part of the structural system. *"They must be designed, constructed, maintained and modified in such a fashion that public order and safety, especially to health or life, is not endangered"*. Model building code and construction guidelines (*Musterbauordnung MBO 2020 und Ausführungsvorschriften*).

Technical guidelines issued by public notice as technical building regulations must be observed.* Technical rules provide information on load parameters, calculation, dimensioning of structural

products, construction types, structural layouts etc. A requirement of regional building codes refers to structural stability: *"All structures must, as a whole and in their individual components, be structurally self-supporting"*. This stability must be statically verifiable based on current technical standards.

A further building regulation addresses traffic loads, for example: Balconies and loggias must be fitted with safety rails to prevent falls when they border on to an area with a drop of more than one metre. For a drop height up to 12 m

the minimum railing height is 0.90m measured from the upper surface of the finished floor surface or accessible ledge. For drop heights greater than 12m the banister height must be at least 1.10m. For exceptions see the German federal building regulations/Deutsche LandesBauOrdnung.

Other regulations, not covered here, address the design, dimensioning, required spacings in the guard rail design, fire protection, thermal/sound insulation and rainwater drainage.

* issued by the highest construction supervision authorities of the German Federal States

Regulations, standards and directives (to be observed when designing safety rails)

Regional Building Codes



Individual regional states have their own building codes and regulations. All current technical regulations require proof of structural safety and integrity. A static calculation or a building authority certificate is required when designing and dimensioning the fixings for guard rails.

VOB – Part B, § 4, execution of construction:



§ 4.2 (1) It is the contractor's responsibility to provide the static documentation in accordance with the contract. He has to observe the recognized standards of practice as well as with the provisions of the law and regulatory directives. Tender and Contract Regulations for the German building industry (*VOB Vergabe- und Vertragsordnung für Bauleistungen*) Part B, § 4.3, requires the contractor to report to the customer, in writing, any obvious design flaws, which he as the expert must be able to recognize. He alone is responsible for any resulting defect and consequential expenses. If he has satisfied his reporting obligation, the responsibility for the defect passes to the customer (defect example: banister attachment mounted in a concrete slab which is too thin).

BVM Directive

Directive on metal railings/banisters/balustrades, published by Federal Association of German Metalworkers (*BVM Berufsverband Metall*).

- Accident Prevention Regulation "General Provisions" (DGUV Regulation 1)
- Industrial Safety Regulations
- ETB – Directive "Fall Prevention Installations", Publ. 1985
- Stainless Steels, EC3 part 1-4

Other applicable regulations and standards (Extract):



- EN 1992-1-1 (EC2): Design and construction of concrete support structures; with National Annex (NA)
- EN 1991 (EC1): General effects on load structures; with National Annex (NA)
- EN 1993 (EC3): design and construction of steel structures; with National Annex (NA)

HALFEN HGB HANDRAIL CONNECTION

Materials/Corrosion Protection

Stainless Steel A4:

Chromium is the most important alloy element in stainless steel. A specific chromium concentration ensures the generation of a passive layer on the surface of the steel that protects the base material against corrosion. This explains the high corrosion resistance of stainless steel.



"Anchor channels in stainless steel may be used outdoors – also in an industrial and coastal environment, but may not be directly exposed to salt water".

See guidelines for "Metal railings, banisters and balustrades" issued by the German Association of Metalworkers (BVM Bundesverband der Metallverarbeiter).

HALFEN Cast-in channels, stainless steel

Description	Stainless steel		
	Materials	Standard	Corrosion resistance class according to EN 1993-1-4, table A.3
Channel profile	1.4404 or 1.4571 ■	EN 10 088	III
Ribbed-head anchor	Reinforcing steel B500B □ Reinforcing steel BSt 500NR ■	DIN 488	

HALFEN Bolts, stainless steel

Description	Stainless steel		
	Materials	Standard	Corrosion resistance class according to EN 1993-1-4, table A.3
Bolt	A4-70: 1.4404 or 1.4571 ■	EN 3506-1 and EN 10 088	III
Hexagonal nut	A4-70: 1.4404 or 1.4571 ■	EN 3506-2 and EN 10 088	III
Washer	1.4404 or 1.4571 ■	EN 10 088	III

□ WB = Steel mill finish

■ A4 = Stainless steel

Available on request:

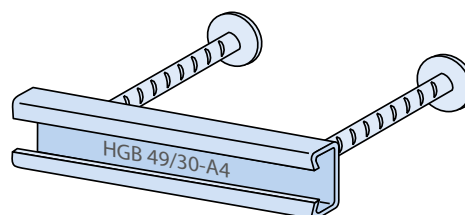
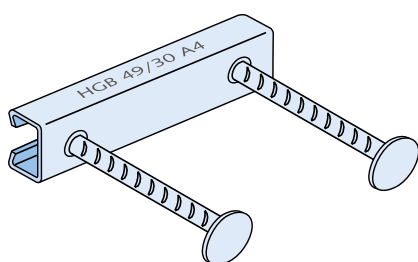
Galvanized material for interior, dry rooms, for instance when installing staircase railings and banisters in residential buildings, schools or commercial retail stores.

Hot-dip galvanized FV:

Dipped in a galvanizing bath, with a temperature of approx. 460 °C; this method will primarily be used for your requested channels and bolts.



Identification of HALFEN HGB Cast-in channels



Product identification

- > on channel side
- > additionally inside the profile

HALFEN HGB HANDRAIL CONNECTION

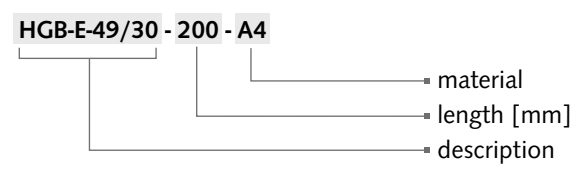
Product Range

HALFEN HGB Cast-in channels and bolts										
Item description	Dimensions HGB-E [mm]				Dimensions HGB-EE [mm]				HALFEN HS Bolts	
	l	d _A	h _A	Weight kg/each G	l ₁ / l ₂	d _A	h _A	Weight kg/each G	Type / FK	Dimensions
HGB E - 54/33-A4 ■ 	100	14	200	1.071	170/170	14	250	2.262	HS-50/30 A4-70	M12×40 M16×50
	150			1.307						
	200			1.543						
HGB E - 49/30-A4 ■ 	100	12	110	0.704	170/170	14	150	1.501	HS-50/30 A4-70	M12×40 M16×50
	150			0.855						
	200			1.007						
HGB E - 40/25-A4 ■ 	100	10	90	0.611	170/170	14	90	1.042	HS-40/22 A4-70	M12×40 M16×40
	150			0.717						
	200			0.822						
HGB E - 38/17-A4 ■ 	100	10	201	0.824	170/170	12	201	1.214	HS-38/17 A4-70	M12×40 M16×40
	150			0.911						
	200			0.999						

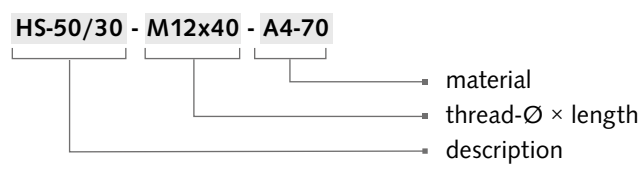
■ A4=Stainless steel 1.4571/1.4404 Alternative for interior use (on request) ■ FV=Steel hot-dip galvanized 1.0038/1.0044

Ordering and materials

Ordering example HGB channel:

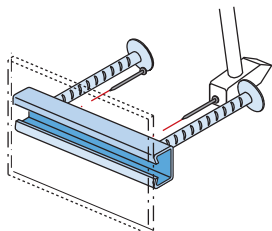


Ordering example HALFEN Bolt:



HALFEN HGB HANDRAIL CONNECTION Installation/Assembly

1 Nail the HALFEN Cast-in channel to the formwork

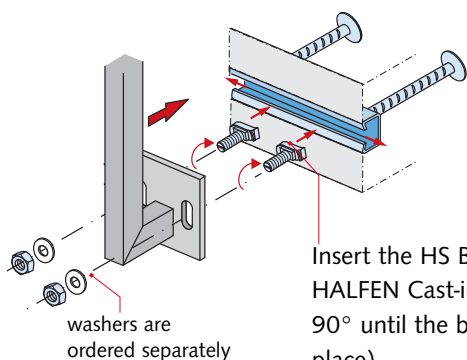


Where possible, use stainless steel nails to avoid corrosion.
After striking the formwork remove the foam filler from the HALFEN Cast-in channels.



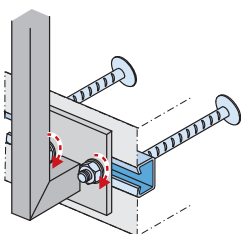
Nail the HALFEN Cast-in channel to the formwork

2 Installation and adjustment of balustrades



Insert the HS Bolts into the HALFEN Cast-in channel (turn 90° until the bolt locks into place).
washers are ordered separately

3 Tighten the bolts



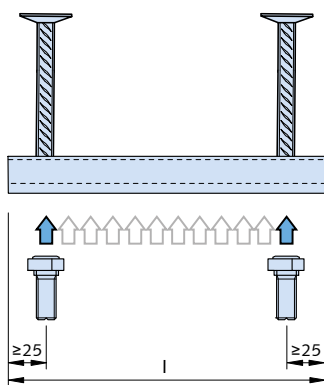
Tighten the nuts using a torque wrench. See table on the right for torque values

Railing bolts

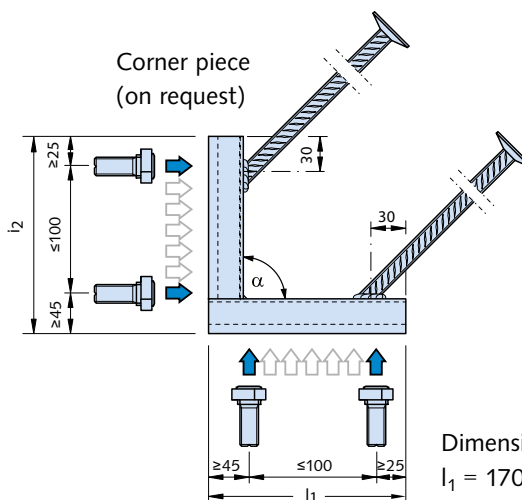
Stainless steel Material grade A4-70	Torque [Nm]	
	M16	M12
HS 50/30 for profile 49/30 and 54/33	60	25
HS 40/22 for profile 40/25	45	25
HS 38/17 for profile 38/17	40	25

Fixing position of the bolts

Short piece



Corner piece (on request)



Dimensions [mm]:
 $l_1 = 170$, $l_2 = 170$, $\alpha = 90^\circ$

HALFEN HGB HANDRAIL CONNECTION

Dimensioning Fundamentals

Railing height

The minimum height h_b of a railing is 0.90 m from the top surface of the finished floor or accessible ledge to the upper edge of the rail. For drop heights of more than 12.0 m the railing must be at least 1.10 m in height. (Exceptions; as specified in regional building codes)

It would be advisable to have one uniform minimum height of 1.00 m as has already been mandated in the commercial sector and in a number of European countries.

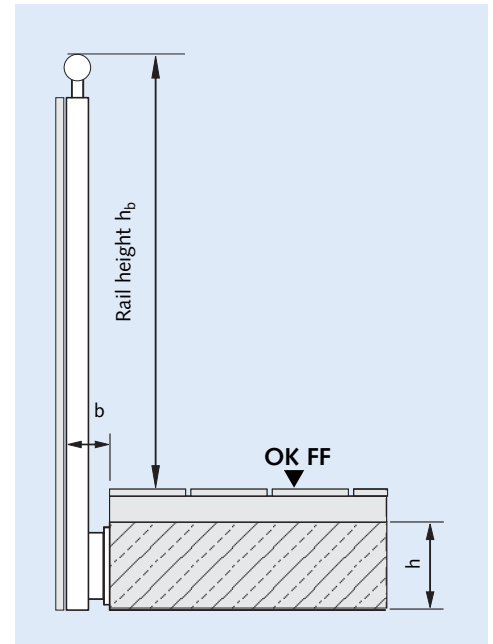
Balcony slab

Anchor channels or dowel installations require concrete of at least C 20/25 grade. A case-by-case decision must be made if the concrete grade is less than C 20/25 grade or is unknown.

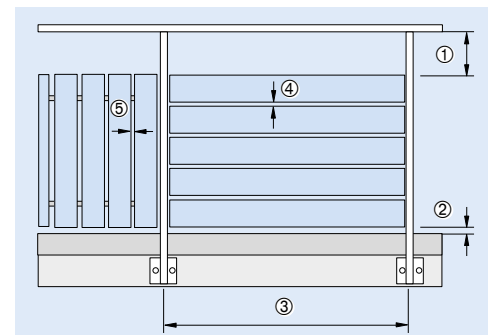
The thickness of the balcony slab must be at least $h = 100-150$ mm when the HGB is cast in the slab edge (depends on channel profile and according to the German HGB approval). Other types of installation and systems require a thicker slab. All weather-exposed concrete-embedded installations (e.g. for balconies) must be made of stainless steel.

Spacings

Any structural design must take all basic requirements for railings and banisters into account. As a general rule, all railings and banisters must be designed so that personal injury is ruled out, for instance with correct spacing of rails, lattice bars or panels. They should also be designed so as not to entice but instead to discourage anyone from climbing over. The specific requirements for guard rail design are determined by the intended use (residential, public, commercial) and the drop height involved. Also observe the building codes of each country or region, the ETB guidelines "Fall Protection Components" and DIN 18065 (Stairs in Buildings – definition, rules, key measurements) and guard rail regulation applicable at the construction site. In Germany these are the Guardrail regulations 2020 set by the German Association of Metalworkers, ("Geländer-Richtlinie 2020, BVM Berufsverband Metall").



b = clear distance between the back of the balcony cladding and the front face of the balcony slab or gutter / kick plate



- ① clear distance between bottom edge of hand rail and top edge of facing / lower structure
- ② clear distance between the top edge of the finished floor and the bottom edge of the facing lower structure
- ③ axis spacing between posts
- ④ clear distance between horizontal facings
- ⑤ clear distance between vertical facings

HALFEN HGB HANDRAIL CONNECTION

Dimensioning

Dimensions

The forces acting on the railing must be transferred into the main building structure. It is necessary to verify that the forces

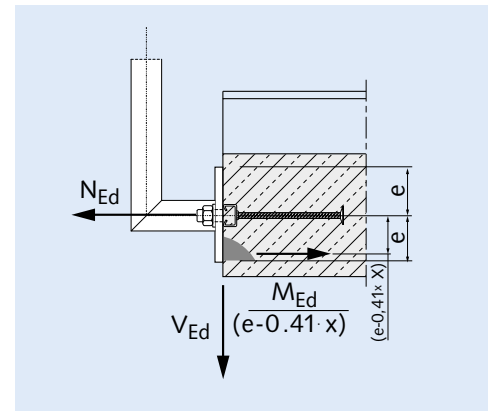
- are wholly supported by the railing and
- can be transferred via the connecting elements into the balcony slab.

$$N_{Ed} = \frac{M_{Ed}}{(e - 0.41 \cdot x)} + H_{Ed}$$

N_{Ed} = tensile force on the anchor

e = distance between channel axis and outer edge of the railing base plate

x = maximum concrete pressure zone level according to annex 8, table 8a and 8b



Railing heights

Drop height	Minimum height of rails (recommended)	Note
Less than 12 m	90 cm (100 cm)	Relevant regional building regulations and if necessary other regulations e.g. for civil constructions must be observed.
Greater than 12 m	110 cm	

Calculation

1. Railing/banister load h according to EN 1991-1-1/NA Table 6.12 DE

"Calculation must assume 100% traffic load in drop direction and 50% of traffic load (but not less than 0.5 kN/m) in the opposite direction."



for example: residential buildings and communal areas with low foot traffic	$q_k = 0.5 \text{ kN/m}$
for example: rooms for mass assembly, commercial sales spaces, corridors	$q_k = 1.0 \text{ kN/m}$
for example: areas for large gatherings of people, factories, workshops	$q_k = 2.0 \text{ kN/m}$

2. Vertical loads v according to BVM* guidelines

Load assumptions to calculate vertical loads are according to the BVM guidelines for guard rails/banisters.



from dead weight of structure including any renders	$v_1 = 0.40 \text{ kN/m}$
from window box	$v_2 = 0.35 \text{ kN/m}$
support capacity	$v_3 = 0.15 \text{ kN/m}$

3. Wind loads

F_w according to EN 1991-1-4 and EN 1991-1-4/NA



Velocity force q in kN/m^2 and total wind pressure F_w are calculated according to EN 1991-1-4 with EN 1991-1-4/NA.
--

*German Association of Metalworkers (BVM Bundesverband der Metallverarbeiter)

HALFEN HGB HANDRAIL CONNECTION

Dimensioning

Extract from HGB approval Z-21.4-1912, page 6

3.2.2 Actions and required verifications

The actions H_{Ed} , V_{Ed} , M_{Ed} and N_{Ed} have to be determined according to the calculation basics as in annex 7. The ratio in the design calculation between horizontal action and bending moment is limited to:

$$\frac{H_{Ed}}{M_{Ed}} \leq 1.5 [1/m] \quad H_{Ed} \text{ [kN]}; M_{Ed} \text{ in [kNm]}$$

It has to be verified that the design action value E_d does not exceed the design resistance value R_d :

$$E_d \leq R_d \quad \text{see table 3.1 and 3.2 below}$$

E_d = Design action value (N_{Ed} , V_{Ed} , M_{Ed})
 R_d = Design resistance value (N_{Rd} , V_{Rd} , M_{Rd})

For a standard case the following equation for the design action value applies (permanent load and variable load acting in the same direction):

$$E_d = \gamma_G \cdot G_k + \gamma_Q \cdot Q_k$$

G_k, Q_k = characteristic value of permanent load or variable load according to recognized standards for load assumptions
 γ_G, γ_Q = partial safety factors for permanent and variable action

Extract from HGB approval no. Z-21.4-1912, page 7

Table 3.1 Required verifications for tensile loads

Steel failure	$N_{Ed} \leq N_{Rd,s}$ $\leq N_{Rd,s,s} \text{ (for single-bolt fixing)}$ $\leq 2 N_{Rd,s,s} \text{ (for two-bolt fixing)}$
Pull out failure	
Concrete failure with anchor reinforcement	
Spalling	

Table 3.2 Required verifications for shear loads

Steel failure	$V_{Ed} \leq V_{Rd,s}$ $\leq V_{Rd,s,s} \text{ (for single-bolt fixing)}$ $\leq 2 V_{Rd,s,s} \text{ (for two-bolt fixing)}$
Concrete failure with anchor reinforcement	
Concrete edge failure with anchor reinforcement	$V_{Ed} \leq V_{Rd,c}$
	$M_{Ed} \leq M_{Rd,c}$

With combined loads the following interactions must be verified:

- $$\max. (N_{Ed} / N_{Rd,s})^2 + \max. (V_{Ed} / V_{Rd,s})^2 \leq 1.0$$

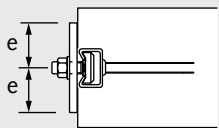
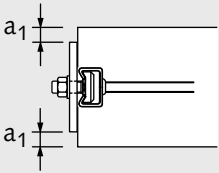
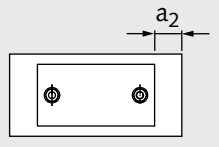
or

$$\max. (N_{Ed} / N_{Rd,s}) + \max. (V_{Ed} / V_{Rd,s}) \leq 1.2$$
- $$M_{Ed} / M_{Rd,c} + 1.5 V_{Ed} / V_{Rd,c} \leq 1.5 \quad \text{for } 0.333 \leq V_{Ed} / V_{Rd,c} \leq 1.0$$

HALFEN HGB HANDRAIL CONNECTION

Dimensioning

Extract from HGB-approval no. Z-21.4-1912, annex 6

Table 6: Installation and anchor parameters					
Description	Illustration	Anchor channels profiles			
		38/17	40/22 40/25	50/30 49/30	52/34 54/33
A) Profile shape and bolt positioning					
Minimum channel length required for a two-bolt fixing [mm]	annex 2	150	150	150	150
Minimum bolt distance p [mm]	see next page	80	80	80 (100) ①	80 (100) ①
B) Building element dimensions and anchor position in the element					
Minimum thickness of concrete element h [mm]	annex 8	100	120	140	150
Minimum edge distance c_1 [mm] (channel axis to the upper and the lower edge of the concrete element)	annex 8	50	60	70	75
Minimum distance a_e [mm] to edge of concrete element (from end of channel)	see next page	40	45	50	50
C) Size and position of anchor plate					
Minimum distance e [mm] from the channel axis to the upper and the lower edge of the anchor plate		30	30	35	37.5
Minimum distance a_1 [mm] from the upper and lower edge of the anchor plate to the upper and lower edge of the concrete element ②		10	10	10	10
Minimum distance a_2 [mm] from the outer edge of the anchor plate to the edge of the concrete element		40	45	45	45
① The values in brackets apply when using M20 bolts					
② In components with a weather groove, the bottom of the groove is regarded as the concrete element edge					

HALFEN HGB HANDRAIL CONNECTION

Dimensioning

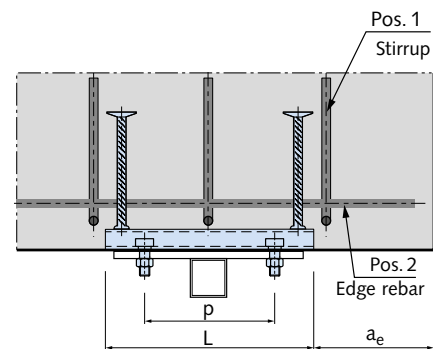
Extract; HGB approval no. Z-21.4-1912, annex 6

Table 7: Size and position of required minimum reinforcement

Description	Anchor channels			
	38/17	40/25	49/30	54/33
Stirrup / Quantity	3 Ø 8 $l_b = 200 \text{ mm}$	3 Ø 8 $l_b = 250 \text{ mm}$	3 Ø 10 $l_b = 300 \text{ mm}$	3 Ø 12 $l_b = 400 \text{ mm}$
Edge rebar, top and bottom [mm]	Ø 8	Ø 8	Ø 10	Ø 12

Required minimum reinforcement:

One stirrup is placed centrally between the channel anchors and one stirrup directly next to each anchor at the channel ends (if positioned near to the edge, between the anchor and component edge).



Extract; HGB approval no. Z-21.4-1912, annex 8

Table 9: Design resistance for each bolt

Tensile				
Bolts Ø		M12	M16	M20
$N_{Rd,s,s}$ [kN]	4.6	16.9	31.4	49.0
	8.8	44.9	83.7	130.7
	A4-, HC-50	14.8	27.4	42.8
	A4-70*	31.6	58.8	91.7
Shear				
$V_{Rd,s,s}$ [kN]	4.6	12.1	22.6	35.2
	8.8	27.0	50.2	78.4
	A4-, HC-50	10.6	19.8	30.9
	A4-70*	22.7	42.2	66.0

* Values also apply for all stainless steels of strength class 70 (see also HGB approval, annex 4)

Design resistance of concrete pressure zone

$$M_{Rd,c} = 0.81 \cdot x \cdot b \cdot \frac{f_{ck}}{\gamma_{Mc}} (e - 0.41 \cdot x)$$

where:

- x = maximum height; concrete pressure zone (see table 8a and 8b)
- b = width of pressure zone = width of anchor plate b_p
- f_{ck} = characteristic compression strength of concrete in accordance with EN 206-1:2001-07, for concrete strength $\geq C30/37$ only calculate using $f_{ck} = 30 \text{ N/mm}^2$
- e = distance between anchor channel axis and outer edge of the anchor plate (see illustration on page 49, table 8)
- $\gamma_{Mc} = 1.5$ (partial safety factor)

HALFEN HGB HANDRAIL CONNECTION

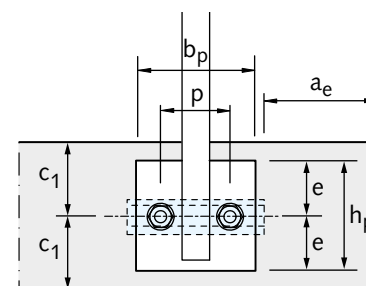
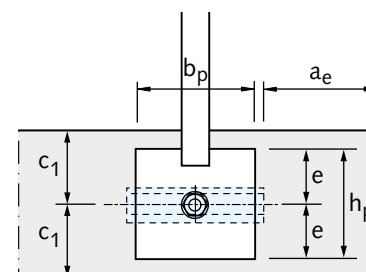
Dimensioning

Extract, HGB-approval no. Z-21.4-1912, annex 8

Table 8a: Design resistance of the channel using single-bolt fixing					
Channel type		38/17	40/25	49/30	54/33
Minimum thickness of component h [mm]		100	120	140	150
Steel failure (single-bolt fixing)					
Tension	$N_{Rd,s}$ [kN]	10.0	11.1	17.2	30.6
Shear	$V_{Rd,s}$ [kN]	10.0	11.1	17.2	30.6
Concrete failure (single-bolt fixing)					
$V_{Rd,c}$ [kN]		6.7	9.0	11.7	12.7
Maximum height of concrete pressure zone x		$0.25 \cdot e^{\text{①}}$	$0.25 \cdot e^{\text{①}}$	$0.30 \cdot e^{\text{①}}$	$0.40 \cdot e^{\text{①}}$

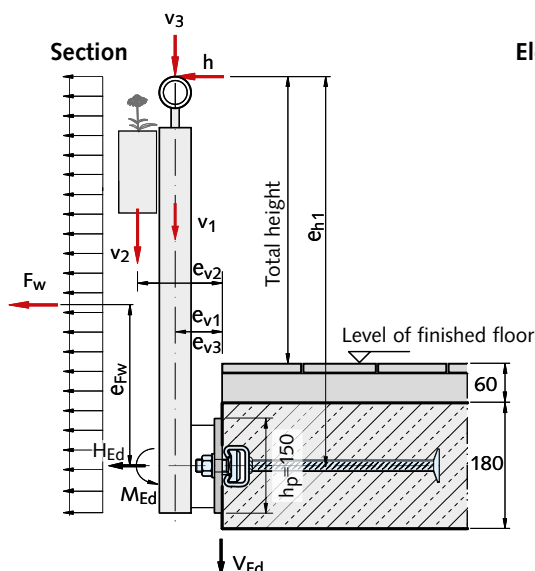
Table 8b: Design resistance of the channel using a two-bolt fixing					
Profile		38/17	40/25	49/30	54/33
Minimum thickness of component h [mm]		100	120	140	150
Steel failure (two-bolt fixing)					
Tension	$N_{Rd,s}$ [kN]	15.0	16.7	25.8	45.8
Shear	$V_{Rd,s}$ [kN]	15.0	16.7	25.8	45.8
Concrete failure (two-bolt fixing)					
$V_{Rd,c}$ [kN]		6.7	9.0	11.7	12.7
Maximum height of concrete pressure zone x		$0.25 \cdot e^{\text{①}}$	$0.25 \cdot e^{\text{①}}$	$0.30 \cdot e^{\text{①}}$	$0.40 \cdot e^{\text{①}}$

① e = distance between the anchor channel axis and outer edges of the anchor plate. For asymmetrical anchor plates the smallest distance to the outer edge of the anchor plate is used for calculation.

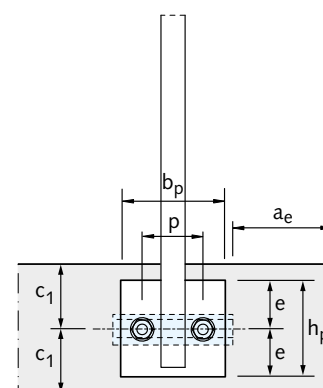


Dimensioning example HALFEN HGB Guard rail fittings

- M_{Ed} = used to calculate applicable moment relative to the channel axis
- e_{v1}, e_{v2}, e_{v3} = distance of the vertical loads to the front edge of the channel
- e_{h1}, e_{Fw} = distance of the horizontal loads to the front edge of the channel
- H_{Ed} = used to calculate the applicable horizontal effect
- V_{Ed} = used to calculate the applicable vertical effect
- h, F_w = horizontal load effects
- v_1, v_2, v_3 = vertical load effects
- b_p, h_p = anchor plate width and height



Elevation



HALFEN HGB HANDRAIL CONNECTION

Calculation Example

Calculation example

Post spacing	1.5 m
Post height from FFL	1.0 m
Structure height	9.0 m < 25.0 m
Railing/banister load	0.5 kN/m (residential buildings)
Concrete slab thickness	180 mm

Distance of channel axis to component edge	$c_1 = 90$ mm
Width of railing/banister anchor plate	$b_p = 150$ mm
Height of railing/banister anchor plate	$h_p = 150$ mm

Bolt spacing	$p = 80$ mm
Concrete strength	C30/37

Load

Vertical loads:

Dead load, railing/banister including siding	$v_1 = 0.40$ kN/m
Dead load, flower box	$v_2 = 0.35$ kN/m
Vertical traffic load on the railing/banister	$v_3 = 0.15$ kN/m

Horizontal loads:

Railing/banister load	$h = 0.50$ kN/m
Wind force	$q = 0.50$ kN/m ²

(according to EN 1991-1-4 NA. B. 3)
(assumption: building height 9.0 m < 10.0 m, not prone to resonance frequency, inland wind zone 1)

Cantilevers:

$$e_{h1} = 1.0 + 0.06 + \frac{0.18}{2} = 1.15 \text{ m}$$

$$e_{Fw} = \frac{(1.15 + 0.075)}{2} - 0.075 = 0.53 \text{ m}$$

$e_{v1} = 0.10$ m
$e_{v2} = 0.20$ m
$e_{v3} = 0.10$ m

Wind load bearing zone:

$$A = (1.00 + 0.06 + \frac{0.18}{2} + \frac{0.15}{2}) \cdot 1.5 = 1.84 \text{ m}^2$$

External pressure coefficient (acc. to table 7.1 EN 1991-1-4):

$h/d = 1$, area B
$c_{pe,1} = -1.1$ (wind-suction)
$c_{pe,10} = -0.8$ (wind-suction)

according to EN 1991-1-4 chapter 7.2.1
the following is valid:
 $1 \text{ m}^2 < A \leq 10 \text{ m}^2$

$$c_{pe} = c_{pe,1} + (c_{pe,10} - c_{pe,1}) \cdot \lg A = -1.1 + (-0.8 + 1.1) \cdot \lg 1.84 = -1.02$$

Wind suction:

$$F_w = c_{pe} \cdot q \cdot A = -1.02 \cdot 0.50 \cdot 1.84 = -0.94 \text{ kN}$$

Action per support:

Wind load	$F_{w,Ed} = -0.94 \cdot 1.5 = -1.41$ kN (suction) with $\gamma_F = 1.5$
Railing/banister	$H_{Ed} = 0.5 \cdot 1.5 \cdot 1.5 = 1.13$ kN with $\gamma_F = 1.5$
Dead load railing/banister	$V_{1,Ed} = 0.40 \cdot 1.5 \cdot 1.35 = 0.81$ kN with $\gamma_F = 1.35$
Load from flower box	$V_{2,Ed} = 0.35 \cdot 1.5 \cdot 1.35 = 0.71$ kN with $\gamma_F = 1.35$
Vertical load on railing/banister	$V_{3,Ed} = 0.15 \cdot 1.5 \cdot 1.5 = 0.34$ kN with $\gamma_F = 1.5$

Determining bearing reactions H_{Ed} , V_{Ed} and M_{Ed}

Not classed as an utility (escape-route) balcony therefore combination with wind load is not required.

Load case 1: V + railing/banister load

$$M_{Ed} = 0.81 \cdot 0.10 + 0.71 \cdot 0.20 + 0.34 \cdot 0.10 + 1.13 \cdot 1.15 = \mathbf{1.56 \text{ kNm}}$$

$$V_{Ed} = 0.81 + 0.71 + 0.34 = \mathbf{1.86 \text{ kN}}$$

$$H_{Ed} = \mathbf{1.13 \text{ kN}}$$

Load case 2: V + wind

$$M_{Ed} = 0.81 \cdot 0.10 + 0.71 \cdot 0.20 + 1.41 \cdot 0.53 = \mathbf{0.97 \text{ kNm}}$$

$$V_{Ed} = 0.81 + 0.71 = \mathbf{1.52 \text{ kN}}$$

$$H_{Ed} = \mathbf{1.41 \text{ kN}}$$

Selected:

HGB-E 49/30, l = 200 mm, A4 stainless steel

Bolt spacing p = 80 mm

2 bolts HS 50/30 M12, A4-70,

Required minimum reinforcement:

Stirrups 3 Ø 10, l_b = 300 mm

(see page 48 approval extract → annex 6, table 7),

Edge rebar 2 Ø 10

Splitting the moment into a load pair

$$N_{Ed} = \frac{M_{Ed}}{(e - 0.41 \cdot x)} + H_{Ed}$$

$$e = \frac{h_p}{2} = 75 \text{ mm} \quad (\text{see approval no. Z-21.4.1912 annex 7})$$

$$x = 0.30 \cdot e = 0.30 \cdot 75 = 22.5 \text{ mm}$$

see page 49 (approval extract → annex 8 / table 8b)

$$e - 0.41 \cdot x = 75 - 0.41 \cdot 22.5 = 65.8 \text{ mm}$$

HALFEN HGB HANDRAIL CONNECTION

Calculation Example

Load case 1: V + railing/banister load

$$N_{Ed} = \frac{1.56 \text{ kNm}}{0.0658 \text{ m}} + 1.13 \text{ kN} = 24.84 \text{ kN} \rightarrow \text{decisive}$$

$$V_{Ed} = 1.86 \text{ kN} \rightarrow \text{decisive}$$

Load case 2: V + wind

$$N_{Ed} = \frac{0.98 \text{ kNm}}{0.0658 \text{ m}} + 1.41 \text{ kN} = 16.30 \text{ kN}$$

$$V_{Ed} = 1.52 \text{ kN}$$

Verifications

Geometrical boundry conditions according to approval Z-21.4-1912 annex 6, table 6 have been met.

Verification of steel capacity

Design resistance (steel) channel HGB 49/30 using 2 bolt fixing

$$N_{Rd,s} = 25.8 \text{ kN} \quad \text{see page 49 (approval extract} \rightarrow \text{annex 8, table 8b)}$$

$$V_{Rd,s} = 25.8 \text{ kN}$$

Channel, centric pull load

$$\frac{N_{Ed}}{N_{Rd,s}} = \frac{24.84}{25.8} = 0.96 < 1 \quad \checkmark$$

Channel, shear load

$$\frac{V_{Ed}}{V_{Rd,s}} = \frac{1.86}{25.8} = 0.07 < 1 \quad \checkmark$$

Channel, interaction

$$\left(\frac{N_{Ed}}{N_{Rd,s}}\right)^2 + \left(\frac{V_{Ed}}{V_{Rd,s}}\right)^2 = \left(\frac{24.84}{25.8}\right)^2 + \left(\frac{1.86}{25.8}\right)^2$$

$$= 0.93 + 0.01 = 0.94 < 1 \quad \checkmark$$

Design resistance (steel) **bolt M12, A4-70**

$$N_{Rd,s,s} = 31.6 \text{ kN} \quad \text{see page 48 (approval extract} \rightarrow \text{annex 8, tab.9)}$$

$$V_{Rd,s,s} = 22.7 \text{ kN}$$

Bolt, centric pull load

$$\frac{0.5 \cdot N_{Ed}}{N_{Rd,s,s}} = \frac{0.5 \cdot 24.84}{31.6} = 0.39 < 1 \quad \checkmark$$

Bolt, shear load

$$\frac{0.5 \cdot V_{Ed}}{V_{Rd,s,s}} = \frac{0.5 \cdot 1.86}{22.7} = 0.04 < 1 \quad \checkmark$$

Bolt, interaction

$$\left(\frac{0.5 \cdot N_{Ed}}{N_{Rd,s,s}}\right)^2 + \left(\frac{0.5 \cdot V_{Ed}}{V_{Rd,s,s}}\right)^2 = 0.39^2 + 0.04^2 = 0.15 < 1 \quad \checkmark$$

Verification of concrete capacity

Design resistance concrete

$$V_{Rd,c} = 11.7 \text{ kN}$$

see page 49 (annex 8, table 8b)

$$M_{Rd,c} = 0.81 \cdot x \cdot b \cdot \frac{f_{ck}}{\gamma_{Mc}} \cdot (e - 0.41 \cdot x)$$

$$M_{Rd,c} = 0.81 \cdot 22.5 \cdot 150 \cdot \frac{30}{1.5} \cdot 65.8 = 3597615 \text{ Nmm}$$

$$= 3.60 \text{ kNm}$$

Concrete edge failure

$$\frac{V_{Ed}}{V_{Rd,c}} = \frac{1.86}{11.7} = 0.16 < 1 \quad \checkmark$$

$$\frac{M_{Ed}}{M_{Rd,c}} = \frac{1.56}{3.60} = 0.43 < 1 \quad \checkmark$$

$$\frac{V_{Ed}}{V_{Rd,c}} = 0.16 < 0.333 \rightarrow \text{According to the approval verification of interaction is not required, see page 46 (approval extract / page 7).}$$

Verifying the ratio between horizontal action and bending moment

$$\frac{H_{Ed}}{M_{Ed}} = \frac{1.13 \text{ kN}}{1.56 \text{ kNm}} = 0.72 < 1.5$$

\rightarrow Design model is applicable
see page 46 (approval extract / page 6)

HALFEN HTU-S CAST-IN CHANNEL FOR FIXING PROFILED SHEET METAL

The benefits at a glance

The HALFEN HTU-S Cast-in channel is ideal for fixing all types of profiled sheets – easy and simple with self-drilling screws. Suitable for both shear loads and tension loads.

Thanks to the innovative channel design with its corrugated sides and filler, the new generation of HALFEN HTU Cast-in channel is installed entirely in the required concrete cover. This avoids any problem with the required reinforcement.



HALFEN HTU-S 60 Cast-in channel
for fixing profiled sheet metal



HALFEN HTU-S 100 Cast-in channel
for fixing profiled sheet metal

Safe and reliable

- › innovative geometry and corrugated edging ensure reliable anchorage
- › polystyrene filler prevents the self-drilling screw from hitting concrete
- › building authority approved
- › the type stamp on the channel back ensures identification after installation

Efficient and economical

- › simple installation in the required concrete cover
- › one channel type irrespective of the reinforcement layout
- › simple installation in the precast plant



Fixing of trapezoidal sheet metal roof element



Façade fixed using HALFEN HTU Cast-in channels
(Cologne Bonn Airport)

HALFEN HTU-S CAST-IN CHANNELS

General/product range

The HALFEN Cast-in channel for fixing trapezoidal sheet metal has a U-shaped cross-section with the sides angled outwards. The corrugated sides of the channel provide a positive-lock with the concrete.

Both HTU-S Channel types (60 and 100mm) allow various bolt fixing and layout options. HALFEN HTU-S Cast-in channels are building authority approved. Approval: DIBt no. Z-21.4-2096



Fixing trapezoidal sheet metal using self-drilling screws

Area of application	Fixing of trapezoidal sheeting or wall-cladding elements using building authority or ETA approved self-drilling screws. Installed flush with the surface of precast concrete elements; concrete strength C25/30 up to C50/60, cracked or non-cracked.
Materials/corrosion protection	HTU Channel made of zinc-plated steel may be installed in environments of C1 to C3 corrosion category acc. to EN ISO 12944-2:2018-04.

Available lengths:

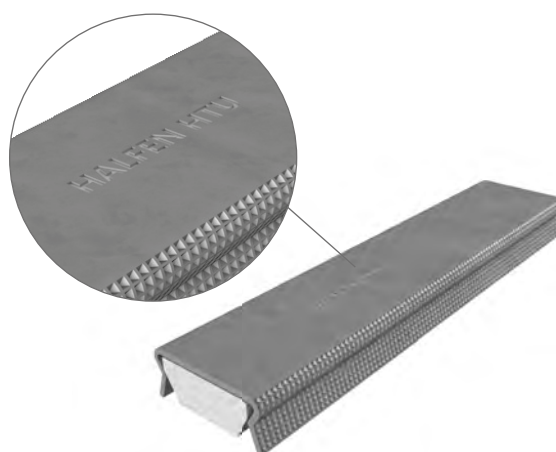
HTU-Channels are available in 3000 or 6000 mm lengths.

Order example HTU-S Channel, width 60 mm :

HTU 60/25/2,5-S

6000

length [mm]
product name



Identification

Original HALFEN Cast-in channels for fixing trapezoidal sheet metal can be identified by the stamp on the back of the channel displaying the brand name and the product description 'HALFEN HTU'.

Detailed installation instructions for the self anchoring HALFEN HTU-S Channel can be found at:
www.halfen.com ▷ Brochures ▷ Installation Instructions ▷ Fixing systems

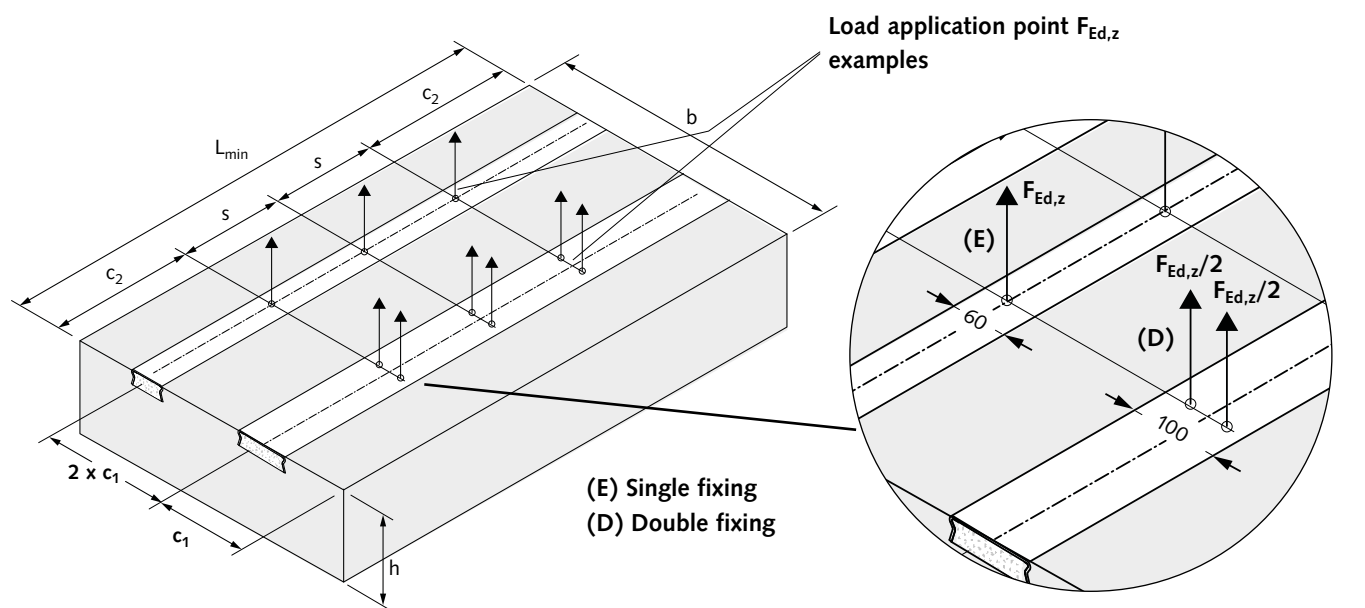


HALFEN HTU-S CAST-IN CHANNELS

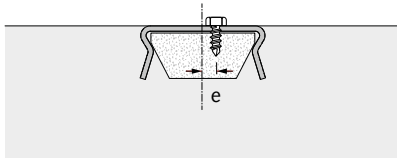
Dimensioning

Anchorage must be planned in accordance with engineering standards. Verification of direct local force transmission from the channel into the concrete has been provided if the approved values are complied with. Connecting accessories must be verified separately. Technical design must comply with building authority approval no. Z-21.4-2096.

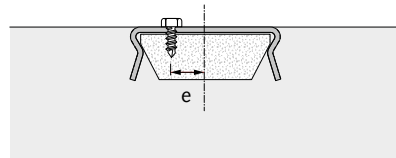
Constructive boundary conditions



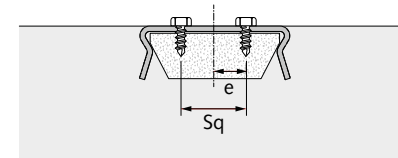
HTU-S 60 ($e_{\max} \leq b_{HTU}/6$)



HTU-S 100 (E) ($e_{\max} \leq b_{HTU}/6$)



HTU-S 100 (D) ($50 \text{ mm} \leq s \leq 70 \text{ mm}$)



Minimum element dimensions, bolt spacings and load resistances for concrete strength class C30/37 to C50/60 ^{①②③}

Channel	L_{\min}	(E) Single (D) Double fixing	b_{\min}	h_{\min} ^④	$C_{1,\min}$ ^④	$C_{2,\min}$	s_{\min}	F_{Rd} ^{①②③}		
	[mm]								[mm]	[mm]
HTU 60/25/2,5-S	150	E	$2 \times c_1$	200	90	75	150	3,6		
	250	E						125	250	4,9
	310	E						155	310	5,7
HTU 100/25/3-S	150	E	$2 \times c_1$	200	120	75	150	2,4		
		D						4,2		
	250	E						125	250	3,5
		D						6,0		
	310	E						155	310	4,2
		D						7,1		

① Resistance F_{Rd} applies for all load directions. The permanent load of $F_{Ed,z}$ must be limited to $0.15 \cdot F_{Rd}$.

② For concrete strength class C25/30 the resistances must be reduced with factor 0.91.

③ For concrete strength class > C30/37 the resistance F_{Rd} may be increased by Ψ_c acc. to (annex 5, table 1 and annex 6, table 2)

④ For HTU 60/25/2,5-S lower values are allowed. See approval annex 5, table 1.

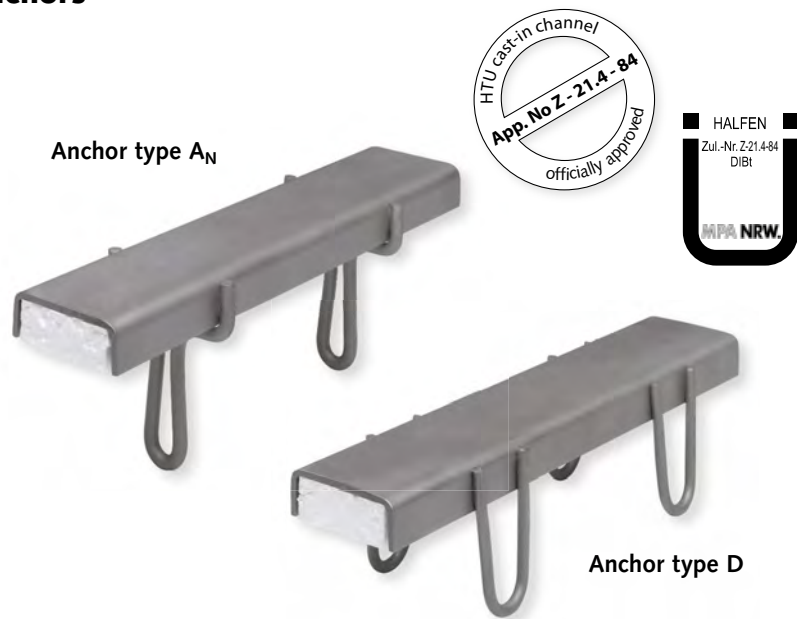
HALFEN HTU CAST-IN CHANNELS

C-shaped channels with welded anchors

The HALFEN Trapezoidal sheet metal installation channels were developed in cooperation with the Association for the light-weight steel construction industry (IFBS Industrieverband für Bausysteme im Stahlleichtbau).

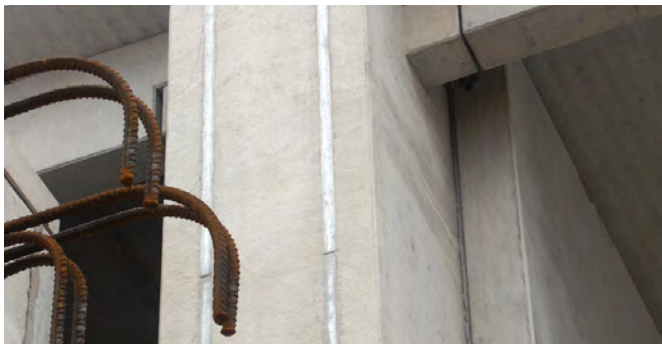
Made as a C-shaped channel in hot-dip galvanized steel with at least two welded anchors, and approved by the German Institute of Building Technology (DIBt Deutsches Institut für Bautechnik).

Approval: DIBt no. Z-21.4-84



HALFEN HTU Cast-in channels, steel hot-dip galvanized

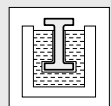
		Steel		
		Material	Standard	Zinc coating
	Channel profiles	1.0038	EN 10 025-2	FV: $\geq 50 \mu\text{m}$
	Anchor A_N , D			
	Fixing	Fixing of trapezoidal sheet metal or wall-cladding elements using building authority or ETA approved self-drilling screws or metal deck fasteners. Installed flush with the surface of precast concrete elements.		



Vertical HALFEN HTU Cast-in channels for fixing façade panels

Hot-dip galvanized FV:

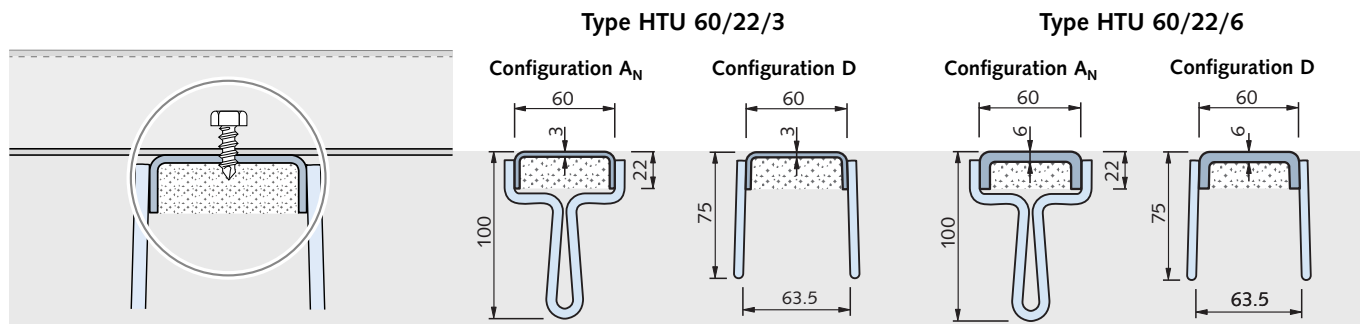
Dipped in a galvanising bath at a temperature of approximately 460°C. This method is used primarily for open-profile channels.



HALFEN HTU CAST-IN CHANNELS

C-shaped channels with welded anchors

Product range



Profile cross-section A	2.81 cm ²		4.94 cm ²	
Moment of inertia I_y / Moment of resistance w_y	1.13 cm ⁴ / 0.71 cm ³		1.84 cm ⁴ / 1.27 cm ³	
Profile weight including anchors	2.49 kg/m	2.50 kg/m	4.25 kg/m	4.26 kg/m

Ordering example:

HTU 60/22/3 - D2 - FV - 3000 - Sf

type / profile —
 anchor configuration —
 material / finish —
 length [mm] —
 polystyrene strip filler —

■ FV = Steel S235JR, hot-dip galvanized

HTU 60/22/3	Number of anchors
■ = hot-dip galvanized	
HTU 60/22/3 - AN2 - FV - 3000 - Sf	8
HTU 60/22/3 - D2 - FV - 3000 - Sf	8
HTU 60/22/3 - AN3 - FV - 3000 - Sf	20
HTU 60/22/3 - D3 - FV - 3000 - Sf	20

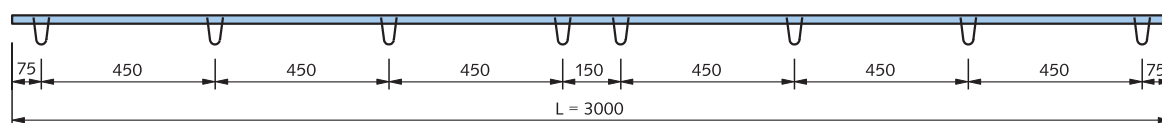
Connecting element example HTU 3 mm material steel ETA 10/0200:
 Self-drilling screws 6.3x19
 e.g. JT2-6-6,3-19-xE16 with sealing disc.
 Connecting element is exposed to weather:
 JT3-6-6.3x25-E16 (Wall) or JZ3-6-6.3x25-E22 (Roof)

HTU 60/22/6	Number of anchors
■ = hot-dip galvanized	
HTU 60/22/6 - AN2 - FV - 3000 - Sf	8
HTU 60/22/6 - D2 - FV - 3000 - Sf	8
HTU 60/22/6 - AN3 - FV - 3000 - Sf	20
HTU 60/22/6 - D3 - FV - 3000 - Sf	20

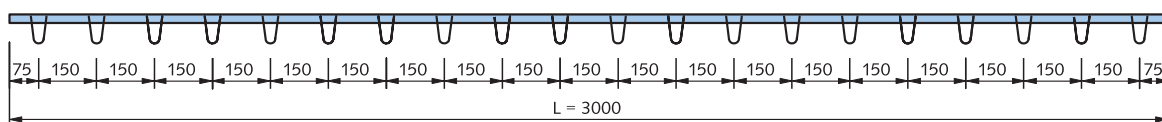
Connecting element example HTU 6 mm material steel ETA 10/0200:
 Self-drilling screws 6.3x22
 e.g. JT2-6-6,3-x22-V16 with sealing disc or cartridge fired nails.
 Connecting element is exposed to weather: see screw, or nail approval.

Anchor spacing:

Type D2 or AN2



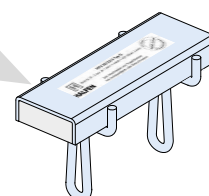
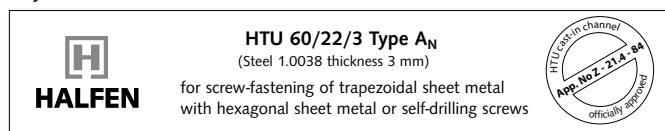
Type D3 or AN3



Identification HTU

Dimensions in [mm]

A yellow identification label is fixed to the back of each channel.



HALFEN HTU CAST-IN CHANNELS

C-shaped channels with welded anchors

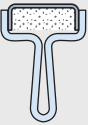
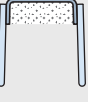
Table 1 Maximum design load-carrying capacity F_{Ed}

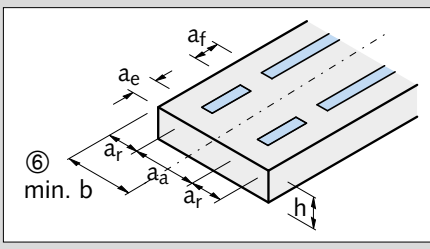
Profile HTU	Anchor spacing s [mm]	max. F_{Ed} [kN]		max. F_{Ed} [kN]		max. evenly distributed load q_{Ed} [kN/m]		
60 / 22 / 3	450	p = s	4.6	p = s/2	3.5	15.5		
	150					46.6		
60 / 22 / 6	450					7.0	3.5	15.5
	150					7.0	3.5	46.6

$\sqrt{N_{Ed}^2 + V_{xEd}^2 + V_{yEd}^2} \leq \text{max. } F_{Ed}$

Concrete \geq C20/25

Table 2 Minimum distance when exploiting maximum load as in table 1

Profile	Minimum interaxial spacing and edge distance					
	a_a ① [mm]	a_r ② [mm]	a_e ③ [mm]	a_f ④ [mm]	h ⑤ [mm]	b ⑥ [mm]
HTU { 60/22/3 60/22/6						
 Type AN	200	100	20	20	100 + nom c	200
 Type D	200	100	20	20	75 + nom c	200



① If the (trapezoidal sheet metal) channels are placed so that the anchors of adjacent channels are offset by at least 200 mm, the axial spacing a_a may be reduced to 80 mm.

② If not exploiting the maximum load capacity F_{Ed} , see table above, the edge distance a_r may be reduced. This applies only for central tensile stress N_{Ed} .

$$a_{r \text{ red.}} = \frac{\text{actual } N_{Ed}}{\text{max. } F_{Ed}} \times a_r \geq 50 \text{ mm}$$

actual N_{Ed} = design rating of actual load

max. F_{Ed} = maximum load as in the table above

The edge distances must not be reduced if transverse stress (V_{xEd} , V_{yEd}) is present.

③ With full exploitation of maximum load F_{Ed} as in the table above, the last anchor must be at least 100 mm from the component edge.

④ When fully exploiting maximum load capacity F_{Ed} , see table above, the "last anchors" of adjacent channels must be at least 150 mm apart.

⑤ Depends on the anchor's size and the required concrete cover.

⑥ Minimum width of building component for a one channel layout.

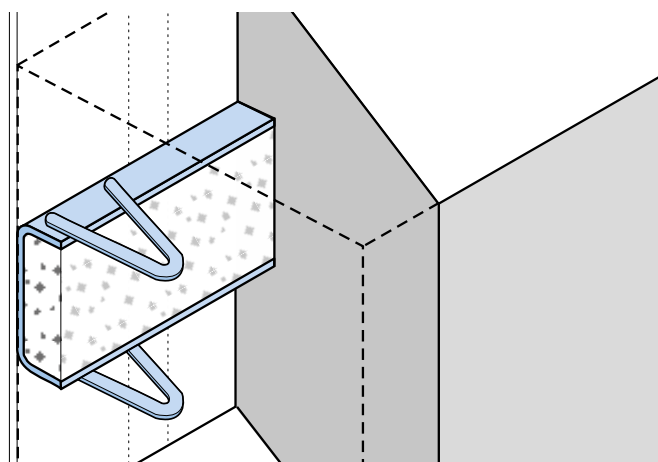
HALFEN HTU CAST-IN CHANNELS

C-shaped channels with welded anchors

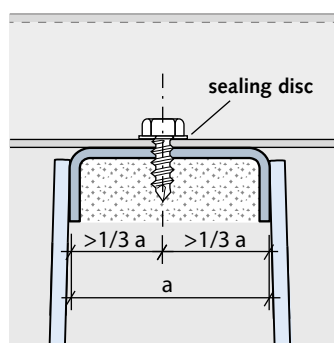
Installation

The ready-to-install HTU Channel is embedded flush with the final concrete surface. It is advisable to level the concrete surface and to apply a slight slope to the outer edge of the concrete. This is to ensure that the trapezoidal sheet metal rests only on the HTU Channel. According to German approval a heightened installation of up to 5 mm is also possible.

Trapezoidal sheet metal fixing in wall applications



Screw placement

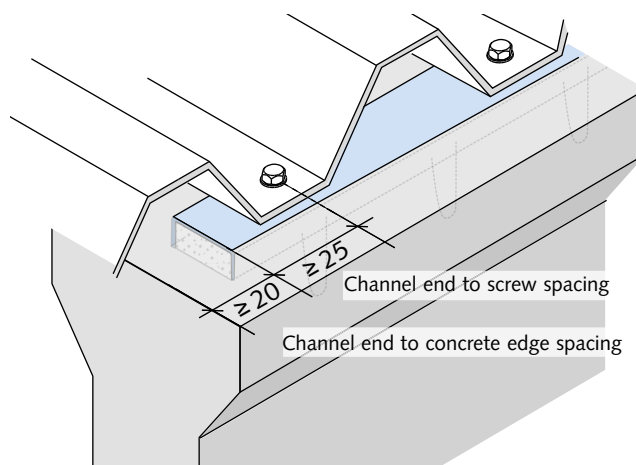


Assembly (with self-drilling screw)

- use a power-driver to fix the self-drilling screw; a pilot hole is not required. Even 4-fold overlapping at joints is not a problem with self-drilling screws
- the recommended engine speed and socket size must be observed; See product data sheet of the self-drilling screws

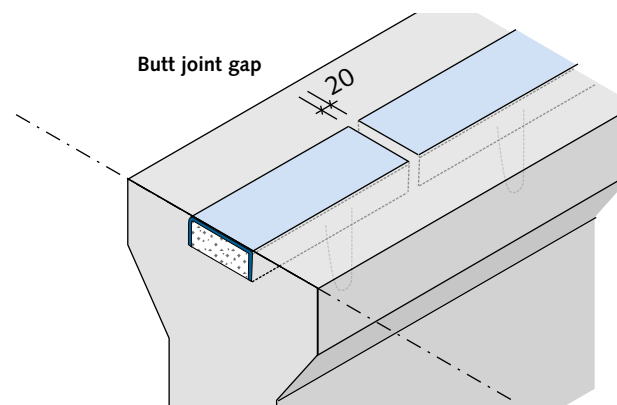
Alternatively, if the trapezoidal sheet metal manufacturer requires a minimal support width larger than 60 mm, this can be achieved through a flush channel installation and a flat concrete surface. Ensure that pre-stressed concrete trusses are properly aligned, centred and absolutely plane. Maintaining a 20 mm gap between individual channel ends is recommended.

Trapezoidal sheet metal fixing in roof applications



Dimensions in mm

Recommended butt joint gap between two channels



- suitable tools for various screws can be obtained from the screw supplier
- the trapezoidal sheet metal must be attached in the central third of the channel back; Screws must be positioned at a minimum distance of 25 mm from the channel ends

FRAMING CHANNELS

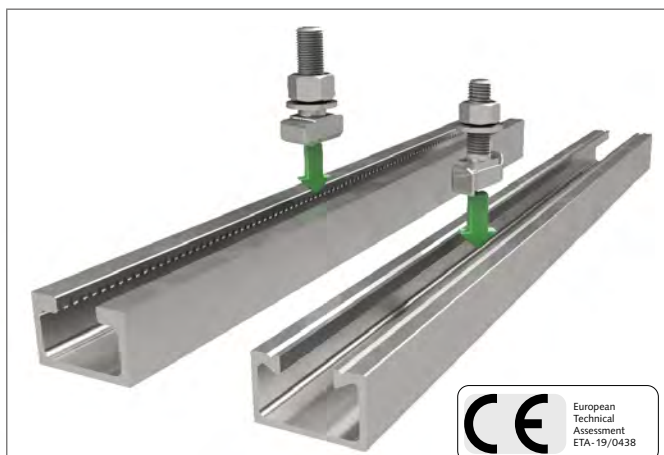
The benefits at a glance

To complement the product range we have a wide range of framing channels with accessories. We can supply everything you need for your project; everything from one source.



HALFEN HM/HZM Framing channel, cold-rolled

HALFEN Framing channels, used in combination with matching HALFEN Bolts (or threaded plates) have all the benefits needed for versatile bolt and frame constructions.



HALFEN HM/HZM Framing channel, hot-rolled

The HALFEN Framing channels range includes hot and cold-rolled channel profiles with standard or serrated channel lips.

Quick and economical

- › full flexibility in positioning and dimensioning of the bolt connection
- › quick installation and adjustability of plant equipment or building components
- › dirt and noise free on-site modifications
- › innovative modular assembly system; numerous complementary accessories available
- › no more welding in hazardous environments
- › bolted connections do not damage the corrosion protection of plant components



HALFEN HL/HZL Slotted channels

HALFEN Framing channels are available, mill-finished, hot-dip galvanized or in stainless steel materials; slotted or non-slotted.



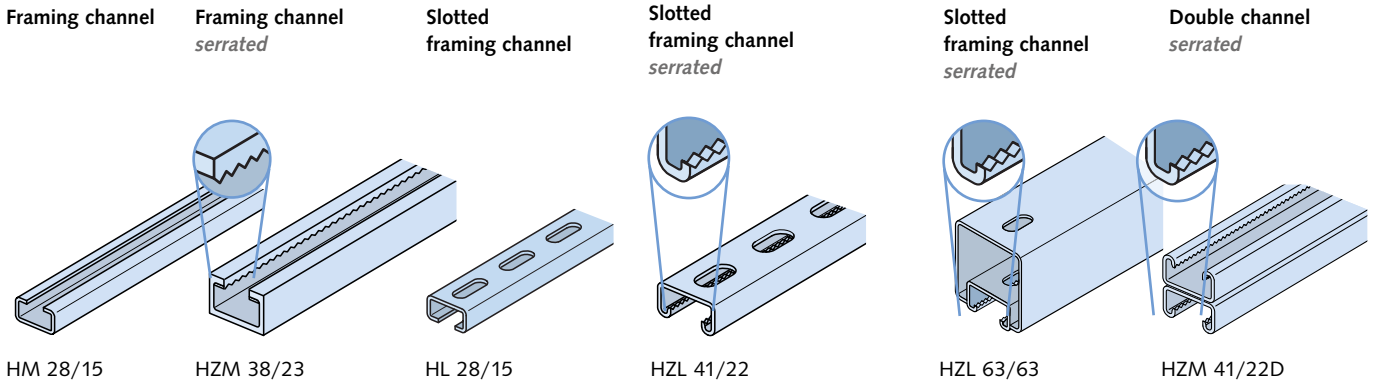
The complete, available product range for industrial application can be found at www.halfen.com in the technical product information catalogues; MT-FBC (Flexible Bolt connections) or MT-FFC (Flexible framing connections).



FRAMING CHANNELS

Framing Channels HM/HZM/HL/HZL – Application Examples

Type Overview



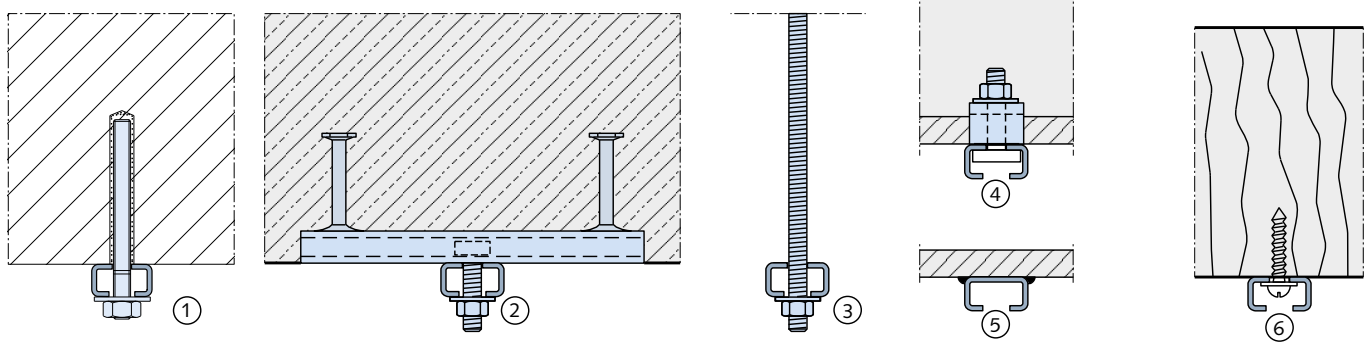
Application Examples

HALFEN Framing channels HM/HZM and slotted HALFEN Framing channels HL/HZL can be attached to a supporting structure using various methods:

- ① fastened to concrete or masonry with HB-VMU plus wedge anchors
- ② bolted to HALFEN HTA-CE and HZA Cast-in channels
- ③ connected to threaded rods
- ④ clamped to steel profile supports
- ⑤ welded to steel components
- ⑥ screwed or nailed to wood structures

HALFEN Framing channels are a part of the HALFEN Framing system:

- installations for plant engineering
- technical equipment in buildings
- heavy and light installations



Typical application of the HALFEN Powerclick system

The HALFEN Framing system product range can be found in the following catalogues:
HALFEN Flexible bolt connections,
HALFEN Flexible framing connections
HALFEN Powerclick System.



FRAMING CHANNELS

Framing Channels HM/HZM/HL/HZL – Type Overview

Heavy Duty Framing System														
Hot-rolled				Cold-rolled			Hot-rolled	Cold-rolled		Hot-rolled, serrated				
HM 72/48	HM 55/42	HM 52/34	HM 50/30	HM 49/30	HM/HL 50/40	HM 486	HM 40/22	HM 40/25	HM 422	HZM 64/44	HZM 53/34	HZM 41/27	HZM 38/23	HZM 29/20
72 33	54.5 26	52.5 22.5	49 22.5	50 22	49 22	48 22	39.5 18	40 18	39.5 18	64 26	52.5 22.5	40 18.5	38 18	29 14
HS / HSR 72/48, GWP 72/48	HS 50/30	HS / HSR 50/30, GWP 50/30	HS 50/30, GWP 50/30 or GWP 50/40			HS / HSR 40/22, GWP 40/22			HZS 64/44, HZS 53/34, HZS 38/23, HZS 38/23, HS 38/17, HZS 29/20, HS 28/15					

Medium Duty Framing System						
Cold-rolled				Cold-rolled, serrated		
HM / HL 41/83	HM / HL 41/62	HM / HL 41/41	HM / HL 41/22	HZL 63/63	HZM / HZL 41/41	HZM / HZL 41/22
41 22	41 22	41 22	41 22	63 22	41 22	41 22
HZS/HS 41/41, HZS 41/22 GWP 41/41, GWP 41/22						

Light Duty Framing System					
Cold-rolled				Cold-rolled	
HM 36/36, HL 36/36	HM 38/17	HM 28/28, HL 28/28	HM 28/15, HL 28/15	HM 315	HM 20/12, HL 20/12
36 18	38 18	28 12	28 12	30 16	20 10
HS 38/17, GWP 38/17	HS 28/15, GWP 28/15		GWP 28/15		HS 20/12, GWP 20/12

Materials/Finish:

- FV Steel hot-dip galvanized or WB steel mill finished
- SV Steel, sendzimir galvanized
- A4 Stainless steel 1.4571/1.4404
- A2 Stainless steel 1.4307 (on request)
- HCR Stainless steel 1.4547/1.4529 (on request)

For information on materials → see page 9-10

HZM/HZL serrated profiles

ROOF AND WALLS

The right solution for each application

The efficient and established installation systems for timber roof structures, masonry restraints and connectors for concrete façades are proven practical solutions for the construction industry, greatly improving construction time with significant cost-saving.



HALFEN HSF Rafter shoe

Suitable for horizontal forces acting on rafter and collar beam roofs.



HALFEN HNA Timber fixing strap

Suitable for all acting loads e.g. wind loads in roof structures.



HALFEN HKZ or SPV Restraint ties

For connection of tension and compression loads from concrete walls elements.



HALFEN ML and BL Brick tie anchor system

For connection of brickwork to concrete walls and columns or steel elements.



HALFEN HVL-M Precast connection with HALFEN HVL-E Cast-in channel

Suitable for horizontal loads in concrete wall elements (loads perpendicular to the bracket).



HALFEN HKW Corner guard

Wall and column corner protector; application in industry and multi-storey car parks.

ROOF AND WALLS

Application Examples



HALFEN HSF Rafter shoe 6/12



HALFEN HKZ Restraint tie with serrated washer



Airbus paintshop with HALFEN HVL Restraint tie



HVL-System in precast building components



Connecting construction timbers to concrete using HALFEN HNA



Timber roof construction with HALFEN HNA Fixing straps



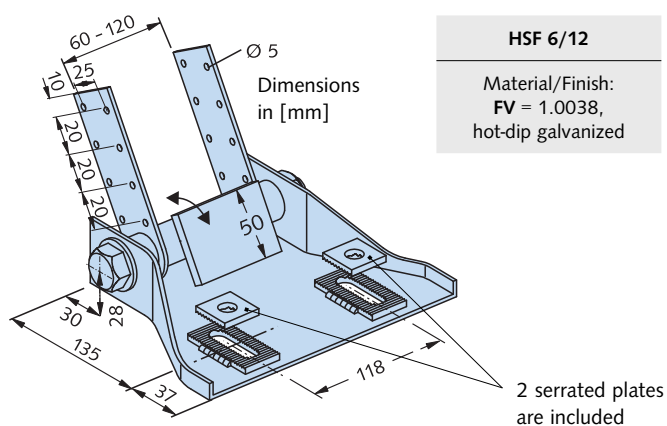
Corner guards in an industrial environment



HALFEN ML Brick-tie anchor system

ROOF AND WALLS

HALFEN HSF Rafter Shoe

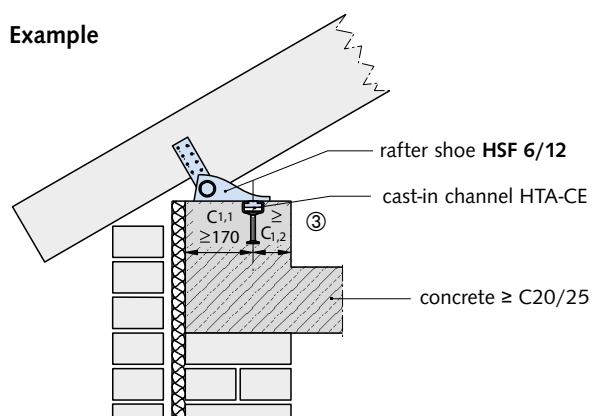


In modern wood constructions, HSF 6/12 rafter shoes are used to support the horizontal forces in rafter and collar tie roofs.

The advantages at a glance:

- minimal planning; simply specify the profile and position of the HALFEN Cast-in channels in the concrete element
- clearly defined statics with flexible rafter shoes
- complex and therefore costly support structures are not necessary
- simple and straightforward roof construction:
 - a) adjustable support plate
 - b) adjustable nailing brackets for vertical anchorage for various rafter widths from 60 to 120 mm
 - c) adjustable in longitudinal rafter axis ± 15 mm
- freely adjustable rafter spacings in the longitudinal axis of the HALFEN Channel without additional measures
- hot-dip galvanized for excellent corrosion protection

Example



Definition $c_{1,1}$ and $c_{1,2}$ see page 25

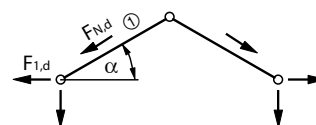
Design values F_{Rd}			
Load F_{Rd}	Required HALFEN Cast-in channel	Min. edge distance ②	Required HALFEN Bolt
[kN/Rafter]	Type	$C_{1,2}$ [mm]	Type dimensions
12.6	HTA-CE 38/17	75	HS 38/17 - M16 × 40
16.8	HTA-CE 40/22 P HTA-CE 40/25	100	HS 40/22 - M16 × 50
19.6	HTA-CE 50/30 P HTA-CE 49/30	150	HS 50/30 - M16 × 50

The horizontal forces are transferred into the main concrete structure using (ETA) European Technical approved HALFEN HTA-CE Cast-in channels.

During assembly ensure that the serration in the counter plates engages in the base plate. The marking on the counter plates must be at right angles to the slot in the base plate.

Rafter roof static system:

$$F_{1,d} < F_{Rd}$$



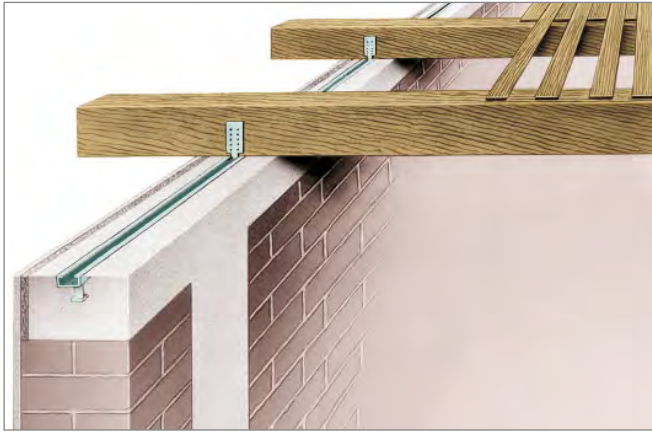
① The maximum rafter strength is limited by the design load of each individual component in the rafter shoe. Load tests resulted in a mean breaking load of 50 kN. With normal loads larger than the recommended load capacity (= about 1/3 of the breaking load), the rafter spacing will need to be reduced.

② If lower loads are present, then the minimum edge distance $C_{1,2}$ for the HALFEN Cast-in channels can be reduced. The distance to the concrete edge must be at least 170 mm.

③ Make sure that the HALFEN Cast-in channels are installed flush with the concrete surface. Use spacers if necessary.

ROOF AND WALLS

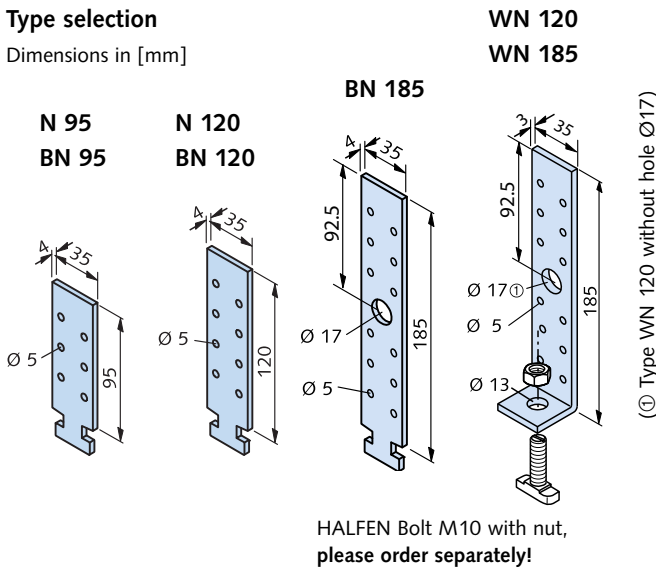
HALFEN HNA Timber Fixing Strap



Typical installation of timber beams using HNA nailing straps with HALFEN Cast-in channels embedded in concrete.

Type selection

Dimensions in [mm]



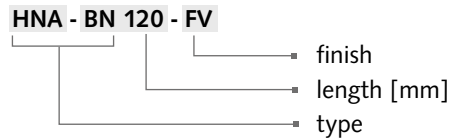
To provide an optimal base for roof framework, continuous HALFEN HTA-CE Cast-in channels or HALFEN HTA-CE Cast-in channel short elements are cast in the concrete; suitable for concrete ring beams or slabs. The type of HALFEN HTA-CE Cast-in channels, nailing straps and nails depend on the assumed loads (ex. wind force).

For calculation and design criteria see:

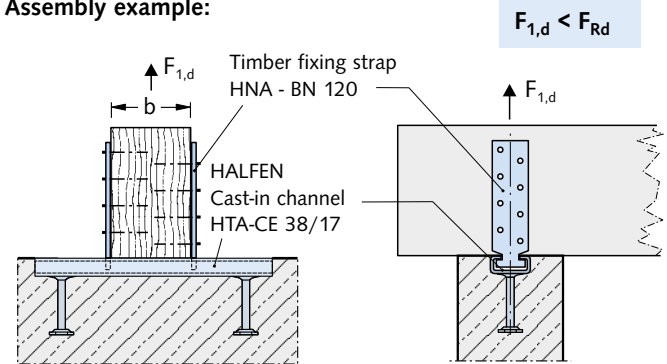
- EN 1991-1-4 (EC1) and EN 1991-1-4/NA
- EN 1995-1-1 (EC5)

The timber fixing straps can be positioned on one or both sides of the timber beams or rafters. Refer to the following table for F_{Rd} load capacities. The beams/framework must be secured against twisting when straps are used only on one side of the beams, (example by nailing to the upper wood roof boarding).

Ordering example:



Assembly example:



Type selection, timber fixing straps						
Suitable for HALFEN Cast-in channel:	Material/Finish FV = 1.0038, hot-dip galvanized	Design value for load capacity F_{Rd} [kN] for each beam attachment			Attaching timber fixing straps to wooden beams/rafters	
		Position of timber fixing straps			Wire nails	Anchor nails
		Single-sided	Double-sided			
Item name: Length [mm]			for $b \geq 60$ mm	$b \geq 100$ mm		
HTA-CE 28/15 hot-dip galvanized (FV)	HNA - N 95 - FV	4.2	4.9	5.6	according to EN 10230-1	according to the manufacturer's technical approval
	HNA - N 120 - FV					
	HNA - WN 120 - FV	1.4	2.8	2.8		
	HNA - WN 185 - FV					
HTA-CE 38/17 hot-dip galvanized (FV)	HNA - BN 95 - FV	6.3	7.5	8.4		
	HNA - BN 120 - FV					
	HNA - BN 185 - FV	1.4	2.8	2.8		
	HNA - WN 120 - FV					
HNA - WN 185 - FV						

ROOF AND WALLS

Brick Tie Anchor Systems ML + BL

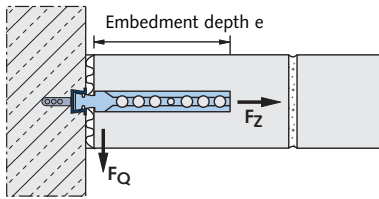
HALFEN Brick tie systems are economic and proved fixing systems using HALFEN ML Brick ties for fixing brickwork, in-fill panels, partition walls, cladding panels (with or without air gap or thermal insulation) to steel or

timber structures or concrete walls and columns. **The brick ties are able to move vertically in the wall connector channels; this greatly reduces movement cracks in the brickwork.**

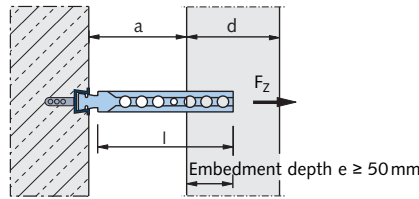
All HTA-CE and HMS profiles have a foam filling to prevent concrete ingress. The channels are attached to the formwork using standard nails.

The HALFEN Brick tie anchors are inserted at the recommended intervals (static requirements) in the brick wall during construction. The anchors are inserted in the brick tie channels, turned 90°, laid flat between the rows of brick and pressed into the mortar. The perforations in the anchors optimise anchorage with the mortar.

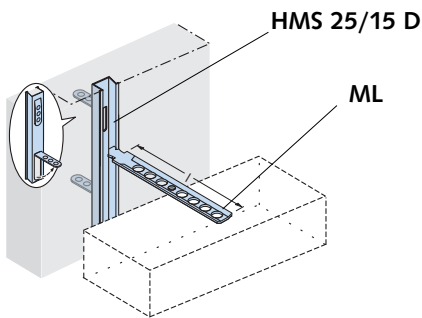
Wall connection



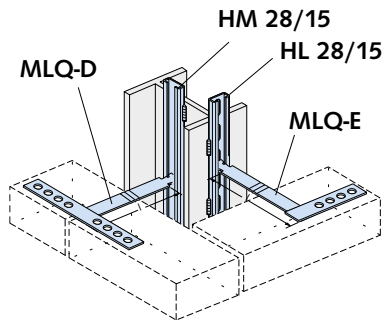
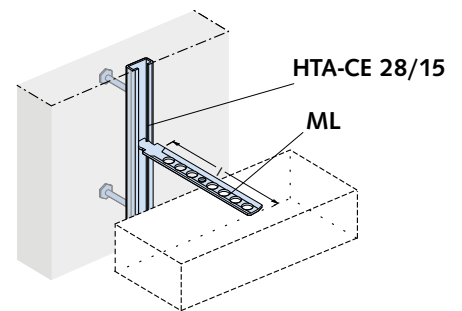
Facing brickwork connection



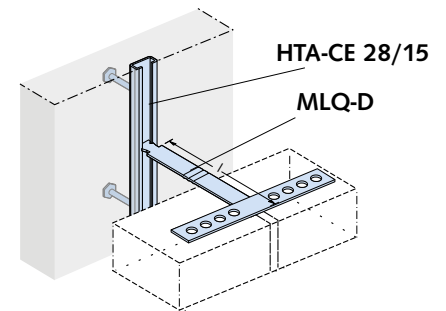
ML Brick ties in combination with HALFEN Channels HMS, HTA, HM and HL



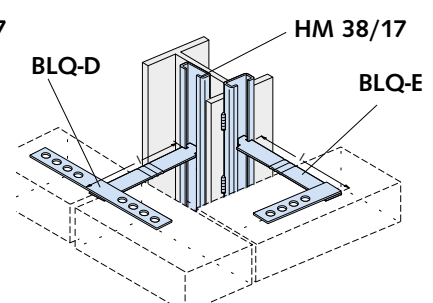
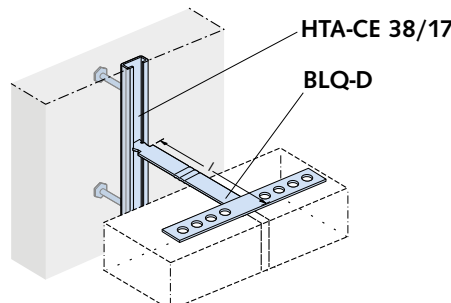
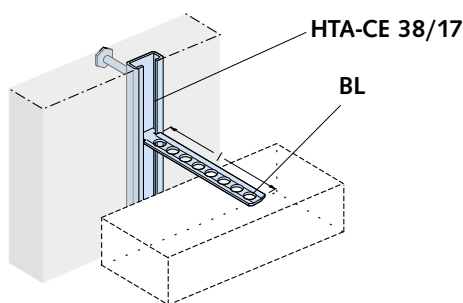
The pre-punched anchors in the HMS Channels are bent out by hand every 250 mm on-site to ensure safe anchorage in the concrete.



HM 28/15 welded to steel column. HL 28/15 can be alternatively bolted with dowels to concrete.

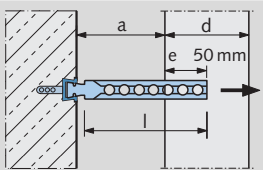


BL Brick tie in combination with HALFEN Channel type HTA 38/17 and HM 38/17



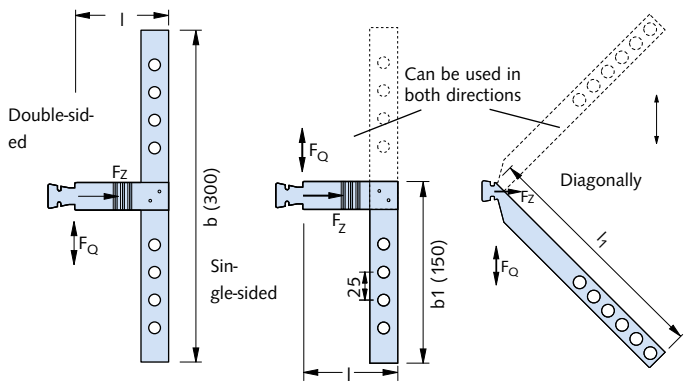
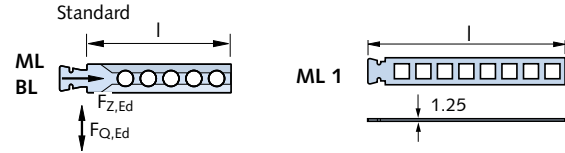
ROOF AND WALLS

Brick Tie Anchor Systems ML + BL

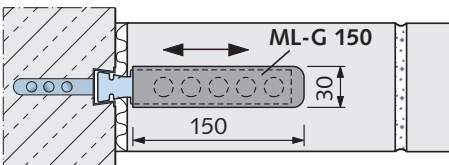
Allowable wall spacing a			
Connection two-leaf masonry	Length l (l ₁) [mm]	Spacing a [mm]	d [mm]
	85	20 - 45	115
	120	40 - 80	
	180	85 - 140	
	(300)	0 - 80	240
	(350)	20 - 95	
(400)	35 - 115		

HALFEN Brickwork anchors are verified in accordance with EN845-1 for various anchor channels with a minimum embedment depth of 50mm:

Characteristic load-bearing capacity (validated performance)				
		BL	ML	ML1
F _Z [kN] Axial load	HTA-CE	3.2	2.7	2.5
	HMS	-	1.6	1.6
F _Q [kN] Shear load	HTA/HMS	2.7	1.5	1.4
F _D [kN] Compression load	HTA/HMS	1.0 (BL180)	1.0 (ML180)	0.375 (ML1-245)



Sliding sleeve ML-G 150 for ML-Anchor, for wall connections



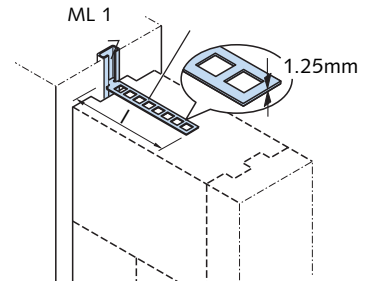
Allows movement in the anchor longitudinal direction; this helps to avoid cracking in long sections of brick wall or infill brickwork connected to concrete structures.

Material: Soft-PVC Order no. 0134.010-00001

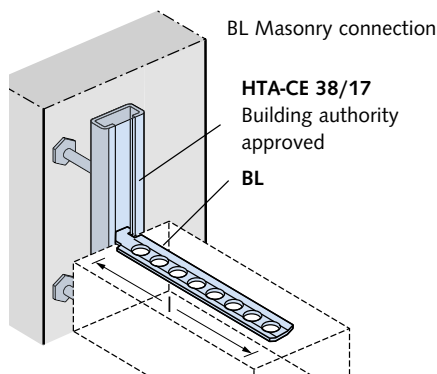
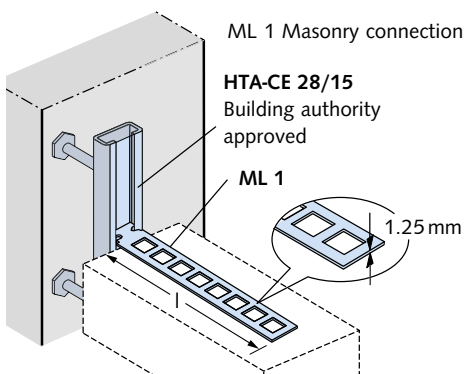
Brick ties ML 1 for connections in interior applications

Material: Stainless steel W1.4301 A2

Type	Length l [mm]	Order no. 0013.010-
ML1 -	125	00001
	185	00002
	245	00003



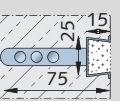


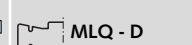


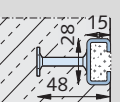
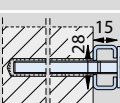
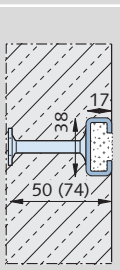

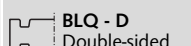
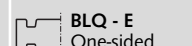
Channels load-bearing capacity with wall tie spacing of ≥ 25 cm			
Brick tie channel	HMS 25/15 D	HTA-CE 28/15	HTA-CE 38/17
Centric tension F _Z [kN] (F _{Z,Rd})	1.2 (1.6)	3.0 (4.0)	4.5 (6.1)
Transverse stress F _Q [kN] (F _{Q,Rd})	1.5 (2.0)	3.0 (4.0)	4.5 (6.1)



ML/BL Masonry connection

ROOF AND WALLS

Brick Tie Anchor Systems ML + BL

Brick-tie channel		Brick-tie anchor						
 HMS 25/15 D L = 2500 mm	 ML Standard 26 × 2 [mm]	 ML1 25 × 1.25 [mm]	 MLQ - D Double-sided 25 × 3 [mm]	 MLQ - E One-sided 25 × 3 [mm]	 MLS Diagonal 22 × 3 [mm]	Type Length l [mm]		
							ML - 85	ML 1 - 125
 HTA-CE 28/15 L = 1050 mm ^① L = 6070 mm ^①	Type Length l [mm]	Type Length l [mm]	Type Length l [mm]	Type Length l [mm]	Type Length l ₁ [mm]	Type Length l [mm]		
							ML - 120	ML 1 - 185
 HL 28/15 L = 6070 mm ^①	Type Length l [mm]	Type Length l [mm]	Type Length l [mm]	Type Length l [mm]	Type Length l ₁ [mm]	Type Length l [mm]		
							ML - 180	ML 1 - 245
 HTA-CE 38/17 L = 1050 mm ^① L = 6070 mm ^①	 BL Standard 30 × 2 [mm]	 BLQ - D Double-sided 30 × 3 [mm]	 BLQ - E One-sided 30 × 3 [mm]	Material:			Type Length l [mm]	
				BL - 85	BLQ-D - 85	BLQ-E - 85		<input type="checkbox"/> FV = Steel S235JR, hot-dip galvanised <input type="checkbox"/> SV = Steel DX51D + Z275, Sendzimir galvanised <input type="checkbox"/> A4 = Stainless steel 1.4571/1.4404 <input type="checkbox"/> A2 = Stainless steel 1.4301
				BL - 120	BLQ-D - 120	BLQ-E - 120		
				BL - 180	BLQ-D - 180	BLQ-E - 180		

① Other lengths: Available on request

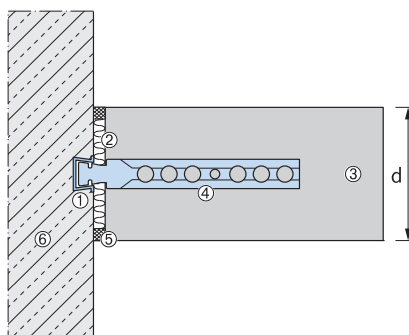
Firewall connection according to DIN 4102-4 : 2016-05

Solid masonry fire walls

Statically required connections of load bearing, room-enclosing, masonry walls can also be designed as fire walls in accordance DIN 4102-4 section 9.8.4 using HALFEN Brick tie channels. The anchorage to adjacent components (steel reinforced concrete supports or walls) meet the requirements for stability and fire resistance if the anchorage conforms to the standards set in DIN 4102-4 section 9.8.4 (figure 9.13, variant 2).

Anchor spacings

HALFEN Brick tie anchors can be used at any position along the whole length of the brick tie channel. Generally the standard spacing between the anchors is 250 mm (4 anchors per metre).



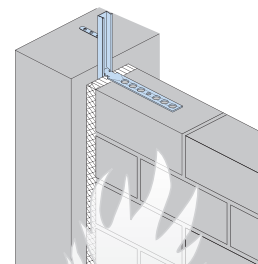
Definition, DIN regulations

- ① **HALFEN Cast-in channel**
- ② **Insulation layer:**
According to DIN 4102-4 section 9.2.14 insulation layers in connecting joint gaps must, "[...] be made of non-flammable mineral fibre; have a melting point $\geq 1000^{\circ}\text{C}$ as stated in DIN 4102-17; and have a gross density of $\geq 30 \text{ kg/m}^3$ and must not smoulder.
- ③ **Masonry:**
Bricks (gross density class) and minimum wall thickness according to DIN EN 1996-1-2: 2011-04.
- ④ **Masonry connection** (vertically adjustable)
- ⑤ **Expansion joint**
- ⑥ **Concrete**

Product information

HALFEN Cast-in channel Type ①	④ Brick tie anchor	
	for standard grout	for thin mortar
HMS 25/15 D	ML	ML 1
HTA 28/15	ML	ML 1
HTA 38/17	BL	-

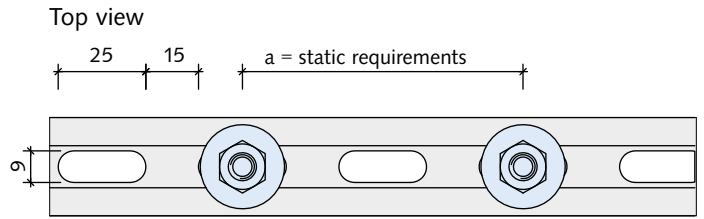
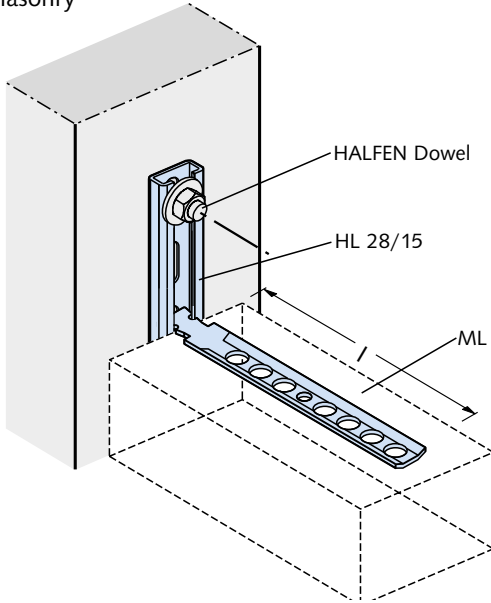
Connection of a load bearing masonry wall as a firewall according to DIN 4102-4 section 9.8.4 (figure 9.13) or according to DIN EN 1996-1-2: 2011-04 (figure E.4B)



ROOF AND WALLS

HALFEN Anchor Bolt Systems

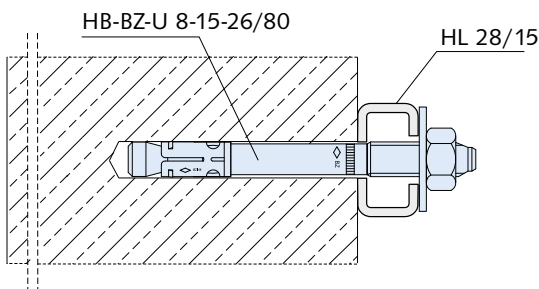
HL slotted framing channels anchored to concrete or masonry



ETA 17/0196 (brickwork) and ETA 16/0691 (concrete)/ Injection system HB-VMU plus

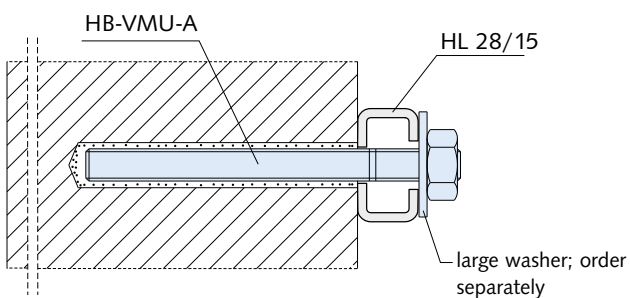


For more information on application and assembly see the Technical Product Information catalogue, **HALFEN HB Anchor bolt systems**



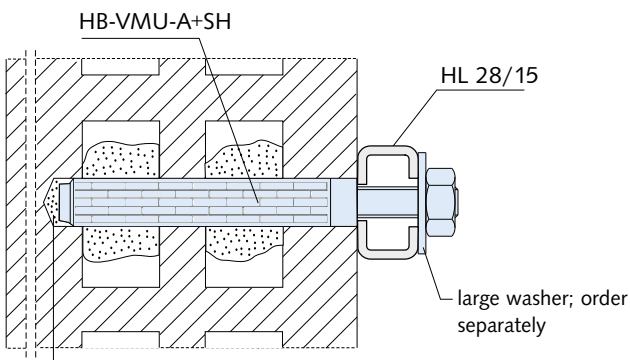
Bolt anchor HB-BZ-U 8-15-26/80

- galvanized or (A4) stainless steel
- approved for cracked and uncracked concrete
- with large washer DIN 9021/EN ISO 7093



Anchor rod HB-VMU-A 8-20/110

- galvanized or (A4) stainless steel
- approved for **monolithic masonry**
- with large washer DIN 9021/EN ISO 7093 (order separately)
- mortar cartridge HB-VMU plus 280 and static mixer (order separately)

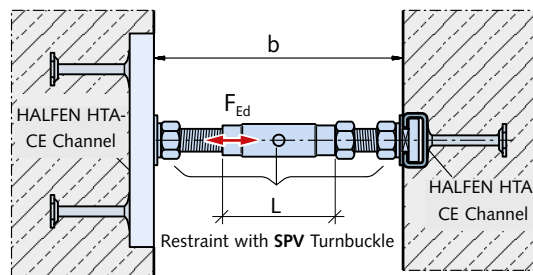
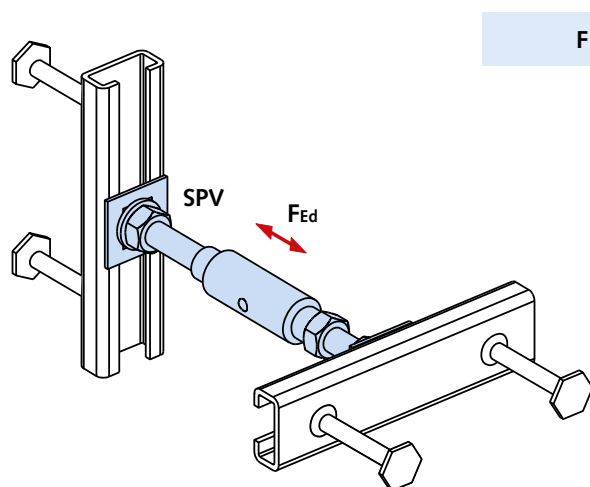


Anchor rod HB-VMU-A 8-20/110 with Perforated sleeve HB-VMU-SH 16×85

- galvanized or (A4) stainless steel
- approved for **perforated brick masonry**
- with large washer DIN 9021/EN ISO 7093 (order separately)
- mortar cartridge HB-VMU plus 280 and static mixer (order separately)

ROOF AND WALLS

Restraint with Turnbuckle SPV



Ensure adequate
screw depth:

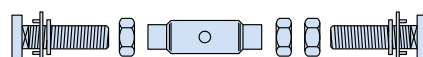
M12 → ≥ 10 mm

M16 → ≥ 13 mm

Product description

The restraint with turnbuckle SPV is suitable for compressive and tensile loads up to $F_{Ed} = 14.0$ kN and for clearances up to 200 mm. By turning the clamping sleeve (sleeve has a right and left-hand thread), the clearance can be freely adjusted within the given range. Connected to the building structure using HALFEN Cast-in channels (order separately).

Included in delivery



- Turnbuckle SPH
- 2 HALFEN Bolts
(1 right-hand thread, 1 left-hand thread)
- 3 standard nuts
- 2 washers and 2 SIC locking washers

Ordering example:

Item name: **SPV - 7,0 - 100 - A4**

type

load group

wall clearance b

material / finish



HALFEN Cast-in channels
must be ordered separately

HALFEN SPV Restraint with turnbuckle										
Load capacity F_{Rd} [kN]		± 7.0			± 9.8			± 14.0		
Type	Stand-off distance	HALFEN Bolt left-hand thread	Sleeve	HALFEN Bolt right-hand thread	HALFEN Bolt left-hand thread	Sleeve	HALFEN Bolt right-hand thread	HALFEN Bolt left-hand thread	Sleeve	HALFEN Bolt right-hand thread
	b [mm] ②	M12 [mm]	L [mm]	M12 [mm]	M16 [mm]	L [mm]	M16 [mm]	M16 [mm]	L [mm]	M16 [mm]
SPV	100±10	50	60	40	50	60	40	-	-	-
	120±15	50	75	40	50	75	40	-	-	-
	140±15	50	75	60	50	75	60	80	60	50
	160±15	50	95	60	50	95	60	80	75	60
	180±15	50	115	60	50	115	60	80	95	60
	200±15	50	135	60	50	135	60	80	115	60
HALFEN Cast-in channel		HTA-CE 38/17 ①			HTA-CE 38/17 ①			HTA-CE 49/30 ①		

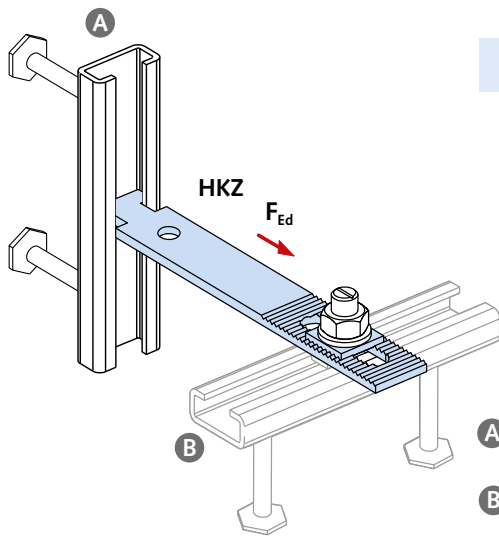
① Short elements 150, 200 and 250 ② With F_{Rd} -load group 9.8 kN restricted to negative tolerance



For further concrete façades accessories
see the **FB Concrete Façade catalogue**

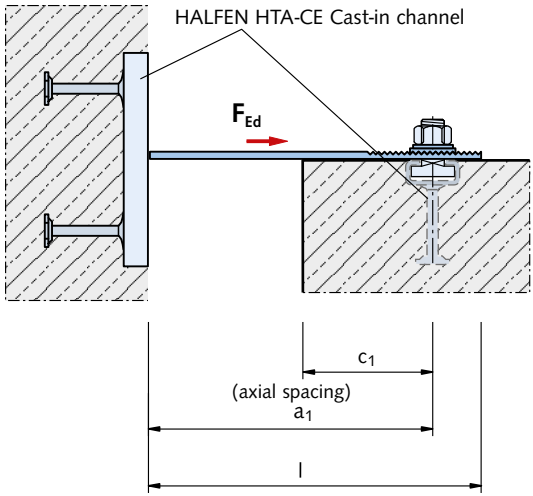
ROOF AND WALLS

Restraint Tie HKZ



$F_{Ed} = \text{load}$

- A** HALFEN Channel suitable for HKZ-Restraint ties
- B** HALFEN Channel or dowel according to approval



Product characteristics

The serrations in the bracket and in the washer ensure positive static load transmission.

Two HALFEN Cast-in channels embedded at right angle in the concrete ensure three-dimensional adjustability.

Ordering example:

Item name: **HKZ-38/17 - 100 - A4**

type —————

clearance a_1 —————

material / finish —————



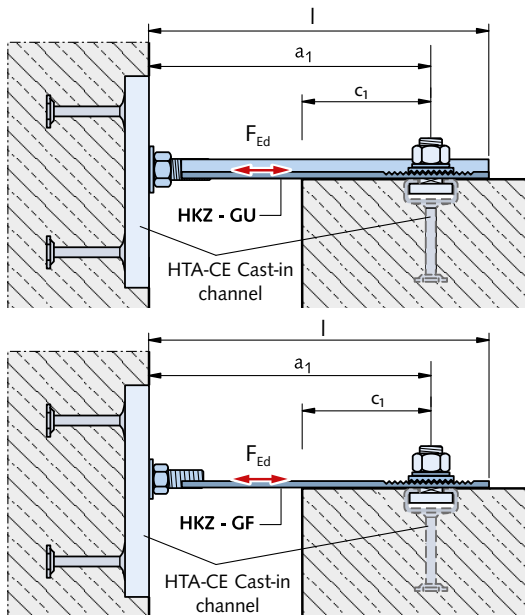
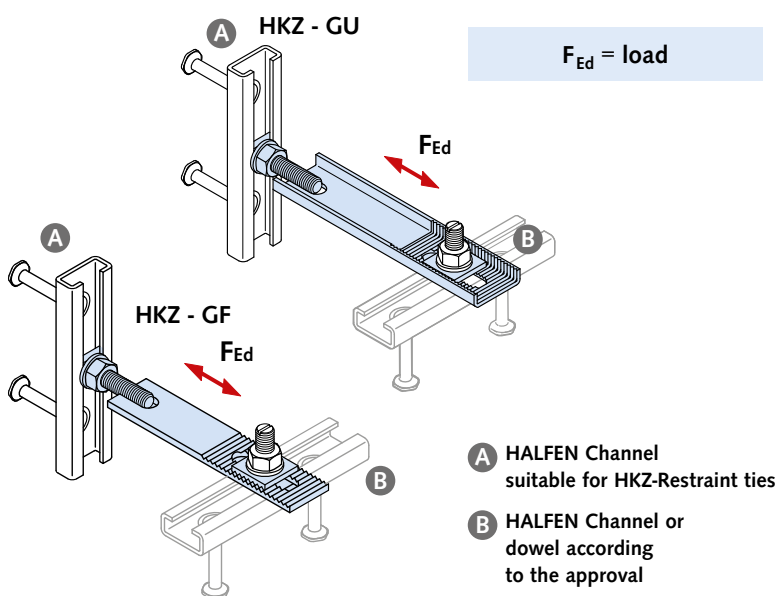
Please order HALFEN Cast-in channels and HALFEN Bolts and washers separately

HALFEN HKZ Restraint tie								
Characteristics:	Type selection:		Type selection:		Dimensions			
	Type	a_1	Type	a_1	Length l	Spacing a_1	Holes	
① Load capacity F_{Rd} [kN]	GV = galvanized. Not suitable for façades with ventilation gaps		A4 = Stainless steel grade 1.4571/1.4404		[mm]	[mm]	[mm]	
+4.9 (tension only)	HKZ 28/15 - 50 - GV		HKZ 28/15 - 50 - A4		90	50	$a_1 \pm 20$	LL 11 × 55
	HKZ 28/15 - 75 - GV		HKZ 28/15 - 75 - A4		115	75		
	HKZ 28/15 - 100 - GV		HKZ 28/15 - 100 - A4		140	100		
	HKZ 28/15 - 125 - GV		HKZ 28/15 - 125 - A4		165	125		
	HKZ 28/15 - 150 - GV		HKZ 28/15 - 150 - A4		190	150		
	HKZ 28/15 - 175 - GV		HKZ 28/15 - 175 - A4		215	175		
	HKZ 28/15 - 200 - GV		HKZ 28/15 - 200 - A4		240	200		
	HKZ 28/15 - 225 - GV		HKZ 28/15 - 225 - A4		265	225		
+9.8 (tension only)	HKZ 28/15 - 250 - GV		HKZ 28/15 - 250 - A4		290	250	$a_1 \pm 20$	RL 11
	HKZ 38/17 - 75 - GV		HKZ 38/17 - 75 - A4		115	75		
	HKZ 38/17 - 100 - GV		HKZ 38/17 - 100 - A4		140	100		
	HKZ 38/17 - 125 - GV		HKZ 38/17 - 125 - A4		165	125		
	HKZ 38/17 - 150 - GV		HKZ 38/17 - 150 - A4		190	150		
	HKZ 38/17 - 175 - GV		HKZ 38/17 - 175 - A4		215	175		
	HKZ 38/17 - 200 - GV		HKZ 38/17 - 200 - A4		240	200		
	HKZ 38/17 - 225 - GV		HKZ 38/17 - 225 - A4		265	225		
	HKZ 38/17 - 250 - GV		HKZ 38/17 - 250 - A4		290	250		
HKZ 38/17 - 275 - GV		HKZ 38/17 - 275 - A4		315	275			
HKZ 38/17 - 300 - GV		HKZ 38/17 - 300 - A4		340	300	LL 13 × 55		

① The load capacities apply for the HKZ-restraint ties. The channel **A** and the fixing dowel/channel **B** must be verified, depending on the edge distance c_1 , the concrete grade and the reinforcement, for each application.

ROOF AND WALLS

Restraint Tie HKZ - GF/GU



Product description

The serrations in the bracket and in the washer ensure positive static load transmission.

! Please order HALFEN Cast-in channels and HALFEN Bolts and washers separately.

The double-sided attachment using a HALFEN Bolt and a threaded plate ensures positive and slippage-free wind anchoring when used in combination with HALFEN HTA-CE Cast-in channels; the connection is three-dimensionally adjustable.

Ordering example:

Item name: **HKZ - GF 38/17 - 125 - GV**

type ————

axial spacing a_1 ————

material/ GV/A4 ————

HALFEN Restraint ties, type HKZ-GF and type HKZ-GU							
Characteristics:	Type selection:	Type selection:	Dimensions:				
① Load capacity F_{Rd} [kN]	GV = galvanized not suitable for façades with ventilation gap Type	A4 = Stainless steel 1.4571/1.4404 Type	Length l [mm]	Spacing a_1 [mm]	Tolerance [mm]	Slot [mm]	
	a_1 [mm]	a_1 [mm]					
±4.9	HKZ - GF 28/15 - 75 - GV	HKZ - GF 28/15 - 75 - A4	115	75	$a_1 \pm 20$	11 × 55	
	HKZ - GF 28/15 - 100 - GV	HKZ - GF 28/15 - 100 - A4	140	100			
	HKZ - GF 28/15 - 125 - GV	HKZ - GF 28/15 - 125 - A4	165	125			
	HKZ - GF 28/15 - 150 - GV	HKZ - GF 28/15 - 150 - A4	190	150			
	HKZ - GF 28/15 - 175 - GV	HKZ - GF 28/15 - 175 - A4	215	175			
±9.8	HKZ - GF 38/17 - 100 - GV	HKZ - GF 38/17 - 100 - A4	140	100	$a_1 \pm 20$	13 × 55	
	HKZ - GF 38/17 - 125 - GV	HKZ - GF 38/17 - 125 - A4	165	125			
	HKZ - GF 38/17 - 150 - GV	HKZ - GF 38/17 - 150 - A4	190	150			
	HKZ - GF 38/17 - 175 - GV	HKZ - GF 38/17 - 175 - A4	215	175			
	HKZ - GU 38/17 - 200 - GV	HKZ - GU 38/17 - 200 - A4	240	200			
	HKZ - GU 38/17 - 225 - GV	HKZ - GU 38/17 - 225 - A4	265	225			
±16.8	HKZ - GU 38/17 - 250 - GV	HKZ - GU 38/17 - 250 - A4	290	250	$a_1 \pm 20$	13 × 55	
	HKZ - GU 50/30 - 200 - GV	HKZ - GU 50/30 - 200 - A4	240	200			
	HKZ - GU 50/30 - 225 - GV	HKZ - GU 50/30 - 225 - A4	265	225			
	HKZ - GU 50/30 - 250 - GV	HKZ - GU 50/30 - 250 - A4	290	250			
	HKZ - GU 50/30 - 275 - GV	HKZ - GU 50/30 - 275 - A4	315	275			
	HKZ - GU 50/30 - 300 - GV	HKZ - GU 50/30 - 300 - A4	340	300		17 × 60	

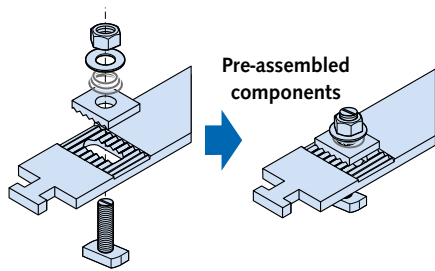
① The load capacities apply for the HKZ-restraint ties. The channel **A** and the fixing dowel/channel **B** must be verified, depending on the edge distance c_1 , the concrete grade and the reinforcement, for each application.

ROOF AND WALLS

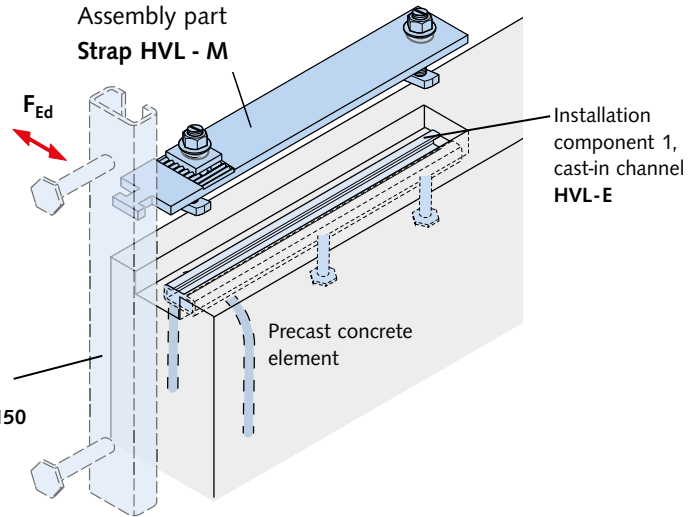
HVL Precast Connection

Assembly:

The connecting strap is delivered ready to be installed: The bolt fastening sets and the counter plate are pre-assembled for fast installation.



Installation component 2, cast-in channel HTA-CE 38/17 - 150



Assembly part HVL-M

Pre-assembled, consisting of:

- serrated hammer-head strap
- 1 serrated counter plate
- 2 bolt sets
(Bolt HS 38/17 - M12 × 50 + washer + tapered compressed spring)

Installation component 1 HVL-E:

HALFEN Cast-in channel HTA 38/17-300-SK with 2 bolt anchors and one loop end anchor.

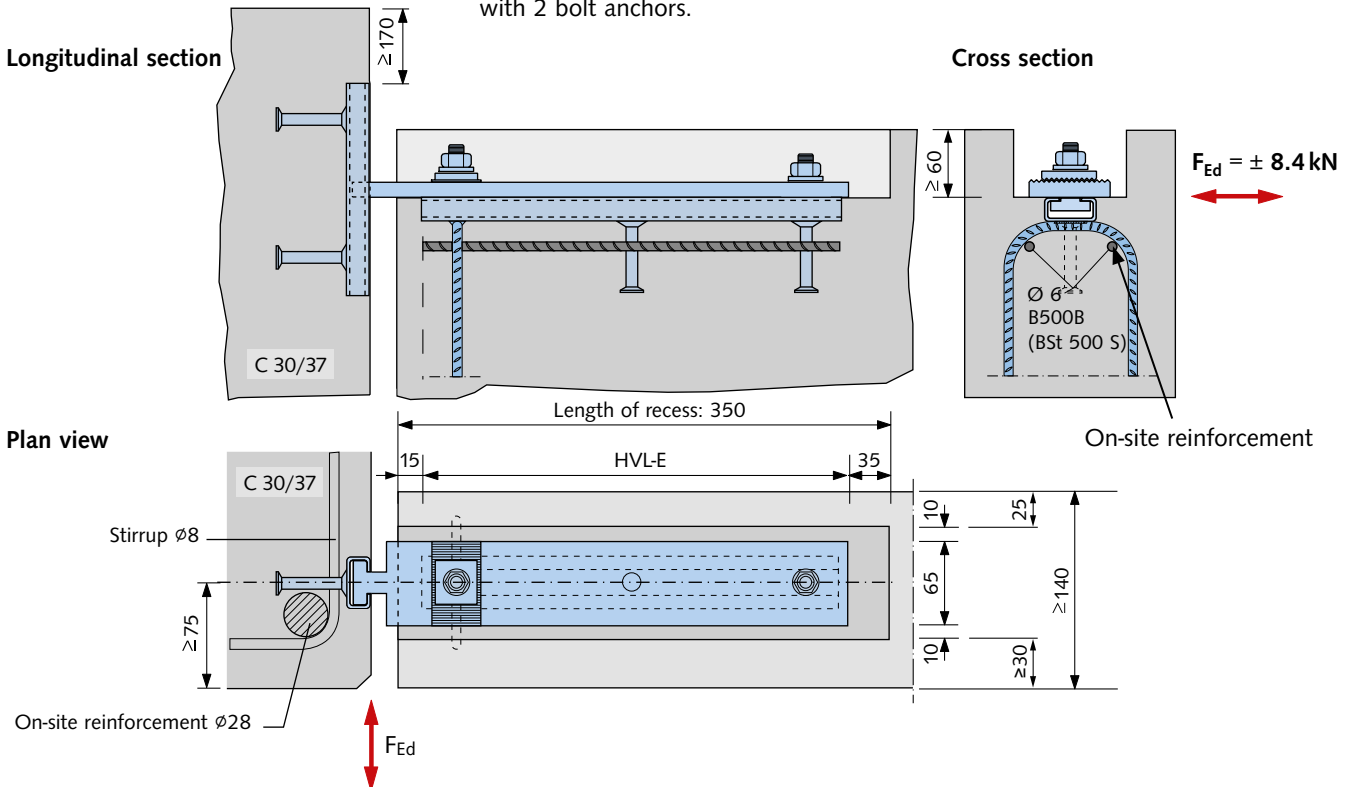
Installation component 2:

HALFEN Cast-in channel HTA-CE 38/17-150 with 2 bolt anchors.

Corrosion protection

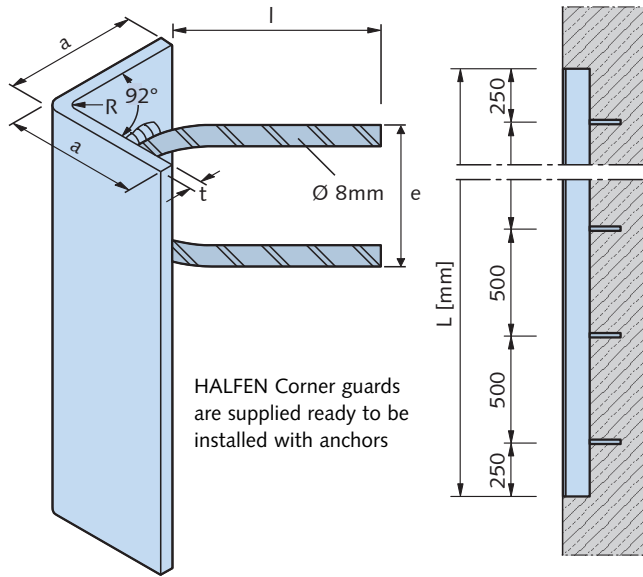
- hammer-head strap, cast-in channel: hot-dip galvanized
- HALFEN Bolts, nuts, washers and springs: galvanized

These parts are covered by mortar after installation.

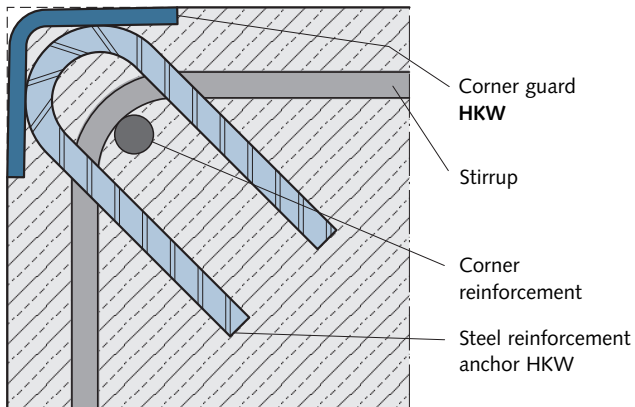


ROOF AND WALLS

HALFEN HKW Corner Guard



Column edge, typical cross-section



Advantages:

- 92° angle ensures a tight fit to the formwork. This prevents concrete seeping between the formwork and the corner profile, resulting in a smoother finish
- U-shaped concrete reinforced anchors do not restrict the corner reinforcement and allow easy installation of the reinforcement
- anchors are of reinforcement steel quality to guarantee optimal anchorage
- competitive pricing through serial production

Corner guard HKW							
Type selection:				Material/Finish:		Anchor dimensions	Radius
Type	a/t [mm]	Length L [mm]	no. of anchors	FV = hot-dip galvanized	A2 = Stainless steel	l × e [mm]	R [mm]
HKW 50/5 -	50/5	500 / 2	2	FV	A2	75 × 55	6
		750 / 2	2	FV	A2		
		1000 / 2	2	FV	A2		
		1500 / 3	3	FV	A2		
		2000 / 4	4	FV	A2		
HKW 80/6 -	80/6	500 / 2	2	FV	A2	100 × 85	8
		750 / 2	2	FV	A2		
		1000 / 2	2	FV	A2		
		1500 / 3	3	FV	A2		
		2000 / 4	4	FV	A2		
HKW 100/8 -	100/8	500 / 2	2	FV	A2	110 × 85	16
		750 / 2	2	FV	A2		
		1000 / 2	2	FV	A2		
		1500 / 3	3	FV	A2		
		2000 / 4	4	FV	A2		

Material/Finish:

■ FV = Corner profile: Steel hot-dip galvanized 1.0038

Anchor: B500B (BSt 500 S)

■ A2 = Corner profile: Stainless steel 1.4307

Anchor: B500B/A NR

Ordering example:

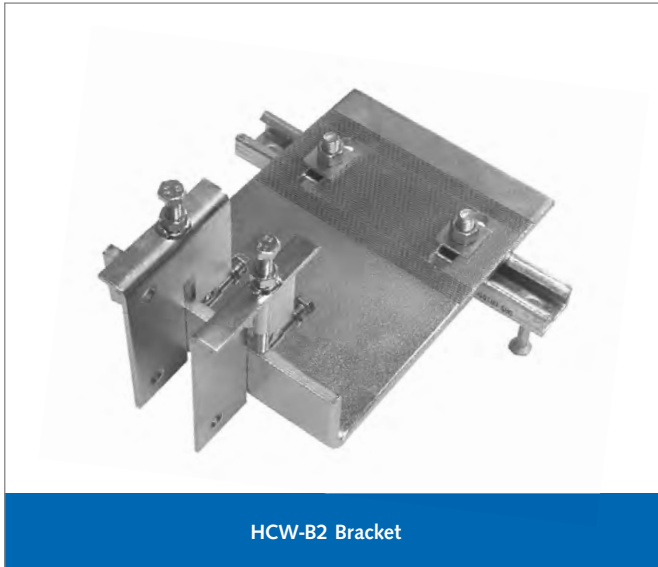
HKW 50/5 - A2 - 2000/4

- length/no. of anchors
- material/finish
- type/profile

HALFEN CURTAIN WALL SYSTEM

The benefits at a glance

Modern buildings require façades of the highest quality that can be installed quickly and safely. This is the reason the HALFEN Curtain Wall System is chosen more and more frequently by architects and investors.

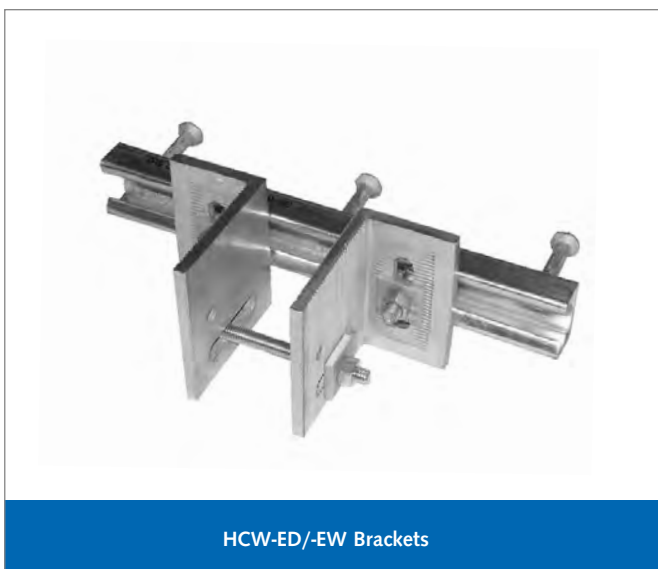


HCW-B2 Bracket

For modular façades. Anchored to the top surface of floor slabs.

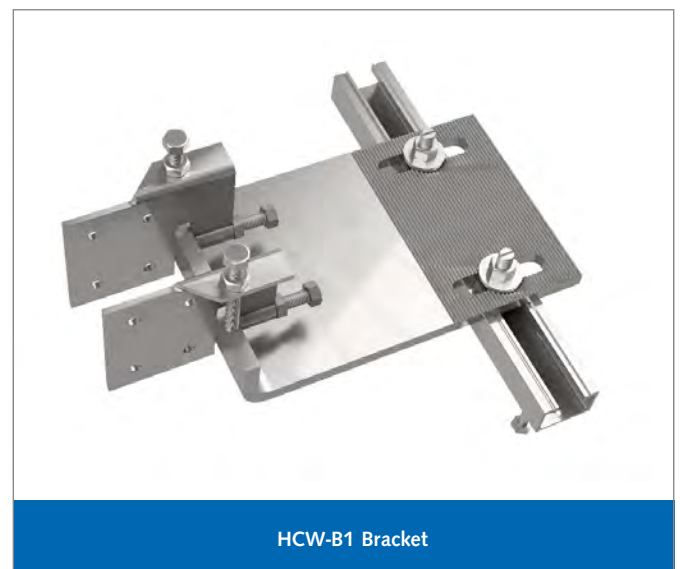
Fast and cost-effective

- › 3-dimensional adjustable connection when used with cast-in channels
- › uses bolts instead of welding
- › fast assembly reduces installation time



HCW-ED/-EW Brackets

For post and beam façades. Anchored to the edges of slabs.

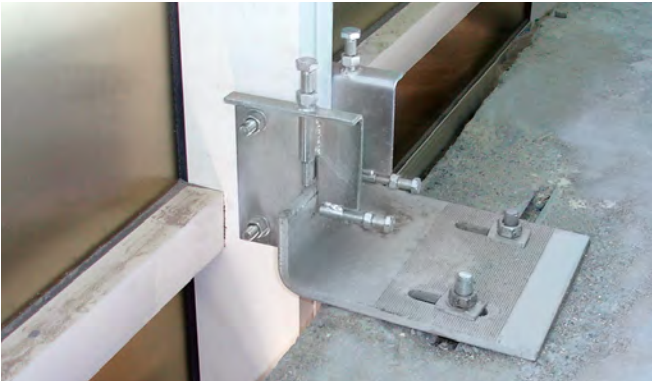


HCW-B1 Bracket

For post and beam façades. Anchored to the top surface of floor slabs.

HALFEN CURTAIN WALL SUPPORT SYSTEMS

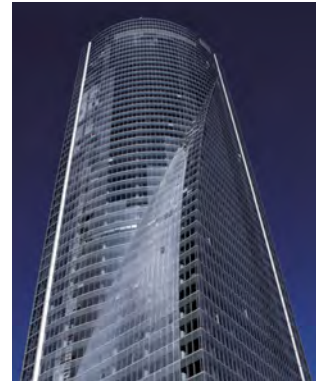
Application Examples



Fixing of a curtain wall system using HCW-B2 Brackets connected to HTA-CE Cast-in channels



Liberty Life, Johannesburg



Torre Espacio, Madrid



Fixing of a post and beam façade using HCW-ED Brackets on HTA-CE Cast-in channels



Post office Tower, Bonn



Sage Centre, Gateshead



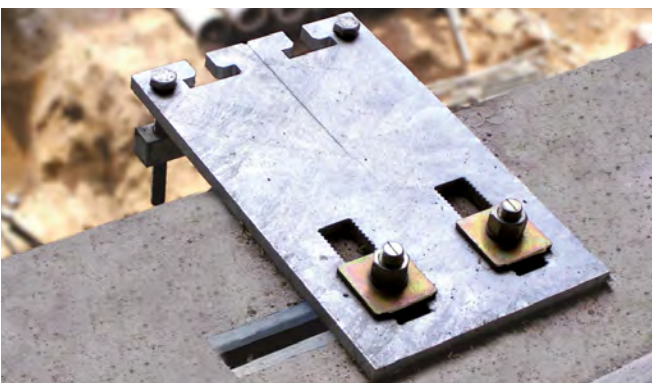
Fixing of a modular façade using HCW-ED Brackets on HTA-CE Cast-in channels



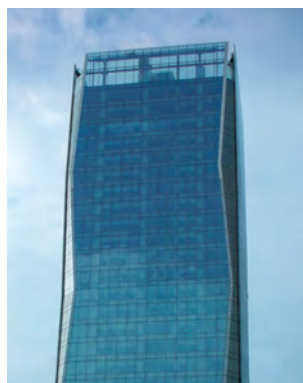
Burj Khalifa, Dubai



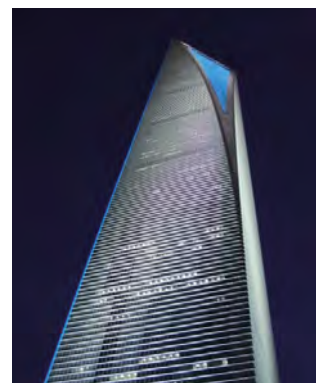
Edificio Gas Natural, Barcelona



Typical curtain wall fixing with HTA-CE Cast-in channels



Westin Libertador Hotel, Lima



World Financial Center, Shanghai

HALFEN CURTAIN WALL SUPPORT SYSTEMS

General

HALFEN Curtain wall system

This type of construction is characterized by an outer wall with a continual outer skin (see figure 1).

The façade is attached to the main structure of the building using only the required number of point-load connections.

Curtain wall façades protect the interior of buildings from external, unwanted environmental influences whilst still

permitting visual contact with the outside environment with structural components that can be opened or are transparent. Specifically, this includes sufficient stability against wind loads, adequate insulation against frost in winter, heat in summer as well as against external noise.

In addition, various requirements must be met to protect against fire and other critical situations.

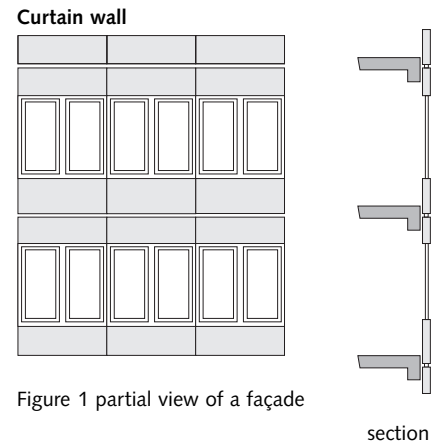


Figure 1 partial view of a façade

Post and beam façade and the modular façade

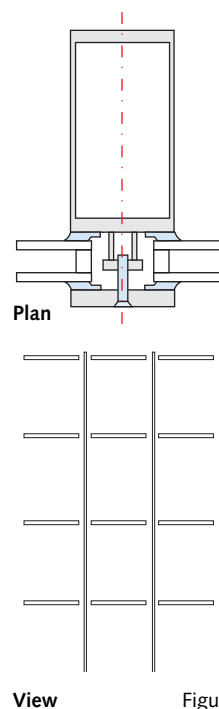
Basically, we distinguish between two methods of curtain wall façades:

- the **post and beam façade**
- and the **modular façade**.

Post and beam façade

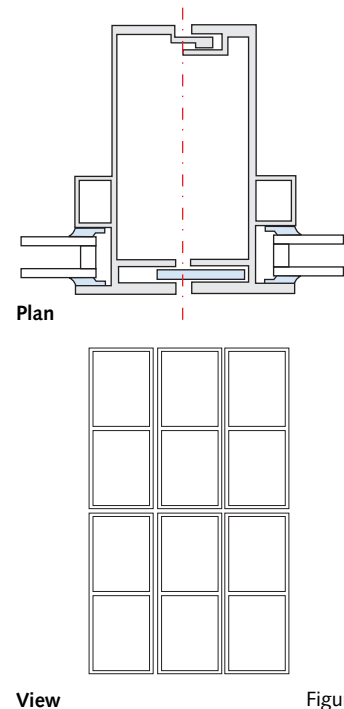
One basic distinctive difference is the way expansion in the façade is distributed (for example; thermal expansion). With the post and beam façade (see figure 2) the vertical and horizontal frame supports are installed in spacings corresponding to the façade elements. The supports are installed with an expansion gap between components allowing for sufficient expansion.

Post and beam façade



View Figure 2

Modular façade



View Figure 3

Modular façade

With the modular façade method (see figure 3), the façade is made of prefabricated elements, in which glass, natural stone or infills are pre-installed. The façade profiles are designed as a key and slot system to allow for expansion.

This method provides immediate weather protection and allows the building contractor to start interior work on the respective floor directly after the prefabricated modules have been installed.

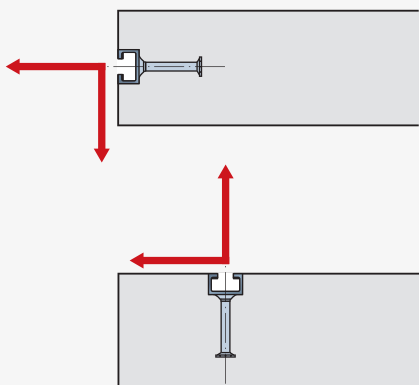
Scaffolding is not required with this method of construction.

HALFEN CURTAIN WALL SUPPORT SYSTEMS

Product range

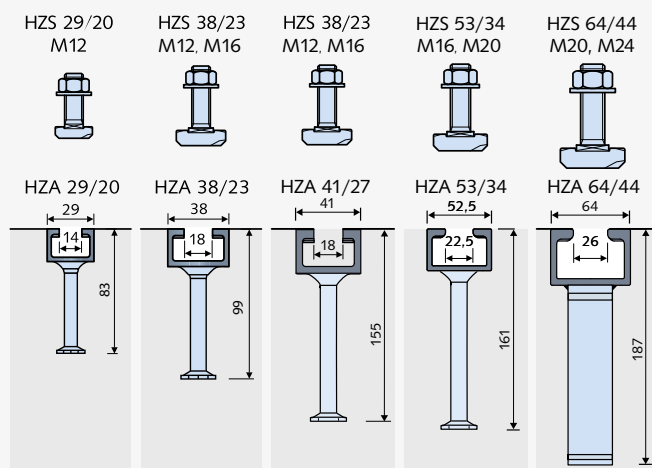
Load conditions and required HALFEN Cast-in channels

Standard slab thickness
with standard tensile and transverse tensile loads
HALFEN Channels with bolt anchors and weld-on I-anchors

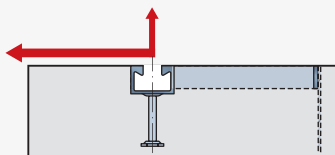


see pages 16-26

Hot-rolled serrated channels and bolts



Thin slabs (thickness ≥ 12.5 cm)
with high transverse tensile loads
and small edge distance
HALFEN Curtain wall channel
HCW 52/34
(not included in the HTA-CE approval)

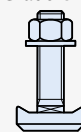


see pages 80-81

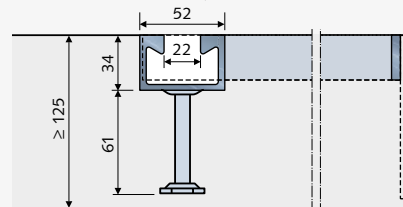
HCW 52/34 and bolt

HS 50/30, M16, M20

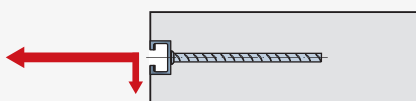
Grade 8.8



HCW 52/34

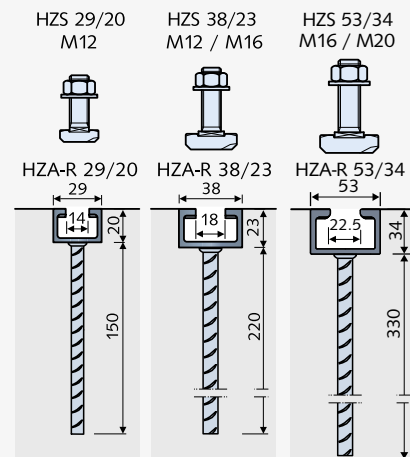


Thin slabs (thickness ≥ 10 cm)
with high tension loads
HALFEN Channels HTA-R or HZA-R
with rebar anchors
(not included in the HTA-CE and
HZA approvals)



see page 82

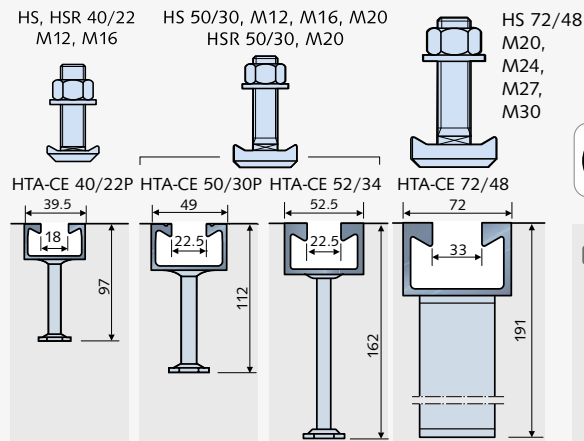
Hot-rolled serrated channels with rebar anchors and bolts



HALFEN CURTAIN WALL SUPPORT SYSTEMS

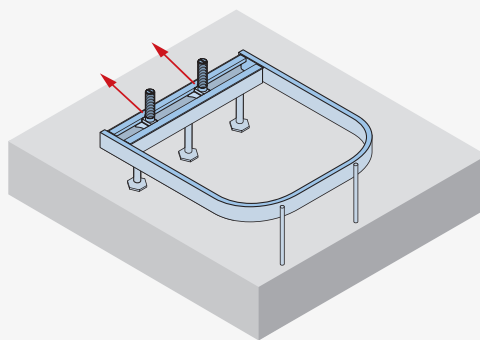
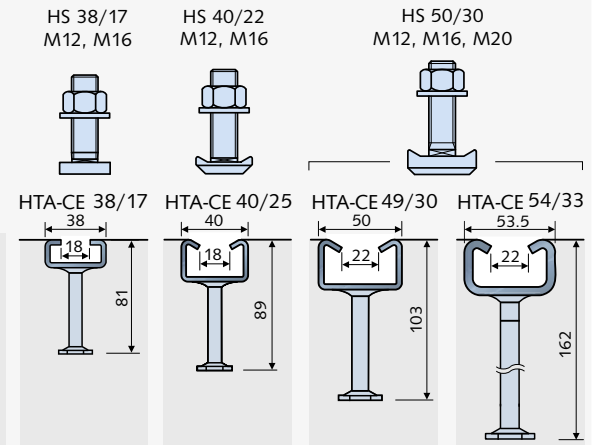
Product Range

Hot-rolled (standard) channels and bolts



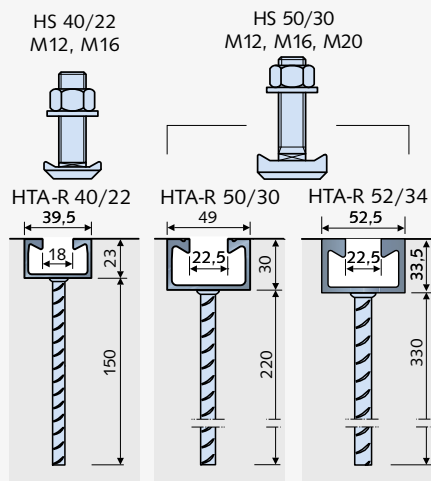
⚠ HSR Bolt according to ETA with additional expert report for load capacity in channel longitudinal direction

Cold-rolled (standard) channels and bolts

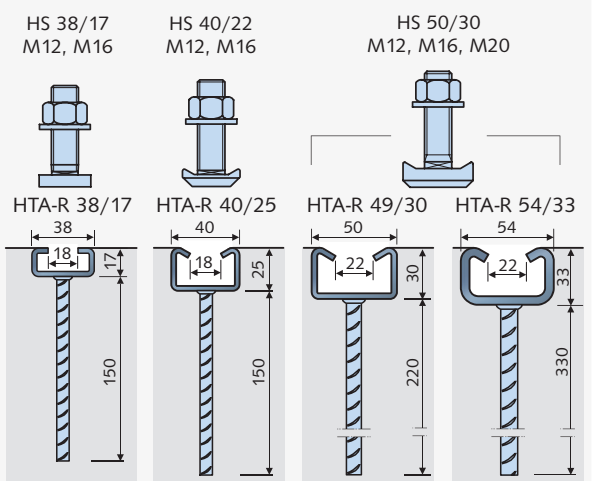


HCW 52/34 with bolts and bracket

Hot-rolled (smooth) channels with rebar anchors and bolts



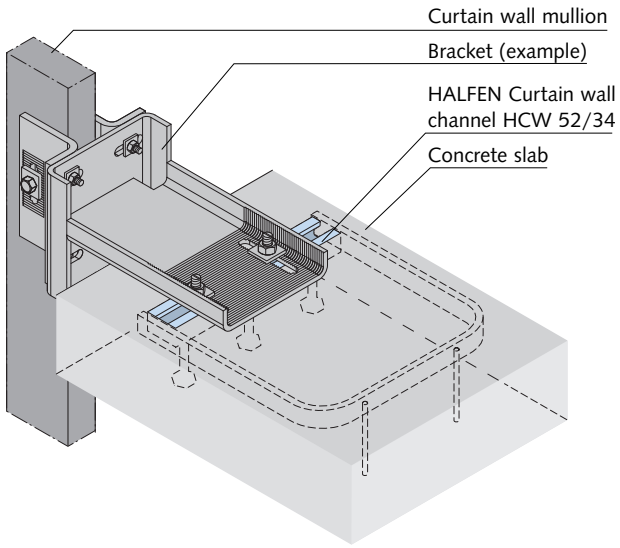
Cold-rolled (smooth) channels with rebar anchors and bolts



HALFEN CURTAIN WALL SUPPORT SYSTEMS

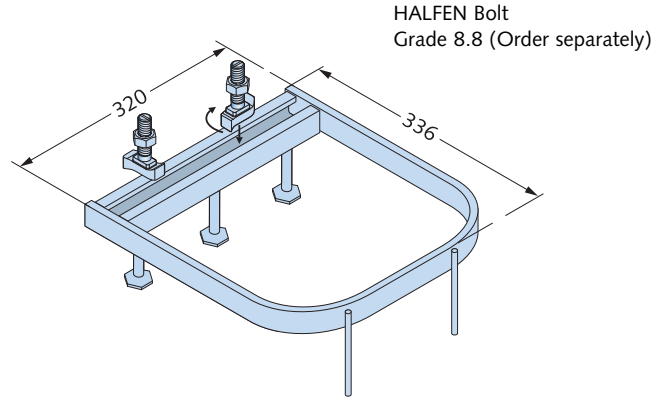
HALFEN Channel HCW 52/34

Typical installation



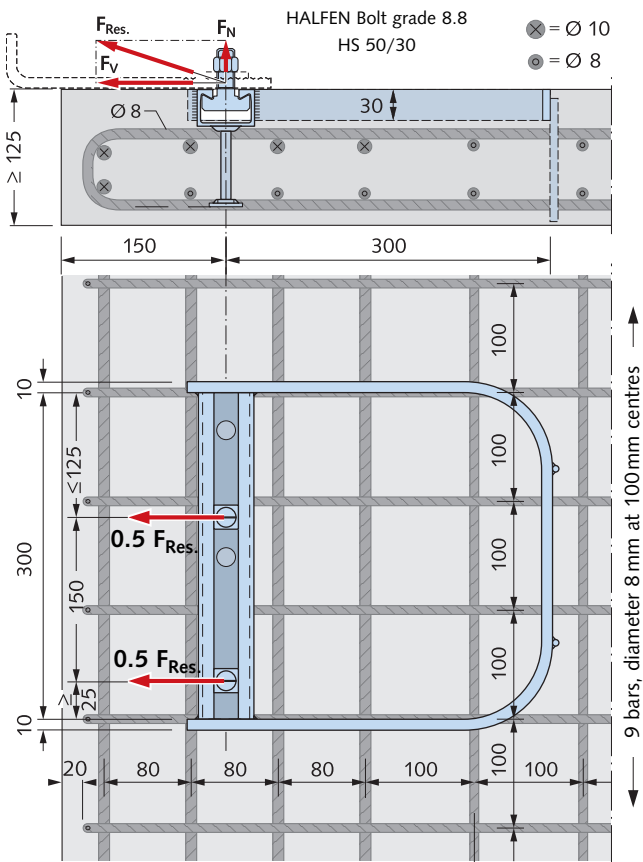
Product description

Identification: HCW 52/34
Material: hot-dip galvanized



Dimensions in [mm]

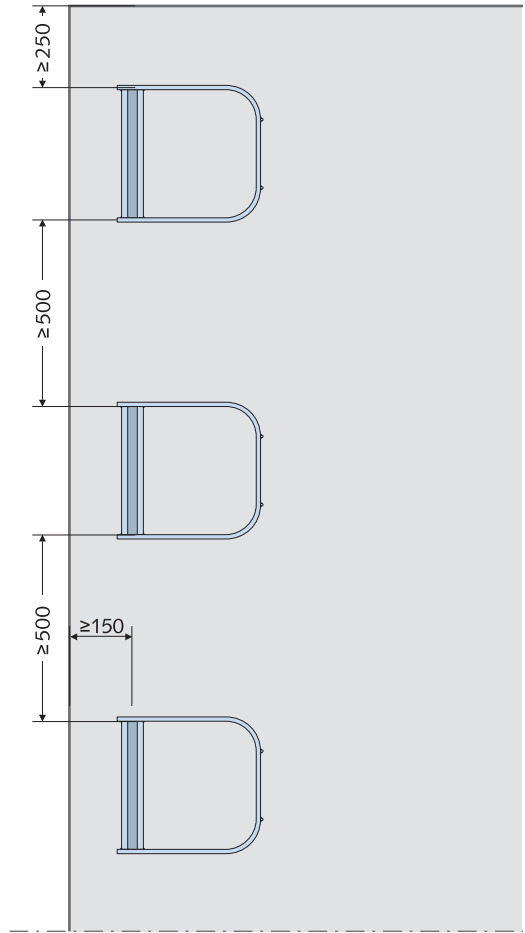
Reinforcement requirements



Dimensions in [mm]
Modifications possible

Note: HALFEN Channel HCW 52/34 is not included in the HTA-CE approval.

Edge and element spacing



HALFEN CURTAIN WALL SUPPORT SYSTEMS

HALFEN Cast-in Channel HCW 52/34

Channel load data

The following load failure were averaged from three tests:

$F_{V \text{ failure}}$	=	142.3 kN
$F_{N \text{ failure}}$	=	47.4 kN
$F_{\text{res, failure}}$	=	$\sqrt{F_N^2 + F_V^2}$ = 150.0 kN

The load deformation diagram (see right) may be used to determine allowable loads based on acceptable displacement and the required safety factor according to local building codes. The diagram is based on the following:

- tensile and transverse loads were increased at a ratio of 1:3 up to breaking point
- concrete slab thickness ≥ 125 mm and reinforcement as shown on page 78
- concrete strength class $\geq C 20/25$ N/mm²
- load is transferred into the channel via two HALFEN Bolts HS 50/30 M20 Grade 8.8. The bolt spacing is 150 mm. A sample calculation is shown below.

The safety factor is freely selected. However, it must be determined which factors are actually to be implemented, whether these are based on project specific boundary condition or on valid building regulations.

Calculation example: Assumed safety factor $v = 3$
(failure test load / working load)

Average failure load from the tests:

Transverse tensile stress	$F_{V \text{ ultimate}}$	=	142.3 kN
Tensile stress	$F_{N \text{ ultimate}}$	=	47.4 kN
Res. diagonal tensile load	$F_{\text{res, ultimate}}$	=	150.0 kN

Actual working loads at bolts (specification by façade engineer):

Transverse tensile stress	$F_V = 35$ kN
Tensile stress	$F_N = 10$ kN

Allowable load with $v = 3$ against average ultimate load from tests:

perm. F_V	=	$142.3 / 3 = 47.4$ kN
perm. F_N	=	$47.4 / 3 = 15.8$ kN
perm. F_{res}	=	$150 / 3 = 50.0$ kN

Control: Working load $F_V = 35$ kN < 47.4 kN

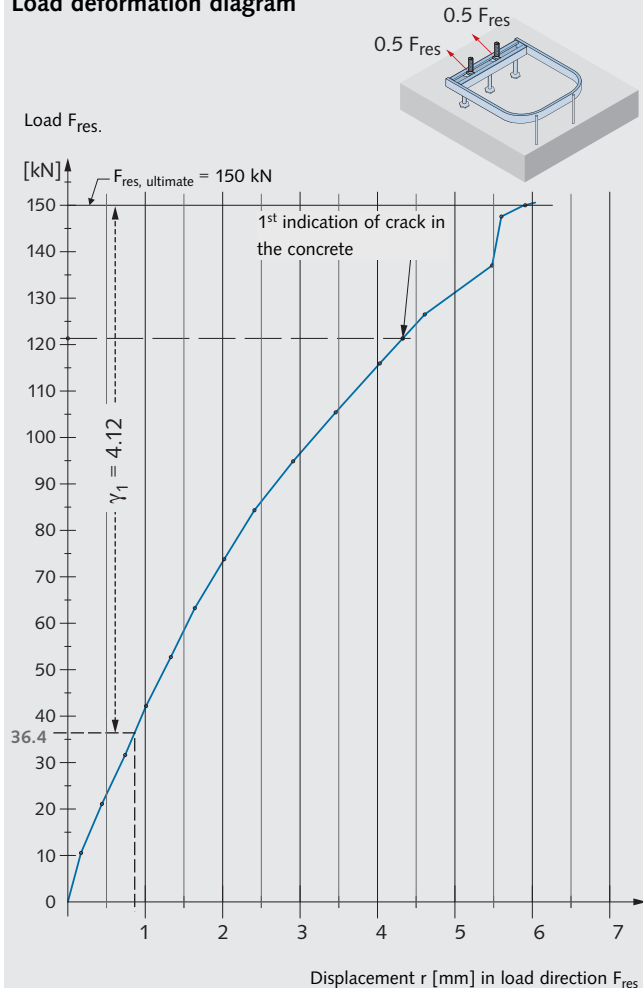
Working load $F_N = 10$ kN < 15.8 kN

Working load $F_{\text{res}} = \sqrt{(10)^2 + (35)^2} = 36.4$ kN < 50 kN

Displacement at working load < 1 mm (see diagram).

Actual safety factor for average ultimate load $\gamma_1 = (150 / 36.4) = 4.12$.

Load deformation diagram



Corresponding HALFEN Bolts HS 50/30

Depending on the load size, we also recommend using HALFEN Bolts HS 50/30 M16 or M20, grade 8.8 in combination with HALFEN Cast-in channel HCW 52/34. The bolts stated below are hot-dip galvanized. Other bolt

sizes and materials can be supplied. Please contact us for detailed information. Addresses can be found at the back of this catalogue.

Type selection HALFEN Bolts HS 50/30 FV Grade 8.8

Thread	Material grade	Available length L [mm]	Allowable resulting bolt load (all directions) perm. F_s [kN]	Allowable bending moment [Nm]	Recommended torque [Nm]	If the bolt is stressed in the direction of a slot its load capacity must be verified taking bolt flexure into account.
M 16	8.8	40, 60, 80, 100	36.1	111	60	
M 20	8.8	45, 60, 80, 100	56.4	216	120	

HALFEN CURTAIN WALL SUPPORT SYSTEMS

HALFEN Cast-in Channels with Rebar Anchor HTA-R and HZA-R

Design basics

Structural analysis

Material resistance shear

Material resistance Design load

Material resistance tension

Material resistance resulting diagonal pull

V_{yRd}

N_{Rd}

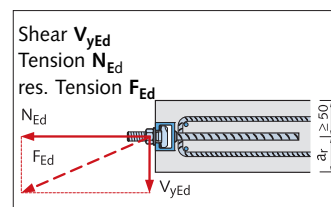
F_{Rd}

$\geq V_{yEd}$

$\geq N_{Ed}$

$\geq F_{Ed}$

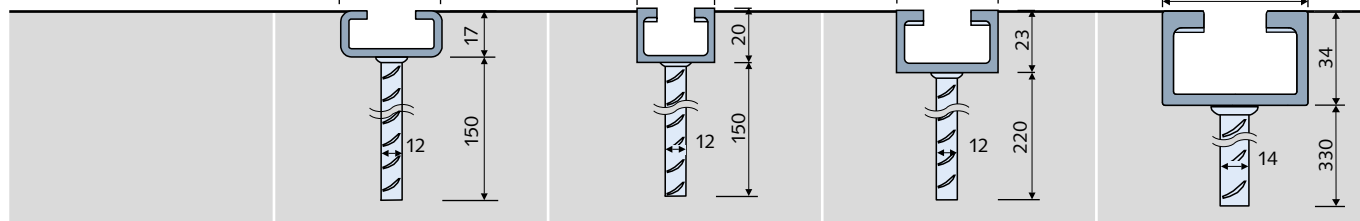
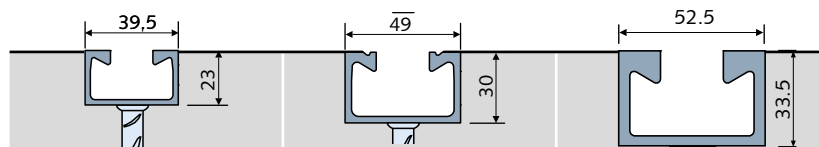
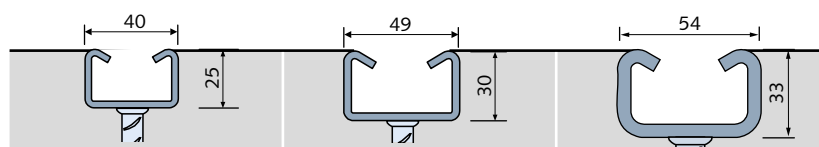
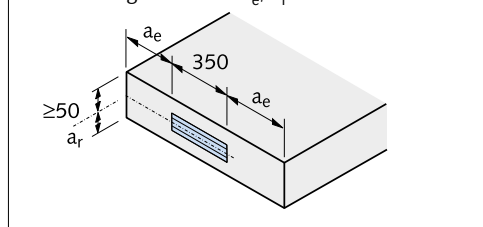
$$= \sqrt{N_{Ed}^2 + V_{y,Ed}^2}$$



HALFEN Channels HTA-R and HZA-R – Design values for material resistance

The minimum edge distance shown in the table applies to reinforced concrete

Minimum edge distances $a_{e,r}$



HALFEN Cast-in channel type	HTA-R 38/17 ②	HTA-R 40/25 ② HTA-R 40/22 ② HZA-R 29/20 ③	HTA-R 49/30 ② HTA-R 50/30 ② HZA-R 38/23 ③	HTA-R 54/33 ③ HTA-R 52/34 ③ HZA-R 53/34 ③
Concrete strength grade $\geq C20/25$ $f_{ck,cyl.} = 20 \text{ N/mm}^2$ $f_{ck,cube} = 25 \text{ N/mm}^2$	350 mm 3 anchors	350 mm 3 anchors	350 mm 3 anchors	350 mm 3 anchors
$F_{Rd} = N_{Rd}$ [kN]	2×7.0	2×9.1	2×14.0	2×24.5
a_r [mm]	≥ 50	≥ 60	≥ 70	≥ 75
a_e [mm]	≥ 40	≥ 45	≥ 50	≥ 50
V_{yRd} [kN]	2×2.4	2×3.7	2×4.9	2×5.6
Material: hot-dip galvanized	Channel	1.0038 / 1.0044		Anchor
		B500B		
Material: stainless steel	Channel	1.4571 / 1.4404 ④		Anchor
		B500B		

② Material 1.0038, ③ Material 1.0044, ④ Not available for HALFEN Cast-in channels HZA-R 29/20

Notes: HALFEN Cast-in channels HTA-R / HZA-R are not included in the HTA-CE/HZA approval

Other channel lengths from 150-6070 mm are available

HALFEN CURTAIN WALL SUPPORT SYSTEMS

Edge of Slab Brackets HCW-ED Post and Beam Façades

Application example

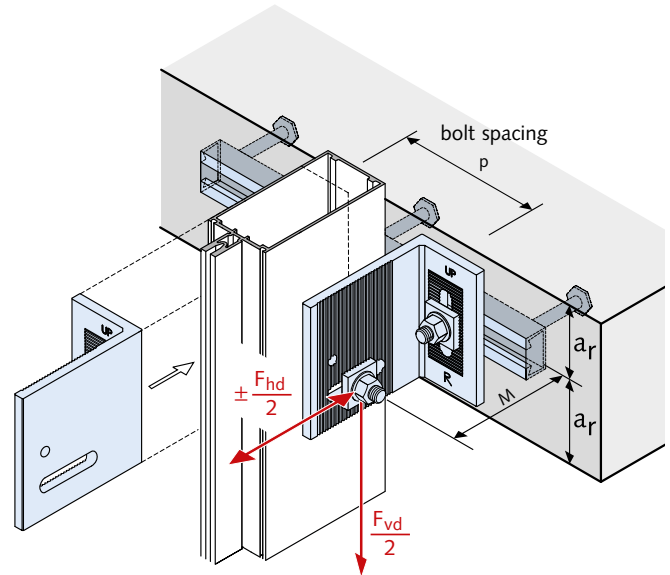
HALFEN Edge of slab brackets are connected in pairs, one each side of the mullion, and are available in two types:

- **Type HCW-ED** Brackets are designed to support both **vertical and horizontal** loads.
- **Type HCW-EW** Brackets are designed to support only **horizontal** wind loads.

The brackets guarantee a simple adjustable connection. The HALFEN Bolts (connection: bracket to HALFEN Channel) and the standard hexagonal bolts M12 (connection: bracket to façade mullion) must be grade strength 8.8.

A round auxiliary hole in the long arm of the brackets can be used for temporary attachments. For example; temporary fixing of brackets to support the post with self-tapping screws until the final connection is made.

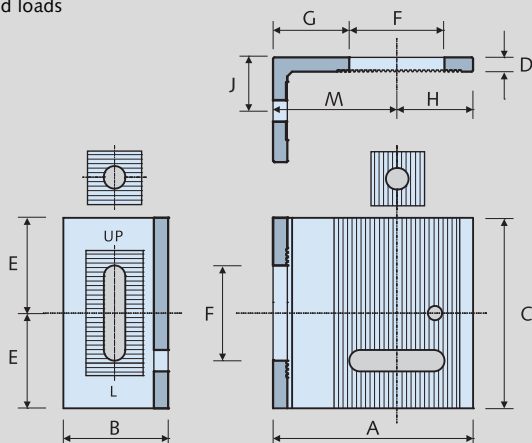
The brackets are made of high quality aluminium material. Special nylon discs are placed between the "Wind load" Bracket HCW-EW and support post.



To guarantee correct installation, the HCW-ED brackets are marked 'R' for right, 'L' for left and 'UP' for top.

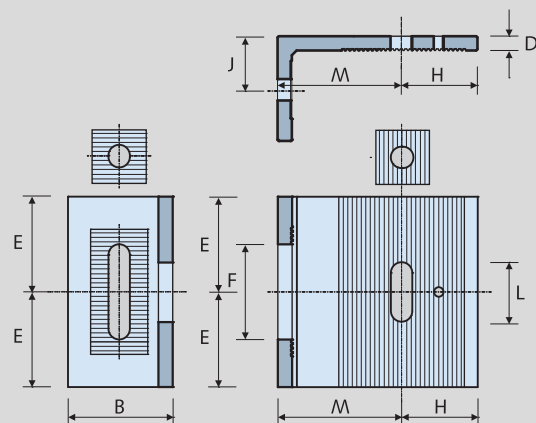
Bracket dimensions [mm]

HCW-ED Brackets for dead loads and wind loads



Serrated washers must be ordered separately

HCW-EW Brackets wind loads only



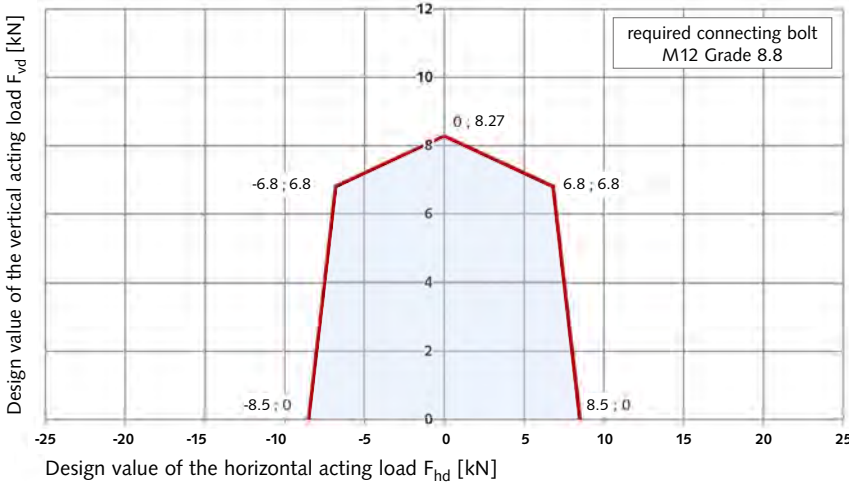
Serrated washers must be ordered separately

Size	Bracket code	A	B	C	D	E	F	G	H	J	L	M
Small	HCW-ED 1 HCW-EW 1	108	70	114	10	57	64	25	51	36	40	57
Medium	HCW-ED 2	133	70	127	10	64	64	51	51	36	40	82
Large	HCW-ED 3 HCW-EW 3	159	70	140	10	70	64	76	51	36	40	108

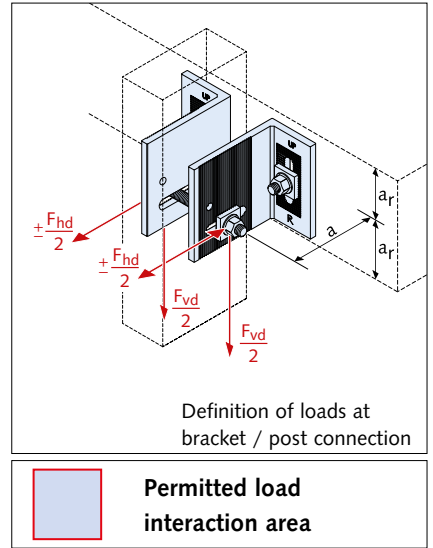
HALFEN CURTAIN WALL SUPPORT SYSTEMS

Dimensioning

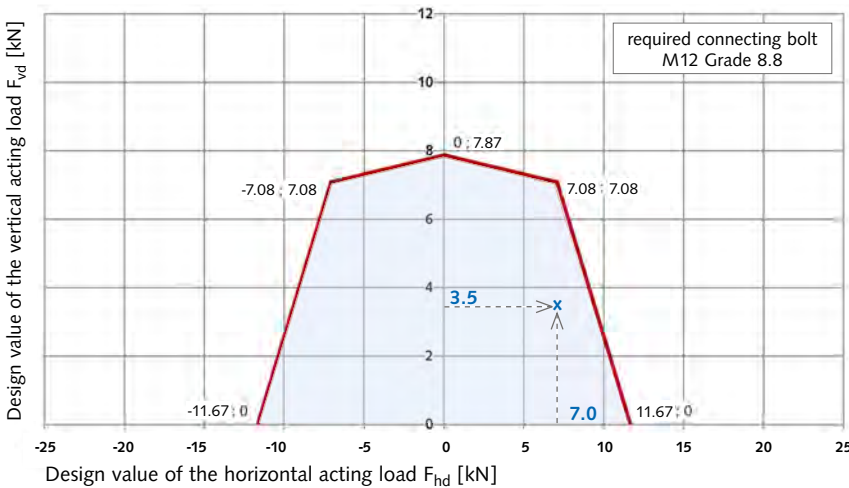
Interaction diagram for type HCW-ED1 (small)



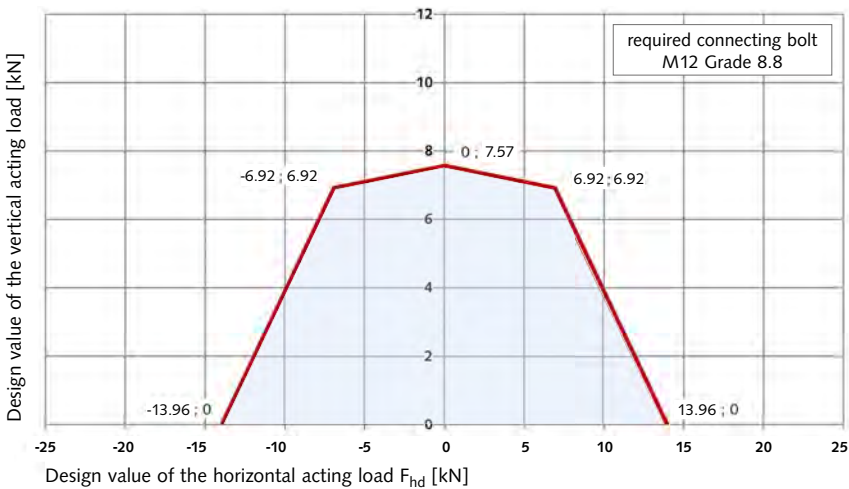
Calculation basis



Interaction diagram for type HCW-ED2 (medium)



Interaction diagram for type HCW-ED3 (large)



HALFEN CURTAIN WALL SUPPORT SYSTEMS

Design Loads using two HCW-EW Brackets, Loads in the HALFEN Bolts (HCW-ED)

Design wind loads for type HCW-EW

Max. applied design load F_{hd} [kN]			
Size	Bracket code	max. F_{vd} [kN]	max. F_{hd} [kN]
Small	HCW-EW 1	0	8.5
Large	HCW-EW 3	0	13.96

HCW-EW Brackets are only suitable for wind loads.

Forces acting on the T-head bolts at the channel (HCW-ED)

The components of the design-reaction forces in the HALFEN Bolts at the connection of the curtain wall bracket to HALFEN Cast-in channel, are calculated by multiplying the design loads F_{vd} and F_{hd} at connection curtain wall bracket and façade support post with the factors s_x , s_y and s_z . The factors are dependent on the bracket geometry, the load direction and the bolt position (see figure on the right). See table below for multiplication factors for determining the design reaction forces in the HALFEN Bolts.

Lower installation position of HALFEN Bolt (Position 3)

Bracket	Dead load $S_i = (F_{vd} / 2) \times s_i$			Wind load $S_i = (F_{hd} / 2) \times s_i$			Resulting load 45° $S_i = (\text{res. } F_d / 2) \times s_i$		
	s_x	s_y	s_z	s_x	s_y	s_z	s_x	s_y	s_z
HCW-ED 1	0.5	3.2	-1.0	-1.0	1.0	0.0	-0.3	3.0	-0.7
HCW-ED 2	0.5	3.6	-1.0	-0.5	1.0	0.0	0.0	3.3	-0.7
HCW-ED 3	0.5	4.0	-1.0	-0.4	1.0	0.0	0.1	3.5	-0.7

Upper installation position of HALFEN Bolt (Position 1)

HCW-ED 1	0.6	1.3	-1.0	-1.0	3.6	0.0	-0.3	3.4	-0.7
HCW-ED 2	0.6	1.6	-1.0	-0.5	3.1	0.0	0.0	3.4	-0.7
HCW-ED 3	0.6	1.9	-1.0	-0.4	2.9	0.0	0.1	3.4	-0.7

Calculation example

Assumed: slab thickness = 200 mm, width of mullion = 80 mm,
projection a = 80 mm (install. position see page 84)
design dead load $F_{vd} = +3.5$ kN
design wind load (wind suction) $F_{hd} = +7.0$ kN

Selected: HALFEN Bracket type HCW-ED 2
⇒ possible projection $M = 82 \pm 25$ mm
⇒ Interaction diagram type HCW-ED 2
(see page 84) proves that the assumed load is within the permitted load interaction zone

Determination of the design reaction forces in a HALFEN Bolt

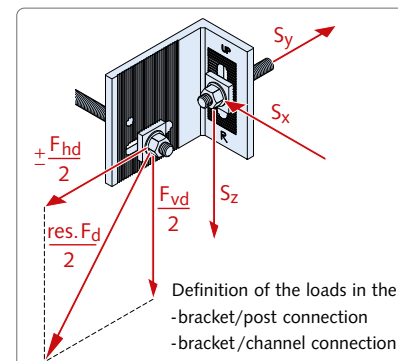
① Lower installation position (Position 3)

$$\begin{aligned} S_x &= (3.5/2) \times 0.5 + (7/2) \times (-0.5) = -0.88 \text{ kN} \\ S_y &= (3.5/2) \times 3.6 + (7/2) \times 1.0 = +9.80 \text{ kN} \\ S_z &= (3.5/2) \times (-1.0) + 0 = -1.75 \text{ kN} \end{aligned}$$

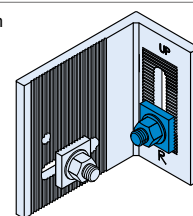
⇒ Resulting bolt load

$$\text{res. } S_d = \sqrt{(-0.88)^2 + (9.80)^2 + (-1.75)^2} = 9.99 \text{ kN} \quad \text{per bolt}$$

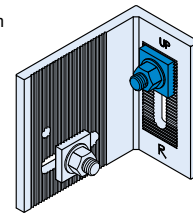
Calculation basis



① Lower installation position of HALFEN Bolts (Position 3)



② Upper installation position of HALFEN Bolts (Position 1)



② Upper installation position (Position 1)

$$\begin{aligned} S_x &= (3.5/2) \times 0.6 + (7/2) \times (-0.5) = -0.70 \text{ kN} \\ S_y &= (3.5/2) \times 1.6 + (7/2) \times 3.1 = +13.65 \text{ kN} \\ S_z &= (3.5/2) \times (-1.0) + 0 = -1.75 \text{ kN} \end{aligned}$$

⇒ Resulting bolt load

$$\text{res. } S_d = \sqrt{(-0.70)^2 + (13.65)^2 + (-1.75)^2} = 13.78 \text{ kN} \rightarrow \text{each bolt}$$

→ determining factor for bolt selection

Selected HALFEN Channel:

HTA-R 50/30 - 350 - 3 Anchor - FV see page 82

with $V_{yRd} = 2 \times 5.6 \text{ kN} > 2 \times |S_z| = 2 \times 1.75$

($a_r \geq 75$ mm)

$$F_{Rd} = 2 \times 14.0 \text{ kN} > 2 \times \text{res. } S_d = 2 \times 13.78 \text{ kN}$$

Check: bolt spacing: $P = 80 + 2 \times 36 = 152$ mm

Selected HALFEN Channel: > 150 mm ✓

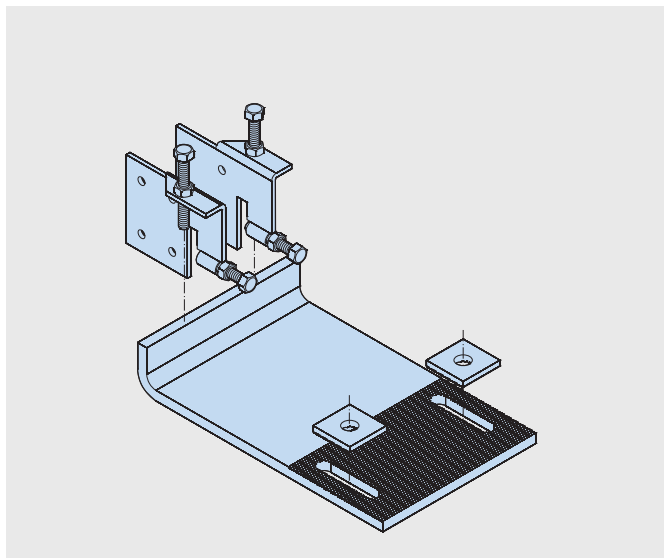
HS 50/30 - M12 × 60 FV 8.8

Requirement according to interaction diagram see page 84

HALFEN CURTAIN WALL SUPPORT SYSTEMS

Top of Slab Brackets HCW-B1

Support brackets for horizontal and vertical loads

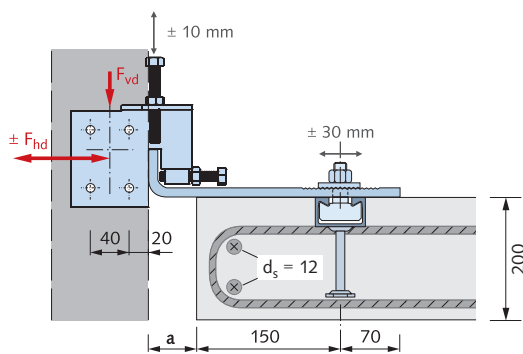


HALFEN Brackets HCW-B1

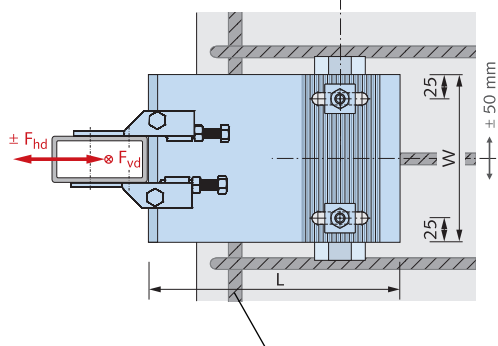
HALFEN Brackets HCW-B1 for installing to the top of concrete slabs, are available in two load ranges and three cantilever sizes.

The brackets are made in grade S355 quality galvanized steel. Vertical adjustability is ± 10 mm.

Three-dimensional adjustability is ensured when used in combination with HALFEN HTA-CE Cast-in channels.



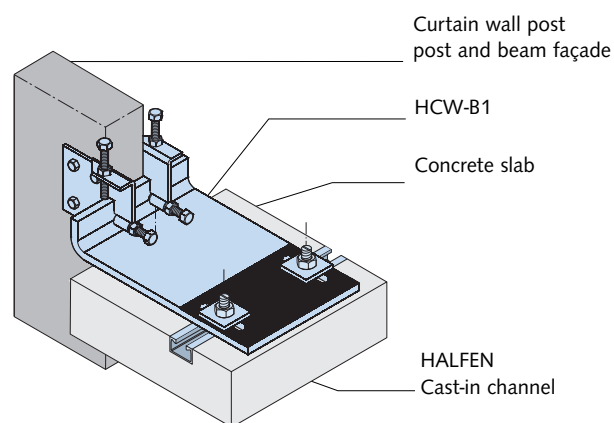
Section



Plan

Required edge reinforcement $\geq \varnothing 12$ (B500B)

Typical installation



The lateral connecting plates are connected to the façade posts using M8 screws (not included). The façade planner is responsible for providing the static verification for the support posts. Use M16 HALFEN Bolts, grade 8.8 (order separately), to connect the base bracket to the HALFEN Cast-in channel. Depending on the façade type, the connection between the connecting plate and the base bracket can be designed either laterally adjustable or as a fixed point.

Dimensioning / Type selection

Design load ranges

Load range [kN]	dead load F_{vd} [kN]	wind load F_{hd} [kN] (wind suction + compression)
4/12	4	± 12
7/20	7	± 20

F_{vd} , F_{hd} : allowable design loads with a partial safety factor $\gamma_F = 1.35$ for dead load and $\gamma_F = 1.5$ for wind load.

Type selection

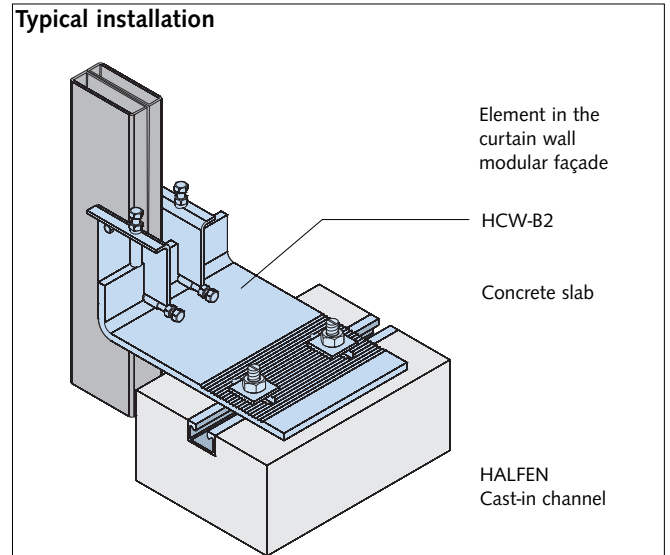
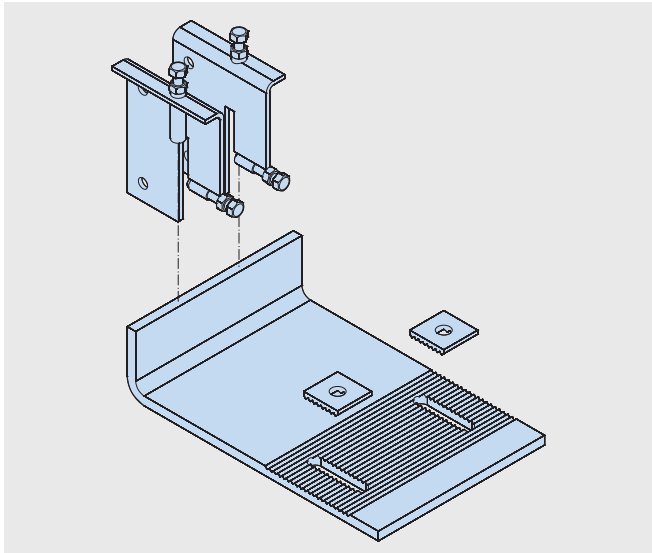
Load range [kN]	a [mm]	Item name HCW-B1-...	L [mm]	W [mm]	HALFEN Channel ①	Recommended HALFEN Bolt
4/12	50	...-4/12-50	270	150	HTA-CE	HS 40/22
	75	...-4/12-75	295	150	40/22P-250	M16×60
	100	...-4/12-100	320	150	2 Anchors	8.8
7/20	50	...-7/20-50	270	175	HTA-CE	HS 50/30
	75	...-7/20-75	295	175	50/30P-300	M16×60
	100	...-7/20-100	320	200	3 Anchors	8.8

① Recommended HALFEN Channel exploiting full load capacity of bracket

HALFEN CURTAIN WALL SUPPORT SYSTEMS

Top of Slab Brackets HCW-B2

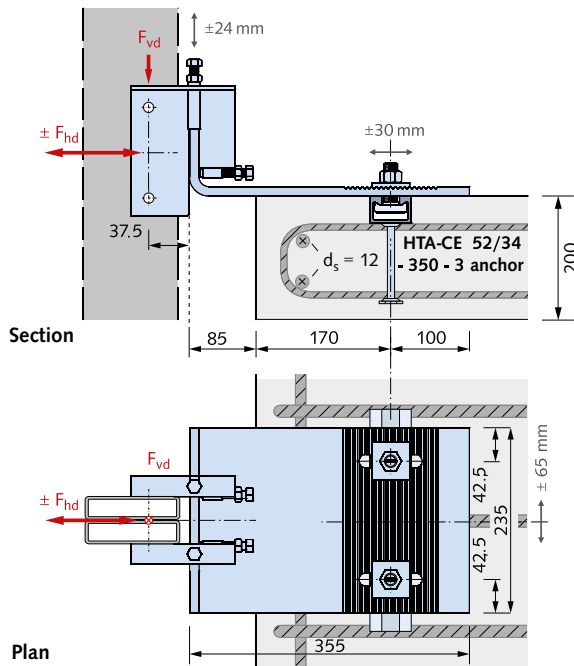
Brackets for horizontal and vertical loads



HALFEN Brackets HCW-B2

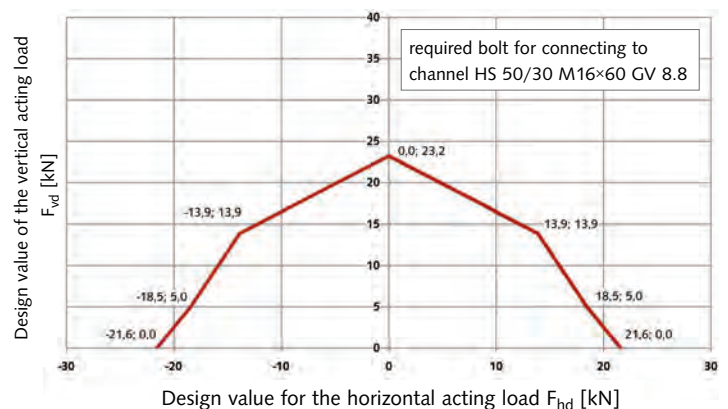
HALFEN Brackets HCW-B2 are made in grade S355 quality galvanized steel. The vertical adjustability is ± 24 mm. Three-dimensional adjustability is ensured when used in combination with HALFEN Cast-in channels HTA-CE. The lateral connecting plates are connected to the façade posts using M12 screws (not included in delivery).

The façade planner is responsible for providing the static verification for the support posts. Use M16 HALFEN Bolts, grade 8.8 (order separately), to connect the base bracket to the HALFEN Cast-in channel. Depending on the façade type, the connection between the connecting plate and the base bracket can be designed either laterally adjustable or as a fixed point.



Required edge reinforcement $\geq \phi 12$ (B500B)

Dimensioning



Allowable load interaction area

ACCESSORIES

The benefits at a glance

You can design nearly all connections in buildings and industrial plants with HALFEN Channels. With Cast-in channels or framing channels, HALFEN Bolts and with our wide range of accessories we provide fastenings for all purposes.



KLP Rail clips

Application example with HALFEN KLP Rail clips

Fast and cost-effective

- > 3-dimensional adjustable connection when used with cast-in channels
- > uses bolts instead of welding
- > simple assembly reduces installation time



VBM Coupler sleeve

Connect nearly everything with a VBM Coupler sleeve

Further accessories for construction and industrial design

The HALFEN Framing system (industrial) product range can be found in the following catalogues:

HALFEN Flexible bolt connections, HALFEN Flexible framing connections or HALFEN Powerclick System.



e.g. channel rings,
cantilever arms,
pipe clamps

e.g. threaded
locking plates

ACCESSORIES

Nuts and washers

MU

Hexagonal nuts
EN ISO 4032/
DIN 934

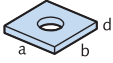


GV galvanized FK 8 thread	A4 stainless steel Bolt	S/m DIN [mm]	S/m ISO [mm]
M6	M6	10/5	10/5.2
M8	M8	13/6.5	13/6.8
M10	M10	17/8	16/ 8.4
M12	M12	19/10	18/10.8
M16	M16	24/13	24/14.8
M20	M20	30/16	30/18
M24	-	36/19	36/21.5
FV hot-dip galvanized thread	A2 stainless steel Bolt	S/m DIN [mm]	S/m ISO [mm]
M6	-	10/5	10/5.2
M8	M8	13/6.5	13/6.8
M10	M10	17/8	16/8.4
M12	M12	19/10	18/10.8
M16	M16	24/13	24/14.8

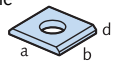
VUS

Square washers

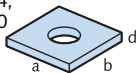
VUS 40/25
for profile
40/25;
HZA
41/22



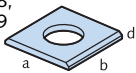
VUS 49/30
for profile
54/33,
49/30



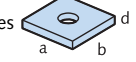
VUS 52/34
for profile
52/34,
50/30



VUS 72/49
for profile
72/48,
72/49



VUS 41/41
for all
41/..
profiles



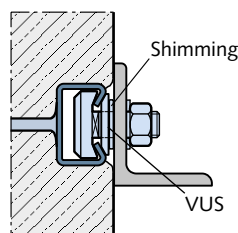
FV Hot-dip galvanized Bolt size	A4 Stainless steel Bolt size	a × b × d [mm]
M10	M10	40 × 40 × 5
M12	M12	40 × 40 × 5
M16	M16	40 × 40 × 5
M10	M10	37 × 37 × 5
M12	M12	37 × 37 × 5
M16	M16	37 × 37 × 5
M20	M20	37 × 37 × 5
M16	M16	50 × 50 × 6
M20	M20	50 × 50 × 6
M20	M20	54 × 54 × 6
M24	M24	54 × 54 × 6
M27	M27	54 × 54 × 6
M30	M30	54 × 54 × 6
M6	M6	40 × 40 × 6
M10	M10	40 × 40 × 6
M12	M12	40 × 40 × 6

GV galvanized	A4 Stainless steel A4	Suitable for HALFEN bolts Type	Dimensions
SIC - 50/30 - GV	SIC - 50/30 - A4	50/30	M16, M20
SIC - 40/22 - GV	SIC - 40/22 - A4	38/17 40/22	M16
SIC - 38/23 - GV	-	38/23	M16
SIC - 29/20 - GV	-	29/20	M12
SIC - 38/17 - GV	SIC - 38/17 - A4	38/17 40/22	M12, M10
SIC - 28/15 - GV	SIC - 28/15 - A4	28/15	M8, M10
SIC - 20/12 - GV	SIC - 20/12 - A4	20/12	M8

Ordering example: VUS 52/34 - FV - M20

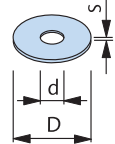
Application VUS:

for shimming non-flush
installation of HALFEN
Anchor channels or for
stand-off installations
→ see page 37.



US

Washers
DIN EN
ISO 7093/
DIN 9021;
DIN EN ISO
7094

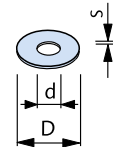


DIN/ ISO	GV galvanized, bolt	A4 stainless steel bolt	D [mm]	d [mm]	s [mm]
7094	M6	-	22	6.6	2
9021	M8	M8	24	8.4	2
9021	M10	M10	30	10.5	2.5
7094	M12	-	45	13.5	4
9021	M12	M12	37	13	3
9021	M16	M16	50	17	3
7094	M20	-	72	22	6
	FV hot-dip galv. bolt		D [mm]	d [mm]	s [mm]
9021	M10	-	30	10.5	2.5
9021	M12	-	37	13	3
9021	M16	-	50	17	3

Ordering example: US - M12 - GV - DIN 9021

US

Washers
DIN EN
ISO 7089/
DIN 125

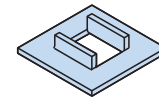


GV galvanized bolt	A4 Stainless steel bolt	D [mm]	d [mm]	s [mm]
M6	M6	12	6.4	1.6
M8	M8	16	8.4	1.6
M10	M10	21	10.5	2
M12	M12	24	13	2.5
M16	M16	30	17	3
M20	M20	37	21	3
M24	-	44	25	4
FV Hot-dip galvanized	A2 Stainless steel bolt	D [mm]	d [mm]	s [mm]
-	M8	17	8.4	1.6
M10	M10	21	10.5	2
M12	M12	24	13	2.5
M16	M16	30	17	3
M20	-	37	21	3
M27	-	50	28	4

Ordering example: US - M12 - GV - DIN 125

SIC

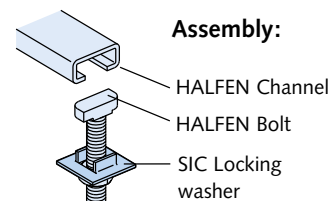
Locking
washer



GV galvanized	A4 Stainless steel A4	Suitable for HALFEN bolts Type	Dimensions
SIC - 50/30 - GV	SIC - 50/30 - A4	50/30	M16, M20
SIC - 40/22 - GV	SIC - 40/22 - A4	38/17 40/22	M16
SIC - 38/23 - GV	-	38/23	M16
SIC - 29/20 - GV	-	29/20	M12
SIC - 38/17 - GV	SIC - 38/17 - A4	38/17 40/22	M12, M10
SIC - 28/15 - GV	SIC - 28/15 - A4	28/15	M8, M10
SIC - 20/12 - GV	SIC - 20/12 - A4	20/12	M8

Ordering example: SIC - 38/17 - GV

Assembly:



Application SIC:

to secure and prevent
HALFEN Bolts
back-turning
during assembly.

ACCESSORIES

Threaded rods, Hexagonal head bolts, Coupler sleeves, Ring nuts

GWS

Threaded rods
DIN 976-1

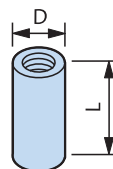


GV	A4	Length	F _{Rd}	allow. F
Galvanized F.k. 4.6 Thread	Stainless steel A4 Thread	[mm]	① [kN]	[kN]
M6	M6	1000	3.1	2.2
M8	M8	1000	5.6	4.0
M10	M10	1000	9.0	6.4
M12	M12	1000	13.0	9.3
M16	M16	1000	24.2	17.3
M20	M20	1000	37.8	27.0
M24	-	1000	54.3	38.8

Ordering example: **GWS - M12 × 1000 - GV**

VBM

Coupler sleeves,
round

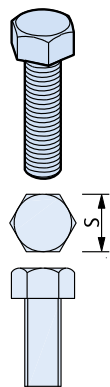


GV	A4	D	L	F _{Rd}	allow. F
Galvanized Thread	Stainless steel Thread	[mm]	[mm]	① [kN]	[kN]
M6	M6	10/10	15	3.1	2.2
M8	M8	12/14	20	5.6	4.0
M10	M10	13/16	25	9.0	6.4
M12	M12	16/20	30	13.0	9.3
M16	M16	21/25	40	24.2	17.3
M20	M20	26/32	50	37.8	27.0

Ordering example: **VBM - A4 - M16**

HSK

Hexagonal head
bolts
EN ISO 4017/
DIN 933
(without nut)

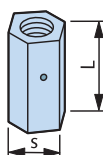


Hex bolts are used
in combination with
HALFEN Locking
plates

GV 8.8	A4	S	S
Galvanized FK 8.8 Dimensions	Stainless steel Dimensions	DIN [mm]	EN ISO [mm]
M 6 × 12	-	10	10
M 6 × 25	-	13	13
M 8 × 25	M 8 × 25	13	13
M 8 × 40	-	17	16
M 10 × 20	-	17	16
M 10 × 30	M 10 × 30	17	16
M 10 × 45	M 10 × 45	17	16
M 10 × 60	-	19	18
M 10 × 70	-	19	18
M 12 × 22	-	19	18
M 12 × 25	M 12 × 25	19	18
M 12 × 30	M 12 × 30	19	18
M 12 × 40	M 12 × 40	19	18
M 12 × 50	-	24	24
M 12 × 60	M 12 × 60	24	24
M 12 × 80	M 12 × 80	24	24
M 12 × 90	-	24	24
M 16 × 40	M 16 × 40	24	24
M 16 × 60	M 16 × 60	24	24
M 16 × 90	M 16 × 90	24	24

SKM

Hexagonal coupler sleeves with
view holes

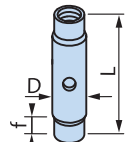


FV	A4	S	L	F _{Rd}	allow. F
Hot-dip galvanized Thread	Stainless steel Thread	[mm]	[mm]	① [kN]	[kN]
M10	M10	13	40	9.0	6.4
M12	M12	17	40	13.0	9.3
M16	M16	22	50	24.2	17.3

Ordering example: **SKM - FV - M12**

SPH

Turnbuckles
with right-
and left-hand
thread



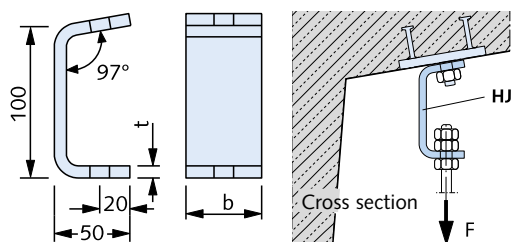
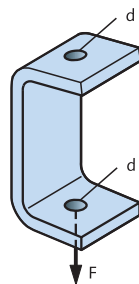
f = min. screw
depth
M12 ≅ 10mm
M16 ≅ 13 mm

A4	A4	D	D
Stainless steel Thread M12 × Length L [mm]	Stainless steel Thread M16 × Length L [mm]	For M12 [mm]	For M16 [mm]
M 12 × 60	M 16 × 60	16	22
M 12 × 75	M 16 × 75	16	22
M 12 × 95	M 16 × 95	16	22
M 12 × 115	M 16 × 115	16	22
M 12 × 135	M 16 × 135	16	22
allow. F = 5 kN F _{Rd} = 7 kN	allow. F = 10 kN F _{Rd} = 14 kN		

Ordering example: **SPH - A4 - M12 x 75**

HJV

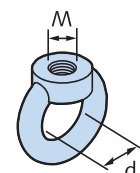
Adjustment
coupler



FV	A4	t	b	d	max. F _{Ed}	allow. F
Hot-dip galvanized Type	Stainless steel Type	[mm]	[mm]	[mm]	[kN]	[kN]
1	1	6	40	13	2.1	1.5
2	2	8	50	17	4.6	3.3
3	3	10	50	17	7.0	5

RM

Ring nut
DIN 582
from 2010-09



GV	d	F _{Rd}	allow. F
C 15E, galvanized Thread	[mm]	① [kN]	[kN]
M8	20	2.0	1.4
M10	25	3.2	2.3
M12	30	4.8	3.4
M16	35	9.8	7.0
M20	40	16.8	12.0

Ordering example: **RM - GV - M12**

- ① Recommended design value of the load capacity with a centric tensile stress
② Recommended design value of the load

ACCESSORIES

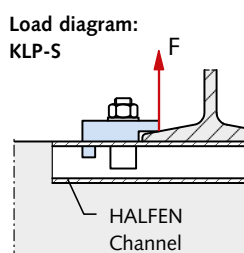
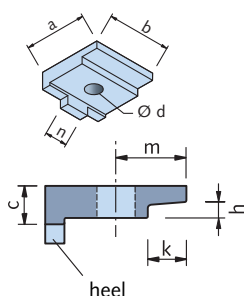
Rail Clips

KLP-S Rail clips, steel 1.0038 forged

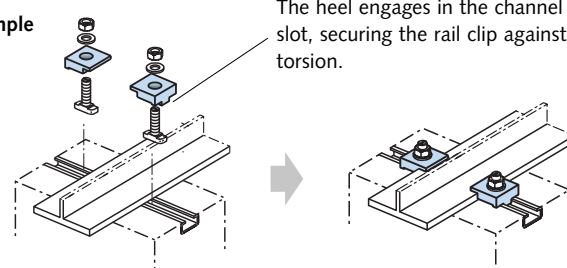
FV hot-dip galvanized Type	Heel width n [mm]	for HALFEN Bolts Ø × l [mm]	Dimensions [mm]							Allowable load at σ allowable = 125 N/mm ² F [kN]	Standard profile I	Preferred for use with	
			a	b	c	Ø d	h	k	m			other beam, flange thickness channels t [mm]	channels
No. 10	16	M16 × 60	44.0	45	12	18	5	12.0	22.0	3.5	80-140	4-6	S24
No. 26	without heel	M16 × 60	62.5	64	21	18	9	16.5	34.5	3.5	160-240	7-9	S24, A45, A55
No. 20	20	M20 × 65	52.0	55	19	□ 21	8	15.0	24.0	10.0	160-240	7-9	S24-S49

Ordering example: KLP - S - Nr. 26 - FV

□ = square opening



Assembly example
KLP-S



The heel engages in the channel slot, securing the rail clip against torsion.

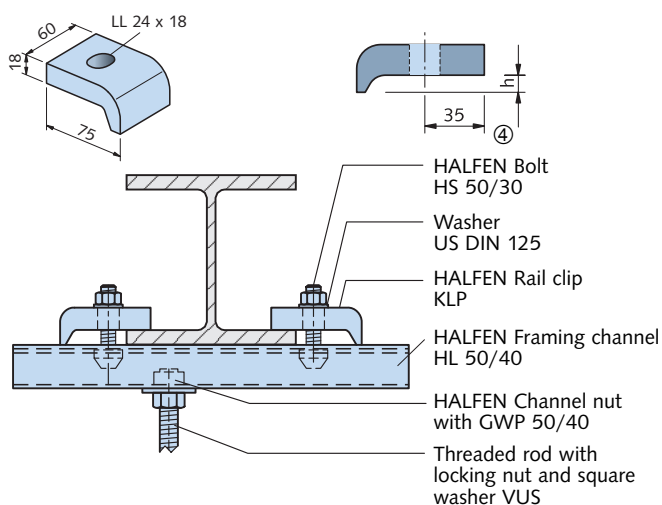
KLP - 60 Rail clips

FV Hot-dip galvanized	Clamping height h [mm]	Allowable load [®] [kN]	Preferred for use with		
			Standard profile I	Standard profile IPB	Crane and running tracks [®]
60/10	10	F ₁ = 7.0 HALFEN Bolt M16 × 60, Grade 4.6	120-160	100	A65, S33, S41
60/12	12		220-240	140	A100, S49, A75
60/14	14		240-280	160-180	A120, S54
60/16	16	F ₂ = 11.25 HALFEN Bolt M16 × 60, Grade 8.8	300-340	200-220	S64
60/18	18 [®]		360-380	240-260	-
60/20	20 [®]		400-450	280-300	-

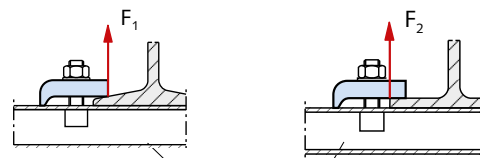
® Take the load capacity of HALFEN Channels into account (Cantilever must be considered when selecting the HALFEN Channels and bolts)

® Bolt M16 × 80 necessary ④ Check flange thickness of profile!

Order example: KLP - 60/10 - FV

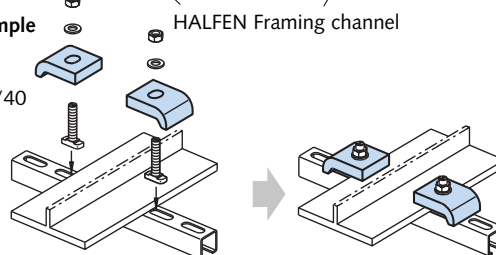


Load diagram
KLP - 60



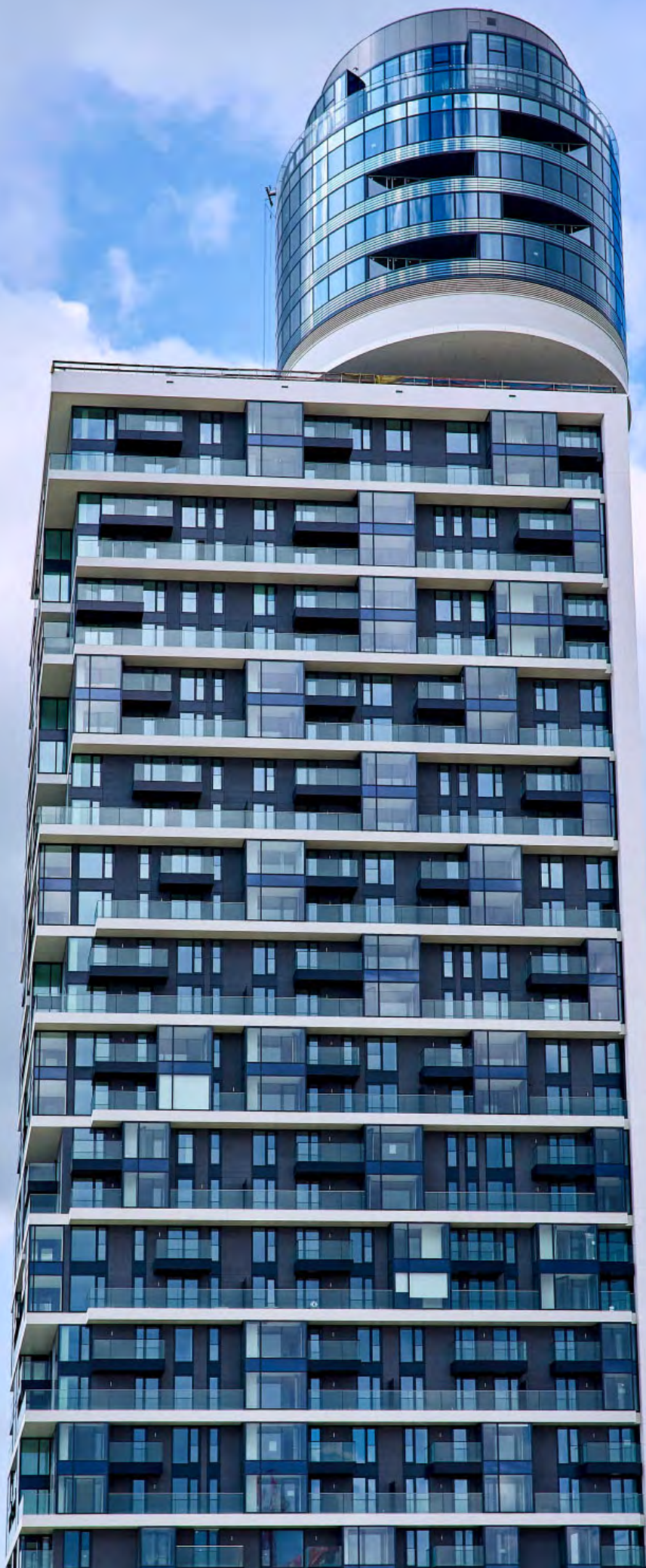
Assembly example
KLP - 60

e.g. HL 50/40



Index

Accessories	88–91	HZL Framing channels, slotted	59–61
Adjustment coupler HJV	90	HZM Framing channels, serrated	59–61
BL, BLQ brick tie anchor	66–68	HZS Halfen Bolts, serrated	31–32
Brick tie anchor ML, BL	66–68	Locking washer SIC	89
Brick tie channel HMS	66	ML, MLQ Brick tie anchor	62–64
Cold-rolled channels HTA-CE	19	Nuts MU	89
Cold-rolled channels HZA	29	Precast connection HVL	73
Corner guard HKW	74	Profiled metal sheet fixing channel HTU	52–58
Corrosion protection Halfen Channels and bolts	9–10	Profiles HM, HL	59–61
Coupler sleeves VBM, SKM	90	Profiles, serrated, HZM, HZL	59–61
Curved HALFEN Cast-in channels HTA-CS	26	Rafter shoe HSF	64
Curved HALFEN Cast-in channels HZA	30	Rail clips KLP	91
Dowels	69	Restraint tie HKZ	71–72
DYNAGRIP® HALFEN Cast-in channels	27–33	Restraint tie, serrated HKZ	71–72
Dynamic Loads for HTA-CE Cast-in channels	25	Restraint with turnbuckle SPV	70
End anchor ANK-E for Halfen HTA Channels	34	Ring nuts RM	90
Firewall connection (masonry)	68	Serrated channels HZA (Anchoring systems)	27–33
Framing channels HM, HZM, HL, HZL	59–61	Serrated channels HZM, HZL (Industrial)	59–61
Halfen Bolts HS	22–23	Serrated profiles HZA	27–33
Halfen Bolts HSR	24	Serrated profiles, bolts	27–33
Halfen Bolts HZS	32	Short lengths of Halfen HTA-CE Channels	26
HALFEN Cast-in channels; corner elements	34	Short lengths of Halfen HZA Channels	30
Handrail connection systems HGB	38–51	SIC Locking washer	89
HCW Curtain Wall System	75–87	SKM Coupler sleeve	90
Hexagonal coupler SKM	90	Slotted framing channels HL, HZL	59–61
Hexagonal nuts - bolts	89–90	SPH turnbuckle with right and left-hand threads	90
HGB Handrail connection systems	38–51	SPV Restraint with turnbuckle	70
HKW Corner guard	74	Square washers VUS	89
HKZ Restraint tie, serrated	71–72	Standard lengths for Halfen Channels HTA-CE	26
HL Framing channels, slotted	59–61	Standard lengths for Halfen Channels HZA	30
HM Framing channels	59–61	Threaded rods	90
HMS Brick tie channels	66	Tightening torques HALFEN HS Bolts	23
HNA Timber fixing straps	65	Tightening torques HALFEN HZS Bolts serrated	32
Hot-rolled channels HTA-CE	18	Timber fixing	60–61
Hot-rolled channels HZA	29	Turnbuckle with right and left-hand thread SPH	90
HS Halfen Bolts	22–23	US Washer	89
HSF Rafter shoe	64	VBM Coupler sleeve	90
HSR Halfen Bolts with nib	24	VUS Washer	89
HTA-CE HALFEN Cast-in Channels	16–26	Washer US, VUS	89
HTU Profiled metal sheets fixing channels	52–58		
HVL Precast connection	73		
HZA Halfen Cast-in channel DYNAGRIP	27–33		
HZA Halfen Cast-in channel, serrated	27–33		





Leviat[®]
A CRH COMPANY

Innovative engineered products and construction solutions that allow the industry to build safer, stronger and faster.



Worldwide contacts for Leviat:

Australia

Leviat
98 Kurrajong Avenue,
Mount Druitt, Sydney, NSW 2770
Tel: +61 - 2 8808 3100
Email: info.au@leviat.com

Austria

Leviat
Leonard-Bernstein-Str. 10
Saturn Tower, 1220 Wien
Tel: +43 - 1 - 259 6770
Email: info.at@leviat.com

Belgium

Leviat
Borkelstraat 131
2900 Schoten
Tel: +32 - 3 - 658 07 20
Email: info.be@leviat.com

China

Leviat
Room 601 Tower D, Vantone Centre
No. A6 Chao Yang Men Wai Street
Chaoyang District
Beijing · P.R. China 100020
Tel: +86 - 10 5907 3200
Email: info.cn@leviat.com

Czech Republic

Leviat
Business Center Šafránková
Šafránková 1238/1
155 00 Praha 5
Tel: +420 - 311 - 690 060
Email: info.cz@leviat.com

Finland

Leviat
Vädursgatan 5
412 50 Göteborg / Sweden
Tel: +358 (0)10 6338781
Email: info.fi@leviat.com

France

Leviat
18, rue Goubet
75019 Paris
Tel: +33 - 1 - 44 52 31 00
Email: info.fr@leviat.com

Germany

Leviat
Liebigstrasse 14
40764 Langenfeld
Tel: +49 - 2173 - 970 - 0
Email: info.de@leviat.com

India

Leviat
309, 3rd Floor, Orion Business Park
Ghodbunder Road, Kapurbawdi,
Thane West, Thane,
Maharashtra 400607
Tel: +91 - 22 2589 2032
Email: info.in@leviat.com

Italy

Leviat
Via F.lli Bronzetti 28
24124 Bergamo
Tel: +39 - 035 - 0760711
Email: info.it@leviat.com

Malaysia

Leviat
28 Jalan Anggerik Mokara 31/59
Kota Kemuning, 40460 Shah Alam
Selangor
Tel: +603 - 5122 4182
Email: info.my@leviat.com

Netherlands

Leviat
Oostermaat 3
7623 CS Borne
Tel: +31 - 74 - 267 14 49
Email: info.nl@leviat.com

New Zealand

Leviat
2/19 Nuttall Drive, Hillsborough,
Christchurch 8022
Tel: +64 - 3 376 5205
Email: info.nz@leviat.com

Norway

Leviat
Vestre Svanholmen 5
4313 Sandnes
Tel: +47 - 51 82 34 00
Email: info.no@leviat.com

Philippines

Leviat
2933 Regus, Joy Nostalg,
ADB Avenue
Ortigas Center
Pasig City
Tel: +63 - 2 7957 6381
Email: info.ph@leviat.com

Poland

Leviat
Ul. Obornicka 287
60-691 Poznań
Tel: +48 - 61 - 622 14 14
Email: info.pl@leviat.com

Singapore

Leviat
14 Benoi Crescent
Singapore 629977
Tel: +65 - 6266 6802
Email: info.sg@leviat.com

Spain

Leviat
Poligono Industrial Santa Ana
c/ Ignacio Zuloaga, 20
28522 Rivas-Vaciamadrid
Tel: +34 - 91 632 18 40
Email: info.es@leviat.com

Sweden

Leviat
Vädursgatan 5
412 50 Göteborg
Tel: +46 - 31 - 98 58 00
Email: info.se@leviat.com

Switzerland

Leviat
Hertistrasse 25
8304 Wallisellen
Tel: +41 - 44 - 849 78 78
Email: info.ch@leviat.com

United Kingdom

Leviat
A1/A2 Portland Close
Houghton Regis LU5 5AW
Tel: +44 - 1582 - 470 300
Email: info.uk@leviat.com

USA / Canada

Leviat
6467 S Falkenburg Rd.
Riverview, FL 33578
Tel: (800) 423-9140
Email: info.us@leviat.us

For countries not listed

Email: info@leviat.com

Leviat.com

For information on certified management systems and standards see www.ancon.co.uk | www.aschwanden.com | www.halfen.com

Notes regarding this catalogue

© Protected by copyright. The construction applications and details provided in this publication are indicative only. In every case, project working details should be entrusted to appropriately qualified and experienced persons. Whilst every care has been exercised in the preparation of this publication to ensure that any advice, recommendations or information is accurate, no liability or responsibility of any kind is accepted by Leviat for inaccuracies or printing errors. Technical and design changes are reserved. With a policy of continuous product development, Leviat reserves the right to modify product design and specification at any time.

