



# Hall Lanterns & Position Indicators

1-800-328-7840  
[www.unitecparts.com](http://www.unitecparts.com)

## Notes About This Catalog Section

### Terminology, Sizing Standards, and Use

- The primary measurements shown for parts are based upon their design drawings.
- Most measurements are provided in both Imperial units (for the United States) and metric units (for Canada, Mexico, etc.). If only one form of a measurement is provided, assume Imperial units (generally inches) unless otherwise stated.
- Most Imperial measurements are rounded to the nearest tenth or hundredth of an inch and most metric measurements are rounded to the nearest millimeter.
- The term “vintage” refers to the period of time in which the original equipment was manufactured. If installation records are not available, the vintage of a component may be determined from a vintage tag affixed to the component. Shown below are two types of vintage tags used on Otis equipment over the years.

14	R-AAA24179A
----	-------------

14	6161R	
Y	VINTAGE	Y 01
REV	EN	

# Table of Contents

**Notes About This Catalog Section ..... 1**

**Hall Position Indicators ..... 3**

- Hall Panel Instrument, Multi-Light: Type AAA25250B ..... 3
- Hall Position Indicator, Advanced Raised Assembly: Type 7069AN ..... 4
- Hall Position Indicator, Multi-Light, Square Fixtures: Type 6651F ..... 5
- Hall Position Indicator, with LED Jewel Module: Type AAA23600A ..... 6
- Hall Position Indicator: Types AAA6646AAA and 6646EF ..... 7
- Landing Fixture Hall Position Assembly, with Flat Display: Type AAA23600X ..... 8
- Landing Fixture Hall Position Assembly, with Flat Slim Display:  
Type AAA23600AB ..... 10
- Landing Fixture Hall Position Assembly, with Large Flat Display:  
Type AAA23600Y ..... 11

**Hall Lanterns ..... 12**

- Advanced Hall Lantern and Position Indicator: Type 6646EG ..... 12
- Advanced Hall Lanterns for 30-Volt Applications ..... 13
  - w/o Remote Station (with Faceplate): Type 6646EE ..... 13
  - w/o Remote Station, Intermediate Landing: Type 6646EB ..... 14
  - w/o Remote Station, Terminal Landing: Type 6646DY ..... 15
- Hall Lantern Assembly: Type AAA23550L ..... 16
- Hall Lantern (with Faceplate): Type AAA6646AAD ..... 17
- Hall Lanterns for Modular Control ..... 19
  - Hall Lantern and Position Indicator (with Remote Station):  
Type AAA6646AAE ..... 19
  - Hall Lantern, Intermediate Landing (with Remote Station):  
Type AAA6646AAC ..... 20
  - Hall Lantern, Terminal Landing (with Remote Station):  
Type AAA6646AAB ..... 21
  - Hall Lantern and Hall Station Indicators:  
Type AAA6646EZ ..... 22
- Hall Lantern: Type 6646DS ..... 24
- Hall Lantern, Slim Series 5 Fixture: Type AAA23550T ..... 26
- Hall Lanterns and Hall Position Indicators: Type 6646CY ⇔ AAA6646FA ..... 27
- Hall Position Indicator Assembly: Type AAA23600P ..... 32
- Landing Fixture—In-Car Lantern Assembly: Type AAA23550U ..... 33
- Pictorial Catalog: Faceplates ..... 34
  - Spare Parts ..... 49
- Index Listing: Faceplates ..... 50

# Hall Position Indicators

## Hall Panel Instrument, Multi-Light: Type AAA25250B

Part Number	Description
174GV3	Cable Assembly
AAA147NX10-__*	Faceplate
424R3	Lamp, 6.3 V (used w/PC Board AAA26800PB2)
424R2	Lamp, 14 V (used w/PC Board AAA26800PB1)
424R1	Lamp, 28 V (used w/PC Board 8200JA1)
---	Lens, Type 443CB
---	Mask, Type 449BJ
A396JN1	Panel, Housing
AAA26800PB2	PC Board, 6 V Application
AAA26800PB1	PC Board, 12 V Application
8200JA1	PC Board, 30 V Application
GFA23550D10	PC Board, RS5
174DD11	Wire, Ground



A396JN1

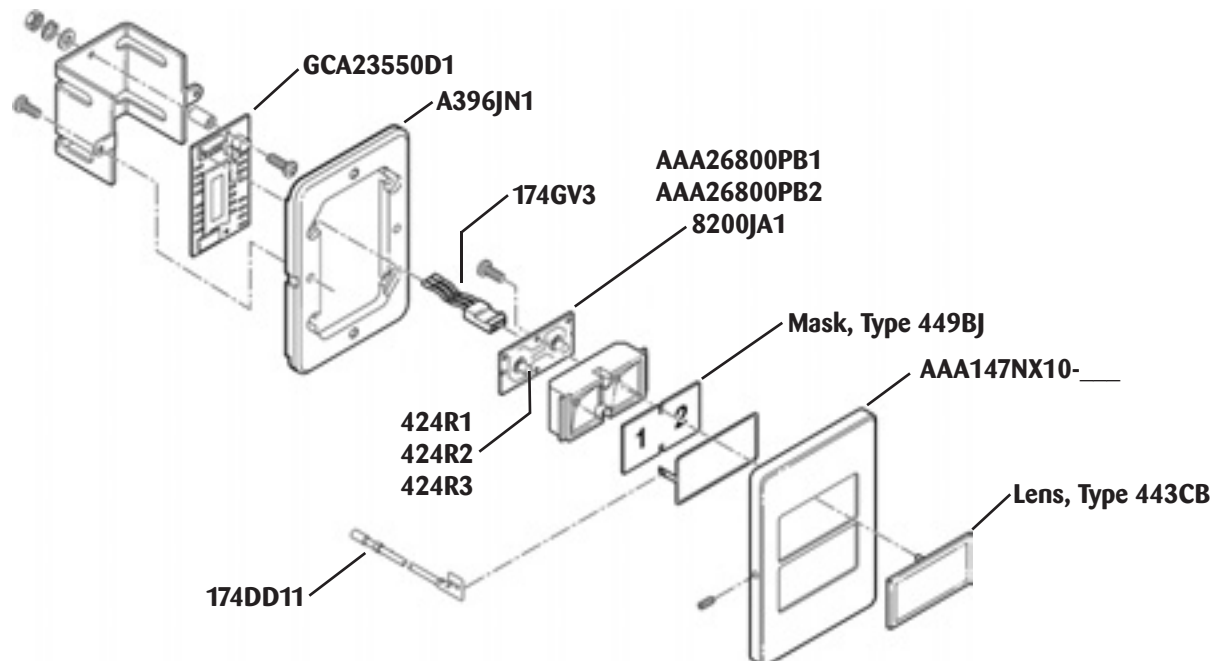
\* Add material/finish designation:

BR7 = Brushed Brass

BR8 = Mirror Brass

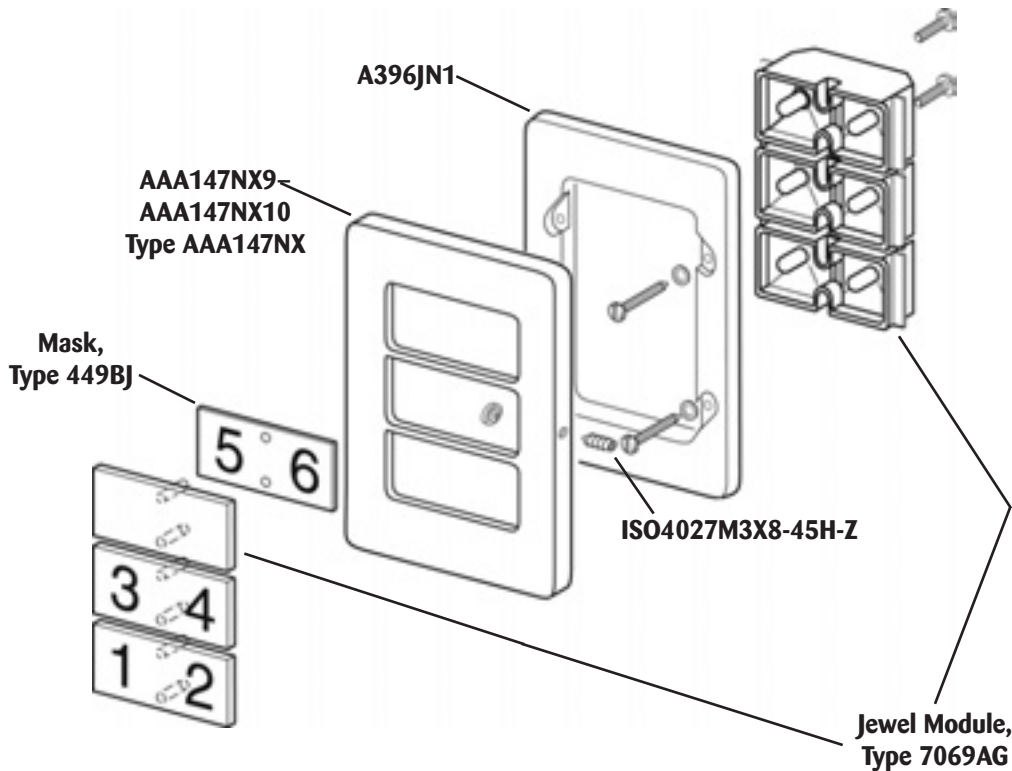
SS4 = Brushed Stainless Steel

SS8 = Mirror Stainless Steel



## Hall Position Indicator, Advanced Raised Assembly: Type 7069AN

Part Number	Description
---	Faceplate, Type AAA147NX-
AAA147NX9-BR7	Faceplate, 1-Module, Bronze, w/ screws
AAA147NX9-SS4	Faceplate, 1-Module, Stainless Steel, w/ screws
AAA147NX10-BR7	Faceplate, 2-Module, Bronze, w/ screws
AAA147NX10-SS4	Faceplate, 2-Module, Stainless Steel, w/ screws
AAA147NX11-BR7	Faceplate, 3-Module, Bronze, w/ screws
AAA147NX11-SS4	Faceplate, 3-Module, Stainless Steel, w/ screws
A396JN1	Housing, Faceplate
---	Jewel Module, Type 7069AG
---	Mask, Type 449BJ
ISO4027M3X8-45H-Z	Screw, Cone Point Set, M3 x 8 mm



## Hall Position Indicator, Multi-Light, Square Fixtures: Type 6651F

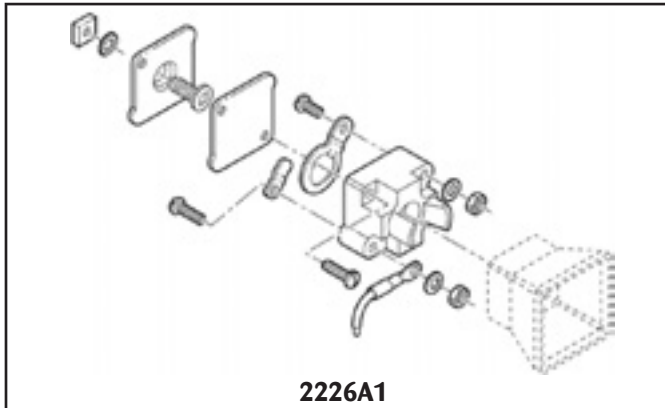
Part Number	Description
6644A2	Assembly, Lamp Receptacle. For individual connection.
2226A1	Assembly, Lamp Receptacle. For individual connection. Includes fastenings. Consists of: 1 lamp receptacle assembly (p/n 6644A2), 1 insulating barrier, 1 plate, and hardware
6644A3	Assembly, Lamp Receptacle. For single bus bar connection.
2226A2	Assembly, Lamp Receptacle. For single bus bar connection. Includes Fastenings. Consists of: 1 lamp receptacle assembly (p/n 6644A3), 1 rivet, 1 insulating barrier, 1 plate, and hardware



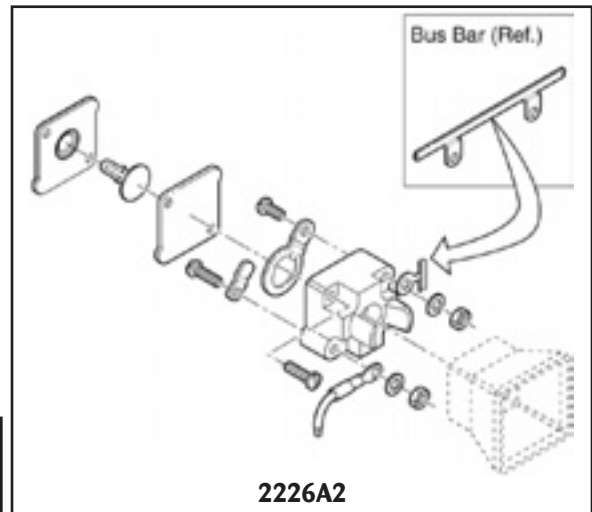
Type 6651F: 499AE round jeweled fixture



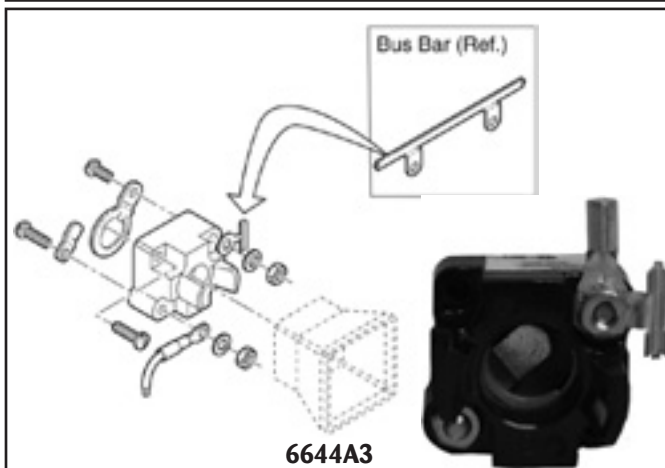
Type 6651F: 499AD square jeweled fixture



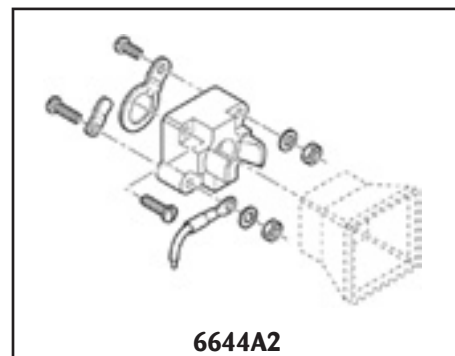
2226A1



2226A2



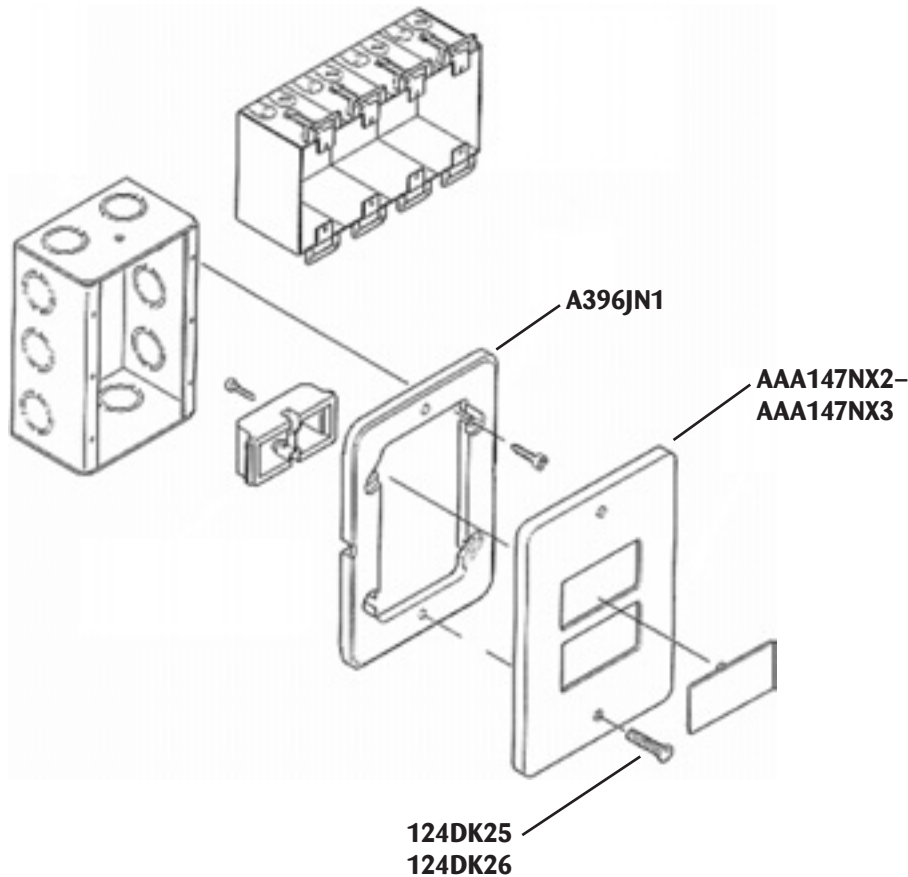
6644A3



6644A2

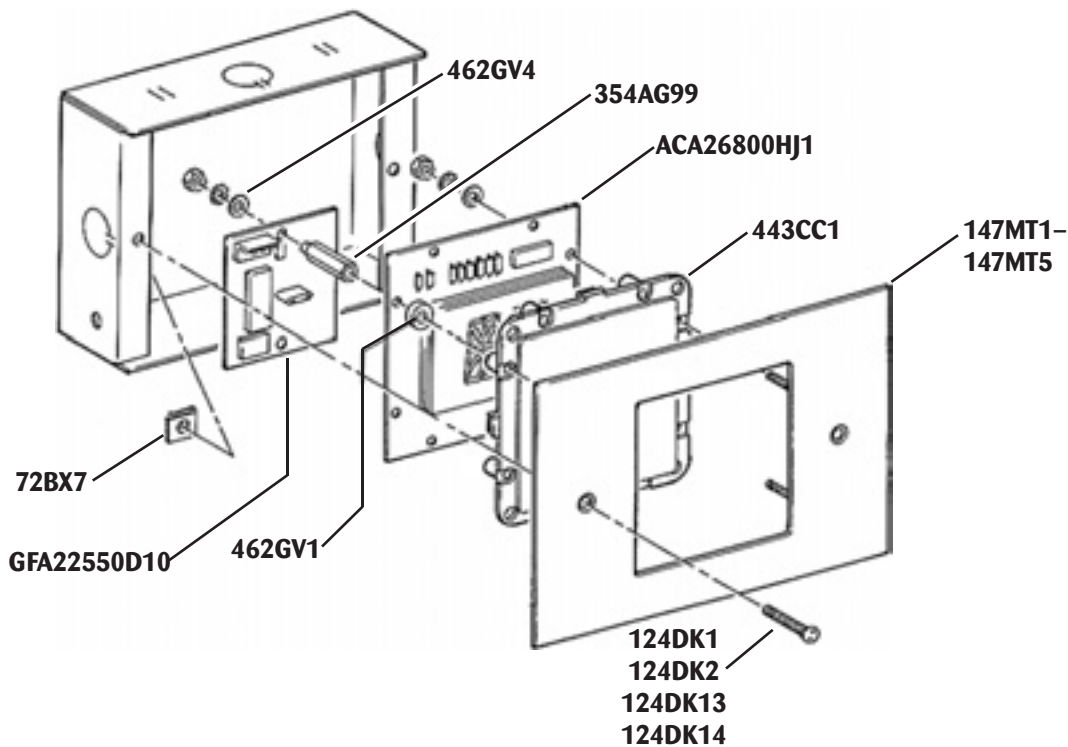
## Hall Position Indicator, with LED Jewel Module: Type AAA23600A

Part Number	Description
AAA147NX2-BR7	Faceplate, 1-Module, Bronze
AAA147NX2-MF4	Faceplate, 1-Module, Stainless Steel
AAA147NX3-BR7	Faceplate, 2-Module, Bronze
AAA147NX3-MF4	Faceplate, 2-Module, Stainless Steel
A396JN1	Housing Panel w/Insert
124DK26	Screw, Spanner Head, M3.5, 15 mm L, Bronze
124DK25	Screw, Spanner Head, M3.5, 15 mm L, Stainless Steel



## Hall Position Indicator: Types AAA6646AAA and 6646EF

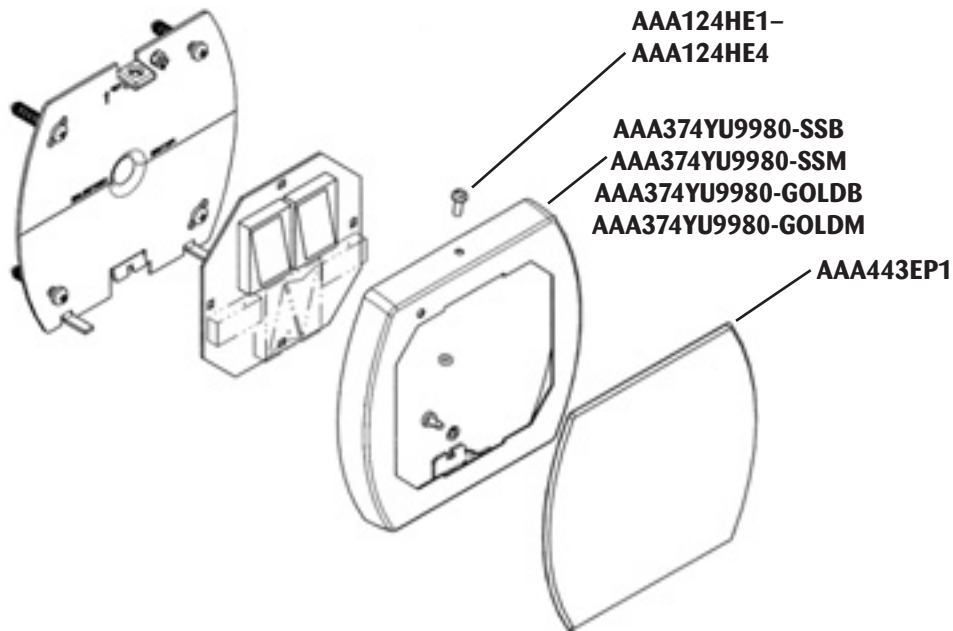
Part Number		Description
AAA6646AAA	6646EF	
72BX7	72BX7	Clip
354AG99	---	Distance Piece
147MT2	147MT2	Faceplate, Brass, Brushed Finish
147MT4	147MT4	Faceplate, Brass, Mirror Finish
147MT1	147MT1	Faceplate, Stainless Steel, Brushed Finish
147MT5	147MT5	Faceplate, Stainless Steel, Mill 4 Finish
147MT3	147MT3	Faceplate, Stainless Steel, Mirror Finish
443CC1	443CC1	Lens
ACA26800HJ1	ACA26800HJ1	PC Board, Position Indicator
GFA23550D10	---	PC Board, Remote Station - 5
124DK2	124DK2	Screw, Spanner Head, Brass, Brushed Finish
124DK1	124DK1	Screw, Spanner Head, Brass, Mirror Finish
124DK14	124DK14	Screw, Spanner Head, Brass, Mirror Finish
124DK13	124DK13	Screw, Spanner Head, Stainless Steel, Mirror Finish
462GV1	462GV1	Spacer
462GV4	462GV4	Spacer





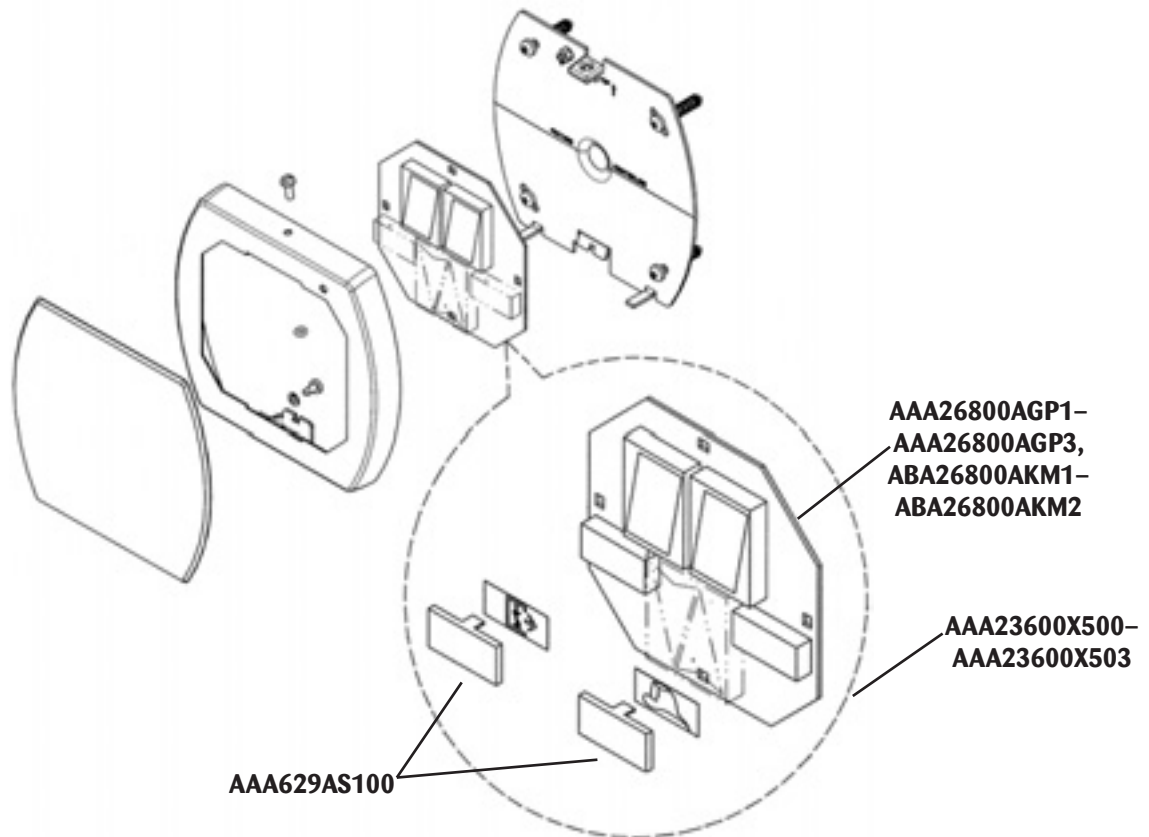
## Landing Fixture Hall Position Assembly, with Flat Display: Type AAA23600X

Part Number	Description
AAA175ABY1	Conductor (Not Shown)
AAA374YU998-GOLDB	Frame, Brass, Brushed
AAA374YU998-GOLDM	Frame, Brass, Mirror
AAA374YU998-SSB	Frame, Stainless Steel, Brushed
AAA374YU998-SSM	Frame, Stainless Steel, Mirror
AAA443EP1	Lens
AAA124HE2	Screw, Tamperproof, M4, Brass, Brushed (GOLDB)
AAA124HE4	Screw, Tamperproof, M4, Brass, Mirror (GOLDM)
AAA124HE1	Screw, Tamperproof, M4, Stainless Steel, Brushed (SSB)
AAA124HE3	Screw, Tamperproof, M4, Stainless Steel, Mirror (SSM)



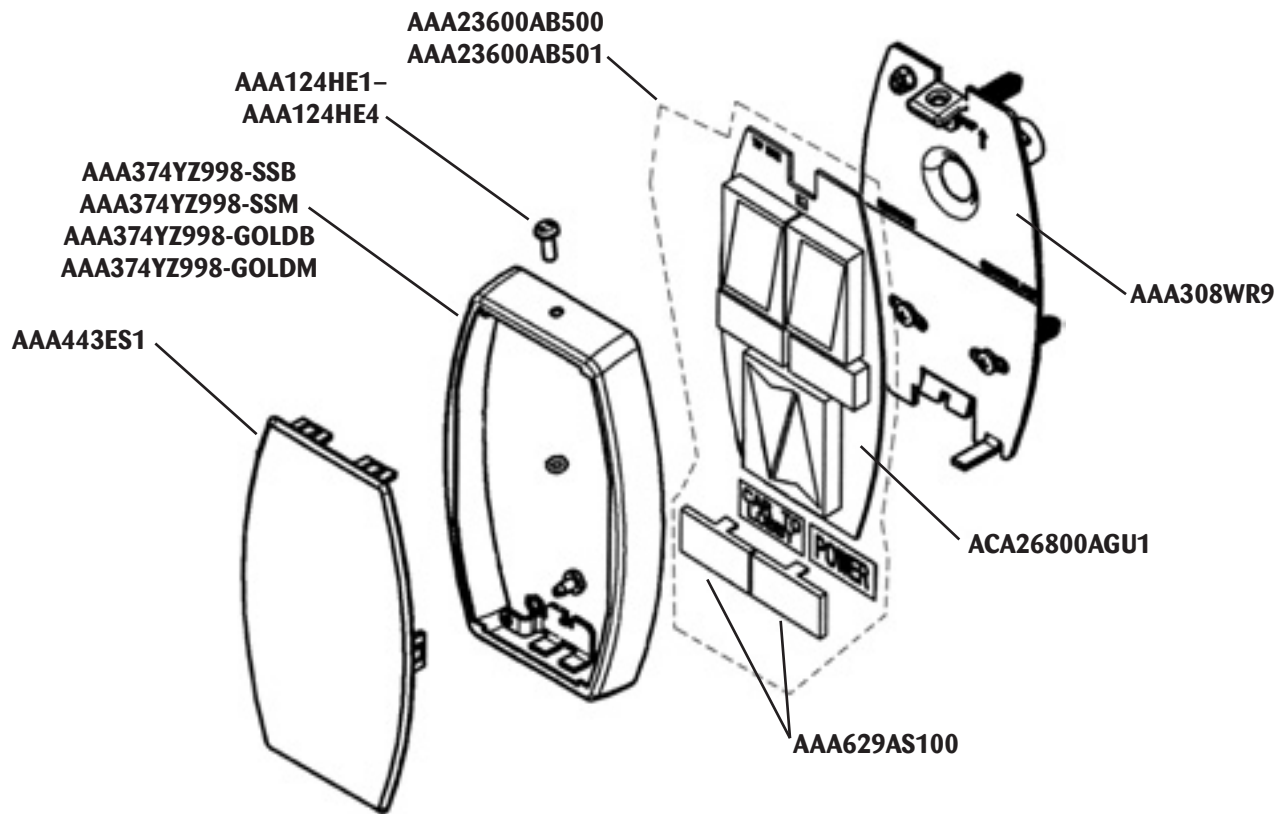
# Hall Lanterns & Position Indicators

Part Number	Description
AAA629AS100	Cover, OPTO Device
ABA26800AKM1	PC Board, Discrete. Includes: Landing Passing Tone, Position Indicators, and Jewels
ABA26800AKM2	PC Board, Discrete. Includes: Position Indicators PC Board.
AAA26800AGP1	Includes: Direction Arrows, Landing Passing Tone, Position Indicators, and Jewels NOTE: Part is obsolete. Call UNITEC for additional information.
AAA26800AGP2	PC Board. Includes: Landing Passing Tone, Position Indicators, and Jewels
AAA26800AGP3	PC Board. Includes: Position Indicators
AAA23600X501	PCB, Discrete p/n AAA26800AKM2, with "Fire Hat" and "Please Exit" Symbol Masks and a Cover, French
AAA23600X503	PCB, Discrete p/n ABA26800AKM1, with "Fire Hat" and "Please Exit" Symbol Masks and a Cover, French
AAA23600X500	PCB, RSL p/n AAA26800AGP1, with "Fire Hat" and "Please Exit" Symbol Masks and a Cover, English
AAA23600X502	PCB, RSL p/n AAA26800AGP2, with "Fire Hat" and "Please Exit" Symbol Masks and a Cover, English



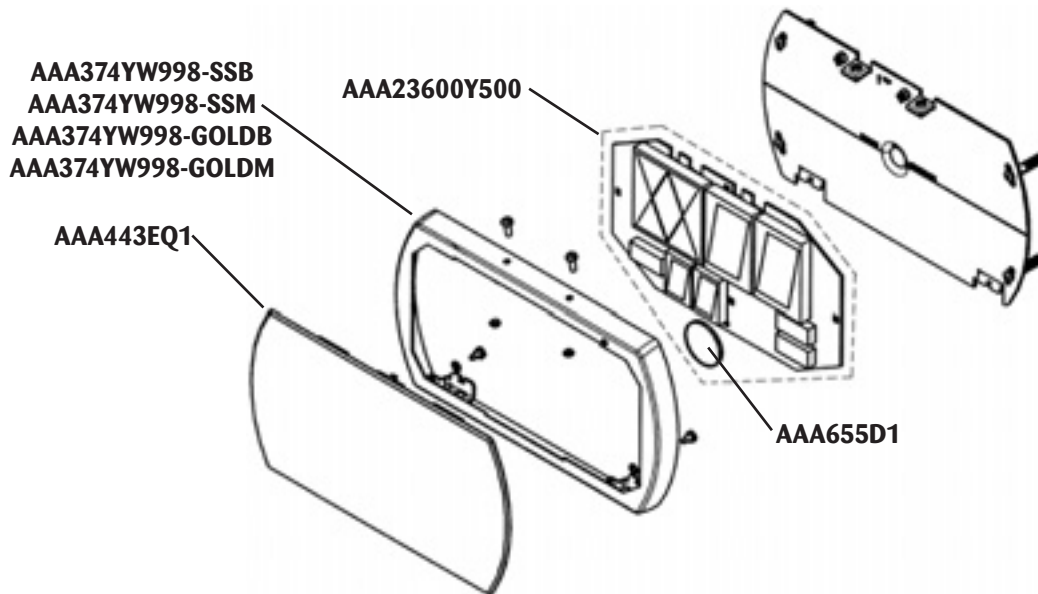
## Landing Fixture Hall Position Assembly, with Flat Slim Display: Type AAA23600AB

Part Number	Description
AAA308WR9	Box
AAA175ABY1	Conductor (Not Shown)
AAA629AS100	Cover, OPTO Device
AAA374YZ998-GOLDB	Frame, Bronze, Brushed
AAA374YZ998-GOLDM	Frame, Bronze, Mirror
AAA374YZ998-SSB	Frame, Stainless Steel, Brushed
AAA374YZ998-SSM	Frame, Stainless Steel, Mirror
AAA443ES1	Lens
ACA26800AGU1	PC Board
AAA23600AB500	PC Board, RSL, with "Power" and "Car to Lobby" Masks, and Lenses, English
AAA23600AB501	PC Board, RSL, with "Power" and "Car to Lobby" Masks, and Lenses, French
AAA124HE2	Screw, M4, Tamper Proof, Bronze, Brushed (GOLDB)
AAA124HE4	Screw, M4, Tamper Proof, Bronze, Mirror (GOLDM)
AAA124HE1	Screw, M4, Tamper Proof, Stainless Steel, Brushed (SSB)
AAA124HE3	Screw, M4, Tamper Proof, Stainless Steel, Mirror (SSM)



## Landing Fixture Hall Position Assembly, with Large Flat Display: Type AAA23600Y

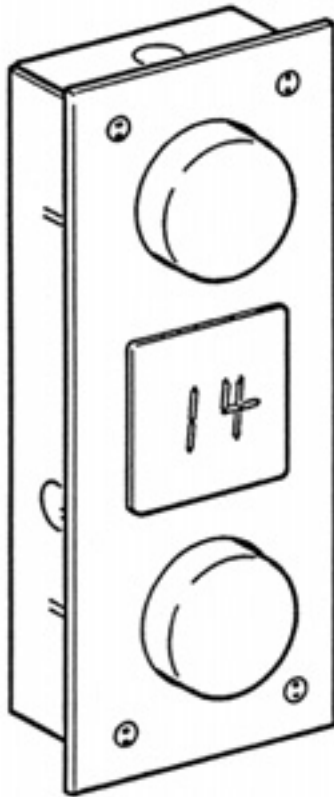
Part Number	Description
AAA175ABY4	Conductor
AAA374YW998-GOLDB	Frame, Bronze, Brushed
AAA374YW998-GOLDM	Frame, Bronze, Mirror
AAA374YW998-SSB	Frame, Stainless Steel, Brushed
AAA374YW998-SSM	Frame, Stainless Steel, Mirror
AAA443EQ1	Lens
AAA23600Y500	PC Board, RSL, Including "Next Stop" Mask, Lens, Tape, and Transducer
AAA124HE2	Screw, M4, Tamper Proof, Bronze, Brushed (GOLDB)
AAA124HE4	Screw, M4, Tamper Proof, Bronze, Mirror (GOLDM)
AAA124HE1	Screw, M4, Tamper Proof, Stainless Steel, Brushed (SSB)
AAA124HE3	Screw, M4, Tamper Proof, Stainless Steel, Mirror (SSM)
AAA297BK2	Tape, Adhesive
AAA655D1	Transducer, Communications (w/o AAA297BK2 adhesive tape)



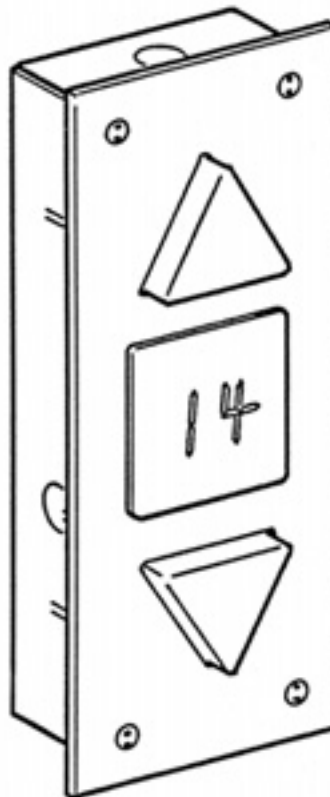
## Hall Lanterns

### Advanced Hall Lantern and Position Indicator: Type 6646EG

**NOTE:** Please call UNITEC for more information and parts availability.



Faceplate Type 147MV  
Round Lens p/n 449BA1

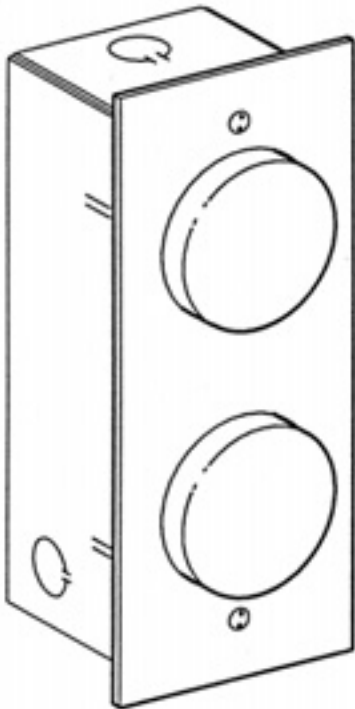


Faceplate Type 147MV  
Triangular Lens p/n A449AS1

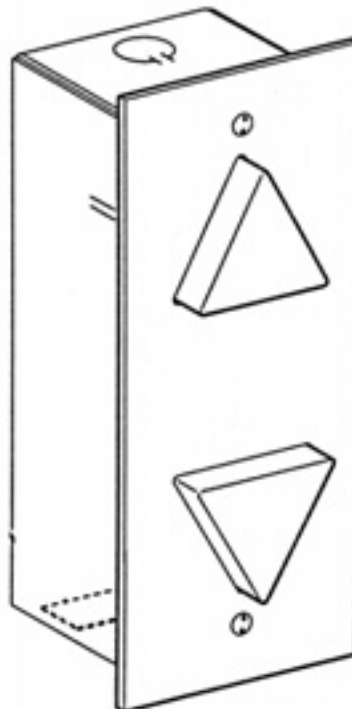
## Advanced Hall Lanterns for 30-Volt Applications

w/o Remote Station (with Faceplate): Type 6646EE

**NOTE:** Please call UNITEC for more information and parts availability.



Faceplate Type 147LT  
Round Lens p/n A449BA1

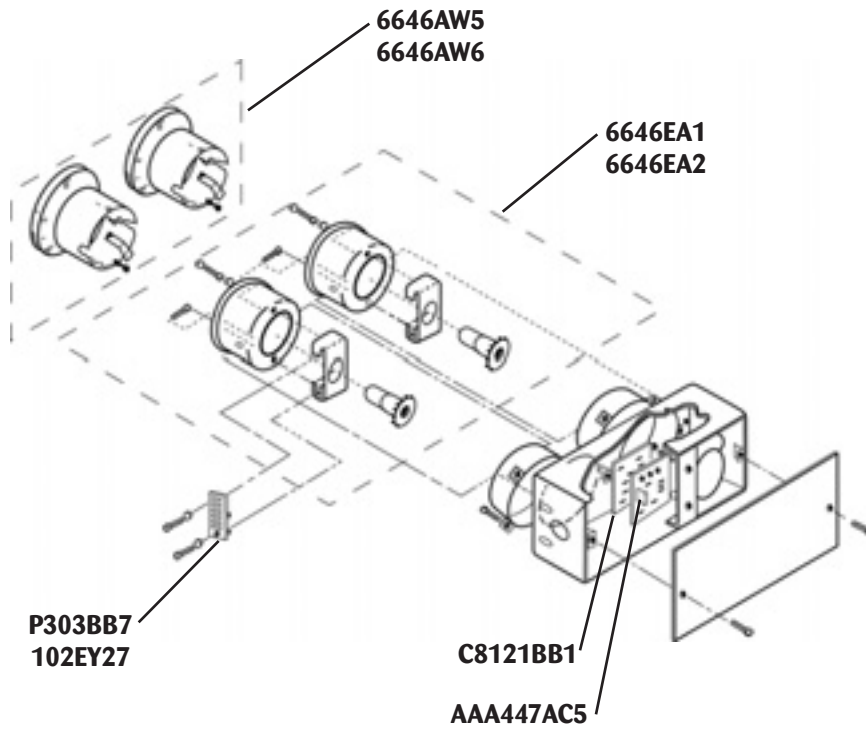


Faceplate Type 147LT  
Triangular Lens p/n A449AS1

# Hall Lanterns & Position Indicators

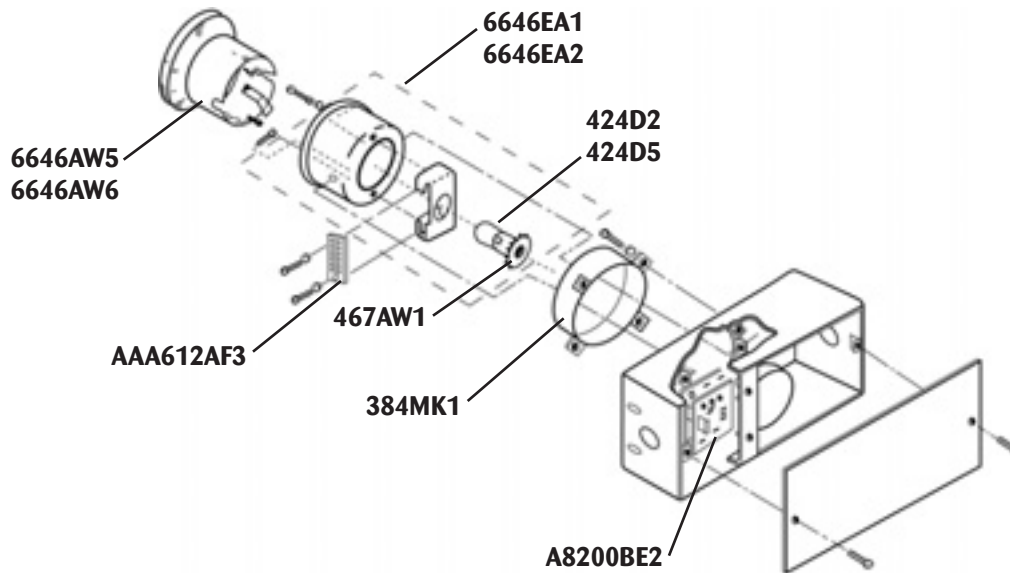
## w/o Remote Station, Intermediate Landing: Type 6646EB

Part Number	Description
AAA447AC5	Connector
6646EA2	Lamp Bracket Assembly, Brass Color
6646EA1	Lamp Bracket Assembly, Stainless Steel Color
6646AW5	Lens Assembly, Clear Lens
6646AW6	Lens Assembly, Red Lens
102EY27	Marking Strip, 4" long
C8121BB1	PC Board, Power Buffer
P303BB7	Terminal Block



## w/o Remote Station, Terminal Landing: Type 6646DY

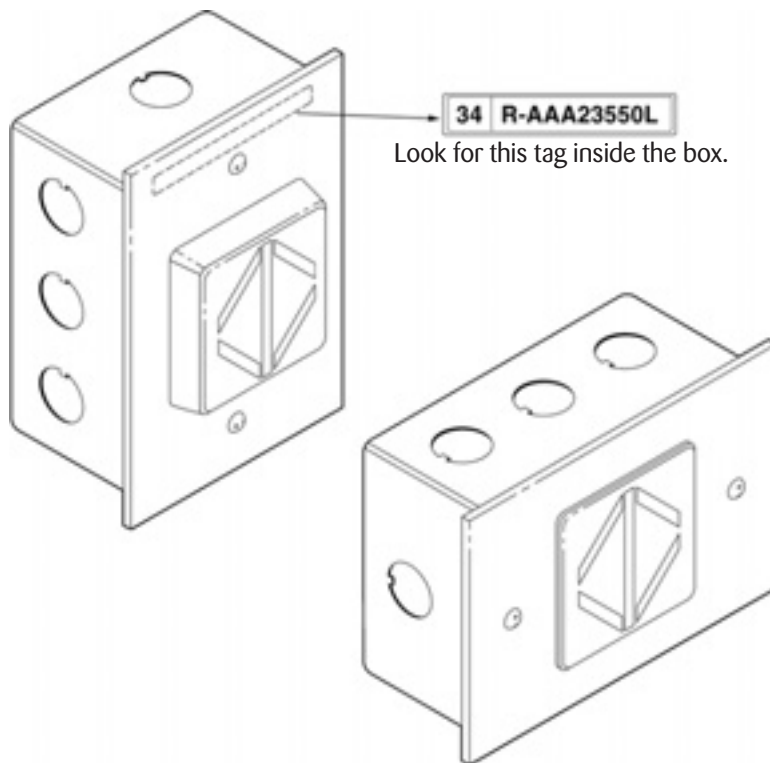
Part Number	Description
AAA612AF3	Diode, with Sleaving
6646EA2	Frame, Stainless Steel Color. With Lamp (28 V) and Bracket
384MK1	Guard
467AW1	Lamp Holder w/12" Wire Leads
424D2	Lamp, 28 V, Bayonet Base
424D5	Lamp, 35 V, For Longer Life but Lower Illumination
6646AW5	Lens, 3-5/8" Dia. w/Clear Filter
6646AW6	Lens, 3-5/8" Dia. w/Red Filter
A8200BE2	PC Board Gong Assembly
6646EA1	Used with Safety Shoe or Detector





## Hall Lantern Assembly: Type AAA23550L

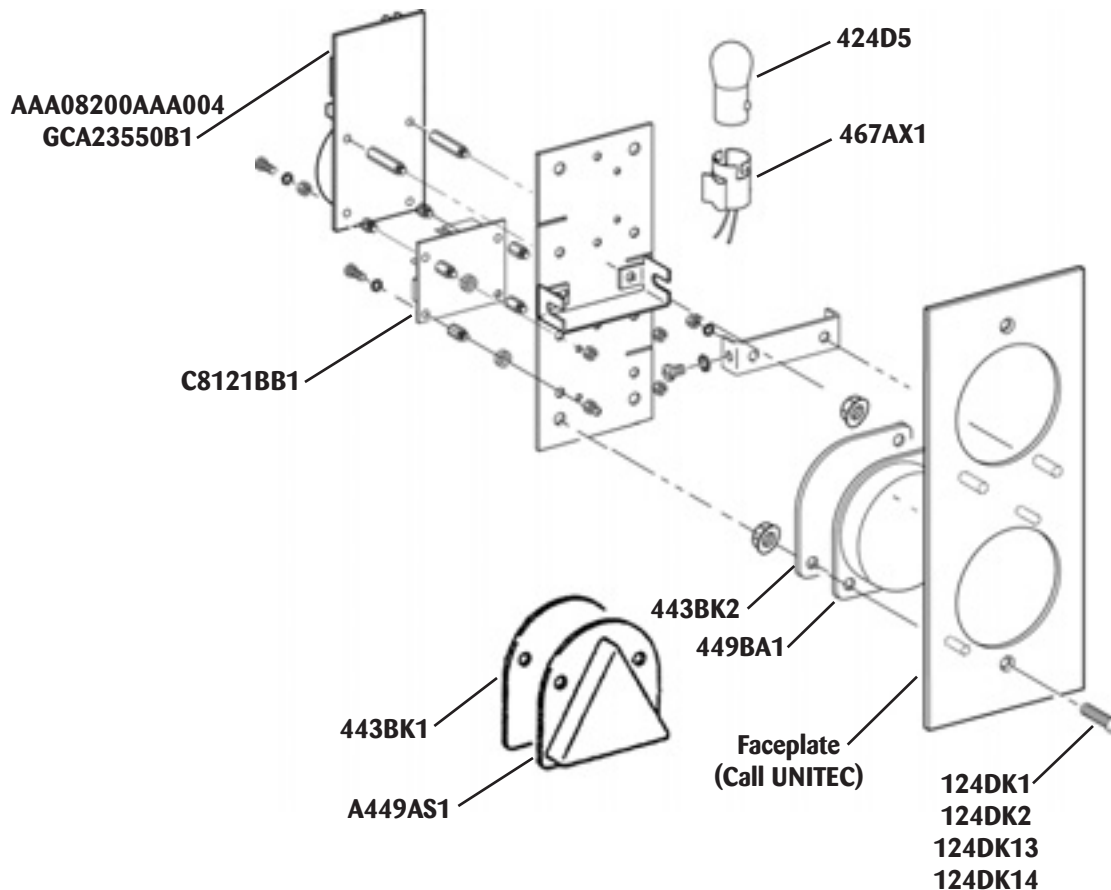
**NOTE:** Please call UNITEC for more information and parts availability.



**Faceplate Type 147MT**  
**Lens p/n AAA443EC3**

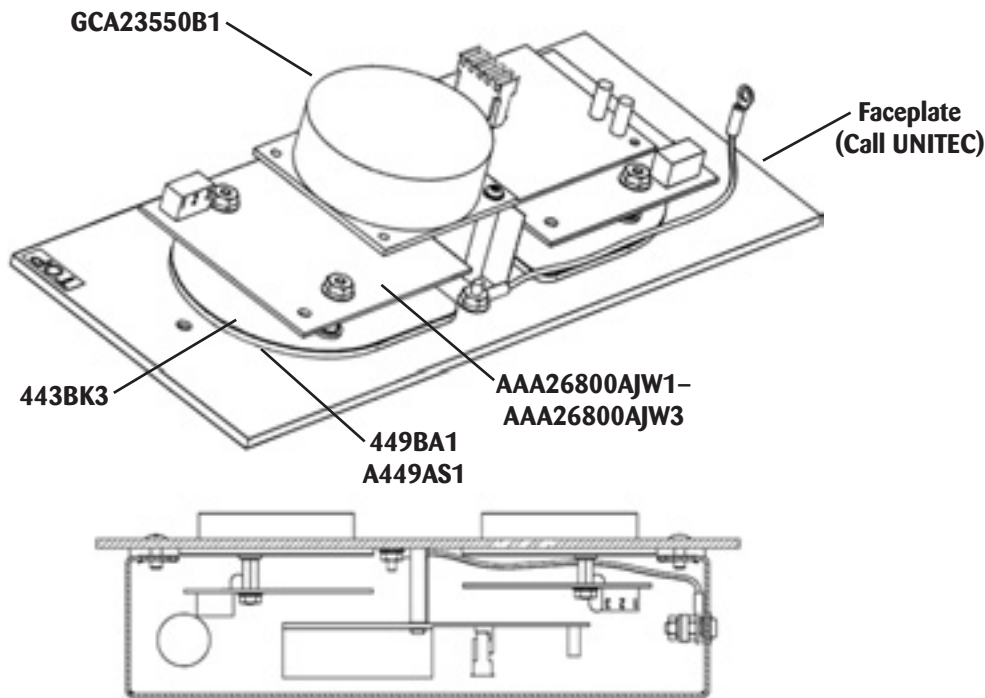
## Hall Lantern (with Faceplate): Type AAA6646AAD

Part Number	Description
AAA08200AAA004	Assembly, PC Board, Gong w/Remote Station 4 and Hall Lantern/ Buffer Board Cable
Call UNITEC	Faceplate
443BK1	Glass (diffuser), Red (for triangular fixtures)
443BK2	Glass (diffuser), Red (for round fixtures)
449BA1	Glass (lens), Round
A449AS1	Glass (lens), Triangular
424D5	Lamp, Incandescent, 35 V, 0.61 A (size: S-8)
GCA23550B1	PC Board, Gong w/Remote Station 4
C8121BB1	PC Board, Lantern Power Buffer
124DK2	Screw, Tamper Resistant, Brass, Brushed Finish
124DK14	Screw, Tamper Resistant, Brass, Mirror Finish
124DK1	Screw, Tamper Resistant, Stainless Steel, Brushed Finish
124DK13	Screw, Tamper Resistant, Stainless Steel, Mirror Finish
467AX1	Socket, Lamp



## Hall Lantern (with Faceplate): Type AAA6646AAD (continued)

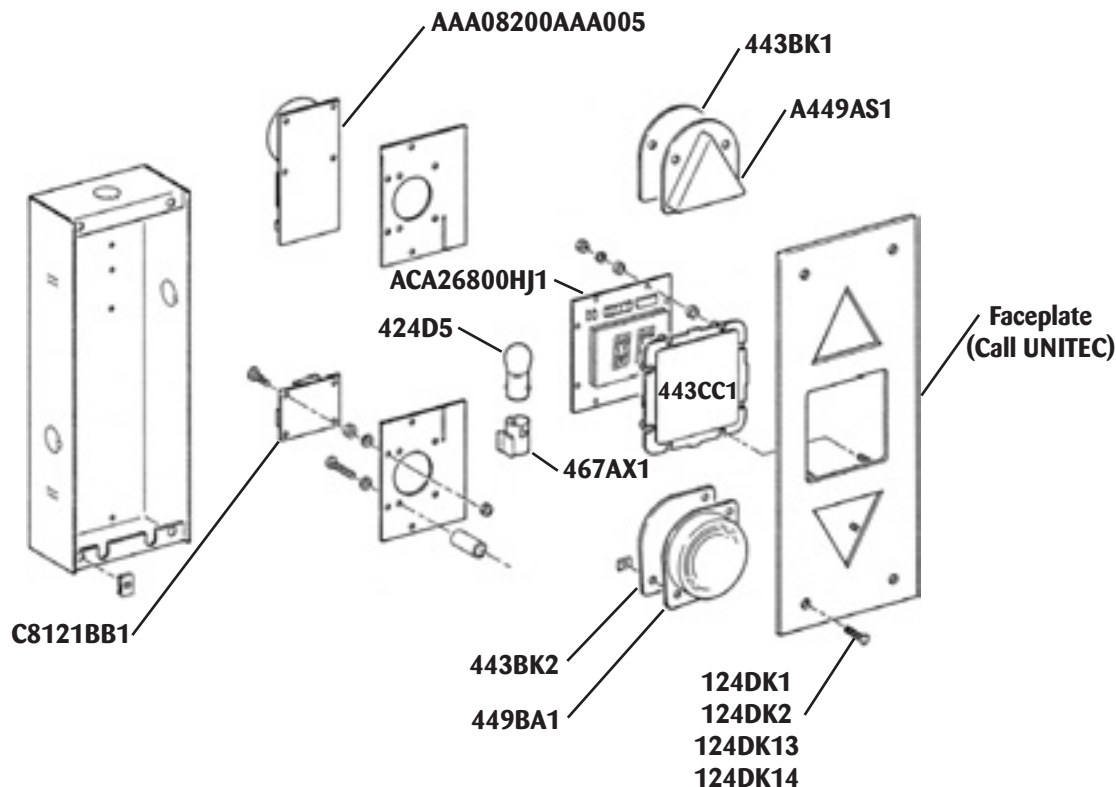
Part Number	Description
Call Unitec	Faceplate, Types AAA147RW and AAA147RX
443BK3	Glass (diffuser), Red (for triangular fixtures only)
449BA1	Glass (lens), Round
A449AS1	Glass (lens), Triangular
GCA23550B1	PC Board, Gong with Remote Station 4
AAA26800AJW2	PC Board, LED, Green Light
AAA26800AJW1	PC Board, LED, Red Light
AAA26800AJW3	PC Board, LED, White Light
124DK2	Screw, Tamper Resistant, Brass, Brushed Finish
124DK14	Screw, Tamper Resistant, Brass, Mirror Finish
124DK1	Screw, Tamper Resistant, Stainless Steel, Brushed Finish
124DK13	Screw, Tamper Resistant, Stainless Steel, Mirror Finish



## Hall Lanterns for Modular Control

### Hall Lantern and Position Indicator (with Remote Station): Type AAA6646AAE

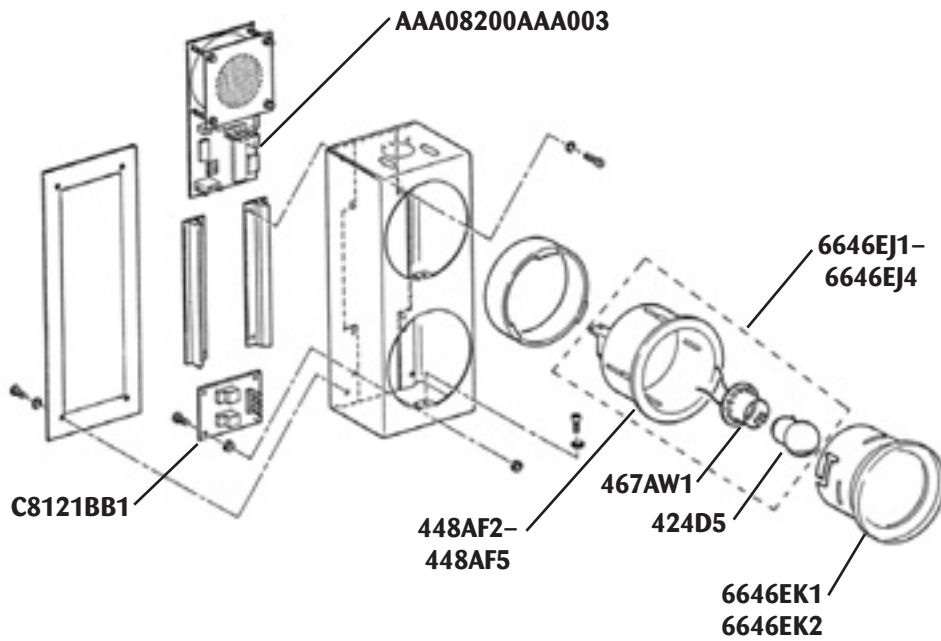
Part Number	Description
Call Unitec	Faceplate, Type 147MV
443BK2	Glass, Red (for Round Shape)
443BK1	Glass, Red (for Triangular Shape)
449BA1	Glass, Round Shape
A449AS1	Glass, Triangular Shape
424D5	Lamp, Incandescent, 35V, 0.61A (S-8)
443CC1	Lens
AAA08200AAA005	PC Board, Gong Assembly
C8121BB1	PC Board, Lantern Power Buffer
ACA26800HJ1	PC Board, Position Indicator
124DK2	Screw, Tamper Resistant, Brass, Brushed Finish
124DK14	Screw, Tamper Resistant, Brass, Mirror Finish
124DK1	Screw, Tamper Resistant, Stainless Steel, Brushed Finish
124DK13	Screw, Tamper Resistant, Stainless Steel, Mirror Finish
467AX1	Socket, Lamp



# Hall Lanterns & Position Indicators

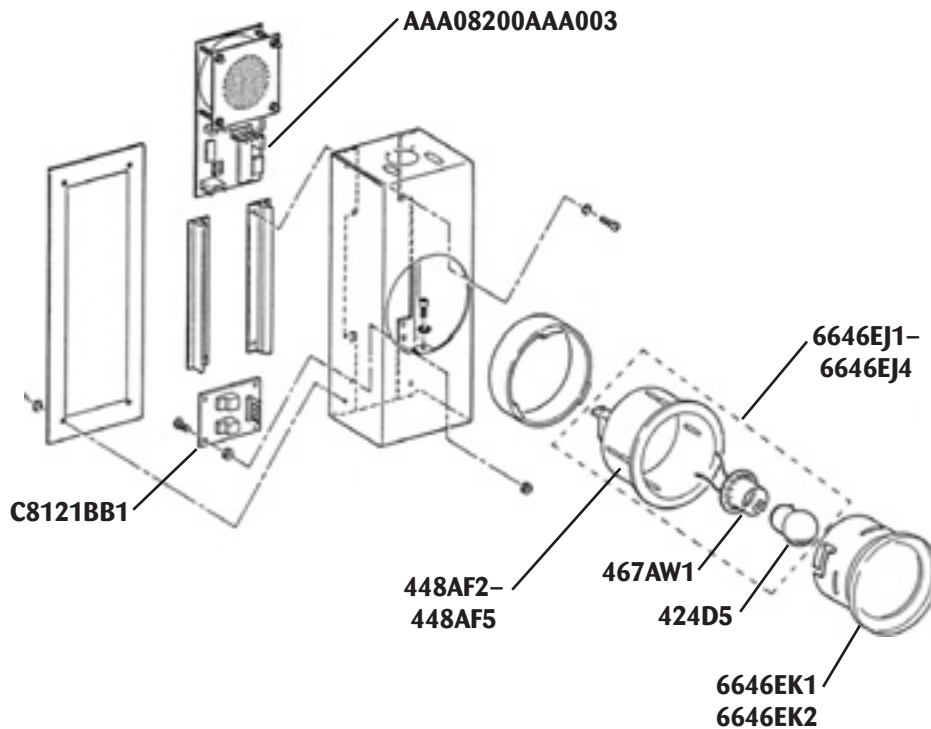
## Hall Lantern, Intermediate Landing (with Remote Station): Type AAA6646AAC

Part Number	Description
6646EJ4	Assembly, Lamp, Brass, Brushed Finish
6646EJ3	Assembly, Lamp, Brass, Mirror Finish
6646EJ2	Assembly, Lamp, Stainless Steel, Brushed Finish
6646EJ1	Assembly, Lamp, Stainless Steel, Mirror Finish
6646EK1	Assembly, Lens, Clear
6646EK2	Assembly, Lens, Red
448AF4	Frame, Bronze, Mirror Finish
448AF5	Frame, Bronze, Satin Finish
448AF2	Frame, Stainless Steel, Mirror Finish
448AF3	Frame, Stainless Steel, Satin Finish
424D5	Lamp, Incandescent, 35V, 0.61A (S-8)
AAA08200AAA003	PC Board, Gong
C8121BB1	PC Board, Lantern Power Buffer
467AW1	Socket, Lamp



**Hall Lantern, Terminal Landing (with Remote Station):  
Type AAA6646AAB**

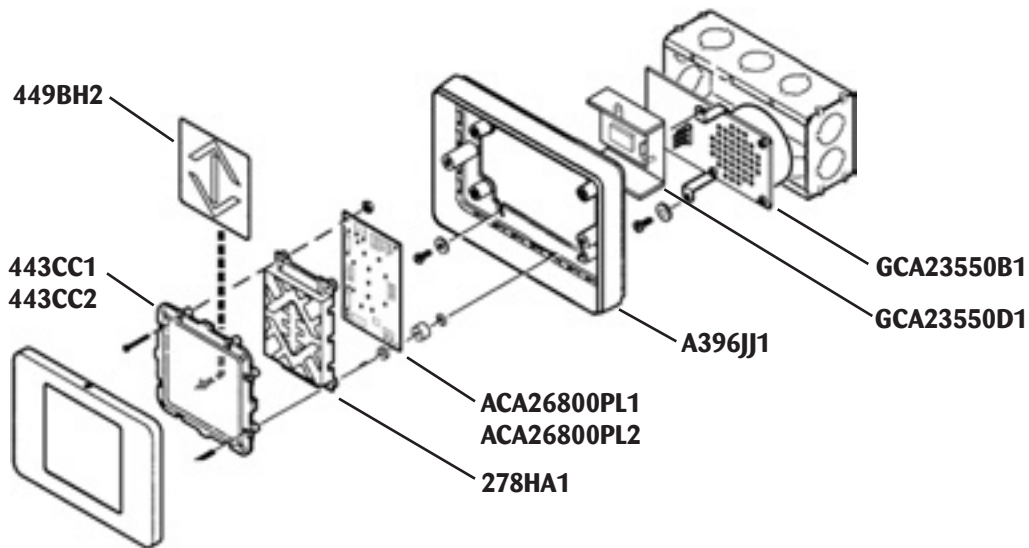
Part Number	Description
6646EJ4	Assembly, Lamp, Brass, Brushed Finish
6646EJ3	Assembly, Lamp, Brass, Mirror Finish
6646EJ2	Assembly, Lamp, Stainless Steel, Brushed Finish
6646EJ1	Assembly, Lamp, Stainless Steel, Mirror Finish
6646EK1	Assembly, Lens, Clear
6646EK2	Assembly, Lens, Red
448AF4	Frame, Bronze, Mirror Finish
448AF5	Frame, Bronze, Satin Finish
448AF2	Frame, Stainless Steel, Mirror Finish
448AF3	Frame, Stainless Steel, Satin Finish
424D5	Lamp, Incandescent, 35V, 0.61A (S-8)
AAA08200AAA003	PC Board, Gong
C8121BB1	PC Board, Lantern Power Buffer
467AW1	Socket, Lamp



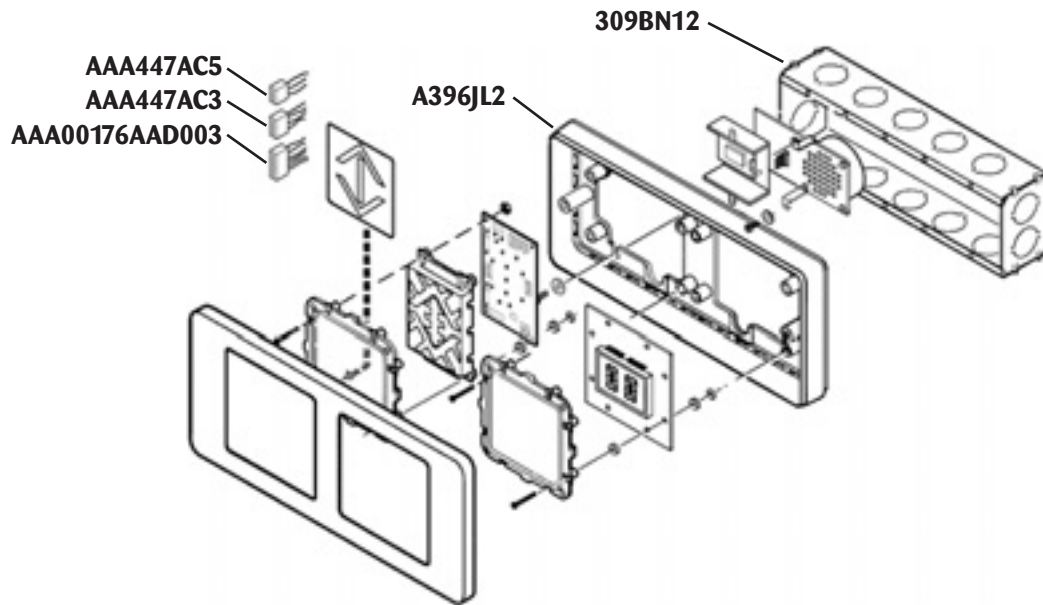
# Hall Lanterns & Position Indicators

## Hall Lantern and Hall Station Indicators: Type AAA6646EZ

Part Number	Description
449BH2	Diffuser-Mask
A396JJ1	Housing
443CC1	Lens, Green
443CC2	Lens, Red
ACA26800PL1	PC Board, Lantern, for Red Filter 443CC2
ACA26800PL2	PC Board, Lantern, for Green Filter 443CC1
GCA23550B1	PC Board, Modular Gong
GFA23550D10	PC Board, Remote-Station 5 (RS5)
278HA1	Reflector



Part Number	Description
309BN12	Box, Electrical, 5-Gang
AAA447AC5	Connector, Feed-Through, 3-Circuit
AAA447AC3	Connector, Feed-Through, 4-Circuit
AAA447AC57	Connector, Feed-Through, 6-Circuit
A396JL2	Housing





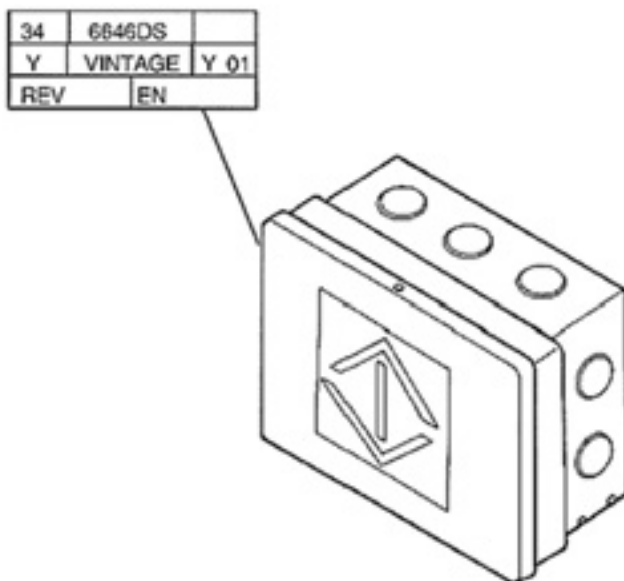
# Hall Lanterns & Position Indicators

## Hall Lantern: Type 6646DS

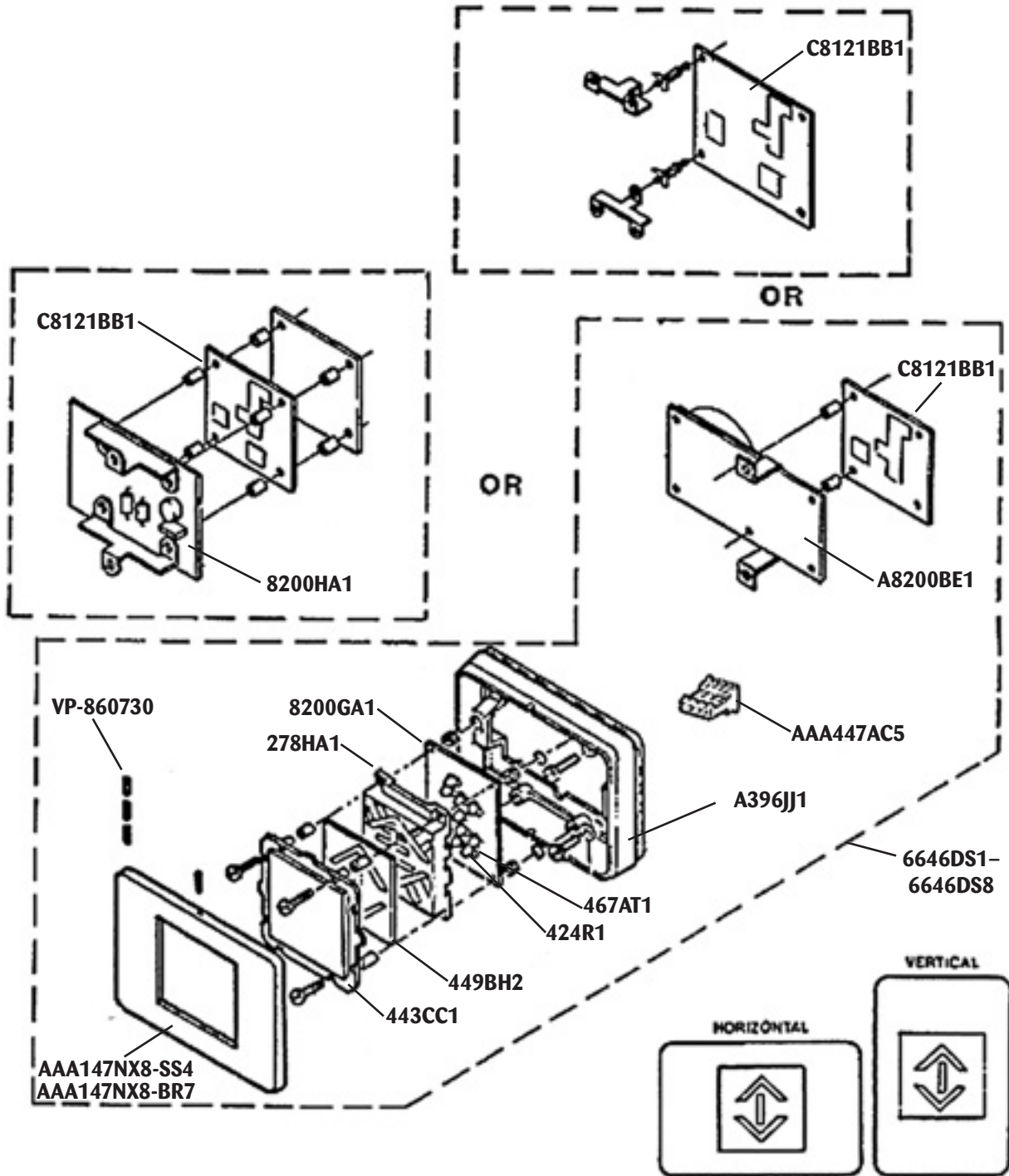
W/O Gong	W/Gong	Description	Mounting	Finish
6646DS5	6646DS1	Hall Lantern	Horizontal	Stainless Steel
6646DS7	6646DS3	Hall Lantern	Horizontal	Bronze
6646DS6	6646DS2	Hall Lantern	Vertical	Stainless Steel
6646DS8	6646DS4	Hall Lantern	Vertical	Bronze

### TYPE

6646DS	A6646DS	Description
P614AS1		Connector, 3-Circuits
449BH2		Diffuser
147SB2		Faceplate, Bronze with Set Screws
147SB1		Faceplate, Stainless Steel with Set Screws
8200HA1	---	Gong PC Board (Original Design)
---	A8200BE1	Gong PC Board (New Design)
A396JJ1		Housing
467AT1		Lamp Socket
424R1		Lamp, 28 V
443CC1		Lens, Green
8200GA1		PC Board, Lantern
278HA1		Reflector
VP-860730		Set Screw, Cone Point
C8121BB1		Switch Module, Semi-Conductor

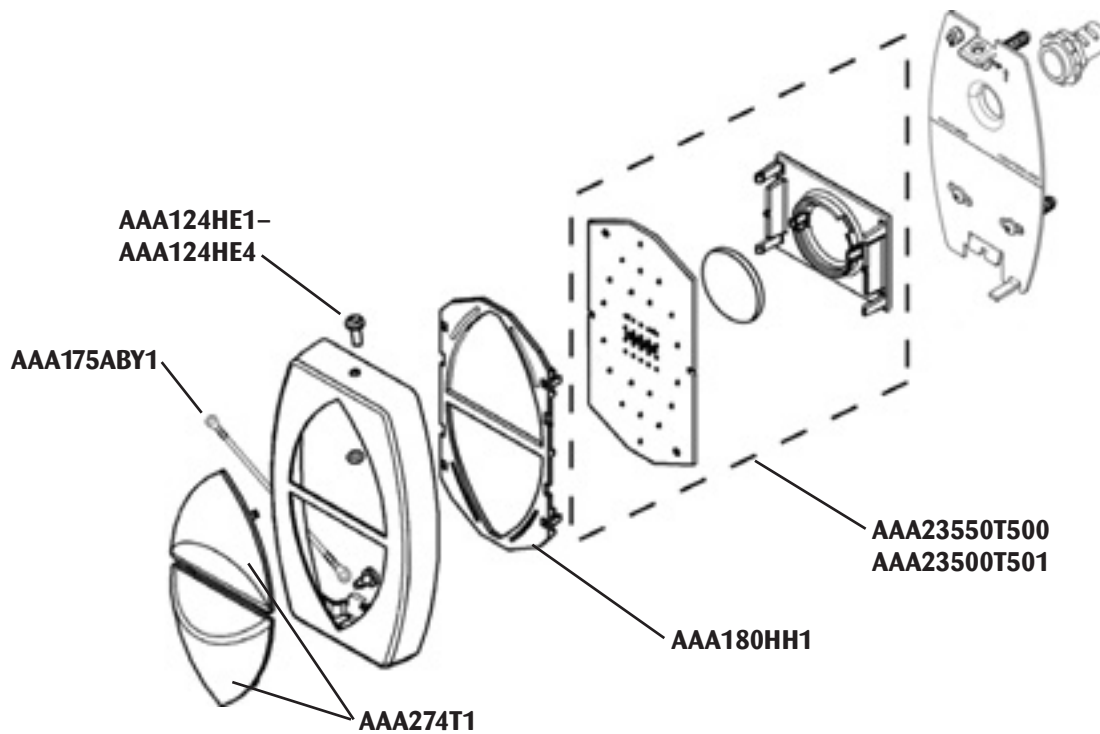


# Hall Lanterns & Position Indicators



## Hall Lantern, Slim Series 5 Fixture: Type AAA23550T

Part Number	Description
AAA175ABY1	Conductor, 14 AWG, 250 mm L (ground)
AAA180HH1	Holder for PC Board
AAA23550T501	Kit, Lantern PC Board, Holder, and Transducer. For discrete communication.
AAA23550T500	Kit, Lantern PC Board, Holder, and Transducer. For RSL communication.
AAA274T1	Lens
AAA124HE2	Screw, Tamperproof, M4, Bronze, Brushed Finish
AAA124HE4	Screw, Tamperproof, M4, Bronze, Mirror Finish
AAA124HE1	Screw, Tamperproof, M4, Stainless Steel, Brushed Finish
AAA124HE3	Screw, Tamperproof, M4, Stainless Steel, Mirror Finish

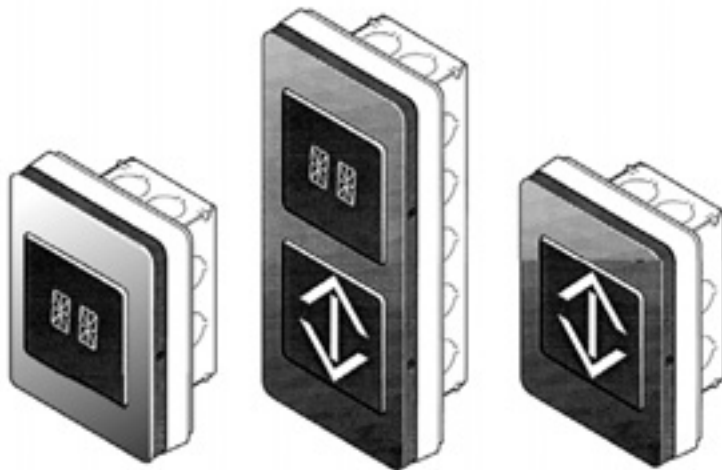


## Hall Lanterns and Hall Position Indicators: Type 6646CY ⇨ AAA6646FA

*Look for component tags like these*

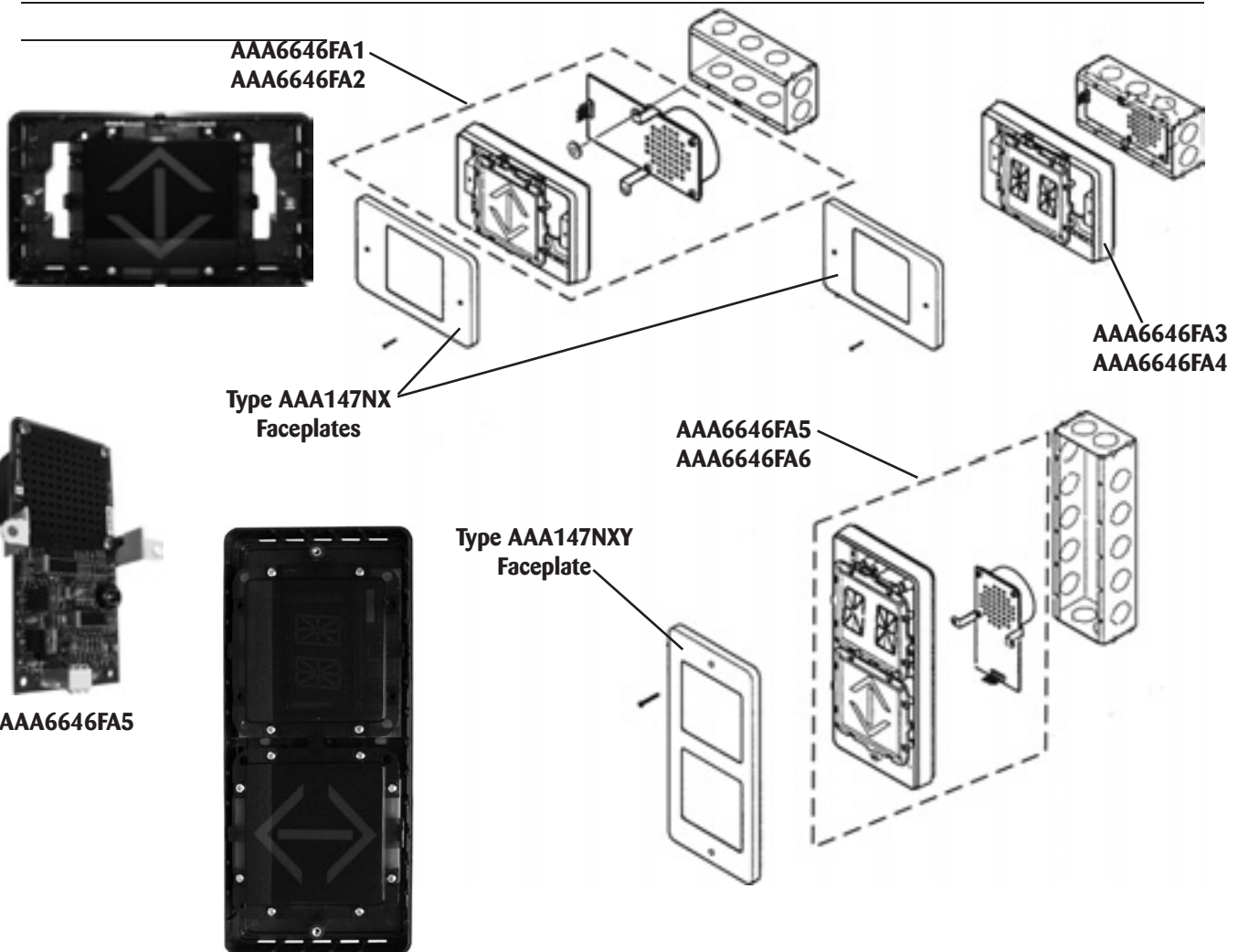
W/O VINTAGE		
34	A6646CY	
	VINTAGE	Y01
34	A6646DS	
	VINTAGE	Y01
34	A6646DT	
	VINTAGE	Y01

34	R - AA*6646ER
34	R - AA*6646ES
34	R - AA*6646EV
34	R - AA*6646EX
34	R - AA*6646EY
34	R - AA*6646FA

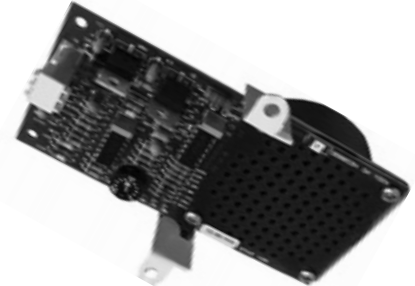


## Hall Lanterns and Hall Position Indicators: Type 6646CY ⇨ AAA6646FA (continued)

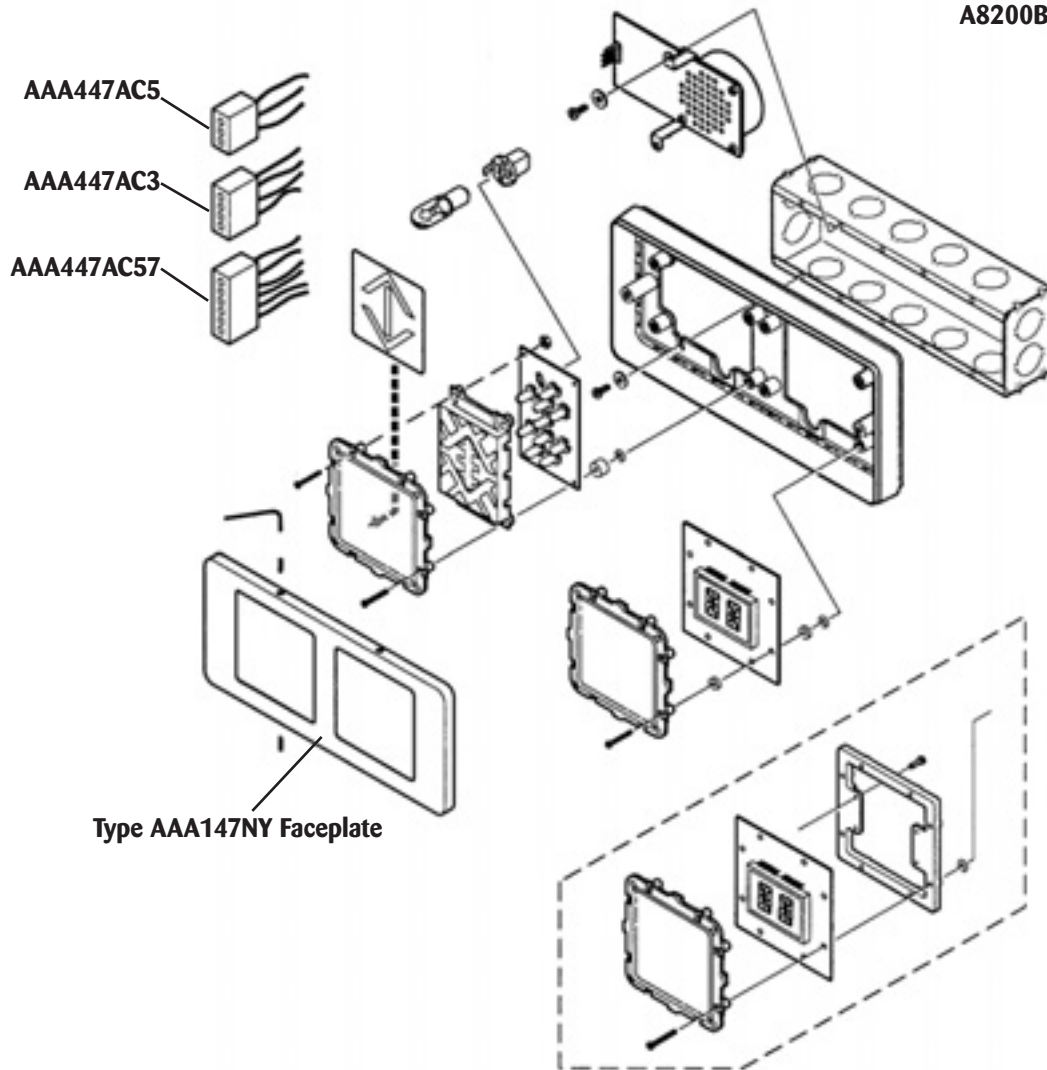
Part Number	Description
AAA6646FA5	Assembly, Combination Hall Lantern & Position Indicator, Horizontal Mounting, w/Gong PC Board and w/o Faceplate and Wall Box
AAA6646FA1	Assembly, Hall Lantern, Horizontal Mounting, w/Gong PC Board and w/o Faceplate and Wall Box
AAA6646FA3	Assembly, Position Indicator, Horizontal Mounting, and w/o Gong PC Board, Faceplate, and Wall Box
AAA6646FA6	Assembly, Combination Hall Lantern & Position Indicator, Vertical Mounting, w/Gong PC Board and w/o Faceplate and Wall Box
AAA6646FA2	Assembly, Hall Lantern, Vertical Mounting, w/Gong PC Board and w/o Faceplate and Wall Box
AAA6646FA4	Assembly, Position Indicator, Vertical Mounting, and w/o Gong PC Board, Faceplate, and Wall Box



Part Number	Description
AAA447AC5	Connector, Feed-Thru, 3-Circuit
AAA447AC3	Connector, Feed-Thru, 4-Circuit
AAA447AC57	Connector, Feed-Thru, 6-Circuit

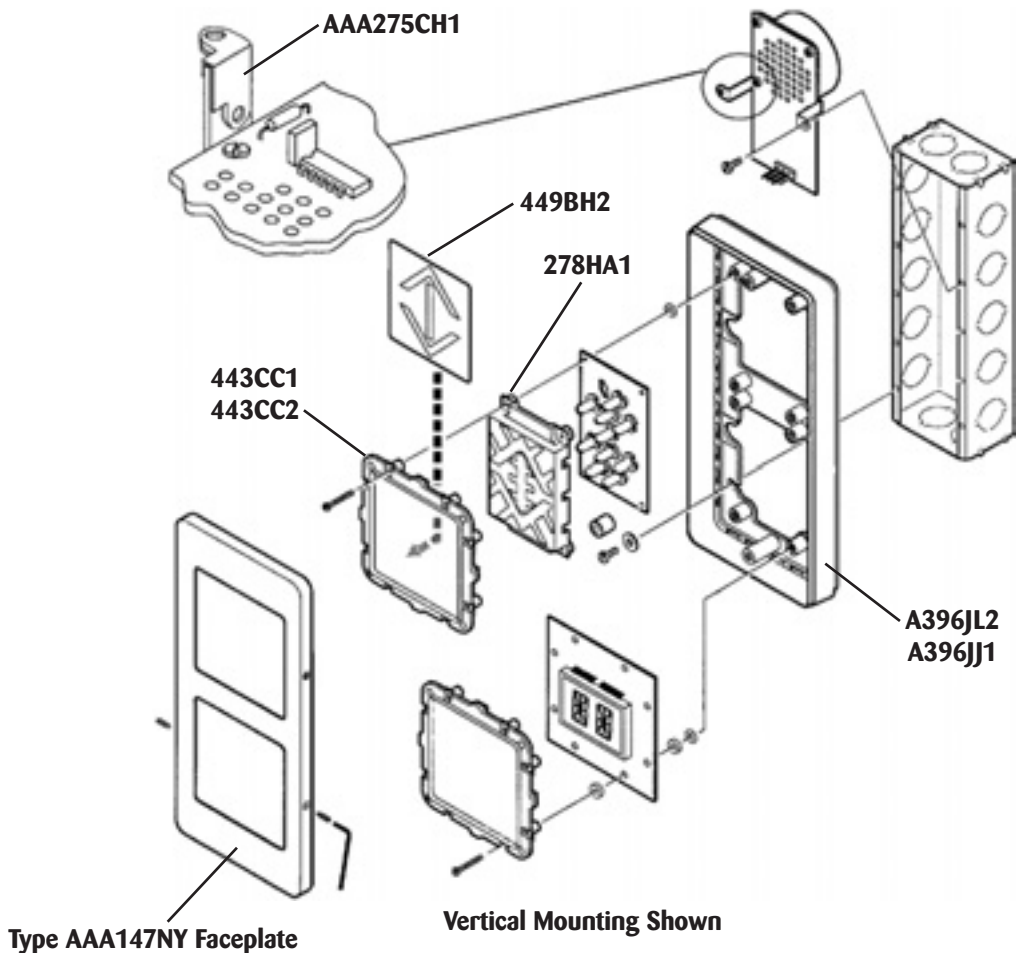


**A8200BE1**



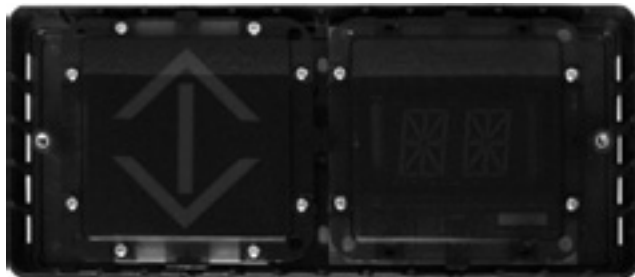
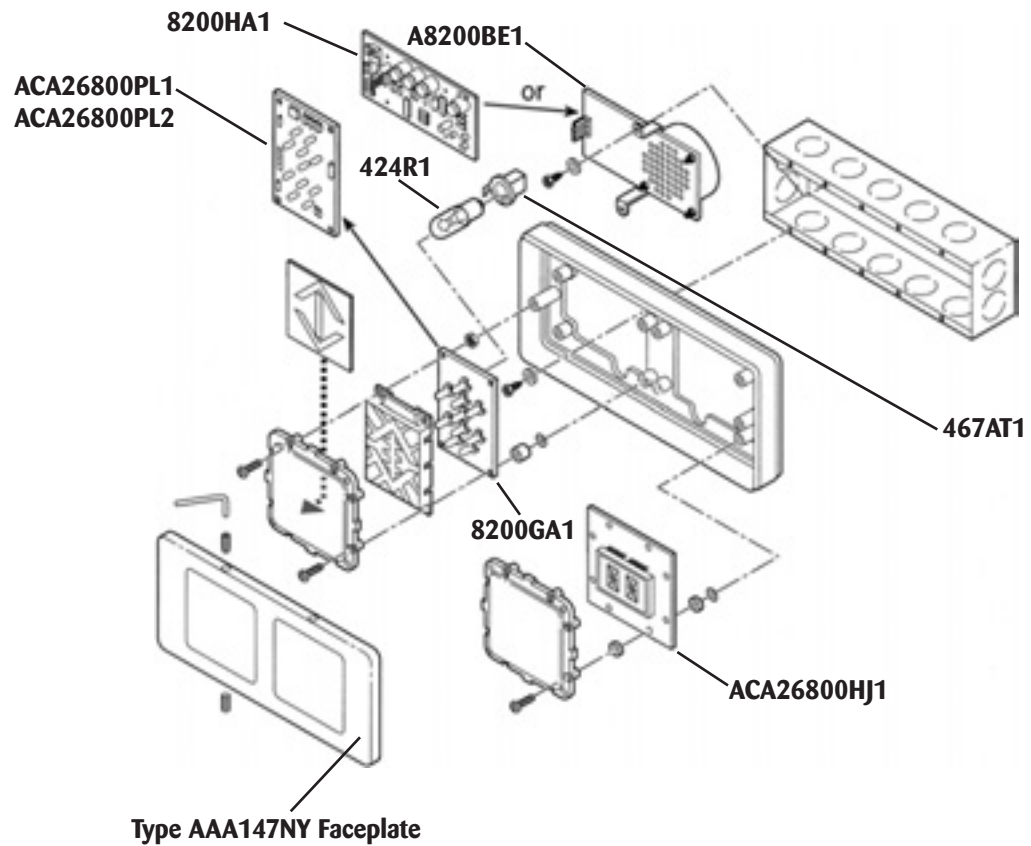
## Hall Lanterns and Hall Position Indicators: Type 6646CY ⇨ AAA6646FA (continued)

Part Number	Description
449BH2	Diffuser, Lantern
A396JL2	Housing. For Combination Hall Lantern and Hall Position Indicator.
A396JJ1	Housing. For Hall Lantern or Hall Position Indicator.
AAA275CH1	Insulator, Bracket
443CC1	Lens, Green
443CC2	Lens, Red
278HA1	Reflector



# Hall Lanterns & Position Indicators

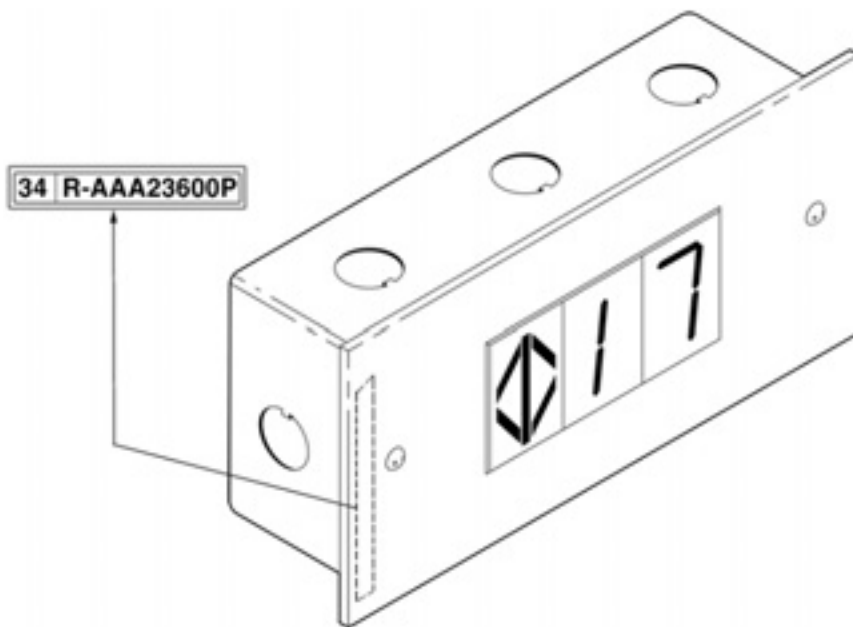
Part Number	Description
424R1	Lamp, 28 V
8200HA1	PC Board, Gong w/Audible Alarm (used in systems July 1981-June 1984)
A8200BE1	PC Board, Gong w/Chime Speaker(used in systems July 1984-Current)
8200GA1	PC Board, Lantern
ACA26800PL2	PC Board, Lantern, LED, Green Illumination. Used with 443CC1 Green Lens.
ACA26800PL1	PC Board, Lantern, LED, Red Illumination. Used with 443CC2 Red Lens.
ACA26800HJ1	PC Board, Position Indicator
467AT1	Socket, Lamp





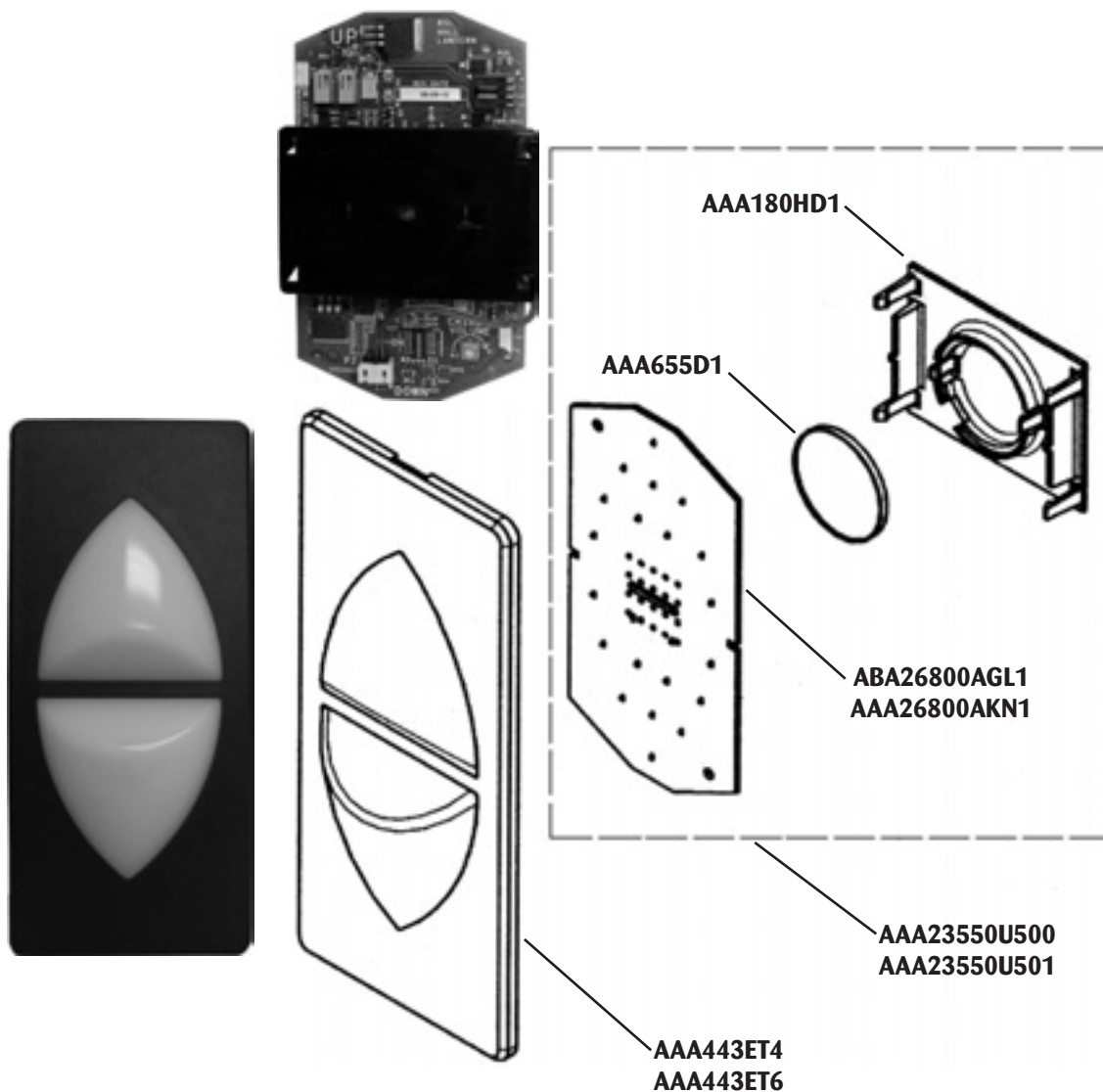
## Hall Position Indicator Assembly: Type AAA23600P

**NOTE:** Please call UNITEC for more information and parts availability.



## Landing Fixture—In-Car Lantern Assembly: Type AAA23550U

Part Number	Description
AAA180HD1	Holder
AAA23550U500	Kit, Board with Transducer (AAA655D1) and Holder (AAA180HD1), for RSL
AAA23550U501	Kit, Board with Transducer (AAA655D1) and Holder (AAA180HD1), for Discrete
AAA443ET6	Lens. Used only for brass mirror and brushed returns.
AAA443ET4	Lens. Used only for stainless steel mirror and brushed returns.
AAA26800AKN1	PC Board, Discrete Lantern
ABA26800AGL1	PC Board, RSL Lantern
AAA655D1	Transducer, Communications

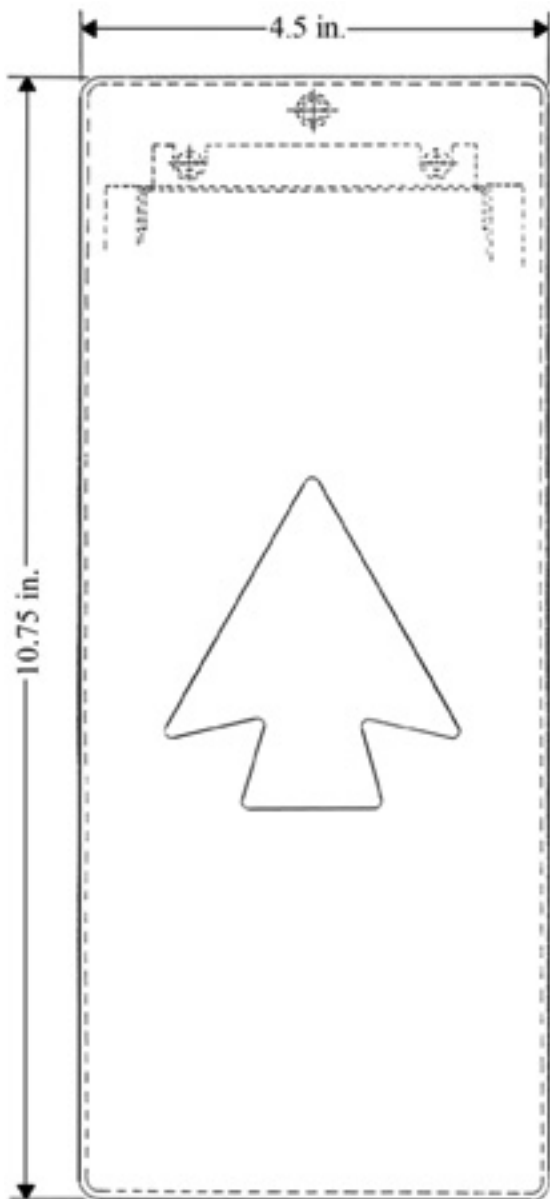


## Pictorial Catalog: Faceplates

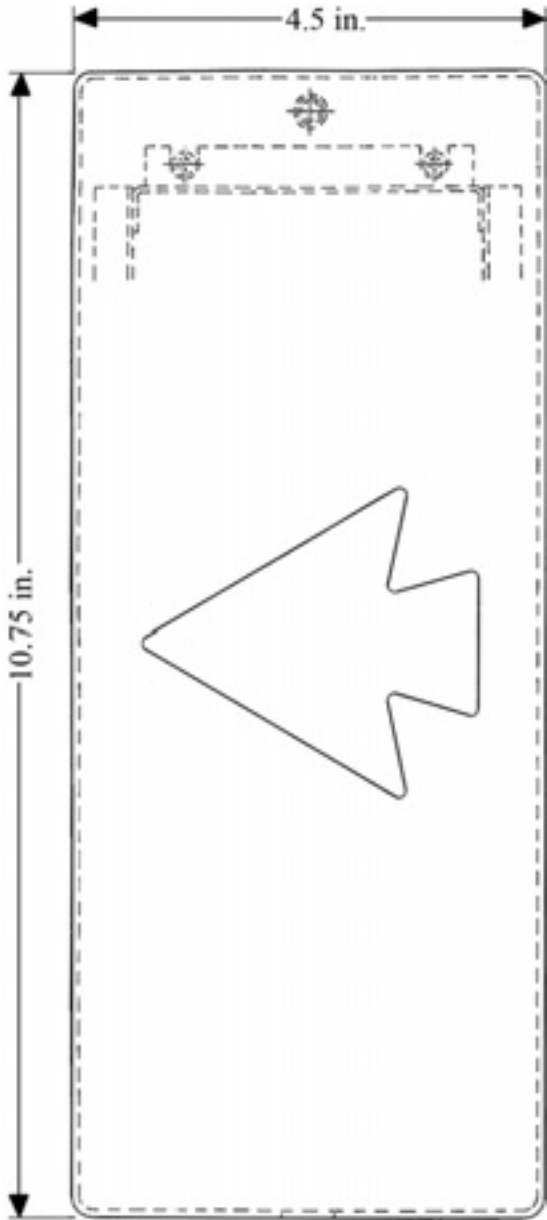
All faceplates depicted in both illustrations and tables depict the pan type faceplate. If flat type faceplate is needed, choose the correct lens configuration you need from illustrations and indicate that you need the flat faceplate. Specify brushed stainless steel or brushed bronze. Mirror finish is a special order and longer lead time—please ask UNITEC for more information.

**Note 1:** Top level arrangements are generally not available, but may be quoted as special. **Refer to index on pages 52–53 for more information.**

**Note 2:** “Faceplate assembly” is a faceplate with the lenses as well as a synthetic light shield mounted to back of faceplate.

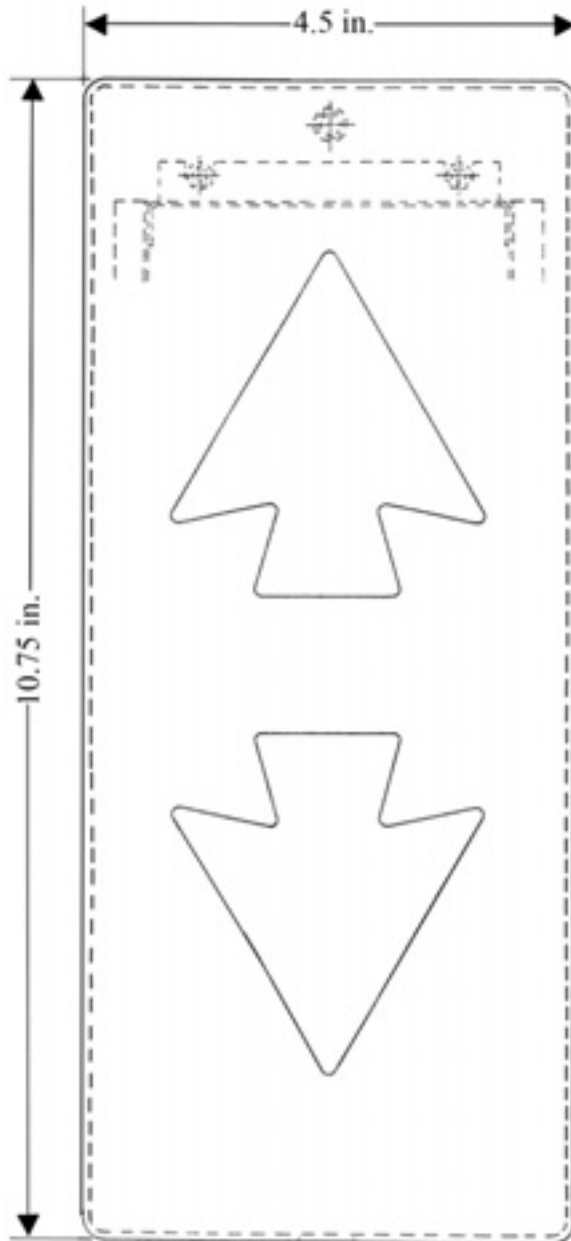


Part Number	Description
6646F	Top Level
6646P	Faceplate Assembly
A147EN1	Faceplate, Pan Type
A147EN2	
A449AA1	Lens

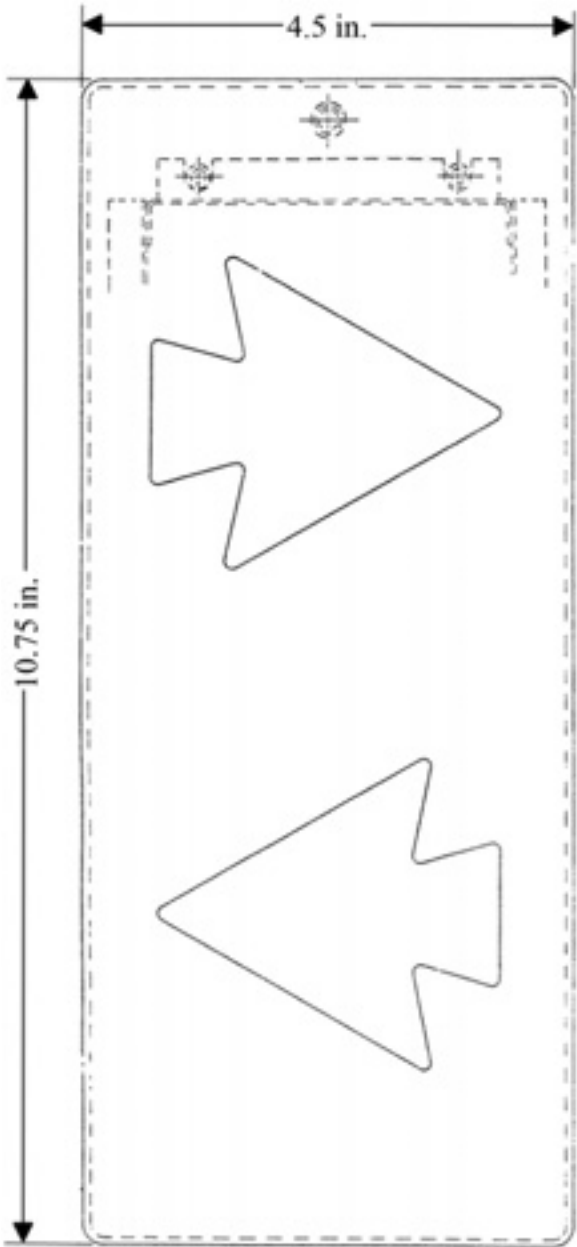


Part Number	Description
6646j	Top Level
6646W	Faceplate Assembly
A147EK1	Faceplate, Pan Type
A449AA1	Lens

# Hall Lanterns & Position Indicators

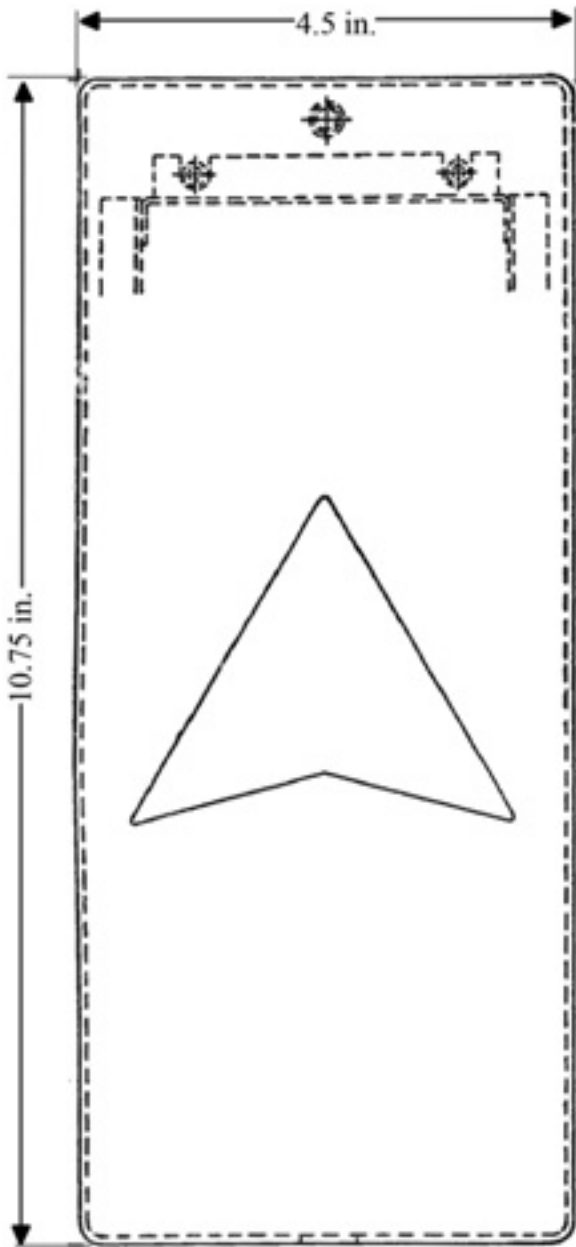


Part Number	Description
6646A	Top Level
6646AA	Faceplate Assembly
A147EP1	Faceplate, Pan Type
A449AA1	Lens



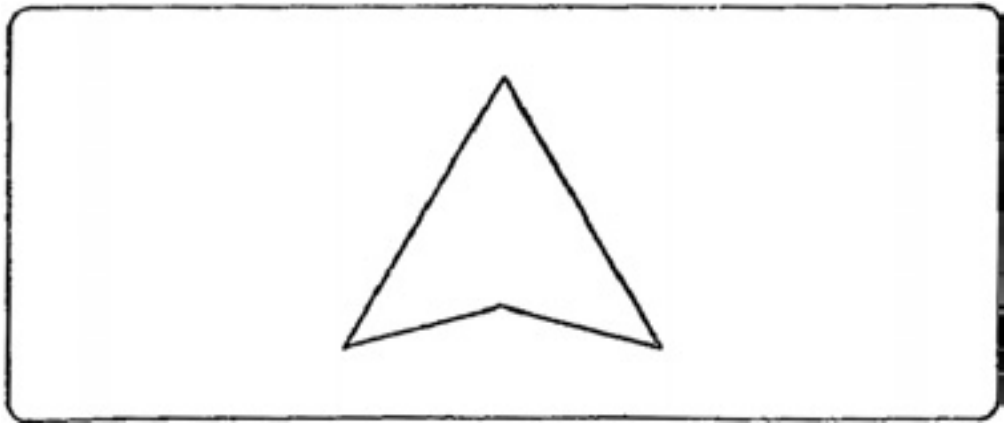
Part Number	Description
6646H	Top Level
6646Y	Faceplate Assembly
A147EJ1	Faceplate, Pan Type
A449AA1	Lens

# Hall Lanterns & Position Indicators

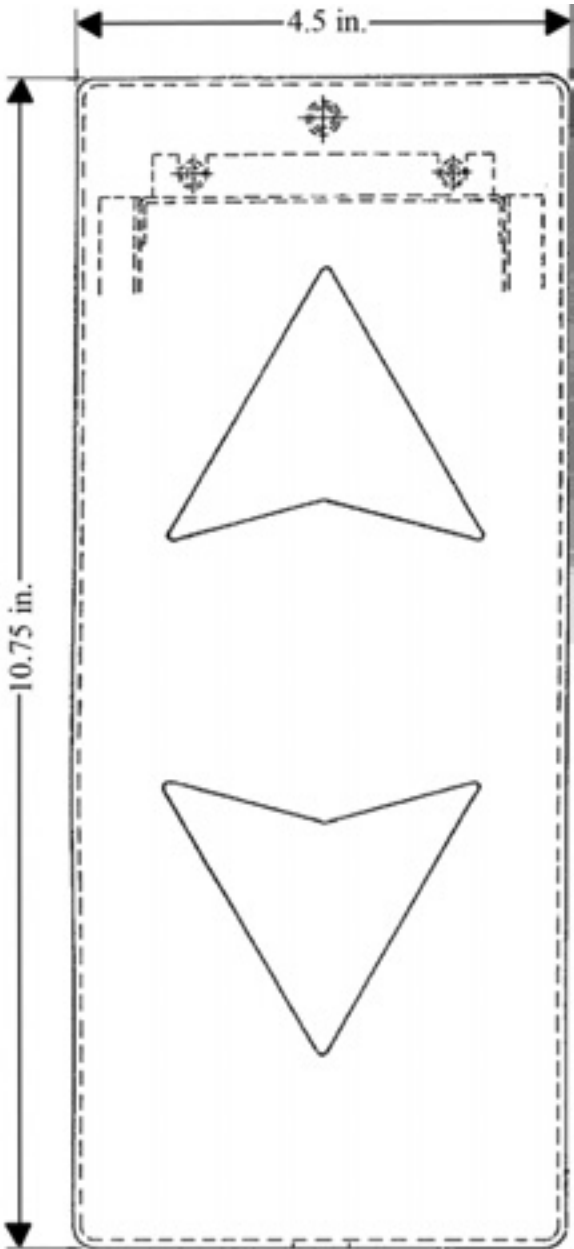


Part Number	Description
6646DJ	Top Level
6646DP	Faceplate Assembly
147KH2	Faceplate, Pan Type
147KH3	
449AY1	Lens

Part Number	Description
6646DJ	Top Level
6646DP	Faceplate Assembly
147KH1	Faceplate, Pan Type
449AY1	Lens

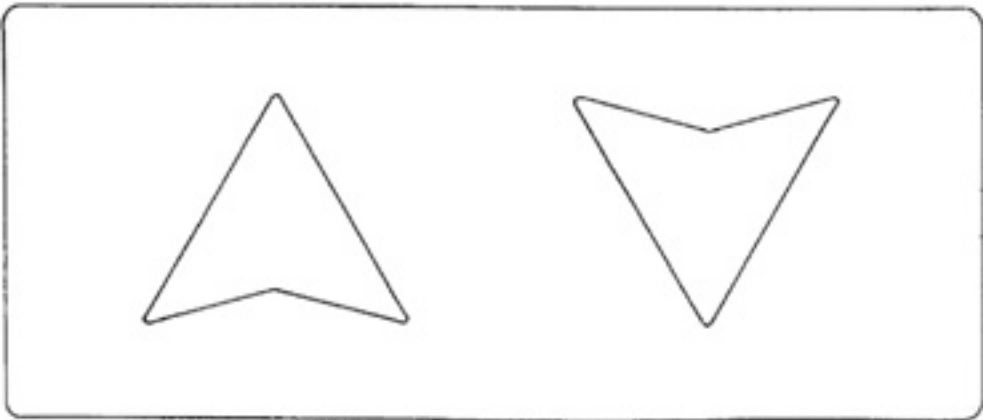


# Hall Lanterns & Position Indicators



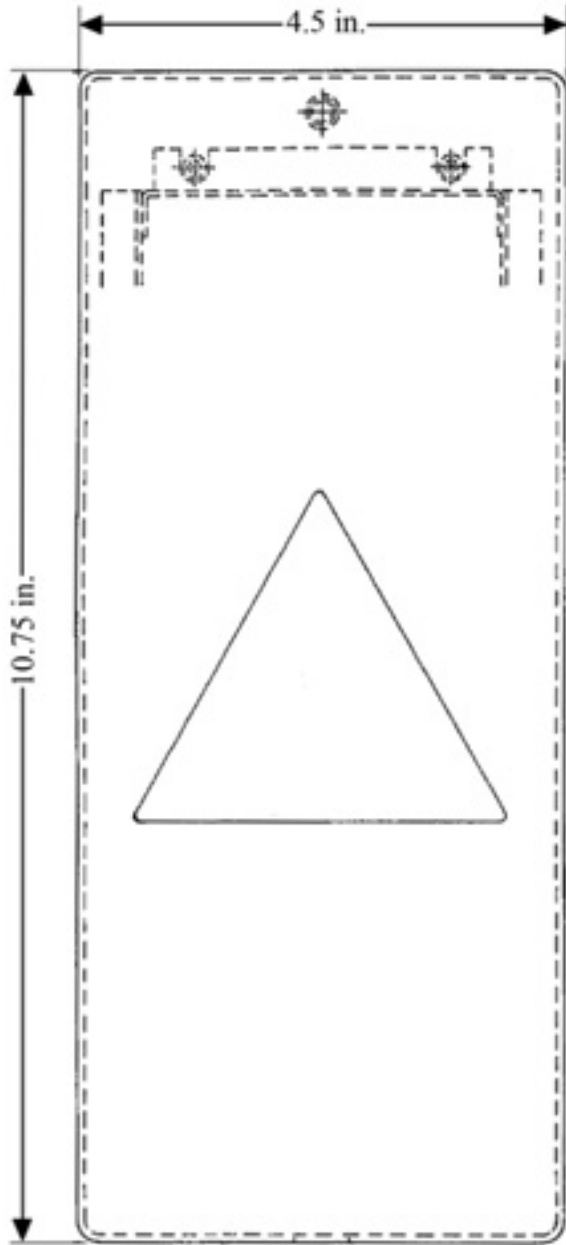
Part Number	Description
6646DH	Top Level
6646DN	Faceplate Assembly
147KG2	Faceplate, Pan Type
449AY1	Lens

Part Number	Description
6646DH	Top Level
6646DN	Faceplate Assembly
147KG1	Faceplate, Pan Type
449AY1	Lens



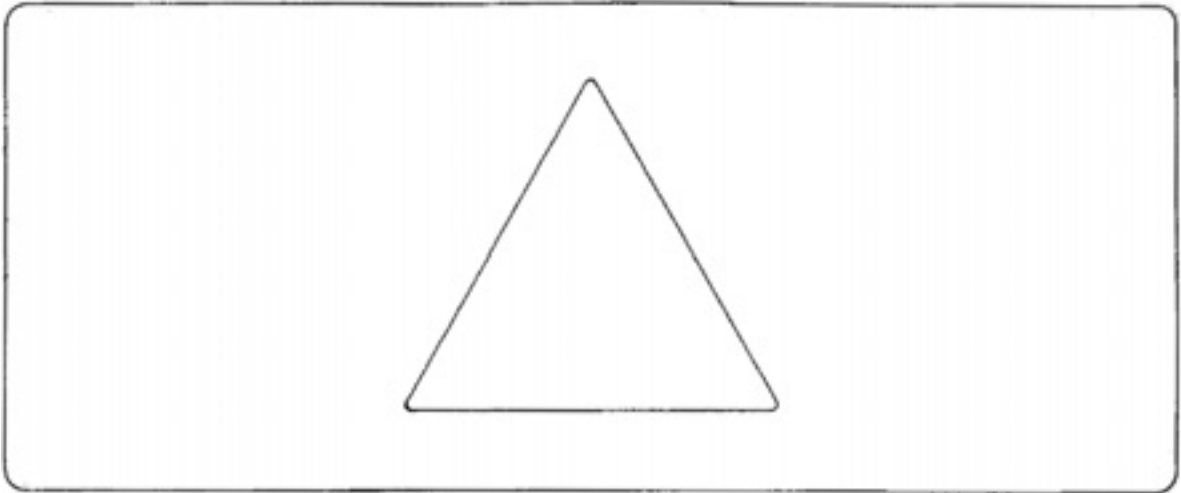


# Hall Lanterns & Position Indicators

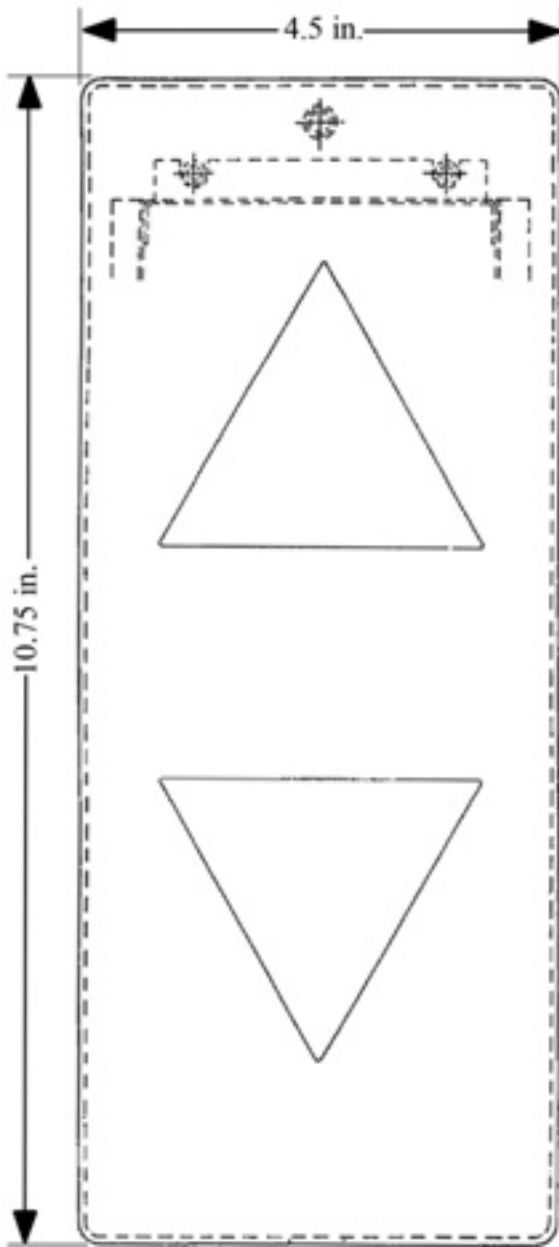


Part Number	Description
6646AK	Top Level
6646AN1	Faceplate Assembly
6646AN2	
147JM2	Faceplate, Pan Type
147JM3	
449AS1	Lens

Part Number	Description
6646AK	Top Level
6646AN1	Faceplate Assembly
6646AN12	
147JM1	Faceplate, Pan Type
449AS1	Lens

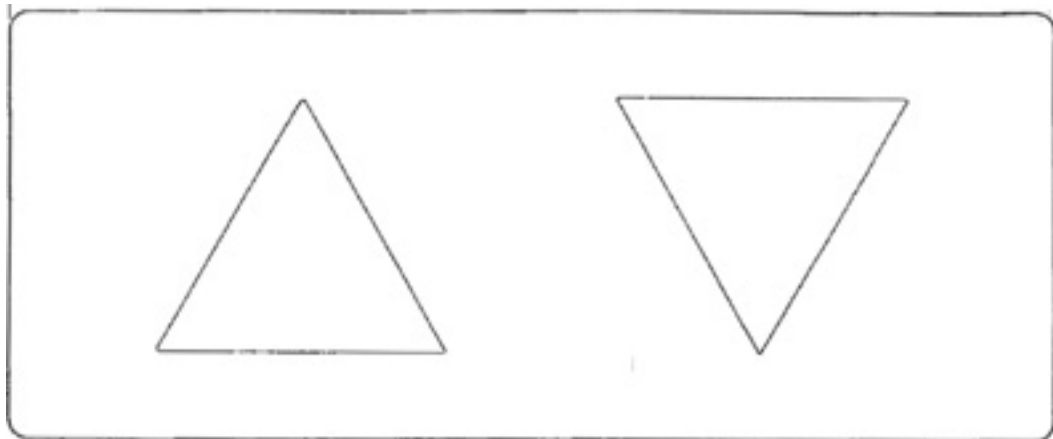


# Hall Lanterns & Position Indicators

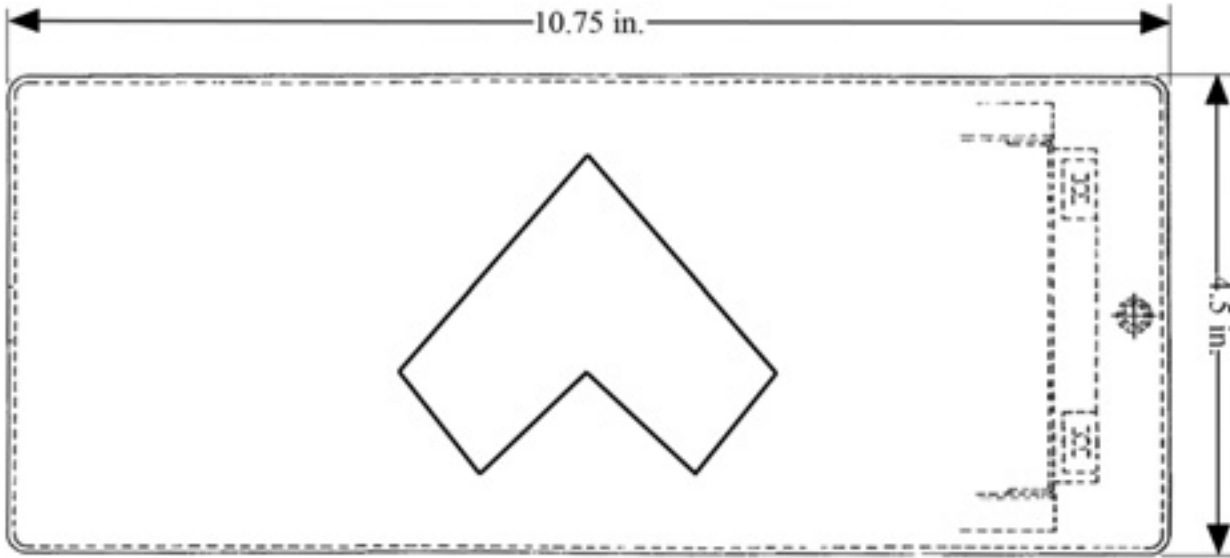


Part Number	Description
6646AS	Top Level
6646AR	Faceplate Assembly
147JR2 A147JR2	Faceplate, Pan Type
449AS1 A449AS1	Lens

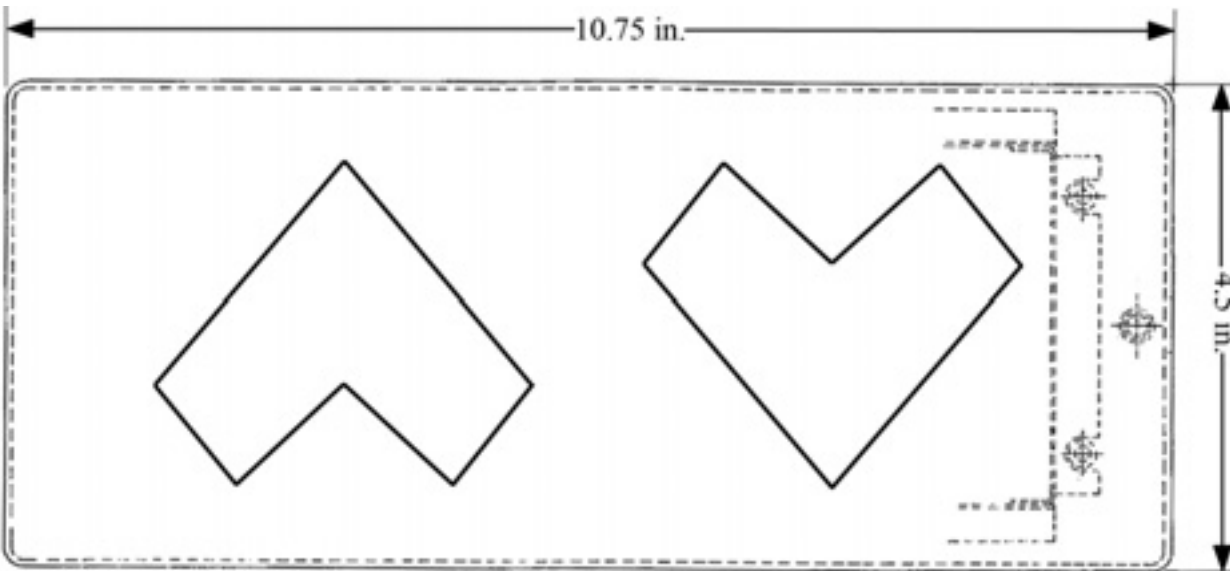
Part Number	Description
6646AS	Top Level
6646AR	Faceplate Assembly
147JR1 A147JR1	Faceplate, Pan Type
449AS1 A449AS1	Lens



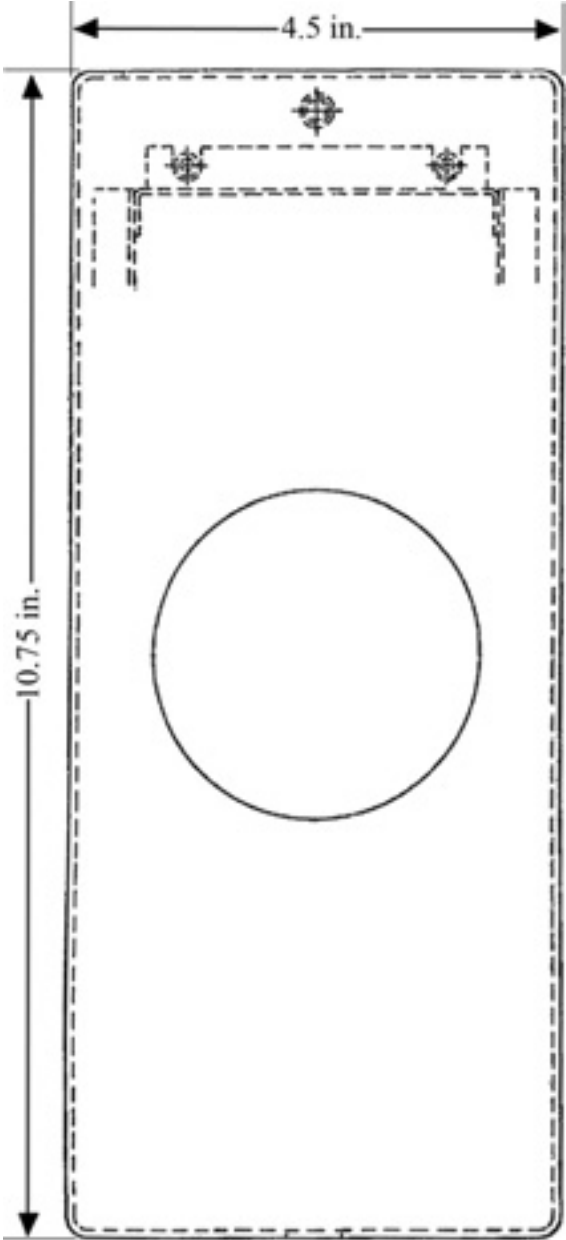
# Hall Lanterns & Position Indicators



Part Number	Description
6646AG	Top Level
A6646AD	Faceplate Assembly
147EG1	Faceplate, Pan Type
449AM2, 449AM3	Lens

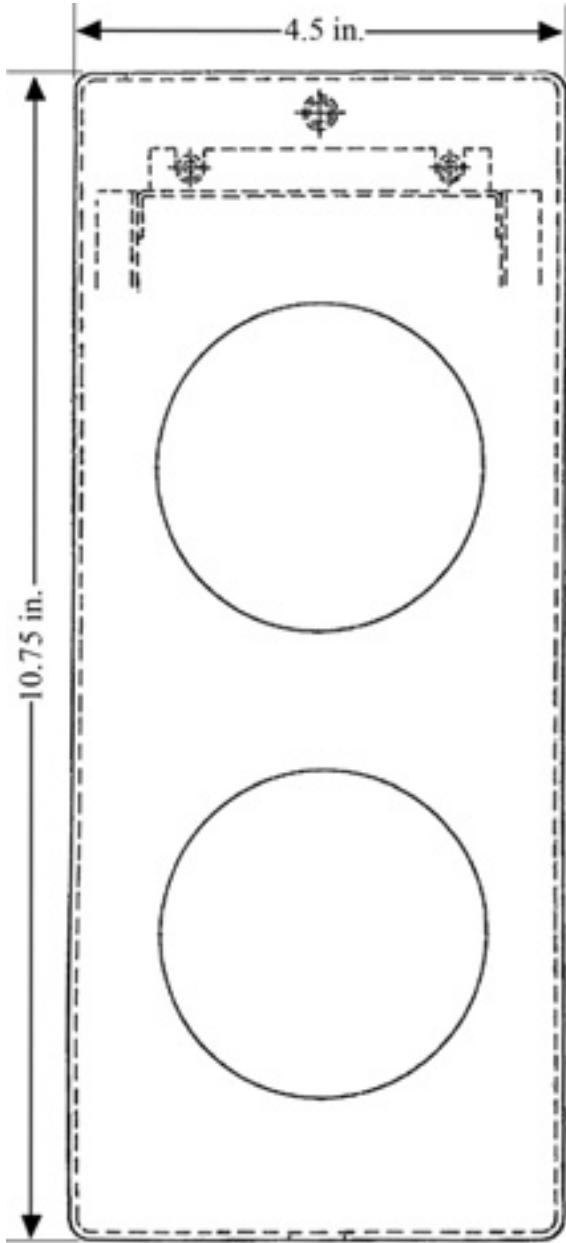


Part Number	Description
6646AH	Top Level
A6646AB	Faceplate Assembly
147EH1	Faceplate, Pan Type
449AM2 449AM3	Lens



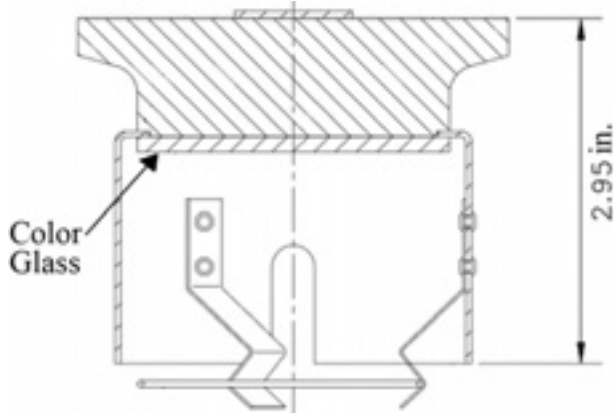
Part Number	Description
6646DM	Top Level
6646DR	Faceplate Assembly
147KJ1	Faceplate, Pan Type
449BA1	Lens

# Hall Lanterns & Position Indicators

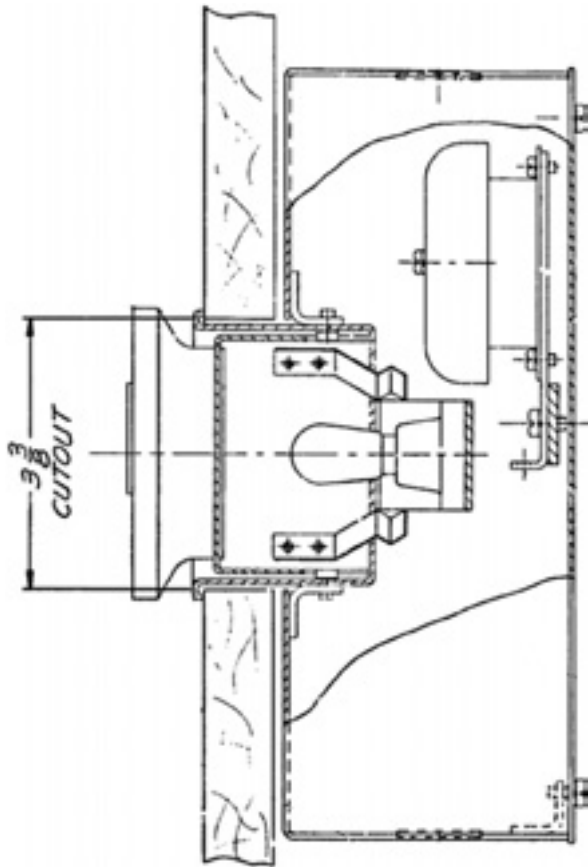


Part Number	Description
6646DM	Top Level
6646DR	Faceplate Assembly
147KJ2	Faceplate, Pan Type
449BA1	Lens

# Hall Lanterns & Position Indicators

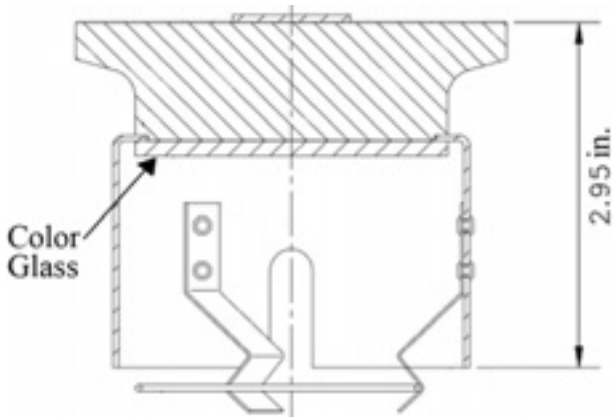


Part Number	Description
6646AW	Lens

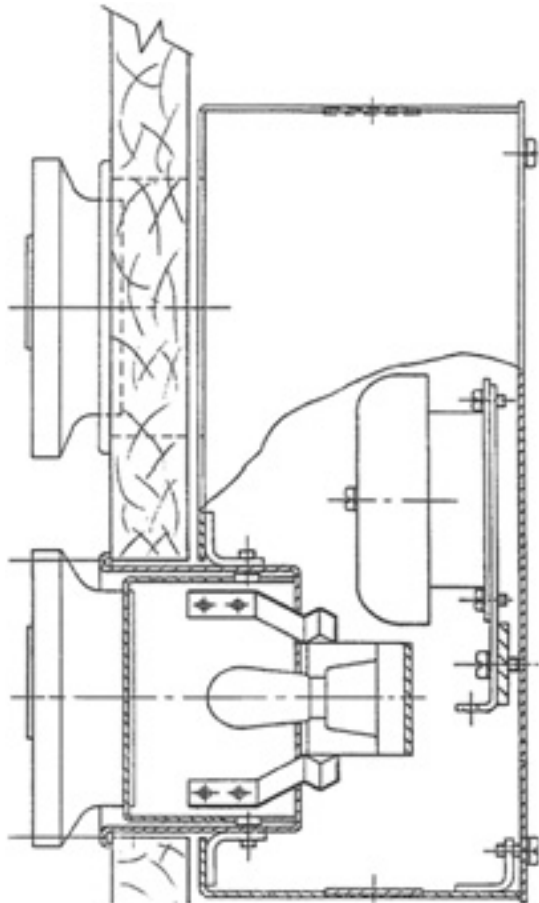


Part Number	Description
6646BA	Top Level
6646AW	Lens

# Hall Lanterns & Position Indicators

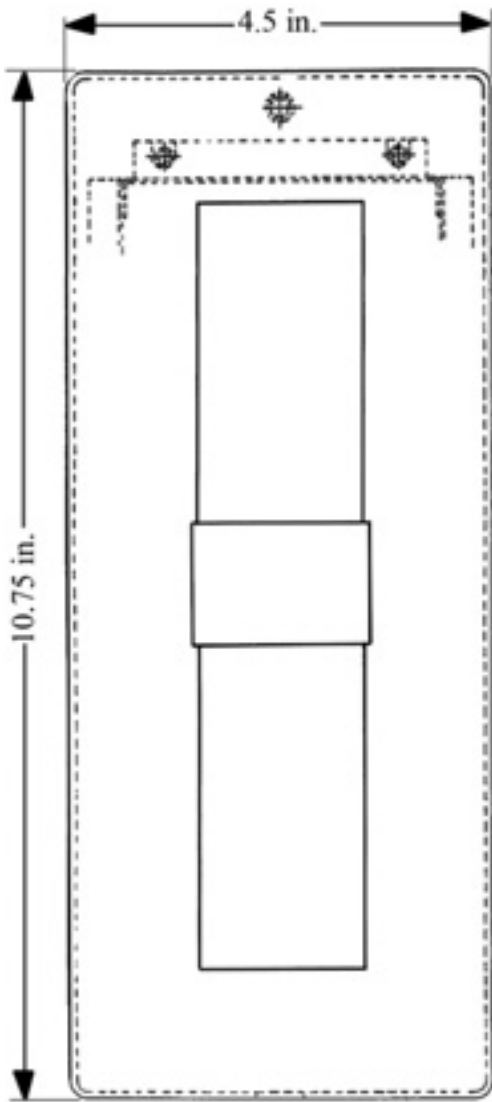


Part Number	Description
6646AW	Lens

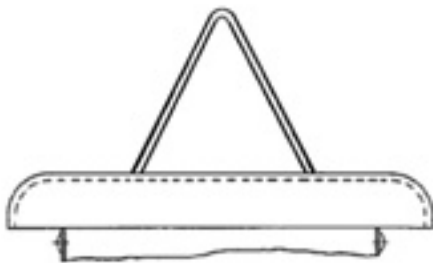


Part Number	Description
6646AY	Top Level
6646AW	Lens

# Hall Lanterns & Position Indicators

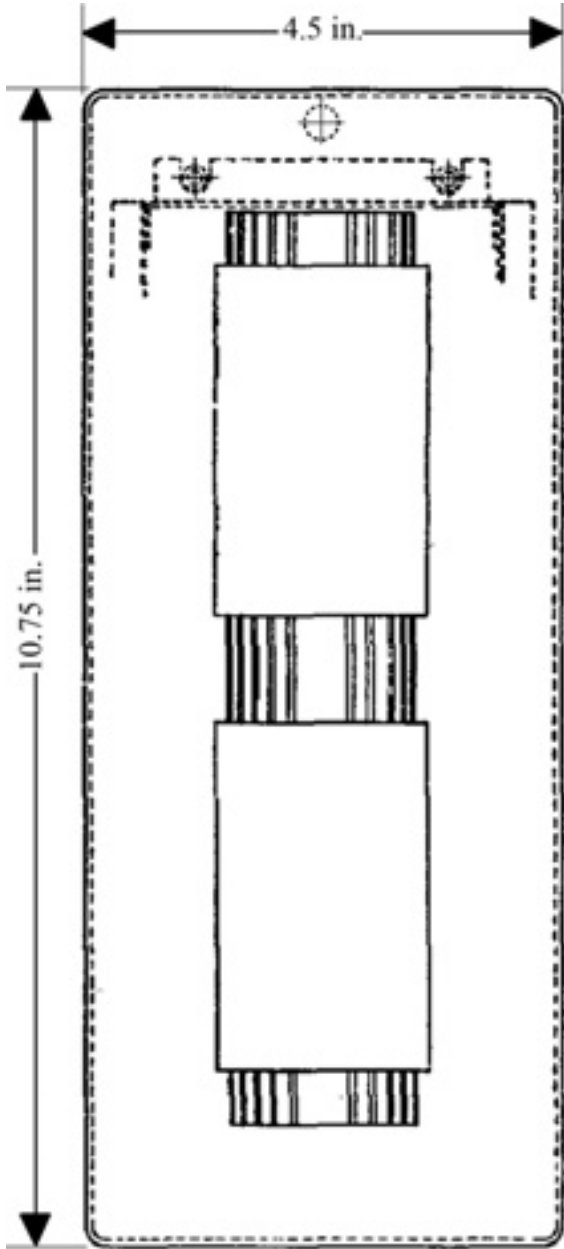


Part Number	Description
6646T	F.P. Assy
A147ER1	Faceplate, Pan Type
449AE2	Lens
449AE3	



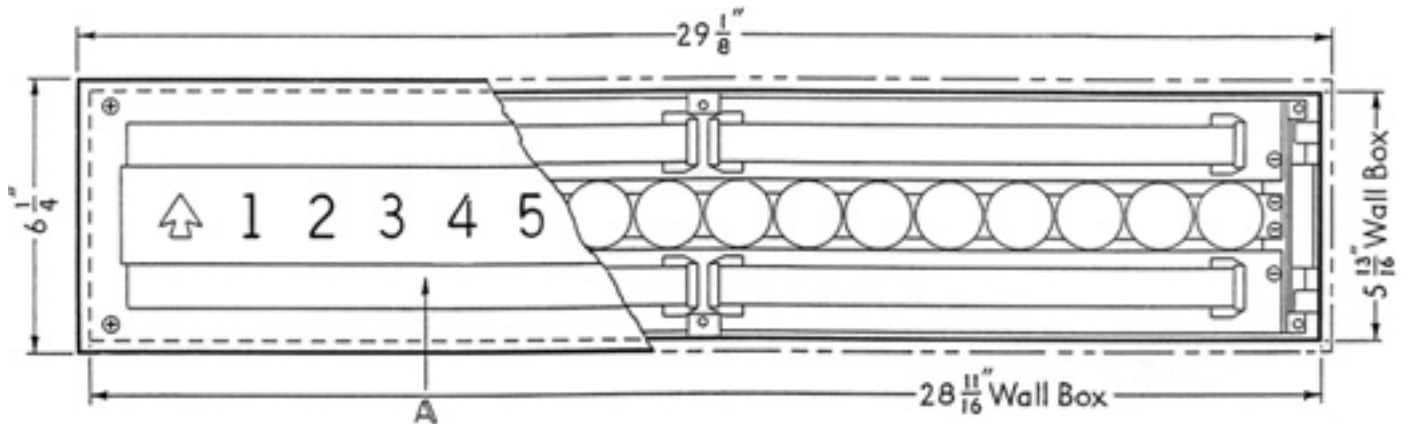


# Hall Lanterns & Position Indicators



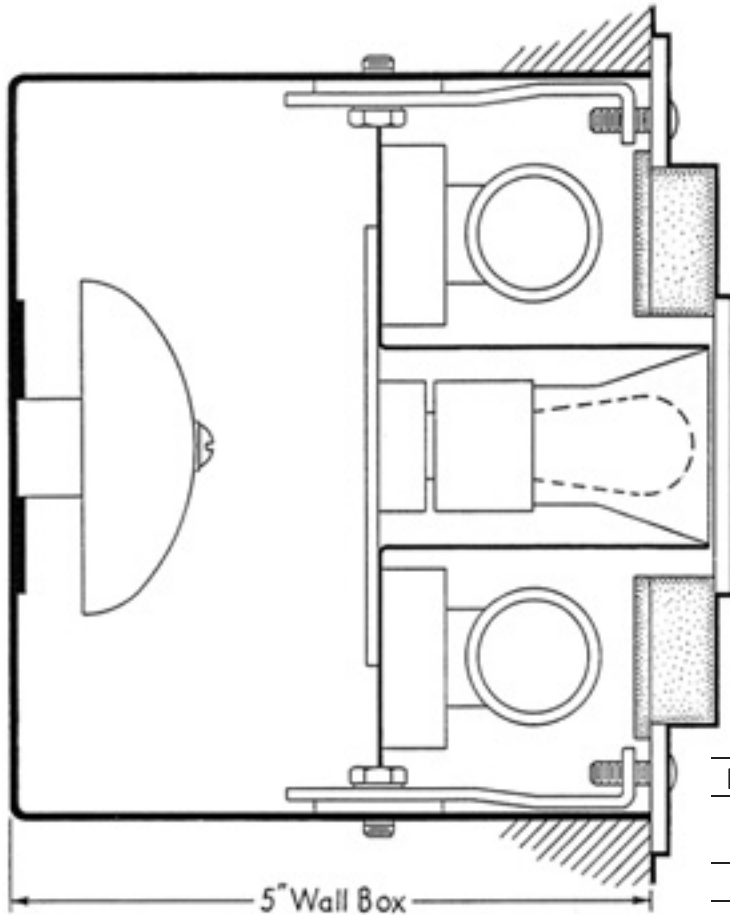
Part Number	Description
6646B	Top Level
6646R	Faceplate Assembly
A147ES1	Faceplate, Pan Type
A449T2	Lens
A449T3	

# Hall Lanterns & Position Indicators



FRONT


Type 6770A Indicator




## Spare Parts

Part Number	Description
6644A3	Base Assembly, 2 Terminals & 74G2 Nut
Type 311B	Bell
A449W3	Glass, White, 24 in. Long
424C1	Lamp, 11.75 in. Long, 40 W
424H1	Lamp, 120 V, 0.025 A, 3.0 W
2226A1	Receptacle, Lamp
6644A2	Receptacle, Lamp

**Index Listing: Faceplates**

Lens Style	Faceplate Style	Top Level Assembly Type	Faceplate & Shield Assembly Type	Faceplate Drawing	Lens Part or Type	Orientation	Location	Colored Glass Behind	Guts Base & Bulb Assembly Type
	Pan	6646J	6646W	A, 147EK	A, 449AA1	Horizontal	Terminal		6646AF
		6646H	6646Y	A, 147EJ		Horizontal	Intermediate		
		6646F	6646P	A, 147EN1, 2		Vertical	Terminal		
		6646A	6646AA	A, 147EP		Vertical	Intermediate		
Fantail Arrow	Flat	6646BB	6646BN	A, 147KK	449AY1	H & V	Terminal	6646CE	
		6646BC	6646BP			H & V	Intermediate		
		6646DJ	6646DP	147KH1		Horizontal	Terminal		
		6646DH	6646DN	147KG1		Horizontal	Intermediate		
Triangle	Pan	6646DJ	6646DP	147KH2,3	A449AS1	Vertical	Terminal	443BK1	6646AF
		6646DH	6646DN	147KG2		Vertical	Intermediate		
		6646BD	6646BR	A, 147KL		H & V	Intermediate		
		6646BE	6646BT			H & V	Terminal		
Chevron Arrow	Flat	6646AK	6646AN	147JM1	449AM2, 3	Horizontal	Terminal	443BK1	6646CE
		6646AS	6646AR	A, 147JR1		Horizontal	Intermediate		
		6646AK	6646AN	147JM2,3		Vertical	Terminal		
		6646AS	6646AR	A, 147JR2		Vertical	Intermediate		
Round Protruding	Pan	6646BF	6646BV	A, 147KM	449BA1	H & V	Intermediate	443BK2	6646AF
		6646BG	6646BX			H & V	Terminal		
		6646AG	6646AD	147EG1		Horizontal	Terminal		
		6646AH	6646AB	147EH1		Horizontal	Intermediate		
Round Protruding	Flat	6646BH	6646BY	A, 147KN	449BA1	Horizontal	Intermediate	443BK2	6646CE
		6646BJ	6646CB			Horizontal	Terminal		
		6646DK	6646DR	147KJ2		>>>	Intermediate		
		6646DM	6646DR	147KJ1		>>>	Terminal		
Round Protruding	Flat	6646BK	6646CC	A, 147KP	449BA1	>>>	Intermediate	443BK2	6646AF
		6646BM	6646CD			>>>	Terminal		

Fixtures w/ Circuit Board Backing Light Circuit										
Lens Style	Faceplate Style	Top Level Assembly Type	Faceplate & Shield Assembly Type	Faceplate Drawing	Lens Part or Type	Orientation	Location	Colored Glass Behind	Guts Base & Bulb Assembly Type	
	Flat	6646CG	6646CL1, 2	147LV	A449AS	Horizontal	Terminal	443BK	6646CX	
			6646CL3, 4			Vertical	Terminal			
			6646CM1			Horizontal	Intermediate			
			6646CM2			Vertical	Intermediate			
Round Protruding	Flat	6646CH	6646CK	147LT	449BA	>>>	Terminal			
			6646CJ			>>>	Intermediate			
Std Arrow	Flat	6646CN	6646CV1, 2	147LW1, 2	A449AA	Horizontal	Terminal			
			6646CV3, 4			Vertical	Terminal			
			6646CP1			Horizontal	Intermediate			
			6646CP2			Vertical	Intermediate			
Round Inserted Disc - Snap In	Non-Removable Round Bezels	6646BA	***	6646AW3, 4	6646AW3, 4	Horizontal	Terminal			
		6646AY	***	6646AW1, 2	6646AW1, 2	Horizontal	Intermediate			
		6646BA	***			Vertical	Terminal			
		6646AY	***			Vertical	Intermediate			
Protruding Wedge	Pan	6646B	6646T	147ER	449AE2, 3	Vertical	Intermediate			
			6646R	147ES	A449T2, 3	Vertical	Intermediate	6646AF		

Notes