



---

# HamiTherm

## Product Presentation



HamiTherm BV -Jade 216 - 3316 LJ Dordrecht - The Netherlands  
Tel. +31 (0)78 654 9976 - Fax +31 (0)78 651 4601 - [info@hamitherm.nl](mailto:info@hamitherm.nl) - [www.hamitherm.nl](http://www.hamitherm.nl)





---

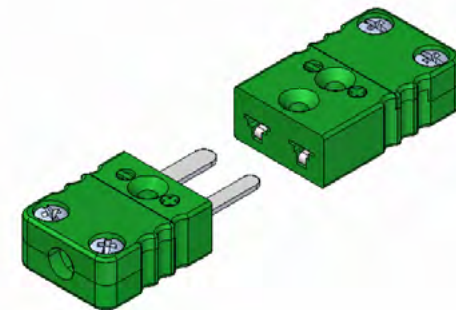
# Overview

- Mini Connectors
- Mini PCB Jacks
- Mini Accessories
- Standard Connectors
- Standard Accessories
- Panel Inserts Mini
- Panel Inserts Standard
- Panels
- Panel Accessories
- M8-M12 connectors
- Terminals
- Tooling



## Mini Connector

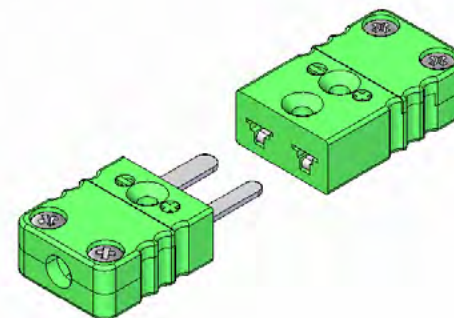
- Glass filled high quality thermoplastic body
- Stainless steel screws with combination head (slotted & Phillips)
- Plate under terminal screw for easy wiring
- Captive cover screw
- Temperature rating 200 °C / 400 °F
- Available in all color code standards
- Max. cable diameter 4,5 mm





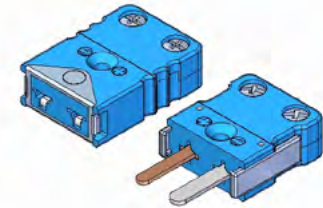
# Mini Connector Economy

- Designed for low cost applications
- Steel zinc plated screws
- Glass filled Nylon body
- Temperature rating 200 °C / 400 °F
- Available in all color code standards
- Max. cable diameter 4,5 mm

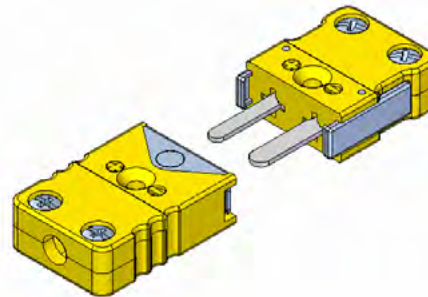




## Mini Connector Locking



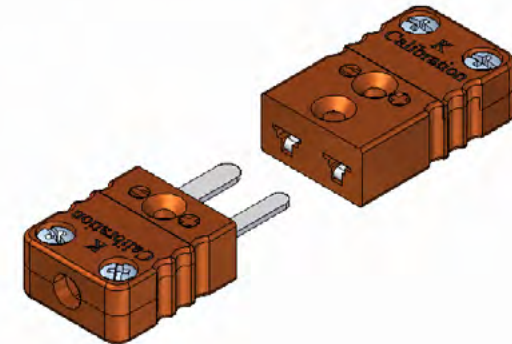
- Patented design
- Prevents unwanted loss of signal
- Compatible with miniature thermocouple connectors
- Compatible with existing HT miniature accessories
- Available in all calibrations, colorcodes or custom colors
- Suited for hand-held indicators, scanners, dataloggers, testbeds etc., etc.





# Mini Connector High Temp

- Body of thermoset material
- Stainless steel screws with combination head (slotted & Phillips)
- Plate under terminal screw for easy wiring
- Temperature rating 350 °C / 650 °F
- Calibration printed on cover
- Max. cable diameter 4,5 mm

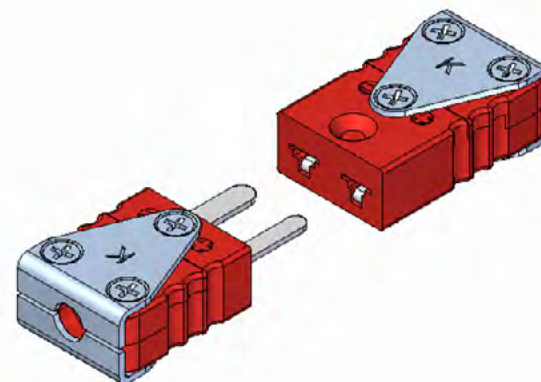




# Mini Connector

## Ultra High Temp

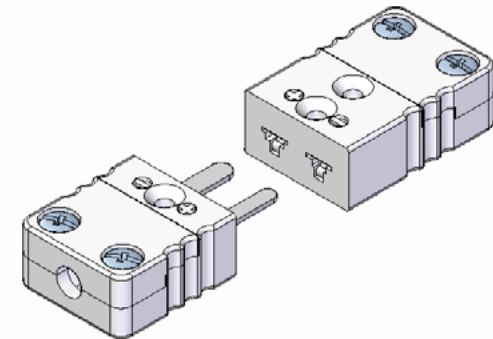
- Body of thermoset compound
- Stainless steel bracket to increase strength
- Stainless steel screws with Phillips head
- Plate under terminal screw for easy wiring
- Temperature rating 425-540 °C /  
800-1000 °F
- Calibration stamped on bracket
- Max. cable diameter 4,5 mm





# Mini Connector Ceramic

- Body of ceramic material
- Stainless steel screws with combination head (slotted & Phillips)
- Plate under terminal screw for easy wiring
- Temperature rating 650 °C / 1200 °F
- Calibration indicated by color dot
- Max. cable diameter 4,5 mm



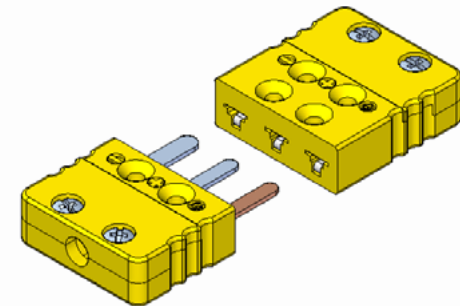




# Mini Connector

## 3-pin

- Glass filled high quality thermoplastic body
- 3rd pin used for ground/shield connection or 3-wire RTD
- Stainless steel screws with combination head (slotted & Phillips)
- Plate under terminal screw for easy wiring
- Captive cover screw
- Temperature rating 200 °C / 400 °F
- Available in all color code standards
- Max. cable diameter 4,5 mm

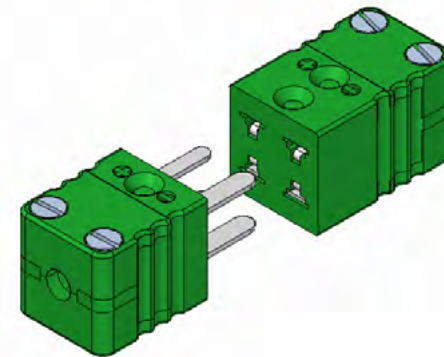




---

# Mini Connector Duplex

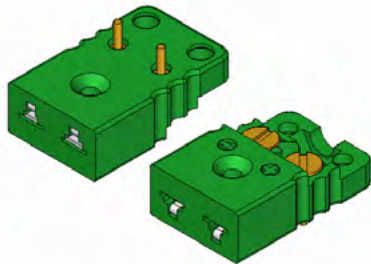
- Glass filled high quality thermoplastic body
- Can be used for duplex TC's or 4-wire RTD
- Plate under terminal screw for easy wiring
- Temperature rating 200 °C / 400 °F
- Calibration printed on cover, type K in yellow or green
- Max. cable diameter 4,5 mm



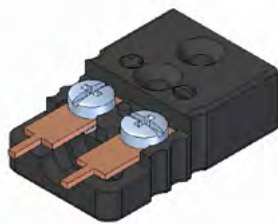


## Mini PCB Jack

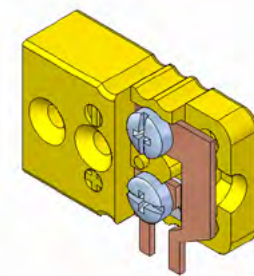
- Glass filled high quality thermoplastic body
- Temperature rating 200 °C / 400 °F
- Available in all color code standards
- Flat, Rear or Side mounting available



Flat



Rear



Side



# Mini PCB Jack

## High Temp

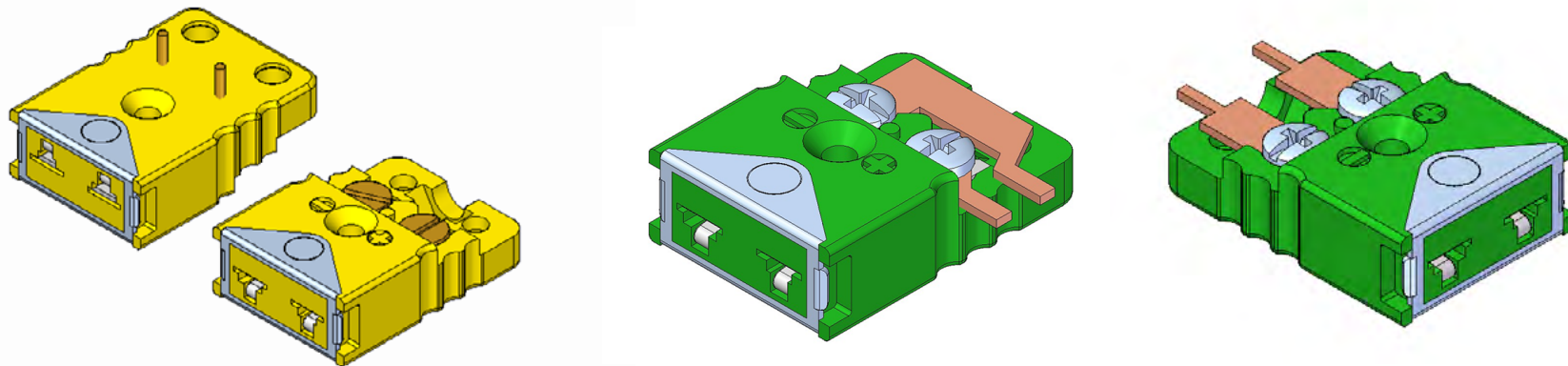
- Body of thermoset material
- Temperature rating 350 °C / 650 °F
- Flat and Rear mounting available





# Mini PCB Jack Locking

- Glass filled high quality thermoplastic body
- Temperature rating 200 °C / 400 °F
- Available in all color code standards
- Flat and Rear mounting available

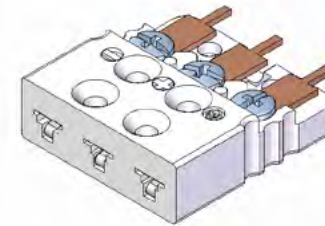
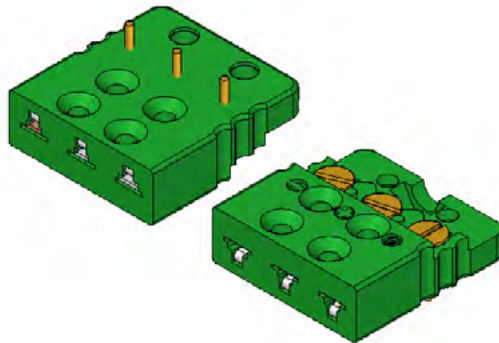




# Mini PCB

## 3-pin

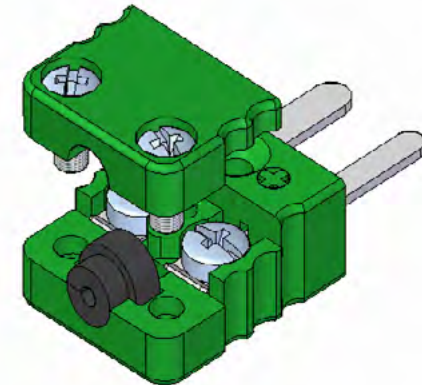
- Glass filled high quality thermoplastic body
- 3rd pin used for ground/shield connection or 3-wire RTD
- Temperature rating 200 °C / 400 °F
- Available in all color code standards
- Flat and Rear mounting available





## Mini Accessories Grommets

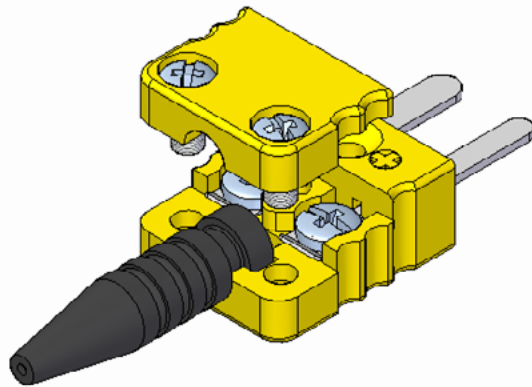
- Protects wire entrance against dirt and moisture
- Limited strain relief
- Silicon rubber
- Temperature rating 200 °C / 400 °F
- Available in diameter 0,5 – 1,5 and 3,0 mm





# Mini Accessories

## Bending protection



- Prevents mechanical damage to thermocouple wire
- Silicon rubber
- Tapered entrance hole
- Temperature rating 200 °C / 400 °F

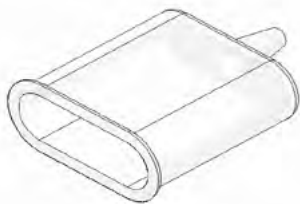




# Mini Accessories

## Protection boot

- Protects connection against dirt and moisture
- Silicon rubber
- Temperature rating 200 °C / 400 °F transparent
- Temperature rating 200 °C / 570 °F black
- Available for 2 pin & 3 pin connectors

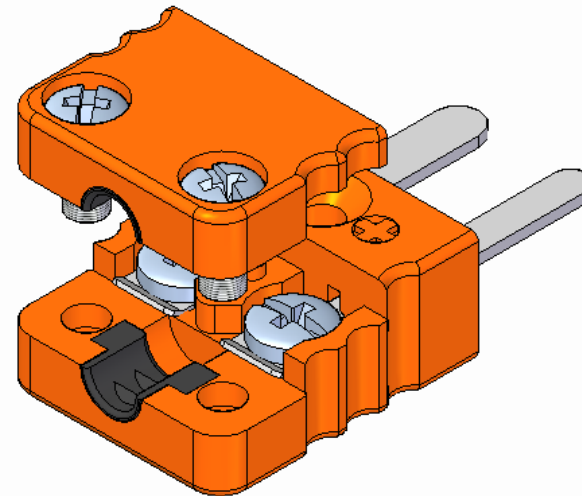




# Mini Accessories

## Wire insert

- Provides a strain relief for wire
- Round wire 1,5 and 3,5 mm
- Oval wire 2 x 1,5 mm

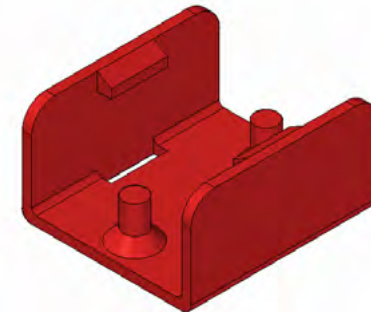
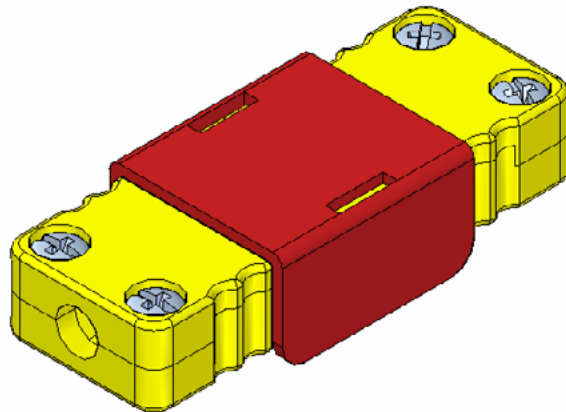




# Mini Accessories

## Locking clip

- Prevents accidental disconnection
- Glass filled high quality thermoplastic clip
- Temperature rating 200 °C / 400 °F

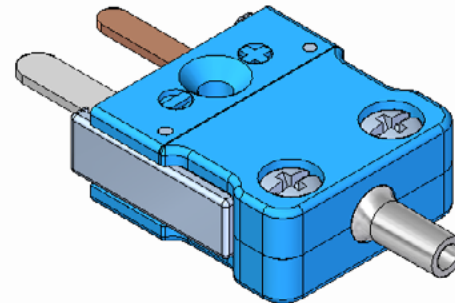
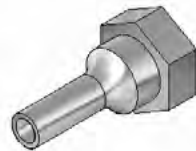




# Mini Accessories

## Crimp insert

- Can be crimped on MI cable or flexible wire
- Brass nickel plated
- Treated for large crimp capability

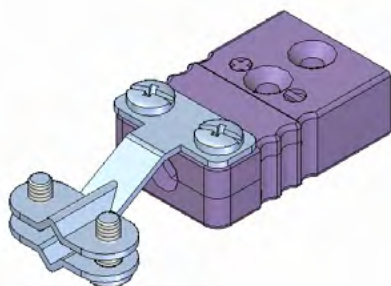
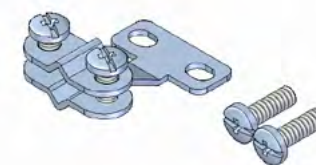




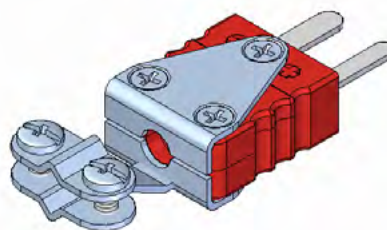
# Mini Accessories

## Wire clamp bracket

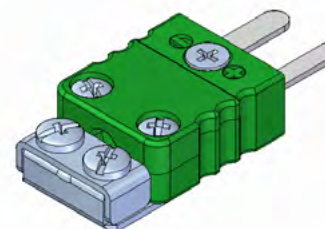
- Provides optimum strain relief
- All stainless steel
- Available for all mini connectors
- Compact version for small wire diameters



Mini wire clamp



Ultra High Temp  
wire clamp

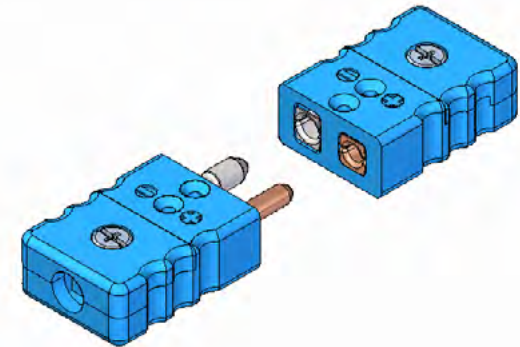


Compact wire clamp



# Standard Connector

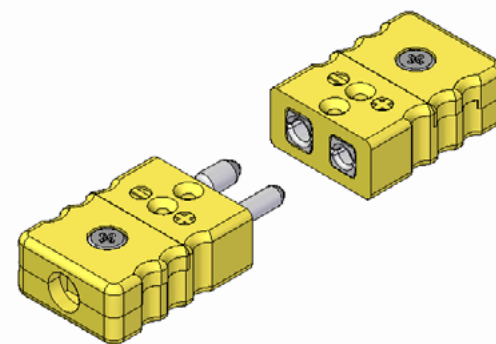
- Glass filled high quality thermoplastic body
- Solid and Hollow pin plugs
- Stainless steel screws with combination head (slotted & Phillips)
- Plate under terminal screw for easy wiring
- Single captive cover screw
- Temperature rating 200 °C / 400 °F
- Available in all color code standards
- Max. cable diameter 8 mm





# Standard Connector Economy

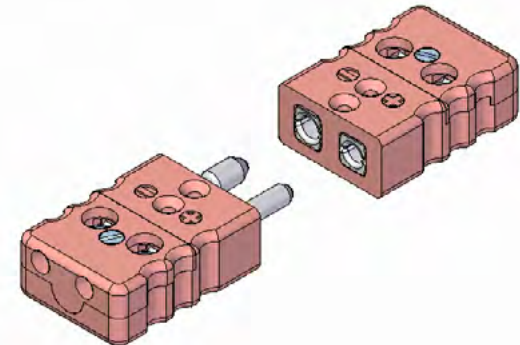
- Targetted at low cost applications
- Hollow pin plug
- Steel zinc plated screws
- Glass filled Nylon body
- Temperature rating 200 °C / 400 °F
- Available in all color code standards
- Max. cable diameter 8 mm





# Standard Connector Jab-in

- Quick wire connection without cover removal
- Glass filled high quality thermoplastic body
- Solid and Hollow pin plugs
- Stainless steel terminal screws with combination head (slotted & Phillips)
- Temperature rating 200 °C / 400 °F
- Available in all color code standards



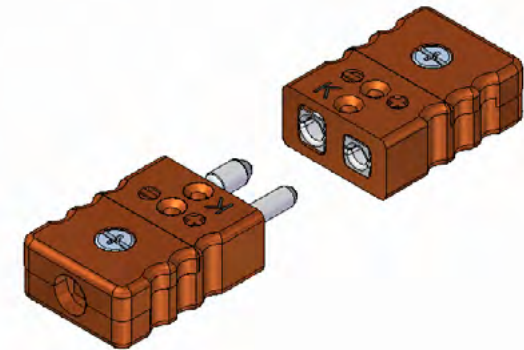




# Standard Connector

## High Temp

- Body of thermoset material
- Solid and Hollow pin plugs
- Stainless steel screws with combination head (slotted & Phillips)
- Plate under terminal screw for easy wiring
- Single captive cover screw
- Temperature rating 350 °C / 650 °F
- Calibration printed on body
- Max. cable diameter 8 mm

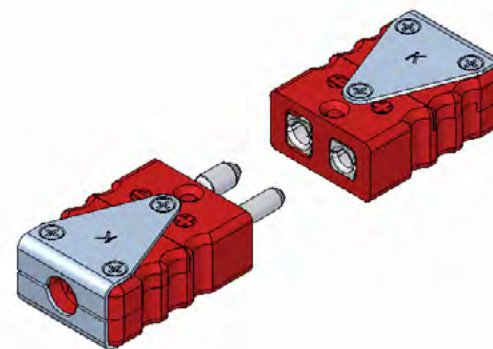




# Standard Connector

## Ultra High Temp

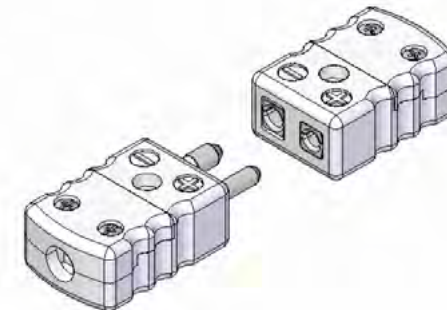
- Body of thermoset compound
- Solid and Hollow pin plugs
- Stainless steel bracket to increase strength
- Stainless steel screws with Phillips head
- Plate under terminal screw for easy wiring
- Temperature rating 425-540 °C /  
800-1000 °F
- Calibration stamped on bracket
- Max. cable diameter 8 mm





# Standard Connector Ceramic

- Body of ceramic material
- Solid and Hollow pin plugs
- Stainless steel screws with combination head (slotted & Phillips)
- Plate under terminal screw for easy wiring
- Temperature rating 650 °C / 1200 °F
- Calibration indicated by color dot
- Max. cable diameter 8 mm

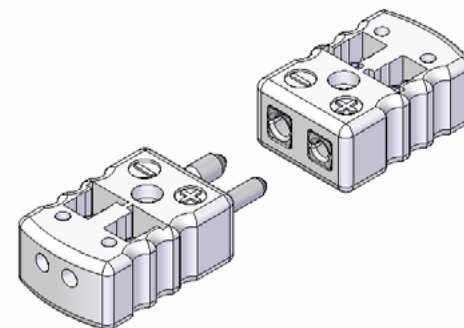




# Standard Connector

## Ceramic Jab-in

- Quick wire connection without cover removal
- Solid body of ceramic material
- Solid and Hollow pin plugs
- Stainless steel screws with combination head (slotted & Phillips)
- Calibration indicated by color dot
- Temperature rating 650 °C / 1200 °F

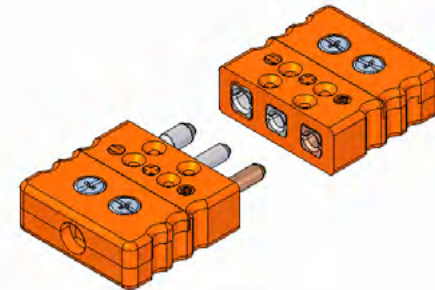




# Standard Connector

## 3-pin

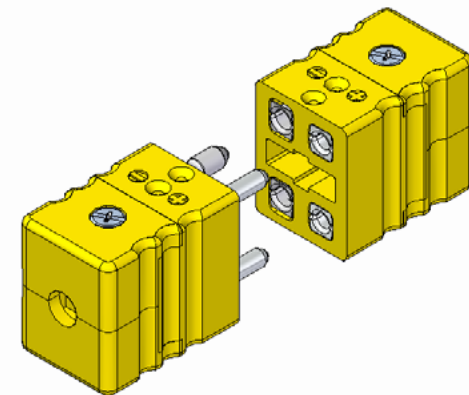
- Glass filled high quality thermoplastic body
- 3rd pin used for ground/shield connection or 3-wire RTD
- Solid and Hollow pin plugs
- Stainless steel screws with combination head (slotted & Phillips)
- Plate under terminal screw for easy wiring
- Captive cover screw
- Temperature rating 200 °C / 400 °F
- Available in all color code standards
- Max. cable diameter 8 mm





# Standard Connector Duplex

- Glass filled high quality thermoplastic body
- Can be used for duplex TC's or 4-wire RTD
- Solid and Hollow pin plugs
- Stainless steel screws with combination head (slotted & Phillips)
- Plate under terminal screw for easy wiring
- Captive cover screw
- Temperature rating 200 °C / 400 °F
- Available in all color code standards
- Max. cable diameter 8 mm



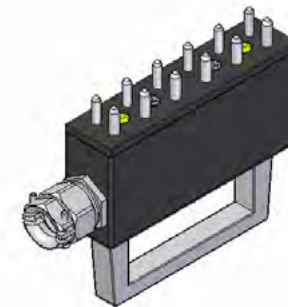


---

# Standard Connector

## Multiple plug

- Multiple plug up to 6 circuits
- Rugged steel epoxy coated housing
- Anodized aluminium handle
- PG13 entrance fitting with excellent strain relief
- Cable diameter up to 15 mm
- Corresponds with HT vertical panels or multiple jack
- Temperature rating 200 °C / 400 °F

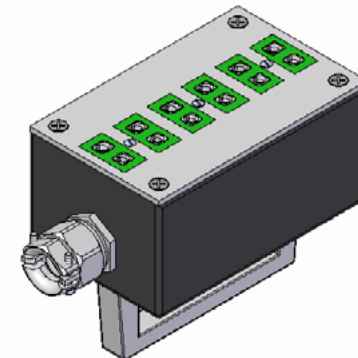




# Standard Connector

## Multiple jack

- Multiple jack up to 6 circuits
- Rugged steel epoxy coated housing
- Anodized aluminum handle
- PG13 entrance fitting with excellent strain relief
- Cable diameter up to 15 mm
- Corresponds with HT multiple plug
- Can also be used for wall mounting
- Temperature rating 200 °C / 400 °F



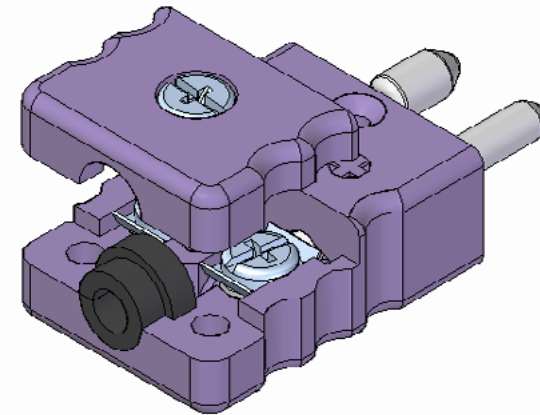




# Standard Accessories

## Grommets

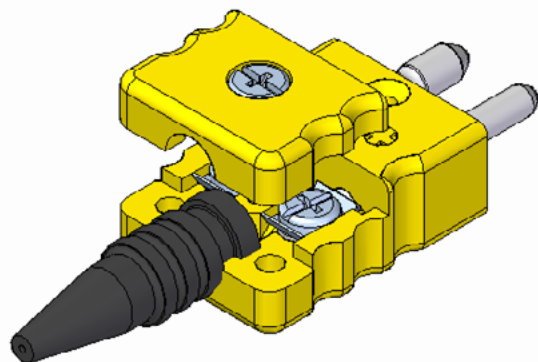
- Protects wire entrance against dirt and moisture
- Limited strain relief
- Silicon rubber
- Temperature rating 200 °C / 400 °F
- Available in diameter 1,5 – 2,5 and 4,5 mm





# Standard Accessories

## Bending protection



- Prevents mechanical damage to thermocouple wire
- Silicon rubber
- Tapered entrance hole
- Temperature rating 200 °C / 400 °F



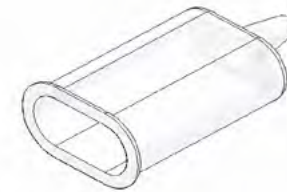
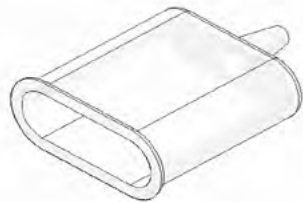


---

# Standard Accessories

## Protection boot

- Protects connection against dirt and moisture
- Silicon rubber
- Temperature rating 200 °C / 400 °F  
transparent
- Available for 2 pin & 3 pin connectors

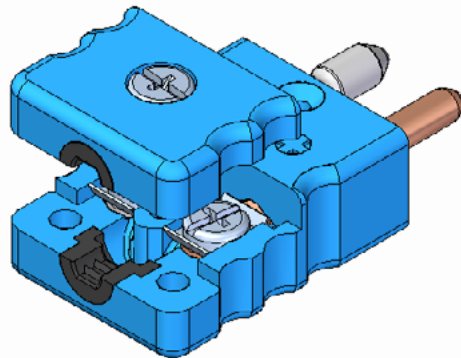




# Standard Accessories

## Wire insert

- Provides a strain relief for wire
- Round wire 3,5 mm
- Oval wire 2 x 1,5 mm

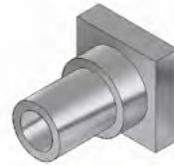




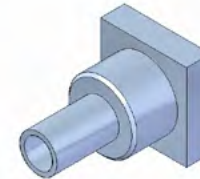
# Standard Accessories

## Crimp insert/adapter

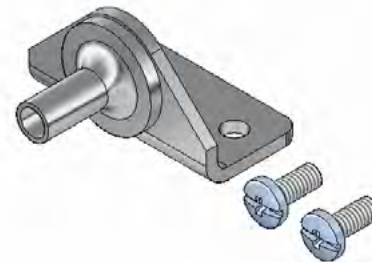
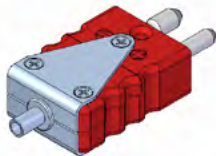
- Brass nickel plated



- Stainless steel crimp/braze adapter



- L-Bracket crimp-adapter

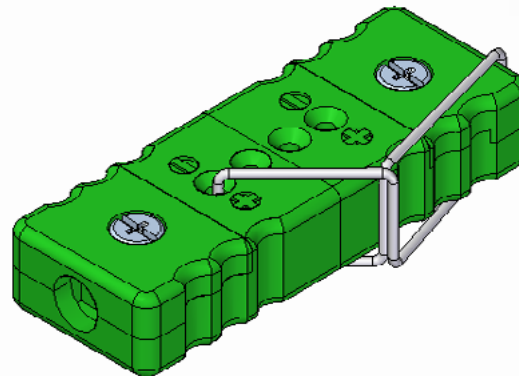




# Standard Accessories

## Locking clip

- Prevents accidental disconnection
- Stainless steel clip
- Easy to fix on connector

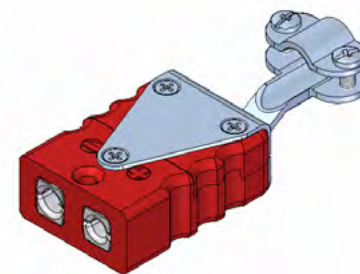




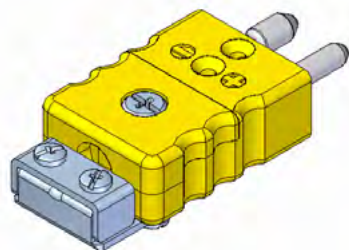
# Standard Accessories

## Wire clamp bracket

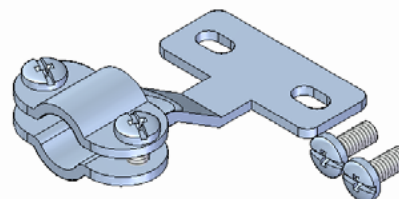
- Provides optimum strain relief
- All stainless steel
- Available for all standard connectors
- Compact version for small wire diameters



Ultra High Temp  
wire clamp



Compact wire clamp



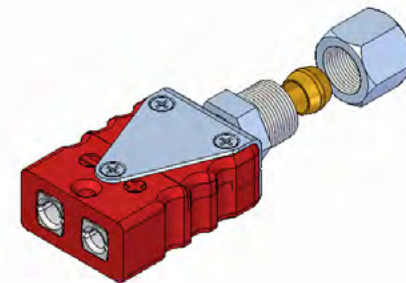
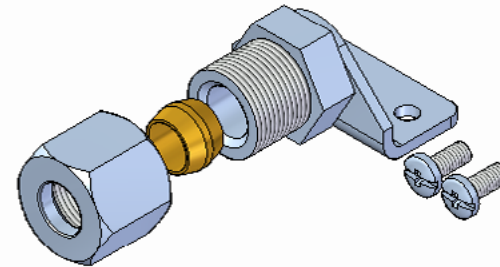
Standard wire clamp



# Standard Accessories

## Tube adapter

- Stainless steel
- 7 sizes
- from 1/16"-1,7 mm
- upto 3/8"-9,5 mm
  
- standard connector
- ultra high temp connector
- ceramic connector







# Standard Accessories

## U-Bracket

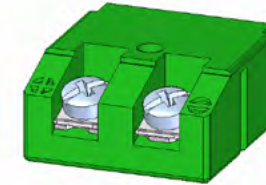
- Connector type:
  - Standard
  - Ceramic
  - Three Pin
- Mounting option:
  - Crimp/Braze tube
  - Tube adapter
  - Wire Clamp



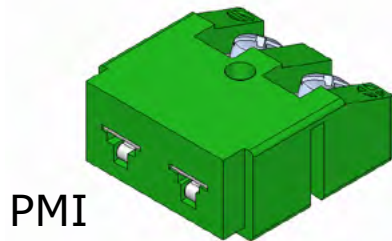
Stainless Steel



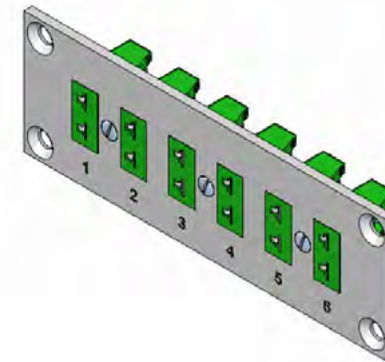
## Panel Insert Mini



- Angled terminal screws for easy access
- Stainless steel screws with combination head (slotted & Phillips)
- Can be used with Hamitherm panel set
- Flat panel surface with 2,5 mm panels
- Can be mounted in custom panel with HT mounting kit
- Temperature rating 200 °C / 400 °F



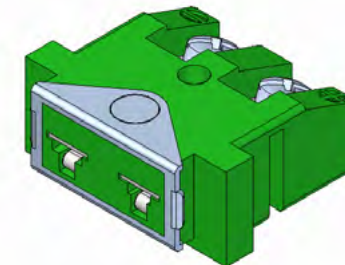
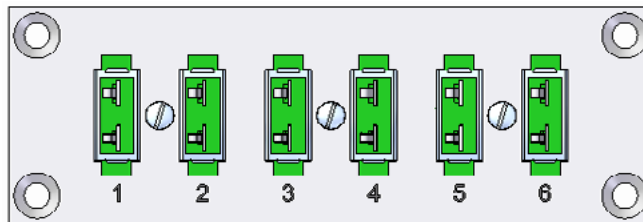
PMI





## Panel Insert Mini Locking

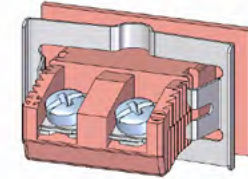
- Prevents accidental disconnection when used with locking plug
- Angled terminal screws for easy access
- Stainless steel screws with combination head (slotted & Phillips)
- Can be used with Hamitherm panel set
- Flat panel surface with 2,5 mm panels
- Temperature rating 200 °C / 400 °F



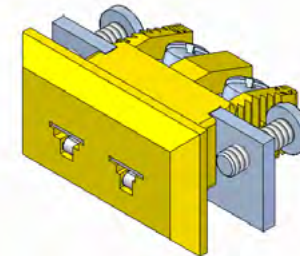
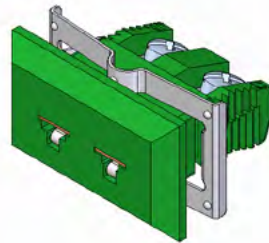
PMLI



## Panel Insert Mini Flanged



- Angled terminal screws for easy access
- Stainless steel screws with combination head (slotted & Phillips)
- Can be used with custom panels
- Mounting behind the panel with stainless steel bracket or spring clip
- Temperature rating 200 °C / 400 °F

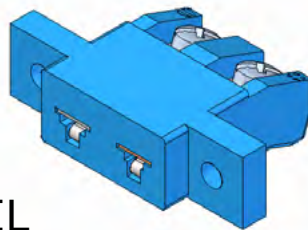
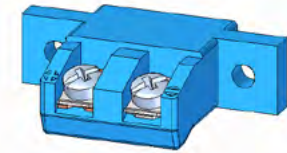


PMIFB

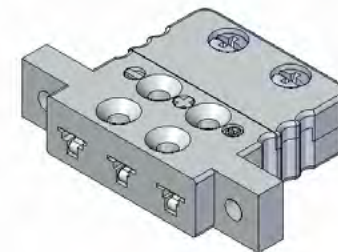


## Panel Insert Mini Lugged

- Angled terminal screws for easy access
- Stainless steel screws with combination head (slotted & Phillips)
- Can be used with custom panels
- Mounting by means of 2 screws
- 3 Pin version has a cover mounted
- Temperature rating 200 °C / 400 °F



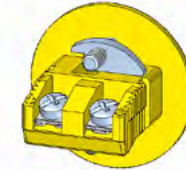
PMIL



PMITL

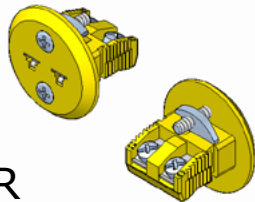


## Panel Insert Mini Round

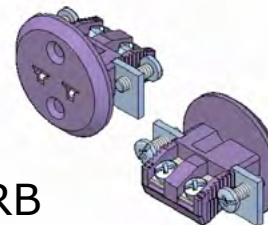


- Angled terminal screws for easy access
- Stainless steel screws with combination head (slotted & Phillips)
- Can be used with custom panels
- Mounting by means of 2 screws at the front, or with stainless steel bracket behind the panel
- Temperature rating 200 °C / 400 °F
- Panel Punch available

PMIR



PMIRB



20.366

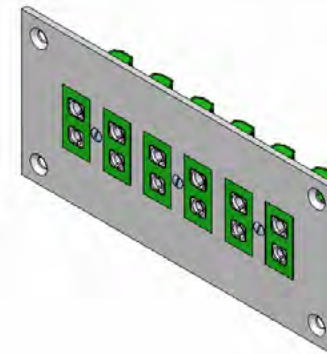
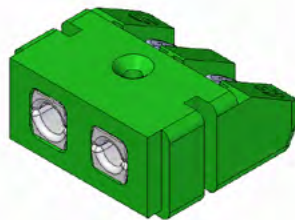


## Panel Insert Standard



- Angled terminal screws for easy access
- Stainless steel screws with combination head (slotted & Phillips)
- Can be used with Hamitherm panel set
- Flat panel surface with 2,5 mm panels
- Can be mounted in custom panel with HT mounting kit
- Temperature rating 200 °C / 400 °F

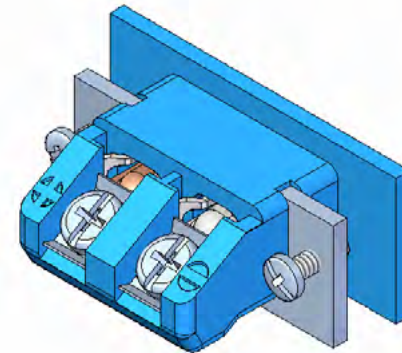
PSI





# Panel Insert Standard Flanged

- Angled terminal screws for easy access
- Stainless steel screws with combination head (slotted & Phillips)
- Can be used with custom panels
- Mounting behind the panel with stainless steel bracket
- Temperature rating 200 °C / 400 °F



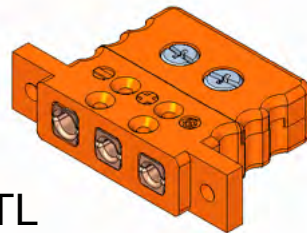
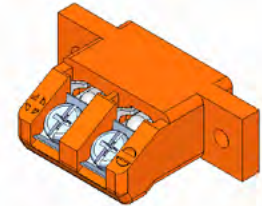
PSIFB



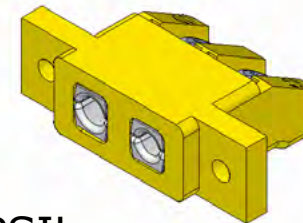


# Panel Insert Standard Lugged

- Angled terminal screws for easy access
- Stainless steel screws with combination head (slotted & Phillips)
- Can be used with custom panels
- Mounting by means of 2 screws
- 3 Pin version has a cover mounted
- Temperature rating 200 °C / 400 °F



PSITL



PSIL

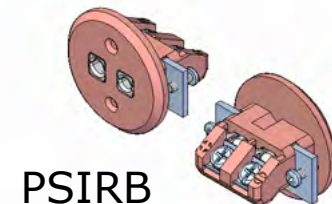


# Panel Insert Standard Round

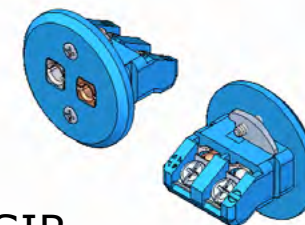
- Angled terminal screws for easy access
- Stainless steel screws with combination head (slotted & Phillips)
- Can be used with custom panels
- Mounting by means of 2 screws at the front, or with stainless steel bracket behind the panel
- Temperature rating 200 °C / 400 °F
- Panel Punch available



20.367



PSIRB



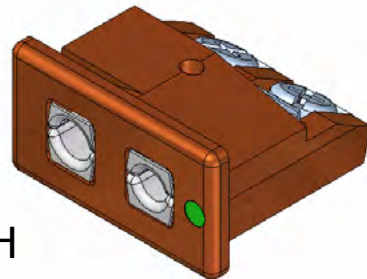
PSIR



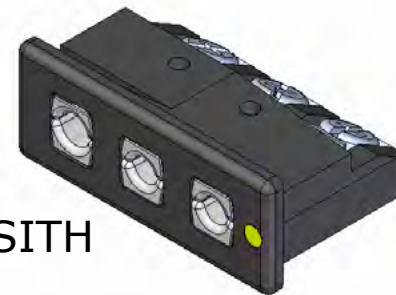
# Panel Insert Standard

## High Temp

- Angled terminal screws for easy access
- Stainless steel screws with combination head (slotted & Phillips)
- Can be used with Hamitherm panels
- Temperature rating 350 °C / 650 °F
- Available in 2-pin and 3-pin version



PSIH

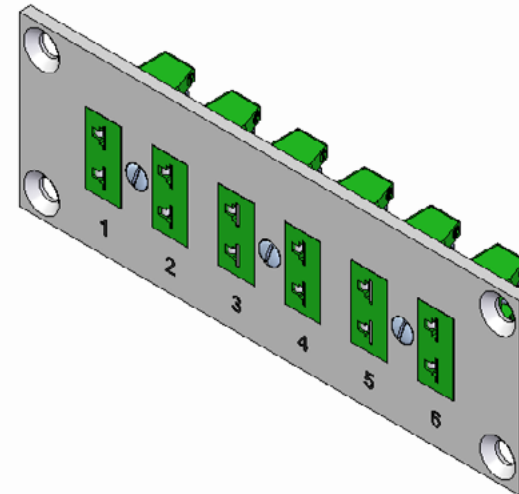
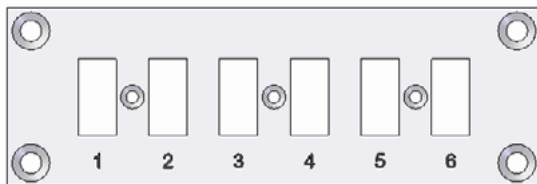


PSITH



# Panel Mini

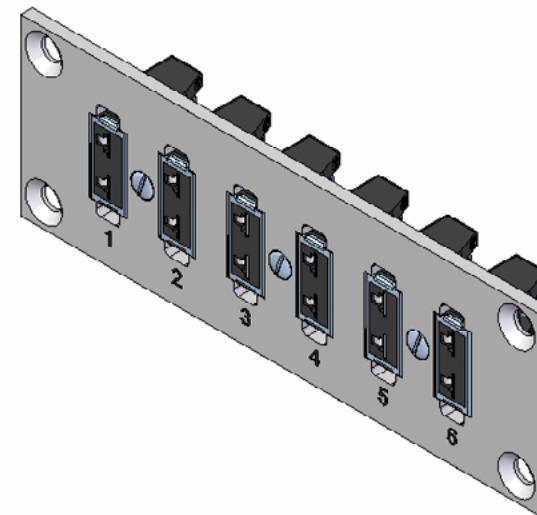
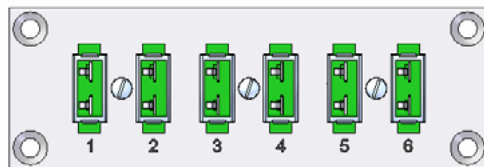
- Available as panel set or assembled panel
- Horizontal from 1 up to 24 circuits
- Temperature rating 200 °C / 400 °F
- Aluminum front panel
- Flat surface





## Panel Mini Locking

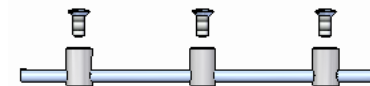
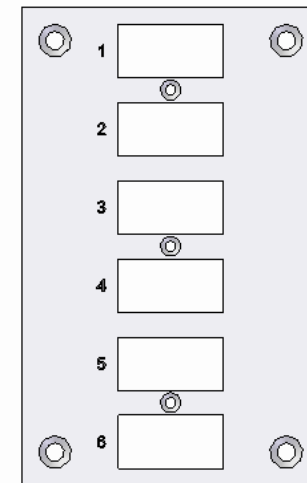
- Available as panel set or assembled panel
- Horizontal from 1 up to 24 circuits
- Temperature rating 200 °C / 400 °F
- Aluminum front panel
- Flat surface





# Panel Standard

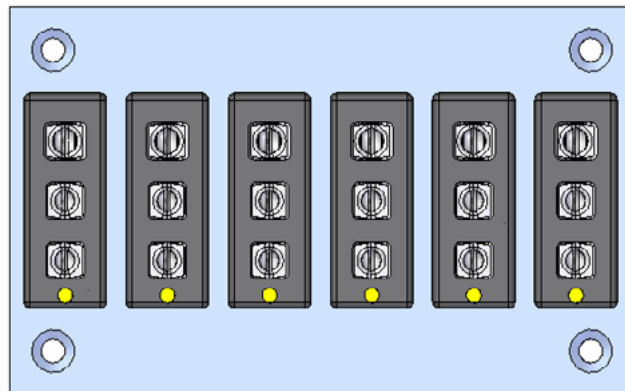
- Available as panel set or assembled panel
- Horizontal from 1 up to 24 circuits
- Vertical from 1 up to 6 circuits
- Temperature rating 200 °C / 400 °F
- Aluminum front panel
- Flat surface





# Panel Standard High Temp

- 1 up to 6 circuits
- Temperature rating 350 °C / 650 °F
- Stainless Steel front panel
- Available in 2-pin and 3-pin

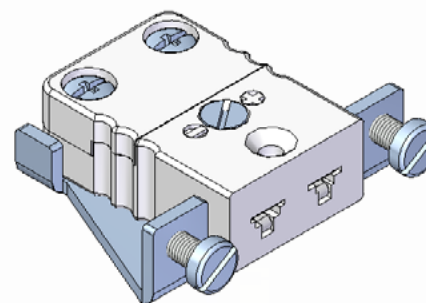
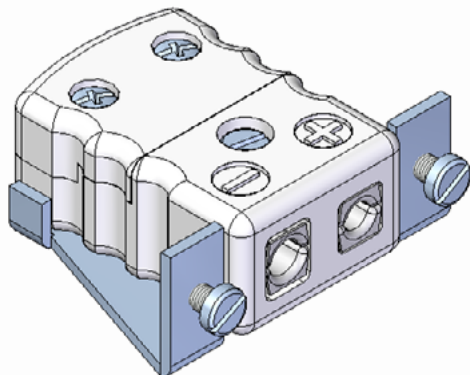
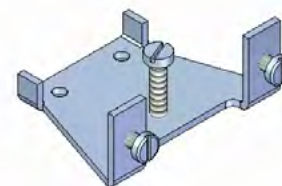




# Panel Accessories

## Panel Bracket

- Fits on high temp or ceramic connector
- Available for mini and standard
- Can be used to mount high temp or ceramic connectors in custom panels







## M8-M12 Connector

- According to IEC 61076-2-101
- 4 pins, male, female and panel version
- IP-67
- M8 or M12 locking thread
- Gold plated brass pins
- Temperature rating -25 up to 90°C /  
-30 up to 195 °F
- Soldering contacts



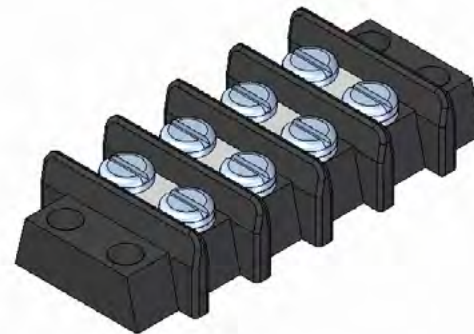


---

# Terminals

## Barrier Terminal Block

- From 1 up to 10 circuits
- Available in Type J, K, T, E, R/S, U and N
- Temperature rating 200 °C / 400 °F
- Terminals stamped with material identification
- Can be used with HT terminal lugs

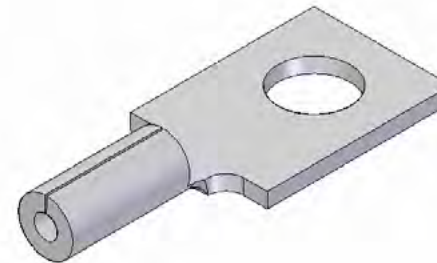
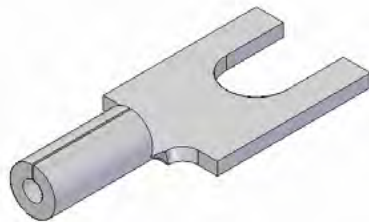




# Terminals

## Terminal Lugs

- Termination for T/C wire
- Available in spade- and ring-lug
- Type J, K, T, E, R/S, U
- Type N only as spade lug

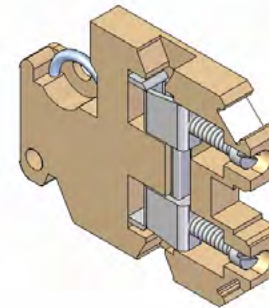




# Terminals

## Rail Terminal Block

- Terminal width only 5 mm
- Available in Type J, K, T, E, R/S and U
- Temperature rating 100 °C / 200 °F
- Mounting kit available:
  - Rail 200 mm long
  - End plate
  - 2 end stops
  - Identification 1 - 25

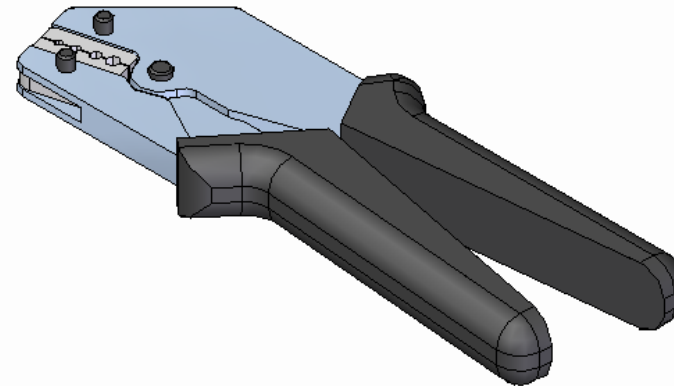




# Tools

## Crimptool

- Solid handtool
- Suitable for HT crimpinserts 2,4 - 3,2 - 4,3 - 4,5 and 5,8 mm OD





---

# Tools

## Panel Punch

- To make a round panel cut-out
- Punch splits slugs for easy removal
- 17,5 mm for PMIR
- 27 mm for PSIR

