

RCBS®

HAND PRIMING TOOL



Patent #5,435,223

PRODUCT INSTRUCTIONS

IMPORTANT

Before using the RCBS Hand Priming Tool read this instruction sheet carefully to learn how to safely operate the tool. Failure to properly operate this product can result in severe personal injury and/or equipment damage. This instruction sheet contains specific safety and operating information. It should be considered a permanent part of your reloading equipment and remain with the equipment at all times for easy reference. Call us if you have any questions at any time while assembling or operating this tool.

SAFETY

Reloading is an enjoyable and rewarding hobby that is easily conducted with safety. But carelessness or negligence can make reloading hazardous. This product has been designed from the beginning with the user's safety in mind.

As with any reloading operation, some safety rules must be followed. By observing these few rules, the chance of a hazardous occurrence causing damage or injury becomes extremely remote.

GENERAL

- Use the reloading equipment as the manufacturer recommends.
- Study the instructions carefully and become thoroughly familiar with the operation of the product. Don't take short cuts.
- Observe "good housekeeping" in the reloading area. Keep tools and components neat, clean and orderly. Promptly and completely clean up primer and powder spills.
- Reload only when you can give your undivided attention. Do not reload when fatigued or ill. Develop a reloading routine to avoid mistakes. Avoid haste - load at a leisurely pace.
- Always wear adequate eye protection. You assume unnecessary risk when reloading without wearing safety glasses.

LOADING DATA

- Use only laboratory tested reloading data. We highly recommend the use of the SPEER Reloading Manual.
- **OBSERVE ALL WARNINGS ABOUT THE USE OF MAXIMUM LISTED LOADS.**

PRIMERS AND POWDER

- **WARNING:** Primers are designed to explode and will do so when subjected to heat or percussion.
- Do not decap live primers.
- Never attempt to seat or reseat a primer in a loaded round.
- Store primers and powder beyond the reach of children and away from heat, dampness, open flames and electrical equipment.
- **DO NOT** use primers of unknown identity. Scrap unknown primers in accordance with applicable regulations.
- Keep primers in original factory container until ready to use. Return unused primers to the same factory packaging for safety and to preserve their identity.
- **DO NOT** store primers in bulk. The blast of just a few hundred primers is sufficient to cause serious injury to anyone nearby.
- **DO NOT** force primers. Use care in handling primers.
- **DO NOT** use any powder unless its identity is positively known. Discard all mixed powders and those of uncertain or unknown identity.
- If you use a powder measure, replace the lids on both the powder hopper and powder can after the powder hopper has been filled.
- Before charging cases, settle the powder in the powder hopper. Throw and check the weight of at least ten charges. This will assure you that the correct powder charge is being thrown.
- After a reloading session ends, pour the remaining powder back in its original factory container. This will preserve the identity and shelf life of the powder.
- **DO NOT** smoke while handling powder or primers.

RECORD KEEPING

- Keep complete records of reloads. Apply a descriptive label to each box showing the date produced, and the primer, powder and bullet used. Labels for this purpose are packed with SPEER bullets.

Since RCBS has no control over the choice of components, the manner in which they are assembled, the use of this product, or the guns in which the resulting ammunition may be used, no responsibility, either expressed or implied, is assumed for the use of ammunition reloaded with this product.

GENERAL INFORMATION

The Hand Priming Tool from RCBS is the safest priming tool you can get your hand on. Its most important feature is the exclusive safety gate mechanism which isolates the primer seating operation from the primer supply. The gate is an essential safety mechanism and is designed to eliminate the possibility of a primer tray detonation caused by an improperly seated primer propagating or “flashing back” into the tray of primers. The gate will cause a small amount of inconvenience when changing shell holders but it is an essential part of the tool. **DO NOT UNDER ANY CIRCUMSTANCE** attempt to operate the tool without the safety gate in position or attempt to modify the tool in any way. Primer rods and primer feeds for large and small primers are provided and are easily interchanged. Other features include:

- A primer feeding system that requires no hand contact with primers.
 - A detachable 100-count primer tray that is “grooved” to position primers anvil-side-up.
 - A die cast body designed to fit comfortably in the palm of your hand.
 - Uses standard RCBS shell holders manufactured after 1980 - the same ones used on RCBS presses. This eliminates the cost and hassle of buying extra equipment.
 - Covered by our lifetime guarantee.
- Unpack the Hand Priming Tool carefully. Look for and identify the following items:
- Hand Priming Tool with large primer feed installed
 - Green plastic primer tray with clear plastic lid
 - Plastic bag with the following parts: Small Primer Feed, Small and Large Primer Rods.

Refer to the parts list at the end of these instructions for part numbers and descriptions.

TO USE

The Hand Priming Tool has been assembled and shipped with the large primer feed in position. The small primer feed can be located in the parts bag. Each primer feed is identified with an “L” or an “S” for large or small primers. Also, the large and small primer feeds are each a different color. The large primer feed is black and the small primer feed is white.

Before the Hand Priming Tool can be used, the appropriate shell holder must be installed on top of the primer feed and the large or small primer rod dropped into the body of the priming tool. To do this, follow these simple steps:

Grip the priming tool in your hand and gently squeeze the handle. Loosen the safety gate screw on the handle and pull the safety gate out of the tool. Be sure to keep the handle compressed. If you release the tension on the handle without the safety gate in position, the tool will open too far and the internal parts will need to be realigned. This is a safety feature so the tool cannot be used without the safety gate in place.

Now slide the primer feed to the side and out of the tool. Place the appropriate shell holder on top of the primer feed and slide the unit back into the priming tool body. See Photo #1. Replace the

safety gate and tighten the safety gate screw. See Photo #2 and Photo #3. The safety gate screw can be attached from either the left or right side of the tool, whichever is more convenient. Next, select the appropriate size primer rod and drop it down through the shell holder and into the body

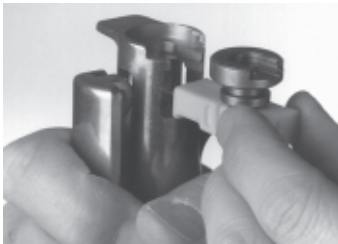


Photo #1



Photo #2

of the priming tool. **MAKE SURE THE FLAT SURFACE ON THE PRIMER ROD IS UP AND THE ROUNDED END IS DOWN. SEE PHOTO #4.** IF THE ROD IS INSTALLED WITH THE ROUNDED END UP, A PRIMER MAY DISCHARGE AS IT IS SEATED. The rod is easy to install but it will also easily fall out if the tool is turned upside down.



Photo #3



Photo #4

The next step is to install the primer tray. At some point, primers will need to be loaded into the tray. This can be done before or after the tray is attached to the priming tool. The following instructions are for loading the tray with primers before the tray is attached to the tool.

First, remove the clear plastic lid from the primer tray and scatter some primers onto the grooved surface of the green tray. Gently shake the green tray from side to side and the primers will “flip over” and be positioned anvil side up for feeding into the Hand Priming Tool. Replace the clear plastic lid and install the primer tray into the primer feed on the tool. See Photo #5. You’ll notice there is a “notch” cut into the lid that fits over the portion of the tray that funnels the primers into the primer feed. By turning the lid you can either start or stop the flow of primers into the primer



Photo #5



Photo #6

feed. Photo #6 shows the primer tray lid is in a position to stop the flow of primers. Photo #7 shows the primer tray is in an open position to allow primers into the primer feed.

The tool is now ready to be used. To prime cases, hold the Hand Priming Tool comfortably in your hand, tilt the tool to cause a primer to enter the primer feed and insert an unprimed case into the shell holder. See Photo #8. With steady, gentle pressure, slowly squeeze the handle until you feel the primer seated to the bottom of the primer pocket. With a little practice you'll soon appreciate the sensitive "feel" of the Hand Priming Tool. Release the handle and remove the primed case from the shell holder. Check the seated depth of the primer. If you encounter any unexpected resistance during seating, STOP! Discontinue priming until the problem is found and corrected.



Photo #7



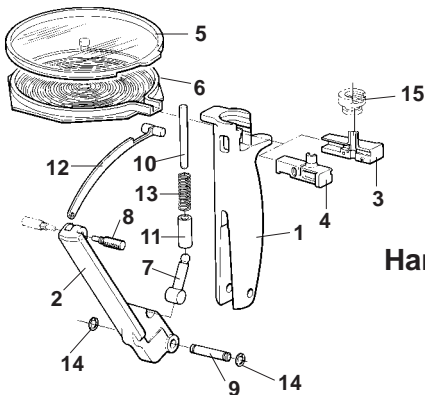
Photo #8

PRIMER SEATING DEPTH

During priming, check cases occasionally to be sure the primers are seated to the bottom of the primer pocket. Correct seating depth is .003 inches to .005 inches below the case head. The base of a correctly primed case will sit flat when placed on a level surface. If it rocks, the primer needs to be seated deeper. **DO NOT UNDER ANY CIRCUMSTANCE** attempt to reseat high primers in completed cartridges (a case with the primer, powder and bullet in place). Pull the bullet, dump the powder and then seat the primer to the correct depth.

CARE AND MAINTENANCE

Clean the primer tray and dispensers every 500 rounds to prevent the build-up of primer dust. Occasionally lubricate the pivot link assembly with a drop of light oil. Remember, oil will contaminate primers and cause misfires. Avoid using too much lubricant on the tool. If you need additional help or replacement parts, call RCBS.



Hand Priming Tool Parts List

<u>KEY</u>	<u>PART #</u>	<u>DESCRIPTION</u>
1	7-90201	Hand Priming Tool Body
2	7-90202	Handle
3	1-90203	Primer Feed, Large, Right Half
3	1-90205	Primer Feed, Small, Right Half
4	1-90204	Primer Feed, Large, Left Half
4	1-90206	Primer Feed, Small, Left Half
5	1-90207	Primer Tray Lid
6	1-90208	Primer Tray
7	7-90220	Pivot Link Assembly
8	7-90211	Safety Gate Screw
9	7-90212	Handle Pin
10	7-90213	Primer Rod, Small
10	7-90214	Primer Rod, Large
11	7-90215	Link Follower
12	1-90221	Safety Gate Assembly
13	1-90217	Return Spring
14	1-87670	Retaining Ring (2)
15	—	Shell Holder (Not Supplied)

RCBS

PRECISIONEERED® RELOADING EQUIPMENT

*We think that we make the very best
reloading equipment in the world.*

If you agree, please tell your friends.

If you disagree, tell us - we want to do something about it!

Customer Service

1-800-533-5000 (US or Canada) or 530-533-5191

Hours: Monday - Thursday, 6:30am - 3:00pm (hours may vary)

e-mail: rcbs.tech@atk.com • www.rcbs.com

RCBS • 605 Oro Dam Blvd. • Oroville, CA 95965

CCI • SPEER • RCBS
OUTERS • RAMLINE • ORBEX • FEDERAL