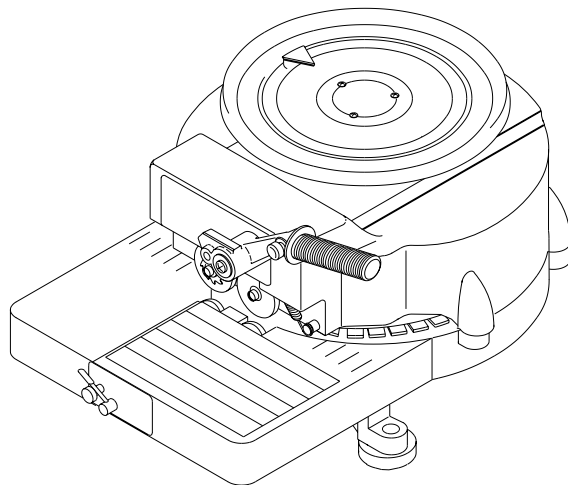


# MARSH<sup>®</sup>

## Hand Stencil Machine Owner's Manual



**Manuel d'utilisation de la  
découpeuse de pochoirs manuelle**

**Manual del propietario de la máquina  
cortadora de estarcidos de operación manual**

## **Table of Contents**

Introduction . . . . .	3
Installation . . . . .	5
Operation . . . . .	7
Maintenance . . . . .	11
Troubleshooting . . . . .	14
Repair . . . . .	21
Parts List . . . . .	32
Index . . . . .	52

## **Table des matières**

Introduction . . . . .	2
Installation . . . . .	4
Fonctionnement . . . . .	6
Entretien . . . . .	10
Dépannage . . . . .	16
Réparations . . . . .	20
Liste des pièces de rechange . . . . .	32
Index . . . . .	53

## **Indice**

Introducción . . . . .	2
Instalación . . . . .	4
Operación . . . . .	6
Mantenimiento . . . . .	10
Localización y corrección de fallas . . . . .	18
Reparación . . . . .	20
Lista de repuestos . . . . .	32
Indice . . . . .	54

# Introduction

---

## **The Hand Stencil Machine Owner's Manual**

This Marsh Hand Stencil Machine Owner's Manual provides operation and maintenance instructions for all R, H, Q, and S models. These models include the R, R-5, R-5-SPAN-N, R-RUSSIAN, R-SPAN-N, H, H-POLY, H-RUSSIAN, H-SPAN-N, Q, Q-POLY, Q-SPAN-N, S, S-5, S-5-SPAN-N, S-RUSSIAN and S-SPAN-N. Marsh manufactures stencil machines that cut 1/4" (6.35 mm), 1/2" (12.7 mm), 3/4" (19.05 mm) and 1" (25.4 mm) characters. Your stencil machine will cut neat, precisely spaced characters in oilboard, which may then be inked with Marsh Fountain Rollers, Fountain Brushes, Spray Inks, K Stencil Inks, Rolmark and Poly Rolmark inks. Inked stencil boards can be used to mark on plastic, fiber cartons, or metal and wood containers. To order replacement parts, please refer to the Parts List section in this manual.

For more assistance, or if you would like to obtain information about any Marsh product, please contact your Marsh distributor or Marsh Company at:

707 East B Street	Telephone: (618) 234-1122
Belleville, Illinois	(800) 851-3441
62222 U.S.A.	Fax: (618) 234-1529

# Installation

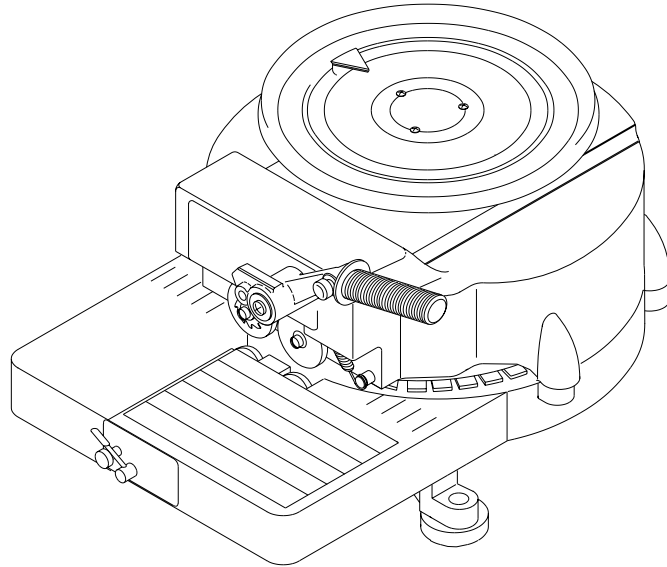
---

## Introduction

Your stencil machine is fully assembled and packed safely in a shipping carton. No assembly is necessary after you unpack your machine.

Choose a location for the machine that is solid and about 30" (762 mm) high. The front of the bench or shelf should extend about 1" (25.4 mm) past the front of the machine so that it remains level and secure.

**Figure A**  
**Figura A**



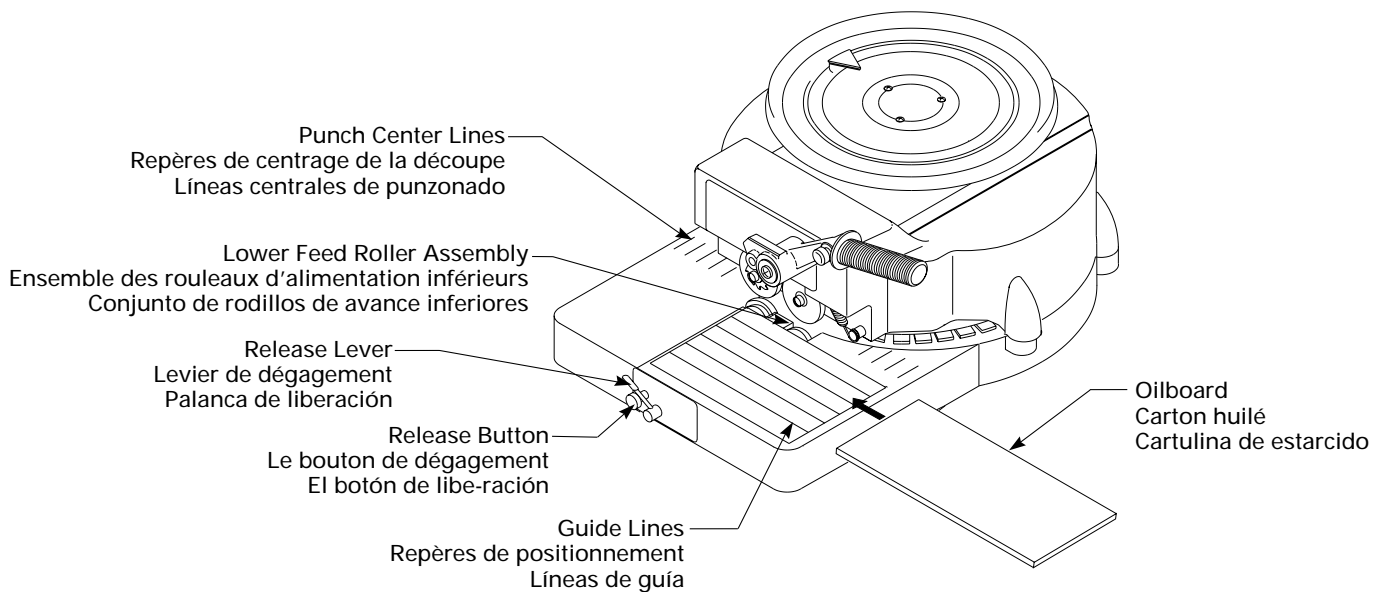
# Operation

## Inserting the Stencil Board

Natural oil board, with a thickness of .015" (0.38 mm), is recommended for use with 1" (25.4 mm), 3/4" (19.05 mm), and 1/2" (12.7 mm) machines and for use with Marsh Fountain Roller, Fountain Brush or Spray Inks. Use Lightweight oil board .007" (0.18 mm) with 1/4" (6.35 mm) machines. For information on Marsh inks, please call your Marsh distributor or Marsh Company and order the Marsh Inks Technical Information Catalog (part number P-2920). To insert the oilboard, refer to the following steps and Figure B.

1. Move the release lever to the right. This drops the lower feed roller assembly and allows space for the insertion of the oilboard.
2. Position the oilboard so that the top edge covers the punch center lines and then align the bottom edge of the oilboard with the appropriate guide line. See Figure B. The left edge of the oilboard may align with the left side of the guide line markings. If you need a wider left margin you may align the left edge of the oilboard with one of the punch center lines. See Figure B.
3. When the oilboard is in position, push the release button. The release lever snaps back to its original position and raises the lower feed rollers to secure the stencil board.

**Figure B**  
**Figura B**



# Operation

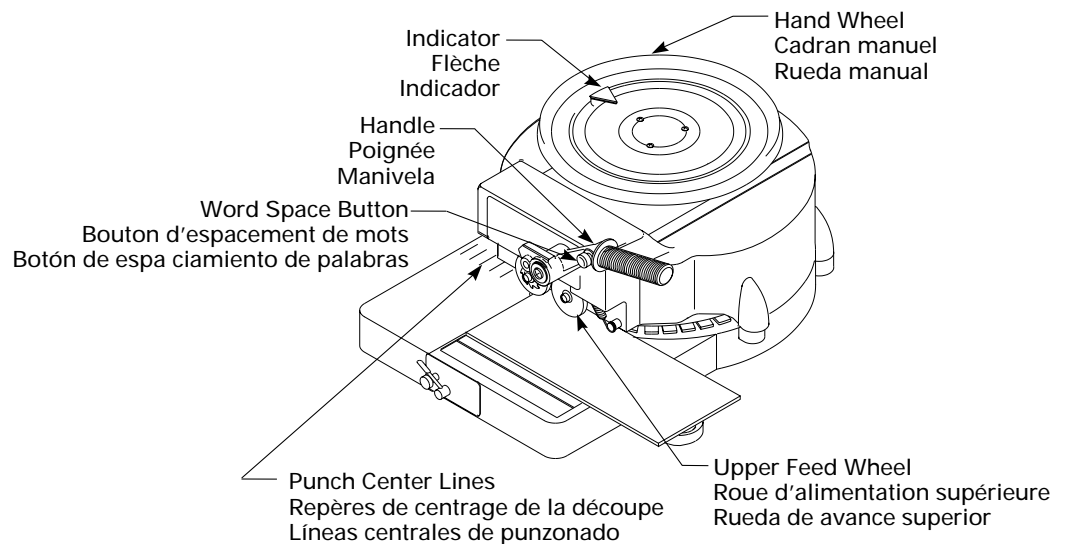
---

## Cutting the Oilboard

To cut and space characters follow the steps below and refer to Figure C.

1. Move the hand wheel and align the indicator with the desired character.
2. When the indicator is aligned, push the handle down.
3. To create a space between words, press the word space button on the handle as you push down. See Figure C.
4. When a line of stenciling is complete, swing the release lever to the right to release the lower feed rollers.
5. Align the oilboard in the starting position. Advance the top of the oilboard into the machine and align the bottom of the oilboard with an appropriate guide line.

**Figure C**  
**Figura C**



# Maintenance

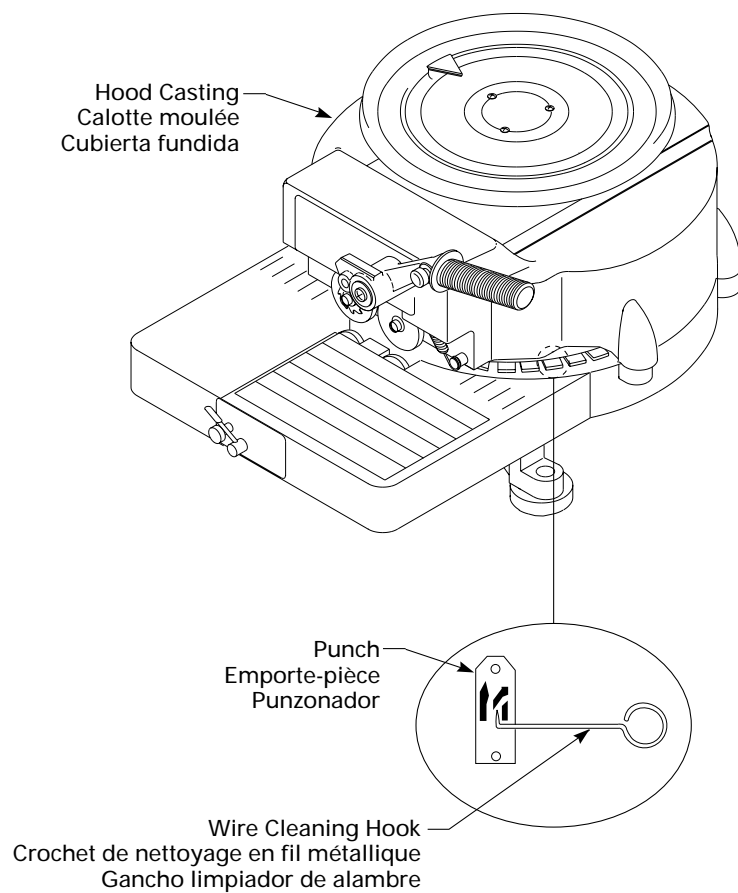
## Cleaning the Punches

As you use your stencil machine, the punches may become clogged with oilboard particles. If these particles prevent the machine from cutting complete characters, the punches need to be cleaned. Follow the step below and refer to Figure D to clean the punches.

*Note: Only clean a punch when the machine is not cutting properly. The lubricants in the oil board also lubricate the punch and die.*

1. Use the wire cleaning hook that is included with the stencil machine to dislodge the paper particles stuck in the raised characters of the punches. The punch is the upper part of the character set and can be reached easily by guiding the hook under the hood casting and scraping the punch. The lower part is the die and does not require cleaning because the punchings fall through the opening in the die.

**Figure D**  
**Figura D**



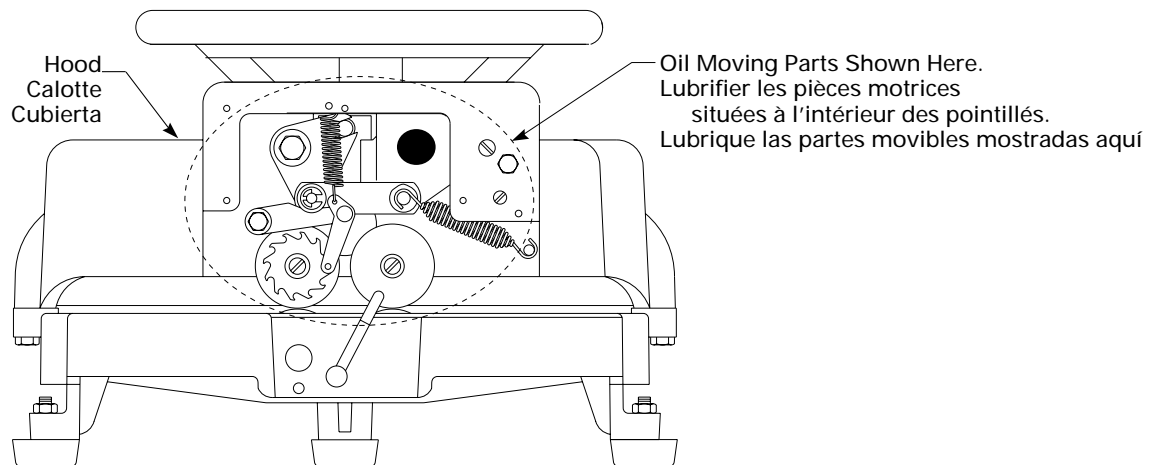
# Maintenance

## Oiling the Machine

The moving parts under the cover plate, the hood casting, and the base plate should be cleaned and greased with a light oil every one to two years. Marsh suggests using Dow Corning 1292 Long Life Bearing Grease. To clean and grease the parts under the cover plate, refer to the following steps and Figure E.

1. Loosen the five screws on the cover plate.
2. Remove the handle screw and washer and pull the cover plate and handle assembly away from the machine and place it to the side.
3. Oil the moving parts under the cover plate.
4. Replace the cover plate and handle assembly by replacing the five screws on the cover plate, the washer and handle screw.

**Figure E**  
**Figura E**





# Troubleshooting

---

This troubleshooting section describes potential problems that you may encounter while working with your hand stencil machine, outlines the possible causes for these problems, and guides you through the corrective actions. Follow the procedures outlined in the Operation and Maintenance sections of this manual to help prevent problems from occurring. For further assistance, please contact your Marsh distributor, or Marsh Company at:

Telephone: (618) 234-1122  
(800) 851-3441

Fax: (618) 234-1529

## **Problem: The oilboard is moving erratically through the machine.**

### *Possible Cause:*

1. There is a build up of heavy oil on the moving parts under the cover plate.
2. The treads on the left feed wheel are dirty.

### *Solution:*

1. Be sure the machine is properly oiled and cleaned every one to two years. See page 13 for information on oiling the parts under the cover plate.
2. Clean the treads on the left feed wheel with a wire brush. See page 21.

## **Problem: The oilboard is moving unevenly through the machine causing the characters to be slanted or crooked.**

### *Possible Cause:*

1. The tracking needs to be adjusted.

### *Solution:*

1. Adjust the tracking on the lower feed roller assembly. See page 23.

## **Problem: The spacing between the characters is uneven.**

### *Possible Cause:*

1. A build up of dirt and/or heavy oil on the left feed wheel may be causing the oil board to slip while moving through the machine, thus causing erratic spacing of the characters.
2. The tension of the stud collar on the eccentric shaft can also affect the spacing if the tension is too tight or too loose.

### *Solution:*

1. Clean the treads on the left feed wheel with a wire brush. See page 21.
2. Be sure the tension of the stud collar is set correctly by following steps 1 through 3 and 9 through 12 on page 29 and 31.

# Troubleshooting

---

## **Problem: The punches are not cutting completely through the oilboard.**

### *Possible Cause:*

1. The punches are clogged with oilboard particles.
2. The punch depth adjustment may need to be increased.
3. If cleaning the punches with the cleaning hook and adjusting the punch depth does not improve the cutting of the characters, the punch and die need to be replaced.

### *Solution:*

1. Clean the punches with the cleaning hook. See page 11.
2. The punch depth adjustment is preset at the factory. Only adjust the punch depth if the punches are not cutting properly after being cleaned with the cleaning hook. To adjust the punch depth, see page 25.
3. Replace the punch and die that is not cutting properly. See page 27.

## **Problem: The lower feed rollers are not gripping the oilboard.**

### *Possible Cause:*

1. The left lower feed roller is catching or not moving smoothly because of wear.

### *Solution:*

1. Replace the lower feed roller assembly. See page 29.

# Repair

This section provides steps that guide you through the repair or replacement of certain parts.

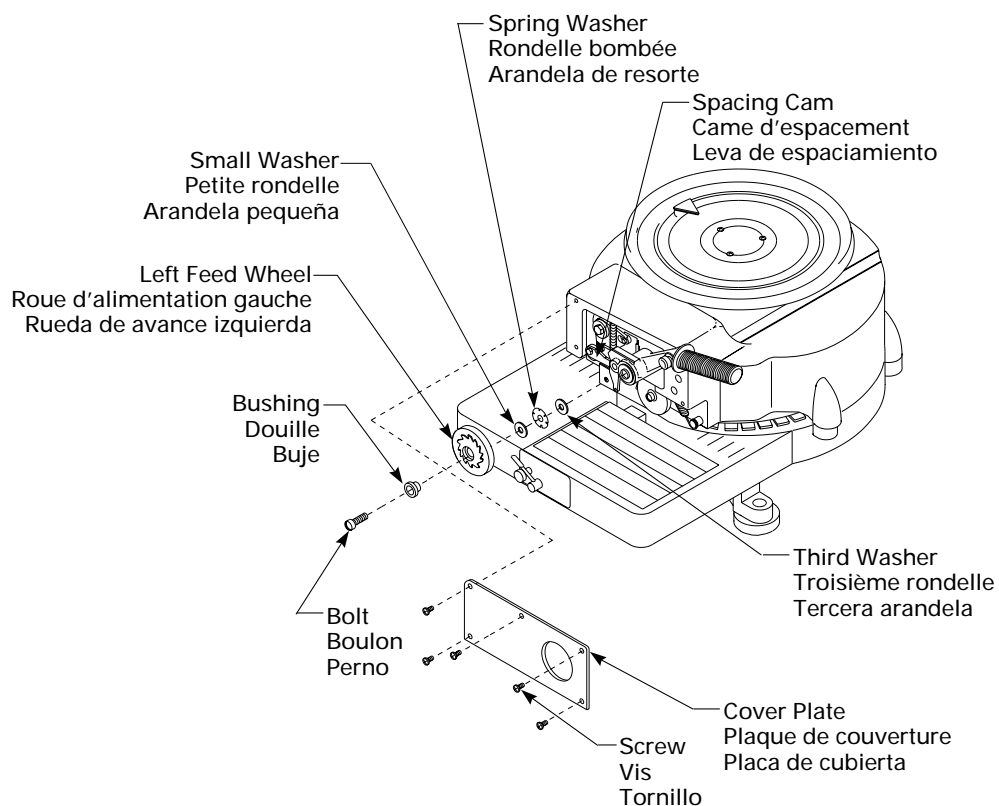
## Cleaning the Treads on the Left Feed Wheel

1. Loosen the bolt on the left feed wheel.
2. Carefully push the spacing cam to the right and remove the left feed wheel. See Figure F.

*Note: Please observe the placement of the washers on the back of the feed wheel because they must be put back in the correct order.*

3. Brush the treads of the feed wheel with a wire brush to remove dirt and particles.
4. Put the washers into place on the back of the feed wheel. The smaller washer is placed directly on the back of the feed wheel and the larger spring washer sits over it with the flat side resting on the feed wheel. The third washer follows the spring washer. See Figure F. The 1" (25.4 mm) machines, have a fourth washer behind the third one.
5. Push the spacing cam to the right and put the feed wheel in place.
6. Tighten the bolt to secure the wheel.

**Figure F**  
**Figura F**

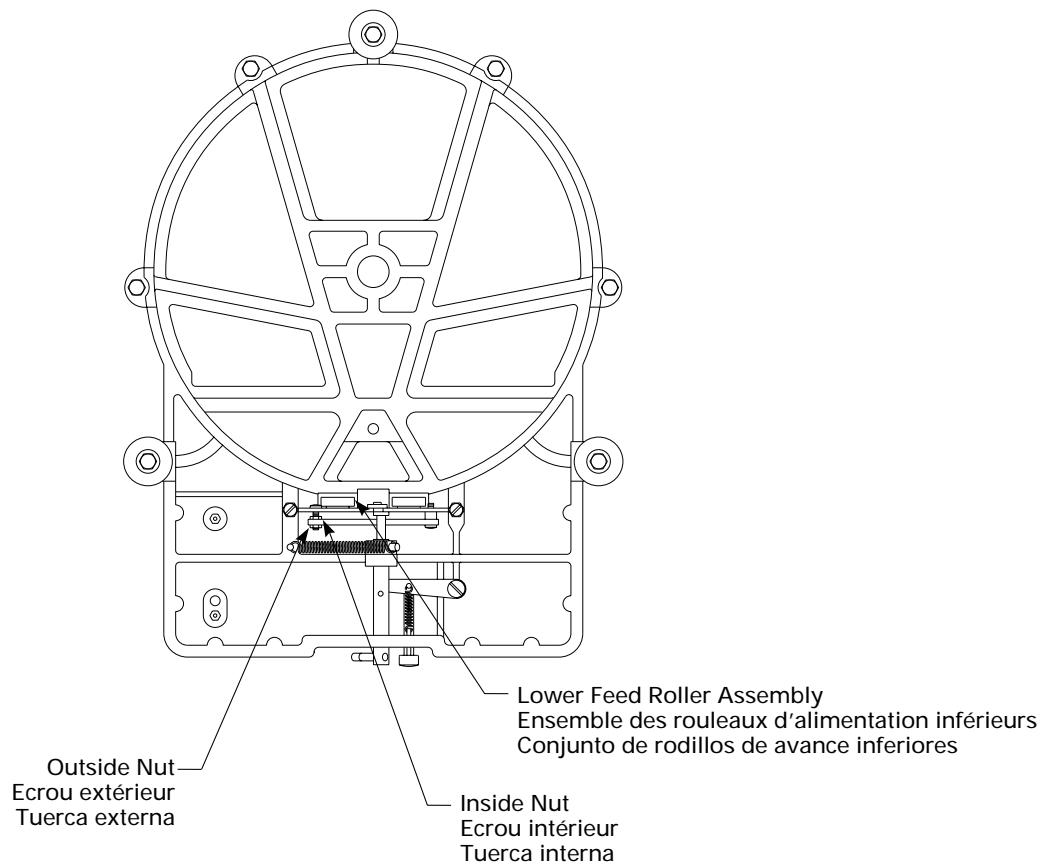


# Repair

## Adjusting the Tracking on the Lower Feed Roller Assembly

1. Turn the machine upside down.
2. To raise the feeding of the oilboard above a guide line, turn the inside nut clockwise. See Figure G.
3. To lower the feeding of the oilboard below a guide line, turn the outside nut counterclockwise. See Figure G.
4. Tighten the opposite nut after making the adjustment, but be careful not to over-tighten it.
5. Feed the oilboard through the machine after each adjustment to test the setting of the nuts.

**Figure G**  
**Figura G**

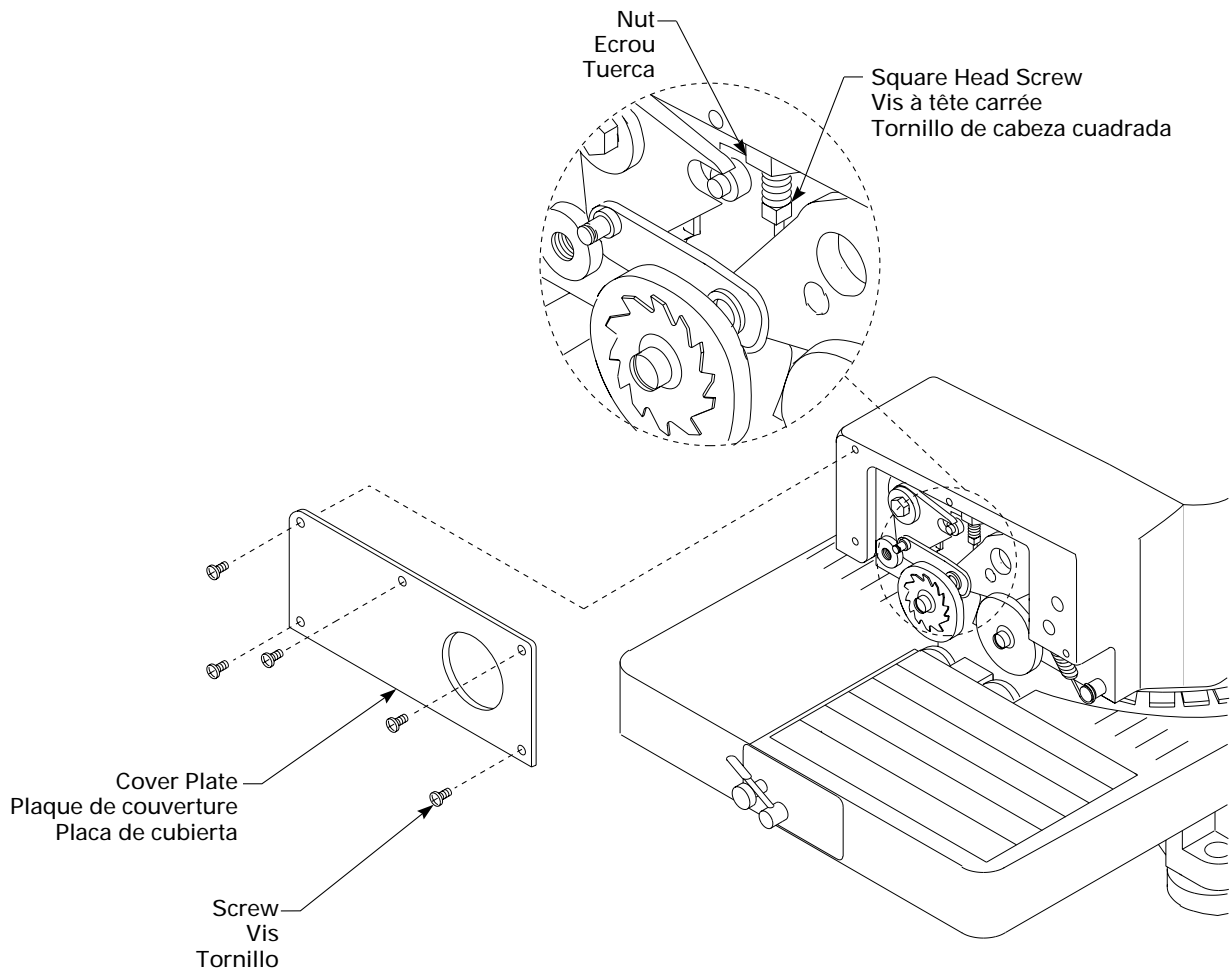


# Repair

## Adjusting the Punch Depth

1. Loosen the five screws on the front cover plate.
2. Remove the handle screw and washer and pull the cover plate and handle assembly away from the machine and place it to the side.
3. Loosen the nut shown in Figure H by turning it clockwise.
4. Adjust the square head screw to the desired position. Only turn the square head screw 1/4 turn at a time. If you want to apply more punch depth, turn the square head screw clockwise to move it up. If you want to apply less punch depth, turn the square head screw counterclockwise to move it down.
5. After the adjustment is made tighten the nut to secure the position of the square head screw.
6. Replace the cover plate and handle assembly by tightening the five cover plate screws, the washer and handle screw.
7. Test the setting of the punch depth after each adjustment by cutting a piece of oilboard.

**Figure H**  
**Figura H**

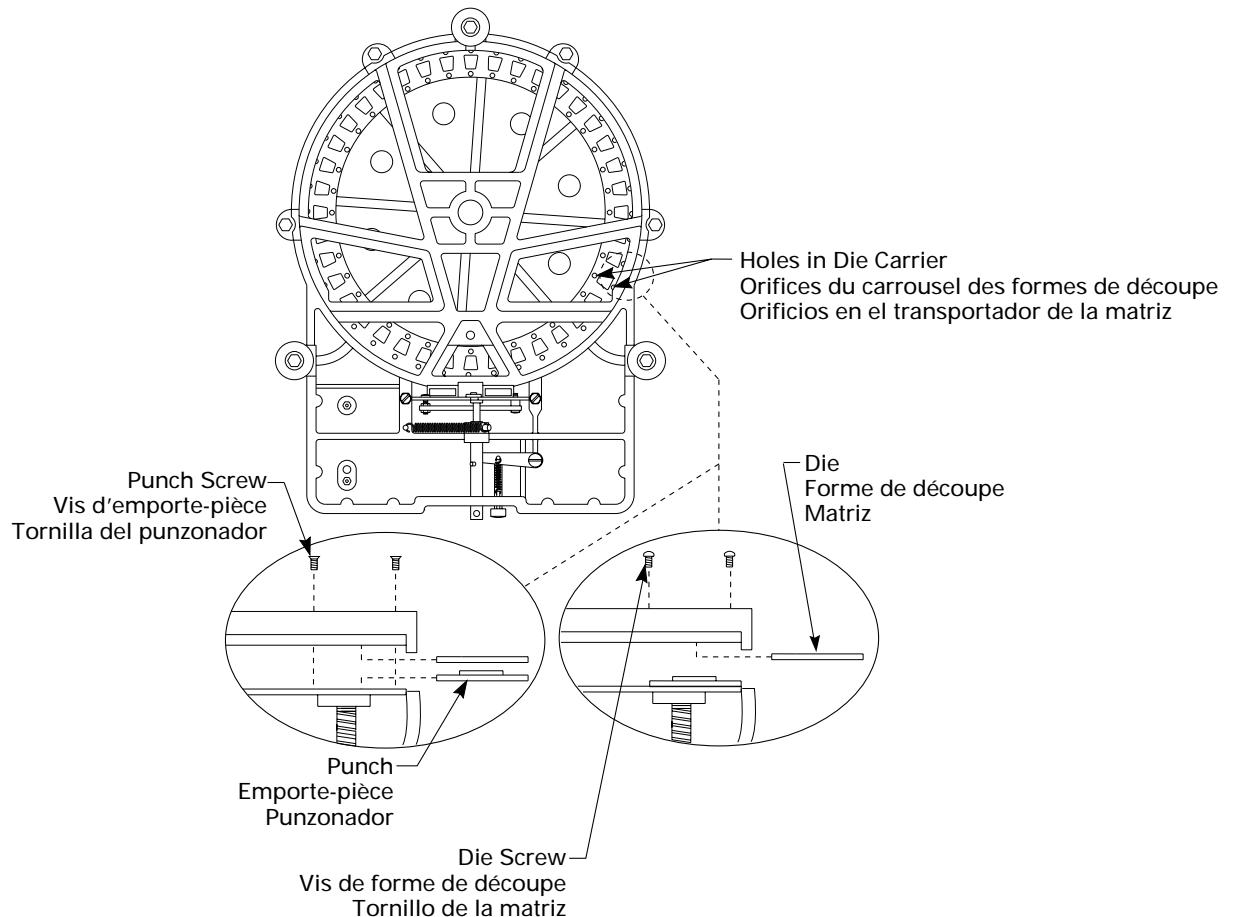


# Repair

## Replacing a Punch and Die

1. Turn the machine upside down.
2. Locate the punch and die that needs to be replaced.
3. Loosen the two screws in the die and remove it. See Figure I.
4. Insert the screw driver through the holes in the die carrier and loosen the two screws in the punch and remove it.
5. Position the new punch with its rounded edge facing the outside of the machine.
6. Replace the two screws on the punch.
7. Carefully position the die on the cut out portion of the punch. The die rests on the punch with its wide edge facing the outside of the machine.
8. Lift the punch and die up against the carrier and hold the punch and die while you replace and tighten the two screws in the die. Tighten each screw a bit at a time to equalize the strain on the die.
9. Separate the punch from the die by taping the punch lightly.
10. Cut a few characters to test the new punch and die.

**Figure I**  
**Figura I**

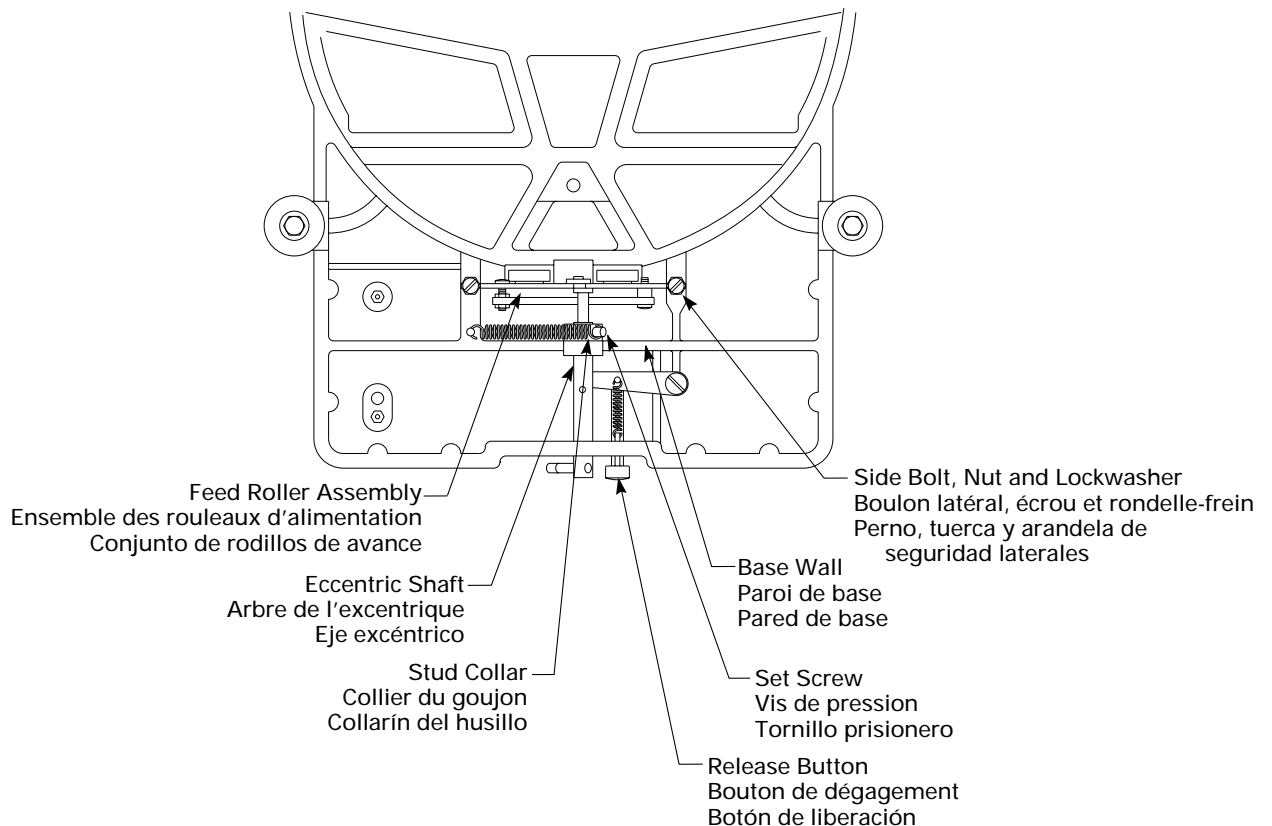


# Repair

## Replacing the Lower Feed Roller Assembly

1. Turn the machine upside down.
2. Press the release button to unlock the lever. See Figure J.
3. Note the position of the set screw for proper reassembly and then loosen the set screw on the stud collar using an allen wrench.
4. Pull the eccentric shaft toward you, removing it from the hole in the feed roller assembly.
5. Remove the two side bolts, nuts and lockwashers on the feed roller assembly. See Figure J.
6. Remove the feed roller assembly and place the new one in position.
7. Replace the two side bolts, nuts and lockwashers to secure the assembly.
8. Push the eccentric shaft back into position so that it is seated in the hole of the feed roller assembly.

**Figure J**  
**Figura J**



## Repair

---

9. Place the stud collar about 1/16" (1.6 mm) from the base wall, but not so close that it rubs against the wall.
10. Insert the allen wrench in the set screw of the stud collar and pull the stud collar and spring to the right. Make sure the eccentric shaft remains inserted in the hole of the feed roller assembly and the collar is flush with the base wall closest to you.
11. When these parts are in position and the tension on the spring is as it is shown in Figure J, tighten the set screw to its original position.
12. Test the play of the eccentric shaft and stud collar by gently pulling on the stud collar. Some movement should be allowed.



**Stencil Machine  
Assembly**

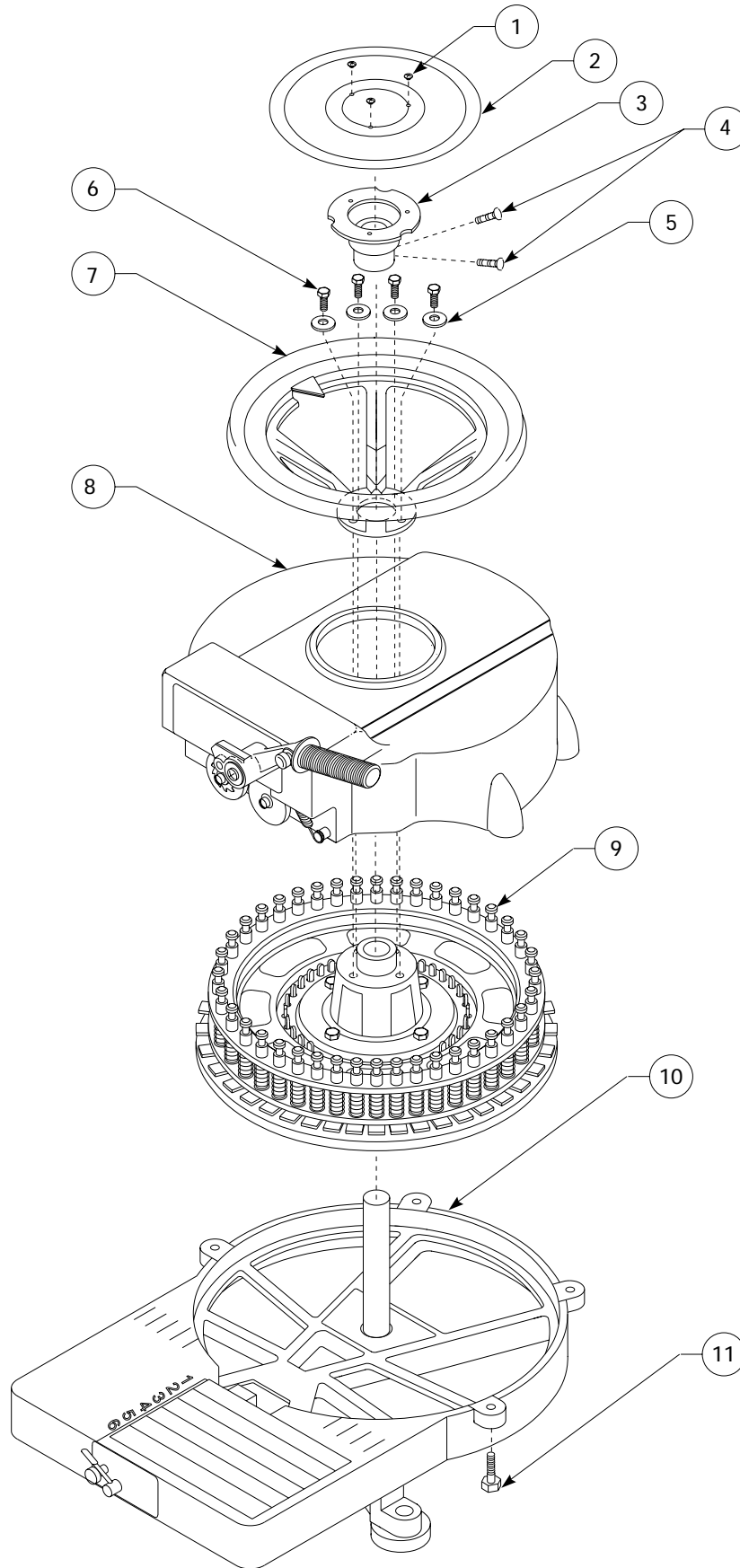
See page 40 for item descriptions and orders numbers.

**Ensemble de  
découpeuse de  
pochoirs**

Voir la page 44 pour la description et le numéro de chaque pièce.

**Ensamblaje de la  
máquina cortadora  
de estarcidos**

Véase la página 48 para obtener las descripciones y el número pedido de las piezas.



**Front Assembly**

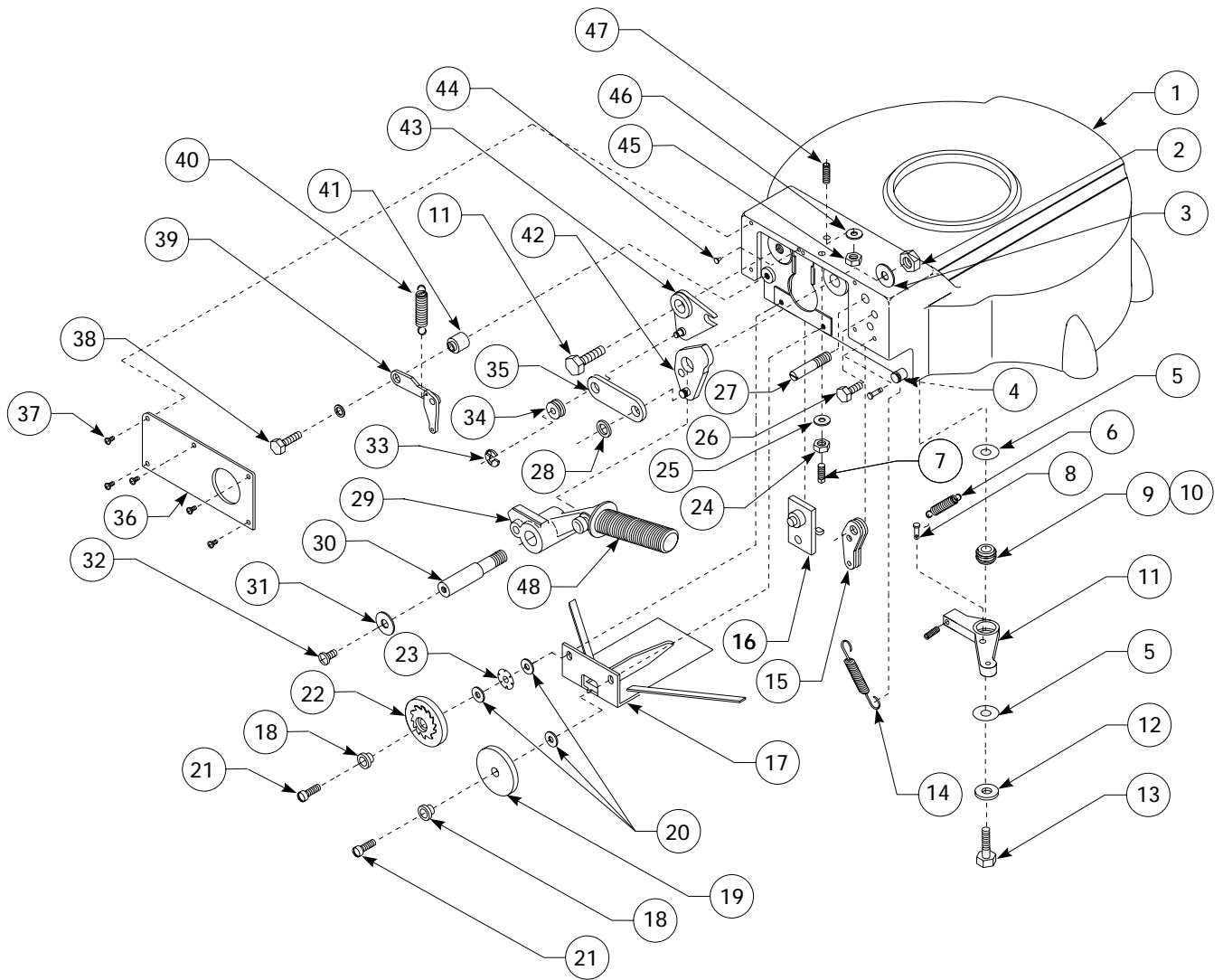
See page 40 for item descriptions and orders numbers.

**Ensemble avant**

Voir la page 44 pour la description et le numéro de chaque pièce.

**Ensamblaje de la  
parte frontal**

Véase la página 48 para obtener las descripciones y el número pedido de las piezas.



**Base Assembly**

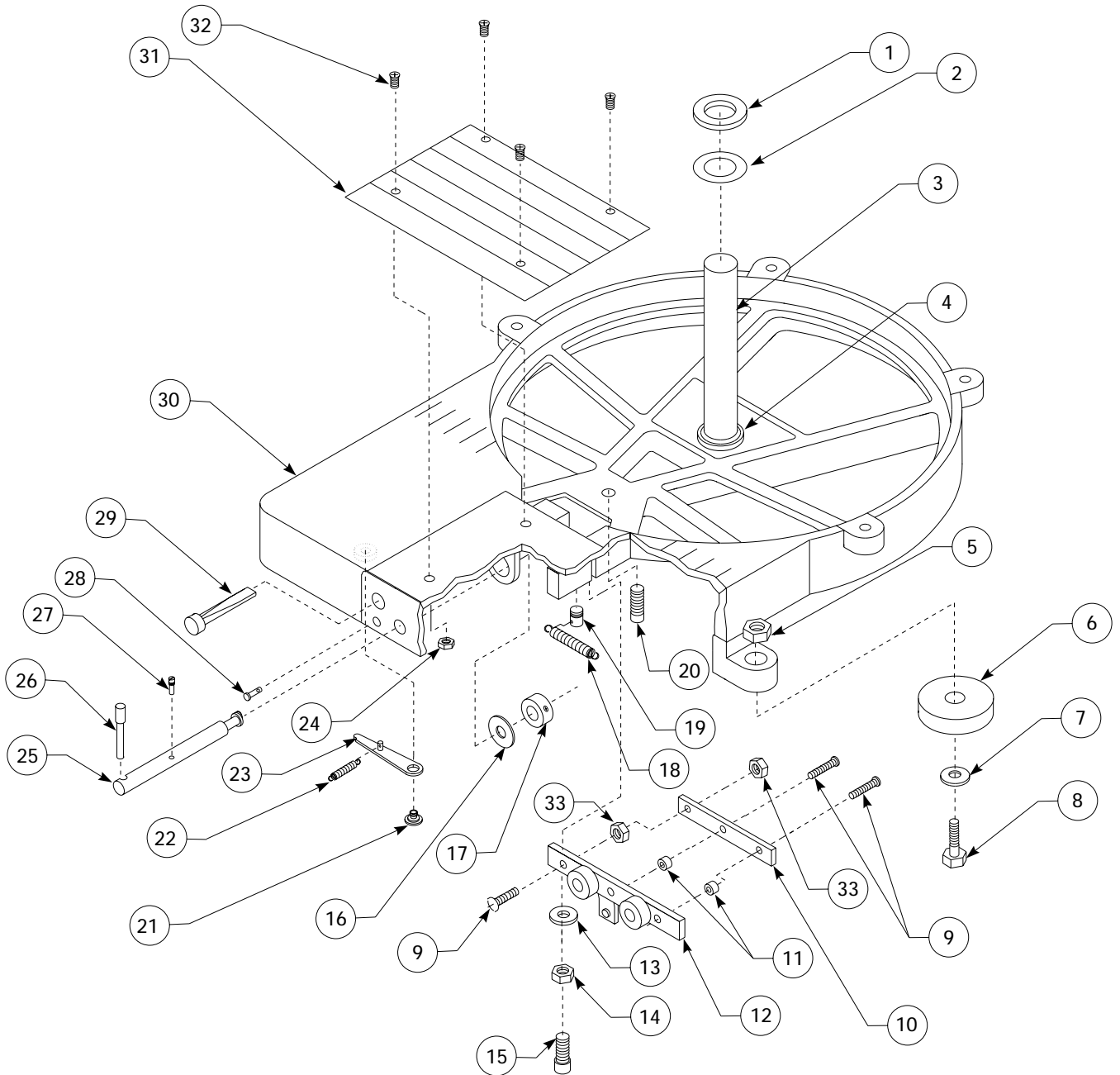
See page 42 for item descriptions and orders numbers.

**Ensemble base**

Voir la page 46 pour la description et le numéro de chaque pièce.

**Ensamblaje de la  
base**

Véase la página 50 para obtener las descripciones y el número pedido de las piezas.



**Carriage Assembly**

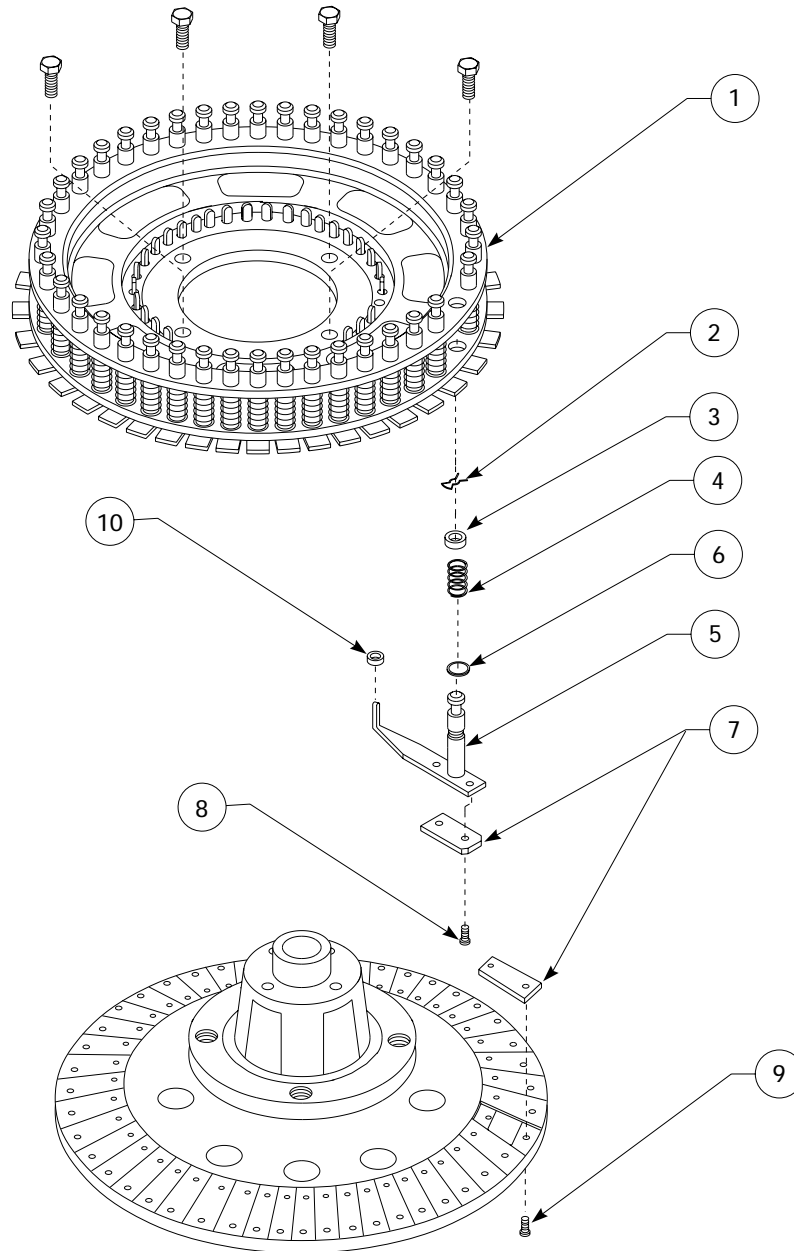
See page 43 for item descriptions and orders numbers.

**Ensemble de  
carrousel**

Voir la page 47 pour la description et le numéro de chaque pièce.

**Conjunto de  
transportación**

Véase la página 51 para obtener las descripciones y el número pedido de las piezas.





## Parts List

---

The following pages show the Hand Stencil Machine and the corresponding numbers for repair parts. Please order your replacement parts by requesting the part number shown. Please also note the quantity provided in each package and the specific part number necessary for your machine.

### **Stencil Machine Assembly, see page 33**

Description	Part Number	Quantity per kit
1. Screw, phillips truss head	RP32A	5
2. Dial blank, manual	RP32	1
3. Holder, dial	RP08	1
4. Screw, set square head	RP08B	5
5. Washer	RP1503C	5
6. Screw, cap head hex	RP04A	5
7. Wheel assy, hand	RP07X	1
8. Hood (1/4", 1/2", 3/4")	RP02-SHQ	1
Hood (1")	RP02-R	1
9. Carrier, punch (1/4", 1/2", 3/4")	RP04-SHQ	1
10. Base, with shaft and plate 1/2"	RP01X-H	1
Base, with shaft and plate 3/4"	RP01X-S	1
Base, with center shaft 1"	RP01X-R	1
11. Cap, hex head (1/4", 1/2", 3/4")	RP01A-SHQ	5
Cap, hex head (1")	RP01A-R	5

### **Front Assembly, see page 35**

Description	Part Number	Quantity per kit
1. Hood (1/4", 1/2", 3/4")	RP02-SHQ	1
Hood (1")	RP02-R	1
2. Nut, hex	RP22A	5
3. Washer, lock internal tooth	RP22B	5
4. Stud, spring	RP37	1
5. Washer	RP35SW	5
6. Spring, centering arm	RP30S	2
7. Screw, set square head	RP47	5
8. Pin, release button	RP18B	1
9. Arm liner, assy centering	RP35A	1
10. O-ring	RP35B	5
11. Arm assy, centering (1/4", 1/2", 3/4")	RP30X-SHQ	1
Arm assy, centering (1")	RP30X-R	1
12. Washer	RP35W	5
13. Screw, cap hex head	RP09A	5
14. Spring, handle	RP37S	1
15. Rocker assy, centering	RP28	1
16. Plunger assy	RP31	1

# Parts List

---

**Front Assembly,  
see page 35  
(continued)**

Description	Part Number	Quantity per kit
17. Stripper assy (1/4", 1/2", 3/4", 1")	RP33-SHQ	1
18. Bushing, feed wheel	RP23A	4
19. Wheel, feed right	RP23R	5
20. Washer, feed wheel	RP23W	5
21. Screw, slot flat head	RP38	5
22. Wheel assy, feed left (1/4")	RP23LB-Q	1
Wheel assy, feed left (1/2")	RP23LB-H	1
Wheel assy, feed left (3/4")	RP23LB-S	1
Wheel assy, feed left (1")	RP23LB-R	1
23. Washer, sprag spring	RP1611-AR	5
24. Nut	RP47A	1
25. Washer, lock integral tooth	RP47B	1
26. Stop, spacing	RP44	2
27. Stud, centering rocker	RP29	1
28. Washer, link pin right	RP13A	5
29. Handle, assy operating (1/4", 1/2", 3/4")	RP20X-SHQ	1
Handle, assy operating (1" )	RP20X-R	1
30. Shaft, handle	RP22	1
31. Washer	RP21	5
32. Screw, phillips pan head	RP06C-R	5
33. Ring, lock	RP3157	5
34. Follower, spacing cam	RP24	2
35. Link (1/4", 1/2", 3/4")	RP12- SHQ	1
Link (1" machine)	RP12-R	1
36. Cover plate, front	RP43	1
37. Screw, phillips pan head	RP43A	5
38. Screw, cap hex head	RP36B	5
39. Cam assy, spacing (1/4")	RP25-Q	1
Cam assy, spacing (1/2")	RP25-H	1
Cam assy, spacing (3/4")	RP25-S	1
Cam assy, spacing (1")	RP25-R	1
40. Spring, spacing finger	RP25S	2
41. Bushing, spacing cam	RP36	2
42. Cam assy, centering	RP10	1
43. Rocker assy	RP14	1
44. Stud, spring spacing	RP25E	5
45. Nut, hex jam	RP47A	5
46. Washer, lock integral tooth	RP47B	5
47. Screw, set (1/4", 1/2", 3/4")	RP48-SHQ	5
Screw, set (1")	RP48-R	5
48. Grip, Handle 7/8" Flangeless	RP27944	1

# Parts List

## Base Assembly, see page 37

Description	Part Number	Quantity per kit
1. Washer	RP19W2	5
2. Washer	RP19W1	5
3. Shaft, center (1/4", 1/2", 3/4")	RP19-SHQ	1
4. Wick, center shaft oil	RP19A	5
5. Nut	RP51N	5
6. Foot, rubber	RP77	1
7. Washer	RP1503C	5
8. Screw, cap hex head	RP1503B	5
9. Screw, round head slotted	RP15G	5
10. Bar, adjustment	RP15C	1
11. Spacer	RP15D	5
12. Roller assy, lower feed	RP15	1
13. Washer, lock internal tooth	RP38B	5
14. Nut	RP38A	5
15. Screw, slotted	RP38	5
16. Washer	RP16W	5
17. Collar, spring stud	RP16E	5
18. Spring, lower feed roll	RP16S	2
19. Stud, spring	RP16D	2
20. Screw, set socket flat	RP42	5
21. Screw, stop pawl	RP18A	1
22. Spring, release button	RP17S	2
23. Pawl, stop	RP18	1
24. Nut, hex jam	RP01D-SHQ	5
25. Shaft assy, eccentric (1/4", 1/2", 3/4")	RP16-SHQ	1
Shaft assy, eccentric (1")	RP16-R	1
26. Cap, eccentric shaft handle	RP16G	5
27. Eccentric shaft stop pin	RP16A	2
28. Release button pin	RP18B	1
29. Button, release shaft	RP17	1
30. Base, with shaft and plate (1/4")	RP01X-Q	1
Base, with shaft and plate (1/2")	RP01X-H	1
Base, with shaft and plate (3/4")	RP01X-S	1
Base, with center shaft (1")	RP01X-R	1
31. Plate, table (1/4")	RP01PL-Q	1
Plate, table (1/2")	RP01PL-H	1
Plate, table (3/4")	RP01PL-S	1
32. Screw, phillips flat head (1/4", 1/2", 3/4")	RPJ500-0011-008	5
33. Nut, hex jam	RP15N	5

# Parts List

---

## **Carriage Assembly, see page 39**

Description	Part Number	Quantity per kit
1. Carrier, punch (1/4", 1/2", 3/4")	RP04-SHQ	1
Carrier punch (1")	RP04-R	1
2 Retainer, spring	RP27	5
3. Washer, felt (1/4", 1/2", 3/4")	RP78-SHQ	5
Washer, felt (1")	RP78-R	5
4. Spring, punch (1/4", 1/2", 3/4")	RP26S-SHQ	5
Spring, punch (1")	RP26S-R	5
5. Holder, punch and shank assy (1/4", 1/2", 3/4")	RP05X-SHQ	1
Holder, punch and shank assy (1")	RP05X-R	1
6. Washer, rubber (1/4", 1/2", 3/4")	RP26W-SHQ	5
Washer, rubber (1")	RP26W-R	5
7. Punch and die – set of 40 1/4" characters	RPQ5DP	1
Punch and die – set of 40 1/2" characters	RPH5DP	1
Punch and die – set of 40 3/4" characters	RPS5DP	1
Punch and die – set of 40 1" characters	RPR5DP	1
8. Screw, punch (1/4", 1/2", 3/4")	RP06B-SHQ	5
Screw, punch (1")	RP06B-R	5
9. Screw, die (1/4", 1/2", 3/4")	RP06C-SHQ	5
Screw, die (1")	RP06C-R	5
10. Washer, felt	RP79	5

## Liste des pièces de rechange

---

Les pages qui suivent illustrent la découpeuse de pochoirs manuelle et indiquent les références des pièces de rechange correspondantes. La clientèle est priée d'indiquer ces références lors de toute commande de pièces de rechange. On voudra bien noter également la quantité de pièces par paquet et la référence de pièce spécifique au modèle de découpeuse concerné.

### **Ensemble de découpeuse de pochoirs, voir page 33**

Description	Référence de pièce	Quantité par kit
1. Vis cruciforme à tête bombée	RP32A	5
2. Cadran vierge manuel	RP32	1
3. Pièce de maintien, cadran	RP08	1
4. Vis de pression à tête carrée	RP08B	5
5. Rondelle	RP1503C	5
6. Boulon à tête hexagonale	RP04A	5
7. Ensemble de cadran manuel	RP07X	1
8. Calotte (6,35 mm, 12,7 mm, 19,05 mm) Calotte (25,4 mm)	RP02-SHQ RP02-R	1 1
9. Carrousel, emporte-pièce (6,35 mm, 12,7 mm, 19,05 mm)	RP04-SHQ	1
10. Base, avec arbre et plaque 12,7 mm Base, avec arbre et plaque 19,05 mm Base, avec arbre central 25,4 mm	RP01X-H RP01X-S RP01X-R	1 1 1
11. Boulon à tête hexagonale (6,35 mm, 12,7 mm, 19,05 mm) Boulon à tête hexagonale (25,4 mm)	RP01A-SHQ RP01A-R	5 5

### **Ensemble avant, voir page 35**

Description	Référence de pièce	Quantité par kit
1. Calotte (6,35 mm, 12,7 mm, 19,05 mm) Calotte (25,4 mm)	RP02-SHQ RP02-R	1 1
2. Ecrou à 6 pans	RP22A	5
3. Rondelle de blocage à denture intégrale	RP22B	5
4. Goujon à ressort	RP37	1
5. Rondelle	RP35SW	5
6. Ressort, bras de centrage	RP30S	2
7. Jeu de vis à tête carrée	RP47	5
8. Goupille, bouton de dégagement	RP18B	1
9. Garniture de bras, centrage de l'ensemble	RP35A	1
10. Joint torique	RP35B	5
11. Ensemble de bras de centrage (6,35 mm, 12,7 mm, 19,05 mm) Ensemble de bras de centrage (25,4 mm)	RP30X-SHQ RP30X-R	1 1
12. Rondelle	RP35W	5

# Liste des pièces de rechange

## Ensemble avant, voir page 35 (suite)

Description	Référence de pièce	Quantité par kit
13. Boulon à tête hexagonale	RP09A	5
14. Ressort, poignée	RP37S	1
15. Ensemble de culbuteur de centrage	RP28	1
16. Ensemble de plongeur	RP31	1
17. Ensemble de décapeur (6,35 mm, 12,7 mm, 19,05 mm, 25,4 mm)	RP33-SHQ	1
18. Douille, roue d'alimentation	RP23A	4
19. Roue d'alimentation droite	RP23R	5
20. Rondelle, roue d'alimentation	RP23W	5
21. Vis à tête plate fendue	RP38	5
22. Ensemble de roue d'alimentation gauche (6,35 mm)	RP23LB-Q	1
Ensemble de roue d'alimentation gauche (12,7 mm)	RP23LB-H	1
Ensemble de roue d'alimentation gauche (19,05 mm)	RP23LB-S	1
Ensemble de roue d'alimentation gauche (25,4 mm)	RP23LB-R	1
23. Rondelle d'arrêt à ressort	RP1611-AR	5
24. Ecrou	RP47A	1
25. Rondelle de blocage à denture intégrale	RP47B	1
26. Butée d'espacement	RP44	2
27. Goujon, culbuteur de centrage	RP29	1
28. Rondelle, pivot droit	RP13A	5
29. Ensemble de poignée de fonctionnement (6,35 mm, 12,7 mm, 19,05 mm)	RP20X-SHQ	1
Ensemble de poignée de fonctionnement (25,4 mm)	RP20X-R	1
30. Tige de poignée	RP22	1
31. Rondelle	RP21	5
32. Vis cruciforme à tête cylindrique	RP06C-R	5
33. Bague de blocage	RP3157	5
34. Galet de came d'espacement	RP24	2
35. Articulation (6,35 mm, 12,7 mm, 19,05 mm)	RP12-SHQ	1
Articulation (découpeuse 25,4 mm)	RP12-R	1
36. Plaque de couverture, avant	RP43	1
37. Vis cruciforme à tête cylindrique	RP43A	5
38. Boulon à tête hexagonale	RP36B	5
39. Ensemble de came d'espacement (6,35 mm)	RP25-Q	1
Ensemble de came d'espacement (12,7 mm)	RP25-H	1
Ensemble de came d'espacement (19,05 mm)	RP25-S	1
Ensemble de came d'espacement (25,4 mm)	RP25-R	1
40. Ressort du doigt d'espacement	RP25S	2
41. Douille de came d'espacement	RP36	2
42. Ensemble de came de centrage	RP10	1
43. Ensemble de culbuteur	RP14	1
44. Goujon d'espacement à ressort	RP25E	5
45. Ecrou autobloquant hexagonal	RP47A	5

## Liste des pièces de rechange

### Ensemble avant, voir page 35 (suite)

Description	Référence de pièce	Quantité par kit
46. Rondelle de blocage à denture intégrale	RP47B	5
47. Jeu de vis (6,35 mm, 12,7 mm, 19,05 mm)	RP48-SHQ	5
Jeu de vis (25,4 mm)	RP48-R	5
48. Arbre avec poignée de 22,2 mm sans collerette	RP27944	1

### Ensemble base, voir page 37

Description	Référence de pièce	Quantité par kit
1. Rondelle	RP19W2	5
2. Rondelle	RP19W1	5
3. Arbre central (6,35 mm, 12,7 mm, 19,05 mm)	RP19-SHQ	1
4. Mèche à lubrifiant, arbre central	RP19A	5
5. Ecrou	RP51N	5
6. Pied de caoutchouc	RP77	1
7. Rondelle	RP1503C	5
8. Boulon à tête hexagonale	RP1503B	5
9. Vis à tête ronde fendue	RP15G	5
10. Barre de réglage	RP15C	1
11. Pièce d'écartement	RP15D	5
12. Ensemble des rouleaux d'alimentation inférieurs	RP15	1
13. Rondelle de blocage à denture interne	RP38B	5
14. Ecrou	RP38A	5
15. Vis à fente	RP38	5
16. Rondelle	RP16W	5
17. Collier de goujon à ressort	RP16E	5
18. Ressort, rouleaux d'alimentation inférieurs	RP16S	2
19. Goujon à ressort	RP16D	2
20. Jeu de vis, tête plate à 6 pans creux	RP42	5
21. Vis, cliquet d'arrêt	RP18A	1
22. Ressort, bouton de dégagement	RP17S	2
23. Cliquet d'arrêt	RP18	1
24. Ecrou autobloquant hexagonal	RP01D-SHQ	5
25. Ensemble d'arbre de l'excentrique (6,35 mm, 12,7 mm, 19,05 mm)	RP16-SHQ	1
Ensemble d'arbre de l'excentrique (25,4 mm)	RP16-R	1
26. Chape, poignée, arbre de l'excentrique	RP16G	5
27. Goupille d'arrêt, arbre de l'excentrique	RP16A	2
28. Goupille, bouton de dégagement	RP18B	1
29. Bouton, arbre de dégagement	RP17	1
30. Base, avec arbre et plaque (6,35 mm)	RP01X-Q	1
Base, avec arbre et plaque (12,7 mm)	RP01X-H	1
Base, avec arbre et plaque (19,05 mm)	RP01X-S	1
Base, avec arbre central (25,4 mm)	RP01X-R	1

# Liste des pièces de rechange

## Ensemble base, voir page 37 (suite)

Description	Référence de pièce	Quantité par kit
31. Plaque, table (6,35 mm)	RP01PL-Q	1
Plaque, table (12,7 mm)	RP01PL-H	1
Plaque, table (19,05 mm)	RP01PL-S	1
32. Vis cruciforme à tête plate (6,35 mm, 12,7 mm, 19,05 mm)	RPJ500-0011-008	5
33. Ecrou autobloquant hexagonal	RP15N	5

## Ensemble de carrousel, voir page 39

Description	Référence de pièce	Quantité par kit
1. Carrousel, emporte-pièce (6,35 mm, 12,7 mm, 19,05 mm)	RP04-SHQ	1
Carrousel, emporte-pièce (25,4 mm)	RP04-R	1
2. Retenue à ressort	RP27	5
3. Rondelle de feutre (6,35 mm, 12,7 mm, 19,05 mm)	RP78-SHQ	5
Rondelle de feutre (25,4 mm)	RP78-R	5
4. Ressort d'emporte-pièce (6,35 mm, 12,7 mm, 19,05 mm)	RP26S-SHQ	5
Ressort d'emporte-pièce (25,4 mm)	RP26S-R	5
5. Porte-outil, ensemble emporte-pièce et tige (6,35 mm, 12,7 mm, 19,05 mm)	RP05X-SHQ	1
Porte-outil, ensemble emporte-pièce et tige (25,4 mm)	RP05X-R	1
6. Rondelle de caoutchouc (6,35 mm, 12,7 mm, 19,05 mm)	RP26W-SHQ	5
Rondelle de caoutchouc (25,4 mm)	RP26W-R	5
7. Emporte-pièce et forme de découpe, jeu de 40 caractères 6,35 mm	RPQ5DP	1
Emporte-pièce et forme de découpe, jeu de 40 caractères 12,7 mm	RPH5DP	1
Emporte-pièce et forme de découpe, jeu de 40 caractères 19,05 mm	RPS5DP	1
Emporte-pièce et forme de découpe, jeu de 40 caractères 25,4 mm	RPR5DP	1
8. Vis, emporte-pièce (6,35 mm, 12,7 mm, 19,05 mm)	RP06B-SHQ	5
Vis, emporte-pièce (25,4 mm)	RP06B-R	5
9. Vis, forme de découpe (6,35 mm, 12,7 mm, 19,05 mm)	RP06C-SHQ	5
Vis, forme de découpe (25,4 mm)	RP06C-R	5
10. Rondelle de feutre	RP79	5



## Lista de repuestos

---

En las siguientes páginas se muestra la Máquina Cortadora de Estarcidos de Operación Manual y sus partes de repuesto con los números correspondientes. Cuando vaya a hacer un pedido de partes de repuesto, sírvase hacer referencia al número de parte correspondiente. Preste atención también a la cantidad que viene en cada paquete y al número de parte de la pieza requerida para su tipo específico de máquina.

### **Ensamblaje de la máquina cortadora de estarcidos, veáse la página 33**

Descripción	Número de pieza	Cantidad por juego
1. Tornillo Phillips de cabeza segmentada	RP32A	5
2. Disco, manual	RP32	1
3. Portadisco	RP08	1
4. Tornillo, prisionero de cabeza cuadrada	RP08B	5
5. Arandela	RP1503C	5
6. Tornillo, de cabeza hexagonal	RP04A	5
7. Conjunto de la rueda manual	RP07X	1
8. Cubierta (1/4", 1/2", 3/4")	RP02-SHQ	1
Cubierta (1")	RP02-R	1
9. Transportador, punzonador (1/4", 1/2", 3/4")	RP04-SHQ	1
10. Base, con eje y placa 1/2"	RP01X-H	1
Base, con eje y placa 3/4"	RP01X-S	1
Base, con eje central 1"	RP01X-R	1
11. Tornillo, de cabeza hexagonal (1/4", 1/2", 3/4")	RP01A-SHQ	5
Tornillo, de cabeza hexagonal (1")	RP01A-R	5

### **Ensamblaje de la parte frontal, veáse la página 35**

Descripción	Número de pieza	Cantidad por juego
1. Cubierta (1/4", 1/2", 3/4")	RP02-SHQ	1
Cubierta (1")	RP02-R	1
2. Tuerca, hexagonal	RP22A	5
3. Arandela, de seguridad con diente de integración	RP22B	5
4. Husillo, resorte del	RP37	1
5. Arandela	RP35SW	5
6. Resorte, del brazo de centralización	RP30S	2
7. Tornillo, prisionero de cabeza cuadrada	RP47	5
8. Perno, del botón de liberación	RP18B	1
9. Pieza de prevención de desgaste del conjunto del brazo de centralización	RP35A	1
10. Anillo en O (tórico)	RP35B	5

# Lista de repuestos

**Ensamblaje de la  
parte frontal, veáse  
la página 35  
(continuación)**

Descripción	Número de pieza	Cantidad por juego
11. Conjunto del brazo de centralización (1/4", 1/2", 3/4")	RP30X-SHQ	1
Conjunto del brazo de centralización (1")	RP30X-R	1
12. Arandela	RP35W	5
13. Tornillo, de cabeza hexagonal	RP09A	5
14. Resorte, de la manivela	RP37S	1
15. Oscilador, del conjunto de centralización	RP28	1
16. Conjunto del émbolo	RP31	1
17. Conjunto del raspador (1/4", 1/2", 3/4", 1")	RP33-SHQ	1
18. Buje, de la rueda de avance	RP23A	4
19. Rueda, de avance derecha	RP23R	5
20. Arandela, de la rueda de avance	RP23W	5
21. Tornillo, ranurado de cabeza plana	RP38	5
22. Conjunto de la rueda de avance izquierda (1/4")	RP23LB-Q	1
Conjunto de la rueda de avance izquierda (1/2")	RP23LB-H	1
Conjunto de la rueda de avance izquierda (3/4")	RP23LB-S	1
Conjunto de la rueda de avance izquierda (1")	RP23LB-R	1
23. Arandela separadora de resorte	RP1611-AR	5
24. Tuerca	RP47A	1
25. Arandela, de seguridad con diente de integración	RP47B	1
26. Tornillo limitador, de espaciamiento	RP44	2
27. Perno, del oscilador de centralización	RP29	1
28. Arandela, del pasador derecho del eslabón	RP13A	5
29. Conjunto de la manivela de operación (1/4", 1/2", 3/4")	RP20X-SHQ	1
Conjunto de la manivela de operación (1")	RP20X-R	1
30. Eje de la manivela	RP22	1
31. Arandela	RP21	5
32. Tornillo, Phillips de cabeza de cono achatado	RP06C-R	5
33. Anillo, de retén	RP3157	5
34. Seguidor, de la leva de espaciamiento	RP24	2
35. Eslabón (máquinas de caracteres de 1/4", 1/2", 3/4")	RP12-SHQ	1
Eslabón (máquina de caracteres de 1")	RP12-R	1
36. Placa de cubierta frontal	RP43	1
37. Tornillo Phillips de cabeza de cono achatado	RP43A	5
38. Tornillo de cabeza hexagonal	RP36B	5
39. Conjunto de la leva de espaciamiento (1/4")	RP25-Q	1
Conjunto de la leva de espaciamiento (1/2")	RP25-H	1
Conjunto de la leva de espaciamiento (3/4")	RP25-S	1
Conjunto de la leva de espaciamiento (1")	RP25-R	1
40. Resorte del dedo de espaciamiento	RP25S	2

## Lista de repuestos

### Ensamblaje de la parte frontal, veáse la página 35 (continuación)

Descripción	Número de pieza	Cantidad por juego
41. Buje de la leva de espaciamiento	RP36	2
42. Conjunto de la leva de centralización	RP10	1
43. Conjunto del oscilante	RP14	1
44. Perno, de espaciamiento del resorte	RP25E	5
45. Tuerca, hexagonal de seguridad	RP47A	5
46. Arandela, de seguridad con diente de integración	RP47B	5
47. Tornillo, prisionero (1/4", 1/2", 3/4")	RP48-SHQ	5
Tornillo, prisionero (1")	RP48-R	5
48. Palanca con empuñadura de 7/8" sin collarín	RP27944	1

### Ensamblaje de la base, veáse la página 37

Descripción	Número de pieza	Cantidad por juego
1. Arandela	RP19W2	5
2. Arandela	RP19W1	5
3. Eje, central (1/4", 1/2", 3/4")	RP19-SHQ	1
4. Mecha de lubricación del eje central	RP19A	5
5. Tuerca	RP51N	5
6. Zapata de goma	RP77	1
7. Arandela	RP1503C	5
8. Tornillo de cabeza hexagonal	RP1503B	5
9. Tornillo de cabeza redonda ranurada	RP15G	5
10. Barra de ajuste	RP15C	1
11. Espaciador	RP15D	5
12. Conjunto de rodillos de avance inferiores	RP15	1
13. Arandela, de seguridad con diente interno	RP38B	5
14. Tuerca	RP38A	5
15. Tornillo ranurado	RP38	5
16. Arandela	RP16W	5
17. Collarín elástico del perno	RP16E	5
18. Resorte, del rodillo de avance inferior	RP16S	2
19. Perno del resorte	RP16D	2
20. Tornillo prisionero hueco plano	RP42	5
21. Tornillo del trinquete de tope	RP18A	1
22. Resorte del botón de liberación	RP17S	2
23. Trinquete de tope	RP18	1
24. Tuerca hexagonal de seguridad	RP01D-SHQ	5
25. Conjunto del eje excéntrico (1/4", 1/2", 3/4")	RP16-SHQ	1
Conjunto del eje excéntrico (1")	RP16-R	1
26. Tornillo de presión de casquete del eje excéntrico de la palanca	RP16G	5

# Lista de repuestos

## Ensamblaje de la base, veáse la página 37 (continuación)

Descripción	Número de pieza	Cantidad por juego
27. Pasador de retén del eje excéntrico	RP16A	2
28. Pasador del botón de liberación	RP18B	1
29. Botón de liberación del eje	RP17	1
30. Base con eje y placa (1/4")	RP01X-Q	1
Base con eje y placa (1/2")	RP01X-H	1
Base con eje y placa (3/4")	RP01X-S	1
Base con eje central (1")	RP01X-R	1
31. Placa de apoyo (1/4")	RP01PL-Q	1
Placa de apoyo (1/2")	RP01PL-H	1
Placa de apoyo (3/4")	RP01PL-S	1
32. Tornillo Phillips de cabeza plana (1/4", 1/2", 3/4")	RPJ500-0011-008	5
33. Tuerca hexagonal de seguridad	RP15N	5

## Conjunto de transportación, veáse la página 37

Descripción	Número de pieza	Cantidad por juego
1. Transportador del punzonador (1")	RP04-R	1
Transportador del punzonador (1/4", 1/2", 3/4")	RP04-SHQ	1
2. Resorte retenedor	RP27	5
3. Arandela de fieltro (1/4", 1/2", 3/4")	RP78-SHQ	5
Arandela de fieltro (1")	RP78-R	5
4. Resorte del punzonador (1/4", 1/2", 3/4")	RP26S-SHQ	5
Resorte del punzonador (1")	RP26S-R	5
5. Sujetador del conjunto del vástago y el punzonador (1/4", 1/2", 3/4")	RP05X-SHQ	1
Sujetador del conjunto del vástago y el punzonador (1")	RP05X-R	1
6. Arandela de goma (1/4", 1/2", 3/4")	RP26W-SHQ	5
Arandela de goma (1")	RP26W-R	5
7. Conjunto de punzonadores y matrices para 40 caracteres de 1/4"	RPQ5DP	1
Conjunto de punzonadores y matrices para 40 caracteres de 1/2"	RPH5DP	1
Conjunto de punzonadores y matrices para 40 caracteres de 3/4"	RPS5DP	1
Conjunto de punzonadores y matrices para 40 caracteres de 1"	RPR5DP	1
8. Tornillo del punzonador (1/4", 1/2", 3/4")	RP06B-SHQ	5
Tornillo del punzonador (1")	RP06B-R	5
9. Tornillo de la matriz (1/4", 1/2", 3/4")	RP06C-SHQ	5
Tornillo de la matriz (1")	RP06C-R	5
10. Arandela de fieltro	RP79	5

# Index

---

## A

Adjusting	
tracking on lower feed rollers	23
adjusting the punch depth	25

## C

Cleaning	
the punches	11
the treads on the left feed wheel	21
crooked characters	14

Cutting the oil board	9
-----------------------	---

## H

Hand stencil machines, varieties	3
----------------------------------	---

## I

Inks	3
Inserting the oil board	7
Installation	5
Introduction	3

## M

Maintenance	11
cleaning the punches	11
oiling the machine	13

## O

Oilboard:	
types to use	7
inserting the oilboard	7
movement through the machine	14
Oiling the machine	13
Operation	7
inserting the oilboard	7
cutting the oilboard	9

## P

Parts List	32
Punch and die	
cleaning	11
replacing	27
punch depth	15
punch depth, adjusting	25

## R

Repair	21
Replacing:	
the lower feed roller assembly	29
a punch and die	27

## S

Slanted characters	14
Spacing of characters	14
Stencil board	
inserting stencil board	7
selecting stencil board	7

## T

Table of contents	1
Treads, cleaning	21
Troubleshooting	14

# Index

---

## C

Caractères inclinés	16
Carton huilé	
avance du carton dans la découpeuse	16
choix du carton huilé	6
insertion du carton huilé	6

## D

Découpage du carton huilé	8
Découpeuse de pochoirs manuelle, modèles	2
Dépannage	16

## E

Emporte-pièce et forme de découpe	
nettoyage	16
remplacement	26
verticale des emporte-pièce	17
verticale des emporte-pièce, réglage	24

Encres	2
--------	---

Entretien	10
lubrification de la découpeuse	12
nettoyage des emporte-pièce	10

Espacement des caractères	17
---------------------------	----

## F

Filetage, nettoyage	20
Fonctionnement	6
découpe du carton huilé	8
insertion du carton huilé	6

## I

Insertion du carton huilé	6
Installation	4
Introduction	2

## L

Liste des pièces de rechange	32
Lubrification de la découpeuse	12

## N

Nettoyage	
caractères déformés	16
des emporte-pièce	10
du filetage de la roue d'alimentation gauche	20

## R

Réglage	
avance de l'ensemble des rouleaux d'alimentation inférieurs	22
réglage de la verticale des emporte-pièce	24

Remplacement :	
de l'ensemble des rouleaux d'alimentation inférieurs	28
d'un emporte-pièce et d'une forme de découpe	26

Réparations	20
-------------	----

## T

Table des matières	1
--------------------	---

# Indice

---

<b>A</b>		<b>P</b>	
Ajuste		Partes de Repuesto, Lista de	32
del arrastre en los rodillos de avance inferiores	22	Punzonador y matriz	
de la profundidad de los punzonadores	24	limpieza de	10
<b>B</b>		sustitución de	26
Bandas de rodamiento, limpieza de las	20	profundidad del punzonador	19
<b>C</b>		profundidad del punzonador, ajuste de la	24
Caracteres torcidos	18	<b>R</b>	
Cortado de los caracteres sobre la		Reparación	20
cartulina de estarcido	8	<b>S</b>	
Cómo insertar la cartulina de estarcido	6	Sustitución de:	
Cartulina de estarcido, tipos que se deben utilizar	2	el conjunto de rodillos de avance inferiores	28
Caracteres inclinados	18	un punzonador y una matriz	26
Cartulina de estarcido		<b>T</b>	
cómo insertar la cartulina de estarcido	6	Tipos de máquinas cortadoras de estarcidos de	
selección de la	6	operación manual	2
<b>E</b>		Tintas	2
Espaciamiento de caracteres	19	<b>I</b>	
<b>I</b>			
Indice	1		
Instalación	4		
Introducción	2		
<b>L</b>			
Limpieza			
de los punzonadores	10		
de las bandas de rodamiento de la rueda			
de avance izquierda	20		
Localización y corrección de fallas	18		
Lubricación de la máquina	12		
<b>M</b>			
Mantenimiento	10		
limpieza de los punzonadores	10		
lubricación de la máquina	12		
Movimiento de la cartulina de estarcido a través			
de la máquina	18		
<b>O</b>			
Operación	6		
Cómo insertar la cartulina de estarcido	6		
Cortado de los caracteres sobre la cartulina de			
estarcido	8		