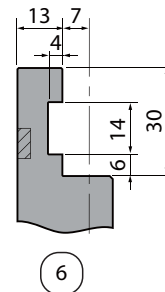
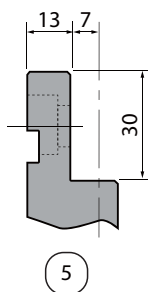
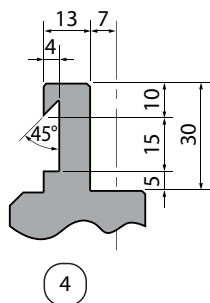
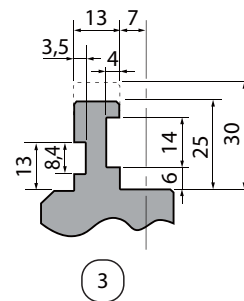
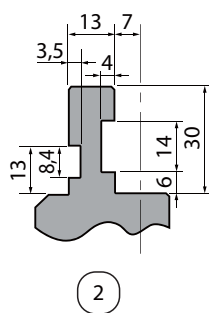
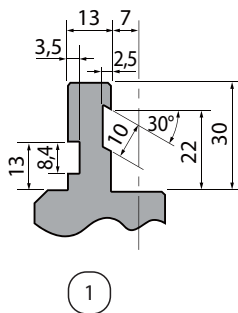


Production	Page	Production	Page
Introduction	7-8	Die Holder for Self Centering 2-V Dies Clamping Piece for self Centering 2-V Dies	33
90° Punches	9	Self Centering 1-V Dies 90°/88°	34
88° Punches	10-13	Self Centering 1-V Dies 85°/30°	35
Segmented Punches with Mobile Horns Punches for closed profiles	14	Die Holder for Self Centering 1-V Dies	36
85° Punches	15-16	T-Dies 90°	37
75°/70° Punches	17	T-Dies 88°	38
60° Punches	18-19	T-Dies 85°	39
45° Punches	20	T-Dies 80°	40
35°/30° Punches	21	T-Dies 60°	41
26° Punches	22	T-Dies 45°	42
28°/24° Hemming Tools	23	T-Dies 35°	43
Z-Profile Tools	24	T-Dies 30°	44
Radius Tools	25-26	T-Dies 26°	45
2-V Dies 90°/88°	27-28	1-V Dies, 85°	46
2-V Dies 60°/35°/30°	29	1-V Dies, 80°	47
Die Holders for 2-V Dies	30	1-V Dies, 60°/45°	48
Self Centering 2-V Dies 90°/88°	31	Multi-V Dies	49
Self Centering 2-V Dies 85°/30°	32	Synthetic Dies	50

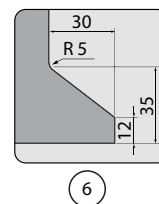
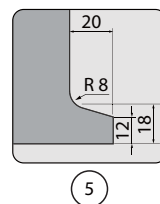
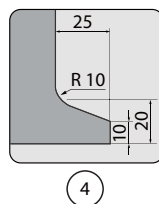
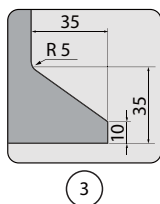
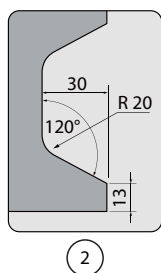
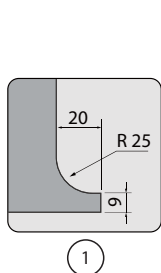
Production	Page
Hemming Dies	51
Spring-Loaded Hemming Dies Pneumatic Hemming Dies	52
Adapter Rails for Dies	53
90°/86° Punches	54-55
80° Punches	56
60° Punches	57
28° Punches	58-59
28°/24° Hemming Tools	60
Z-Profile Tools	61
Radius Tools	62
Dies H=55 mm - 85 mm	63-64
Dies 90°/86° , H=100 mm	65-66
Dies 84° , H=100 mm	67-68
Dies 80° , H=100 mm	69
Dies 60°/30° , H=100 mm - 120mm	70-72
Dies 86° , H=150 mm	73
Dies 84° , H=150 mm	74-75
Dies 80° , H=150 mm	76

Production	Page
Dies 30° , H=150 mm	77
Synthetic Dies, H=100 mm	78
Hemming Dies	79

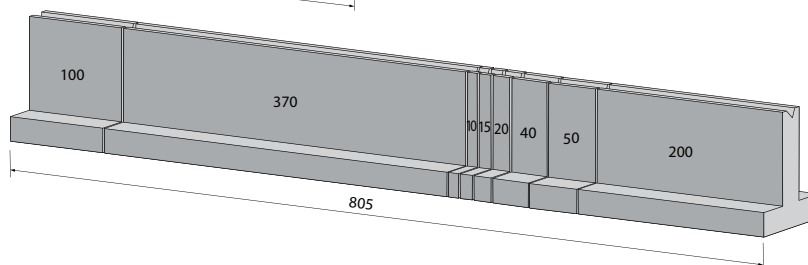
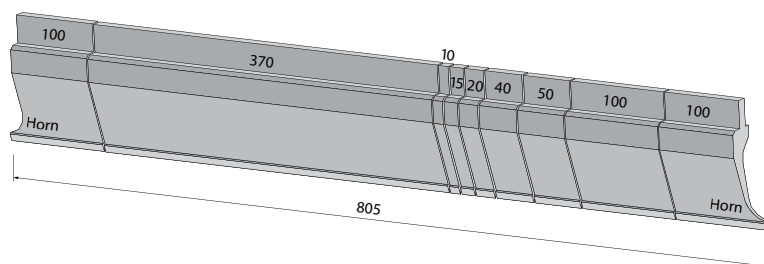
Adaption Standards



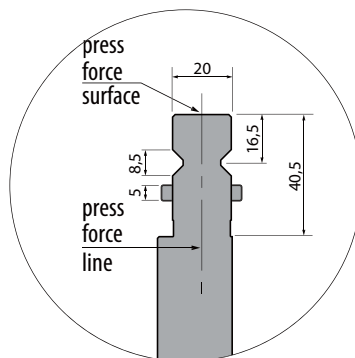
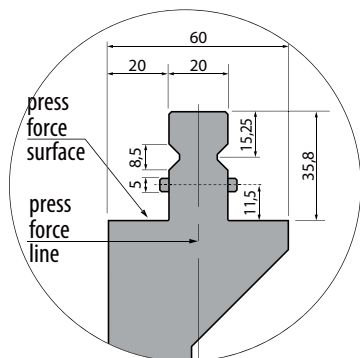
Horn Standards



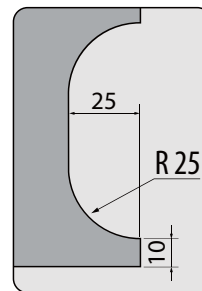
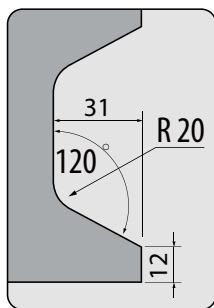
Segment Standards



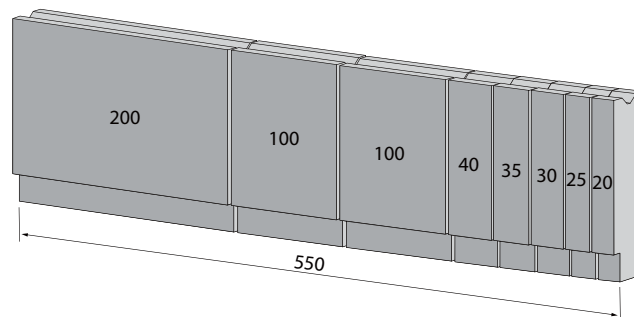
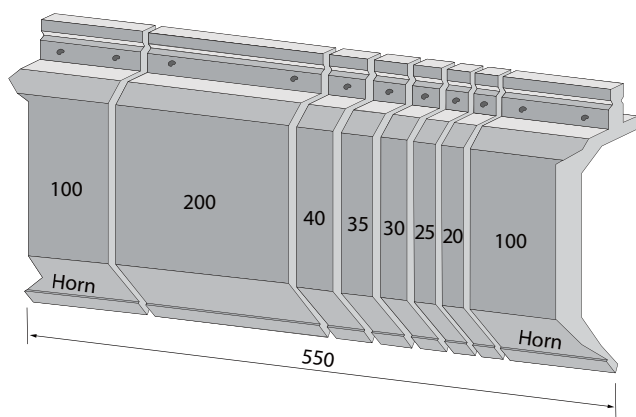
■ Adaption Standards



■ Horn Standards



■ Segment Standards



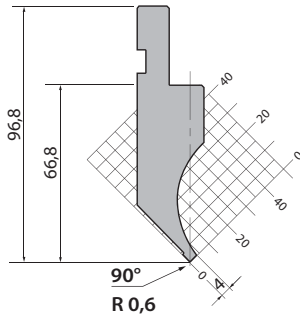
■ Material

Material	Resistance	Original Hardness	Final Hardness
42CrMo4	900-1200 N/mm ²	30 - 37 HRC	50 - 56 HRC

90° Punches

HP 97.90.R06

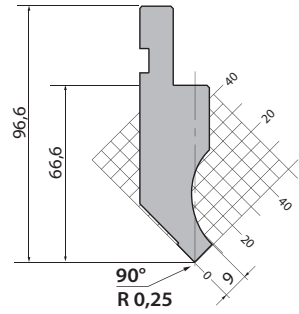
350 kN/m max.



835 mm	10.6 kg	
835 mm sections	10.6 kg	
415 mm	5.2 kg	

HP 97.90.R025

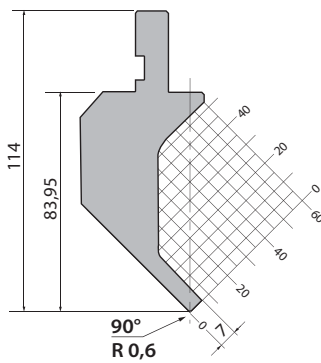
1000 kN/m max.



835 mm	10.8 kg	
835 mm sections	10.8 kg	
415 mm	5.4 kg	

HP 114.90.R06

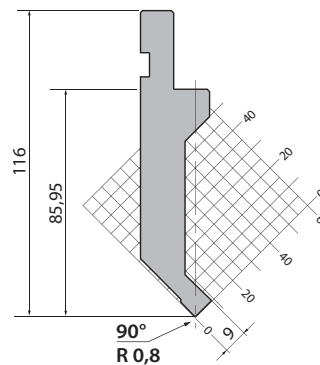
200 kN/m max.



835 mm	13.8 kg	
835 mm sections	13.8 kg	
415 mm	7.0 kg	

HP 116.90.R08

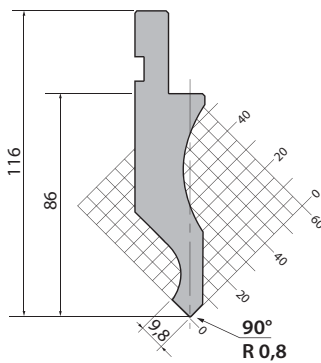
400 kN/m max.



835 mm	12.8 kg	
835 mm sections	12.8 kg	
415 mm	6.6 kg	

HP 166.90.R08S

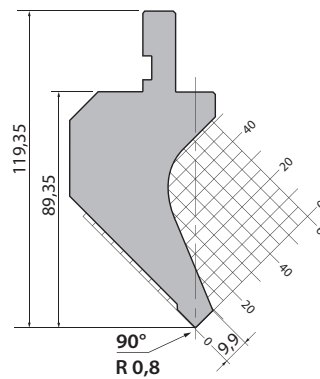
500 kN/m max.



835 mm	13.0 kg	
835 mm sections	13.0 kg	
415 mm	6.4 kg	

HP 120.90.R08

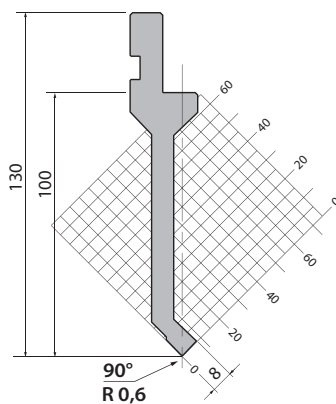
600 kN/m max.



835 mm	20.8 kg	
835 mm sections	20.8 kg	
415 mm	10.6 kg	

HP 130.90.R06

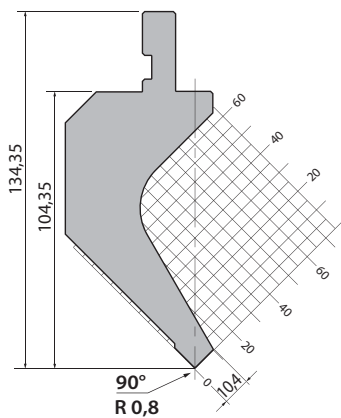
350 kN/m max.



835 mm	11.6 kg	
835 mm sections	11.6 kg	
415 mm	5.8 kg	

HP 135.90.R08

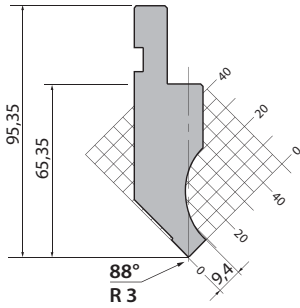
500 kN/m max.



835 mm	22.8 kg	
835 mm sections	22.8 kg	
415 mm	11.4 kg	

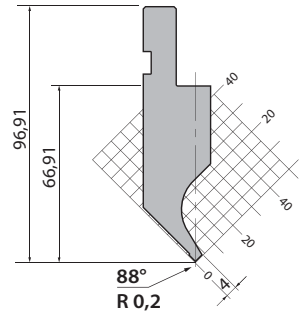
88° Punches

HP 95.88.R3



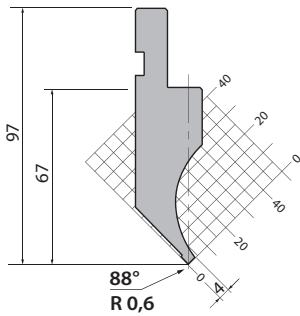
1000 kN/m max.		
835 mm	11.0 kg	
835 mm sections	11.0 kg	
415 mm	5.4 kg	

HP 97.88.R02



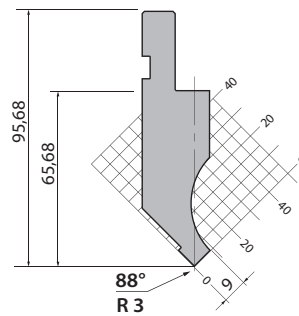
200 kN/m max.		
835 mm	10.6 kg	
835 mm sections	10.6 kg	
415 mm	5.4 kg	

HP 97.88.R06



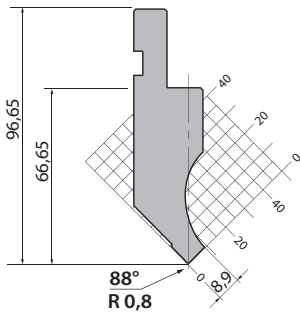
350 kN/m max.		
835 mm	9.4 kg	
835 mm sections	9.4 kg	
415 mm	5.3 kg	

HP 96.88.R3



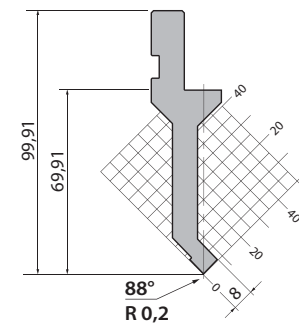
1000 kN/m max.		
835 mm	11.0 kg	
835 mm sections	11.0 kg	
415 mm	5.4 kg	

HP 97.88.R08



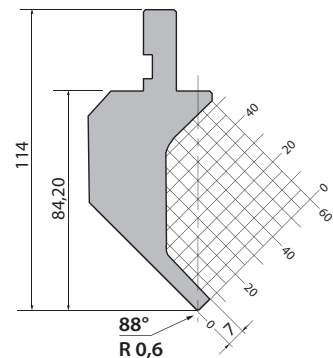
1000 kN/m max.		
835 mm	11.0 kg	
835 mm sections	11.0 kg	
415 mm	5.4 kg	

HP 100.88.R02



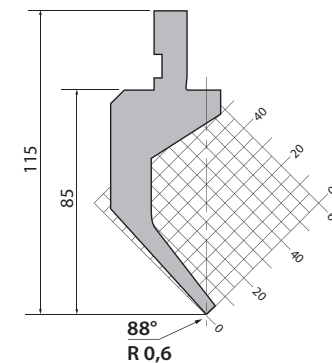
300 kN/m max.		
835 mm	7.8 kg	
835 mm sections	7.8 kg	
415 mm	4.0 kg	

HP114.88.R06



200 kN/m max.		
835 mm	15.4 kg	
835 mm sections	15.4 kg	
415 mm	7.8 kg	

HP 115.88.R06

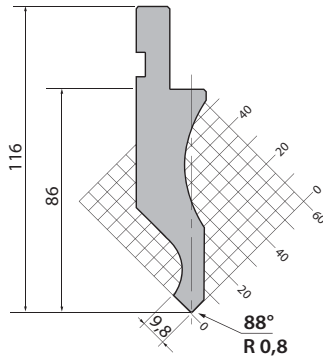


130 kN/m max.		
835 mm	6.0 kg	
835 mm sections	6.0 kg	
415 mm	3.0 kg	

88° Punches

HP 116.88.R08S

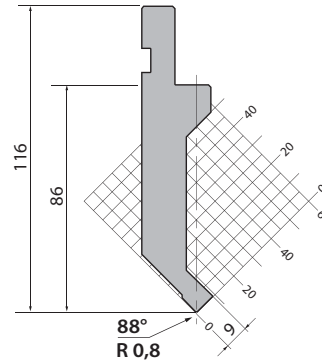
500 kN/m max.



835 mm	11.8 kg	
835 mm sections	11.8 kg	
415 mm	5.8 kg	

HP 116.88.R08

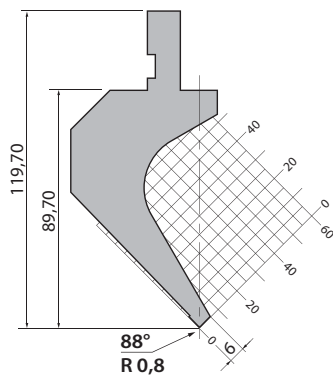
400 kN/m max.



835 mm	12.0 kg	
835 mm sections	12.0 kg	
415 mm	5.8 kg	

HP 120.88.R08

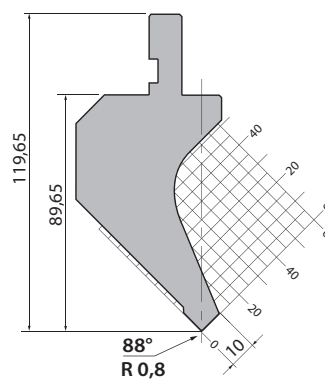
450 kN/m max.



835 mm	16.8 kg	
835 mm sections	16.8 kg	
415 mm	8.5 kg	

HP 120.88.R08S

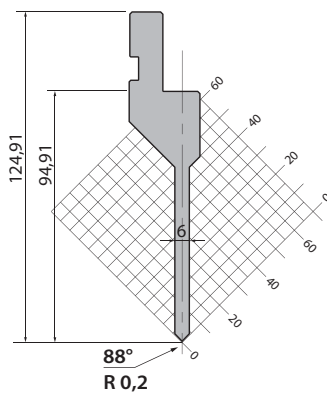
600 kN/m max.



835 mm	21.4 kg	
835 mm sections	21.4 kg	
415 mm	10.6 kg	

HP 125.88.R02

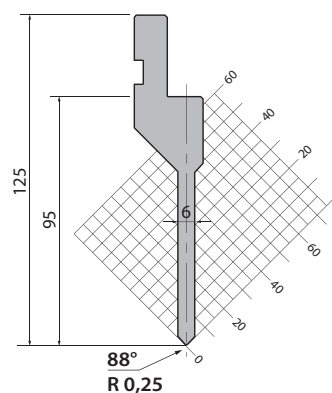
500 kN/m max.



835 mm	9.0 kg	
835 mm sections	9.0 kg	
415 mm	4.5 kg	

HP 125.88.R02S

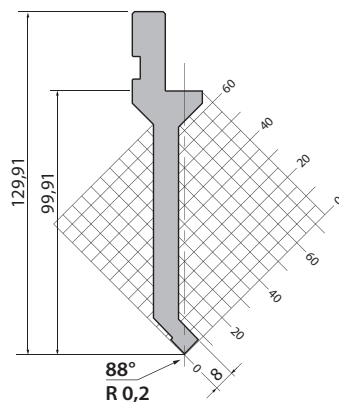
500 kN/m max.



835 mm	9.0 kg	
835 mm sections	9.0 kg	
415 mm	4.6 kg	

HP 130.88.R02

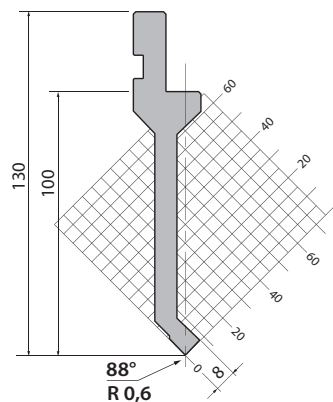
300 kN/m max.



835 mm	9.8 kg	
835 mm sections	9.8 kg	
415 mm	5.0 kg	

HP 130.88.R06

350 kN/m max.

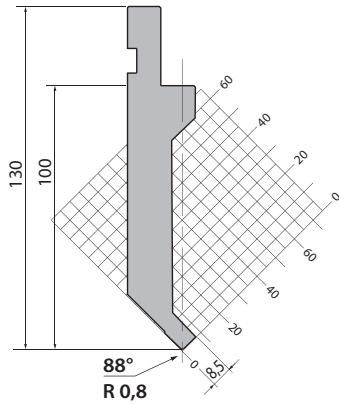


835 mm	9.8 kg	
835 mm sections	9.8 kg	
415 mm	5.0 kg	

88° Punches

HP 130.88.R08

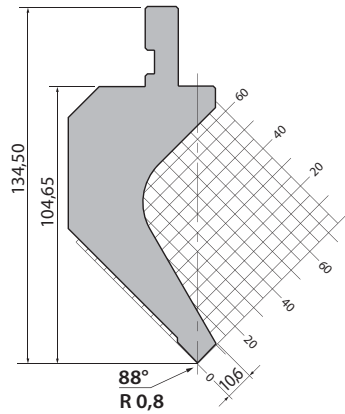
400 kN/m max.



835 mm	14.0 kg	
835 mm sections	14.0 kg	
415 mm	6.8 kg	

HP 135.88.R08

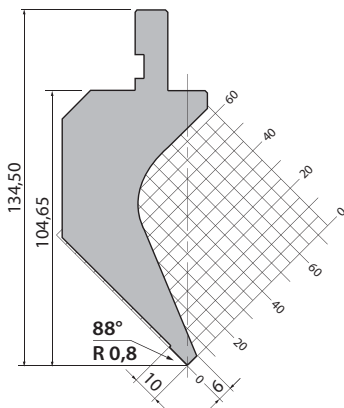
500 kN/m max.



835 mm	22.4 kg	
835 mm sections	22.4 kg	
415 mm	11.2 kg	

HP 135.88.R08S

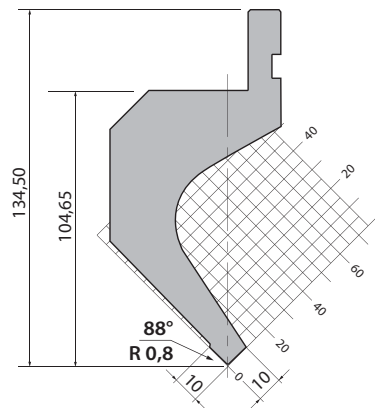
450 kN/m max.



835 mm	22.0 kg	
835 mm sections	22.0 kg	
415 mm	12.4 kg	

HP 135.88.R08T

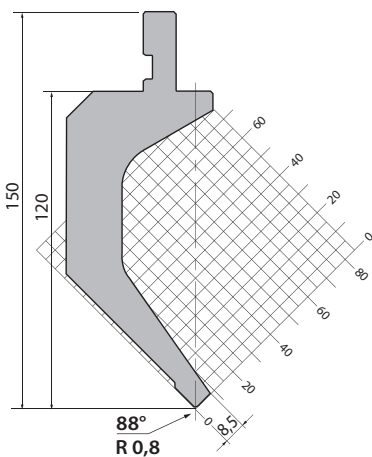
450 kN/m max.



835 mm	24.8 kg	
835 mm sections	24.8 kg	
415 mm	11.4 kg	

HP 150.88.R08

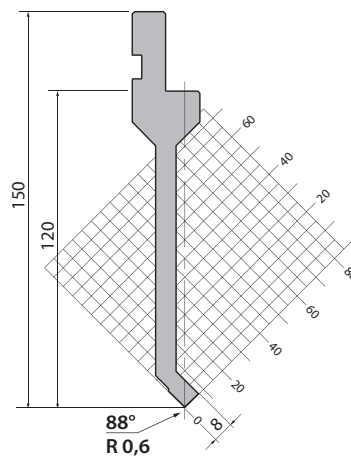
500 kN/m max.



835 mm	21.6 kg	
835 mm sections	21.6 kg	
415 mm	10.5 kg	

HP 150.88.R06

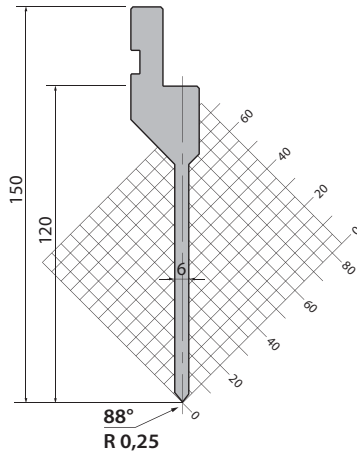
350 kN/m max.



835 mm	13.0 kg	
835 mm sections	13.0 kg	
415 mm	6.0 kg	

88° Punches

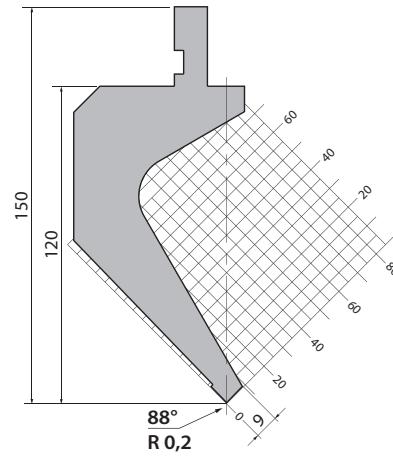
HP 150.88.R025



500 kN/m max.

835 mm	10.0 kg	
835 mm sections	10.0 kg	
415 mm	4.5 kg	

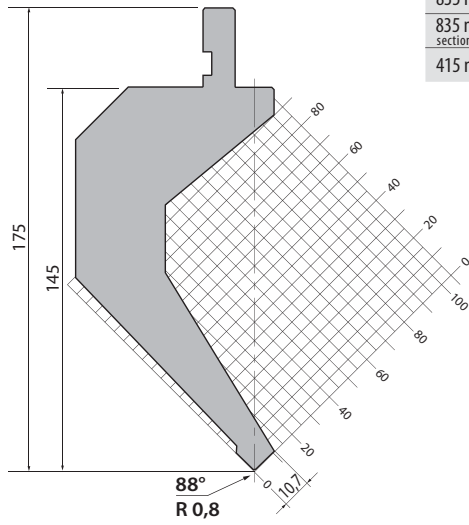
HP 150.88.R02



500 kN/m max.

835 mm	25.8 kg	
835 mm sections	25.8 kg	
415 mm	13.0 kg	

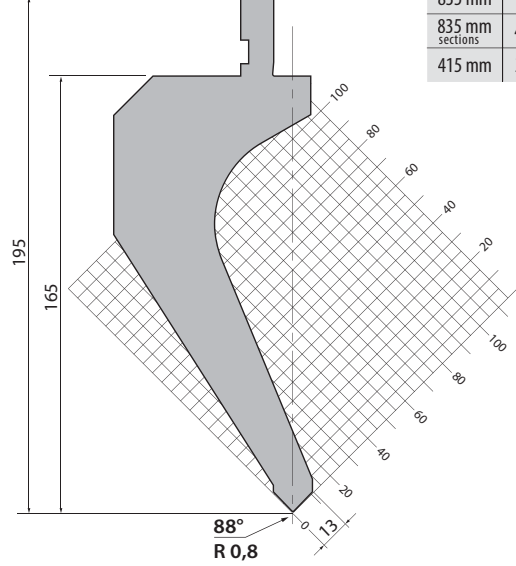
HP 175.88.R08



500 kN/m max.

835 mm	35.0 kg	
835 mm sections	35.0 kg	
415 mm	17.6 kg	

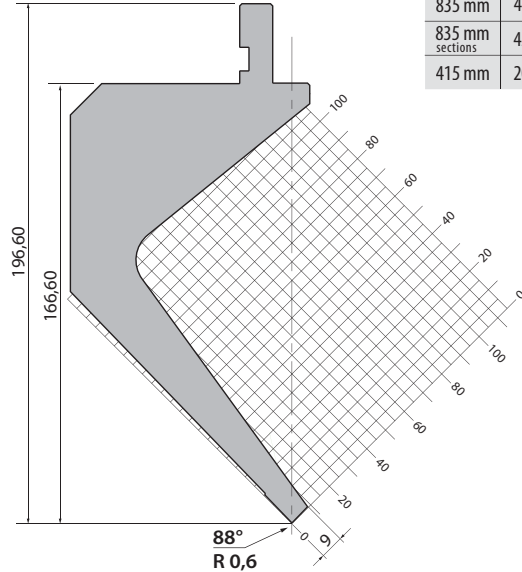
HP 195.88.R08



600 kN/m max.

835 mm	40.8 kg	
835 mm sections	40.8 kg	
415 mm	20.5 kg	

HP 196.88.R06



300 kN/m max.

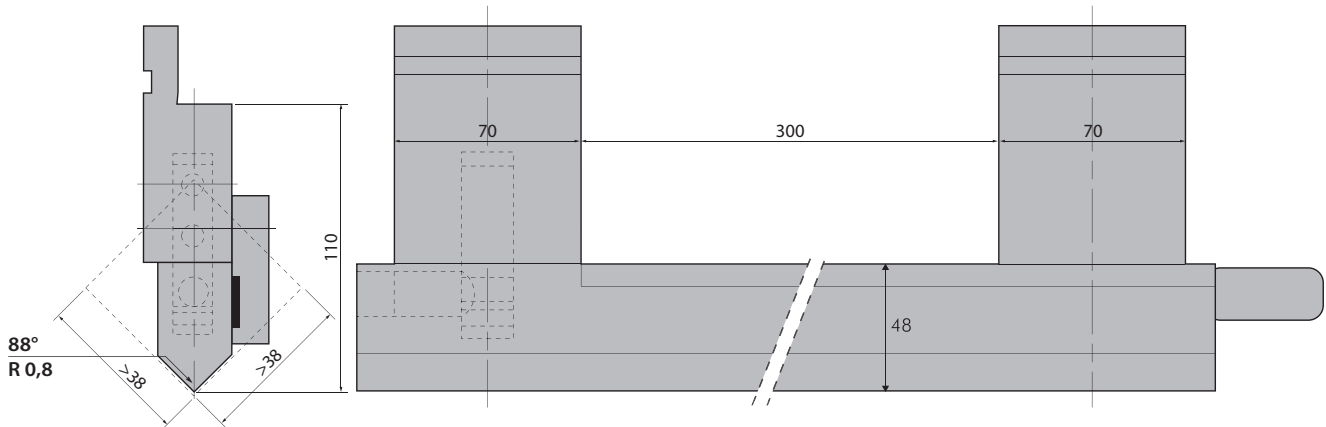
835 mm	42.0 kg	
835 mm sections	42.0 kg	
415 mm	20.8 kg	

88° Punches for Closed Profiles

PCP88.R08

150 kN/m max.

per set	7.0 kg
---------	--------

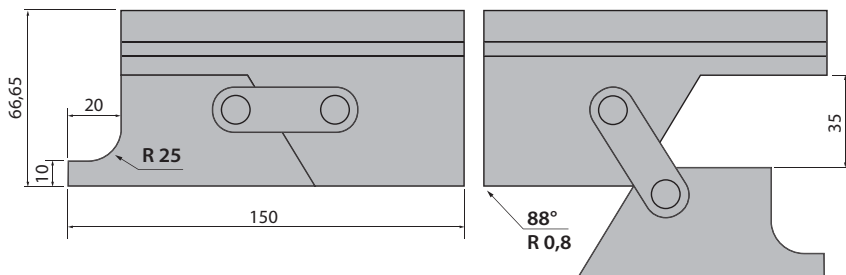


88° Segmented Punches with Mobile Horns

HMH150.88.R08

150 kN/m max.

per set	3.5 kg
---------	--------

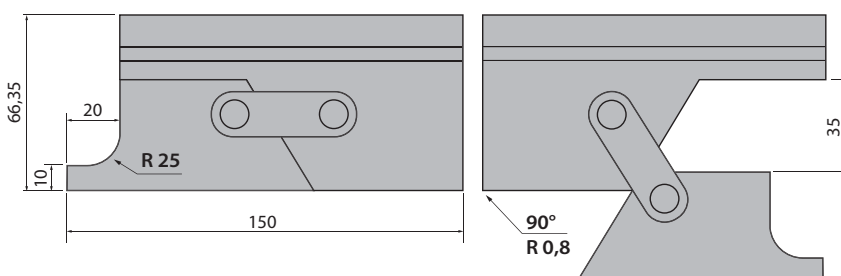


90° Segmented Punches with Mobile Horns

HMH150.90.R08

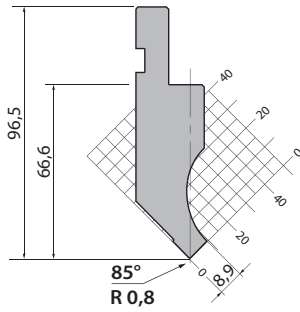
150 kN/m max.

per set	3.5 kg
---------	--------



85° Punches

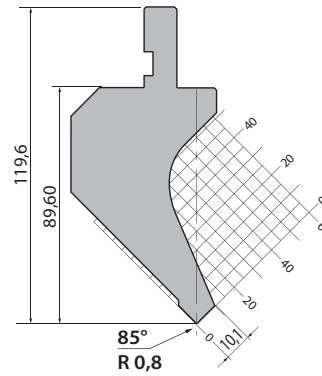
HP 97.85.R08



1000 kN/m max.

835 mm	11.0 kg	
835 mm sections	11.0 kg	
415 mm	5.6 kg	

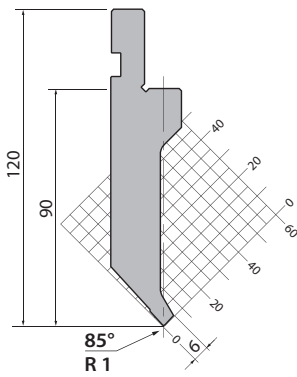
HP 120.85.R08



600 kN/m max.

835 mm	20.8 kg	
835 mm sections	20.8 kg	
415 mm	10.6 kg	

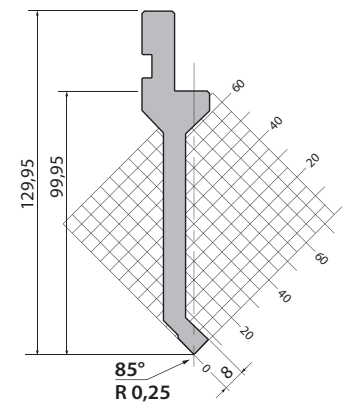
HP 120.85.R1



800 kN/m max.

835 mm	13.6 kg	
835 mm sections	13.6 kg	
415 mm	6.8 kg	

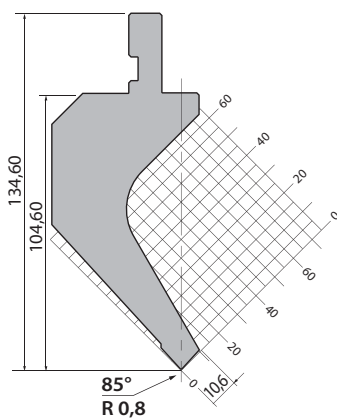
HP 130.85.R025



350 kN/m max.

835 mm	11.4 kg	
835 mm sections	11.4 kg	
415 mm	5.6 kg	

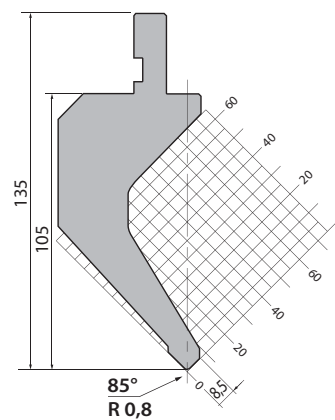
HP 135.85.R08



500 kN/m max.

835 mm	22.0 kg	
835 mm sections	22.0 kg	
415 mm	11.2 kg	

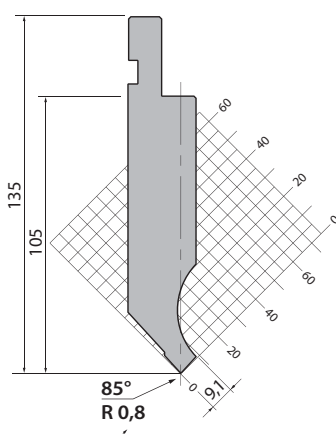
HP 135.85.R08S



800 kN/m max.

835 mm	21.0 kg	
835 mm sections	21.0 kg	
415 mm	10.4 kg	

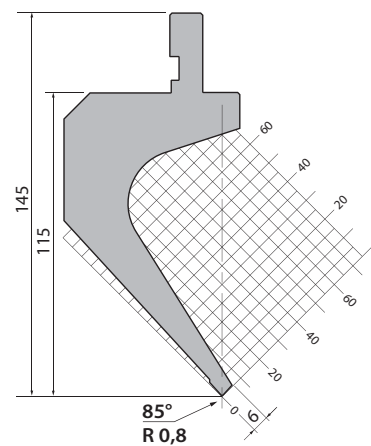
HP 135.85.R08T



1000 kN/m max.

835 mm	17.6 kg	
835 mm sections	17.6 kg	
415 mm	8.6 kg	

HP 145.85.R08



600 kN/m max.

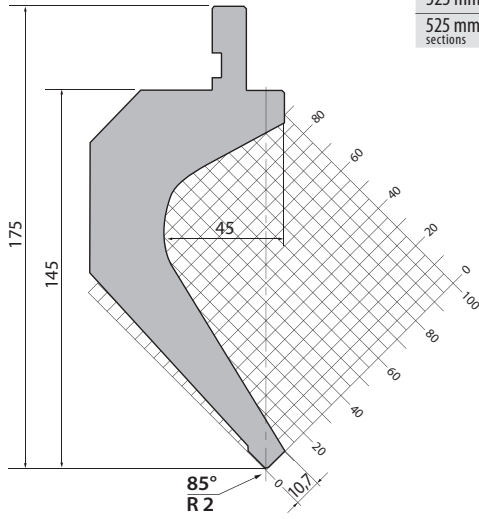
835 mm	22.8 kg	
835 mm sections	22.8 kg	
415 mm	11.2 kg	

85° Punches

HP 175.85.R2

900 kN/m max.

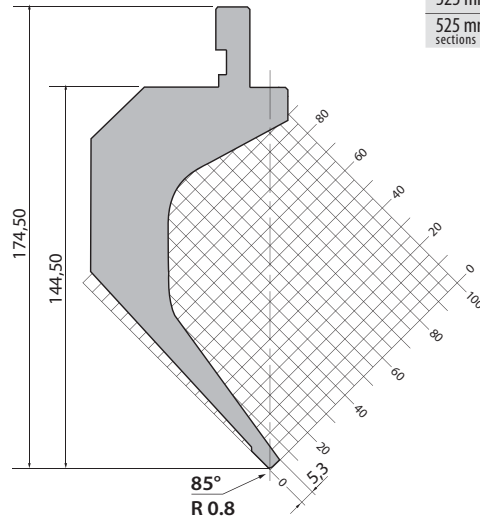
525 mm	21.0 kg	
525 mm sections	21.0 kg	



HP 175.85.R08

200 kN/m max.

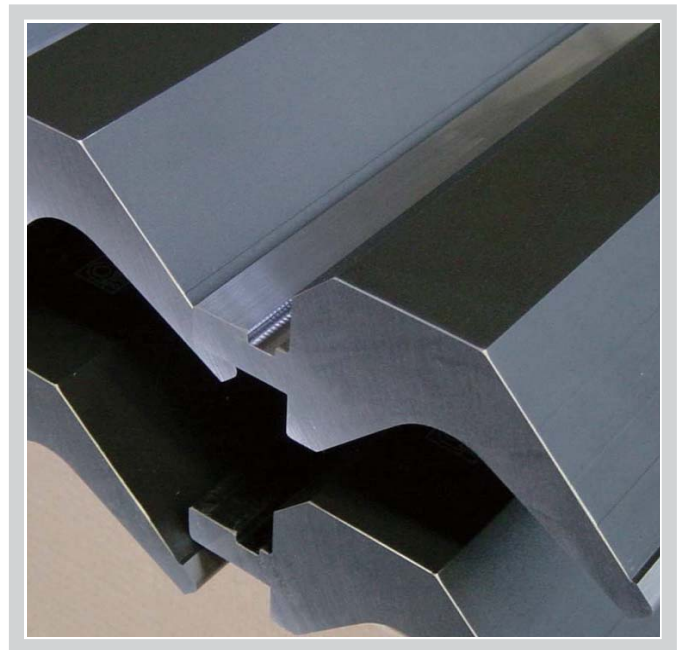
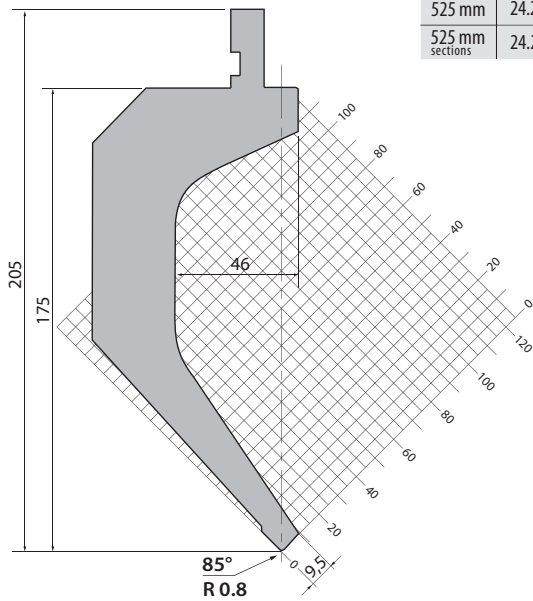
525 mm	18.6 kg	
525 mm sections	18.6 kg	



HP 205.85.R08

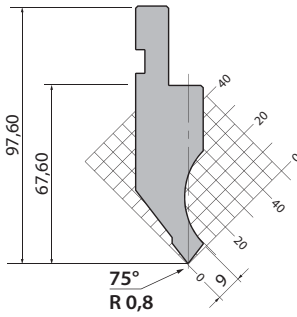
700 kN/m max.

525 mm	24.2 kg	
525 mm sections	24.2 kg	



75° Punches

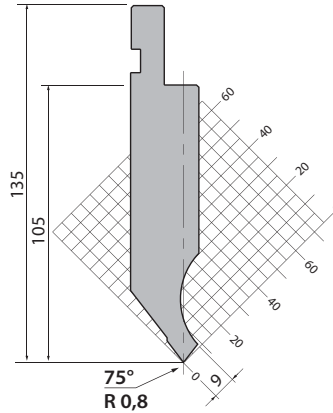
HP 97.75.R08



1000 kN/m max.

835 mm	11.0 kg
835 mm sections	11.0 kg
415 mm	5.6 kg

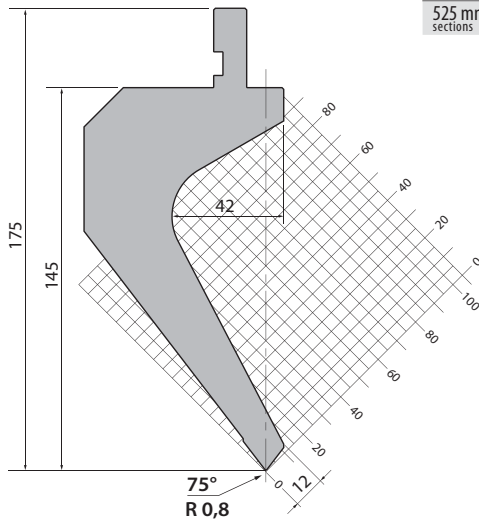
HP 135.75.R08



1000 kN/m max.

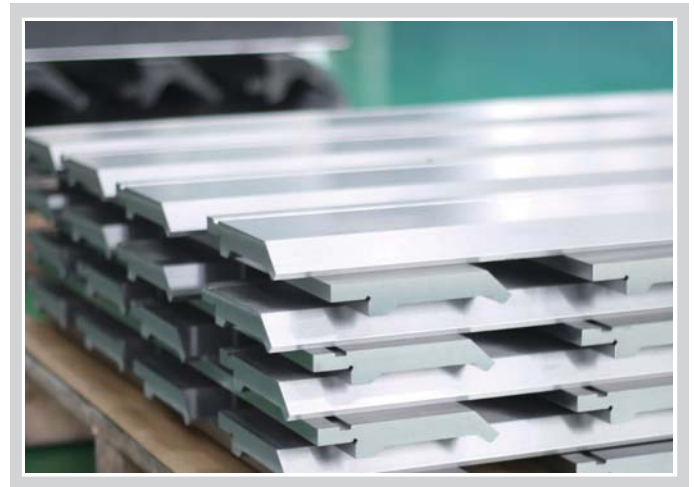
835 mm	17.6 kg
835 mm sections	17.6 kg
415 mm	8.6 kg

HP 175.75.R08



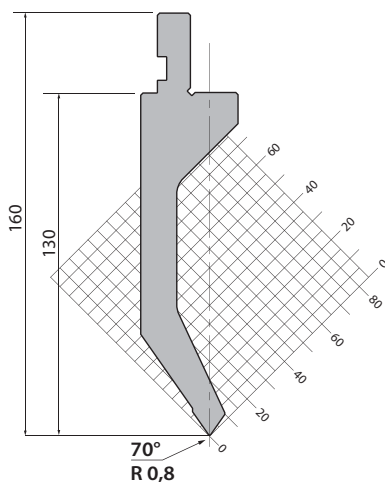
750 kN/m max.

525 mm	21.4 kg
525 mm sections	21.4 kg



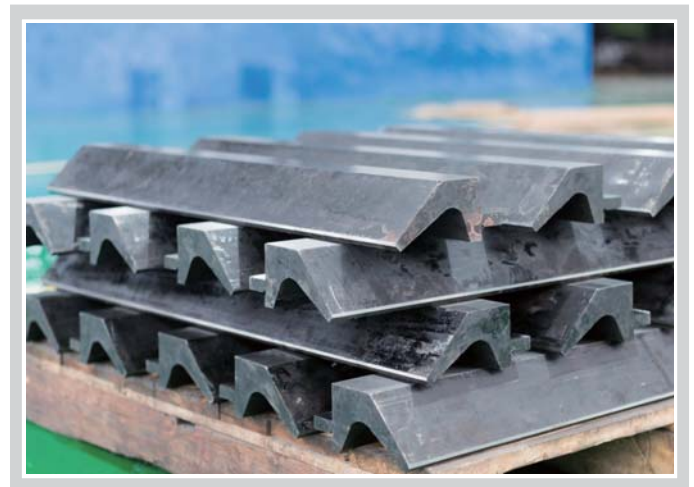
70° Punches

HP 160.70.R08



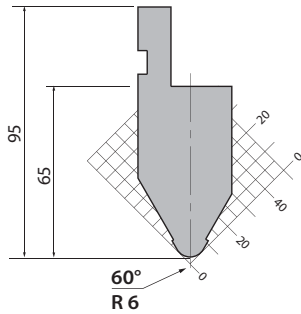
450 kN/m max.

835 mm	18.0 kg
835 mm sections	18.0 kg
415 mm	8.8 kg



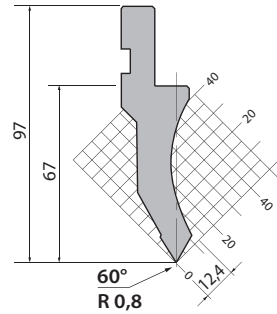
60° Punches

HP 95.60.R6



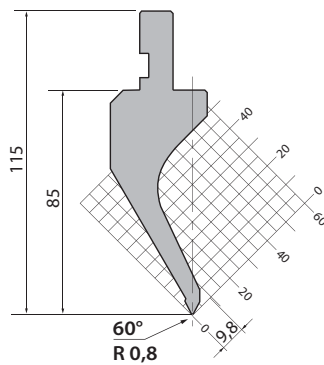
1000 kN/m max.		
835 mm	15.0 kg	
835 mm sections	15.0 kg	
415 mm	7.6 kg	

HP 97.60.R08



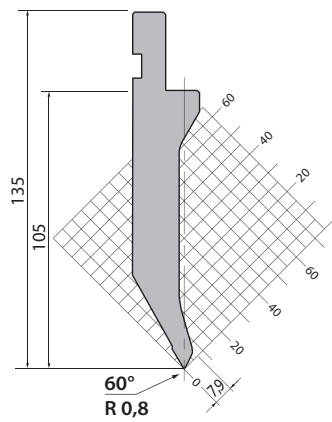
600 kN/m max.		
835 mm	9.0 kg	
835 mm sections	9.0 kg	
415 mm	4.6 kg	

HP 115.60.R08



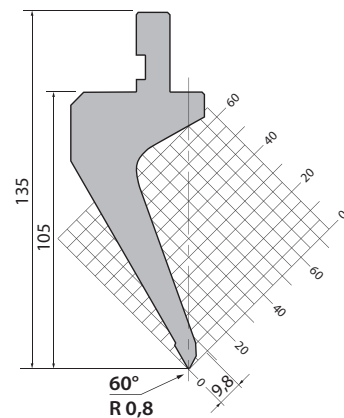
400 kN/m max.		
835 mm	12.0 kg	
835 mm sections	12.0 kg	
415 mm	6.0 kg	

HP 135.60.R08



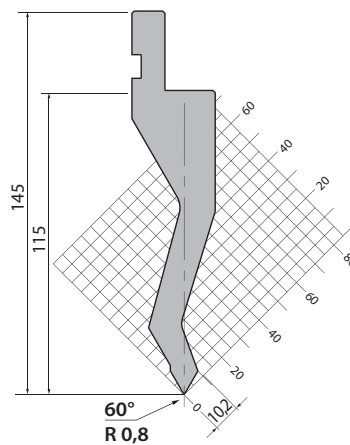
800 kN/m max.		
835 mm	13.8 kg	
835 mm sections	13.8 kg	
415 mm	7.0 kg	

HP 135.60.R08T



700 kN/m max.		
835 mm	16.4 kg	
835 mm sections	16.4 kg	
415 mm	8.6 kg	

HP 145.60.R08



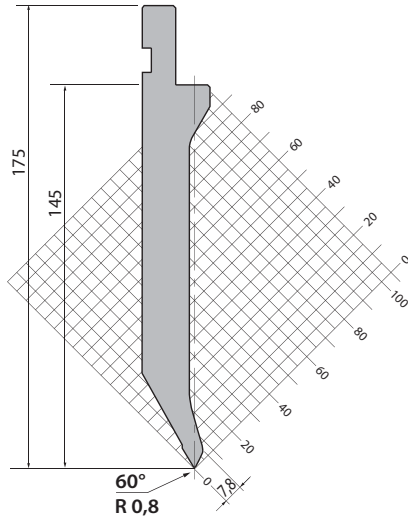
700 kN/m max.		
835 mm	15.0 kg	
835 mm sections	15.0 kg	
415 mm	7.6 kg	

60° Punches

HP 175.60.R08

800 kN/m max.

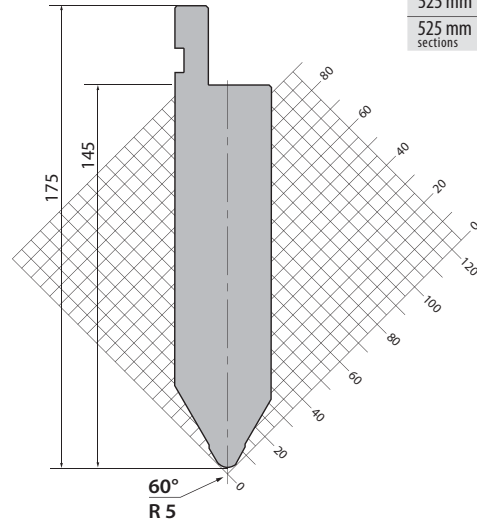
525 mm	12.0 kg	
525 mm sections	12.0 kg	



HP 175.60.R5

1600 kN/m max.

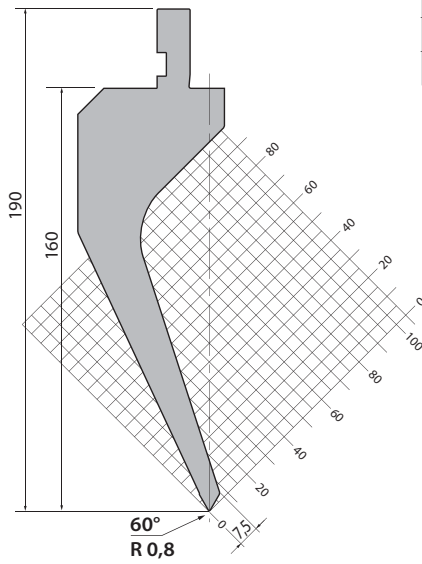
525 mm	22.0 kg	
525 mm sections	22.0 kg	



HP 190.60.R08

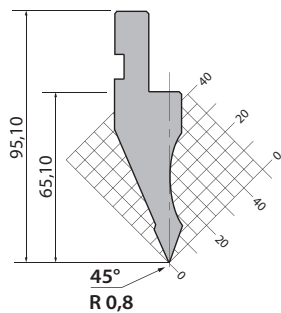
400 kN/m max.

835 mm	42.0 kg	
835 mm sections	42.0 kg	
415 mm	27.5 kg	



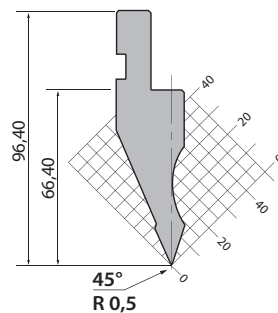
45° Punches

HP 95.45.R08



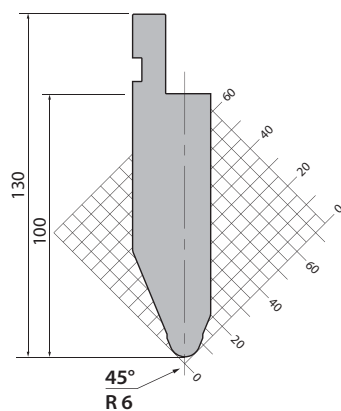
800 kN/m max.	
835 mm	9.6 kg
835 mm sections	9.6 kg
415 mm	4.2 kg

HP 97.45.R05



800 kN/m max.	
835 mm	10.4 kg
835 mm sections	10.4 kg
415 mm	5.2 kg

HP 130.45.R6

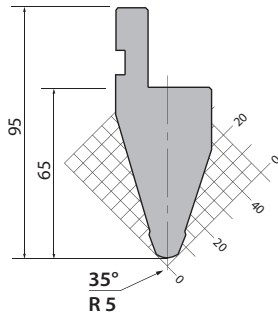


1000 kN/m max.	
835 mm	19.6 kg
835 mm sections	19.6 kg
415 mm	9.8 kg



35° Punches

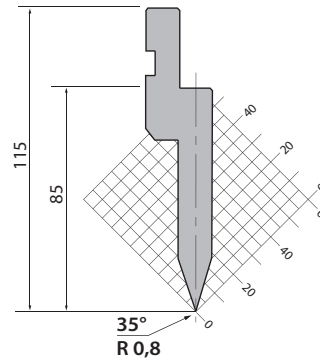
HP 95.35.R5



1000 kN/m max.

835 mm	13.6 kg	
835 mm sections	13.6 kg	
415 mm	7.0 kg	

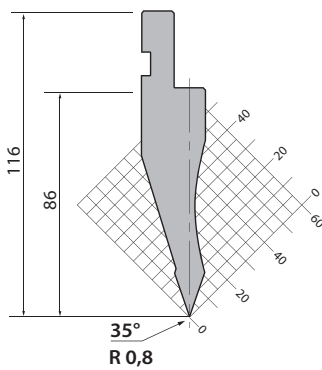
HP 115.35.R08



1000 kN/m max.

835 mm	10.8 kg	
835 mm sections	10.8 kg	
415 mm	5.6 kg	

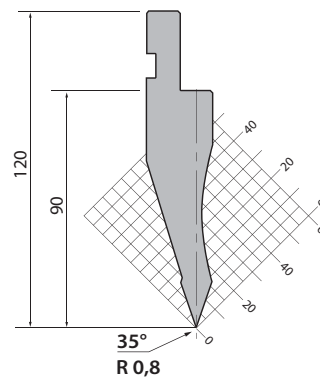
HP 116.35.R08



700 kN/m max.

835 mm	10.6 kg	
835 mm sections	0.6 kg	
415 mm	5.6 kg	

HP 120.35.R08

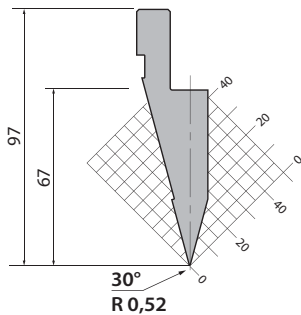


700 kN/m max.

835 mm	12.4 kg	
835 mm sections	12.4 kg	
415 mm	6.0 kg	

30° Punches

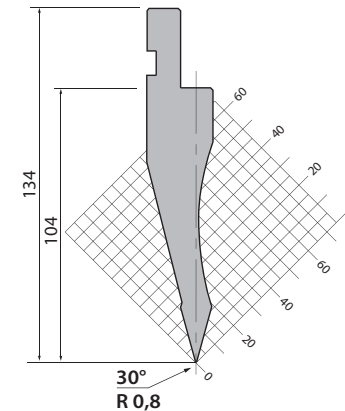
HP 97.30.R052



1000 kN/m max.

835 mm	11.0 kg	
835 mm sections	11.0 kg	
415 mm	5.6 kg	

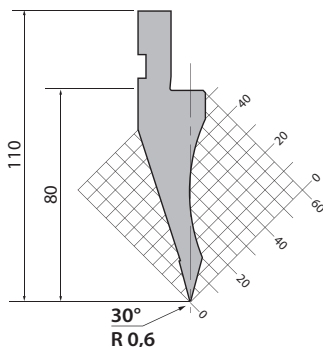
HP 134.30.R08



700 kN/m max.

835 mm	13.4 kg	
835 mm sections	13.4 kg	
415 mm	6.6 kg	

HP 110.30.R06



500 kN/m max.

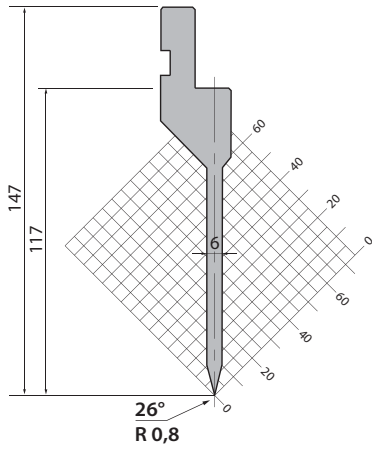
835 mm	10.6 kg	
835 mm sections	10.6 kg	
415 mm	5.2 kg	

26° Punches

HP 147.26.R08

500 kN/m max.

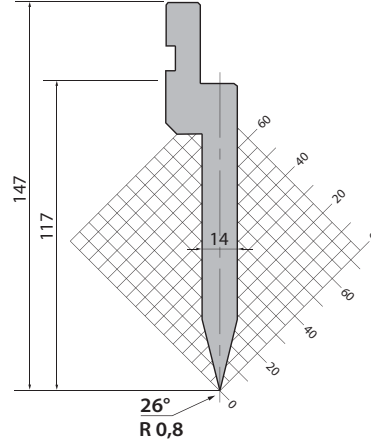
835 mm	10.0 kg	
835 mm sections	10.0 kg	
415 mm	5.0 kg	



HP 117.26.R08

1000 kN/m max.

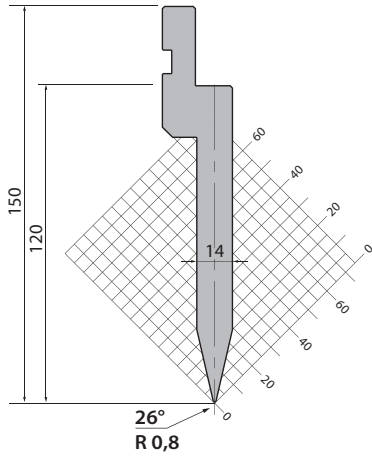
835 mm	13.6 kg	
835 mm sections	13.6 kg	
415 mm	6.5 kg	



HP 150.26.R08

1000 kN/m max.

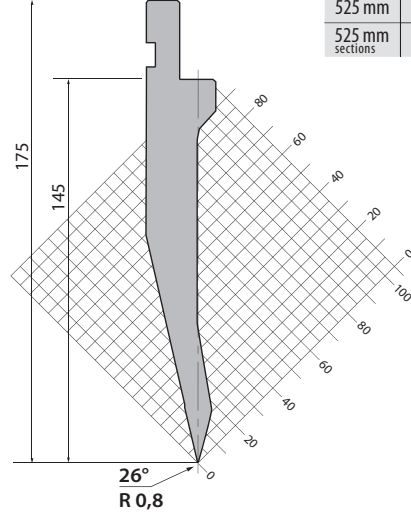
835 mm	15.0 kg	
835 mm sections	15.0 kg	
415 mm	6.4 kg	



HP 175.26.R08

950 kN/m max.

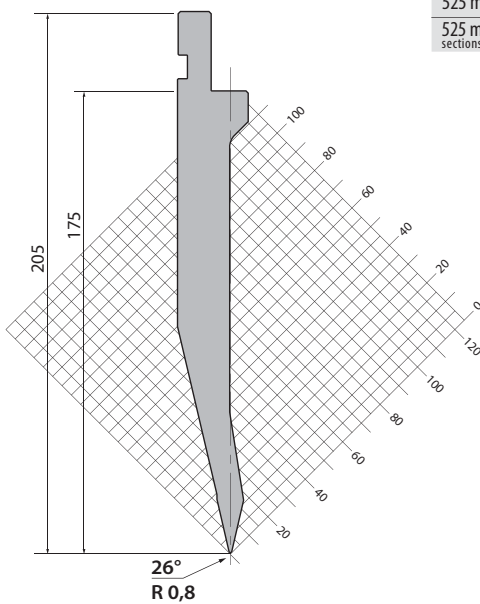
525 mm	11.0 kg	
525 mm sections	11.0 kg	



HP 205.26.R08

950 kN/m max.

525 mm	14.0 kg	
525 mm sections	14.0 kg	

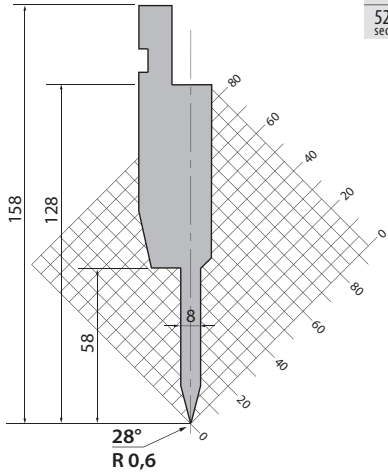


28°/24° Hemming tools

HHT 2808

800/1000 kN/m max.

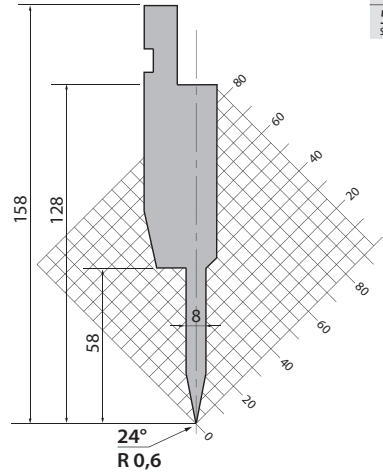
525 mm	11.0 kg
525 mm sections	11.0 kg



HHT 2408

800/1000 kN/m max.

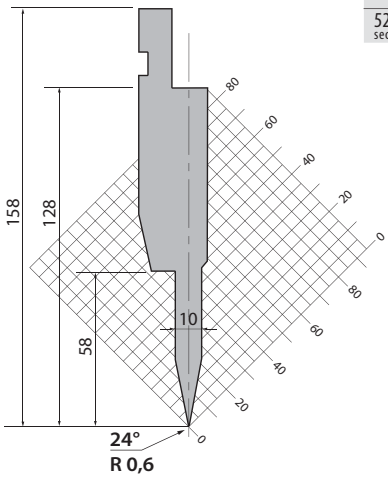
525 mm	11.0 kg
525 mm sections	1.0 kg



HHT 2410

800/1000 kN/m max.

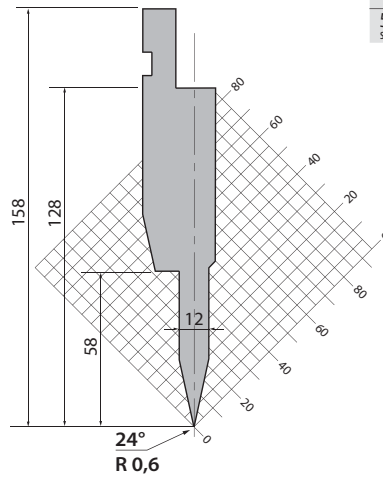
525 mm	11.0 kg
525 mm sections	11.0 kg



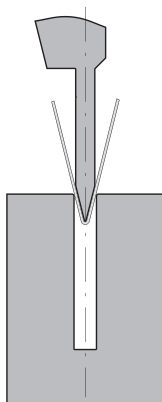
HHT 2412

800/1000 kN/m max.

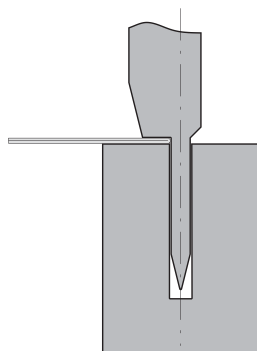
525 mm	11.4 kg
525 mm sections	11.4 kg



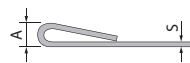
Example of application



800 kN/m max.



1000 kN/m max.



S (mm)	A (mm)	R.45 Kgf/mm ² t/m	R.70 Kgf/mm ² t/m
0.6	3.0	9	15
0.8	3.0	12	20
1.0	3.5	15	25
1.25	3.5	17	26

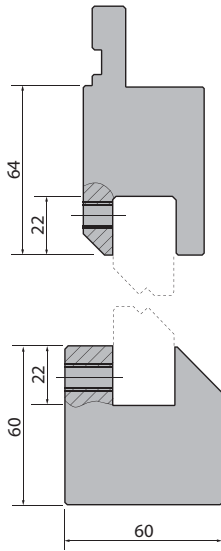
S (mm)	A (mm)	R.45 Kgf/mm ² t/m	R.70 Kgf/mm ² t/m
0.6	1.2	23	35
0.8	1.6	32	50
1.0	1.0	40	60
1.25	2.5	50	80

Z Type Tools

HZPT

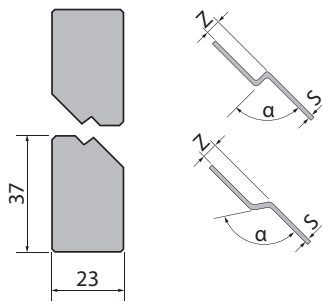
1000 kN/m max.

835 mm	38.0 kg	
415 mm	18.6 kg	



Z-Tool Inserts 160° / 150° / 140° / 90°

1000 kN/m max.



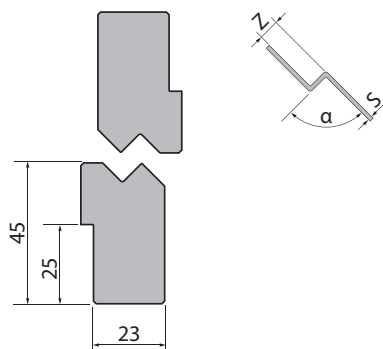
Model	Z (mm)	α	S* (mm)	1000 kN/m max.	
				Weight	Weight
HZ 1.0	1.0	160°	1.2	11.0 kg	5.5 kg
HZ 1.5	1.5	160°	1.5	11.0 kg	5.5 kg
HZ 2.0	2.0	150°	1.4	11.0 kg	5.5 kg
HZ 2.5	2.5	140°	1.3	11.0 kg	5.5 kg
HZ 1.0/90	1.0	90°	0.3	11.0 kg	5.5 kg
HZ 1.5/90	1.5	90°	0.3	11.0 kg	5.5 kg
HZ 2.0/90	2.0	90°	0.4	11.0 kg	5.5 kg
HZ 2.5/90	2.5	90°	0.5	11.0 kg	5.5 kg
HZ 3.0	3.0	90°	1.0	10.2 kg	5.1 kg
HZ 3.5	3.5	90°	1.0	10.0 kg	5.0 kg
HZ 4.0	4.0	90°	1.2	10.0 kg	5.0 kg
HZ 4.5	4.5	90°	1.2	10.0 kg	5.0 kg
HZ 5.0	5.0	90°	1.3	10.0 kg	5.0 kg
HZ 5.5	5.5	90°	1.4	10.0 kg	5.0 kg
HZ 6.0	6.0	90°	1.5	10.0 kg	5.0 kg
HZ 6.5	6.5	90°	1.5	10.0 kg	5.0 kg
HZ 7.0	7.0	90°	1.5	10.0 kg	5.0 kg
HZ 7.5	7.5	90°	1.6	10.0 kg	5.0 kg
HZ 8.0	8.0	90°	1.6	10.0 kg	5.0 kg

835 mm

415 mm

Z-Tool Inserts 90°

1000 kN/m max.



Model	Z (mm)	α	S* (mm)	1000 kN/m max.	
				Weight	Weight
HZ 9.0	9	90°	1.8	13.4 kg	6.4 kg
HZ 10.0	10	90°	1.8	13.4 kg	6.4 kg
HZ 11.0	11	90°	2	13.4 kg	6.4 kg
HZ 12.0	12	90°	2	13.4 kg	6.4 kg
HZ 13.0	13	90°	2	13.4 kg	6.4 kg
HZ 14.0	14	90°	2	13.4 kg	6.4 kg
HZ 15.0	15	90°	2.3	13.4 kg	6.4 kg

835 mm

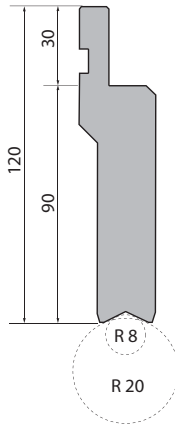
415 mm

Radius Tools

HRT 120.08

1000 kN/m max.

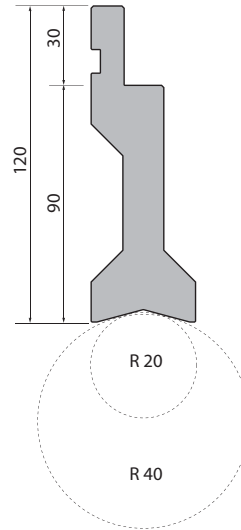
525 mm	11.0 kg	
525 mm sections	11.0 kg	



HRT 120.20

1000 kN/m max.

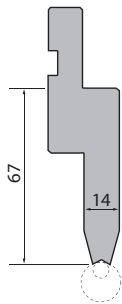
525 mm	10.6 kg	
525 mm sections	10.6 kg	



HRT 67.14S

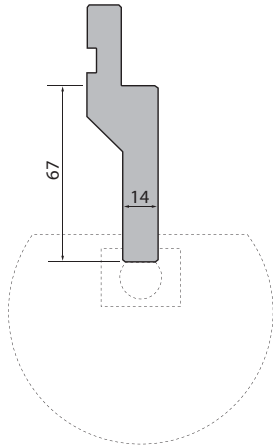
400 kN/m max.

830 mm	9.8 kg	
830 mm sections	9.8 kg	
410 mm	5.0 kg	



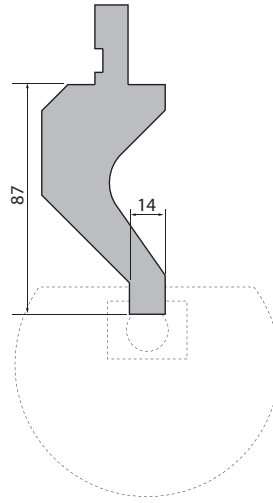
Radius Tools

HRT 67.14



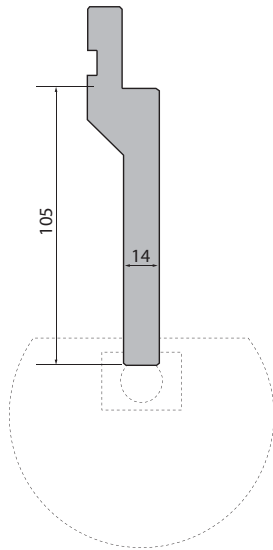
800 kN/m max.		
830 mm	9.0 kg	
830 mm sections	9.0 kg	
410 mm	4.5 kg	

HRT 87.14



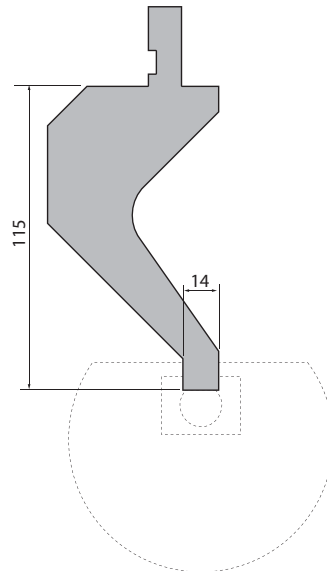
500 kN/m max.		
830 mm	9.0 kg	
830 mm sections	9.0 kg	
410 mm	4.5 kg	

HRT 105.14

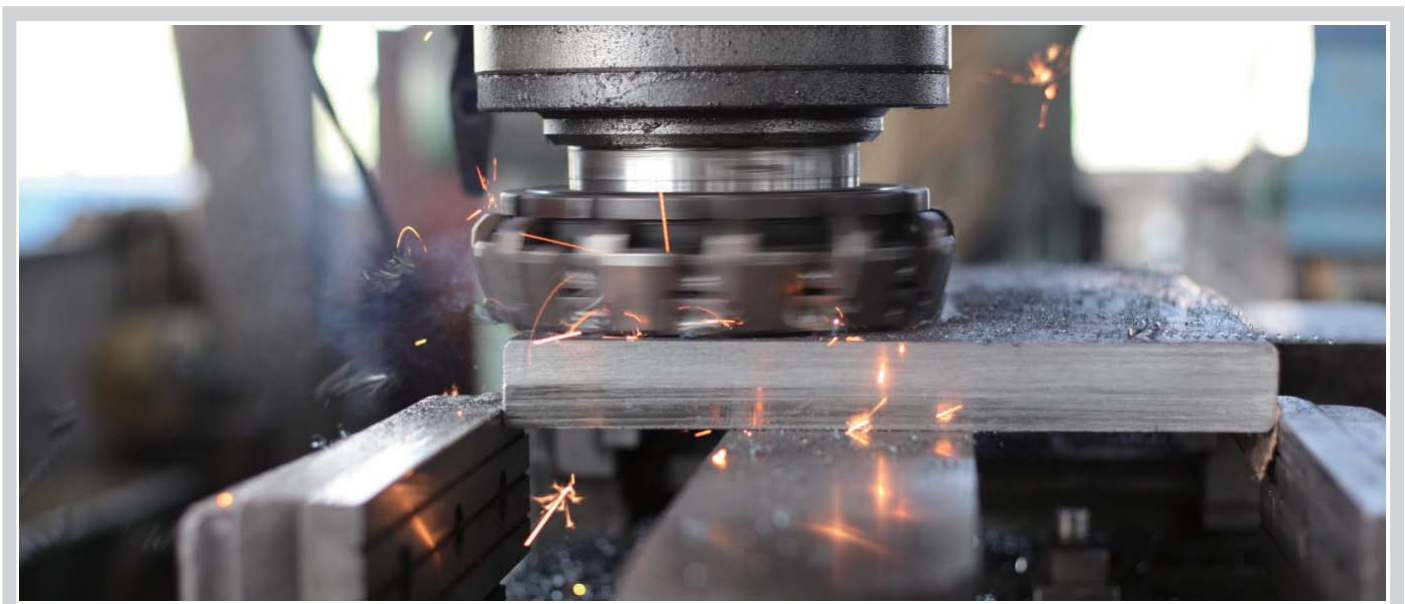


800 kN/m max.		
830 mm	12.0 kg	
830 mm sections	12.0 kg	
410 mm	6.0 kg	

HRT 115.14



500 kN/m max.		
830 mm	26.0 kg	
830 mm sections	26.0 kg	
410 mm	13.0 kg	

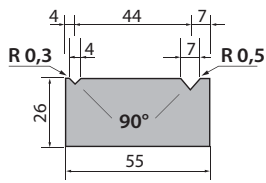


2-V Dies 90°

HD55.90.07

1000 kN/m max.

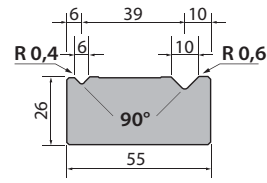
835 mm	9.2 kg	
415 mm	4.6 kg	



HD55.90.10

1000 kN/m max.

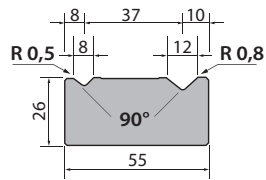
835 mm	9.2 kg	
415 mm	4.6 kg	



HD55.90.12

1000 kN/m max.

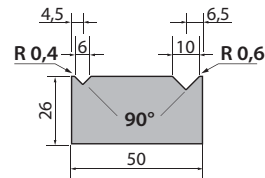
835 mm	9.2 kg	
415 mm	4.6 kg	



HD50.90.10

700 kN/m max.

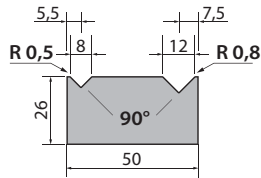
835 mm	8.2 kg	
415 mm	4.0 kg	



HD50.90.12

800 kN/m max.

835 mm	8.2 kg	
415 mm	4.0 kg	

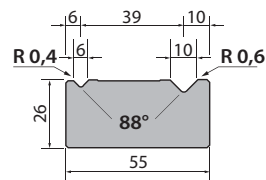


2-V Dies 88°

HD55.88.10

1000 kN/m max.

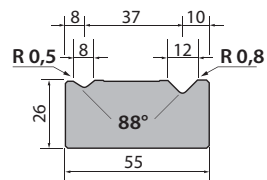
835 mm	9.2 kg	
415 mm	4.6 kg	



HD55.88.12

1000 kN/m max.

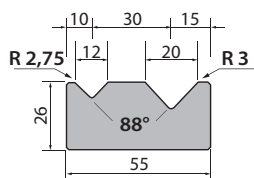
835 mm	9.2 kg	
415 mm	4.6 kg	



HD55.88.20

1000 kN/m max.

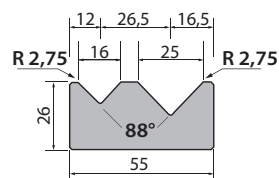
835 mm	9.2 kg	
415 mm	4.6 kg	



HD55.88.25

1000 kN/m max.

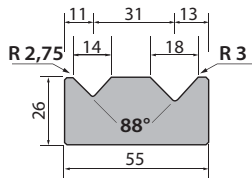
835 mm	8.2 kg	
415 mm	4.0 kg	



2-V Dies 88°

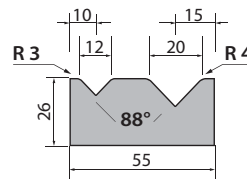
HD55.88.18

1000 kN/m max.		
835 mm	8.2 kg	
415 mm	4.0 kg	



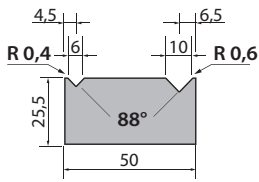
HD55.88.20

1000 kN/m max.		
835 mm	7.6 kg	
415 mm	3.8 kg	



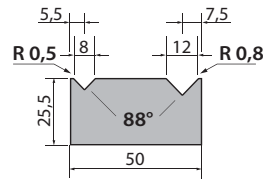
HD50.88.10

700 kN/m max.		
835 mm	8.2 kg	
415 mm	4.0 kg	



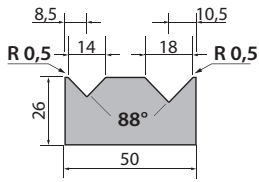
HD50.88.12

800 kN/m max.		
835 mm	8.2 kg	
415 mm	4.0 kg	



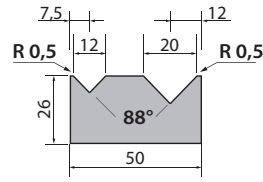
HD50.88.18

1000 kN/m max.		
835 mm	7.8 kg	
415 mm	3.8 kg	



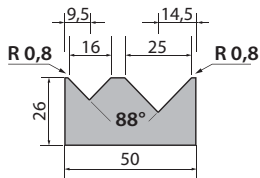
HD50.88.20

1000 kN/m max.		
835 mm	7.8 kg	
415 mm	3.8 kg	



HD50.88.25

700 kN/m max.		
835 mm	7.2 kg	
415 mm	3.5 kg	

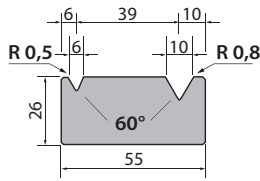


2-V Dies 60°

HD55.60.10

600 kN/m max.

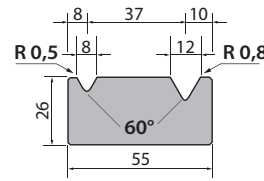
835 mm	9.2 kg	
415 mm	4.5 kg	



HD55.60.12

800 kN/m max.

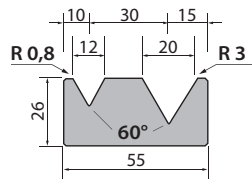
835 mm	9.2 kg	
415 mm	4.5 kg	



HD55.60.20

800 kN/m max.

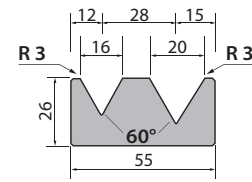
835 mm	8.2 kg	
415 mm	4.0 kg	



HD55.60.20S

800 kN/m max.

835 mm	8.2 kg	
415 mm	4.0 kg	

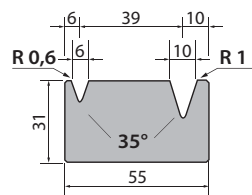


2-V Dies 35°

HD55.35.10

300 kN/m max.

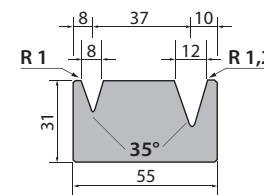
835 mm	11.2 kg	
415 mm	.6 k	



HD55.35.12

300 kN/m max.

835 mm	11.2 kg	
415 mm	5.6 kg	

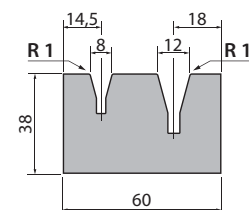


2-V Dies 30°

HD60.30.12

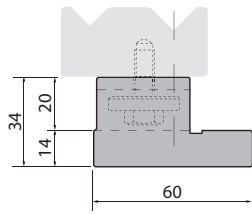
300 kN/m max.

835 mm		13.6 kg
415 mm		5.8 kg



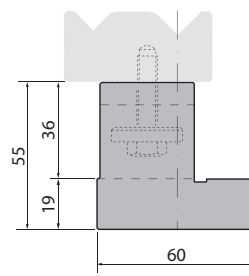
Die Holders for 2-V Dies

HDH34



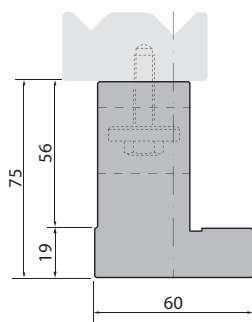
830 mm	9.2 kg	
410 mm	4.6 kg	

HDH55



830 mm	14.6 kg	
410 mm	7.3 kg	

HDH75

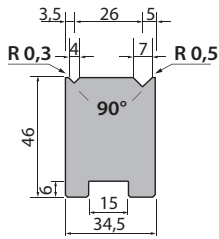


830 mm	20.8 kg	
410 mm	10.3 kg	



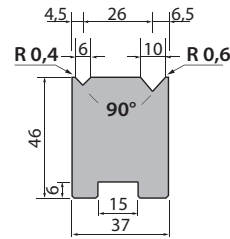
Self Centering 2-V Dies 90°

HD46.90.07



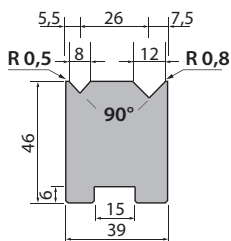
800 kN/m max.		
835 mm	9.8 kg	
835 mm sections	9.8 kg	
415 mm	4.8 kg	

HD46.90.10



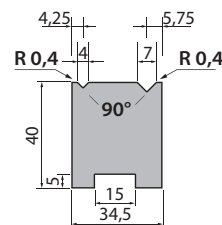
800 kN/m max.		
835 mm	10.4 kg	
835 mm sections	10.4 kg	
415 mm	5.2 kg	

HD46.90.12



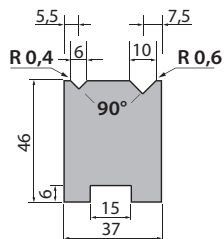
800 kN/m max.		
835 mm	10.2 kg	
835 mm sections	10.2 kg	
415 mm	5.0 kg	

HD40.90.07



600 kN/m max.		
835 mm	9.8 kg	
835 mm sections	9.8 kg	
415 mm	4.8 kg	

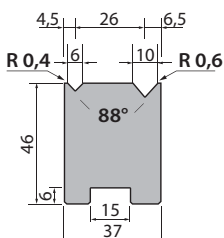
HD46.90.10S



700 kN/m max.		
835 mm	10.8 kg	
835 mm sections	10.8 kg	
415 mm	5.4 kg	

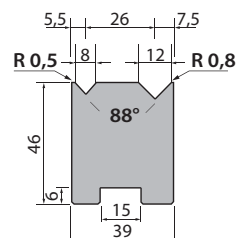
Self Centering 2-V Dies 88°

HD46.88.10



800 kN/m max.		
835 mm	10.4 kg	
835 mm sections	10.4 kg	
415 mm	5.3 kg	

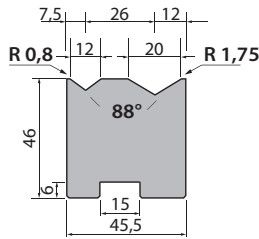
HD46.88.12



800 kN/m max.		
835 mm	11.2 kg	
835 mm sections	11.2 kg	
415 mm	5.6 kg	

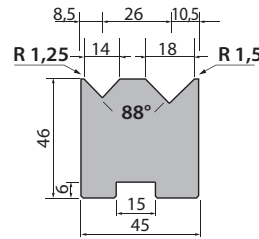
Self Centering 2-V Dies 88°

HD46.88.20



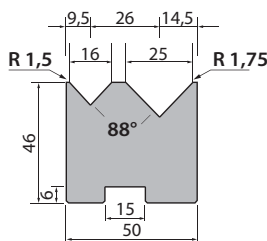
800 kN/m max.		
835 mm	12.2 kg	
835 mm sections	12.2 kg	
415 mm	6.0 kg	

HD46.88.18



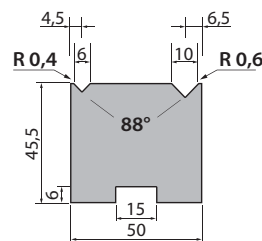
800 kN/m max.		
835 mm	12.8 kg	
835 mm sections	12.8 kg	
415 mm	6.3 kg	

HD46.88.25



800 kN/m max.		
835 mm		
835 mm sections		
415 mm		

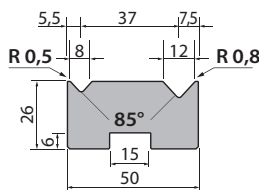
HD455.88.10



700 kN/m max.		
835 mm	17.4 kg	
835 mm sections	17.4 kg	
415 mm	8.6 kg	

Self Centering 2-V Dies 85°

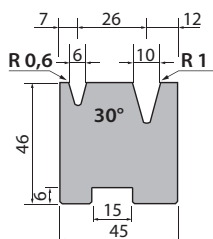
HD26.85.12



1000 kN/m max.		
835 mm	9.2 kg	
835 mm sections	9.2 kg	
415 mm	4.6 kg	

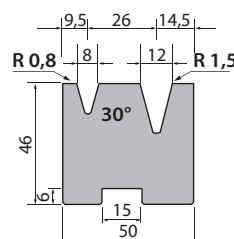
Self Centering 2-V Dies 30°

HD46.30.10



400 kN/m max.		
835 mm	12.4 kg	
835 mm sections	12.4 kg	
415 mm	6.2 kg	

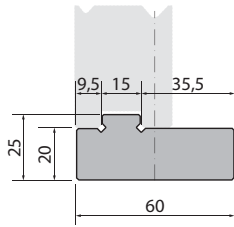
HD46.30.12



400 kN/m max.		
835 mm	13.4 kg	
835 mm sections	13.4 kg	
415 mm	6.6 kg	

Die Holders for Self Centering 2-V Dies

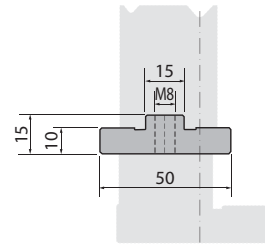
HDH6025



1000 kN/m max.

835 mm	7.6 kg	
415 mm	3.8 kg	

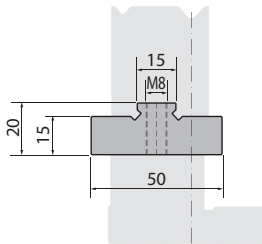
HDH5015



1000 kN/m max.

835 mm	4.0 kg	
415 mm	2.0 kg	

HDH5020

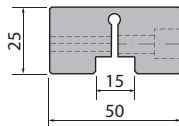


1000 kN/m max.

835 mm	5.6 kg	
415 mm	2.8 kg	

Clamping Piece for Self Centering 2-V Dies

HCP5025



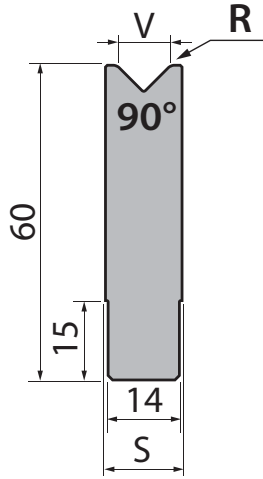
1000 kN/m max.

Pair	0.2kg	
------	-------	--



Self Centering 1-V Dies 90°

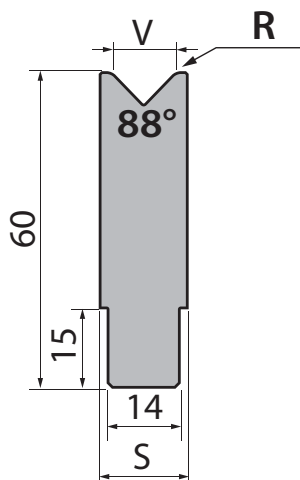
H=60 mm



				950 kN/m max.			
Model	V (mm)	R (mm)	S (mm)	835 mm	Weight	415 mm	Weight
HD60.90.06	6	1.5	14		5.6 kg		2.8 kg
HD60.90.08	8	1.5	14		5.6 kg		2.8 kg
HD60.90.10	10	2.0	15		6.0 kg		3.0 kg
HD60.90.12	12	2.5	15		6.0 kg		3.0 kg

Self Centering 1-V Dies 88°

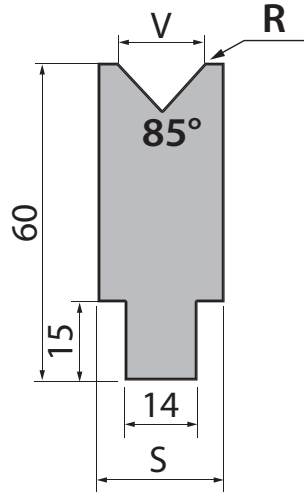
H=60 mm



				1000 kN/m max.			
Model	V (mm)	R (mm)	S (mm)	835 mm	Weight	415 mm	Weight
HD60.88.04	4	0.6	14		5.3 kg		2.6 kg
HD60.88.06	6	0.8	14		5.3 kg		2.6 kg
HD60.88.08	8	1.0	14		5.3 kg		2.6 kg
HD60.88.10	10	1.2	18		5.7 kg		2.8 kg
HD60.88.12	12	1.5	18		6.1 kg		3.0 kg
HD60.88.16	16	2.0	24		7.0 kg		3.5 kg
HD60.88.20	20	2.0	30		7.9 kg		4.0 kg
HD60.88.25	25	3.0	35		9.1 kg		4.6 kg

Self Centering 1-V Dies 85°

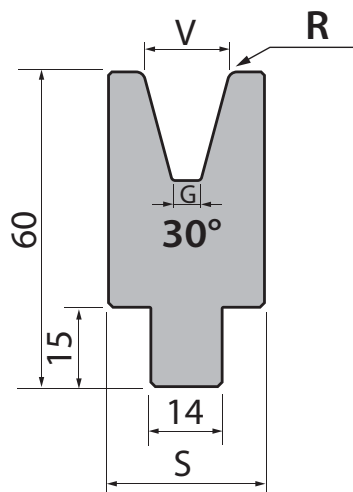
H=60 mm



					1000 kN/m max.	
Model	V (mm)	R (mm)	S (mm)		Weight	Weight
HD60.85.04	4	0.6	14	83.5 mm	415 mm	2.7 kg
HD60.85.06	6	0.8	14			2.7 kg
HD60.85.08	8	1.0	14			2.7 kg
HD60.85.10	10	1.2	18			2.8 kg
HD60.85.12	12	1.5	18			3.1 kg
HD60.85.16	16	2.0	24			3.6 kg
HD60.85.20	20	2.0	30			4.0 kg
HD60.85.25	25	3.0	35			4.5 kg

Self Centering 1-V Dies 30°

H=60 mm/65 mm



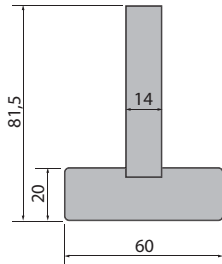
					500 kN/m max.		
Model	V (mm)	R (mm)	G (mm)	S (mm)		Weight	
HD60.30.06	6	0.6	-	14	83.5 mm	415 mm	3.0 kg
HD60.30.08	8	0.8	2	18			3.3 kg
HD60.30.10	10	1.0	2	24			3.9 kg
HD60.30.12	12	1.5	2	24			3.9 kg
HD60.30.16	16	2.0	5	30			4.7 kg
HD60.30.20	20	2.5	5	35			8.0 kg
HD60.30.25	25	3.0	8	45			6.4 kg
							13.0 kg

Die Holders for Self Centering 1-V Dies

HDH815

1000 kN/m max.

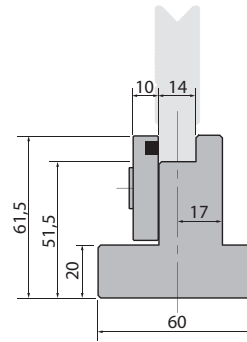
835 mm	12.8 kg	
415 mm	6.4 kg	



HDH615A

1000 kN/m max.

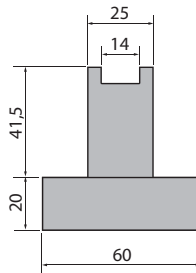
835 mm	15.0 kg	
415 mm	7.4 kg	



HDH615B

950 kN/m max.

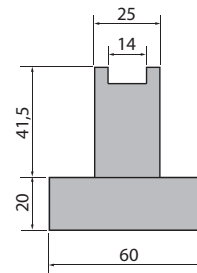
1050 mm	17.6 kg	
---------	---------	--



HDH615C

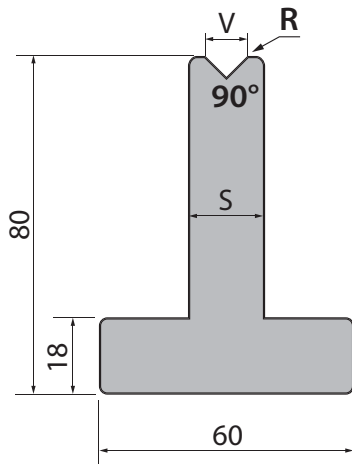
950 kN/m max.

1260 mm	21.6 kg	
---------	---------	--



T-Dies 90°

H=80 mm



				1000 kN/m max.	
Model	V (mm)	R (mm)	S (mm)	Weight	Weight
HTD80.90.06	6	0.4	14	13.0 kg	6.6 kg
HTD80.90.08	8	0.5	14	13.0 kg	6.6 kg
HTD80.90.10	10	0.6	18	14.2 kg	7.0 kg
HTD80.90.12	12	0.8	18	15.0 kg	7.6 kg

835 mm

415 mm

H=120 mm



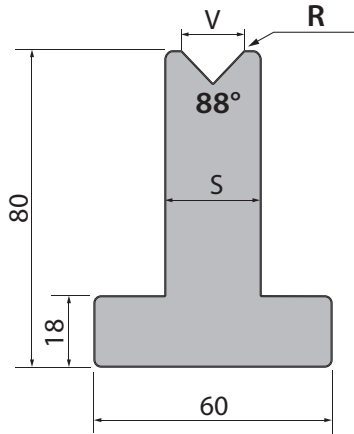
				1000 kN/m max.	
Model	V (mm)	R (mm)	S (mm)	Weight	Weight
HTD120.90.06	6	0.4	14	16.4 kg	8.2 kg
HTD120.90.08	8	0.5	14	16.4 kg	8.2 kg
HTD120.90.10	10	0.6	18	19.2 kg	9.5 kg
HTD120.90.12	12	0.8	18	19.2 kg	9.5 kg

835 mm

415 mm

T-Dies 88°

H=80 mm

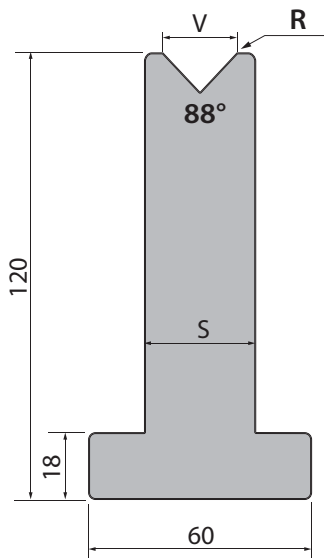


				1000 kN/m max.	
Model	V (mm)	R (mm)	S (mm)	Weight	Weight
HTD80.88.06	6	0.4	14	13.2 kg	6.5 kg
HTD80.88.06S	6	2.75	14	13.2 kg	6.5 kg
HTD80.88.08	8	0.5	14	12.4 kg	6.2 kg
HTD80.88.08S	8	2.75	14	13.2 kg	6.5 kg
HTD80.88.10	10	0.8	18	14.0 kg	7.0 kg
HTD80.88.10S	10	2.75	18	15.2 kg	7.6 kg
HTD80.88.12	12	2.75	18	14.2 kg	7.1 kg
HTD80.88.16	16	2.75	24	16.4 kg	8.2 kg
HTD80.88.20	20	3.0	30	18.6 kg	9.3 kg
HTD80.88.25	25	3.0	35	20.6 kg	10.2 kg

835 mm

415 mm

H=120 mm



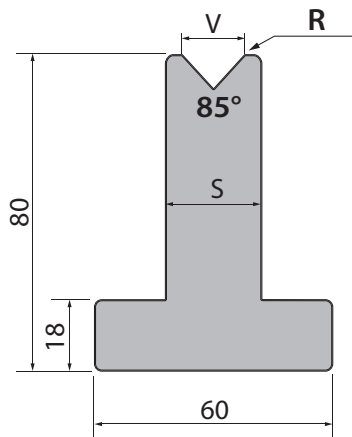
				1000 kN/m max.	
Model	V (mm)	R (mm)	S (mm)	Weight	Weight
HTD120.88.06	6	0.4	14	16.2 kg	8.1 kg
HTD120.88.06S	6	2.75	14	16.2 kg	8.1 kg
HTD120.88.08	8	0.5	14	16.2 kg	8.1 kg
HTD120.88.08S	8	2.75	14	16.2 kg	8.1 kg
HTD120.88.10	10	0.8	18	19.4 kg	9.6 kg
HTD120.88.10S	10	2.75	18	18.0 kg	9.0 kg
HTD120.88.12	12	2.75	18	19.0 kg	9.0 kg
HTD120.88.16	16	2.75	24	22.4 kg	11.0 kg
HTD120.88.20	20	3.0	30	27.4 kg	13.5 kg
HTD120.88.25	25	3.0	35	30.5 kg	15.0 kg

835 mm

415 mm

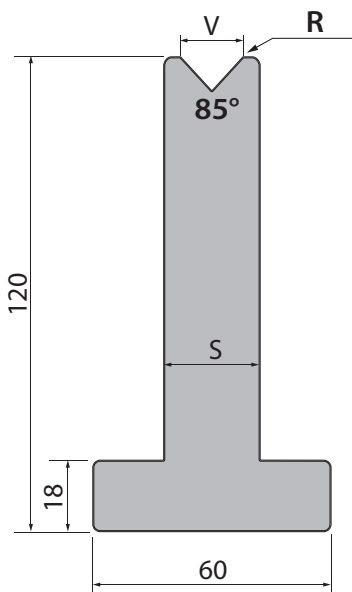
T-Dies 85°

H=80 mm



				1000 kN/m max.	
Model	V (mm)	R (mm)	S (mm)	Weight	Weight
HTD80.85.06	6	2.75	14	13.0 kg	6.5 kg
HTD80.85.08	8	2.75	14	12.4 kg	6.2 kg
HTD80.85.10	10	2.75	18	14.4 kg	7.2 kg
HTD80.85.12	12	2.75	18	14.4 kg	7.2 kg
HTD80.85.16	16	2.75	24	16.6 kg	8.3 kg
HTD80.85.20	20	3.0	30	19.0 kg	9.5 kg
HTD80.85.25	25	3.0	35	20.0 kg	10.0 kg

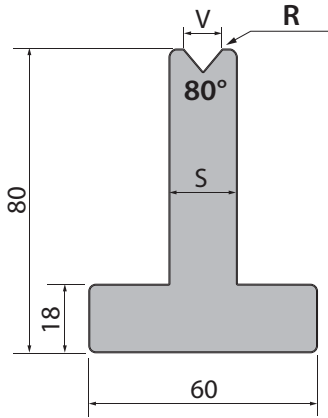
H=120 mm



				1000 kN/m max.	
Model	V (mm)	R (mm)	S (mm)	Weight	Weight
HTD120.85.06	6	2.75	14	16.2 kg	8.0 kg
HTD120.85.08	8	2.75	14	16.2 kg	8.0 kg
HTD120.85.10	10	2.75	18	19.0 kg	9.5 kg
HTD120.85.12	12	2.75	18	19.0 kg	9.5 kg
HTD120.85.16	16	2.75	24	22.8 kg	11.4 kg
HTD120.85.20	20	3.0	30	26.5 kg	13.2 kg
HTD120.85.25	25	3.0	35	30.0 kg	15.0 kg

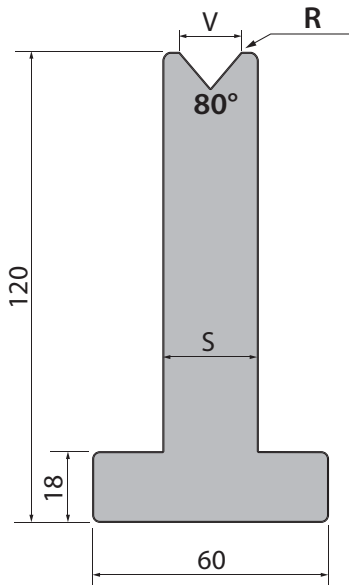
T-Dies 80°

H=80 mm



				950 kN/m max.	
Model	V (mm)	R (mm)	S (mm)	Weight	Weight
HTD80.80.06	6	2.75	14	13.2 kg	6.5 kg
HTD80.80.08	8	2.75	14	13.2 kg	6.5 kg
HTD80.80.10	10	2.75	18	13.2 kg	6.5 kg
HTD80.80.12	12	2.75	18	13.2 kg	6.5 kg
HTD80.80.16	16	2.75	24	13.2 kg	6.5 kg
HTD80.80.20	20	3.0	30	17.2 kg	8.5 kg
HTD80.80.25	25	3.0	35	20.4 kg	10.0 kg

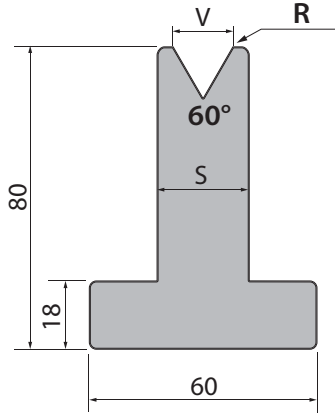
H=120 mm



				950 kN/m max.	
Model	V (mm)	R (mm)	S (mm)	Weight	Weight
HTD120.85.06	6	2.75	14	18.0 kg	9.0 kg
HTD120.85.08	8	2.75	14	18.0 kg	9.0 kg
HTD120.85.10	10	2.75	18	18.0 kg	9.0 kg
HTD120.85.12	12	2.75	18	18.0 kg	9.0 kg
HTD120.85.16	16	2.75	24	18.0 kg	9.0 kg
HTD120.85.20	20	3.0	30	26.4 kg	13.2 kg
HTD120.85.25	25	3.0	35	30.0 kg	15.0 kg

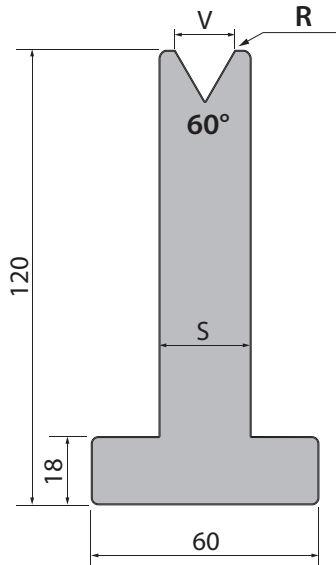
T-Dies 60°

H=80 mm



				600 kN/m max.	
Model	V (mm)	R (mm)	S (mm)	Weight	Weight
HTD80.60.06	6	0.5	14	13.2 kg	6.6 kg
HTD80.60.06S	6	1.5	14	13.2 kg	6.6 kg
HTD80.60.08	8	0.8	14	13.2 kg	6.6 kg
HTD80.60.08S	8	1.5	14	13.2 kg	6.6 kg
HTD80.60.10	10	0.8	18	14.6 kg	7.3 kg
HTD80.60.10S	10	2.75	18	15.0 kg	7.5 kg
HTD80.60.12	12	0.8	18	14.0 kg	7.0 kg
HTD80.60.12S	12	2.75	18	15.0 kg	7.5 kg
HTD80.60.16	16	2.75	24	15.6 kg	8.7 kg
HTD80.60.20	20	3.0	30	18.0 kg	9.5 kg
HTD80.60.25	25	3.0	35	19.5 kg	10.0 kg

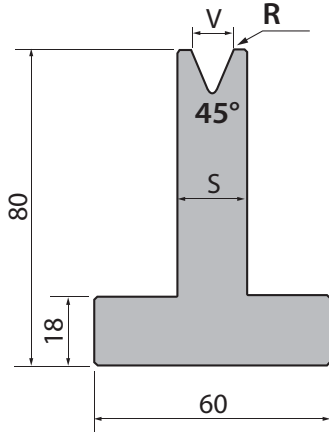
H=120 mm



				600 kN/m max.	
Model	V (mm)	R (mm)	S (mm)	Weight	Weight
HTD120.60.06	6	0.5	14	16.2 kg	8.1 kg
HTD120.60.06S	6	1.5	14	16.2 kg	8.1 kg
HTD120.60.08	8	0.8	14	16.2 kg	8.1 kg
HTD120.60.08S	8	1.5	14	16.2 kg	8.1 kg
HTD120.60.10	10	0.8	18	18.6 kg	9.3 kg
HTD120.60.10S	10	2.75	18	18.0 kg	9.0 kg
HTD120.60.12	12	0.8	18	18.0 kg	9.0 kg
HTD120.60.12S	12	2.75	18	18.0 kg	9.0 kg
HTD120.60.16	16	2.75	24	2.6 kg	11.3 kg
HTD120.60.20	20	3.0	30	26.0 kg	13.0 kg
HTD120.60.25	25	3.0	35	29.0 kg	14.8 kg

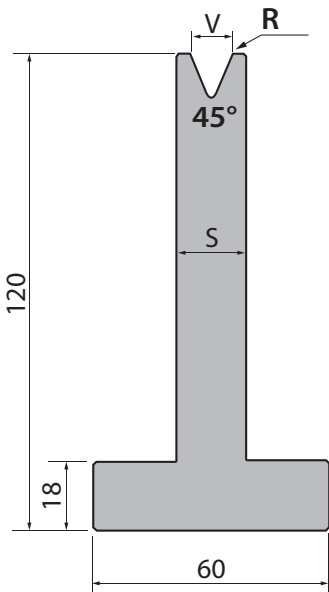
T-Dies 45°

H=80 mm



				500 kN/m max.	
Model	V (mm)	R (mm)	S (mm)	Weight	Weight
HTD80.45.06	6	0.8	14	13.0 kg	6.5 kg
HTD80.45.08	8	1.0	18	15.0 kg	7.5 kg
HTD80.45.10	10	1.2	18	14.0 kg	7.0 kg
HTD80.45.12	12	1.6	24	16.4 kg	8.2 kg
HTD80.45.16	16	2.75	26	16.6 kg	8.3 kg
HTD80.45.20	20	3.0	30	18.2 kg	9.1 kg
HTD80.45.25	25	3.0	37	20.0 kg	10.0 kg

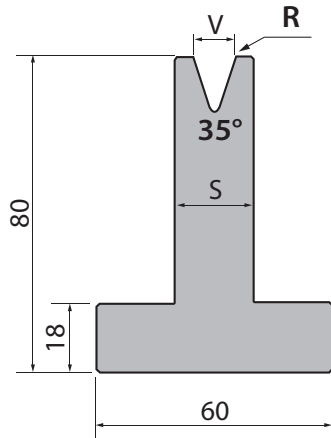
H=120 mm



				500 kN/m max.	
Model	V (mm)	R (mm)	S (mm)	Weight	Weight
HTD120.45.06	6	0.8	14	16.0 kg	8.0 kg
HTD120.45.08	8	1.0	18	18.0 kg	9.0 kg
HTD120.45.10	10	1.2	18	18.0 kg	9.0 kg
HTD120.45.12	12	1.6	24	23.0 kg	11.5 kg
HTD120.45.16	16	2.75	26	25.0 kg	12.5 kg
HTD120.45.20	20	3.0	30	26.0 kg	13.0 kg
HTD120.45.25	25	3.0	37	30.0 kg	15.0 kg

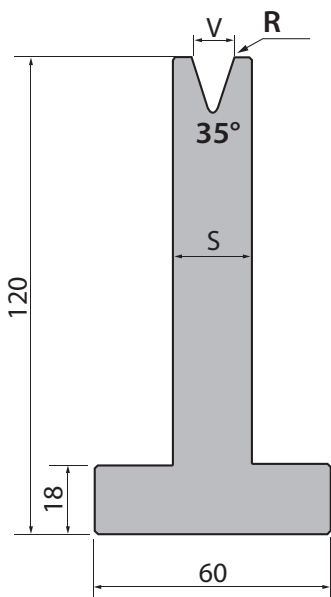
T-Dies 35°

H=80 mm



				400 kN/m max.	
Model	V (mm)	R (mm)	S (mm)	Weight	Weight
HTD80.35.06	6	0.8	14	12.8 kg	6.4 kg
HTD80.35.08	8	1.0	16	13.0 kg	6.5 kg
HTD80.35.10	10	1.2	20	15.0 kg	7.5 kg
HTD80.35.12	12	1.6	22	15.6 kg	7.8 kg
HTD80.35.16	16	3.0	30	18.0 kg	8.4 kg
HTD80.35.20	20	3.0	35	19.4 kg	9.2 kg
HTD80.35.25	25	3.0	40	20.0 kg	10.0 kg

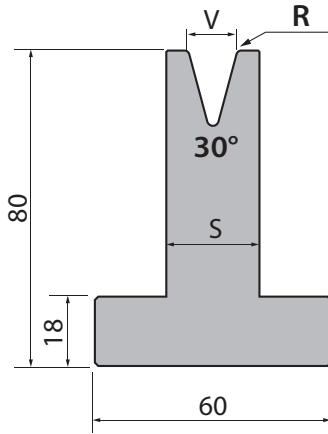
H=120 mm



				400 kN/m max.	
Model	V (mm)	R (mm)	S (mm)	Weight	Weight
HTD120.35.06	6	0.8	14	16.0 kg	8.0 kg
HTD120.35.08	8	1.0	16	18.0 kg	9.0 kg
HTD120.35.10	10	1.2	20	20.0 kg	10.0 kg
HTD120.35.12	12	1.6	22	20.8 kg	10.4 kg
HTD120.35.16	16	3.0	30	26.0 kg	13.0 kg
HTD120.35.20	20	3.0	35	28.0 kg	14.0 kg
HTD120.35.25	25	3.0	40	30.6 kg	15.3 kg

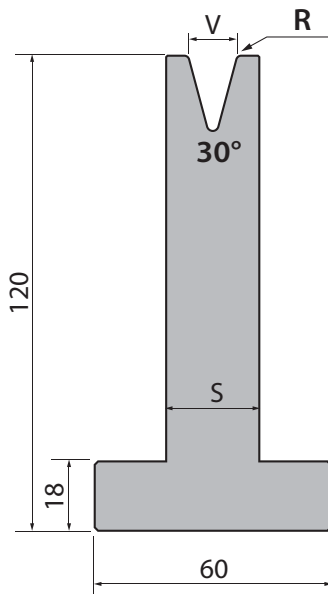
T-Dies 30°

H=80 mm



				400 kN/m max.	
Model	V (mm)	R (mm)	S (mm)	Weight	Weight
HTD80.30.06	6	0.6	14	12.6 kg	6.3 kg
HTD80.30.08	8	0.8	18	13.0 kg	6.5 kg
HTD80.30.10	10	1.0	24	16.2 kg	8.0 kg
HTD80.30.12	12	1.5	24	16.2 kg	8.0 kg
HTD80.30.16	16	2.0	30	18.0 kg	9.0 kg
HTD80.30.20	20	2.5	35	19.0 kg	9.5 kg
HTD80.30.25	25	3.0	40	20.4 kg	10.0 kg

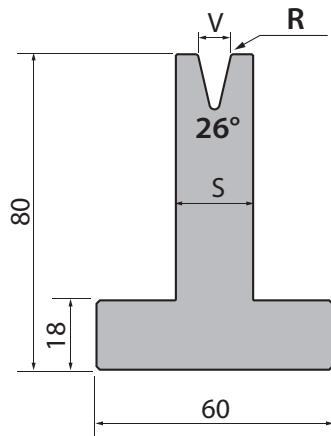
H=120 mm



				400 kN/m max.	
Model	V (mm)	R (mm)	S (mm)	Weight	Weight
HTD120.30.06	6	0.6	14	16.2 kg	8.0 kg
HTD120.30.08	8	0.8	18	19.2 kg	9.5 kg
HTD120.30.10	10	1.0	18	22.0 kg	11.0 kg
HTD120.30.12	12	1.5	24	22.0 kg	11.0 kg
HTD120.30.16	16	2.0	26	26.0 kg	13.0 kg
HTD120.30.20	20	2.5	30	28.0 kg	14.0 kg
HTD120.30.25	25	3.0	37	30.6 kg	15.3 kg

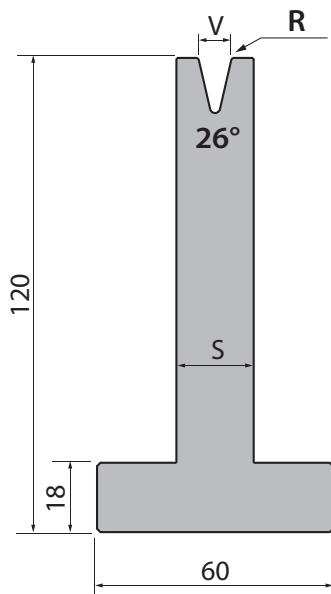
T-Dies 26°

H=80 mm



				200 kN/m max.	
Model	V (mm)	R (mm)	S (mm)	Weight	Weight
HTD80.26.06	6	0.8	16	14.2 kg	7.1 kg
HTD80.26.08	8	1.0	20	15.0 kg	7.5 kg
HTD80.26.10	10	1.2	24	15.4 kg	7.6 kg
HTD80.26.12	12	1.6	26	16.4 kg	7.8 kg

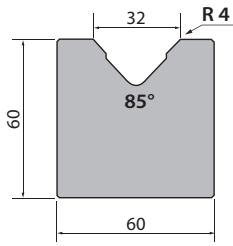
H=120 mm



				200 kN/m max.	
Model	V (mm)	R (mm)	S (mm)	Weight	Weight
HTD120.26.06	6	0.8	16	18.4 kg	9.2 kg
HTD120.26.08	8	1.0	20	19.6 kg	9.8 kg
HTD120.26.10	10	1.2	24	22.0 kg	11.0 kg
HTD120.26.12	12	1.6	26	22.0 kg	11.0 kg

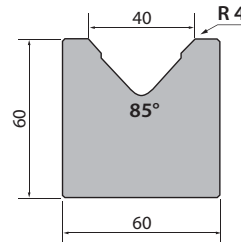
1-V Dies, 85°

HSVD60.85.32



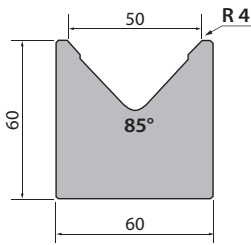
1000 kN/m max.		
835 mm	21.8 kg	
835 mm sections	21.8 kg	
415 mm	10.6 kg	

HSVD60.85.40



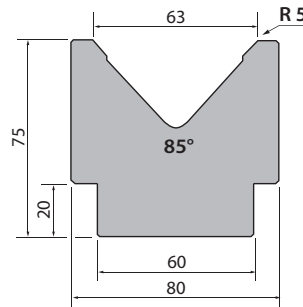
1000 kN/m max.		
835 mm	19.8 kg	
835 mm sections	19.8 kg	
415 mm	4 kg	

HSVD60.85.50



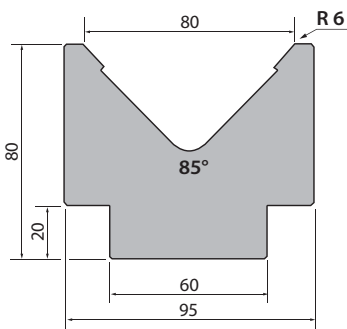
1000 kN/m max.		
835 mm	19.2 kg	
835 mm sections	19.2 kg	
415 mm	9.6 kg	

HSVD75.85.63



1000 kN/m max.		
835 mm	29.4 kg	
835 mm sections	29.4 kg	
415 mm	14.6 kg	

HSVD80.85.80



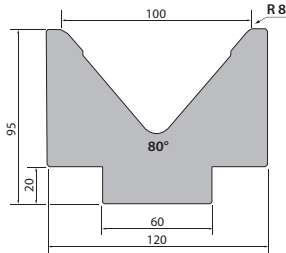
1000 kN/m max.		
835 mm	33.8 kg	
835 mm sections	33.8 kg	
415 mm	16.7 kg	

1-V Dies, 80°

HSVD95.80.100

1000 kN/m max.

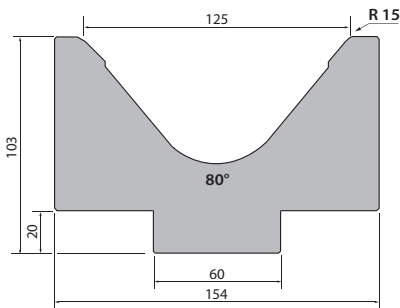
835 mm	46.6 kg	
835 mm sections	46.6 kg	
415 mm	23.0 kg	



HSVD103.80.125

700 kN/m max.

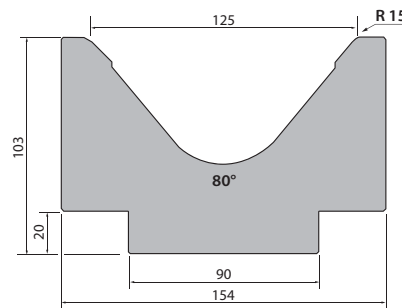
835 mm	62.8 kg	
835 mm sections	62.8 kg	
415 mm	31.2 kg	



HSVD103.80.125S

1000 kN/m max.

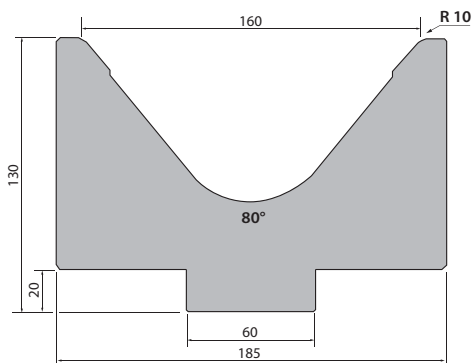
835 mm	65.0 kg	
835 mm sections	65.0 kg	
415 mm	32.4 kg	



HSVD130.80.160

700 kN/m max.

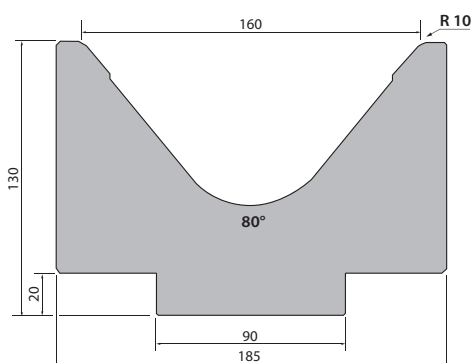
835 mm	92.8 kg	
835 mm sections	92.8 kg	
415 mm	46.3 kg	



HSVD130.80.160

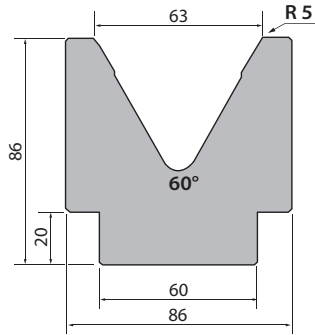
1000 kN/m max.

835 mm	92.8 kg	
835 mm sections	92.8 kg	
415 mm	46.3 kg	



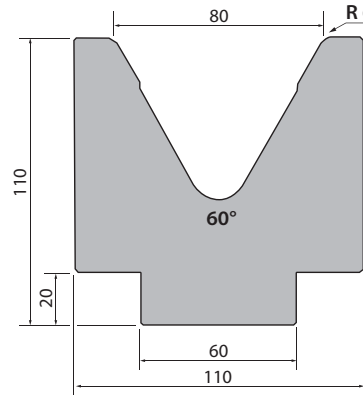
1-V Dies, 60°

HSVD86.60.63



1000 kN/m max.		
835 mm	34.2 kg	
835 mm sections	34.2 kg	
415 mm	17.0 kg	

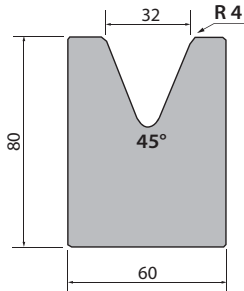
HSVD110.60.80



1000 kN/m max.		
835 mm	54.2 kg	
835 mm sections	54.2 kg	
415 mm	27.0 kg	

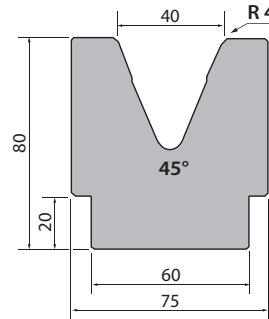
1-V Dies, 45°

HSVD80.45.32



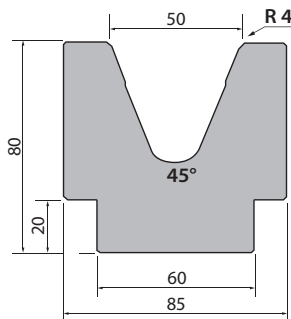
1000 kN/m max.		
835 mm	27.4 kg	
835 mm sections	27.4 kg	
415 mm	13.8 kg	

HSVD80.45.40



1000 kN/m max.		
835 mm	31.2 kg	
835 mm sections	31.2 kg	
415 mm	16.6 kg	

HSVD80.45.50

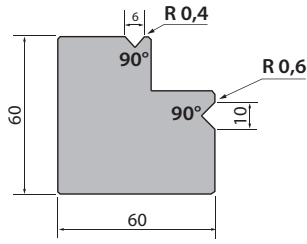


950 kN/m max.		
835 mm	31.2 kg	
835 mm sections	31.2 kg	
415 mm	15.6 kg	

Multi-V Dies

HMVD60.90A

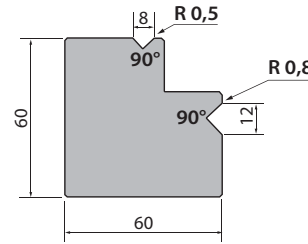
1000 kN/m max.



835 mm	20.0 kg	
835 mm sections	20.0 kg	
415 mm	10.0 kg	

HMVD60.90B

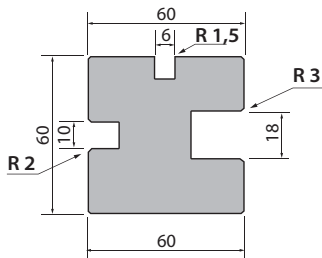
800 kN/m max.



835 mm	20.0 kg	
835 mm sections	20.0 kg	
415 mm	10.0 kg	

HMVD60X

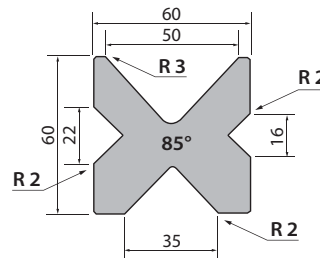
1000 kN/m max.



835 mm	20.0 kg	
835 mm sections	20.0 kg	
415 mm	10.0 kg	

HMVD60A

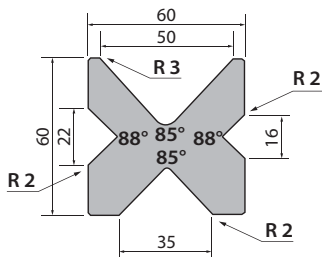
800 kN/m max.



835 mm	5.8 kg	
835 mm sections	15.8 kg	
415 mm	7.6 kg	

HMVD60B

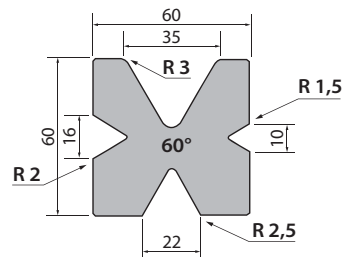
800 kN/m max.



835 mm	16.0 kg	
835 mm sections	16.0 kg	
415 mm	7.8 kg	

HMVD60C

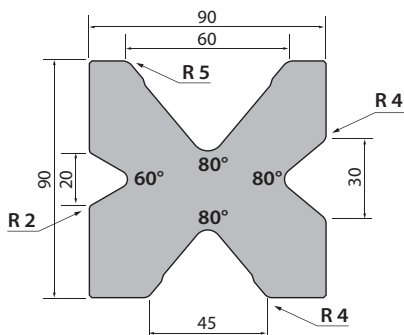
600 kN/m max.



835 mm	17.8 kg	
835 mm sections	17.8 kg	
415 mm	8.8 kg	

HMVD90A

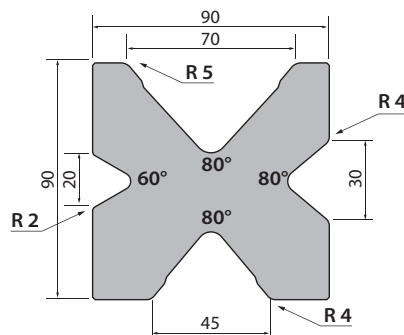
1000 kN/m max.



835 mm	39.0 kg	
835 mm sections	39.0 kg	
415 mm	19.8 kg	

HMVD90B

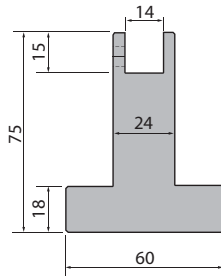
600 kN/m max.



835 mm	36.0 kg	
835 mm sections	36.0 kg	
415 mm	18.0 kg	

Synthetic Dies

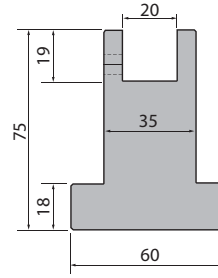
HSD75.14



1000 kN/m max.

835 mm	15.0 kg	
415 mm	7.4 kg	

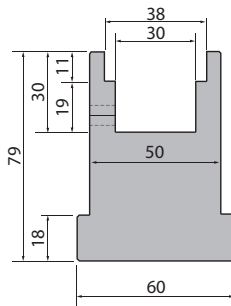
HSD75.20



1000 kN/m max.

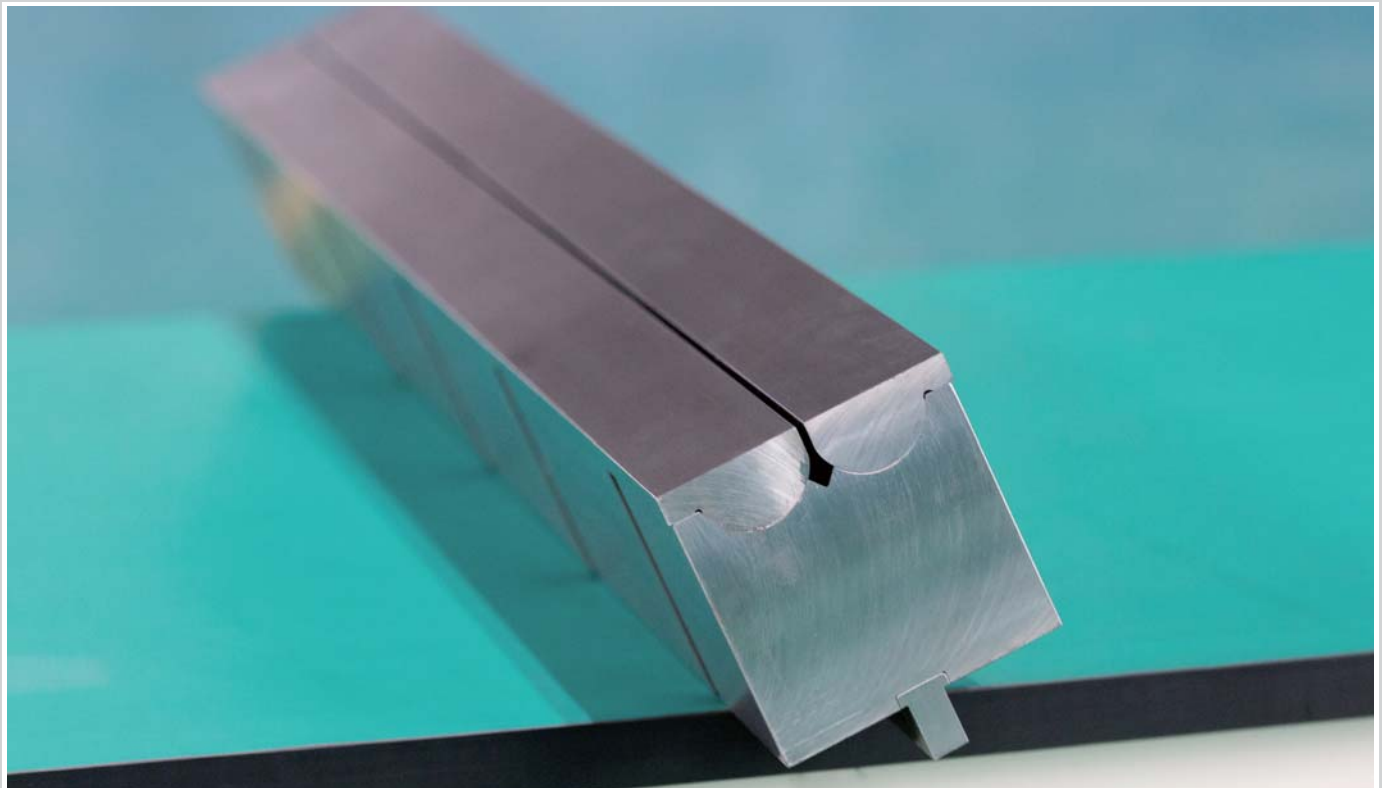
835 mm	19.2 kg	
415 mm	9.5 kg	

HSD79.38



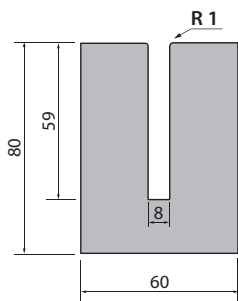
1000 kN/m max.

835 mm	25.0 kg	
415 mm	12.4 kg	



Hemming Dies

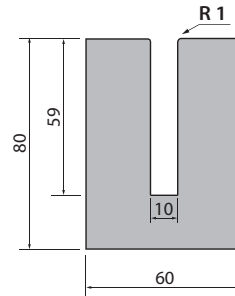
HHT8



800/1000 kN/m max.

525 mm	17.6 kg	
525 mm sections	17.6 kg	

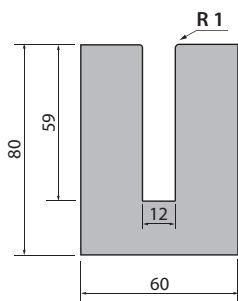
HHT10



800/1000 kN/m max.

525 mm	17.8 kg	
525 mm sections	17.8 kg	

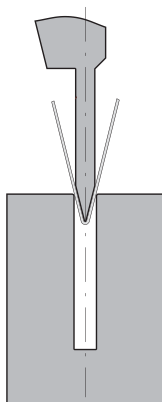
HHT12



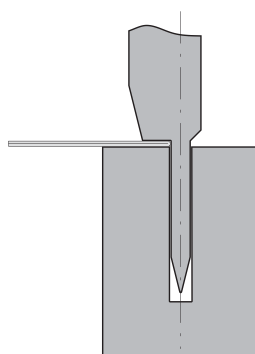
800/1000 kN/m max.

525 mm	17.0 kg	
525 mm sections	17.0 kg	

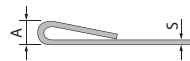
Example of application



800 kN/m max.



1000 kN/m max.



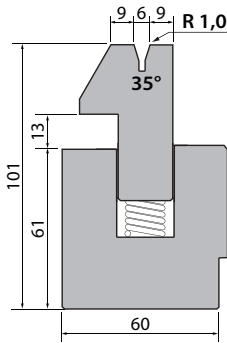
S (mm)	A (mm)	R.45 Kgf/mm ² t/m	R.70 Kgf/mm ² t/m
0.6	3.0	9	15
0.8	3.0	12	20
1.0	3.5	15	25
1.25	3.5	17	26

S (mm)	A (mm)	R.45 Kgf/mm ² t/m	R.70 Kgf/mm ² t/m
0.6	1.2	23	35
0.8	1.6	32	50
1.0	1.0	40	60
1.25	2.5	50	80

Spring-loaded/Pneumatic Hemming Dies

HSHD101.35.06

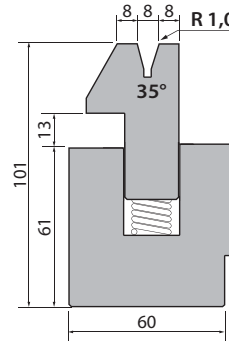
600 kN/m max.



835 mm	30.0 kg	
415 mm	15.0 kg	

HSHD101.35.08

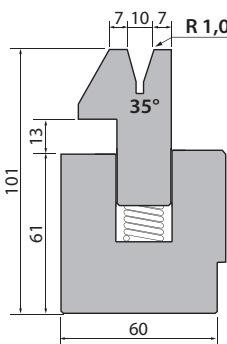
600 kN/m max.



835 mm	30.0 kg	
415 mm	15.0 kg	

HSHD101.35.10

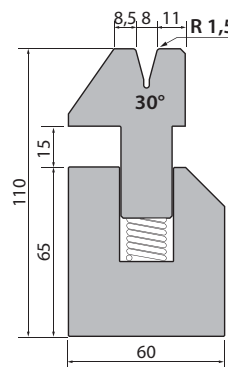
600 kN/m max.



835 mm	30.0 kg	
415 mm	15.0 kg	

HSHD110.30.08

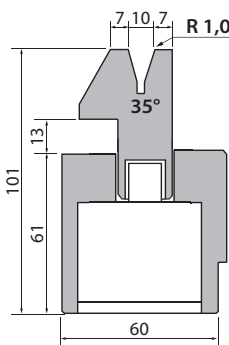
800 kN/m max.



835 mm	30.0 kg	
415 mm	15.0 kg	

HPHD101.35.10

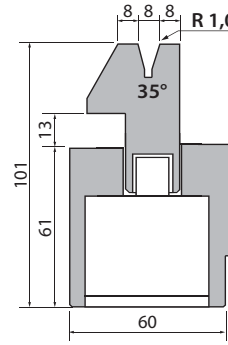
600 kN/m max.



835 mm	30.0 kg	
415 mm	15.0 kg	

HPHD101.35.08

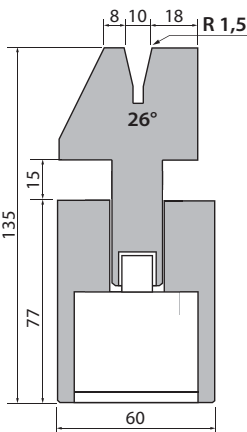
600 kN/m max.



835 mm	30.0 kg	
415 mm	15.0 kg	

HPHD135.26.10

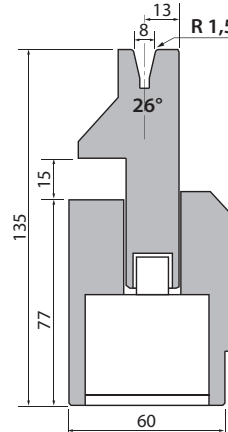
1000 kN/m max.



835 mm	42.0 kg	
415 mm	21.0 kg	

HPHD135.26.08

400 kN/m max.

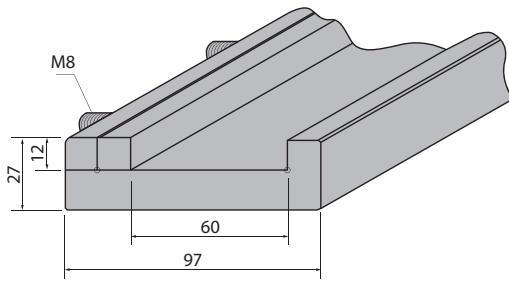


835 mm	40.0 kg	
415 mm	20.0 kg	

Adpater Rails for Dies

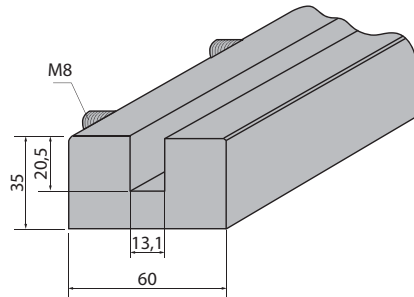
HARG 330/331/332/333

Model	Length	Weight	
HARG 330	2100 mm	28.0 kg	
HARG 331	2600 mm	34.0 kg	
HARG 332	3100 mm	40.0 kg	
HARG 333	4100 mm	54.0 kg	



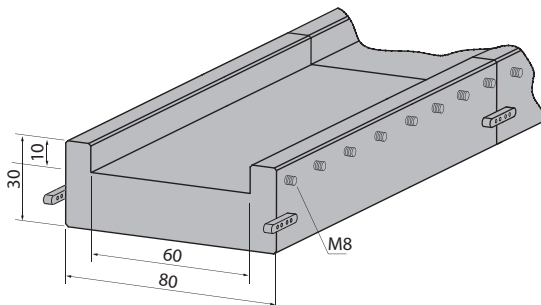
HARK 330/331 / 332/333

Model	Length	Weight	
HARK 330	2100 mm	30.0 kg	
HARK 331	2600 mm	38.0 kg	
HARK 332	3100 mm	44.0 kg	
HARK 333	4100 mm	60.0 kg	



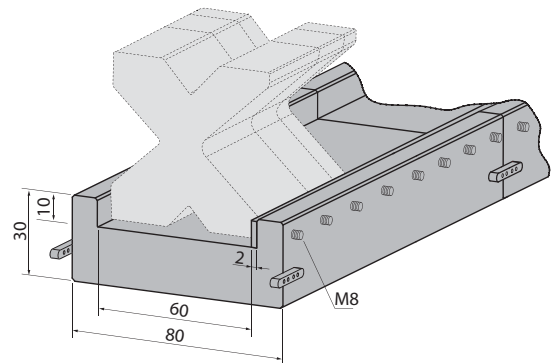
HARM 330/331

Model	Length	Weight	
HARM 330	1050 mm	15.0 kg	
HARM 331	520 mm	7.6 kg	



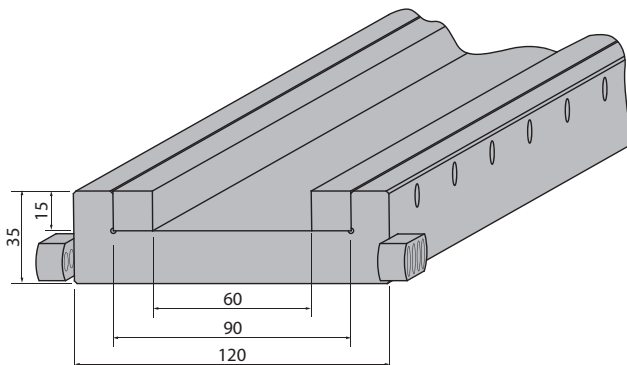
HARP 330/331

Model	Length	Weight	
HARP 330	1050 mm	15.0 kg	
AHRP 331	520 mm	7.6 kg	



HART 330/331

Model	Length	Weight	
ART 330	1050 mm	27.4 kg	
ART 331	520 mm	13.6 kg	

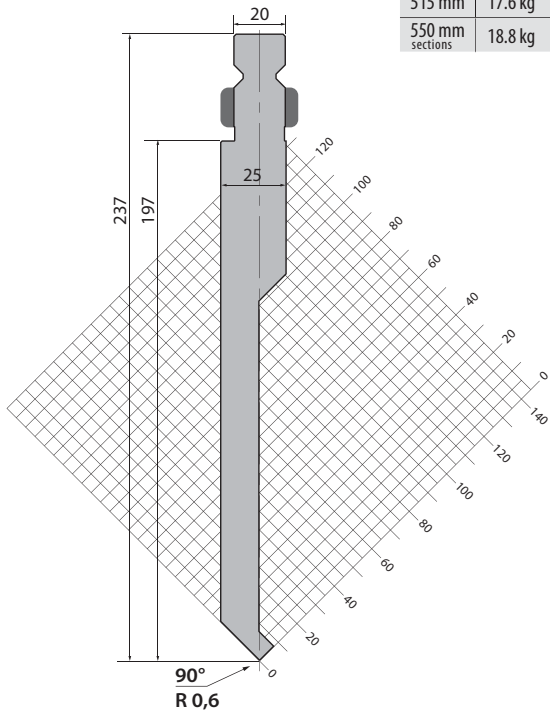


90° Punches

HWP237.90.R06

600 kN/m max.

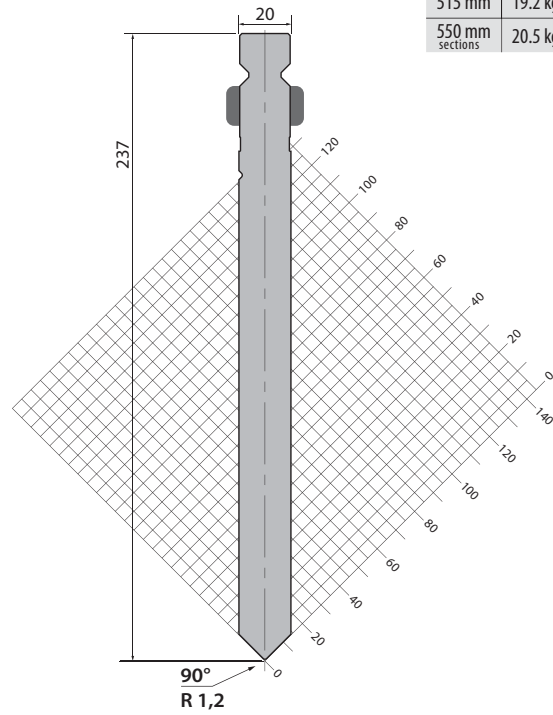
515 mm	17.6 kg	
550 mm sections	18.8 kg	



HWP237.90.R12

1000 kN/m max.

515 mm	19.2 kg	
550 mm sections	20.5 kg	

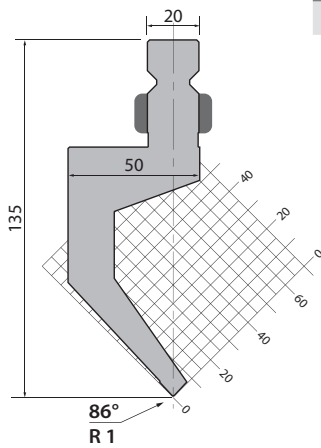


86° Punches

HWP135.86.R1

650 kN/m max.

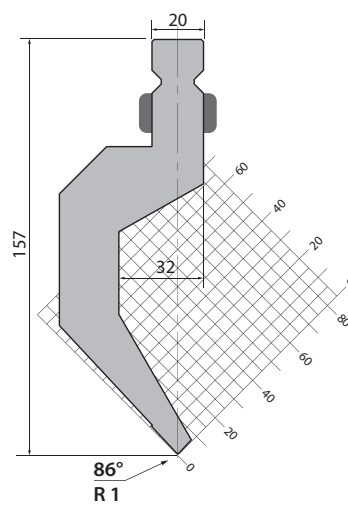
515 mm	12.4 kg	
550 mm sections	13.2 kg	



HWP157.86.R1

800 kN/m max.

515 mm	15.2 kg	
550 mm sections	16.6 kg	

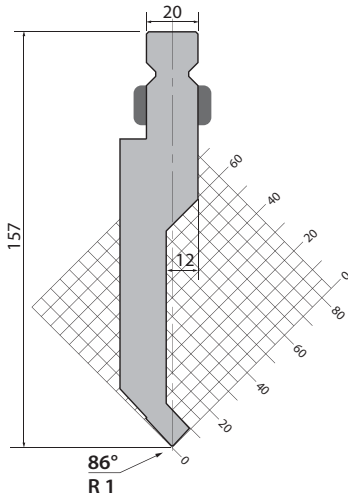


86° Punches

HWP157.86.R1S

800 kN/m max.

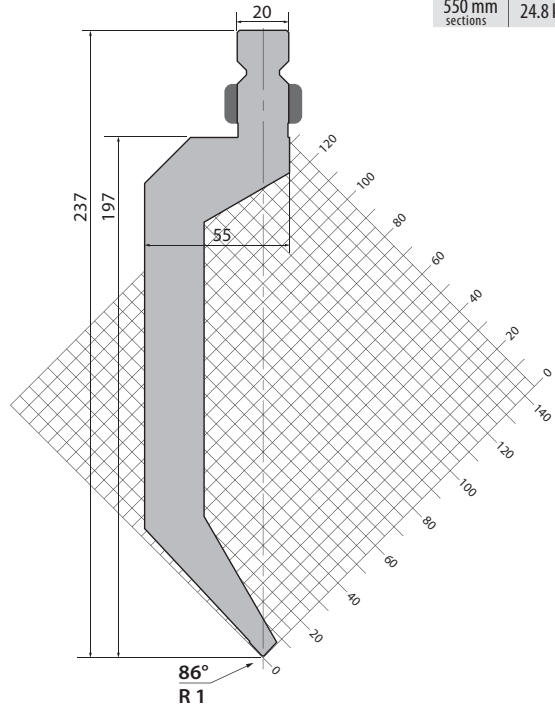
500 mm	12.6 kg	
550 mm sections	13.8 kg	



HWP237.86.R1

500 kN/m max.

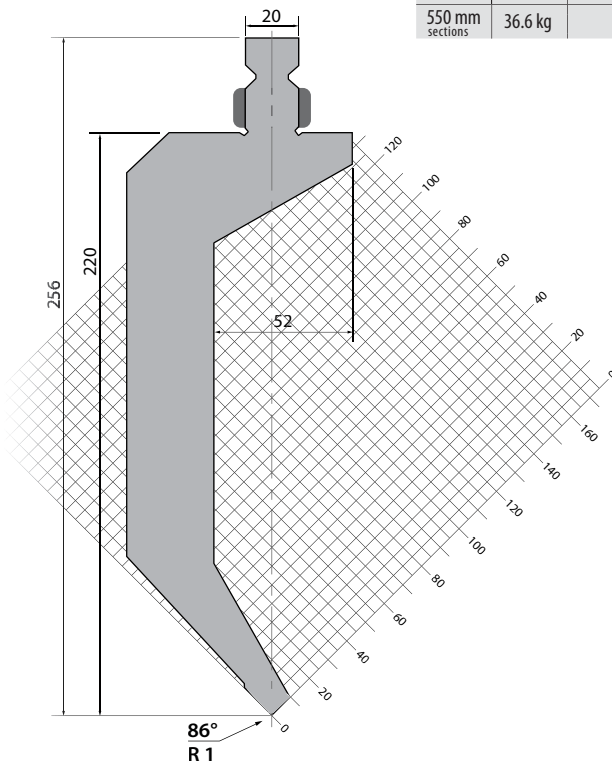
515 mm	23.4 kg	
550 mm sections	24.8 kg	



HWP256.86.R1

800 kN/m max.

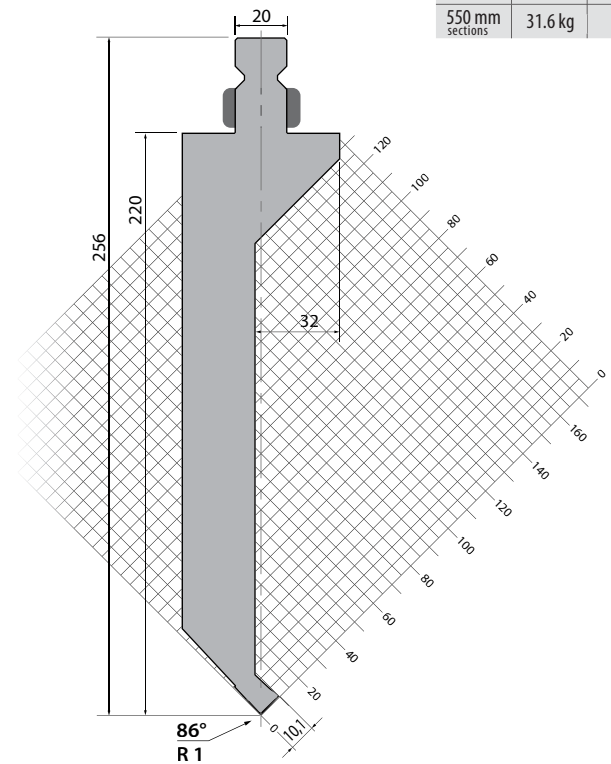
500 mm	33.4 kg	
550 mm sections	36.6 kg	



HWP256.86.R1S

800 kN/m max.

500 mm	28.8 kg	
550 mm sections	31.6 kg	

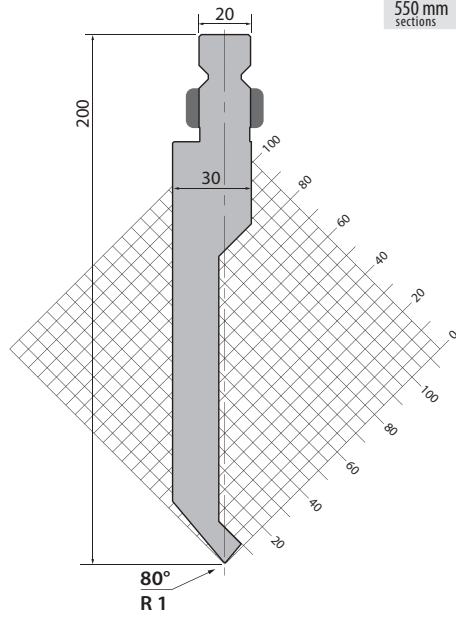


80° Punches

HWP200.80.R1

800 kN/m max.

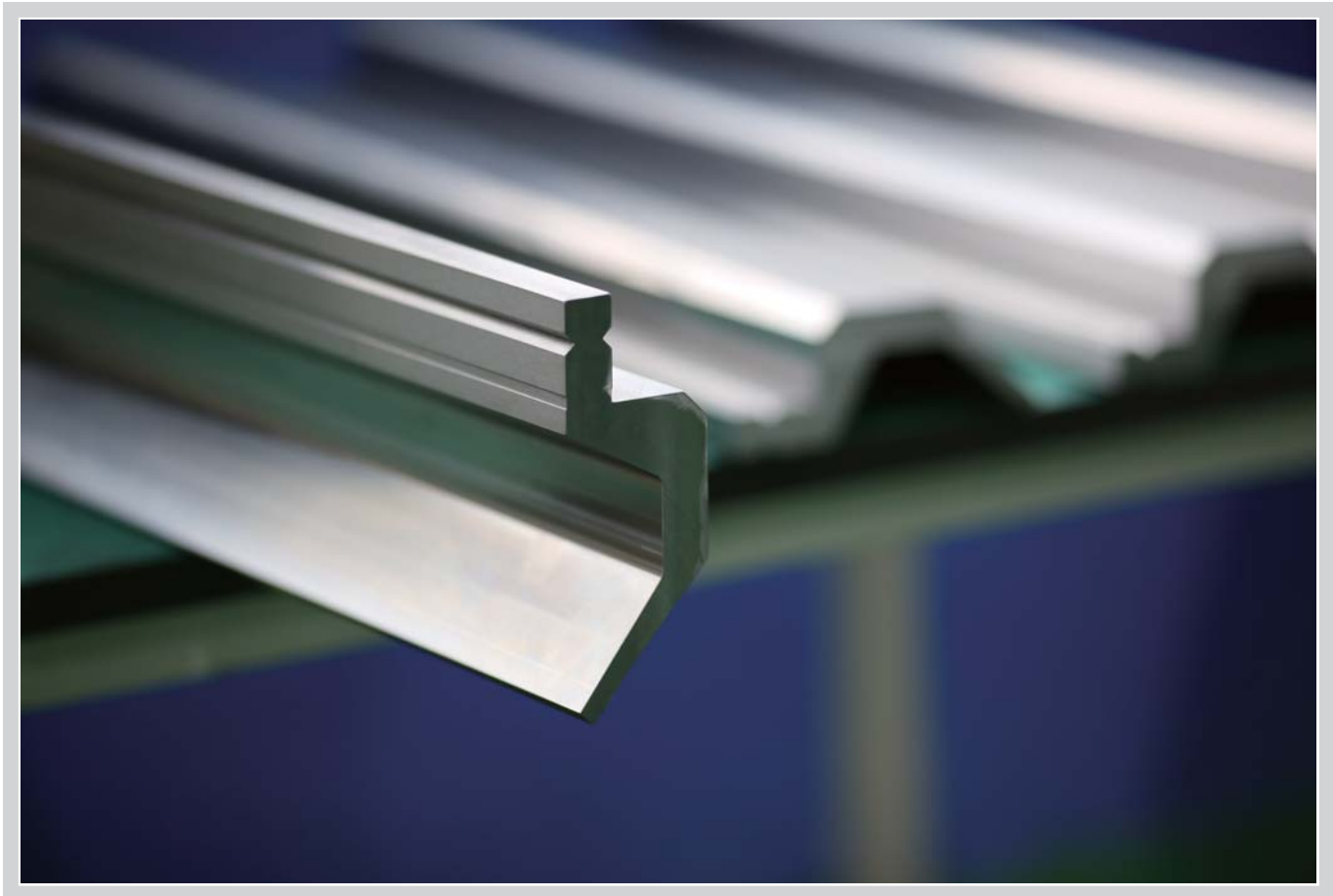
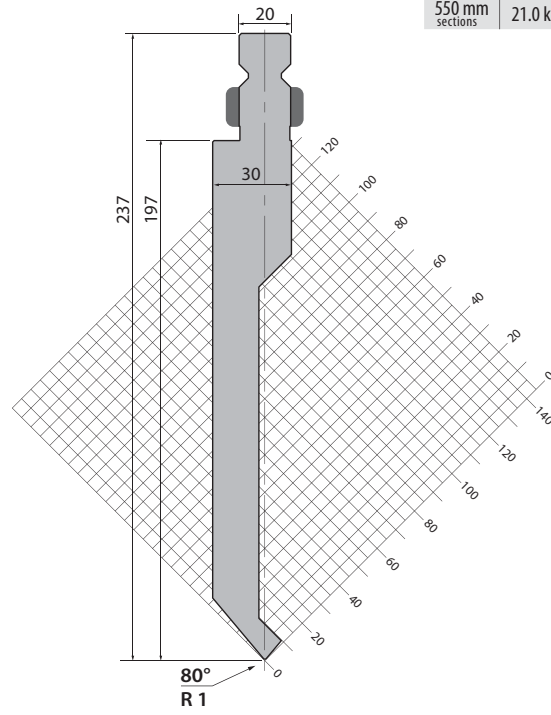
515 mm	19.0 kg	
550 mm sections	20.3 kg	



HWP237.80.R1

800 kN/m max.

515 mm	19.8 kg	
550 mm sections	21.0 kg	

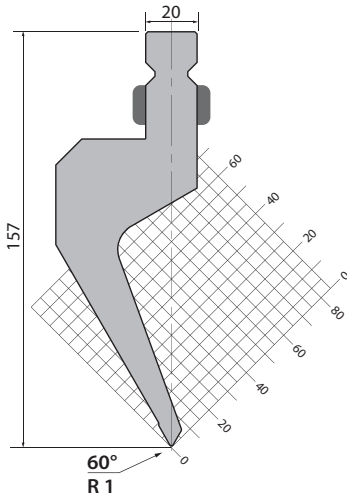


60° Punches

HWP157.60.R1

700 kN/m max.

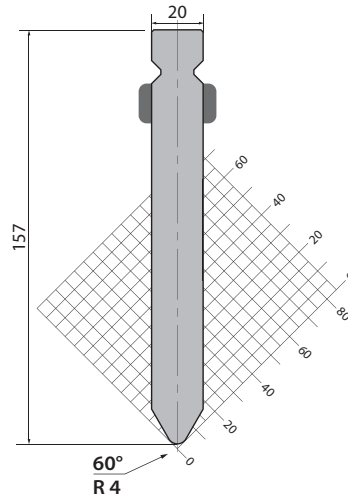
500 mm	15.2 kg	
550 mm sections	16.6 kg	



HWP157.60.R4

1300 kN/m max.

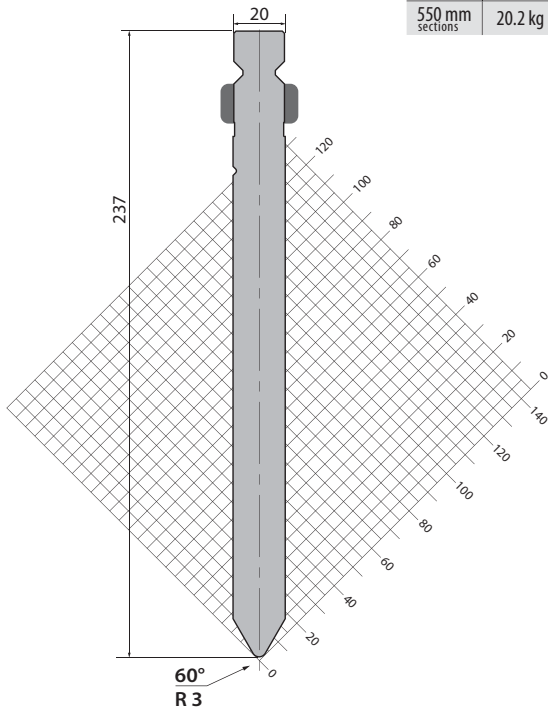
500 mm	12.2 kg	
550 mm sections	13.4 kg	



HWP237.60.R3

1300 kN/m max.

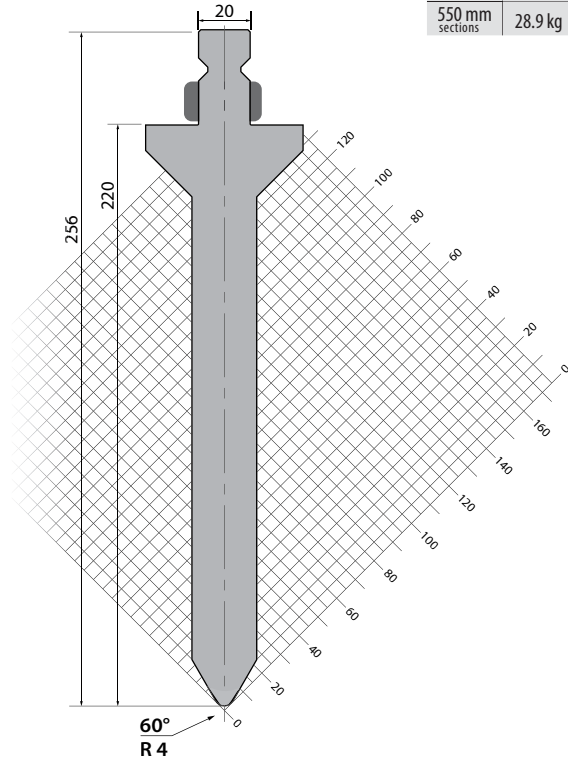
515 mm	18.8 kg	
550 mm sections	20.2 kg	



HWP256.60.R4

1300 kN/m max.

500 mm	26.3 kg	
550 mm sections	28.9 kg	

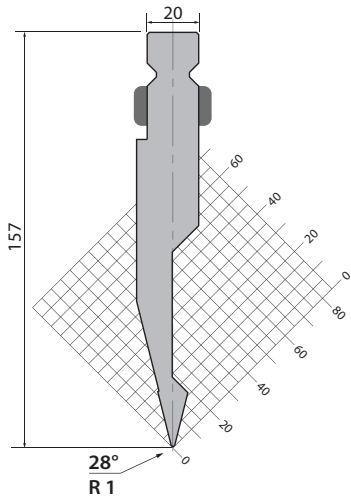


28° Punches

HWP157.28.R1

600 kN/m max.

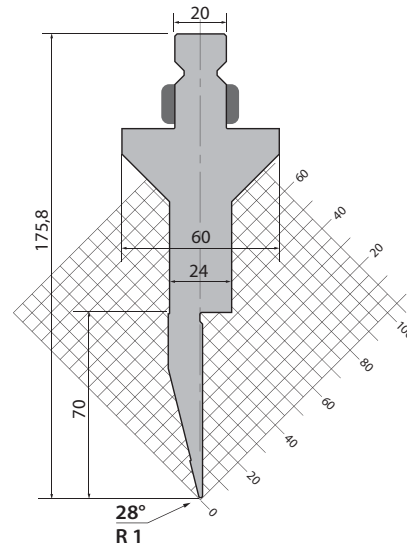
500 mm	10.0 kg	
550 mm sections	11.2 kg	



HWP176.28.R1

400 kN/m max.

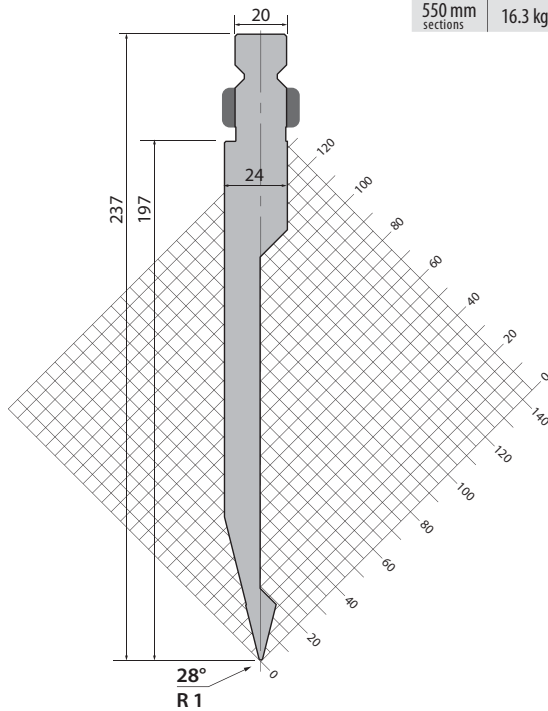
500 mm	15.2 kg	
550 mm sections	16.8 kg	



HWP237.28.R1

600 kN/m max.

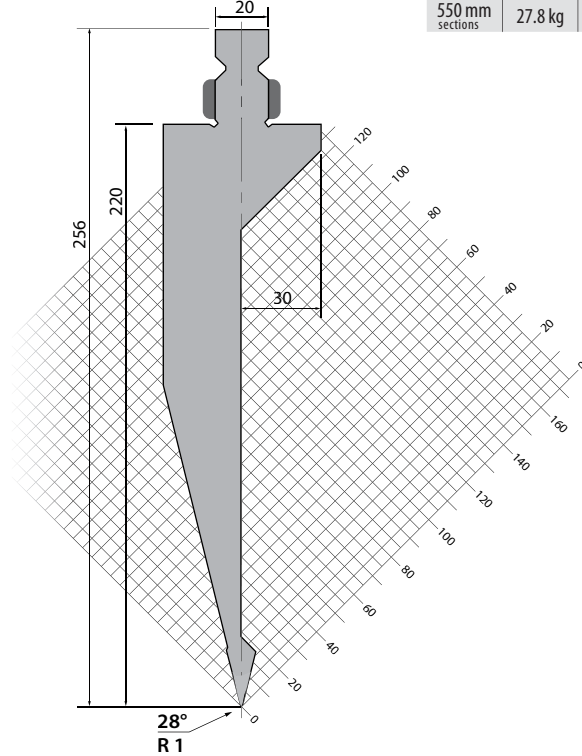
515 mm	15.2 kg	
550 mm sections	16.3 kg	



HWP256.28.R1

600 kN/m max.

500 mm	25.0 kg	
550 mm sections	27.8 kg	

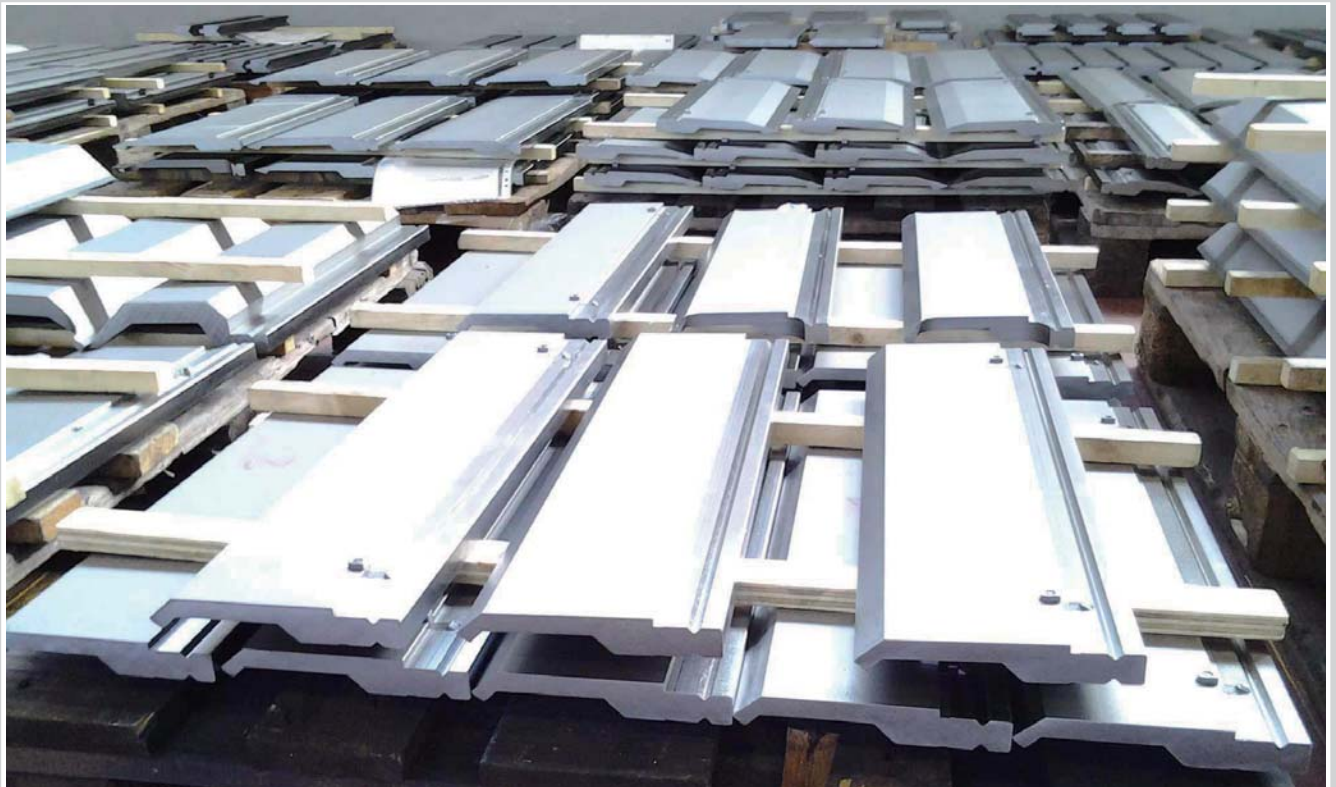
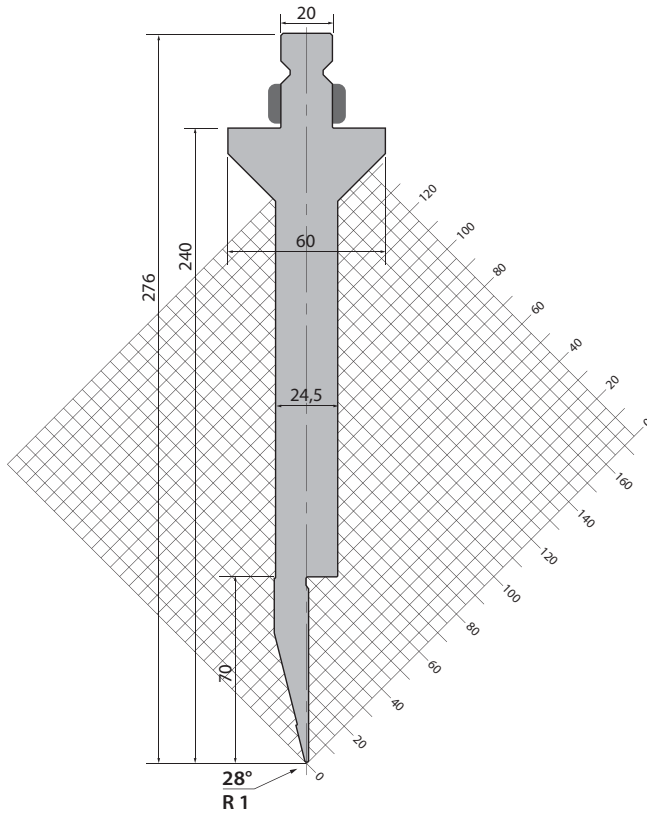


28° Punches

HWP276.28.R1

400 kN/m max.

500 mm sections	24.2 kg	
550 mm sections	26.6 kg	

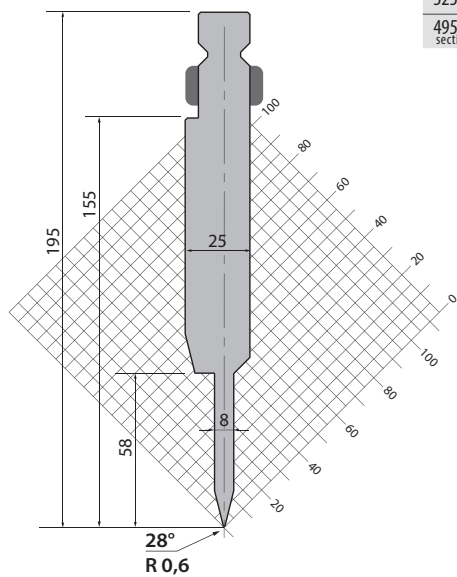


28°/24° Hemming Punches

HWHT 195.28.8

800/1000 kN/m max.

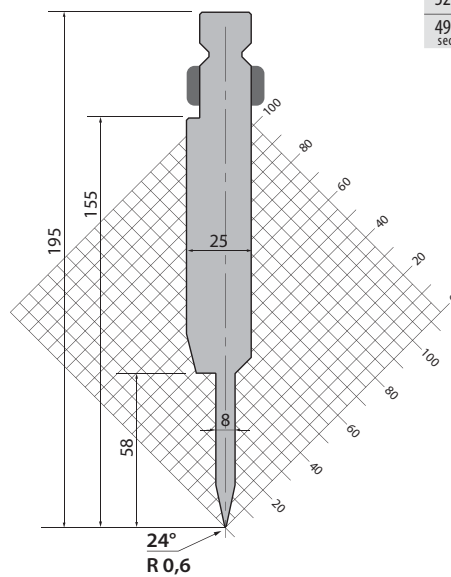
525 mm	9.5 kg
495 mm sections	9.0 kg



HWHT 195.24.8

800/1000 kN/m max.

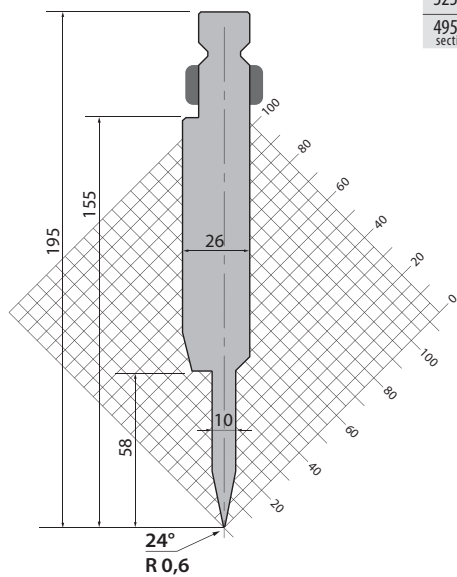
525 mm	9.5 kg
495 mm sections	9.0 kg



HWHT 195.24.10

800/1000 kN/m max.

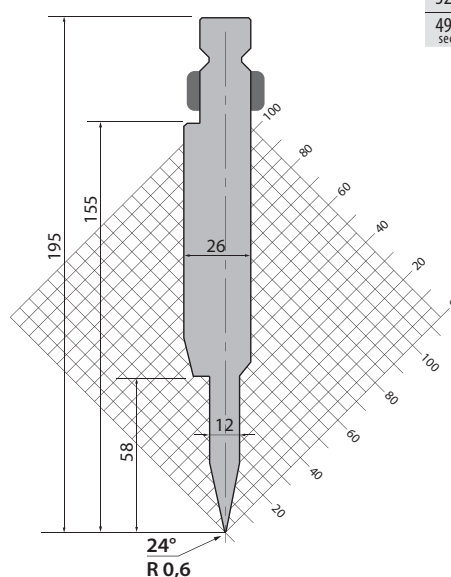
525 mm	15.6 kg
495 mm sections	9.4 kg



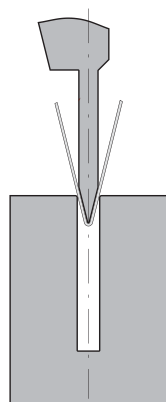
HWHT 195.24.12

800/1000 kN/m max.

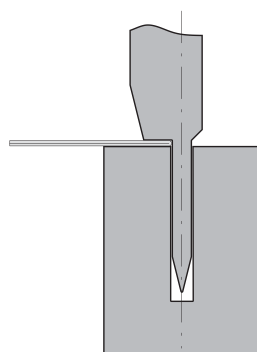
525 mm	15.6 kg
495 mm sections	9.6 kg



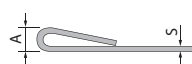
Example of application



800 kN/m max.



1000 kN/m max.

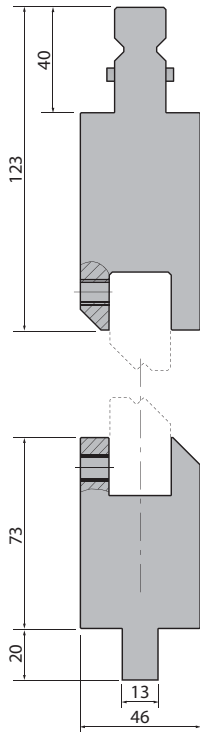


S (mm)	A (mm)	R.45 Kgf/mm ² t/m	R.70 Kgf/mm ² t/m
0.6	3.0	9	15
0.8	3.0	12	20
1.0	3.5	15	25
1.25	3.5	17	26

S (mm)	A (mm)	R.45 Kgf/mm ² t/m	R.70 Kgf/mm ² t/m
0.6	1.2	23	35
0.8	1.6	32	50
1.0	1.0	40	60
1.25	2.5	50	80

Z-Type Tools

HZPT



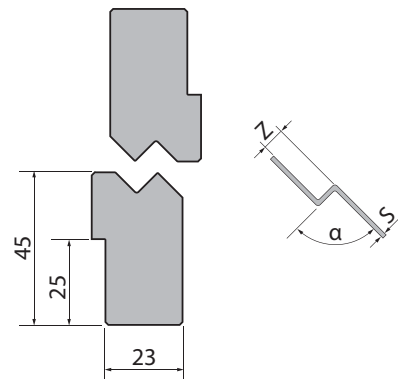
1000 kN/m max.

835 mm	46.0 kg	
415 mm	23.0 kg	

Z- Tool Inserts 90°

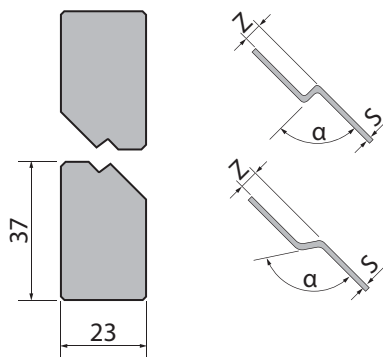
1000 kN/m max.

Model	Z (mm)	α	S* (mm)	Weight	Weight
HWZ 9.0	9	90°	1.8	13.5 kg	6.5 kg
HWZ 10.0	10	90°	1.8	13.5 kg	6.5 kg
HWZ 11.0	11	90°	2	13.5 kg	6.5 kg
HWZ 12.0	12	90°	2	13.5 kg	6.5 kg
HWZ 13.0	13	90°	2	13.5 kg	6.5 kg
HWZ 14.0	14	90°	2	13.5 kg	6.5 kg
HWZ 15.0	15	90°	2.3	13.5 kg	6.5 kg



Z- Tool Inserts 160° / 150° / 140° / 90°

1000 kN/m max.



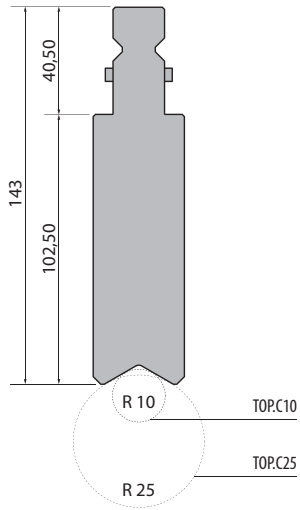
Model	Z (mm)	α	S* (mm)	Weight	Weight
HWZ 1.0	1.0	160°	1.2	11.0 kg	5.5 kg
HWZ 1.5	1.5	160°	1.5	11.0 kg	5.5 kg
HWZ 2.0	2.0	150°	1.4	11.0 kg	5.5 kg
HWZ 2.5	2.5	140°	1.3	11.0 kg	5.5 kg
HWZ 1.0/90	1.0	90°	0.3	11.0 kg	5.5 kg
HWZ 1.5/90	1.5	90°	0.3	11.0 kg	5.5 kg
HWZ 2.0/90	2.0	90°	0.4	11.0 kg	5.5 kg
HWZ 2.5/90	2.5	90°	0.5	11.0 kg	5.5 kg
HWZ 3.0	3.0	90°	1.0	10.2 kg	5.1 kg
HWZ 3.5	3.5	90°	1.0	10.0 kg	5.0 kg
HWZ 4.0	4.0	90°	1.2	10.0 kg	5.0 kg
HWZ 4.5	4.5	90°	1.2	10.0 kg	5.0 kg
HWZ 5.0	5.0	90°	1.3	10.0 kg	5.0 kg
HWZ 5.5	5.5	90°	1.4	10.0 kg	5.0 kg
HWZ 6.0	6.0	90°	1.5	10.0 kg	5.0 kg
HWZ 6.5	6.5	90°	1.5	10.0 kg	5.0 kg
HWZ 7.0	7.0	90°	1.5	10.0 kg	5.0 kg
HWZ 7.5	7.5	90°	1.6	10.0 kg	5.0 kg
HWZ 8.0	8.0	90°	1.6	10.0 kg	5.0 kg

Radius Punches

HWRT143.10

1000 kN/m max.

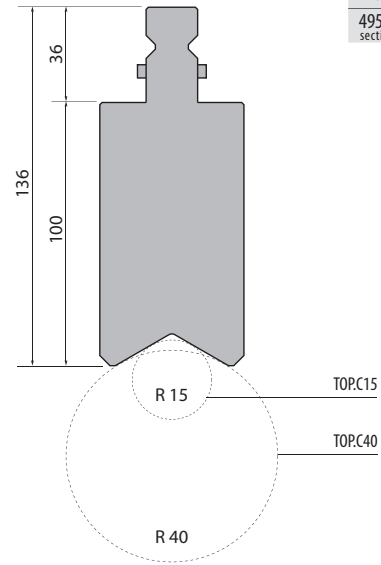
525 mm	18.0 kg	
495 mm sections	17.2 kg	



HWRT136.15

1000 kN/m max.

525 mm	25.2 kg	
495 mm sections	23.8 kg	

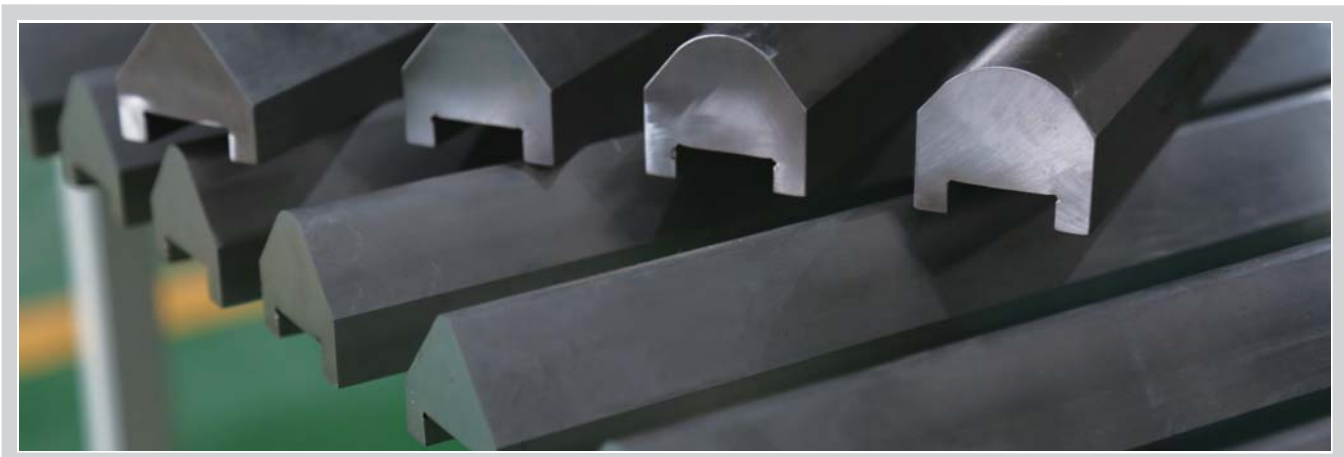
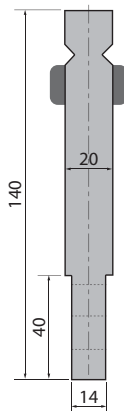


Radius Tools

HWRT140-14

800 kN/m max.

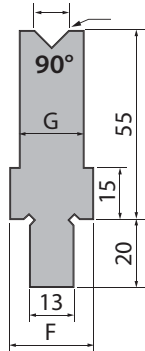
830 mm	17.2 kg	
412 mm	9.0 kg	



Dies, H=55 mm

90°

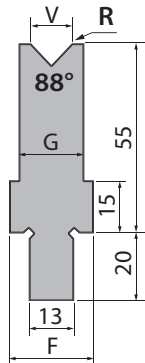
1200 kN/m max.



Model	V (mm)	R (mm)	G (mm)	F (mm)	Weight	Weight
HWD55.90.06	6	0.4	15	25	8.6 kg	4.3 kg
HWD55.90.0	8	0.5	15	25	9.2 kg	4.6 kg
HWD55.90.10	10	1.0	20	25	10.4 kg	5.2 kg
HWD55.90.12	12	1.5	20	25	10.4 kg	5.2 kg
HWD55.90.16	16	2.0	30	30	14.6 kg	7.3 kg

88°

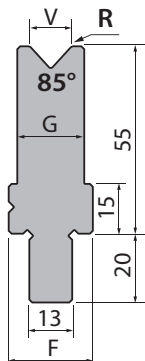
1200 kN/m max.



Model	V (mm)	R (mm)	G (mm)	F (mm)	Weight	Weight
HWD55.88.06	6	0.4	15	25	8.6 kg	4.3 kg
HWD55.88.08	8	0.5	15	25	9.2 kg	4.5 kg
HWD55.88.10	10	1.0	20	25	11.2 kg	5.0 kg
HWD55.88.12	12	1.5	20	25	10.6 kg	5.3 kg
HWD55.88.16	16	2.0	30	30	14.5 kg	7.3 kg
HWD55.88.20	20	2.0	30	30	14.5 kg	7.3 kg
HWD55.88.24	24	3.0	40	40	18.4 kg	9.2 kg

85°

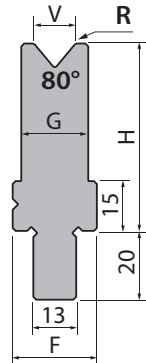
1200 kN/m max.



Model	V (mm)	R (mm)	G (mm)	F (mm)	Weight	Weight
HWD55.85.06	6	0.4	15	25	8.6 kg	4.3 kg
HWD55.85.08	8	0.5	15	25	9.0 kg	4.5 kg
HWD55.85.10	10	1.0	20	25	11.0 kg	5.0 kg
HWD55.85.12	12	1.5	20	25	10.4 kg	5.2 kg
HWD55.85.16	16	2.0	30	30	14.6 kg	7.3 kg
HWD55.85.20	20	2.0	30	30	14.6 kg	7.3 kg
HWD55.85.24	24	3.0	40	40	18.4 kg	9.2 kg
HWD55.85.32	32	4.0	50	50	21.0 kg	10.5 kg
HWD55.85.40	40	4.0	55	55	21.4 kg	10.7 kg

Dies, H=55-85 mm

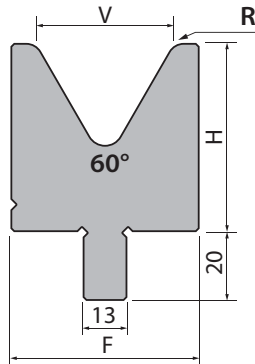
80°



1200/2300 kN/m max.

Model	V (mm)	R (mm)	H (mm)	G (mm)	F (mm)	1000 mm	Weight	500 mm	Weight
HWD55.80.06	6	0.4	55	15	25		8.6 kg		4.3 kg
HWD55.80.08	8	0.5	55	15	25		9.2 kg		4.5 kg
HWD55.80.10	10	1.0	55	20	25		11.0 kg		5.0 kg
HWD55.80.12	12	1.5	55	20	25		10.4 kg		5.2 kg
HWD55.80.16	16	2.0	55	30	30		14.4 kg		7.2 kg
HWD55.80.20	20	2.0	55	30	30		14.4 kg		7.2 kg
WD55.80.24	24	3.0	55	40	40		18.6 kg		9.3 kg
HWD55.80.32	32	4.0	55	50	50		21.0 kg		10.5 kg
HWD55.80.40	40	4.0	55	55	55		21.2 kg		10.6 kg
HWD65.80.80	80	10.0	65	100	100		39.0 kg		20.0 kg
HWD85.80.100	100	12.0	85	125	125		62.0 kg		31.0 kg

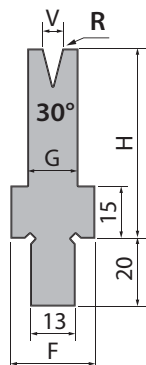
60°



1200 kN/m max.

Model	V (mm)	R (mm)	H (mm)	F (mm)	1000 mm	Weight	500 mm	Weight
HWD55.60.40	40	5.0	55	55		20.2 kg		10.4 kg
HWD55.60.50	50	5.0	55	70		25.0 kg		12.0 kg
HWD65.60.60	60	7.0	65	80		31.0 kg		15.3 kg

30°



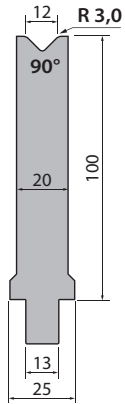
200/450 kN/m max.

Model	V (mm)	R (mm)	G (mm)	H (mm)	F (mm)	Price	Weight	Price	Weight
HWD55.30.06	6	0.6	15	55	25	\$ 220	8.0 kg	\$ 130	4.0 kg
HWD55.30.08	8	0.8	15	55	25	\$ 220	9.0 kg	\$ 130	4.0 kg
HWD55.30.10	10	1.0	20	55	25	\$ 220	10.0 kg	\$ 130	5.0 kg
HWD55.30.12	12	1.5	20	55	25	\$ 220	10.0 kg	\$ 130	5.0 kg
HWD55.30.16	16	2.0	30	55	30	\$ 220	13.4 kg	\$ 130	6.6 kg
HWD55.30.20	20	2.5	35	55	35	\$ 230	14.0 kg	\$ 130	7.0 kg
HWD55.30.24	24	3.0	40	55	40	\$ 250	15.6 kg	\$ 140	7.6 kg
HWD60.30.32	32	4.0	60	60	60	\$ 340	23.0 kg	\$ 170	11.4 kg
HWD70.30.08	08	0.75	20	70	25	\$ 220	13.2 kg	\$ 130	6.2 kg
HWD70.30.10	10	1.0	20	70	25	\$ 220	12.6 kg	\$ 130	6.3 kg
HWD70.30.12	12	1.5	25	70	25	\$ 220	14.8 kg	\$ 130	7.4 kg
HWD70.30.16	16	2.0	30	70	30	\$ 220	16.8 kg	\$ 130	8.2 kg

Dies 90°, H=100 mm

HWD100.12.90

1200 kN/m max.

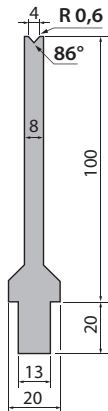


515 mm	9.0 kg	
515 mm sections	9.0 kg	

Dies 86°, H=100 mm

HWD100.04.86

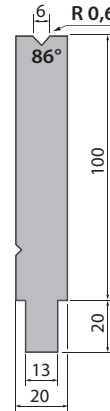
250 kN/m max.



500 mm	4.5 kg	
500 mm sections	4.5 kg	

HWD100.06.86

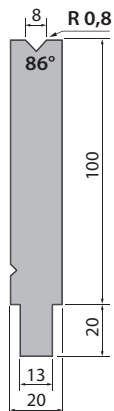
1200 kN/m max.



500 mm	9.0 kg	
500 mm sections	9.0 kg	

HWD100.08.86

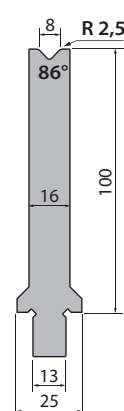
1150 kN/m max.



500 mm	8.0 kg	
500 mm sections	8.0 kg	

HWD100.08.86

400 kN/m max.



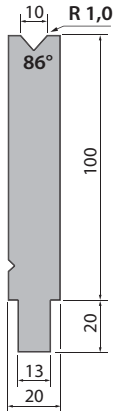
515 mm	7.8 kg	
500 mm sections	7.8 kg	

Dies 86°, H=100 mm

HWD100.10.86

1100 kN/m max.

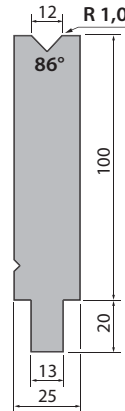
500 mm	8.8 kg	
500 mm sections	8.8 kg	



HWD100.12.86

1200 kN/m max.

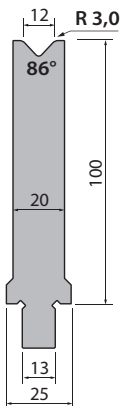
500 mm	10.0 kg	
500 mm sections	10.0 kg	



HWD100.12.86

1200 kN/m max.

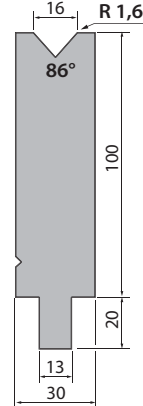
500 mm	8.9 kg	
500 mm sections	8.9 kg	



HWD100.16.86

1200 kN/m max.

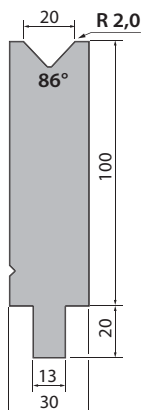
500 mm	12.6 kg	
500 mm sections	12.6 kg	



HWD100.20.86

1150 kN/m max.

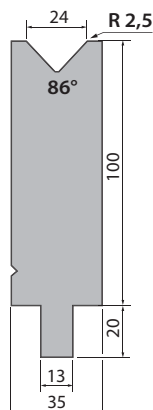
500 mm	12.4 kg	
500 mm sections	12.4 kg	



HWD100.24.86

1200 kN/m max.

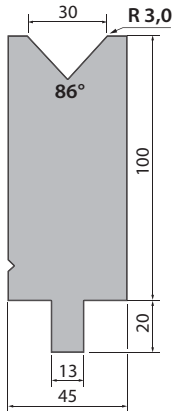
500 mm	12.4 kg	
500 mm sections	12.4 kg	



Dies 86°, H=100 mm

HWD100.30.86

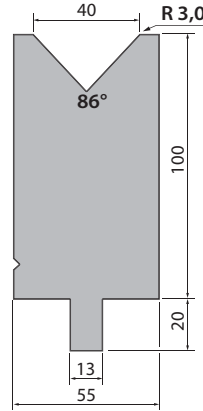
1200 kN/m max.



500 mm		
500 mm sections		

HWD100.40.86

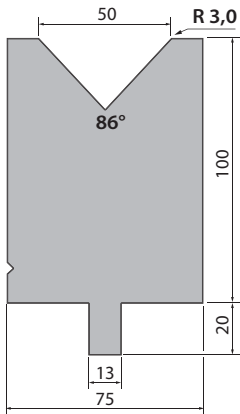
1200 kN/m max.



500 mm	20.0 kg	
500 mm sections	20.0 kg	

HWD100.50.86

1500 kN/m max.

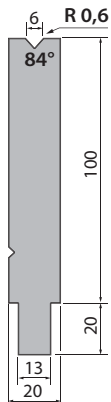


500 mm	27.8 kg	
500 mm sections	27.8 kg	

Dies 84°, H=100 mm

HWD100.06.84

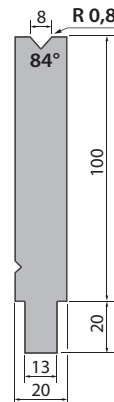
1200 kN/m max.



500 mm	8.8 kg	
500 mm sections	8.8 kg	

HWD100.08.84

1150 kN/m max.



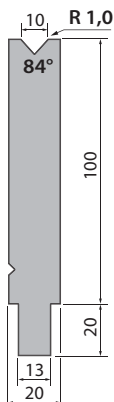
500 mm	8.8 kg	
500 mm sections	8.8 kg	

Dies 84°, H=100 mm

HWD100.10.84

1100 kN/m max.

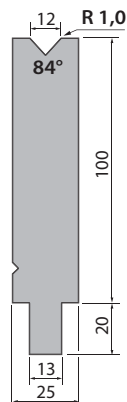
500 mm	8.8 kg	
500 mm sections	8.8 kg	



HWD100.12.84

1200 kN/m max.

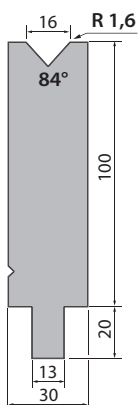
500 mm	10.0 kg	
500 mm sections	10.0 kg	



HWD100.16.84

1200 kN/m max.

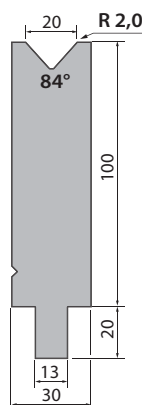
500 mm	12.6 kg	
500 mm sections	12.6 kg	



HWD100.20.84

1150 kN/m max.

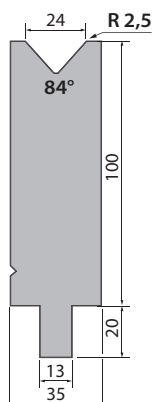
500 mm	12.4 kg	
500 mm sections	12.4 kg	



HWD100.24.84

1200 kN/m max.

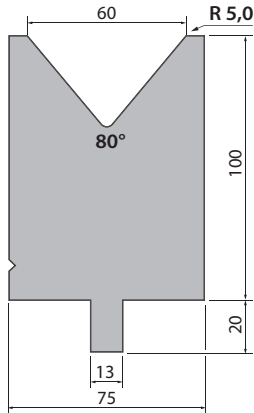
500 mm	14.0 kg	
500 mm sections	14.0 kg	



Dies 80°, H=100 mm

HWD100.60.80

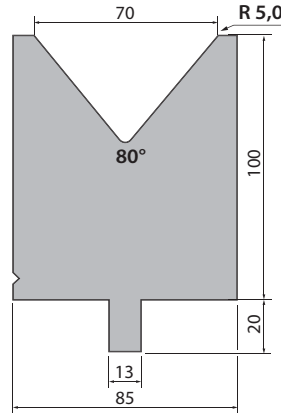
1500 kN/m max.



500 mm	26.0 kg	
500 mm sections	26.0 kg	

HWD100.70.80

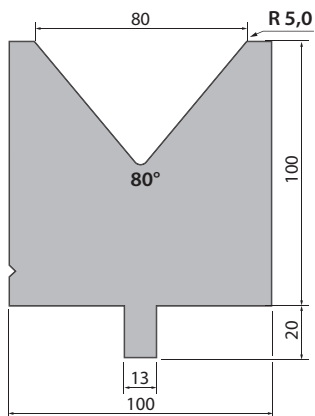
1500 kN/m max.



500 mm	28.6 kg	
500 mm sections	28.6 kg	

HWD100.80.80

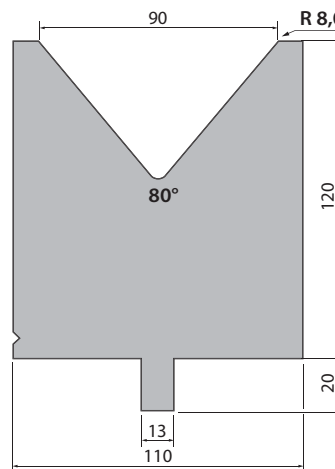
1500 kN/m max.



500 mm	33.0 kg	
500 mm sections	33.0 kg	

HWD120.90.80

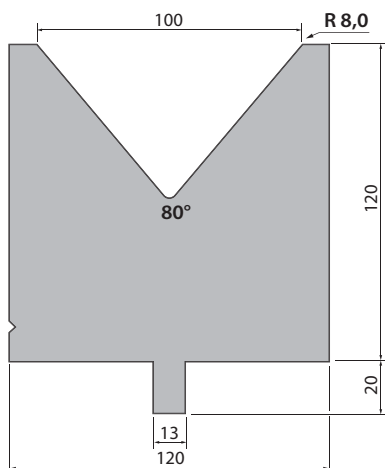
1500 kN/m max.



500 mm	43.0 kg	
500 mm sections	43.0 kg	

HWD120.100.80

1500 kN/m max.



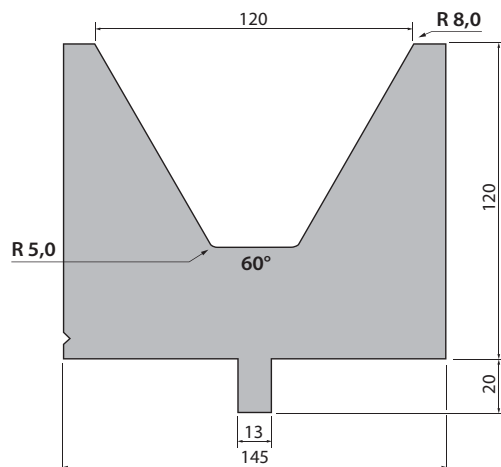
500 mm	45.0 kg	
500 mm sections	45.0 kg	

Dies 60°, H=120 mm

HWD120.120.60

600 N/m max.

500 mm	46.0 kg	
500 mm sections	46.0 kg	

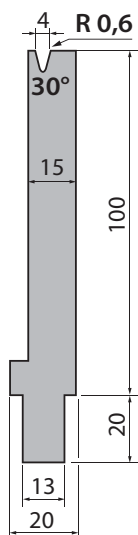


Dies 30°, H=100 mm

HWD100.04.30

150 kN/m max.

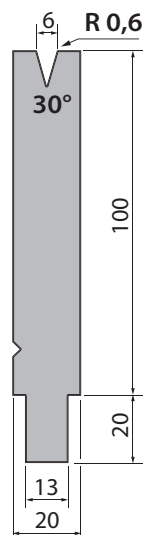
500 mm	7.2 kg	
500 mm sections	7.2 kg	



HWD100.06.30

400 kN/m max.

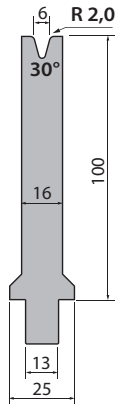
500 mm	8.8 kg	
500 mm sections	8.8 kg	



Dies 30°, H=100 mm

HWD100.06.30S

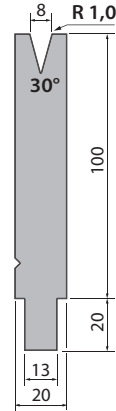
400 kN/m max.



500 mm		
500 mm sections		

HWD100.08.30

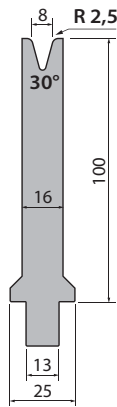
400 kN/m max.



500 mm	8.6 kg	
500 mm sections	8.6 kg	

HWD100.08.30S

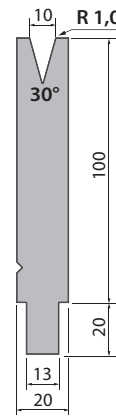
400 kN/m max.



500 mm		
500 mm sections		

HWD100.10.30

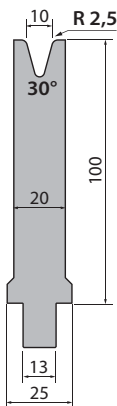
400 kN/m max.



500 mm	8.6 kg	
500 mm sections	8.6 kg	

HWD100.10.30S

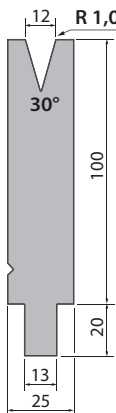
400 kN/m max.



500 mm	9.0 kg	
500 mm sections	9.0 kg	

HWD100.12.30

400 kN/m max.

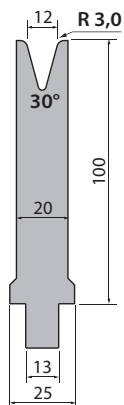


500 mm	10.4 kg	
500 mm sections	10.4 kg	

Dies 30°, H=100 mm

HWD100.12.30S

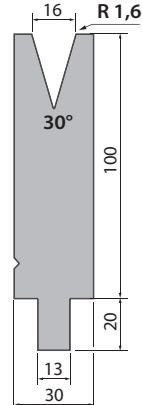
400 kN/m max.



500 mm	9.0 kg	
500 mm sections	9.0 kg	

HWD100.16.30

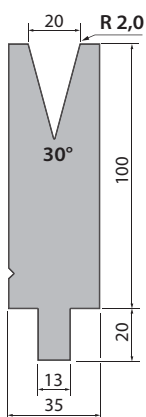
500 kN/m max.



500 mm	12.0 kg	
500 mm sections	12.0 kg	

HWD100.20.30

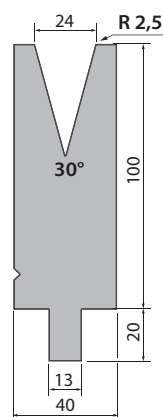
600 kN/m max.



500 mm	13.0 kg	
500 mm sections	13.0 kg	

HWD100.24.30

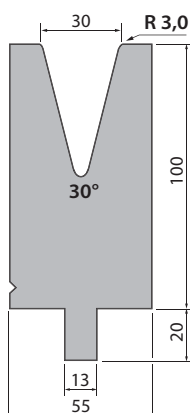
650 kN/m max.



500 mm	15.0 kg	
500 mm sections	15.0 kg	

HWD100.30.30

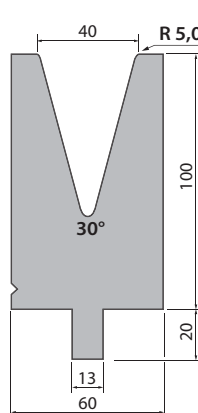
900 kN/m max.



500 mm	19.0 kg	
500 mm sections	19.0 kg	

HWD100.40.30

900 kN/m max.

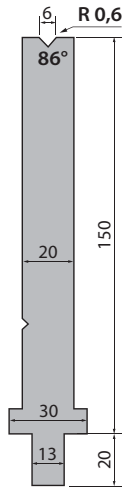


500 mm	19.0 kg	
500 mm sections	19.0 kg	

Dies 86°, H=150 mm

HWD150.06.86

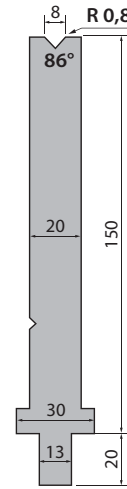
400 kN/m max.



500 mm	13.0 kg	
500 mm sections	13.0 kg	

HWD150.08.86

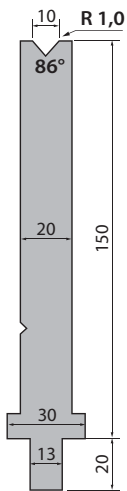
400 kN/m max.



500 mm	13.0 kg	
500 mm sections	13.0 kg	

HWD150.10.86

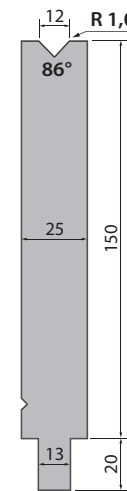
500 kN/m max.



500 mm	13.0 kg	
500 mm sections	13.0 kg	

HWD150.12.86

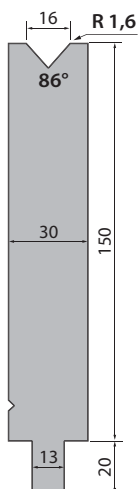
500 kN/m max.



500 mm	15.0 kg	
500 mm sections	15.0 kg	

HWD150.16.86

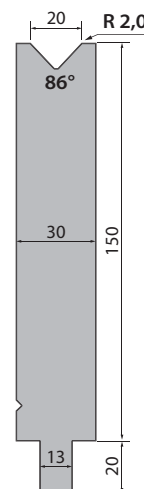
700 kN/m max.



500 mm	18.0 kg	
500 mm sections	18.0 kg	

HWD150.20.86

700 kN/m max.

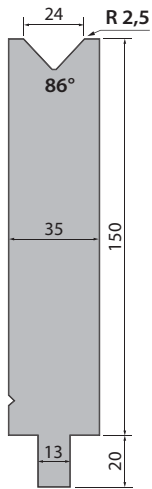


500 mm	18.4 kg	
500 mm sections	18.4 kg	

Dies 86°, H=150 mm

HWD150.24.86

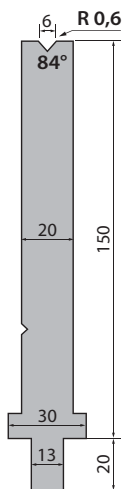
700 kN/m max.



500 mm		21.0 kg
500 mm sections		21.0 kg

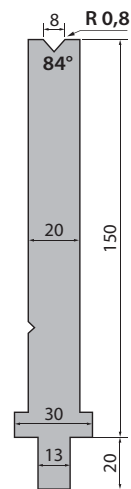
Dies 84°, H=150 mm

HWD150.06.84



500 mm	13.0 kg	
500 mm sections	13.0 kg	

HWD150.08.84

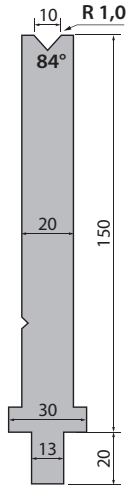


500 mm	13.0 kg	
500 mm sections	13.0 kg	

Dies 84°, H=150 mm

HWD150.10.84

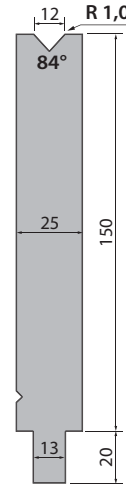
500 kN/m max.



500 mm	13.0 kg	
500 mm sections	13.0 kg	

HWD150.12.84

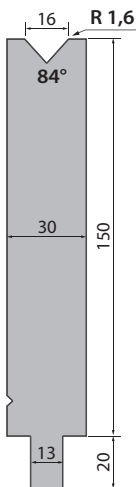
500 kN/m max.



500 mm	15.6 kg	
500 mm sections	15.6 kg	

HWD150.16.84

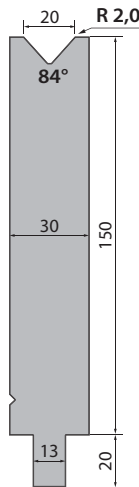
700 kN/m max.



500 mm	\$ 200	18.0 kg
500 mm sections	\$ 300	18.0 kg

HWD150.20.84

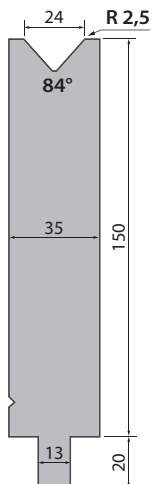
700 kN/m max.



500 mm	18.4 kg	
500 mm sections	k	

HWD150.24.84

700 kN/m max.

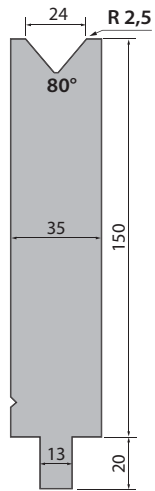


500 mm	21.0 kg	
500 mm sections	21.0 kg	

Dies 80°, H=150 mm

HWD150.24.80

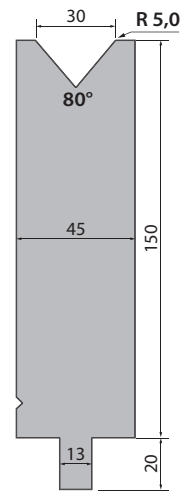
700 kN/m max.



500 mm	21.0 kg	
500 mm sections	21.0 kg	

HWD150.30.80

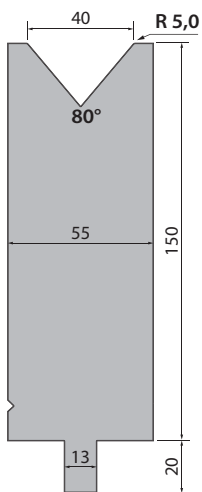
900 kN/m max.



500 mm	26.0 kg	
500 mm sections	26.0 kg	

HWD150.40.80

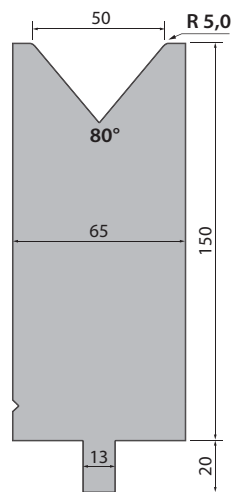
1200 kN/m max.



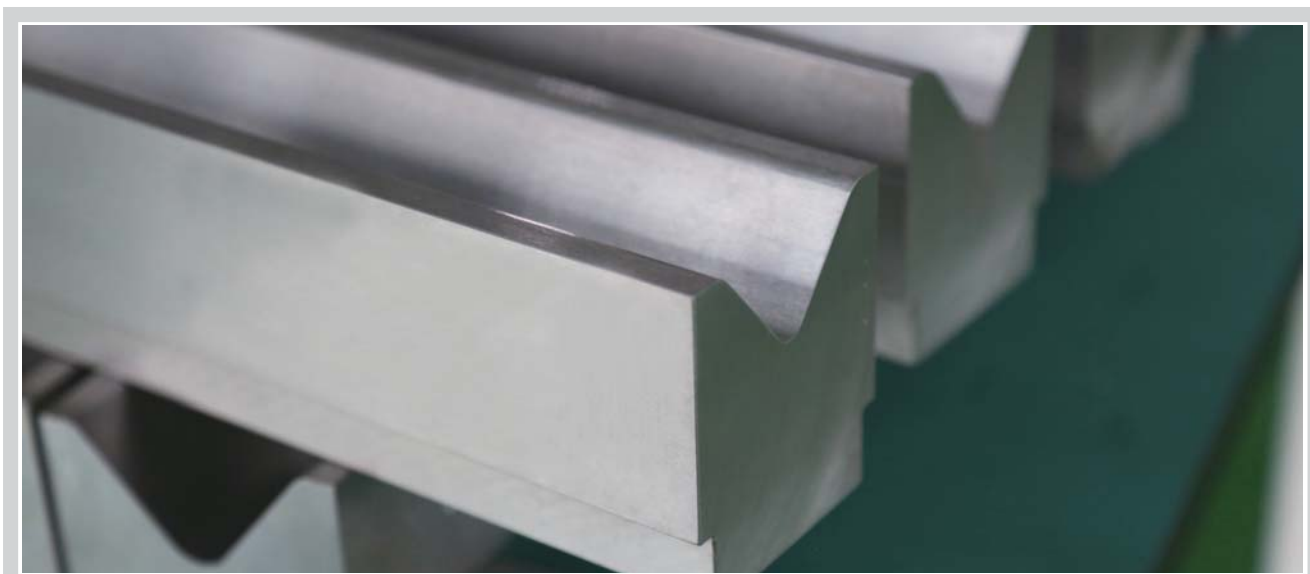
500 mm	31.0 kg	
500 mm sections	31.0 kg	

HWD150.50.80

1500 kN/m max.



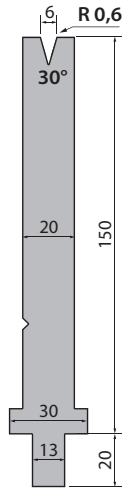
500 mm	36.0 kg	
500 mm sections	36.0 kg	



Dies 30°, H=150 mm

HWD150.06.30

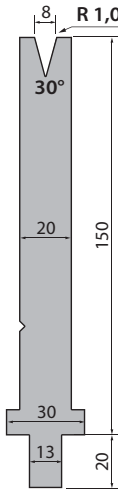
400 kN/m max.



500 mm	13.0 kg	
500 mm sections	13.0 kg	

HWD150.08.30

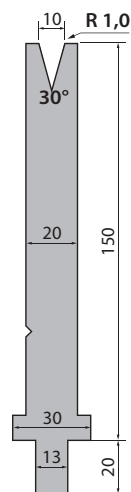
400 kN/m max.



500 mm	12.8 kg	
500 mm sections	12.8 kg	

HWD150.10.30

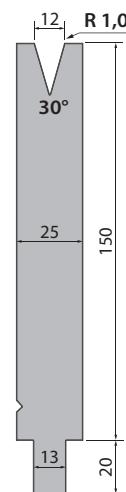
400 kN/m max.



500 mm	12.6 kg	
500 mm sections	12.6 kg	

HWD150.12.30

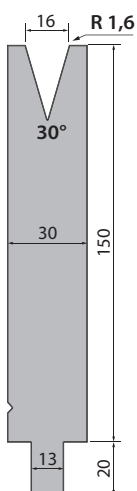
400 kN/m max.



500 mm	15.4 kg	
500 mm sections	15.4 kg	

HWD150.16.30

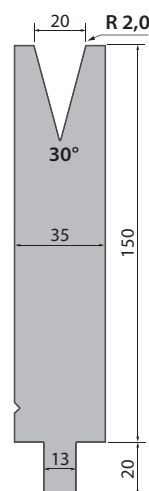
500 kN/m max.



500 mm	17.8 kg	
500 mm sections	17.8 kg	

HWD150.20.30

600 kN/m max.

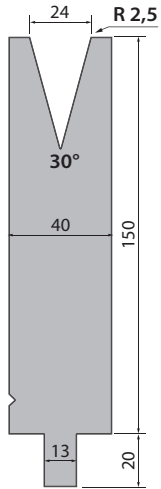


500 mm	20.0 kg	
500 mm sections	20.0 kg	

Dies 30°, H=150 mm

HWD150.24.30

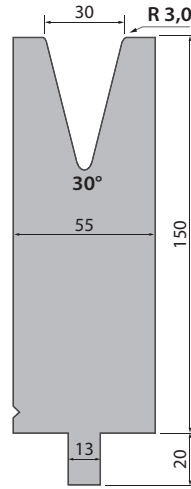
650 kN/m max.



500 mm	24.8 kg	
500 mm sections	24.8 kg	

HWD150.30.30

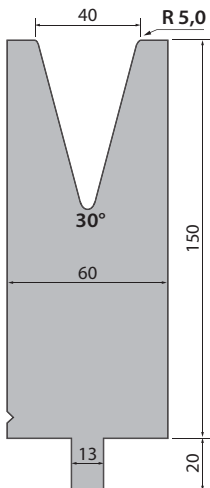
900 kN/m max.



500 mm	24.6 kg	
500 mm sections	24.6 kg	

HWD150.40.30

900 kN/m max.

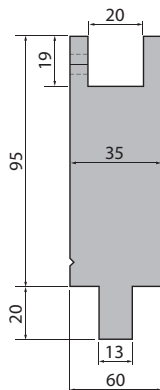


500 mm	25.4 kg	
500 mm sections	25.4 kg	

Synthetic Dies, H=100 mm

HSD95.20

1000 kN/m max.



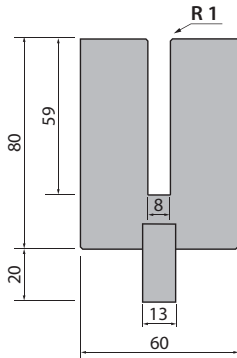
835 mm	12.0 kg	
415 mm	6.0 kg	

Hemming Dies

HWHT195.28.8

800/1000 kN/m max.

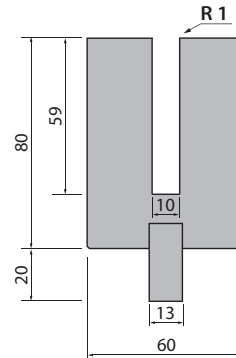
525 mm	12.0 kg	
525 mm sections	12.0 kg	



HWHT195.24.10

800/1000 kN/m max.

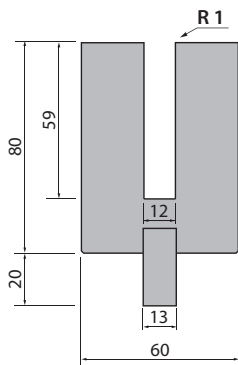
525 mm	11.8 kg	
525 mm sections	11.8 kg	



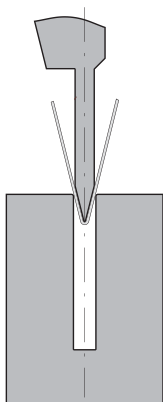
HWHT195.24.12

800/1000 kN/m max.

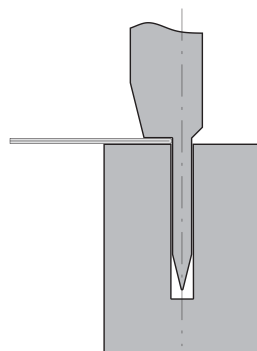
525 mm	11.5 kg	
525 mm sections	11.5 kg	



Example of application



800 kN/m max.



1000 kN/m max.



S (mm)	A (mm)	R.45 Kg/mm ² t/m	R.70 Kg/mm ² t/m
0.6	3.0	9	15
0.8	3.0	12	20
1.0	3.5	15	25
1.25	3.5	17	26

S (mm)	A (mm)	R.45 Kg/mm ² t/m	R.70 Kg/mm ² t/m
0.6	1.2	23	35
0.8	1.6	32	50
1.0	1.0	40	60
1.25	2.5	50	80

