



Harvia electric sauna heaters



Table of Contents

3	Natural well-being	
4	Heaters for small saunas	
5	Compact & Vega Compact	
6	Delta, Delta EE & Delta Combi	
7	Family sauna heaters	
8	Kivi – NOVELTY!	
9	Fuga	
10	Figaro – NOVELTY!	
11	Moderna	
12	Sound	
13	Vega	
14	Topclass & Topclass Combi	
15	Symphony	
16	Forte	
17	Heaters for large and commercial saunas	
18	Elegance	
19	Senator & Senator Combi	
20	Sauna Steamer	
21	Club, Club Combi & Profi	
22	Legend – NOVELTY!	
23	Hidden Heater	
24	Selecting the heater	
24	Control units	The instructions for installation and use of
26	Additional sauna products	all the products can be found on website
27	Infrared radiators	www.harviasauna.com/manuals .



Harvia products are designed and manufactured with the environment in mind. Sustainable choices are not only good for the environment, they are also good for people. The Harvia Cares symbol demonstrates that Harvia is committed to sustainable development.

The material of this brochure has also been selected with respect for nature. It has been pressed on paper mill M-real Äänekoski's Galerie Art Silk paper in which manufacture has been used wood from PEFC Certified forests – environmentally friendly local material.



Natural well-being.

Harvia is more than just a sauna. It is an overall experience wherein you can enjoy the natural well-being that wells from Finnish sauna traditions and the presence of nature. In a Harvia sauna the essential elements of nature – wood, stone and water – combine to create a relaxing oasis of well-being.

The soft warmth of sauna offers you several health benefits: improved blood circulation and immunity, relief from muscle pain and headache, stress relief, and physical and mental relaxation.

Total sauna enjoyment refers to a holistic experience crowned by even and soft heat. The heater is the heart of your sauna – the source of a relaxing sauna bath. Harvia's popular heaters have always been pioneers – elegant, durable and economic. All Harvia heaters are also equipped with an exceptionally efficient and controlled air-circulation system that warms up the heater and the sauna quickly.

We value nature and its diversity. Therefore we want to take care of its purity by developing as environmentally friendly products as possible. Harvia's versatile range of electric heaters makes it easy to choose a heater that suits your needs.

HARVIA Natural well-being.



Harvia heaters for small saunas

Relax in a sauna surrounded by wonderful silence, the heat softly caressing your skin.

Also a small sauna can be good. You need not sacrifice quality and functionality even if space is scarce. You can find an elegant and user-friendly heater of a suitable size in Harvia's range of electric heaters. Design your sauna to be your own oasis of good feeling.



Compact

Even and soft heat.

Harvia Compact is a high-quality electric heater made of stainless steel. It is a safe and user-friendly heater designed for small saunas intended for 1 to 2 people. The heater is equipped with a built-in illuminated control panel on one side, improving user comfort. The heater is supplied complete with a water collection tray at the bottom and a wooden heater guard that gives the heater an individual look. The symmetrical design of the Compact heater makes it easy to place and install it in the sauna.



Vega Compact

Powerful package for a small sauna.

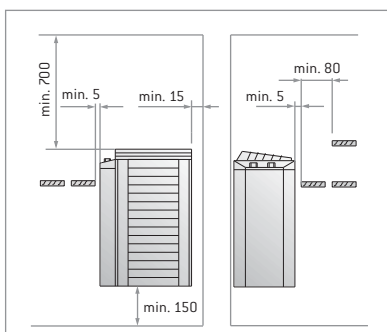
The Compact JM20, JM25 and JM30 models are equipped with a built-in control panel. The models JM20E, JM25E and JM30E are controlled by a separate control unit.

Harvia Vega Compact is a powerful package for a small sauna. Vega Compact is easy to use, because the operating switches are placed ergonomically in the upper part of the heater. The heater can be mounted very low on the sauna wall so it provides heat for the lower benches as well.

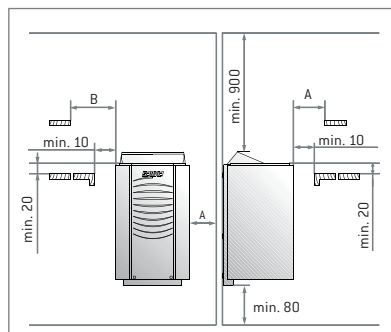
Vega Compact is easy to install. Just mount the rack to the wall, lift the heater to the mounting rack and fix it on to it with one screw. The heater is made of stainless steel.

Vega Compact is available in models BC23 and BC35 which are equipped with a built-in control unit. Models BC23E and BC35E are controlled by a separate control unit.

Compact, safety distances (mm)



Vega Compact, safety distances (mm)



Technical data

Heater model	Power kW	Recommended sauna room size min.-max. m ³	Sauna room height min. mm	Stone capacity max. kg	400 V 2N~		230 V 1N~		A min. mm	B min. mm
					Connecting cables mm ²	Fuse A	Connecting cables mm ²	Fuse A		
JM20/JM20E	2,0	1,2–2	1500	10	4 x 1,5	2 x 10	3 x 1,5	1 x 10	-	-
JM25/JM25E	2,5	1,5–2,5	1500	10	4 x 1,5	2 x 10	3 x 2,5	1 x 13	-	-
JM30/JM30E	3,0	2–4	1500	10	4 x 1,5	2 x 10	3 x 2,5	1 x 16	-	-
BC23/BC23E	2,3	1,3–2,5	1700	12	4 x 1,5	2 x 10	3 x 1,5	1 x 10	10	20
BC35/BC35E	3,5	2–4,5	1700	12	4 x 1,5	2 x 10	3 x 2,5	1 x 16	20	30

Safety distances

Compact: heater dimensions: width 300/245 (E) mm, depth 220 mm and height 540 mm, weight 9 kg.

Vega Compact: heater dimensions: width 280 mm, depth 295/270 (E) mm and height 505 mm, weight 7 kg.

Delta



Delta EE



Delta Combi



Delta, Delta EE and Delta Combi

Small on the outside, big on the inside.

Harvia Delta is a powerful package for a small sauna. It is a compact and efficient heater with a large stone space. The stainless outer casing of the heater gives your sauna a modern look. The triangular design allows Delta to be installed in a corner, improving the efficiency of space utilisation in the sauna. The heater is easy to mount on the separate mounting rack included in the delivery.

The Delta EE model is equipped with an illuminated digital control panel which

makes the heater easy to use. The operating time can be chosen between 2 and 8 hours, the factory setting is four hours. The pre-setting time range is between 0 and 18 hours. The Delta range of heaters also includes model with steamer (Combi). The water tank holds 2 litres.

Delta models D23 and D36 are equipped with a built-in control unit. The models D23E and D36E are controlled by a separate control unit.

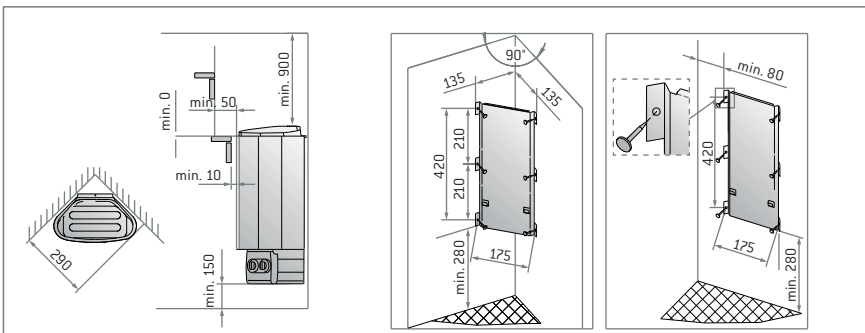
Delta EE models D23EE, D29EE and D36EE are controlled by separate control panel which can be located inside or outside the sauna room. The length of the data cable is 3 m (with 5 m or 10 m as options).

The Delta Combi model D29SE is controlled by a separate Griffin Combi, C105S Logix or Fenix control unit.



Safety distances (mm)

Mounting rack (mm)



Technical data

Heater model	Power kW	Recommended sauna room size min.-max. m ³	Sauna room height min. mm	Stone capacity max. kg	400 V 2N~		230 V 1N~	
					Connecting cables mm ²	Fuse A	Connecting cables mm ²	Fuse A
D23/D23E	2,3	1,3–2,5	1700	11	4 x 1,5	2 x 10	3 x 1,5	1 x 10
D36/D36E	3,6	2–4,5	1700	11	4 x 1,5	2 x 10	3 x 2,5	1 x 16
D23EE	2,3	1,3–2,5	1700	11	4 x 1,5	2 x 10	3 x 1,5	1 x 10
D29EE	2,9	2–4	1700	11	4 x 1,5	2 x 10	3 x 2,5	1 x 13
D36EE	3,6	2–4,5	1700	11	4 x 1,5	2 x 10	3 x 2,5	1 x 16
D29SE	2,9	1,5–4	1700	11	-	-	3 x 2,5	1 x 13 (1 x 16)

Heater dimensions: width 340 mm, depth 200 mm and height 635 mm, weight 8 kg.



Harvia family sauna heaters

Enjoy a sauna bath with your family – or dedicate relaxing sauna enjoyment to yourself.

Design your sauna to suit the needs of your family and choose a suitable Harvia heater as its heart. The heaters in the Harvia family sauna range are of known Harvia quality: elegant, easy to use, durable and economic.



Kivi

Vitality from primitive strength.

Harvia Kivi sauna heater offers a luxuriously strong sauna experience. You can adjust the nature of the heat from soft to sharp by throwing water either to the side of the heater or straight on top of the stone pillar. The heater offers an enjoyably humid sauna bath even at a moderately low temperature and the warmth lingers long between the stones.

Harvia Kivi electric heater produces a traditional soft sauna bath in a modern way. This floor mounted heater model has nearly 100 kg of sauna stones, which is proved to be the correct amount to of-

fer a vigorous heat within a reasonable time. The stones are located in a two-part, triangular steel frame. This stylish and distinguished design makes room for the natural strengths of the stone.

Harvia Kivi can be located near the benches for its surface temperature is relatively low. You can also embed the heater to the lower bench with the help of an embedding flange made from stainless steel. A safety railing made of alder is also available.

Novelty!

Registered design.



Harvia Kivi heater (models PI70 and PI90) is equipped with a separate digital control panel. This makes heater use extremely easy and, for example, allows you to adjust the temperature accurately – even by just one degree. Control panel can be located in or outside the sauna with a data cable. The length of the data cable is 3 m (with 5 m or 10 m as options).

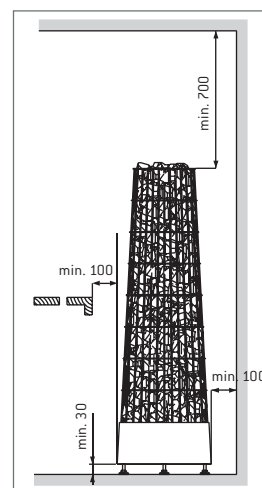
Harvia Kivi models PI70E and PI90E are controlled with a separate Harvia control unit (for example Griffin, C150 and Fenix).

Technical data

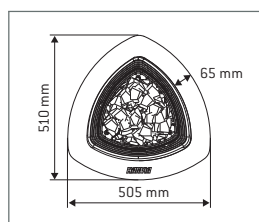
Heater model	Power kW	Recommended sauna room size min.-max. m ³	Sauna room height min. mm	Stone capacity ca. kg	400 V 3N-		230 V 1N-	
					Connecting cables mm ²	Fuse A	Connecting cables mm ²	Fuse A
PI70/PI70E	6,9	6–10	1900	100	5 x 1,5	3 x 10	3 x 6	1 x 35
PI90/PI90E	9,0	8–14	1900	100	5 x 2,5	3 x 16	3 x 10	1 x 40

Heater dimensions: width 370 mm, depth 370 mm and height 1200 mm, weight 15 kg.

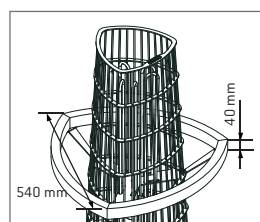
Safety distances (mm)



Embedding flange (accessory)



Safety railing (accessory)



"Kivi" is a Finnish word and means "stone".



Fuga

Uniquely relaxing sauna experience.

The Harvia Fuga heater with soapstone offers you a uniquely relaxing sauna experience! Fuga produces a humid heat that spreads evenly and lasts just as long as you want. Having a large area of stone with gentle steam generated upwards, Fuga warms you and your family sauna evenly from head to toe, from upper to lower bench. The even distribution of heat gives everybody in the sauna an enjoyable bath.

Harvia Fuga combines modern design, unique soapstone surface pattern,

and durable quality. Top-quality heat is guaranteed by the patented SteamFlow system that directs the water behind the stones and then back on the front surface again, turning it into a beautiful steam. Directing the water also to the back surface where the soapstone is at its hottest enables a truly pleasant humid heat.

Fuga is more than a conventional heater with soapstone. The high-quality, stainless steel design heater comes with an easy-to-use digital control panel and

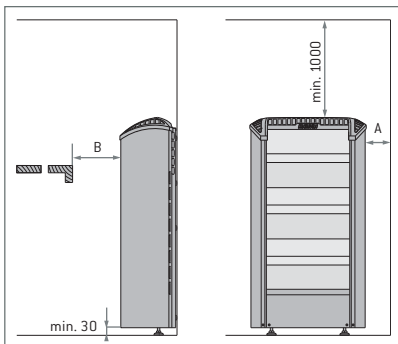
lights which illuminate the rising steam, creating a unique atmosphere.

The Fuga models FU60 and FU90 are equipped with a separate splash-proof control panel that can be placed inside or outside the sauna room. The length of the data cable is 3 m (with 5 m or 10 m as options).



Models FU60E and FU90E are controlled with a separate Harvia control unit (for example Griffin, C150 and Fenix).

Safety distances (mm)



The SteamFlow® evaporation system guarantees an enjoyably humid heat.

Technical data

Heater model	Power kW	Recommended sauna room size min.-max. m ³	Sauna room height min. mm	Soapstone kg	400 V 3N-		230 V 1N-		A min. mm	B min. mm
					Connecting cables mm ²	Fuse A	Connecting cables mm ²	Fuse A		
FU60/FU60E	6,0	5-8	1900	30	5 x 1,5	3 x 10	3 x 6	1 x 35	50	230
FU90/FU90E	9,0	8-14	1900	30	5 x 2,5	3 x 16	3 x 10	1 x 40	70	290

Safety distances

Heater dimensions: width 480 mm, depth 235 mm and height 900 mm, weight 20 kg.



Figaro

Captivating sauna bath experience.

Novelty!

Registered design.

Harvia Figaro brings something completely new into a family sauna. Heater's design combines traditional materials, steel and stone in a modern way. The heater's big stone amount, even 90 kg, enables comfortable, moist sauna bath. The high stone space is open from the

bottom to the top which makes throwing of water easy and guarantees even and pleasant heat in the sauna, also on the lower benches. Figaro is a floor-mounted heater that props to the wall from the back. The operating switches are placed down on the heaters front side.

The outer casing of the heater is painted graphite grey. The steel grid covering the stone space is made of stainless steel. The Figaro models FG70 and FG90 are equipped with a built-in control unit. The models FG70E and FG90E are controlled by a separate control unit.

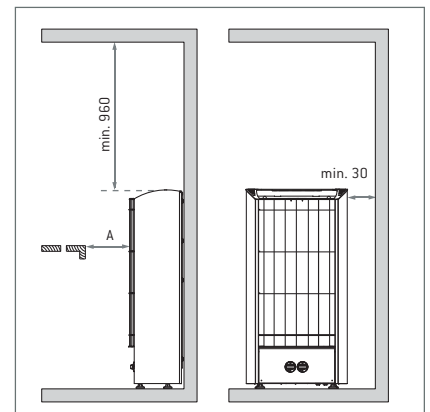
Technical data

Heater model	Power kW	Recommended sauna room size min.-max. m ³	Sauna room height min. mm	Stone capacity max. kg	400 V 3N~		230 V 1N~		A min. mm
					Connecting cables mm ²	Fuse A	Connecting cables mm ²	Fuse A	
FG70/FG70E	6,8	6-10	1900	90	5 x 1,5	3 x 10	3 x 6	1 x 35	100
FG90/FG90E	9,0	8-14	1900	90	5 x 2,5	3 x 16	3 x 10	1 x 40	150

Heater dimensions: width 480 mm, depth 260 mm and height 940 mm, weight 20 kg.

Safety distances

Safety distances (mm)





Moderna

Design heater with a digital feature.

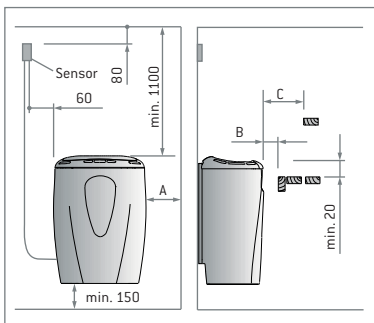
Harvia Moderna is the royalty of electric heaters. Moderna heats your sauna quickly and in silence up to the bathing temperature. Harvia's patented control electronics make it easy to heat your sauna in accordance with your preferences – to an accuracy of one degree. A separate electronic sensor keeps the sauna temperature even for the entire duration of bathing. The heating elements have been designed to endure intense use.

Moderna is supplied with a separate digital control panel. It is equipped with illuminated switches and a digital display indicating the set temperature and the timer. The operating time can be chosen between 2 and 8 hours, the factory setting is four hours. The pre-setting time range is between 0 and 18 hours.

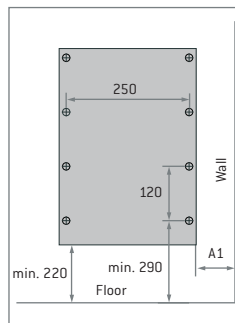
Pick the colour that is most suitable for your sauna: luxurious platinum, elegant champagne or modern titanium [brushed, stainless steel].

The Moderna models V45E, V60E and V80E are equipped with a separate splash-proof control panel that can be placed inside or outside the sauna room. The length of the data cable is 3 m [with 5 m or 10 m as options].

Safety distances (mm)



Mounting rack (mm)



Technical data

Heater model	Power kW	Recommended sauna room size min.-max. m ³	Sauna room height min. mm	Stone capacity max. kg	400 V 3N-		230 V 1N-		Safety distances		Mounting rack	
					Connecting cables mm ²	Fuse A	Connecting cables mm ²	Fuse A	A min. mm	B min. mm	C min. mm	A1 min. mm
V45E	4,5	3–6	1900	25	5 x 1,5	3 x 10	3 x 2,5	1 x 20	35	20	35	110
V60E	6,0	5–8	1900	25	5 x 1,5	3 x 10	3 x 6	1 x 35	40	30	50	115
V80E	8,0	7–12	1900	25	5 x 2,5	3 x 16	3 x 6	1 x 35	70	30	60	145

Heater dimensions: width 410 mm, depth 310 mm and height 580 mm, weight 15 kg.



Sound

New rhythm for your sauna.

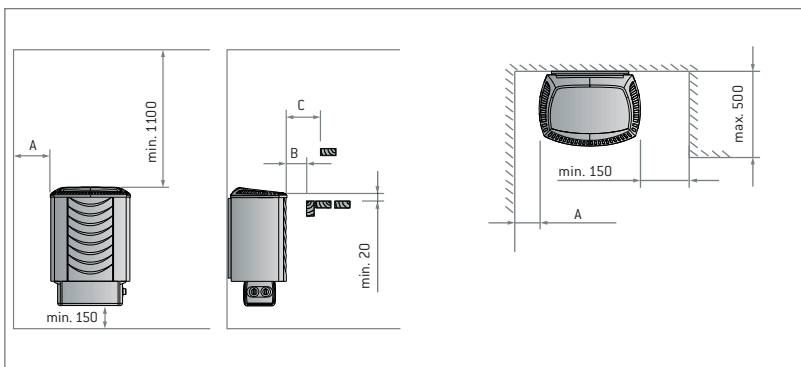
You can find a perfect match for yourself in the Harvia Sound series of heaters. Attractive design catches the eye. Sound is a user-friendly and personal choice for your sauna. It is a modern and reliable electric heater with well-designed details and high-quality materials. The

operating switches are located in the lower part, on the side of the heater.

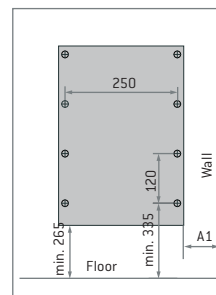
Select the most appealing Sound heater: platinum, champagne or stainless steel.

The Sound series models M45, M60 and M80 are equipped with a built-in control unit. The models M45E, M60E, M80E and M90E are controlled by a separate control unit.

Safety distances (mm)



Mounting rack (mm)



Technical data

Heater model	Power kW	Recommended sauna room size min.-max. m ³	Sauna room height min. mm	Stone capacity max. kg	400 V 3N-		230 V 1N-		A min. mm	B min. mm	C min. mm	A1 min. mm
					Connecting cables mm ²	Fuse A	Connecting cables mm ²	Fuse A				
M45/M45E	4,5	3-6	1900	25	5 x 1,5	3 x 10	3 x 2,5	1 x 25	35	20	35	115
M60/M60E	6,0	5-8	1900	25	5 x 1,5	3 x 10	3 x 6	1 x 35	50	30	50	130
M80/M80E	8,0	7-12	1900	25	5 x 2,5	3 x 16	3 x 6	1 x 35	100	30	80	180
M90E	9,0	8-14	1900	25	5 x 2,5	3 x 16	-	-	120	40	100	200

Safety distances

Mounting rack

Heater dimensions: width 420 mm, depth 310 mm and height 620 mm, weight 16 kg.



Vega

A basic heater of top class.



Harvia Vega is an elegant heater that is easy-to-use. The stainless steel outer casing of the heater gives your sauna a modern look. The operating switches are placed ergonomically in the upper part, on the side of the heater, which provides easy operating.

Vega is easy to mount on a separate mounting rack. Because of the sym-

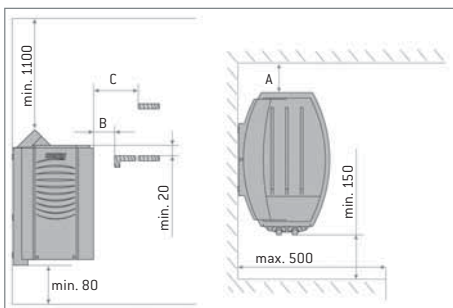
metrical design, there is no need to change the handedness of the heater – it is simply selected. Electrical connections are made from the side of the heater, which makes installation easy.

Vega's structure makes it possible to mount the heater low on the sauna wall. This allows the heat to spread evenly

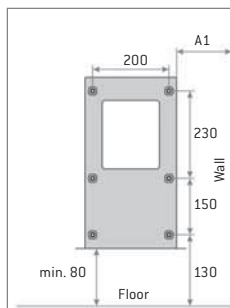
throughout the sauna, ensuring that the lower benches also enjoy plenty of heat.

The Vega models BC45, BC60, BC80 and BC90 are equipped with a built-in control unit. The models BC45E, BC60E, BC80E and BC90E are controlled by a separate control unit.

Safety distances (mm)



Mounting rack (mm)



Technical data

Heater model	Power kW	Recommended sauna room size min.-max. m ³	Sauna room height min. mm	Stone capacity max. kg	400 V 3N-		Safety distances			Mounting rack
					Connecting cables mm ²	Fuse A	A min. mm	B min. mm	C min. mm	A1 min. mm
BC45/BC45E	4,5	3–6	1900	25	5 x 1,5	3 x 10	35	20	35	145
BC60/BC60E	6,0	5–8	1900	25	5 x 1,5	3 x 10	50	30	50	160
BC80/BC80E	8,0	7–12	1900	25	5 x 2,5	3 x 16	100	30	80	210
BC90/BC90E	9,0	8–14	1900	25	5 x 2,5	3 x 16	120	40	100	220

Heater dimensions: width 480/450 (E) mm, depth 310 mm and height 540 mm, weight 11 kg.



Topclass

User-friendly basic heater.

Harvia Topclass is a user-friendly heater. The stone space is made of stainless steel. The illuminated control panel is placed on the side of the heater towards the top section, which makes it easy to access the switches even in the dim lighting of a sauna room. The heater is easy to mount on a separate mounting rack, and the control panel can be mounted either on the right side or the left side of the heater as appropriate. The outer casing of the heater is made of stainless steel.

The Topclass models KV30, KV45, KV60 and KV80 are equipped with a built-



Topclass Combi

An experience for your senses.

in control panel. The models KV30E, KV45E, KV60E and KV80E are controlled by a separate control unit.

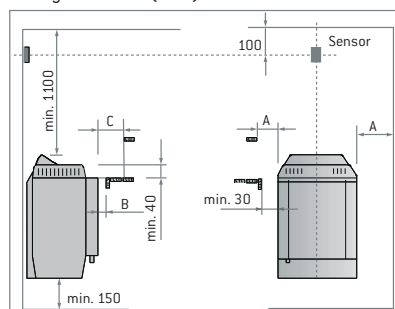
Harvia Topclass Combi is a combined electric heater and steamer that provide different sauna pleasures. You can select between a traditional Finnish sauna, a steam sauna, a herbal sauna or a fragrant sauna. This heater is the correct choice for bathers who appreciate a soft and humid bath and an aromatic atmosphere.

Topclass Combi is a wall-mounted electric heater with a top-quality stainless

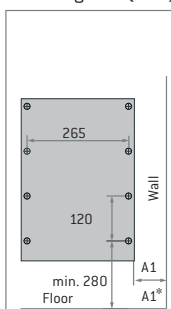
steel surface. The water tank holds 5.5 litres. The heater has soapstone cups to hold liquid fragrances and a stainless steel grate for bagged aromatic fragrances.

The Combi heaters are controlled by a separate Griffin Combi, C105S Logix or Fenix control unit. Topclass Combi models are KV50SE, KV60SE, KV80SE and KV90SE. Automatic filling of the water tank is standard on models KV50SEA, KV60SEA, KV80SEA and KV90SEA. For automatic models, water supply with shut-off valve is needed.

Safety distances (mm)



Mounting rack (mm)



A1* Connection box against wall (min.)

Technical data

Heater model	Power kW	Recommended sauna room size min.-max. m ³	Sauna room height min. mm	Stone capacity max. kg	400 V 3N -cables mm ²				230 V 1N-		Safety distances			Mounting rack	
					Connecting cables mm ²	Fuse A	Connecting cables mm ²	Fuse A	A min. mm	B min. mm	C min. mm	A1 min. mm	A1* min. mm		
KV30/KV30E	3,0	2-4	1900	20	4 x 1,5	2 x 10	3 x 2,5	1 x 16	20	30	60	80	195		
KV45/KV45E	4,5	3-6	1900	20	5 x 1,5	3 x 10	3 x 4	1 x 25	35	30	80	95	195		
KV60/KV60E	6,0	5-8	1900	20	5 x 1,5	3 x 10	3 x 6	1 x 35	50	30	120	110	195		
KV80/KV80E	8,0	7-12	1900	20	5 x 2,5	3 x 16	3 x 6	1 x 35	100	30	150	160	195		
					To control unit	To junction box	Connecting cable to heater	Cable to sensor mm ²	Fuse A						
KV50SE/KV50SEA	5,0	3-6	1900	20	5 x 1,5	7 x 1,5	7 x 1,5	4 x 0,25	3 x 10	See instructions for installation and use.	35	10	20	95	-
KV60SE/KV60SEA	6,0	5-8	1900	20	5 x 1,5	7 x 1,5	7 x 1,5	4 x 0,25	3 x 10		50	10	60	110	-
KV80SE/KV80SEA	8,0	7-12	1900	20	5 x 2,5	7 x 2,5	7 x 2,5	4 x 0,25	3 x 16		100	10	90	160	-
KV90SE/KV90SEA	9,0	8-14	1900	20	5 x 2,5	7 x 2,5	7 x 2,5	4 x 0,25	3 x 16		120	10	100	180	-



Symphony

Handy, economic and always ready.



Harvia Symphony is always ready for bathing without any pre-heating. Open the heater cover, get on the bench, throw some water on the hot stones and sit back to enjoy. Symphony guarantees that you can have a humid and soft bath immediately when you want. The sauna temperature will rise if you let the heater operate at maximum power for a while with the cover opened.

The heater design emphasises ease of use in addition to short heating times. The operating switches are concentrated on an illuminated control panel

built into the heater. It is easy to adjust the heater power and the air circulation valve.

Symphony is an economic heater of durable Harvia quality. The entire stone space is made of stainless steel. The efficient thermal insulation enables the heater to maintain its bathing temperature, more than 300 °C, using a modest 250 watts of electrical power. In between baths, the heater works as a normal radiator in the sauna. The heater's properties are the best in saunas with good thermal insulation and no massive

materials (such as concrete, log or glass blocks). Only large, split-face sauna stones (over 10 cm in diameter) must be used in all electric storage heaters. For more information on sauna stones, see page 26.

Symphony is the right choice for families who use the sauna several times a week but not necessarily at fixed times. The colour is luxurious platinum.

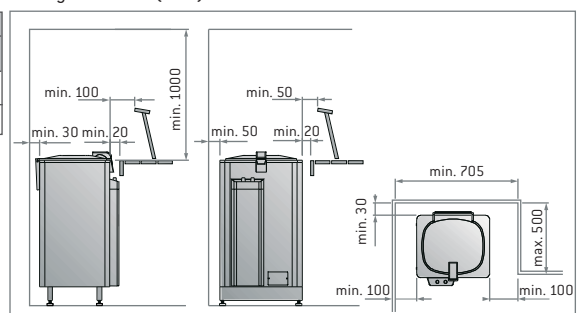
Symphony models AV4 and AV6.

Technical data

Heater model	Power kW	Recommended sauna room size min.-max. m ³	Sauna room height min. mm	Stone capacity max. kg	400 V 3N~		230 V 1N~	
					Connecting cables mm ²	Fuse A	Connecting cables mm ²	Fuse A
AV4	4,0	5-8	1900	100	4 x 1,5	2 x 10	3 x 2,5	1 x 20
AV6	6,0	7-12	1900	100	5 x 1,5	3 x 10	3 x 6	1 x 35

Heater dimensions: width 505 mm, depth 430+60 mm and height 870 mm, weight 50 kg.

Safety distances (mm)





Forte

A soft bath – for relaxation.



Harvia Forte is a new, more modern version of heat-storing heaters. The economic features are dressed in an elegantly designed heater casing. Forte's unique design and technique make it the finest heat-storing heater available.

The low bathing temperature characteristic of Forte guarantees a pleasant humid and abundant bath. The heater's properties are the best in saunas with good thermal insulation and no massive materials (such as concrete, log or glass blocks). Efficient thermal insula-

tion ensures that the energy consumption stays low.

Harvia Forte's operating switches are located in the illuminated digital panel. This allows easy adjustment of the temperature as well as the heater power. Thanks to a revolutionary technique, the Forte heater is ready for another bathing session quicker than other corresponding heater models. Compared to other heat-storing heaters, Forte has a low profile with a height of no more than 830 mm – providing enough heat for the

lower benches as well. The stone space is made of stainless steel. Only large, split-face sauna stones (over 10 cm in diameter) must be used in all electric storage heaters. For more information on sauna stones, see page 26.

Forte's soft heat is well suited for family saunas. Forte is available in mocca colour or in stainless steel. Just pick your favourite.

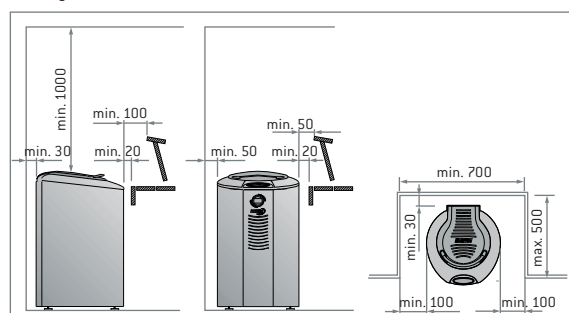
Forte models AF4, AF6 and AF9.

Technical data

Heater model	Power kW	Recommended sauna room size min.-max. m ³	Sauna room height min. mm	Stone capacity max. kg	400 V 3N~	
					Connecting cables mm ²	Fuse A
AF4	4,0	5–8	1900	100	5 x 1,5	3 x 10
AF6	6,0	7–12	1900	100	5 x 1,5	3 x 10
AF9	9,0	10–15	1900	100	5 x 2,5	3 x 16

Heater dimensions: width 500 mm, depth 535 mm and height 830 mm, weight 30 kg.

Safety distances (mm)





Harvia heaters for large and commercial saunas

A relaxing moment together in a pleasant sauna bath is a shared enjoyment.

The heaters in large saunas and saunas in continuous use must be efficient and durable. The humidity and temperature in the sauna must remain stable for long periods of time. The characteristics of Harvia commercial sauna heaters are particularly well-suited for saunas in hotels, health clubs, wellness centres, indoor swimming pools, spa resorts and large corporate saunas.



Elegance

An elegant quality heater.

Harvia Elegance is an elegant heater that catches the eye. The design is stylish and the heater can be installed in the middle of the sauna floor or embedded to the benches. The heater is best suited for commercial saunas and large family saunas.

The appearance of Elegance can be supplemented by beautiful reddish wooden

handrail made of alder, well-suited for the stainless outer casing. The handrail is also available with halogen lamps sufficient for sauna lighting, adding to the atmosphere.

The Elegance heater is controlled by a separate control unit. Elegance models F10,5, F15, F16,5 and F18.

Accessories:

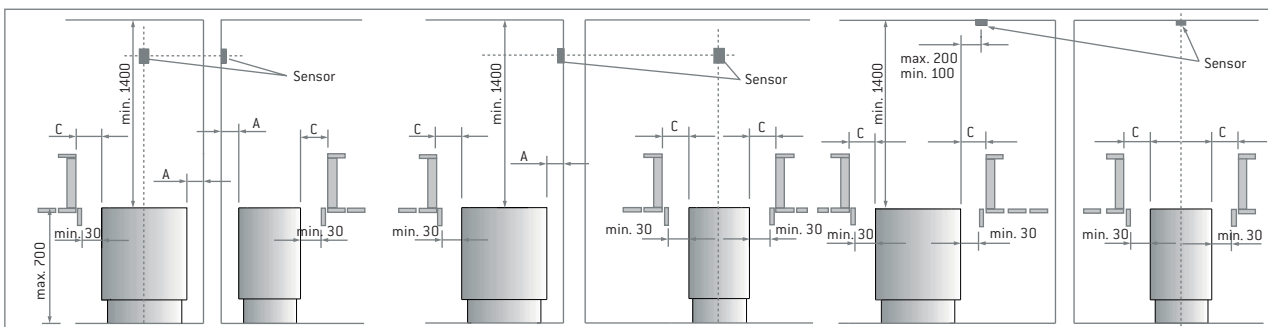
Wooden handrail, alder:

exterior measurements 650 x 650 mm, height 50 mm.

Illuminated handrail, alder (shown in the picture):

exterior measurements 650 x 650 mm, height 170 mm, 4 x 10 W halogen lamps.

Safety distances (mm)



Technical data

Heater model	Power kW	Recommended sauna room size min.-max. m ³	Sauna room height min. mm	Stone capacity max. kg	400 V 3N-cables mm ²			Cable to sensor mm ²	Fuse A	A min. mm	A max. mm	C min. mm
					To control unit	To junction box	Connecting cable to heater					
F10,5	10,5	9-18	2100	60	5 x 2,5	5 x 2,5	5 x 2,5	4 x 0,25	3 x 16	100	200	50
F15	15,0	14-26	2100	60	5 x 6,0	5 x 6,0	5 x 2,5	4 x 0,25	3 x 25	150	250	100
					To heater group 1 and 2				Front fuse A			
F16,5	16,5	16-30	2100	60	5 x 6,0	5 x 2,5	2 x 5 x 2,5	4 x 0,25	3 x 25	150	250	100
F18	18,0	20-35	2100	60	5 x 10	5 x 2,5	2 x 5 x 2,5	4 x 0,25	3 x 35	150	250	100

Safety distances

Heater dimensions: width 500 mm, depth 500 mm and height 700 mm, weight 26 kg.



Senator

Stylish and compact.

Harvia Senator is a floor-mounted electric heater specifically designed for those who really enjoy a sauna. The large stone space and six heating elements warm up the sauna evenly and efficiently. A constant temperature and soft steam are ideal for bathing for longer periods of time.

Senator is made almost entirely of stainless steel. It is well-suited for smaller commercial saunas for example in hotels as well as family saunas.

The Senator heater is controlled by a separate control unit. Senator models T9 and T10,5.



Senator Combi

A luxurious experience for the senses.

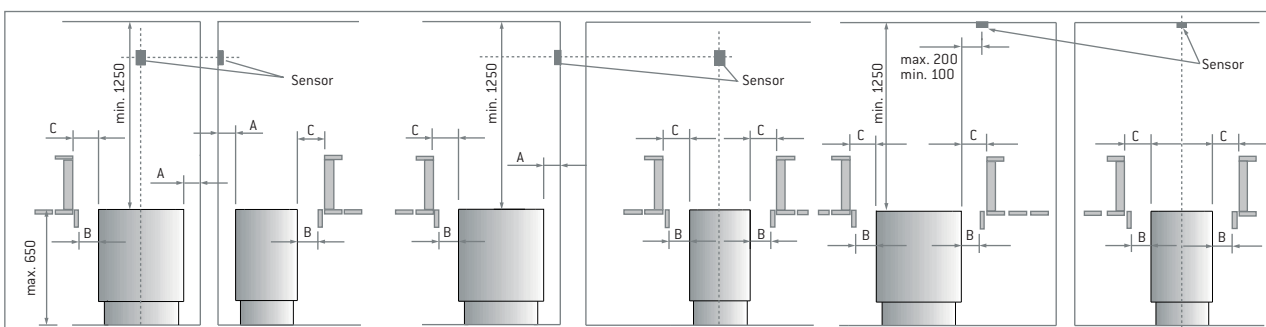
Harvia Senator Combi is a combined electric heater and steamer offering multiple ways of sauna bathing. Your sauna can become a traditional Finnish sauna, a steam sauna, a herbal sauna or a fragrant sauna – all sauna experiences in the same package.

Senator Combi is a floor-mounted electric heater with a top-quality stainless steel surface. The water tank holds 5.5 litres. The heater has soapstone cups to hold liquid fragrances and a stainless steel grate for bagged aromatic fragrances.

The Combi heaters are controlled by a separate Griffin Combi, C105S Logix or Fenix control unit. Senator Combi models T7C and T9C.

Automatic filling of the water tank is standard on models T7CA and T9CA. For automatic models, water supply with shut-off valve is needed.

Safety distances (mm)



Technical data

Heater model	Power kW	Recommended sauna room size min.-max. m ²	Sauna room height min. mm	Stone capacity max. kg	400 V 3N-cables mm ²			Cable to sensor mm ²	Fuse A	Safety distances			
					To control unit	To junction box	Connecting cable to heater			A min. mm	A max. mm	B min. mm	C min. mm
T9	9,0	8–14	1900	40	5 x 2,5	5 x 2,5	5 x 2,5	4 x 0,25	3 x 16	120	150	50	80
T10,5	10,5	9–15	1900	40	5 x 2,5	5 x 2,5	5 x 2,5	4 x 0,25	3 x 16	150	180	50	100
T7C/T7CA	7,0	6–9	1900	35	5 x 2,5	7 x 2,5	7 x 2,5	4 x 0,25	3 x 16	80	120	35	60
T9C/T9CA	9,0	8–14	1900	35	5 x 2,5	7 x 2,5	7 x 2,5	4 x 0,25	3 x 16	120	150	50	80

Senator: heater dimensions: width 465 mm, depth 345 mm and height 660 mm, weight 19 kg.

Senator Combi: heater dimensions: width 345 mm, depth 465 mm and height 660 mm, weight 20 kg.



Sauna Steamer

More humidity to your sauna.



Harvia Sauna Steamer is an independent additional unit for a normal electric heater, creating a softer and more humid sauna bath.

It is safe and easy to use the Sauna Steamer. Fill the steamer's water tank

and turn the steamer on. It takes about 10 minutes for the steam to start to form. If you want to have high humidity in the sauna atmosphere, the temperature must be kept low. The steamer can also be fitted to an existing sauna.

Steamer model SS20. Automatic filling of the water tank comes as standard with the model SS20A. For automatic models, water supply with shut-off valve is needed.

Technical data

Model	Power kW	Water tank capacity l	Vaporisation efficiency l/h	230 V 1N~	
				Connecting cables mm ²	Fuse A
SS20/SS20A	2,0	5,5	ca. 2,5	3 x 1,5	1 x 10

Dimensions: width 340 mm, depth 95 mm and height 680 mm, weight 6 kg.



Club, Club Combi and Profi

Super heaters for heavy-duty use.

The Club and Profi heaters from Harvia are designed to serve as true super heaters capable of providing heat for large numbers of users from morning till night.

Heaters used in large saunas or on a continuous basis must be functional, efficient and comfortable to use. The floor-mounted Club and Profi electric heaters are of the world-famous Harvia quality. They are completely made of stainless steel and provide

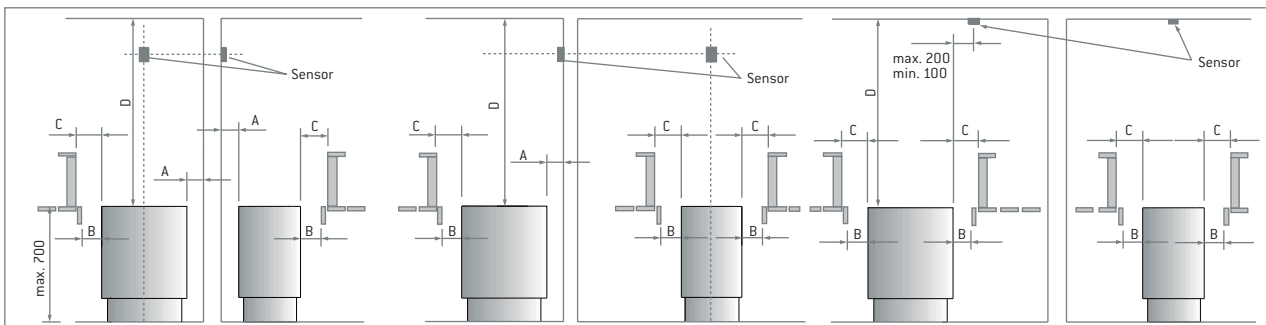
the power and durability required for heavy-duty use.

The Club and Profi heaters are excellent for health clubs, wellness centres, hotels, holiday resorts, indoor swimming pools, large family saunas and other facilities where saunas are in frequent use. You can select a heater for your sauna room from two sizes and several power options.

The Club range of heaters also includes models with steamer (Combi), which have automatic filling of the water tank. Water supply with shut-off valve is needed. The Club Combi models K11GS, K13,5GS and K15GS are controlled by a separate Griffin Combi, C105S Logix or Fenix control unit.

The Club and Profi heaters are controlled by a separate control unit. Club models K11G, K13,5G and K15G. Profi models L20, L26, L30 and L33.

Safety distances (mm)



Technical data

Heater model	Power kW	Recommended sauna room size min.-max. m ³	Sauna room height min. mm	Stone capacity max. kg	400 V 3N-cables mm ²			Cable to sensor mm ²	Fuse A	Safety distances					
					To control unit	To junction box	Connecting cable to heater			A min. mm	A max. mm	B min. mm	C min. mm	D min. mm	
CLUB	K11G	11,0	9-16	1900	60	5 x 2,5	5 x 2,5	5 x 2,5	4 x 0,25	3 x 16	70	170	50	70	1200
	K13,5G	13,5	11-20	2100	60	5 x 4,0	5 x 4,0	5 x 2,5	4 x 0,25	3 x 20	100	200	50	100	1400
	K15G	15,0	14-24	2100	60	5 x 6,0	5 x 6,0	5 x 2,5	4 x 0,25	3 x 25	100	200	50	100	1400
CLUB COMBI	K11GS	10,3	9-16	1900	60	3 x 1,5 *	4 x 1,5 *	5x1,5+4x1,5	-	3 x 16 *	70	170	50	70	1200
	K13,5GS	13,5	11-20	2100	60	3 x 1,5 *	4 x 1,5 *	5x2,5+4x1,5	-	3 x 20 *	100	200	50	100	1400
	K15GS	15,5	14-24	2100	60	3 x 1,5 *	4 x 1,5 *	5x2,5+4x1,5	-	3 x 25 *	100	200	50	100	1400
					To heater group 1 and 2			Front fuse A							
PROFI	L20	20,0	18-30	2100	100	5 x 10	5 x 2,5	5 x 2,5	4 x 0,25	3 x 35	160	-	100	200	1400
	L26	26,0	30-46	2200	100	5 x 16	5 x 6,0	5 x 2,5	4 x 0,25	3 x 50	160	-	100	200	1500
	L30	30,0	40-56	2200	100	5 x 16	5 x 6,0	5 x 2,5	4 x 0,25	3 x 50	200	-	100	200	1500
	L33	33,0	46-66	2200	100	5 x 16	5 x 6,0	5 x 2,5	4 x 0,25	3 x 50	200	-	100	200	1500

*) Club Combi requires a separate supply voltage for the heater (3-phase 16/25 A) and for the control unit (1-phase 10 A).

Club: heater dimensions: width 505 mm, depth 430 mm and height 700 mm, weight 25 kg.

Club Combi: heater dimensions: width 505 mm, depth 490 mm and height 700 mm, weight 30 kg.

Profi: heater dimensions: width 500 mm, depth 900 mm and height 730 mm, weight 60 kg.



Legend

The mighty original.



Novelty!

Registered design.

Harvia Legend gives you the ultimate sauna experience. This large heater takes you back to the origins – it entails the essence of the sauna. The patinated steel frame has 220 kg of stones inside and as they heat up, even a larger sauna gets a magnificent sauna bath. Due to

the open structure of the stone space, you can throw water on the entire outer surface of the heater. The heat charged in the large number of stones allows you to throw more water even at a lower temperature – you'll get a delightfully moist bathing experience.

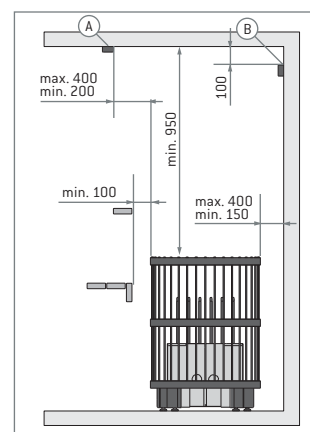
Due to the circular form, the Harvia Legend heater can be installed to the middle of the sauna or embedded to the benches. The heater is operated through a separate control unit (for example Griffin, C150, C260 and Fenix). Legend models P011 and P0165.

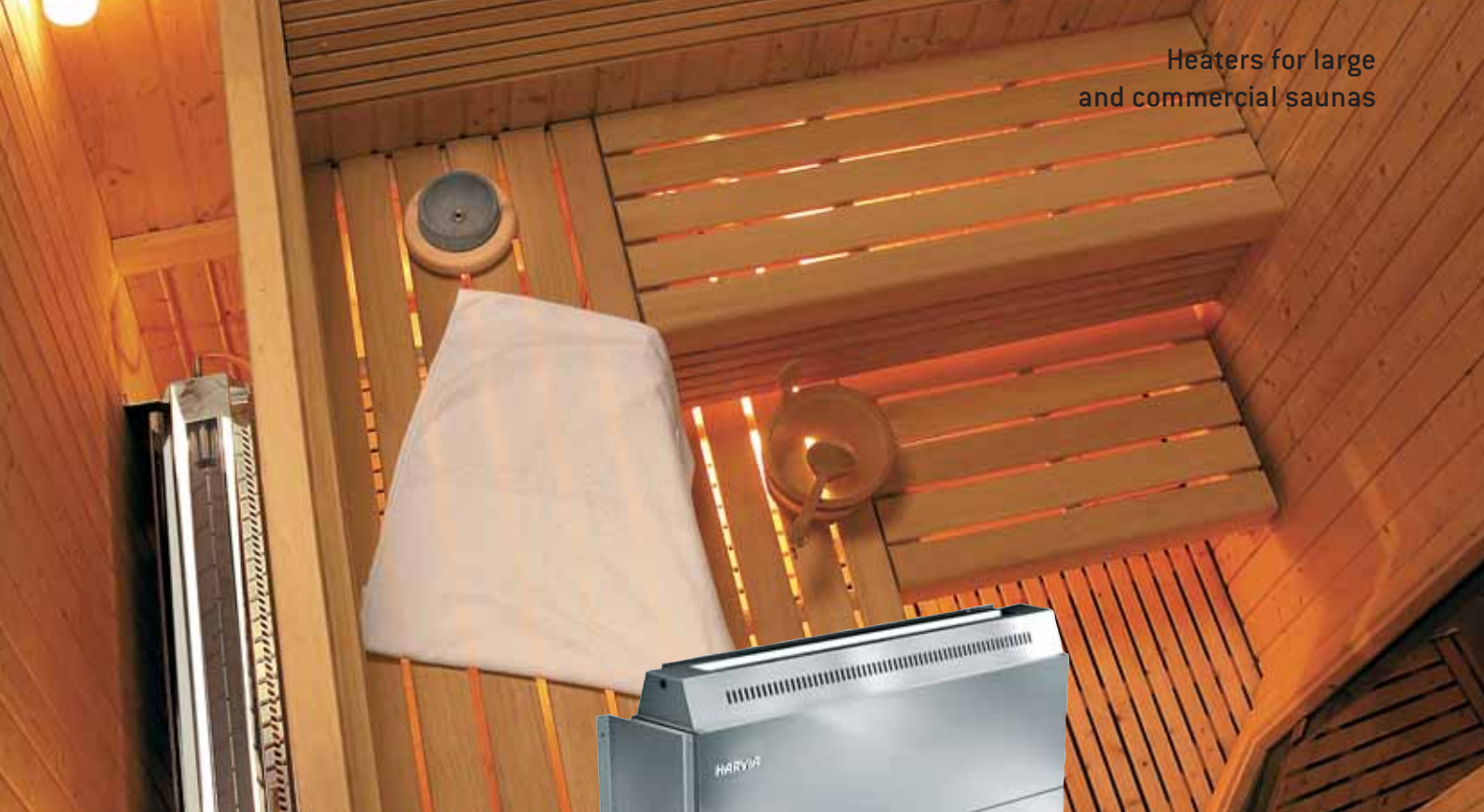
Technical data

Heater model	Power kW	Recommended sauna room size min.-max. m ³	Sauna room height min. mm	Stone capacity max. kg	400 V 3N - cables mm ²			Cable to sensor mm ²	Fuse A
					To control unit	To junction box	Connecting cable to heater		
P011	11,0	9–24	2000	220	5 x 2,5	5 x 2,5	5 x 2,5	4 x 0,25	3 x 16
P0165	16,5	16–35	2100	220	5 x 6,0	5 x 6,0	5 x 2,5	4 x 0,25	3 x 25

Heater dimensions: diameter 600 mm and height 830 mm, weight 28 kg.

Safety distances (mm) and the location options for the sensor (A, B)





Hidden Heater

A heater behind the benches.



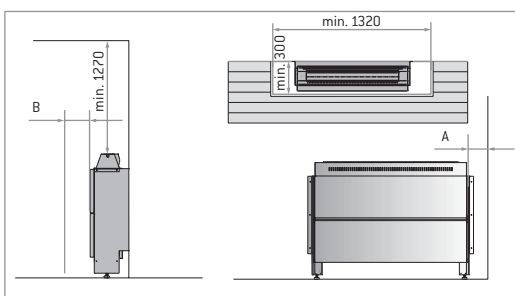
Harvia Hidden Heater is a practical heater requiring very little space. It is mounted behind the benches and is therefore very well-suited for community saunas.

Optional accessories for Hidden Heater include a soapstone bowl and a flexible hose pipe. The heat remains comfortably even when water is conveyed to the heater little by little. The bowl is placed on the bench and water is poured into it. The hose pipe takes the water to the heater.

This heater is designed for heavy-duty use and completely made of high-quality stainless steel.

The Hidden Heater is controlled by a separate control unit. Hidden Heater models HH6, HH9 and HH12.

Safety distances (mm)



Technical data

Heater model	Power kW	Recommended sauna room size min.-max. m ³	Sauna room height min. mm	Stone capacity max. kg	400 V 3N - cables mm ²			Cable to sensor mm ²	Fuse A	A min. mm	B min. mm
					To control unit	To junction box	Connecting cable to heater				
HH6	6,0	6–10	2100	15	5 x 1,5	5 x 1,5	5 x 1,5	4 x 0,25	3 x 10	75	75
HH9	9,0	10–14	2100	15	5 x 2,5	5 x 2,5	5 x 2,5	4 x 0,25	3 x 16	75	90
HH12	12,0	12–17	2100	15	5 x 4,0	5 x 2,5	5 x 2,5	4 x 0,25	3 x 20	90	120

Safety distances

Heater dimensions: width 1175 mm, depth 290 mm and height 830 mm, weight 33 kg.



Selecting the heater

The volume and structures of the sauna affect the selection of heater. An average of 1 kW of heater power is required for each cubic metre of sauna volume. The power requirement increases if there are window surfaces or heat-storing surfaces such as brick, concrete or non-insulated log in the sauna.

When building or renovating your sauna room, remember that the walls and particularly the ceiling require good thermal

insulation. One square metre of stone, glass or similar non-insulated surface increases the heater power requirement as much as if the sauna room cubage were increased by 1.2 cubic metres. If the interior wall of the sauna room is non-insulated log, multiply the cubic volume of sauna by 1.5. You should also pay attention to sauna room ventilation. Efficient air circulation ensures that the bathers can enjoy clean air that is easy to breathe.

Harvia control units

Control units make it easy to use the sauna. A separate control unit allows you to switch the heater on from a location other than the heater, for example a control unit mounted near the sauna, or even by remote control.

Select a heater type controlled by a separate control unit (E model) and choose the type of control unit that suits the usage of your sauna. Harvia's versatile range includes separate control units for the home and public premises. Harvia's control units are surface-mounted and are installed outside the sauna in a dry location. The control unit functions are implemented using modern processor technology, and the sensors are equipped with a resettable overheat protector.


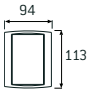
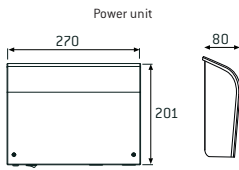
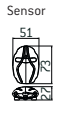

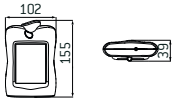
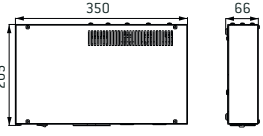
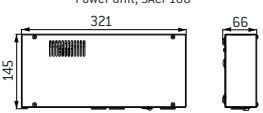

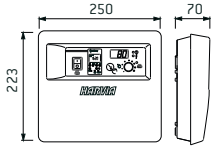
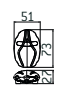

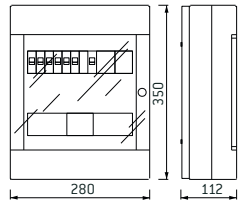

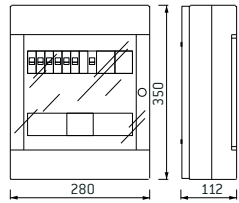



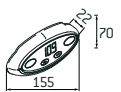
Harvia Griffin is an elegant, new-generation digital control unit. The Griffin product family consists of four control units for controlling different devices. Harvia Griffin (CG170) for controlling electric heater; Harvia Griffin Combi (CG170C) for controlling Combi heater or a combination of a heater and a steamer; and Harvia Griffin Infra (CG170I) for controlling infrared device. Harvia Griffin Colour Light control unit (CG170T) is for controlling Harvia colour light device.

Griffin control units CG170, CG170I and CG170T can be equipped with additional power units. Up to 8 power units can be connected in series so that they share the same control panel. This allows you to control up to 8 heaters, 64 infrared radiators or 16 colour light devices depending on control unit model.

Harvia Fenix introduces a new way of controlling your sauna in the digital age. The wireless control unit is equipped with a clear touch screen which you can use to control all the functions of your sauna. This piece of modern technology will make it possible for you to enjoy your sauna in a variety of new ways.

The well thought-out design and user-prompting functions of the control unit make it a simple task to set the pre-set and the operating time of your heater. The controls for the sauna temperature, humidity, lights, colour lights, as well as other aspects, are at your finger tips even when you are sitting comfortably on your couch.

With the weekly timer function of Fenix, you can easily program different heat and humidity settings for up to eight different sauna shifts. This way all groups using a commercial sauna can enjoy it to their satisfaction.

	Type	Functions	Times	Measurements
	<p>Griffin Control panel, power unit and separate sensor included. 400 V 3N-</p> <p>CG170, Griffin Control unit for controlling heater. Max. 17 kW</p> <p>CG170C, Griffin Combi Control unit for controlling Combi heater or heater and separate steamer. Max. directly to the heater 11 kW, to a Combi heater with a contactor 17 kW.</p> <p>CG170T, Griffin Colour Light Control unit for controlling colour light. Max. load/power unit 2 x 50 W colour light device.</p> <p>CG170I, Griffin Infra Control unit for controlling infrared device. Max. load/power unit 3,6 kW.</p>	<p>Digital control unit</p> <ul style="list-style-type: none"> - Temperature adjustment range + (40–110) °C - Control of lighting and fan - An extra temperature sensor can be installed [optional] - Multidrive [max. 8 power units] <p>Digital control unit</p> <ul style="list-style-type: none"> - Temperature adjustment range + (40–110) °C - Heater control - Steamer control, RH 20–95 % - Combined heater and steamer control - Control of lighting and fan <p>Digital control unit</p> <ul style="list-style-type: none"> - Cycle speed adjustment range 5–120 s - Brightness adjustment range 20–100 % - Multidrive [max. 8 power units] <p>Digital control unit</p> <ul style="list-style-type: none"> - Temperature adjustment range + (25–50) °C - Control of lighting - Multidrive [max. 8 power units] 	<ul style="list-style-type: none"> - Operating time adjustment range 1–12 h - Pre-setting time 0–12 h <ul style="list-style-type: none"> - Operating time adjustment range 1–12 h - Pre-setting time 0–12 h <ul style="list-style-type: none"> - Operating time adjustment range 1–12 h 	<p>Control panel</p>  <p>Power unit</p>  <p>Sensor</p> 
	<p>Fenix 400 V 3N - SACF10 wireless control unit for controlling power units:</p> <ul style="list-style-type: none"> • SACF150 power unit for controlling heater, max. 17 kW. • SACF165S power unit for controlling Combi heater or heater and separate steamer. Max. directly to the heater 11 kW, to a Combi heater with a contactor 17 kW. • SACF100 power unit for controlling colour light device. 	<ul style="list-style-type: none"> - User-prompting touch screen. - Features to control: <ul style="list-style-type: none"> - temperature - humidity - lights - colour lights - ventilation - week timer 	<ul style="list-style-type: none"> - Adjustable operating time - Adjustable pre-setting time 	<p>SACF10</p>  <p>Power unit, SACF150, SACF165S</p>  <p>Power unit, SACF100</p> 
	<p>C80/1 Separate sensor included 230 V 1N - max. 8 kW</p> <p>C90 Separate sensor included 400 V 3N - max. 9 kW</p> <p>C150 Separate sensor included 400 V 3N - max. 17 kW</p>	<p>Digital control unit</p> <ul style="list-style-type: none"> - Digital temperature display, max. +125 °C - Temperature adjustment range + (40–110) °C <p>Digital control unit</p> <ul style="list-style-type: none"> - Digital temperature display, max. +125 °C - Temperature adjustment range + (40–110) °C <p>Digital control unit</p> <ul style="list-style-type: none"> - Digital temperature display, max. +125 °C - Temperature adjustment range + (40–110) °C 	<ul style="list-style-type: none"> - Operating 4 h (alternatively 6 or 12 h) - Pre-setting time 0–12 h <ul style="list-style-type: none"> - Operating 4 h (alternatively 6 or 12 h) - Pre-setting time 0–12 h <ul style="list-style-type: none"> - Operating 4 h (alternatively 6 or 12 h) - Pre-setting time 0–12 h 	<p>C80/1, C90, C150, C150VKK, C260, C105S Logix</p>  <p>Sensor</p> 
	<p>C150VKK Separate sensor included 400 V 3N - max. 17 kW</p>	<p>Digital control unit</p> <ul style="list-style-type: none"> - Digital temperature display, max. +125 °C - Temperature adjustment range + (40–110) °C - Week timer and remote control function 	<ul style="list-style-type: none"> - Operating 12 h (alternatively 6 or 18 h) - In manual operation, the operating time is 0–12 h at half-hour intervals 	<p>Power unit (C260)</p> 
	<p>C260 Control unit, 2-group power unit and separate sensor included 400 V 3N - 16A, max. 22 kW 25A, max. 34 kW</p>	<p>Digital control unit, 2-group power unit</p> <ul style="list-style-type: none"> - Digital temperature display, max. +125 °C - Temperature adjustment range + (40–110) °C - Week timer and remote control function 	<ul style="list-style-type: none"> - Operating 12 h (alternatively 6 or 18 h) - In manual operation, the operating time is 0–12 h at half-hour intervals - Can be modified for 3-shift use 	<p>Power unit (C260)</p> 
	<p>KA3 (optional)</p>	<p>Cover with a lock for control units C150, C150VKK and C260</p>		
	<p>C105S Logix Control unit and two sensors 400 V 3N - max. 10,5 kW (K156S, max. 15,5 kW)</p>	<p>Digital control unit</p> <ul style="list-style-type: none"> - Digital temperature display, max. +125 °C - Temperature adjustment range + (40–110) °C - Heater control - Steamer control, RH 10–95% - Combined heater and steamer control 	<ul style="list-style-type: none"> - Operating 4 h (adjustable) - Pre-setting time 0–12 h 	
	<p>Control panel As standard in models D23EE–D36EE (2,3–3,6 kW) V45E–V80E (4,5–8 kW) FU60–FU90 (6–9 kW) PI70–PI90 (6,9–9 kW) Not available for other models.</p>	<p>Digital control panel</p> <ul style="list-style-type: none"> - Temperature adjustment range + (40–110) °C 	<ul style="list-style-type: none"> - Operating time adjustment range 2–8 h - Pre-setting time 0–18 h 	



Colour light



Futura colour light



Additional sauna products

Harvia also offers additional sauna products for your sauna. Whether your sauna is old or new, you can improve your sauna enjoyment using the products presented below, for example.

Harvia colour lights

Colours are proven to have a significant holistic effect on health and the mind. Harvia colour lights bring a finishing touch to your sauna interior and create the desired atmosphere.

Harvia colour light system consists of a colour light device and Griffin Colour Light control unit. The colour light device has four halogen lamps of different colours: yellow, red, blue and green. The product is very safe to use: the power applied to the lamp is only 50 W/12 VDC. With the colour light control unit you can choose the colour, adjust the brightness and the speed of the colour light alteration. There are two different colour light models available: Harvia colour light and Harvia Futura colour light.

Harvia loudspeakers

Sauna loudspeakers emphasise the sauna experience; pleasant music relaxes the mind. Connect the loudspeakers to your music system to listen to music in your sauna room at the desired volume.

Harvia sauna loudspeakers are completely waterproof and well-suited for humid rooms. Colour white, power 80 W, impedance 4 ohm, diameter 160 mm, flush mounting depth 50 mm and diameter 142 mm, enclosure rating IP65.

Harvia decorative stone wall

The Harvia decorative stone wall is an easy and economical way to create a stylish sauna. The Harvia decorative stone wall can be mounted behind the heater, for example. The decorative stone wall can easily be attached directly on the panelling.

The ceramic wall, made of high-quality imitation stone, can be installed in both new and old saunas. The lower part of the decorative stone wall is made of brushed steel which enables you to mount a wall-mounted heater stylishly. The aluminum rails make the decorative stone wall stand out. The decorative stone wall is an eye-catching detail.

The delivery includes mounting supplies and drill bits for mounting the stone wall and a wall-mounted heater. The decorative stone wall is available in two sizes: 534 x 1870 and 534 x 2040 mm, depth 15 mm.



534 x 1870 mm 534 x 2040 mm

Original Harvia sauna stones

Harvia sauna stones are selected according to old traditions and convey a genuine sauna atmosphere. Harvia sauna stones provide good and soft heat. Split-face sauna stones are the only correct stones for electric heaters and woodburning stoves, because they can store lots of heat and the water evaporates efficiently from the wide surface of fracture. Angular split-face stones also allow for loose placement of the stones, which is the most important requirement particularly in electric heaters in order to make it possible for the heat to be conveyed to the sauna room between the hot stones and heating elements. Good air circulation in the stone space makes the electric heating elements last for as long as possible. Light (ceramic), soft (soapstone), and smooth (rounded) sauna stones do not produce the desired results and they may cause problems in electric heaters in particular. Therefore, they must not be used.

Harvia sauna stones are available in two sizes. Stones in the range of 100 to 150 mm are suitable for the Legend electric heater, heat-storing heaters such the Symphony and Forte heaters and for all woodburning stoves. Smaller sauna stones in the range of 50 to 100 mm are suitable for all other electric heaters.

Important information on sauna stones!





Harvia infrared radiators

Infrared warmth has several positive health effects. For example, it relieves muscle tension and makes you feel good. You can easily build your own infrared cabin with Harvia equipment.

Harvia offers a maintenance-free infrared radiator concept. Select a Comfort or Basic infrared radiator as a source of pleasing heat. Comfort is equipped with a light, while Basic warms you up without light. Both models are easy to install and the flock-coated surface is comfortable and safe. The core of an infrared radiator is a tube-type heating element specially designed for Harvia infrared cabins.

An infrared cabin is ready for use almost immediately. Just switch it on from the digital Griffin Infra control panel, and you can enjoy the pleasant warmth within a few moments.

Harvia designs infrared cabin for chosen space and according to given measurements. Ask for an offer for a customised infrared cabin.

Technical data:

Infrared radiator

- Size 218 x 60 x 725 mm (w x d x h)
- Output: Comfort 435 W and Basic 400 W (without light)
- Wavelength range: ca. 4000–4500 nm

Griffin Infra CG170I control unit

- Temperature adjustment range 25–50 °C
- Operating time adjustment range: 1–12 h
- Control of lighting
- Max. load: 3,6 kW
- 230 V 1N~
- Multidrive (max. 8 power units)



60 years of Harvia sauna bathing.



Harvia Ltd. celebrates its 60th anniversary this year. The company founded in 1950 by Tapani Harvia (1920–1998) has expanded over the decades from a small artist's forge into one of the world's leading sauna heater manufacturers and a forerunner in the sauna business. Behind the success story stands a determined and skillful inventor who forged his business idea and expertise into the shape of a sauna stove.

Initially only a few woodburning sauna stoves were manufactured each year, but by the 1980s Harvia had become the world's leading manufacturer of sauna stoves. During the same decade Harvia started making electric heaters. The company began working in wood as well as metal when the sauna factory was established in 1997. Harvia has remained a Finnish family enterprise and the Harvia companies now employ 250 people. Products are exported globally.

Harvia can provide everything you need in your sauna. Besides sauna heaters, Harvia manufactures saunas, sauna interiors, bathroom saunas, infrared cabins, steam generators, and sauna accessories. The company is firmly focused on product development and the challenges of the future.



Harvia's first sauna stove.

Local dealer: