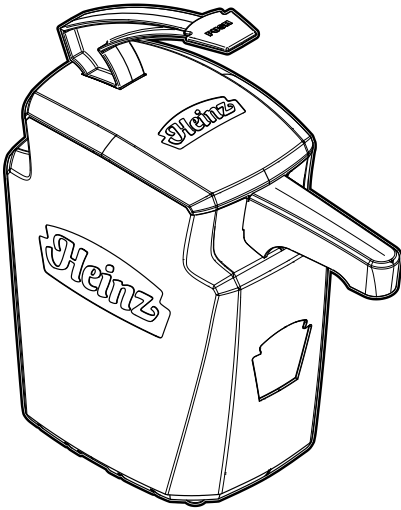


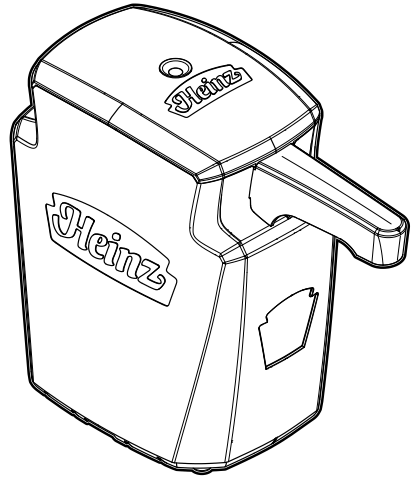
KraftHeinz

AWAY FROM HOME



Keystone Manual Dispenser (with Lever)

8570 Dispenser, Tomato Ketchup
8693 Dispenser, Ranch Dressing
8695 Dispenser, Deli Mustard
8694 Dispenser, Yellow Mustard
8696 Dispenser, Mayonnaise
8697 Dispenser, Sweet Relish
8699 Dispenser, Honey Mustard
8698 Dispenser, Barbecue Sauce
9053 Dispenser, Hot Sauce
9600 Dispenser, KraftHeinz Black



Keystone Automatic Dispenser (with Sensor)

10815, Automated Keystone
Lid Assembly

Heinz Keystone Dispenser

Model AF08

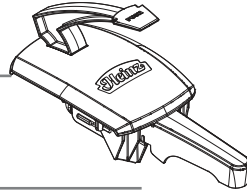
User Manual

ASEPT

Manufactured exclusively
for KraftHeinz by Asept Int.

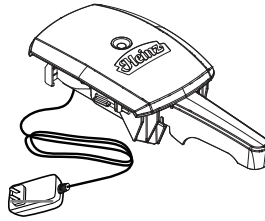
Heinz Keystone Dispenser

Lid Assembly
(Manual with Lever)
8669



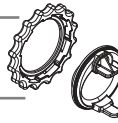
Lid Assembly
(Automatic with Sensor)
10815

Power
Supply
10818



Complete
Pump
8668

Locking Ring
9244



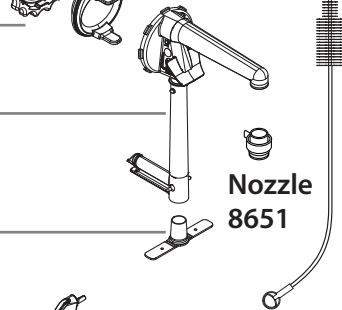
Dome
8555

Pump Housing
8561

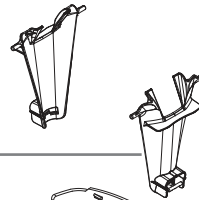
Inlet Valve
8720

Brush
7615

Nozzle
8651

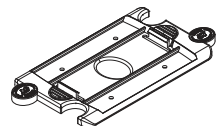
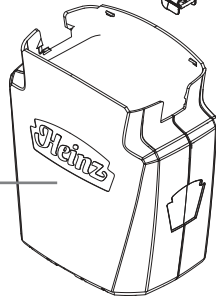


Pump Slider
8569



Dispenser
Housing

Foot Plate
8572



Safety

All components must be cleaned before first use.



According to food and safety regulations, most foods must be stored and/or served at certain temperatures or they could become hazardous. Check with local food and safety regulators for specific guidelines. Be aware of the product you are serving and the temperature the product is required to maintain.

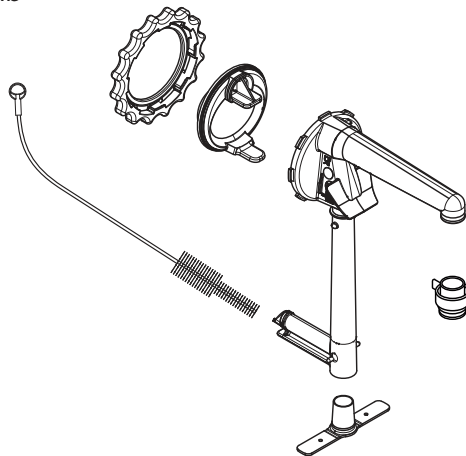
IMPORTANT Clean, rinse, sanitize, and dry parts at a minimum of every 24 hours. Always comply with local sanitization requirements.

Cleaning

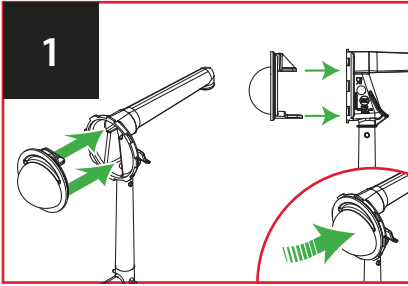
Disassemble all five (5) parts of pump.
Clean with soap and hot water, rinse, sanitize and dry parts according to local sanitization requirements.
Use supplied brush to scrub inside parts.



All components are dishwasher safe.

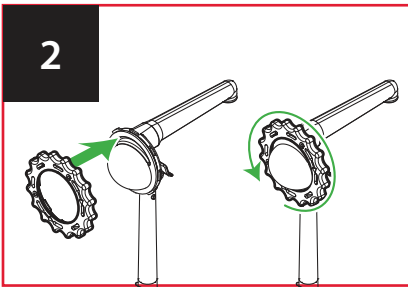


Assembly



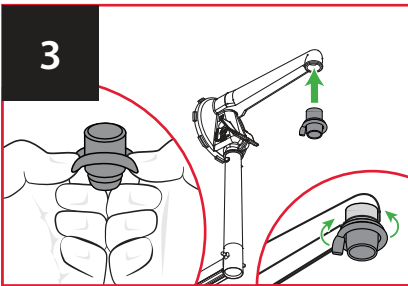
Insert dome

into the pump housing.
Ensure the smaller tab of dome is at top.
Press the entire dome firmly, including the top portion.



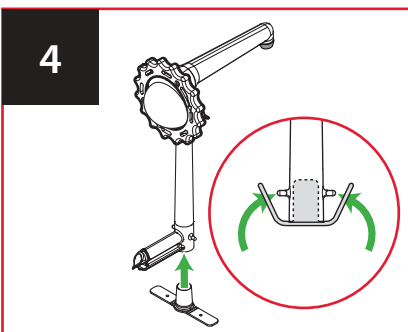
Fasten with locking ring

Turn locking ring clockwise around the parts until they engage.



Mount the nozzle

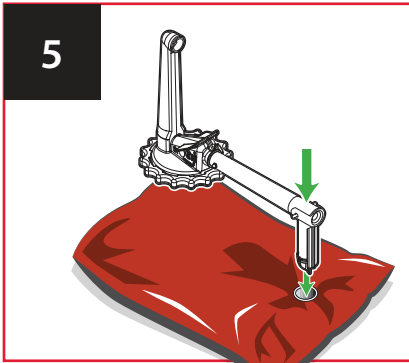
onto the end of the pump housing.
Bend the outer portion of the nozzle inside out.
Insert into opening. Tab of nozzle faces towards dome.
Flip the outer portion of the nozzle over the end of tube.



Insert valve inlet

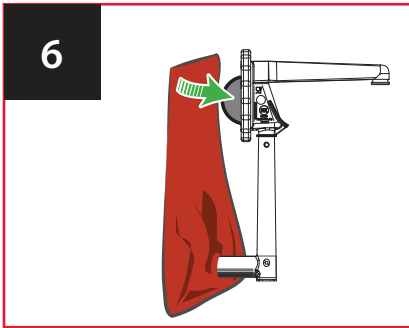
into the bottom of the pump housing.
Wrap the flaps on the side of valve onto the pair of pegs on the pump housing.

TIP: Lubricate parts with clean water to ease fitting.



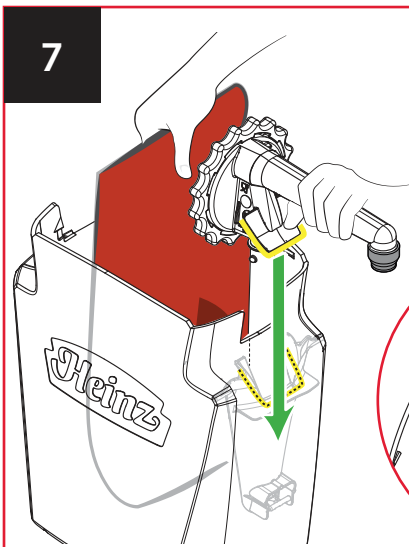
Connect pump to pouch

Put a new Heinz dispenser pack on countertop with fitment facing up. Place piercing end of complete pump in center of the fitment. Push firmly until pump snaps into place.



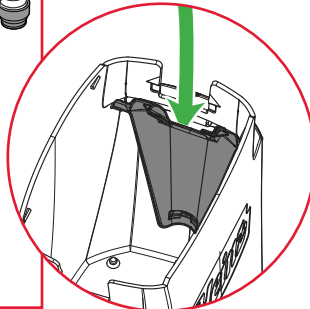
Prime the pump

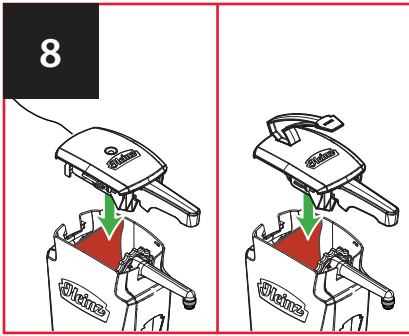
Hold the pump in an upright position. Press the dome with both thumbs and let it recover to starting state. Repeat until product has reached the nozzle.



Insert Heinz dispenser pack and pump into shroud.

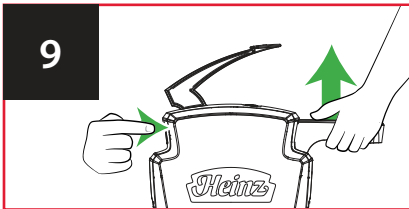
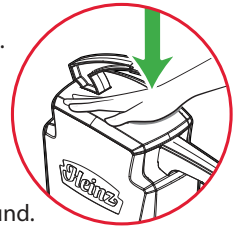
Hold end of pack up while lowering guide rails on the pump into the track on the pump slider inside the front of dispenser.





Connect lid

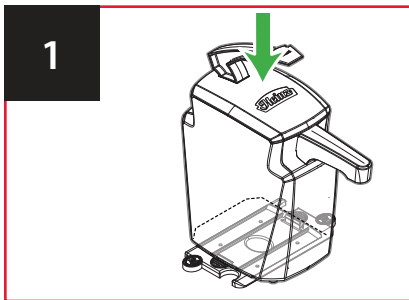
to dispenser shroud.
Lower lid onto dispenser. Push down evenly on both ends until you hear a snapping sound.



To remove lid

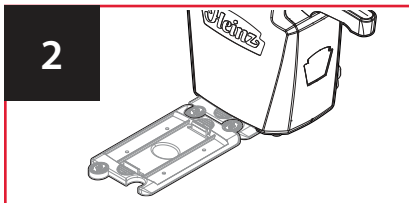
Push the tab on the back of the dispenser. Simultaneously grip nozzle covering firmly and pull the lid upward.

Linking Multiple Units



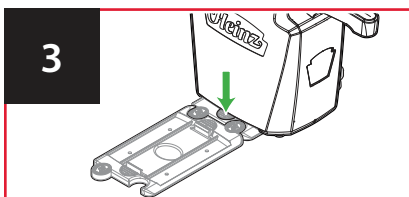
Connect foot plate

to dispenser by slightly tilting dispenser onto one of the foot plate hooks. Press down on the lid until you hear a snap.



Link another dispenser

Attach a new foot plate to previous foot plate then repeat Step 1.



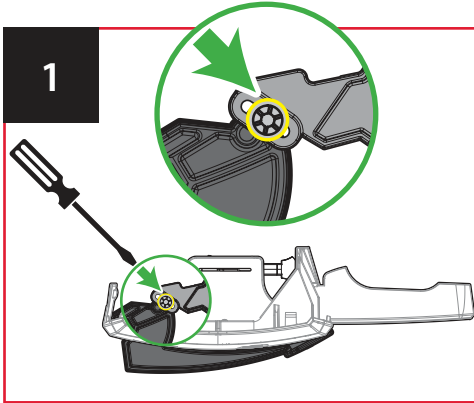
To disconnect a dispenser:

Push down on one of the release-buttons on the foot plate, then slightly tilt the dispenser in the opposite direction.

Setting the Portion

Automatic Keystone dispenser is set for 1/2 fl oz portions only.

Manual Keystone dispenser is preset for 3/4 fl oz portions. It may be adjusted to a 1/2 fl oz portion:

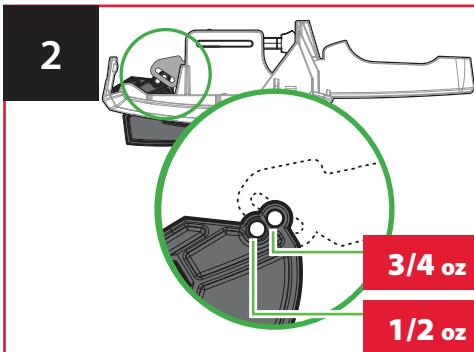


Remove locking washer

Use a flathead screwdriver to pry off the locking washer from the pin at the end of the link arms in the underside of the lid. Keep locking washer for step 2.

Remove pin

Slide the pin out from portion hole.



Select portion setting

There are two holes in the handle. Position the pin through the hole closest to the nose of lid for 3/4 fl oz portion. The other hole is for 1/2 fl oz portion.

Secure pin with locking washer.

Heinz Dispensing Solutions

1-855-57HEINZ (1-855-574-3469)
email at
heinzdispensers@knepperpress.com

Warranty

Heinz Keystone Dispenser is backed by a twelve month limited warranty against defects in materials and workmanship.

Manufactured exclusively for KraftHeinz by Asept Int.

ASEPT

Asept International Inc.
900 Oakmont Ln, Suite 207,
Westmont IL 60559, USA
+1 (630) 441-5656
info.us@asept.com

Asept International AB
Traktorvägen 17, SE-226 60
Lund, Sweden
+46 46 329 700 | info@asept.com
www.asept.com

FAQs *Frequently Asked Questions*



FOR ALL KEYSTONE DISPENSERS:

Pump dispenses little or no product? Check the pouch to make sure it is not empty. If it is full, check to make sure that the pump is assembled correctly per the instructions in the manual.

Product leaking from the fitment in the bag? Make sure that the white fitment in the bag is fully engaged with the pump. When connecting the pouch, you should hear a solid click and be able to pick up the pouch with the pump without the connector coming free.

Product leaking from the dome of the pump? Make sure that the locking ring is installed and tightened on the housing to hold the dome securely in place.

FOR THE KEYSTONE MANUAL DISPENSER WITH LEVER:

The dispense portion is smaller or larger than I want: Follow the steps on page 7 to change your preset portion. You have options for $\frac{3}{4}$ fl oz or $\frac{1}{2}$ fl oz.

FOR THE KEYSTONE AUTOMATIC DISPENSER WITH SENSOR:

Can I plug the Keystone Automatic Dispenser into a power strip? Yes, each dispenser only draws 2 amps when in use. You can safely plug 7 dispensers into a power strip on a single 15 amp plug and 10 dispensers into a 20 amp plug.

Can I change the portion on the Keystone Automatic Dispenser?

No, it is preset at $\frac{1}{2}$ fl oz at the factory.

Why doesn't the motor engage when I wave my hand over the sensor?

- 1) The sensor is designed to dispense when your hand is between 1" and 5" above the sensor. If it's too close or too far away, the sensor might not recognize your hand. Try moving your hand up and down on the sensor to see if it triggers.
- 2) Make sure that the power supply is plugged into a working outlet.
- 3) Make sure that the connector at the end of the power cord is plugged into the inlet on the underside of the lid.

Unable to place the lid on the dispenser?

The lid includes a safety switch that will freeze the actuator in position if the lid is removed in the middle of dispensing.

Reset the actuator:

- 1) Remove the pump and pouch from the dispenser base.
- 2) Install the lid on the empty base.
- 3) Wave your hand over the sensor.
- 4) After the actuator cycles completely, remove the lid and reinstall the pump and pouch into the dispenser base.
- 5) Reinstall the lid.

