



**MITSUBISHI  
ELECTRIC**

COOLING & HEATING

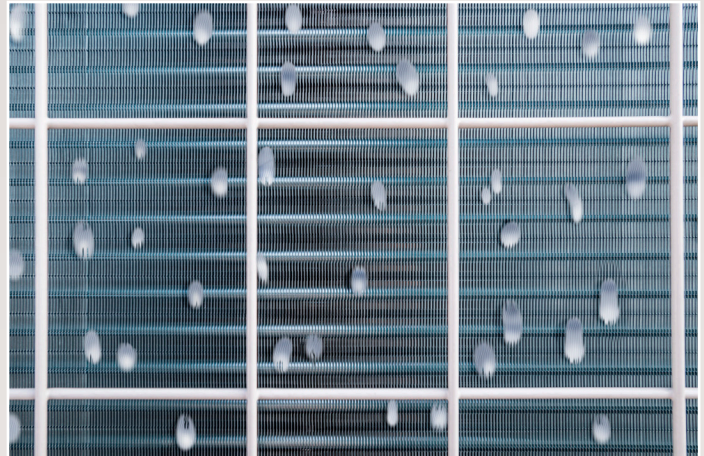


# HG SERIES HAIL GUARD PRODUCT GUIDE

# PROTECT YOUR HVAC SYSTEM FROM DAMAGING IMPACT

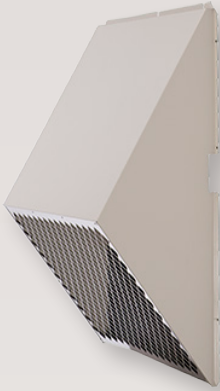
Damage from hail and other flying debris can be a common threat to HVAC systems. When the vulnerable fins of your coil have been struck, bending and compression of the coil matrix may occur, resulting in clogs that undermine the heat transfer functions of your HVAC unit. Since this damage can be cumulative, your performance efficiency may be diminished over time; you may not even be aware of the growing problem. In some cases, larger hailstones may impact the coil, causing immediate coil failure or producing leaks which allow refrigerant to escape, resulting in system failure. This will require replacement of the unit, an expensive alternative to protecting the unit. Hail guards are an optimal means of managing your risk, protecting your unit and keeping it running at maximum efficiency.

- ▶ Engineered using 20 gauge galvanized steel designed to protect from hailstones 1" diameter and larger
- ▶ HG hail guards can also function as snow guards, keeping heavy accumulation off the surface of the coils, which further protects from compromised performance



## HG SERIES CONSTRUCTION/FINISH

<b>Material</b>	Powder coated 20 gauge galvanized steel
<b>Powder Coat</b>	P1135-G6 Polyester TGIC Erie Powder Coating; 3 mil nominal (+/- 1 mil) uniform thickness over the entire part
<b>Color</b>	Matches Outdoor Unit
<b>Screen</b>	1 inch (25.4 mm) square hole pattern



**HG-A1**



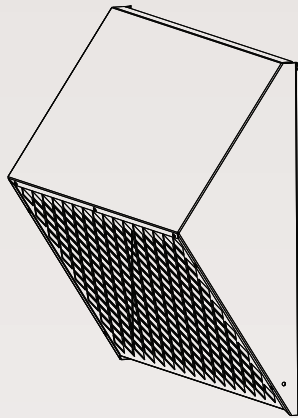
**HG-A2**



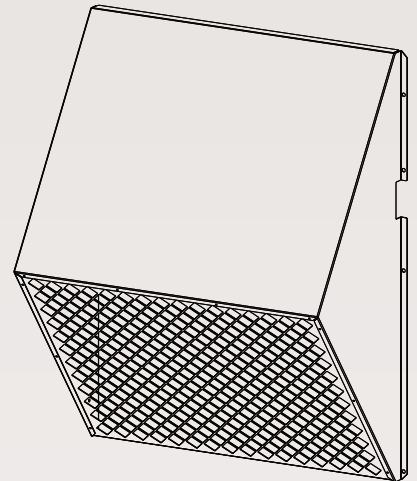
**HG-A3**



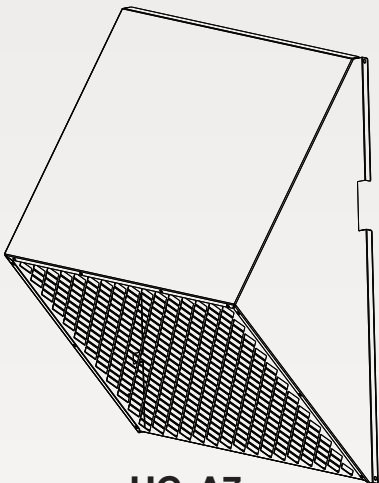
**HG-B4**  
HG-B4 mounted on outdoor unit



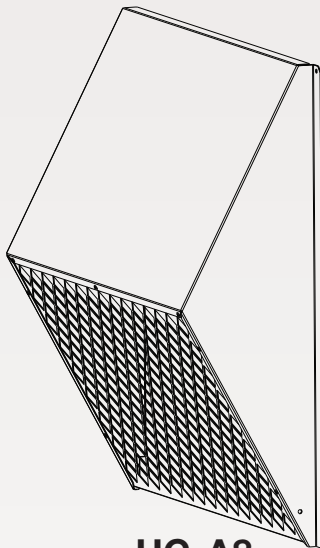
**HG-A5**



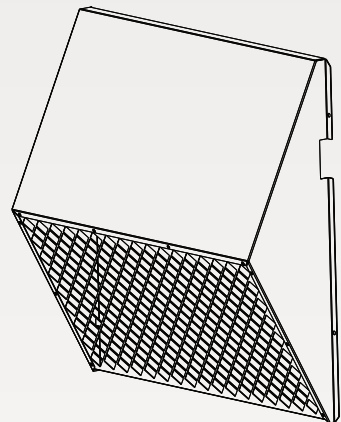
**HG-A6**



**HG-A7**



**HG-A8**



**HG-A9**

## Outdoor Unit — HG Hail Guard Selection Chart *(Continued)*

Hail Guard Kit Outdoor Unit	HG-A1	HG-A2	HG-A3	HG-B4*	HG-A5	HG-A6	HG-A7	HG-A8	HG-A9
PUMY-P60NKMU1		X							
PUY-A12NKA7 (-BS)					X				
PUY-A18NKA7 (-BS)					X				
PUY-A24NHA7 (-BS)						X			
PUY-A30NHA7 (-BS)						X			
PUY-A36NKA7 (-BS)		X							
PUY-A42NKA7 (-BS)		X							
PUZ-A12NKA7 (-BS)					X				
PUZ-A18NKA7 (-BS)					X				
PUZ-A24NHA7 (-BS)						X			
PUZ-A30NHA7 (-BS)						X			
PUZ-A36NKA7 (-BS)		X							
PUZ-A42NKA7 (-BS)		X							
PUZ-HA30NHA4			X						
PUZ-HA36NHA4			X						
PUZ-HA42NKA		X							
SUZ-KA09NA				X					
SUZ-KA12NA				X					
SUZ-KA15NA				X					
SUZ-KA18NA	These outdoor units are not physically adaptable for hail guards.								

\* B4 is replacing A4. Backwards compatible outdoor units are indicated by "B or A"

# HG Hail Guard Specifications

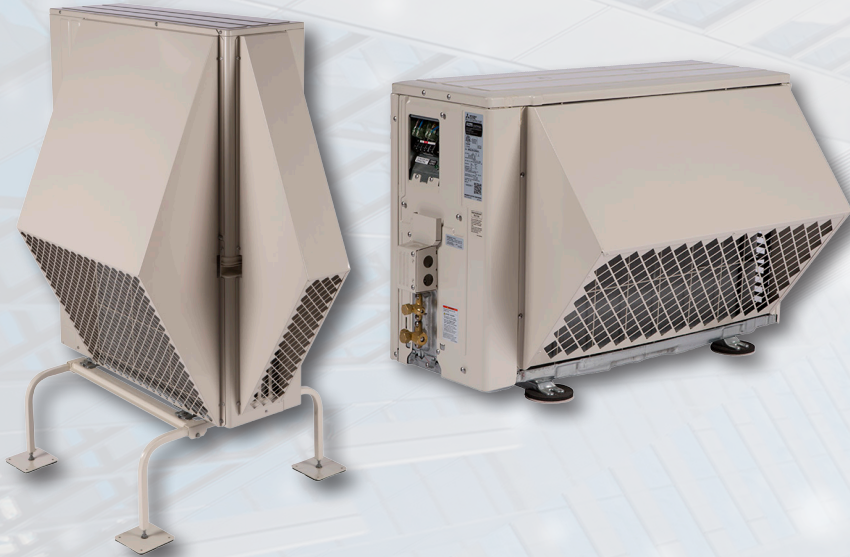
		HG-A1		HG-A2		HG-A3		HG-A6		HG-A9	
		REAR	SIDE	REAR	SIDE	REAR	SIDE				
Kit	kg	12.1		15.19		14.79		10.42		7.42	
	(lbs)	(26.68)		(33.48)		(32.61)		22.97		16.37	
Weight	kg	7.49	4.61	9.99	5.20	9.45	5.35	6.75	3.66	4.74	2.69
	(lbs)	(16.51)	(10.17)	(22.02)	(11.46)	(20.83)	(11.79)	(14.89)	(8.08)	(10.45)	(5.92)
Height	mm	965	947	1310	1251	1313	1296	868	868	700	700
	(in)	(37.99)	(37.28)	(51.57)	(49.25)	(51.69)	(51.02)	(34.17)	(34.17)	(27.56)	(27.56)
Width	mm	738	299	786	208	726	207	715	206	738	299
	(in)	(29.06)	(11.77)	(30.94)	(8.19)	(28.58)	(8.15)	(28.15)	(8.11)	(29.06)	(11.77)
Depth	mm	332	326	332	326	332	326	333	326	207	201
	(in)	(13.07)	(12.83)	(13.07)	(12.83)	(13.07)	(12.83)	(13.11)	(12.83)	(8.15)	(7.91)

		HG-A4/B4	HG-A5	HG-A7	HG-A8
		Weight	kg	3.23	3.68
	(lbs)	(7.12)	(8.11)	(14.09)	(8.64)
Height	mm	471	551	719	670
	(in)	(18.54)	(21.69)	(28.31)	(26.38)
Width	mm	701	705	821	662
	(in)	(27.6)	(27.76)	(32.32)	(26.06)
Depth	mm	201	201	332	201
	(in)	(7.91)	(7.91)	(13.07)	(7.91)



**In areas where hail and snow occur, it is important to consider using a QSMS MiniSplit Mounting Stand to position the outdoor unit above normal snow levels.**

\* B4 is replacing A4. Backwards compatible outdoor units are indicated by "B or A"



## PROTECT YOUR HVAC OUTDOOR UNIT

**HG SERIES HAIL GUARDS BUILT TO  
STAND UP TO THE ELEMENTS WITH  
MINIMAL EFFECT ON PERFORMANCE**



MAKE COMFORT *Personal*

Specifications are subject to change without notification.

Manufactured for Mitsubishi Electric US, Inc.

For more information, visit [www.mitsubishiro.com](http://www.mitsubishiro.com)

Mitsubishi Electric Cooling & Heating

1340 Satellite Boulevard • Suwanee, GA 30024, Phone: 800-433-4822

© 2017 Mitsubishi Electric US, Inc.

CITY MULTI® is a registered trademark of Mitsubishi Electric.

Mitsubishi Electric is a registered trademark of Mitsubishi Electric Corporation.  
The three-diamond logo is a registered logo of Mitsubishi Electric Corporation.

