

## **LKM7000 Lock Series**

### **Single Motion Egress RIM DEVICES**

High Security Combination Lock & Access Control Compatible.



#### **COMPLIANT**

**FF-L-2890**

**ADA/UFSA**

**UL Fire Rated**

(\*90 minute rating when used with Kaba Mas X-10)

**DoD Approved**

# LKM7000 Lock Series

This revolutionary locking device provides both high security and life safety. The single motion egress feature of the LKM7000 Lock Series when integrated with a high security (FF-L-2740B) lock creates a FF-L-2890 compliant pedestrian door lock. The Series offers many lock device options from exit only to tiered levels of security.

## SECURITY FEATURES

**Dead Bolt** - The FF-L-2890 specification requires a locking mechanism to use a dead bolt with a trip device that operates when the combination lock is in the locked position. The dead bolt automatically extends into the locked position as soon as it engages the strike.

**Encapsulated Strike** - The LKM7000 Lock Series comes with a strike that surrounds the dead bolt for reinforced security.

**High Security Combination Lock Compatibility** - The LKM7000 Lock Series is designed to work with any standard footprint combination lock (meeting FF-L-2740B), such as the Kaba Mas X-10 and the Sargent & Greenleaf 2740B. No modification to the dead bolt is required.

**Access Control Device Compatibility** - The LKM7000 Lock Series is compatible with a variety of electronic access control devices (12v or 24v DC - .5 amps). The series can be installed on doors with or without an EPT. The lock requires an EPT or electric hinge when used with access control.

**Tiered Levels of Security** - When both a combination lock and access control device are installed with a LKM7000 Lock a series of security levels are created.

- First Tier    Combination Lock
- Second Tier    Access Control Device

**Example of Day Locking** - the supervisor “unlocks/opens” the combination lock to allow staff to enter throughout the day by utilizing the access control device. The LKM7000 Lock Series’ internal solenoid provides this managerial control. However, once the combination lock is “locked/closed” the access control device is negated.

**Bolt Monitoring & Request To Exit (REX)** - Standard in all LKM7000 Locks, but use is optional. When connected you have the ability to monitor the bolt position on both the LKM7000 Lock Series and combination lock. REX can be used to monitor bolt position or shunt the door alarm.

## SAFETY FEATURES

**Single Motion Egress** - One simple push or pull of the ADA and UFSA compliant handle allows exit. No need for both hands to guarantee a safe exit. Federal Specification FF-L-2890 requires a “quick, safe exit in the case of an emergency”.



**Key Override Module** - Standard on the LKM7003 and 7006 Lock. This module “overrides” the access control device with the turn of a key, but not the combination lock. This feature is particularly important during the event of a power outage, failure or malfunction of an access control device, or an emergency that requires expedited entry.

**UL Fire Rating** - The LKM7000 Lock Series has received 90 Minute UL Listing (USA and Canada) when installed with a Kaba Mas X-10 combination lock. This rating is in accordance with the Standard, “Positive Pressure Fire Test of Door Assemblies”, ANSI/UL 10C, UBC 7-2 (1997). Please note: this 90 minute rating does not apply when installed with a Sargent & Greenleaf 2740B.

## ADDITIONAL FEATURE



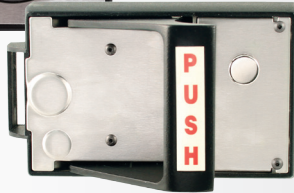
**Lock Down Feature** - Ideal for controlling the flow of traffic through one door in areas with only one level of security and multiple entrances. Entrance is denied with a turn of a key without impeding exit. The Lock Down Feature is comprised of a key cylinder installed into the Inside Base Plate.

Standard on LKM7004 & 7006, but special order on the remaining locks in the series.



## **LKM7000** RIM DEVICE COMPATIBLE with COMBINATION LOCK & ACCESS CONTROL

The LKM7000 was designed to provide tiered levels of security, while always providing single motion egress. This device is compatible with any high security combination lock meeting FF-L-2740B, as well as a variety of access control devices. The LKM7000 Lock Series' life safety and security features meets FF-L-2890. The combination lock represents the first level of security. The access control device represents the second level of security.

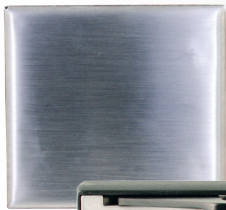


### **TYPICAL APPLICATIONS**

- SCIF** - Sensitive Compartmented Information Facility
- Communication Rooms**
- Weapons Rooms**
- Strong Rooms**
- Laboratories**
- SAP** - Special Application Project

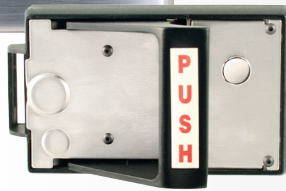


\*90 minute rating when used with Kaba Mas X-10, but doesn't apply if used with a S&G 2740B.



## **LKM7002** RIM DEVICE EXIT ONLY

The LKM7002 was designed with no exterior trim to control the flow of traffic into rooms with multiple entrances, while always providing single motion egress.

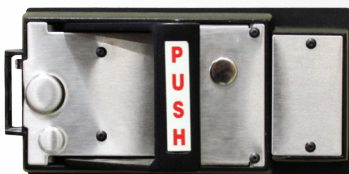


## **LKM7003** RIM DEVICE COMPATIBLE with COMBINATION LOCK & ACCESS CONTROL with KEY OVERRIDE

The LKM7003 was designed to provide tiered levels of security, while always providing single motion egress. This device is compatible with any high security combination lock meeting FF-L-2740B, as well as a variety of access control devices. The LKM7000 Lock Series' life safety and security features meets FF-L-2890. The combination lock represents the first level of security. The access control device represents the second level of security. The Key Override Module negates the access control device in the event of a power failure or malfunction.

### **Key Override Module**

The LKM7003 is equipped with a Key Override Module, which allows entry without using an existing, integrated access control device. However, it does not override the combination lock. This feature is particularly important in the event of a power outage, failure or malfunction of an access control device and other emergency situations when entry is a top priority.





**High Security - Life Safety**

## **LKM7004** RIM DEVICE ACCESS CONTROL ONLY

The LKM7004 is a dead bolt locking device designed for use with an access control system to control the flow of traffic into rooms without impeding egress. However, it can be mechanically disabled with the turn of a key. Egress will not be impeded, but the LKM7004 (Lock Down Feature) will prohibit entrance. Therefore, access control does not work when the Lock Down Feature is active.



## **LKM7006** RIM DEVICE ACCESS CONTROL ONLY with KEY OVERRIDE

The LKM7006 is a dead bolt locking device designed for use with an access control system to control the flow of traffic into rooms without impeding egress. However, it can be mechanically disabled with the turn of a key. Egress will not be impeded, but the LKM7006 (Lock Down Feature) will prohibit entrance. Therefore, access control or Key Override does not work when the Lock Down Feature is active.

### **Key Override Module**

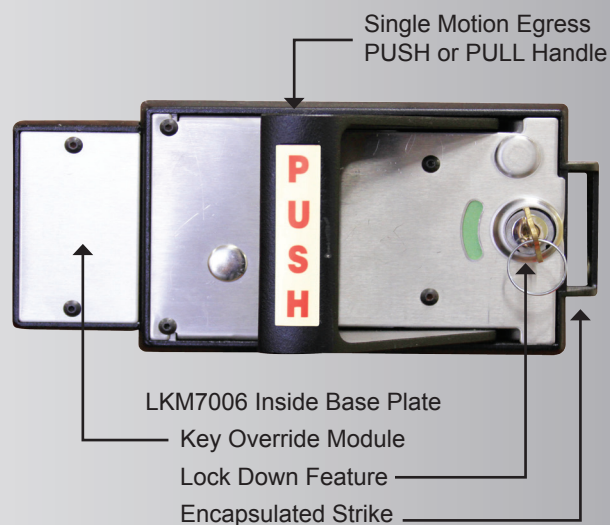
The LKM7006 is equipped with a Key Override Module, which allows entry without using an existing, integrated access control device. This feature is particularly important in the event of a power outage, failure or malfunction of an access control device and other emergency situations when entry is a top priority. However, it will not work when the Lock Down Feature is activated.



# LKM7000 Lock Series

## STANDARD FEATURES

	EXIT ONLY	COMBINATION LOCK	ACCESS CONTROL	KEY OVER RIDE FEATURE	LOCK DOWN FEATURE
LKM7000		●	●		
LKM7002	●				
LKM7003		●	●	●	
LKM7004			●		●
LKM7006			●	●	●



**Key Override Module** - Standard on the LKM7003 and 7006 Lock. This module “overrides” the access control device with the turn of a key, but not the combination lock. This feature is particularly important during the event of a power outage, failure or malfunction of an access control device, or an emergency that requires expedited entry.

\*The key cylinder is not included with the LKM7000 Lock Series. We recommend using an interchangeable core.

**Lock Down Feature** - Ideal for controlling the flow of traffic through one door in areas with only one level of security and multiple entrances. Entrance is denied with a turn of a key without impeding exit. The Lock Down Feature is comprised of a key cylinder installed into the Inside Base Plate. Standard on the LKM7004 & 7006, but available as a special order on other locks in the series.

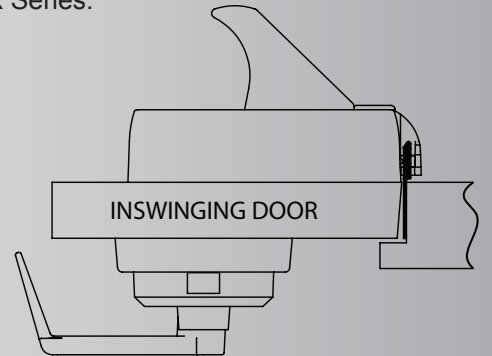
# STRIKES Adjustable Stainless Steel Strikes Exclusive To Lockmasters

The following four strikes are three times stronger than the traditional bronze strikes and provide the LKM 7000 Series of Locks a UL fire rating of 90 minutes when used in conjunction with a Kaba Mas X-10 lock. Our strikes' features allow adjustments to be made to the strike due to improper mounting and/or wear on the hinges (door sag) over time. Compatible with the LKM7000 Lock Series, Kaba Mas CDX-10 and the Sargent & Greenleaf 8470 Lock Series.



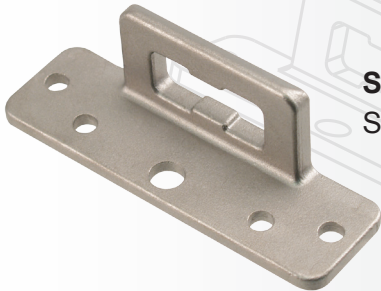
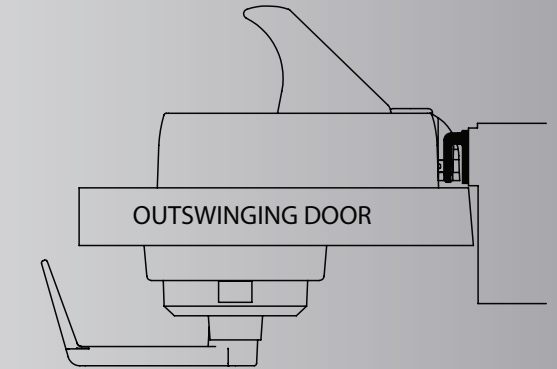
## STRIKE #1 Flush Inswing Door Single or Double Door Regular Bevel

- Increased mounting hole tolerances
- Widened bolt opening
- Added adjustment tabs to bolt opening
- Shims included



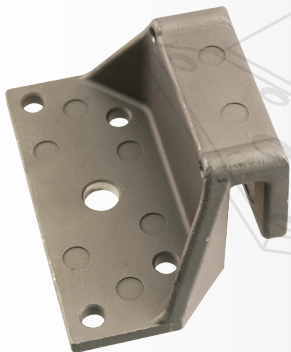
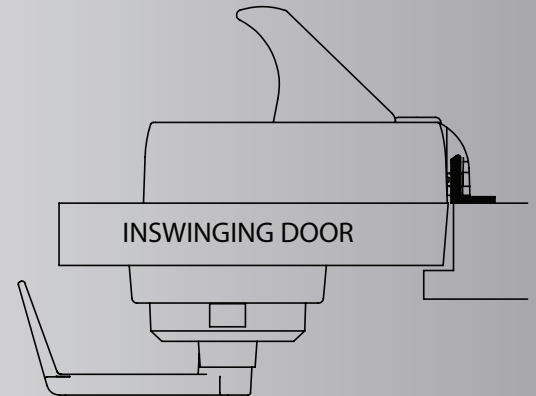
## STRIKE #2 Outswing Door Single Door Reverse Bevel

- Increased mounting hole tolerances
- Oversized center mounting hole
- Adjustment tabs in bolt opening
- Oversized opening for lock bolt
- Stakes in hardened dowel pins from bottom to deter a saw attack
- Shims included



## STRIKE #3 Inswing Door - Surface Mount Single or Double Door Regular Bevel

- Adjustment tabs in bolt opening
- Oversized opening for lock bolt
- Oversized center mounting hole
- Repositioned mounting holes
- Shims included



## STRIKE #9 Inactive Door Double Door Reverse Bevel

- Increased mounting hole tolerance
- Oversized center mounting hole
- Adjustment tabs in bolt opening
- Staked in hardened dowel pins from bottom to deter a saw attack
- Shims included

