

HLS House Lighting System

SURFACE MOUNT, 4-CIRCUIT

REMOTE POWER SUPPLY



APPLICATION

The House Lighting System (HLS) is designed to illuminate spaces requiring several lighting scenarios, such as theater or auditorium venues. Based on the Tempo CLiP® (Configurable Lighting Platform), luminaires may be configured with multiple 6"-12" lighting modules, each with different light distributions and/or intensity. Modules may be controlled with separate circuits and dimming controls to further tailor scenes. A typical cinema application would include luminaires configured with High Lumen modules for theater cleaning and High Uniformity dimming modules for house lighting, trailer and movie screening.

The HLS is available in two different platforms, one designed for continuous surface or suspension mounting and the other for recessed mounting in a T-Bar ceiling grid (see separate spec sheet). HLS Surface Mount is available in 2 circuit configurations for small to medium auditoriums (see separate spec sheet) and 4 circuit for large auditoriums. The low voltage, remotely powered system centralizes control and servicing.

CONSTRUCTION

- Extruded aluminum channel
- Thermally optimized die-cast aluminum light module housings
- Plug and play connectors for simplified installation
- CSA damp location listed

OPTICS / LENS / DIFFUSER

- High Lumen Cleaning Light modules (A&C) consist of a 12" module. A lightly frosted dome lens, coupled with wide beam optics direct a LED array.
- High Uniformity House Light modules (B&D) consist of a pair of 6" modules or a single 6" module with a dome lens and high diffusion film over a high density array of LEDs.

POWER SYSTEM

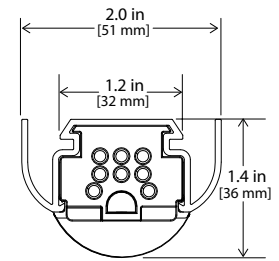
- Utilizes remote, low voltage DC power supply, 120V input
- A 4-circuit configuration allows longer runs, providing circuit 3 and 4 through-wire in the first sections of a run. High lumen (A and C) cleaning lights are designated circuit 1 and 3 and High Uniformity House Lights (B and D) are designated circuits 2 and 4.

PERFORMANCE

- Light output varies by configuration, see performance summary
- Lumen maintenance is greater than 85% at 86,000 hours for all product configurations (L85 at 86,000 hours)

LIGHT CHARACTERISTICS

- Available in 2200K, 2700K, 3000K, 3500K, 4000K correlated color temperature. A different color temperature may be selected for High Lumen Cleaning Light modules (A&C) and High Uniformity House Light modules (B&D).
- Typical CRI of 80+
- LED's are selected and placed on the printed circuit boards via Tempo Industries' UniBin® process which ensures consistent hue and color within the entire installation. Color variations are held to a minimum, within a 2-step MacAdam ellipse.



WARRANTY

Tempo provides a 5-year limited warranty. A 10-year limited warranty will apply when installed by a Tempo Certified Installer.



PERFORMANCE SUMMARY All data nominal

Module Configuration		Watts/Module	Delivered Lumens
A1 Circuit A or C1 Circuit C	Cleaning Light , 12" module, wide beam optics, LED array (3500K test data shown)	12 W	700 lm
B3 Circuit B or D3 Circuit D	House Light , 6" pair (12" total), high uniformity dome lens, dense LED array (2700K test data shown)	10 W	720 lm
B4 Circuit B or D4 Circuit D	House Light , 6" single module, high uniformity dome lens, dense LED array (2700K test data shown)	5 W	360 lm

HLS House Lighting System

SURFACE MOUNT, 4-CIRCUIT

REMOTE POWER SUPPLY

ORDERING INFORMATION

Example: **Example: HLS4-S-6-A135-B330-A135-BK**

HLS 4 -Circuit Surface, 6 ft, A135 [High Lumen Cleaning Light, 12" module, 3500K], B330 [High Uniformity House Light, 6" pair (12" total), 3000K], A135 [High Lumen Cleaning Light, 12" module, 3500K], Black

HLS				LIGHT MODULE CONFIGURATION ⁴		
Series	Circuits	Mounting	Fixture Length	Light Module Lens/LED Array	Color Temp	Finish
HLS	4 4-Circuit	S Surface Mount T-Bar	6 6ft	A1 Circuit A - Cleaning Light, 12" module, wide beam optics, standard LED array B3 Circuit B Option - House Light, 6" pair (12" total), high uniformity dome lens, dense LED array B4 Circuit B Option - House Light, 6" single module, high uniformity dome lens, dense LED array C1¹ Circuit C - Cleaning Light, 12" module, wide beam optics D3¹ Circuit D Option - House Light, 6" pair (12" total), high uniformity dome lens, dense LED array D4¹ Circuit D Option - House Light, 6" single module, high uniformity dome lens, dense LED array	22 2200K 27 2700K 30 3000K 35 3500K 40 4000K	WH White BK Black

NOTES:

(1) Only available with HLS4, 4-circuit.

SYSTEM INTEGRATION ACCESSORIES

POWER ENCLOSURE Power Supplies (maximum of 5) in 48"x4"x4" Enclosure		
	PWR-ENC-24/X-36T/Y-48	X = Quantity of 100W (24V, 120V input) Non-Dimming Power Supplies for Cleaning Light modules (A&C) Y = Quantity of 40W (36V, 120V input) Triac Dimming Power Supplies for House Light modules (B&D) Lutron Hi-Lume 1% 2-wire LED driver (120V forward phase) - LTEA2W
WIREWAY		
	HLS4-S-6-BK	HLS Surface Wireway, 4-Circuit, pre-wired, includes plug and play connectors, 6ft.
MOUNTING HARDWARE		
	HLS-S-MTGCLIP	HLS Surface Mount T-Bar Clips (QTY 12). Minimum of 2 clips required for every 6ft section (luminaire or wireway).
	HLS-S-MTGCLIP-EDGE	HLS Surface Mount T-Bar Edge Clips (QTY 12).
	HLS-S-MTGCLIP-SEISMIC	HLS Surface Mount T-Bar Clips (QTY 12) with Seismic Bracing Hanger.
	HLS4-S-PB-BK	HLS Surface Power Box, 4-Circuit, pre-wired with plug and play connector, includes cover plate, black finish
	HLS-S-JBOX	HLS Surface J-Box for mounting on continuous t-grid spine Standard 2-gang j-box (by others) may be used when the power box is located within a tile
	HLS4-S-HUB	HLS Surface Power Hub, 4-Circuit, 4 connectors (2 Male, 2 female), includes cover plate, black finish
POWER FEED CABLE		
	HLS4-CABLE	Plenum rated cable, 16 gauge, 8 wires- 2 Blue / 2 Red / 2 Gray / 2 Purple, 200ft per reel
	HLS4-S-PFC4-F24/36-180	Power Feed Cable with connector for HLS-S Surface 4-Circuit (used in lieu of HLS-S-PB Power Box), 15ft
	HLS4-S-PFC4-F24/36-360	Power Feed Cable with connector for HLS-S Surface 4-Circuit (used in lieu of HLS-S-PB Power Box), 30ft
SURGE SUPPRESSION DEVICE A Tempo furnished surge suppression device must be installed on each supplying branch circuit to comply with Tempo's warranty terms		
	SSD-120	120V Branch Circuit
	SSD-277	277V Branch Circuit
POWER INVERTERS Tempo's power inverters supply battery power backup to designated emergency lighting power supplies.		
	PWR-INV-125-120	Power Inverter, 125W, 120V Input/Output
	PWR-INV-250-120	Power Inverter, 250W, 120V Input/Output
	PWR-INV-375-120277	Power Inverter, 375W, 120V/120V or 277V/277V Input/Output

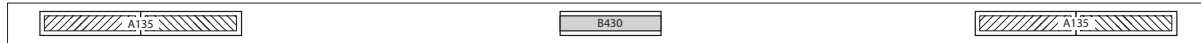
HLS House Lighting System

SURFACE MOUNT, 4-CIRCUIT

REMOTE POWER SUPPLY

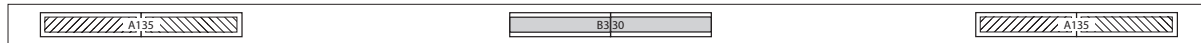
DIMENSIONAL INFORMATION - SURFACE MOUNTED

SAMPLE CONFIGURATIONS



HLS4-S-6-A135-B430-A135-BK

HLS Surface Mount, 4-Circuit, 6ft, A135 [High Lumen **Cleaning Light**, 12", 3500K], B430 [High Uniformity **House Light**, 6" single, 3000K], A135 [High Lumen **Cleaning Light**, 12", 3500K] Black



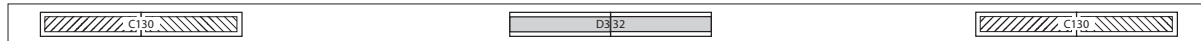
HLS4-S-6-A135-B330-A135-BK

HLS Surface Mount, 4-Circuit, 6ft, A135 [High Lumen **Cleaning Light**, 12", 3500K], B330 [High Uniformity **House Light**, 12", 3000K], A135 [High Lumen **Cleaning Light**, 6" pair (12" total), 3500K], Black



HLS4-S-6-BK

HLS Surface Mount, 4-Circuit, 6ft Wireway



HLS4-S-6-C130-D322-C130-BK

HLS Surface Mount, 4-Circuit, 6ft, C130 [High Lumen **Cleaning Light**, 12", 3000K], D322 [High Uniformity **House Light**, 6" pair (12" total), 2200K], C130 [High Lumen **Cleaning Light**, 12", 3000K], Black

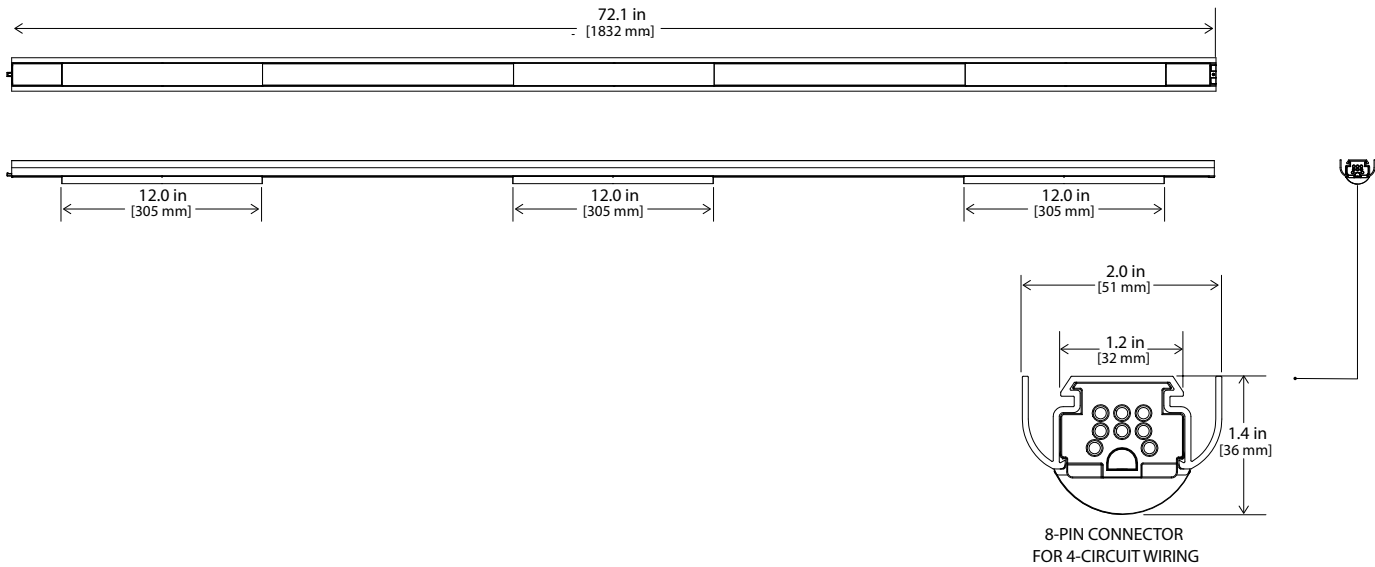
HLS House Lighting System

SURFACE MOUNT, 4-CIRCUIT

REMOTE POWER SUPPLY

DIMENSIONAL INFORMATION - SURFACE MOUNTED

4-CIRCUIT SYSTEM

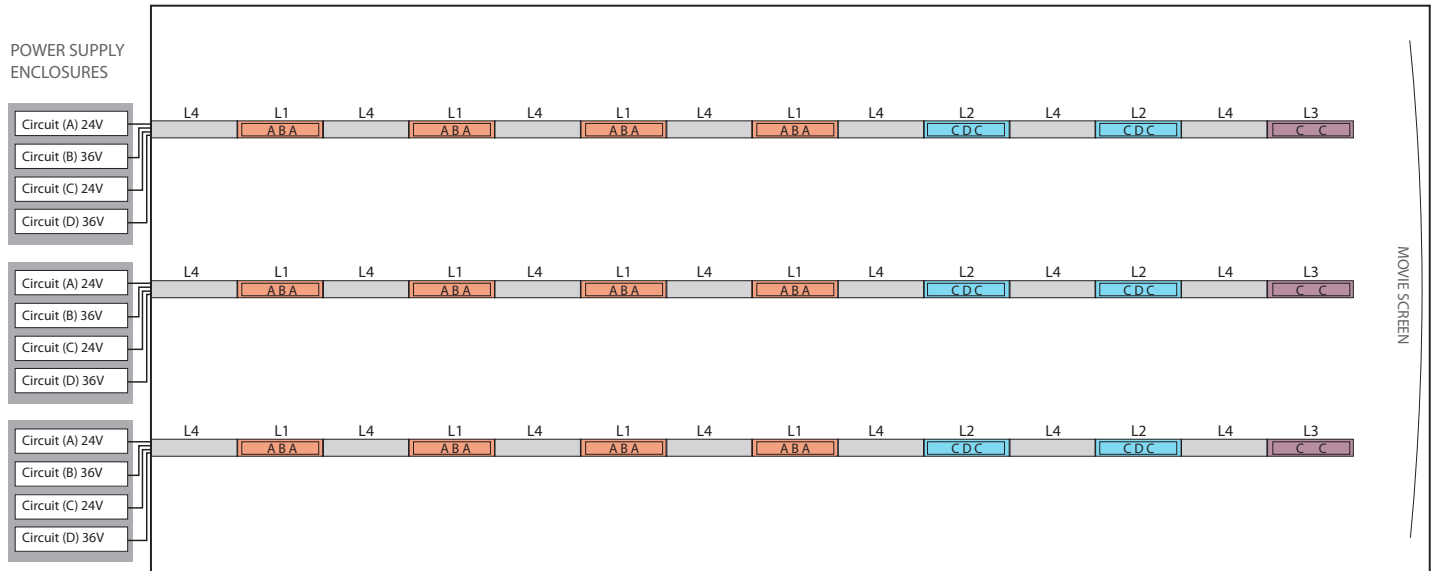


HLS House Lighting System

SURFACE MOUNT, 4-CIRCUIT

REMOTE POWER SUPPLY

SAMPLE: 4 CIRCUIT LAYOUT



SAMPLE BILL OF MATERIALS

QTY	FIXTURE TYPE	PART NO.	DESCRIPTION
(12)	L1	HLS4-S-6-A135-B327-A135-BK	HLS Surface, 4-Circuit, A135 [Circuit A, 12" Cleaning Light, 3500K], B327 [Circuit B, 12" House Light, 2700K], A135 [Circuit A, 12" Cleaning Light, 3500K], 6ft, Black Finish
(6)	L2	HLS4-S-6-C135-D327-C135-BK	HLS Surface, 4-Circuit, C135 [Circuit C, 12" Cleaning Light, 3500K], D327 [Circuit D, 12" House Light, 2700K], C135 [Circuit C, 12" Cleaning Light, 3500K], 6ft, Black Finish
(3)	L3	HLS4-S-6-C135-C135-BK	HLS Surface, 4-Circuit, C135 [Circuit C, 12" Cleaning Light, 3500K], C135 [Circuit C, 12" Cleaning Light, 3500K], 6ft, Black Finish
(21)	L4	HLS4-S-6-BK	HLS Surface, 4-Circuit Wireway, pre-wired with plug and play connectors, 6ft, Black Finish
(3)	-	PWR-ENC-24/2-36T/2	Power Supply Enclosure, (2) 100W, 24V, Non-dimming Power Supplies, (2) 40W, 36V, Dimming Power Supplies, pre-wired, 4"x4"x48"
(3)	-	HLS4-S-PFC4-F24/36-180	Power Feed Cable with connector, 15ft
(4)	-	HLS-S-MTGCLIP-SEISMIC	T-Bar surface mounting clips with seismic bracing hanger (Qty 12)
(1)	-	HLS-S-MTGCLIP-EDGE	T-Bar surface mounting clips for wall/ceiling edge (Qty 12)
(1)	-	SSD-120	Surge Suppression Device, 120V Branch Circuit

HLS House Lighting System

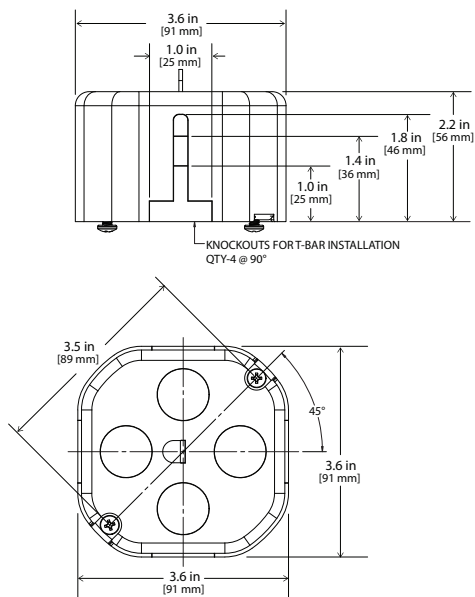
SURFACE MOUNT, 4-CIRCUIT

REMOTE POWER SUPPLY

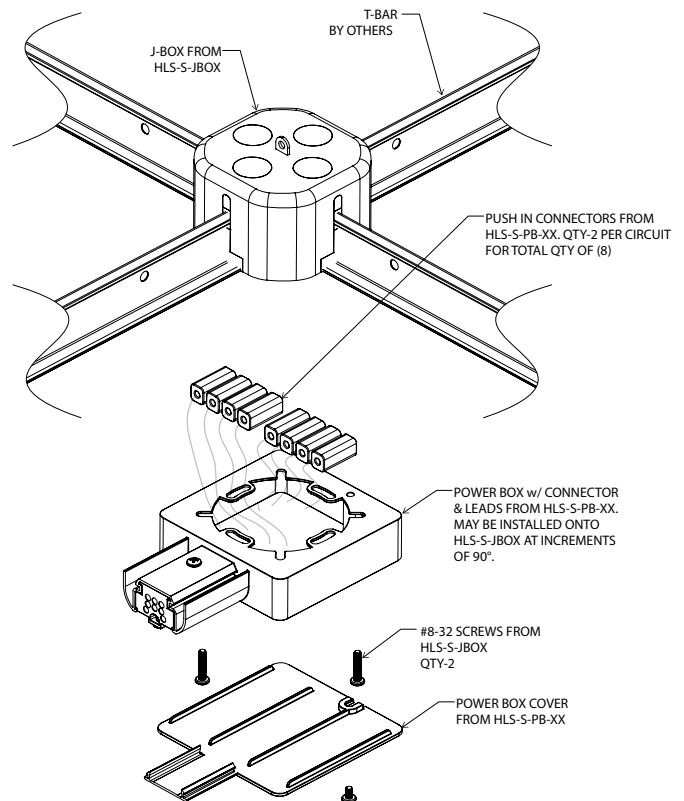
DIMENSIONAL INFORMATION - MOUNTING HARDWARE

4-CIRCUIT SYSTEM

HLS-S-JBOX



HLS4-S-PB & HLS-S-JBOX ASSEMBLY



HLS House Lighting System

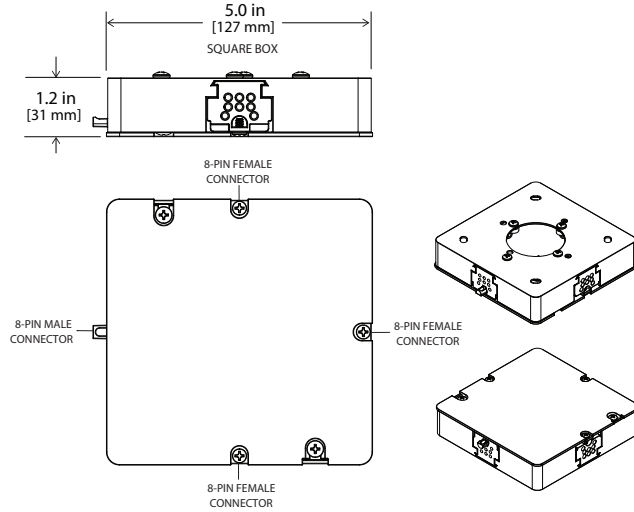
SURFACE MOUNT, 4-CIRCUIT

REMOTE POWER SUPPLY

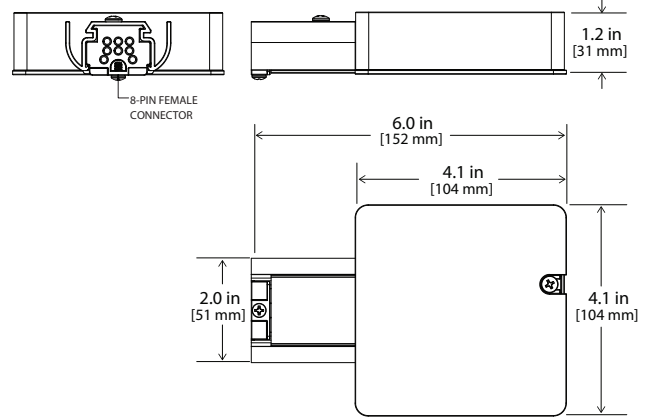
DIMENSIONAL INFORMATION - MOUNTING HARDWARE

4-CIRCUIT SYSTEM

HLS4-S-HUB

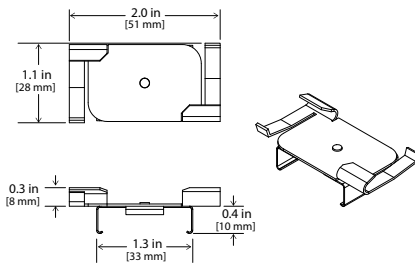


HLS4-S-PB

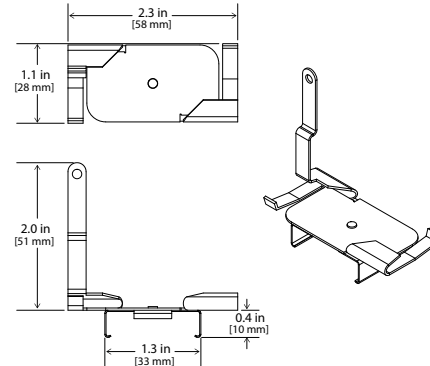


MOUNTING HARDWARE

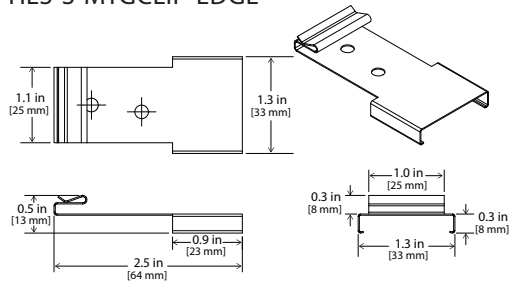
HLS-S-MTGCLIP



HLS-S-MTGCLIP-SEISMIC



HLS-S-MTGCLIP-EDGE



Tempo products and technologies are protected under one or more US and International patents.

Tempo reserves the right to change materials or modify the design of its product without notification as part of the company's continuing product improvement program. Please consult www.tempolc.com for the most up-to-date specifications and technical data.