



CATALOG OF REPLACEMENT PARTS



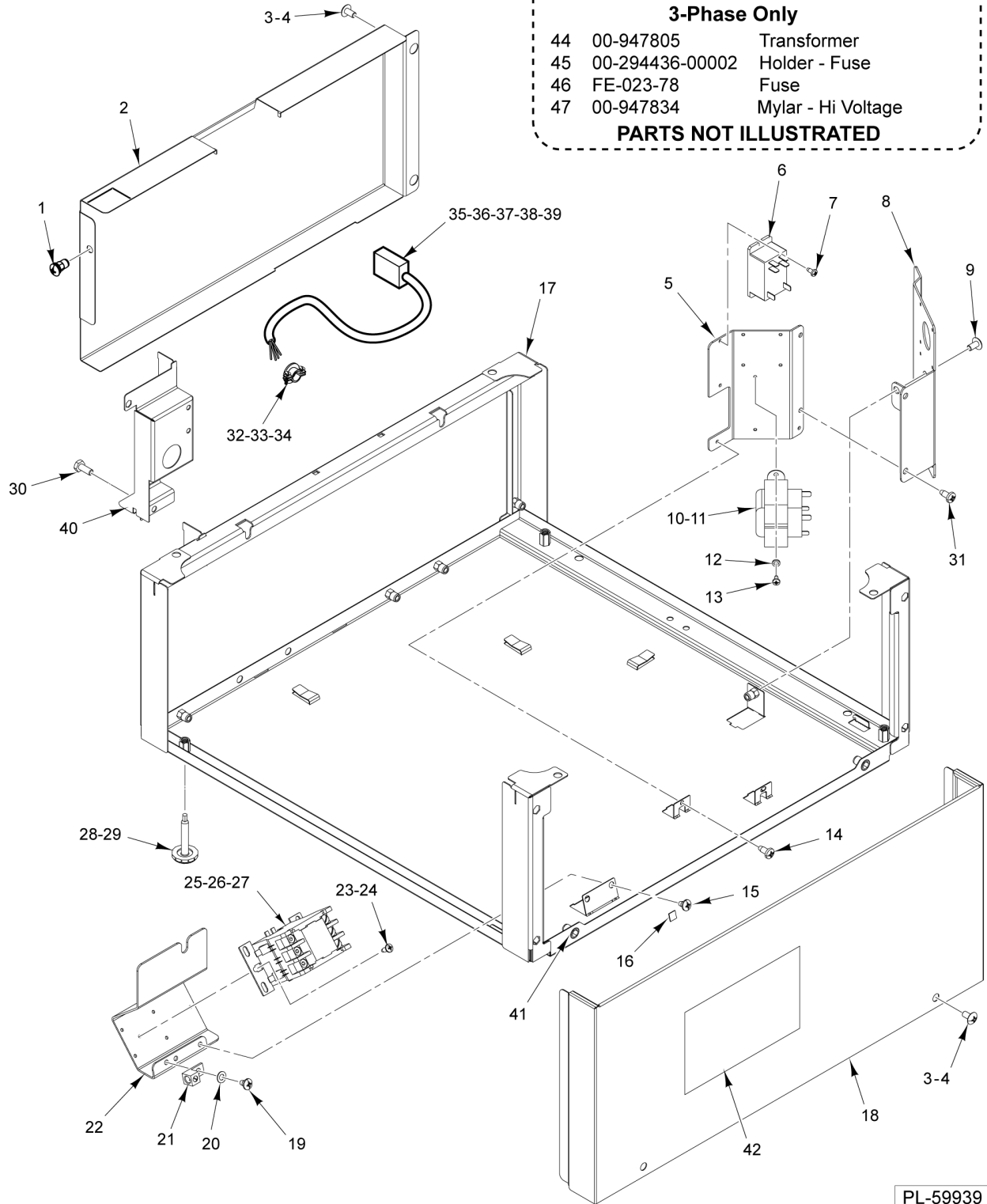
LXe SERIES DISHWASHERS

ML-130191	LXeC
ML-130192	LXeH
ML-130193	LXePR
ML-130194	LXeR
ML-130220	LXeSR
ML-130321	LXeSPR
ML-130361	LXeR-30
ML-130362	LXeSR-30

Table of Contents

5	BASE ASSEMBLY
7	TANK ASSEMBLY
9	DOOR ASSEMBLY (BEFORE S/N 231176364)
11	DOOR ASSEMBLY (STARTING S/N 231176364)
13	CONTROL PANEL AND BOARDS
15	WASH ARM AND RINSE ARM ASSEMBLY (STANDARD)
17	WASH ARM AND RINSE ARM ASSEMBLY (ADVANSYS)
19	WASH PIPE ASSEMBLY
21	WASH PUMP AND DRAIN
23	DRAIN WATER TEMPERING
25	RINSE PUMP
27	CHEMICAL PUMPS AND SENSORS
29	BOOSTER ASSEMBLY (HOT)
31	RECOVERY TANK ASSEMBLY (COLD) METAL TANK
33	RECOVERY TANK ASSEMBLY (COLD) MOLDED TANK
35	VAPOR ELIMINATOR ASSEMBLY
37	FILL AIR GAP
39	MISCELLANEOUS
41	CORRECTIONAL PARTS PACKAGE

- | | | |
|------------------------------|-----------------|--------------------------|
| 43 | 00-562118 | Kit-Multitap Transformer |
| 3-Phase Only | | |
| 44 | 00-947805 | Transformer |
| 45 | 00-294436-00002 | Holder - Fuse |
| 46 | FE-023-78 | Fuse |
| 47 | 00-947834 | Mylar - Hi Voltage |
| PARTS NOT ILLUSTRATED | | |



PL-59939

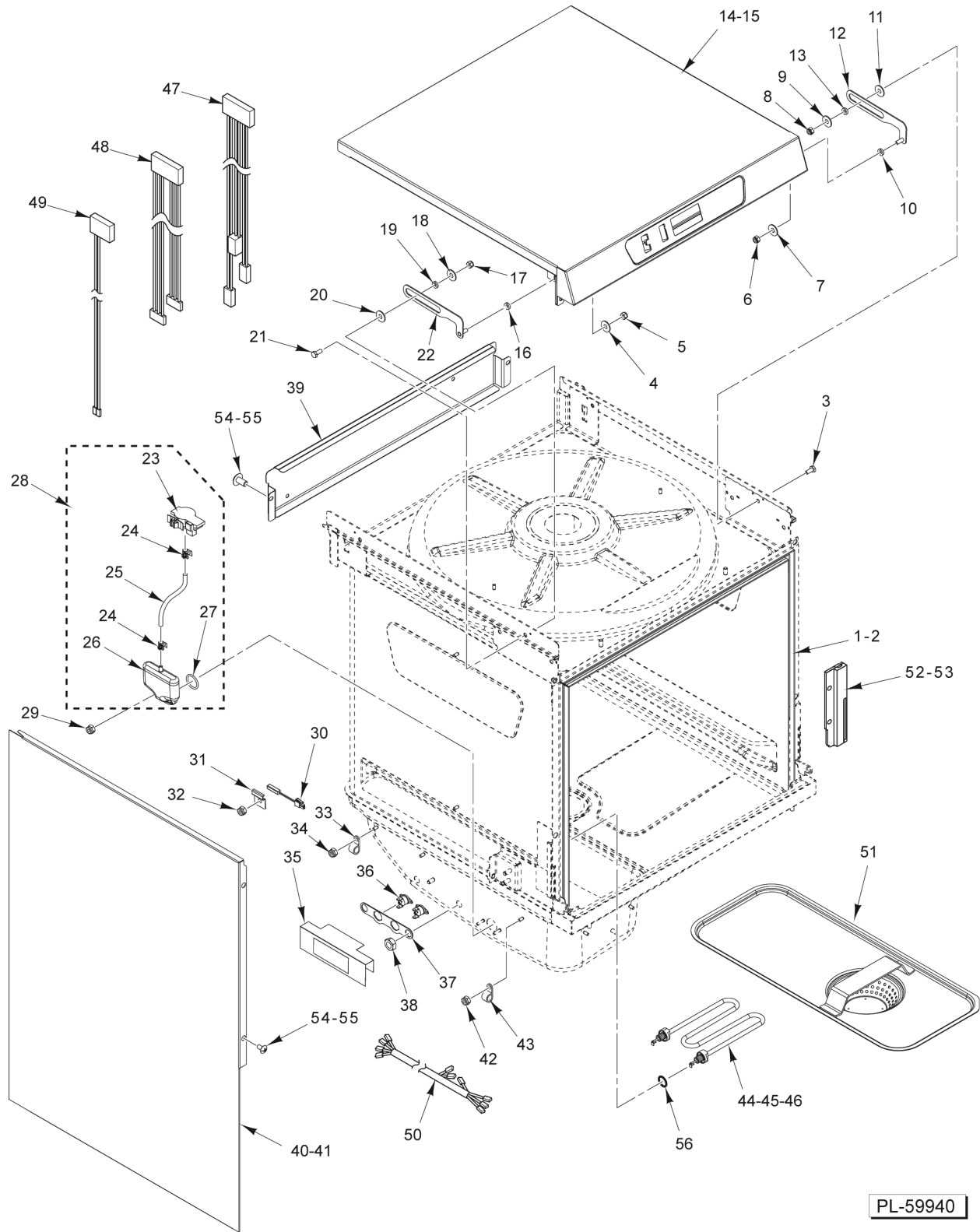
BASE ASSEMBLY

BASE ASSEMBLY

ILLUS.	PART NO.	NAME OF PART	AMT.
PL-59939			
1	SC-125-15	Mach. Screw 1/4-20 x 1/2 Phil. Truss Hd.....	1
2	00-941761	Panel - Cover (Rear).....	1
3	SC-125-15	Mach. Screw 1/4-20 x 1/2 Phil. Truss Hd.....	6
4	SC-121-72	Mach. Screw 1/4-20 x 1/2 Tx. Button Hd. (SST) (Prison Package).....	7
5	00-941759	Bracket - Contactor.....	1
6	00-087714-042-1	Relay (2-Pole) (120 VAC) (30 Amp.).....	1
7	SD-008-18	Self-Tapping Screw 8-18 x 3/8 Phil. Bndg. Hd., Type B.....	2
8	00-941632	Bracket - Chemical Pump.....	1
9	SC-125-15	Mach. Screw 1/4-20 x 1/2 Phil. Truss Hd.....	1
*10	00-941947	Transformer (24 V., 30 Amp.).....	1
**11	00-975308	Transformer, 24V, 40VA.....	1
12	WL-006-07	Lockwasher #10 Helical (SST).....	2
13	SD-008-18	Self-Tapping Screw 8-18 x 3/8 Phil. Bndg. Hd., Type B.....	2
14	SD-008-25	Self-Tapping Screw 10-16 x 1/2 Phil. Pan Hd., Type B.....	2
15	SD-035-77	Self-Tapping Screw 1/4-20 x 3/8 Phil. Pan Hd., Type TT.....	2
16	0F-011613	Label - Ground.....	1
17	00-941751	Base - Lower (Control Box).....	1
18	00-941762	Trim - Front.....	1
19	SD-035-77	Self-Tapping Screw 1/4-20 x 3/8 Phil. Pan Hd., Type TT.....	1
20	WL-007-15	Lockwasher 1/4 External Shakeproof.....	1
21	00-118544-00002	Lug - Grounding.....	1
22	00-941791	Bracket.....	1
23	SD-008-25	Self-Tapping Screw 10-16 x 1/2 Phil. Pan Hd., Type B (LXeH, LXeR, & LXeSR).....	2
24	SD-008-18	Self-Tapping Screw 8-18 x 3/8 Phil. Bndg. Hd., Type B (LXeC, LXePR, & LXeSPR)	2
25	00-949709	Contactor (25 Amp. w/AUX side switch) (LXeH-30 & LXeR-30).....	1
26	00-087713-00108	Contactor (25 Amp.) (3-Pole) (LXeH, LXeR, & LXeSR).....	1
27	00-941813	Block - Terminal (3-Pole) (LXeC, LXePR, & LXeSPR).....	1
28	00-941756	Foot - Leveling.....	4
29	00-941757	Rivnut 5/16-18.....	4
30	SC-041-50	Cap Screw 1/4-20 x 1/2 Hex Hd. (SST).....	1
31	SD-035-77	Self-Tapping Screw 1/4-20 x 3/8 Phil. Pan Hd., Type TT.....	2
32	FE-023-47	Strain Relief - Electrical (1 In.).....	1
33	FE-026-07	Strain Relief - Electrical (3/4 In.).....	1
34	FE-022-05	NLA - Obsolete--Washer - Reducing (1 to 3/4 In.).....	1
35	00-948314	Kit - Power Cord (208-240 V., 60 Hz., 3 Ph.) (LXeH, LXeR, & LXeSR) (Incls. Item 31)	1
36	00-948315	Kit - Power Cord (120-240 V., 60 Hz., 1 Ph.) (LXeH, LXeR, & LXeSR) (Incls. Item 31)	1
37	00-948312	Kit - Power Cord (120 V., 60 Hz., 1 Ph.) (LXeC, LXePR, & LXeSPR) (Incls. Items 32 & 33).....	1
38	00-948313	Kit - Power Cord (208-240 V., 60 Hz., 1 Ph.) (LXeC, LXePR, & LXeSPR) (Incls. Item 31).....	1
39	00-562476	Kit - Power Cord (120/208-240 V., 60 Hz., 1PH) (LXeR-30 & LXeSR-30) (Incls. Item 32).....	1
40	00-941760	Box - Junction.....	1
41	00-919364-00002	Rivnut 1/4-20.....	AR
42	00-438131-00192	Label (Cleaning).....	1
*43	00-562118	Kit - Multi-tap Transformer (Incls. Items 5 & 11).....	1
44	00-947805	Transformer - 250VA 50/60 Hz.....	1
45	00-294436-00002	Holder - Fuse.....	1
46	FE-023-78	Fuse (1.25 Amp.).....	1
47	00-947834	Mylar - Hi Voltage.....	1

* Before SN 231196116

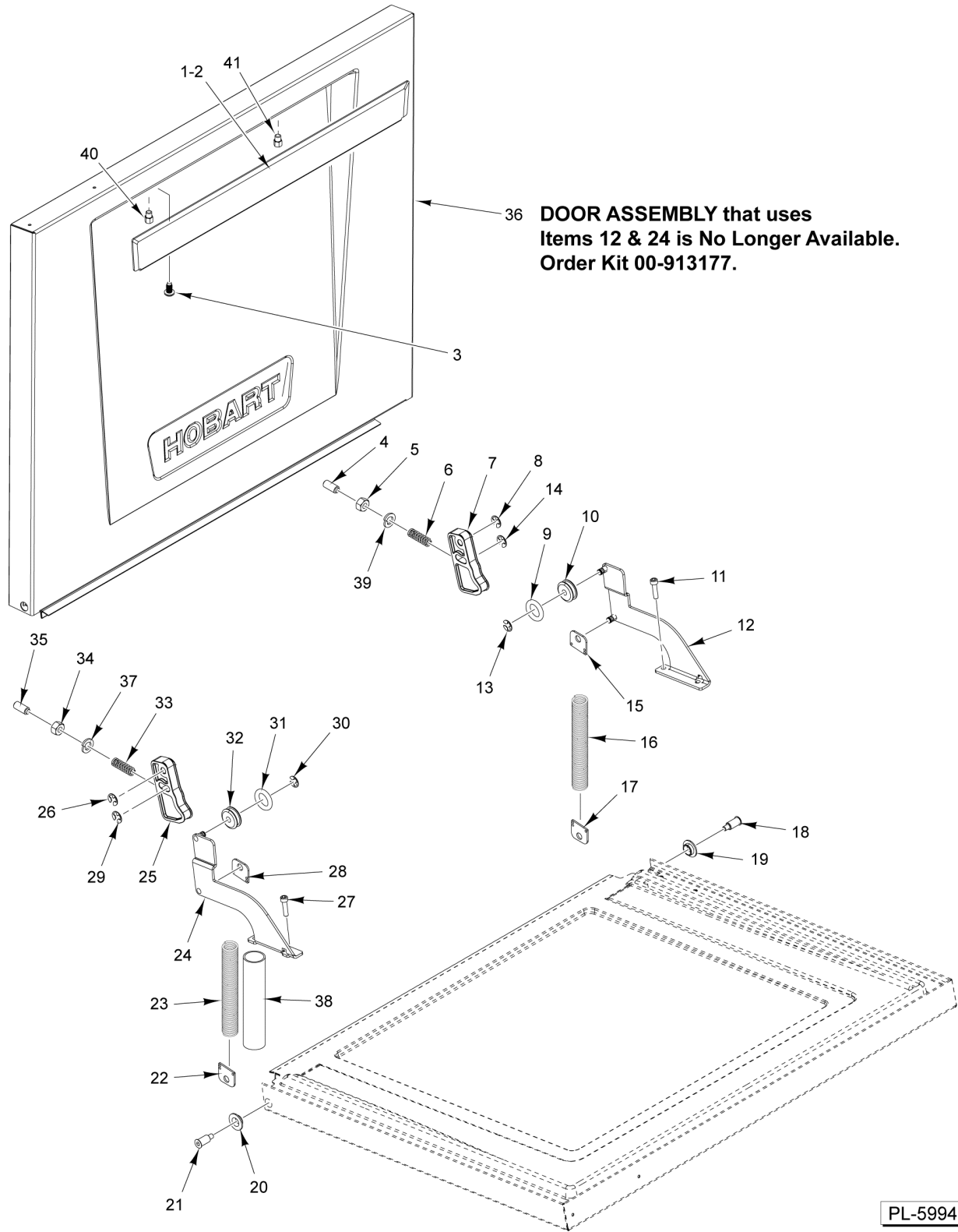
** SN 231196116 and After



TANK ASSEMBLY

TANK ASSEMBLY

ILLUS.	PART NO.	NAME OF PART	AMT.
PL-59940			
1	01-240077-00001	Seal - Door.....	1
2	00-949148	Kit - Seal & Shim Assy.....	1
3	SC-041-05	Cap Screw 1/4-20 x 5/8 Hex Hd. (SST).....	1
4	WS-017-01	Washer 0.328 x 0.875 x 0.062 (SST).....	1
5	NS-047-82	Stop Nut 1/4-20 Hex (SST).....	1
6	NS-047-82	Stop Nut 1/4-20 Hex (SST).....	1
7	WS-017-01	Washer 0.328 x 0.875 x 0.062 (SST).....	1
8	NS-047-82	Stop Nut 1/4-20 Hex (SST).....	1
9	WS-017-01	Washer 0.328 x 0.875 x 0.062 (SST).....	1
10	WS-022-25	Washer.....	1
11	WS-017-01	Washer 0.328 x 0.875 x 0.062 (SST).....	1
12	00-941783-00001	Link - Control Box Pivot (RH).....	1
13	WS-022-25	Washer.....	1
14	00-941780	Top - Control Box.....	1
15	00-942191	Gasket - Control Box (Top).....	1
16	WS-022-25	Washer.....	1
17	NS-047-82	Stop Nut 1/4-20 Hex (SST).....	1
18	WS-017-01	Washer 0.328 x 0.875 x 0.062 (SST).....	1
19	WS-022-25	Washer.....	1
20	WS-017-01	Washer 0.328 x 0.875 x 0.062 (SST).....	1
21	SC-041-05	Cap Screw 1/4-20 x 5/8 Hex Hd. (SST).....	1
22	00-941783-00002	Link - Control Box Pivot (LH).....	1
23	00-974533	Pressure Transducer.....	1
24	00-113156-00001	Clamp - Spring Action Hose.....	2
25	00-974388-00004	Tube - PVC.....	1
26	00-942151-00001	Trap - Air.....	1
27	OR-001-21	O-Ring.....	1
28	00-950051-00002	Kit - Tubing (Incls. Items 23, 24, 25, 26, 27).....	1
29	NS-047-82	Stop Nut 1/4-20 Hex (SST).....	2
30	00-941747	Thermistor.....	1
31	00-941793	Bracket - Thermistor.....	1
32	NS-047-82	Stop Nut 1/4-20 Hex (SST).....	1
33	00-294677-00002	Clamp - Wire (1/2 I.D.).....	1
34	NS-047-82	Stop Nut 1/4-20 Hex (SST).....	1
35	00-473318-00002	Barrier - Sump Heater (Mylar).....	1
36	00-942185	Protector - High Limit.....	2
37	00-749400	Bracket - Overtemp Mounting.....	1
38	NS-041-09	NLA - Obsolete--Lock Nut 1/2-13 Hex.....	2
39	00-941785	Panel - Rear Trim (Upper).....	1
40	00-941792-00001	Panel - Side (RH).....	1
41	00-941792-00002	Panel - Side (LH).....	1
42	NS-047-82	Stop Nut 1/4-20 Hex (SST).....	12
43	00-294677-00003	Clamp - Wire (3/4 I.D.).....	12
44	00-941286-00003	Element - Heater (Sump) (120 V.).....	1
45	00-941286-00001	Element - Heater (Sump) (208-240 V.).....	1
46	00-892725-00003	Element - Heater (Sump) (208 V.) (LXeR-30, LXeH-30, LXeSR-1, LXeSR-2, & LXeSR-5 ONLY).....	1
47	00-941873	Harness - Wire (Temperature Probes).....	1
48	00-941874	Harness - Wire (Pressure Sensor).....	1
49	00-941885	Harness - Wire (High Limit) (LXeC, LXePR, & LXeSPR).....	1
50	00-941883	Harness - Wire (Sump Heater).....	1
51	00-941734-00001	Strainer - Weldment.....	1
52	00-942106-00001	Guide - Door (RH).....	1
53	00-942106-00002	Guide - Door (LH).....	1
54	SC-125-15	Mach. Screw 1/4-20 x 1/2 Phil. Truss Hd.....	6
55	SC-121-72	Mach. Screw 1/4-20 x 1/2 Tx. Button Hd. (SST) (Prison Package).....	6
56	00-067500-00007	O-Ring.....	2

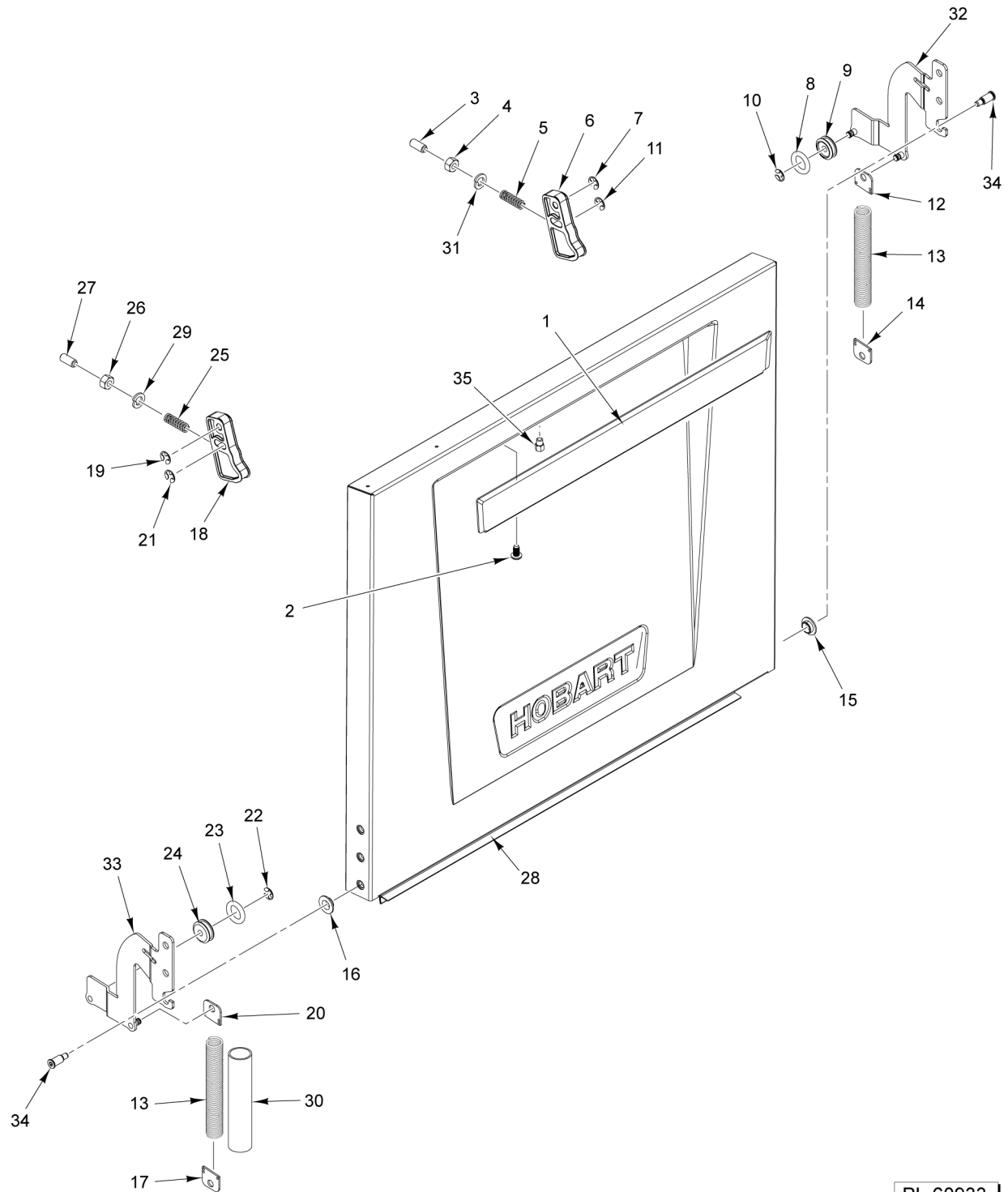


PL-59941

**DOOR ASSEMBLY
(BEFORE S/N 231176364)**

**DOOR ASSEMBLY
(BEFORE S/N 231176364)**

ILLUS. PL-59941	PART NO.	NAME OF PART	AMT.
1	00-942085	Handle - Door (Base).....	1
2	00-941889	Handle - Door (Advansys).....	1
3	SC-125-15	Mach. Screw 1/4-20 x 1/2 Phil. Truss Hd.....	4
4	SC-131-57	Set Screw 5/16-18 x 3/4 Hex Hdls., Dog Pt. (SST).....	1
5	NS-015-11	Nut 5/16-18 Hex (SST).....	1
6	00-941848	Spring - Compression.....	1
7	00-941849	Cam - Door Pivot.....	1
8	RR-006-22	Retaining Ring 1/4 In. (SST).....	1
9	OR-001-23	O-Ring.....	1
10	00-941852	Roller - Cam.....	1
11	SC-131-77	Cap Screw 10-32 x 7/16 Hex Socket Hd. (SST).....	2
12	00-942110-00001	Stop - Door (RH).....	1
13	RR-006-22	Retaining Ring 1/4 In. (SST).....	1
14	RR-006-22	Retaining Ring 1/4 In. (SST).....	1
15	00-941851	Connector - Spring.....	1
16	00-941847	Spring - Extension.....	1
17	00-941851	Connector - Spring.....	1
18	00-941853	Shoulder Bolt.....	1
19	00-941846	Bearing - Door.....	1
20	00-941846	Bearing - Door.....	1
21	00-941853	Shoulder Bolt.....	1
22	00-941851	Connector - Spring.....	1
23	00-941847	Spring - Extension.....	1
24	00-942110-00002	Stop - Door (LH).....	1
25	00-941849	Cam - Door Pivot.....	1
26	RR-006-22	Retaining Ring 1/4 In. (SST).....	1
27	SC-131-77	Cap Screw 10-32 x 7/16 Hex Socket Hd. (SST).....	2
28	00-941851	Connector - Spring.....	1
29	RR-006-22	Retaining Ring 1/4 In. (SST).....	1
30	RR-006-22	Retaining Ring 1/4 In. (SST).....	1
31	OR-001-23	O-Ring.....	1
32	00-941852	Roller - Cam.....	1
33	00-941848	Spring - Compression.....	1
34	NS-015-11	Nut 5/16-18 Hex (SST).....	1
35	SC-131-57	Set Screw 5/16-18 x 3/4 Hex Hdls., Dog Pt. (SST).....	1
36	00-913177	Kit - Door Assy. (Incls. Door Stops & Pivot Screws).....	1
37	WL-006-23	Lockwasher 5/16 Helical (SST).....	1
38	00-947934	Cover - Spring.....	1
39	WL-006-23	Lockwasher 5/16 Helical (SST).....	1
40	00-919364-00003	NUT, RIVET, 1/4-20.....	1
41	00-919364-00003	NUT, RIVET, 1/4-20.....	4

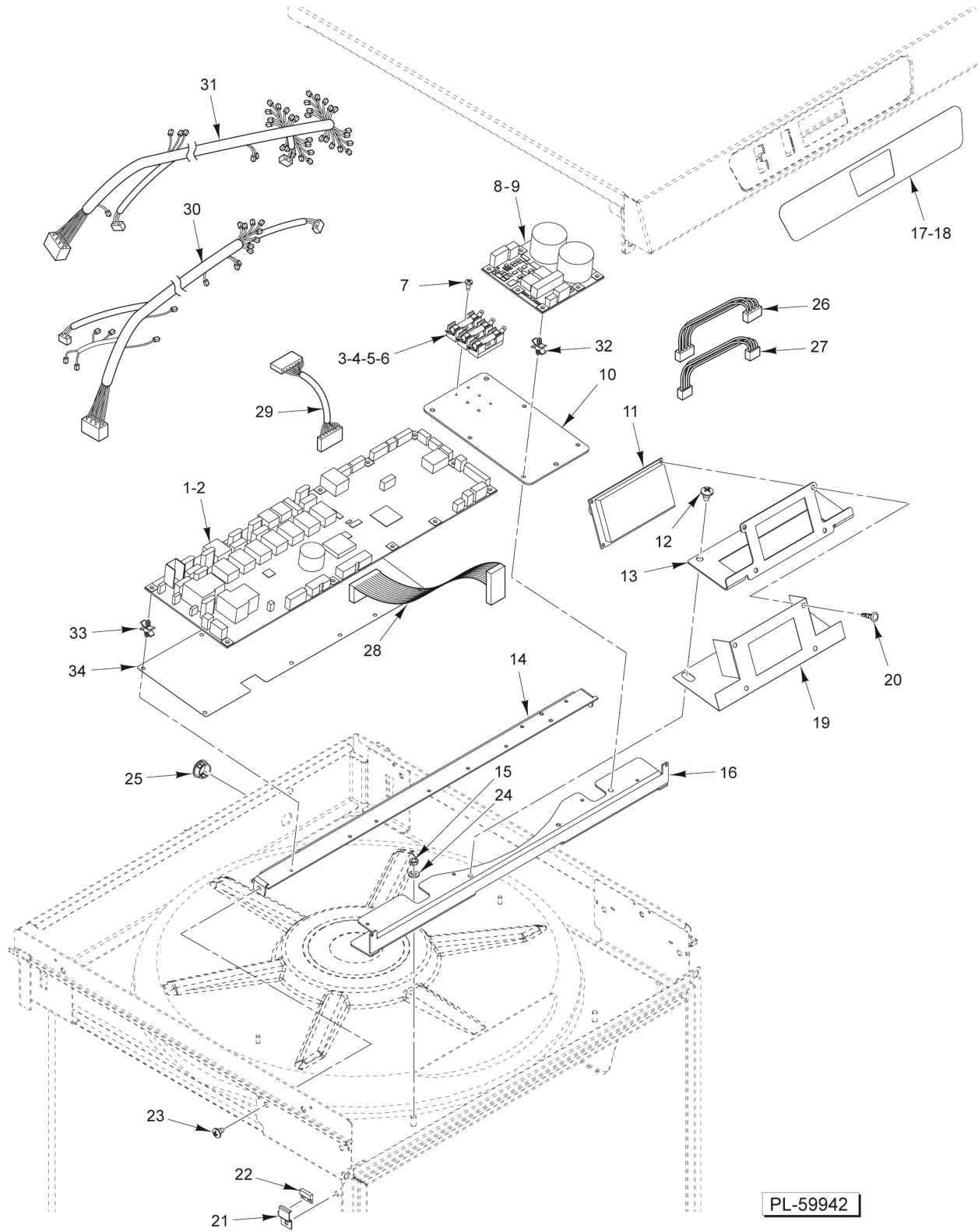


PL-60933

**DOOR ASSEMBLY
(STARTING S/N 231176364)**

**DOOR ASSEMBLY
(STARTING S/N 231176364)**

ILLUS. PL-60933	PART NO.	NAME OF PART	AMT.
1	00-941889	Handle - Door (Advansys).....	1
2	SC-125-15	Mach. Screw 1/4-20 x 1/2 Phil. Truss Hd.....	4
3	SC-131-57	Set Screw 5/16-18 x 3/4 Hex Hdls., Dog Pt. (SST).....	1
4	NS-015-11	Nut 5/16-18 Hex (SST).....	1
5	00-941848	Spring - Compression.....	1
6	00-941849	Cam - Door Pivot.....	1
7	RR-006-22	Retaining Ring 1/4 In. (SST).....	1
8	OR-001-23	O-Ring.....	1
9	00-941852	Roller - Cam.....	1
10	RR-006-22	Retaining Ring 1/4 In. (SST).....	1
11	RR-006-22	Retaining Ring 1/4 In. (SST).....	1
12	00-941851	Connector - Spring.....	1
13	00-950061	Spring - Extension.....	2
14	00-941851	Connector - Spring.....	1
15	00-941846	Bearing - Door.....	1
16	00-941846	Bearing - Door.....	1
17	00-941851	Connector - Spring.....	1
18	00-941849	Cam - Door Pivot.....	1
19	RR-006-22	Retaining Ring 1/4 In. (SST).....	1
20	00-941851	Connector - Spring.....	1
21	RR-006-22	Retaining Ring 1/4 In. (SST).....	1
22	RR-006-22	Retaining Ring 1/4 In. (SST).....	1
23	OR-001-23	O-Ring.....	1
24	00-941852	Roller - Cam.....	1
25	00-941848	Spring - Compression.....	1
26	NS-015-11	Nut 5/16-18 Hex (SST).....	1
27	SC-131-57	Set Screw 5/16-18 x 3/4 Hex Hdls., Dog Pt. (SST).....	1
28	00-949324-00001	Door Assy.....	1
29	WL-006-23	Lockwasher 5/16 Helical (SST).....	1
30	00-947934	Cover - Spring.....	1
31	WL-006-23	Lockwasher 5/16 Helical (SST).....	1
32	00-949319-00001	Stop - Door (RH).....	1
33	00-949319-00002	Stop - Door (LH).....	1
34	00-949316	Screw - Pivot.....	6
35	00-919364-00003	NUT, RIVET, 1/4-20.....	6

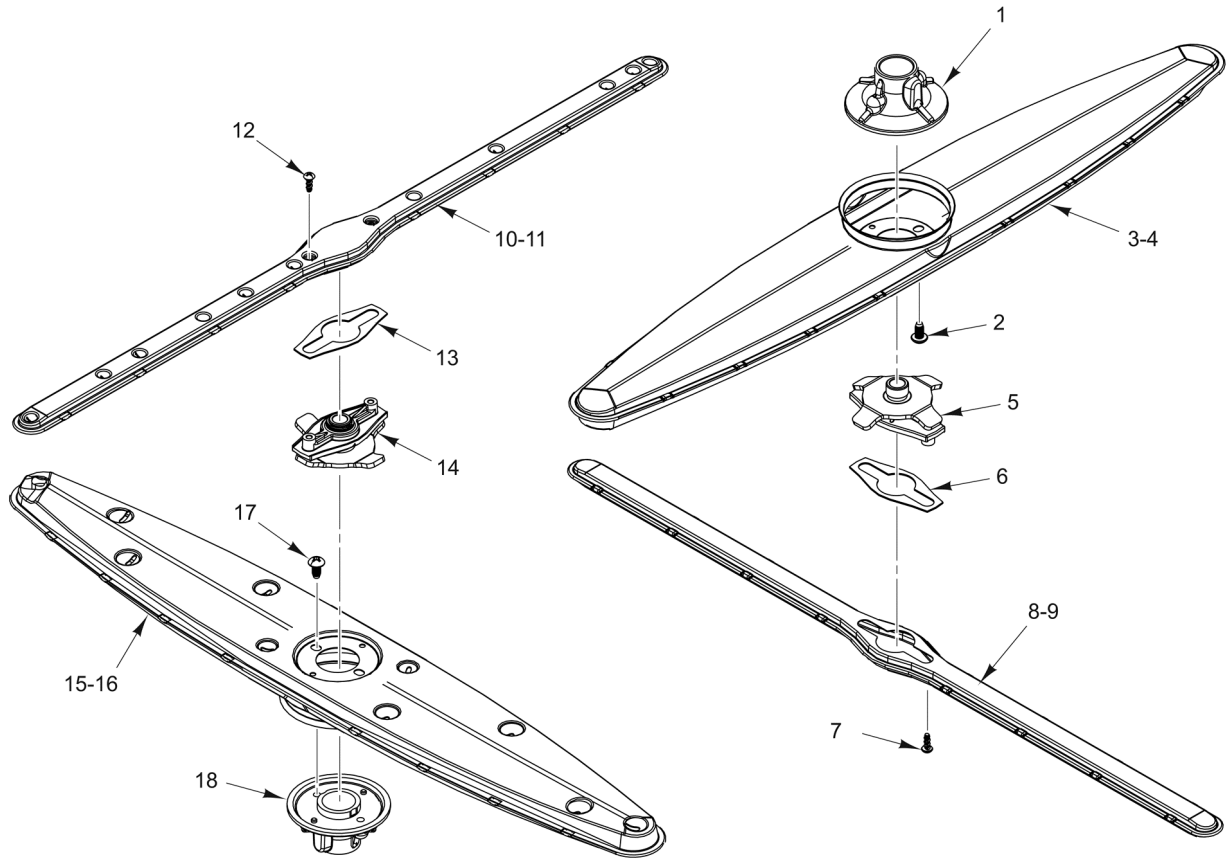


PL-59942

CONTROL PANEL AND BOARDS

CONTROL PANEL AND BOARDS

ILLUS.	PART NO.	NAME OF PART	AMT.
PL-59942			
1	00-941944-00003	Board - Master.....	1
2	00-974205	Board - Master (LXeSR & LXeSPR Only).....	1
3	00-942158	Block - Fuse.....	1
4	FE-022-28	Fuse (0.5 Amp.) (250 V.).....	1
5	FE-026-92	Fuse (2.5 Amp.) (250 V.).....	1
6	FE-022-39	Fuse (1.5 Amp.) (250 V.) (Advansys Hot Only).....	1
7	SD-008-17	Self-Tapping Screw 6-20 x 3/8 Phil. Bndg. Hd., Type B.....	2
8	00-941941	Board - Power Supply.....	1
9	FE-022-29	Fuse (250 V.) (1 Amp.).....	1
10	00-941786	Mount - Power Supply.....	1
11	00-941548	Display.....	1
12	SD-035-77	Self-Tapping Screw 1/4-20 x 3/8 Phil. Pan Hd., Type TT.....	2
13	00-941789	Mount - Display.....	1
14	00-941788	Base - Control Box (Upper).....	1
15	NS-047-82	Stop Nut 1/4-20 Hex (SST).....	2
16	00-941787	Mount - Brace (Front).....	1
17	00-941546-00002	Keypad - Membrane (Standard).....	1
18	00-941546-00001	Keypad - Membrane (Advansys).....	1
19	00-942179	Mylar - Display.....	1
20	00-941790-00001	Clip - Board.....	4
21	00-941890	Bracket - Reed Switch.....	1
22	00-941429-00003	Switch Assy. - Door.....	1
23	SD-035-77	Self-Tapping Screw 1/4-20 x 3/8 Phil. Pan Hd., Type TT.....	2
24	WS-017-01	Washer 0.328 x 0.875 x 0.062 (SST).....	2
25	FE-016-02	Bushing - Snap (LXeR & LXeSR Only).....	1
26	00-941879	Harness - Control (12 V.) (Control Signal from Control Board to Power Supply Board)	1
27	00-941878	Harness - Power Supply (Power Supply Board to Control Board).....	1
28	00-941875	Cable - Display.....	1
29	00-941881	Harness - Keypad.....	1
30	00-941880	Harness - Wire (120 V.) (LXeH, LXeR, & LXeSR).....	1
31	00-947821	Harness - Wire (120 V.) (LXeC, LXePR, & LXeSPR).....	1
32	00-329056-00001	Standoff.....	4
33	00-329056-00001	Standoff.....	7
34	00-948050	Mylar - Barrier.....	1

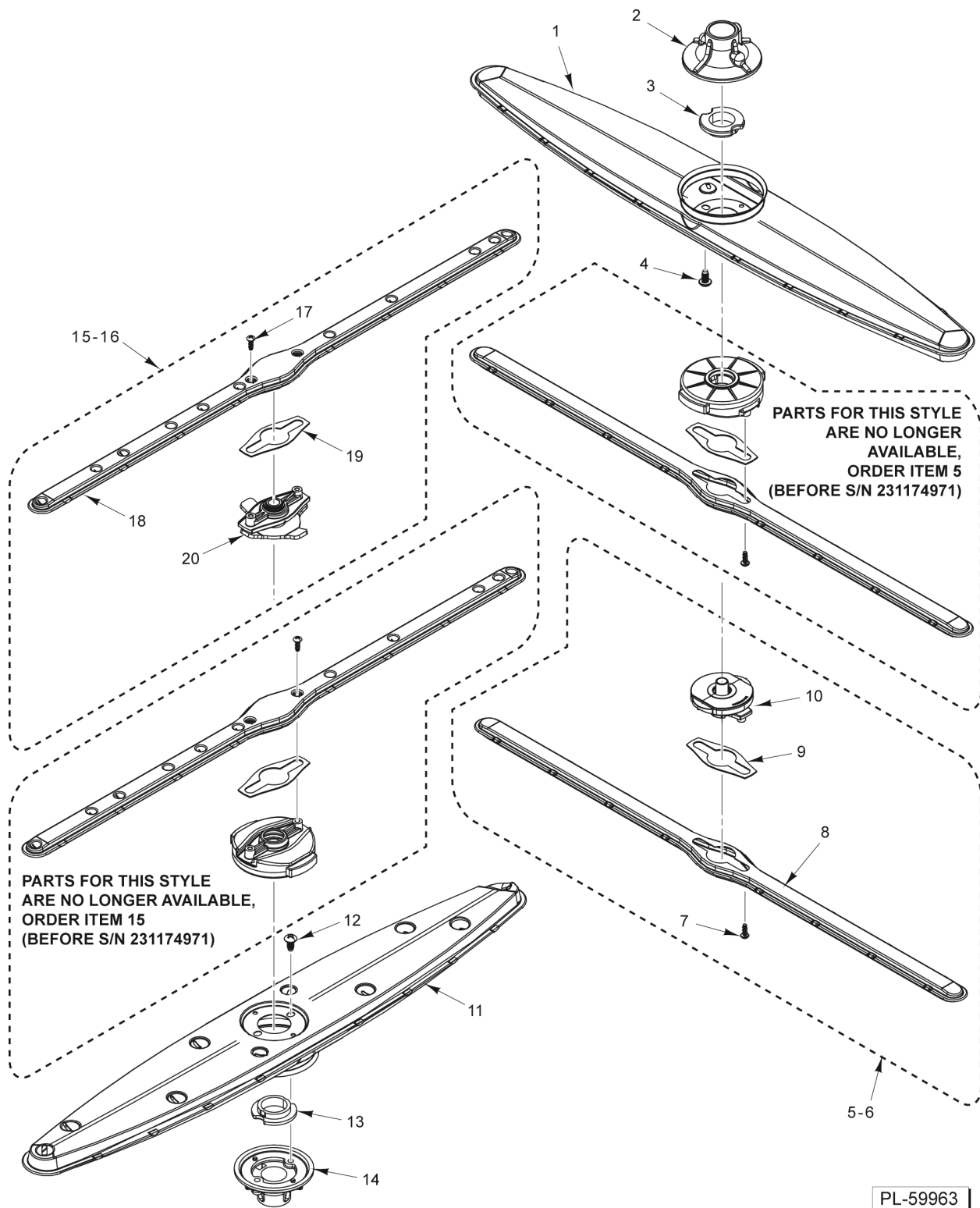


PL-59943

WASH ARM AND RINSE ARM ASSEMBLY (STANDARD)

WASH ARM AND RINSE ARM ASSEMBLY (STANDARD)

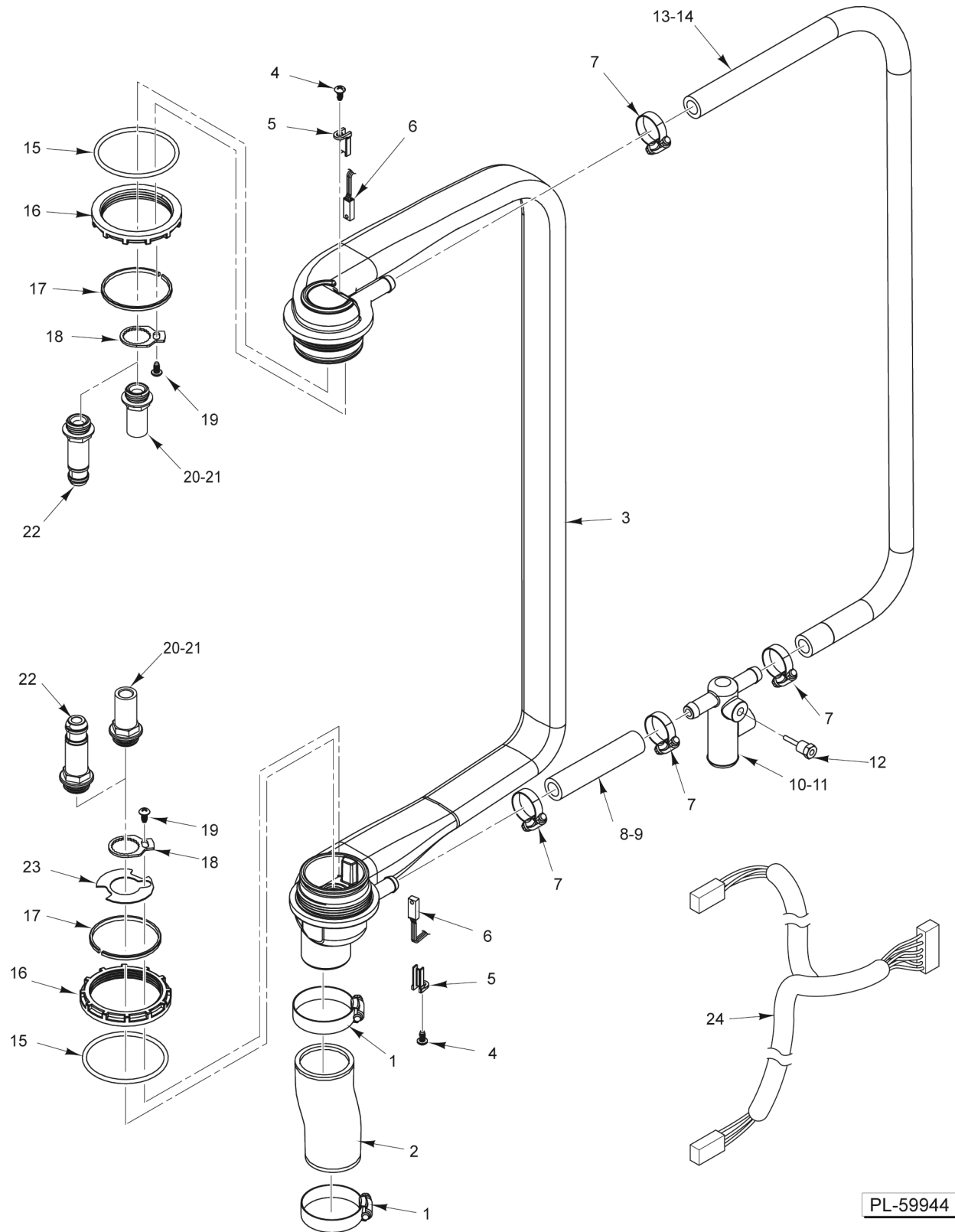
ILLUS.	PART NO.	NAME OF PART	AMT.
PL-59943			
1	00-941839-00001	Hub - Wash Arm.....	1
2	SD-039-65	Self-Tapping Screw 10-16 x 3/8 Phil. Pan Hd., Type B.....	2
3	00-941610-00001	Arm - Wash.....	1
4	00-941611-00002	Wash Arm Assy. (Incls. Items 1, 2, & 3).....	1
5	00-941859	Base - Rinse Arm.....	1
6	00-941858	Gasket - Rinse Arm.....	1
7	SD-039-64	Self-Tapping Screw.....	2
8	00-941838-00001	Arm - Rinse.....	1
9	00-941670	Rinse Arm Assy. (Incls. Items 5 thru 8).....	1
10	00-941670	Rinse Arm Assy. (Incls. Items 11 thru 14).....	1
11	00-941838-00001	Arm - Rinse.....	1
12	SD-039-64	Self-Tapping Screw.....	2
13	00-941858	Gasket - Rinse Arm.....	1
14	00-941859	Base - Rinse Arm.....	1
15	00-941611-00002	Wash Arm Assy. (Incls. Items 16, 17, & 18).....	1
16	00-941610-00001	Arm - Wash.....	1
17	SD-039-65	Self-Tapping Screw 10-16 x 3/8 Phil. Pan Hd., Type B.....	2
18	00-941839-00001	Hub - Wash Arm.....	1



WASH ARM AND RINSE ARM ASSEMBLY (ADVANSYS)

WASH ARM AND RINSE ARM ASSEMBLY (ADVANSYS)

ILLUS.	PART NO.	NAME OF PART	AMT.
PL-59963			
1	00-941611-00001	Wash Arm Assy. (Incls. Items 2, 3, & 4).....	1
2	00-941839-00003	Hub - Wash Arm.....	1
3	00-941840	Bushing - Hub (Wash Arm).....	1
4	SD-039-65	Self-Tapping Screw 10-16 x 3/8 Phil. Pan Hd., Type B.....	2
5	00-913170	Kit - Rinse Arm Assy. & Shaft (Incls. Items 7 thru 10 & Shaft) (Before S/N 231174971)	1
6	00-974094	Rinse Arm Assy. (Starting S/N 231174971).....	1
7	SD-039-64	Self-Tapping Screw.....	2
8	00-941838-00001	Arm - Rinse.....	1
9		(Part No Longer Available, Order Item 5).....	1
10		(Part No Longer Available, Order Item 5).....	1
11	00-941611-00001	Wash Arm Assy. (Incls. Items 12, 13, & 14).....	1
12	SD-039-65	Self-Tapping Screw 10-16 x 3/8 Phil. Pan Hd., Type B.....	2
13	00-941840	Bushing - Hub (Wash Arm).....	1
14	00-941839-00003	Hub - Wash Arm.....	1
15	00-913170	Kit - Rinse Arm Assy. & Shaft (Incls. Items 17 thru 20 & Shaft) (Before S/N 231174971)	1
16	00-974094	Rinse Arm Assy. (Starting S/N 231174971).....	1
17	SD-039-64	Self-Tapping Screw.....	2
18	00-941838-00001	Arm - Rinse.....	1
19		(Part No Longer Available, Order Item 15).....	1
20		(Part No Longer Available, Order Item 15).....	1

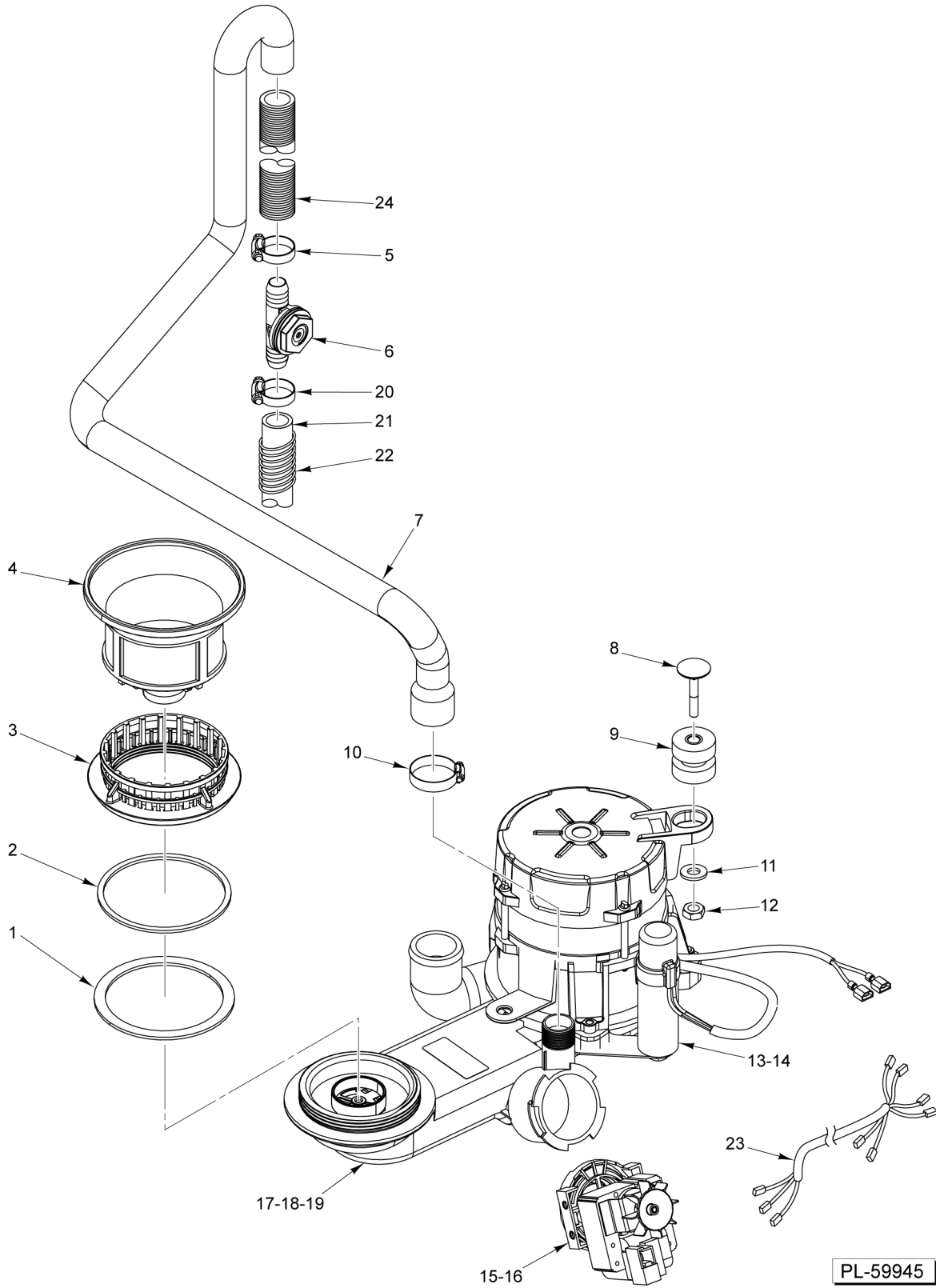


PL-59944

WASH PIPE ASSEMBLY

WASH PIPE ASSEMBLY

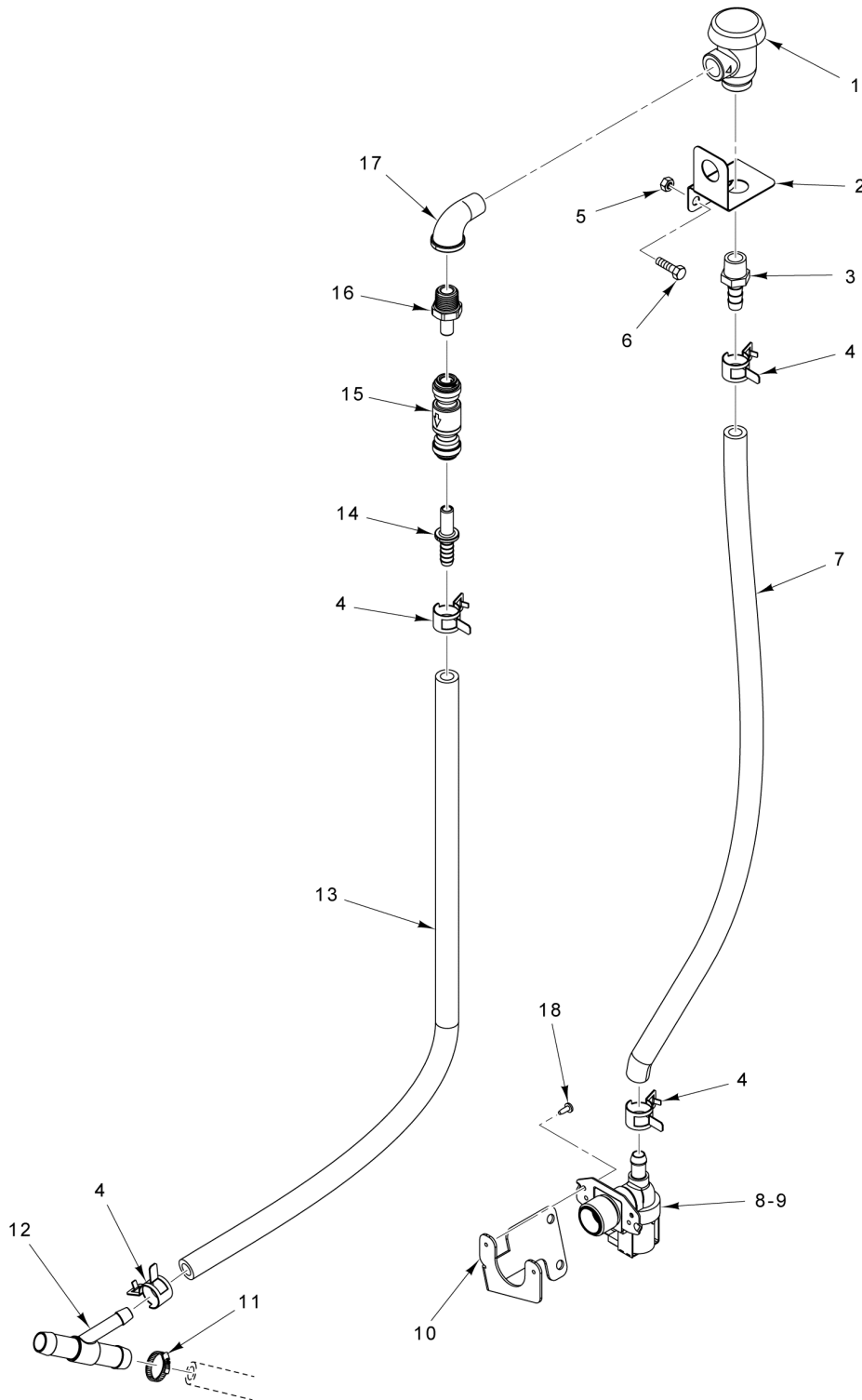
ILLUS. PL-59944	PART NO.	NAME OF PART	AMT.
1	00-547519	Clamp - Hose.....	2
2	00-941733	Hose - Outlet Pump.....	1
3	00-941636	Wash Tube - Weldment.....	1
4	SD-039-65	Self-Tapping Screw 10-16 x 3/8 Phil. Pan Hd., Type B (Advansys).....	2
5	00-941647	Retainer - Sensor (Advansys).....	2
6	00-941592	Sensor - Speed (Advansys).....	2
7	00-528499	Clamp - Hose.....	4
8	00-329017-00005	Hose - Rinse (Lower) (Hot).....	1
9	00-919977-00003	Hose - Rinse (Lower) (Cold).....	1
10	00-941795-00001	Manifold - Rinse (Hot).....	1
11	00-950549	Manifold - Rinse (Cold).....	1
12	00-328994	Probe Assy. - Rinse.....	1
13	00-329017-00006	Hose - Rinse (Upper) (Hot).....	1
14	00-919977-00004	Hose - Rinse (Upper) (Cold).....	1
15	OR-001-24	O-Ring.....	2
16	00-941682	Nut - Wash.....	2
17	00-948486	Ring - Sealing.....	2
18	00-947883	Retainer - Rinse Shaft.....	2
19	SD-039-65	Self-Tapping Screw 10-16 x 3/8 Phil. Pan Hd., Type B.....	2
20	00-941582	Shaft - Rinse (All Models) (Before S/N 231174971).....	2
21	00-949966	Shaft - Rinse (LXeR, LXeSR, LXePR, & LXeSPR Only) (Starting S/N 231174971)	2
22	00-913170	Kit - Rinse Arm Assy. & Shaft (Incls. Item 18 & Rinse Arm Assy.).....	2
23	00-941641	Choke - Wash.....	1
24	00-941877	Harness - Wire (Speed Sensors) (Advansys).....	1



WASH PUMP AND DRAIN

WASH PUMP AND DRAIN

ILLUS. PL-59945	PART NO.	NAME OF PART	AMT.
1	01-240296-00001	Ring.....	1
2	00-942093	Gasket - Wash Pump.....	1
3	01-515055-00001	Nut.....	1
4	01-240003-00002	Strainer - Sieve (Fine).....	1
5	00-528499	Clamp - Hose.....	1
6	00-918217	Tee - Check Valve.....	1
7	00-941773	Hose - Drain.....	1
8	00-941796	Bolt - Damper Carriage.....	1
9	01-240186-00001	Damper - Vibration.....	1
10	00-557627	Clamp - Hose.....	1
11	WS-017-06	Washer (SST).....	1
12	NS-047-82	Stop Nut 1/4-20 Hex (SST).....	1
13	00-942101-00002	Capacitor (120 V., 60 Hz., 1 Ph.).....	1
14	00-942101-00001	Capacitor (208-240 V., 50/60 Hz., 1 Ph.).....	1
15	00-942100-00001	Pump - Drain (60 Hz.).....	1
16	00-942100-00002	Pump - Drain (50 Hz.).....	1
17	00-942095-00001	Pump Assy. (Wash) (120 V., 60 Hz., 1 Ph.) (Incls. Items 13, & 15).....	1
18	00-942095-00002	Pump Assy. (Wash) (208-240 V., 60 Hz., 1 Ph.) (Incls. Items 14, & 15).....	1
19	00-942095-00003	Pump Assy. (Wash) (208-240 V., 50 Hz., 1 Ph.) (Incls. Items 14, & 16).....	1
20	00-528499	Clamp - Hose.....	1
21	00-292856-00002	Hose - Drain (84 In.).....	1
22	00-476664-00001	Spring - Drain Hose (Previous Construction).....	1
23	00-941882	Harness - Wire (Pump).....	1
24	00-974846	Cover - Drain Hose (Current Construction).....	1

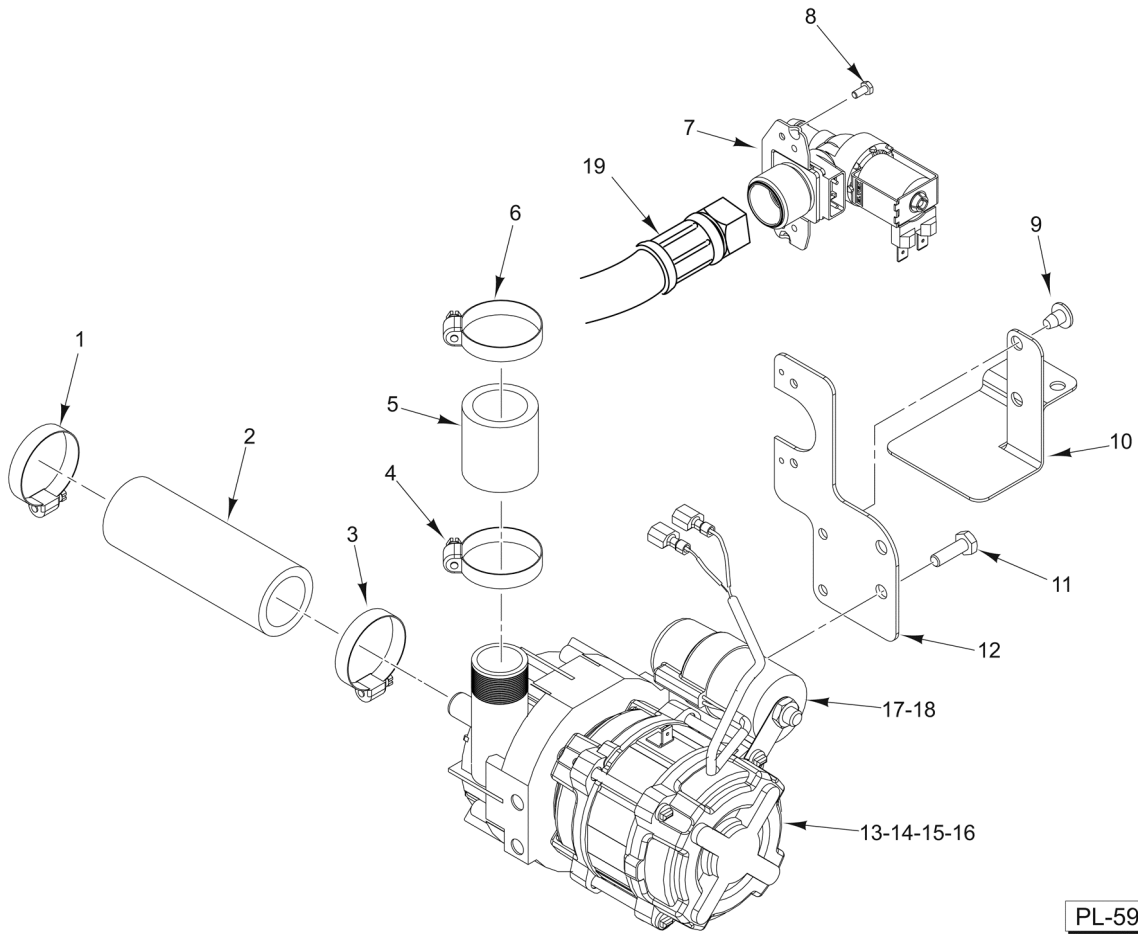


PL-60359

DRAIN WATER TEMPERING

DRAIN WATER TEMPERING

ILLUS.	PART NO.	NAME OF PART	AMT.
PL-60359			
1	00-271008	Vacuum Breaker (3/8 In.).....	1
2	00-942104	Mount - Breaker.....	1
3	FP-090-30	Fitting - Hose 3/8 to 3/8 NPT (Brass).....	1
4	00-558090	Clamp.....	4
5	NS-047-82	Stop Nut 1/4-20 Hex (SST).....	4
6	SC-041-50	Cap Screw 1/4-20 x 1/2 Hex Hd. (SST).....	4
7	00-941726-00009	Hose 3/8 x 22.....	1
8	00-941798	Valve (Deltrol).....	1
9	00-947823	Harness - Wiring.....	1
10	00-942103	Bracket - Pump.....	1
11	00-528499	Clamp - Hose.....	2
12	00-942160	Adapter - Tee.....	1
13	00-941726-00010	Hose 3/8 x 26-1/2.....	1
14	FP-091-34	Fitting 3/8 Stem x 3/8 Barb.....	1
15	FP-091-35	Valve - Check (3/8 In.) (Quick Connect).....	1
16	FP-091-33	Fitting 3/8 NPT x 3/8 Stem.....	1
17	FP-015-10	Elbow - Street 3/8 x 90 Deg.....	1
18	SD-008-17	Self-Tapping Screw 6-20 x 3/8 Phil. Bndg. Hd., Type B.....	2



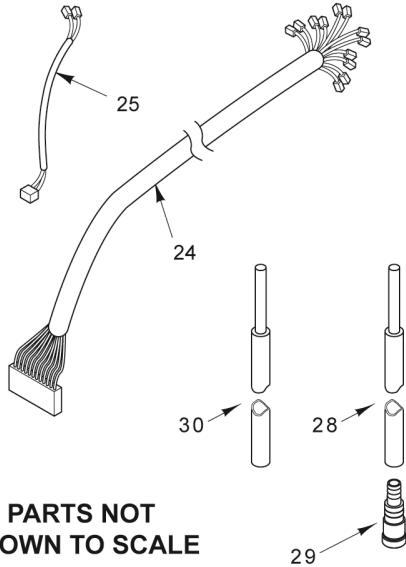
PL-59946

RINSE PUMP

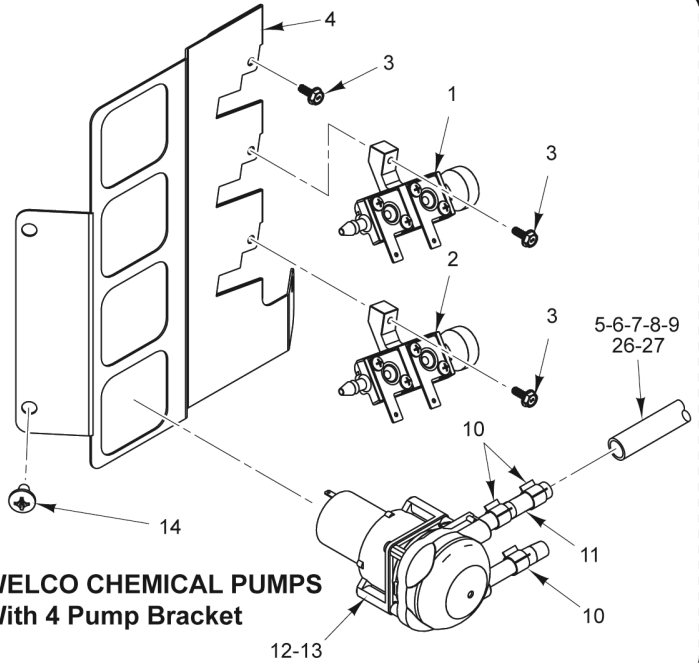
RINSE PUMP

ILLUS.	PART NO.	NAME OF PART	AMT.
PL-59946			
1	00-557627	Clamp - Hose.....	1
2	00-941731-00002	Hose - Inlet (4 In.).....	1
3	00-557627	Clamp - Hose.....	1
4	00-557627	Clamp - Hose.....	1
5	00-941731-00001	Hose - Outlet (1-3/4 In.).....	1
6	00-557627	Clamp - Hose.....	1
7	00-941798	Valve (Deltrol).....	1
8	SD-008-17	Self-Tapping Screw 6-20 x 3/8 Phil. Bndg. Hd., Type B.....	2
9	SD-035-77	Self-Tapping Screw 1/4-20 x 3/8 Phil. Pan Hd., Type TT.....	2
10	00-941771	Bracket - Pump (Rinse).....	1
11	SC-120-48	Cap Screw M6 x 1.0 x 18mm Hex Hd. (SST).....	2
12	00-941794	Mount - Fill Valve.....	1
13	00-942096-00001	Pump - Rinse (120 V.).....	1
14	00-942096-00002	Pump - Rinse (208-240 V., 60 Hz.).....	1
15	00-942096-00003	Pump - Rinse (208-240 V., 50 Hz.).....	1
16	00-949691	Cover - Mylar (Rinse Pump).....	1
17	00-942101-00004	Capacitor (120 V.) (Incls. Hardware).....	1
18	00-942101-00003	Capacitor (208-240 V.) (Incls. Hardware).....	1
19	00-293408	Hose - Fill Assy.....	1
	00-292787	Filter - Fill Hose Assy. (Not pictured).....	1
	00-949691	Cover - Mylar (Not pictured).....	1

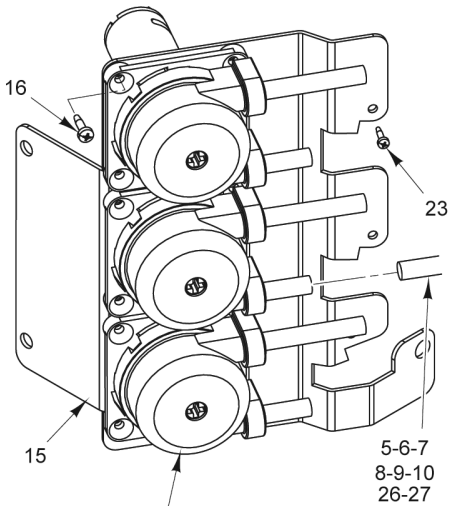
- 31 00-185112 Stand Pipe
 32 00-185111-00002 Clamp - Hose
PARTS NOT ILLUSTRATED



PARTS NOT SHOWN TO SCALE

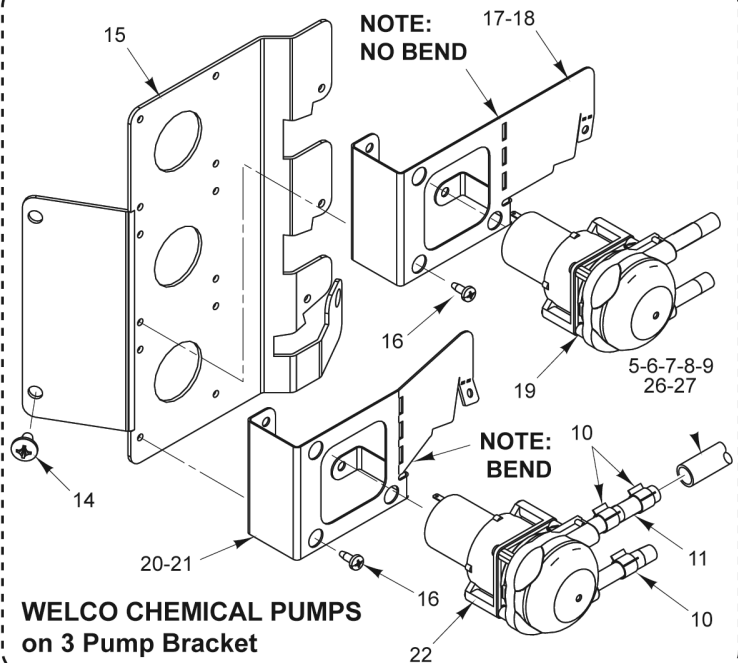


**WELCO CHEMICAL PUMPS
 With 4 Pump Bracket**



**ANKO CHEMICAL PUMPS
 With 3 Pump Bracket**

ANKO PUMPS
 NO LONGER AVAILABLE,
 ORDER ITEM 17 or 20



**WELCO CHEMICAL PUMPS
 on 3 Pump Bracket**

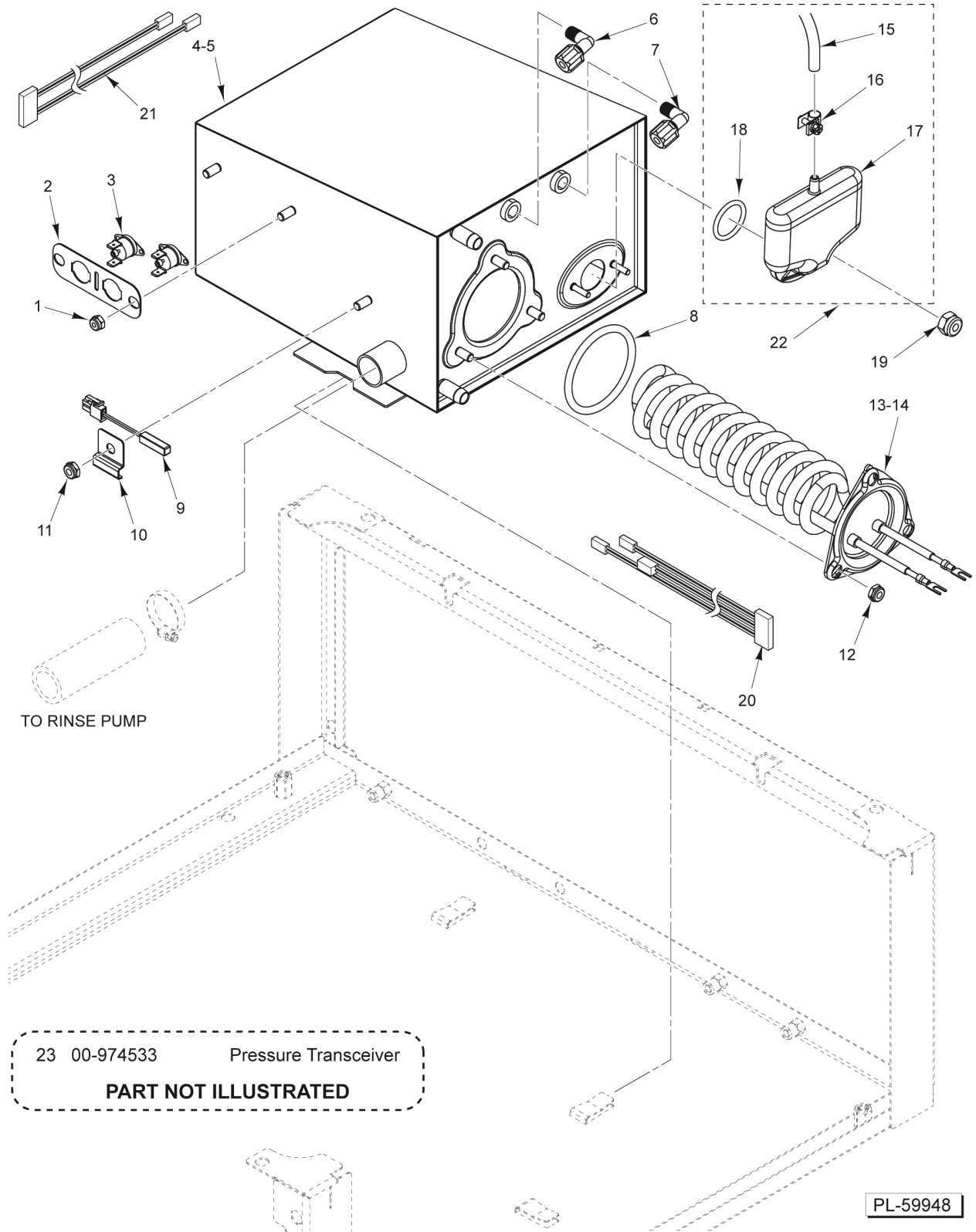
PL-59947

CHEMICAL PUMPS AND SENSORS

CHEMICAL PUMPS AND SENSORS

ILLUS.	PART NO.	NAME OF PART	AMT.
PL-59947			
1	00-950372-00002	Sensor (Chemical) (Detergent/Sanitizer).....	1
2	00-950372-00003	Sensor (Chemical) (Rinse Aid).....	1
3	SD-039-64	Self-Tapping Screw.....	AR
4	00-941758	Bracket - Chemical Pump.....	1
5	00-185105-00029	Tubing (Black) (144 In.) (Supply to Delime Pump).....	AR
6	00-185105-00004	Tube - Clear (Supply to Pump) (1/4 O.D. x 144 Lg.) (Pump to Sanitizer).....	AR
7	00-185105-00004	Tube - Clear (Supply to Pump) (1/4 O.D. x 144 Lg.) (Pump to R/A Cold).....	AR
8	00-185105-00004	Tube - Clear (Supply to Pump) (1/4 O.D. x 144 Lg.) (Pump to R/A Hot).....	AR
9	00-185105-00004	Tube - Clear (Supply to Pump) (1/4 O.D. x 144 Lg.) (Pump to Delime Cold).....	AR
10	00-113156-00001	Clamp - Spring Action Hose.....	2
11	00-949651-00001	Tubing (Used on Welco Pumps Only).....	AR
12	00-941638-00002	Pump - Chemical (Blue) (Incls. Item 11).....	1
13	00-941638-00004	Pump - Chemical (Green) (Delime) (Advansys Only) (Incls. Item 11).....	1
14	SD-035-77	Self-Tapping Screw 1/4-20 x 3/8 Phil. Pan Hd., Type TT.....	AR
15	00-941632	Bracket - Chemical Pump.....	1
16	SD-010-26	Screw.....	4
*17	00-974108-00001	Kit - Conversion (ANKO to WELCO Pumps) (Blue Pump) (Incls. Items 10, 18, & 19)	1
18	00-950661	Bracket - Conversion (ANKO to WELCO).....	1
19	00-941638-00002	Pump - Chemical (Blue).....	1
*20	00-974108-00002	Kit - Conversion (ANKO to WELCO Pumps) (Green Pump) (Incls. Items 10, 21, & 22)	1
21	00-950661	Bracket - Conversion (ANKO to WELCO) (Bend per instructions).....	1
22	00-941638-00004	Pump - Chemical (Green).....	1
23	SD-039-64	Self-Tapping Screw.....	3
24	00-941871	Harness - Wire (Chemical Pumps & Sensors).....	1
25	00-941876	Harness - Wire (Delime Pump) (Advansys Only).....	1
26	00-185105-00006	Tube - Blue (Supply to Pump) (1/4 O.D. x 144 Lg.) (Supply to R/A pump).....	1
27	00-185105-00002	Tube - Red (Supply to Pump) (1/4 O.D. x 144 Lg.) (Supply to Detergent pump).....	1
**28	00-975025	Assy. - Foot Valve (Incls. Item 29).....	1
**29	00-975029	Valve - Foot.....	1
**30	00-975024	Assy. - Suction Strainer.....	1
***31	00-185112	Stand Pipe 20-1/2 Lg.....	1
***32	00-185111-00002	Clamp - Hose 7/16.....	1

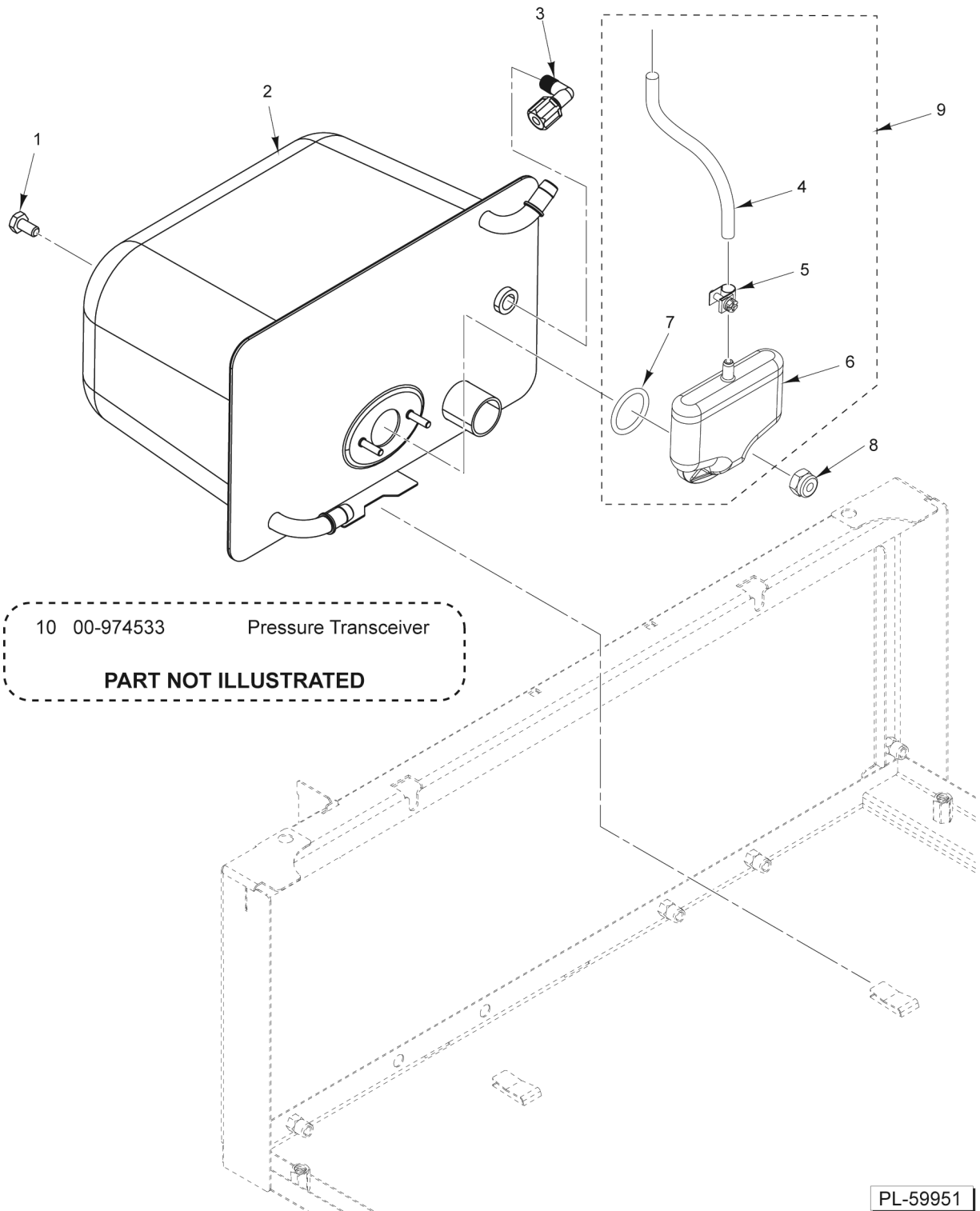
* (Kit contains one pump & one bracket.)
 ** (SN 231191701 & After)
 *** (Before SN 231191701)



BOOSTER ASSEMBLY (HOT)

BOOSTER ASSEMBLY (HOT)

ILLUS.	PART NO.	NAME OF PART	AMT.
PL-59948			
1	NS-047-82	Stop Nut 1/4-20 Hex (SST).....	2
2	00-941630	Bracket - High Limit.....	1
3	00-942185	Protector - High Limit.....	2
4	00-941776-00001	Booster - Weldment.....	1
5	00-941776-00002	Booster - Weldment (Advansys).....	1
6	FP-087-46	Fitting - Tube 1/4.....	1
7	FP-087-46	Fitting - Tube 1/4 (Advansys).....	1
8	00-067500-00034	O-Ring.....	1
9	00-941747	Thermistor.....	1
10	00-941793	Bracket - Thermistor.....	1
11	NS-047-82	Stop Nut 1/4-20 Hex (SST).....	1
12	NS-047-82	Stop Nut 1/4-20 Hex (SST).....	3
13	00-941770-00001	Element - Heater (208-240 V., 1 Ph.).....	1
14	00-941770-00002	Element - Heater (208-240 V., 3 Ph.).....	1
15	00-974388-00004	Tube - PVC.....	1
16	00-113156-00001	Clamp - Spring Action Hose.....	2
17	00-942151-00001	Trap - Air.....	1
18	OR-001-21	O-Ring.....	1
19	NS-047-82	Stop Nut 1/4-20 Hex (SST).....	2
20	00-941873	Harness - Wire (Temperature Probes).....	1
21	00-941872	Harness - Wire (High Limit).....	1
22	00-950051-00002	Kit - Tubing (Incls. Item 15, 16, 17, 18, 23).....	1
23	00-974533	Pressure Transducer.....	1

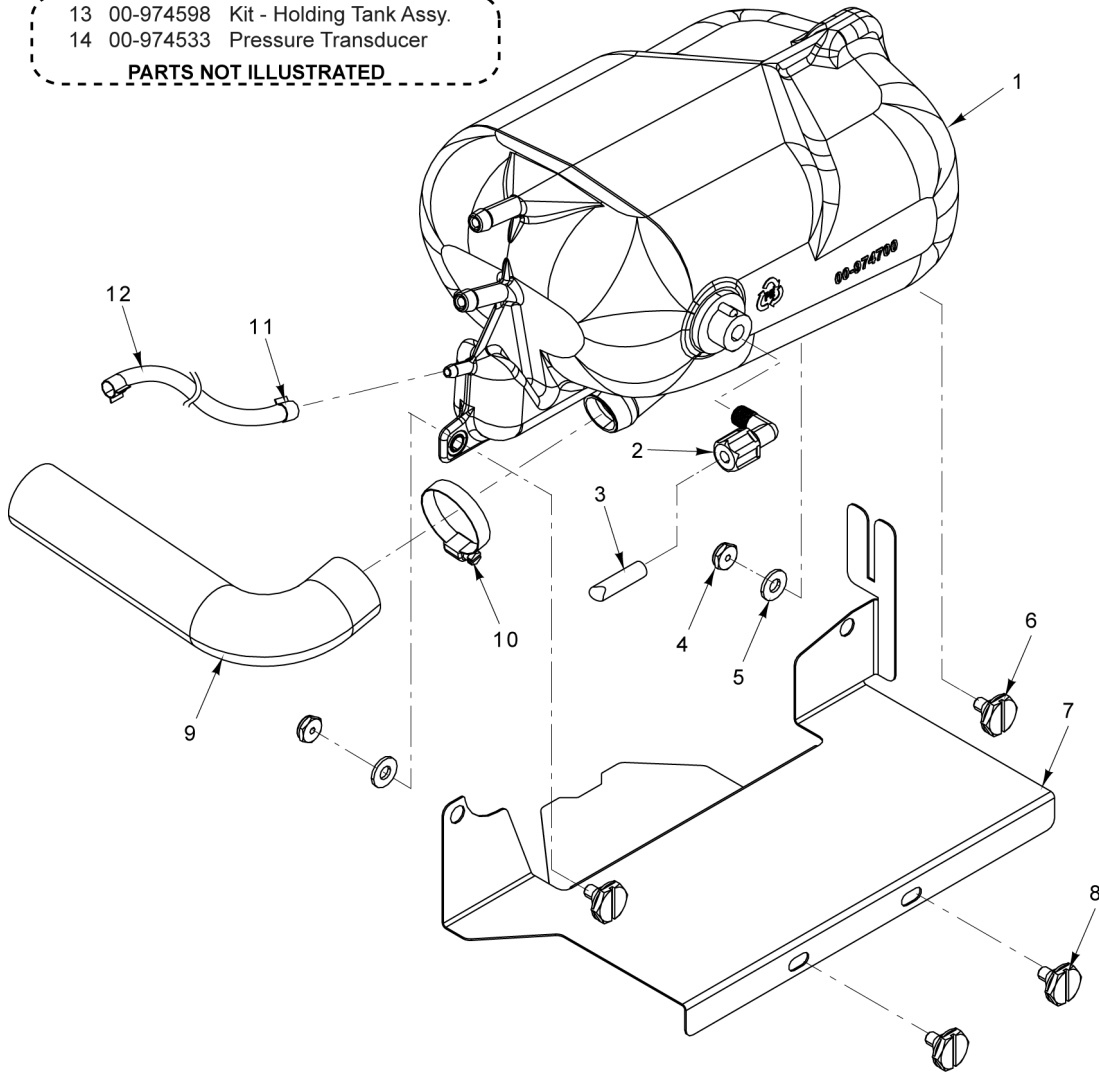


**RECOVERY TANK ASSEMBLY
(COLD) METAL TANK**

**RECOVERY TANK ASSEMBLY
(COLD) METAL TANK**

ILLUS. PL-59951	PART NO.	NAME OF PART	AMT.
1	SC-041-50	Cap Screw 1/4-20 x 1/2 Hex Hd. (SST).....	2
2	00-941763	Booster - Recovery.....	1
3	FP-087-46	Fitting - Tube 1/4.....	1
4	00-974388-00004	Tube - PVC.....	1
5	00-113156-00001	Clamp - Spring Action Hose.....	2
6	00-942151-00001	Trap - Air.....	1
7	OR-001-21	O-Ring.....	1
8	NS-031-08	Stop Nut 8-32 Special (SST).....	2
9	00-950051-00002	Kit - Tubing (Incls. Items 4 5, 6, 7, 10).....	1
10	00-974533	Pressure Transducer.....	1

13 00-974598 Kit - Holding Tank Assy.
14 00-974533 Pressure Transducer
PARTS NOT ILLUSTRATED



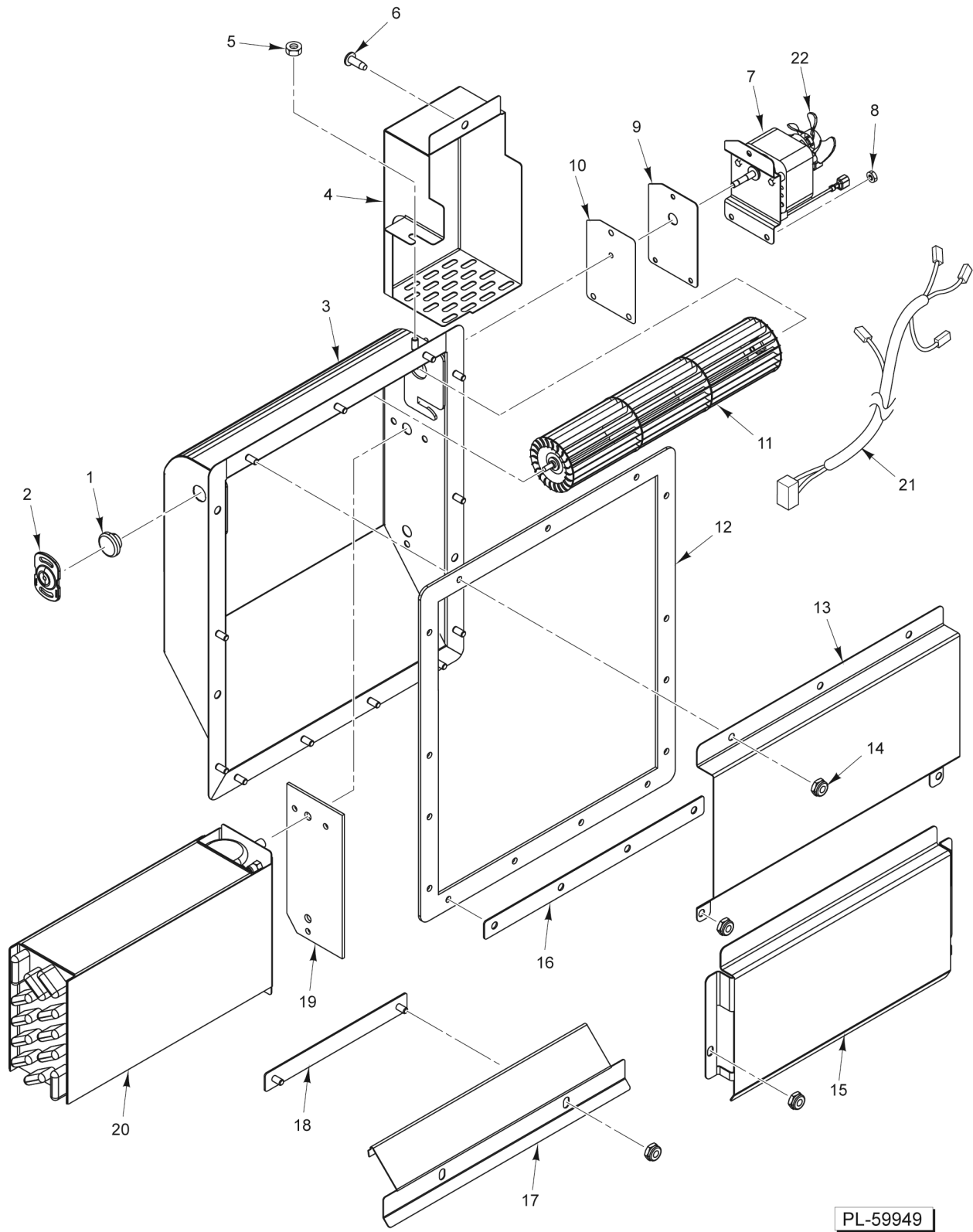
PL-65059

**RECOVERY TANK ASSEMBLY
(COLD) MOLDED TANK**

**RECOVERY TANK ASSEMBLY
(COLD) MOLDED TANK**

ILLUS.	PART NO.	NAME OF PART	AMT.
PL-65059			
1	00-974700	Tank - Recovery.....	1
2	FP-087-46	Fitting - Tube 1/4.....	1
3	00-185105-00043	Tube - Pump to Recover Assy.....	1
4	NS-047-82	Stop Nut 1/4-20 Hex (SST).....	2
5	WS-017-06	Washer (SST).....	2
6	SC-041-05	Cap Screw 1/4-20 x 5/8 Hex Hd. (SST).....	2
7	00-974692	Mount - Booster.....	1
8	SC-041-50	Cap Screw 1/4-20 x 1/2 Hex Hd. (SST).....	2
9	00-974599	Hose - Rinse Pump Inlet.....	1
10	00-557627	Clamp - Hose.....	1
11	00-113156-00001	Clamp - Spring Action Hose.....	2
12	00-974388-00003	Tube - PVC (28").....	1
*13	00-974598-00002	Kit - Holding Tank Assy. (Incls. Items 1 thru 12).....	1
14	00-974533	Pressure Transducer.....	1

* Order Kit to Replace SST Tank Only. Order Failed Components if Molded Tank is Installed



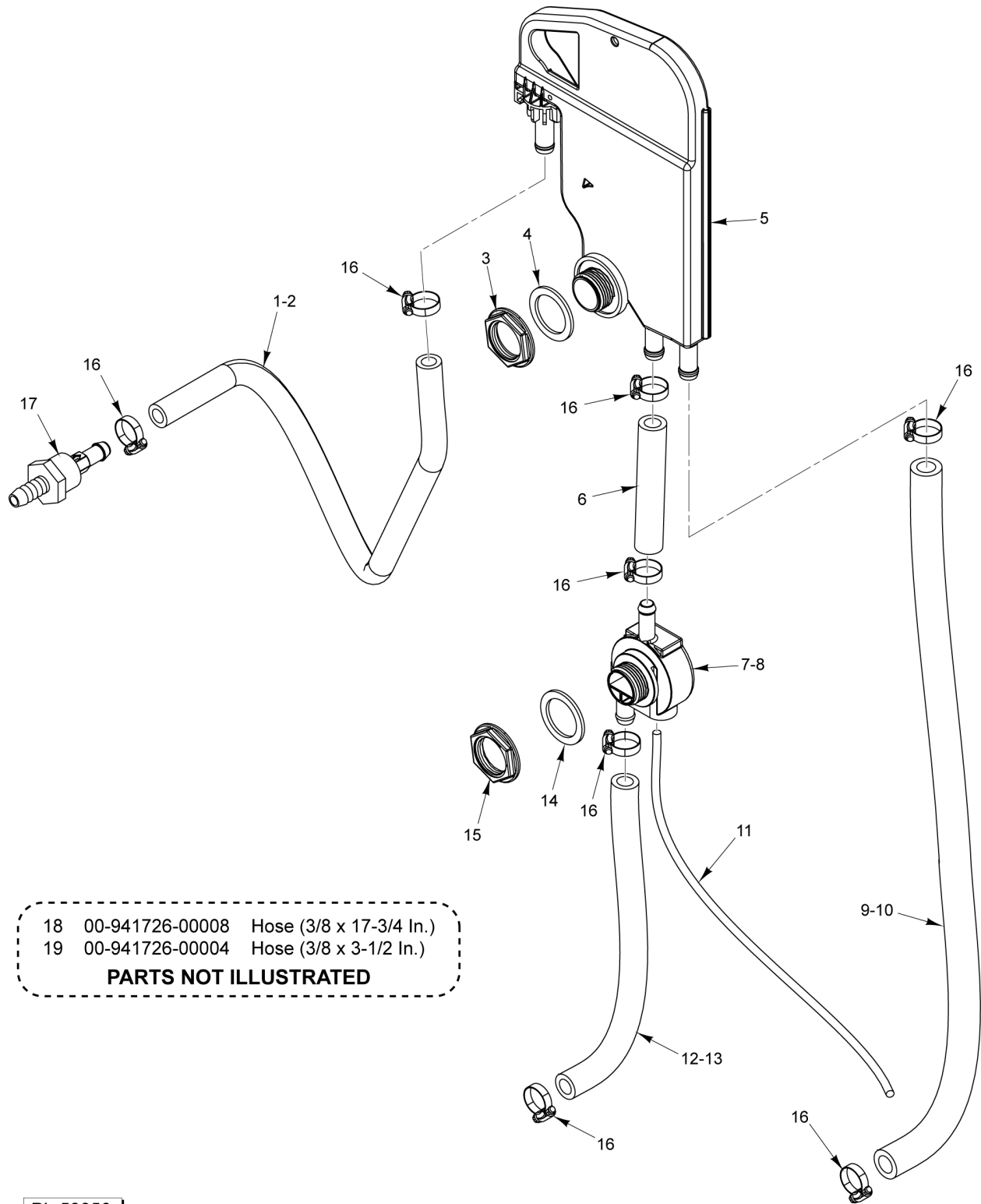
PL-59949

VAPOR ELIMINATOR ASSEMBLY

VAPOR ELIMINATOR ASSEMBLY

ILLUS. PL-59949	PART NO.	NAME OF PART	AMT.
1	00-941452	Bearing - Fan Wheel.....	1
*2	00-975019	Kit - Bearing Cover (Incls. Item 1).....	1
3	00-941417	Enclosure - Vapor Condenser.....	1
4	00-941558	Cover - Motor.....	1
5	NS-047-82	Stop Nut 1/4-20 Hex (SST).....	1
6	SC-041-50	Cap Screw 1/4-20 x 1/2 Hex Hd. (SST).....	1
7	00-941538	Motor Assy. (Incls. Item 22).....	1
8	NS-031-15	Stop Nut 10-24 Hex (SST).....	3
9	00-941535	Plate - Seal.....	1
10	00-941536	Seal - Fan Shaft.....	1
11	00-941451	Wheel - Fan.....	1
12	00-941537	Seal - Vapor Box.....	1
13	00-941564	Baffle - Upper.....	1
14	NS-047-82	Stop Nut 1/4-20 Hex (SST).....	AR
15	00-941565	Baffle - Lower.....	1
16	00-941412	Plate - Reinforcement.....	1
17	00-941446	Channel - Fan.....	1
18	00-941749	Mount - Fan Channel.....	1
19	00-941533	Seal - Heat Exchanger.....	1
20	00-941531	Heat Exchanger - Vapor Eliminator.....	1
21	00-941884	Harness - Wire (Steam Elimination).....	1
22	00-949859	Fan - Cooling.....	1

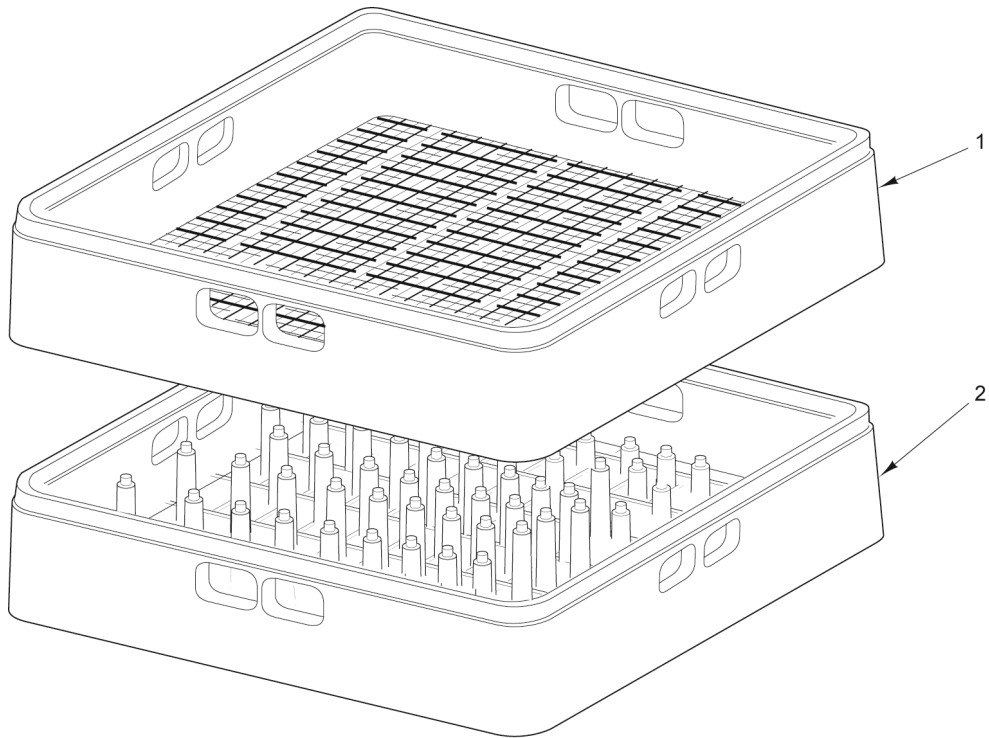
* SN 231191888 & After



FILL AIR GAP

FILL AIR GAP

ILLUS.	PART NO.	NAME OF PART	AMT.
PL-59950			
1	00-941726-00001	Hose 3/8 (23.62 In. Lg.) (Base).....	1
2	00-941726-00007	Hose 3/8 (15 In. Lg.) (Advansys).....	1
3	00-974952	Nut - Adapter.....	1
4	00-941940	Washer - Air Gap.....	1
5	01-297510-00001	Air Gap.....	1
6	00-941726-00004	Hose 3/8 (3.5 In. Lg.).....	1
7	00-941772-00001	Adapter - Chemical.....	1
8	00-941772-00002	Adapter - Chemical (Cold) (Advansys).....	1
9	00-941726-00002	Hose 3/8 (19.25 In. Lg.) (Hot).....	1
10	00-941726-00005	Hose 3/8 (25 In. Lg.) (Cold).....	1
11	00-185105-00030	Tubing (Clear) (17.5 In.) (Pump to Detergent).....	AR
12	00-941726-00003	Hose 3/8 (9 In. Lg.) (Hot).....	1
13	00-941726-00003	Hose 3/8 (9 In. Lg.) (Cold).....	1
14	00-941940	Washer - Air Gap.....	1
15	00-974952	Nut - Adapter.....	1
16	00-558090	Clamp.....	AR
17	00-941416	Restrictor - Flow (Advansys LXeR & LXeSR).....	1
18	00-941726-00008	Hose 3/8 (17.75 In. Lg.).....	1
19	00-941726-00004	Hose 3/8 (3.5 In. Lg.).....	1



3	00-329313	Paper - Litmus (Vial)
4	00-947876	Base - LXe (Complete)
5	00-293624-00002	Sleeve/Foot - Leg Assy. (6 In.)
6	00-974427-00001	Cover - Spray Rack
7	00-974427-00002	Cover - Spray
8	00-948141	LXe 17 In. Stand W/Legs
9	00-950693-00001	Caster Assy. (Individual)
10	00-948383	Caster Kit (Adjustable)
11	00-950266	Rack - Glass

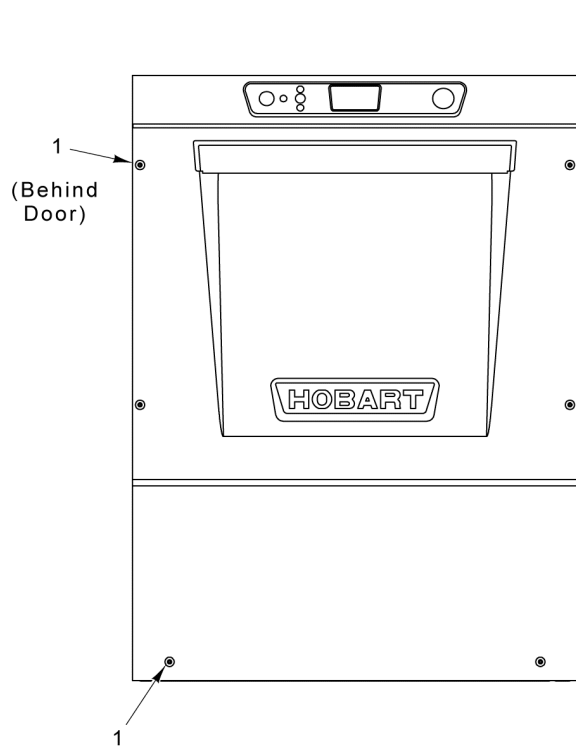
PARTS NOT ILLUSTRATED

PL-60917

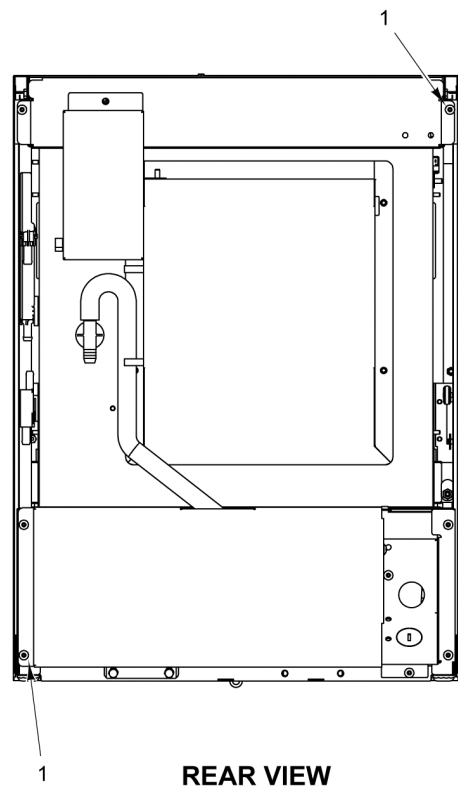
MISCELLANEOUS

MISCELLANEOUS

ILLUS.	PART NO.	NAME OF PART	AMT.
PL-60917			
1	00-315193	Rack - Combination (Packaged).....	1
2	00-315191	Rack - Peg (Packaged).....	1
3	00-329313	Paper - Litmus (Vial) (100 Strips 2-1/4 Lg.).....	1
4	00-947876	Base - LXe, Complete.....	1
5	00-293624-00002	Sleeve/Foot, Leg Assy, 6".....	1
6	00-974427-00001	Cover, Spray, Rack.....	1
7	00-974427-00002	Cover, Spray.....	1
8	00-948141	LXe 17 Inch Stand W/Legs.....	1
9	00-950693-00001	Caster Assy (Individual).....	1
10	00-948383	Caster Kit (Adjustable).....	1
11	00-950266	Rack, Glass.....	1



FRONT VIEW



REAR VIEW

PL-60916

CORRECTIONAL PARTS PACKAGE

CORRECTIONAL PARTS PACKAGE

ILLUS.	PART NO.	NAME OF PART	AMT.
PL-60916 1	SC-121-72	Mach. Screw 1/4-20 x 1/2 Tx. Button Hd. (SST) (Prison Package).....	13

