

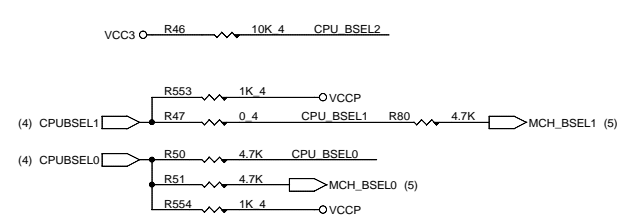
**SEL\_SRC0 (Pin 17,18) (R4)**  
 0: LCDCLK Pair  
 1: SRCCLK0 pair

**SEL\_SATA (Pin 26,27) (R44)**  
 0: Clock from SRC PLL  
 1: Clock from SATA PLL

**SEL\_LCD (Pin 17,18) (R6)**  
 0: 27MHZSS/27MHZSS# pair (M24/M26)  
 1: LCDCLK pair (915GM)

**ITP\_EN Function (Pin 35,36) (R15)**  
 0: SRC\_7 Pair (Pin 35,36)  
 1: CPU\_2\_ITP Pair (Pin 35,36)

**IREF (Pin 39) :**  
 475/1% : Sets the IREF current to 2.32mA



FSC BSEL0	FSB BSEL1	FSA BSEL2	CPU	SRC	PCI	REF	USB	DOT	Spread %
0	0	0	266.66	100	33.33	14.318	48	96	0.5 Down
* 0	0	1	133.33	100	33.33	14.318	48	96	0.5 Down
0	1	0	200.00	100	33.33	14.318	48	96	0.5 Down
0	1	1	166.66	100	33.33	14.318	48	96	0.5 Down
1	0	0	333.33	100	33.33	14.318	48	96	0.5 Down
* 1	0	1	100.00	100	33.33	14.318	48	96	0.5 Down
1	1	0	400.00	100	33.33	14.318	48	96	0.5 Down
1	1	1	200.00	100	33.33	14.318	48	96	0.5 Down

**LCDCLK Spread and Frequency Selection Table (SEL\_LCD) :**

SEL_LCD	SS3	SS2	SS1	SS0	VCO MHZ	17,18 MHZ	Spread %	SEL_LCD	SS3	SS2	SS1	SS0	VCO MHZ	17,18 MHZ	Spread %
1	0	0	0	0	500	100	+/-1.5	0	0	0	0	0	864	27	+/-0.25
1	0	0	0	1	500	100	+/-1.25	0	0	0	0	1	864	27	+/-0.5
1	0	0	1	0	500	100	+/-1.0	0	0	0	1	0	864	27	+/-0.75
1	0	0	1	1	500	100	+/-0.8	0	0	0	1	1	864	27	+/-1
1	0	1	0	0	500	100	+/-0.6	0	0	1	0	0	864	27	+/-1.25
1	0	1	0	1	500	100	+/-0.5	0	0	1	0	1	864	27	+/-1.5
1	0	1	1	0	500	100	+/-0.4	0	0	1	1	0	864	27	+/-1.75
1	0	1	1	1	500	100	+/-0.3	0	0	1	1	1	864	27	+/-2
1	1	0	0	0	500	100	3	0	1	0	0	0	864	27	-0.5
1	1	0	0	1	500	100	2.5	0	1	0	0	1	864	27	-1
1	1	0	1	0	500	100	2	0	1	0	1	0	864	27	-1.25
1	1	0	1	1	500	100	1.75	0	1	0	1	1	864	27	-1.5
1	1	1	0	0	500	100	1.5	0	1	1	0	0	864	27	-1.75
1	1	1	0	1	500	100	1.25	0	1	1	0	1	864	27	-2
1	1	1	1	0	500	100	1	0	1	1	1	0	864	27	-2.5
1	1	1	1	1	500	100	0.8	0	1	1	1	1	864	27	-3

**SATA Spread and Frequency Selection Table (SEL\_SATA) :**

SEL_SATA	SS3	SS2	VCO MHZ	27,26 MHZ	Spread %
1	0	0	tbd	100	-0.2 Down
1	0	1	tbd	100	-0.3 Down
1	1	0	tbd	100	-0.4 Down
1	1	1	tbd	100	-0.5 Down

Signal		915GM	915PM
CLK_PCIE_M24	RP32	NI	33X2
	R11	NI	49.9/F_4
	R12	NI	49.9/F_4
DREFSSCLK	RP36	33X2	NI
	R24	49.9/F_4	NI
	R25	49.9/F_4	NI
DREFCLK	RP37	33X2	NI
	R28	49.9/F_4	NI
	R29	49.9/F_4	NI
DREFSSCLK	R528	NI	121
	R529	NI	33
R_PCLK_ICh6	R6	NI	10K_4

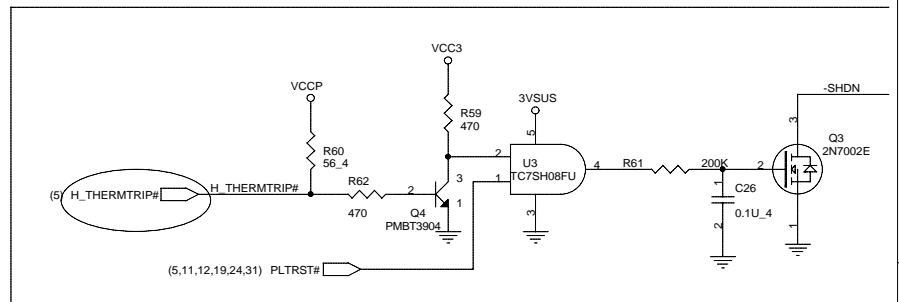
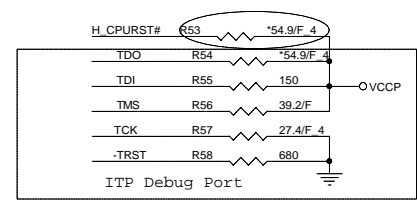
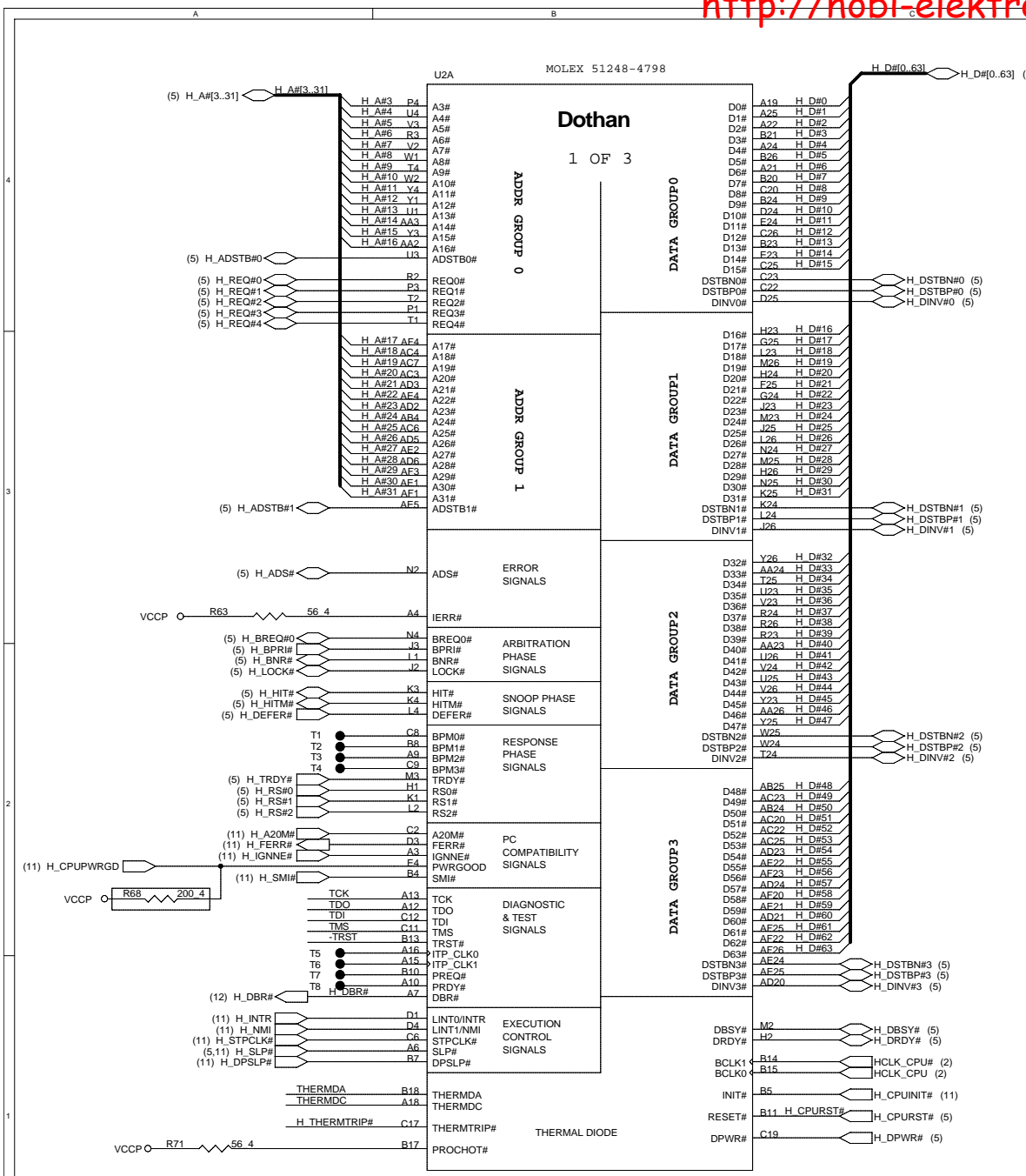
**QUANTA COMPUTER**

Title: **CLOCK GENERATOR**

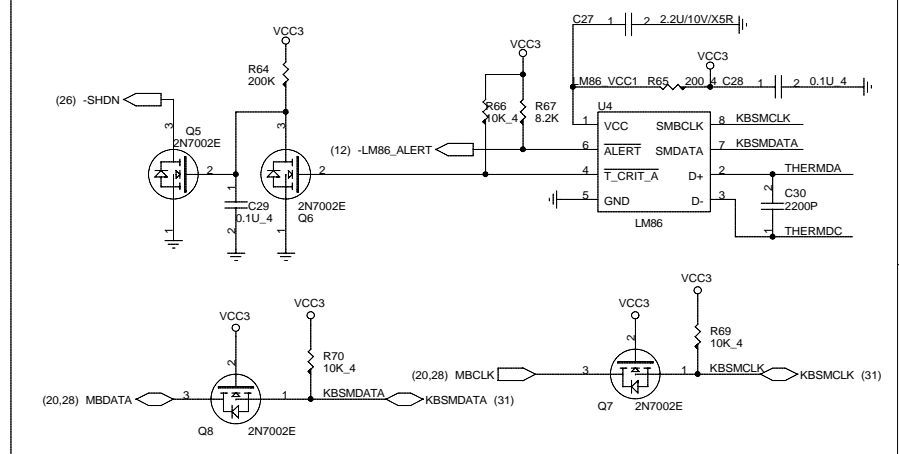
Size: Document Number  
 Custom: **RJ1 Main Board** Rev 1A

Date: Tuesday, May 10, 2005 Sheet 2 of 36

1. This part should not contain any substances which are specified in SS-00259-1  
 2. Purchase ink, paint, wire rods and molding resins only from the business partners that Sony approves as Green Partners.



### Thermal Sensor

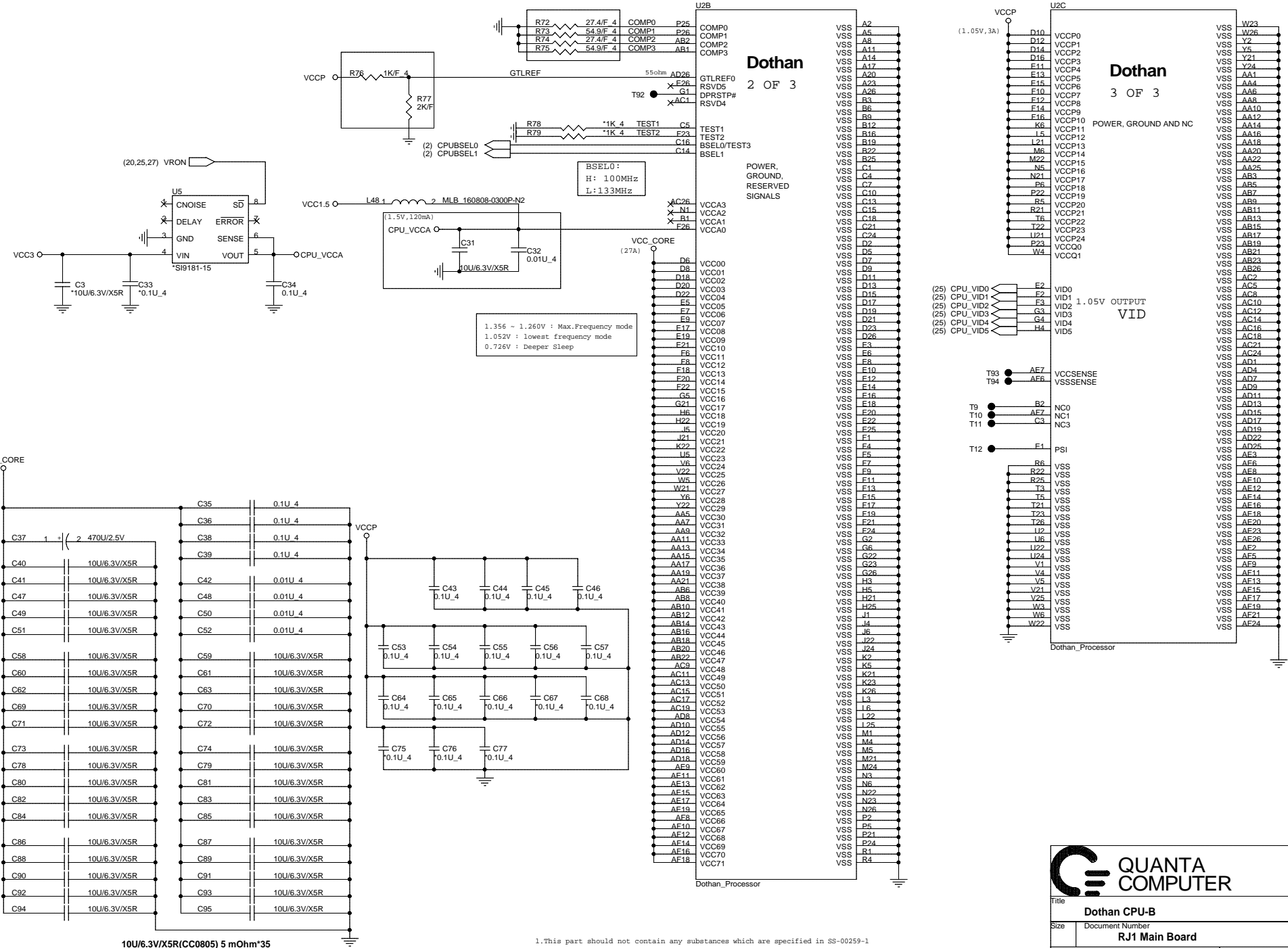


**QUANTA COMPUTER**

Title: **Dothan CPU - A**

Size: Document Number  
 Custm: **RJ1 Main Board**  
 Date: Tuesday, May 10, 2005 Sheet 3 of 36

1. This part should not contain any substances which are specified in SS-00259-1  
 2. Purchase ink, paint, wire rods and molding resins only from the business partners that Sony approves as Green Partners.



Dothan  
2 OF 3

Dothan  
3 OF 3

1.356 ~ 1.260V : Max.Frequency mode  
 1.052V : lowest frequency mode  
 0.726V : Deeper Sleep

POWER, GROUND AND NC

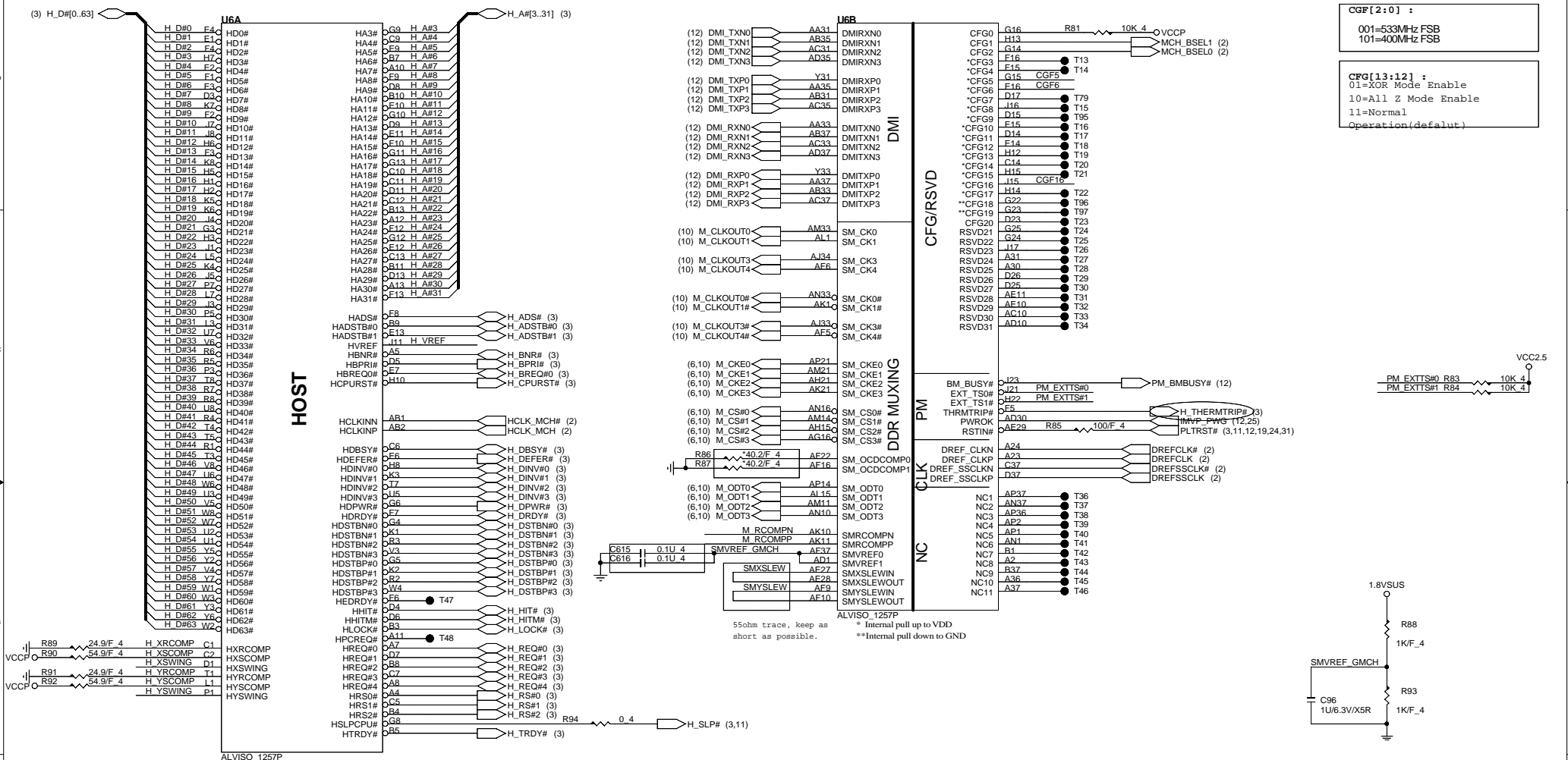
1.05V OUTPUT  
VID

Dothan\_Processor



Title <b>Dothan CPU-B</b>		
Size	Document Number	Rev 1A
Date: Tuesday, May 10, 2005 Sheet 4 of 36		

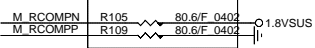
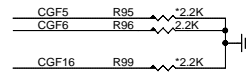
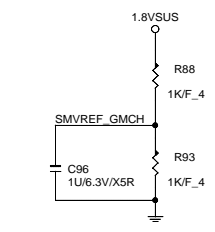
1.This part should not contain any substances which are specified in SS-00259-1  
 2.Purchase ink, paint, wire rods and molding resins only from the business partners that Sony approves as Green Partners.



CGF[2:0] :  
001=533MHz FSB  
101=400MHz FSB

CFG[13:12] :  
01=XOR Mode Enable  
10=All Z Mode Enable  
11=Normal  
Operation (default)

VCC2.5  
PM\_EXTTSS#0 R83 10K 4  
PM\_EXTTSS#1 R84 10K 4



	Low	High
CGF5	DMi2	DMi4
CGF6	DDR II	DDR
CGF7	CPU type: DT/Transportable	CPU type: Mobile CPU
CGF9	PCIe Graphics lan : Reverse Lane	PCIe Graphics lan : Normal operation
CGF16	Dynamic ODT Disabled	Dynamic ODT Enabled
CGF18	Alviso GMCH core: 1.05V	Alviso GMCH core: 1.5V
CGF19	VPP Voltage : 1.05V	VPP Voltage : 1.2V

Note:  
CFG[17:3] have internal pullup resistors.  
CFG[19:18] have internal pulldown resistors.

	H_SLP#
For Doathan A-X step	* 0
* For Doathan B-X step & later	0

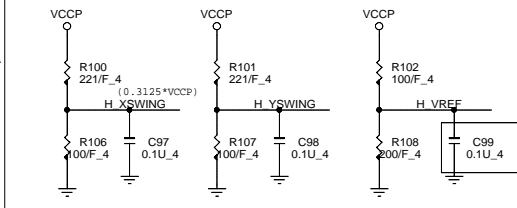
SDVOCTRL\_DATA :  
\* 0 : No SDVO Device Present (default)  
1 : SDVO Device Present

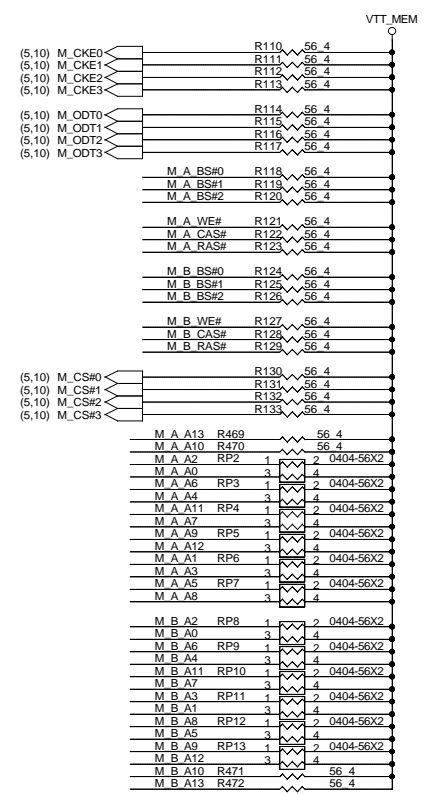
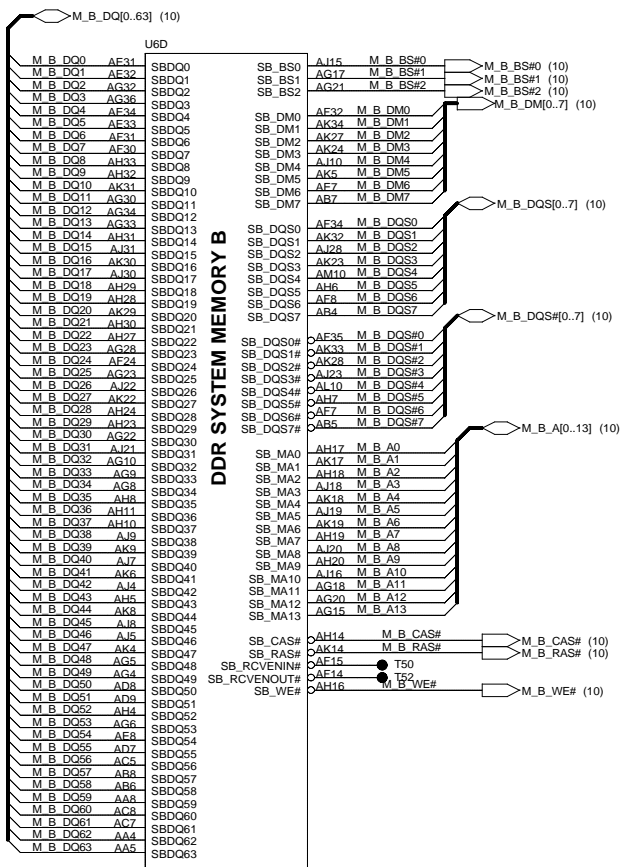
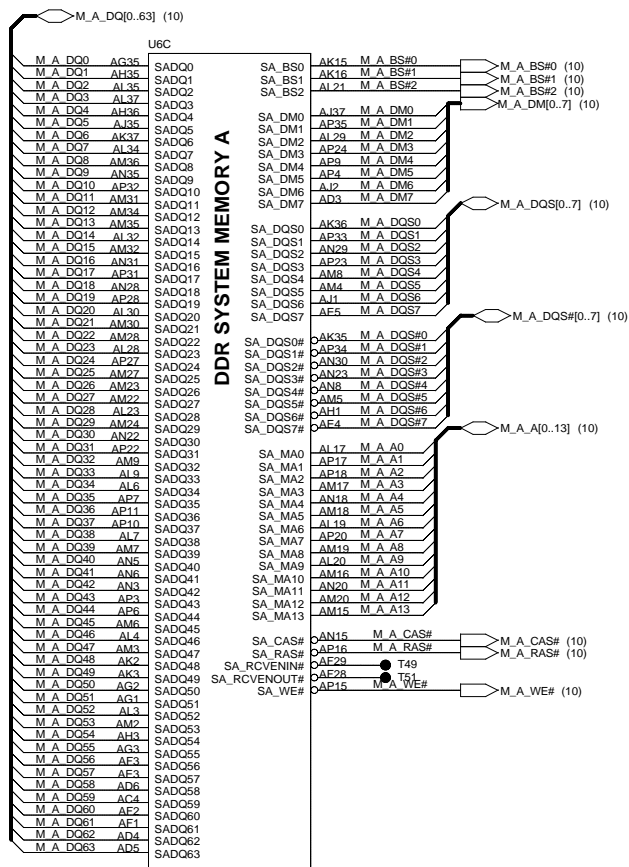
**QUANTA COMPUTER**

Title: **Alviso**

Size: Document Number: **RJ1 Main Board** Rev 2A

Date: Tuesday, May 10, 2005 Sheet 5 of 36

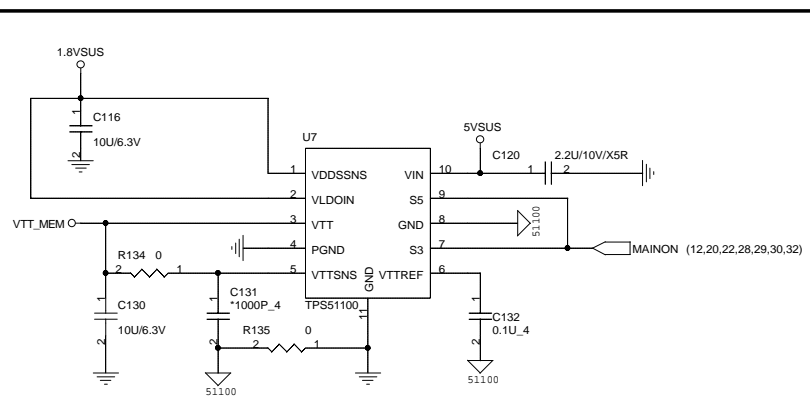




ALVISO\_1257P

ALVISO\_1257P

VTT_MEM	Value	Quantity	Footprint
C100	*10U/6.3V/X5R		
C102	0.1U 4		
C103	0.1U 4		
C104	0.1U 4		
C105	0.1U 4		
C106	0.1U 4		
C107	0.1U 4		
C108	0.1U 4		
C109	0.1U 4		
C110	0.1U 4		
C111	*0.1U 4		
C112	*0.1U 4		
C113	0.1U 4		
C114	0.1U 4		
C115	0.1U 4		
C117	0.1U 4		
C118	0.1U 4		
C119	*0.1U 4		
C121	0.1U 4		
C122	0.1U 4		
C123	0.1U 4		
C124	*0.1U 4		
C125	0.1U 4		
C126	0.1U 4		
C127	0.1U 4		
C128	*0.1U 4		
C129	0.1U 4		
M B A10	R471	3	2 0404-56X2
M B A13	R472	3	2 0404-56X2



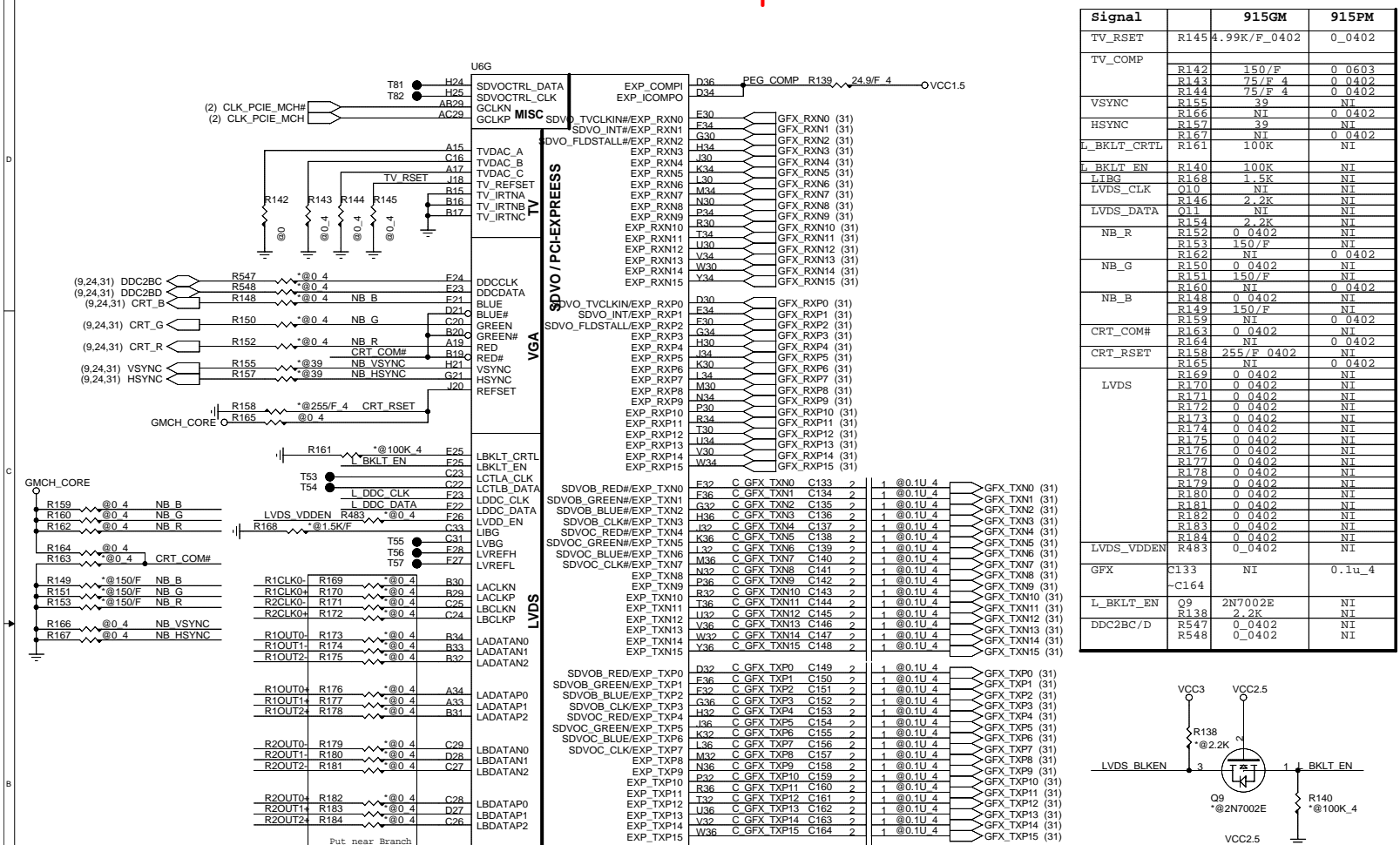
**QUANTA COMPUTER**

Title: **Alviso-DDRII**

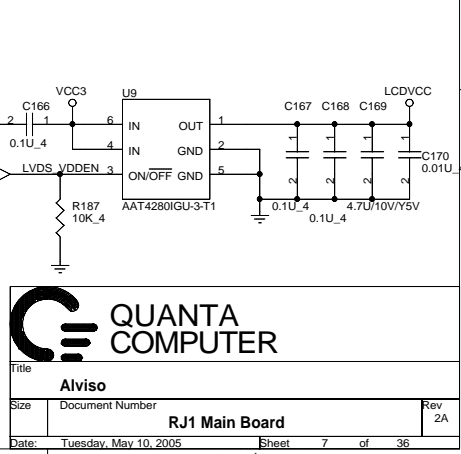
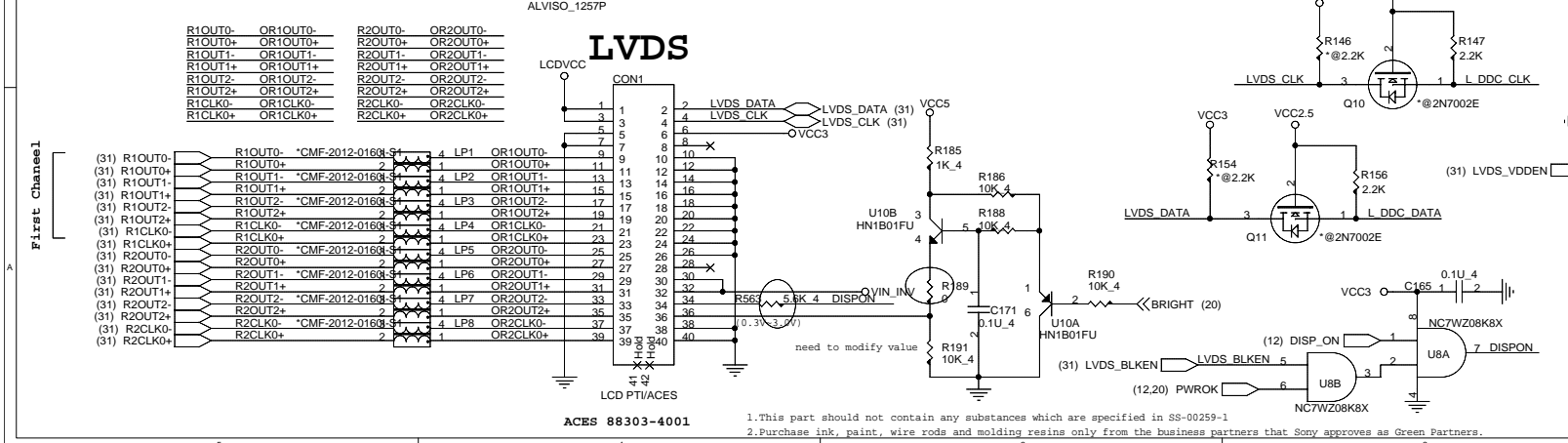
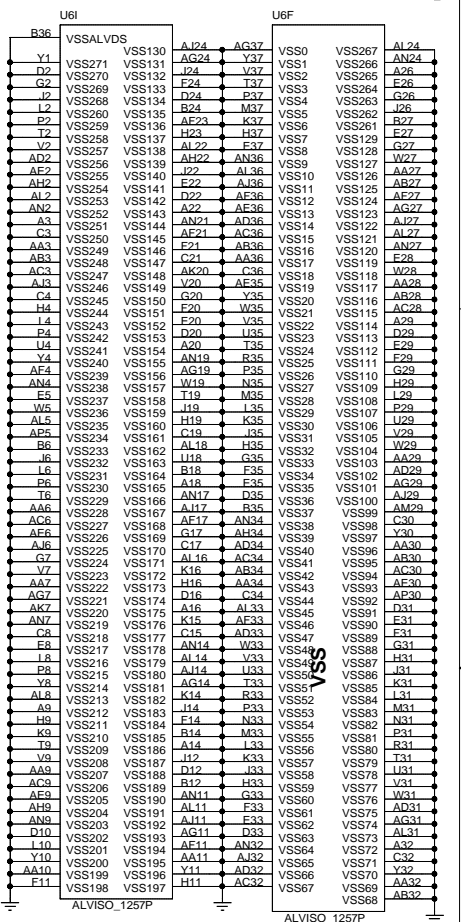
Size: \_\_\_\_\_ Document Number: \_\_\_\_\_ Rev: 1A

**RJ1 Main Board**

Date: Tuesday, May 10, 2005 Sheet 6 of 36



Signal	915GM	915PM
TV_RESET	R145 4.99K/F_0402	0_0402
TV_COMP	R142 150/F	0_0603
	R143 75/F 4	0_0402
	R144 75/F 4	0_0402
VSYNC	R155 39	NI
	R156 NI	0_0402
	R157 39	NI
HSYNC	R167 NI	0_0402
	R161 100K	NI
L_BKLT_CRTL	R140 100K	NI
	R168 1.5K	NI
L_BKLT_EN	O10 NI	NI
	R146 2.2K	NI
LVDS_CLK	O11 NI	NI
	R154 2.2K	NI
LVDS_DATA	O12 NI	NI
	R153 150/F	NI
NB_R	R152 0_0402	NI
	R151 150/F	NI
	R162 NI	0_0402
NB_G	R150 0_0402	NI
	R148 0_0402	NI
NB_B	R149 150/F	NI
	R159 0_0402	0_0402
CRT_COM#	R163 0_0402	NI
	R164 NI	0_0402
CRT_RSET	R158 255/F 0402	NI
	R165 NI	0_0402
LVDS	R169 0_0402	NI
	R170 0_0402	NI
	R171 0_0402	NI
	R172 0_0402	NI
	R173 0_0402	NI
	R174 0_0402	NI
	R175 0_0402	NI
	R176 0_0402	NI
	R177 0_0402	NI
	R178 0_0402	NI
	R179 0_0402	NI
	R180 0_0402	NI
	R181 0_0402	NI
	R182 0_0402	NI
	R183 0_0402	NI
	R184 0_0402	NI
LVDS_VDDEN	R483 0_0402	NI
GFX	C133 NI	0.1u_4
	-C164	
L_BKLT_EN	Q9 2N7002E	NI
	R147 2.2K	NI
	R148 0_0402	NI
	R149 0_0402	NI



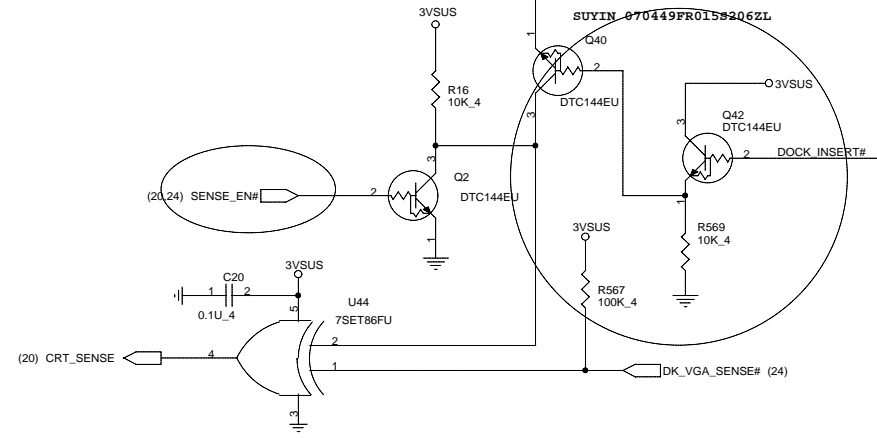
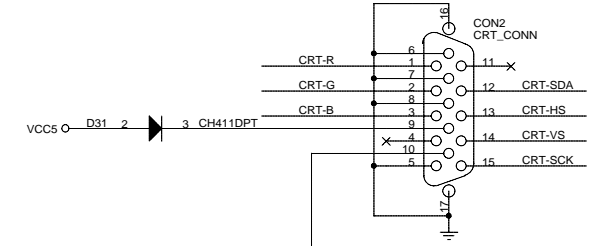
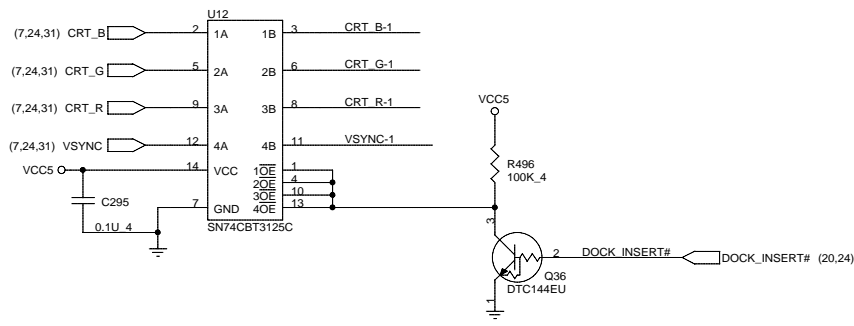
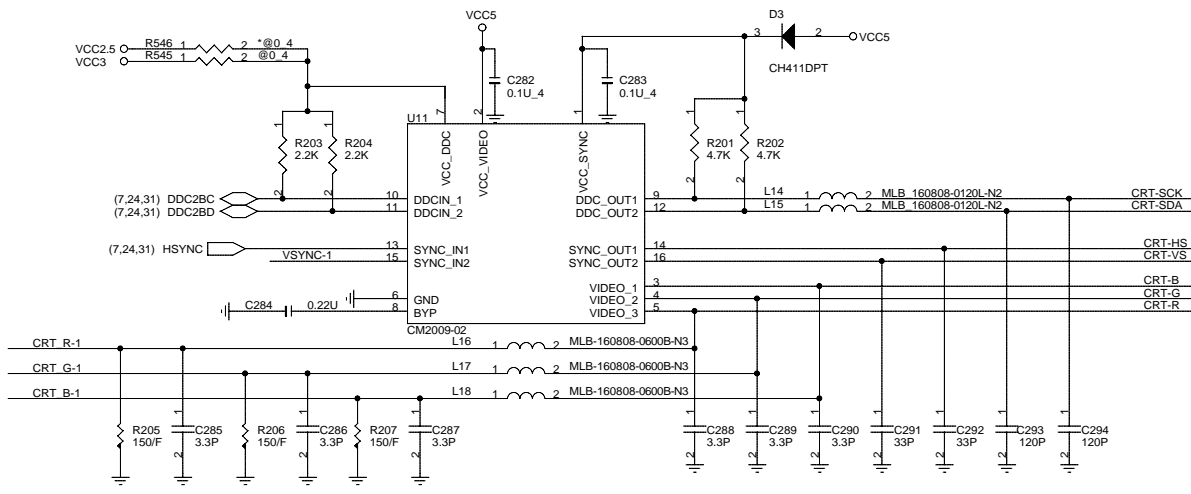
1. This part should not contain any substances which are specified in SS-00259-1  
 2. Purchase ink, paint, wire rods and molding resins only from the business partners that Sony approves as Green Partners.

**QUANTA COMPUTER**

Alviso  
 Size Document Number  
**RJ1 Main Board**  
 Date: Tuesday, May 10, 2005 Sheet 7 of 36 Rev 2A







	SENSE_EN#	MB CRT	DOCK CRT	DOCK DVI	CRT_SENSE
All no Plug	L	H	H	L	L
MB CRT Plug	L	L	H	L	H
DOCK CRT Plug	L	H	L	L	H
DOCK DVI Plug	L	H	H	H	H
SENSE EN	H	X	X	X	L
DOCK CRT/DVI Plug	L	H	L	H	L
DOCK CRT/MB CRT Plug	L	L	L	L	L

7SET86FU

A	B	Y
H	H	L
H	L	H
L	H	H
L	L	L

Signal		915GM	915PM
VCC_DDC	R545	NI	0_4
	R546	0_4	NI

**QUANTA COMPUTER**

Title: CRT

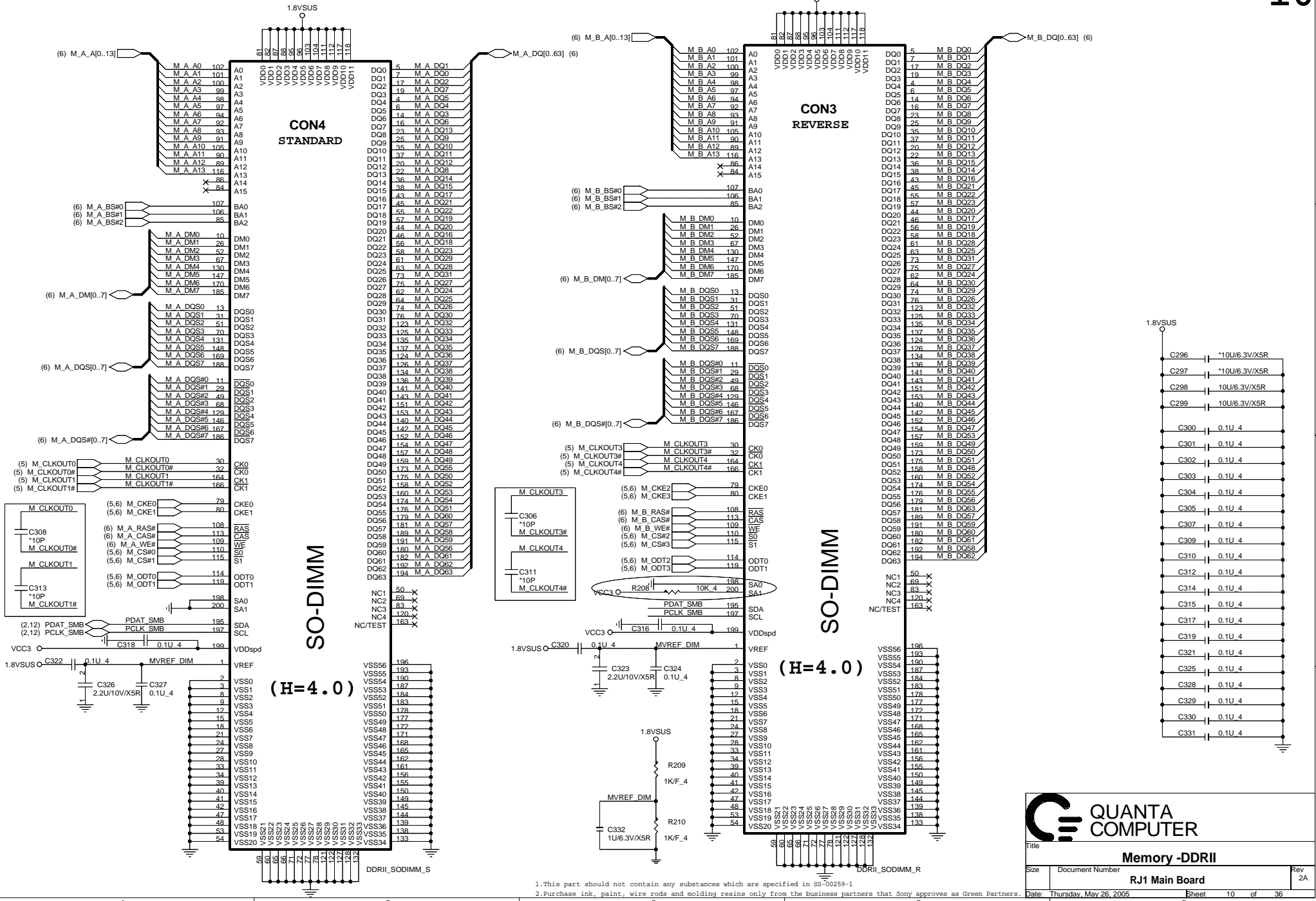
Size: Document Number

Rev: 2A

Date: Tuesday, May 10, 2005

Sheet: 9 of 36

1. This part should not contain any substances which are specified in SS-00259-1  
 2. Purchase ink, paint, wire rods and molding resins only from the business partners that Sony approves as Green Partners.



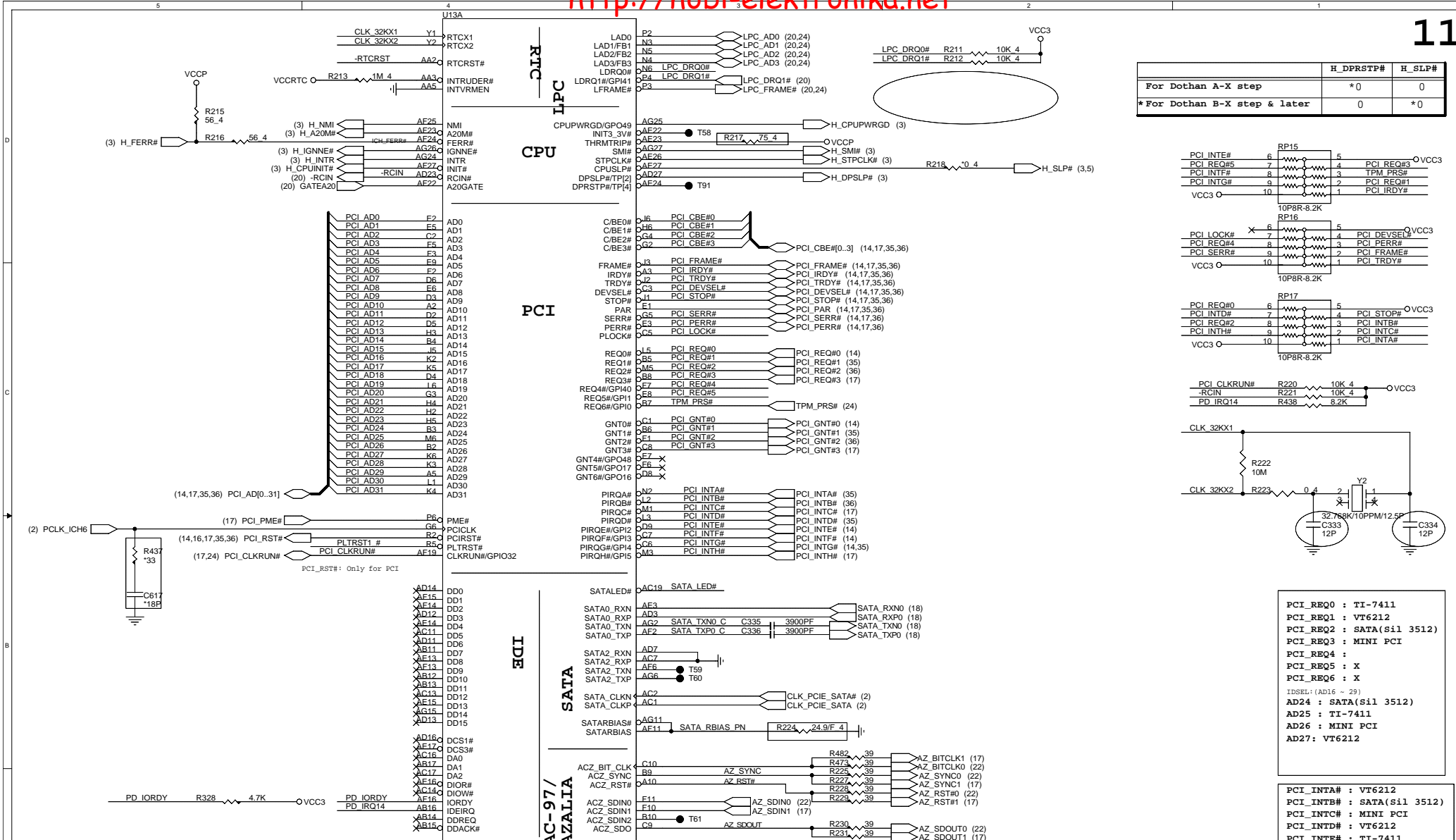
**QUANTA COMPUTER**

Title: **Memory -DDRII**

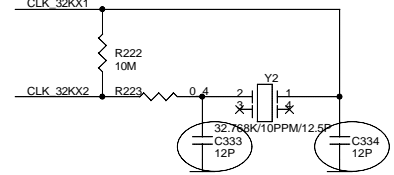
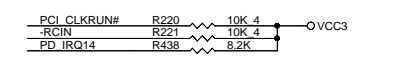
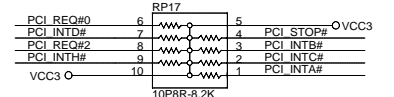
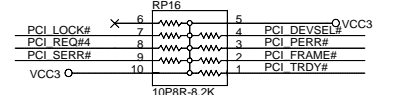
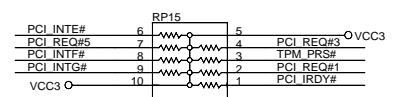
Size: Document Number: **RJ1 Main Board** Rev 2A

Date: Thursday, May 26, 2005 Sheet 10 of 36

1. This part should not contain any substances which are specified in SS-00259-1  
 2. Purchase ink, paint, wire rods and molding resins only from the business partners that Sony approves as Green Partners.

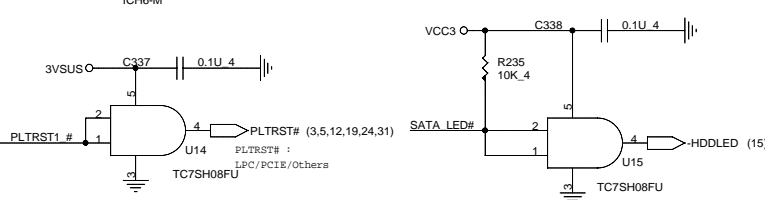
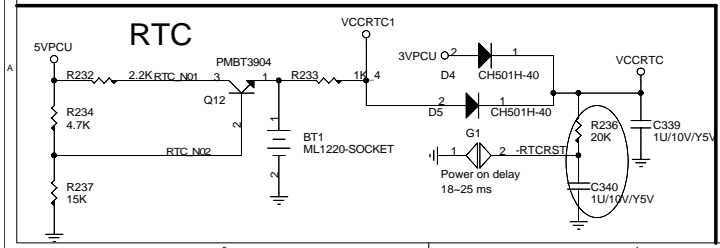


	H_DPRSTP#	H_SLP#
For Dothan A-X step	*0	0
*For Dothan B-X step & later	0	*0



**PCI\_REQ0** : TI-7411  
**PCI\_REQ1** : VT6212  
**PCI\_REQ2** : SATA(s11 3512)  
**PCI\_REQ3** : MINI PCI  
**PCI\_REQ4** : X  
**PCI\_REQ5** : X  
**PCI\_REQ6** : X  
 IDSEL: (AD16 ~ 29)  
**AD24** : SATA(s11 3512)  
**AD25** : TI-7411  
**AD26** : MINI PCI  
**AD27** : VT6212

**PCI\_INTA#** : VT6212  
**PCI\_INTB#** : SATA(s11 3512)  
**PCI\_INTC#** : MINI PCI  
**PCI\_INTD#** : VT6212  
**PCI\_INTE#** : TI-7411  
**PCI\_INTF#** : TI-7411  
**PCI\_INTG#** : TI-7411, VT6212  
**PCI\_INTH#** : MINI PCI



1. This part should not contain any substances which are specified in SS-00259-1  
 2. Purchase ink, paint, wire rods and molding resins only from the business partners that Sony approves as Green Partners.

**QUANTA COMPUTER**

Title: **ICH6-M**

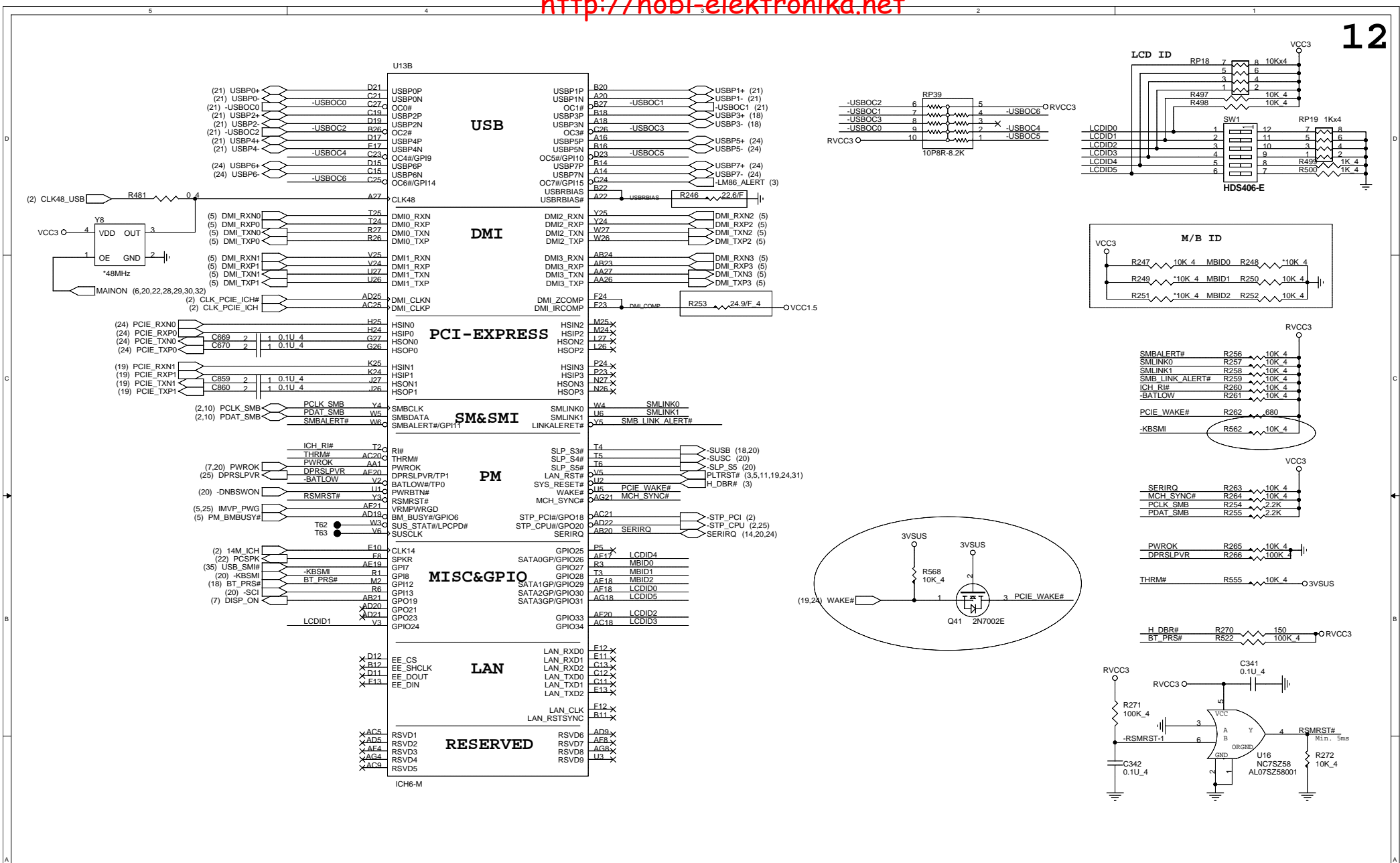
Size: Document Number

Rev: 2A

**RJ1 Main Board**

Date: Tuesday, May 10, 2005

Sheet 11 of 36



**QUANTA COMPUTER**

Title: ICH6-M

Size: Document Number

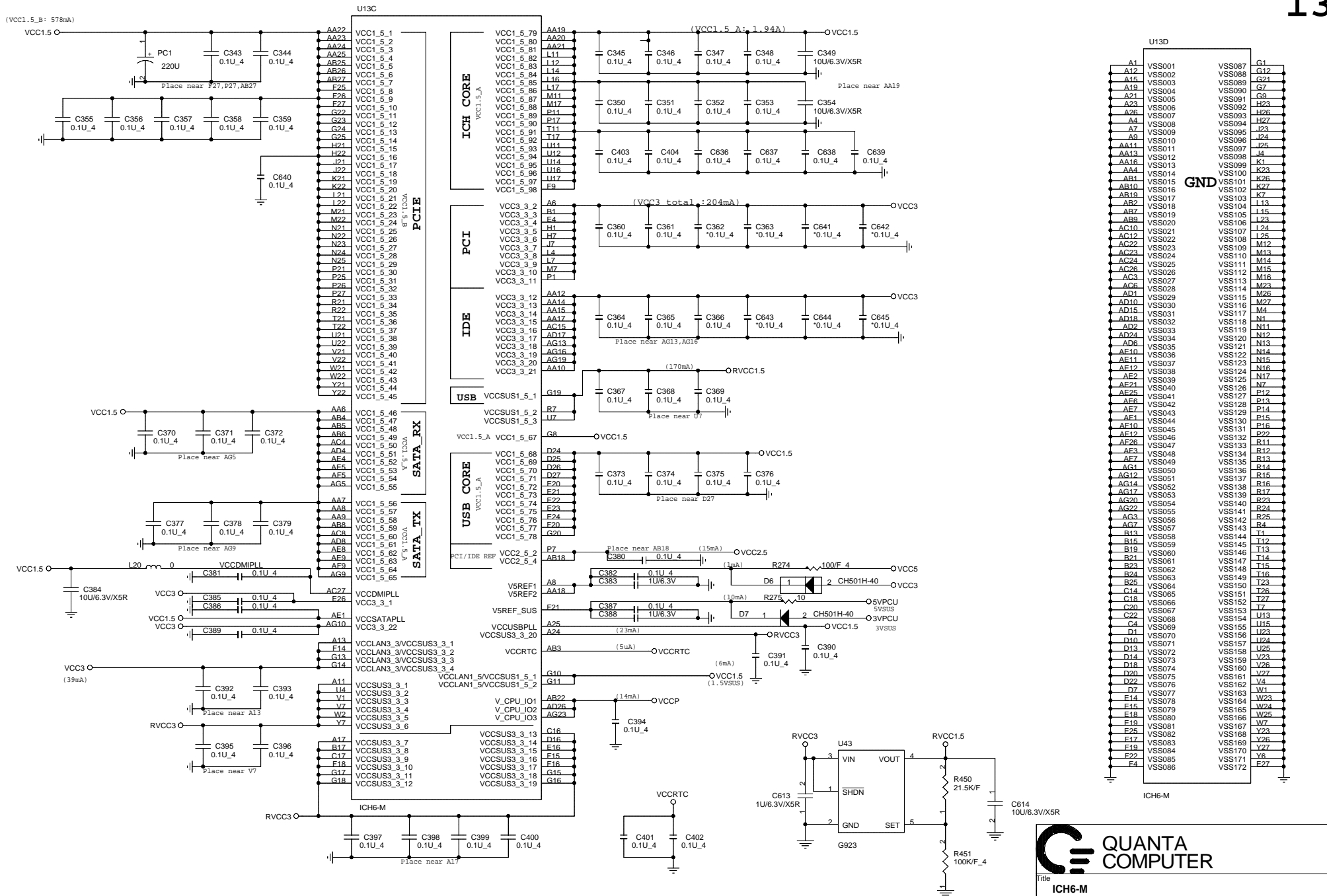
Date: Tuesday, May 10, 2005

Sheet 12 of 36

Rev 2A

Part Number: RJ1 Main Board

1. This part should not contain any substances which are specified in SS-00259-1  
 2. Purchase ink, paint, wire rods and molding resins only from the business partners that Sony approves & Green Partners.



**QUANTA COMPUTER**

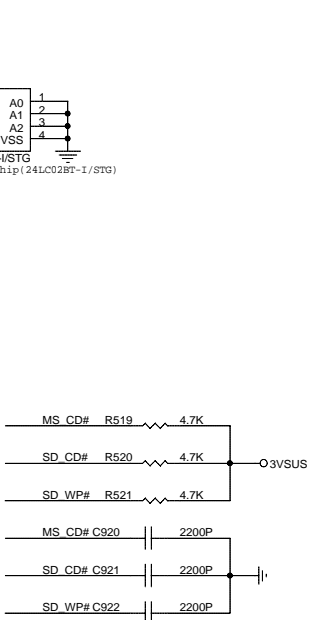
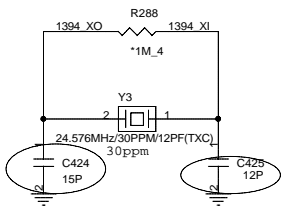
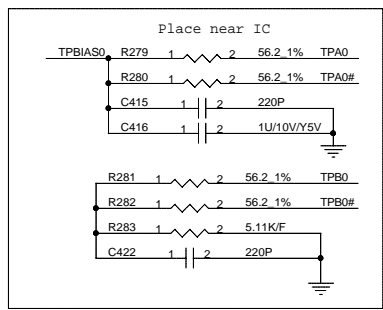
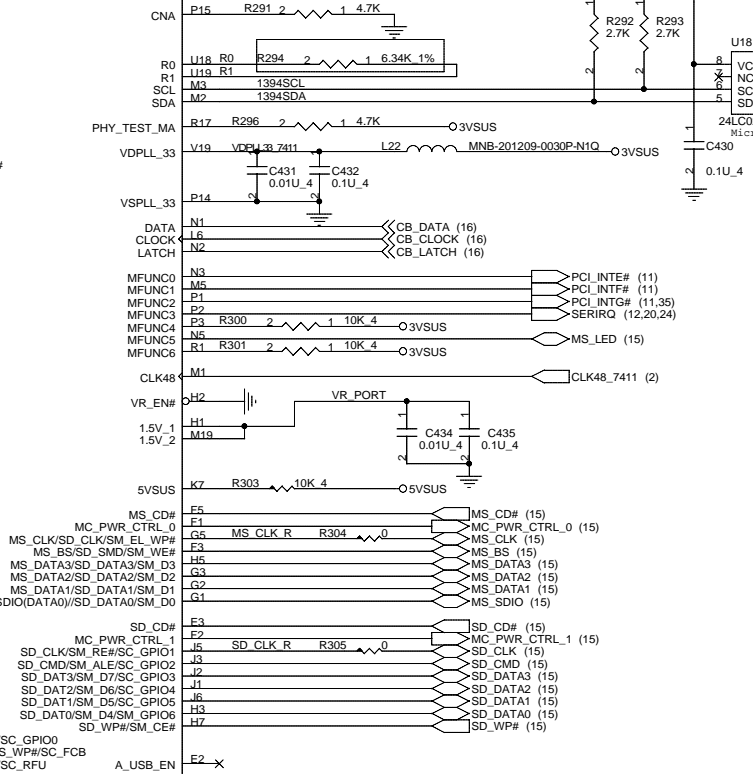
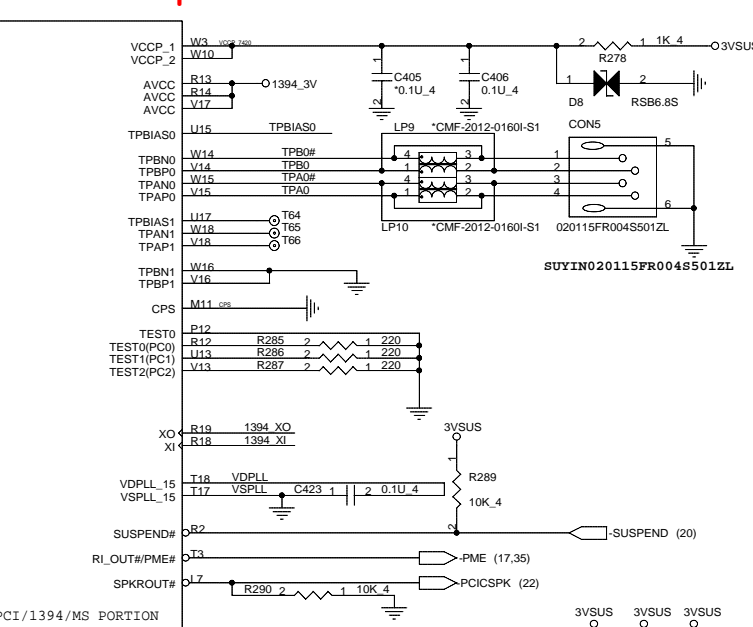
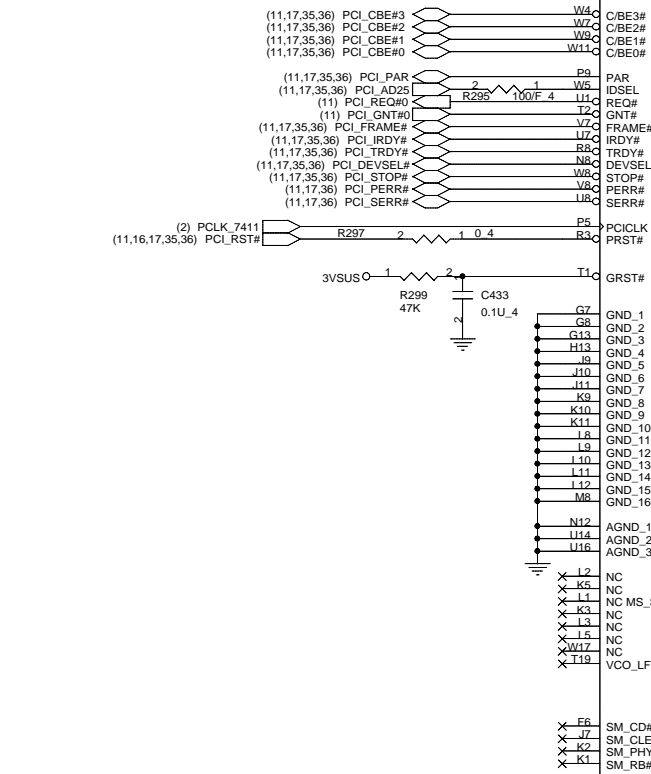
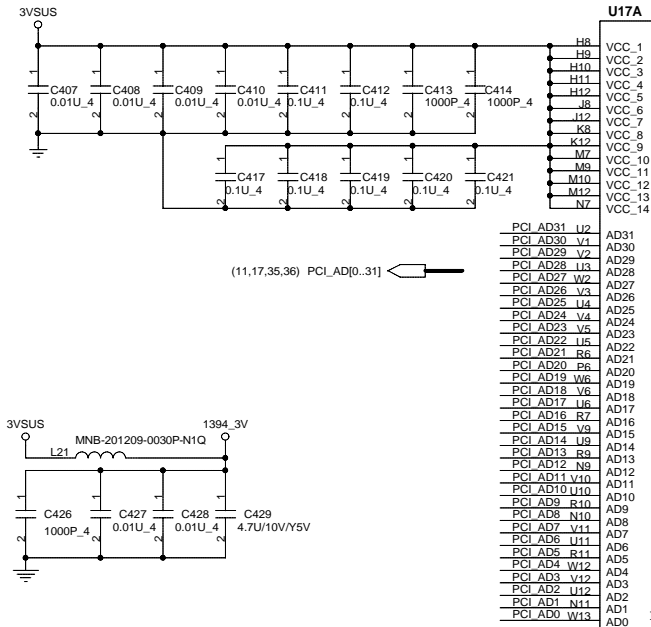
Title: **ICH6-M**

Size: \_\_\_\_\_ Document Number: \_\_\_\_\_ Rev: **1A**

\_\_\_\_\_ **RJ1 Main Board** \_\_\_\_\_

Date: Friday, April 22, 2005 Sheet 13 of 36

1. This part should not contain any substances which are specified in SS-00259-1  
 2. Purchase ink, paint, wire rods and molding resins only from the business partners that Sony approves as Green Partners



**QUANTA COMPUTER**

Title: **TI-7411 CardBus Control -- A**

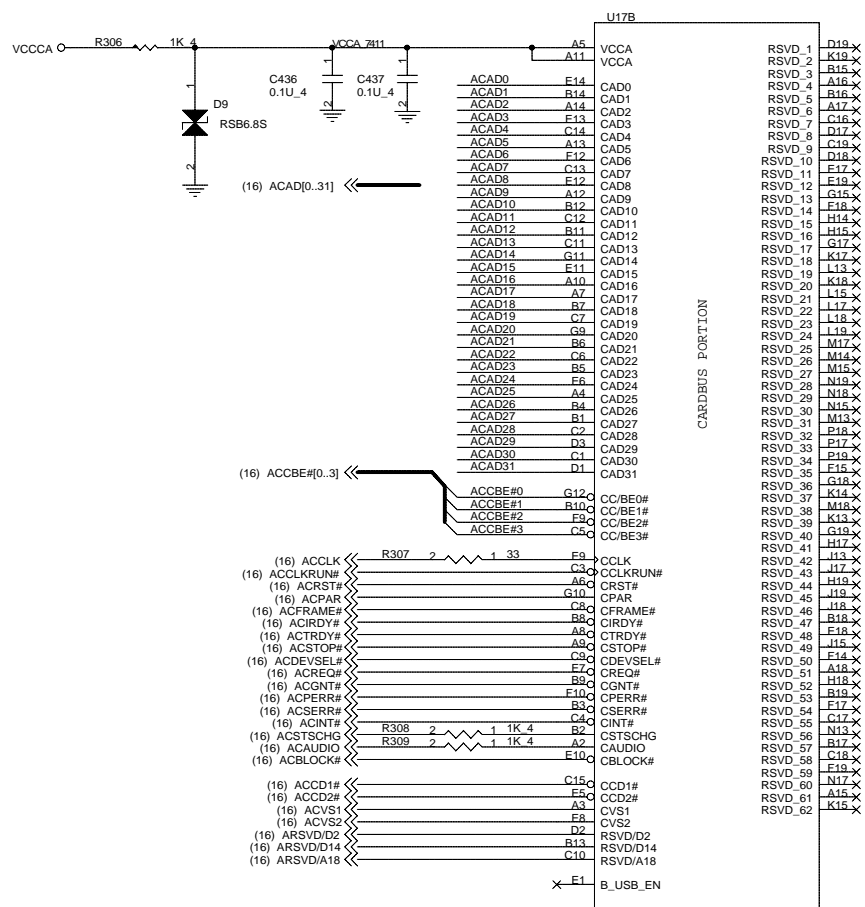
Size: Document Number

Rev: 2A

Date: Thursday, May 26, 2005

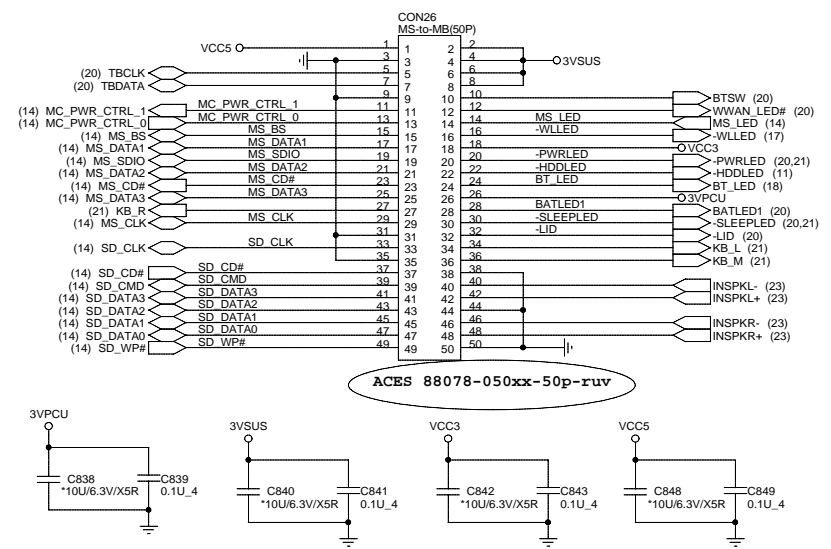
Sheet: 14 of 36

1. This part should not contain any substances which are specified in SS-00259-1  
 2. Purchase ink, paint, wire rods and molding resins only from the business partners that Sony approves as Green Partners.



CARDBUS PORTION

TL\_7411



ACES 88078-050xx-50p-ruv

1. This part should not contain any substances which are specified in SS-00259-1  
 2. Purchase ink, paint, wire rods and molding resins only from the business partners that Sony approves & Green Partners.

**QUANTA COMPUTER**

Title: **TI-7411 CardBus Control -- B**

Size: Document Number

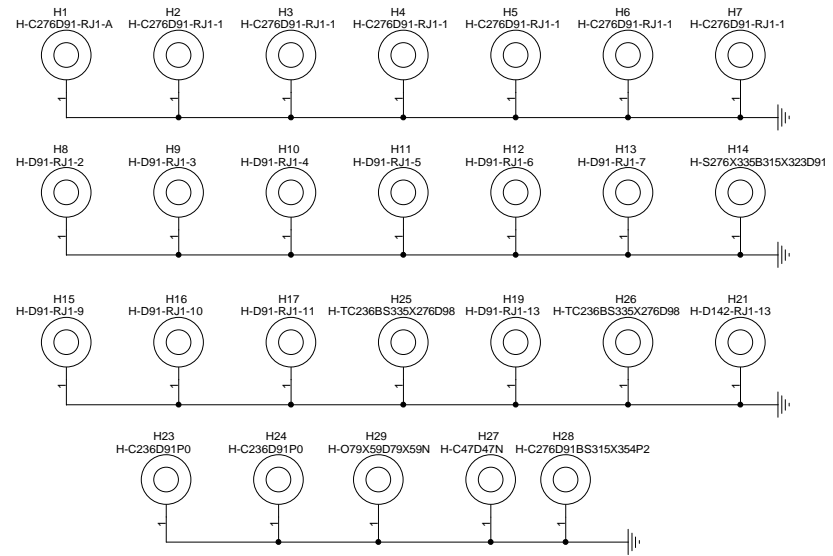
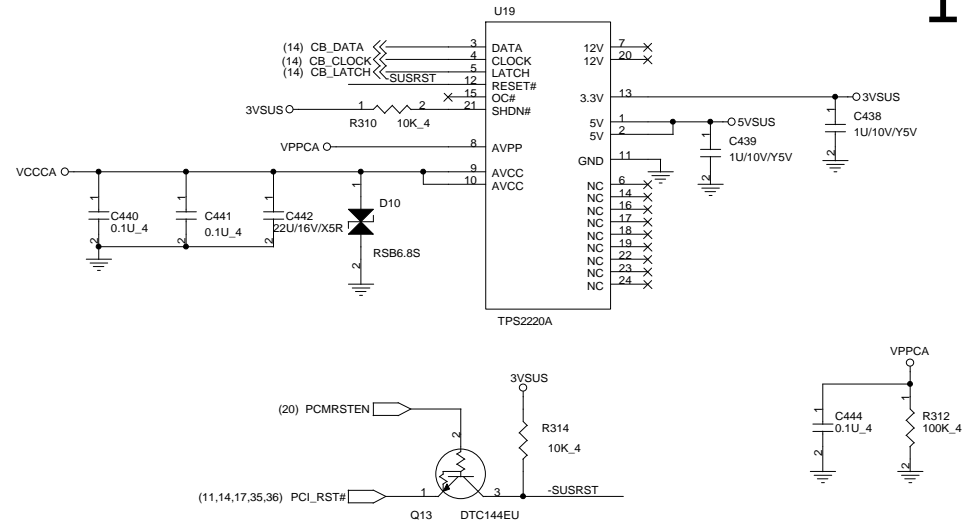
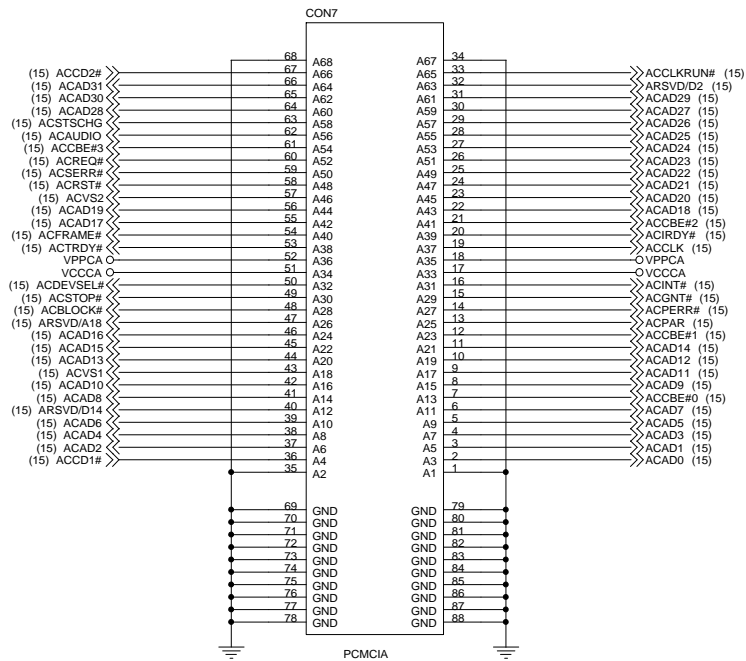
Date: Thursday, May 26, 2005

Sheet 15 of 36

Rev 1A

RJ1 Main Board

(15) ACAD[0..31] <<<
(15) ACCBE#[0..3] <<<



QUANTA COMPUTER logo and title block containing 'Title: CARBUS SLOT', 'Size: Document Number', 'Rev: 1A', 'Date: Thursday, May 26, 2005', and 'Sheet 16 of 36'.

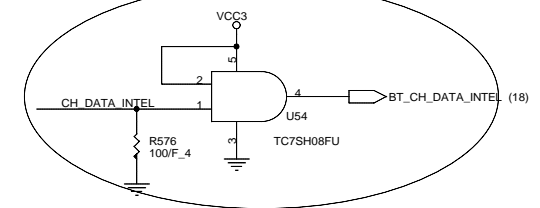
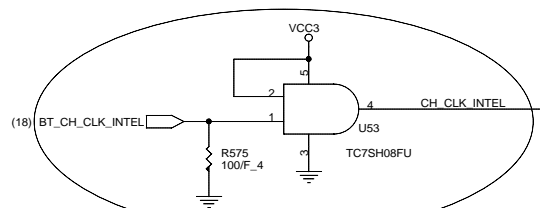
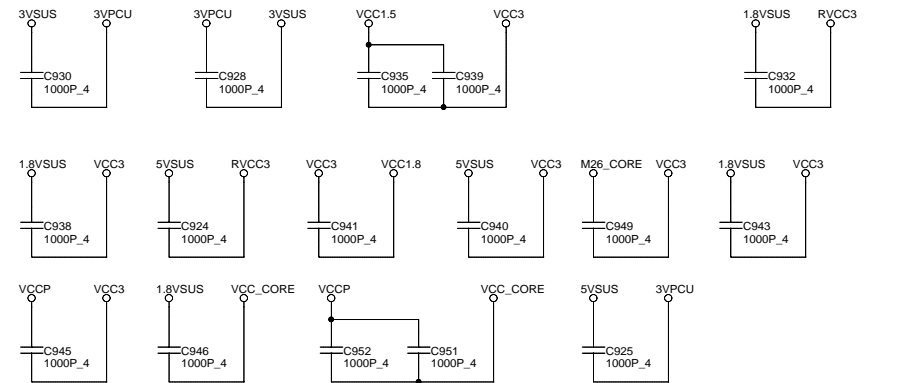
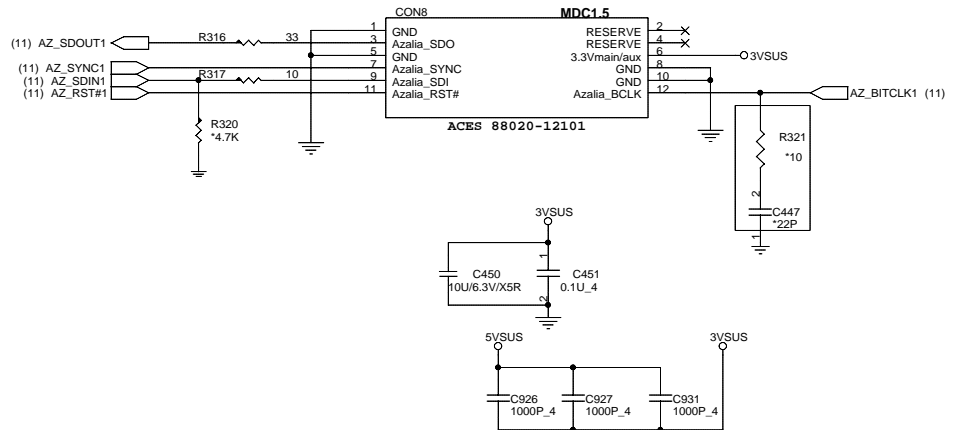
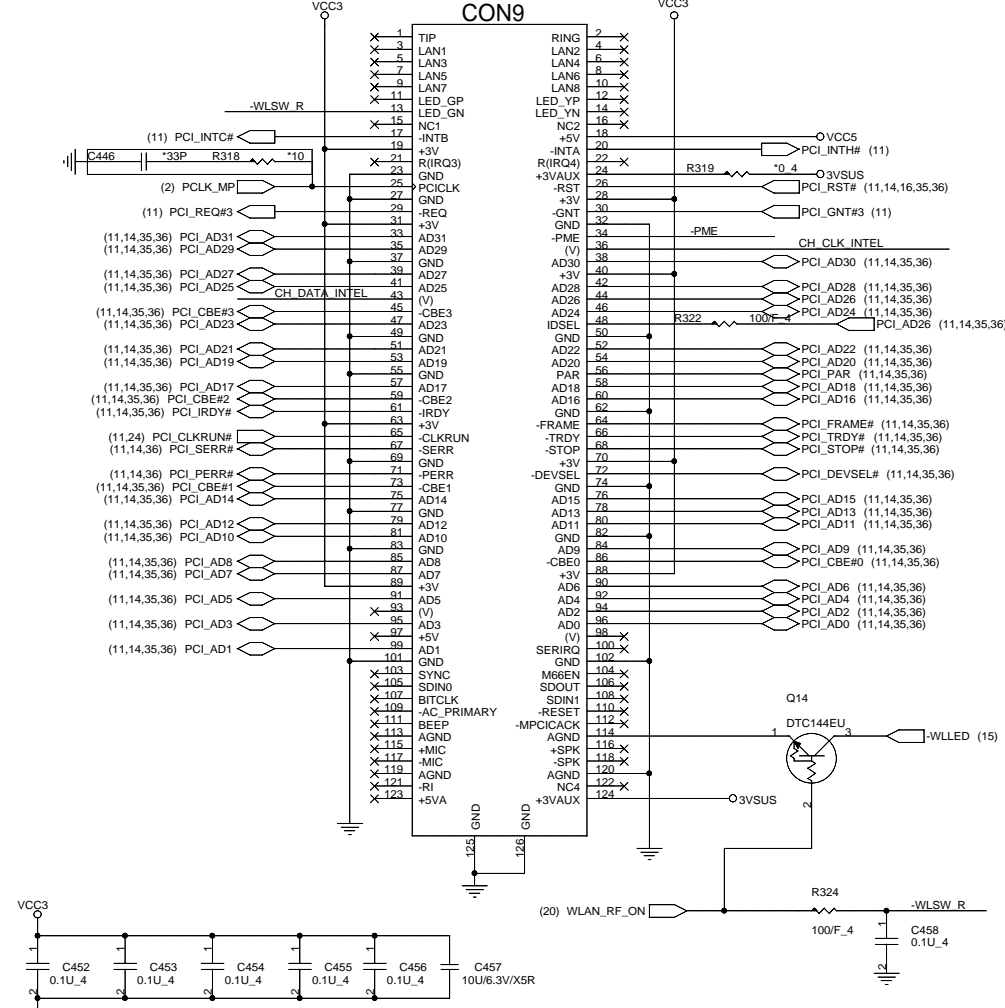
1. This part should not contain any substances which are specified in SS-00259-1
2. Purchase ink, paint, wire rods and molding resins only from the business partners that Sony approves as Green Partners.



LED\_GP :LED WLEN LINK  
 Output Current : 7mA  
 Blink rate : 1 flash  
 per every 3 sec.  
 WLSW:  
 Low : disable the radio.  
 High : Enable the radio.

AMP 1734835-2  
 MINIPCI H=6.7

### MDC V1.5



**QUANTA COMPUTER**

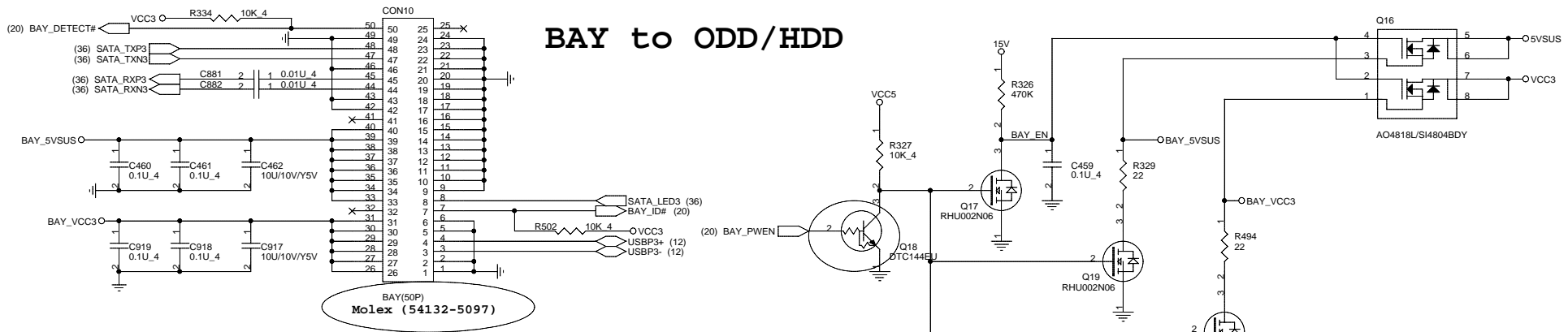
Title: **MINIPCI /MDC**

Size: \_\_\_\_\_ Document Number: \_\_\_\_\_ Rev: **2A**

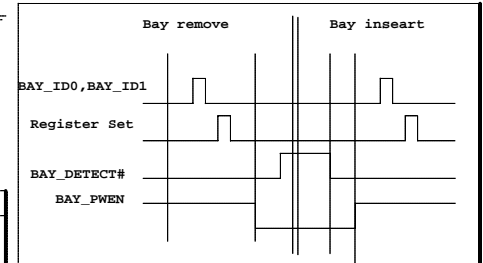
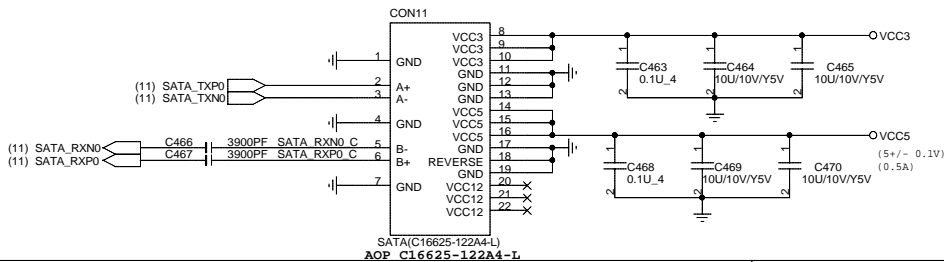
Date: **Tuesday, May 10, 2005** Sheet: **17** of **36**

1. This part should not contain any substances which are specified in SS-00259-1  
 2. Purchase ink, paint, wire rods and molding resins only from the business partners that Sony approves as Green Partners.

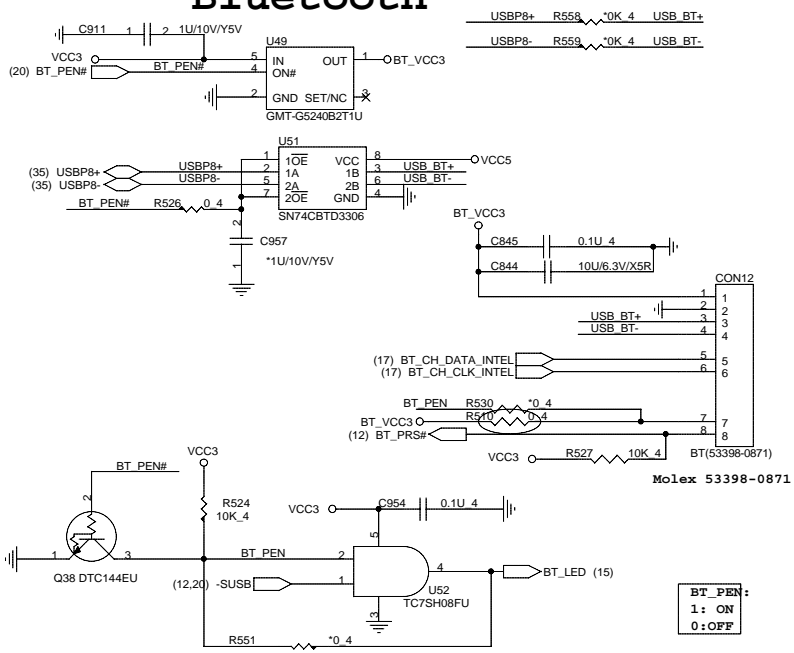
### BAY to ODD/HDD



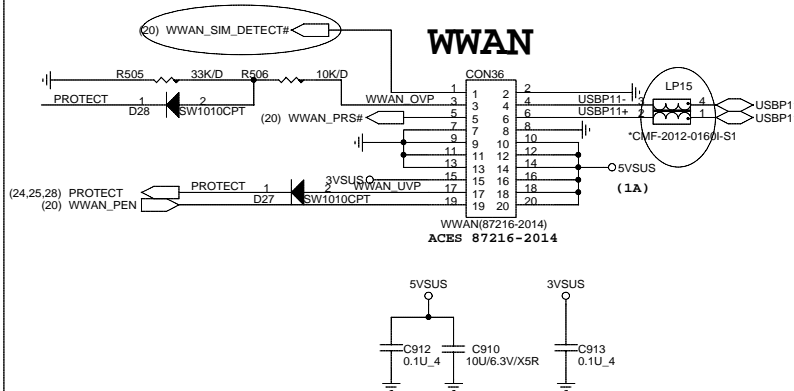
### HDD CONNECTOR



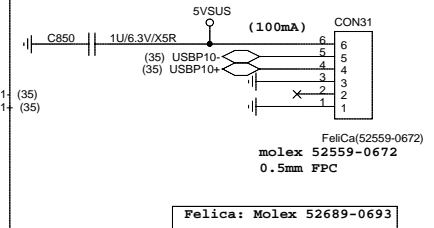
### Bluetooth



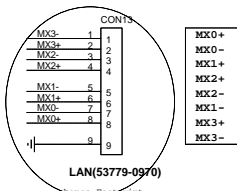
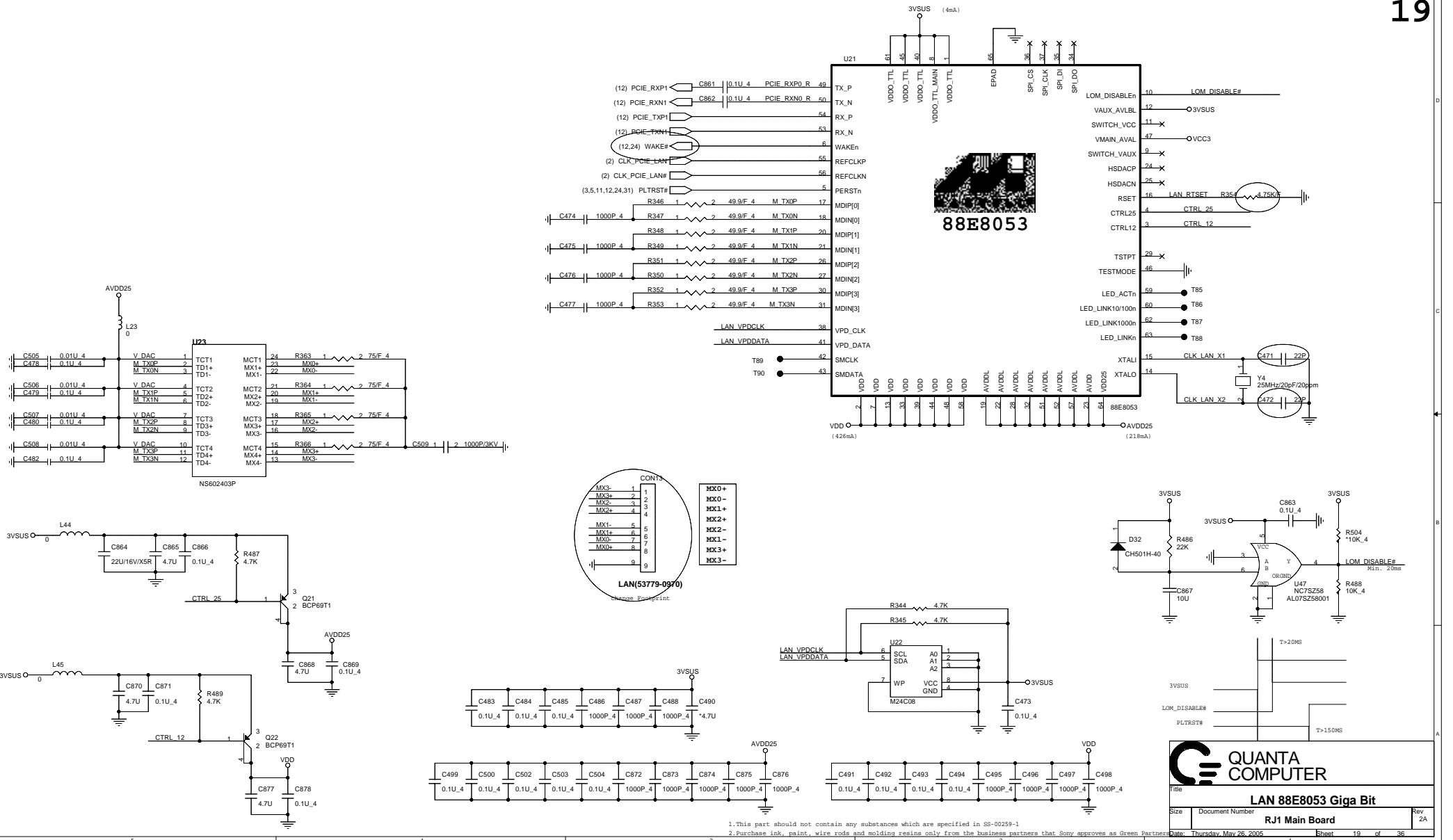
### WWAN



### FeliCa



1. This part should not contain any substances which are specified in SS-00259-1.  
2. Purchase ink, paint, wire rods and molding resins only from the business partners that Sony approves as Green Partners.



**QUANTA COMPUTER**

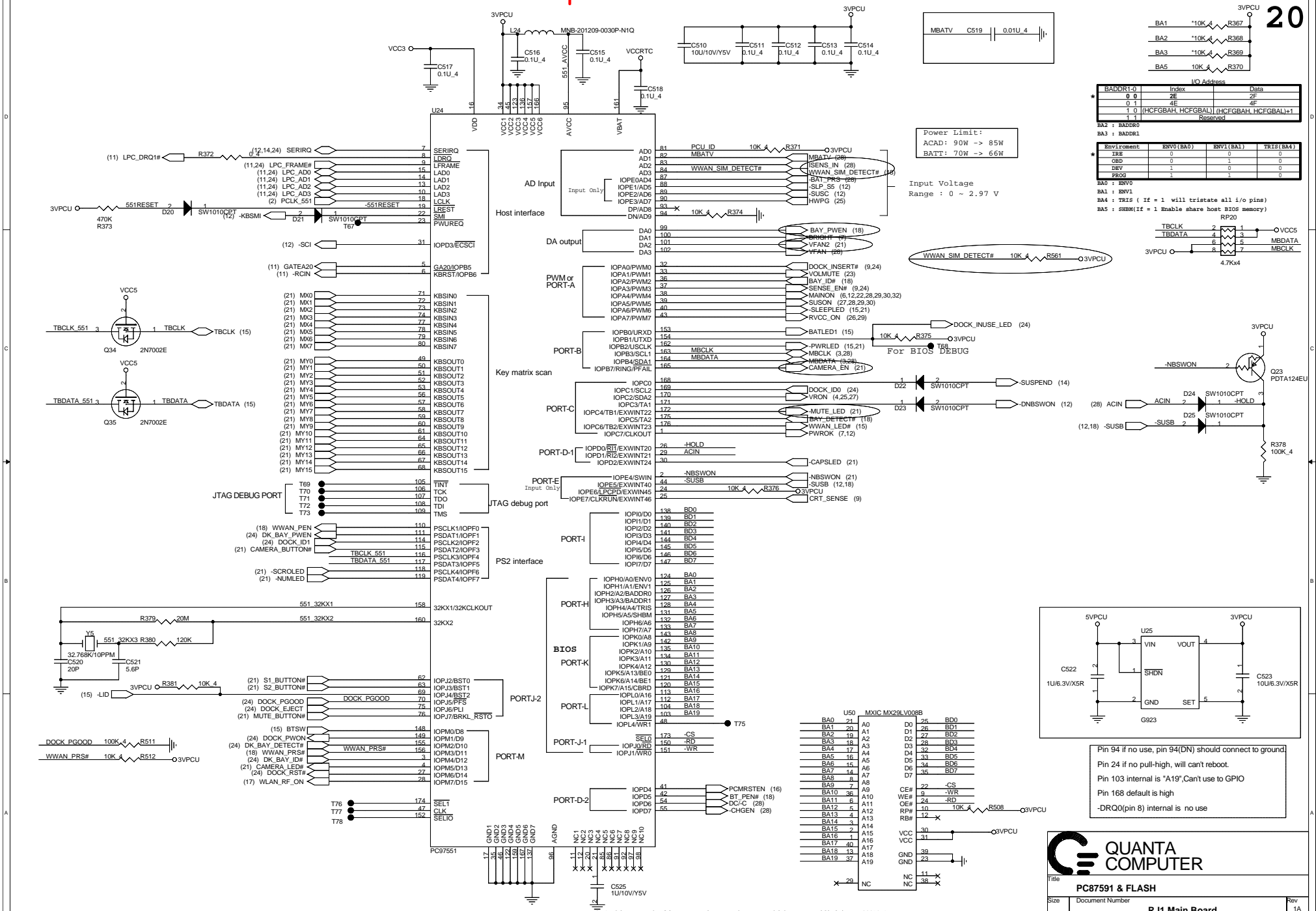
**LAN 88E8053 Giga Bit**

**RJ1 Main Board**

Rev 2A

Date: Thursday, May 26, 2005 Sheet 19 of 36

1. This part should not contain any substances which are specified in SO-00259-1  
 2. Purchase ink, paint, wire rods and molding resins only from the business partners that Sony approves as Green Partners



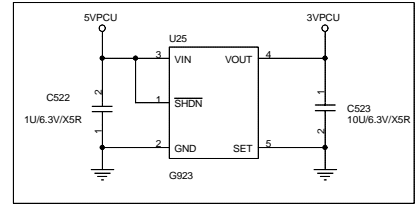
Power Limit:  
ACAD: 90W -> 85W  
BATT: 70W -> 66W

Input Voltage  
Range: 0 ~ 2.97 V

BADDR1-0	Index	Data
0 0	2E	2F
0 1	4E	4F
1 0	(HCFGBAH, HCFGBAL)	(HCFGBAH, HCFGBAL)+1
1 1	Reserved	

Environment	ENV0 (BA0)	ENV1 (BA1)	TRIS (BA4)
OBP	0	1	0
DEV	1	0	0
PROG	1	1	0

BA0 : ENV0  
BA1 : ENV1  
BA4 : TRIS ( If = 1 will tristate all i/o pins)  
BA5 : SHBM ( If = 1 Enable share host BIOS memory)



Pin 94 if no use, pin 94(DN) should connect to ground  
Pin 24 if no pull-high, will can't reboot.  
Pin 103 internal is "A19", Can't use to GPIO  
Pin 168 default is high  
-DRQ0(pin 8) internal is no use

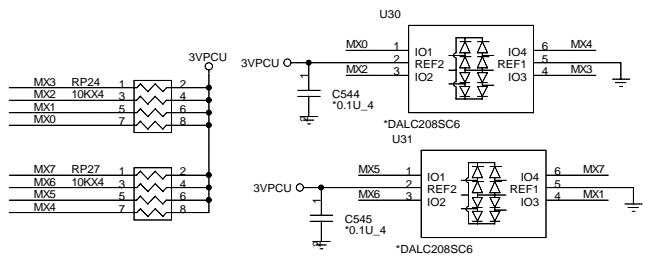
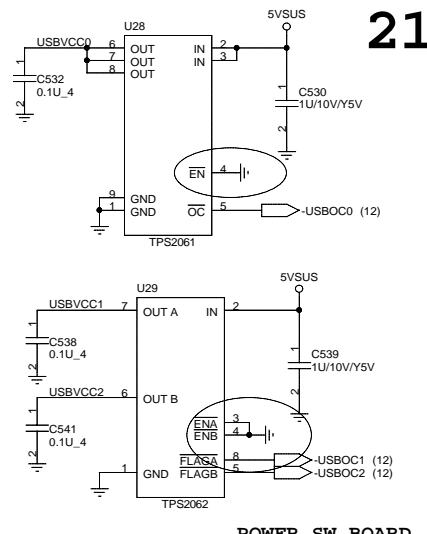
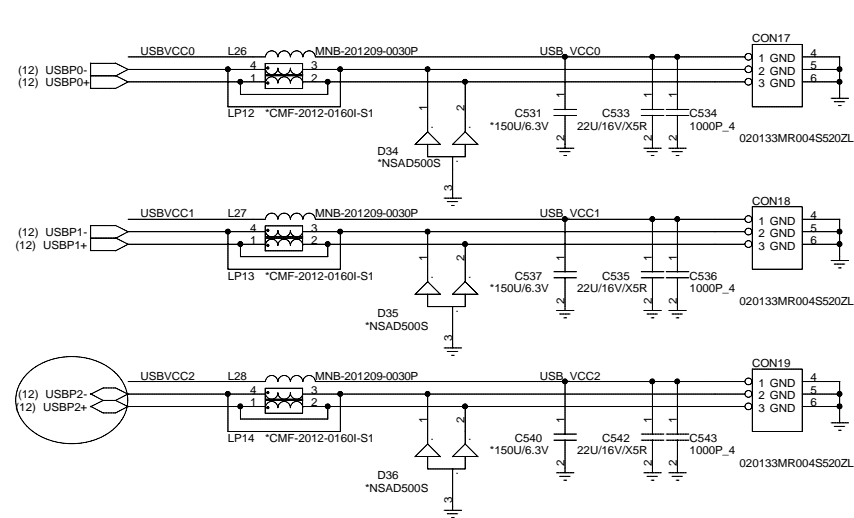
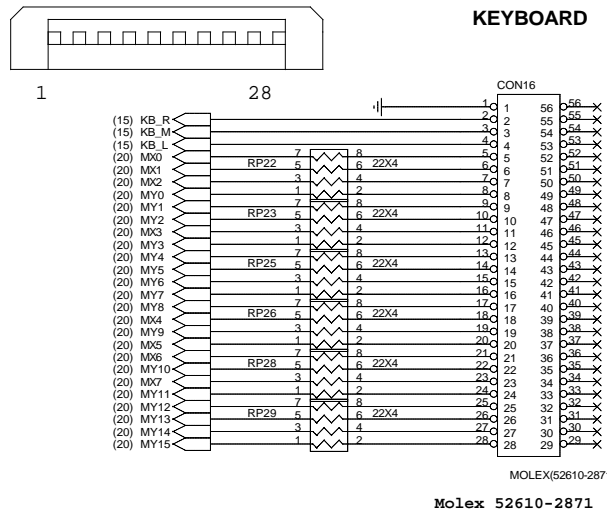
**QUANTA COMPUTER**

Title: **PC87591 & FLASH**

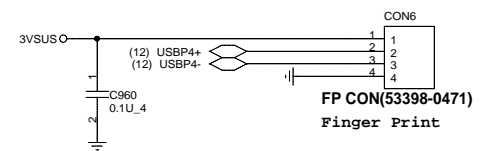
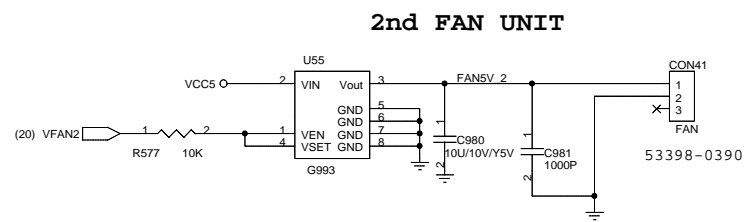
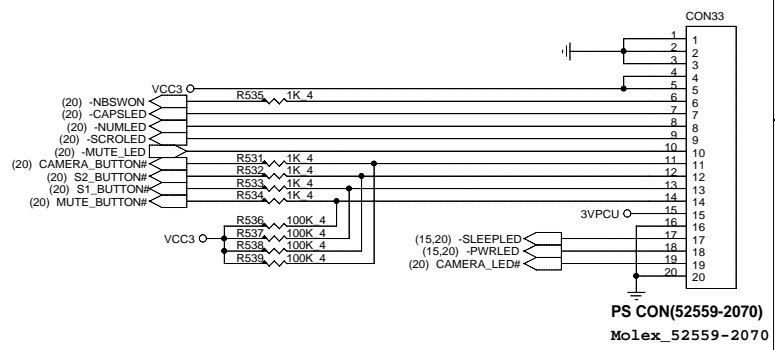
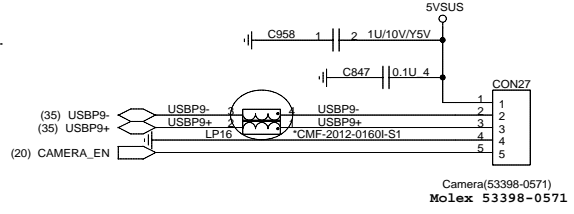
Size: Document Number **RJ1 Main Board** Rev 1A

Date: Tuesday, May 10, 2006 Sheet 20 of 36

1. This part should not contain any substances which are specified in SS-00259-1  
2. Purchase ink, paint, wire rods and moldings resin only from the business partners that Sony approves as Green Partners.



### USB Camera



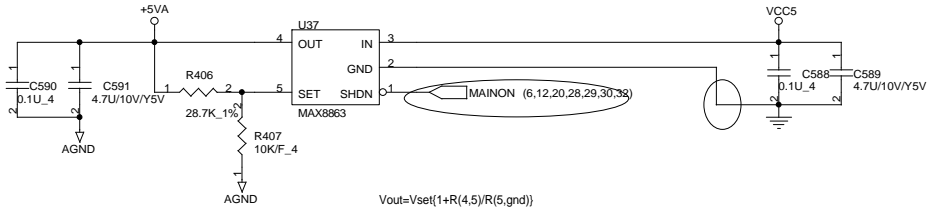
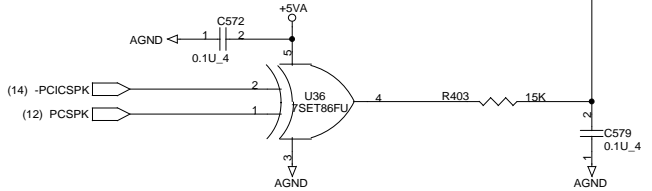
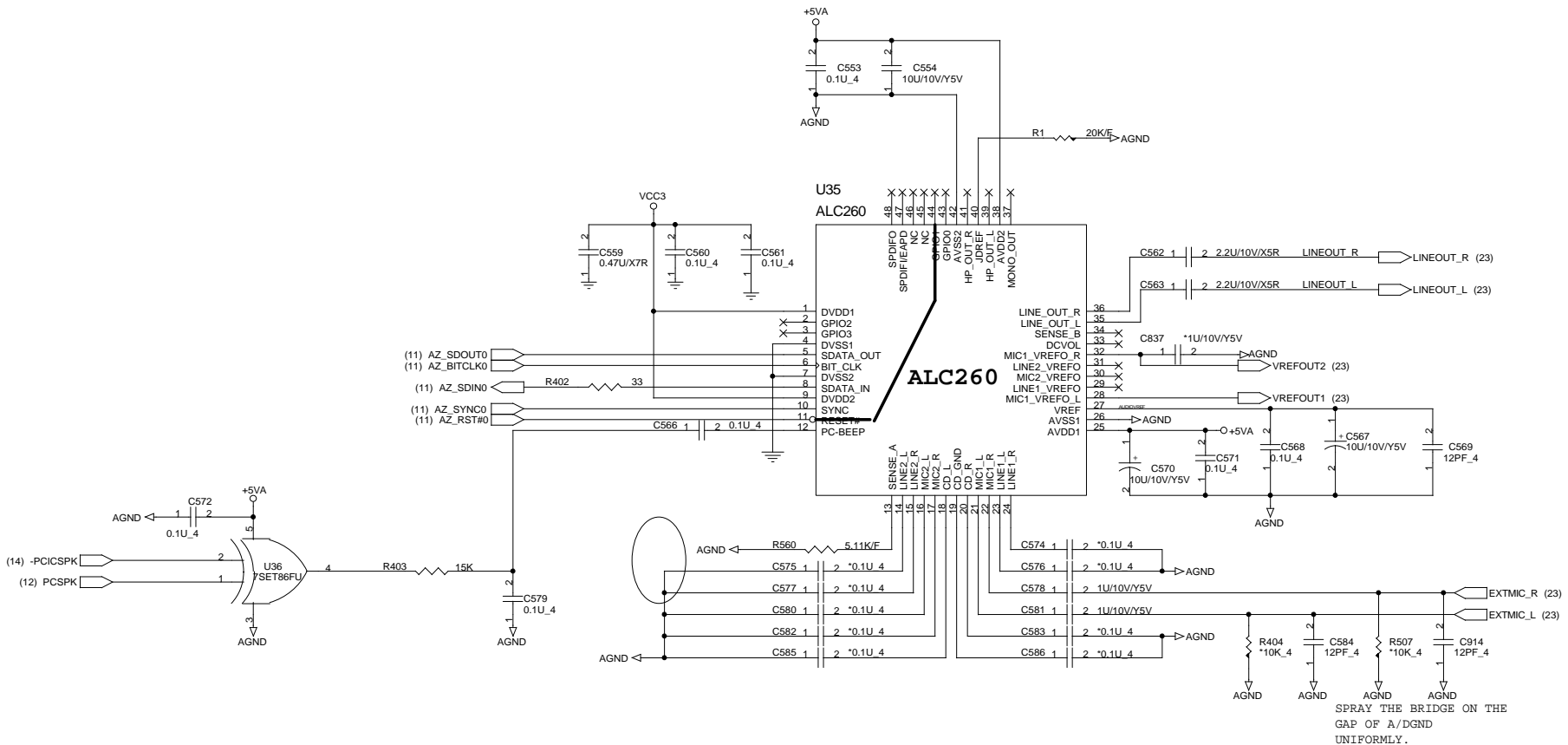
**QUANTA COMPUTER**

Title: **K/B ,USB**

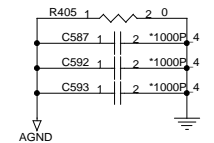
Size: Document Number: **RJ1 Main Board** Rev 2A

Date: Tuesday, May 10, 2005 Sheet 21 of 36

1. This part should not contain any substances which are specified in SS-00259-1  
2. Purchase ink, paint, wire rods and molding resins only from the business partners that Sony approves as Green Partners.



$V_{out} = V_{set} \left( 1 + \frac{R}{4.5} \right) / \left( \frac{R}{5} \right)$   
 $V_{set} = 1.25V$   
 $V_{out} = 1.25 \left( 1 + \frac{29.4K}{10K} \right) = 4.925V$   
 $V_{out} = 1.25 \left( 1 + \frac{28.7K}{10K} \right) = 4.8375V$   
 $V_{out} = 1.25 \left( 1 + \frac{27K}{10K} \right) = 4.625V$

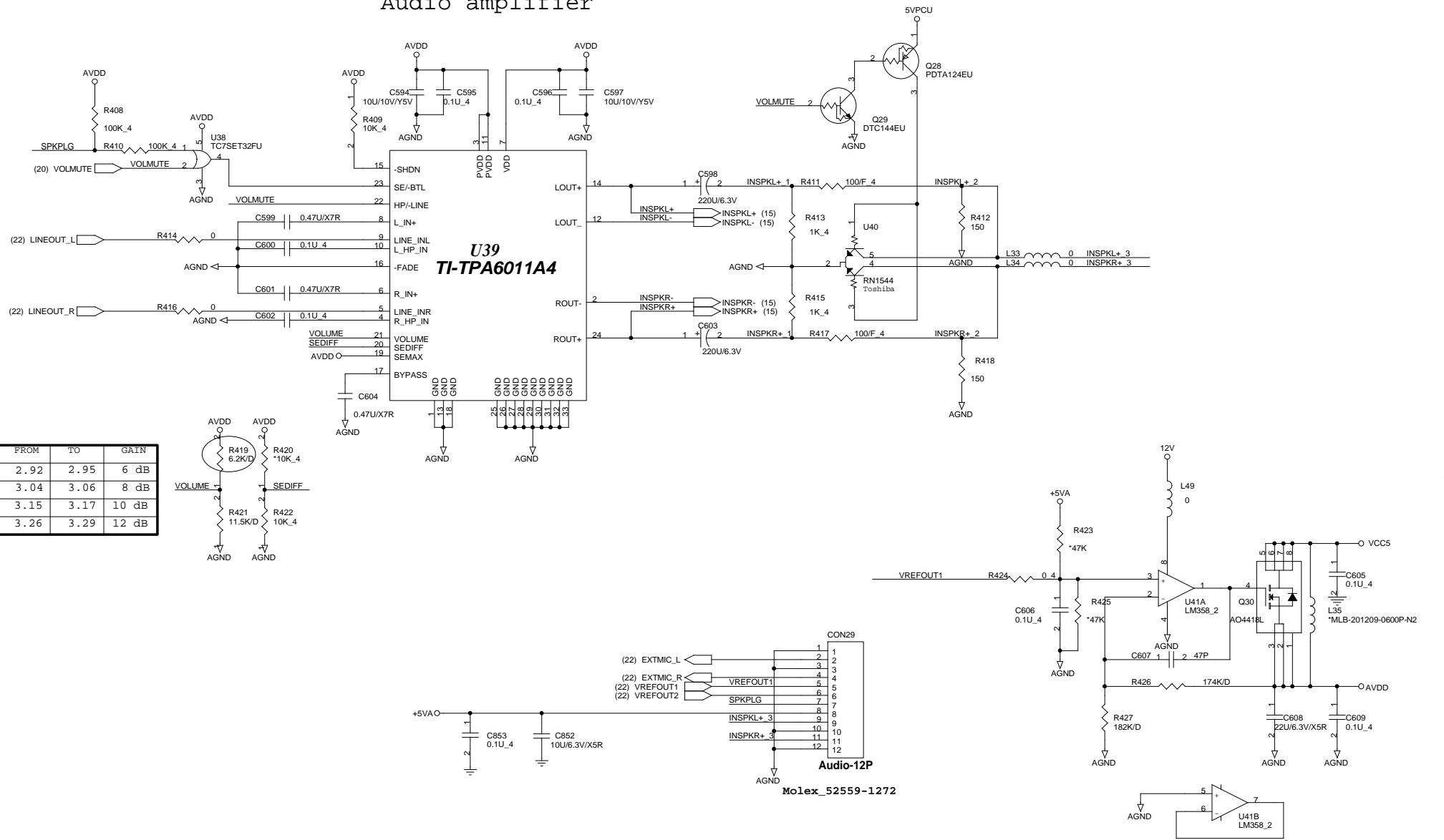


**Audio ALC260**

Title		
Audio ALC260		
Size	Document Number	Rev
		2A
RJ1 Audio Board		
Date: Thursday, May 26, 2005	Sheet 22 of 36	

1. This part should not contain any substances which are specified in SS-00259-1  
 2. Purchase ink, paint, wire rods and molding resins only from the business partners that Sony approves as Green Partners.

Audio amplifier



1. This part should not contain any substances which are specified in SS-00259-1  
 2. Purchase ink, paint, wire rods and molding resins only from the business partners that Sony approves as Green Partners.

**QUANTA COMPUTER**

Title: **AUDIO AMP**

Size: Document Number

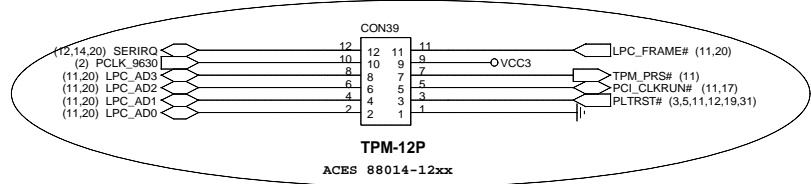
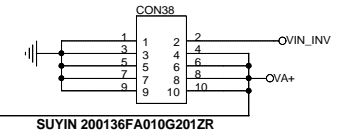
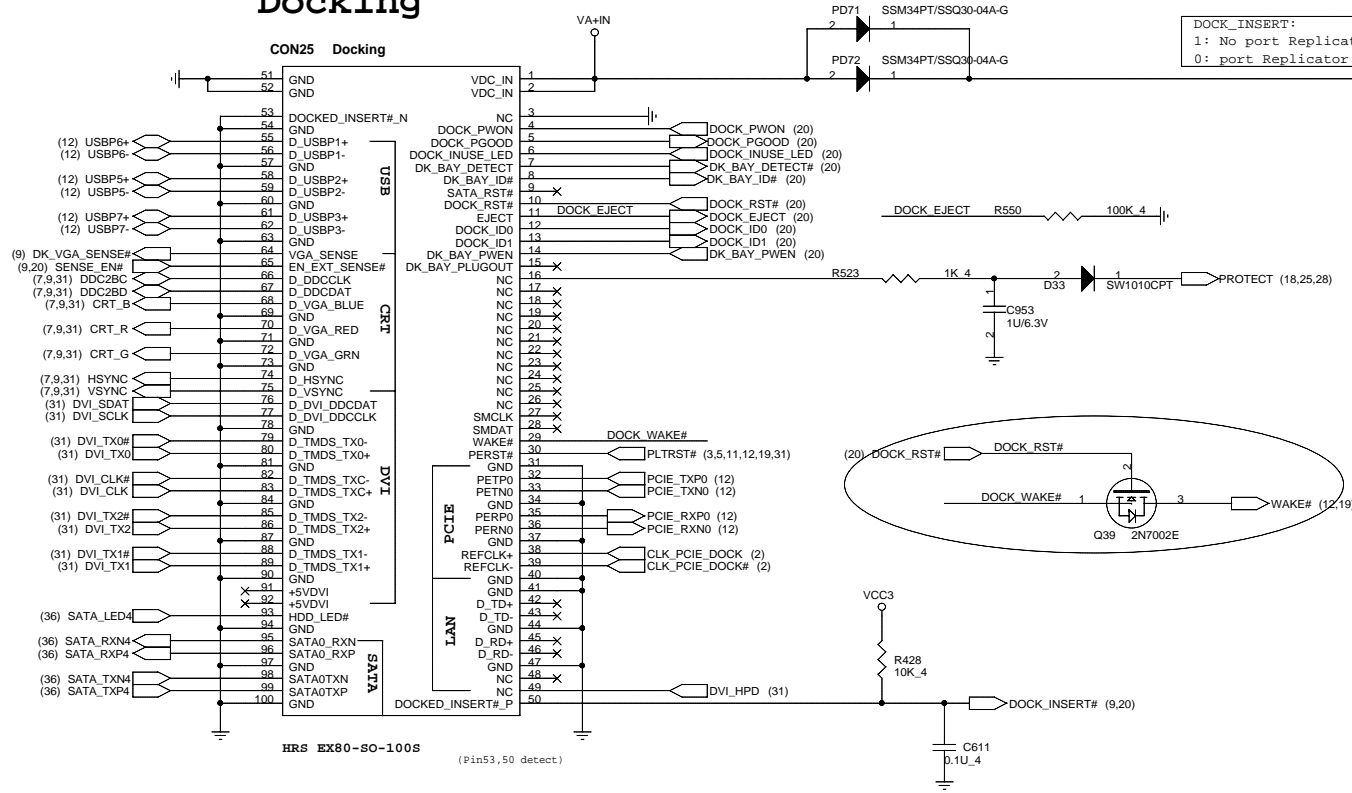
Rev: 1A

Date: Thursday, May 26, 2005

Sheet 23 of 36

**RJ1 Audio Board**

# Docking



**QUANTA COMPUTER**

Title: **Docking/TPM**

Size: \_\_\_\_\_ Document Number: \_\_\_\_\_ Rev: 2A

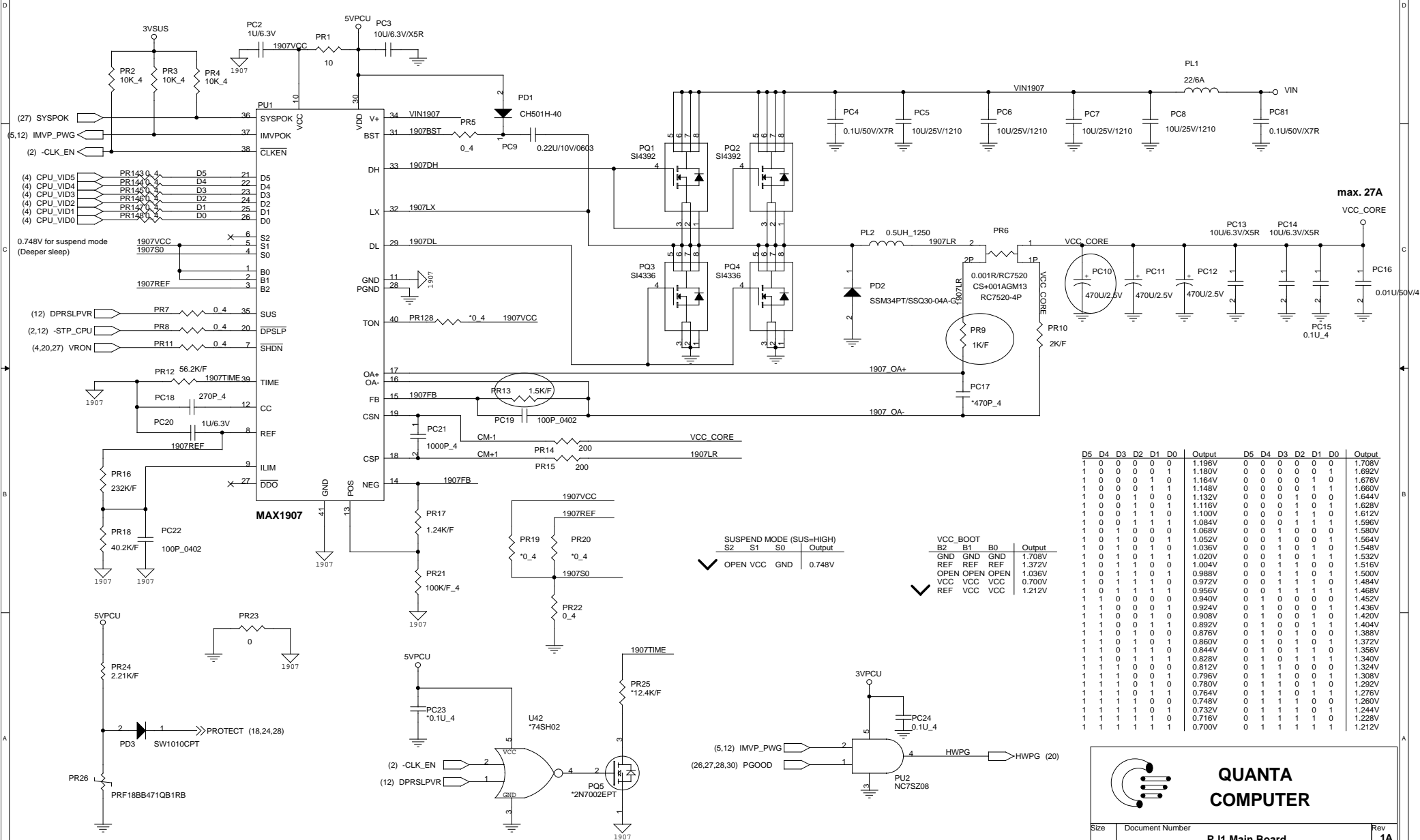
**RJ1 Main Board**

Date: Tuesday, May 10, 2005 Sheet 24 of 36

1. This part should not contain any substances which are specified in SS-00259-1  
2. Purchase ink, paint, wire rods and molding resins only from the business partners that Sony approves as Green Partners.




CPU CORE



D5	D4	D3	D2	D1	D0	Output	D5	D4	D3	D2	D1	D0	Output
1	0	0	0	0	0	1.196V	0	0	0	0	0	0	1.708V
1	0	0	0	0	1	1.180V	0	0	0	0	0	1	1.692V
1	0	0	0	1	0	1.164V	0	0	0	0	1	0	1.676V
1	0	0	0	1	1	1.148V	0	0	0	0	1	1	1.660V
1	0	0	1	0	0	1.132V	0	0	0	1	0	0	1.644V
1	0	0	1	0	1	1.116V	0	0	0	1	0	1	1.628V
1	0	0	1	1	0	1.100V	0	0	0	1	1	0	1.612V
1	0	0	1	1	1	1.084V	0	0	0	1	1	1	1.596V
1	0	1	0	0	0	1.068V	0	0	1	0	0	0	1.580V
1	0	1	0	0	1	1.052V	0	0	1	0	0	1	1.564V
1	0	1	0	1	0	1.036V	0	0	1	0	1	0	1.548V
1	0	1	0	1	1	1.020V	0	0	1	0	1	1	1.532V
1	0	1	1	0	0	1.004V	0	0	1	1	0	0	1.516V
1	0	1	1	0	1	0.988V	0	0	1	0	1	0	1.500V
1	0	1	1	1	0	0.972V	0	0	1	1	0	0	1.484V
1	0	1	1	1	1	0.956V	0	0	1	1	1	1	1.468V
1	1	0	0	0	0	0.940V	0	1	0	0	0	0	1.452V
1	1	0	0	0	1	0.924V	0	1	0	0	1	0	1.436V
1	1	0	0	1	0	0.908V	0	1	0	0	1	0	1.420V
1	1	0	0	1	1	0.892V	0	1	0	0	1	1	1.404V
1	1	0	1	0	0	0.876V	0	1	0	1	0	0	1.388V
1	1	0	1	0	1	0.860V	0	1	0	1	0	1	1.372V
1	1	0	1	1	0	0.844V	0	1	0	1	1	0	1.356V
1	1	0	1	1	1	0.828V	0	1	0	1	1	1	1.340V
1	1	1	0	0	0	0.812V	0	1	1	0	0	0	1.324V
1	1	1	0	0	1	0.796V	0	1	1	0	0	1	1.308V
1	1	1	0	1	0	0.780V	0	1	1	0	1	0	1.292V
1	1	1	0	1	1	0.764V	0	1	1	0	1	1	1.276V
1	1	1	1	0	0	0.748V	0	1	1	1	0	0	1.260V
1	1	1	1	0	1	0.732V	0	1	1	1	0	1	1.244V
1	1	1	1	1	0	0.716V	0	1	1	1	1	0	1.228V
1	1	1	1	1	1	0.700V	0	1	1	1	1	1	1.212V

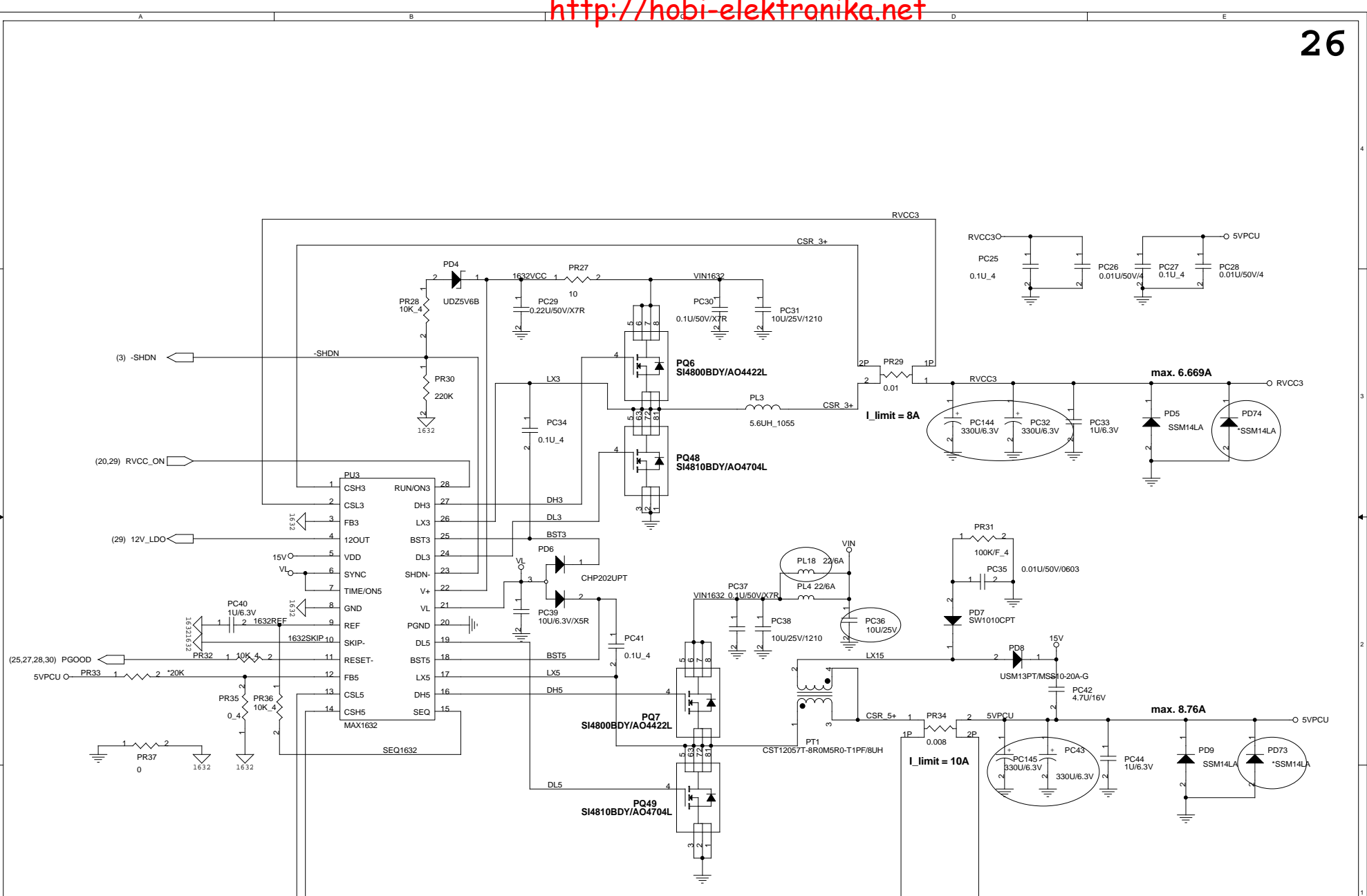
SUSPEND MODE (SUS=HIGH)	S2	S1	S0	Output
✓ OPEN VCC	GND	GND	GND	0.748V

VCC_BOOT	B2	B1	B0	Output
✓ GND	GND	GND	GND	1.708V
REF	REF	REF	REF	1.372V
OPEN	OPEN	OPEN	OPEN	1.036V
VCC	VCC	VCC	VCC	0.700V
REF	VCC	VCC	VCC	1.212V



**QUANTA  
COMPUTER**

Size	Document Number	Rev
	<b>RJ1 Main Board</b>	<b>1A</b>

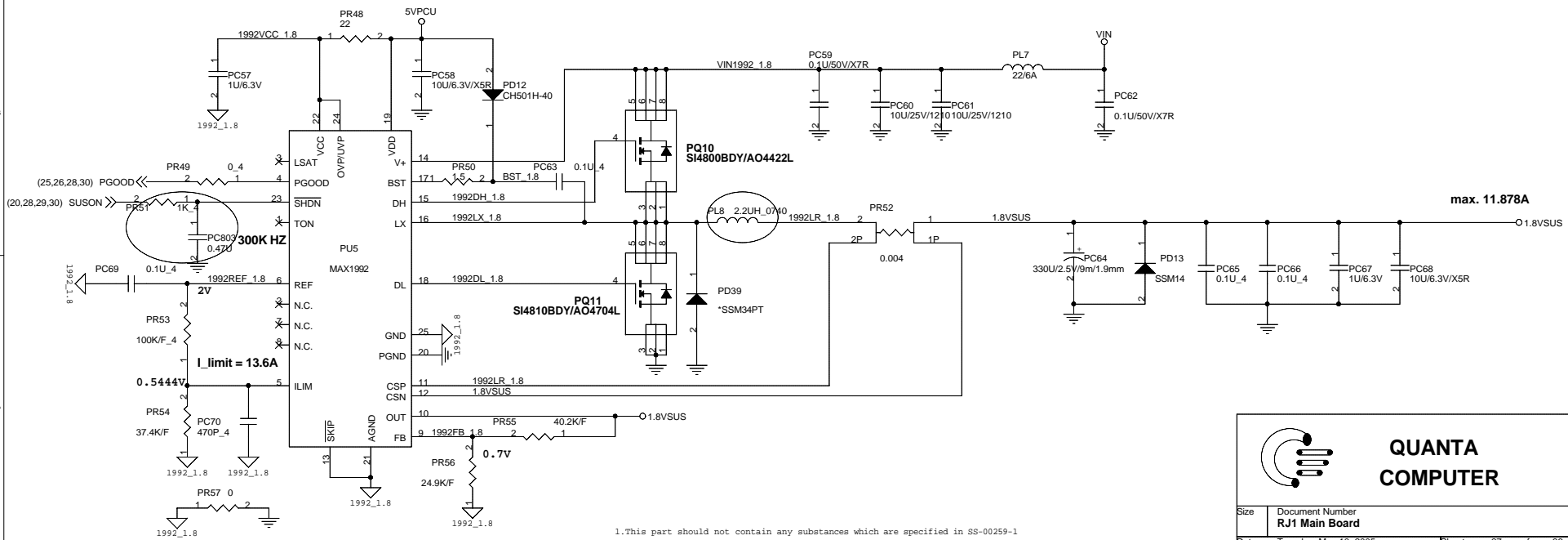
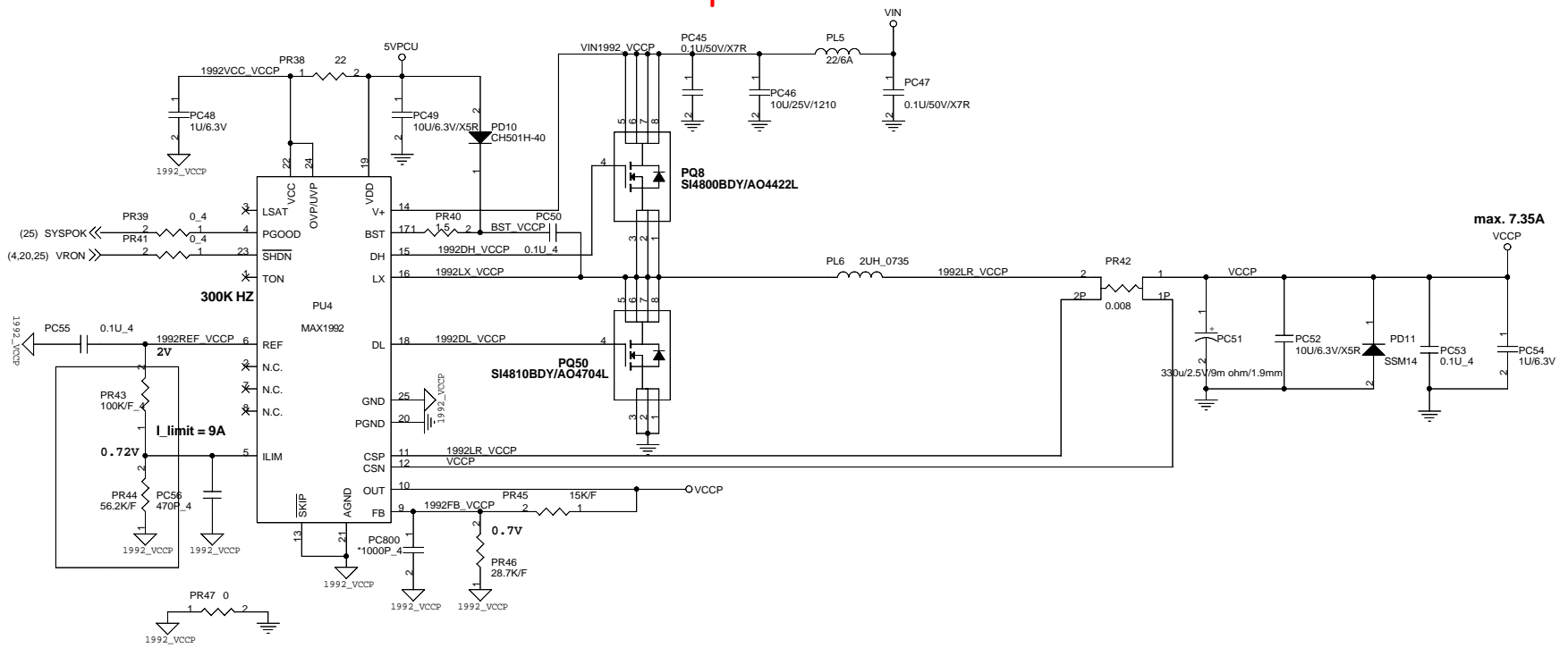


**QUANTA COMPUTER**

Size	Document Number	<b>RJ1 Main Board</b>	Rev
			<b>2A</b>

Date: Tuesday, May 10, 2005 Sheet 26 of 36

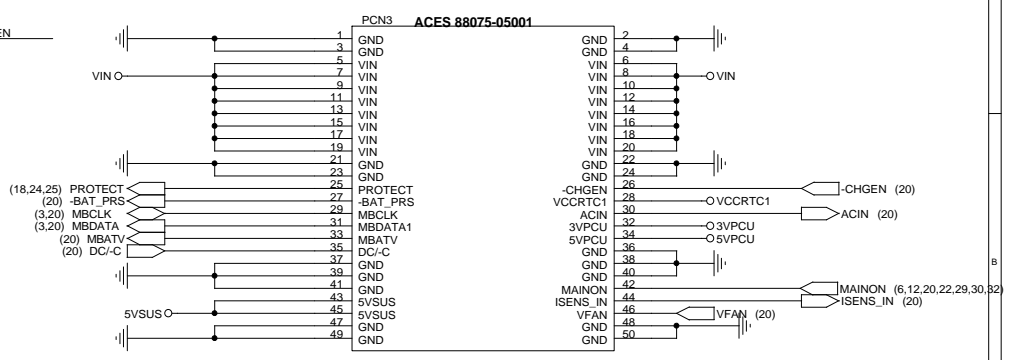
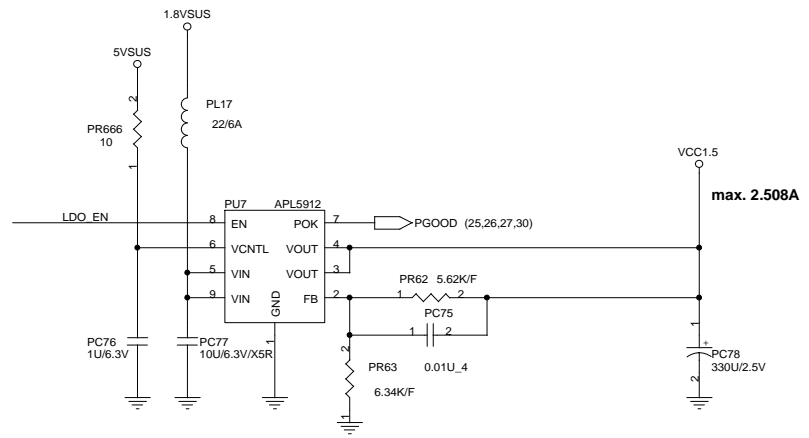
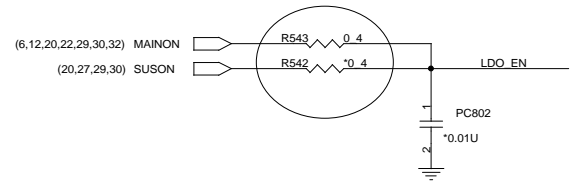
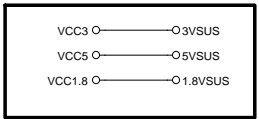
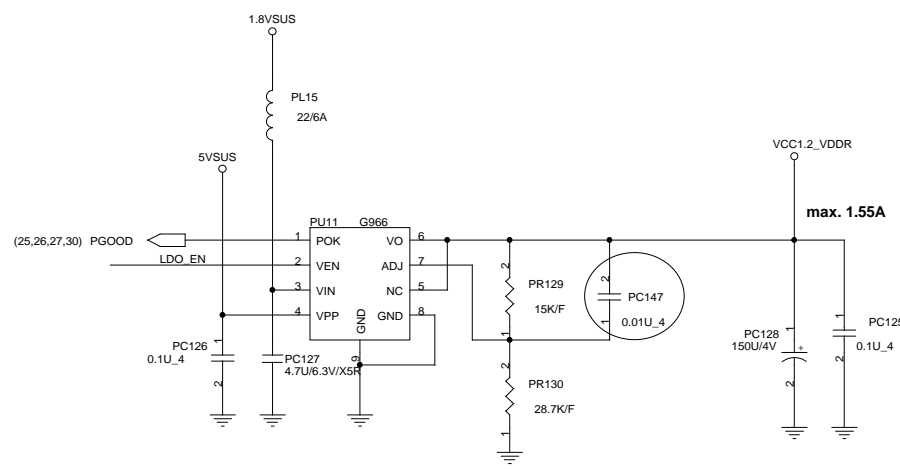
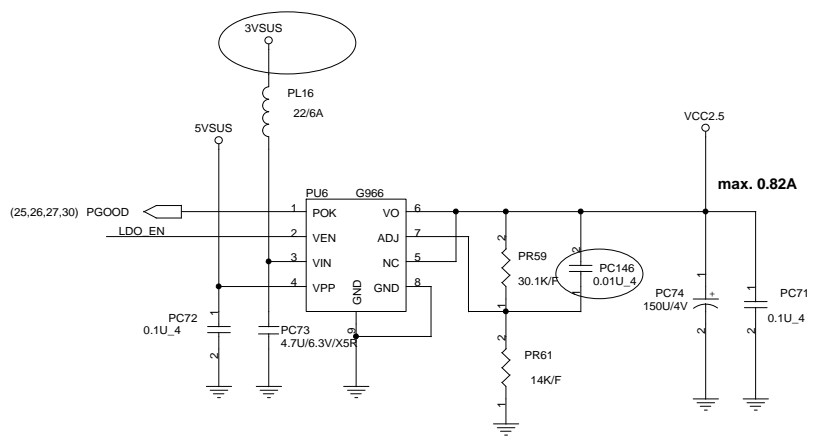
1. This part should not contain any substances which are specified in SS-00259-1  
 2. Purchase ink, paint, wire rods and molding resins only from the business partners that Sony approves as Green Partners.



**QUANTA COMPUTER**

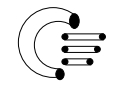
Size	Document Number	Rev
	<b>RJ1 Main Board</b>	<b>2A</b>
Date:	Tuesday, May 10, 2005	Sheet 27 of 36

1. This part should not contain any substances which are specified in SS-00259-1  
 2. Purchase ink, paint, wire rods and molding resins only from the business partners that Sony approves as Green Partners.



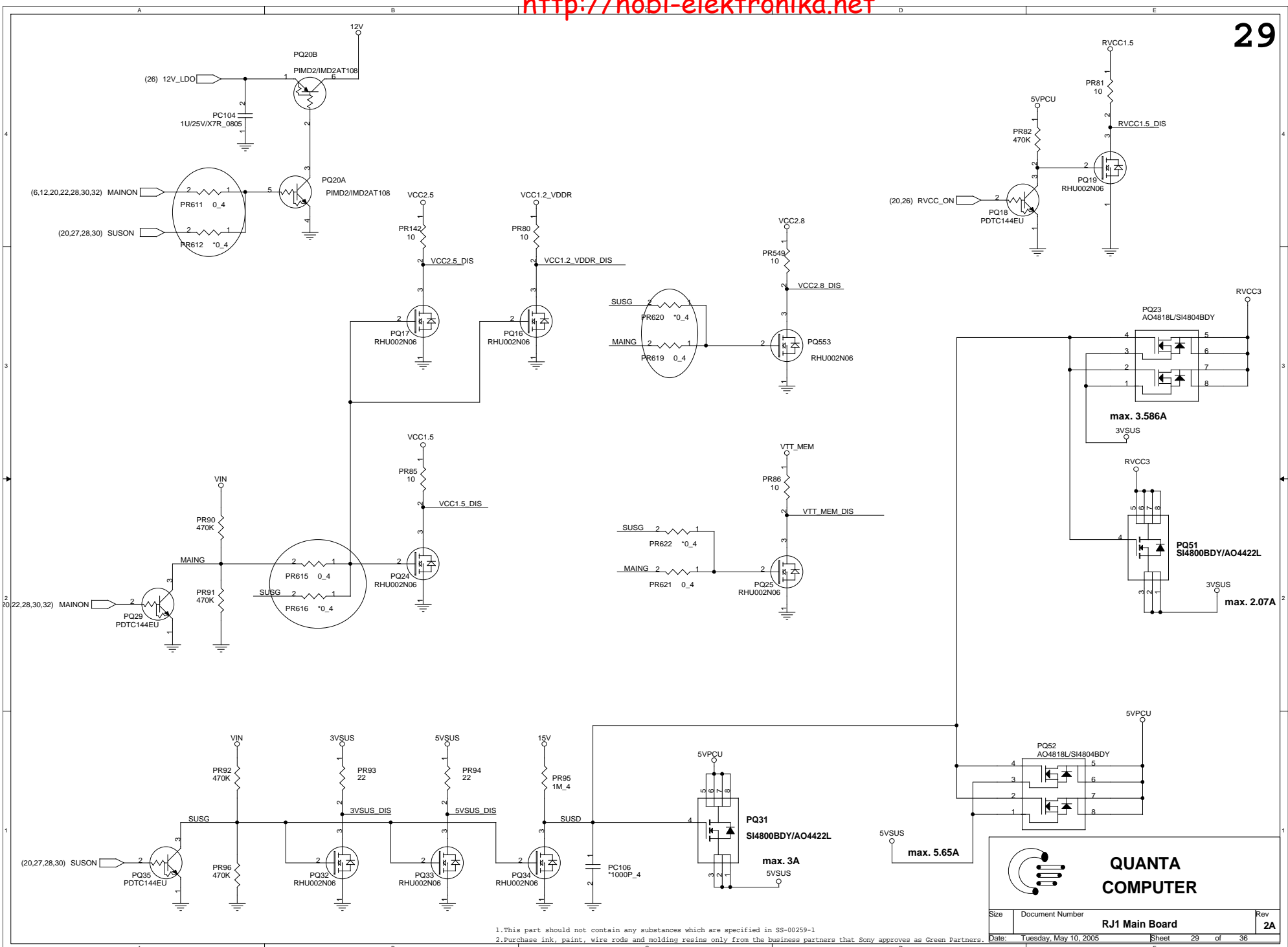
1.This part should not contain any substances which are specified in SS-00259-1

2.Purchase ink, paint, wire rods and molding resins only from the business partners that Sony approves as Green Partners.



**QUANTA  
COMPUTER**

Size	Document Number	Rev
	<b>RJ1 Main Board</b>	<b>2A</b>
Date: Tuesday, May 10, 2005		Sheet 28 of 36

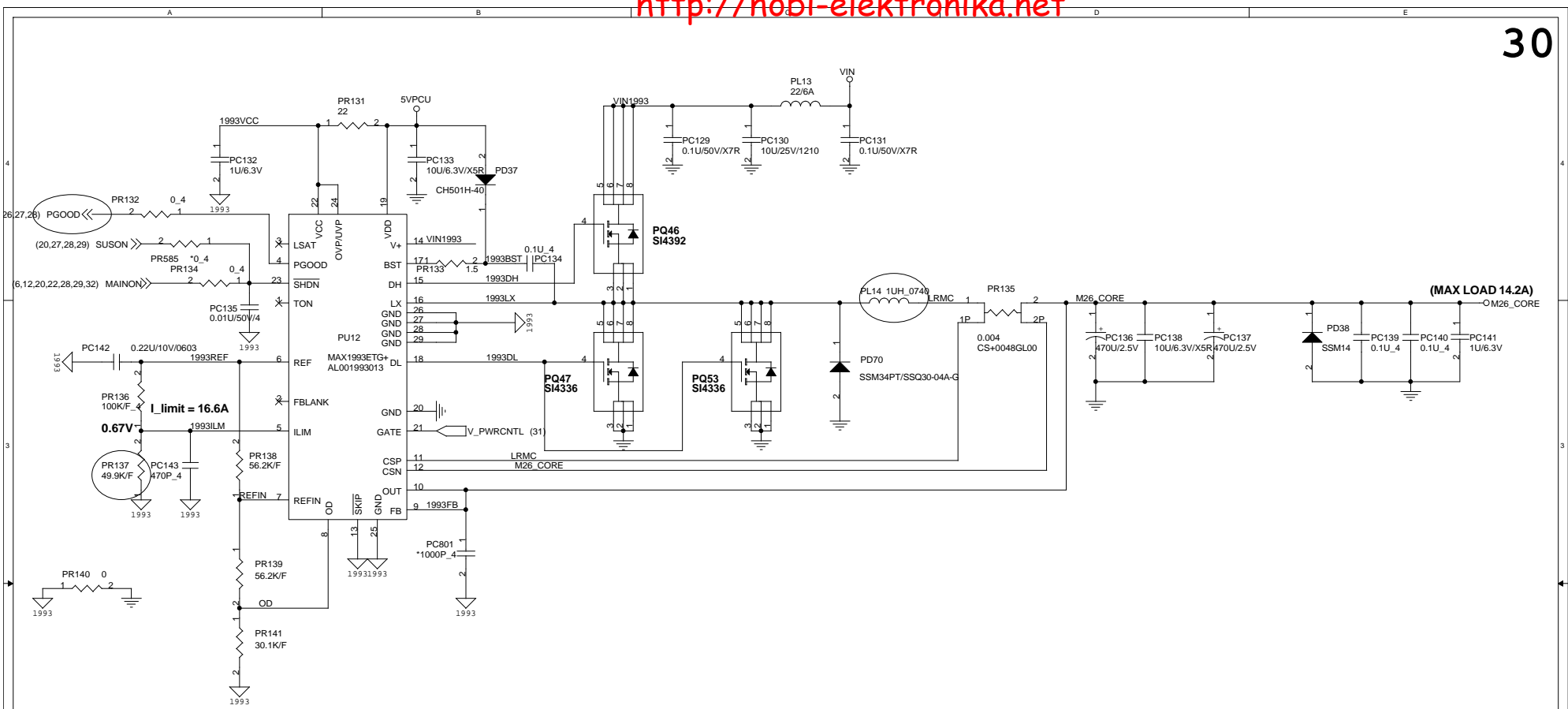


**QUANTA COMPUTER**

Size	Document Number	Rev
	<b>RJ1 Main Board</b>	<b>2A</b>

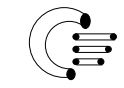
Date: Tuesday, May 10, 2005 Sheet 29 of 36

1. This part should not contain any substances which are specified in SS-00259-1  
 2. Purchase ink, paint, wire rods and molding resins only from the business partners that Sony approves as Green Partners.



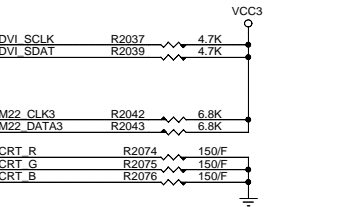
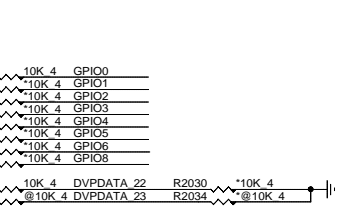
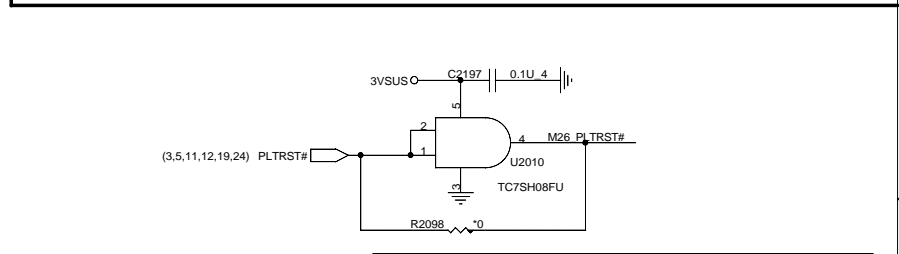
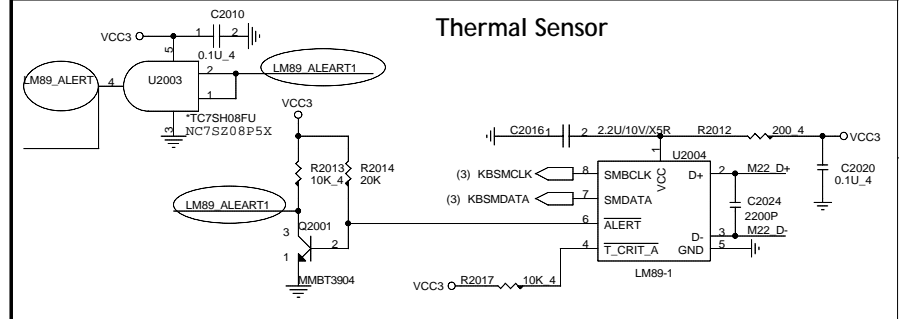
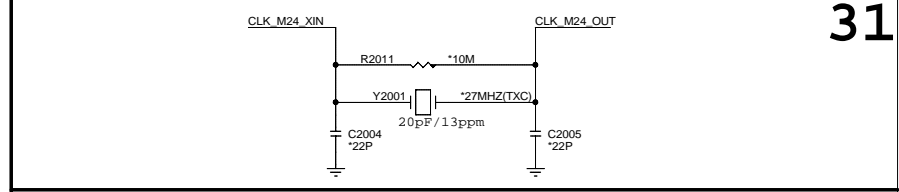
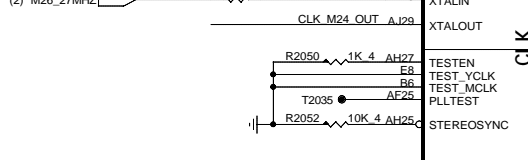
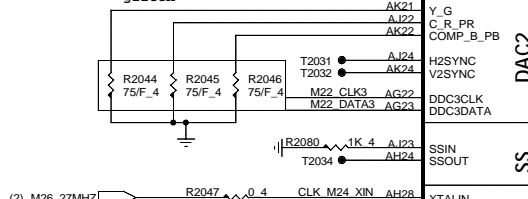
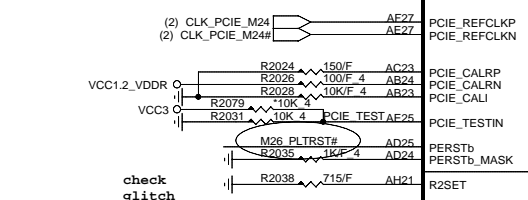
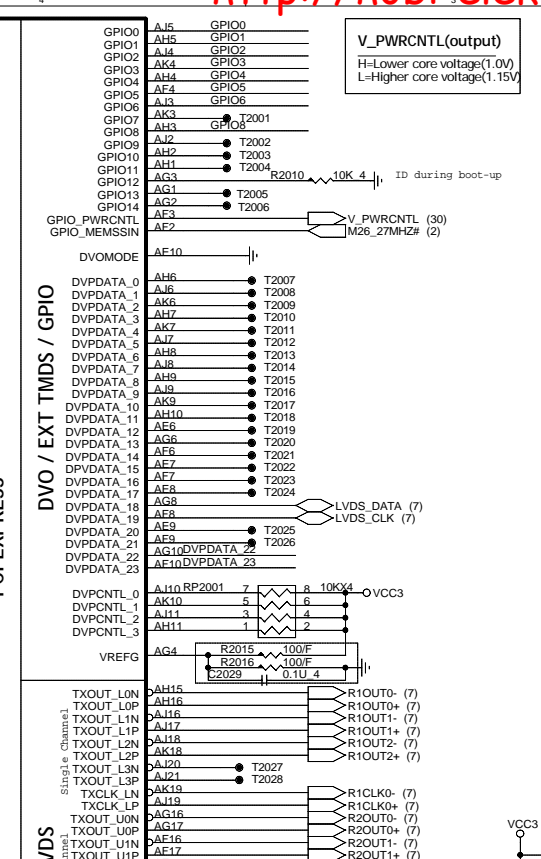
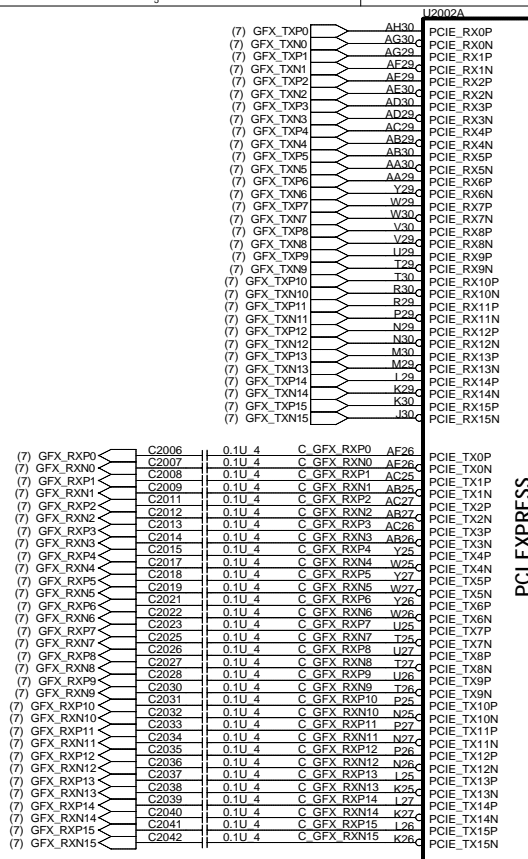
M24\_CORE voltage setting:

	PR138	PR139	PR141	V_PWRCNTL	
	Value	Value	Value	Low	High
M24	49.9 K/F	49.9 K/F	27.4 K/F	1.215V	1V
	56.2 K/F	56.2 K/F	30.1 K/F	1.211V	1V



**QUANTA  
COMPUTER**

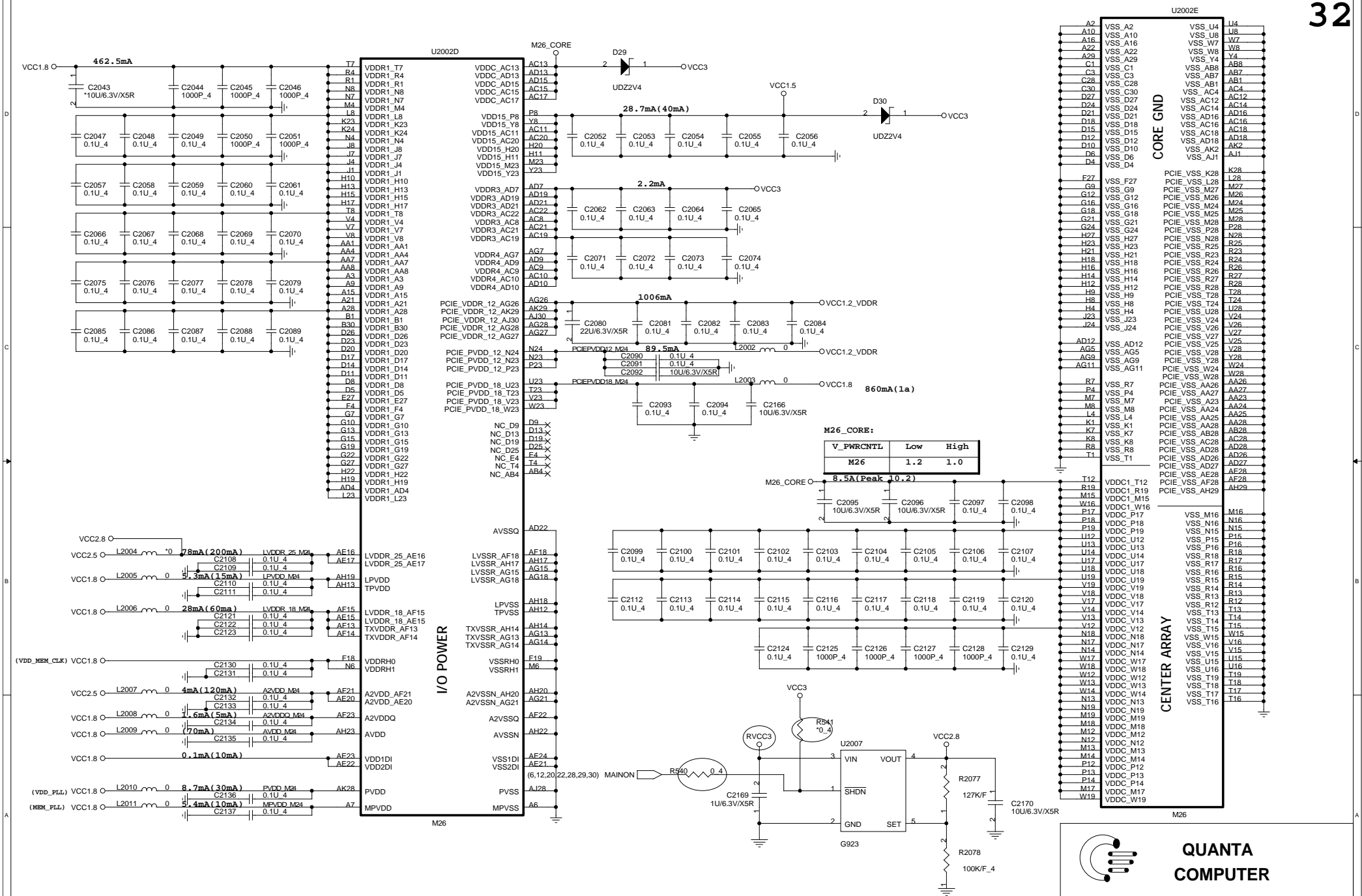
1. This part should not contain any substances which are specified in SS-00259-1.  
 2. Purchase ink, paint, wire rods and molding resins only from the business partners that Sony approves as Green Partners.



DVPDATA	DATA23	DATA22	Vendor	MEM SIZE
22-23	0	0	Hynix	64M
	0	1	Hynix	128M
MEM TYPE	+ 1	0	Samsung	64M
		1	Samsung	128M

PCI_TEST	ATI Internal USE
0: Default	
GPIO_0	Transmitter Power Savings Enable 0: 50% Tx output swing for mobile mode 1: full Tx output swing
GPIO_1	Transmitter De-emphasis Enable 0: Tx de-emphasis disabled for mobile mode 1: Tx de-emphasis enabled
GPIO_(3,2)	00: PCI Express 1.0 mode 01: Kyrene-compatible mode 10: PCI Express 1.0 mode 11: PCI Express 1.0A mode and short-circuit internal loopback mode (Rx connected directly to Tx of PHY)
GPIO_4	0: NON REVERSED LANES IN LAYOUT 1: REVERSED LANES IN LAYOUT
GPIO_5	DO NOT FORCE COMPLIANCE STATE QUICKLY
GPIO_6	COMMON MODE RANGE 0: Default
GPIO_8	DEBUG SIGNALS NOT BROUGHT OUT
GPIO(9,13;11)	NO USE:0000 (ID[1:4] = GPIO[11,12,13,9]) 0x0x: No ROM, CHG_ID=0 0x1x: No ROM, CHG_ID=1 1011 - Serial M25P10 ROM (ST), chip ID is from ROM 1100 - Serial M25P05 ROM (ST), chip ID is from ROM

1. This part should not contain any substances which are specified in SS-00259-1  
2. Purchase ink, paint, wire rods and molding resins only from the business partners that Sony approves as Green Partners.



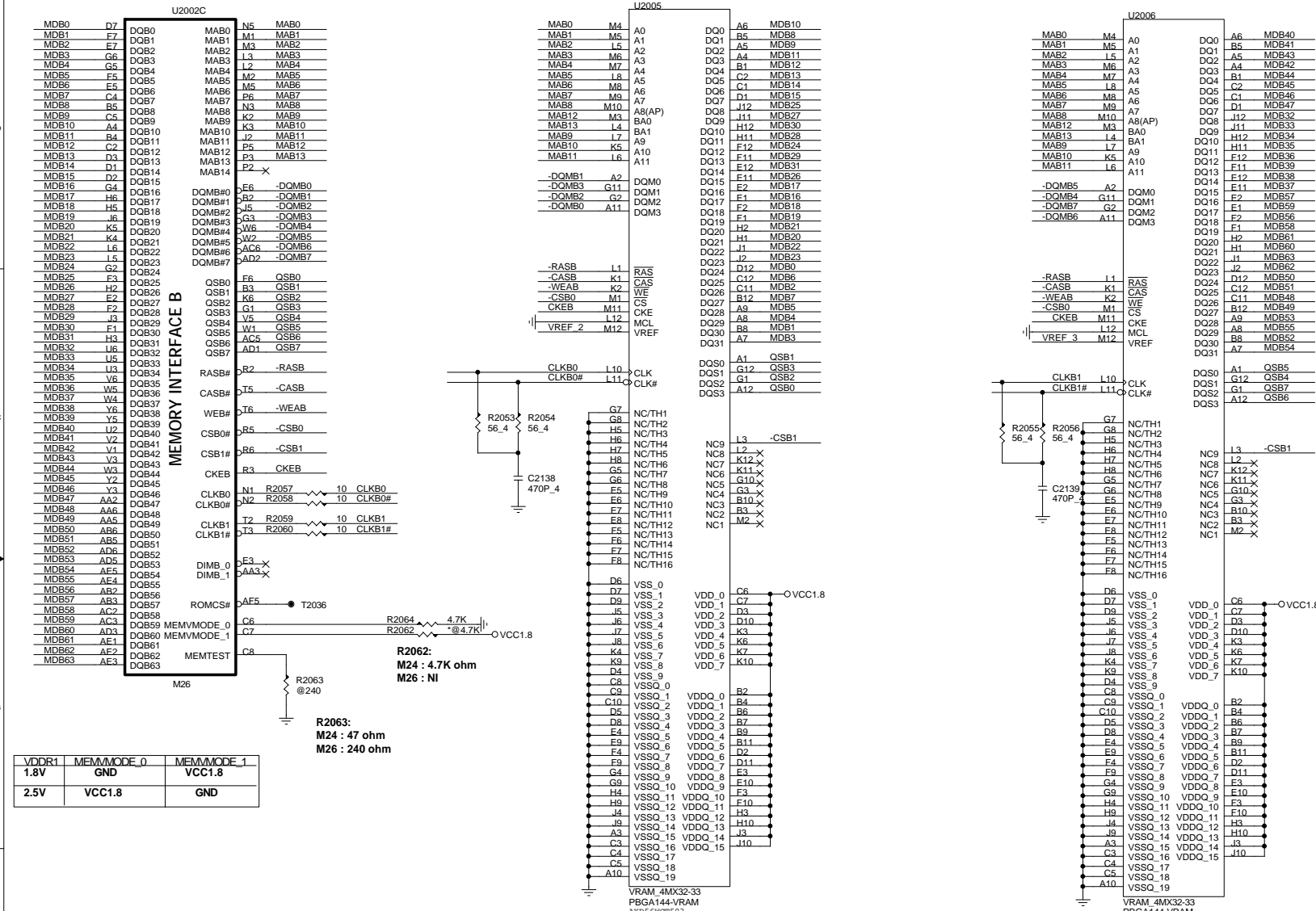
**QUANTA COMPUTER**

Size: \_\_\_\_\_ Document Number: **RJ1 ATI M26** Rev: **2A**

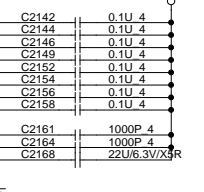
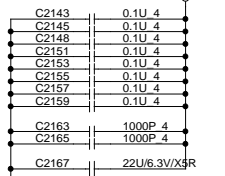
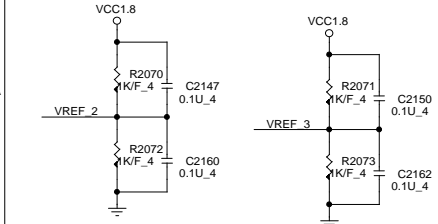
Date: Thursday, May 26, 2005 Sheet: 32 of 36

1. This part should not contain any substances which are specified in SS-00259-1  
 2. Purchase ink, paint, wire rods and molding resins only from the business partners that Sony approves as Green Partners



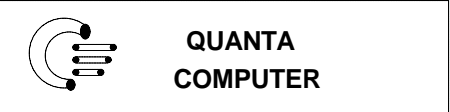
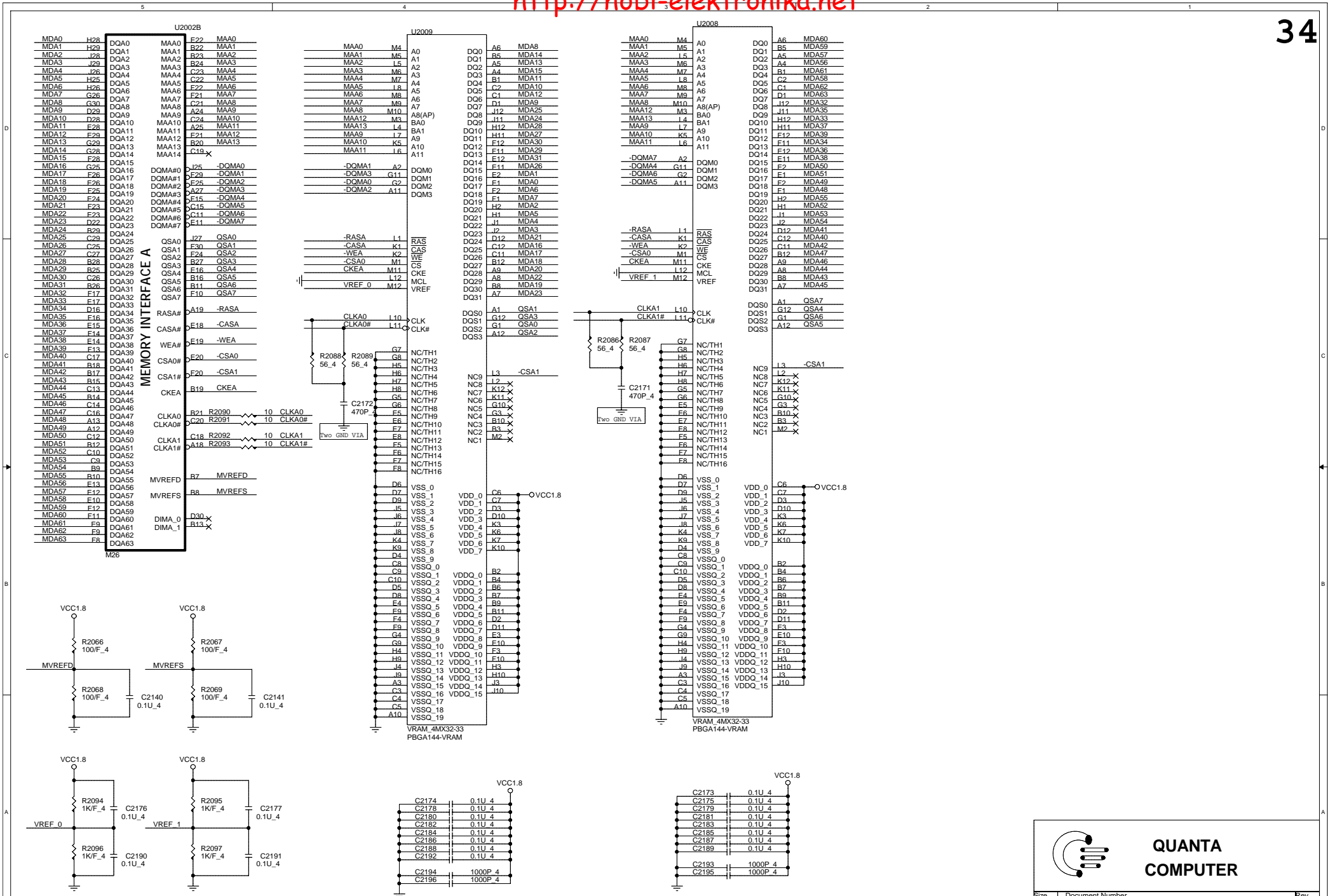


VDDR1	MEMM/MODE_0	MEMM/MODE_1
1.8V	GND	VCC1.8
2.5V	VCC1.8	GND



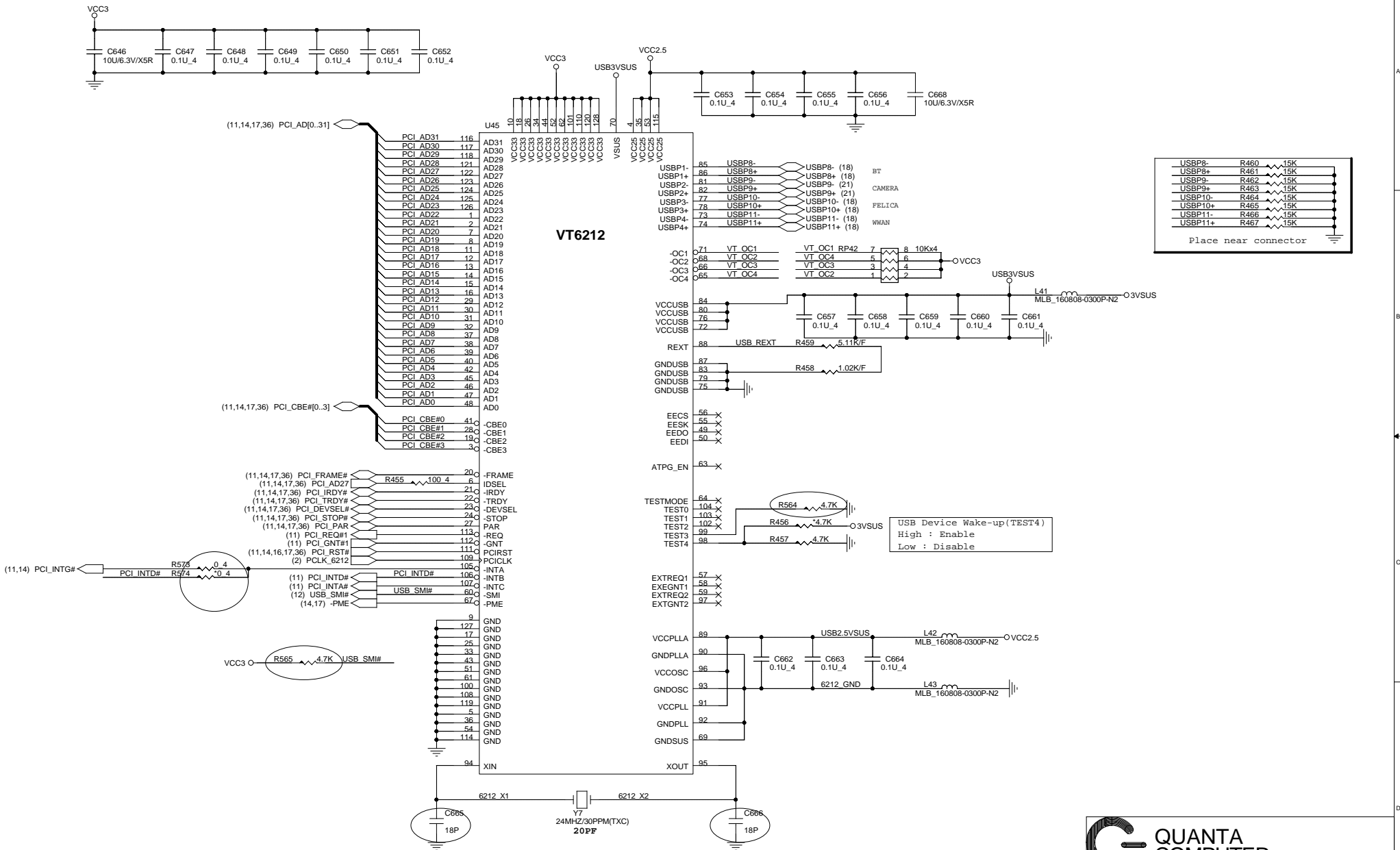
1. This part should not contain any substances which are specified in SS-00259-1  
 2. Purchase ink, paint, wire rods and molding resins only from the business partners that Sony approves as Green Partners.

**QUANTA COMPUTER**  
 RJ1 ATI M26  
 Rev 1A  
 Date: Monday, May 09, 2005 Sheet 33 of 36



Size	Document Number	Rev
	RJ1 ATI M26	1A
Date:	Friday, May 06, 2005	Sheet 34 of 36

1. This part should not contain any substances which are specified in SS-00259-1  
 2. Purchase ink, paint, wire rods and molding resins only from the business partners that Sony approves as G&E Partners.



USBP8-	R460	15K
USBP8+	R461	15K
USBP9-	R462	15K
USBP9+	R463	15K
USBP10-	R464	15K
USBP10+	R465	15K
USBP11-	R466	15K
USBP11+	R467	15K

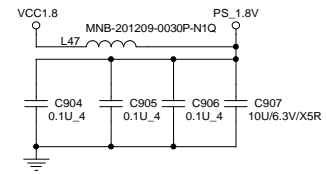
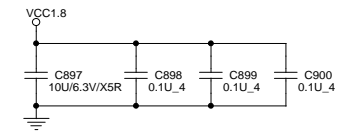
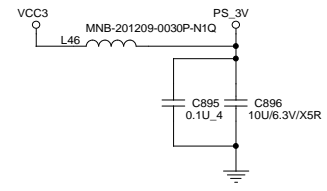
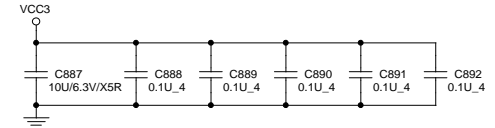
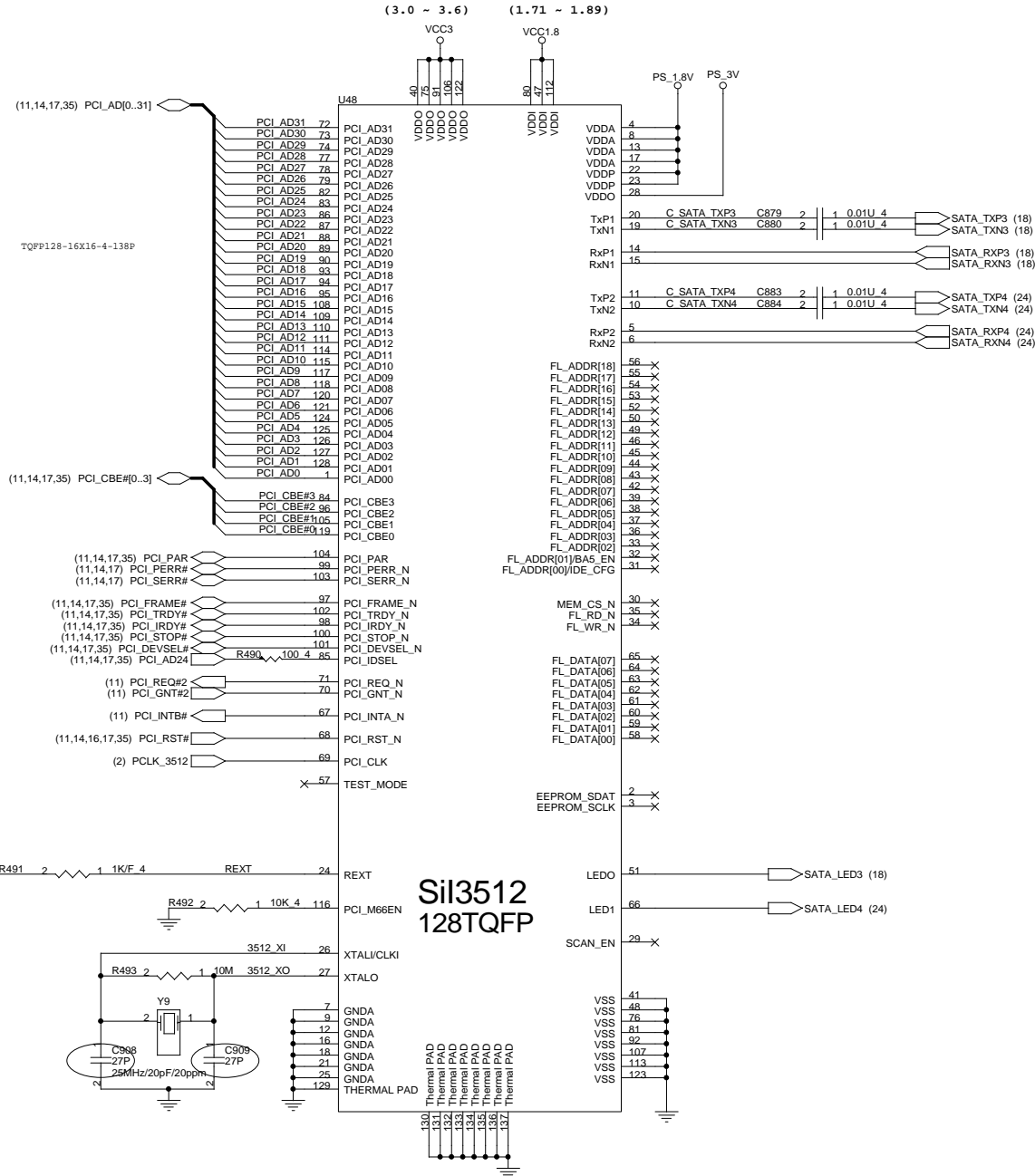
Place near connector

USB Device Wake-up (TEST4)  
High : Enable  
Low : Disable



Title		
USB Controller VT6212		
Size	Document Number	Rev
Custbrn	RJ1 Main Board	2A
Date:	Thursday, May 26, 2005	Sheet 35 of 36

1. This part should not contain any substances which are specified in SS-00259-1  
2. Purchase ink, paint, wire rods and molding resins only from the business partners that Sony approves as Green Partners.



Title			PCI-SATA Si3512		
Size	Document Number	Rev			2A
Custom	RJ1 Main Board				
Date:	Thursday, May 26, 2005	Sheet	36	of	36

1. This part should not contain any substances which are specified in SS-00259-1  
 2. Purchase ink, paint, wire rods and holding resins only from the business partner that Sony approves as Green Partners.