

SATA Spread and Frequency Selection Table (SEL_SATA) :

SEL_SATA	SS3	SS2	VCO MHz	27,26 MHz	Spread %
1	0	0	tbd	100	-0.2 Down
1	0	1	tbd	100	-0.3 Down
1	1	0	tbd	100	-0.4 Down
1	1	1	tbd	100	-0.5 Down

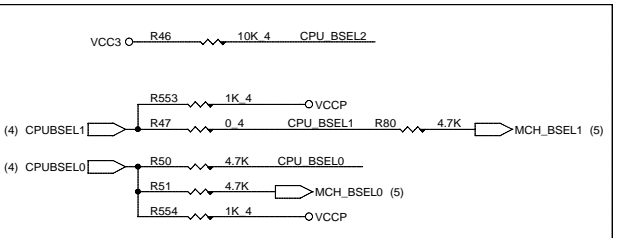
SEL_SRC0 (Pin 17,18) (R4)
 0: LCDCCLK Pair
 1: SRCCLK0 pair

SEL_SATA (Pin 26,27) (R44)
 0: Clock from SRC PLL
 1: Clock from SATA PLL

SEL_LCD (Pin 17,18) (R6)
 0: 27MHzSS/27MHzSS# pair (M24/M26)
 1: LCDCCLK pair (915GM)

ITP_EN Function (Pin 35,36) (R15)
 0: SRC_7 Pair (Pin 35,36)
 1: CPU_2_ITP Pair (Pin 35,36)

IREF (Pin 39) :
 475_1% : Sets the IREF current to 2.32mA



FSC BSEL0	FSB BSEL1	FSA BSEL2	CPU	SRC	PCI	REF	USB	DOT	Spread %
0	0	0	266.66	100	33.33	14.318	48	96	0.5 Down
* 0	0	1	133.33	100	33.33	14.318	48	96	0.5 Down
0	1	0	200.00	100	33.33	14.318	48	96	0.5 Down
0	1	1	166.66	100	33.33	14.318	48	96	0.5 Down
1	0	0	333.33	100	33.33	14.318	48	96	0.5 Down
* 1	0	1	100.00	100	33.33	14.318	48	96	0.5 Down
1	1	0	400.00	100	33.33	14.318	48	96	0.5 Down
1	1	1	200.00	100	33.33	14.318	48	96	0.5 Down

LCDCCLK Spread and Frequency Selection Table (SEL_LCD) :

SEL_LCD	SS3	SS2	SS1	SS0	VCO MHz	17,18 MHz	Spread %	SEL_LCD	SS3	SS2	SS1	SS0	VCO MHz	17,18 MHz	Spread %
1	0	0	0	0	500	100	+/-1.5	0	0	0	0	0	864	27	+/-0.25
1	0	0	0	1	500	100	+/-1.25	0	0	0	0	1	864	27	+/-0.5
1	0	0	1	0	500	100	+/-1.0	0	0	0	1	0	864	27	+/-0.75
1	0	0	1	1	500	100	+/-0.8	0	0	0	1	1	864	27	+/-1
1	0	1	0	0	500	100	+/-0.6	0	0	1	0	0	864	27	+/-1.25
1	0	1	0	1	500	100	+/-0.5	0	0	1	0	1	864	27	+/-1.5
1	0	1	1	0	500	100	+/-0.4	0	0	1	1	0	864	27	+/-1.75
1	0	1	1	1	500	100	+/-0.3	0	0	1	1	1	864	27	+/-2
1	1	0	0	0	500	100	3	0	1	0	0	0	864	27	-0.5
1	1	0	0	1	500	100	2.5	0	1	0	0	1	864	27	-1
1	1	0	1	0	500	100	2	0	1	0	1	0	864	27	-1.25
1	1	0	1	1	500	100	1.75	0	1	0	1	1	864	27	-1.5
1	1	1	0	0	500	100	1.5	0	1	1	0	0	864	27	-1.75
1	1	1	0	1	500	100	1.25	0	1	1	0	1	864	27	-2
1	1	1	1	0	500	100	1	0	1	1	1	0	864	27	-2.5
1	1	1	1	1	500	100	0.8	0	1	1	1	1	864	27	-3

Signal		915GM	915PM
CLK_PCIE_M24	RP32	NI	33X2
	RP45	NI	49.9/Fx2_4
DREFSSCLK	RP36	33X2	NI
	RP48	49.9/Fx2_4	NI
DREFCLK	RP37	33X2	NI
	RP49	49.9/Fx2_4	NI
DREFSSCLK	R528	NI	121/F
	R529	NI	33
R_PCLK_ICh6	R6	NI	10K_4

QUANTA COMPUTER

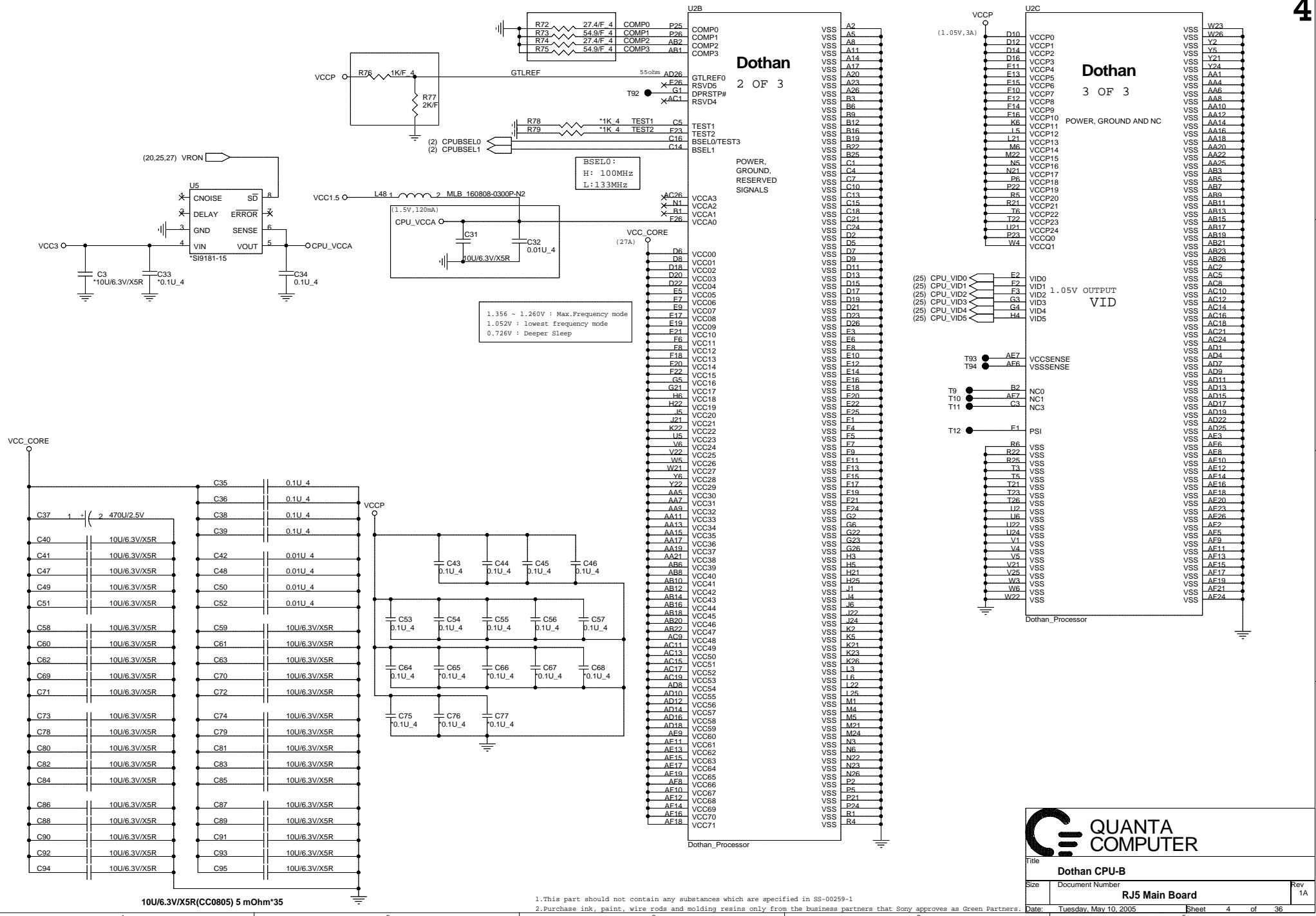
Title: **CLOCK GENERATOR**

Size: _____ Document Number: _____ Rev 1A

RJ5 Main Board

Date: Tuesday, May 10, 2005 Sheet 2 of 36

1. This part should not contain any substances which are specified in SS-00259-1
 2. Purchase ink, paint, wire rods and molding resins only from the business partners that Sony approves as Green Partners.

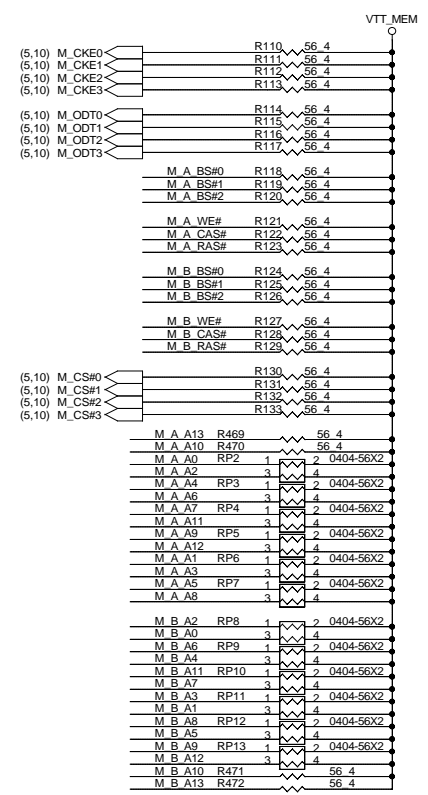
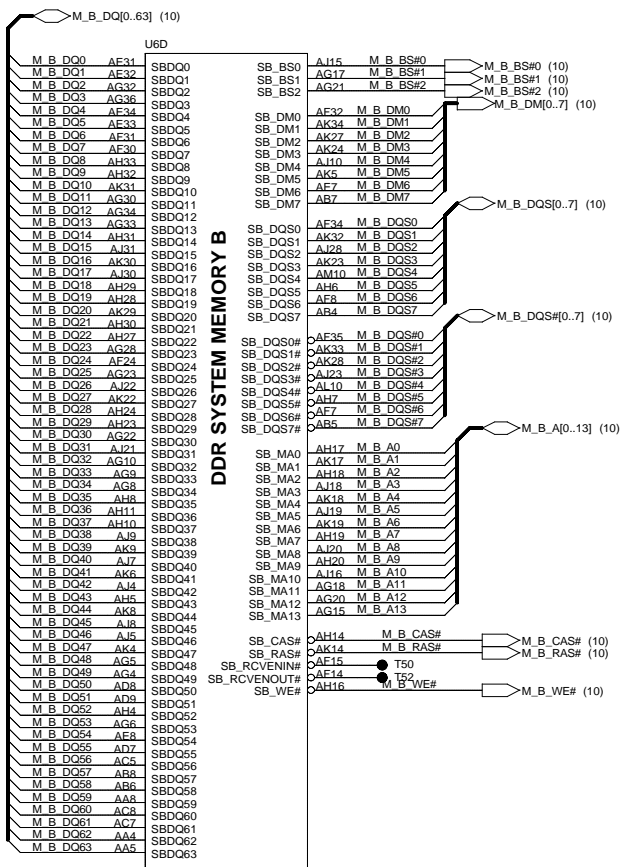
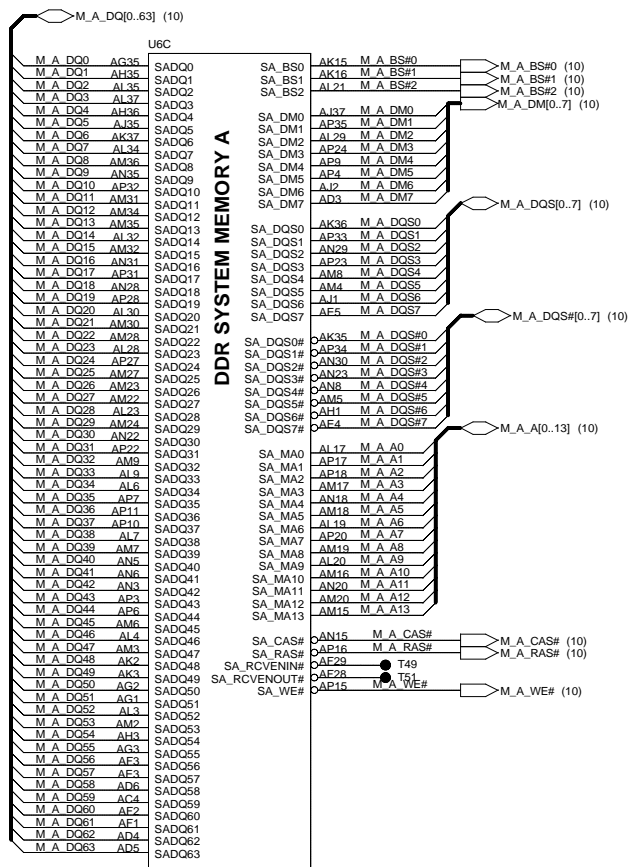


10U/6.3V/X5R(CC0805) 5 mOhm*35

1. This part should not contain any substances which are specified in SS-00259-1
 2. Purchase ink, paint, wire rods and molding resins only from the business partners that Sony approves as Green Partners.



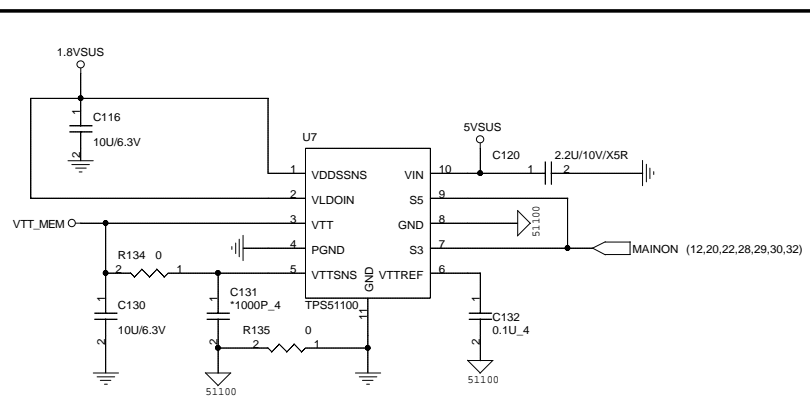
Title		Dothan CPU-B	
Size		Document Number	
Date:		Tuesday, May 10, 2005	
Sheet		4 of 36	
Rev		1A	



ALVISO_1257P

ALVISO_1257P

VTT_MEM	Value	Pin
C100	*10U/6.3V/X5R	56 4
C101	*10U/6.3V/X5R	56 4
C102	0.1U 4	56 4
C103	0.1U 4	56 4
C104	0.1U 4	56 4
C105	0.1U 4	56 4
C106	0.1U 4	56 4
C107	0.1U 4	56 4
C108	0.1U 4	56 4
C109	0.1U 4	56 4
C110	0.1U 4	56 4
C111	*0.1U 4	56 4
C112	*0.1U 4	56 4
C113	0.1U 4	56 4
C114	0.1U 4	56 4
C115	0.1U 4	56 4
C117	0.1U 4	56 4
C118	0.1U 4	56 4
C119	*0.1U 4	56 4
C121	0.1U 4	56 4
C122	0.1U 4	56 4
C123	0.1U 4	56 4
C124	*0.1U 4	56 4
C125	0.1U 4	56 4
C126	0.1U 4	56 4
C127	0.1U 4	56 4
C128	*0.1U 4	56 4
C129	0.1U 4	56 4
M A10	R471	56 4
M A13	R472	56 4



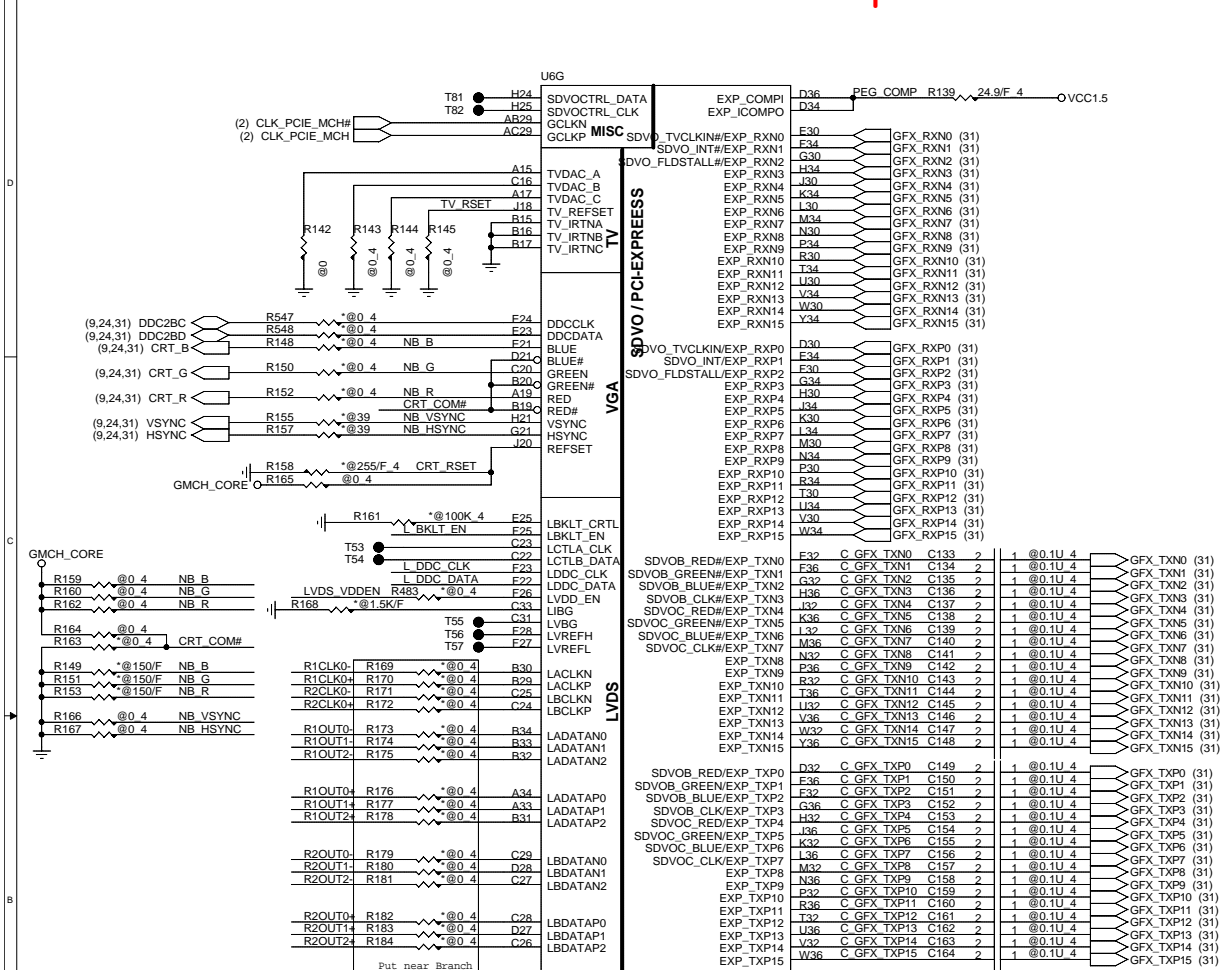
QUANTA COMPUTER

Title: **Alviso-DDRII**

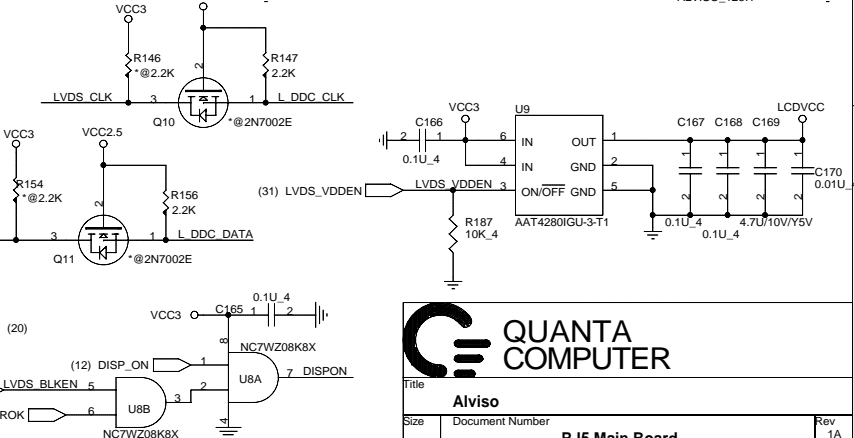
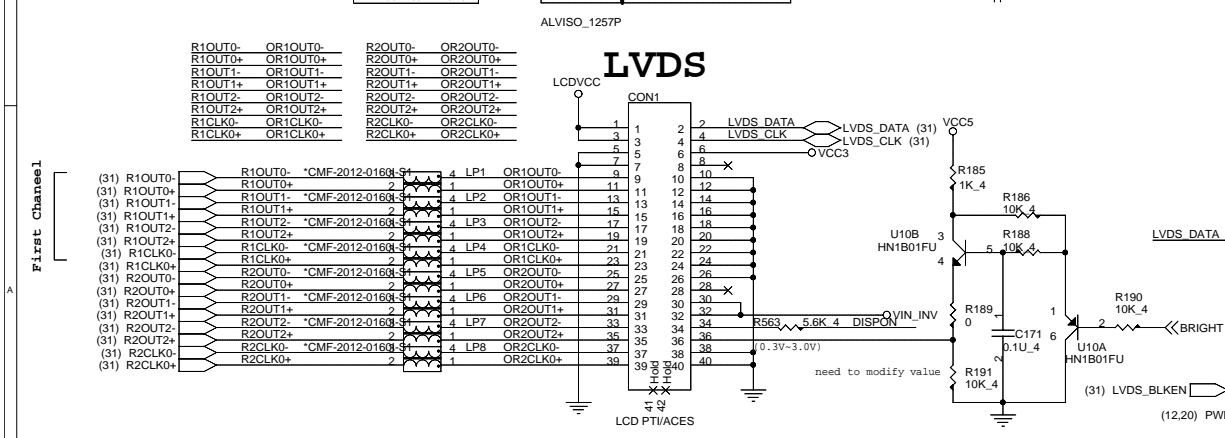
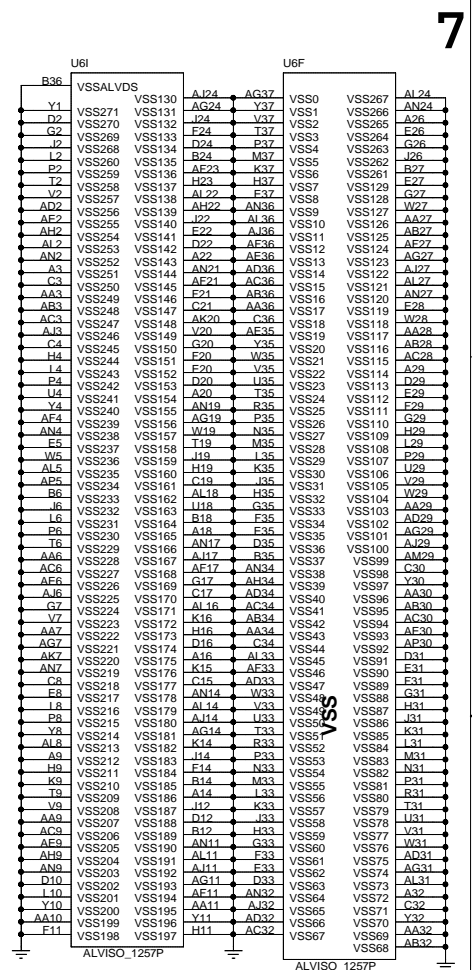
Size: _____ Document Number: _____ Rev: 1A

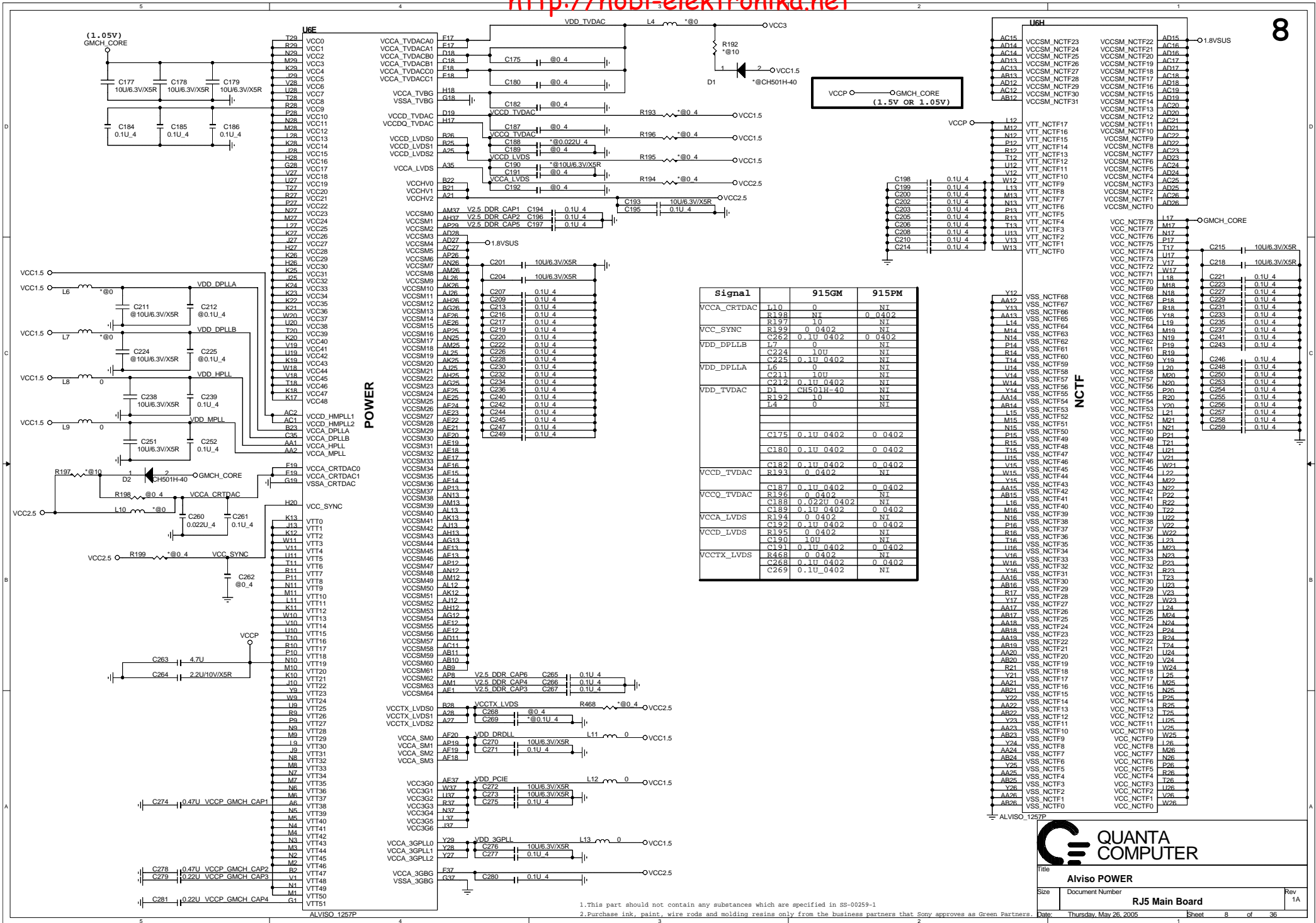
RJ5 Main Board

Date: Tuesday, May 10, 2005 Sheet 6 of 36



Signal	915GM	915PM
TV_RST	R145 4.99K/F_0402	0_0402
TV_COMP	R142 150/F	0_0603
	R143 75/F 4	0_0402
	R144 75/F 4	0_0402
VSYNC	R155 39	NI
	R156 NI	0_0402
HSYNC	R157 39	NI
	R161 100K	NI
L_BKLT_CRTL	R140 100K	NI
	R168 1.5K	NI
LVDS_CLK	O10 NI	NI
	R146 2.2K	NI
LVDS_DATA	O11 NI	NI
	R154 2.2K	NI
	R153 150/F	NI
NB_R	R152 0_0402	NI
	R151 150/F	NI
	R162 NI	0_0402
NB_G	R150 0_0402	NI
	R160 NI	0_0402
NB_B	R148 0_0402	NI
	R149 150/F	NI
	R159 NI	0_0402
CRT_COM#	R163 0_0402	NI
	R164 NI	0_0402
CRT_RST	R158 255/F 0402	NI
	R165 NI	0_0402
LVDS	R169 0_0402	NI
	R170 0_0402	NI
	R171 0_0402	NI
	R172 0_0402	NI
	R173 0_0402	NI
	R174 0_0402	NI
	R175 0_0402	NI
	R176 0_0402	NI
	R177 0_0402	NI
	R178 0_0402	NI
	R179 0_0402	NI
	R180 0_0402	NI
	R181 0_0402	NI
	R182 0_0402	NI
	R183 0_0402	NI
	R184 0_0402	NI
LVDS_VDDEN	R483 0_0402	NI
GFX	C133 NI	0.1u_4
	-C164	
L_BKLT_EN	Q9 2N7002E	NI
	R138 2.2K	NI
	R147 0_0402	NI
	R148 0_0402	NI





Signal	915GM	915PM
VCCA_CRTDAC	L10 0	NI
VCC_SYNC	R198 NI	0 0.402
VDD_DPLLB	L7 0	NI
VDD_DPLLA	L6 0	NI
VDD_TVDAC	D1 CH501H-40	NI
VCCD_TVDAC	R182 0	0.402
VCCQ_TVDAC	R193 0.1U 0.402	0 0.402
VCCA_IVDS	R194 0.1U 0.402	NI
VCCD_LVDS	C191 0.022U 4	NI
VCCTX_LVDS	R468 0.1U 0.402	NI
VCCD_PCIE	L12 0	0.402
VCCA_3GPLL0	Y29 0.47U	0.402
VCCA_3GPLL1	Y28 0.47U	0.402
VCCA_3GPLL2	Y27 0.47U	0.402
VCCA_3GBG	E37 0.1U	0.402
VSSA_3GBG	G37 0.1U	0.402

Y12	VSS_NCTF68	VSS_NCTF67	VSS_NCTF66	VSS_NCTF65	VSS_NCTF64	VSS_NCTF63	VSS_NCTF62	VSS_NCTF61	VSS_NCTF60	VSS_NCTF59	VSS_NCTF58	VSS_NCTF57	VSS_NCTF56	VSS_NCTF55	VSS_NCTF54	VSS_NCTF53	VSS_NCTF52	VSS_NCTF51	VSS_NCTF50	VSS_NCTF49	VSS_NCTF48	VSS_NCTF47	VSS_NCTF46	VSS_NCTF45	VSS_NCTF44	VSS_NCTF43	VSS_NCTF42	VSS_NCTF41	VSS_NCTF40	VSS_NCTF39	VSS_NCTF38	VSS_NCTF37	VSS_NCTF36	VSS_NCTF35	VSS_NCTF34	VSS_NCTF33	VSS_NCTF32	VSS_NCTF31	VSS_NCTF30	VSS_NCTF29	VSS_NCTF28	VSS_NCTF27	VSS_NCTF26	VSS_NCTF25	VSS_NCTF24	VSS_NCTF23	VSS_NCTF22	VSS_NCTF21	VSS_NCTF20	VSS_NCTF19	VSS_NCTF18	VSS_NCTF17	VSS_NCTF16	VSS_NCTF15	VSS_NCTF14	VSS_NCTF13	VSS_NCTF12	VSS_NCTF11	VSS_NCTF10	VSS_NCTF9	VSS_NCTF8	VSS_NCTF7	VSS_NCTF6	VSS_NCTF5	VSS_NCTF4	VSS_NCTF3	VSS_NCTF2	VSS_NCTF1	VSS_NCTF0
AA12	VSS_NCTF68	VSS_NCTF67	VSS_NCTF66	VSS_NCTF65	VSS_NCTF64	VSS_NCTF63	VSS_NCTF62	VSS_NCTF61	VSS_NCTF60	VSS_NCTF59	VSS_NCTF58	VSS_NCTF57	VSS_NCTF56	VSS_NCTF55	VSS_NCTF54	VSS_NCTF53	VSS_NCTF52	VSS_NCTF51	VSS_NCTF50	VSS_NCTF49	VSS_NCTF48	VSS_NCTF47	VSS_NCTF46	VSS_NCTF45	VSS_NCTF44	VSS_NCTF43	VSS_NCTF42	VSS_NCTF41	VSS_NCTF40	VSS_NCTF39	VSS_NCTF38	VSS_NCTF37	VSS_NCTF36	VSS_NCTF35	VSS_NCTF34	VSS_NCTF33	VSS_NCTF32	VSS_NCTF31	VSS_NCTF30	VSS_NCTF29	VSS_NCTF28	VSS_NCTF27	VSS_NCTF26	VSS_NCTF25	VSS_NCTF24	VSS_NCTF23	VSS_NCTF22	VSS_NCTF21	VSS_NCTF20	VSS_NCTF19	VSS_NCTF18	VSS_NCTF17	VSS_NCTF16	VSS_NCTF15	VSS_NCTF14	VSS_NCTF13	VSS_NCTF12	VSS_NCTF11	VSS_NCTF10	VSS_NCTF9	VSS_NCTF8	VSS_NCTF7	VSS_NCTF6	VSS_NCTF5	VSS_NCTF4	VSS_NCTF3	VSS_NCTF2	VSS_NCTF1	VSS_NCTF0

QUANTA COMPUTER

Alviso POWER

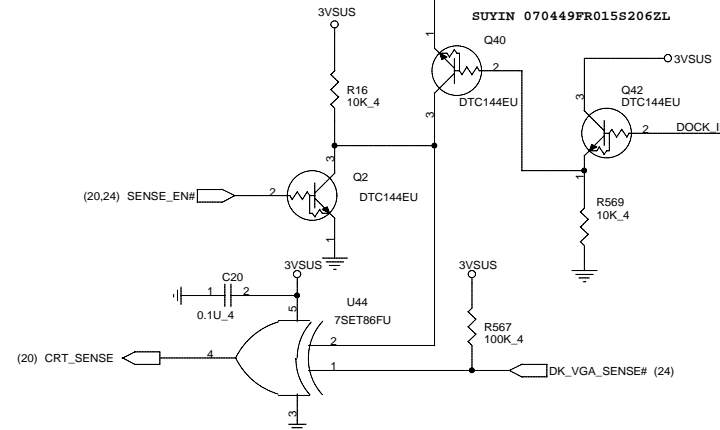
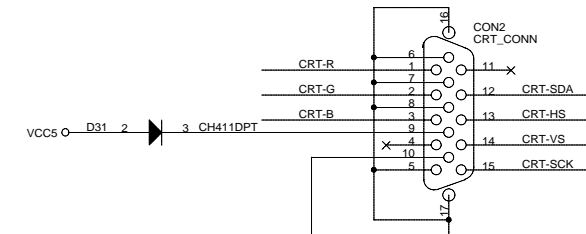
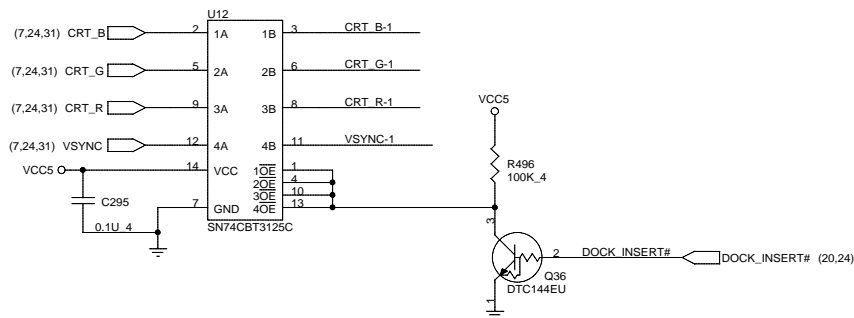
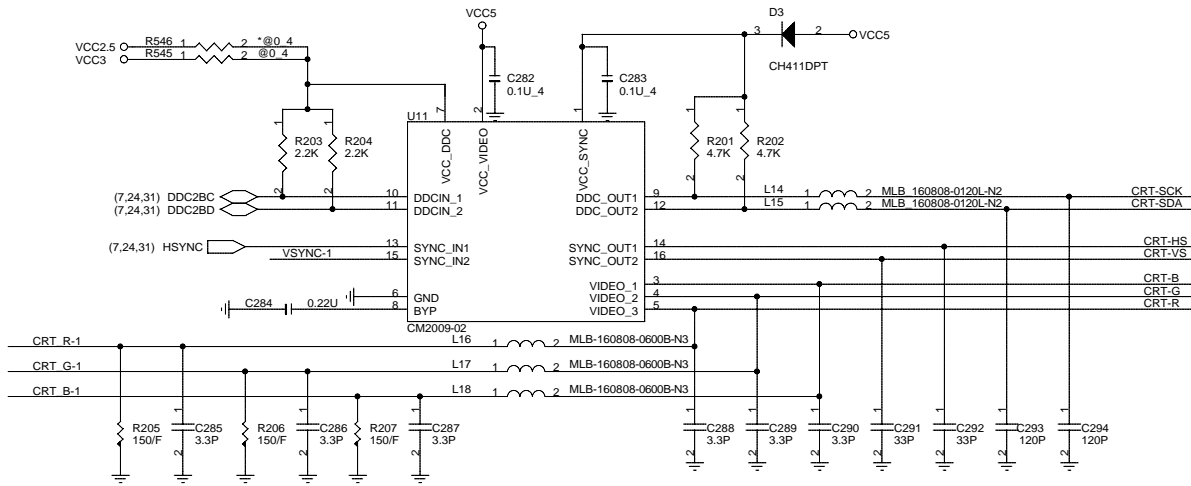
RJ5 Main Board

Rev 1A

Date: Thursday, May 26, 2005

Sheet 8 of 36

1. This part should not contain any substances which are specified in SS-00259-1
 2. Purchase ink, paint, wire rods and molding resins only from the business partners that Sony approves as Green Partners.



	SENSE_EN#	MB CRT	DOCK CRT	DOCK DVI	CRT_SENSE
All no Plug	L	H	H	L	L
MB CRT Plug	L	L	H	L	H
DOCK CRT Plug	L	H	L	L	H
DOCK DVI Plug	L	H	H	H	H
SENSE EN	H	X	X	X	L
DOCK CRT/DVI Plug	L	H	L	H	L
DOCK CRT/MB CRT Plug	L	L	L	L	L

7SET86FU

A	B	Y
H	H	L
H	L	H
L	H	H
L	L	L

Signal		915GM	915PM
VCC_DDC	R545	NI	0_4
	R546	0_4	NI

QUANTA COMPUTER

Title: CRT

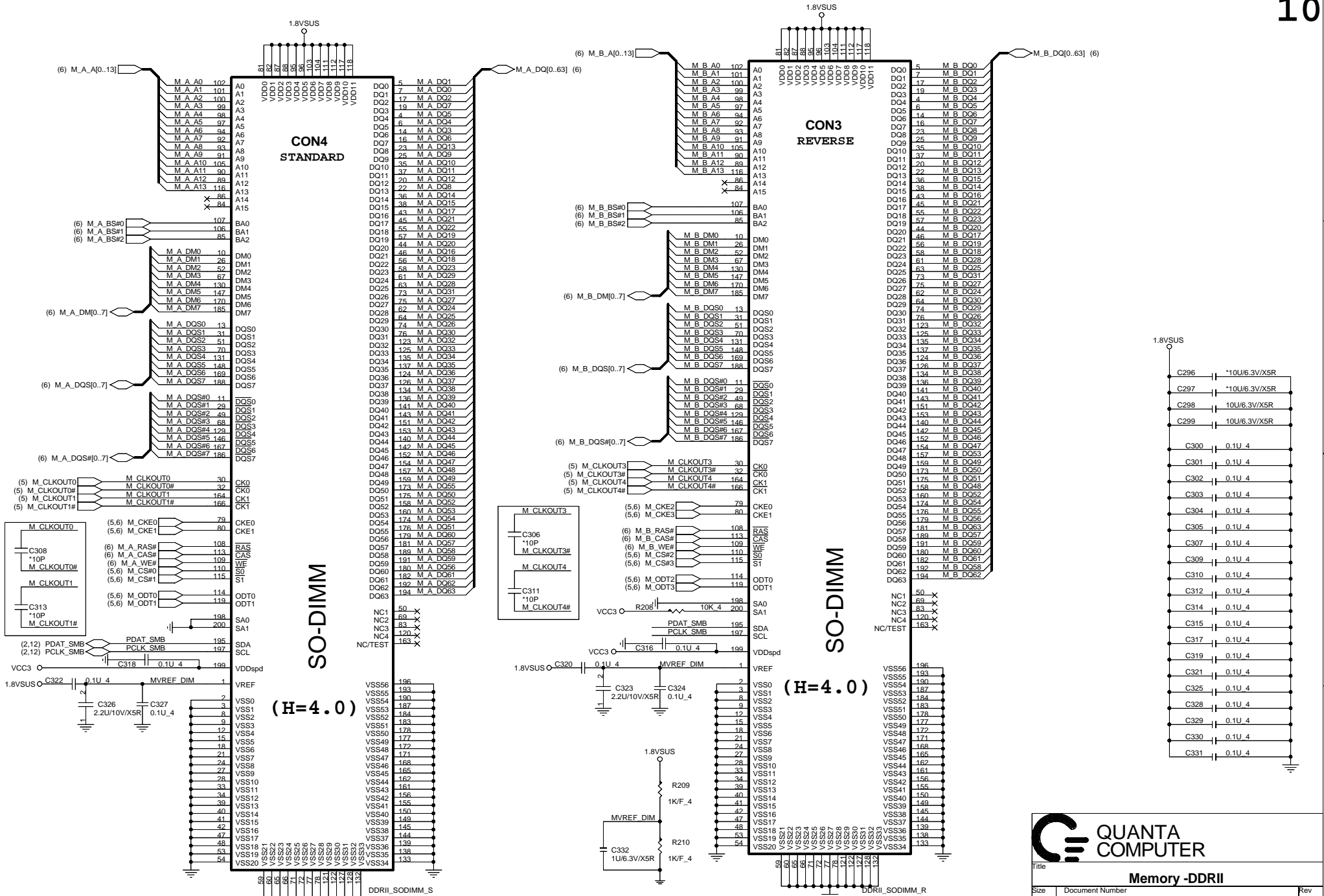
Size: Document Number

Rev: 1A

RJ5 Main Board

Date: Tuesday, May 10, 2005 Sheet 9 of 36

1. This part should not contain any substances which are specified in SS-00259-1
 2. Purchase ink, paint, wire rods and molding resins only from the business partners that Sony approves as Green Partners.



QUANTA COMPUTER

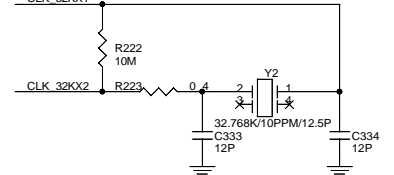
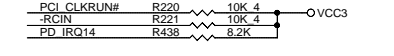
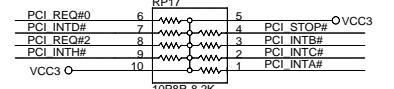
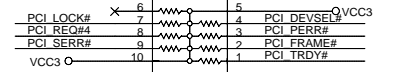
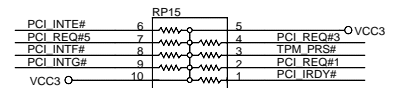
Title: **Memory -DDRII**

Size: Document Number: **RJ5 Main Board** Rev 1A

Date: Thursday, May 26, 2005 Sheet 10 of 36

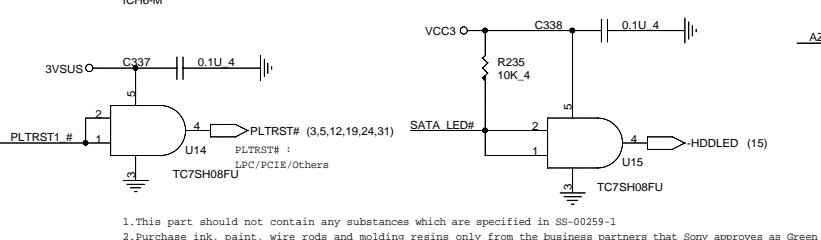
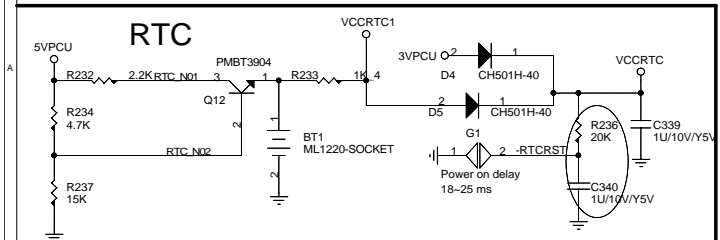
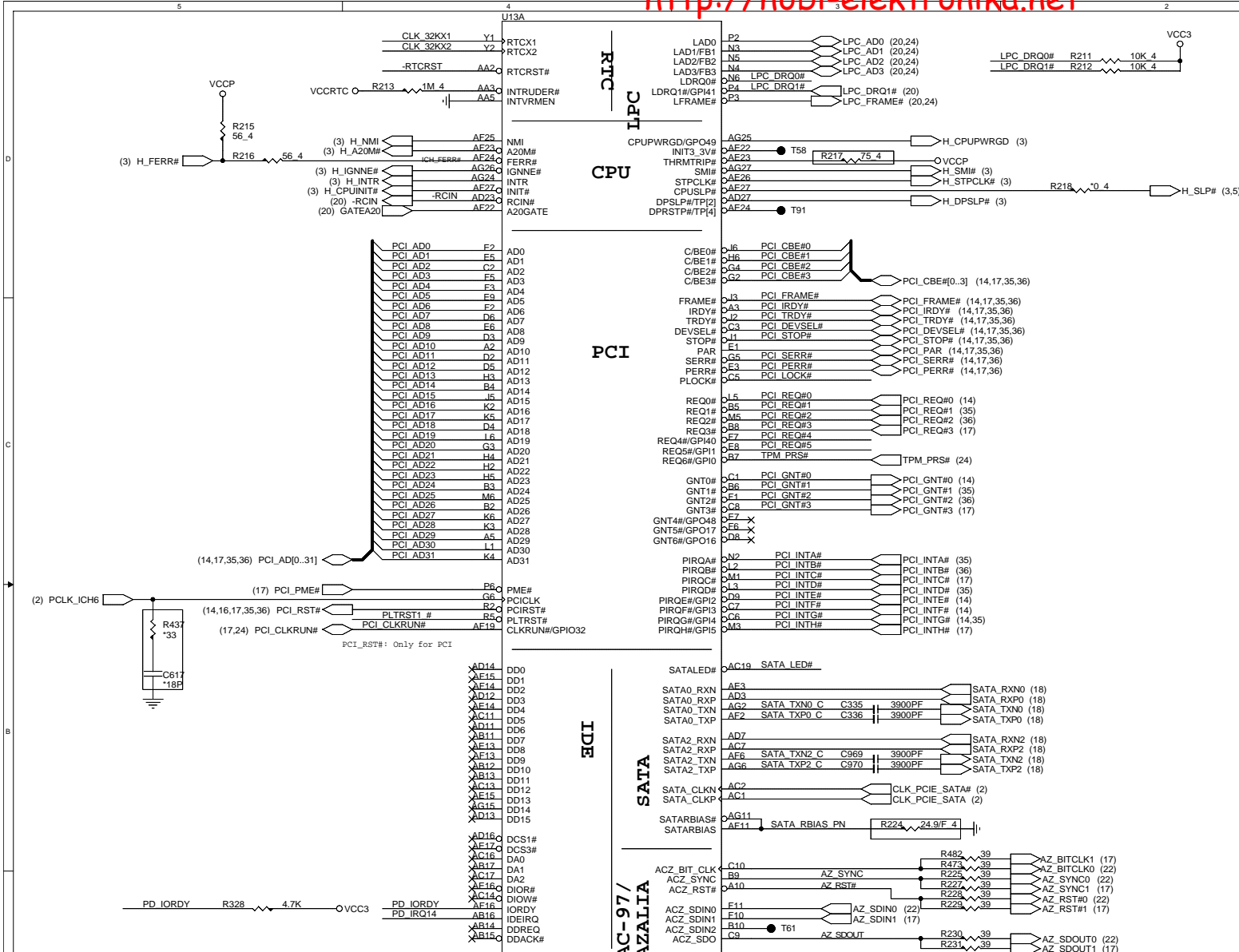
1. This part should not contain any substances which are specified in SS-00259-1.
 2. Purchase ink, paint, wire rods and molding resins only from the business partners that Sony approves as Green Partners.

	H_DPRSTP#	H_SLP#
For Dothan A-X step	*0	0
*For Dothan B-X step & later	0	*0



- PCI_REQ0 : TI-7411
- PCI_REQ1 : VT6212
- PCI_REQ2 : SATA(s11 3512)
- PCI_REQ3 : MINI PCI
- PCI_REQ4 : X
- PCI_REQ5 : X
- PCI_REQ6 : X
- IDESEL : (AD16 ~ 29)
- AD24 : SATA(s11 3512)
- AD25 : TI-7411
- AD26 : MINI PCI
- AD27 : VT6212

- PCI_INTA# : VT6212
- PCI_INTB# : SATA(s11 3512)
- PCI_INTC# : MINI PCI
- PCI_INTD# : VT6212
- PCI_INTE# : TI-7411
- PCI_INTF# : TI-7411
- PCI_INTG# : TI-7411, VT6212
- PCI_INTH# : MINI PCI



1. This part should not contain any substances which are specified in SS-00259-1
 2. Purchase ink, paint, wire rods and molding resins only from the business partners that Sony approves as Green Partners.

QUANTA COMPUTER

Title: **ICH6-M**

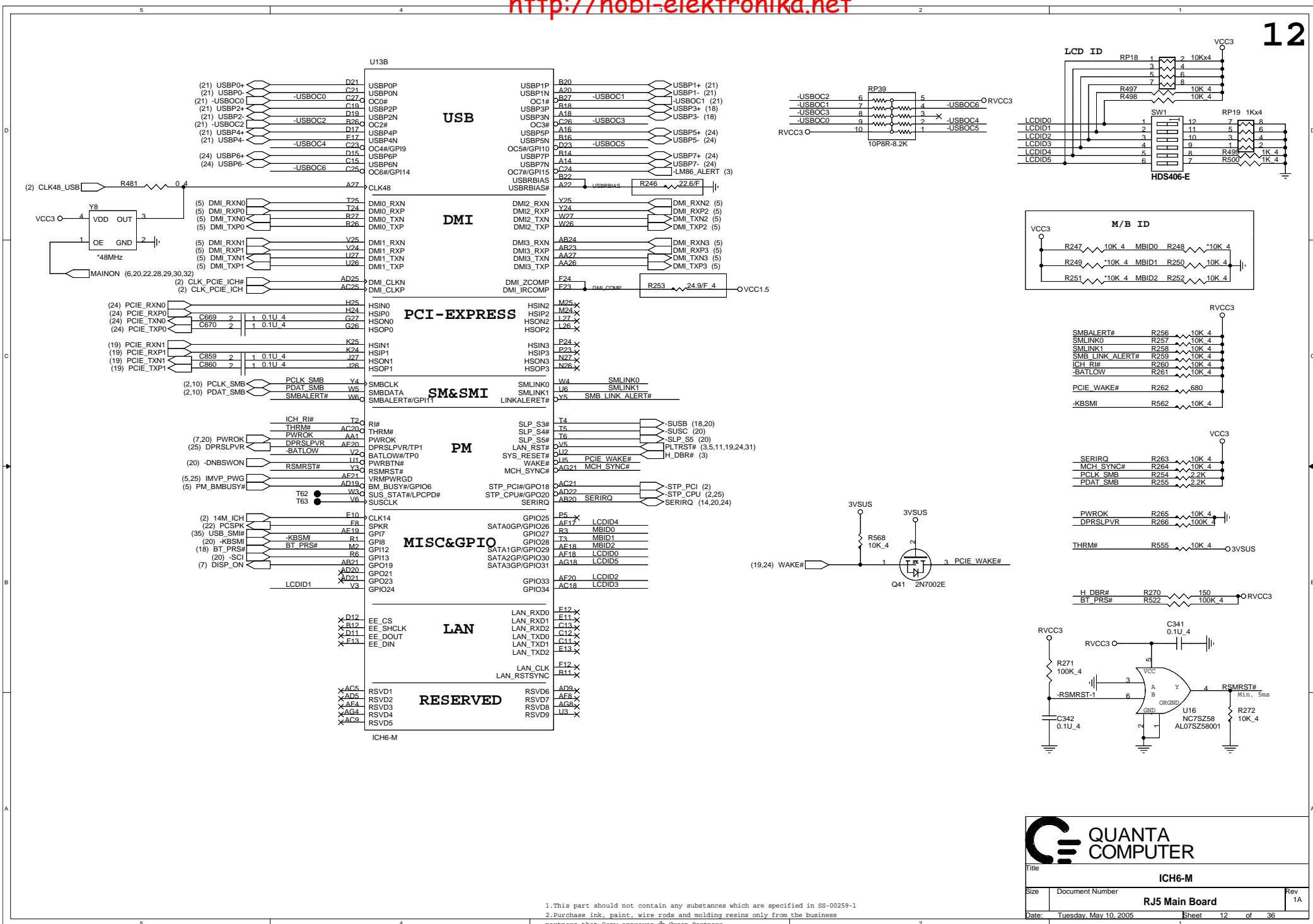
Size: Document Number

Rev: 1A

RJ5 Main Board

Date: Tuesday, May 10, 2005

Sheet 11 of 36



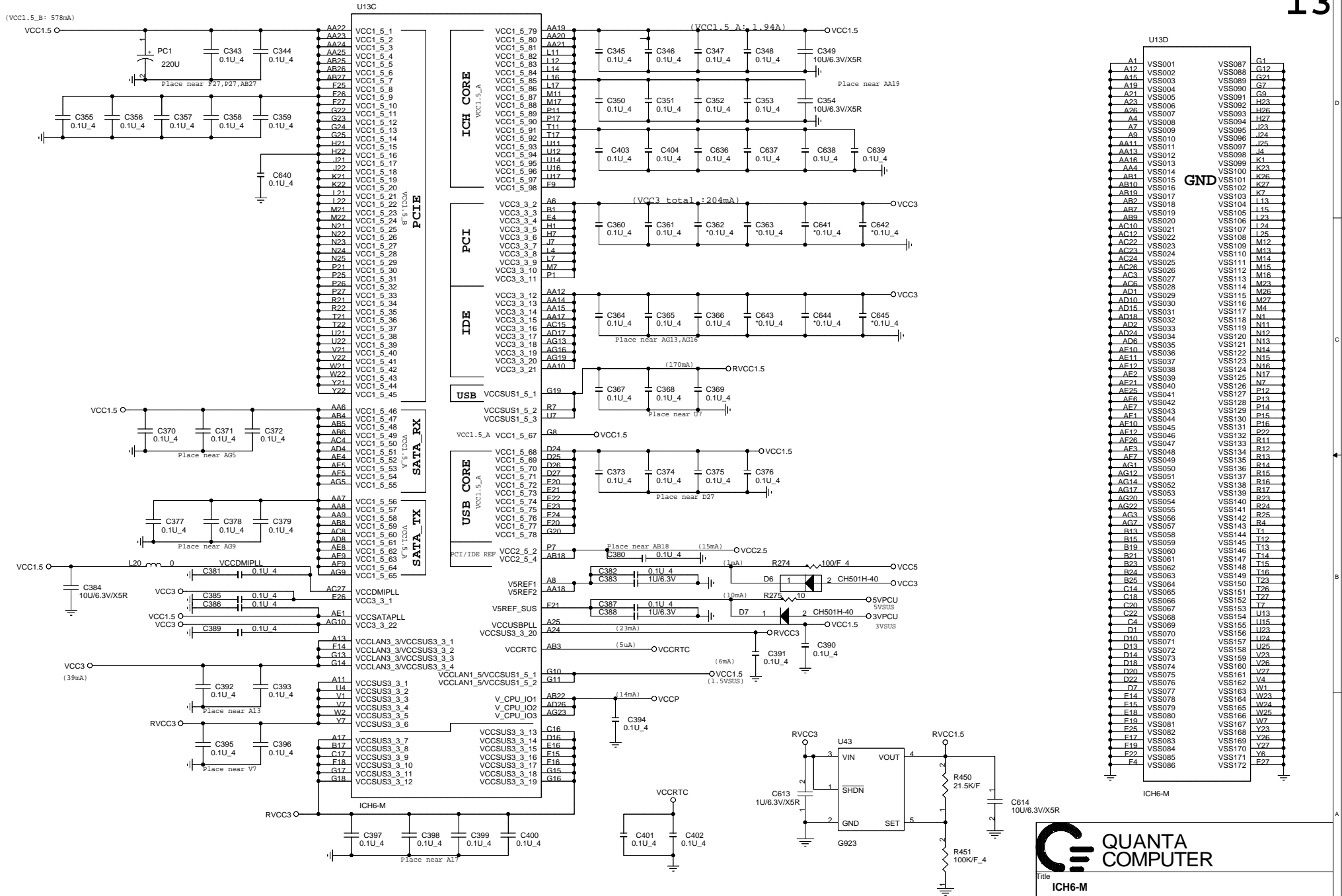
1. This part should not contain any substances which are specified in SS-00259-1
 2. Purchase ink, paint, wire rods and molding resins only from the business partners that Sony approves & Green Partners.

QUANTA COMPUTER

Title: **ICH6-M**

Size: Document Number: **RJ5 Main Board** Rev: **1A**

Date: Tuesday, May 10, 2005 Sheet: 12 of 36



QUANTA COMPUTER

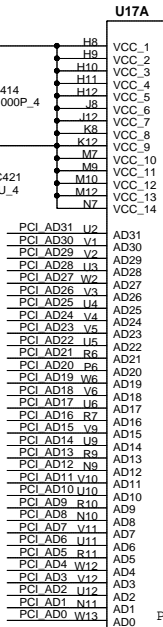
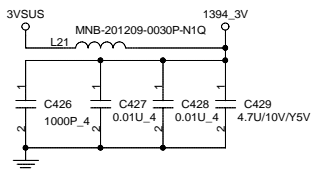
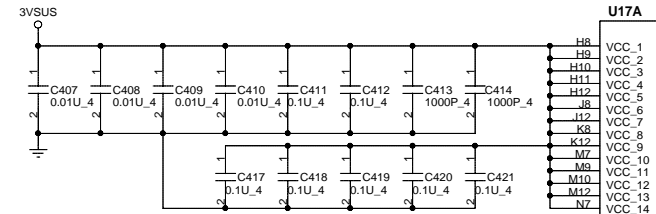
Title: **ICH6-M**

Size: _____ Document Number: _____ Rev: **1A**

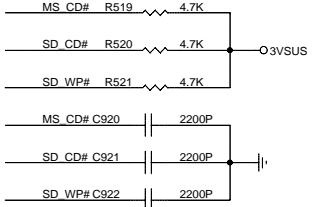
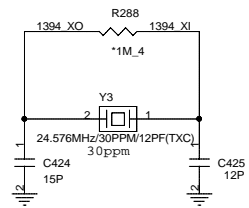
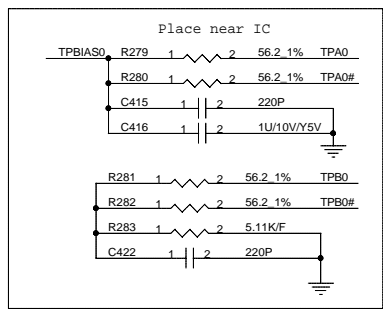
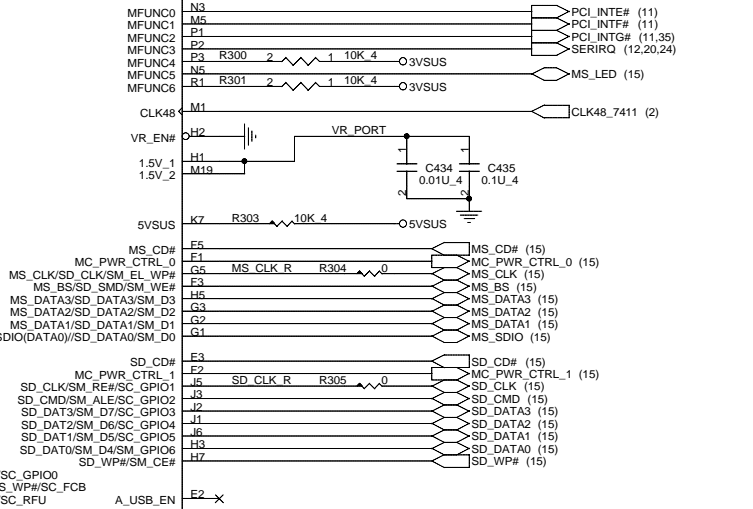
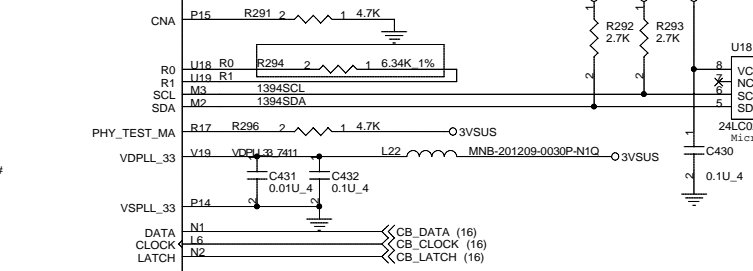
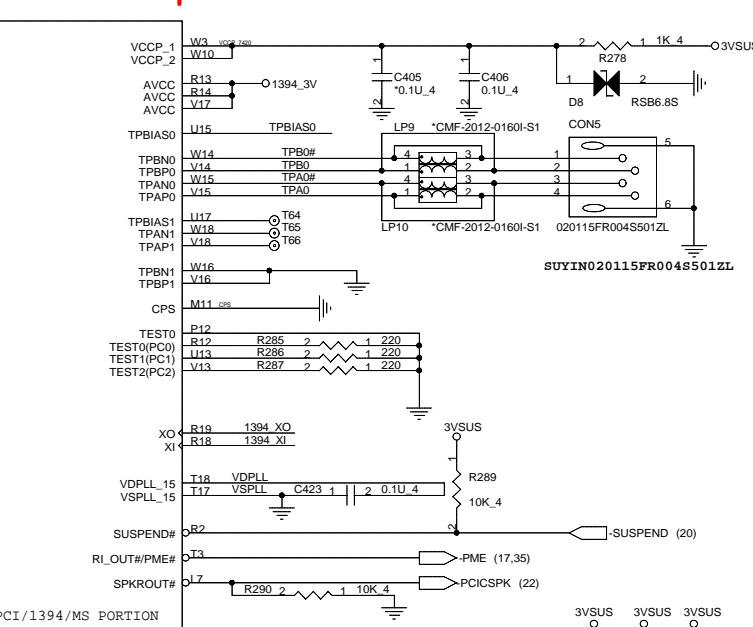
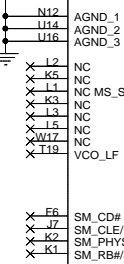
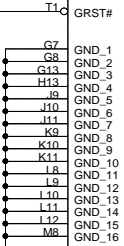
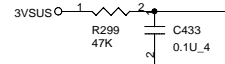
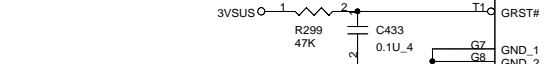
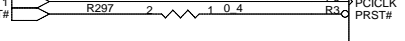
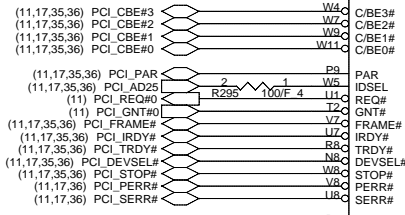
Date: Friday, April 22, 2005 Sheet: 13 of 36

RJ5 Main Board

1. This part should not contain any substances which are specified in SS-00259-1
 2. Purchase ink, paint, wire rods and molding resins only from the business partners that Sony approves as Green Partners

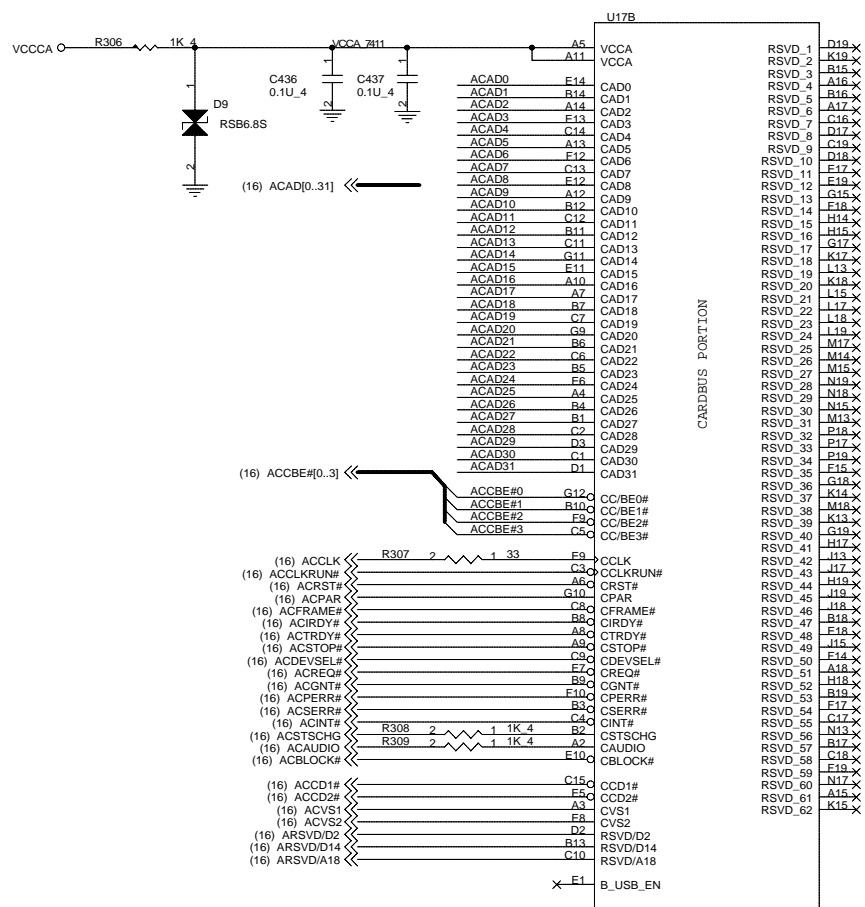


(11,17,35,36) PCI_AD[0..31]



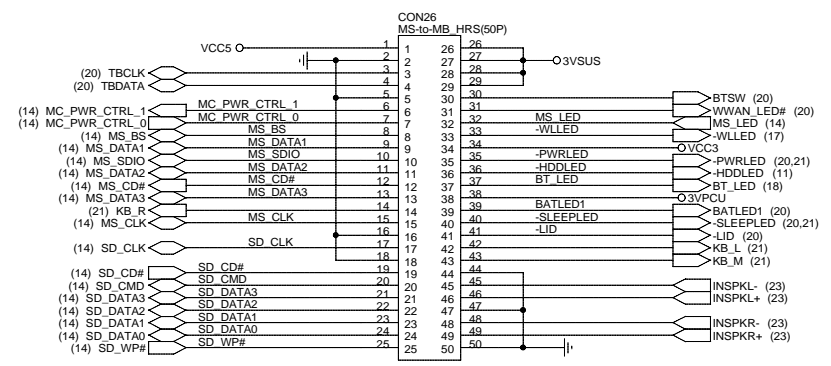
QUANTA COMPUTER logo and title block information: TI-7411 CardBus Control -- A, RJ5 Main Board, Date: Thursday, May 26, 2005, Sheet 14 of 36, Rev 1A.

1. This part should not contain any substances which are specified in SS-00259-1 2. Purchase ink, paint, wire rods and molding resins only from the business partners that Sony approves as Green Partners.

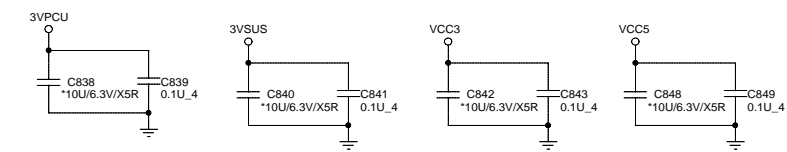


CARDBUS PORTION

TL_7411



Hiros



1. This part should not contain any substances which are specified in SS-00259-1
 2. Purchase ink, paint, wire rods and molding resins only from the business partners that Sony approves as Green Partners.

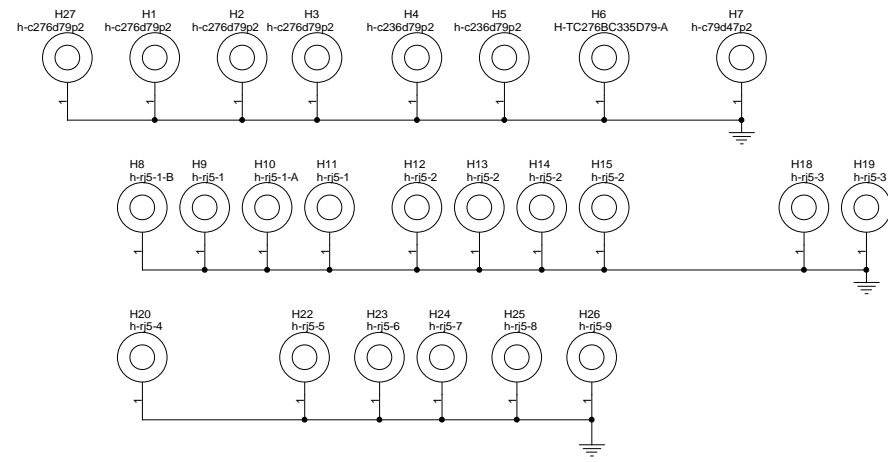
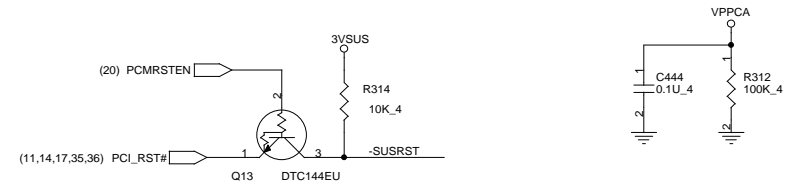
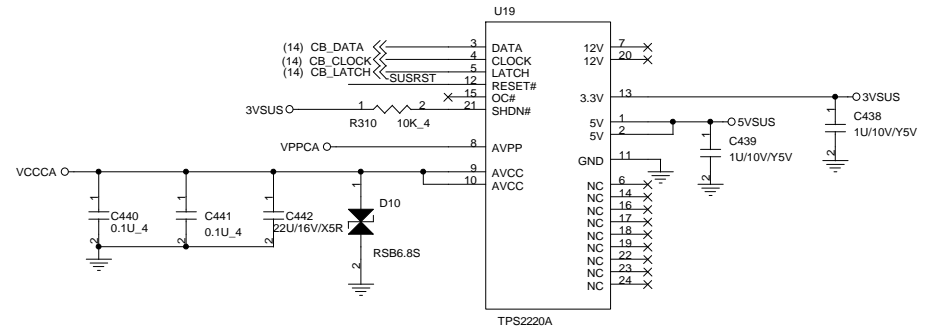
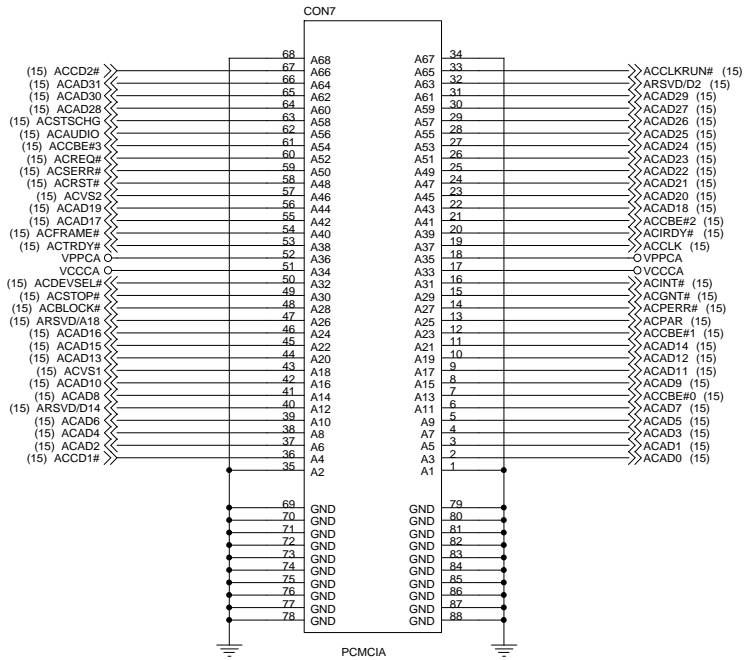
QUANTA COMPUTER

Title: **TI-7411 CardBus Control -- B**

Size: Document Number Rev 1A

Date: Thursday, May 26, 2005 Sheet 15 of 36

(15) ACAD[0..31] <<<
(15) ACCBE#[0..3] <<<



QUANTA COMPUTER logo and title block containing 'CARDBUS SLOT', 'RJ5 Main Board', and revision information.

1.This part should not contain any substances which are specified in SS-00259-1
2.Purchase ink, paint, wire rods and molding resins only from the business partners that Sony approves as Green Partners.

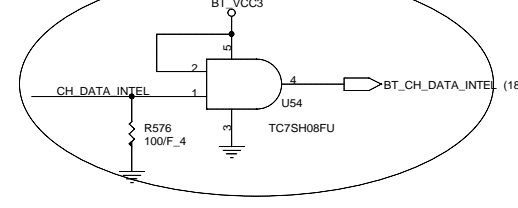
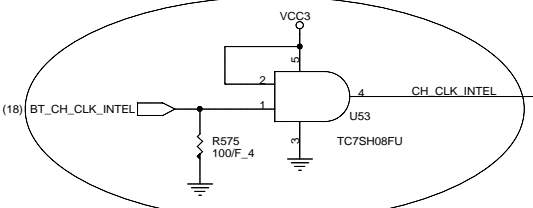
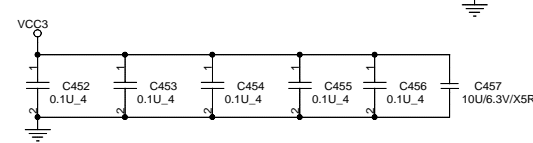
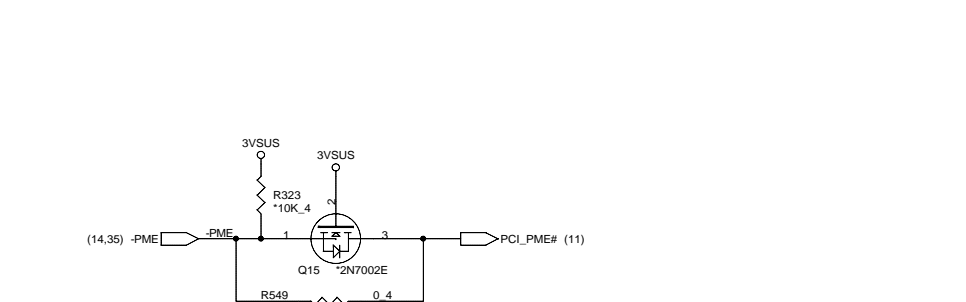
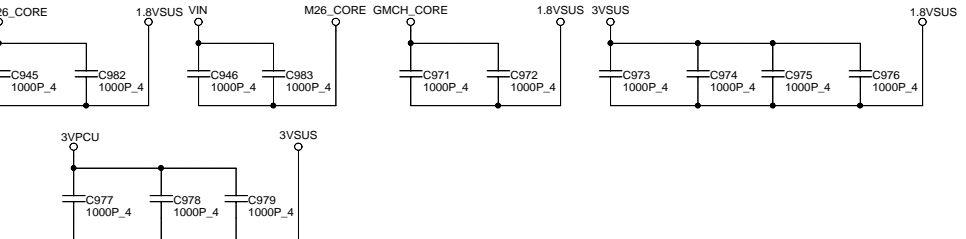
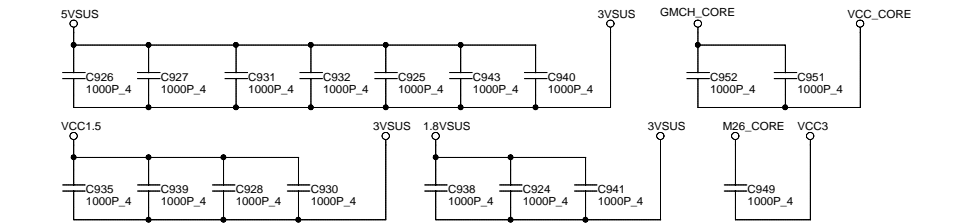
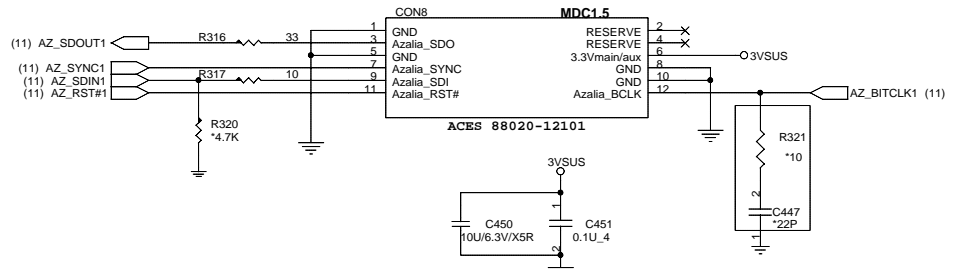
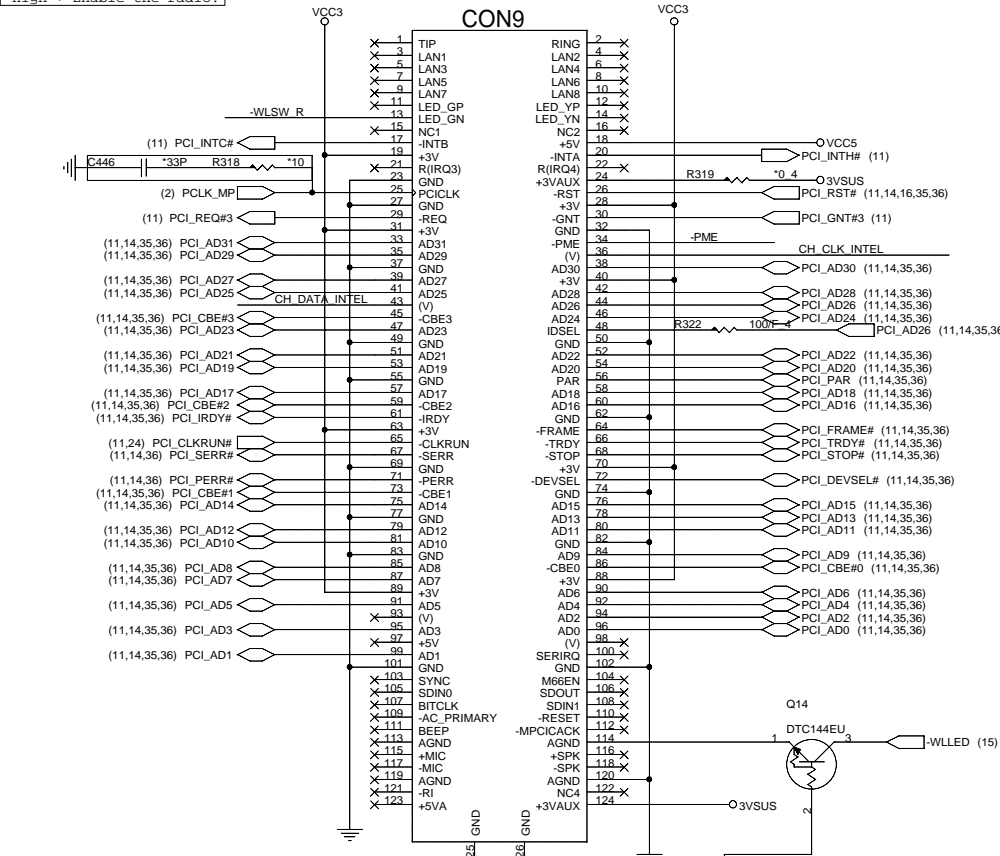
MDC V1.5

LED_GP :LED WLEN LINK
 Output Current : 7mA
 Blink rate : 1 flash
 per every 3 sec.
 WLSW:
 Low : disable the radio.
 High : Enable the radio.

AMP 1734835-2

MINIPCI H=6.7

CON9



QUANTA COMPUTER

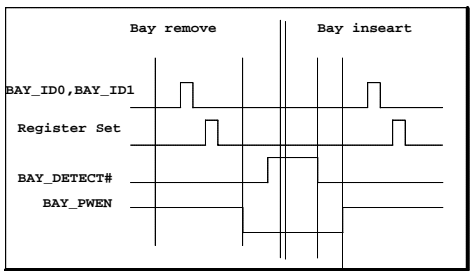
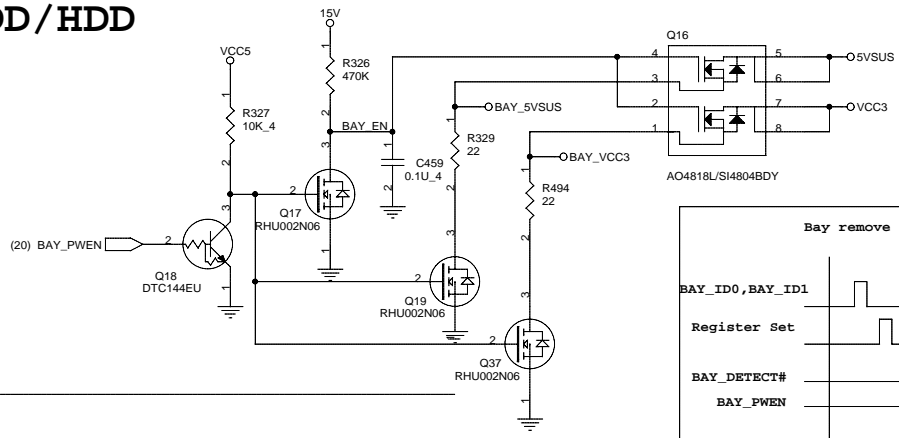
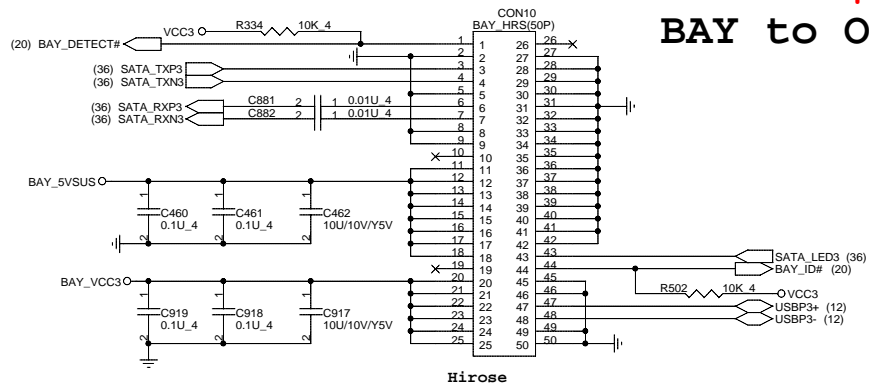
Title: **MINIPCI /MDC**

Size: _____ Document Number: **RJ5 Main Board** Rev: **1A**

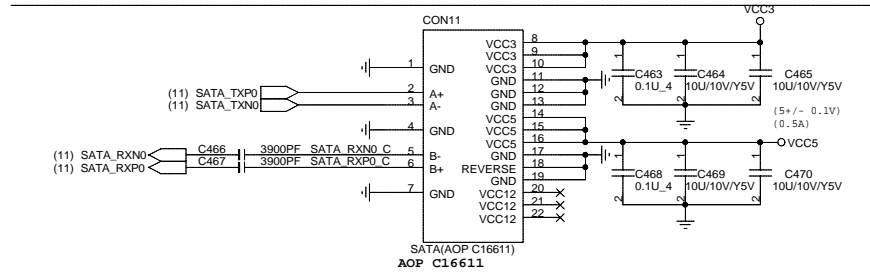
Date: **Thursday, May 12, 2005** Sheet: **17** of **36**

1. This part should not contain any substances which are specified in SS-00259-1
 2. Purchase ink, paint, wire rods and molding resins only from the business partners that Sony approves as Green Partners.

BAY to ODD/HDD

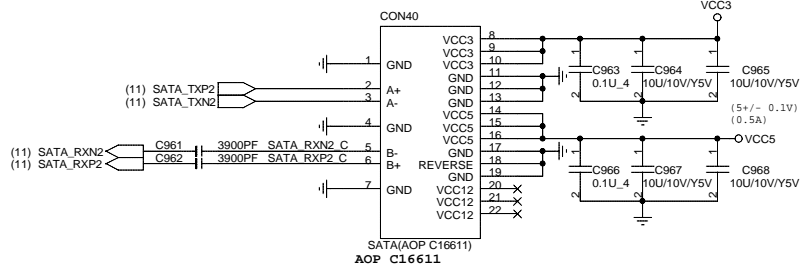


Hirose

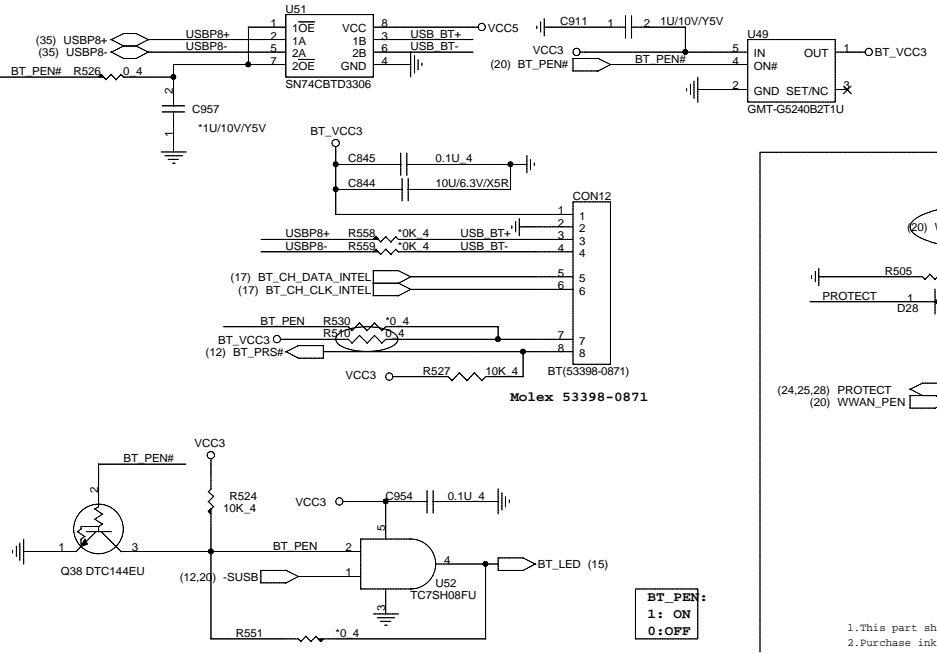


HDD CONNECTOR

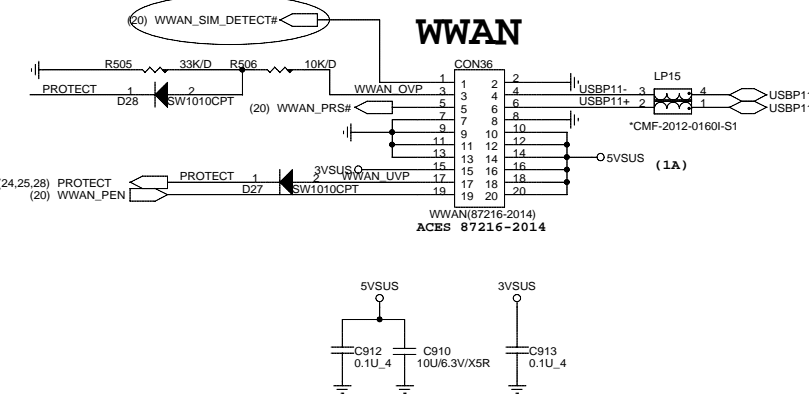
BAY_ID#	SATA Device
0	SATA Device
1	USB Device



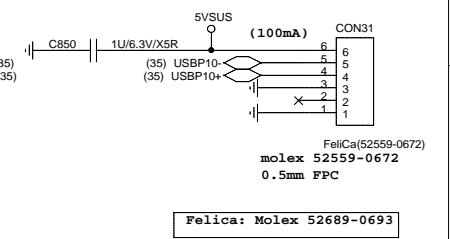
Bluetooth



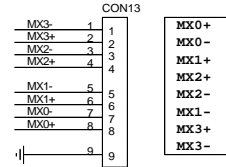
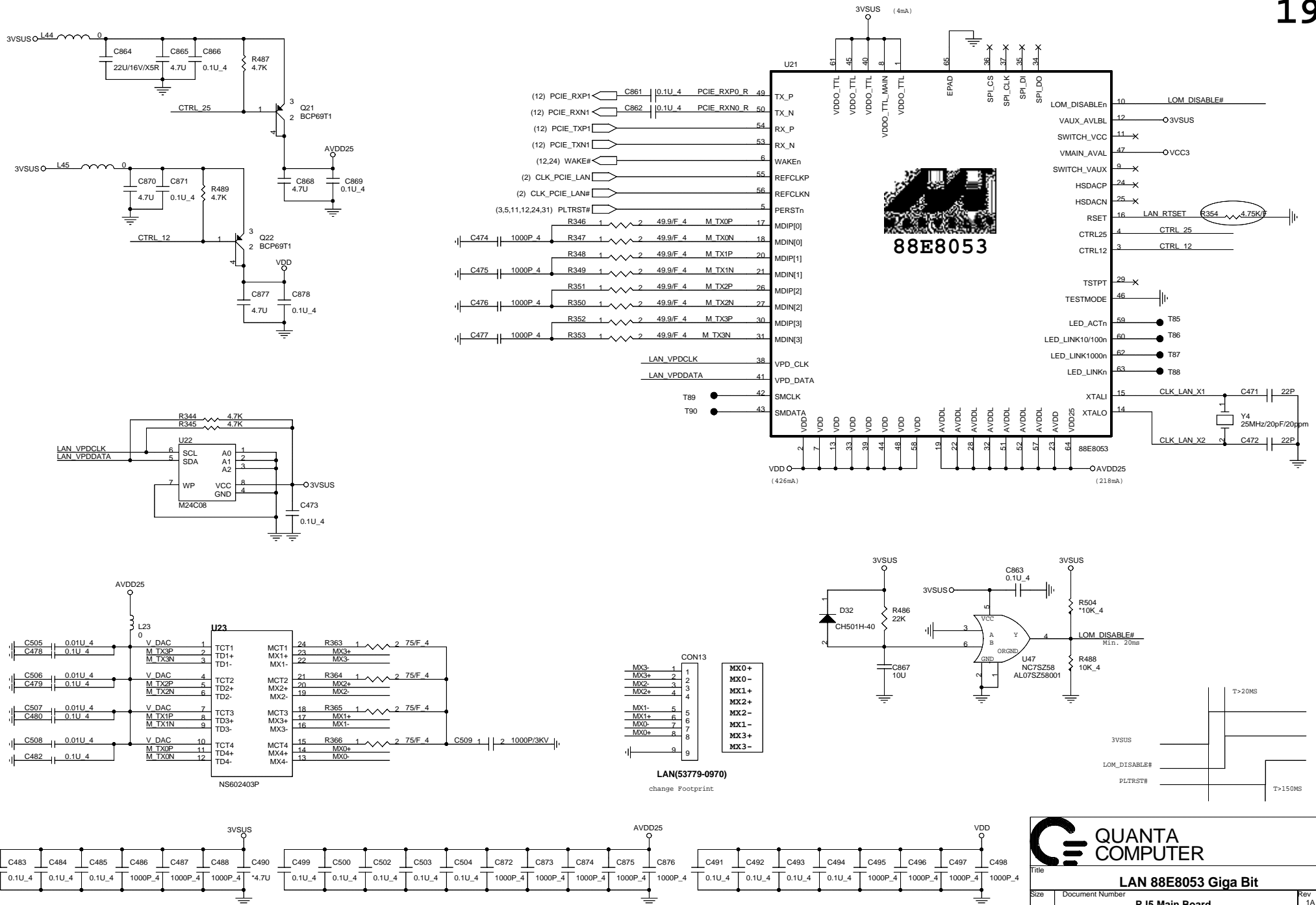
WWAN



Felica



1. This part should not contain any substances which are specified in SS-00259-1.
 2. Purchase ink, paint, wire rods and molding resins only from the business partners that Sony approves as Green Partners.



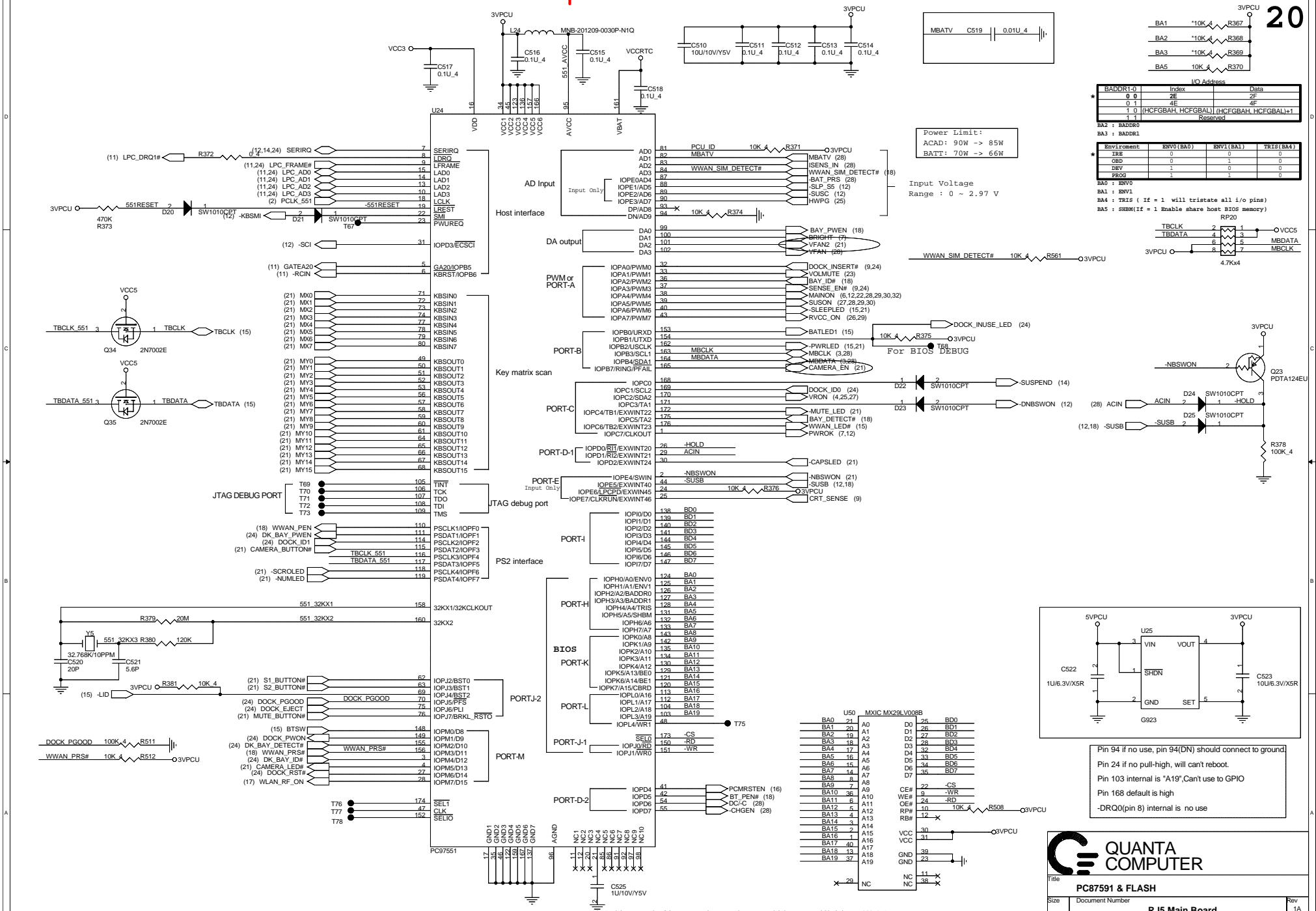
QUANTA COMPUTER

Title: **LAN 88E8053 Giga Bit**

Size: Document Number: **RJ5 Main Board** Rev 1A

Date: Thursday, May 26, 2005 Sheet 19 of 36

1. This part should not contain any substances which are specified in SS-00259-1
 2. Purchase ink, paint, wire rods and molding resins only from the business partners that Sony approves as Green Partners.



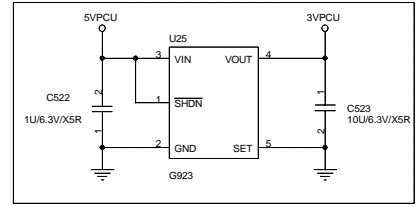
Power Limit:
ACAD: 90W -> 85W
BATT: 70W -> 66W

Input Voltage
Range: 0 ~ 2.97 V

BADDR1-0	Index	Data
0 0	2E	2F
0 1	4E	4F
1 0	(HCFGBAH, HCFGBAL) (HCFGGBAH, HCFGGBAL+1)	Reserved
1 1	Reserved	Reserved

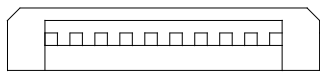
Environment	ENV0 (BA0)	ENV1 (BA1)	TRIS (BA4)
OBP	0	1	0
DEV	1	0	0
PROD	1	1	0

BA0 : ENV0
BA1 : ENV1
BA4 : TRIS (If = 1 will tristate all i/o pins)
BA5 : SHBM (If = 1 Enable share host BIOS memory)

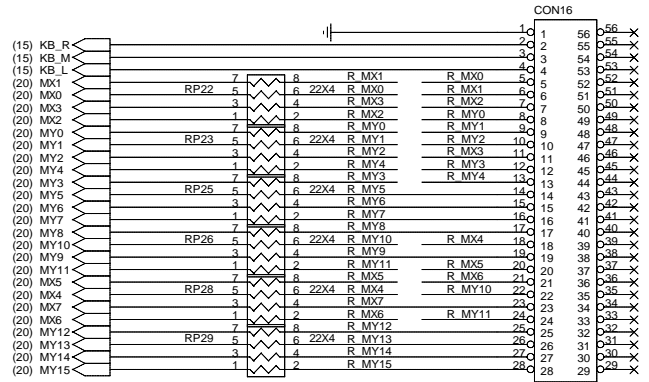


Pin 94 if no use, pin 94(DN) should connect to ground
Pin 24 if no pull-high, will can't reboot.
Pin 103 internal is "A19", Can't use to GPIO
Pin 168 default is high
-DRQ0(pin 8) internal is no use

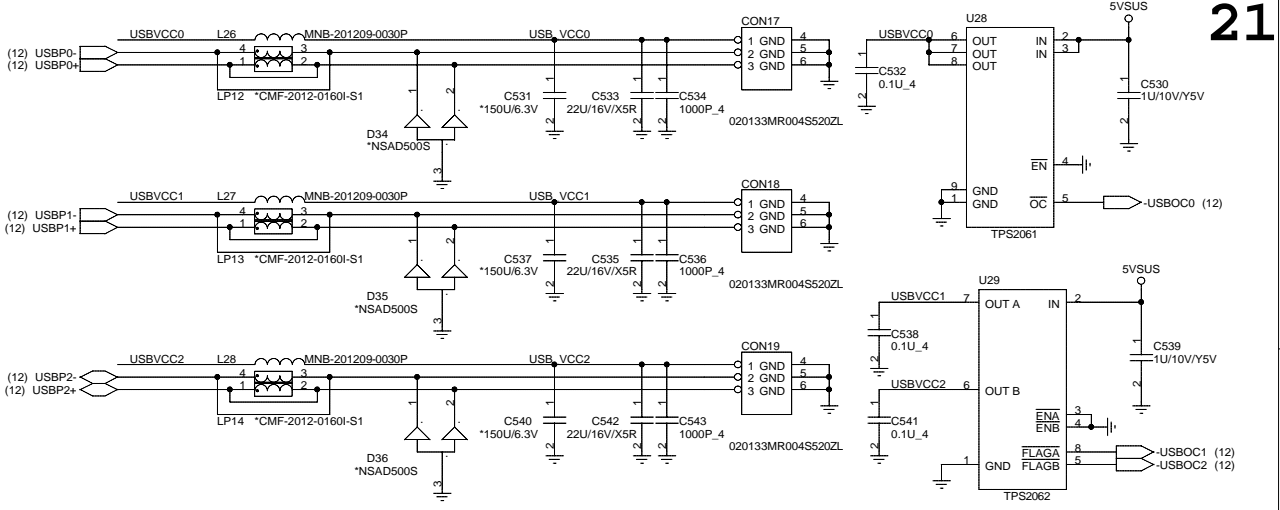
U50	MXIC MX29LV008B	BA0	BA1	BA2	BA3	BA4	BA5	BA6	BA7	BA8	BA9	BA10	BA11	BA12	BA13	BA14	BA15	BA16	BA17	BA18	BA19	NC	
21	A0	25	B0	26	B1	27	B2	28	B3	29	B4	30	B5	31	B6	32	B7	33	B8	34	B9	35	B10
36	D0	37	D1	38	D2	39	D3	40	D4	41	D5	42	D6	43	D7	44	D8	45	D9	46	D10	47	D11
48	-CS	49	-RD	50	-WR	51	-RST	52	-WE	53	-RST	54	-RST	55	-RST	56	-RST	57	-RST	58	-RST	59	-RST
60	-RST	61	-RST	62	-RST	63	-RST	64	-RST	65	-RST	66	-RST	67	-RST	68	-RST	69	-RST	70	-RST	71	-RST
72	-RST	73	-RST	74	-RST	75	-RST	76	-RST	77	-RST	78	-RST	79	-RST	80	-RST	81	-RST	82	-RST	83	-RST
84	-RST	85	-RST	86	-RST	87	-RST	88	-RST	89	-RST	90	-RST	91	-RST	92	-RST	93	-RST	94	-RST	95	-RST
96	-RST	97	-RST	98	-RST	99	-RST	100	-RST	101	-RST	102	-RST	103	-RST	104	-RST	105	-RST	106	-RST	107	-RST
108	-RST	109	-RST	110	-RST	111	-RST	112	-RST	113	-RST	114	-RST	115	-RST	116	-RST	117	-RST	118	-RST	119	-RST
120	-RST	121	-RST	122	-RST	123	-RST	124	-RST	125	-RST	126	-RST	127	-RST	128	-RST	129	-RST	130	-RST	131	-RST
132	-RST	133	-RST	134	-RST	135	-RST	136	-RST	137	-RST	138	-RST	139	-RST	140	-RST	141	-RST	142	-RST	143	-RST
144	-RST	145	-RST	146	-RST	147	-RST	148	-RST	149	-RST	150	-RST	151	-RST	152	-RST	153	-RST	154	-RST	155	-RST
156	-RST	157	-RST	158	-RST	159	-RST	160	-RST	161	-RST	162	-RST	163	-RST	164	-RST	165	-RST	166	-RST	167	-RST
168	-RST	169	-RST	170	-RST	171	-RST	172	-RST	173	-RST	174	-RST	175	-RST	176	-RST	177	-RST	178	-RST	179	-RST
180	-RST	181	-RST	182	-RST	183	-RST	184	-RST	185	-RST	186	-RST	187	-RST	188	-RST	189	-RST	190	-RST	191	-RST
192	-RST	193	-RST	194	-RST	195	-RST	196	-RST	197	-RST	198	-RST	199	-RST	200	-RST	201	-RST	202	-RST	203	-RST
204	-RST	205	-RST	206	-RST	207	-RST	208	-RST	209	-RST	210	-RST	211	-RST	212	-RST	213	-RST	214	-RST	215	-RST
216	-RST	217	-RST	218	-RST	219	-RST	220	-RST	221	-RST	222	-RST	223	-RST	224	-RST	225	-RST	226	-RST	227	-RST
228	-RST	229	-RST	230	-RST	231	-RST	232	-RST	233	-RST	234	-RST	235	-RST	236	-RST	237	-RST	238	-RST	239	-RST
240	-RST	241	-RST	242	-RST	243	-RST	244	-RST	245	-RST	246	-RST	247	-RST	248	-RST	249	-RST	250	-RST	251	-RST
252	-RST	253	-RST	254	-RST	255	-RST	256	-RST	257	-RST	258	-RST	259	-RST	260	-RST	261	-RST	262	-RST	263	-RST
264	-RST	265	-RST	266	-RST	267	-RST	268	-RST	269	-RST	270	-RST	271	-RST	272	-RST	273	-RST	274	-RST	275	-RST
276	-RST	277	-RST	278	-RST	279	-RST	280	-RST	281	-RST	282	-RST	283	-RST	284	-RST	285	-RST	286	-RST	287	-RST
288	-RST	289	-RST	290	-RST	291	-RST	292	-RST	293	-RST	294	-RST	295	-RST	296	-RST	297	-RST	298	-RST	299	-RST
300	-RST	301	-RST	302	-RST	303	-RST	304	-RST	305	-RST	306	-RST	307	-RST	308	-RST	309	-RST	310	-RST	311	-RST
312	-RST	313	-RST	314	-RST	315	-RST	316	-RST	317	-RST	318	-RST	319	-RST	320	-RST	321	-RST	322	-RST	323	-RST
324	-RST	325	-RST	326	-RST	327	-RST	328	-RST	329	-RST	330	-RST	331	-RST	332	-RST	333	-RST	334	-RST	335	-RST
336	-RST	337	-RST	338	-RST	339	-RST	340	-RST	341	-RST	342	-RST	343	-RST	344	-RST	345	-RST	346	-RST	347	-RST
348	-RST	349	-RST	350	-RST	351	-RST	352	-RST	353	-RST	354	-RST	355	-RST	356	-RST	357	-RST	358	-RST	359	-RST
360	-RST	361	-RST	362	-RST	363	-RST	364	-RST	365	-RST	366	-RST	367	-RST	368	-RST	369	-RST	370	-RST	371	-RST
372	-RST	373	-RST	374	-RST	375	-RST	376	-RST	377	-RST	378	-RST	379	-RST	380	-RST	381	-RST	382	-RST	383	-RST
384	-RST	385	-RST	386	-RST	387	-RST	388	-RST	389	-RST	390	-RST	391	-RST	392	-RST	393	-RST	394	-RST	395	-RST
396	-RST	397	-RST	398	-RST	399	-RST	400	-RST	401	-RST	402	-RST	403	-RST	404	-RST	405	-RST	406	-RST	407	-RST
408	-RST	409	-RST	410	-RST	411	-RST	412	-RST	413	-RST	414	-RST	415	-RST	416	-RST	417	-RST	418	-RST	419	-RST
420	-RST	421	-RST	422	-RST	423	-RST	424	-RST	425	-RST	426	-RST	427	-RST	428	-RST	429	-RST	430	-RST	431	-RST
432	-RST	433	-RST	434	-RST	435	-RST	436	-RST	437	-RST	438	-RST	439	-RST	440	-RST	441	-RST	442	-RST	443	-RST
444	-RST	445	-RST	446	-RST	447	-RST	448	-RST	449	-RST	450	-RST	451	-RST	452	-RST	453	-RST	454	-RST	455	-RST
456	-RST	457	-RST	458	-RST	459	-RST	460	-RST	461	-RST	462	-RST	463	-RST	464	-RST	465	-RST	466	-RST	467	-RST
468	-RST	469	-RST	470	-RST	471	-RST	472	-RST	473	-RST	474	-RST	475	-RST	476	-RST	477	-RST	478	-RST	479	-RST
480	-RST	481	-RST	482	-RST	483	-RST	484	-RST	485	-RST	486	-RST	487	-RST	488	-RST	489	-RST	490	-RST	491	-RST
492	-RST	493	-RST	494	-RST	495	-RST	496	-RST	497	-RST	498	-RST	499	-RST	500	-RST	501	-RST	502	-RST	503	-RST
504	-RST	505	-RST	506	-RST	507	-RST	508	-RST	509	-RST	510	-RST	511	-RST	512	-RST	513	-RST	514	-RST	515	-RST
516	-RST	517	-RST	518	-RST	519	-RST	520	-RST	521	-RST	522	-RST	523	-RST	524	-RST	525	-RST	526	-RST	527	-RST
528	-RST	529	-RST	530	-RST	531	-RST	532	-RST	533	-RST	534	-RST	535	-RST	536	-RST	537	-RST	538	-RST	539	-RST
540	-RST	541	-RST	542	-RST	543	-RST	544	-RST	545	-RST	546	-RST	547	-RST	548	-RST	549	-RST	550	-RST	551	-RST
552	-RST	553	-RST	554	-RST	555	-RST	556	-RST	557	-RST	558	-RST	559	-RST	560	-RST	561	-RST	562	-RST	563	-RST
564	-RST	565	-RST	566	-RST	567	-RST	568	-RST	569	-RST	570	-RST	571	-RST	572	-RST	573	-RST	574	-RST	575	-RST
576	-RST	577	-RST	578	-RST	579	-RST	580	-RST	581	-RST	582	-RST	583	-RST	584	-RST	585	-RST	586	-RST	587	-RST
588	-RST	589	-RST	590	-RST	591	-RST	592	-RST	593	-RST	594	-RST	595	-RST	596	-RST	597	-RST	598	-RST	599	-RST
600	-RST	601	-RST	602	-RST	603	-RST	604	-RST	605	-RST	606	-RST	607	-RST	608	-RST	609	-RST	610	-RST	611	-RST
612	-RST	613	-RST	614	-RST	615	-RST	616	-RST	617	-RST	618	-RST	619	-RST	620	-RST	621	-RST	622	-RST	623	-RST
624	-RST	625	-RST	626	-RST	627	-RST	628	-RST	629	-RST	630	-RST	631	-RST	632	-RST	633	-RST	634	-RST	635	-RST
636	-RST	637	-RST	638	-RST	639	-RST	640	-RST	641	-RST	642	-RST	643	-RST	644	-RST	645	-RST	646	-RST	647	-RST
648	-RST	649	-RST	650	-RST	651	-RST	652	-RST	653	-RST	654	-RST	655	-RST	656	-RST	657	-RST	658	-RST	659	-RST
660	-RST	661	-RST	662	-RST	663	-RST	664	-RST	665	-RST	666	-RST	667	-RST	668	-RST	669	-RST	670	-RST	671	-RST
672	-RST	673	-RST	674	-RST	675	-RST	676	-RST	677	-RST	678	-RST	679	-RST	680	-RST	681	-RST	682	-RST	683	-RST
684	-RST	685	-RST	686	-RST	687	-RST	688	-RST	689	-RST	690	-RST	691	-RST	692	-RST	693	-RST	694	-RST	695	-RST
696	-RST	697	-RST	698	-RST	699	-RST	700	-RST	701	-RST	702	-RST	703	-RST	704	-RST	705	-RST	706	-RST	707	-RST
708	-RST	709	-RST	710	-RST	711	-RST	712	-RST	713	-RST	714	-RST	715	-RST	716	-RST	717	-RST	718	-RST	719	-RST
720	-RST	721	-RST	722	-RST	723	-RST	724	-RST	725	-RST	726	-RST	727	-RST	728	-RST	729	-RST	730	-RST	731	-RST
732	-RST	733	-RST	734	-RST	735	-RST	736	-RST	737	-RST	738	-RST	739	-RST	740	-RST	741	-RST	742	-RST	743	-RST
744	-RST	745	-RST	746	-RST																		



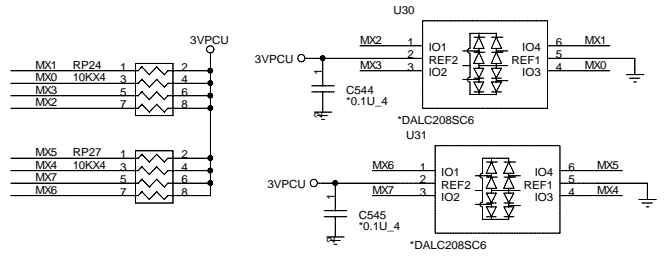
KEYBOARD



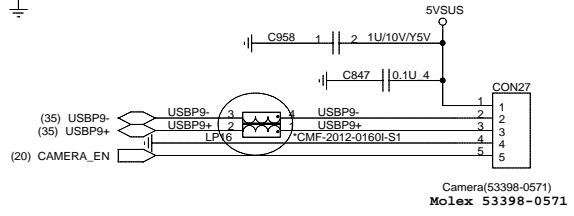
MOLEX(52610-2871)



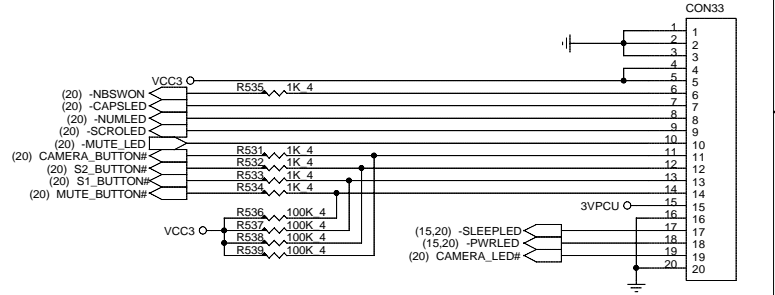
POWER SW BOARD



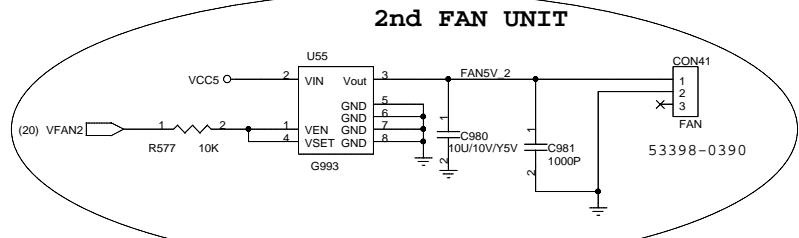
USB Camera



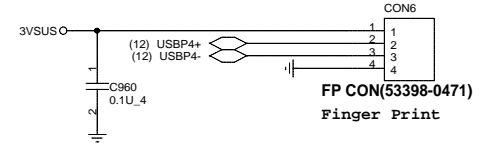
Camera(53398-0571)
Molex 53398-0571



PS CON(52559-2070)
Molex_52559-2070



2nd FAN UNIT

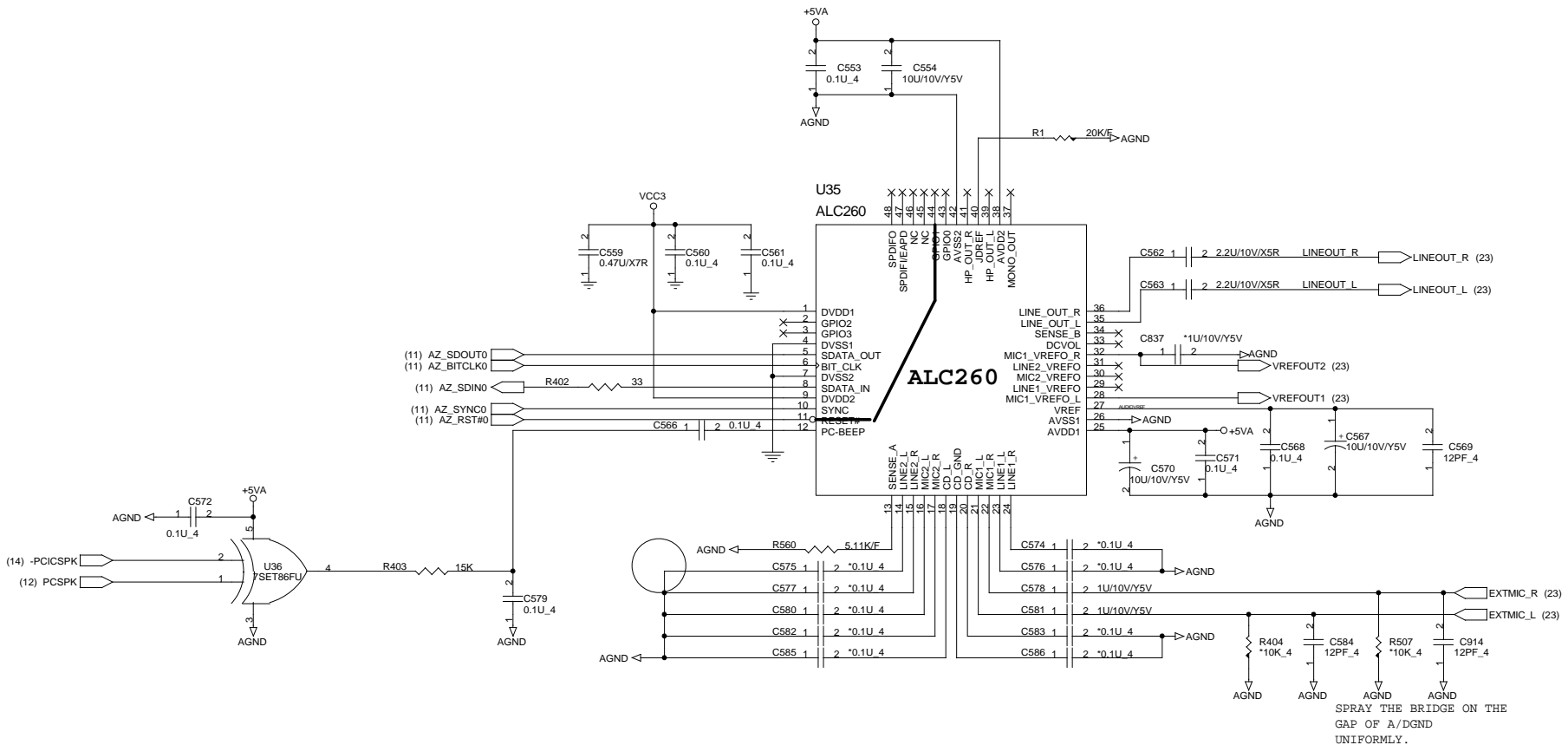


FP CON(53398-0471)
Finger Print

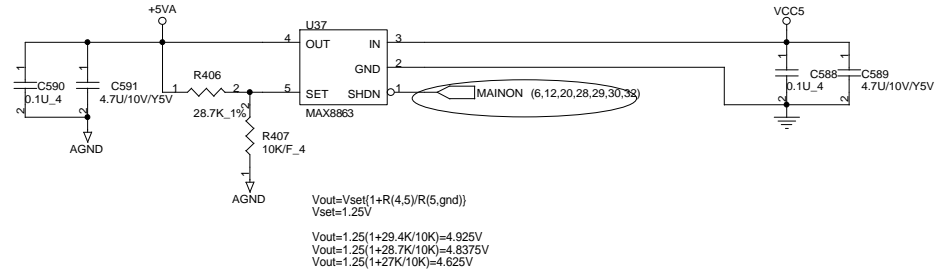


Title K/B ,USB			Rev 1A
Size	Document Number	Rev	
RJ5 Main Board			1A
Date:	Tuesday, May 10, 2005	Sheet	21 of 36

1. This part should not contain any substances which are specified in SS-00259-1
2. Purchase ink, paint, wire rods and molding resins only from the business partners that Sony approves as Green Partners.



SPRAY THE BRIDGE ON THE GAP OF A/DGND UNIFORMLY.



$$V_{out} = V_{set} \left(1 + \frac{R(4,5)}{R(5,gnd)} \right)$$

$$V_{set} = 1.25V$$

$$V_{out} = 1.25 \left(1 + \frac{29.4K(10K)}{4.925V} \right) = 4.925V$$

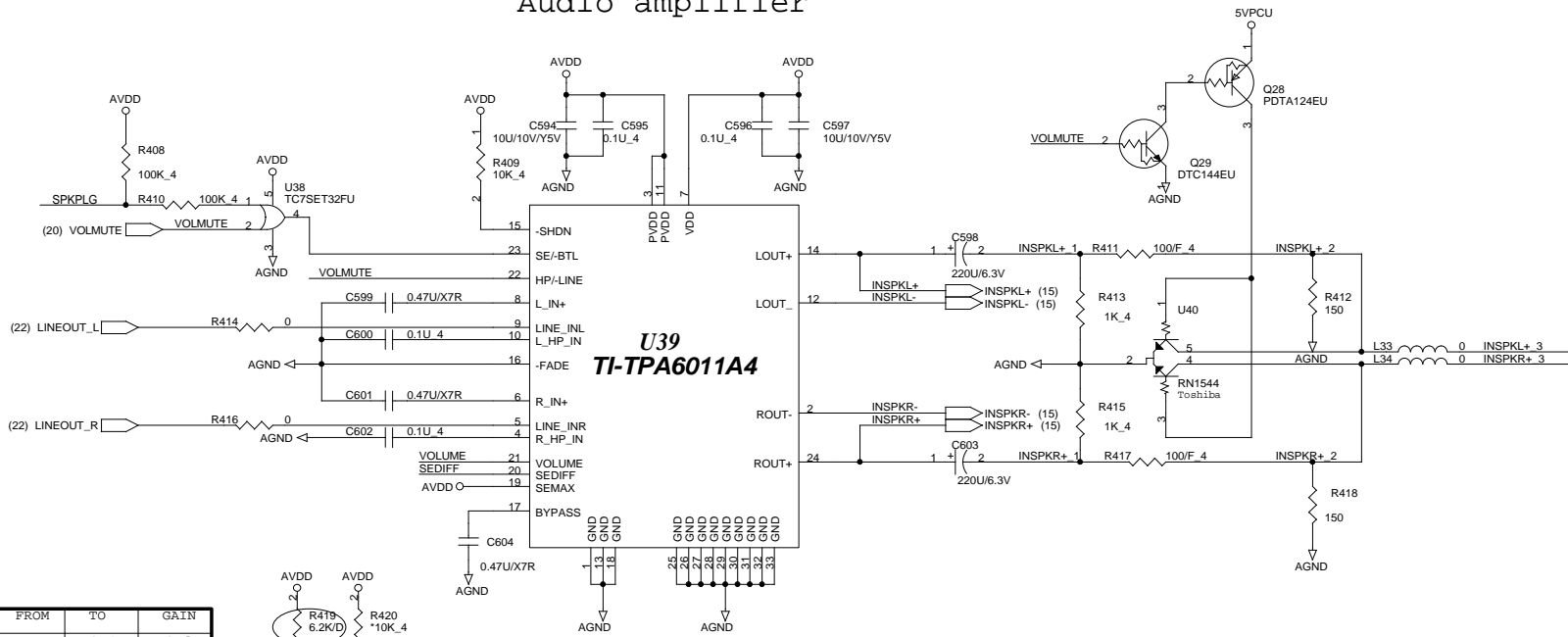
$$V_{out} = 1.25 \left(1 + \frac{28.7K(10K)}{4.8375V} \right) = 4.8375V$$

$$V_{out} = 1.25 \left(1 + \frac{27K(10K)}{4.625V} \right) = 4.625V$$

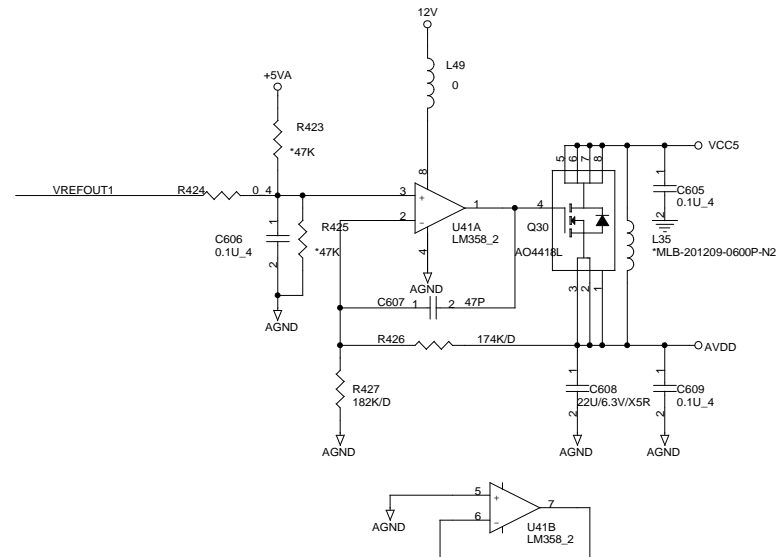
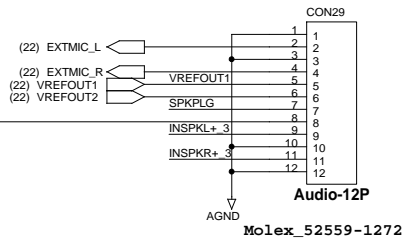
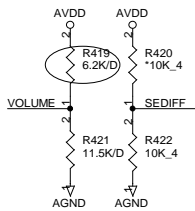


Title		
Audio ALC260		
Size	Document Number	Rev
	RJ5 Audio Board	1A

Audio amplifier



FROM	TO	GAIN
2.92	2.95	6 dB
3.04	3.06	8 dB
3.15	3.17	10 dB
3.26	3.29	12 dB



QUANTA COMPUTER

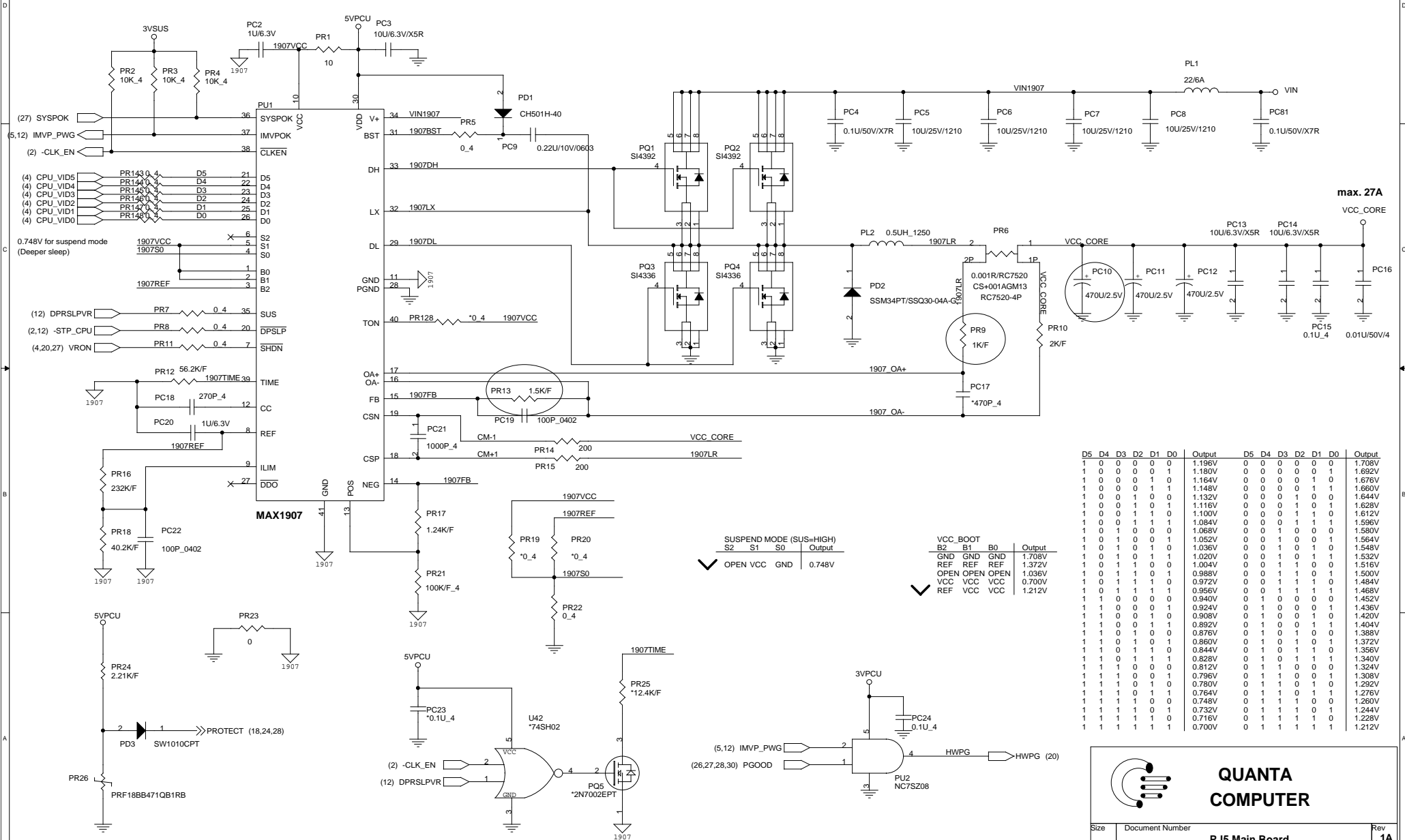
Title: **AUDIO AMP**

Size: Document Number: **RJ5 Audio Board** Rev 1A

Date: Thursday, May 26, 2005 Sheet 23 of 36

1. This part should not contain any substances which are specified in SS-00259-1
 2. Purchase ink, paint, wire rods and molding resins only from the business partners that Sony approves as Green Partners.


CPU CORE



D5	D4	D3	D2	D1	D0	Output	D5	D4	D3	D2	D1	D0	Output
1	0	0	0	0	0	1.196V	0	0	0	0	0	0	1.708V
1	0	0	0	0	1	1.180V	0	0	0	0	0	1	1.692V
1	0	0	0	1	0	1.164V	0	0	0	0	1	0	1.676V
1	0	0	1	0	0	1.148V	0	0	0	1	0	1	1.660V
1	0	0	1	1	0	1.132V	0	0	0	1	1	0	1.644V
1	0	0	1	0	1	1.116V	0	0	0	1	0	1	1.628V
1	0	0	1	1	1	1.100V	0	0	0	1	1	1	1.612V
1	0	0	1	1	1	1.084V	0	0	0	1	1	1	1.596V
1	0	1	0	0	0	1.068V	0	0	1	0	0	0	1.580V
1	0	1	0	0	1	1.052V	0	0	1	0	0	1	1.564V
1	0	1	0	1	0	1.036V	0	0	1	0	1	0	1.548V
1	0	1	0	1	1	1.020V	0	0	1	0	1	1	1.532V
1	0	1	1	0	0	1.004V	0	0	1	1	0	0	1.516V
1	0	1	1	0	1	0.988V	0	0	1	1	0	1	1.500V
1	0	1	1	1	0	0.972V	0	0	1	1	1	0	1.484V
1	0	1	1	1	1	0.956V	0	0	1	1	1	1	1.468V
1	1	0	0	0	0	0.940V	0	1	0	0	0	0	1.452V
1	1	0	0	0	1	0.924V	0	1	0	0	1	0	1.436V
1	1	0	0	1	0	0.908V	0	1	0	0	1	1	1.420V
1	1	0	0	1	1	0.892V	0	1	0	0	1	1	1.404V
1	1	0	1	0	0	0.876V	0	1	0	1	0	0	1.388V
1	1	0	1	0	1	0.860V	0	1	0	1	0	1	1.372V
1	1	0	1	1	0	0.844V	0	1	0	1	1	0	1.356V
1	1	0	1	1	1	0.828V	0	1	0	1	1	1	1.340V
1	1	1	0	0	0	0.812V	0	1	1	0	0	0	1.324V
1	1	1	0	0	1	0.796V	0	1	1	0	0	1	1.308V
1	1	1	0	1	0	0.780V	0	1	1	0	1	0	1.292V
1	1	1	0	1	1	0.764V	0	1	1	0	1	1	1.276V
1	1	1	1	0	0	0.748V	0	1	1	1	0	0	1.260V
1	1	1	1	0	1	0.732V	0	1	1	1	0	1	1.244V
1	1	1	1	1	0	0.716V	0	1	1	1	1	0	1.228V
1	1	1	1	1	1	0.700V	0	1	1	1	1	1	1.212V

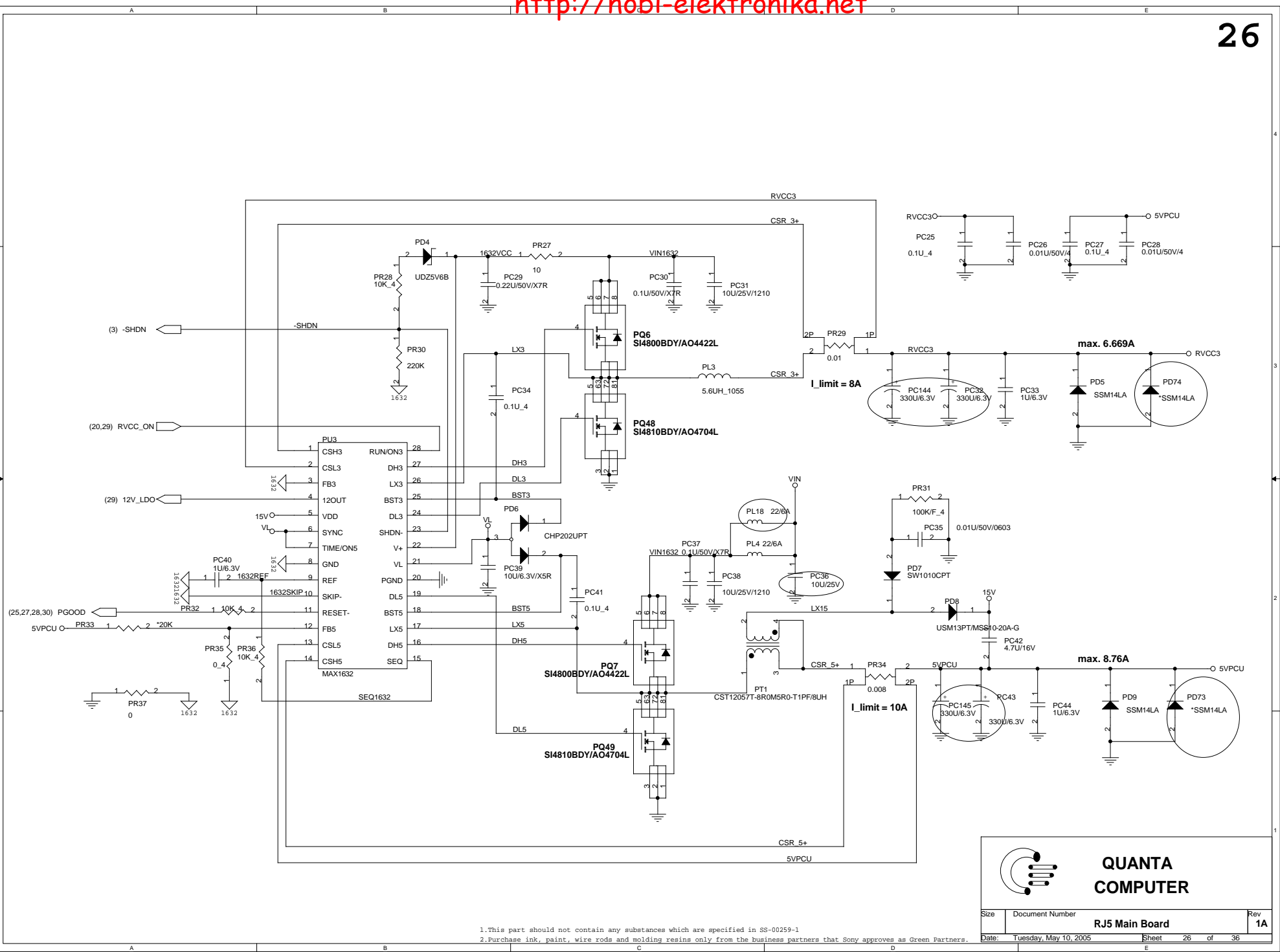
SUSPEND MODE (SUS=HIGH)				Output
S2	S1	S0		
✓	OPEN	VCC	GND	0.748V

VCC_BOOT				Output
B2	B1	B0		
GND	GND	GND		1.708V
REF	REF	REF		1.372V
OPEN	OPEN	OPEN		1.036V
VCC	VCC	VCC		0.700V
✓	REF	VCC	VCC	1.212V



**QUANTA
COMPUTER**

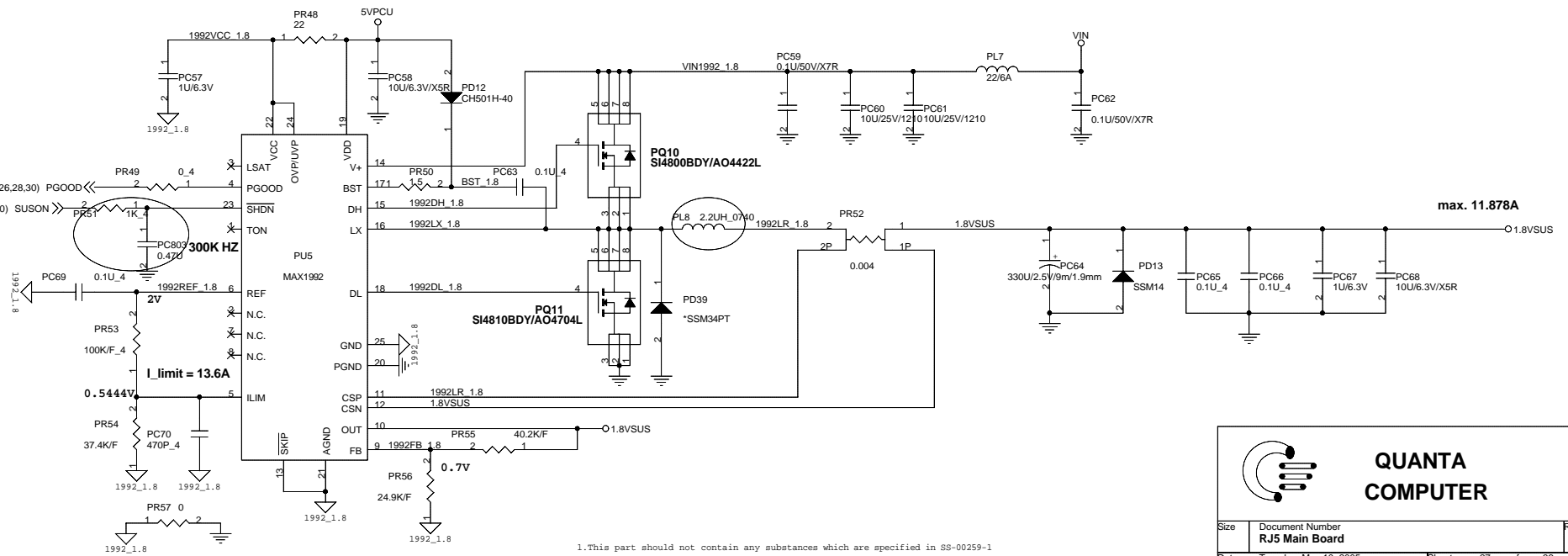
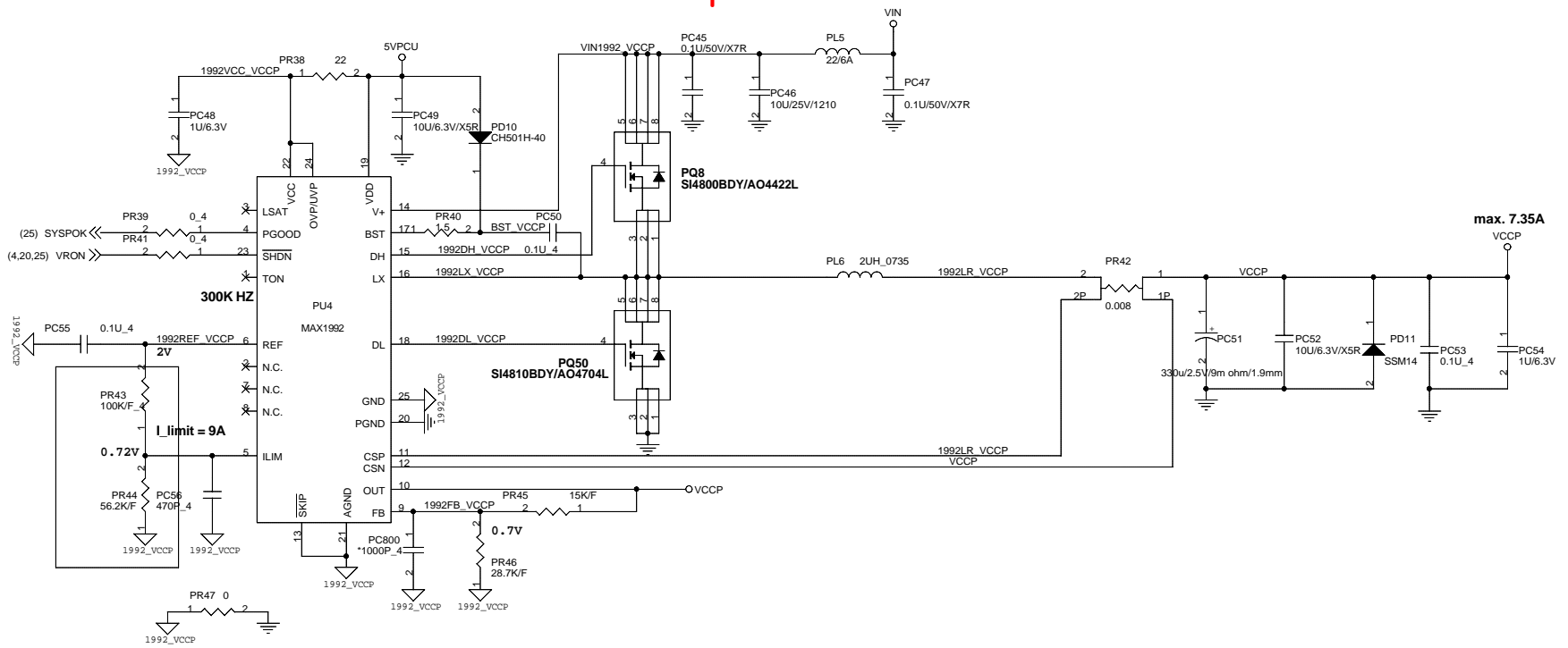
Size	Document Number	Rev
	RJ5 Main Board	1A



**QUANTA
COMPUTER**

Size	Document Number	RJ5 Main Board	Rev	1A
Date: Tuesday, May 10, 2005		Sheet 26 of 36		

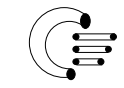
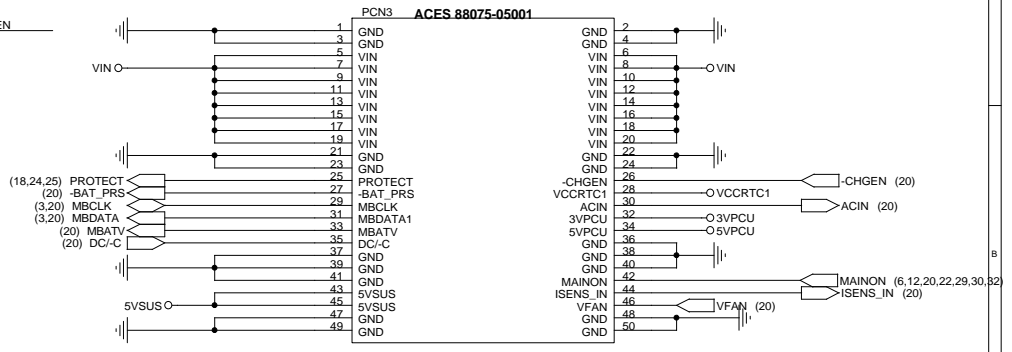
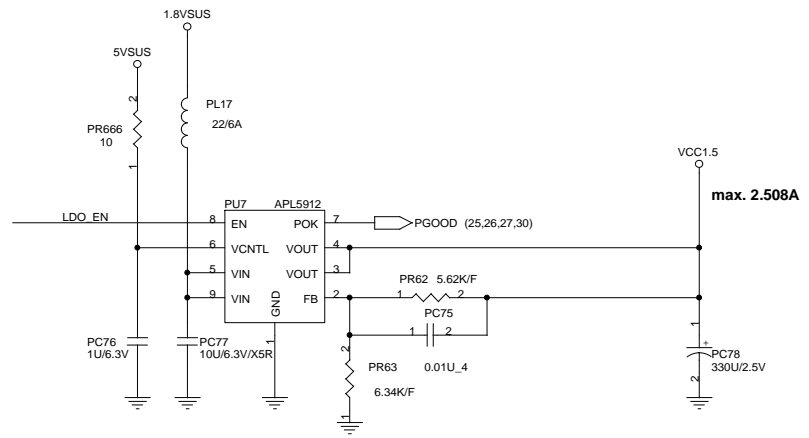
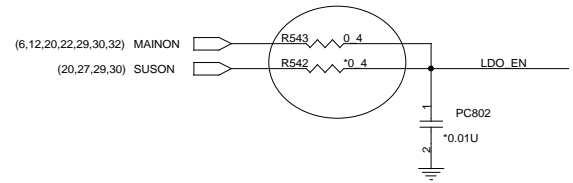
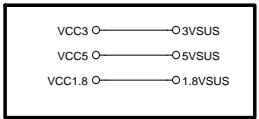
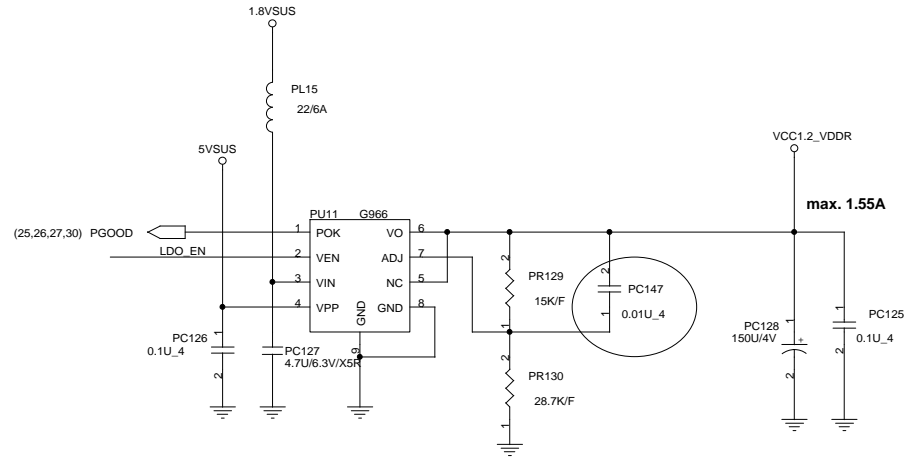
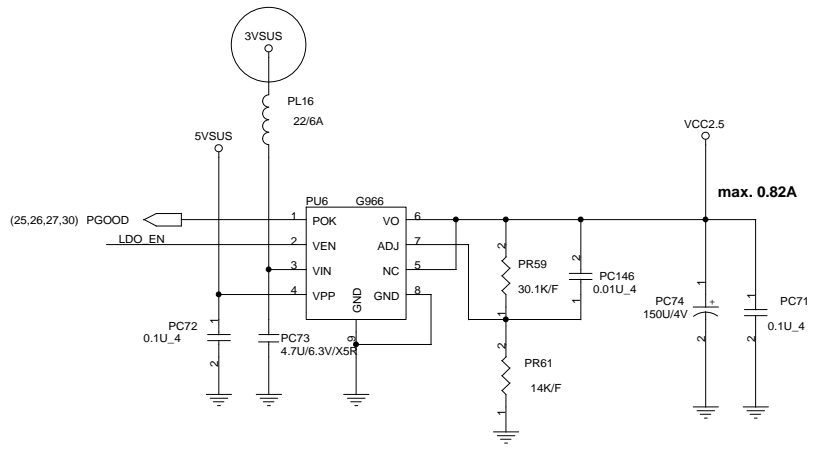
1. This part should not contain any substances which are specified in SS-00259-1
 2. Purchase ink, paint, wire rods and molding resins only from the business partners that Sony approves as Green Partners.



QUANTA COMPUTER

Size	Document Number	Rev
	RJ5 Main Board	1A
Date: Tuesday, May 10, 2005		Sheet 27 of 36

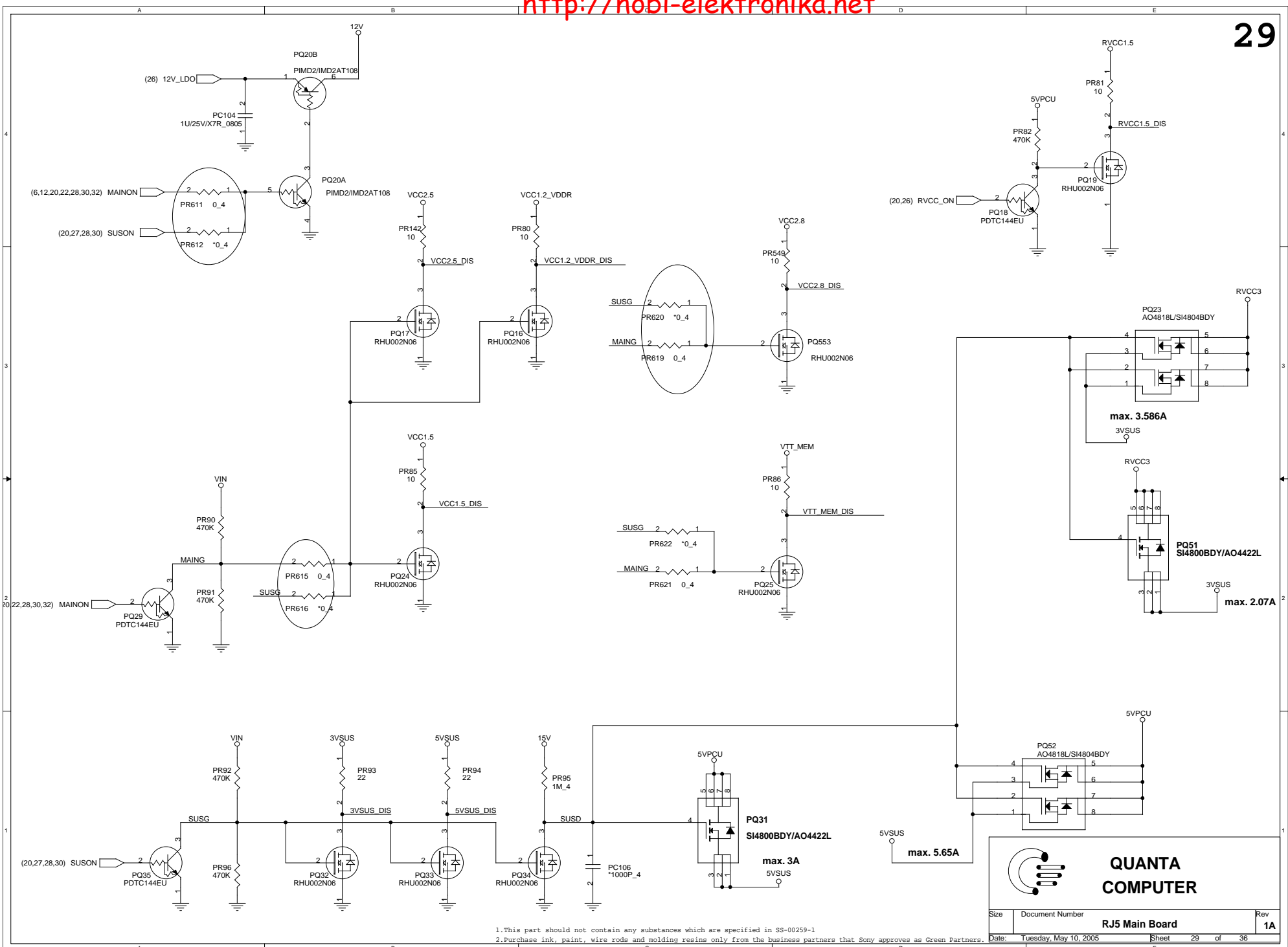
1. This part should not contain any substances which are specified in SS-00259-1
 2. Purchase ink, paint, wire rods and molding resins only from the business partners that Sony approves as Green Partners.




**QUANTA
COMPUTER**

Size	Document Number	Rev
	RJ5 Main Board	1A
Date:	Tuesday, May 10, 2005	Sheet 28 of 36

1. This part should not contain any substances which are specified in SS-00259-1
 2. Purchase ink, paint, wire rods and molding resins only from the business partners that Sony approves as Green Partners.

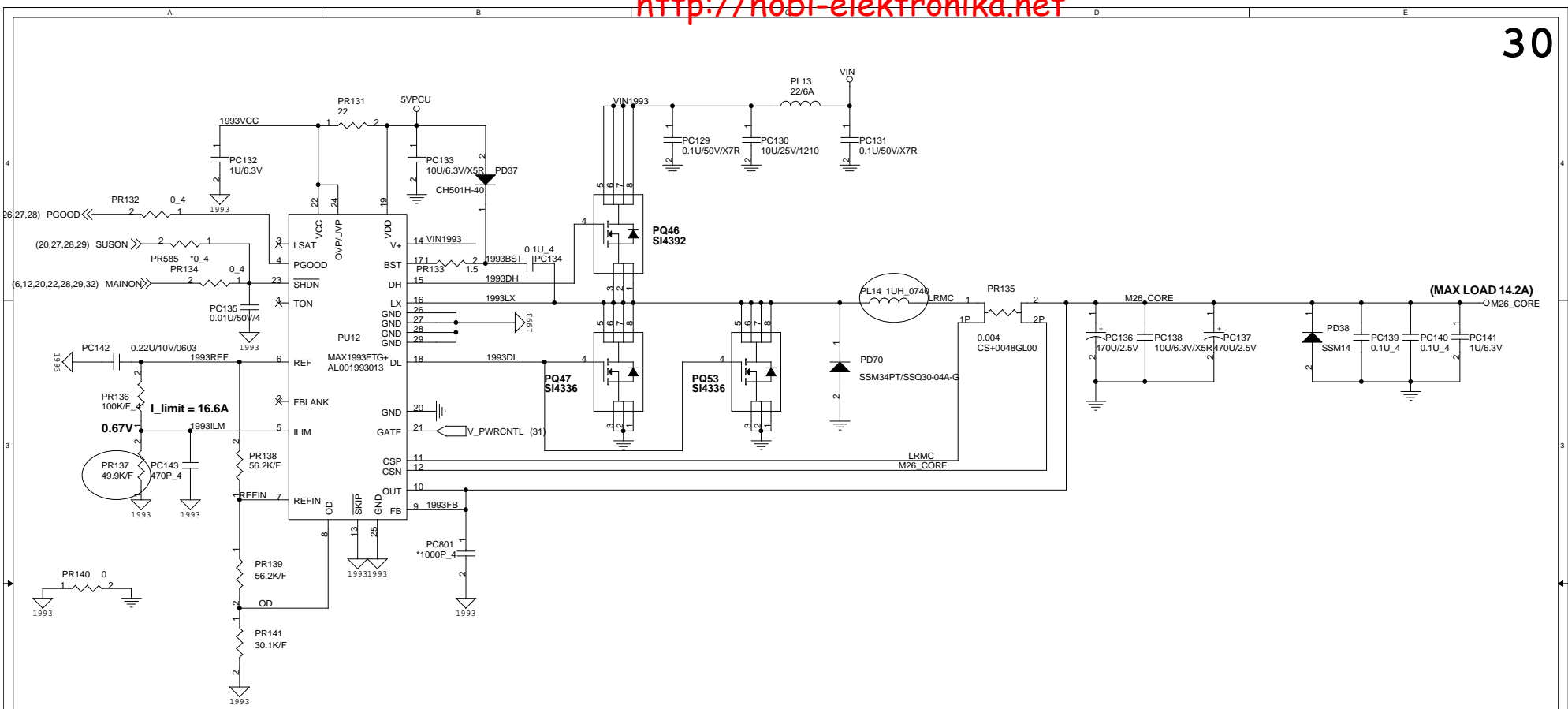


1. This part should not contain any substances which are specified in SS-00259-1
 2. Purchase ink, paint, wire rods and molding resins only from the business partners that Sony approves as Green Partners.



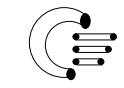
**QUANTA
COMPUTER**

Size	Document Number	Rev
	RJ5 Main Board	1A



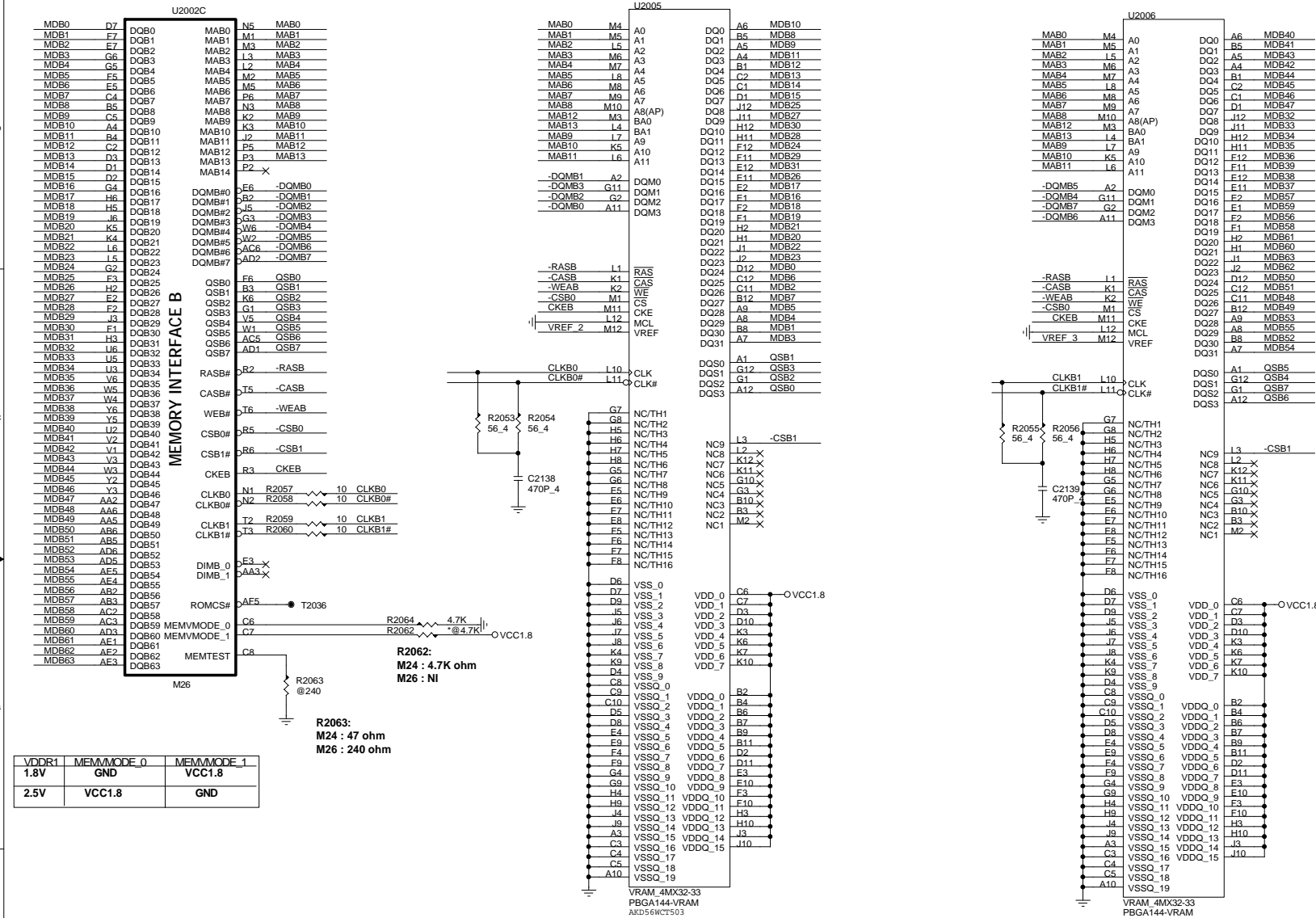
M24_CORE voltage setting:

	PR138 Value	PR139 Value	PR141 Value	V_PWRCNTL	
				Low	High
M24	49.9 K/F	49.9 K/F	27.4 K/F	1.215V	1V
	56.2 K/F	56.2 K/F	30.1 K/F	1.211V	1V

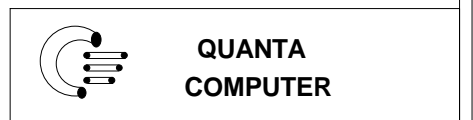
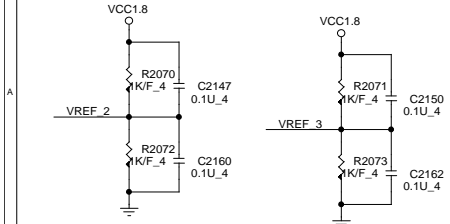


**QUANTA
COMPUTER**

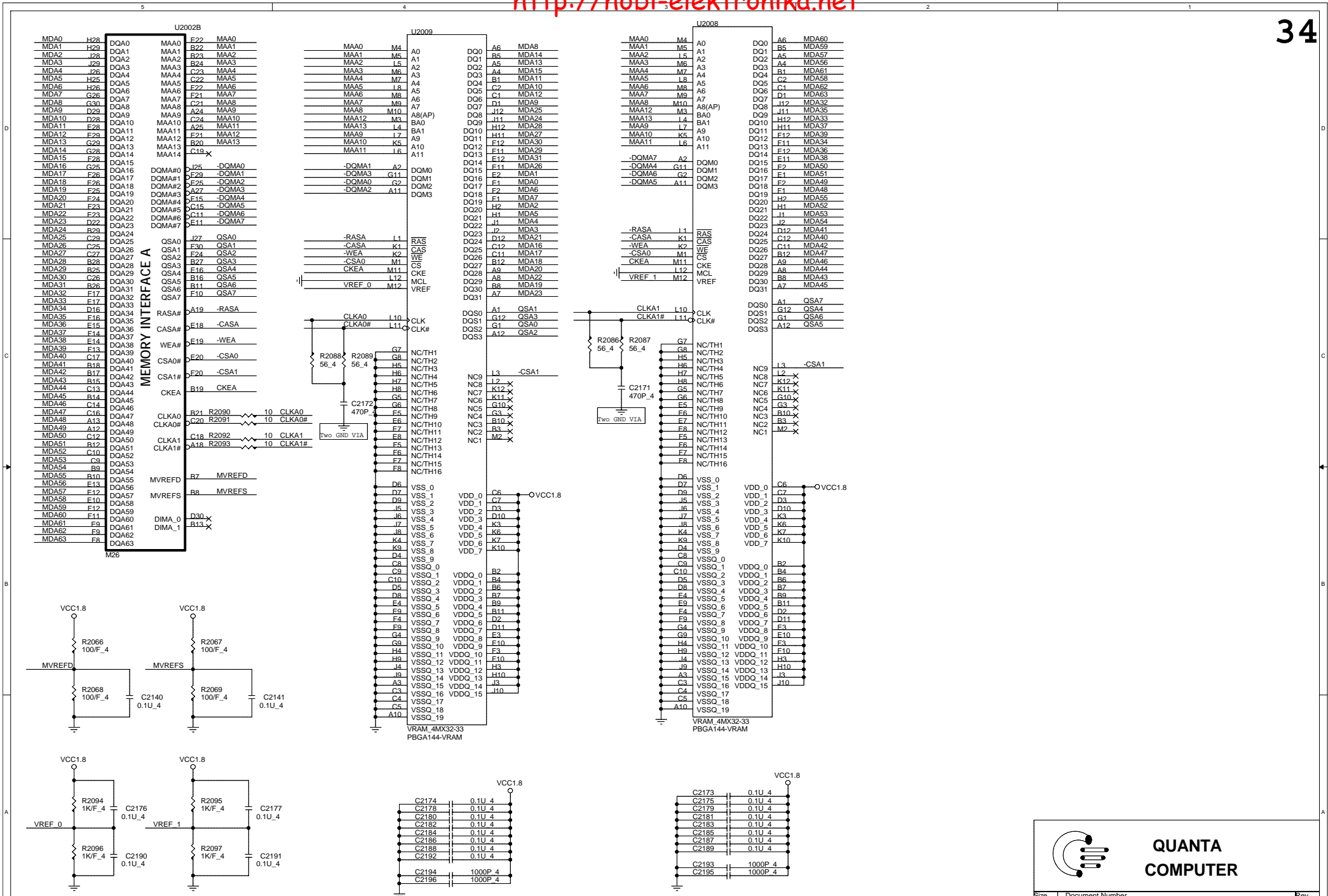
1. This part should not contain any substances which are specified in SS-00259-1.
 2. Purchase ink, paint, wire rods and molding resins only from the business partners that Sony approves as Green Partners.



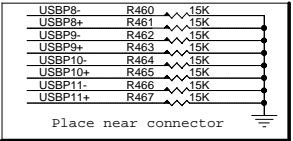
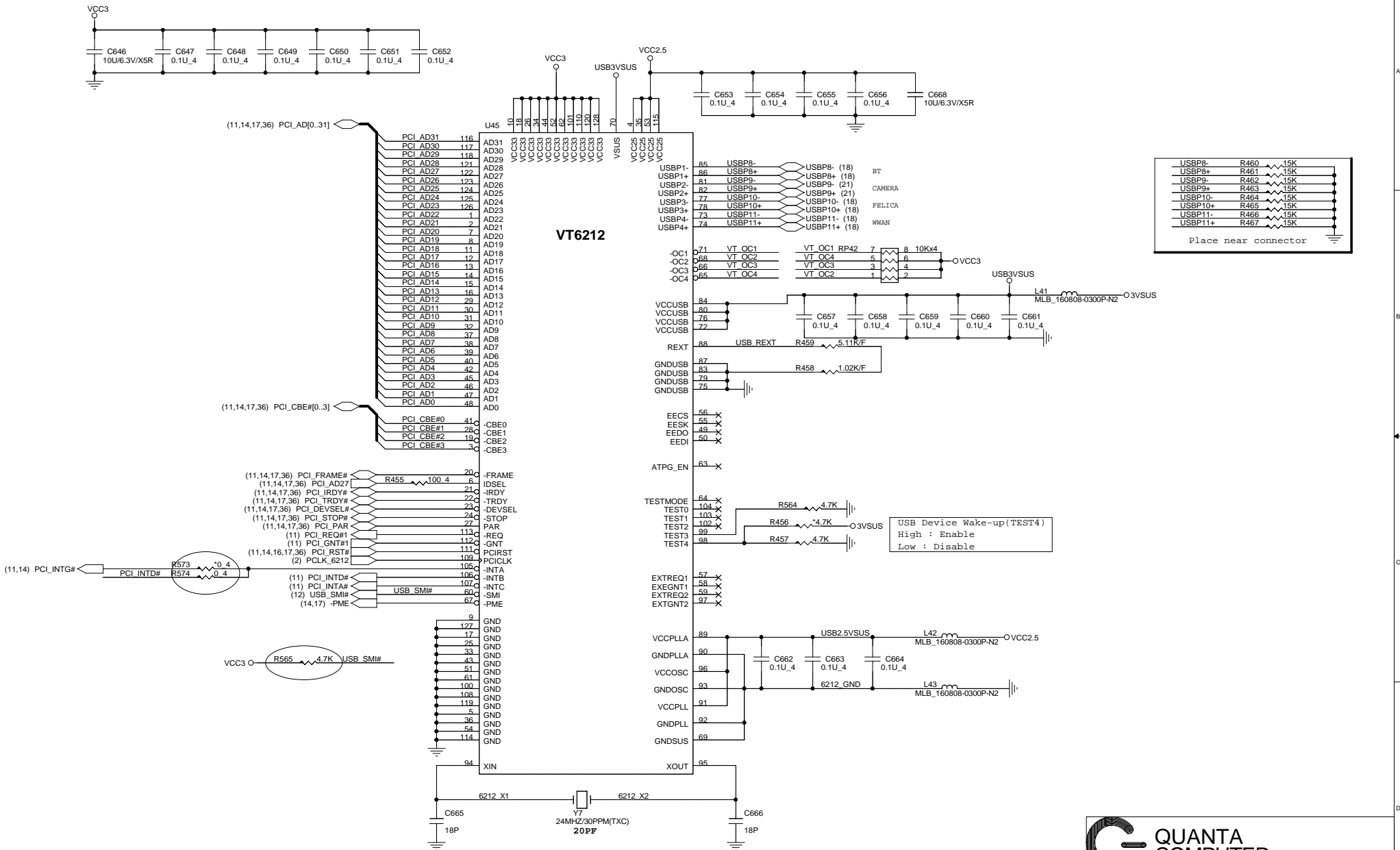
VDDR1	MEMMODE_0	MEMMODE_1
1.8V	GND	VCC1.8
2.5V	VCC1.8	GND



1. This part should not contain any substances which are specified in SS-00259-1
 2. Purchase ink, paint, wire rods and molding resins only from the business partners that Sony approves as Green Partners.



1. This part should not contain any substances which are specified in SS-00259-1
 2. Purchase ink, paint, wire rods and molding resins only from the business partners that Sony approves as G&E Partners.

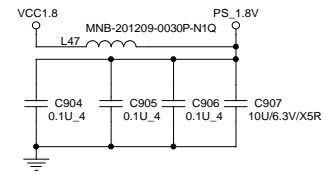
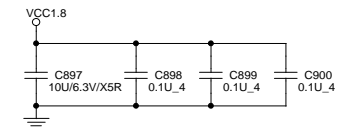
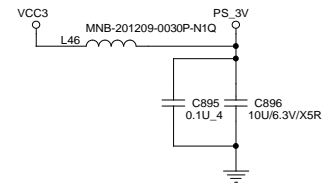
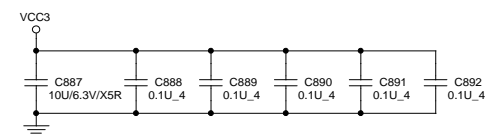
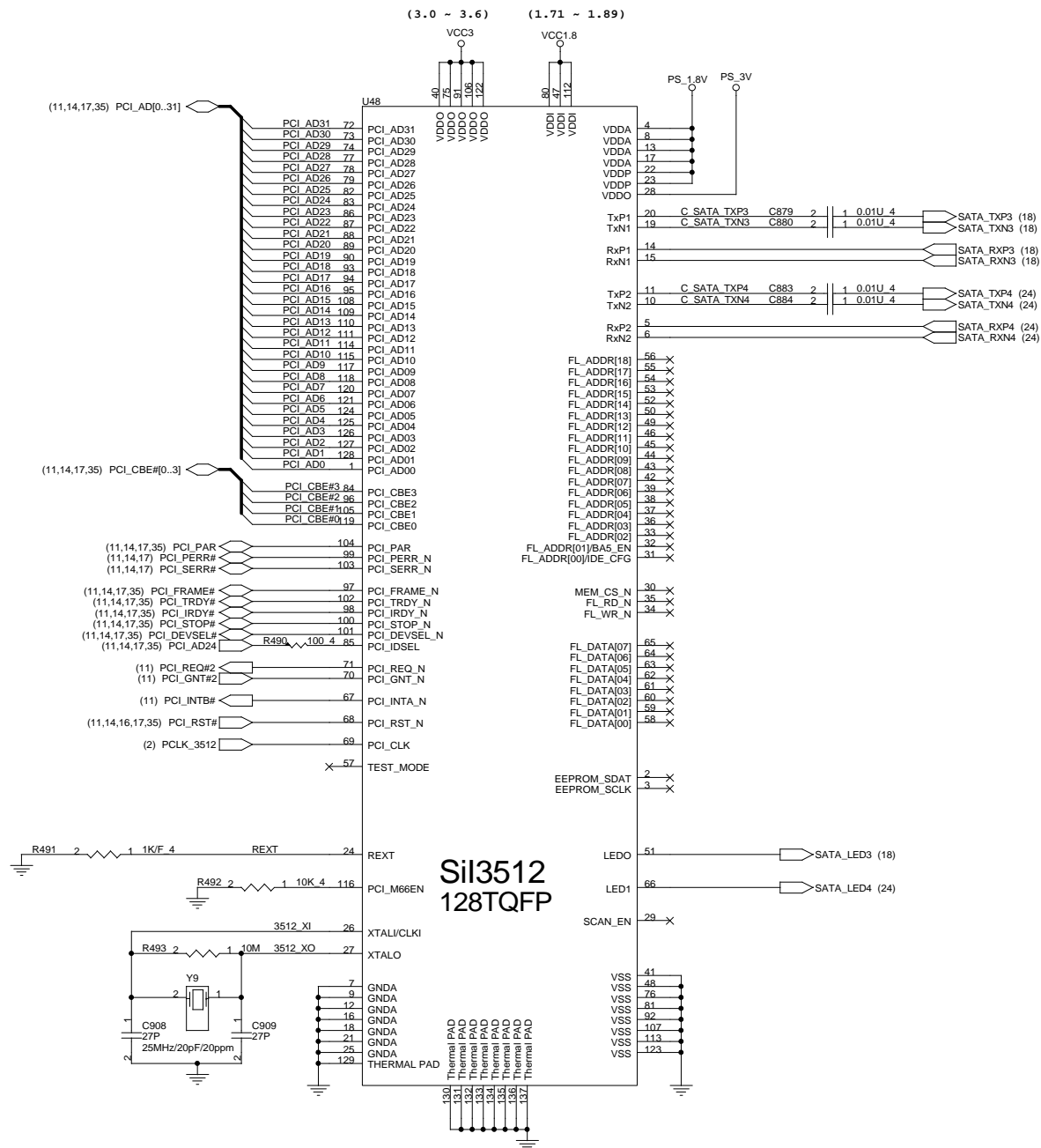


USB Device Wake-up (TEST4)
High : Enable
Low : Disable



Title			Rev
USB Controller VT6212			2A
Size	Document Number	RJS Main Board	
Custom	Date: Thursday, May 26, 2005		Sheet 35 of 36

1. This part should not contain any substances which are specified in SS-00259-1
 2. Purchase ink, paint, wire rods and molding resins only from the business partners that Sony approves as Green Partners.



**Si3512
128TQFP**



Title			PCI-SATA Si3512		
Size	Document Number	Rev			
Custom	RJ5 Main Board	1A			
Date:	Thursday, May 26, 2005	Sheet	36	of	36

1. This part should not contain any substances which are specified in SS-00259-1
 2. Purchase ink, paint, wire rods and holding resins only from the business partners that Sony approves as Green Partners.