



Hobie® Mirage
Eclipse® Manual

In 1950, Hobie's dream was born in his parents' garage when he decided to apply his love of woodworking to the sport of surfing. Dad backed out the Buick... Hobie carved out his very first surfboard...

Hobie's business of fun had begun.

Anatomy	5
Set Up	6
MirageDrive® Instruction	8
On the Water.....	9
Steering	11
Maintenance and Care.....	12
Rudder Tuning	13
Storage and Transport	14
Paddling	15
Safety.....	16
Warranty.....	18



Look for this icon. Online video is available at
www.hobie.com/support/products

Please read through the instruction manual before using this product

1. Mirage Stand Up Eclipse Board

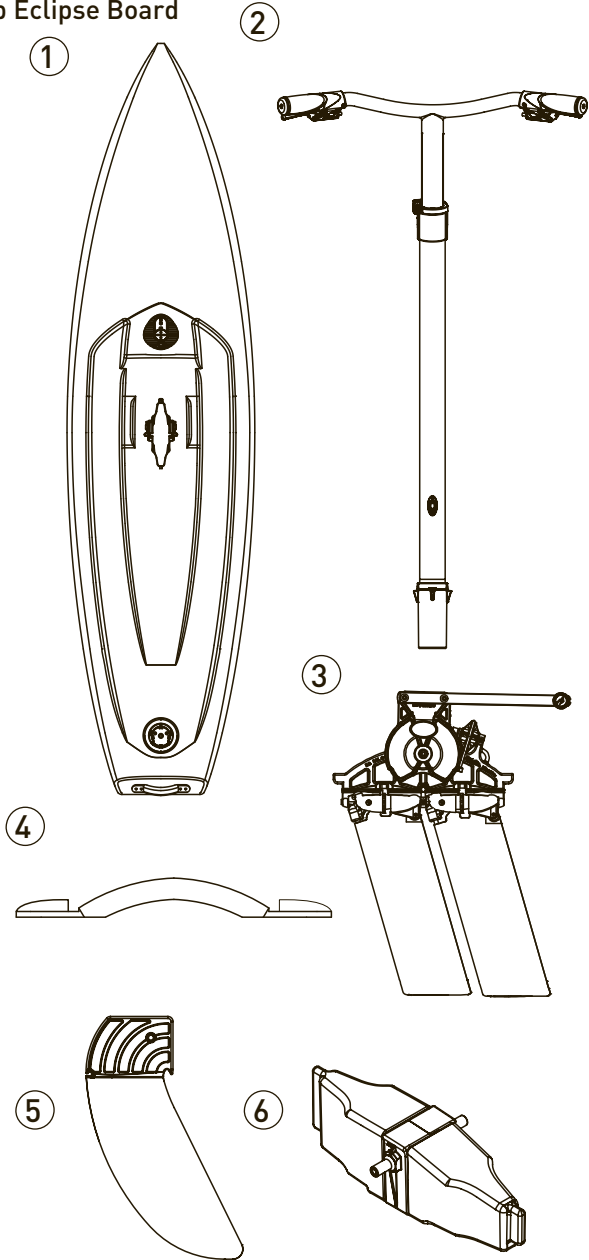
2. Handle Bars

3. MirageDrive

4. Carry Handle

5. Rudder Blade

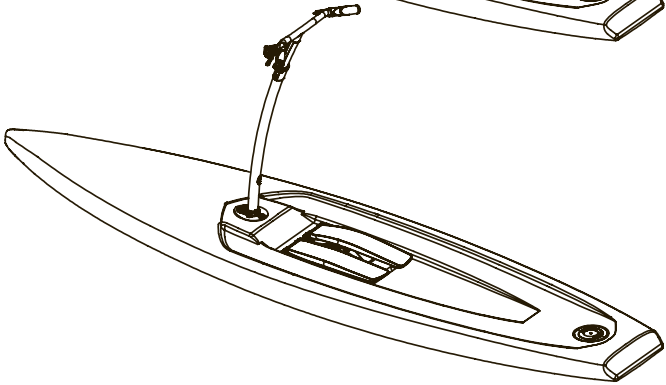
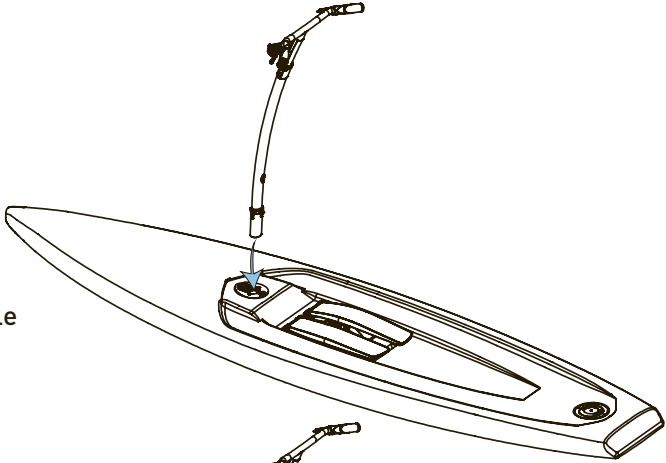
6. Cassette Plug



Installing the Handle Bars

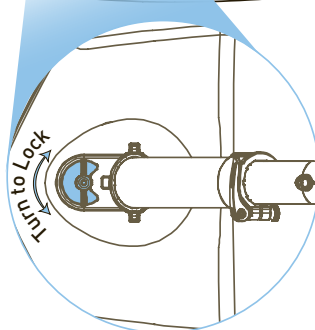
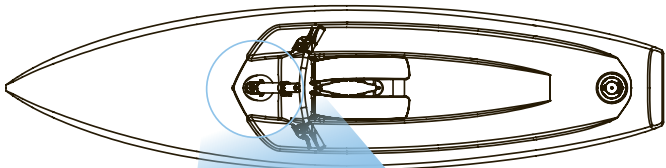
①

Plug in Handle Bars.



②

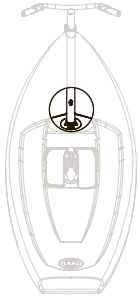
Lock by turning the knob either direction located on the hand bar receiver.



Steering Line Connection

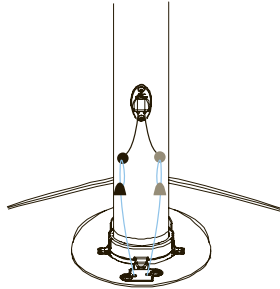
①

Locate the steering lines exiting the board and steering cables exiting the handle bars.



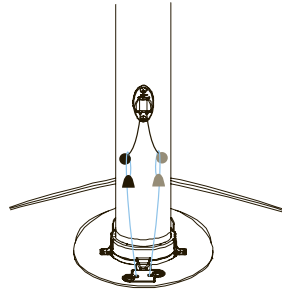
②

Loop the steering lines exiting the board around the balls connected to the steering cable on the handle bar.



③

The left steering line connects to the left cable, the right line to the right cable. Make sure the lines are not crossed. Grey to grey, black to black.

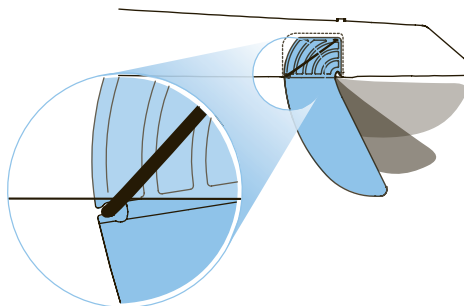
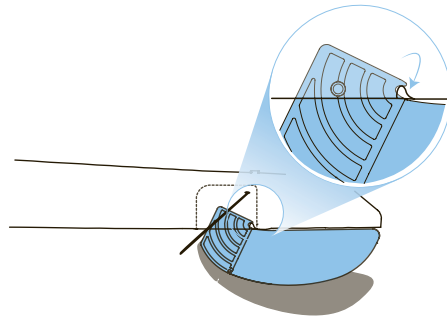


Installing the Rudder

①

Hook the rudder on the trailing edge of the slot in the rudder drum.

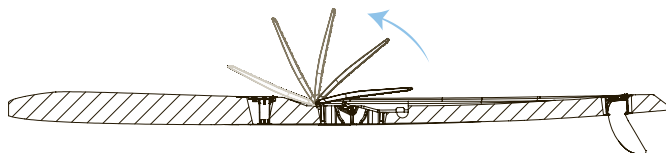
Stretch bungee loop over the rudder and into the hook on the front of the rudder. The bungee will deploy the rudder into position.



Installing the MirageDrive

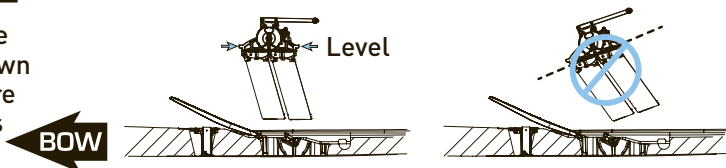
①

Flip pedals forward.



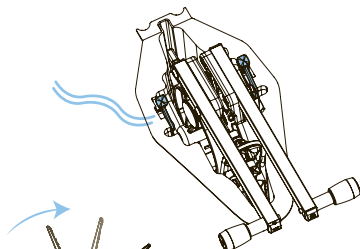
②

Lower drive straight down making sure the spine is level.



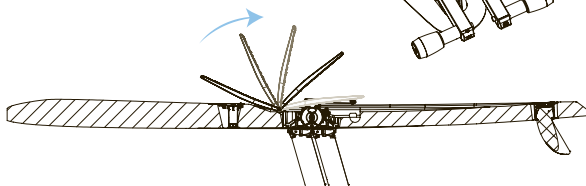
③

Press down and lock drive into the Click and Go's. The drive locks automatically when installed.



④

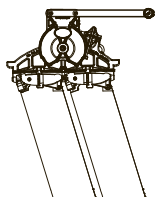
Flip pedals back.



Remove the MirageDrive

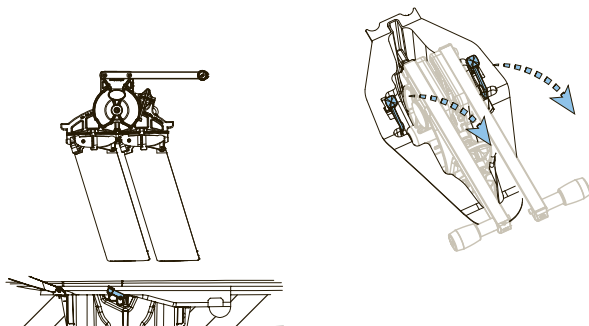
①

Pull back each Click and Go lever.

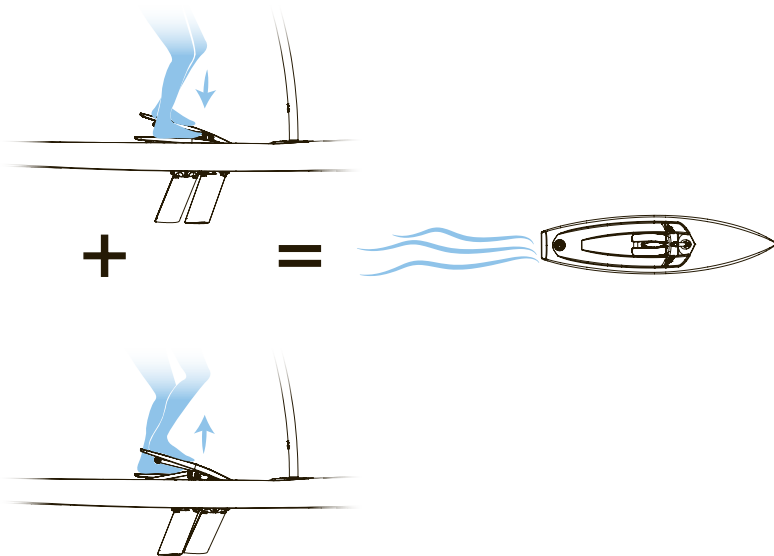


②

Lift drive straight up.



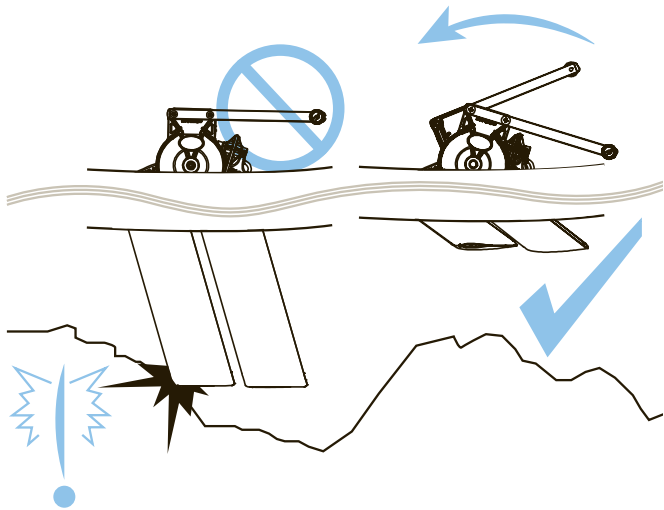
Mirage Driver Operation



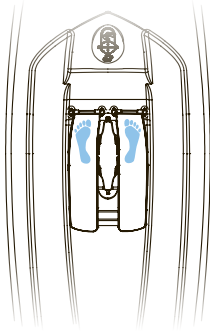
Shallow Water and Beaching

①

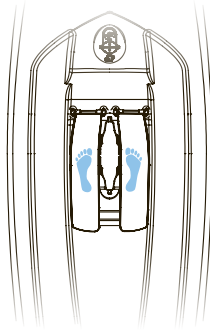
In shallow water push one pedal all the way down and continue doing small steps to keep the fins moving close to the board.



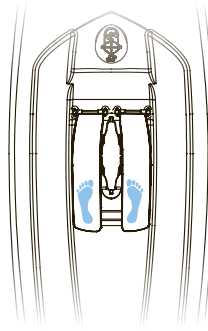
Pedal Positioning



High Pedal
Resistance



Mid Pedal
Resistance

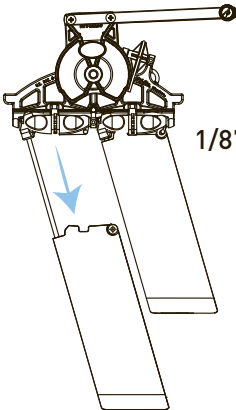


Low Pedal
Resistance

Adding/Decreasing Fin Resistance

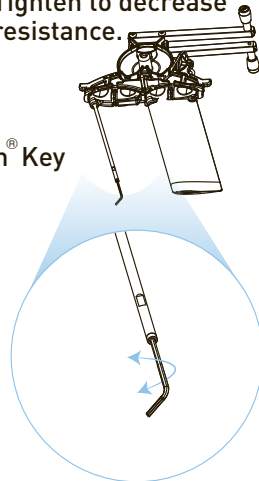
①

Take the fin off from the mast on your MirageDrive by removing the small key ring and pin.



②

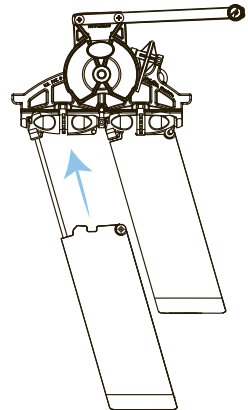
Loosen the screw on the bottom of the mast to increase resistance on the fin. Tighten to decrease resistance.



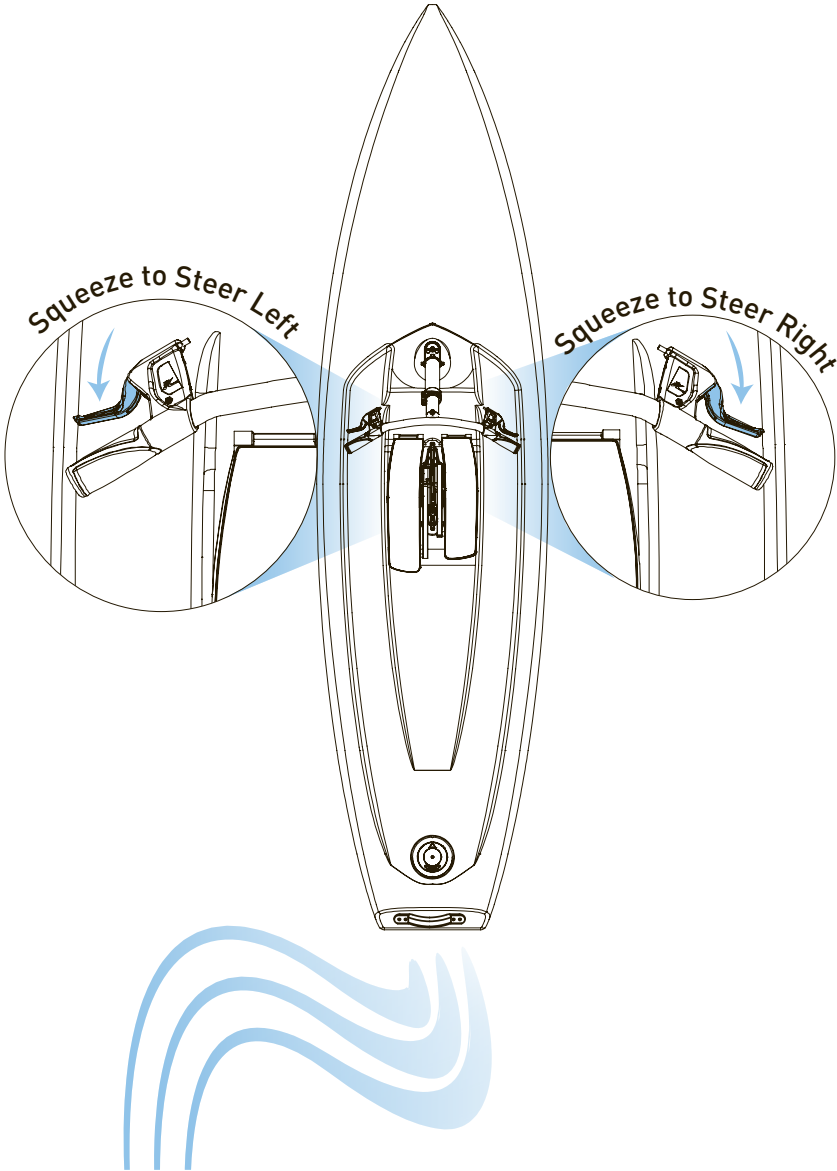
1/8" Allen® Key

③

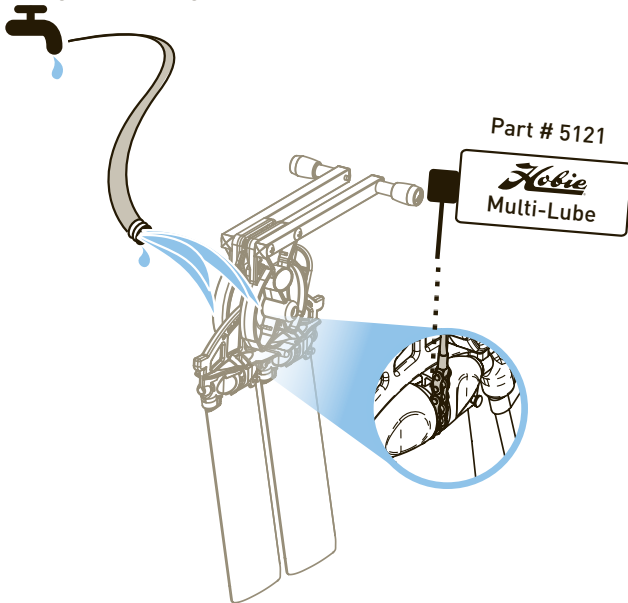
Put the fin back on the MirageDrive and secure with the pin and key ring.



Steering

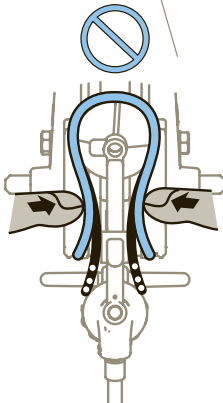
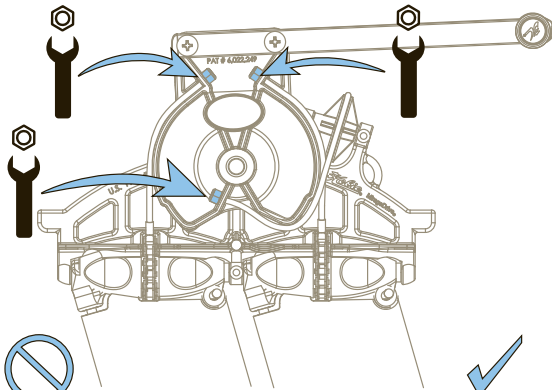


MirageDrive Regular Maintenance

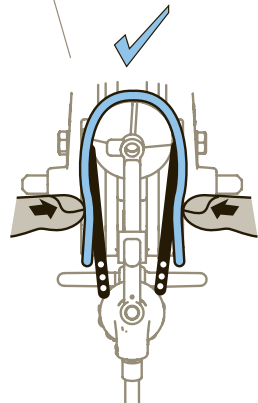


Note:
Please see the
back inside cover
for important
information about
care of your
epoxy board.

Check Cable Tension



Cables should
be tight enough
so they can
only be slightly
squeezed in
under firm
finger
pressure.



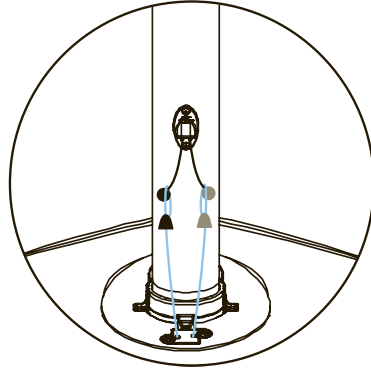
Adjusting Steering Lines

①

Connect steering lines to steering cables.

②

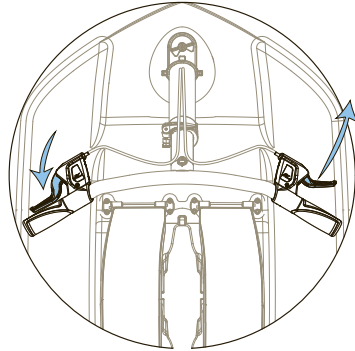
Compress one of the two calipers fully and have your partner hold it. If working alone, use a rubber band or tape to hold the caliper compressed.



Note: You can put a rubber band or tape the caliper to the handlebar to hold it in place if working alone.

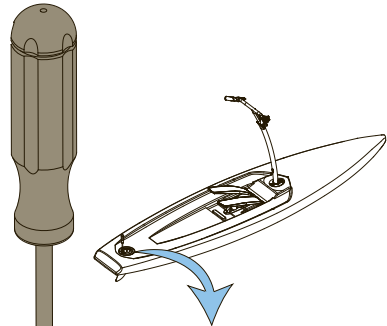
③

The rudder will be partially turned in one direction. Manually twist the rudder further in that direction until it hits a hard stop. Next, loosen the screw holding the appropriate adjustment line, pull the slack out and re-tighten.



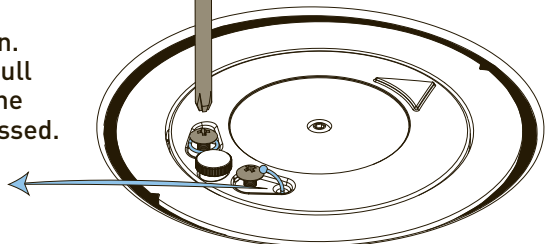
④

Release the depressed caliper. Compress the other caliper and repeat step 3 for it.



⑤

Check the rudder function. The rudder should twist full in both directions when the calipers are fully compressed.

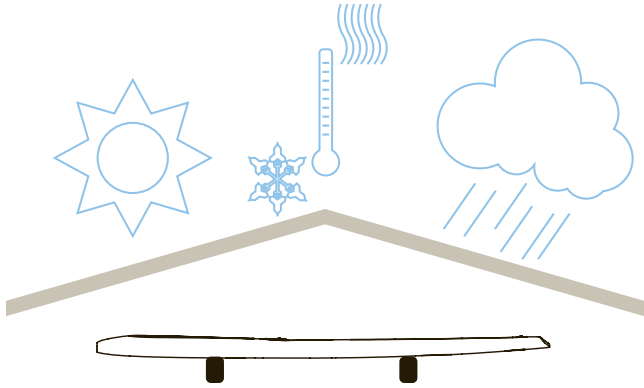


Storage

①

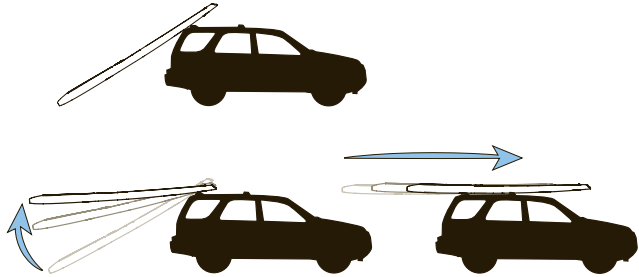
Store Mirage Eclipse in a dry environment out of the elements.

Do not store Mirage Eclipse in water.



NOTE: Bow and stern handles are not to be used to hang the board during storage or used as tie down points.

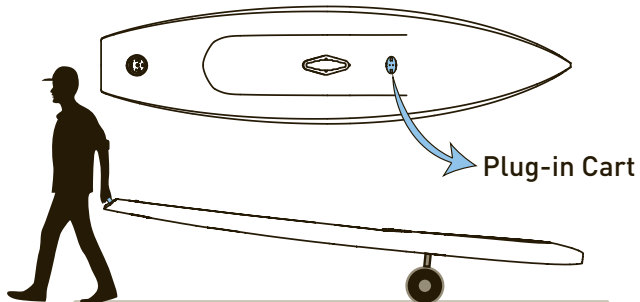
Car Topping



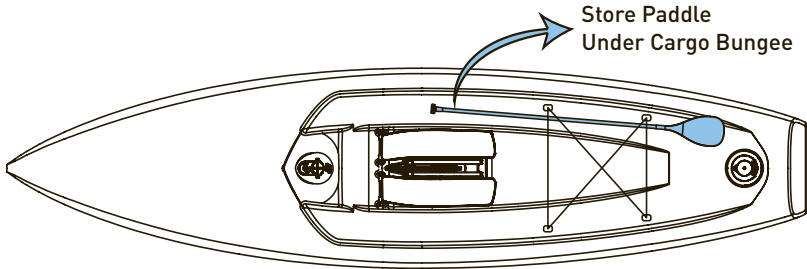
Plug-In cart

①

There are two ports on the underside of the board.

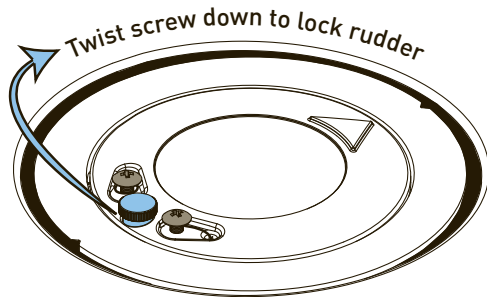


SUP Paddle Storage



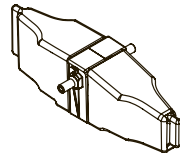
Rudder Lock for SUP

When using the Mirage Eclipse as a Stand Up Paddle Board, lock the rudder straight by twisting the thumb screw down.

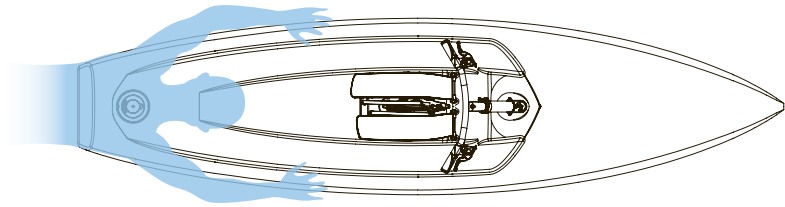
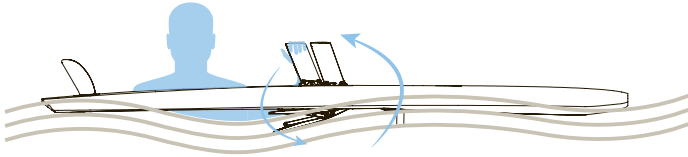


Mirage Cassette Plug

Your Mirage Eclipse is shipped with a Mirage Cassette Plug. The plug is provided as standard equipment in the Mirage Eclipse package. Insert the plug into the Mirage well when the MirageDrive is removed to provide added safety and to “fair” the bottom of the hull when paddling.

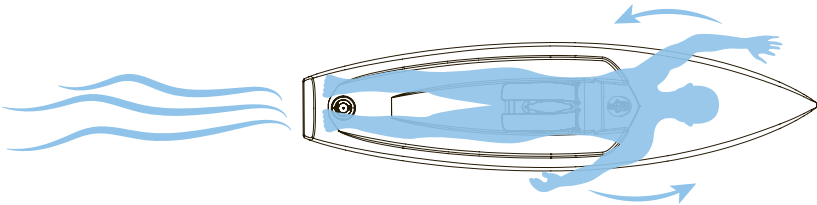


Flipping the Board



Paddling

If a failure in the MirageDrive occurs and you are without a paddle, remove handle bars and hand paddle board.



Checklist

Please read through the owner's information package prior to using this product.

The user of this product acknowledges both an understanding and assumption of risk involved in paddle/pedal sports. Consult your physician about physical activity.

Always:

- Wear a Coast Guard approved personal flotation device.
- Always file a float plan: Let someone know where you are going and when you will return.
- Dress appropriately for weather conditions. Cold water and/or weather can result in hypothermia. Apply sunscreen and other sun protective clothing.
- Check your equipment prior to each use for signs of wear or failure.
- Tie a leash to your paddle and MirageDrive.
- Scout unfamiliar waters prior to launching.
- Be aware of river water levels, tidal changes, wind conditions, obstacles in and above the water and weather changes.
- Always wear a leash.

Never:

- Never go in flooded and/or fast moving water conditions.
- This product is not a surfboard and not intended to ride waves. Riding waves on this product could result in injury.
- Never exceed your ability and be aware of your limitations.
- Never use alcohol or mind-altering drugs prior to or while using this product.

It is very important that you complete and send us your Warranty Registration Card as soon as possible.

This information enables Hobie Cat Company to contact you should there be important product information that needs to be shared with you in a timely manner. Please complete the Warranty Registration Card in your Owner's Packet, or take advantage of our online option at:

<http://www.hobie.com/product-registration>

or

Scan this QR code with your smart phone



If you have a question or issue with your Hobie product, please see your Authorized Hobie Kayak Dealer. They will assess the problem, assist with a repair and file a warranty claim with Hobie Cat Company if needed. All warranty claims must go through your Authorized Hobie Kayak Dealer. The Warranty Registration Card and Warranty Policies are included with each model in the Owner's Packet. Type in the address below to go to our dealer finder webpage.

All specs, colors, graphics and features are subject to change without notice. Please refer to the website for complete details.

<http://www.hobie.com/dealers>

Storage of your Eclipse board in water can lead to osmotic blistering, a cosmetic issue that is repairable, and is not covered by warranty.



How to Keep Your Hobie Mirage Eclipse Looking Beautiful

Every Hobie Mirage Eclipse board is master crafted. The ACX construction – Advanced Composite Epoxy – gleams with a high gloss finish and beautiful graphics.

Like all hand crafted products, each board is unique. The differences from one to the next are small. We think of the variations as character and personality.

Similar to a new sports car or one of Hobie's high-performance Apex RAW 4R racing boards, the beauty of the Mirage Eclipse board will last longer with proper care. To preserve the high gloss finish, avoid bumping into rocks, gravel, docks or other objects.

Hobie recommends that you launch the Mirage Eclipse in water that reaches up to your knees – about sixteen inches deep. Not only will this prevent damage to the beautiful board finish, it allows the MirageDrive® and rudder room to operate without striking the bottom. When finished with your outing, step off your Mirage Eclipse in knee deep water. Refrain from running the board into the beach while in use.

ACX boards feature strong, composite construction. Paint chips and scratches are superficial, normal wear. They won't impact performance.

To keep your Hobie Mirage Eclipse in top shape and get the most out of your board, be sure to start by viewing the Quick Start video before using. To keep your new Eclipse looking its best, follow these routine care recommendations.

- Rinse with fresh water after each use.
- Keep the board clean and dry for extended storage, preferably in an Eclipse protective board bag.
- When stored, keep the board out of direct sunlight or extreme heat or cold.
- Do not store the board in water as it could lead to osmotic blistering.
- We encourage owners to use the accessory beach cart for easier transport on land and use rail, nose and tail protection tape to further protect against scratches.
- Store or rack the board pad down.
- Board bags, beach carts, protective tape and rack pads are all available through your Hobie Authorized Eclipse Dealer.

With care, your Mirage Eclipse will retain its beauty.

MirageDrive Bag
72020512



Phone Holder (Universal)
72020511



Mirage Eclipse Bag
10.5 72050002
12.0 72050001



Water Bottle Holder
72020510



Plug-In Cart
80045201
Optional i Plug-In Cart
80045101



Get Out There!



Hobie Cat Company

Holding Company

Oceanside, California, USA

1-800-HOBIE-49

Hobie Cat Australasia

Subsidiary

Huskisson, New South Wales, Australia

1-800-4-HOBIE

Hobie Cat Europe

Subsidiary

Toulon, France

+33 (0) 494 08 78 78

Hobie Kayak Europe

Independent Distributor

Stellendam, The Netherlands

+31 (0) 187 499 440

Hobie Cat Brasil

Independent Distributor

Porto Belo, Santa Catarina, Brazil

+55 (21) 3942 6815

Hobie.com

PN 98990104

REV 190508