

2014



CATALOG & SPECIFICATION GUIDE

HOLLAND FIFTH WHEELS



OFFERING THE MOST EXTENSIVE RANGE OF FIFTH WHEEL
MODELS TO MEET YOUR APPLICATION NEEDS

XL-FW10066SG-en-US Rev F



YOUR COMPLETE SOURCE FOR COMMERCIAL VEHICLE PRODUCT SOLUTIONS



In 2006, two industrial icons merged to form SAF-HOLLAND, a global leader in the design and manufacture of high-quality components and systems for the commercial vehicle industry. Today, SAF-HOLLAND represents a range of brands providing suspension/axle systems, fifth wheels, kingpins, coupling products, landing gear and liftgate solutions for truck, tractor, bus, and trailer applications.



SAF-HOLLAND Group

- FIFTH WHEELS
- LANDING GEAR
- KINGPINS
- COUPLINGS
- LIFTGATES



SAF-HOLLAND Group

- MECHANICAL SUSPENSION/
AXLE SYSTEMS
- TRAILER AXLES/BRAKES
- AIR-RIDE SUSPENSION/
AXLE SYSTEMS
- KINGPINS



SAF-HOLLAND Group

- SEVERE-DUTY VOCATIONAL
AIR-RIDE SUSPENSIONS
- BUS AIR-RIDE SUSPENSIONS
- STEER AIR-RIDE
SUSPENSIONS



www.safholland.com



HOLLAND® has the Solution

HOLLAND fifth wheels have earned a reputation of exceptional durability, reliability, and driver productivity that continues to “raise the bar” on fifth wheel performance standards, while lowering the total cost-of-ownership. The HOLLAND fifth wheel product line is the most comprehensive in the world, with designs for applications as varied as light commercial fifth wheels for small trailers and recreational applications all the way to applications requiring up to 165,000 lbs. (74,844 kg.) of vertical load capacity. As the fifth wheel industry’s technological leader, HOLLAND fifth wheels have been a part of virtually every fifth wheel innovation.

- KOMPENSATOR® Mounting Base
- ELI™ – Electronic Lock Indicator
- NoLube™ Fifth Wheel (world’s only completely lubrication free fifth wheel)
- FW17 Low-Weight Top Plate
- ILS™ – Integrated Low-Weight Slider
- FWAL Forged Aluminum Fifth Wheel (world’s lightest fifth wheel - over 100 lbs. lighter)

Whatever the demands of your application, HOLLAND has the solution.

Guaranteed Performance

A fifth wheel is only as good as the company that stands behind it, and SAF-HOLLAND has taken supplier accountability to the next level by offering the industry’s first “wear-out” (performance) guarantee. Backed by the industry’s most extensive fifth wheel testing process, SAF-HOLLAND not only provides the longest fifth wheel material and workmanship warranties in the industry, but guarantees their durability as well.

Simply put:

- No front lock insert replacements
- No lock jaw replacements
- No rebuilds

For specific details, please see the appropriate fifth wheel warranty statement. SAF-HOLLAND leads the industry with proven value, high performance, and exceptional operating and economic advantages. With superior after-sales service, offering over 4,600 distributor and OEM locations across the globe, SAF-HOLLAND is committed to quality from start to finish.

Can you afford not to spec HOLLAND fifth wheels?



FIFTH WHEEL CATALOG

Application Guide 6

Options Overview 9

HOLLAND® Fifth Wheel Top Plate Models

Standard

FW35 12
 FW33 LowLube 13
 FW31 NoLube™ 14
 FW17 15
 FW16 LowLube 16
 FWAL Aluminum NoLube™ 17

Extra Capacity

FW0070 18
 FW0100/FW0165 19

Extra Capacity/Fully Oscillating

FW2080 20

Terminal Tractor

FW35-03344 21
 FW2870 22

Terminal Tractor/Elevating

FW2800/FW2900 23

Light Commercial

FW6000 24
 FW0001/FW0002 25

Mounting Systems

Stationary Mounts (FW35, FW33, FW31, FW17, FW16, FWAL)

Foot Mount 28
 Integrated Plate Mount 29
 Bracket for Angle Mounting 30
 Bracket with Angle Mount 31

Sliding Mounts (FW35, FW33, FW31, FW17, FW16, FWAL)

ILS™ Outboard Mount 32
 ILS™ Inboard Mount (Over-the-Frame) 33



Mounting Systems *continued*

FW0070 Series Stationary Mounts

Foot Mount.	34
Integrated Plate Mount	34
Bracket for Angle Mounting	35
Bracket with Angle Mount	35

FW0070 Series Sliding Mounts

Inboard for Angle Mounting (Over-the-Frame).	36
--	----

No-Tilt Stationary Mounts (FW35, FW33)

Outboard Mount.	37
Inboard for Angle Mounting (Over-the-Frame).	38

No-Tilt Sliding Mounts (FW35, FW33)

ILS™ Outboard Mount	39
ILS™ Inboard for Angle Mounting (Over-the-Frame)	40

Kompensator® Stationary Mounts (FW35, FW33 and FW0070)

Outboard Plate Mount	41
--------------------------------	----

Kompensator® Sliding Mounts (FW35, FW33 and FW0070)

Inboard for Angle Mounting (Over-the-Frame).	42
--	----

Custom Service Tools for Fifth Wheels	43
--	-----------

SPECIFICATION GUIDE

Specification Steps	46
--------------------------------------	-----------

Items to Consider	47
------------------------------------	-----------

Assembly Part Numbers and Dimensions

FW35	54
FW33	60
FW31	65
FW17	68
FW16	71
FWAL	74
FW0070	77
FW2570	79
FW7040	80
FW7090	80
FW0100	81
FW0165	81
FW2080	82

Glossary	83
---------------------------	-----------



SAF-HOLLAND Group

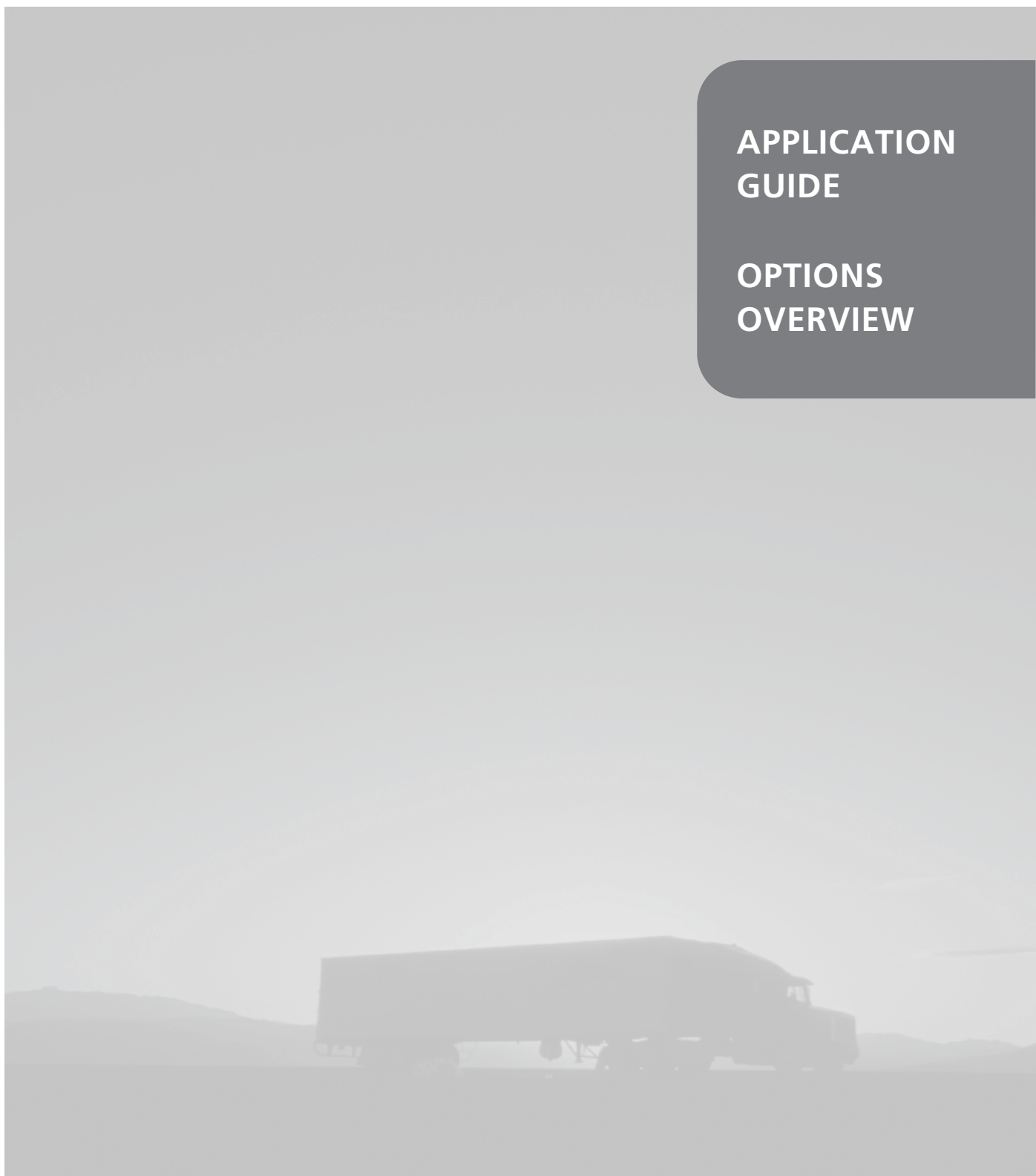
THIS PAGE INTENTIONALLY LEFT BLANK



SAF-HOLLAND Group

APPLICATION GUIDE

OPTIONS OVERVIEW



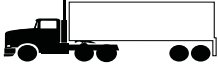
Standard Duty ⁽¹⁾

Weight (GCW): Less than 95,000 lbs. (43,000 kg.)
Gross Combination Weight (GCW)

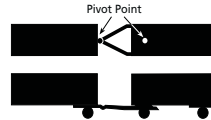
Road Type: 100% On-Road (maintained concrete or asphalt roads)

Trailer Type and Axle Limitation ^{(2):}

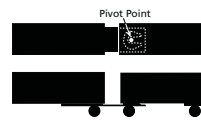
Single Trailer
Tandem Axle Only



"A" Train—Maximum of 3 Axles
(Trailer and Dolly Converter)



"B" Train—Maximum of 3 Axles
(Lead and "Pup" Trailer)



Note: Any tractor used for "short haul" (e.g. city pickup and delivery) is to be considered "Moderate Duty"

Standard Duty												
	Low Lube		Low Lube		Low Lube		Low Lube		NoLube™		Alum. NoLube™	
Top Plate	17 (XA-17)		16 (XA-161)		35 (XA-351)		33 (XA-331)		31 (XA-311)		AL (XA-AL)	
Maximum Vertical Load	50,000 lbs. 22,700 kg.		50,000 lbs. 22,700 kg.		55,000 lbs. 25,000 kg.		55,000 lbs. 25,000 kg.		55,000 lbs. 25,000 kg.		55,000 lbs. 25,000 kg.	
Maximum Drawbar Pull	150,000 lbs. 68,000 kg.		150,000 lbs. 68,000 kg.		150,000 lbs. 68,000 kg.		150,000 lbs. 68,000 kg.		150,000 lbs. 68,000 kg.		150,000 lbs. 68,000 kg.	
Mounting Style	Stationary	Sliding	Stationary	Sliding	Stationary	Sliding	Stationary	Sliding	Stationary	Sliding	Stationary	Sliding
Tractors												
Van Trailers	✓	✓	✓	✓	✓	✓	✓	✓	✓	✓	✓	✓
Tanker & Dry Bulk Trailers	✓	✓	✓	✓	Komp Available ⁽³⁾⁽⁴⁾		Komp Available ⁽³⁾⁽⁴⁾		✓	✓	✓	✓
Flatbed, Stretch & Pole Trailers	✓	✓	✓	✓	✓	✓	✓	✓	✓	✓	✓	✓
End Dump (Framed Trailers)	✓	✓			✓	✓	✓	✓				
End Dump (Frameless) Trailers					No-Tilt Only ⁽⁵⁾		No-Tilt Only ⁽⁵⁾					
Side Dump Trailers					No-Tilt Only ⁽⁵⁾		No-Tilt Only ⁽⁵⁾					
Bottom Dump Trailers					Komp Available ⁽³⁾⁽⁴⁾		Komp Available ⁽³⁾⁽⁴⁾					
Lowboy Trailers					Komp Available ⁽³⁾⁽⁴⁾		Komp Available ⁽³⁾⁽⁴⁾					
B-Trains												
Van, Flatbed & Stretch Trailers	✓	✓	✓	✓	Komp Available ⁽³⁾⁽⁴⁾		Komp Available ⁽³⁾⁽⁴⁾		✓	✓	✓	✓
Tank & Bottom Dump Trailers					Komp Available ⁽³⁾⁽⁴⁾		Komp Available ⁽³⁾⁽⁴⁾		✓	✓	✓	✓
End Dump Trailers					✓	✓	✓	✓				
Converter Dillies												
	✓	✓			✓	✓	✓	✓				

NOTES: (1) If any single limitation factor is exceeded within a given duty type, you must move up to the next duty level.

(2) The term "Axle Limitation", as used in this guide, refers to the total number of axles on the "towed vehicle(s)" or trailer(s).

(3) The Kompensator® fifth wheel mounting system can only be used where the loaded center of gravity of the trailer is no more than 44" (1100 mm) above the fifth wheel.

(4) "Kompensator® Available" means that stationary and sliding Kompensator® mounting systems are available as well as standard stationary and sliding mounting systems.

(5) Trailers equipped with an oscillating/articulating bolster (kingpin) plate require a non-articulating fifth wheel such as a No-Tilt.

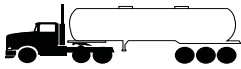
Moderate Duty ⁽¹⁾

Weight (GCW): Less than 115,000 lbs. (52,000 kg.)
Gross Combination Weight (GCW)

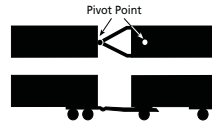
Road Type: Less than 10% Off-Road (gravel or crushed rock roads) with balance On-Road
(maintained concrete or asphalt roads)

Trailer Type and Axle Limitation ^{(2):}

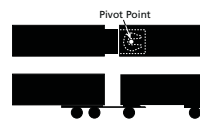
Single Trailer
Tandem and Tri-axle Only



"A" Train—Maximum of 4 Axles
(Trailer and Dolly Converter)



"B" Train—Maximum of 4 Axles
(Lead and "Pup" Trailer)



Note: Any tractor used for "short haul" (e.g. city pickup and delivery) is to be considered "Moderate Duty"

Moderate Duty							
Top Plate	35 (XA-351)		33 (XA-331) LowLube		0070 (XA-71)		2080 (XA-2081)
Maximum Vertical Load	55,000 lbs. 25,000 kg.		55,000 lbs. 25,000 kg.		70,000 lbs. 31,750 kg.		70,000 lbs. 31,750 kg.
Maximum Drawbar Pull	150,000 lbs. 68,000 kg.		150,000 lbs. 68,000 kg.		200,000 lbs. 90,700 kg.	150,000 lbs. 68,000 kg.	200,000 lbs. 90,700 kg.
Mounting Style	Stationary	Sliding	Stationary	Sliding	Stationary	Sliding	Stationary
Tractors							
Van Trailers	✓	✓	✓	✓	✓	✓	
Tanker & Dry Bulk Trailers	Komp Available ⁽³⁾⁽⁴⁾⁽⁶⁾		Komp Available ⁽³⁾⁽⁴⁾⁽⁶⁾		Komp Available ⁽³⁾⁽⁴⁾		
Flatbed, Stretch & Pole Trailers	✓	✓	✓	✓	✓	✓	
End Dump (Framed Trailers)	✓	✓	✓	✓	✓	✓	
End Dump (Frameless) Trailers	No-Tilt Only ⁽⁵⁾		No-Tilt Only ⁽⁵⁾				
Side Dump Trailers	No-Tilt Only ⁽⁵⁾		No-Tilt Only ⁽⁵⁾		✓	✓	
Bottom Dump Trailers	Komp Available ⁽³⁾⁽⁴⁾⁽⁶⁾		Komp Available ⁽³⁾⁽⁴⁾⁽⁶⁾		Komp Available ⁽³⁾⁽⁴⁾		✓
Lowboy Trailers	Komp Available ⁽³⁾⁽⁴⁾⁽⁶⁾		Komp Available ⁽³⁾⁽⁴⁾⁽⁶⁾		✓	✓	✓
B-Trains							
Van, Flatbed & Stretch Trailers	Komp Available ⁽³⁾⁽⁴⁾⁽⁶⁾		Komp Available ⁽³⁾⁽⁴⁾⁽⁶⁾		✓	✓	
Tank & Bottom Dump Trailers	Komp Only ⁽³⁾⁽⁶⁾		Komp Only ⁽³⁾⁽⁶⁾		Komp Only ⁽³⁾		
End Dump Trailers	✓	✓	✓	✓	✓	✓	
Converter Dillies	Komp Available ⁽³⁾⁽⁴⁾⁽⁶⁾		Komp Available ⁽³⁾⁽⁴⁾⁽⁶⁾		Komp Available ⁽³⁾⁽⁴⁾		

- NOTES: (1) If any single limitation factor is exceeded within a given duty type, you must move up to the next duty level.
 (2) The term "Axle Limitation", as used in this guide, refers to the total number of axles on the "towed vehicle(s)" or trailer(s).
 (3) The Kompensator® fifth wheel mounting system can only be used where the loaded center of gravity of the trailer is no more than 44" (1100 mm) above the fifth wheel.
 (4) "Kompensator® Available" means that stationary and sliding Kompensator® mounting systems are available as well as standard stationary and sliding mounting systems.
 (5) Trailers equipped with an oscillating/articulating bolster (kingpin) plate require a non-articulating fifth wheel such as a No-Tilt.
 (6) Moderate Duty applications require "7720" Series plate mounts for Kompensator® stationary mounting systems.

Severe Duty ⁽¹⁾

Weight (GCW): More than 115,000 lbs. (52,000 kg.)
Gross Combination Weight (GCW)

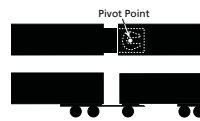
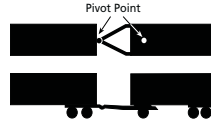
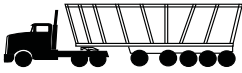
Road Type: More than 10% Off-Road (gravel, crushed rock, hard packed dirt, or unimproved / unmaintained roads)

Trailer Type and Axle Limitation ⁽²⁾:

Single Trailer
No Axle Limitations

"A" Train—No Axle Limitations

"B" Train—No Axle Limitations



Severe Duty							
Top Plate	35 (XA-351)		0070 (XA-71)		2080 (XA-2081)	0100 (XA-101)	0165 (XA-0116)
Maximum Vertical Load	55,000 lbs. 25,000 kg.		70,000 lbs. 31,750 kg.		70,000 lbs. 31,750 kg.	100,000 lbs. 45,350 kg.	165,000 lbs. 74,850 kg.
Maximum Drawbar Pull	150,000 lbs. 68,000 kg.		200,000 lbs. 90,700 kg.	150,000 lbs. 68,000 kg.	200,000 lbs. 90,700 kg.	200,000 lbs. 90,700 kg.	200,000 lbs. 90,700 kg.
Mounting Style	Stationary ⁽⁶⁾	Sliding ⁽⁷⁾	Stationary	Sliding	Stationary	Stationary	Stationary
Tractors							
Van Trailers	✓	✓	✓	✓		✓	✓
Tanker & Dry Bulk Trailers	Komp Available ⁽³⁾⁽⁴⁾⁽⁸⁾		Komp Available ⁽³⁾⁽⁴⁾⁽⁹⁾				
Flatbed, Stretch & Pole Trailers	✓	✓	✓	✓		✓	✓
End Dump (Framed Trailers)	✓	✓	✓	✓		✓	✓✓
End Dump (Frameless) Trailers	No-Tilt Only ⁽⁵⁾						
Side Dump Trailers	No-Tilt Only ⁽⁵⁾		✓	✓			
Bottom Dump Trailers	Komp Available ⁽³⁾⁽⁴⁾⁽⁸⁾		Komp Available ⁽³⁾⁽⁴⁾⁽⁹⁾		✓	✓	
Lowboy Trailers	Komp Available ⁽³⁾⁽⁴⁾⁽⁸⁾		Komp Available ⁽³⁾⁽⁴⁾⁽⁹⁾			✓	

NOTES: (1) If any single limitation factor is exceeded within a given duty type, you must move up to the next duty level.

(2) The term "Axle Limitation", as used in this guide, refers to the total number of axles on the "towed vehicle(s)" or trailer(s).

(3) The Kompensator® fifth wheel mounting system can only be used where the loaded center of gravity of the trailer is no more than 44" (1100 mm) above the fifth wheel.

(4) "Kompensator® Available" means that stationary and sliding Kompensator® mounting systems are available as well as standard stationary and sliding mounting systems.

(5) Trailers equipped with an oscillating/articulating bolster (kingpin) plate require a non articulating fifth wheel such as a No-Tilt.

(6) Severe Duty applications require "7500" Series brackets for standard stationary mounting systems.

(7) Severe Duty applications require "7000" Series sliders for standard sliding mounting systems.

(8) Severe Duty applications require "7720" Series plate mounts for Kompensator® stationary mounting systems.

(9) Severe Duty applications require "7770" Series plate mounts for KOMPENSATOR stationary mounting systems.



Fifth Wheel Top Plates / Options Overview

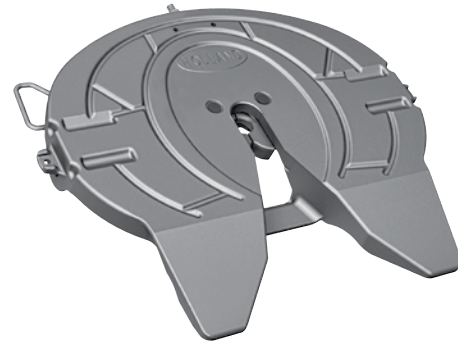
	Fifth Wheel Assembly (Top Plate)	FW17	FW16	FW35	FW33	FW31	FWAL
		(XA-17)	(XA-16)	(XA-351)	(XA-331)	(XA-311)	(XA-AL)
Standard Fifth Wheels	Air Release – Allows in-cab release of fifth wheel locking mechanism.	✓	✓	✓	✓	✓	✓
	Drilled and Tapped for Auto Lube – Provides a central point (manifold) of lubrication that distributes lubrication to all friction points between tractor and trailer.	✓		✓			
	ELI™ (Electronic Lock Indicator) – Allows in-cab management of the coupling process, via a coupling status display, as a supplement to visual inspection and pull test procedure.			✓	✓	✓	
	Kompensator® Lockouts – Allows lock out of the Kompensator® feature to make the fifth wheel semi-oscillating when required.			✓	✓		
	Dolly Release Handle – Provides easier release handle access.			✓	✓		
	Manual Secondary Lock – Provides additional security lock that is manually disengaged and automatically engaged during uncoupling and coupling.			✓	✓	✓	
	LowLube – Provides a grease-free fifth wheel coupling surface. Only requires lubrication of the locking mechanism.		Standard		Standard		
	NoLube™ – Provides completely grease-free fifth wheel coupling surface. Only requires no lubrication, including the locking mechanism.					Standard	Standard
	No-Tilt – Allows semi-oscillating fifth wheel to convert to non-oscillating fifth wheel when required.			✓	✓		
Right Hand Release – Provides curb-side handle release.		✓	✓	✓	✓		

	Fifth Wheel Assembly (Top Plate)	FW0070	FW0100	FW0165	FW2080
		(XA-71)	(XA-101)	(XA-0116)	(XA-2081)
Extra Capacity Fifth Wheels	3.5" Kingpin Lock	✓	✓	✓	✓
	Air Release – Allows in-cab release of fifth wheel locking mechanism.		✓		✓
	Fully Oscillating – Provides fore/aft and side-to-side articulation which minimizes torque and twist transfer through the fifth wheel. Used where center of gravity is equal to or below fifth wheel height.				Standard
	Oscillator Lockouts – Allows lock out of side-to-side articulation.				✓
	Kompensator® Lockouts – Allows lock out of the Kompensator® feature to make the fifth wheel semi-oscillating when required.	✓			
	Kompensator® Dust Covers – For severe dusty/dirty environments.	✓	✓	✓	✓
	Manual Secondary Lock – Provides additional security lock that is manually disengaged and automatically engaged during uncoupling and coupling.	Standard	Standard	Standard	Standard

	Fifth Wheel Assembly (Top Plate)	FW35-03344	FW2870	FW28(9)00-X, FW28(9)00-5X
		(XA-351-03505)	(XA-2801)	(XA-2081)
Terminal Tractor Fifth Wheels	Air Release – Allows in-cab release of fifth wheel locking mechanism.	Standard	Standard	Standard
	Drilled and Tapped for Auto Lube – Provides a central point (manifold) of lubrication that distributes lubrication to all friction points between tractor and trailer.	✓	✓	
	ELI (Electronic Lock Indicator) – Allows in-cab management of the coupling process, via a coupling status display, as a supplement to visual inspection and pull test procedure.	✓		
	Manual Secondary Lock – Provides additional security lock that is manually disengaged and automatically engaged during uncoupling and coupling.	Standard	Standard	Standard

THIS PAGE INTENTIONALLY LEFT BLANK

FIFTH WHEEL TOP PLATE MODELS

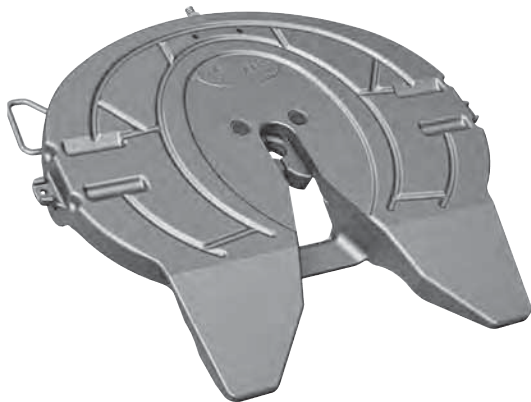


CONTENTS:

STANDARD, EXTRA CAPACITY, TERMINAL TRACTOR,
AND LIGHT COMMERCIAL DUTY MODELS

- CAPACITIES
- APPLICATIONS
- FEATURES
- AVAILABLE OPTIONS
- TOP PLATE PART NUMBERS
- TOP PLATE WEIGHTS
- AVAILABLE MOUNTING SYSTEMS
- TOP PLATE DIMENSIONS
- REBUILD AND REPLACEMENT KITS

FW35



Capacity

55,000 lbs. Maximum Vertical Load
150,000 lbs. Maximum Drawbar Pull

Applications

Standard, Moderate, and Severe Duty

Features

- Cast Steel Construction
- Forged, Machined, Heat-Treated Steel Lock Jaw
- Visible Lock Indicator
- Easy Infinite Lock Adjustment
- Automatic Secondary Lock
- Closed Loop Drop Handle
- NoLube™ Pocket Inserts
- Cast-In Grease Grooves

Warranty

- 6 Year/600,000 Mile Materials and Workmanship
- 6 Year/600,000 Mile Performance Guarantee

Options Available

- Right Hand Release Handle
- Air Release (Left Hand Release Only)
- ELI—Electronic Lock Indicator (Left Hand Release Only)
- Drilled and Tapped for Auto Lube
- Manual Secondary Release Handle
- Dolly Release Handle
- No-Tilt

Top Plate Part Numbers

DESCRIPTION	PART NUMBER	WEIGHT
Left Hand Release	XA-351-A-L-P	226 lbs.
Right Hand Release	XA-351-A-P	226 lbs.
For options, insert one of the following codes after the 6th digit. Example: XA-351-A-86-L-P. For multiple option combinations, please contact Customer Service for applicable Option Code.		
Air Release – OEM Replacement (LH Only)		Code 80
Air Release – New Installation (LH Only)		Code 86
ELI - Electronic Lock Indicator (LH Only)		Code EL
Drilled and Tapped for Auto Lube		Code 24
Manual Secondary Release Lock		Code 02
Dolly Release Handle (LH Only)		Code 28
No-Tilt Stationary		Code 06
No-Tilt Slider – Change “A-” to “A1-”		Code 06

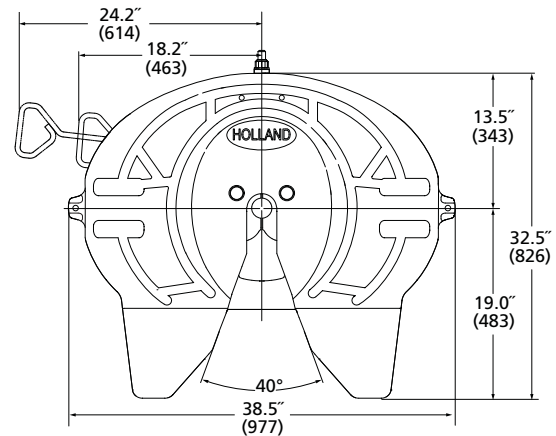
Mounting Systems Available

For Complete Assembly Part Numbers refer to “Mounting System” pages.

NOTE: Height and Travel data is given in INCHES

STATIONARY STYLES	HEIGHTS	
STANDARD BASES		
Foot Mount	6, 7, 8, 9	
Integrated Plate Mount		
Brackets Only		
Brackets with Mounting Angles		
No-Tilt BASES		
Outboard Mount	8, 9	
Inboard for Angle Mounting	8	
Kompensator® BASES		
Outboard Plate Mount	10, 12, 13	
SLIDING STYLES	HEIGHTS	TRAVELS
STANDARD BASES		
Outboard Mount	7, 8, 9	12, 24,
Inboard Mount		36, 48
No-Tilt BASES		
Outboard Mount	9	6, 18,
Inboard for Angle Mounting		30, 42
Kompensator® BASES		
Inboard for Angle Mounting	13	11, 17, 25, 41, 54, 66

Dimensions



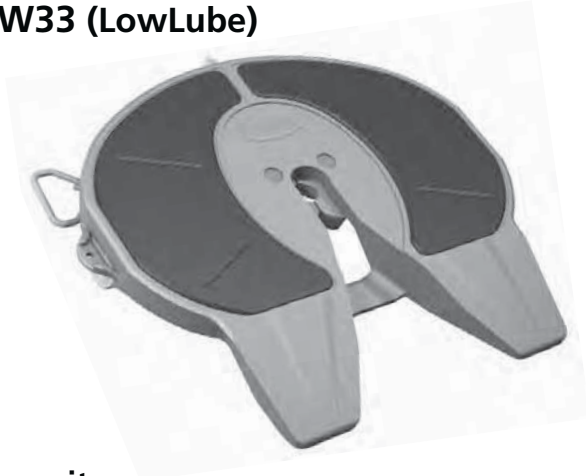
Rebuild and Replacement Kits

DESCRIPTION	RELEASE	PART NUMBER
Rebuild-Standard	LH	RK-351-A-L
Rebuild-Standard	RH	RK-351-A
Rebuild-w/Manual Secondary Release	LH	RK-351-A-02-L
Rebuild-w/Manual Secondary Release	RH	RK-351-A-02
Rebuild-w/Air Release	LH	RK-351-A-80-L
Lock Replacement Kit		RK-351-07296
Release Handle Replacement Kit	LH/RH	RK-08415-1
Pocket Inserts - Pair		RK-PKT-2



SAF-HOLLAND Group

FW33 (LowLube)



Capacity

55,000 lbs. Maximum Vertical Load
150,000 lbs. Maximum Drawbar Pull

Applications

Standard and Moderate Duty

Features

- Grease Fitting for Lock Lubrication
- Replaceable NoLube™ Plate Inserts
- NoLube™ Pocket Inserts
- Cast Steel Construction
- Forged, Machined, Heat-Treated Steel Lock Jaw
- Visible Lock Indicator
- Easy Infinite Lock Adjustment
- Automatic Secondary Lock
- Closed Loop Drop Handle

Warranty

- 6 Year/600,000 Mile Materials and Workmanship (2 Year/200,000 Miles on Lube Plates)
- 6 Year/600,000 Mile Performance Guarantee

Options Available

- Right Hand Release Handle
- Air Release (Left Hand Release Only)
- ELI-Electronic Lock Indicator (Left Hand Release Only)
- Manual Secondary Release Handle

Top Plate Part Numbers

DESCRIPTION	PART NUMBER	WEIGHT
Left Hand Release	XA-331-A-L-P	251 lbs.
Right Hand Release	XA-331-A-P	251 lbs.
For options, insert one of the following codes after the 6th digit. Example: XA-331-A-86-L-P. For multiple option combinations, please contact Customer Service for applicable Option Code.		
Air Release – OEM Replacement (LH Only)		Code 80
Air Release – New Installation (LH Only)		Code 86
ELI - Electronic Lock Indicator (LH Only)		Code EL
Manual Secondary Release Lock		Code O2

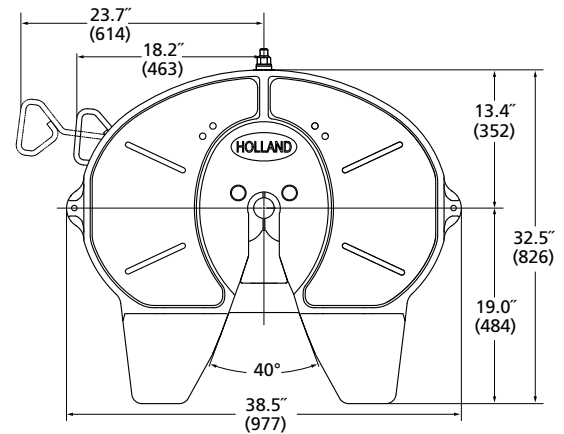
Mounting Systems Available

For Complete Assembly Part Numbers refer to "Mounting System" pages.

NOTE: Height and Travel data is given in INCHES

STATIONARY STYLES	HEIGHTS	
STANDARD BASES		
Integrated Plate Mount	6, 7, 8, 9	
No-Tilt BASES		
Outboard Mount	8, 9	
Inboard for Angle Mounting	8	
Kompensator® BASES		
Outboard Plate Mount	10, 12, 13	
SLIDING STYLES		
	HEIGHTS	TRAVELS
STANDARD BASES		
Outboard Mount	7, 8, 9	12, 24,
Inboard Mount		36, 48
No-Tilt BASES		
Outboard Mount	9	6, 18,
Inboard for Angle Mounting		30, 42
Kompensator® BASES		
Inboard for Angle Mounting	13	11, 17, 25, 41, 54, 66

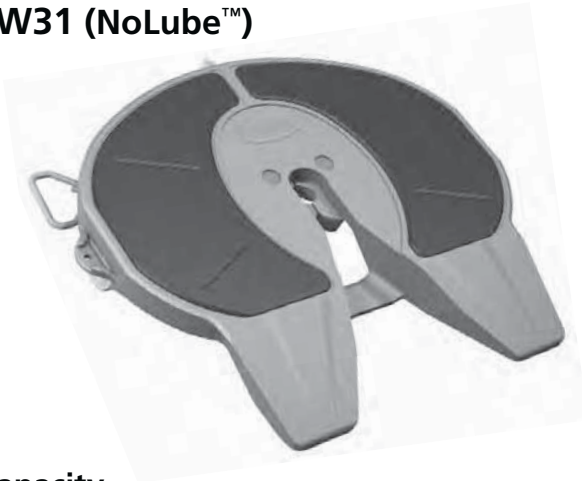
Dimensions



Rebuild and Replacement Kits

DESCRIPTION	RELEASE	PART NUMBER
Rebuild-Standard	LH	RK-331-A-L
Rebuild-Standard	RH	RK-331-A
Rebuild-w/Manual Secondary Release	LH	RK-331-A-02-L
Rebuild-w/Manual Secondary Release	RH	RK-331-A-02
Rebuild-w/Air Release	LH	RK-331-A-80-L
Lock Replacement Kit		RK-351-07296
Release Handle Replacement Kit	LH/RH	RK-08415-1
Lube Plate Inserts–Pair		RK-331-1
Pocket Inserts–Pair		RK-PKT-2

FW31 (NoLube™)



Capacity

55,000 lbs. Maximum Vertical Load
150,000 lbs. Maximum Drawbar Pull

Applications

Standard Duty

Features

- NoLube™ Coated Lock Components
- Replaceable NoLube™ Plate Inserts
- NoLube™ Pocket Inserts
- Cast Steel Construction
- Forged, Machined, Heat-Treated Steel Lock Jaw
- Visible Lock Indicator
- Easy Infinite Lock Adjustment
- Automatic Secondary Lock
- Closed Loop Drop Handle

Warranty

- 6 Year/600,000 Mile Materials and Workmanship (2 Year/200,000 Miles on Lube Plates)
- 6 Year/600,000 Mile Performance Guarantee

Options Available

- Right Hand Release Handle
- Air Release (Left Hand Release Only)
- ELI—Electronic Lock Indicator (Left Hand Release Only)
- Manual Secondary Release Handle

Top Plate Part Numbers

DESCRIPTION	PART NUMBER	WEIGHT
Left Hand Release	XA-311-A-L-P	251 lbs.
Right Hand Release	XA-311-A-P	251 lbs.
For options, insert one of the following codes after the 6th digit. Example: XA-311-A-86-L-P. For multiple option combinations, please contact Customer Service for applicable Option Code.		
Air Release – OEM Replacement (LH Only)		Code 80
Air Release – New Installation (LH Only)		Code 86
ELI - Electronic Lock Indicator (LH Only)		Code EL
Manual Secondary Release Lock		Code 02

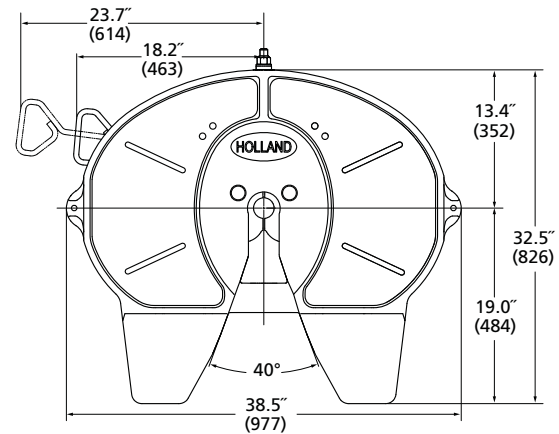
Mounting Systems Available

For Complete Assembly Part Numbers refer to "Mounting System" pages.

NOTE: Height and Travel data is given in INCHES

STATIONARY STYLES	HEIGHTS	
STANDARD BASES		
Foot Mount	6, 7, 8, 9	
Integrated Plate Mount		
Brackets Only		
Brackets with Mounting Angles		
SLIDING STYLES		
STANDARD BASES		
Outboard Mount	7, 8, 9	12, 24, 36, 48
Inboard Mount		

Dimensions



Rebuild and Replacement Kits

DESCRIPTION	RELEASE	PART NUMBER
Rebuild-Standard	LH	RK-311-A-L
Rebuild-Standard	RH	RK-311-A
Rebuild-w/Manual Secondary Release	LH	RK-311-A-02-L
Rebuild-w/Manual Secondary Release	RH	RK-311-A-02
Rebuild-w/Air Release	LH	RK-311-A-80-L
Lock Replacement Kit		RK-351-07296
Release Handle Replacement Kit	LH/RH	RK-08415-1
Lube Plate Inserts—Pair		RK-331-1
Pocket Inserts—Pair		RK-PKT-2

FW17



Capacity

50,000 lbs. Maximum Vertical Load
150,000 lbs. Maximum Drawbar Pull

Applications

Standard Duty

Features

- Cast Steel Construction
- Forged Steel Lock Jaw
- Automatic Secondary Lock
- Closed Loop Drop Handle
- NoLube™ Pocket Inserts
- Cast-In Grease Grooves

Warranty

- 5 Year/500,000 Mile Materials and Workmanship
- 5 Year/500,000 Mile Performance Guarantee

Options Available

- Drilled and Tapped for Auto Lube
- Air Release

Top Plate Part Number

DESCRIPTION	PART NUMBER	WEIGHT
Left Hand Release	XA-17-A-L-P	202 lbs.
For options, insert the following code after the 5th digit. Example: XA-17-A-80-L-P.		
Air Release – OEM Replacement		Code 80
Drilled and Tapped for Auto Lube		Code 24

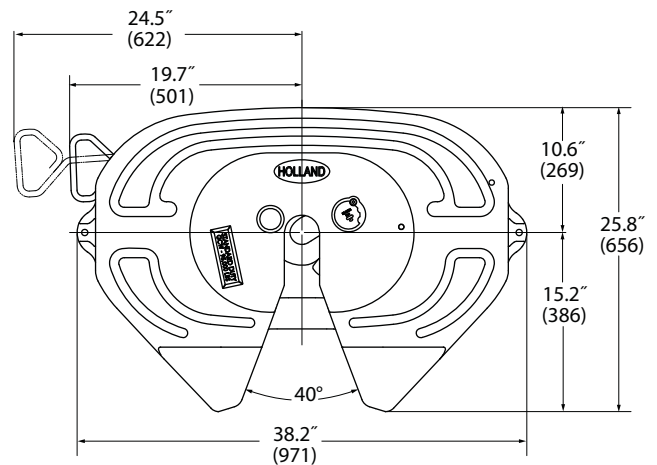
Mounting Systems Available

For Complete Assembly Part Numbers refer to "Mounting System" pages.

NOTE: Height and Travel data is given in INCHES

STATIONARY STYLES	HEIGHTS	
Foot Mount	6, 7, 8, 9	
Integrated Plate Mount		
Brackets Only		
Brackets with Mounting Angles		
SLIDING STYLES	HEIGHTS	TRAVELS
Outboard Mount	7, 8, 9	12, 24,
Inboard Mount		36, 48

Dimensions



Rebuild and Replacement Kits

DESCRIPTION	PART NUMBER
Rebuild – Standard	RK-17-A-L
Rebuild – w/Air Release	RK-17-A-80-L
Air Cylinder Replacement Kit	RK-171-10999
Lock Jaw Replacement Kit	RK-171-11078
Release Handle Replacement Kit – Manual	RK-171-11079
Release Handle Replacement Kit – Air	RK-171-11384
Pocket Inserts – Pair	RK-PKT-2

FW16 (LowLube)



Capacity

50,000 lbs. Maximum Vertical Load
150,000 lbs. Maximum Drawbar Pull

Applications

Standard Duty

Features

- Grease Fitting for Lock Lubrication
- Replaceable NoLube™ Plate Inserts
- Cast Steel Construction
- Forged Steel Lock Jaw
- Automatic Secondary Lock
- Closed Loop Drop Handle
- NoLube™ Pocket Inserts

Warranty

- 5 Year/500,000 Mile Materials and Workmanship (2 Year/200,000 Miles on Lube Plates)
- 5 Year/500,000 Mile Performance Guarantee

Options Available

- Right Hand Release Handle
- Air Release (Left Hand Release Only)

Top Plate Part Number

DESCRIPTION	PART NUMBER	WEIGHT
Left Hand Release	XA-16-A-L-P	198 lbs.
Right Hand Release	XA-16-A-P	198 lbs.
For options, insert the following code after the 5th digit. Example: XA-16-A-80-L-P		
Air Release – OEM Replacement		Code 80

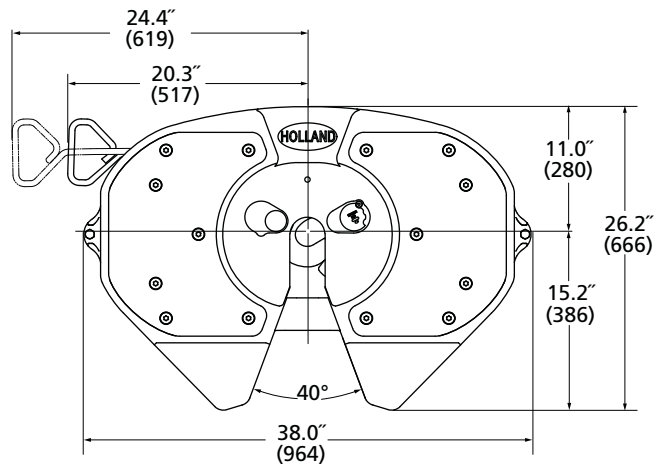
Mounting Systems Available

For Complete Assembly Part Numbers refer to "Mounting System" pages.

NOTE: Height and Travel data is given in INCHES

STATIONARY STYLES	HEIGHTS	
Integrated Plate Mount	6, 7, 8, 9	
Brackets Only		
Brackets with Mounting Angles		
SLIDING STYLES	HEIGHTS	TRAVELS
Outboard Mount	7, 8, 9	12, 24,
Inboard Mount		36, 48

Dimensions



Rebuild and Replacement Kits

DESCRIPTION	PART NUMBER
Rebuild – Standard	RK-161-A
Rebuild – w/Air Release	RK-161-A-80-L
Air Cylinder Replacement Kit	RK-161-10999
Lock Jaw Replacement Kit	RK-161-11078
Release Handle Replacement Kit – Manual	RK-161-11493
Release Handle Replacement Kit – Air	RK-161-11384
Lube Plate Inserts – Pair	RK-161-1
Lubrication Tube	RK-161-11774
Pocket Inserts – Pair	RK-PKT-2

FWAL (Aluminum NoLube™)



Capacity

55,000 lbs. Maximum Vertical Load
150,000 lbs. Maximum Drawbar Pull

Applications

Standard Duty

Features

- World's Lightest Weight Top Plate
- Alcoa Forged Aluminum Construction
- NoLube™ Coated Lock Components
- Replaceable NoLube™ Plate Inserts
- NoLube™ Pocket Inserts
- Forged Steel Lock Jaw
- Automatic Secondary Lock
- Closed Loop Drop Handle

Warranty

- 5 Year/500,000 Mile Materials and Workmanship (2 Year/200,000 Miles on Lube Plates)
- 5 Year/500,000 Mile Performance Guarantee

Top Plate Part Number

DESCRIPTION	PART NUMBER	WEIGHT
Left Hand Release	XA-AL-A-L-P	157 lbs.
For options, insert the following code after the 5th digit. Example: XA-AL-A-80-L-P		
Air Release – OEM Replacement		Code 80

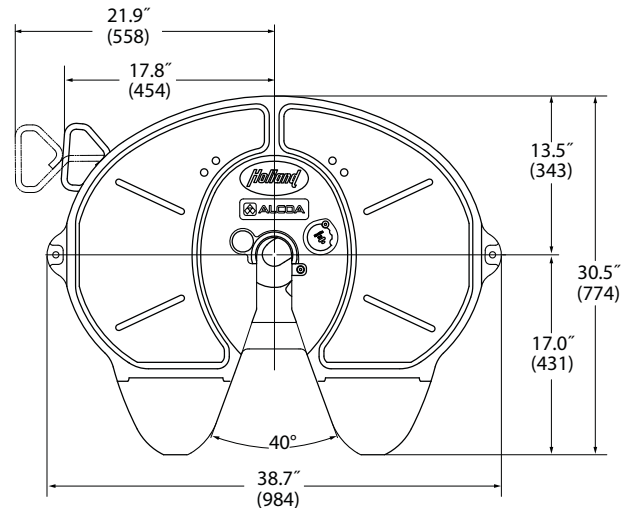
Mounting Systems Available

For Complete Assembly Part Numbers refer to "Mounting System" pages.

NOTE: Height and Travel data is given in INCHES

STATIONARY STYLES	HEIGHTS	
Foot Mount	6, 7, 8, 9	
Integrated Plate Mount		
Brackets Only		
Brackets with Mounting Angles		
SLIDING STYLES	HEIGHTS	TRAVELS
Outboard Mount	7, 8, 9	12, 24,
Inboard Mount		36, 48

Dimensions



Rebuild and Replacement Kits

DESCRIPTION	PART NUMBER
Rebuild	RK-AL-A-L
Rebuild – w/Air Release	RK-AL-A-80-L
Air Cylinder Replacement Kit	RK-AL-10999
Lock Replacement Kit	RK-AL-11078
Release Handle Replacement Kit	RK-10495-AL-P
Release Handle Replacement Kit – Air	RK-AL-11384
Lube Plate Inserts – Pair	RK-331-1
Pocket Inserts – Pair	RK-PKT-3

FW0070



Capacity

70,000 lbs. Maximum Vertical Load
 200,000 lbs. Maximum Drawbar Pull (Stationary Mount)
 150,000 lbs. Maximum Drawbar Pull (Sliding Mount)

Applications

Moderate and Severe Duty

Features

- Cast Steel Construction
- Forged, Machined, Heat-Treated Steel Lock Jaw
- Easy Infinite Lock Adjustment
- Manual Secondary Lock
- Cast-In Grease Grooves

Warranty

- 5 Year/500,000 Mile Materials and Workmanship

Options Available

- 3.5" Kingpin Lock

Top Plate Part Numbers

DESCRIPTION	PART NUMBER	KINGPIN LOCK	WEIGHT
Left Hand Release	XA-71-DAP	2"	316 lbs.
Left Hand Release	XA-71-OAP	3.5"	316 lbs.

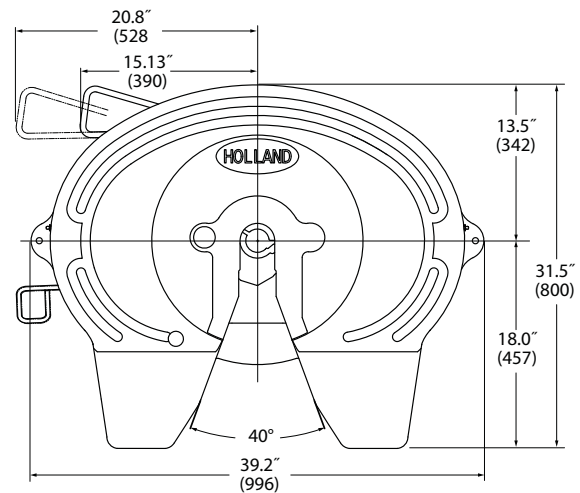
Mounting Systems Available

For Complete Assembly Part Numbers refer to "Mounting System" pages.

NOTE: Height and Travel data is given in INCHES

STATIONARY STYLES	HEIGHTS	
STANDARD BASES		
Foot Mount	7, 8, 9	
Integrated Plate Mount		
Brackets Only		
Brackets with Mounting Angles		
KOMPENSATOR BASES		
Outboard Mount	10, 12, 13	
SLIDING STYLES	HEIGHTS	TRAVELS
STANDARD BASES		
Inboard for Angle Mounting	8, 9	11, 17, 25, 41, 54, 66
KOMPENSATOR BASES		
Inboard for Angle Mounting	13	11, 17, 25, 41, 54, 66

Dimensions



Rebuild and Replacement Kits

DESCRIPTION	KINGPIN LOCK	PART NUMBER
Rebuild	2"	RK-65014
Rebuild (FW2570-7103*, FW2570-7450*)	2"	RK-65014-1
Rebuild	3.5"	RK-65015
Rebuild (FW2570-7103*, FW2570-7450*)	3.5"	RK-65015-1
Lock Replacement Kit	2"	RK-65024
Lock Replacement Kit	3.5"	RK-65024-1
Secondary Lock Replacement Kit		RK-65025
Release Handle Replacement Kit		XA-1117-H
Release Handle Replacement Kit (FW2570-7103*, FW2570-7450*)		XA-03715



SAF-HOLLAND Group

Top Plate Models – Extra Capacity

FW0100/FW0165



Capacity

100,000 lbs. Maximum Vertical Load (FW0100)
 165,000 lbs. Maximum Vertical Load (FW0165)
 200,000 lbs. Maximum Drawbar Pull

Applications

Severe Duty

Features

- Cast Steel Construction
- Forged, Machined, Heat-Treated Steel Lock Jaw
- Easy Infinite Lock Adjustment
- Manual Secondary Lock
- Cast-In Grease Grooves

Warranty

- 5 Year/500,000 Mile Materials and Workmanship

Options Available

- 3.5" Kingpin Lock

Top Plate Part Numbers

DESCRIPTION	PART NUMBER	KINGPIN LOCK	WEIGHT
FW0100	XA-101-DAS	2"	350 lbs.
FW0100	XA-101-OAS	3.5"	350 lbs.
FW0165	XA-0116-1S	2"	471 lbs.
FW0165	XA-0116S	3.5"	471 lbs.

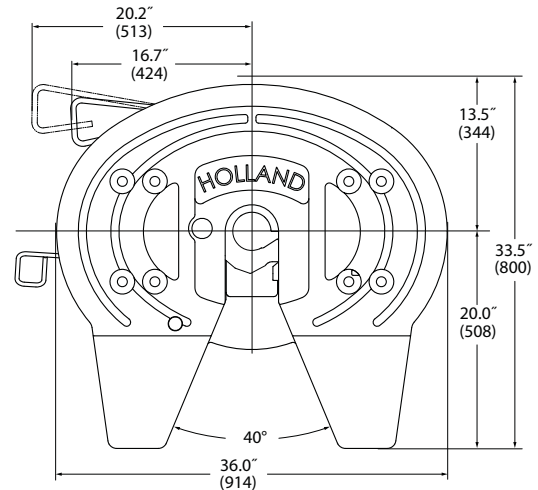
Mounting Systems Available

NOTE: Height data is given in INCHES

FIFTH WHEEL ASSEMBLY MODEL NUMBER	HEIGHT	WEIGHT
STATIONARY WITH MOUNTING BASE (1)		
FW0100-DC	9	590 lbs.
FW0100-D	11	595 lbs.
STATIONARY WITH MOUNTING BASE (2)		
FW0165-0091-1	11	650 lbs.

- (1) For **3.5" Kingpin Lock**, replace D (7th digit) in part number with O. For **Air Release**, add U to end of part number. Add 10 lbs. to weight.
- (2) For **3.5" Kingpin Lock**, on **FW0165**, drop -1 at end of part number.

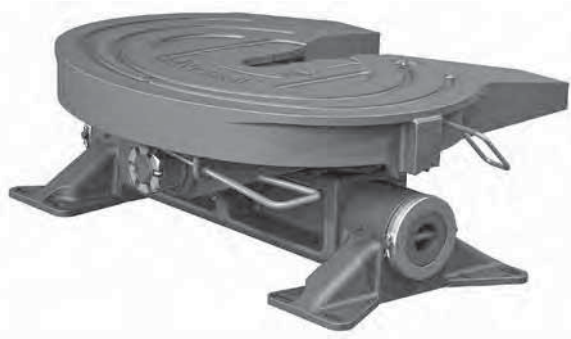
Dimensions



Rebuild and Replacement Kits

DESCRIPTION	KINGPIN LOCK	PART NUMBER
Rebuild-Standard	2"	RK-65012-1
Rebuild-Standard	3.5"	RK-65013-1
Lock Replacement Kit	2"	RK-65024
Lock Replacement Kit	3.5"	RK-65024-1
Secondary Lock Kit Replacement Kit		RK-65025
Release Handle Replacement Kit		XA-1117-13

FW2080



Capacity

70,000 lbs. Maximum Vertical Load
200,000 lbs. Maximum Drawbar Pull

Applications

Moderate and Severe Duty

Features

- Fully Oscillating
- Cast Steel Construction
- Forged, Machined, Heat-Treated Steel Lock Jaw
- Easy Infinite Lock Adjustment
- Manual Secondary Lock
- Cast-In Grease Grooves

Warranty

- 5 Year/500,000 Mile Materials and Workmanship

Options Available

- 3.5" Kingpin Lock
- Oscillator Lockouts

Top Plate Part Numbers

DESCRIPTION	PART NUMBER	KINGPIN LOCK	WEIGHT
Left Hand Release	XA-2081-DAS	2"	420 lbs.
Left Hand Release	XA-2081-OAS	3.5"	420 lbs.
For option, insert the following code before the "S" at the end of the part number: Example: XA-2081-DAUS.			
Air Release			Code U

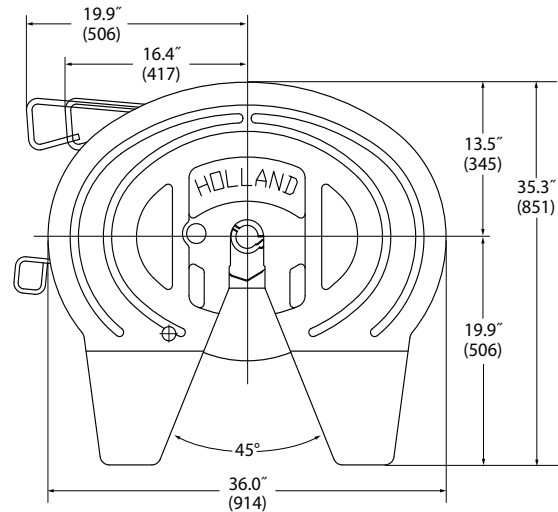
Mounting Systems Available

NOTE: Height data is given in INCHES

FIFTH WHEEL ASSEMBLY MODEL NUMBER	HEIGHT	WEIGHT
STATIONARY WITH MOUNTING BASE (1)		
FW2080-D	14	860 lbs.

- (1) For **3.5" Kingpin Lock** Option, replace D at the end of the part number with O.
For **Air Release**, add U to end of part number. Add 3 lbs. to weight.
For **Oscillator Lockout** Option, replace D at the end of the part number with 0778-1 (2" Kingpin Lock) or 0778 (3.5" Kingpin Lock). Add 10 lbs. to weight.

Dimensions



Rebuild and Replacement Kits

DESCRIPTION	KINGPIN LOCK	PART NUMBER
Rebuild-Standard	2"	RK-65012
Rebuild-Standard	3.5"	RK-65013
Rebuild w/Air Release	2"	RK-65012-2
Rebuild w/Air Release	3.5"	RK-10844
Lock Replacement Kit	2"	RK-65024
Lock Replacement Kit	3.5"	RK-65024-1
Secondary Lock Replacement Kit		RK-65025
Release Handle Replacement Kit		XA-1117-13



SAF-HOLLAND Group

FW35-03344



Capacity

70,000 lbs. Maximum Vertical Load

Applications

Standard Duty

Features

- Cast Steel Construction
- Forged, Machined, Heat-Treated Steel Lock Jaw
- Hardened Steel Pocket Inserts
- Air Release
- Manual Secondary Lock
- Cast-In Grease Grooves

Warranty

- 180 Day Materials and Workmanship

Options Available

- Drilled and Tapped for Auto Lube
- ELI – Electronic Lock Indicator
- Various Air Cylinder Fittings

Top Plate Part Numbers

DESCRIPTION	WEIGHT
XA-351-03505S	252 lbs.
For options, replace the "S" at the end of the part number with one of the following codes: Example: XA-351-03505-2S	
Drilled and Tapped for Auto Lube	Code 2S
ELI-Electronic Lock Indicator	Code 5ELS

For additional air fitting options or multiple option combinations, please contact Customer Service for the applicable Option Code.

Top Plate Models – Terminal Tractor

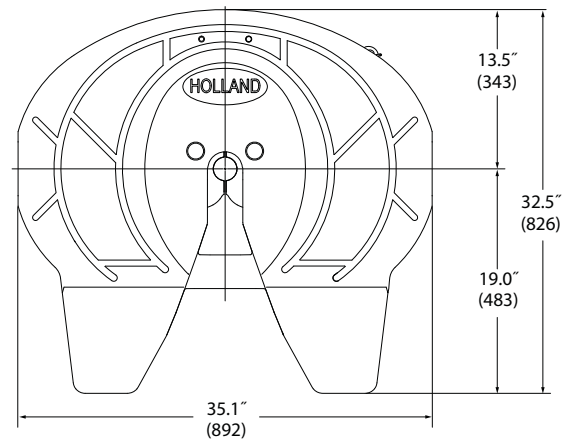
Mounting Systems Available

NOTE: Height data is given in INCHES

FIFTH WHEEL ASSEMBLY MODEL NUMBER	HEIGHT	WEIGHT
STATIONARY BRACKETS (1)		
FW35-03344	8	293 lbs.
FW35-03344-1	10	298 lbs.

- (1) For **Drilled and Tapped for Auto Lube Option**, add -2 at end of part number (8" Height) or replace -1 at end of part number (10" Height) with -3.
 For **ELI™-Electronic Lock Indicator Option**, add 0W to end of part number.
 For multiple option combinations, please contact Customer Service for the applicable Option Code.

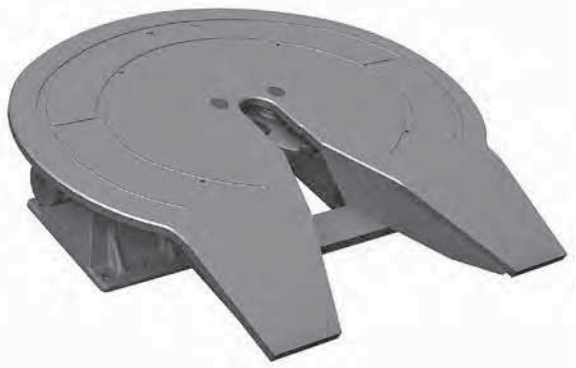
Dimensions



Rebuild and Replacement Kits

DESCRIPTION	PART NUMBER
Rebuild	RK-351-03505
Lock Replacement Kit	RK-351-08332-1

FW2870



Capacity

100,000 lbs. Maximum Vertical Load

Applications

Moderate and Severe Duty

Features

- Fabricated Steel Construction
- Forged, Machined, Heat-Treated Steel Lock Jaw
- Air Release
- Manual Secondary Lock
- Machined Grease Grooves

Warranty

- 180 Day Materials and Workmanship

Options Available

- Drilled and Tapped for Auto Lube
- Various Air Cylinder Fittings

Top Plate Part Numbers

DESCRIPTION	WEIGHT
XA-2801-03185-1S	305 lbs.
For option, replace the "1S" at the end of the part number: Example: XA-2801-03185-2S.	
Drilled and Tapped for Auto Lube	Code 2S

For additional air fitting options or multiple option combinations, please contact Customer Service for the applicable Option Code.

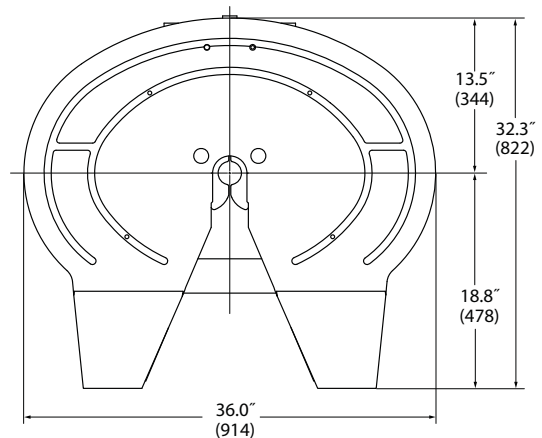
Mounting Systems Available

NOTE: Height data is given in INCHES

FIFTH WHEEL ASSEMBLY MODEL NUMBER	HEIGHT	WEIGHT
STATIONARY BRACKETS (1)		
FW2870-03184	8	390 lbs.

- (1) For **Drilled and Tapped for Auto Lube Option**, add-2 at end of part number.
For additional air fitting options or multiple option combinations, please contact Customer Service for the applicable Option Code.

Dimensions



Rebuild and Replacement Kits

DESCRIPTION	PART NUMBER
Rebuild	RK-03185-1
Lock Replacement Kit	RK-63504



SAF-HOLLAND Group

Top Plate Models – Terminal Tractor / Elevating

FW2800/2900



Capacity

50,000 lbs. Maximum Vertical Lift (Single Cylinder)
100,000 lbs. Maximum Vertical Lift (Twin Cylinder)

Applications

Standard, Moderate, and Severe Duty

Features

Top Plate

- Fabricated Steel Top Construction
- Forged, Machined, Heat-Treated Steel Lock Jaw
- Air Release
- Manual Secondary Lock
- Machined Grease Grooves

Hydraulic Lift Mechanism

- 8" I.D. Double Action Hydraulic Cylinders
- P.T.O. Ratio of 1:1 recommended for all units;
100% of Engine RPM
- 17 GPM (at 1300 rpm) Pump-Single Cylinder
- 20 GPM (at 1300 rpm) Pump-Twin Cylinder
- 1800 PSI Maximum

Warranty

- 180 Day Materials and Workmanship

Options Available

- Lock Down, Single Cylinder
(For frequent over-the-road usage on public streets or highways.)

Top Plate Part Numbers

DESCRIPTION	WEIGHT
XA-2801-AX-1S	300 lbs.

Mounting Systems Available

NOTE: Height data is given in INCHES

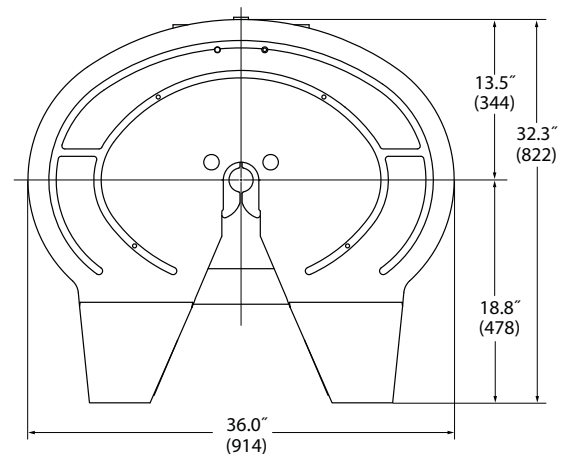
FIFTH WHEEL ASSEMBLY MODEL NUMBER	HEIGHT	WEIGHT
SINGLE CYLINDER (1)		
FW2900-X	10-24	1524 lbs.
FW2800-X	10-29	1662 lbs.
TWIN CYLINDER		
FW2900-5X	11-26	1920 lbs.
FW2800-5X	12-30	2105 lbs.

(1) For **Lock Down Option**, add -87 to the end of the part number. Add 56 lbs. to weight.

Hydraulic Lift Accessories Available

- Gear Pump and Hydraulic Control Valve (Single Cylinder) – **RK-2800-11G**
- Hydraulic Gear Pump, Control Valve and Flange Kit (Twin Cylinder) – **RK-2800-41-G**
- Hose and Fittings (Single Cylinder) – **RK-2800-20-G**
- Hose and Fittings (Twin Cylinder) – **RK-2800-30-G**
- Air Operated Lift Control (Single and Twin Cylinder) – **RK-2800-50**

Dimensions



Rebuild and Replacement Kits

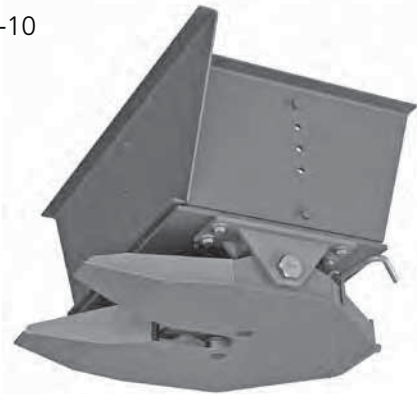
DESCRIPTION	PART NUMBER
Rebuild	RK-65021-2
Lock Replacement Kit	RK-63504

FW6000

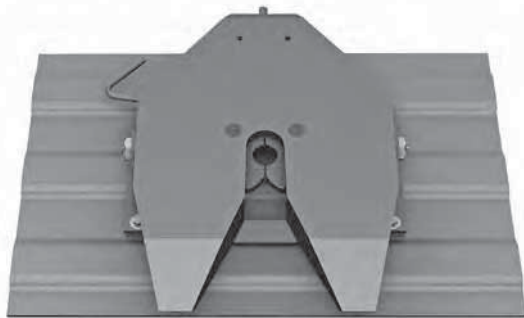
FW-6000



FW-6000-10



FW-6000-20



Capacity

12,000 lbs. Maximum Vertical Load
32,000 lbs. Maximum Gross Trailer Weight

Applications

Light Commercial

Warranty

- 2 Year Materials and Workmanship

Top Plate Part Number

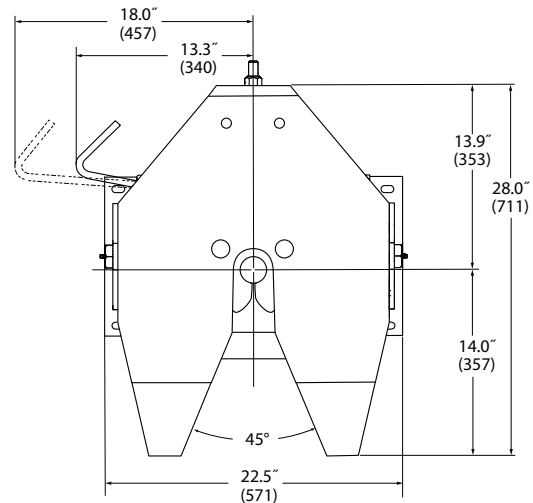
DESCRIPTION	WEIGHT
XA-6001-AS	90 lbs.

Mounting Systems Available

NOTE: Height data is given in INCHES

FIFTH WHEEL ASSEMBLY MODEL NUMBER	HEIGHT	WEIGHT
FOOT MOUNT		
FW6000	5	119 lbs.
WITH ADJUSTABLE MOUNTING BOX		
FW6000-10	Adjustable	255 lbs.
WITH MOUNTING PLATE		
FW6000-20	6	222 lbs.

Dimensions



Rebuild and Replacement Kits

DESCRIPTION	PART NUMBER
Rebuild	RK-63512
Release Handle Replacement Kit	RK-6003

Kingpin Accessories



KP-6500

2" Kingpin, Box Mounted for Welding to Trailer Frame
6" Height Adjustment in 2" increments from 13.62" to 19.62"

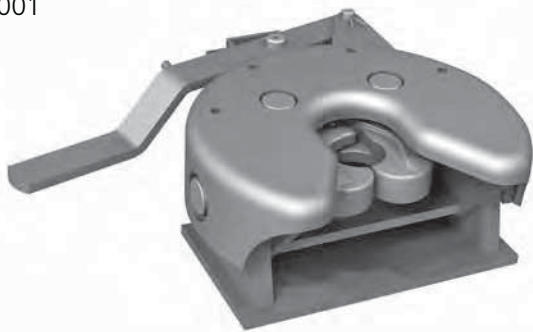


SAF-HOLLAND Group

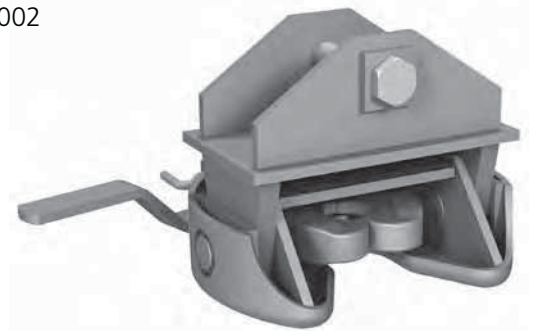
Top Plate Models – Light Commercial

FW0001/FW0002

FW0001



FW0002



Capacity

8,000 lbs. Maximum Vertical Load
32,000 lbs. Maximum Gross Trailer Weight

Applications

Light Commercial

Features

- Safety Lock Handle
- Ductile Iron Locking Block
- Ductile Iron Cast Split Locks

Warranty

- 2 Year Materials and Workmanship

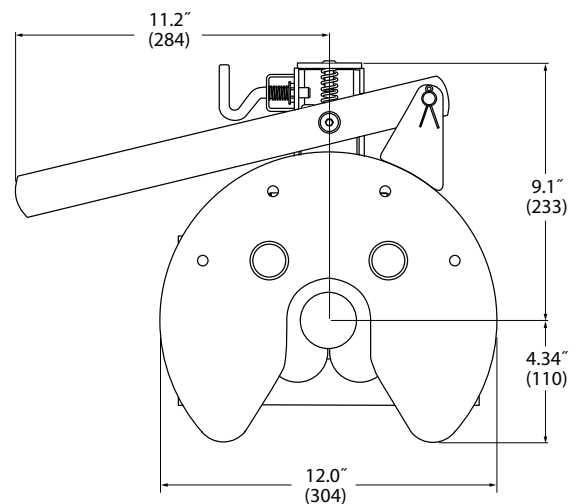
Top Plate Part Number

DESCRIPTION	WEIGHT
FW0005-10	43 lbs.

Mounting Systems Available

FIFTH WHEEL ASSEMBLY MODEL NUMBER	GOOSENECK TUBE SIZE	WEIGHT
TUBE TYPE GOOSENECK AND BOX TYPE GOOSENECK INSTALLATIONS		
FW0001	NA	60 lbs.
DOUBLE AXIS TUBE TYPE GOOSENECK AND BOX TYPE GOOSENECK INSTALLATIONS		
FW0002-35	3.5"	68 lbs.
FW0002-40	4.0"	68 lbs.
FW0002-45	4.5"	68 lbs.

Dimensions



Rebuild and Replacement Kit

DESCRIPTION	PART NUMBER
Lock Jaw Replacement Kit	BFW0174

Kingpin Accessories



KP-0030

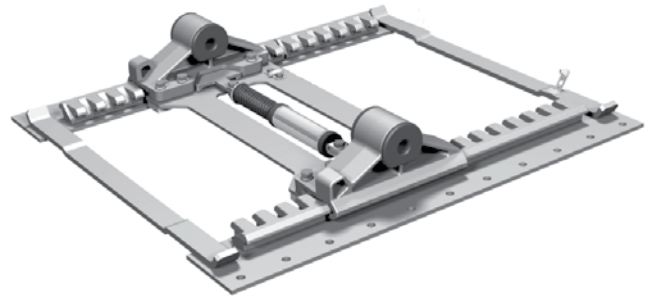
Bed mounted, retractable kingpin.



SAF-HOLLAND Group

THIS PAGE INTENTIONALLY LEFT BLANK

FIFTH WHEEL MOUNTING SYSTEMS

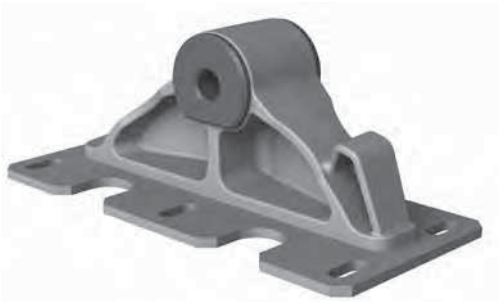


CONTENTS:

STATIONARY, SLIDING, NO-TILT, AND Kompensator[®] MOUNTS

- APPLICATIONS
- FEATURES
- MOUNTING SYSTEM DIMENSIONS
- FIFTH WHEEL ASSEMBLY PART NUMBERS
- FIFTH WHEEL ASSEMBLY WEIGHTS

Foot Mount



Applications

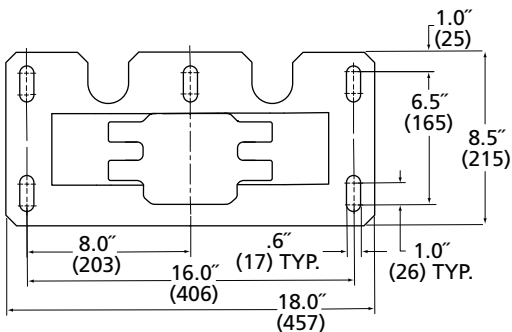
Bolt-On Corrugated or Flat Plate Mount Applications*
Fifth Wheels: FW17, FW31, FW35, FWAL

* A flat or corrugated mounting plate is required for foot mount brackets. Refer to Fifth Wheel Installation Manual (XL-FW10008IM) for mounting plate specifications.

Features

- 3/8" Bracket Base designed for more clearance and ease of installation when using corrugated mounting plates.
- Cast Steel Construction
- Integral Tilt Stops
- Two-Piece Side Cushioning "Up Shock" Bushings

Dimensions



Part Numbers

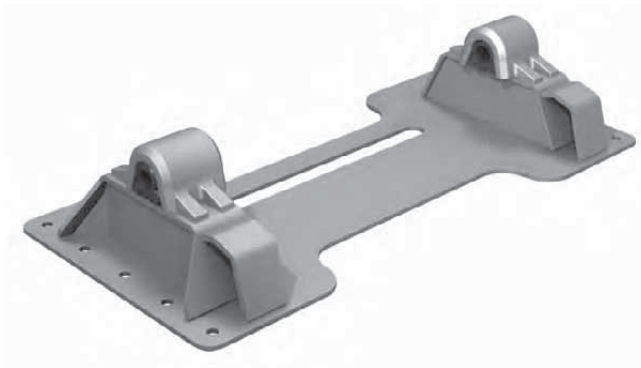
FIFTH WHEEL ASSEMBLY MODEL NUMBER (1) (2) (3)	HEIGHT	WEIGHT (4)
FW__Y600XL00	6"	227 lbs.
FW__Y700XL00	7"	233 lbs.
FW__Y800XL00	8"	238 lbs.
FW__Y900XL00	9"	243 lbs.

- (1) __ = One of the following two digit top plate model numbers: 17, 31, 35, AL
- (2) For Right Hand (curb-side) Release Handle, replace L (10th digit) in part number with R. Right hand release available on FW31 and FW35.
- (3) For options, replace the 00 at the end of the part number with the appropriate two digit code. For multiple option combinations, please contact Customer Service for the applicable Option Code.
 - **Air Release** – Available on FW17, FW31, FW35 and FWAL – **Option Code-80**
 - **ELI (Electronic Lock Indicator)** – Available on FW31 and FW35 – **Option Code-EL**
 - **Manual Secondary Lock** – Available on FW31 and FW35 – **Option Code-02**
 - **Drilled and Tapped for Auto Lube** – Available on FW17 and FW35 – **Option Code-24**
 - **Left Hand Dolly Release Handle** – Available on FW35 – **Option Code-28**
 - **Corrugated Mounting Plate** – Available on FW31 and FW35 – **Option Code-01**
- (4) Weights shown are for FWAL (add 6 lbs. for air release). Add the following based on top plate model:

FIFTH WHEEL MODEL	MANUAL RELEASE	AIR RELEASE
FW17	45 lbs.	51 lbs.
FW31	94 lbs.	98 lbs.
FW35	69 lbs.	73 lbs.

Add 115 lbs. for Corrugated Mounting Plate Option.

Integrated Plate Mount



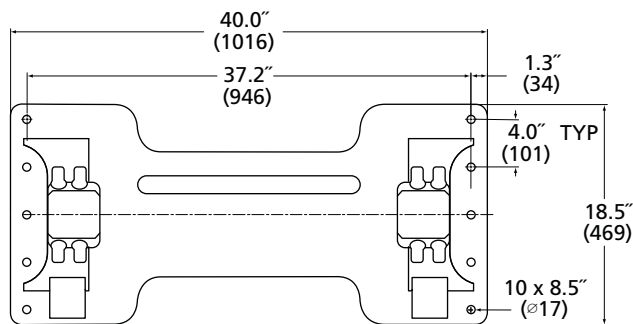
Applications

Bolt-On Outboard Angle Applications
 Fifth Wheels: FW17, FW16, FW31, FW33, FW35, FWAL

Features

- Lightweight 5/16" Plate Base
- Fabricated Steel Construction
- Forged Steel Cap
- Nylon Lined "Up-Shock" Bushing

Dimensions



Part Numbers

FIFTH WHEEL ASSEMBLY MODEL NUMBER (1) (2) (3)	HEIGHT	WEIGHT (4)
FW__Z600XL00	6"	243 lbs.
FW__Z700XL00	7"	251 lbs.
FW__Z800XL00	8"	258 lbs.
FW__Z900XL00	9"	254 lbs.

- (1) __ = One of the following two digit top plate model numbers: 17, 16, 31, 33, 35, AL.
- (2) For Right Hand (curb-side) Release Handle, replace L (10th digit) in part number with R. Right hand release available on FW16, FW31, FW33 and FW35.
- (3) For options, replace the 00 at the end of the part number with the appropriate two digit code. For multiple option combinations, please contact Customer Service for the applicable Option Code.
 - **Air Release** – Available on FW16, FW17, FW31, FW33, FW35 and FWAL – **Option Code-80**
 - **ELI (Electronic Lock Indicator)** – Available on FW31, FW33 and FW35 – **Option Code-EL**
 - **Manual Secondary Lock** – Available on FW31, FW33 and FW35 – **Option Code-02**
 - **Drilled and Tapped for Auto Lube** – Available on FW17 and FW35 – **Option Code-24**
 - **Left Hand Dolly Release Handle** – Available on FW33 and FW35 – **Option Code-28**
- (4) Weights shown are for FWAL (add 6 lbs. for air release). Add the following based on top plate model:

FIFTH WHEEL MODEL	MANUAL RELEASE	AIR RELEASE
FW17	45 lbs.	51 lbs.
FW16	41 lbs.	47 lbs.
FW31	94 lbs.	98 lbs.
FW33	94 lbs.	98 lbs.
FW35	69 lbs.	73 lbs.

Bracket for Angle Mounting



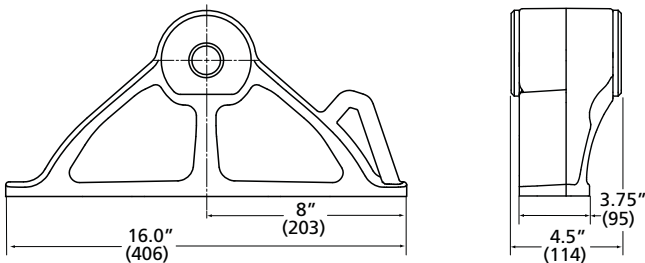
Applications

Welded Over-the-Frame Angle Applications
Fifth Wheels: FW17, FW16, FW31, FW35, FWAL

Features

- Cast Steel Construction
- Integral Tilt Stop
- Two-Piece Side Cushioning "Up Shock" Bushings

Dimensions



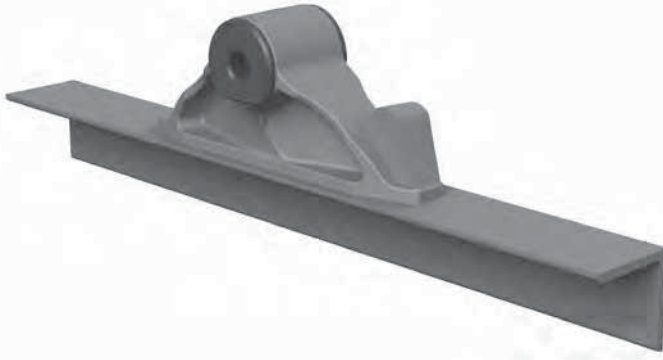
Part Numbers

FIFTH WHEEL ASSEMBLY MODEL NUMBER (1) (2) (3)	HEIGHT	WEIGHT (4)
FW__X600XL00	6"	198 lbs.
FW__X700XL00	7"	204 lbs.
FW__X800XL00	8"	209 lbs.
FW__X900XL00	9"	214 lbs.

- (1) __ = One of the following two digit top plate model numbers: 17, 16, 31, 35, AL
- (2) For Right Hand (curb-side) Release Handle, replace L (10th digit) in part number with R. Right hand release available on FW16, FW31 and FW35.
- (3) For options, replace the 00 at the end of the part number with the appropriate two digit code. For multiple option combinations, please contact Customer Service for the applicable Option Code.
 - **Air Release** – Available on FW16, FW17, FW31, FW35, and FWAL – **Option Code-80**
 - **ELI (Electronic Lock Indicator)** – Available on FW31 and FW35 – **Option Code-EL**
 - **Manual Secondary Lock** – Available on FW31 and FW35 – **Option Code-02**
 - **Drilled and Tapped for Auto Lube** – Available on FW17 and FW35 – **Option Code-24**
 - **Left Hand Dolly Release Handle** – Available on FW35 – **Option Code-28**
- (4) Weights shown are for FWAL (add 6 lbs. for air release). Add the following based on top plate model:

FIFTH WHEEL MODEL	MANUAL RELEASE	AIR RELEASE
FW17	45 lbs.	51 lbs.
FW16	41 lbs.	47 lbs.
FW31	94 lbs.	98 lbs.
FW35	69 lbs.	73 lbs.

Bracket with Angle Mount



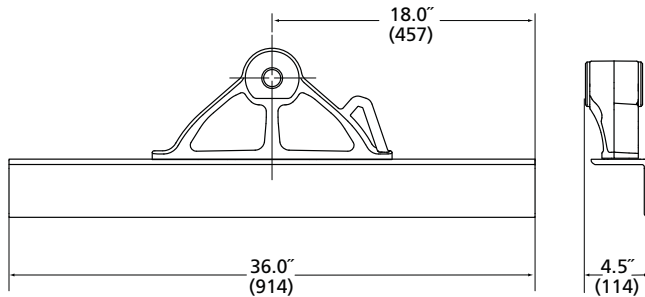
Applications

Over-the-Frame Angle Applications
 Fifth Wheels: FW17, FW16, FW31, FW35, FWAL

Features

- Cast Steel Construction
- Integral Tilt Stop
- Two-Piece Side Cushioning "Up Shock" Bushings
- 4" x 4" x .38" x 36" Length Mounting Angle Standard

Dimensions



Part Numbers

FIFTH WHEEL ASSEMBLY MODEL NUMBER (1) (2) (3)	HEIGHT	WEIGHT (5)
FW__W600GL00	6"	256 lbs.
FW__W700GL00	7"	262 lbs.
FW__W800GL00	8"	267 lbs.
FW__W900GL00	9"	272 lbs.

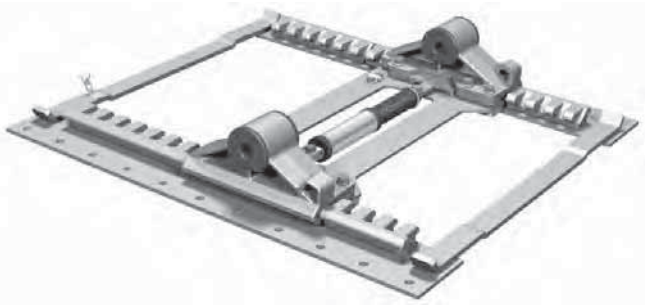
- (1) __ = One of the following two digit top plate model numbers: 17, 16, 31, 35, AL(2)
 For Right Hand (curb-side) Release Handle, replace L (10th digit) in part number with R. Right hand release available on FW16, FW31 and FW35.
- (3) For Frame Width, replace G (34.00" Frame Width) (9th digit) in part number with appropriate code from table below.

FRAME WIDTH	CODE	FRAME WIDTH	CODE	FRAME WIDTH	CODE
33.25"	A	33.75"	E	34.25"	J
33.38"	B	33.88"	F	34.38"	K
33.50"	C	34.00"	G	34.50"	L
33.62"	D	34.12"	H		

- (4) For options, replace the 00 at the end of the part number with the appropriate two digit code. For multiple option combinations, please contact Customer Service for the applicable Option Code.
- **Air Release** – Available on FW16, FW17, FW31, FW35, and FWAL – **Option Code-80**
 - **ELI (Electronic Lock Indicator)** – Available on FW31 and FW35 – **Option Code-EL**
 - **Manual Secondary Lock** – Available on FW31 and FW35 – **Option Code-02**
 - **Drilled and Tapped for Auto Lube** – Available on FW17 and FW35 – **Option Code-24**
 - **Left Hand Dolly Release Handle** – Available on FW35 – **Option Code-28**
- (5) Weights shown are for FWAL (add 6 lbs. for air release). Add the following based on top plate model:

FIFTH WHEEL MODEL	MANUAL RELEASE	AIR RELEASE
FW17	45 lbs.	51 lbs.
FW16	41 lbs.	47 lbs.
FW31	94 lbs.	98 lbs.
FW35	69 lbs.	73 lbs.

ILS™ Outboard Mount



Applications

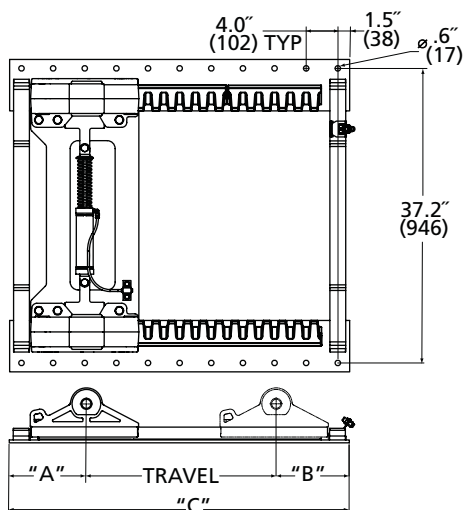
Bolt-on Outboard Angle Applications

Fifth Wheels: FW17, FW16, FW31, FW33, FW35, FWAL

Features

- Low Weight
- Single-Piece, Bolt-On Cast Bracket
- Two-Piece Side Cushioning "Upshock" Bushings
- Slide-On (No Weld), Repositionable Bulk Head Fitting Bracket
- Same Air Cylinder Location on All Heights, including "Quick-Connect" Fittings
- 2" Slide Increments
- Universal "Tie Plate"

Dimensions



PART NUMBER	TRAVEL	A	B	C	TOTAL HOLES
12X	12"	9.75"	9.25"	31"	16
24X	24"	9.75"	9.25"	43"	22
36X	36"	9.75"	9.25"	55"	28
48X	48"	9.75"	9.25"	67"	34

Part Numbers

FIFTH WHEEL ASSEMBLY MODEL NUMBER (1) (2) (3)	HEIGHT	TRAVEL	WEIGHT (4)
FW__A712XL00	7"	12"	345 lbs.
FW__A724XL00	7"	24"	378 lbs.
FW__A736XL00	7"	36"	412 lbs.
FW__A748XL00	7"	48"	445 lbs.
FW__A812XL00	8"	12"	349 lbs.
FW__A824XL00	8"	24"	383 lbs.
FW__A836XL00	8"	36"	417 lbs.
FW__A848XL00	8"	48"	450 lbs.
FW__A912XL00	9"	12"	353 lbs.
FW__A924XL00	9"	24"	387 lbs.
FW__A936XL00	9"	36"	420 lbs.
FW__A948XL00	9"	48"	454 lbs.

- (1) __ = One of the following two digit top plate model numbers: 17, 16, 31, 33, 35, AL
- (2) For Right Hand (curb-side) Release Handle, replace L (10th digit) in part number with R. Right hand release available on FW16, FW31, FW33 and FW35.
- (3) For options, replace the 00 at the end of the part number with the appropriate two digit code. For multiple option combinations, please contact Customer Service for the applicable Option Code.
 - **Air Release** – Available on FW16, FW17, FW31, FW33, FW35, and FWAL – **Option Code-80**
 - **ELI (Electronic Lock Indicator)** – Available on FW31, FW33 and FW35 – **Option Code-EL**
 - **Manual Secondary Lock** – Available on FW31, FW33 and FW35 – **Option Code-02**
 - **Drilled and Tapped for Auto Lube** – Available on FW17 and FW35 – **Option Code-24**
 - **Left Hand Dolly Release Handle** – Available on FW33 and FW35 – **Option Code-28**
- (4) Weights shown are for FWAL (add 6 lbs. for air release). Add the following based on top plate model:

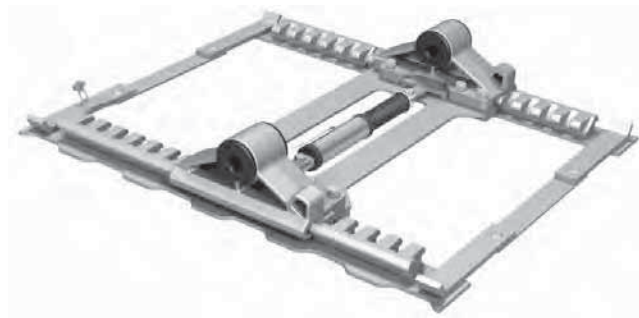
FIFTH WHEEL MODEL	MANUAL RELEASE	AIR RELEASE
FW17	45 lbs.	51 lbs.
FW16	41 lbs.	47 lbs.
FW31	94 lbs.	98 lbs.
FW33	94 lbs.	98 lbs.
FW35	69 lbs.	73 lbs.



SAF-HOLLAND Group

Mounting Systems – Sliding Mounts

ILS™ Inboard Mount (Over-the-Frame)



Applications

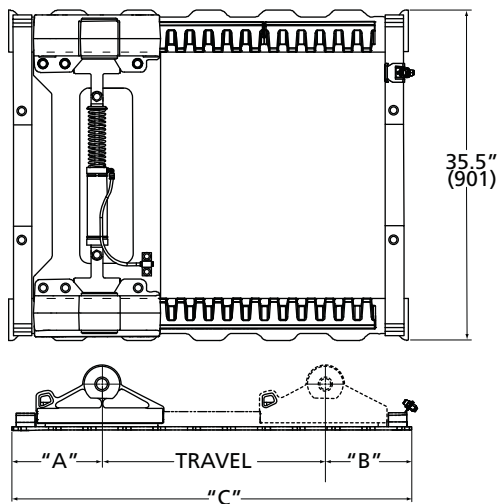
Over-the-Frame Mount Applications

Fifth Wheels: FW17, FW16, FW31, FW33, FW35, FWAL

Features

- Low Weight
- Single-Piece, Bolt-On Cast Bracket
- Two-Piece Side Cushioning "Upshock" Bushings
- Slide-On (No Weld), Repositionable Bulk Head Fitting Bracket
- Same Air Cylinder Location on All Heights, including "Quick-Connect" Fittings
- 2" Slide Increments
- Universal "Tie Plate"

Dimensions



PART NUMBER	TRAVEL	A	B	C
12X	12"	9.75"	9.25"	31"
24X	24"	9.75"	9.25"	43"
36X	36"	9.75"	9.25"	55"
48X	48"	9.75"	9.25"	67"

Part Numbers

FIFTH WHEEL ASSEMBLY MODEL NUMBER (1) (2) (3)	HEIGHT	TRAVEL	WEIGHT (4)
FW__B712XL00	7"	12"	330 lbs.
FW__B724XL00	7"	24"	358 lbs.
FW__B736XL00	7"	36"	386 lbs.
FW__B748XL00	7"	48"	414 lbs.
FW__B812XL00	8"	12"	335 lbs.
FW__B824XL00	8"	24"	363 lbs.
FW__B836XL00	8"	36"	391 lbs.
FW__B848XL00	8"	48"	419 lbs.
FW__B912XL00	9"	12"	339 lbs.
FW__B924XL00	9"	24"	367 lbs.
FW__B936XL00	9"	36"	395 lbs.
FW__B948XL00	9"	48"	423 lbs.

- (1) __ = One of the following two digit top plate model numbers: 17, 16, 31, 33, 35, AL
- (2) For Right Hand (curb-side) Release Handle, replace L (10th digit) in part number with R. Right hand release available on FW16, FW31, FW33 and FW35.
- (3) For options, replace the 00 at the end of the part number with the appropriate two digit code. For multiple option combinations, please contact Customer Service for the applicable Option Code.
 - **Air Release** – Available on FW16, FW17, FW31, FW35, and FWAL – **Option Code-80**
 - **ELI (Electronic Lock Indicator)** – Available on FW31, FW33 and FW35 – **Option Code-EL**
 - **Manual Secondary Lock** – Available on FW31, FW33 and FW35 – **Option Code-02**
 - **Drilled and Tapped for Auto Lube** – Available on FW17 and FW35 – **Option Code-24**
 - **Left Hand Dolly Release Handle** – Available on FW33 and FW35 – **Option Code-28**
- (4) Weights shown are for FWAL (add 6 lbs. for air release). Add the following based on top plate model:

FIFTH WHEEL MODEL	MANUAL RELEASE	AIR RELEASE
FW17	45 lbs.	51 lbs.
FW16	41 lbs.	47 lbs.
FW31	94 lbs.	98 lbs.
FW33	94 lbs.	98 lbs.
FW35	69 lbs.	73 lbs.

Foot Mount



Applications

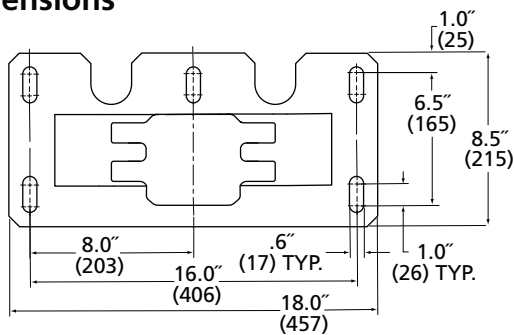
Bolt-On Corrugated or Flat Plate Mount Applications*

* A flat or corrugated mounting plate is required for foot mount brackets.

Features

- 3/8" Bracket Base designed for more clearance and ease of installation when using corrugated mounting plates.

Dimensions



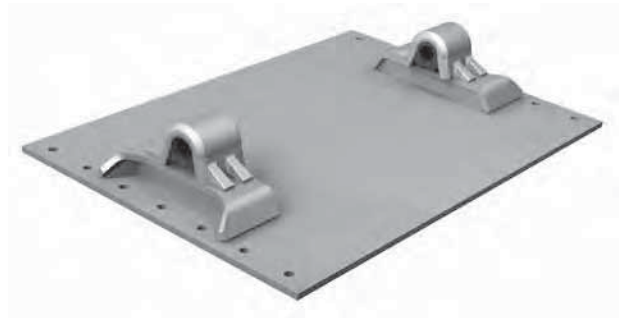
Part Numbers

FIFTH WHEEL ASSEMBLY MODEL NUMBER (1)	HEIGHT	WEIGHT
FW0070-7603XL	7"	412 lbs.
FW0070-7602XL	8"	419 lbs.
FW0070-7601XL	9"	421 lbs.

(1) For options, add the following to the end of the part number. For multiple option combinations, please contact Customer Service for the applicable Option Code.

- **3.5" Kingpin Lock – Option Code-03**
- **Corrugated Mounting Plate – Option Code-01**
(Add 115 lbs. to the weight)

Integrated Plate Mount



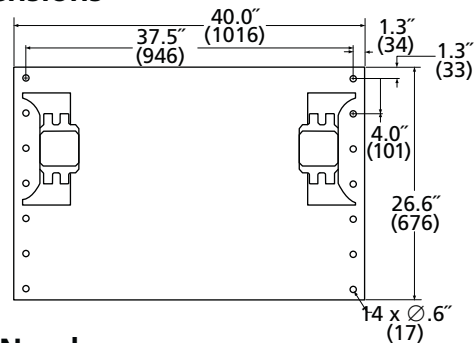
Applications

Bolt-On Outboard Angle Applications

Features

- 1/2" Base Plate

Dimensions



Part Numbers

FIFTH WHEEL ASSEMBLY MODEL NUMBER (1)	HEIGHT	WEIGHT
FW0070-7685XL	7"	533 lbs.
FW0070-7684XL	8"	539 lbs.
FW0070-7683XL	9"	542 lbs.

(1) For options, add the following to the end of the part number. For multiple option combinations, please contact Customer Service for the applicable Option Code.

- **3.5" Kingpin Lock – Option Code-03**

Bracket for Angle Mounting



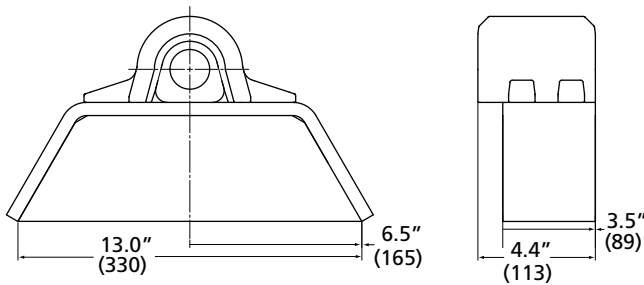
Applications

Welded Over-the-Frame Angle Applications

Features

- Fabricated Steel Construction
- Forged Steel Cap
- Nylon Lined "Up-Shock" Bushing

Dimensions

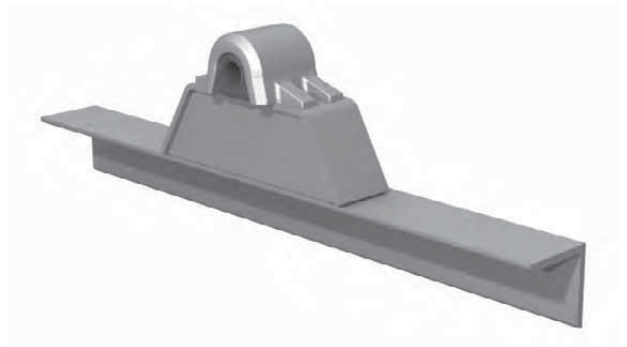


Part Numbers

FIFTH WHEEL ASSEMBLY MODEL NUMBER (1)	HEIGHT	WEIGHT
FW0070-7623XL	7"	373 lbs.
FW0070-7622XL	8"	380 lbs.
FW0070-7621XL	9"	382 lbs.

- (1) For options, add the following to the end of the part number. For multiple option combinations, please contact Customer Service for the applicable Option Code.
- **3.5" Kingpin Lock – Option Code-03**

Bracket with Angle Mount



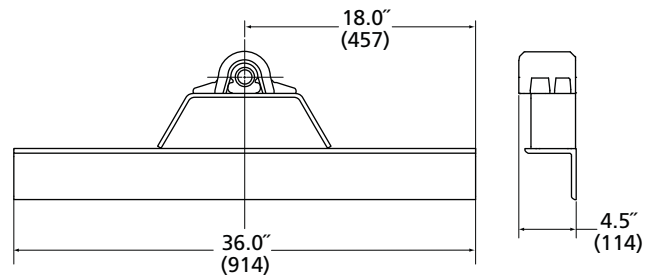
Applications

Over-the-Frame Angle Applications

Features

- 4'x 4'x .38'x 36" Length Mounting Angle Standard

Dimensions



Part Numbers

FIFTH WHEEL ASSEMBLY MODEL NUMBER (1) (2)	HEIGHT	WEIGHT
FW0070-7614GL	6"	441 lbs.
FW0070-7613GL	7"	450 lbs.
FW0070-7612GL	8"	457 lbs.
FW0070-7611GL	9"	459 lbs.

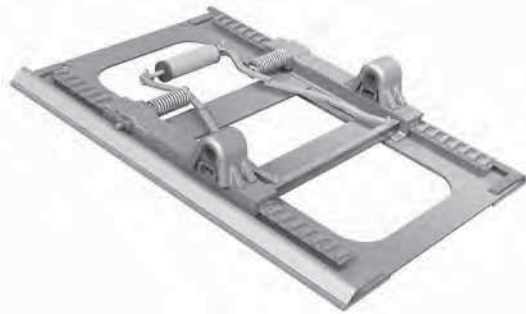
- (1) For options, add the following to the end of the part number. For multiple option combinations, please contact Customer Service for the applicable Option Code.
- **3.5" Kingpin Lock – Option Code-03**

- (2) For the Frame Width, replace "G" (34.00" Frame Width – 11th digit) in part number with the appropriate code from the table below.

FRAME WIDTH	CODE	FRAME WIDTH	CODE	FRAME WIDTH	CODE
33.25"	A	33.75"	E	34.25"	J
33.38"	B	33.88"	F	34.38"	K
33.50"	C	34.00"	G	34.50"	L
33.62"	D	34.12"	H		

Mounting Systems – FW0070 Sliding Mounts

Inboard for Angle Mounting (Over-the-Frame)



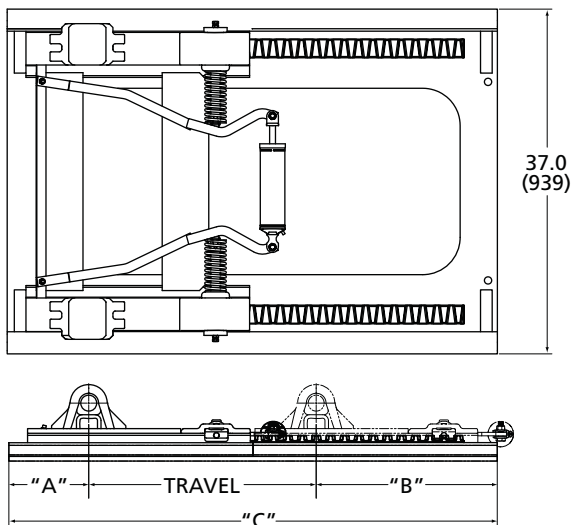
Applications

Over-the-Frame Mount Applications

Features

- Fabricated Steel Construction
- Forged Steel Cap
- Nylon Lined "Up-Shock" Bushings

Dimensions



PART NUMBER	TRAVEL	A	B	C
*X1L	11"	8.6"	19.3"	38.9"
*X2L	17"	8.6"	19.4"	45.0"
*Z3L	25"	8.6"	19.0"	52.6"
*X4L	41"	8.6"	19.9"	69.5"
*X5L	54"	8.6"	19.4"	82.0"
*X6L	66"	8.6"	19.4"	94.0"

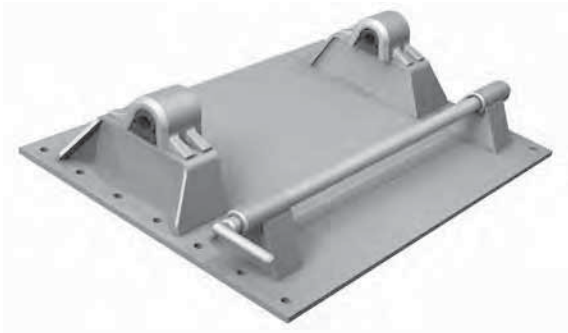
Part Numbers

FIFTH WHEEL ASSEMBLY MODEL NUMBER (1)	HEIGHT	TRAVEL	WEIGHT
FW2570-7103X1L	8"	11"	850 lbs.
FW2570-7103X2L	8"	17"	870 lbs.
FW2570-7103Z3L	8"	25"	890 lbs.
FW2570-7103X4L	8"	41"	930 lbs.
FW2570-7103X5L	8"	54"	970 lbs.
FW2570-7103X6L	8"	66"	1010 lbs.
FW2570-7102X1L	9"	11"	855 lbs.
FW2570-7102X2L	9"	17"	875 lbs.
FW2570-7102Z3L	9"	25"	895 lbs.
FW2570-7102X4L	9"	41"	935 lbs.
FW2570-7102X5L	9"	54"	975 lbs.
FW2570-7102X6L	9"	66"	1015 lbs.

(1) For options, add the following to the end of the part number.

- **3.5" Kingpin Lock – Option Code-03**

Outboard Mount



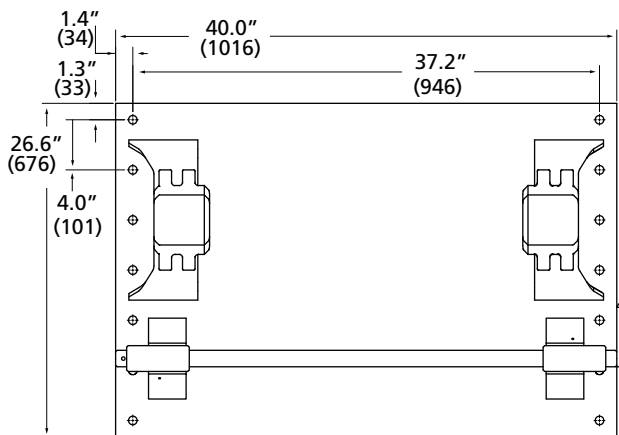
Applications

Bolt-on Outboard Angle Applications
Fifth Wheels: FW33 and FW35

Features

- ½" Mounting Plate
- No-Tilt Brackets
- Fabricated Steel Construction
- Forged Steel Cap
- Nylon Lined "Up-Shock" Bushings

Dimensions



Part Numbers

FIFTH WHEEL ASSEMBLY MODEL NUMBER (1) (2) (3)	HEIGHT	WEIGHT (4)
FW__N800YL00	8"	475 lbs.
FW__N900YL00	9"	477 lbs.

- (1) __ = One of the following two digit top plate model numbers: 33, 35
- (2) For Right Hand (curb-side) Release Handle, replace L in part number with R.
- (3) For options, replace the 00 at the end of the part number with the appropriate two digit code. For multiple option combinations, please contact Customer Service for the applicable Option Code.
 - **Air Release – Option Code-80**
 - **ELI (Electronic Lock Indicator) – Option Code-EL**
 - **Manual Secondary Lock – Option Code-02**
 - **Left Hand Dolly Release Handle – Option Code-28**
- (4) Weights shown are for FW35. Add 25 lbs. for FW33.

Mounting Systems – No-Tilt Stationary Mounts

Inboard For Angle Mounting (Over-the-Frame)



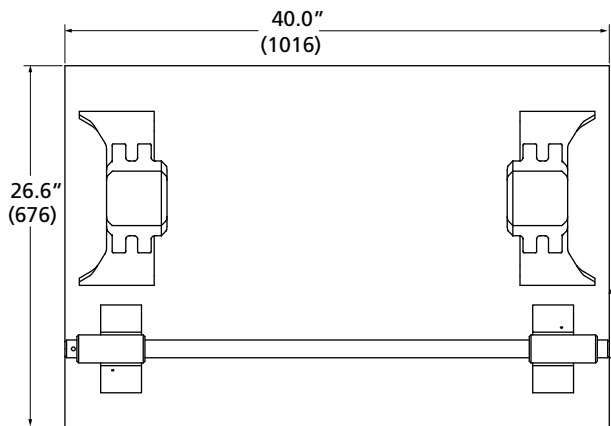
Applications

Over-the-Frame Mount Applications
Fifth Wheels: FW33 and FW35

Features

- 3/8" Mounting Plate
- No-Tilt Brackets
- Fabricated Steel Construction
- Forged Steel Cap
- Nylon Lined "Up-Shock" Bushings

Dimensions



Part Numbers

FIFTH WHEEL ASSEMBLY MODEL NUMBER (1) (2) (3)	HEIGHT	WEIGHT (4)
FW__N800ZL00	8"	454 lbs.

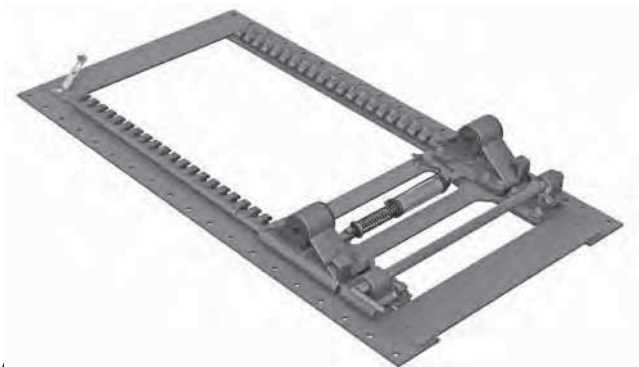
- (1) __ = One of the following two digit top plate model numbers: 33, 35
- (2) For Right Hand (curb-side) Release Handle, replace L in part number with R.
- (3) For options, replace the 00 at the end of the part number with the appropriate two digit code. For multiple option combinations, please contact Customer Service for the applicable Option Code.
 - **Air Release – Option Code-80**
 - **ELI (Electronic Lock Indicator) – Option Code-EL**
 - **Manual Secondary Lock – Option Code-02**
 - **Left Hand Dolly Release Handle – Option Code-28**
- (4) Weights shown are for FW35. Add 25 lbs. for FW33.



SAF-HOLLAND Group

Mounting Systems – No-Tilt Sliding Mounts

ILS™ Outboard Mount

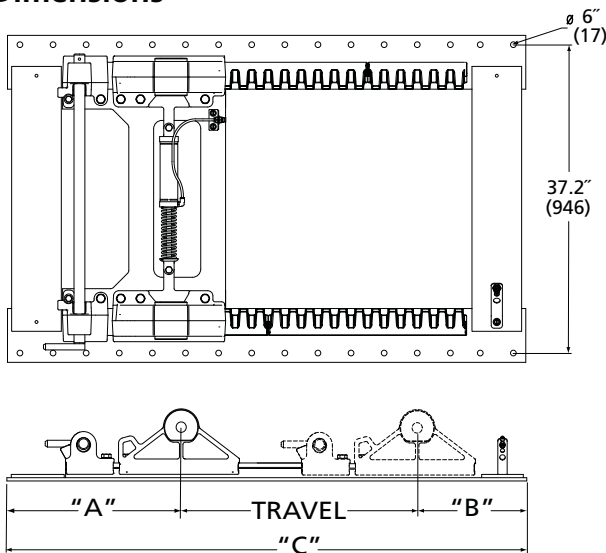


Bolt-On Outboard Angle Applications
Fifth Wheels: FW33 and FW35

Features

- No-Tilt Slider Bracket and Slide Plate
- Single-Piece, Bolt-On Cast Bracket
- Two-Piece Side Cushioning "Upshock" Bushings
- Slide-On (No Weld), Repositionable Bulk Head Fitting Bracket
- Same Air Cylinder Location on All Heights, including "Quick-Connect" Fittings
- 2" Slide Increments
- Universal "Tie Plate"

Dimensions



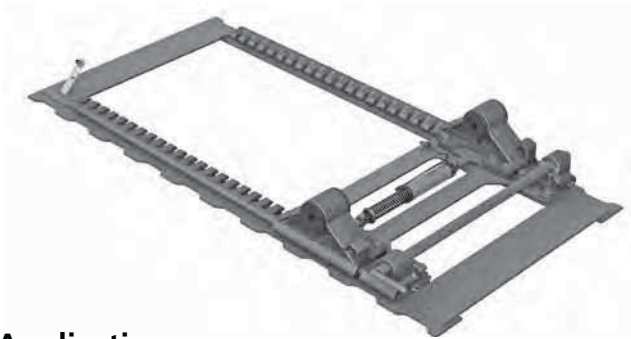
PART NUMBER	TRAVEL	A	B	C
06X	6"	19.8"	9.1"	39.0"
18X	18"	19.8"	9.1"	51.0"
30X	30"	19.8"	9.1"	63.0"
42X	42"	19.8"	9.1"	75.0"

Part Numbers

FIFTH WHEEL ASSEMBLY MODEL NUMBER (1) (2) (3)	HEIGHT	TRAVEL	WEIGHT (4)
FW__N906YL00	9"	6"	526 lbs.
FW__N918YL00	9"	18"	560 lbs.
FW__N930YL00	9"	30"	594 lbs.
FW__N942YL00	9"	42"	627 lbs.

- (1) __ = One of the following two digit top plate model numbers: 33, 35
- (2) For Right Hand (curb-side) Release Handle, replace L in part number with R.
- (3) For options, replace the 00 at the end of the part number with the appropriate two digit code. For multiple option combinations, please contact Customer Service for the applicable Option Code.
 - Air Release – **Option Code-80**
 - ELI (Electronic Lock Indicator – **Option Code-EL**
 - Manual Secondary Lock – **Option Code-02**
 - Left Hand Dolly Release Handle – **Option Code-28**
- (4) Weights shown are for FW35. Add 25 lbs. for FW33.

ILS™ Inboard Mount (Over-the-Frame)



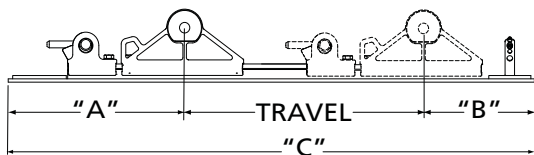
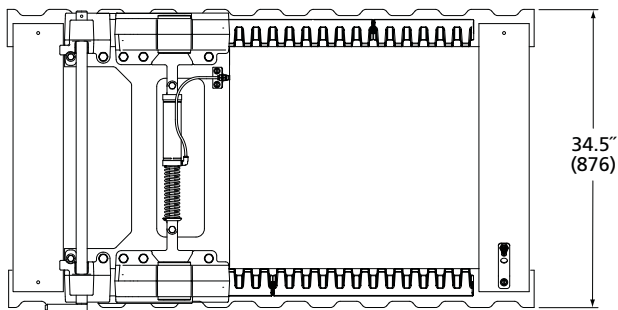
Applications

Over-the-Frame Mount Applications
Fifth Wheels: FW33 and FW35

Features

- No-Tilt Slider Bracket and Slide Plate
- Single-Piece, Bolt-On Cast Bracket
- Two-Piece Side Cushioning "Upshock" Bushings
- Slide-On (No Weld), Repositionable Bulk Head Fitting Bracket
- Same Air Cylinder Location on All Heights, including "Quick-Connect" Fittings
- 2" Slide Increments
- Universal "Tie Plate"

Dimensions



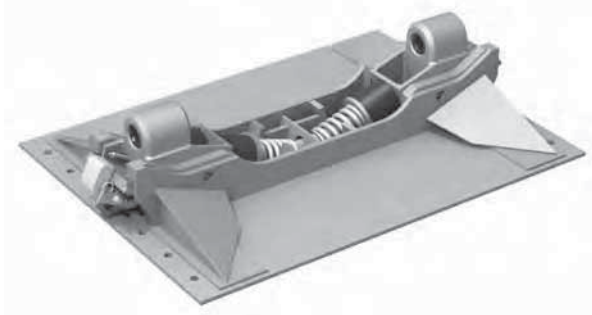
PART NUMBER	TRAVEL	A	B	C
06X	6"	19.8"	9.1"	39.0"
18X	18"	19.8"	9.1"	51.0"
30X	30"	19.8"	9.1"	63.0"
42X	42"	19.8"	9.1"	75.0"

Part Numbers

FIFTH WHEEL ASSEMBLY MODEL NUMBER (1) (2) (3)	HEIGHT	TRAVEL	WEIGHT (4)
FW__N906WL00	9"	6"	506 lbs.
FW__N918WL00	9"	18"	536 lbs.
FW__N930WL00	9"	30"	564 lbs.
FW__N942WL00	9"	42"	592 lbs.

- (1) __ = One of the following two digit top plate model numbers: 33, 35
- (2) For Right Hand (curb-side) Release Handle, replace L in part number with R.
- (3) For options, replace the 00 at the end of the part number with the appropriate two digit code. For multiple option combinations, please contact Customer Service for the applicable Option Code.
 - **Air Release – Option Code-80**
 - **ELI (Electronic Lock Indicator – Option Code-EL**
 - **Manual Secondary Lock – Option Code-02**
 - **Left Hand Dolly Release Handle – Option Code-28**
- (4) Weights shown are for FW35. Add 25 lbs. for FW33.

Outboard Plate Mount



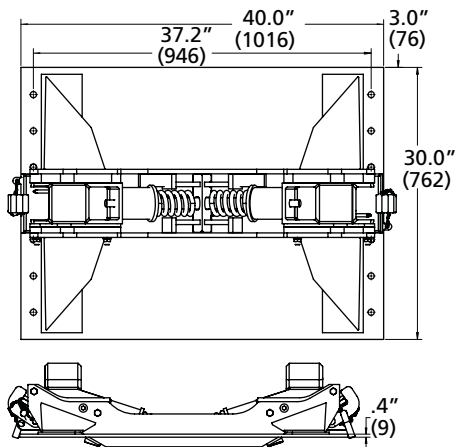
Applications

Bolt-on Outboard Angle Applications
Fifth Wheels: FW35, FW33, FW0070

Features

- Side-to-Side Oscillation
- Cradle Design
- Fabricated Steel Construction
- Optional Lock Out
- 3/8" Mounting Plate - FW35
- 1/2" Mounting Plate - FW7040

Dimensions



Part Numbers

FIFTH WHEEL ASSEMBLY MODEL NUMBER (1) (2)	HEIGHT	WEIGHT
FW35-7729XL	10"	575 lbs.
FW35-7727XL	12"	640 lbs.
FW35-7726XL	13"	649 lbs.

FIFTH WHEEL ASSEMBLY MODEL NUMBER (1) (2)	HEIGHT	WEIGHT
FW33K000YL00	10"	600 lbs.
FW33K200YL00	12"	665 lbs.
FW33K300YL00	13"	674 lbs.

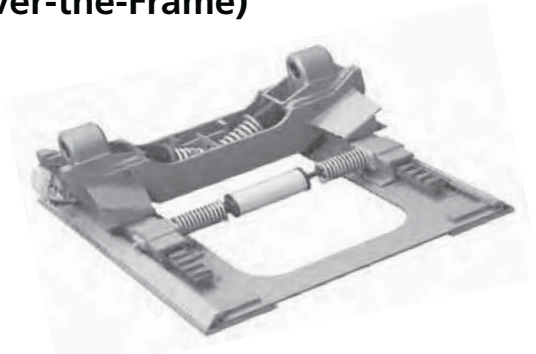
FIFTH WHEEL ASSEMBLY MODEL NUMBER (2)	HEIGHT	WEIGHT
FW7040-7779XL	10"	749 lbs.
FW7040-7777XL	12"	821 lbs.
FW7040-7776XL	13"	836 lbs.

- (1) For Right Hand (curb-side) Release Handle, replace L in part number with R. Right hand release available on FW35 and FW33.
- (2) For options, add the appropriate two digit code to the end of the part number. For multiple option combinations, please contact Customer Service for the applicable Option Code.
 - **Manual Secondary Lock** – Standard on FW7040. Available on FW35 and FW33. *Option Code-02*
 - **Drilled and Tapped for Autolube** – Available on FW35 and FW7040. *Option Code-24*
 - **Kompensator® Lock Out** – *Option Code-19* (Add 5 lbs. to weight)
 - **Kompensator® Dust Covers** – *Option Code-13*
 - **3.5" Kingpin Lock** – Available on FW7040. *Option Code-03*
 - **Undrilled Mounting Plate** – *Option Code-1K (FW33)*. For FW35, refer to chart below.

FIFTH WHEEL ASSEMBLY MODEL NUMBER	HEIGHT
FW35-7723XL	10"
FW35-7722XL	12"
FW35-7721XL	13"

(Subtract 8 lbs. from weight)

Inboard for Angle Mounting (Over-the-Frame)



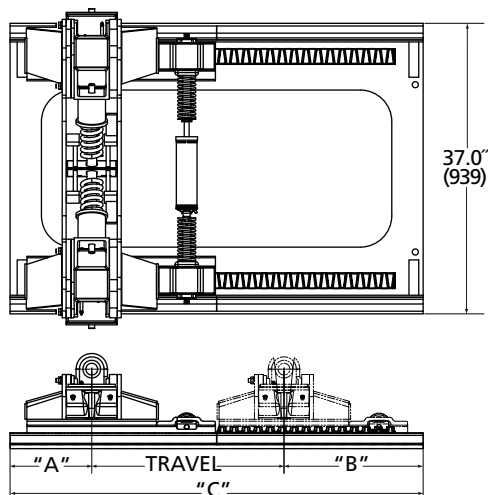
Applications

Over-the-Frame Mount Applications
Fifth Wheels: FW35, FW33, FW0070

Features

- Side-to-Side Oscillation
- Cradle Design
- Fabricated Steel Construction
- Optional Lock Out

Dimensions



PART NUMBER	TRAVEL	A	B	C
*X1L	11"	10.4"	17.5"	38.9"
*X2L	17"	10.4"	17.6"	45.0"
*X3L	25"	10.4"	17.2"	52.6"
*X4L	41"	10.4"	18.1"	69.5"
*X5L	54"	10.4"	17.6"	82.0"
*X6L	66"	10.4"	17.6"	94.0"

Part Numbers

FIFTH WHEEL ASSEMBLY MODEL NUMBER (1) (2)	HEIGHT	TRAVEL	WEIGHT
FW35-7201X1L	13"	11"	752 lbs.
FW35-7201X2L	13"	17"	771 lbs.
FW35-7201X3L	13"	24"	828 lbs.
FW35-7201X4L	13"	41"	912 lbs.
FW35-7201X5L	13"	54"	986 lbs.
FW35-7201X6L	13"	66"	1051 lbs.

FIFTH WHEEL ASSEMBLY MODEL NUMBER (1) (2)	HEIGHT	WEIGHT
FW33K311ZL00	13"	777 lbs.
FW33K317ZL00	13"	796 lbs.
FW33K325AL00	13"	853 lbs.
FW33K341ZL00	13"	937 lbs.
FW33K354ZL00	13"	1011 lbs.
FW33K366ZL00	13"	1076 lbs.

FIFTH WHEEL ASSEMBLY MODEL NUMBER (1) (2)	HEIGHT	TRAVEL	WEIGHT
FW7090-7251X1L	13"	11"	910 lbs.
FW7090-7251X2L	13"	17"	960 lbs.
FW7090-7251Z3L	13"	24"	1005 lbs.
FW7090-7251X4L	13"	41"	1105 lbs.
FW7090-7251X5L	13"	54"	1205 lbs.
FW7090-7251X6L	13"	66"	1305 lbs.

- (1) For Right Hand (curb-side) Release Handle, replace L in part number with R. Right hand release available on FW35 and FW33.
- (2) For options, add the appropriate two digit code to the end of the part number. For multiple option combinations, please contact Customer Service for the applicable Option Code.
 - **Manual Secondary Lock** – Standard on FW7090. Available on FW35 and FW33 – **Option Code-02**
 - **Kompensator® Lock Out** – **Option Code 19** – (Add 5 lbs. to weight)
 - **Drilled and Tapped for Autolube** – Available on FW35 and FW7090 – **Option Code-24**
 - **3.5" Kingpin Lock** – Available on FW7090 – **Option Code-03**
 - **Kompensator® Dust Covers** – **Option Code-13**

**Essential service and checking tools -
Specially designed for HOLLAND® Fifth Wheel
products.**

2" Fifth Wheel Lock Adjustment Tools

TF-TLN-5001

Designed for checking fifth wheel locking action and lock adjustment during periodic adjustment or rebuilding of all 2" Kingpin Lock HOLLAND fifth wheels except for FWS1 (XA-S1), FWS2 (XA-S2), and all Simplex fifth wheels.



4000171

Designed for checking fifth wheel locking action and lock adjustment during periodic adjustment or rebuilding of all HOLLAND FWS1 (XA-S1), FWS2 (XA-S2) and Simplex fifth wheels.



3.5" Fifth Wheel Lock Adjustment Tool

TF-TLN-1500

Designed for checking fifth wheel locking action and lock adjustment of all 3.5" Kingpin lock HOLLAND fifth wheels.



Slider Spring Compressor

TF-TLN-2500

Designed exclusively for removing and installing springs, retainers and pins of the slide release mechanisms of HOLLAND sliding fifth wheels. Luster plated; a must for every handyman's tool box. For best results, operate with a 5/8" socket and ratchet.



2" Plug

TF-0237

This 2" plug is designed to assist in lock installation and adjustment during rebuilding or lock replacement of FW35, FW33, and FW31 fifth wheels.



Fifth Wheel Rebuild Stand

TF-04229-1

The HOLLAND fifth wheel rebuild stand allows top plate rotation for easy access to both bottom and top surfaces of the top plate for easy rebuilding. Easy nut and bolt assembly for convenience and compact storage.



For use with the following top plates:

XA-351, XA-331, XA-311, XA-AL, XA-17, XA-161, XA-S1, XA-S2, XA-201, XA-231, and XA-71



SAF-HOLLAND Group

THIS PAGE INTENTIONALLY LEFT BLANK

SPECIFICATION GUIDE

CONTENTS:

- SEVEN STEPS TO SPECIFYING THE CORRECT FIFTH WHEEL
- ITEMS TO CONSIDER BEFORE SPECIFYING A FIFTH WHEEL

The HOLLAND Fifth Wheel Specification Guide is designed to assist you to quickly complete the fifth wheel specification process. Simply complete Steps 1-7 to determine the correct fifth wheel part number to order. *If after completing Steps 1-7 you are unable to determine the correct part number, please contact your SAF-HOLLAND representative for assistance. In the U.S. call 1-888-396-6501. In Canada, call 519-537-2366.*

Step 1 ▶ Review “Items to consider Before Selecting your Fifth Wheel” on **Pages 47-51**.

Step 2 ▶ Determine the type of vehicle your fifth wheel will be mounted on (for example, tractor, converter dolly, or B-train connection) and the type of trailer your fifth wheel will be connected to (for example, van, tanker, etc.).

Step 3 ▶ Using the HOLLAND Fifth Wheel Application Guide on **Pages 6-8**, determine whether your vehicle will be used in a **Standard, Moderate, or Severe** duty application.

Step 4 ▶ Using the HOLLAND Fifth Wheel Application Guide on **Pages 6-8**, determine which fifth wheel top plates may be applicable based on the duty type, vehicle and trailer type, and capacity requirements.

Step 5 ▶ Using the HOLLAND Fifth Wheel Options Guide on **Page 9**, determine the appropriate type of fifth wheel to select based on what options are required (for example, an air release locking system). For specification information please refer to the appropriate page in the HOLLAND Fifth Wheel Top Plate Models section of this Specification Guide, **Pages 11-25**.

Step 6 ▶ Using the HOLLAND Fifth Wheel Application Guide on **Pages 6-8**, determine the appropriate type of mounting system to select based on the top plate selected (for example, standard, No-Tilt, or Kompensator®; and either stationary or sliding) and method of tractor frame attachment. For specification information on top plates and their applicable mounting systems, please refer to the appropriate page in the HOLLAND Fifth Wheel Mounting Systems section of this Specification Guide, **Pages 27-42**.

Step 7 ▶ **A Stationary Mounting Systems**

Having selected the required stationary mounting system, refer to **Page 53** to determine the height required. To determine the correct part number for ordering, please refer to the appropriate page in the HOLLAND Fifth Wheel Mounting Systems section of this Specification Guide, **Pages 27-42**.

B Sliding Mounting Systems

Having selected the required sliding mounting system, refer to **Page 53** to determine the height and travel required. To determine the correct part number for ordering, please refer to the appropriate page in the HOLLAND Fifth Wheel Mounting Systems section of this Specification Guide, **Pages 27-42**.

Fifth Wheel Ratings and Capacities

The selection of the proper fifth wheel capacity is the most critical step in specifying a fifth wheel. The use of a fifth wheel that does not meet the required capacity for the demands of the application may result in maintenance problems or more importantly, an unsafe operating condition. The user should specify a higher capacity rating than his normal needs require, taking into consideration the towed vehicle weight (TVW) to be pulled, maximum drawbar load expected, vertical load to be carried by the fifth wheel, and type of operation (for example, off-highway use will normally require a higher capacity rating than on-highway use). The HOLLAND Fifth Wheel Application Guide on **Pages 6-8**, can help determine the appropriate fifth wheel capacity required.

Fifth Wheel Options

More than one model of fifth wheel may meet the user's capacity requirements. In this event, fifth wheel options offered may help determine the appropriate top plate model. Available top plate options include: Right Hand Release, Air Release, Manual Secondary Lock, LowLube, NoLube™, Drilled and Tapped for Auto Lube, ELI™ (Electronic Lock Indicator), and Fully Oscillating, as well as No-Tilt and Kompensator® mounting systems. For a complete listing of fifth wheel options by model, please refer to the HOLLAND Fifth Wheel Options Guide on **Page 9**. For top plate specification information, please refer to the appropriate page in the HOLLAND Fifth Wheel Top Plate Models section of this Specification Guide, **Pages 11-25**.

Fifth Wheel Weight

Another determining factor in selecting a fifth wheel model is the weight. The weight of the fifth wheel should be a balance between operational cost, strength, and durability. Any additional weight (above the application requirements), will result in additional expenses such as initial cost, reduced cargo carrying capacity, and additional fuel cost.

Special Application Fifth Wheels

Some applications may require a specialized type of fifth wheel or mounting system.

LowLube *(FW33 and FW16, Pages 13 and 16)*

On-road fifth wheels designed to provide the lightest weight LowLube fifth wheels available. Replaceable lube free plate inserts and lube free pocket inserts eliminate the need for lubrication except for the fifth wheel locking mechanism.

NoLube™ *(FW31 and FWAL, Pages 14 and 17)*

On-road fifth wheels designed to require no lubrication. Patented surface alloy treated lock system components combine with replaceable lube free plate inserts, and lube free pocket inserts to completely eliminate the need for lubrication.

Aluminum *(FWAL, Page 17)*

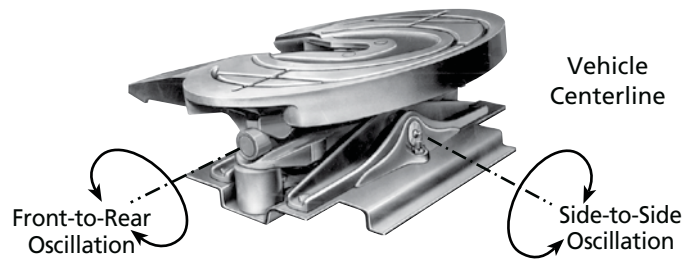
An on-road NoLube™ fifth wheel made of forged Aluminum to provide the lightest weight fifth wheel in the world. Its patented surface alloy treated lock system components combine with replaceable lube free plate inserts, and lube free pocket inserts to completely eliminate the need for lubrication.



Special Application Fifth Wheels *continued*

Fully Oscillating *(FW2080, Page 20)*

Fifth wheels designed to provide both front-to-rear and side-to-side oscillation between the tractor and trailer for use on rough and uneven terrain (mining, logging, etc.). The oscillation is provided by an undercarriage employing both transverse and longitudinal shafts. The side-to-side oscillation point is located below the fifth wheel bearing surface. *They are intended for applications where the center of gravity of the loaded trailer is at or below the top of the fifth wheel.*



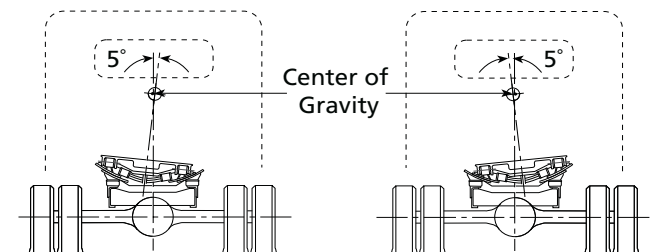
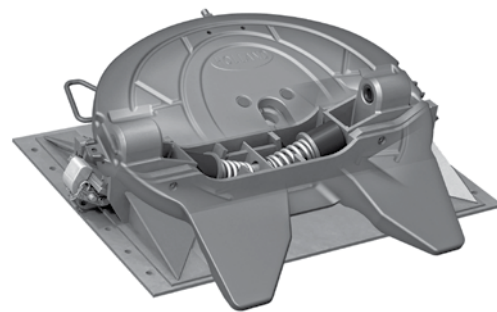
No-Tilt *(FW35 and FW33, Pages 12 and 13)*

Fifth wheels designed to be convertible from a standard articulating fifth wheel to a rigid “no-tilt” fifth wheel when required. In applications requiring this type of fifth wheel, the oscillation (articulation) is provided by other means (for example, an articulating upper coupler).



Kompensator® *(FW35, FW33 and FW0070, Pages 12, 13 and 18)*

Fifth wheel mounting system designed to provide both front-to rear and side-to-side oscillation between the tractor and trailer while relieving the twisting force between the tractor and trailer for use on rigid trailers (tankers, etc.) operating on rough and uneven terrain. The side-to-side oscillation point is located well above the fifth wheel bearing surface. *It is intended for applications where the center of gravity of the loaded trailer does not exceed 44” above the top surface of the fifth wheel.*



Fifth Wheel Mounting Systems

After determining the appropriate top plate model, the mounting system must be specified. The first step is to determine whether a standard mounting system is sufficient or if the application requires a specialized mounting system such as a No-Tilt or Kompensator®. The next decision is whether the application requires a stationary or sliding mount system.

Stationary Fifth Wheels

Stationary fifth wheels are best suited for applications where the axle loading, kingpin setting, and vehicle combination length all remain constant throughout the fleet. Stationary fifth wheels are generally lighter than sliding fifth wheels but do not offer the application flexibility of sliding fifth wheels. Based on the suspension and tractor frame, one of three tractor frame attachment methods may be specified (**Figures 1-3**);

- 1) "Angle-on-Frame Bracket Mount" (low cost and less torsional rigidity) (**Figure 1**)
- 2) "Foot Mount" (higher cost and high torsional rigidity) (**Figure 2**). *A flat or corrugated mounting plate is required for foot mount brackets.*
- 3) "Outboard Angle Integrated Plate Mount" (universal hole pattern for medium torsional rigidity bolt-on mounting) (**Figure 3**)

The final step in specifying a stationary mount fifth wheel is to determine the height required. Please see **Page 51** for a discussion of factors to be considered when determining fifth wheel assembly height requirements.

Figure 1

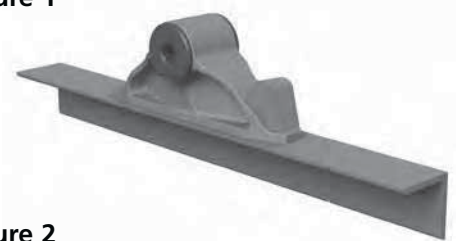
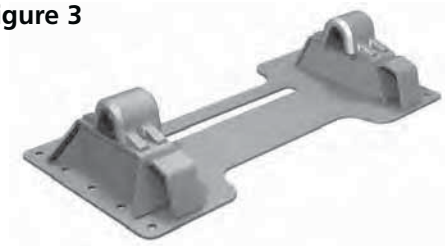


Figure 2



Figure 3



Fifth Wheel Mounting Systems *continued*

Sliding Fifth Wheels

Sliding fifth wheels are best suited for applications where the axle loading, kingpin setting, and vehicle combination length do not remain constant throughout the fleet. Sliding fifth wheels provide the capability to 1) transfer weight between tractor axles, 2) accommodate trailers with different kingpin settings, and 3) vary vehicle combination lengths. Sliding fifth wheels also provide:

Better Resale Value by providing maximum equipment flexibility

Improved Maneuverability by allowing the fifth wheel to slide forward for additional maneuverability in tight locations or slide rearward to accommodate trailers with short landing gear clearance.

Increased Ride Comfort by locating the fifth wheel closer to the centerline of the bogie or rear axle. When the axles are not overloaded, the driver has the ability to extend the unit for maximum comfort.

Based on the suspension and tractor frame, one of two tractor frame attachment methods may be specified (**Figures 4-5**);

- 1) "Over-the-Frame Inboard Angle Mount" (**Figure 4**)
- 2) "Outboard Angle Mount" (bolt-on mounting) (**Figure 5**)

The final step in specifying a sliding mount fifth wheel is to determine the height and travel length required. Please see the next page for a discussion of factors to be considered when determining fifth wheel assembly height and slide travel requirements.

Figure 4

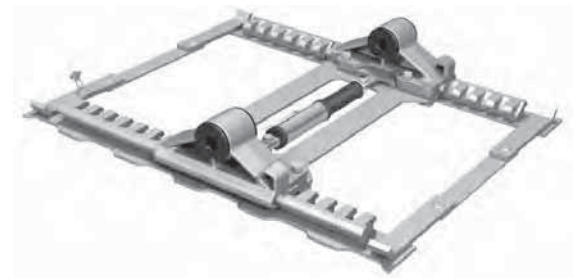
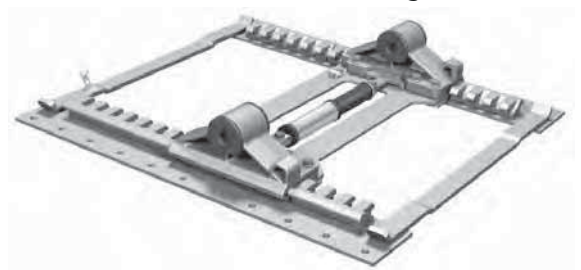


Figure 5



Fifth Wheel Height

Correct fifth wheel height specification is critical because the overall combination tractor/trailer height cannot exceed 13'6". Fifth wheels are designed to operate with the top plate level, so every attempt should be made to match the fifth wheel height with the trailer upper coupler (bolster plate) height. The maximum allowable fifth wheel height is determined by subtracting the trailer height and tractor frame height from the maximum height of 13'5". In addition, operating conditions must be considered to ensure the tractor/trailer will not exceed the available articulation damaging the fifth wheel, tractor frame, or trailer (the lower the fifth wheel height, the less articulation available, especially in off-road applications). Tire clearance should also be considered, keeping in mind spring deflection under full load.

Another important consideration in determining fifth wheel height is developing a standard fleet specification. Having all tractors with the same mounted fifth wheel height (height from the ground to the top of the fifth wheel) aids in proper coupling by reducing the need to adjust trailer landing gear before coupling.

Fifth Wheel Slide Travel Length

Proper slide length specification is very important. Too short a slide length and optimum equipment utilization may not be achieved (for example inability to shift enough kingpin load to the front axle). Too long a slide length and overloading of the front axle, or interference between the tractor/trailer during cornering may occur. Over specification of slide length also results in unnecessary additional tractor weight and initial fifth wheel cost.

Fifth Wheel Cost

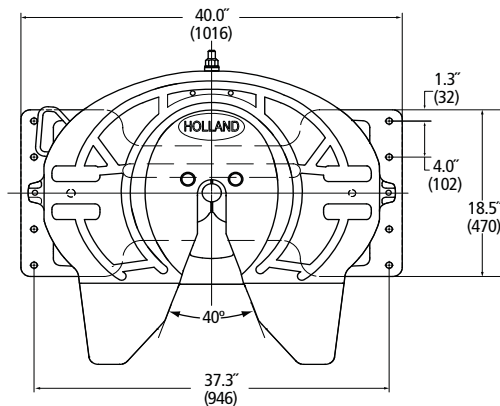
No discussion of fifth wheels would be complete without referring to costs. Users should always balance the initial cost of the unit to be purchased against the application required, maintenance costs, wear life, and availability of parts and service. The least expensive initial cost fifth wheel may have a higher total cost after factoring in operational and repair costs related to tractor downtime, kingpin replacement, and tractor/trailer frame damage. If a specialty fifth wheel (for example, a Kompensator®) or special options have been recommended for your application, special consideration should be given to those recommendations. The benefits may offset the additional initial cost.



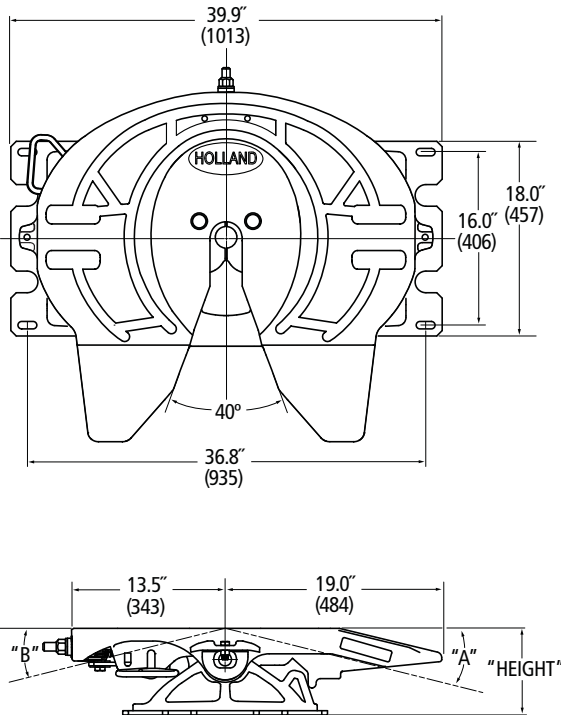
SAF-HOLLAND Group

THIS PAGE INTENTIONALLY LEFT BLANK

FIFTH WHEEL ASSEMBLY DIMENSIONS



FW35 Stationary Foot Mount

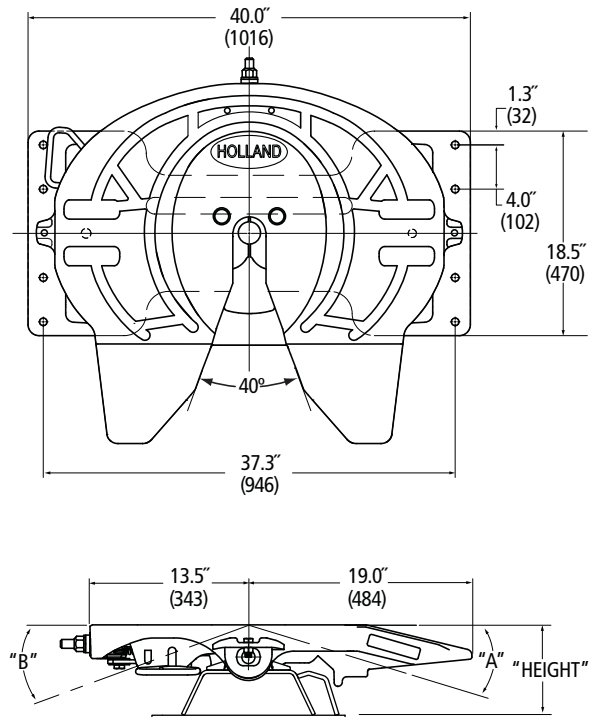
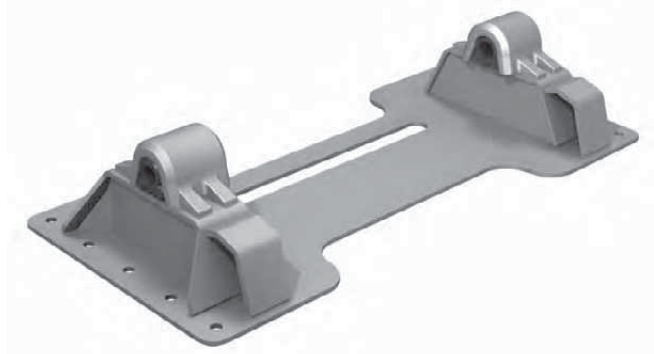


PART NUMBER	HEIGHT	A	B	WEIGHT
FW35Y600XL00	5.6"	8°	8°	296 lbs.
FW35Y700XL00	6.6"	11°	11°	302 lbs.
FW35Y800XL00	7.6"	14°	14°	307 lbs.
FW35Y900XL00	8.6"	17°	17°	312 lbs.

Corrugated Plate Option adds .9" to height.

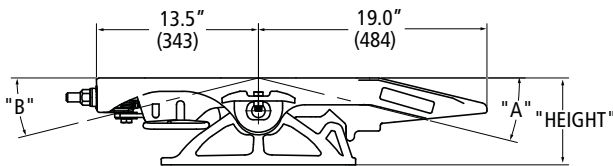
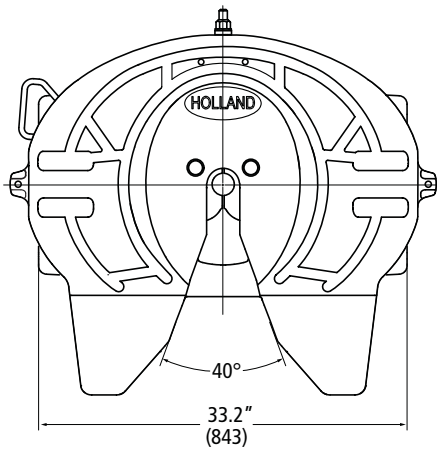
A flat or corrugated mounting plate is required for foot mount brackets. 5.6" height requires a cutout in the mounting plate for proper articulation. Refer to Fifth Wheel Installation Manual (XL-FW10008IM) for specifications.

FW35 Stationary Integrated Plate Mount



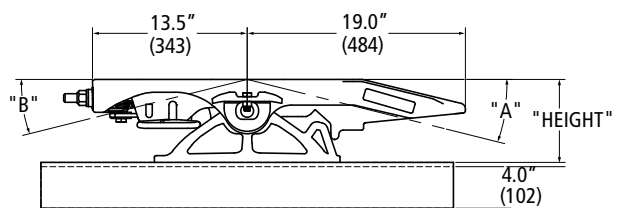
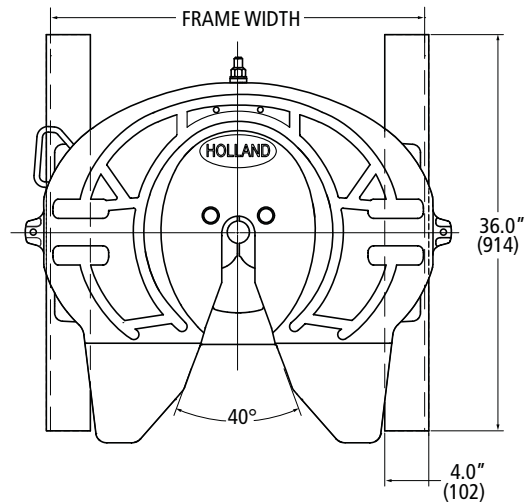
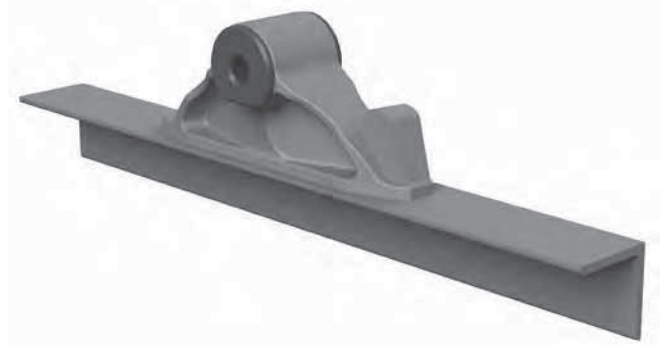
PART NUMBER	HEIGHT	A	B	WEIGHT
FW35Z600XL00	5.6"	8°	8°	312 lbs.
FW35Z700XL00	6.6"	11°	11°	320 lbs.
FW35Z800XL00	7.6"	14°	14°	327 lbs.
FW35Z900XL00	8.6"	17°	17°	323 lbs.

FW35 Stationary Brackets for Angle Mounting



PART NUMBER	HEIGHT	A	B	WEIGHT
FW35X600XL00	5.2"	8°	8°	267 lbs.
FW35X700XL00	6.2"	11°	11°	273 lbs.
FW35X800XL00	7.2"	14°	14°	278 lbs.
FW35X900XL00	8.2"	17°	17°	283 lbs.

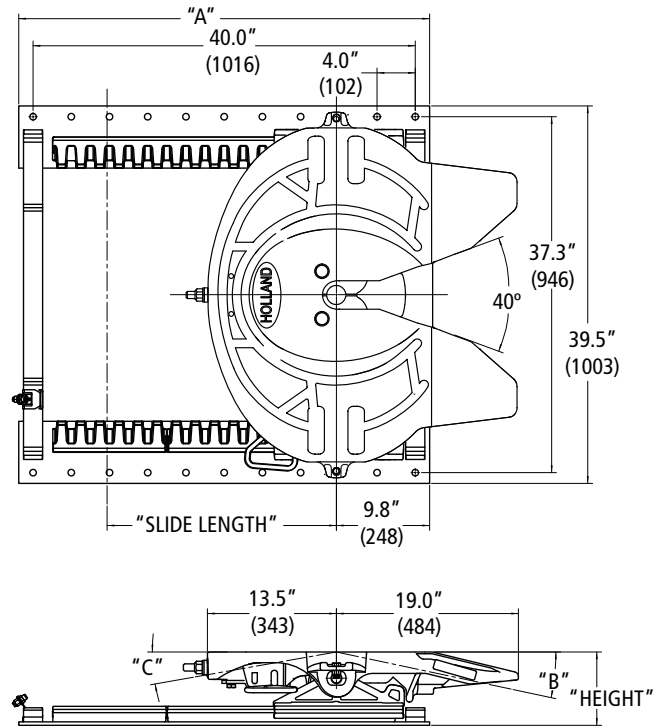
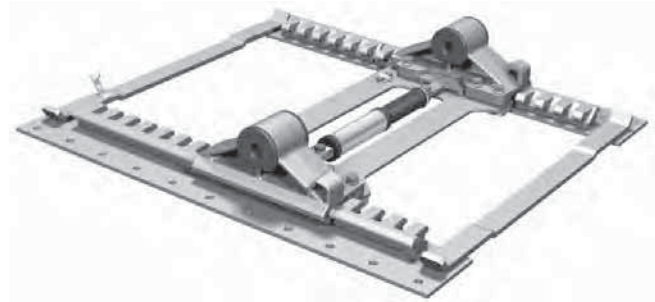
FW35 Stationary Brackets with Angle Mounting



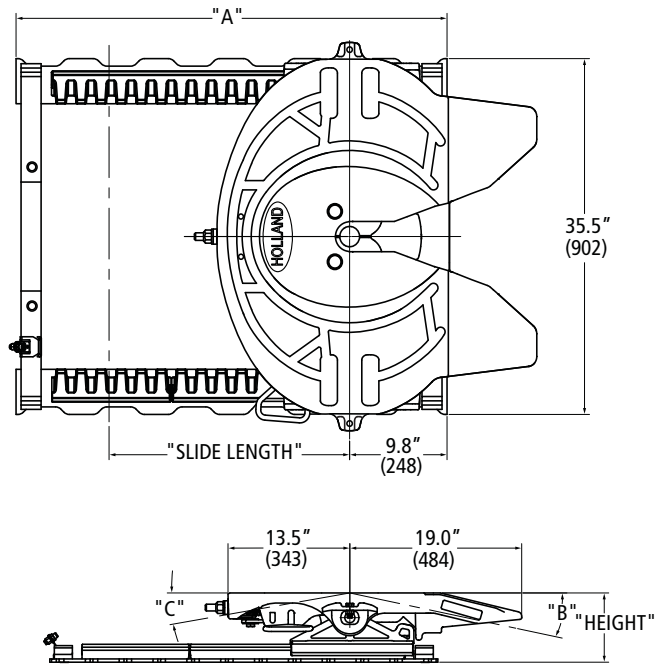
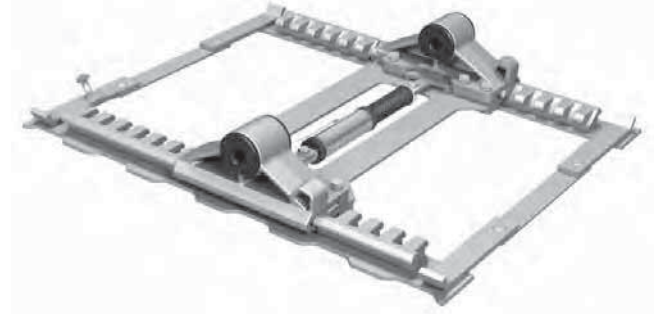
PART NUMBER	HEIGHT	A	B	WEIGHT
FW35W600GL00	5.6"	8°	8°	325 lbs.
FW35W700GL00	6.6"	11°	11°	331 lbs.
FW35W800GL00	7.6"	14°	14°	336 lbs.
FW35W900GL00	8.6"	17°	17°	341 lbs.

FRAME WIDTH	CODE	FRAME WIDTH	CODE	FRAME WIDTH	CODE
33.25"	A	33.75"	E	34.25"	J
33.38"	B	33.88"	F	34.38"	K
33.50"	C	34.00"	G	34.50"	L
33.62"	D	34.12"	H		

FW35 ILS™ Outboard Sliding Mount



FW35 ILS™ Inboard Sliding Mount



PART NUMBER	HEIGHT	SLIDE LENGTH	A	B	C	WEIGHT
FW35A712XL00	6.7"	12"	31"	8°	8°	414 lbs.
FW35A724XL00	6.7"	24"	43"	8°	8°	447 lbs.
FW35A736XL00	6.7"	36"	55"	8°	8°	481 lbs.
FW35A748XL00	6.7"	48"	67"	8°	8°	514 lbs.
FW35A812XL00	7.7"	12"	31"	12°	10°	418 lbs.
FW35A824XL00	7.7"	24"	43"	12°	10°	452 lbs.
FW35A836XL00	7.7"	36"	55"	12°	10°	486 lbs.
FW35A848XL00	7.7"	48"	67"	12°	10°	519 lbs.
FW35A912XL00	8.7"	12"	31"	15°	12°	422 lbs.
FW35A924XL00	8.7"	24"	43"	15°	12°	456 lbs.
FW35A936XL00	8.7"	36"	55"	15°	12°	489 lbs.
FW35A948XL00	8.7"	48"	67"	15°	12°	523 lbs.

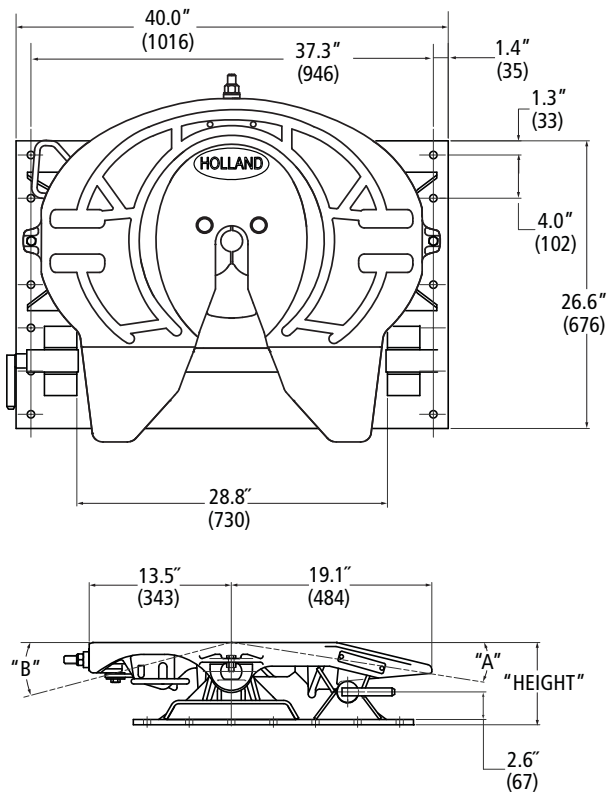
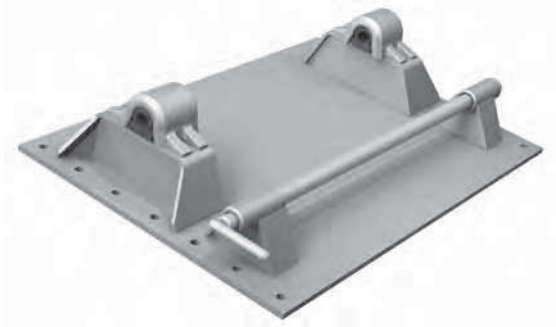
PART NUMBER	HEIGHT	SLIDE LENGTH	A	B	C	WEIGHT
FW35B712XL00	6.7"	12"	31"	8°	8°	399 lbs.
FW35B724XL00	6.7"	24"	43"	8°	8°	427 lbs.
FW35B736XL00	6.7"	36"	55"	8°	8°	455 lbs.
FW35B748XL00	6.7"	48"	67"	8°	8°	483 lbs.
FW35B812XL00	7.7"	12"	31"	12°	10°	404 lbs.
FW35B824XL00	7.7"	24"	43"	12°	10°	432 lbs.
FW35B836XL00	7.7"	36"	55"	12°	10°	460 lbs.
FW35B848XL00	7.7"	48"	67"	12°	10°	488 lbs.
FW35B912XL00	8.7"	12"	31"	15°	12°	408 lbs.
FW35B924XL00	8.7"	24"	43"	15°	12°	436 lbs.
FW35B936XL00	8.7"	36"	55"	15°	12°	464 lbs.
FW35B948XL00	8.7"	48"	67"	15°	12°	492 lbs.



HOLLAND® Fifth Wheel – Assembly Dimensions

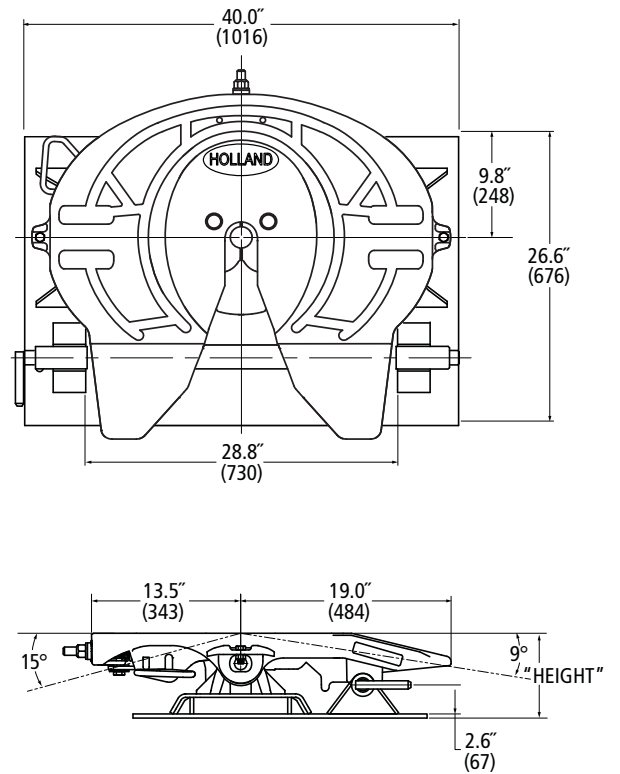
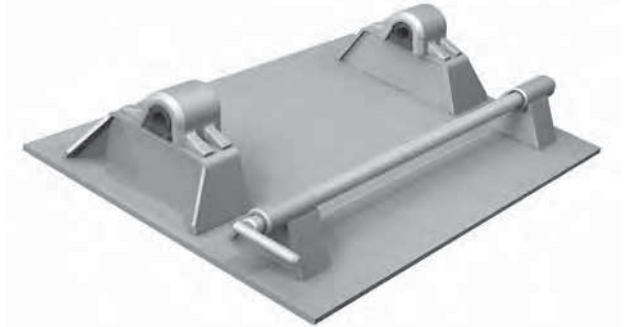
SAF-HOLLAND Group

FW35 Stationary No-Tilt Outboard Mount



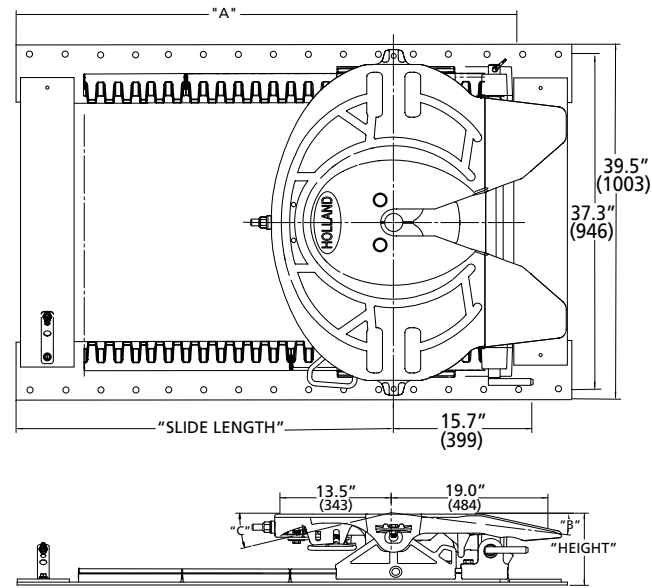
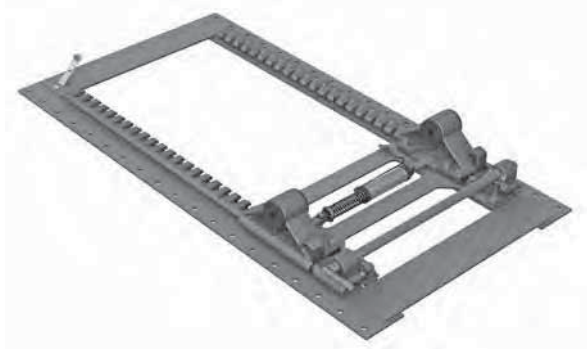
PART NUMBER	HEIGHT	A	B	WEIGHT
FW35N900YL00	7.8"	9°	15°	475 lbs.
FW35N900YL00	8.8"	14°	15°	477 lbs.

FW35 Stationary No-Tilt Inboard for Angle Mounting



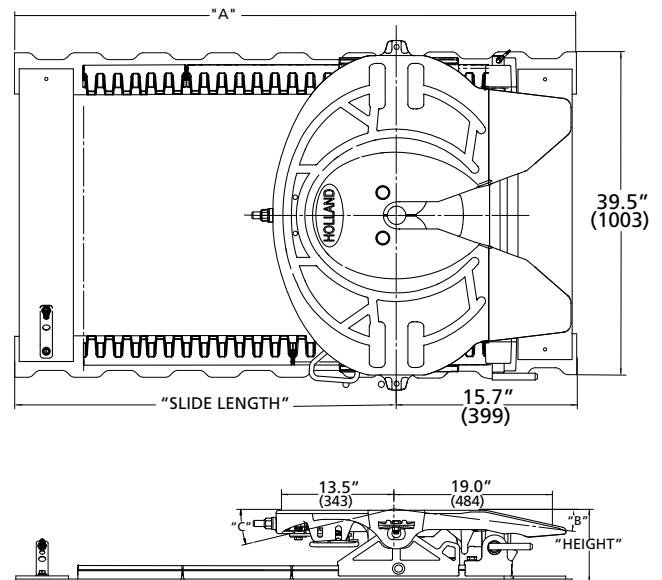
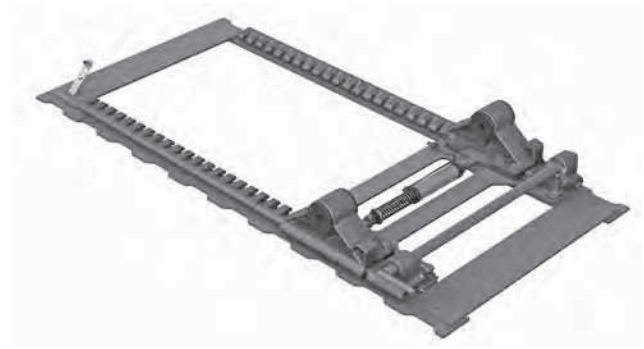
PART NUMBER	HEIGHT	WEIGHT
FW35N800ZL00	7.7"	443 lbs.

**FW35 ILS™ Sliding No-Tilt
Outboard Mount**



PART NUMBER	HEIGHT	SLIDE LENGTH	A	B	C	WEIGHT
FW35N906YL00	8.8"	6.0"	39"	9°	12°	526 lbs.
FW35N918YL00	8.8"	18.0"	51"	9°	12°	560 lbs.
FW35N930YL00	8.8"	30.0"	63"	9°	12°	594 lbs.
FW35N942YL00	8.8"	42.0"	75"	9°	12°	627 lbs.

**FW35 ILS™ Sliding No-Tilt
Inboard for Angle Mounting**



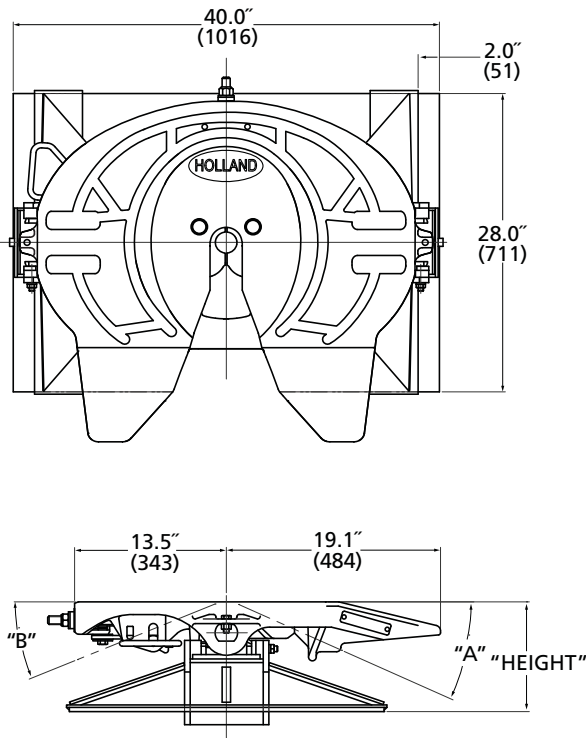
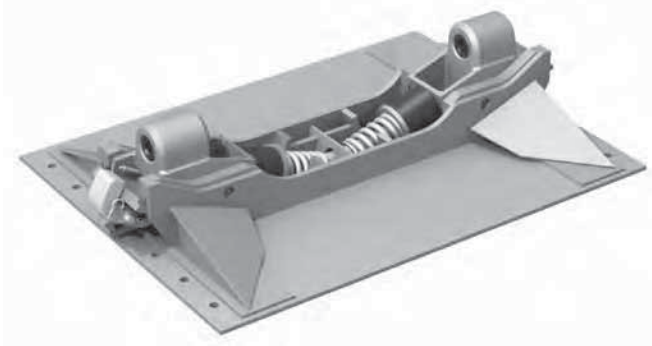
PART NUMBER	HEIGHT	SLIDE LENGTH	A	B	C	WEIGHT
FW35N906WL00	8.8"	6.0"	39"	9°	12°	506 lbs.
FW35N918WL00	8.8"	18.0"	51"	9°	12°	536 lbs.
FW35N930WL00	8.8"	30.0"	63"	9°	12°	566 lbs.
FW35N942WL00	8.8"	42.0"	75"	9°	12°	592 lbs.



HOLLAND® Fifth Wheel – Assembly Dimensions

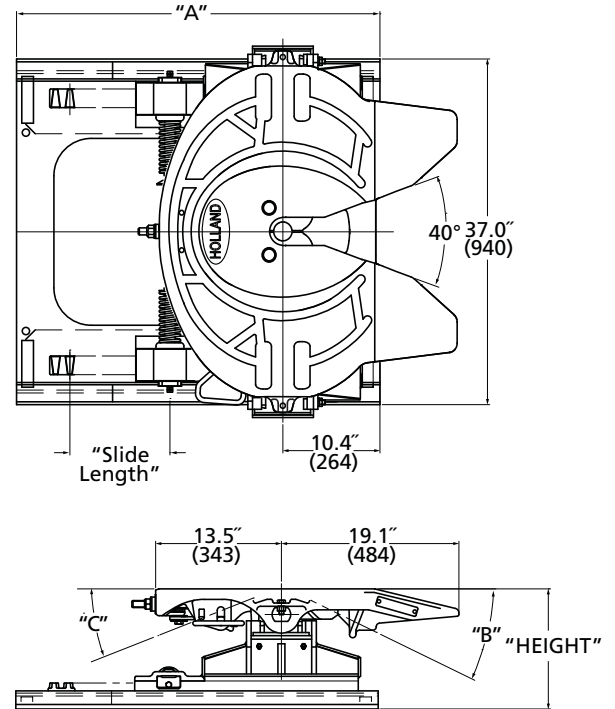
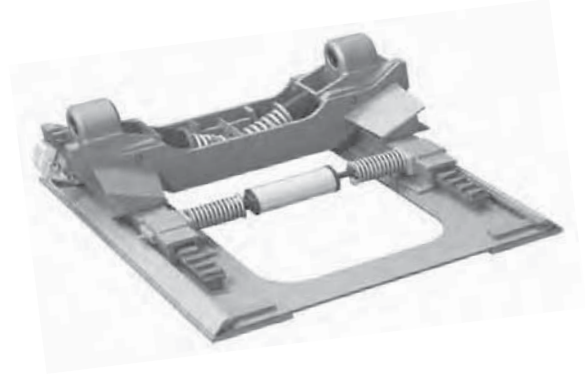
SAF-HOLLAND Group

FW35 Stationary Kompensator® Outboard Plate Mount



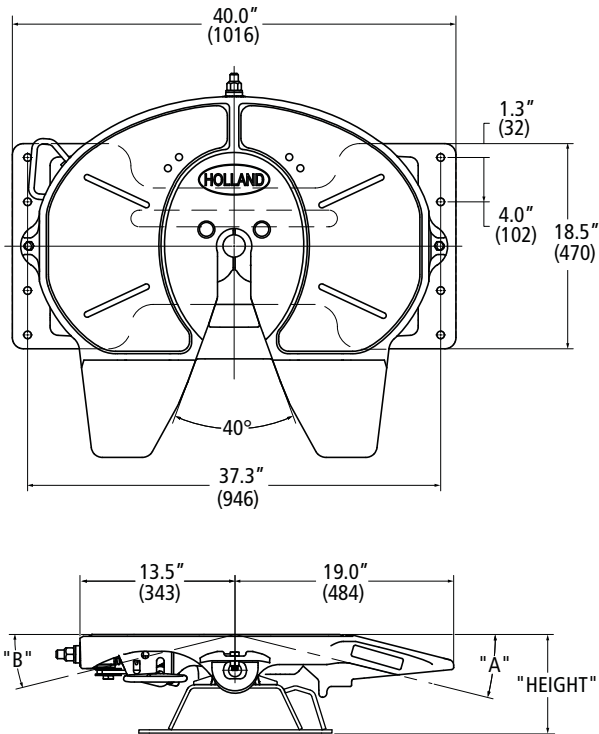
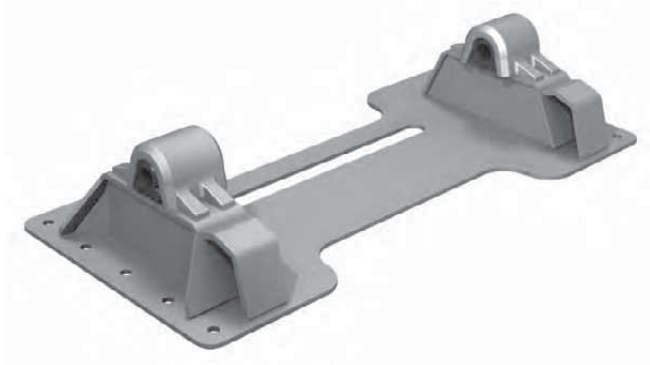
PART NUMBER	HEIGHT	A	B	WEIGHT
FW35-7729XL	9.8"	19°	19°	575 lbs.
FW35-7727XL	11.8"	19°	19°	640 lbs.
FW35-7726XL	12.8"	19°	19°	649 lbs.

FW35 Sliding Kompensator® Inboard for Angle Mounting

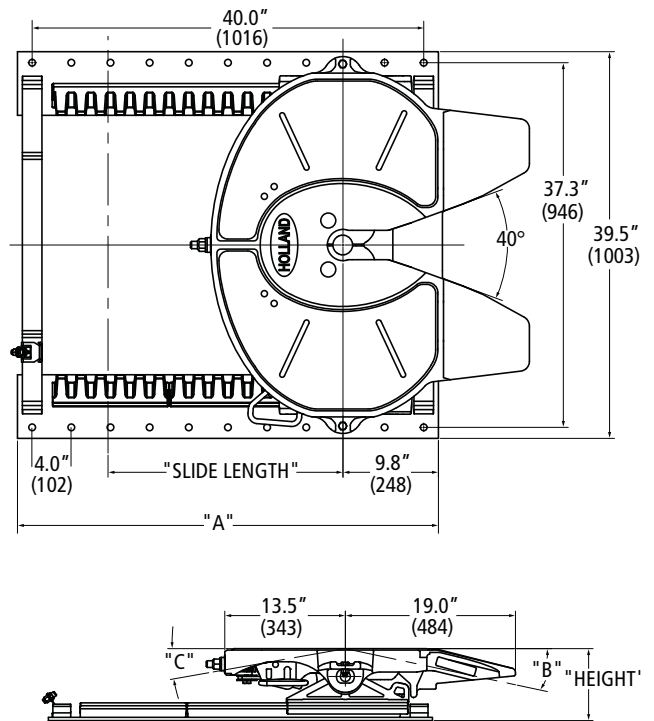
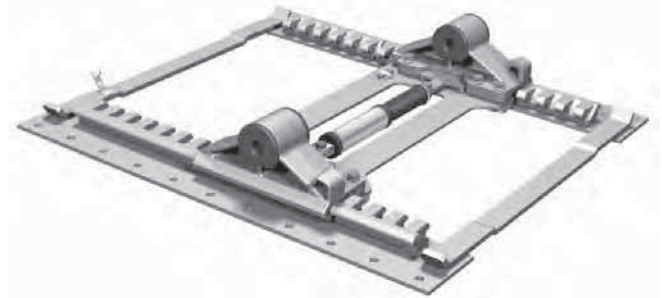


PART NUMBER	HEIGHT	SLIDE LENGTH	A	B	C	WEIGHT
FW35-7201X1L	12.9"	10.7"	38.9"	26°	22°	752 lbs.
FW35-7201X2L	12.9"	16.8"	45.0"	26°	22°	771 lbs.
FW35-7201X3L	12.9"	24.5"	52.6"	26°	22°	828 lbs.
FW35-7201X4L	12.9"	41.3"	69.5"	26°	22°	912 lbs.
FW35-7201X5L	12.9"	53.6"	82.0"	26°	22°	986 lbs.
FW35-7201X6L	12.9"	65.8"	94.0"	26°	22°	1051 lbs.

FW33 Stationary Integrated Plate Mount



FW33 ILS™ Sliding Outboard Mount



PART NUMBER	HEIGHT	A	B	WEIGHT
FW33Z600XL00	6.0"	8°	8°	337 lbs.
FW33Z700XL00	7.0"	11°	11°	345 lbs.
FW33Z800XL00	8.0"	14°	14°	352 lbs.
FW33Z900XL00	9.0"	17°	17°	348 lbs.

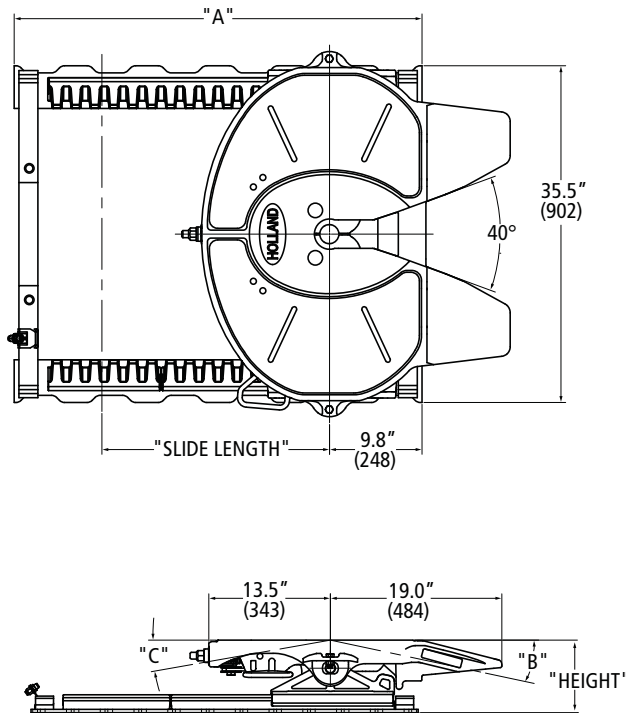
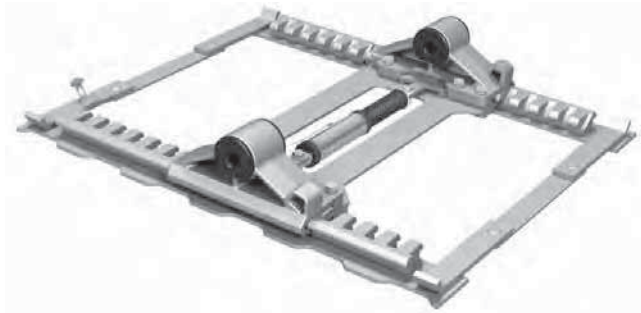
PART NUMBER	HEIGHT	SLIDE LENGTH	A	B	C	WEIGHT
FW33A712XL00	7.1"	12"	31"	8°	8°	439 lbs.
FW33A724XL00	7.1"	24"	43"	8°	8°	472 lbs.
FW33A736XL00	7.1"	36"	55"	8°	8°	506 lbs.
FW33A748XL00	7.1"	48"	67"	8°	8°	539 lbs.
FW33A812XL00	8.1"	12"	31"	12°	10°	443 lbs.
FW33A824XL00	8.1"	24"	43"	12°	10°	477 lbs.
FW33A836XL00	8.1"	36"	55"	12°	10°	511 lbs.
FW33A848XL00	8.1"	48"	67"	12°	10°	544 lbs.
FW33A912XL00	9.1"	12"	31"	15°	12°	447 lbs.
FW33A924XL00	9.1"	24"	43"	15°	12°	481 lbs.
FW33A936XL00	9.1"	36"	55"	15°	12°	514 lbs.
FW33A948XL00	9.1"	48"	67"	15°	12°	548 lbs.



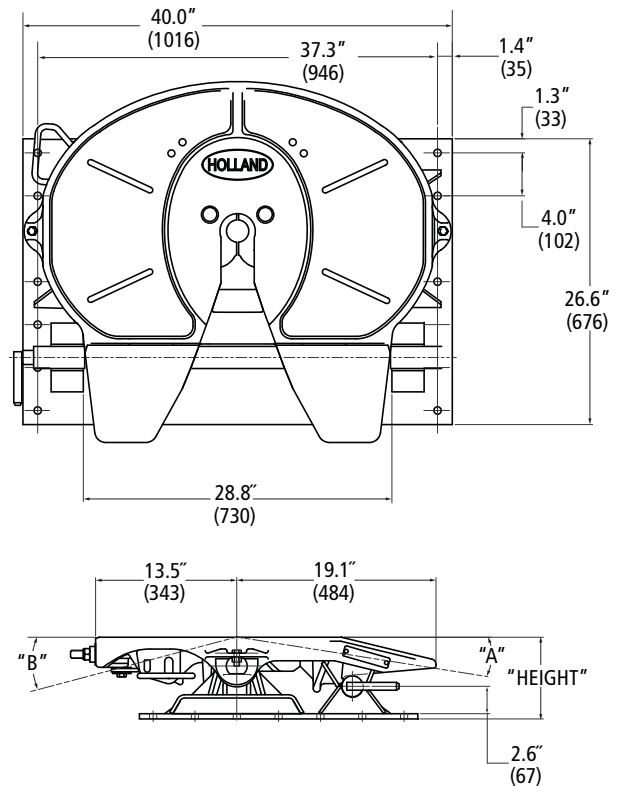
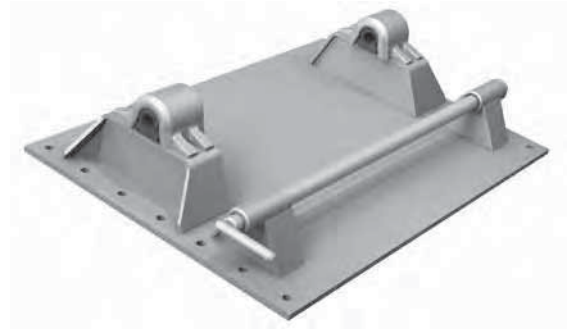
HOLLAND® Fifth Wheel – Assembly Dimensions

SAF-HOLLAND Group

FW33 ILS™ Sliding Inboard Mount for Angle



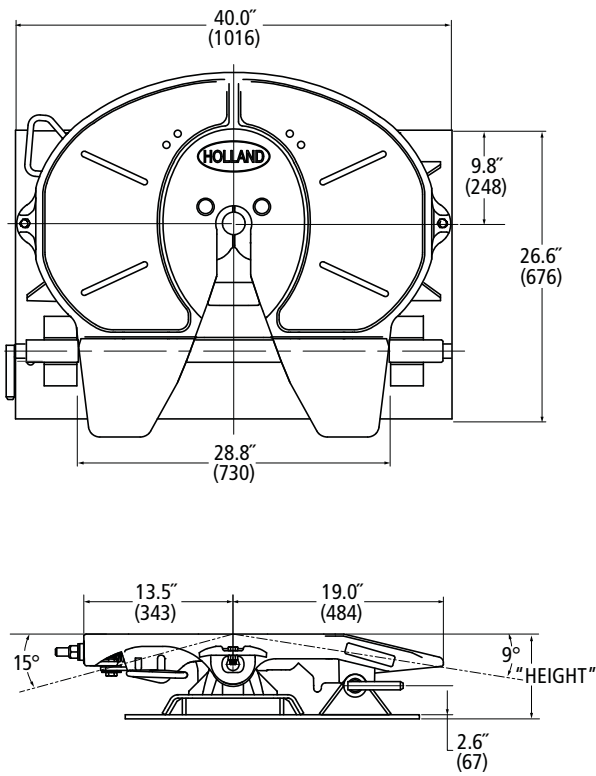
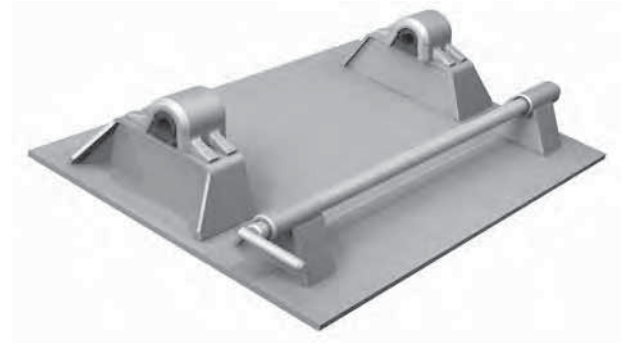
FW33 Stationary No-Tilt Outboard Mount



PART NUMBER	HEIGHT	SLIDE LENGTH	A	B	C	WEIGHT
FW33B712XL00	7.1"	12"	31"	8°	8°	424 lbs.
FW33B724XL00	7.1"	24"	43"	8°	8°	452 lbs.
FW33B736XL00	7.1"	36"	55"	8°	8°	480 lbs.
FW33B748XL00	7.1"	48"	67"	8°	8°	508 lbs.
FW33B812XL00	8.1"	12"	31"	12°	10°	429 lbs.
FW33B824XL00	8.1"	24"	43"	12°	10°	457 lbs.
FW33B836XL00	8.1"	36"	55"	12°	10°	485 lbs.
FW33B848XL00	8.1"	48"	67"	12°	10°	513 lbs.
FW33B912XL00	9.1"	12"	31"	15°	12°	433 lbs.
FW33B924XL00	9.1"	24"	43"	15°	12°	461 lbs.
FW33B936XL00	9.1"	36"	55"	15°	12°	489 lbs.
FW33B948XL00	9.1"	48"	67"	15°	12°	517 lbs.

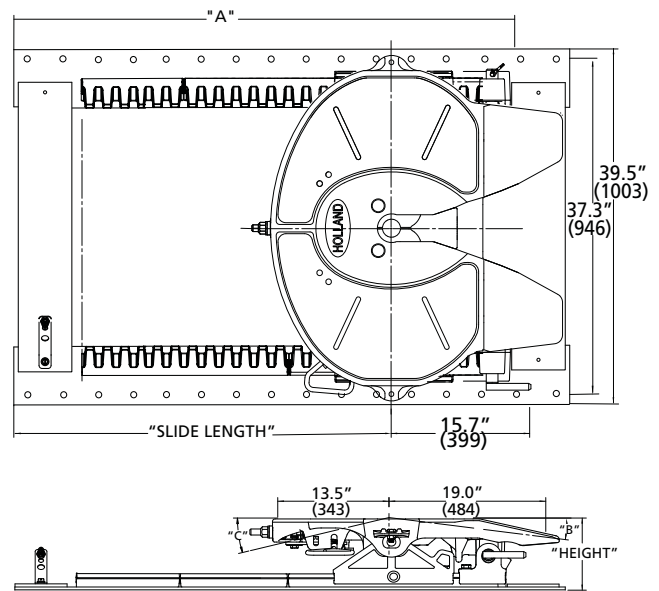
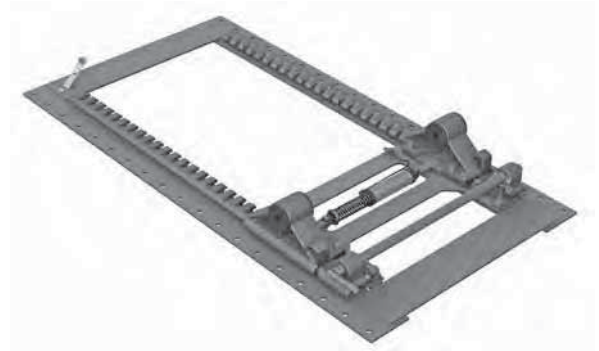
PART NUMBER	HEIGHT	A	B	WEIGHT
FW33N800YL00	8.2"	9°	15°	500 lbs.
FW33N900YL00	9.2"	14°	15°	502 lbs.

FW33 Stationary No-Tilt Inboard for Angle Mounting



PART NUMBER	HEIGHT	WEIGHT
FW33N800ZL00	8.1"	468 lbs.

FW33 ILS™ Sliding No-Tilt Outboard Mount

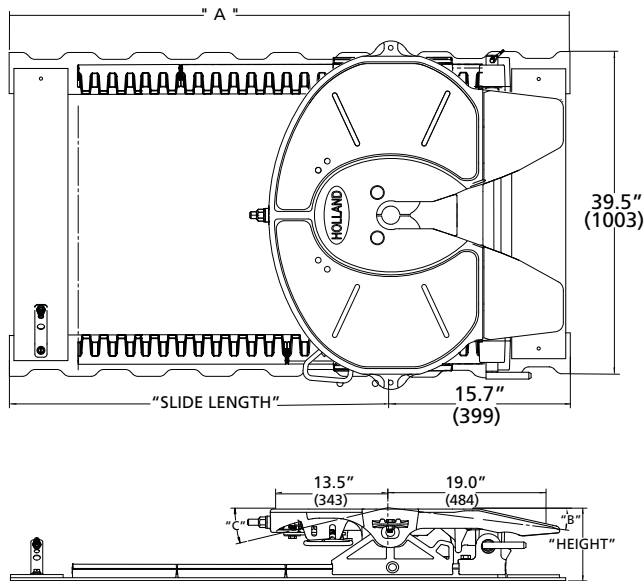
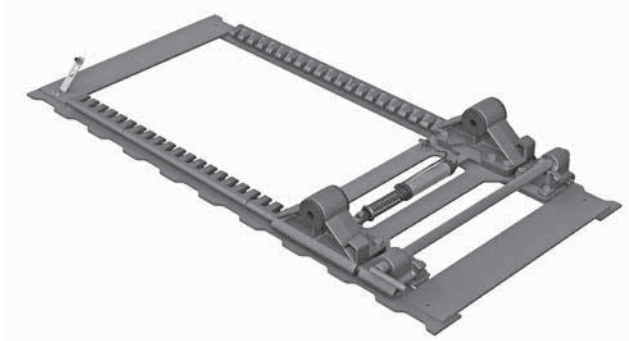


PART NUMBER	HEIGHT	SLIDE LENGTH	A	B	C	WEIGHT
FW33N906YL00	9.2"	6.0"	39"	9°	12°	551 lbs.
FW33N918YL00	9.2"	18.0"	51"	9°	12°	585 lbs.
FW33N930YL00	9.2"	30.0"	63"	9°	12°	619 lbs.
FW33N942YL00	9.2"	42.0"	75"	9°	12°	652 lbs.



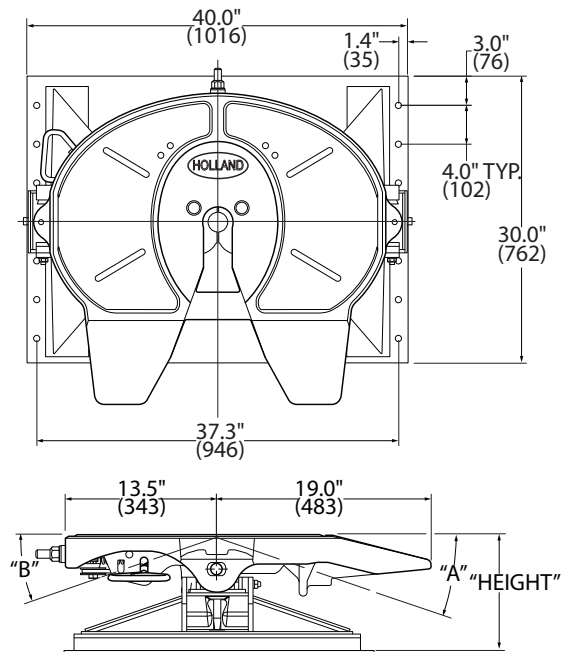
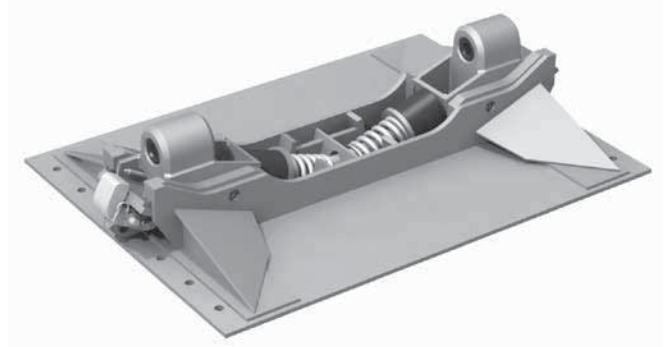
SAF-HOLLAND Group

FW33 ILS™ Sliding No-Tilt Inboard for Angle Mounting



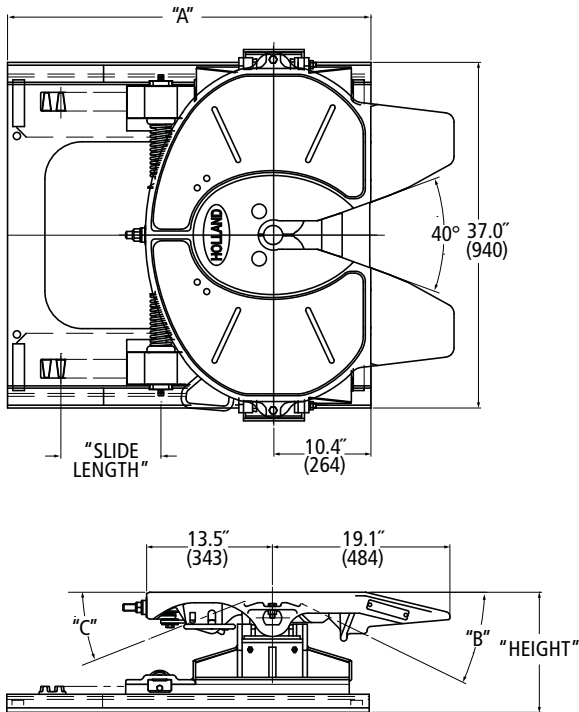
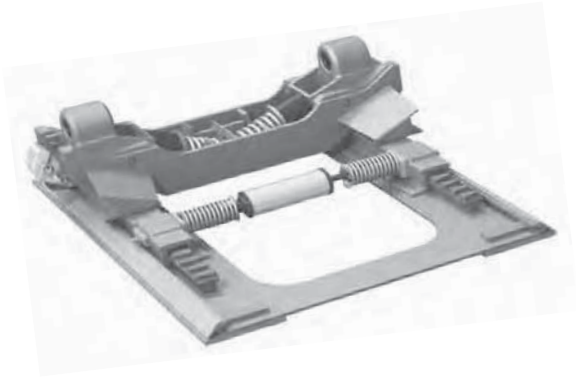
PART NUMBER	HEIGHT	SLIDE LENGTH	A	B	C	WEIGHT
FW33N906WL00	9.2"	6.0"	39"	9°	12°	531 lbs.
FW33N918WL00	9.2"	18.0"	51"	9°	12°	561 lbs.
FW33N930WL00	9.2"	30.0"	63"	9°	12°	589 lbs.
FW33N942WL00	9.2"	42.0"	75"	9°	12°	617 lbs.

FW33 Stationary KOMPENSATOR Outboard Plate Mount



PART NUMBER	HEIGHT	A	B	WEIGHT
FW33K000YL00	10.2"	19°	19°	600 lbs.
FW33K200YL00	12.2"	19°	19°	665 lbs.
FW33K300YL00	13.2"	19°	19°	674 lbs.

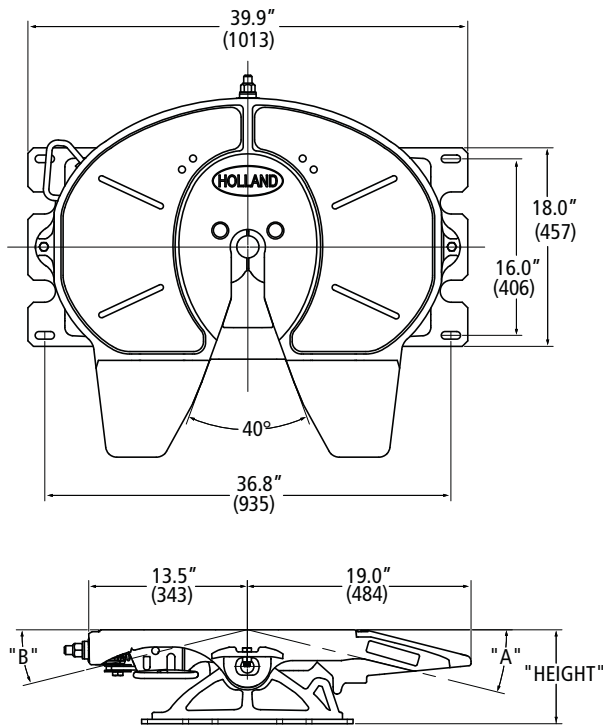
FW33 Sliding KOMPENSATOR Inboard for Angle Mounting



PART NUMBER	HEIGHT	SLIDE LENGTH	A	B	C	WEIGHT
FW33K311ZL00	13.3"	10.7"	38.9"	26°	22°	777 lbs.
FW33K317ZL00	13.3"	16.8"	45.0"	26°	22°	796 lbs.
FW33K325ZL00	13.3"	24.5"	52.6"	26°	22°	853 lbs.
FW33K341ZL00	13.3"	41.3"	69.5"	26°	22°	937 lbs.
FW33K354ZL00	13.3"	53.6"	82.0"	26°	22°	1011 lbs.
FW33K366ZL00	13.3"	65.8"	94.0"	26°	22°	1076 lbs.

SAF-HOLLAND Group

FW31 Stationary Foot Mount

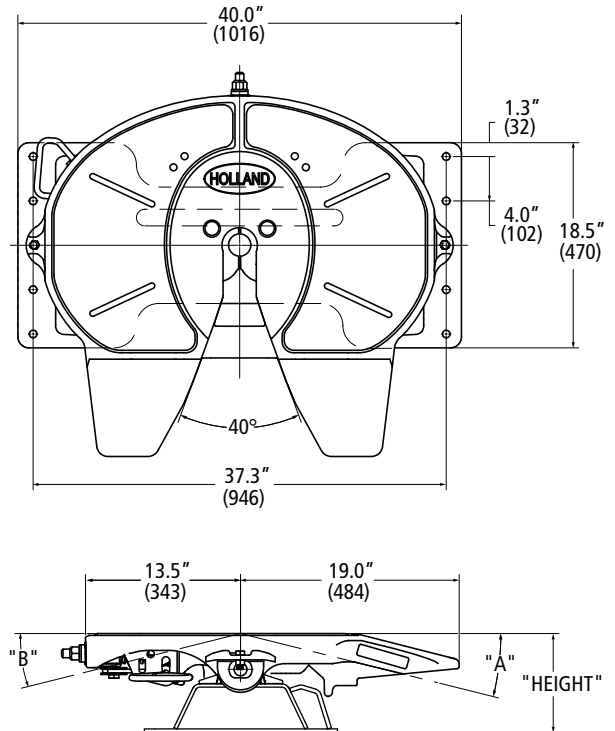
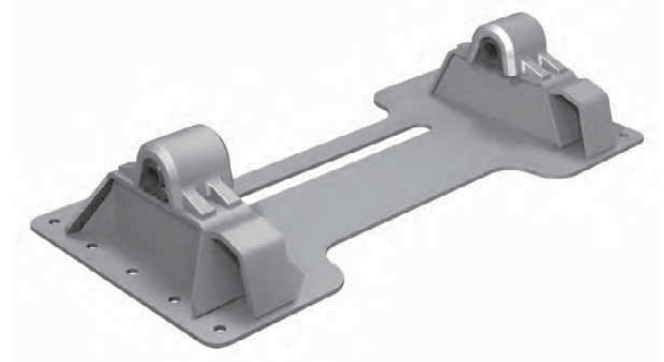


PART NUMBER	HEIGHT	A	B	WEIGHT
FW31Y600XL00	6.0"	8°	8°	321 lbs.
FW31Y700XL00	7.0"	11°	11°	327 lbs.
FW31Y800XL00	8.0"	14°	14°	332 lbs.
FW31Y900XL00	9.0"	17°	17°	337 lbs.

Corrugated Plate Option adds .9" to height.

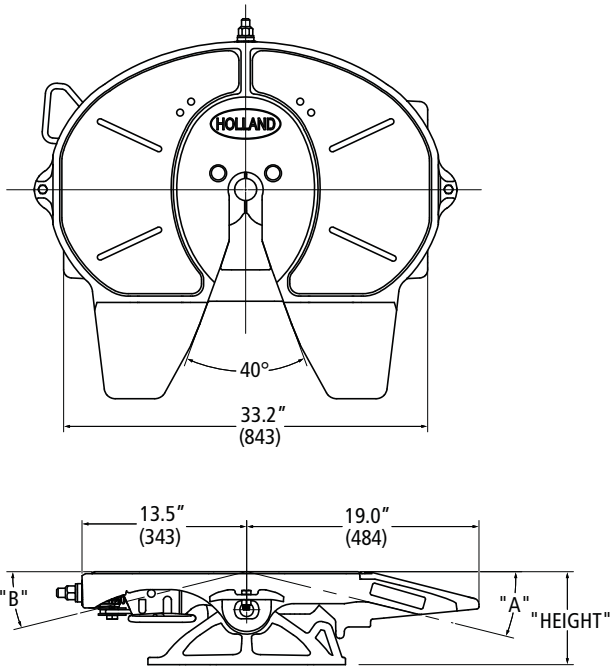
A flat or corrugated mounting plate is required for foot mount brackets. 6.0" height requires a cutout in the mounting plate for proper articulation. Refer to Fifth Wheel Installation Manual (XL-FW10008IM) for specifications.

FW31 Stationary Integrated Plate Mount



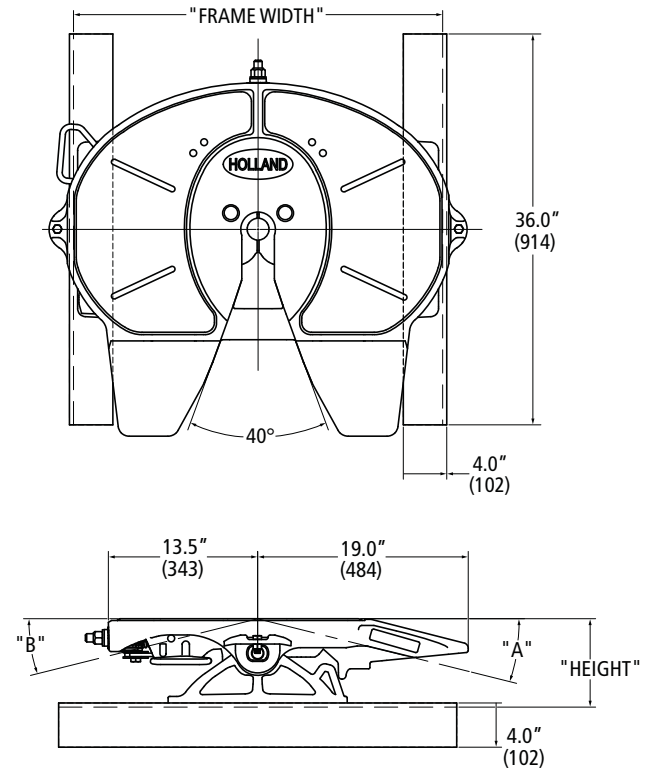
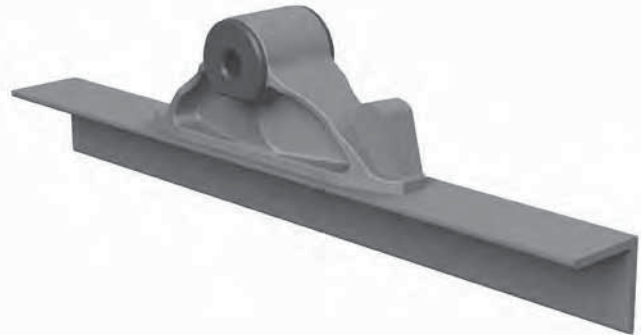
PART NUMBER	HEIGHT	A	B	WEIGHT
FW31Z600XL00	6.0"	8°	8°	337 lbs.
FW31Z700XL00	7.0"	11°	11°	345 lbs.
FW31Z800XL00	8.0"	14°	14°	352 lbs.
FW31Z900XL00	9.0"	17°	17°	348 lbs.

FW31 Stationary Brackets for Angle Mounting



PART NUMBER	HEIGHT	A	B	WEIGHT
FW31X600XL00	5.6"	8°	8°	292 lbs.
FW31X700XL00	6.6"	11°	11°	298 lbs.
FW31X800XL00	7.6"	14°	14°	303 lbs.
FW31X900XL00	8.6"	17°	17°	308 lbs.

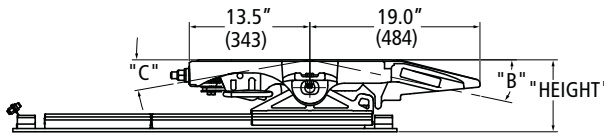
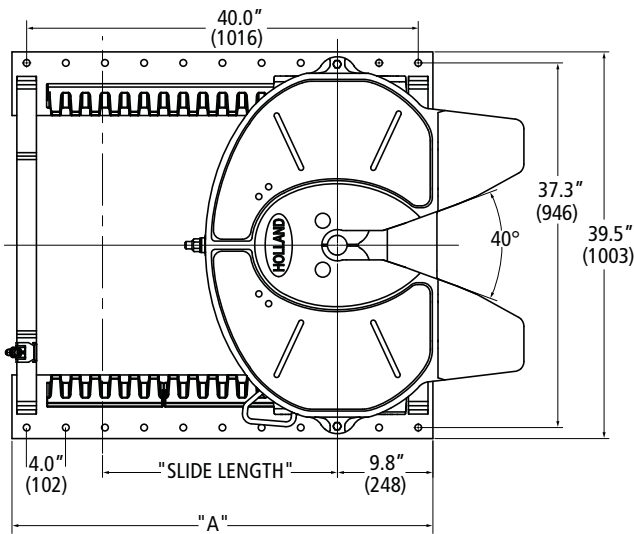
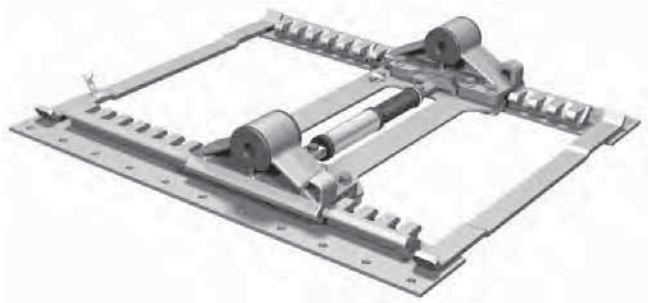
FW31 Stationary Brackets with Angle Mounting



PART NUMBER	HEIGHT	A	B	WEIGHT
FW31W600GL00	6.0"	8°	8°	350 lbs.
FW31W700GL00	7.0"	11°	11°	356 lbs.
FW31W800GL00	8.0"	14°	14°	361 lbs.
FW31W900GL00	9.0"	17°	17°	366 lbs.

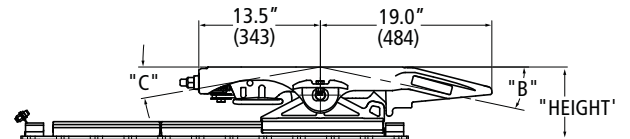
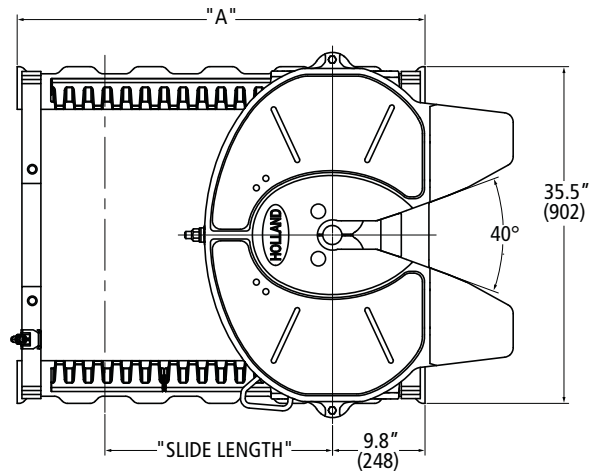
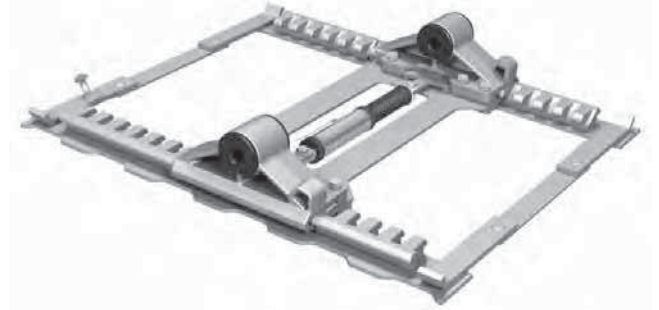
FRAME WIDTH	CODE	FRAME WIDTH	CODE	FRAME WIDTH	CODE
33.25"	A	33.75"	E	34.25"	J
33.38"	B	33.88"	F	34.38"	K
33.50"	C	34.00"	G	34.50"	L
33.62"	D	34.12"	H		

FW31 ILS™ Outboard Sliding Mount



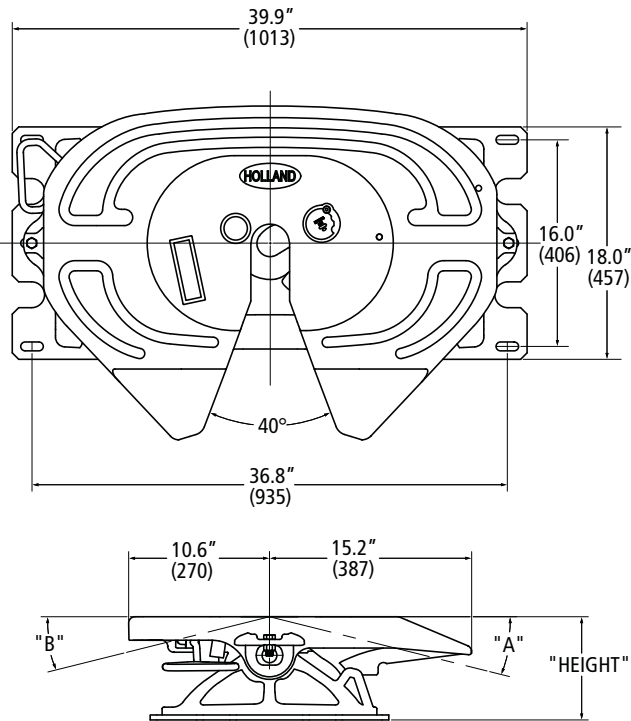
PART NUMBER	HEIGHT	SLIDE LENGTH	A	B	C	WEIGHT
FW31A712XL00	7.1"	12"	31"	8°	8°	439 lbs.
FW31A724XL00	7.1"	24"	43"	8°	8°	472 lbs.
FW31A736XL00	7.1"	36"	55"	8°	8°	506 lbs.
FW31A748XL00	7.1"	48"	67"	8°	8°	539 lbs.
FW31A812XL00	8.1"	12"	31"	12°	10°	443 lbs.
FW31A824XL00	8.1"	24"	43"	12°	10°	477 lbs.
FW31A836XL00	8.1"	36"	55"	12°	10°	511 lbs.
FW31A848XL00	8.1"	48"	67"	12°	10°	544 lbs.
FW31A912XL00	9.1"	12"	31"	15°	12°	447 lbs.
FW31A924XL00	9.1"	24"	43"	15°	12°	481 lbs.
FW31A936XL00	9.1"	36"	55"	15°	12°	514 lbs.
FW31A948XL00	9.1"	48"	67"	15°	12°	548 lbs.

FW31 ILS™ Inboard Sliding Mount



PART NUMBER	HEIGHT	SLIDE LENGTH	A	B	C	WEIGHT
FW31B712XL00	7.1"	12"	31"	8°	8°	424 lbs.
FW31B724XL00	7.1"	24"	43"	8°	8°	452 lbs.
FW31B736XL00	7.1"	36"	55"	8°	8°	480 lbs.
FW31B748XL00	7.1"	48"	67"	8°	8°	508 lbs.
FW31B812XL00	8.1"	12"	31"	12°	10°	429 lbs.
FW31B824XL00	8.1"	24"	43"	12°	10°	457 lbs.
FW31B836XL00	8.1"	36"	55"	12°	10°	485 lbs.
FW31B848XL00	8.1"	48"	67"	12°	10°	513 lbs.
FW31B912XL00	9.1"	12"	31"	15°	12°	433 lbs.
FW31B924XL00	9.1"	24"	43"	15°	12°	461 lbs.
FW31B936XL00	9.1"	36"	55"	15°	12°	489 lbs.
FW31B948XL00	9.1"	48"	67"	15°	12°	517 lbs.

FW17 Stationary Foot Mount

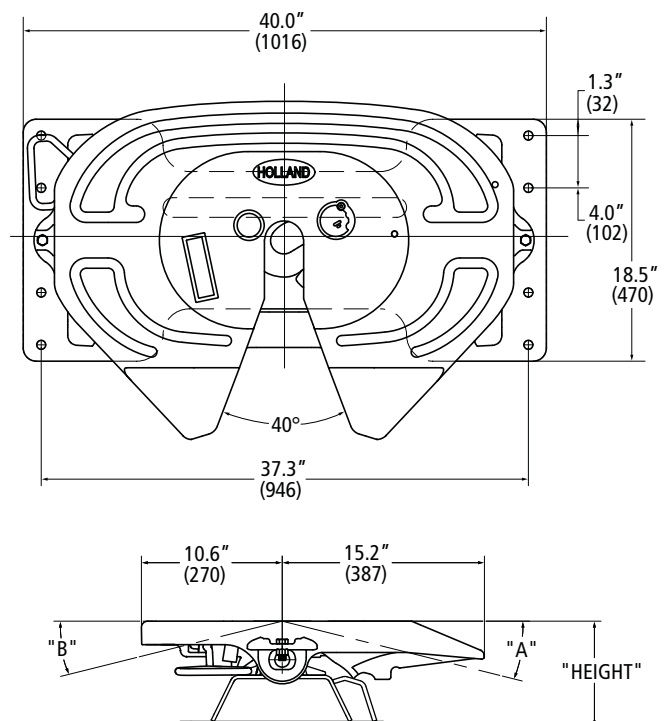
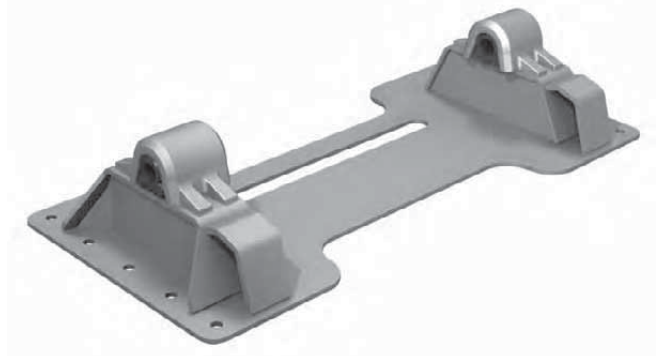


PART NUMBER	HEIGHT	A	B	WEIGHT
FW17Y600XL00	5.8"	8°	8°	272 lbs.
FW17Y700XL00	6.8"	11°	11°	278 lbs.
FW17Y800XL00	7.8"	14°	14°	283 lbs.
FW17Y900XL00	8.8"	17°	17°	288 lbs.

Corrugated Plate Option adds .9" to height.

A flat or corrugated mounting plate is required for foot mount brackets.

FW17 Stationary Integrated Plate Mount



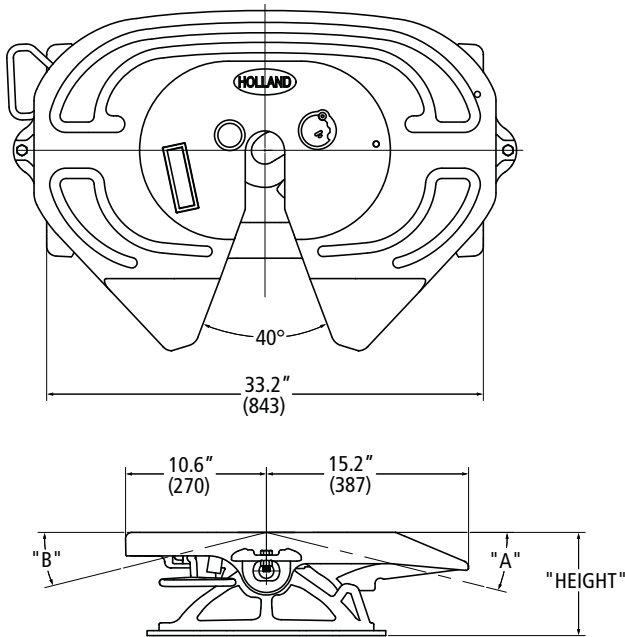
PART NUMBER	HEIGHT	A	B	WEIGHT
FW17Z600XL00	5.8"	8°	8°	288 lbs.
FW17Z700XL00	6.8"	11°	11°	296 lbs.
FW17Z800XL00	7.8"	14°	14°	303 lbs.
FW17Z900XL00	8.8"	17°	17°	299 lbs.



HOLLAND® Fifth Wheel – Assembly Dimensions

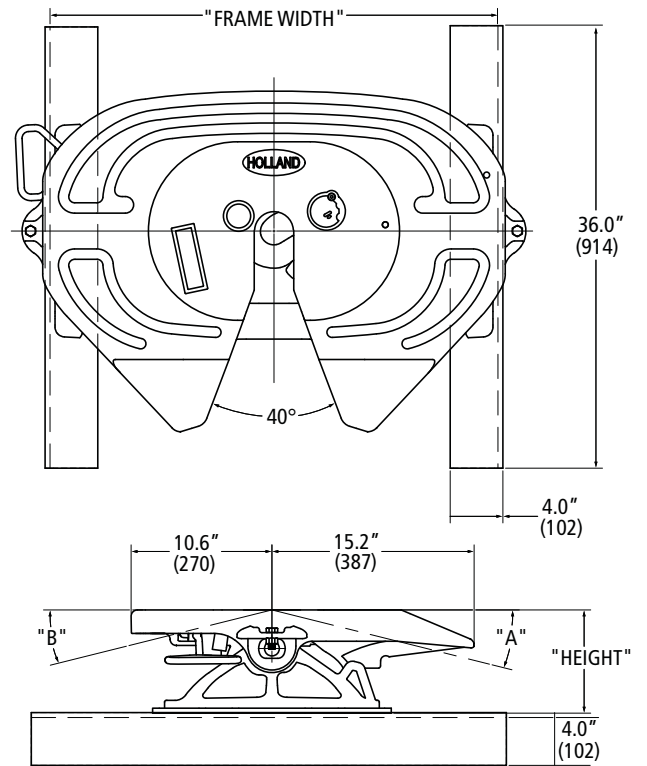
SAF-HOLLAND Group

FW17 Stationary Brackets for Angle Mounting



PART NUMBER	HEIGHT	A	B	WEIGHT
FW17X600XL00	5.4"	8°	8°	243 lbs.
FW17X700XL00	6.4"	11°	11°	249 lbs.
FW17X800XL00	7.4"	14°	14°	254 lbs.
FW17X900XL00	8.4"	17°	17°	259 lbs.

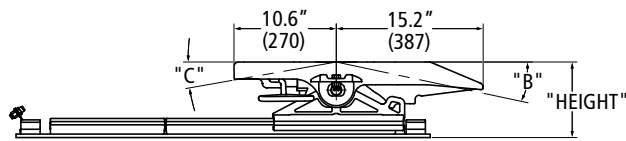
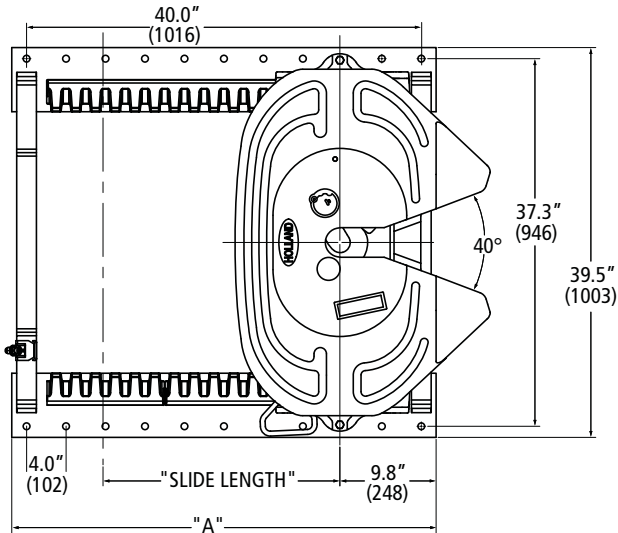
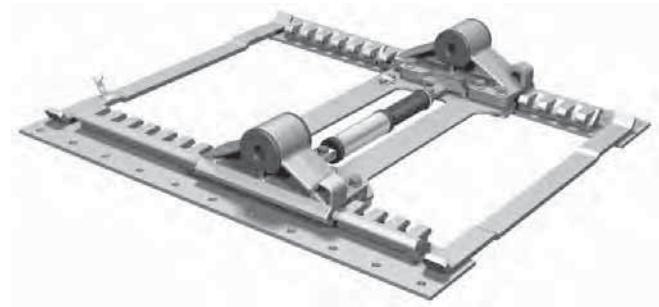
FW17 Stationary Brackets with Angle Mounting



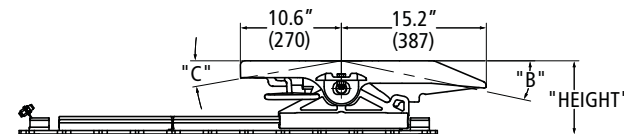
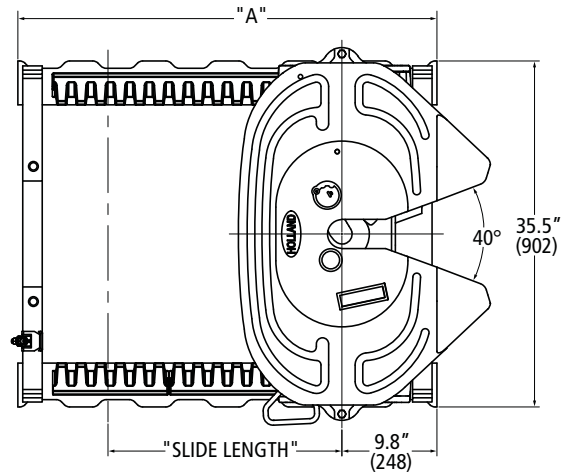
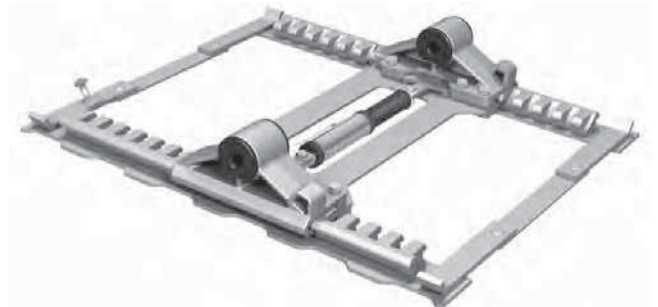
PART NUMBER	HEIGHT	A	B	WEIGHT
FW17W600GL00	5.8"	8°	8°	301 lbs.
FW17W700GL00	6.8"	11°	11°	307 lbs.
FW17W800GL00	7.8"	14°	14°	312 lbs.
FW17W900GL00	8.8"	17°	17°	317 lbs.

FRAME WIDTH	CODE	FRAME WIDTH	CODE	FRAME WIDTH	CODE
33.25"	A	33.75"	E	34.25"	J
33.38"	B	33.88"	F	34.38"	K
33.50"	C	34.00"	G	34.50"	L
33.62"	D	34.12"	H		

FW17 ILS™ Outboard Sliding Mount



FW17 ILS™ Inboard Sliding Mount



PART NUMBER	HEIGHT	SLIDE LENGTH	A	B	C	WEIGHT
FW17A712XL00	6.8"	12"	31"	8°	8°	390 lbs.
FW17A724XL00	6.8"	24"	43"	8°	8°	423 lbs.
FW17A736XL00	6.8"	36"	55"	8°	8°	457 lbs.
FW17A748XL00	6.8"	48"	67"	8°	8°	490 lbs.
FW17A812XL00	7.8"	12"	31"	12°	10°	394 lbs.
FW17A824XL00	7.8"	24"	43"	12°	10°	428 lbs.
FW17A836XL00	7.8"	36"	55"	12°	10°	462 lbs.
FW17A848XL00	7.8"	48"	67"	12°	10°	495 lbs.
FW17A912XL00	8.8"	12"	31"	15°	12°	398 lbs.
FW17A924XL00	8.8"	24"	43"	15°	12°	432 lbs.
FW17A936XL00	8.8"	36"	55"	15°	12°	465 lbs.
FW17A948XL00	8.8"	48"	67"	15°	12°	499 lbs.

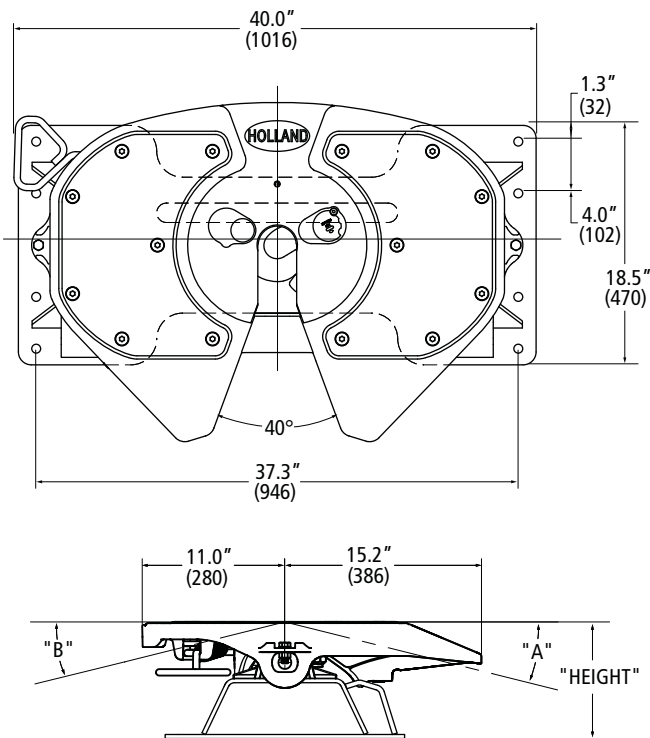
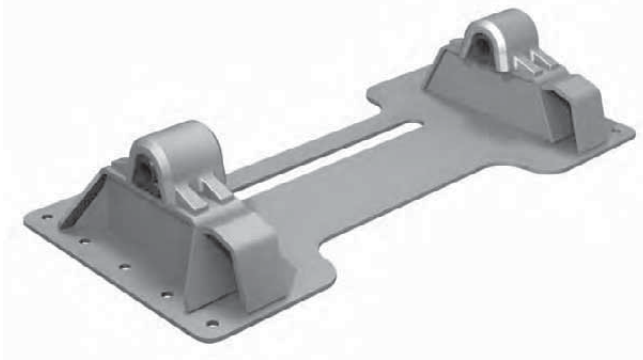
PART NUMBER	HEIGHT	SLIDE LENGTH	A	B	C	WEIGHT
FW17B712XL00	6.8"	12"	31"	8°	8°	375 lbs.
FW17B724XL00	6.8"	24"	43"	8°	8°	403 lbs.
FW17B736XL00	6.8"	36"	55"	8°	8°	431 lbs.
FW17B748XL00	6.8"	48"	67"	8°	8°	459 lbs.
FW17B812XL00	7.8"	12"	31"	12°	10°	380 lbs.
FW17B824XL00	7.8"	24"	43"	12°	10°	408 lbs.
FW17B836XL00	7.8"	36"	55"	12°	10°	436 lbs.
FW17B848XL00	7.8"	48"	67"	12°	10°	464 lbs.
FW17B912XL00	8.8"	12"	31"	15°	12°	384 lbs.
FW17B924XL00	8.8"	24"	43"	15°	12°	412 lbs.
FW17B936XL00	8.8"	36"	55"	15°	12°	440 lbs.
FW17B948XL00	8.8"	48"	67"	15°	12°	468 lbs.



HOLLAND® Fifth Wheel – Assembly Dimensions

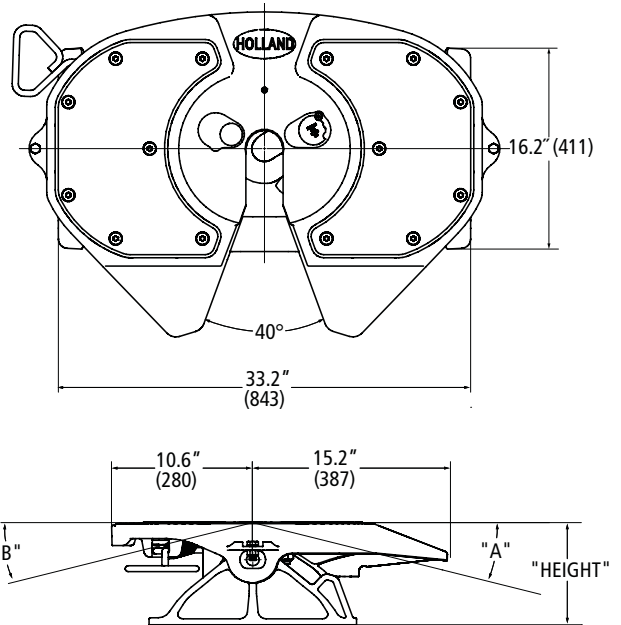
SAF-HOLLAND Group

FW16 Stationary Integrated Plate Mount



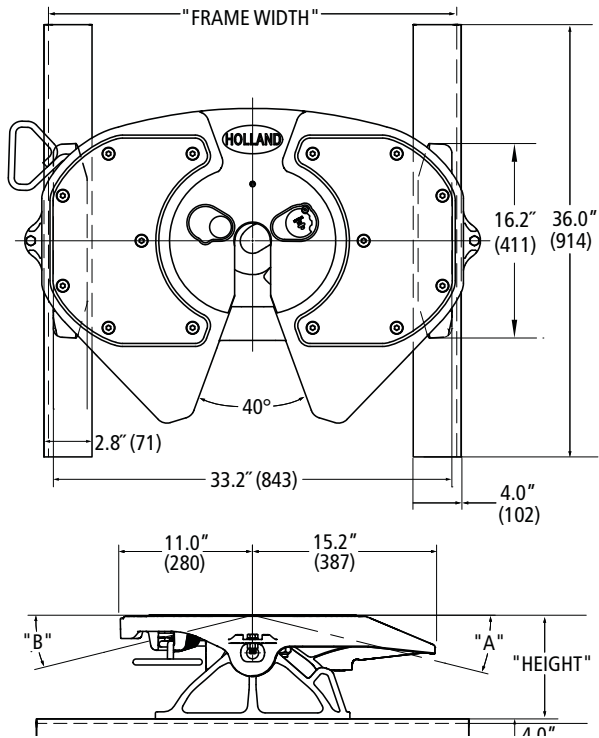
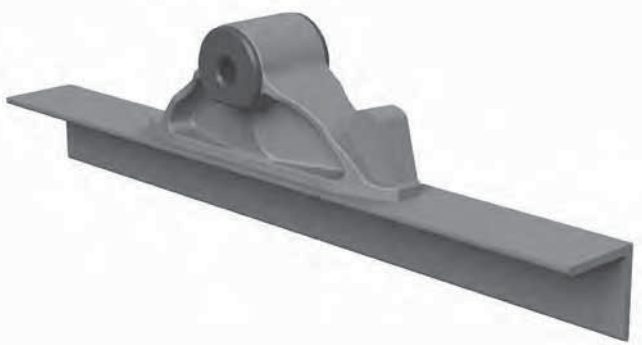
PART NUMBER	HEIGHT	A	B	WEIGHT
FW16Z600XL00	6.0"	8°	8°	284 lbs.
FW16Z700XL00	7.0"	11°	11°	292 lbs.
FW16Z800XL00	8.0"	14°	14°	299 lbs.
FW16Z900XL00	9.0"	17°	17°	295 lbs.

FW16 Stationary Brackets for Angle Mounting



PART NUMBER	HEIGHT	A	B	WEIGHT
FW16X600XL00	5.6"	8°	8°	239 lbs.
FW16X700XL00	6.6"	11°	11°	245 lbs.
FW16X800XL00	7.6"	14°	14°	250 lbs.
FW16X900XL00	8.6"	17°	17°	255 lbs.

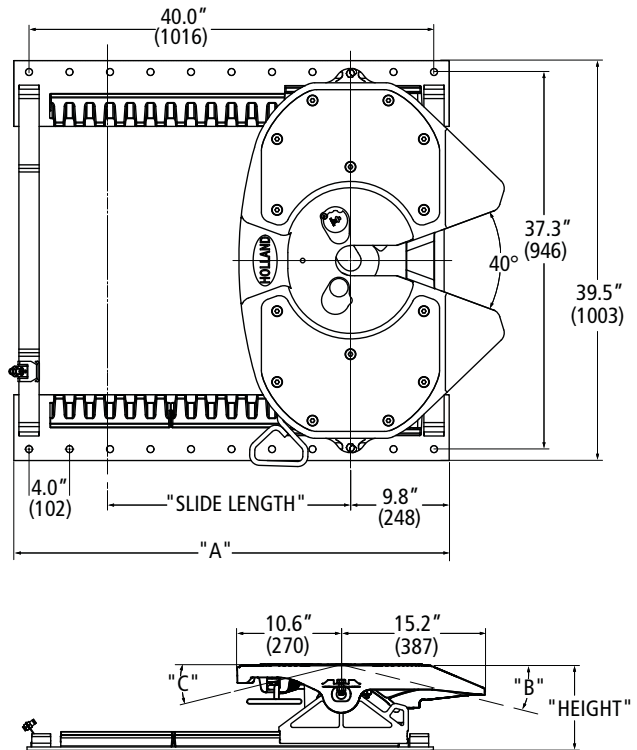
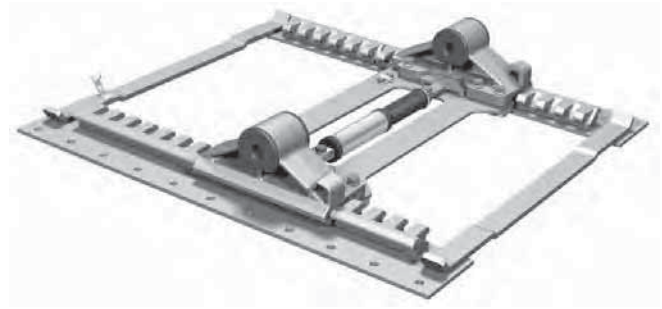
FW16 Stationary Brackets with Angle Mounting



PART NUMBER	HEIGHT	A	B	WEIGHT
FW16W600GL00	6.0"	8°	8°	297 lbs.
FW16W700GL00	7.0"	11°	11°	303 lbs.
FW16W800GL00	8.0"	14°	14°	308 lbs.
FW16W900GL00	9.0"	17°	17°	313 lbs.

FRAME WIDTH	CODE	FRAME WIDTH	CODE	FRAME WIDTH	CODE
33.25"	A	33.75"	E	34.25"	J
33.38"	B	33.88"	F	34.38"	K
33.50"	C	34.00"	G	34.50"	L
33.62"	D	34.12"	H		

FW16 ILS™ Outboard Sliding Mount

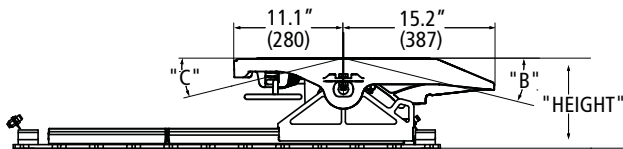
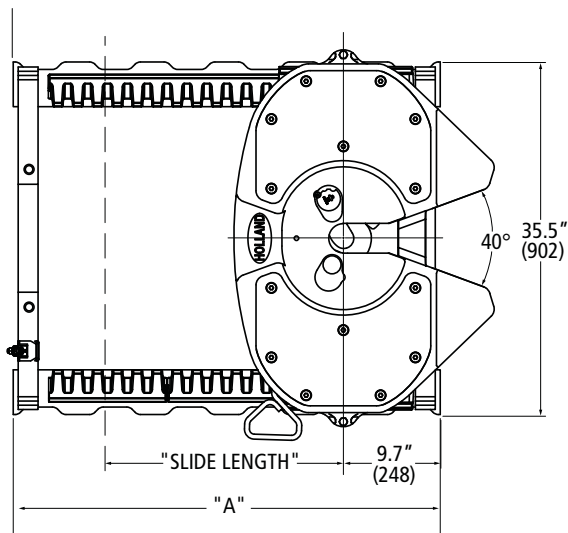
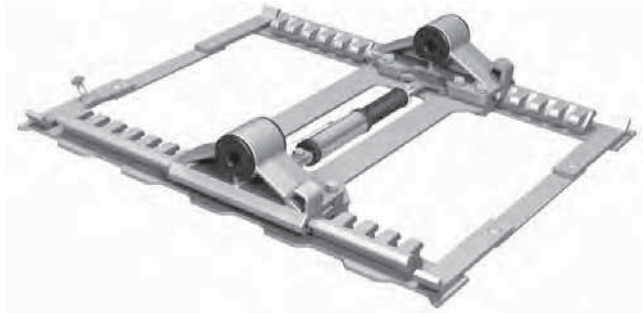


PART NUMBER	HEIGHT	SLIDE LENGTH	A	B	C	WEIGHT
FW16A712XL00	7.1"	12"	31"	8°	8°	386 lbs.
FW16A724XL00	7.1"	24"	43"	8°	8°	419 lbs.
FW16A736XL00	7.1"	36"	55"	8°	8°	453 lbs.
FW16A748XL00	7.1"	48"	67"	8°	8°	486 lbs.
FW16A812XL00	8.1"	12"	31"	12°	10°	390 lbs.
FW16A824XL00	8.1"	24"	43"	12°	10°	424 lbs.
FW16A836XL00	8.1"	36"	55"	12°	10°	458 lbs.
FW16A848XL00	8.1"	48"	67"	12°	10°	491 lbs.
FW16A912XL00	9.1"	12"	31"	15°	12°	394 lbs.
FW16A924XL00	9.1"	24"	43"	15°	12°	428 lbs.
FW16A936XL00	9.1"	36"	55"	15°	12°	461 lbs.
FW16A948XL00	9.1"	48"	67"	15°	12°	494 lbs.



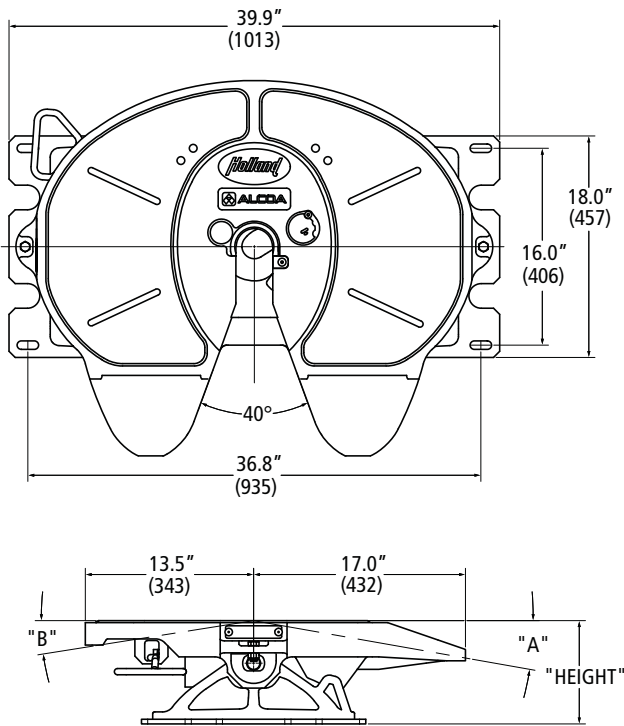
SAF-HOLLAND Group

FW16 ILS™ Inboard Sliding Mount



PART NUMBER	HEIGHT	SLIDE LENGTH	A	B	C	WEIGHT
FW16B712XL00	7.1"	12"	31"	8°	8°	371 lbs.
FW16B724XL00	7.1"	24"	43"	8°	8°	399 lbs.
FW16B736XL00	7.1"	36"	55"	8°	8°	427 lbs.
FW16B748XL00	7.1"	48"	67"	8°	8°	455 lbs.
FW16B812XL00	8.1"	12"	31"	12°	10°	376 lbs.
FW16B824XL00	8.1"	24"	43"	12°	10°	404 lbs.
FW16B836XL00	8.1"	36"	55"	12°	10°	432 lbs.
FW16B848XL00	8.1"	48"	67"	12°	10°	460 lbs.
FW16B912XL00	9.1"	12"	31"	15°	12°	380 lbs.
FW16B924XL00	9.1"	24"	43"	15°	12°	408 lbs.
FW16B936XL00	9.1"	36"	55"	15°	12°	436 lbs.
FW16B948XL00	9.1"	48"	67"	15°	12°	464 lbs.

FWAL Stationary Foot Mount

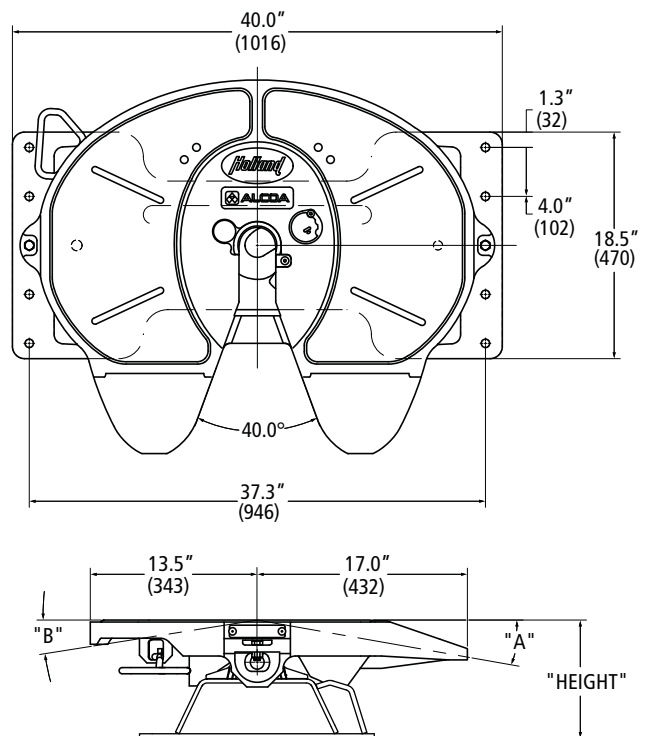
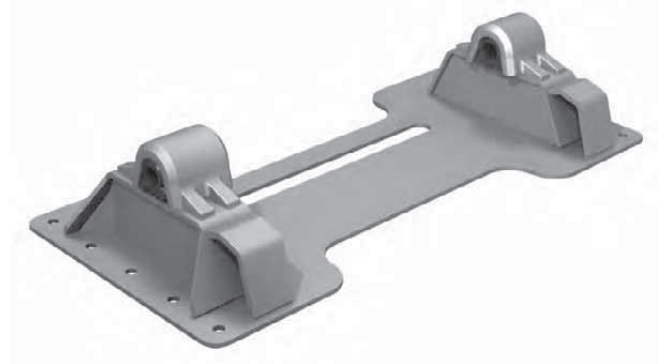


PART NUMBER	HEIGHT	A	B	WEIGHT
FWALY600XL00	6.3"	7°	7°	227 lbs.
FWALY700XL00	7.3"	8°	8°	233 lbs.
FWALY800XL00	8.3"	10°	9°	238 lbs.
FWALY900XL00	9.3"	14°	13°	243 lbs.

Corrugated Plate Option adds .9" to height.

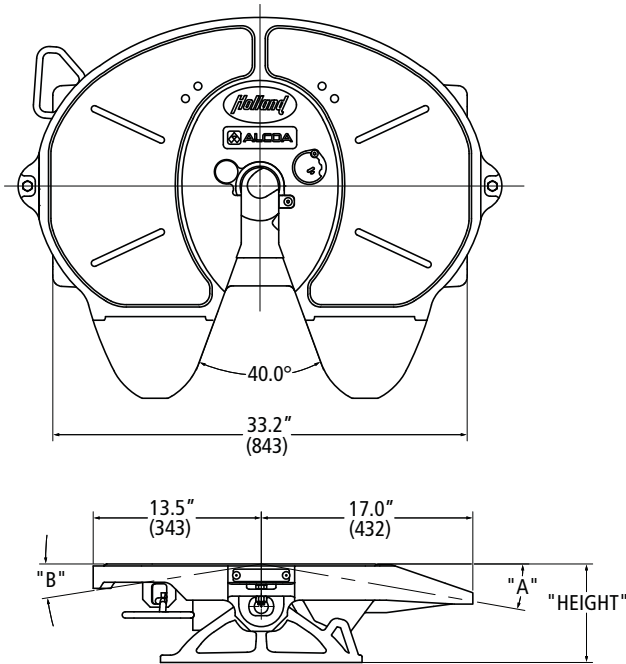
A flat or corrugated mounting plate is required for foot mount brackets.

FWAL Stationary Integrated Plate Mount



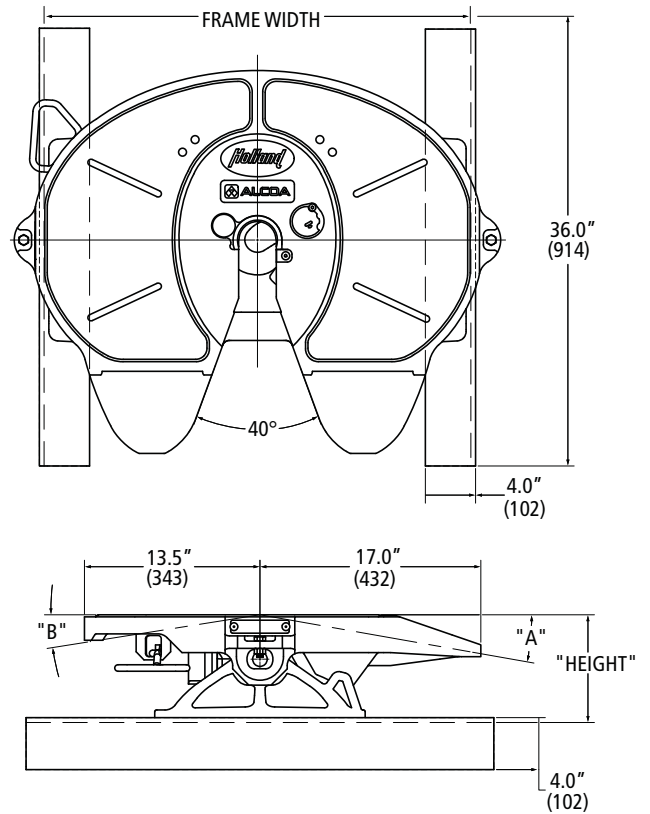
PART NUMBER	HEIGHT	A	B	WEIGHT
FWALZ600XL00	6.3"	7°	7°	243 lbs.
FWALZ700XL00	7.3"	8°	8°	251 lbs.
FWALZ800XL00	8.3"	10°	9°	258 lbs.
FWALZ900XL00	9.3"	14°	13°	254 lbs.

FWAL Stationary Brackets for Angle Mounting



PART NUMBER	HEIGHT	A	B	WEIGHT
FWALX600XL00	5.9"	7°	7°	198 lbs.
FWALX700XL00	6.9"	8°	8°	204 lbs.
FWALX800XL00	7.9"	10°	9°	209 lbs.
FWALX900XL00	8.9"	14°	13°	214 lbs.

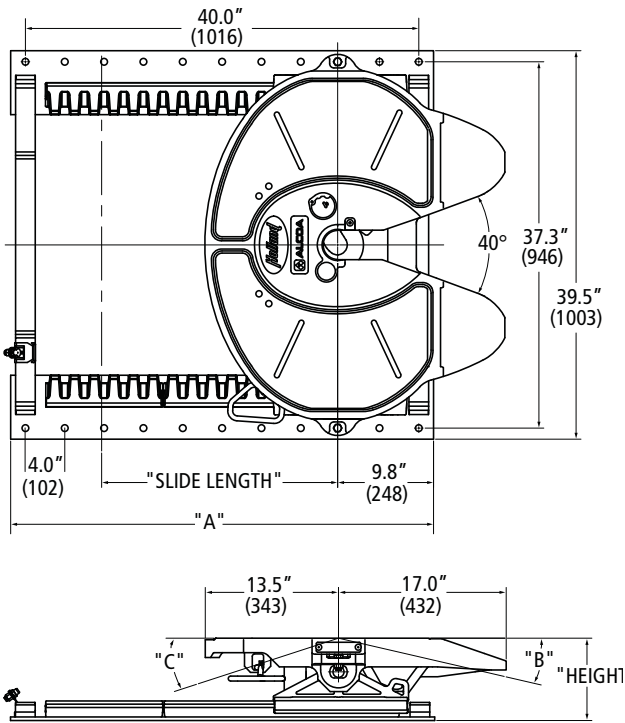
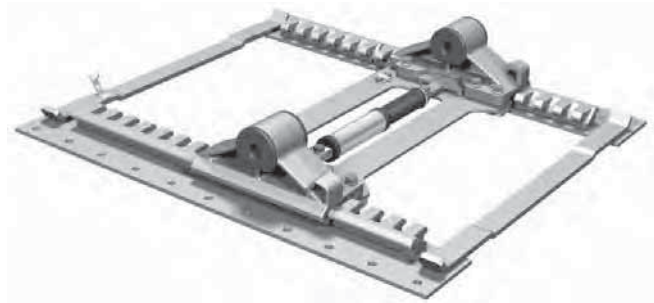
FWAL Stationary Brackets with Angle Mounting



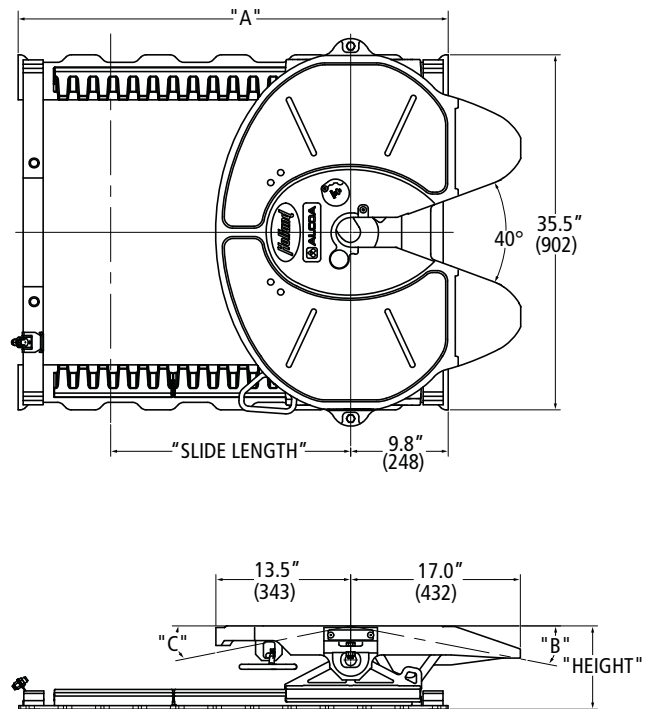
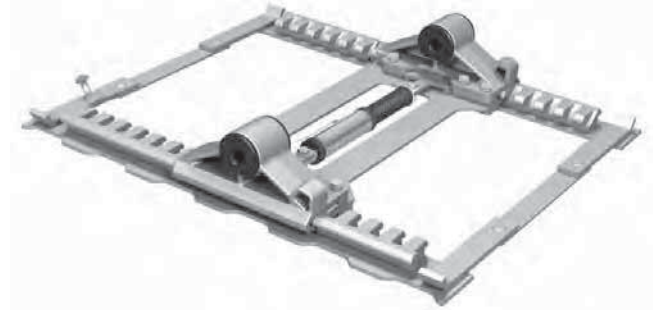
PART NUMBER	HEIGHT	A	B	WEIGHT
FWALW600GL00	6.3"	7°	7°	256 lbs.
FWALW700GL00	7.3"	8°	8°	262 lbs.
FWALW800GL00	8.3"	10°	9°	267 lbs.
FWALW900GL00	9.3"	14°	13°	272 lbs.

FRAME WIDTH	CODE	FRAME WIDTH	CODE	FRAME WIDTH	CODE
33.25"	A	33.75"	E	34.25"	J
33.38"	B	33.88"	F	34.38"	K
33.50"	C	34.00"	G	34.50"	L
33.62"	D	34.12"	H		

FWAL ILS™ Outboard Sliding Mount



FWAL ILS™ Inboard Sliding Mount



PART NUMBER	HEIGHT	SLIDE LENGTH	A	B	C	WEIGHT
FWALA712XL00	7.3"	12"	31"	8°	9°	345 lbs.
FWALA724XL00	7.3"	24"	43"	8°	9°	378 lbs.
FWALA736XL00	7.3"	36"	55"	8°	9°	412 lbs.
FWALA748XL00	7.3"	48"	67"	8°	9°	445 lbs.
FWALA812XL00	8.3"	12"	31"	13°	18°	349 lbs.
FWALA824XL00	8.3"	24"	43"	13°	18°	383 lbs.
FWALA836XL00	8.3"	36"	55"	13°	18°	417 lbs.
FWALA848XL00	8.3"	48"	67"	13°	18°	450 lbs.
FWALA912XL00	9.3"	12"	31"	15°	20°	353 lbs.
FWALA924XL00	9.3"	24"	43"	15°	20°	387 lbs.
FWALA936XL00	9.3"	36"	55"	15°	20°	420 lbs.
FWALA948XL00	9.3"	48"	67"	15°	20°	454 lbs.

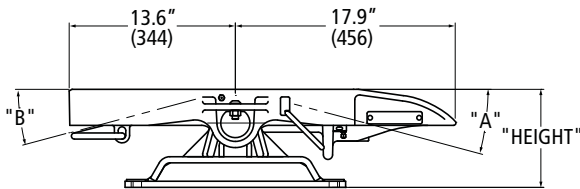
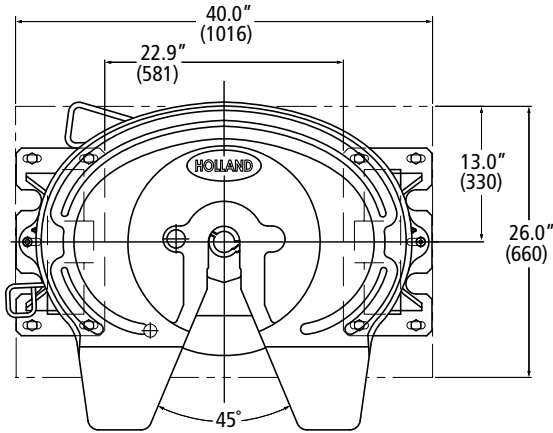
PART NUMBER	HEIGHT	SLIDE LENGTH	A	B	C	WEIGHT
FWALB712XL00	7.3"	12"	31"	8°	9°	330 lbs.
FWALB724XL00	7.3"	24"	43"	8°	9°	358 lbs.
FWALB736XL00	7.3"	36"	55"	8°	9°	386 lbs.
FWALB748XL00	7.3"	48"	67"	8°	9°	414 lbs.
FWALB812XL00	8.3"	12"	31"	13°	18°	335 lbs.
FWALB824XL00	8.3"	24"	43"	13°	18°	363 lbs.
FWALB836XL00	8.3"	36"	55"	13°	18°	391 lbs.
FWALB848XL00	8.3"	48"	67"	13°	18°	419 lbs.
FWALB912XL00	9.3"	12"	31"	15°	20°	339 lbs.
FWALB924XL00	9.3"	24"	43"	15°	20°	367 lbs.
FWALB936XL00	9.3"	36"	55"	15°	20°	395 lbs.
FWALB948XL00	9.3"	48"	67"	15°	20°	423 lbs.



HOLLAND® Fifth Wheel – Assembly Dimensions

SAF-HOLLAND Group

FW0070 Stationary Foot Mount

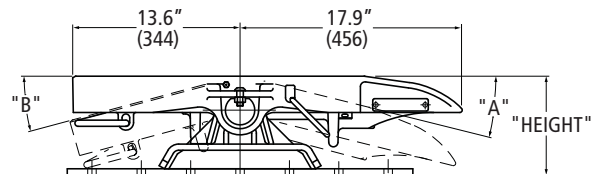
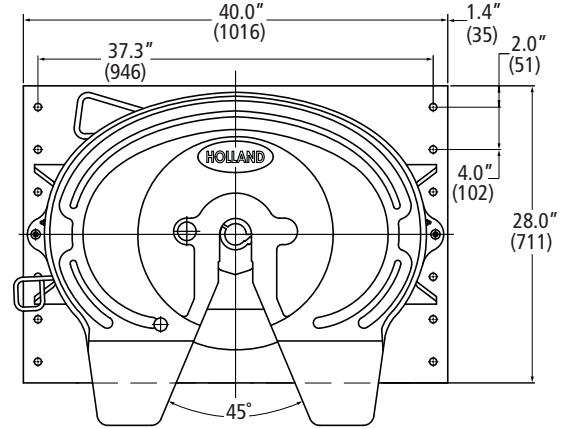
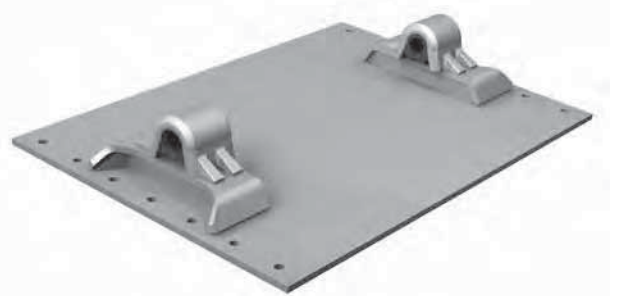


PART NUMBER	HEIGHT	A	B	WEIGHT
FW0070-7603XL	7.0"	10°	11°	412 lbs.
FW0070-7602XL	8.0"	15°	15°	419 lbs.
FW0070-7601XL	9.0"	15°	15°	421 lbs.

Corrugated Plate Option adds .9" to height.

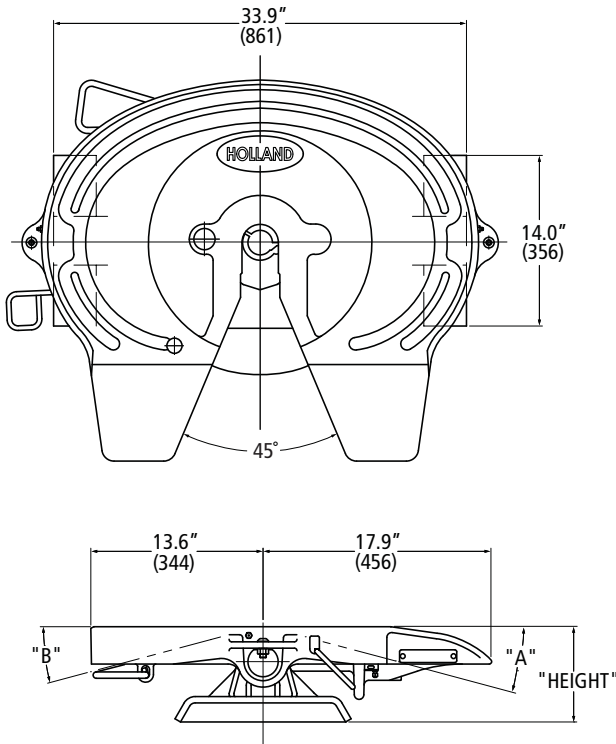
A flat or corrugated mounting plate is required for foot mount brackets.

FW0070 Stationary Integrated Plate Mount



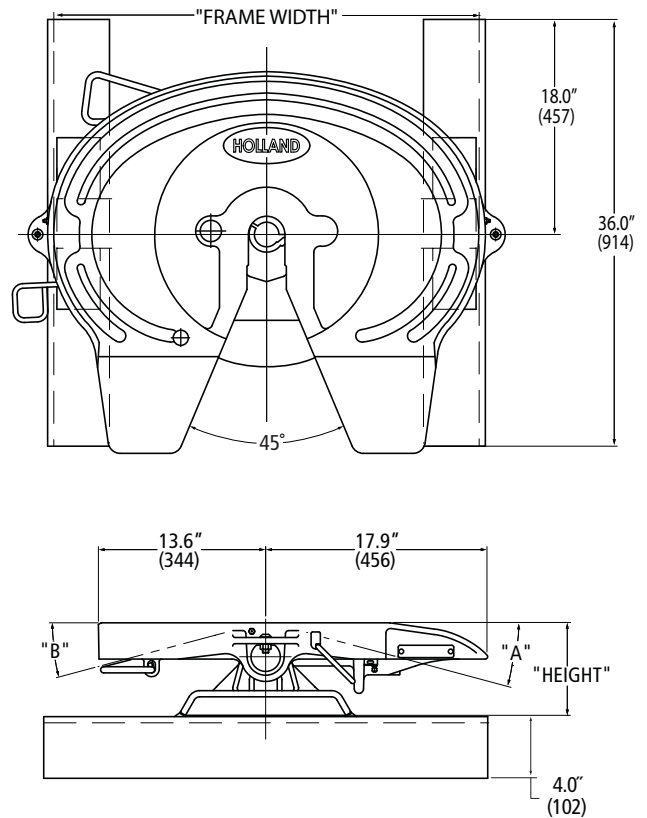
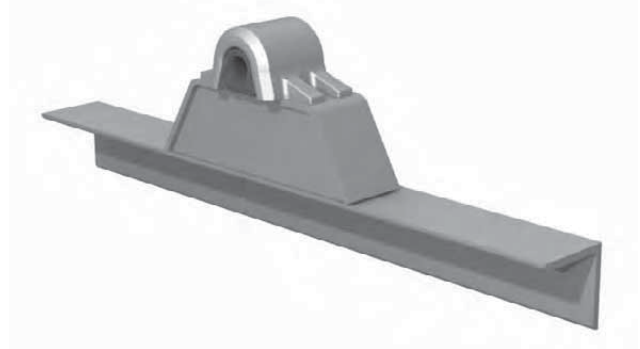
PART NUMBER	HEIGHT	A	B	WEIGHT
FW0070-7685XL	7.0"	10 °	6°	533 lbs.
FW0070-7684XL	8.0"	14°	15°	539 lbs.
FW0070-7683XL	9.0"	15°	15°	542 lbs.

FW0070 Stationary Brackets for Angle Mounting



PART NUMBER	HEIGHT	A	B	WEIGHT
FW0070-7623XL	6.5"	12°	11°	373 lbs.
FW0070-7622XL	7.5"	15°	15°	380 lbs.
FW0070-7621XL	8.5"	15°	15°	382 lbs.

FW0070 Stationary Brackets with Angle Mounting



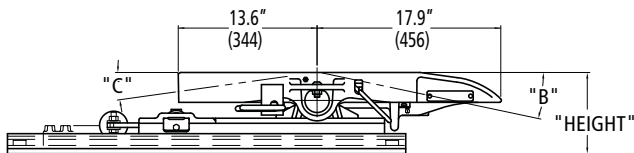
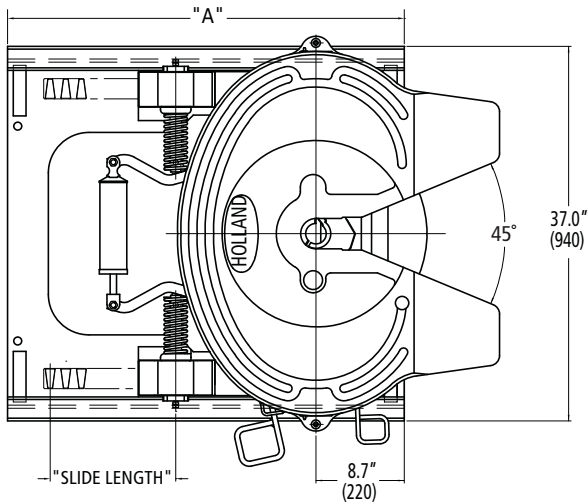
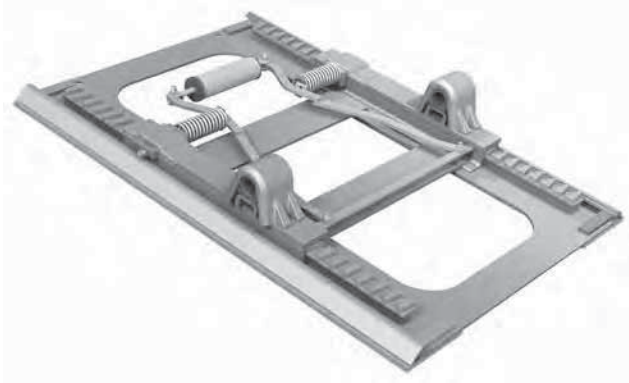
PART NUMBER	HEIGHT	A	B	WEIGHT
FW0070-7614GL	6.0"	8°	5°	441 lbs.
FW0070-7613GL	7.0"	12°	11°	450 lbs.
FW0070-7612GL	8.0"	15°	15°	457 lbs.
FW0070-7611GL	9.0"	15°	15°	459 lbs.

FRAME WIDTH	CODE	FRAME WIDTH	CODE	FRAME WIDTH	CODE
33.25"	A	33.75"	E	34.25"	J
33.38"	B	33.88"	F	34.38"	K
33.50"	C	34.00"	G	34.50"	L
33.62"	D	34.12"	H		



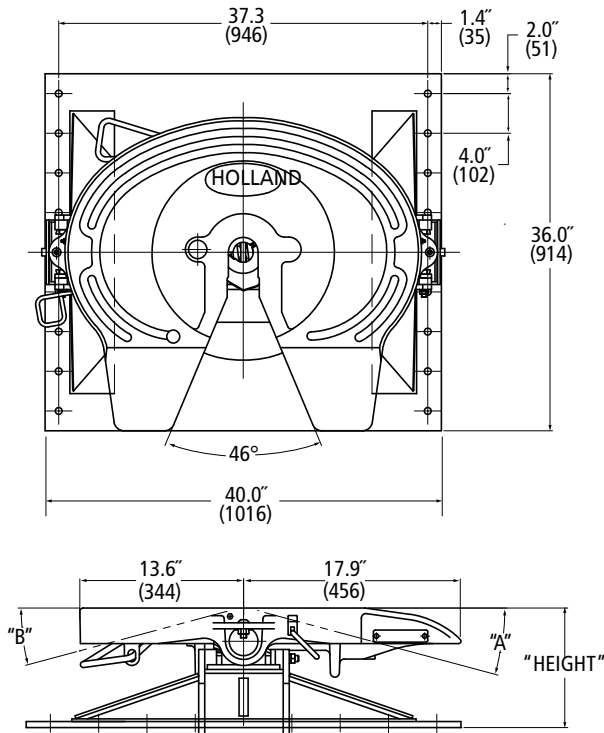
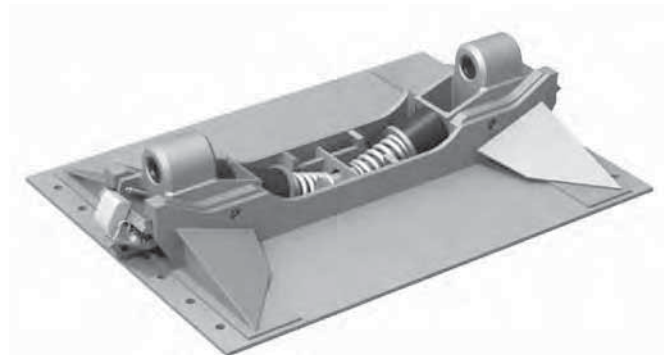
SAF-HOLLAND Group

FW2570 Inboard Sliding Mount



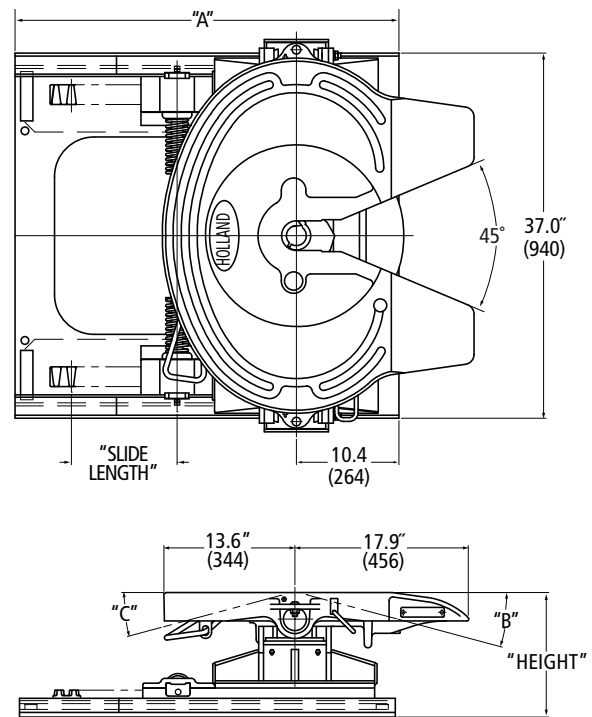
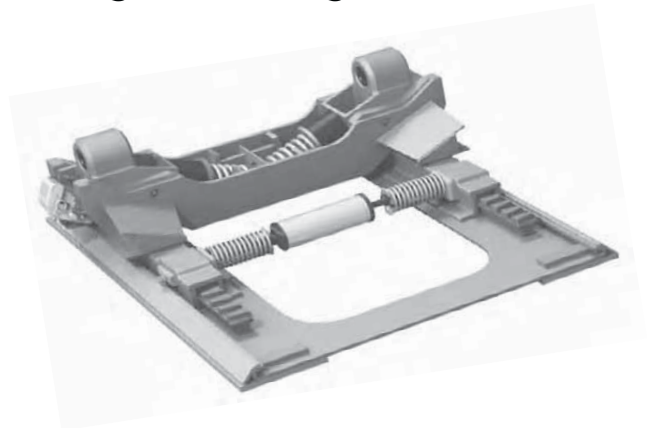
PART NUMBER	HEIGHT	SLIDE LENGTH	A	B	C	WEIGHT
FW2570-7103X1L	8.0"	10.7"	38.9"	12°	8°	850 lbs.
FW2570-7103X2L	8.0"	16.8"	45.0"	12°	8°	870 lbs.
FW2570-7103Z3L	8.0"	24.5"	52.6"	12°	8°	890 lbs.
FW2570-7103X4L	8.0"	41.3"	69.5"	12°	8°	930 lbs.
FW2570-7103X5L	8.0"	53.6"	82.0"	12°	8°	970 lbs.
FW2570-7103X6L	8.0"	65.8"	94.0"	12°	8°	1010 lbs.
FW2570-7102X1L	9.0"	10.8"	38.9"	17°	10°	855 lbs.
FW2570-7102X2L	9.0"	16.8"	45.0"	17°	10°	875 lbs.
FW2570-7102Z3L	9.0"	24.5"	52.6"	17°	10°	895 lbs.
FW2570-7102X4L	9.0"	41.3"	69.5"	17°	10°	935 lbs.
FW2570-7102X5L	9.0"	53.6"	82.0"	17°	10°	975 lbs.
FW2570-7102X6L	9.0"	65.8"	94.0"	17°	10°	1015 lbs.

FW7040 Stationary KOMPENSATOR Outboard Mount



PART NUMBER	HEIGHT	A	B	WEIGHT
FW7040-7779XL	9.9"	15°	15°	749 lbs.
FW7040-7777XL	11.9"	19°	15°	821 lbs.
FW7040-7776XL	12.9"	15°	15°	836 lbs.

FW7090 Sliding KOMPENSATOR for Angle Mounting



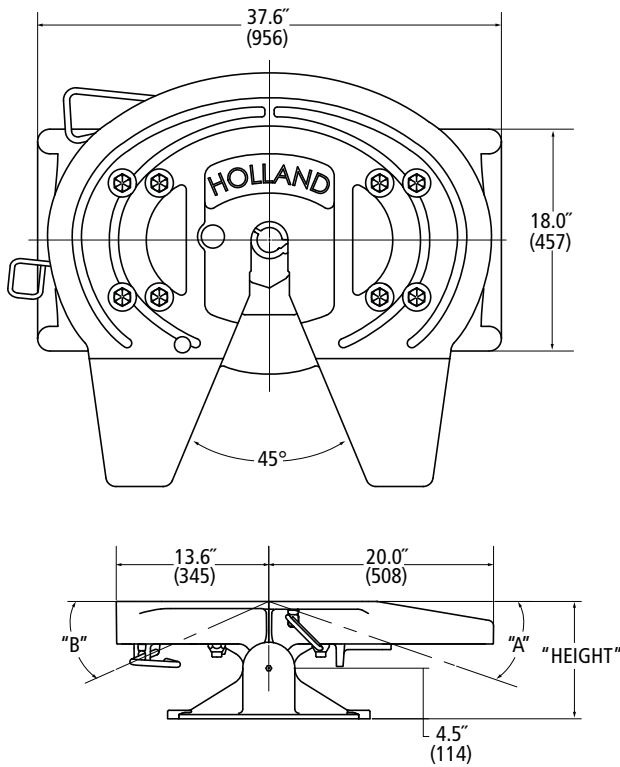
PART NUMBER	HEIGHT	SLIDE LENGTH	A	B	C	WEIGHT
FW7090-7251X1L	12.9"	10.7"	38.9"	15°	15°	910 lbs.
FW7090-7251X2L	12.9"	16.8"	45.0"	15°	15°	960 lbs.
FW7090-7251Z3L	12.9"	24.5"	52.6"	15°	15°	1005 lbs.
FW7090-7251X4L	12.9"	41.3"	69.5"	15°	15°	1105 lbs.
FW7090-7251X5L	12.9"	53.6"	82.0"	15°	15°	1205 lbs.
FW7090-7251X6L	12.9"	65.8"	94.0"	15°	15°	1305 lbs.



HOLLAND® Fifth Wheel – Assembly Dimensions

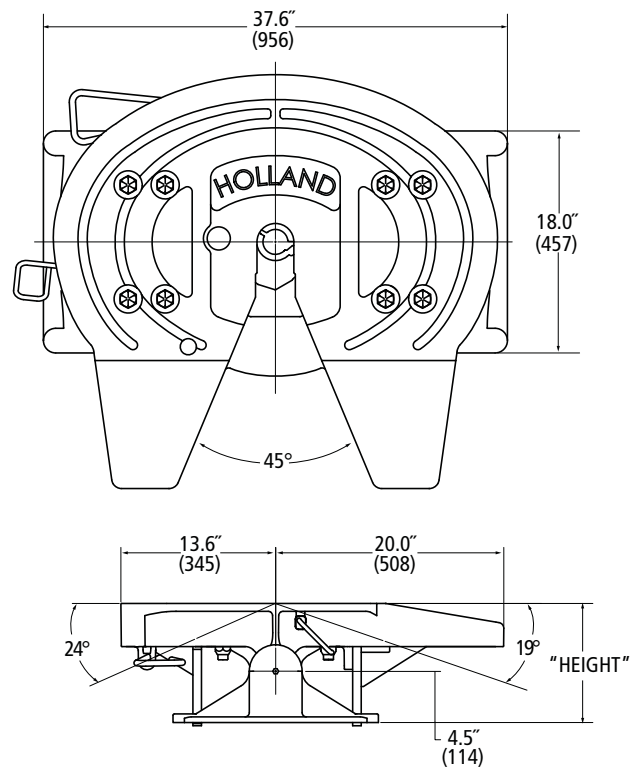
SAF-HOLLAND Group

FW0100 Stationary Mount



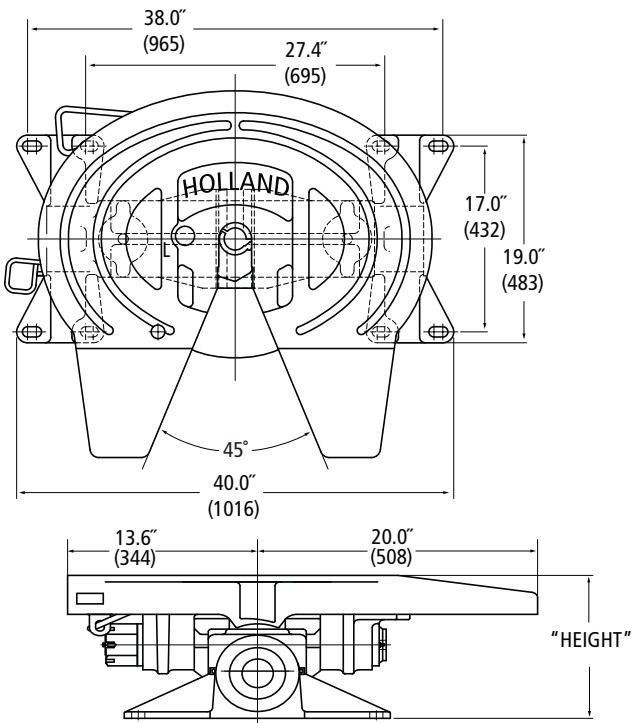
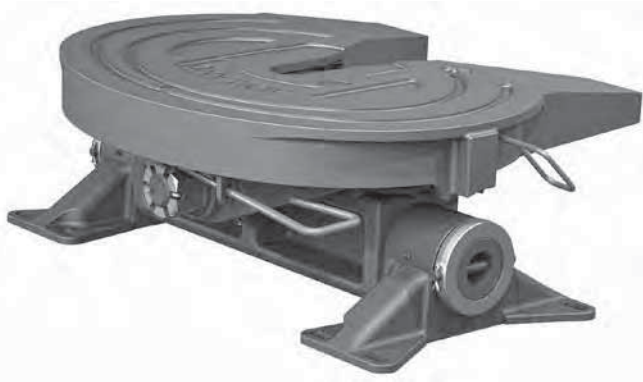
PART NUMBER	HEIGHT	A	B	WEIGHT
FW0100-DC	9.0"	15°	16°	590 lbs.
FW0100-D	10.5"	19°	24°	595 lbs.

FW0165 Stationary Mount



PART NUMBER	HEIGHT	WEIGHT
FW0165-0091-1	10.5"	650 lbs.

FW2080 Stationary Mount



PART NUMBER	HEIGHT	WEIGHT
FW2080-D	13.6"	860 lbs.



SAF-HOLLAND Group

GLOSSARY



Articulation

Rotation about an axis. Generally referring to the fore/aft rotational movement between the fifth wheel and its mounting (See "Oscillation").

A-Train

A combination of two or more trailers in which the dolly (converter or turntable) is connected by a single pintle hook or coupler, and the drawbar connection is at the center between each vehicle. The resulting connection has two pivot points. (Figure 1).

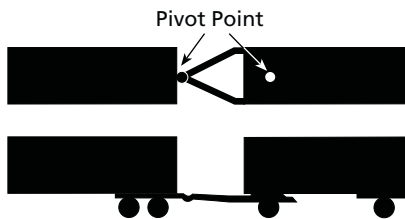


Figure 1

Air Operated Lock Release

The release mechanism for opening the lock mechanism of the fifth wheel which is operated from the cab of a tractor. The driver sets the tractor parking brake to activate the system. The driver then pulls the air control valve switch to activate a pneumatic cylinder on the fifth wheel to open the locks.

Air Slide Release

The release mechanism for a sliding fifth wheel which is operated from the cab of a tractor by actuating an air control valve. When actuated, the valve energizes an air cylinder, which releases the slide lock and permits re-positioning of the fifth wheel.

Articulating Upper Coupler

A bolster plate – kingpin arrangement that is not rigidly attached to the trailer, but provides articulation and/or oscillation (e.g. frameless dump) about an axis parallel to the rear axle of the trailer.

Axles, Numbering

When used in this guide to select a fifth wheel, the number of axles (for example, "Up to 4-axle trains") refers to the total number of axles on the "towed vehicle(s)" or trailer(s). It does not include the axles on the towing vehicle.

B-Train

A combination of two or more trailers in which the rear semi-trailer(s) is connected with a single pivot point, commonly a fifth wheel, mounted on an extension of the frame of the lead trailer. (Figure 2).

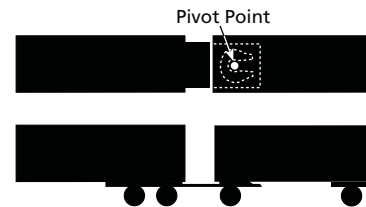


Figure 2

Bogie

The axle spring, suspension arrangement on the rear of a tandem axle tractor.

Bolster Plate

The flat, load-bearing surface under the front of a semi-trailer, including the kingpin, which rests firmly upon the fifth wheel when coupled. The bolster plate is sometimes referred to as an upper coupler.

Bolster Plate Height

The height from the ground to the bolster plate when the trailer is level and unladen.

C-Train

A combination of two or more trailers in which the dolly (converter or turntable) is connected to the trailer by means of two pintle hook or coupler-drawbar connections. The resulting connection has one pivot point. (See also "B Train")

Center-of-Gravity (c.g.)

That point in a vehicle or body where the total weight or mass could be considered to be concentrated. Used in conjunction with vehicle stability and weight distribution on its axles.

City Pick-up and Delivery

Pick-up and delivery service within cities and/or suburban areas with typical distance between starts and stops of 3 miles or less.

Converter Dolly

An axle, frame, drawbar and fifth wheel arrangement that converts a semi-trailer into a full trailer.

Drawbar Capacity

The maximum, horizontal pulling force that can be safely applied to a coupling device.

Electronic Lock Indicator (ELI™)

Electronic monitoring and data collection system that monitors the coupling process from inside the cab. Magnetic proximity sensors located on the fifth wheel top plate senses fifth wheel and kingpin locking sequence, relaying the data to the driver through an icon based display in the cab.

Extra Capacity

Generally refers to a coupling device which has strength capability greater than standard.

Fifth Wheel Height

The distance from the ground to the top of the fifth wheel when it is level and parallel with the ground. It can also refer to the height from the tractor frame to the top of the fifth wheel. The latter definition applies to data given in fifth wheel literature.

Fifth Wheel Top Plate

The portion of the fifth wheel assembly that contacts the trailer bolster plate and houses the locking mechanism that connects to the kingpin.

Frame Width

The measurement across the outside of the frame rails of a tractor, truck or trailer. (Figure 3).

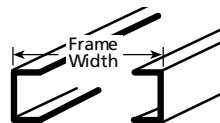


Figure 3

Full Trailer

A trailer which does not transfer load to the towing vehicle. It employs a towbar coupled to a swiveling or steerable running gear assembly at the front of the trailer.

Fully Oscillating Fifth Wheel

Generally refers to a fifth wheel type with fore/aft and side-to-side articulation. (See "Oscillation")

G.T.W. – Gross Trailer Weight or Gross Towed Weight

The sum of the weight of an empty trailer(s) and its payload.

General Over-the-Road Use

When used in this guide means, a fifth wheel that is designed for multiple standard duty highway applications.

ILS™

Integrated Low Weight Slider Mounting System

Inboard Angle Mount

The horizontal leg of the mounting angle sits on the tractor frame. (Figure 4).

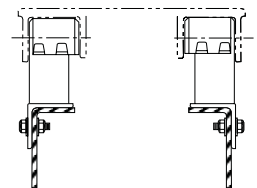


Figure 4

Kingpin

The pin mounted through the center of the trailer upper coupler (bolster plate) that mates with the fifth wheel locks securing the trailer to the fifth wheel. The configuration is controlled by industry standards. See SAE J700 and SAE J848.

Kompensator® Mounting Base

A mounting base designed to relieve some of the torque and twist that is generated by some trailer designs, thereby reducing or eliminating trailer frame cracks. Tractor tandem tire life is also greatly increased due to improved traction. The primary application for a Kompensator® mounted fifth wheel is for tankers in which the c.g. does not exceed 44 inches above the top surface of the fifth wheel.

LowLube

A fifth wheel with recesses cast into the top plate into which lube free inserts are attached to eliminate the use of top plate grease. Also includes lube free inserts between top plate and brackets to eliminate lubrication.

Mounting Bracket

That portion of the fifth wheel assembly that connects the fifth wheel top plate to the tractor frame or fifth wheel mounting system.

No-Tilt Convertible Fifth Wheel

A fifth wheel that has fore/aft articulation which can be locked out to produce a rigid top plate for applications that have either rigid and/or articulating upper couplers.

NoLube™

A fifth wheel with recesses cast into the top plate into which lube free inserts are attached to eliminate the use of top plate grease. The entire locking system is treated with special coatings that eliminate grease requirements. Also includes lube free inserts between the top plate and brackets to eliminate lubrication in the bracket pocket area.

Off-Road

Refers to the terrain on which a tractor-trailer operates which is unpaved and rough, or ungraded. Any terrain not considered part of the public highway system falls under this heading.

On-Road

Refers to the terrain on which a tractor-trailer operates which is paved or a smooth graded surface, generally considered to be part of the public highway system.

Oscillation

Rotational movement in either fore/aft or side-to-side direction about a pivot point. Generally refers to fifth wheel designs in which fore/aft and side-to-side articulation are provided.

Outboard Angle Mount

The horizontal leg of the mounting angle faces outward. (Figure 5).

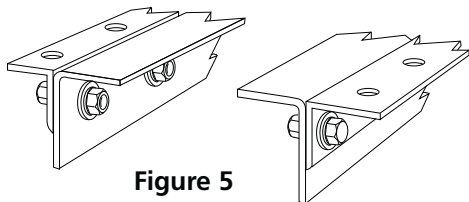


Figure 5

Rated Capacity

The maximum, recommended safe load that can be sustained by a component or assembly without permanent damage.

Rigid Fifth Wheel

A fifth wheel that is fixed rigidly to a frame. This fifth wheel has no articulation or oscillation. Generally used in applications where the articulation is provided by other means, e.g., an articulating upper coupler of a frameless dump.

Roll Axis

The theoretical line that joins the roll center of the front and rear axles.

Roll Center

The instant (always changing) center about which the vehicle sprung mass rotates when lateral (rollover) forces are applied. Generally this is located at the fore/aft center of the suspension at a height where the springs attach to the frame links. (Figure 6).

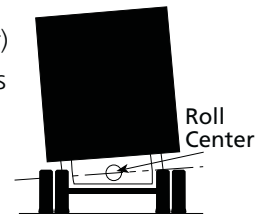


Figure 6

Secondary Lock

Refers to a component or components of a fifth wheel locking mechanism that may be included as a back-up system for the primary locks. The secondary lock is not required for the fifth wheel to function and can be either manually or automatically applied. On some designs, the engagement of the secondary lock can only be accomplished if the primary lock is properly engaged.

Semi-Trailer

A load carrying vehicle equipped with one or more axles and constructed so that its front end is supported on the fifth wheel of the truck tractor which pulls it.

Sliding Fifth Wheel

A specialized fifth wheel design which incorporates provisions to readily relocate the kingpin center forward and rearward affecting the weight distribution on the tractor axles and/or overall length of the tractor and trailer.

Slide Travel

The distance that a sliding fifth wheel is designed to move.

Stability

A relative measure of the handling characteristics which provide the desired and safe operation of the vehicle during various maneuvers.

Stationary Fifth Wheel

A fifth wheel whose location on the tractor frame is fixed once it is installed.

Tilt Stop

A block or formed plate welded to a fifth wheel mounting bracket that limits the rearward articulation of the fifth wheel. Tilt stops are often used to keep the fifth wheel from resting on or damaging the tractor frame rails.

TTMA

Truck Trailer Manufacturers Association
1020 Princess Street, Alexandria, VA 22314-2247
Phone: (703) 549-3010 Fax: (703) 549-3014

TVW (Towed Vehicle Weight)

Total weight of towed vehicles.

Torque and Twist

Generally refers to the forces developed in the trailer and/or tractor frame that are transmitted through the fifth wheel when a rigid trailer (e.g. a tanker) is required to negotiate bumps (i.e. street curbs, etc.).

Torsional Rigidity

A component's ability to remain rigid when subjected to twisting forces.

Universal Fifth Wheel

(See "Fully Oscillating Fifth Wheel")

Upper Coupler

(See "Bolster Plate")

Vertical Load Capacity

The maximum, recommended vertical force (down) than can be safely applied to a coupling device.



They're called "Original Parts" for a reason!
Why trust anything else?



ORIGINAL PARTS™



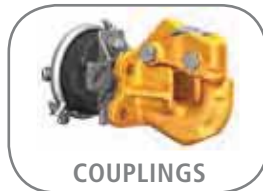
FIFTH WHEELS



SUSPENSIONS



LANDING GEAR



COUPLINGS



LIFTGATES

Service parts for HOLLAND, SAF, NEWAY, and former Binkley, Simplex, and TruckMaster Products.

From fifth wheel rebuild kits to suspension bushing repair kits, SAF-HOLLAND Original Parts are the same quality components used in the original component assembly. SAF-HOLLAND Original Parts are tested and designed to provide maximum performance and durability. Will-fits, look-alikes or worse yet counterfeit parts will only limit the performance potential and could possibly void SAF-HOLLAND's warranty. Always be sure to spec SAF-HOLLAND Original Parts when servicing your SAF-HOLLAND product.



We stand for quality and safety at **SAF-HOLLAND**. With our high-efficiency components, systems and services for trucks and trailers, we offer you the solution you've been looking for. As the preferred original equipment manufacturer for the commercial vehicle industry and partner to transport companies worldwide, your needs are at the center of everything we do. Three established brands are key to our success:



TRAILER AXLES AND SUSPENSION SYSTEMS

Innovative, fleet-optimized, trailer axle, braking and suspension systems that maximize operating efficiencies.



COUPLING AND LIFTING TECHNOLOGIES

Reliable, fleet-trusted solutions for safe and easy coupling and lifting operations as a result of cutting-edge technologies and global expertise.



POWERED VEHICLE SUSPENSIONS

Tough, fleet-proven air suspensions that provide extreme-duty performance for powered vehicles through advanced engineering and field experience

Our product brands bring more than 100 years of experience to the road and are significant contributors of efficiency to the transport industry. With a team of over 3,000 employees and a worldwide network of over 9,000 service partners, we work continuously for your success and make sure you arrive safely at your destination. Because at SAF-HOLLAND, it's what we do best: **Engineering Your Road to Success.**

HIGHLY-EFFICIENT COMPONENTS AND SYSTEMS FOR TRUCK AND TRAILERS



EUROPE | NORTH AMERICA | SOUTH AMERICA | AFRICA | ASIA | AUSTRALIA

safholland.com

SAF-HOLLAND USA, Inc.
888.396.6501 Fax 800.356.3929

SAF-HOLLAND Canada Limited
519.537.3494 Fax 800.565.7753
Western Canada 604.574.7491 Fax 604.574.0244