

homage *collection*



Sonus faber

homage collection	
guarneri <i>memento</i>	6
amati <i>anniversario</i>	7
stradivari <i>homage</i>	8





guarneri *memento*



amati *anniversario*



stradivari *homage*



guarneri *memento*

A distanza di molti anni, ci riempie di orgoglio constatare che, così come il sommo Maestro liutaio Giuseppe Guarneri, detto del Gesù - a cui questo diffusore offre tributo - lasciò un segno indelebile nella storia della liuteria, grazie alla timbrica inconfondibile dei suoi violini, così il Guarneri, con la sua forma ispirata alla sagoma del liuto, ha rappresentato l'inizio di un modo completamente inedito di concepire il diffusore acustico.

Questa la genesi di Guarneri Memento - dal latino memini, meminisse: ricordo, ricordarsi, avere ben presente nella memoria - un diffusore sintesi di tradizione ed innovazione, creato con l'intento di offrire all'anima della musica l'opportunità di rivelarsi in tutta la sua magnifica coerenza, fluidità ed armonia. Un rinnovamento maturato riscoprendo i valori cardinali del suono Sonus faber.

Many years later, we are filled with pride to see that, just as the supreme Maestro of stringed instruments, Giuseppe Guarneri, known as 'del Gesù' - to whom this loudspeaker pays tribute - left an indelible mark on the history of stringed instrument making thanks to the unique tone of his violins, the Guarneri, inspired by the shape of stringed instruments, has represented the beginning of a completely new way of conceiving the loudspeaker .

This is the genesis of Guarneri Memento - from the Latin memini, meminisse: memory, remember, to remember something clearly - a loudspeaker which is a synthesis of tradition and innovation, created with the intention of offering the soul of music the chance to reveal itself in all its magnificent coherence, fluidity and harmony.

A renewal matured by rediscovering the core values of the Sonus faber sound.

FINISH:

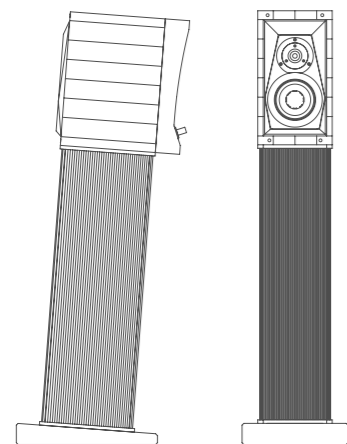
Graphite or red violin piano gloss.

DIMENSIONS (with stand):

1230 x 300 x 480 mm (HxWxD).

WEIGHT (*with stand):

87,4* Kg per pair - net weight / 113,5 Kg per pair shipping weight.



SYSTEM:

2 way vented box loudspeaker.

CABINET:

Lute shape design, constrained-mode damping, enclosure formed using 21 pieces of hand selected solid maple wood.

TWEETER:

25 mm ultra dynamic linearity ring radiator driver, with dual toroidal wave-guide.

MID-WOOFER:

150 mm ultra dynamic linearity driver. CCAW/Kapton "eddy current free" voice coil. Dynamically linear magnetic field motor incorporating Kellogg and Faraday rings. All moving elements optimally ventilated for "resonance free" response.

CROSS-OVER:

Designed along the philosophy of the least interference with the musical path. The conceptually minimalist implementation uses 6 db/octave slopes and components of the highest quality and coherence. A unique structured Silver-Palladium alloy conductors used, totally coherent on the entire signal path. Cross-over point 2.500 Hz.

FREQUENCY RESPONSE:

39 Hz - 30.000 Hz, tuning port included.

SENSITIVITY:

88 dB SPL (2,83 V/1 m).

NOMINAL IMPEDANCE:

4 ohm.

POWER HANDLING:

30W - 200W, without clipping.

amati *anniversario*

Sonus faber celebra, con Amati Anniversario, i cinquecento anni dalla nascita di Andrea Amati (1505-1577). Il nuovo omaggio al grande maestro liutaio cremonese è un diffusore che perpetua le esperienze maturate con il più importante progetto Sonus faber: Stradivari homage.

Il cabinet a forma di liuto conferma la sua efficacia nell'"accordare" le risonanze, collocandosi nel solco della tradizione Sonus faber, mentre l'attenzione dedicata ai numerosi ed accurati interventi progettuali ne rappresenta il lato più innovativo. Amati Anniversario è uno strumento realizzato per dare vita all'armonica trama del tessuto musicale, in ogni sua sfumatura, rendendo l'ascolto un'esperienza di straordinaria intensità.

With Amati Anniversario, Sonus faber celebrates the birth of Andrea Amati five hundred years ago, the great Maestro of stringed instrument making from Cremona (1505-1577). This new homage is a sound diffuser perpetuating the experience gained from the most significant Sonus faber project thus far: Stradivari homage.

The lute-shaped cabinet efficaciously "harmonises" resonances while dedicating considerable attention to the most innovative aspect of the projects work in the Sonus faber tradition. Amati Anniversario has been created to breathe life into the melodious weft of the fabric of music, in all its nuances, making the listening experience an extraordinarily moving event.

FINISH:

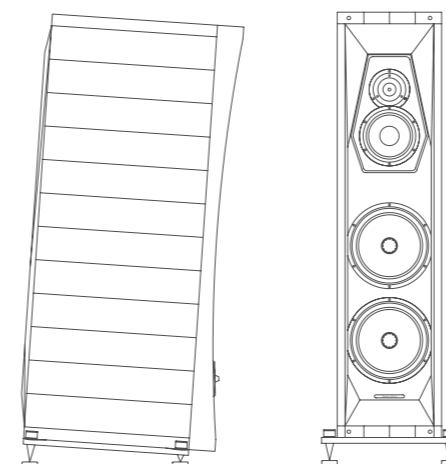
Graphite or red violin piano gloss.

DIMENSIONS:

1170 x 380 x 640 mm (HxWxD).

WEIGHT:

111,8 Kg per pair - net weight / 146,4 Kg per pair - shipping weight.



SYSTEM:

3 way floorstanding vented box loudspeaker.

CABINET:

Lute shape design, multilayer, constrained-mode damping, enclosure formed using hand selected wood layers, quality graded and oriented for carefully optimized resonances control. Sub-structural ribs are strategically placed for absolute rejection of spurious vibrations.

TWEETER:

25 mm ultra dynamic linearity ring radiator driver, with dual toroidal wave-guide.

MIDRANGE:

150 mm ultra dynamic linearity driver. CCAW/Kapton "eddy current free" voice coil. Dynamically linear magnetic field motor incorporating Kellogg and Faraday rings. All moving elements optimally ventilated for "resonance free" response. Designed synergistically with its vented "acoustic chamber".

WOOFERS:

220 mm lightweight Aluminium/Magnesium alloy cone driver in an acoustically amorphous vented chamber. A dual Faraday copper ring long-throw motor system with a 1.5" "eddy current free" voice coil is implemented for an ultra dynamic performance and linearity. Special coaxial anti-compressor are used, designed to remove cavity resonance and distortions.

CROSS-OVER:

Special multi slope structure with optimized phase/amplitude response. The impedance at low frequencies is controlled for a clear amplifier friendly performance. A unique structured precious metal alloy conductors used, totally coherent on the entire signal path. Cross-over points 350 Hz - 4.000 Hz.

FREQUENCY RESPONSE:

24 Hz - 30.000 Hz, tuning ports included.

SENSITIVITY:

92 dB SPL (2,83 V/1 m).

NOMINAL IMPEDANCE:

4 ohm.

POWER HANDLING:

30W - 300W, without clipping.

stradivari *homage*

L'omaggio a Stradivari definisce ulteriormente l'ambizione di avvicinare sempre più l'identità del diffusore acustico a quella di strumento musicale.

All'origine del progetto l'ispirazione che un front allargato rispetto ai canoni tradizionali potesse condurre alla simulazione del piano infinito 2π , traducendone il modello di sorgente acustica teoricamente perfetta ed offrendo una performance di riproduzione assolutamente innovativa. Da qui, il grande pannello frontale: che accumula, anziché disperdere, energia dagli altoparlanti, per poi rifletterla. Design ellittico per un sistema a tre vie capace di offrire una risposta totalmente diversa, emotivamente entusiasmante.

The tribute to Stradivari further defines that ambition to bring the identity of the loudspeaker ever more closer to that of a musical instrument.

At its outset, the project was based on the idea that a front that was wider than traditional canons could lead to the simulation of the 2π infinite plane, translating the model of a theoretically perfect acoustic source and offering an absolutely innovative reproduction performance.

And thus, the large front panel: it does not disperse but accumulates the energy of the loudspeakers, and then reflects it. An elliptic design for a three-way system capable of offering a totally different, emotionally enthusiastic response.

FINISH:

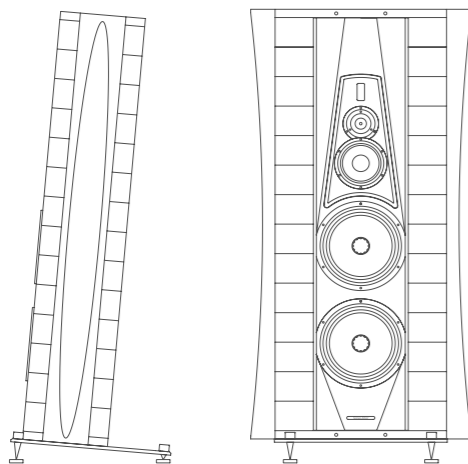
Graphite or red violin piano gloss.

DIMENSIONS:

1370 x 655 x 500 mm (HxWxD).

WEIGHT:

151,8 Kg per pair - net weight / 198,6 Kg per pair-shipping weight.



SYSTEM:

3 way floorstanding vented box loudspeaker.

CABINET:

Elliptical shape design, multilayer, constrained-mode damping, enclosure formed using hand selected wood layers, quality graded and oriented for carefully optimized resonances control.

Sub-structural ribs are strategically placed for absolute rejection of spurious vibrations.

TWEETER:

25 mm ultra dynamic linearity neodymium ring radiator driver, with dual toroidal wave-guide.

Natural wood acoustic labyrinth rear chamber, with mechanical anti-resonator synergically designed and integrated "acoustic ambient".

MIDRANGE:

150 mm ultra dynamic linearity driver. CCAW/Kapton "eddy current free" voice coil. Dynamically linear magnetic field motor incorporating Kellog and Faraday rings.

All moving elements optimally ventilated for "resonance free" response.

Designed synergistically with its vented "acoustic chamber".

WOOFERS:

260 mm lightweight Aluminium/Magnesium alloy cone driver in an acoustically amorphous vented chamber.

A dual Faraday copper ring long-throw motor system with a 2" "eddy current free" voice coil is implemented for an ultra dynamic performance and linearity.

Special coaxial anti-compressors are used, designed to remove cavity resonance and distortions.

CROSS-OVER:

Special multi slope structure with optimized phase/amplitude response. The impedance at low frequencies is controlled for a clear amplifier friendly performance.

A unique structured precious metal alloy conductors used, totally coherent on the entire signal path.

Cross-over points 300 Hz - 4.000 Hz.

FREQUENCY RESPONSE:

22 Hz - 40.000 Hz, tuning ports included.

SENSITIVITY:

92 dB SPL (2,83 V/1m).

NOMINAL IMPEDANCE:

4 ohm.

POWER HANDLING:

30W - 300W, without clipping.

