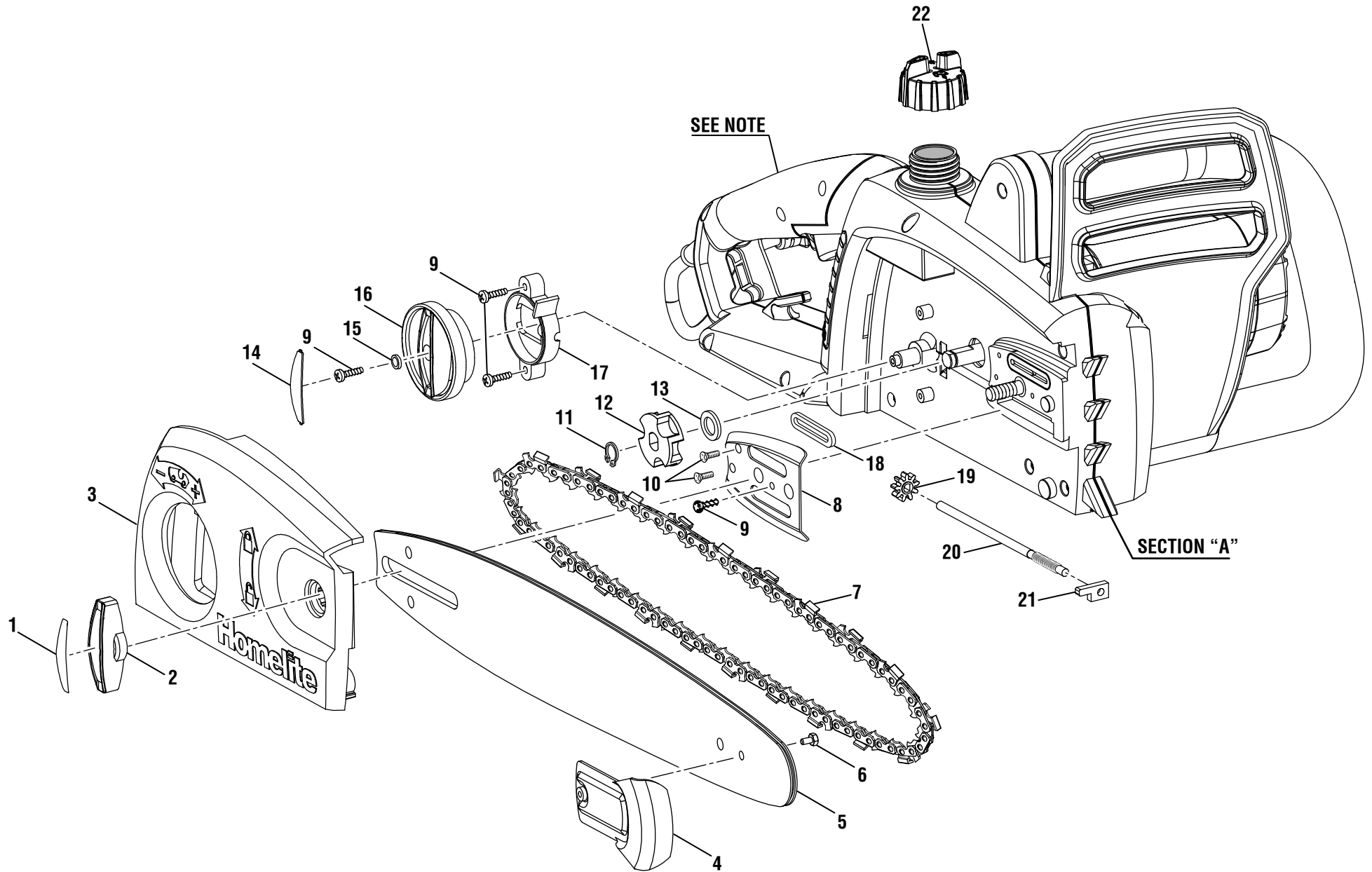


HOMELITE
16 in. ELECTRIC CHAIN SAW
MODEL NO. UT43123
ALL VERSIONS
REPAIR SHEET

HOMELITE 16 in. CHAIN SAW – MODEL NUMBERS UT43123 – ALL VERSIONS



HOMELITE 16 in. CHAIN SAW – MODEL NUMBERS UT43123 – ALL VERSIONS

The model number will be found on a plate attached to the motor housing. Always mention the model number in all correspondence regarding your **CHAIN SAW** or when ordering repair parts.

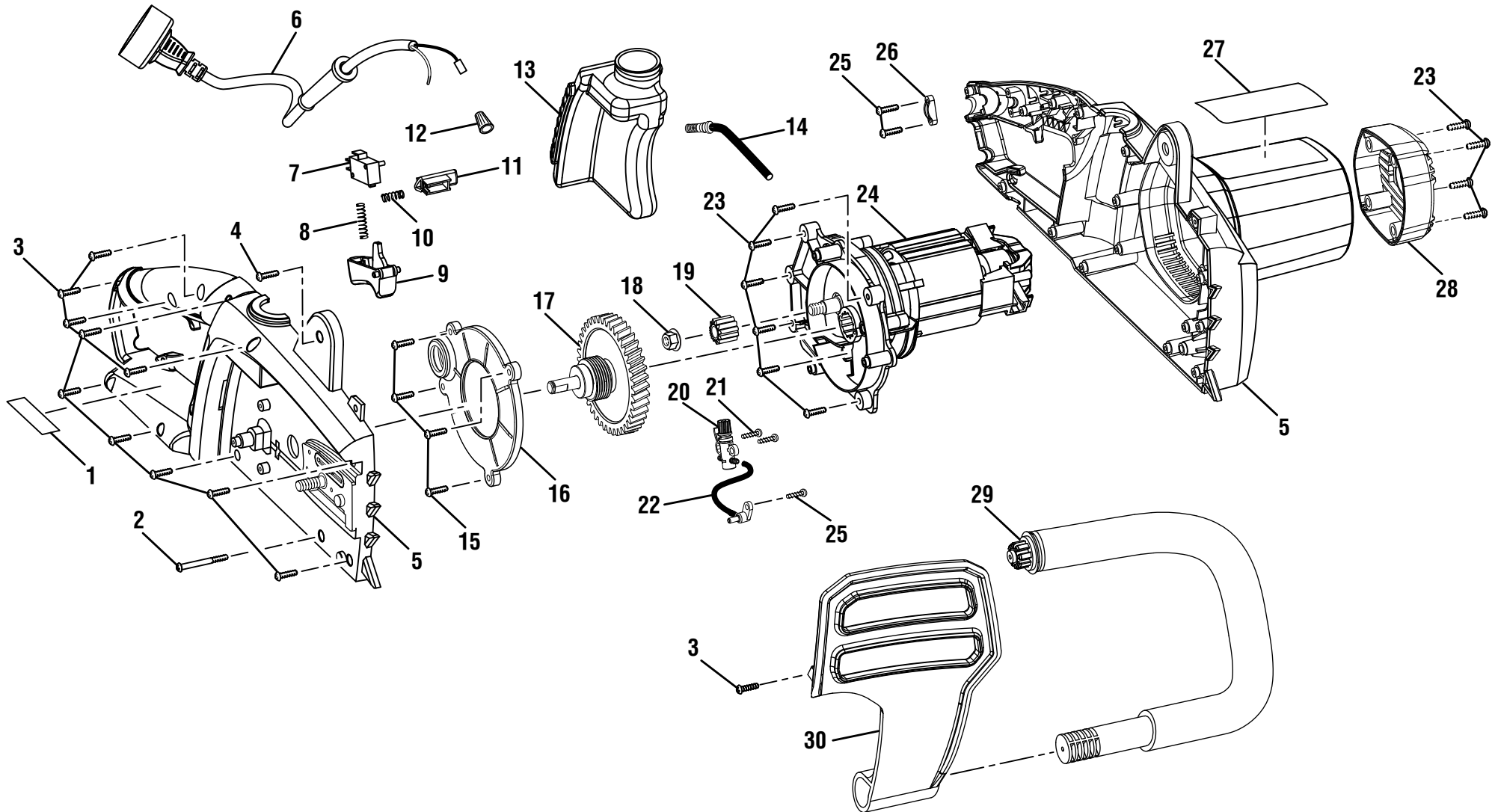
PARTS LIST

KEY NO.	PART NUMBER	DESCRIPTION	QTY
1	994120001	Knob Cover (Chain Cover).....	1
2	994121001	Chain Cover Lock Knob.....	1
3	994167001	End Cap Assembly	1
4	308949001	SAFE-T-TIP	1
5	310626001	Guide Bar.....	1
6	660640001	Screw w/Washer.....	1
7	901212002	Chain (0.375 x 56 Link, 16 in.)	1
8	994128001	Chain Tensioning Adjustment Cover.....	1
9	994105001	Screw (M4 x 16 mm).....	4
10	994127001	Screw (M4 x 12 mm, Countersunk)	2
11	994114001	Retaining Ring	1
12	993783001	Sprocket	1
13	994113001	Felt Washer	1
14	994119001	Knob Cover (Chain Tensioning)	1
15	993837001	Washer (M4).....	1
16	994118001	Chain Tensioning Knob.....	1
17	99416001	Knob Bracket.....	1
18	994129001	Seal Ring.....	1
19	993786001	Adjustment Gear.....	1
20	993785001	Adjustment Stem	1
21	994115001	Adjustment Pin	1
22	994173001	Oil Reservoir Cap.....	1
	Not Shown:		
	994163001	Scabbard	

NOTE: The assembly shown represents an important part of the Double Insulated System. To avoid the possibility of alteration or damage to the system, service should be performed by your nearest Homelite authorized service dealer.

HOMELITE 16 in. CHAIN SAW – MODEL NUMBERS UT43123 – ALL VERSIONS

SECTION "A"



Section "A" represents an important part of the double insulated system of this tool. Any repair to this tool requires dielectric testing to insure customer safety and to comply with company requirements.

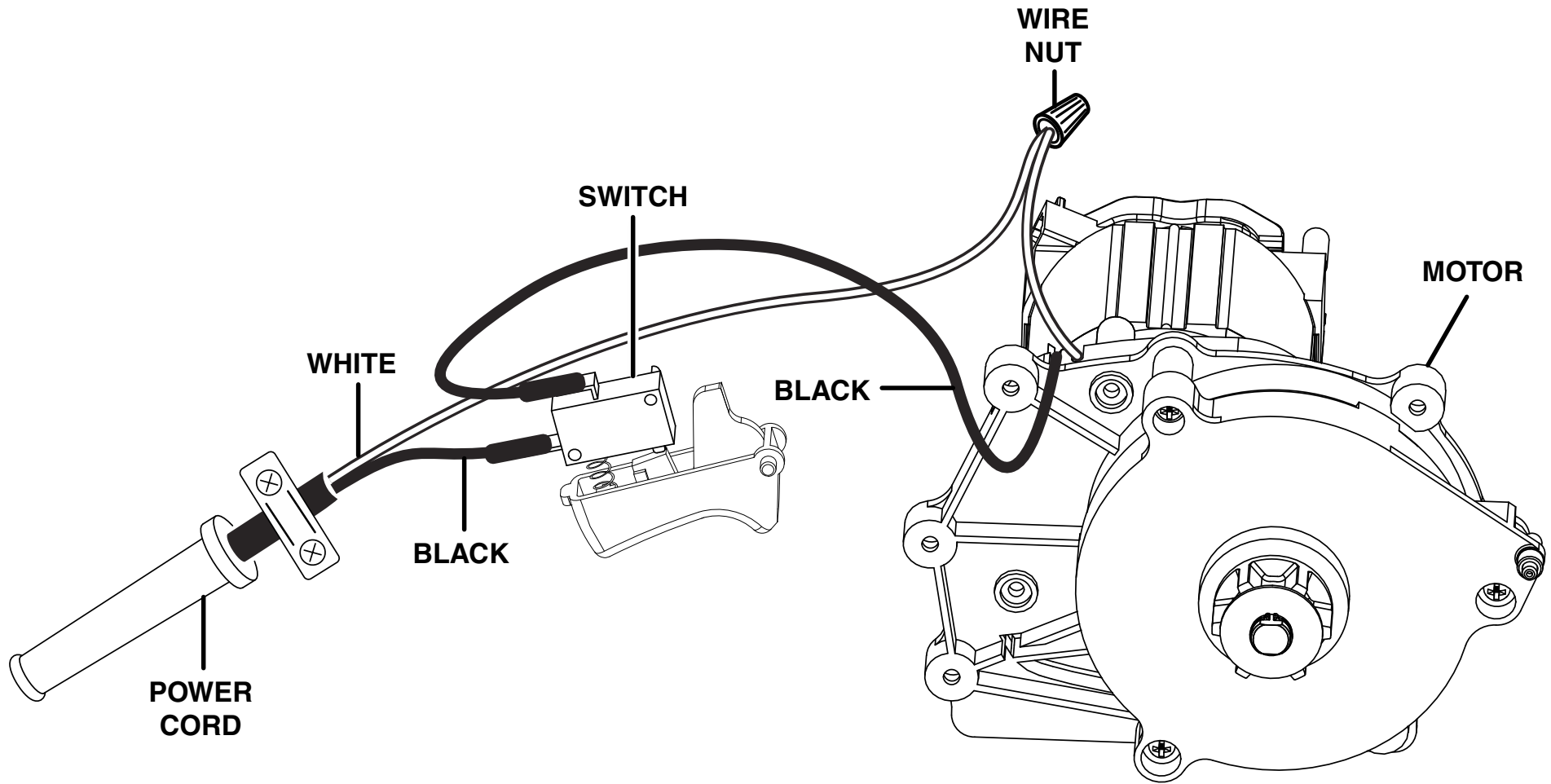
HOMELITE 16 in. CHAIN SAW – MODEL NUMBERS UT43123 – ALL VERSIONS

The model number will be found on a plate attached to the motor housing. Always mention the model number in all correspondence regarding your **CHAIN SAW** or when ordering repair parts.

PARTS LIST FOR SECTION “A”

KEY NO.	PART NUMBER	DESCRIPTION	QTY	KEY NO.	PART NUMBER	DESCRIPTION	QTY
1	9928001901	Warning Icon Label.....	1	18	994107001	Flange Nut (M8).....	1
2	994112001	Screw (M5 x 35 mm).....	1	19	994106001	Pinion.....	1
3	994111001	Screw (M4 x 16 mm).....	11	20	994149001	Oil Pump.....	1
4	994139001	Screw (M4 x 20 mm).....	1	21	994154001	Screw (M3 x 10 mm).....	2
5	994171001	Housing Assembly.....	1	22	994168001	Oil Inlet Tube.....	1
6	994170001	Power Cord.....	1	23	994104001	Screw (M4 x 16 mm).....	11
7	993745001	Switch.....	1	24	994166001	Motor Assembly.....	1
8	994074001	Compression Spring (Trigger).....	1	25	994072001	Screw (M4 x 10 mm).....	3
9	994073001	Switch Trigger.....	1	26	994071001	Cord Clamp.....	1
10	993749001	Compression Spring (Lock-Off).....	1	27	941588047	Data Label.....	1
11	994075001	Lock-Off Button.....	1	28	994137001	Motor End Cap.....	1
12	993744001	Wire Nut.....	1	29	994140001	Handle.....	1
13	994172001	Oil Reservoir Assembly.....	1	30	994141001	Guard.....	1
14	994169001	Oil Outlet Tube.....	1				
15	994105001	Screw (M4 x 12 mm).....	4		Not Shown:		
16	994133001	Gear Cover.....	1		990000745	Operator's Manual	
17	994174001	Gear Assembly.....	1		6-7-18		
					(REV:02)		

HOMELITE 16 in. CHAIN SAW – MODEL NUMBERS UT43123 – ALL VERSIONS



WIRING DIAGRAM