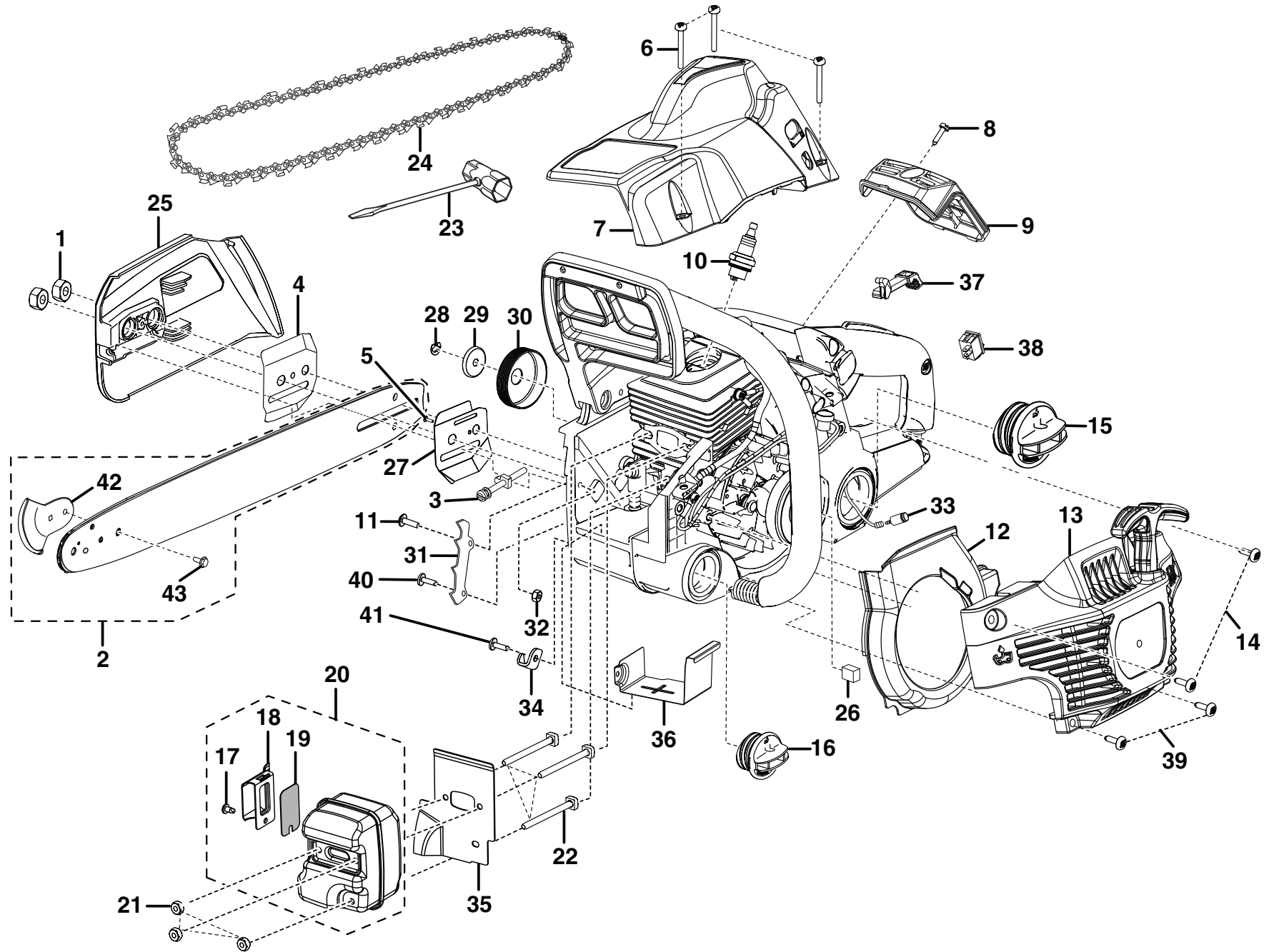


HOMELITE
42cc/46cc CHAIN SAW
MODEL NOS. UT10517, UT10518 & UT10520
REPAIR SHEET

HOMELITE 42cc/46cc CHAIN SAWS – MODEL Nos. UT10517, UT10518 & UT10520



HOMELITE 42cc/46cc CHAIN SAWS – MODEL Nos. UT10517, UT10518 & UT10520

The model number will be found on a plate attached to the engine housing. Always mention the model number in all correspondence regarding your **CHAIN SAW** or when ordering repair parts.

PARTS LIST

KEY NO.	PART NUMBER	DESCRIPTION	QTY	KEY NO.	PART NUMBER	DESCRIPTION	QTY
1	671076001	Guide Bar Nut (5/16-18)	2	24	671258001	Chain (UT10517 — .375 x 62 link, 18 in.)	1
2	310627001	Guide Bar (UT10517 — 18 in. with SAFE-T-TIP) (Includes Key Nos. 42, 43)	1		901430001	Chain (UT10518 — .325 x 72 link, 18 in.)	1
	310628001	Guide Bar (UT10518 — 18 in. with SAFE-T-TIP) (Includes Key Nos. 42, 43)	1		900920027	Chain (UT10520 — .325 x 58 link, 20 in.)	1
	310629001	Guide Bar (UT10520 — 20 in. with SAFE-T-TIP) (Includes Key Nos. 42, 43)	1	25	300957015	Chain Cover Assembly	1
3	308116001	Guide Bar Adjustment Screw	1	26	900844001	Pre-Filter	1
4	631038001	Outer Guide Plate	1	27	631036001	Inner Guide Plate	1
5	T660619001	Screw (6-19 x 1/2 in. T.F.)	1	28	671103001	E-Ring	1
6	660636001	Screw (10-16 x 1-1/2 in. Special)	3	29	631060001	Cupped Washer	1
7	518042021	Top Cover, Black (UT10517)	1	30	300958001	Sprocket Drum and Bearing Assembly (UT10517 — .375 chain)	1
	518042010	Top Cover, Red (UT10518/UT10520)	1		300958002	Sprocket Drum and Bearing Assembly (UT10518/UT10520 — .325 chain)	1
8	660617001	Screw (8-16 x 16 mm Torx T.F.)	1	31	631039001	Spike Bar	1
9	518049002	Air Filter Cover	1	32	678027002	Lock Nut (10-24)	1
10	870174001	Spark Plug (Champion RCJ6Y)	1	33	300759005	Fuel Filter	1
11	660625001	Screw (10-24 x 5/8 in. Torx Pan Hd.)	1	34	631035001	Chain Catcher	1
12	518055002	Fan Housing Baffle	1	35	900894001	Muffler Gasket	1
13	308067004	Starter Cover Assembly	1	36	638455001	Heat Shield	1
14	660632001	Screw (10-14 x 5/8 in., Truss Hd.)	2	37	511709002	Choke Lever, Yellow (UT10517)	1
15	300948002	Fuel Cap Assembly	1		511709012	Choke Lever, Black (UT10518/UT10520)	1
16	300949002	Oil Cap Assembly	1	38	760338001	Ignition Switch	1
17	660624001	Screw (8-32 x 5/16 in.)	1	39	660637001	Screw (10-14 x 7/8 in., Truss Hd.)	2
18	638467002	Outlet	1	40	660621001	Screw (10-24 x 1/2 in.)	1
19	638673001	Spark Screen	1	41	660618001	Screw (10-14 x 1/2 in.)	1
20	309310001	Muffler Assembly (Includes Key Nos. 17-19)	1	42	308949001	Safety Tip (UT10517)	1
21	671079001	Lock Nut (10-32)	3		308944001	Safety Tip (UT10518/UT10520)	1
22	660626002	Muffler Bolt (Square Hd.)	3	43	660640001	Screw (Hex Head)	1
23	631055001	Combination Wrench	1	44	518061001	Scabbard (UT10520, Not Shown)	1
					518061002	Scabbard (UT10517/UT10518, Not Shown)	1
					987000210	Operator's Manual (960970011)	
					10-19-10		
					(REV:06)		

HOMELITE 42cc/46cc CHAIN SAWS – MODEL Nos. UT10517, UT10518 & UT10520

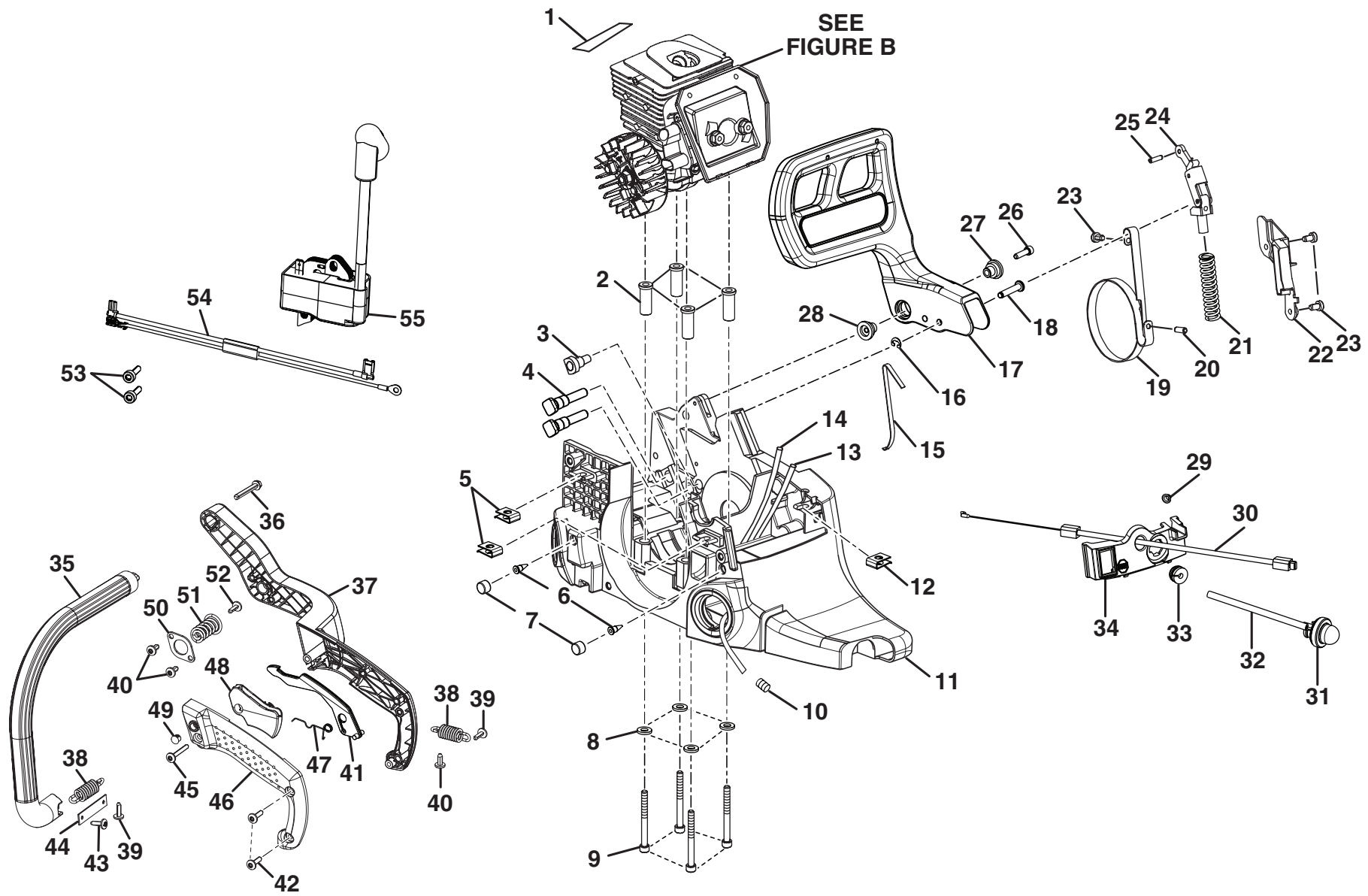


Figure A

HOMELITE 42cc/46cc CHAIN SAWS – MODEL Nos. UT10517, UT10518 & UT10520

The model number will be found on a plate attached to the engine housing. Always mention the model number in all correspondence regarding your **CHAIN SAW** or when ordering repair parts.

PARTS LIST (FIGURE A)

KEY NO.	PART NUMBER	DESCRIPTION	QTY	KEY NO.	PART NUMBER	DESCRIPTION	QTY
1	700106001	Heat Reflector Tape.....	1	31	308088001	Fuel Pump	1
2	671087001	Spacer Insert	4	32	570247004	Rubber Tubing	1
3	570226001	Oil Outlet Grommet	1	33	570227001	Split Grommet	1
4	660628001	Guide Bar Bolt.....	2	34	518044002	Control Panel, Black (UT10517)	1
5	671077001	Speed Nut ("U"-type)	2		518044012	Control Panel, Gray (UT10518/UT10520).....	1
6	560955001	Duck Bill Valve.....	2	35	511724001	Front Handle, Black (UT10517)	1
7	671088001	Element	2		511724011	Front Handle, Gray (UT10518/UT10520).....	1
8	671080001	Washer	4	36	660631001	Screw (12-14 x 1 1/2 in.)	1
9	660622001	Screw (10-24 x 2 in.).....	4	37	511721004	Rear Handle, Black (UT10517)	1
10	690765001	Hose Clamp.....	1		511721014	Rear Handle, Gray (UT10518/UT10520).....	1
11	300951004	Chassis Assembly, Black (UT10517).....	1	38	671101001	Extension Spring	2
	300951014	Chassis Assembly, Gray (UT10518/UT10520)	1	39	660632001	Screw (10-14 x 5/8 in.)	2
12	671077002	Speed Nut ("U"-type)	1	40	660618001	Screw (10-14 x 1/2 in.)	3
13	570247002	Rubber Tubing/07454-22	1	41	518051003	Lockout Throttle, Yellow (UT10517)	1
14	570247003	Rubber Tubing/07454-34	1		518051013	Lockout Throttle, Black (UT10518/UT10520).....	1
15	638024001	Spring	1	42	660629001	Screw (10-14 x 3/4 in.)	2
16	671075001	Retaining Ring	1	43	660719001	Screw (10-14 Thread Twin Helix).....	1
17	511723101	Hand guard, Black (UT10517)	1	44	631050001	Spring Retainer.....	1
	511723111	Hand guard, Gray (UT10518/UT10520).....	1	45	660633001	Screw (10-14 x 1 3/8 in.)	1
18	620282001	Handguard Actuating Pin	1	46	511722003	Handle Cover, Black (UT10517)	1
19	631063002	Brake Band.....	1		511722013	Handle Cover, Gray (UT10518/UT10520).....	1
20	671095001	Spring Pin.....	1	47	678037001	Torsion Ring.....	1
21	678113001	Spring	1	48	518052001	Trigger, Yellow (UT10517)	1
22	511720002	Chain Brake Cover	1		518052011	Trigger, Black (UT10518/UT10520)	1
23	660634001	Screw (8-16 x 5/16 in.)	3	49	518050001	Plug, Black (UT10517).....	1
24	300954001	Chain Brake Link Assembly	1		518050011	Plug, Gray (UT10518/UT10520)	1
25	671099001	Spring Pin (Small)	1	50	631051001	Isolator Plate	1
26	660635001	Screw (8-32 x 5/8 in.)	1	51	T671980001	Isolator Spring	1
27	671096001	Pivot (Right Hand)	1	52	660630001	Screw (10-24 x 5/8 in.)	1
28	671097001	Pivot (Left Hand).....	1	53	660639001	Screw (8-32 x 5/8 in.)	2
29	631034002	Hair Pin.....	1	54	290195003	Ignition Switch Harness	1
30	900885001	Throttle Cable.....	1	55	300953001	Ignition Kit	1

HOMELITE 42cc/46cc CHAIN SAWS – MODEL Nos. UT10517, UT10518 & UT10520

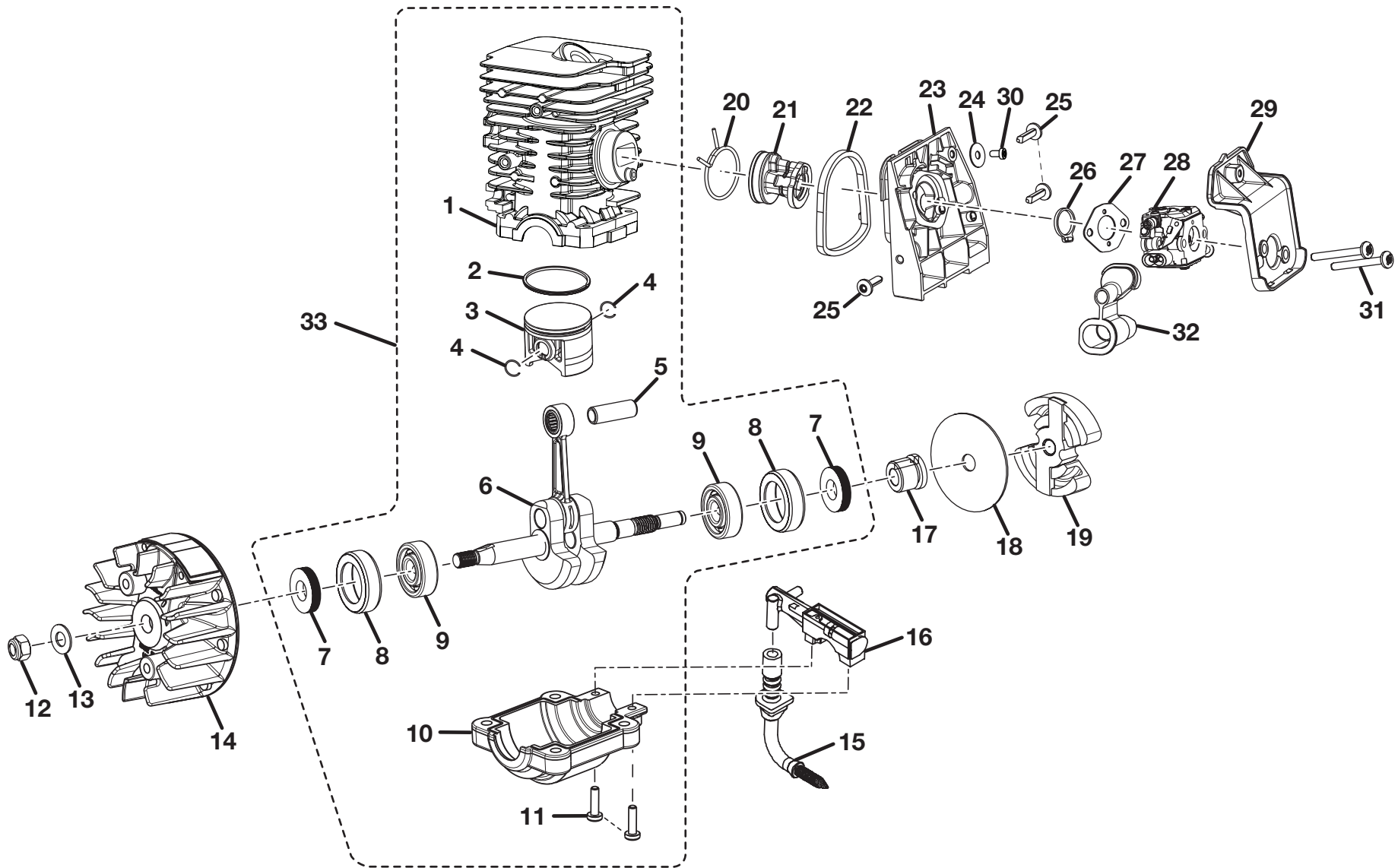


Figure B

HOMELITE 42cc/46cc CHAIN SAWS – MODEL Nos. UT10517, UT10518 & UT10520

The model number will be found on a plate attached to the engine housing. Always mention the model number in all correspondence regarding your **CHAIN SAW** or when ordering repair parts.

PARTS LIST (FIGURE B)

KEY NO.	PART NUMBER	DESCRIPTION	QTY	KEY NO.	PART NUMBER	DESCRIPTION	QTY
1	640200007	Cylinder	1	18	631061001	Thrust Washer	1
2	678747001	Piston Ring	1	19	300960003	Clutch Assembly	1
3	640350003	Piston	1	20	671267001	Wire Clamp.....	1
4	678183001	Retaining Ring	2	21	570243001	Intake Boot.....	1
5	620392001	Piston Pin	1	22	518047001	Carburetor Adaptor Seal	1
6	309160001	Crankshaft Assembly	1	23	308081001	Carburetor Adapter	1
7	570220001	Shaft Seal	2	24	671072001	Flat Washer.....	1
8	570221002	Bearing Case.....	2	25	660629001	Screw (10-14 x 3/4 in.)	3
9	671089002	Ball Bearing	2	26	518045001	Carburetor Plate	1
10	640843001	Crankcase	1	27	900886002	Carburetor Gasket.....	1
11	660627001	Screw (8-32 x 5/8 in.)	2	28	309364001	Carburetor Assembly.....	1
12	678123001	Nut (5/14-24)	1	29	518048001	Air Filter Base	1
13	631049001	Flat Washer.....	1	30	660634001	Screw (8-16 x 5/16 in.)	1
14	309012001	Flywheel Assembly.....	1	31	660655001	Screw (10-32 x 1 3/4 in.)	2
15	300950001	Oil Intake Tube Assembly	1	32	570242001	Grommet	1
16	300945001	Oil Pump Assembly	1	33	309890003	Short Block Assembly (Inc. Key Nos. 1-11)	1
17	T610389001	Left Hand Worm	1				