



Honda CRF 250R (06 - 07)

Slip-On Exhaust System

Akrapovic Slip-On Exhaust System

for the HONDA CRF 250R (2006 - 2007)

Honda designed the 2006 - 2007 CRF 250R with twin exhaust pipes, which should only increase the enthusiasm of fans of this model. At Akrapovic we responded immediately to this innovation and now offer recreational MX riders a basic level exhaust system tuning component. The twin-pipe Akrapovic Slip-On system for the CRF 250 is available for two markets; for the EU and other non-American markets it comes with noise dampers, while for the American market it includes approved spark arresters.

PERFORMANCE

Measurements of the Akrapovic SLIP-ON system on the HONDA CRF 250R:

Power & Torque: the increased performance delivered by the Akrapovic Slip-On system can be seen mainly in the range from 6000 rpm to 8600 rpm, after which it follows the stock performance figures. The increase reappears in the overrev range at 11000 rpm.

CONFIGURATION

The twin-pipe Akrapovic SLIP-ON system for the Honda CRF is composed of titanium mufflers and exceptionally short cylindrical stainless steel link pipes, which are welded to the mufflers. At the other end the link pipes are attached to the header assembly using sleeve joints held together with metal clamps and silicon-shielded springs. The mufflers are attached to the frame using Akrapovic offroad carbon-fiber clamps. The mufflers are available with titanium outer sleeves, with titanium outlet caps, while the inlet caps and perforated inner sleeves are made of stainless steel. The mufflers have noise dampers for the European and other non-American markets, while for the US market they are equipped with spark arresters.

	PERFORMANCE		
	stock	AKRAPOVIC	max. increased power
max. rear wheel power HP / rpm (measured on Dynojet ATV)	34.5 / 10900	34.5 / 10900	1.3 / 6600

	CONFIGURATION		
	header tubes	collector	link pipe
material	-	-	STAINLESS STEEL
tube shape	-	-	CYLINDRICAL

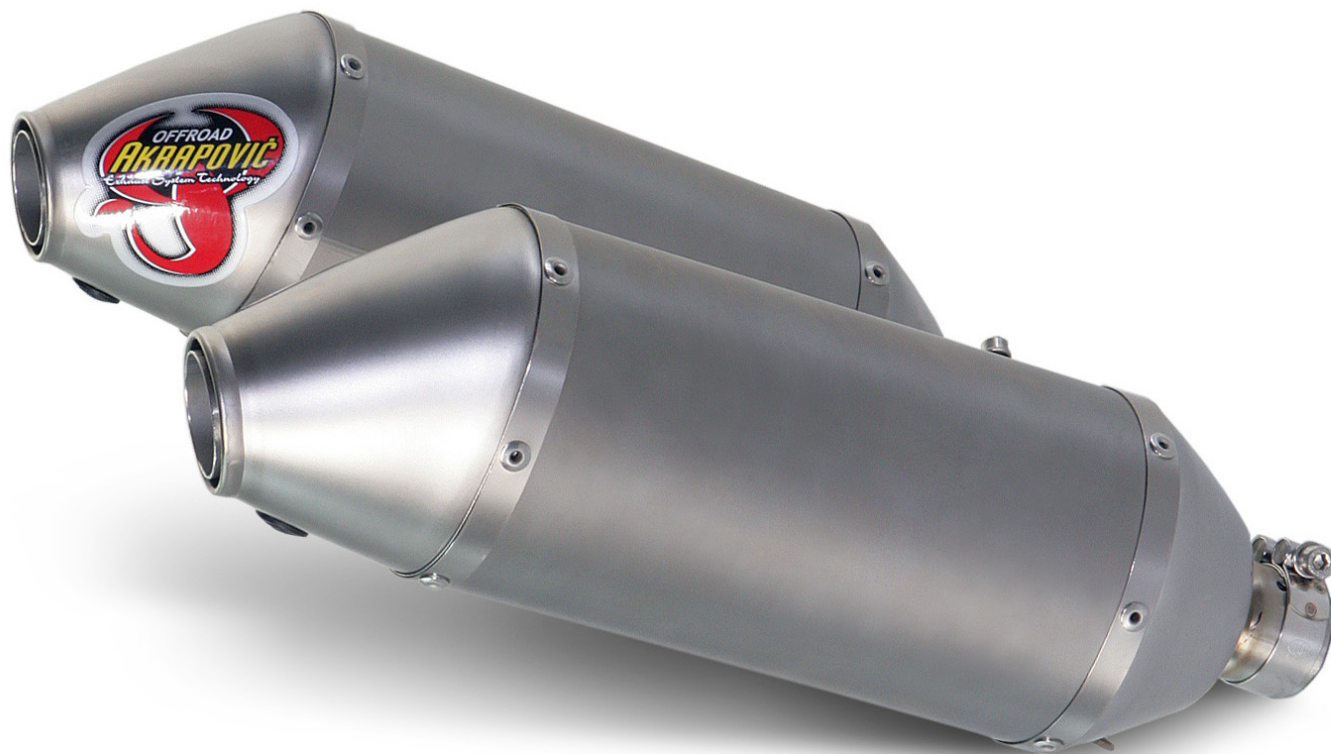
interference crossover tubes	-	lambda sensor	-	
header tube inner sleeves	-	header tube flanges	-	
header tubes - collector connection	-	collector / header tube - link pipe connection	SLEEVE JOINT + SILICON SHILDED SPRING + METAL CLAMP + METAL RING	
link pipe - muffler connection	WELDED	muffler inlet cap / outlet cap	STAINLESS STEEL / TITANIUM	
muffler metal interior	STAINLESS STEEL	muffler outer sleeve	TITANIUM	
muffler clamp	CARBON-FIBER OFF ROAD	muffler bracket	-	
muffler insert	EU	NOISE DAMPER (MX) NOISE DAMPER (enduro - optional)	heat shield	-
	US	SPARK ARRESTER	catalytic converter	-

	ADDITIONAL DATA				
	stock	AKRAPOVIC		difference	
weight comparison (kg)	2.36	S.S. link pipe	TITANIUM link pipe	stock - S.S.	stock - TITANIUM
		2.03	-	0.33	-
noise measurements (dB / rpm)	stock		AKRAPOVIC		
	96 / 5000		96 / 5000		
possibility of periodic service without removing A.E.S.	oil		oil filter		
	YES		YES		
legal for street use	NO				

Technical specifications of Akrapovic exhaust systems and related products subject to change without notice.

Product code: 105142 (S-H2SO2-MT)
105143 (S-H2SO2-MTA) US market

Akrapovic Slip-On Exhaust System for the HONDA CRF 250R (2006 - 2007)



CARBON-FIBER
MUFFLER CLAMPS

Off-Road
Program

Product code: 105142 (S-H2SO2-MT)
105143 (S-H2SO2-MTA) US market

Akrapovic Slip-On Exhaust System for the HONDA CRF 250R (2006 - 2007)



Akrapovic Exhaust System Technology copyright 2005, all rights reserved

Off-Road
Program

Product code: 105142 (S-H2SO2-MT)
105143 (S-H2SO2-MTA) US market

Akrapovic Slip-On Exhaust System

for the HONDA CRF 250R (2006 - 2007)



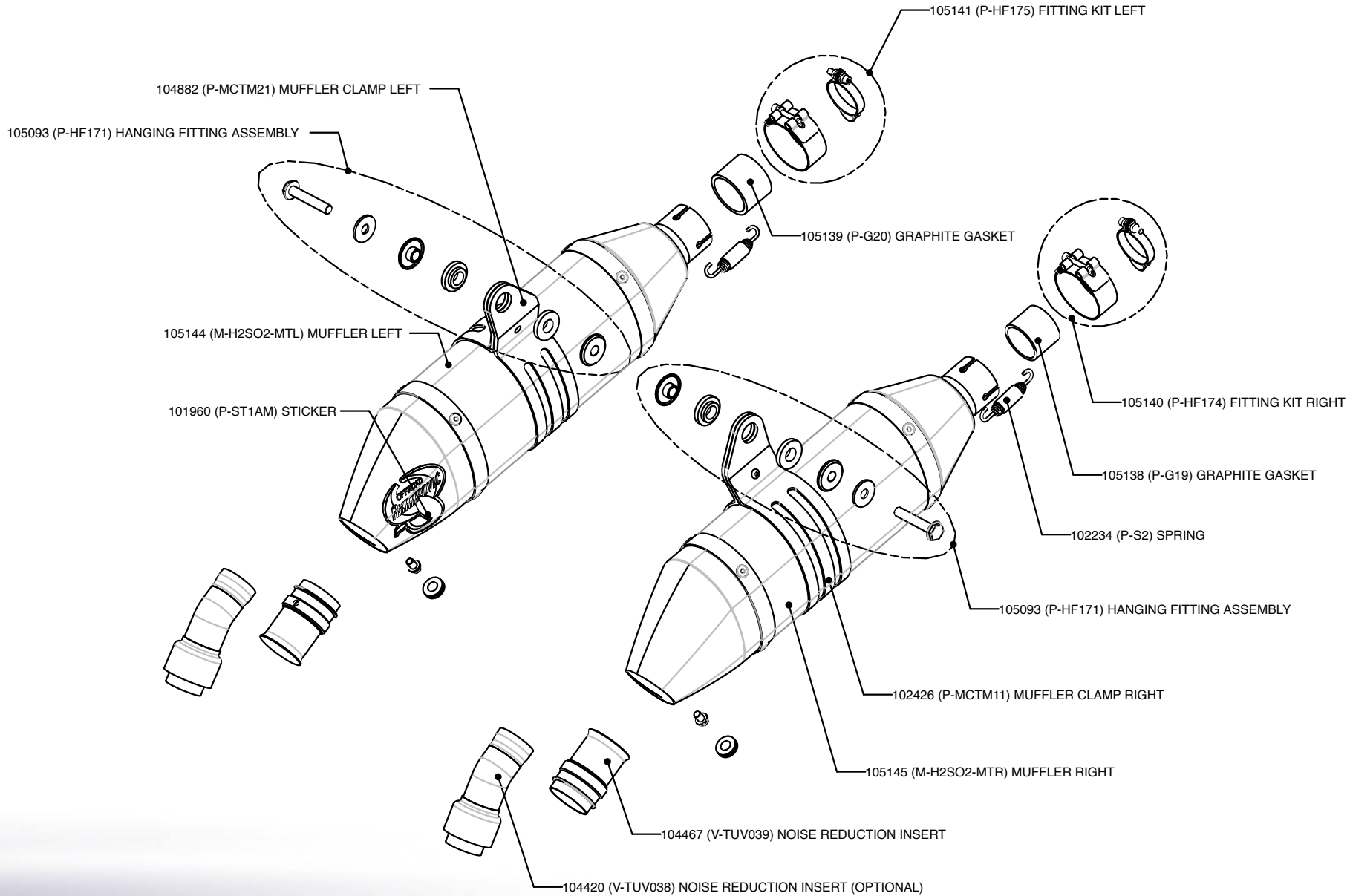
Akrapovic Exhaust System Technology copyright 2005, all rights reserved

Off-Road Program

Product code: 105142 (S-H2SO2-MT)
105143 (S-H2SO2-MTA) US market

Akrapovic Slip-On Exhaust System

for the HONDA CRF 250R (2006 - 2007)

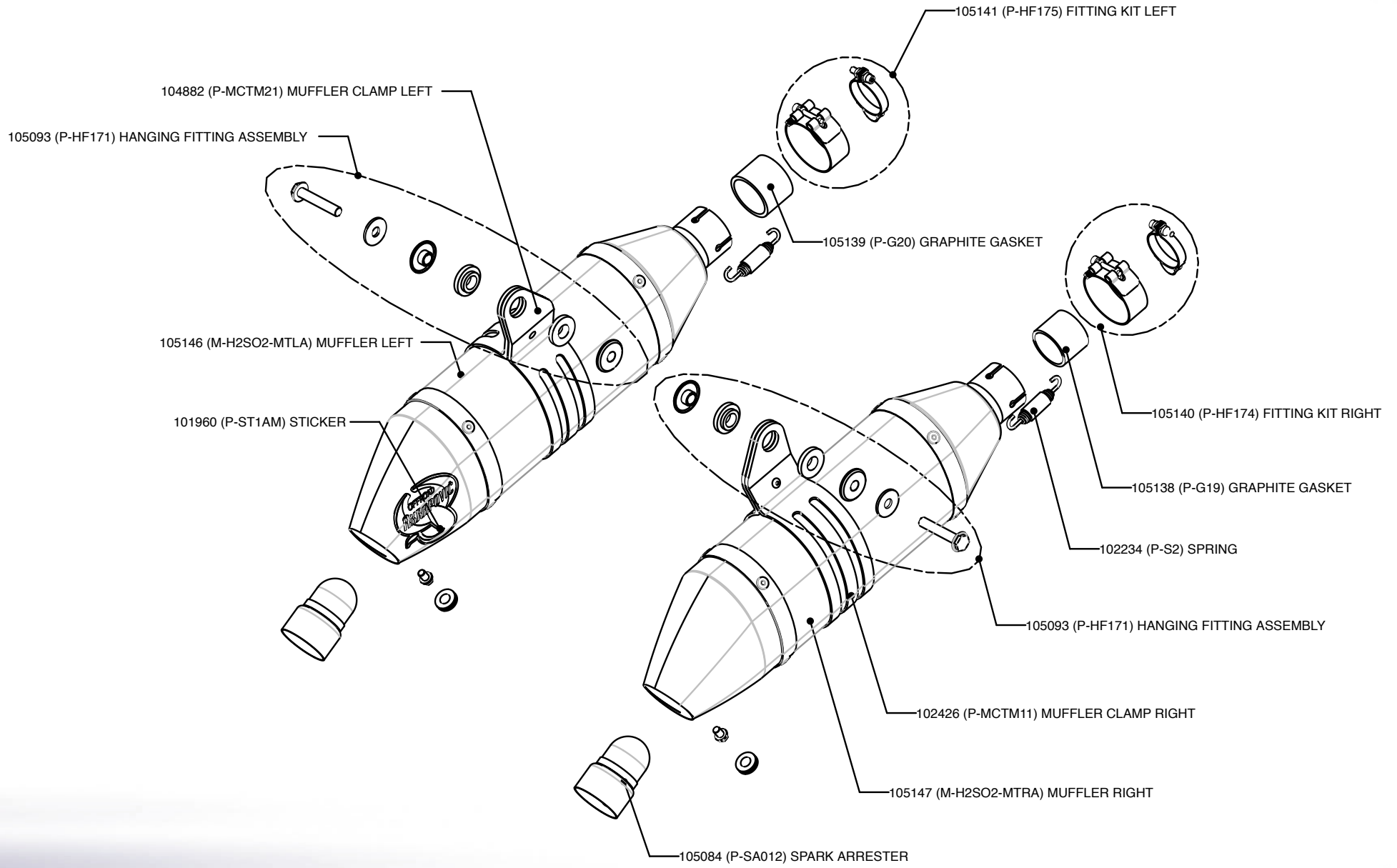


Akrapovic Exhaust System Technology copyright 2005, all rights reserved

Off-Road Program

Product code: 105142 (S-H2SO2-MT)
105143 (S-H2SO2-MTA) US market

Akrapovic Slip-On Exhaust System for the HONDA CRF 250R (2006 - 2007)



Off-Road
Program

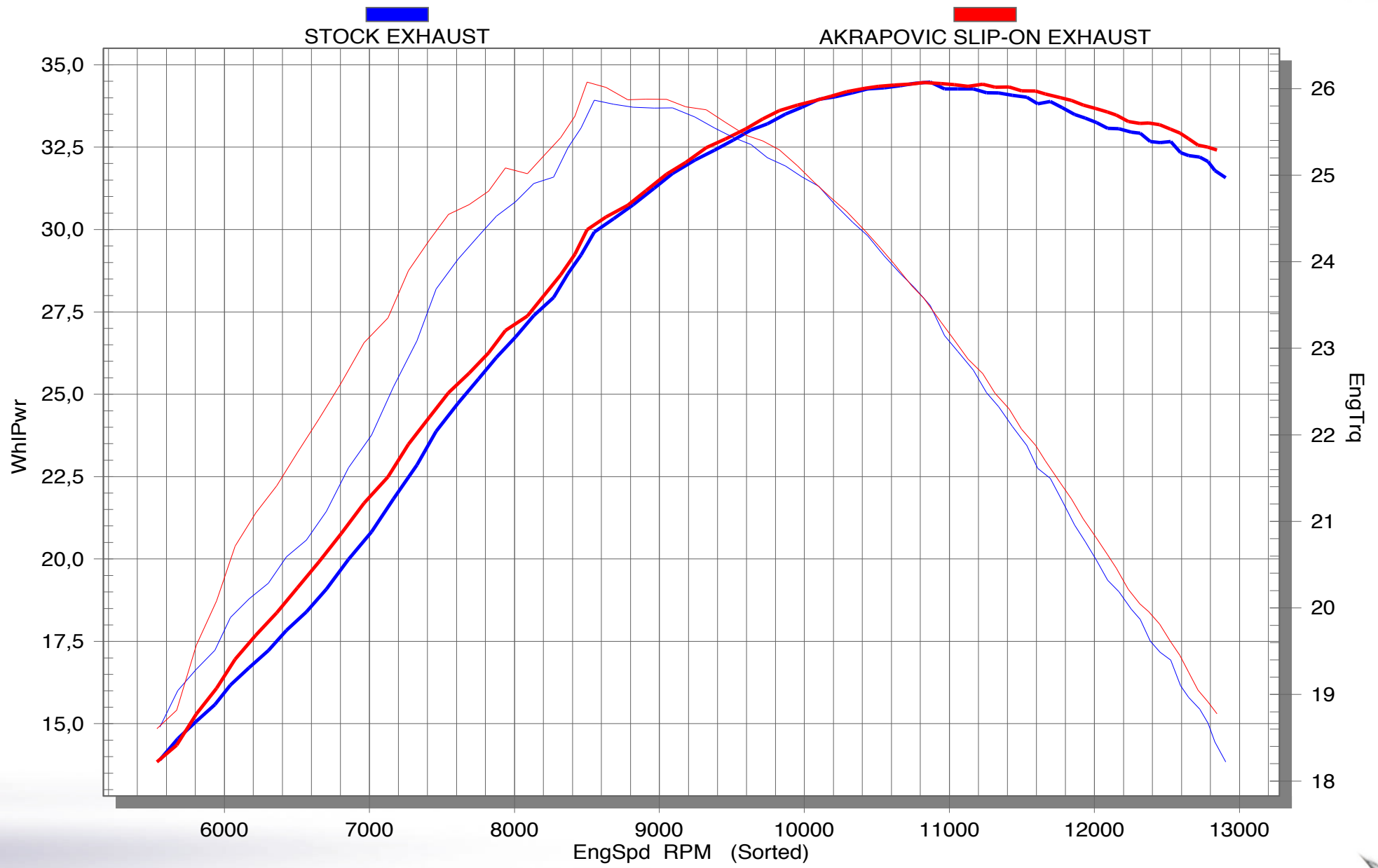
Product code: 105142 (S-H2SO2-MT)
105143 (S-H2SO2-MTA) US market



Akrapovic Exhaust System Technology copyright 2005, all rights reserved

Akrapovic Slip-On Exhaust System

for the HONDA CRF 250R (2006 - 2007)



Off-Road Program

Product code: 105142 (S-H2SO2-MT)
105143 (S-H2SO2-MTA) US market



Akrapovic Exhaust System Technology copyright 2005, all rights reserved