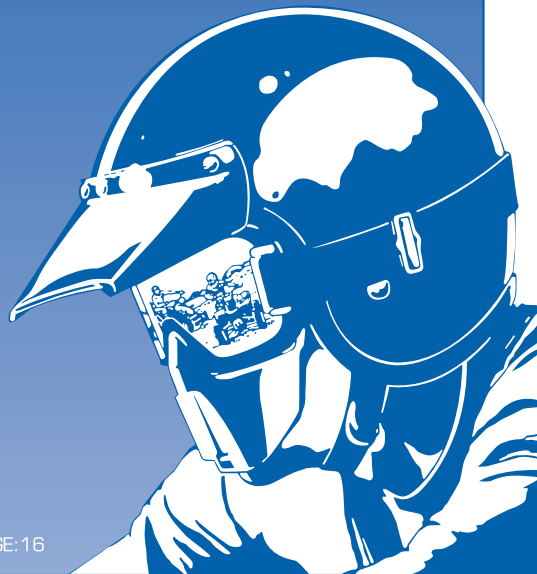




OWNER'S MANUAL

READ THIS MANUAL CAREFULLY,
IT CONTAINS IMPORTANT SAFETY INFORMATION.



MINIMUM RECOMMENDED OPERATOR AGE: 16

TRX250TM
FOURTRAX

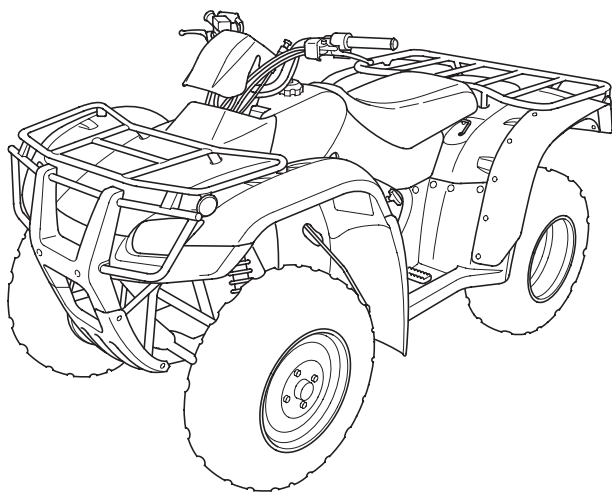
This manual should be considered a permanent part of the ATV and should remain with the ATV when it is resold.

This publication includes the latest production information available before printing. Honda Motor Co., Ltd. reserves the right to make changes at any time without notice and without incurring any obligation.

No part of this publication may be reproduced without written permission.

© Honda Motor Co., Ltd. 2008

**Honda TRX250TM
FOURTRAX
OWNER'S MANUAL**



Introduction

Congratulations on choosing your Honda ATV.

When you own a Honda, you're part of a worldwide family of satisfied customers — people who appreciate Honda's reputation for building quality into every product.

Your Honda was designed as a recreational ATV for off-road use by one rider only.

Before riding, take time to get acquainted with your ATV and how it works. To protect your investment, we urge you to take responsibility for keeping your ATV well maintained. Scheduled service is a must, of course. But it's just as important to observe the break-in guidelines, and perform all pre-ride and other periodic checks detailed in this manual.

We also recommend that you read this owner's manual before you ride. It's full of facts, instructions, safety information, and helpful tips. To make it easy to use, the manual contains a detailed list of topics at the beginning of each section, and both an in-depth table of contents and an index at the back of the book.

As you read this manual, you will find information that is preceded by a **NOTICE** symbol. This information is intended to help you avoid damage to your Honda, other property, or the environment.

Whenever you ride, tread lightly. By staying on established trails and riding only in approved areas, you help protect the environment and keep off-road riding areas open for the future.

Introduction

If you have any questions, or if you ever need special service or repairs, remember that your Honda dealer knows your ATV best and is dedicated to your complete satisfaction.

Happy riding!

A Few Words About Safety

Your safety, and the safety of others, is very important. And operating this ATV safely is an important responsibility.

To help you make informed decisions about safety, we have provided operating procedures and other information on labels and in this manual. This information alerts you to potential hazards that could hurt you or others.

Of course, it is not practical or possible to warn you about all hazards associated with operating or maintaining an ATV. You must use your own good judgment.

You will find important safety information in a variety of forms, including:

Safety Labels — on the ATV.

Safety Messages — preceded by a safety alert symbol  and one of three signal words: **DANGER**, **WARNING**, or **CAUTION**.

A Few Words About Safety

These signal words mean:

 **DANGER**

You **WILL** be **KILLED** or **SERIOUSLY HURT** if you don't follow instructions.

 **WARNING**

You **CAN** be **KILLED** or **SERIOUSLY HURT** if you don't follow instructions.

 **CAUTION**

You **CAN** be **HURT** if you don't follow instructions.

Safety Headings — such as Important Safety Reminders or Important Safety Precautions.

Safety Section — such as ATV Safety.

Instructions — how to use this ATV correctly and safely.

This entire manual is filled with important safety information — please read it carefully.

Contents

These pages give an overview of the contents of your owner's manual. The first page of each section lists the topics covered in that section.

ATV Safety	1
Important safety information you should know, plus a look at the safety related labels on your ATV.	
Instruments & Controls.....	9
The location and function of indicators and controls on your ATV and operating instructions for various controls and features.	
Before Riding.....	33
The importance of wearing a helmet and other protective gear, how to make sure you and your ATV are ready to ride, and important information about loading.	
Basic Operation & Riding	47
How to start and stop the engine, shift gears, and brake. Also, riding precautions.	

Contents

Servicing Your Honda	79
Why your ATV needs regular maintenance, what you need to know before servicing your Honda, an owner maintenance schedule, and instructions for specific maintenance and adjustment items.	
Tips	155
How to store and transport your ATV and how to be an environmentally responsible rider.	
Taking Care of the Unexpected	165
What to do if you have a flat tyre, your engine won't start, etc.	
Technical Information	181
ID numbers, technical specifications, and other technical facts.	
Table of Contents	192
Sequential listing of topics in this owner's manual.	
Index.....	198
Manufacturer and Authorised Representative for EU Market	211

ATV Safety

This section presents some of the most important information and recommendations to help you ride your ATV safely. Please take a few moments to read these pages. This section also includes information about the location of safety labels on your ATV.

Important Safety Information	2
Safety Labels.....	5

Important Safety Information

Your ATV can provide many years of service and pleasure if you take responsibility for your own safety and understand the challenges you can meet while riding.

There is much that you can do to protect yourself when you ride. You'll find many helpful recommendations throughout this manual. The following are a few that we consider to be most important.

Follow the Age Recommendation

The minimum recommended age for this ATV model is 16. Children under age 16 should never operate this vehicle.

Always Wear a Helmet

It's a proven fact: helmets significantly reduce the number and severity of head injuries. So always wear an approved motorcycle helmet. We also recommend that you wear eye protection, sturdy boots, gloves, and other protective gear (page 34).

Never Carry a Passenger

Your ATV is designed for one person only. There are no handholds, footrests, or seat for a second person, so never carry a passenger. A passenger could interfere with your ability to move around to maintain your balance and control of the ATV.

Important Safety Information

Ride Off-road Only

Your ATV is designed and manufactured for off-road use only. The tyres are not made for pavement, and the ATV does not have turn signals and other features required for use on public roads. If you need to cross a paved or public road, get off and walk your ATV across.

Take Time to Learn & Practice

Even if you have ridden other ATVs, take time to become familiar with how this ATV works and handles. Practice in a safe area until you build your skills and get accustomed to the ATV's size and weight.

Be Alert for Off-road Hazards

The terrain can present a variety of challenges when you ride off-road. Continually ‘read’ the terrain for unexpected turns, drop-offs, rocks, ruts, and other hazards. Always keep your speed low enough to allow time to see and react to hazards.

Important Safety Information

Ride within Your Limits

Pushing limits is another major cause of ATV accidents. Never ride beyond your personal abilities or faster than conditions warrant. Remember that alcohol, drugs, fatigue, and inattention can significantly reduce your ability to make good judgments and ride safely.

Don't Drink and Ride

Alcohol and riding don't mix. Even one drink can reduce your ability to respond to changing conditions, and your reaction time gets worse with every additional drink. So don't drink and ride, and don't let your friends drink and ride either.

Keep Your Honda in Safe Condition

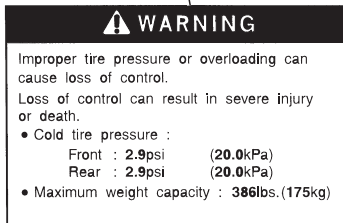
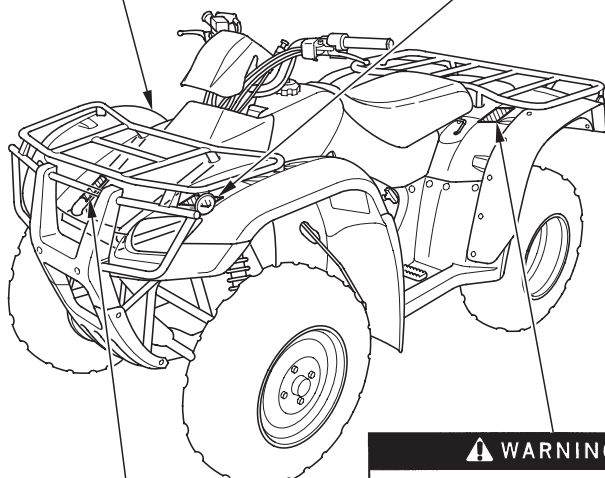
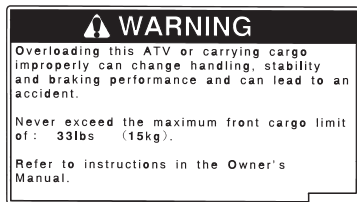
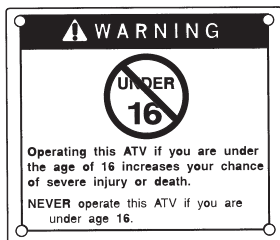
It's important to keep your ATV properly maintained and in safe riding condition. Having a breakdown can be difficult, especially if you are stranded off-road far from your base. To help avoid problems, inspect your ATV before every ride and perform all recommended maintenance.

Safety Labels

Your ATV comes with several labels containing important safety information. Anyone who rides the vehicle should read and understand this information before riding.

The labels should be considered permanent parts of the vehicle. If a label comes off or becomes hard to read, contact your Honda dealer for replacements.

Safety Labels



CE **TRX250TM** **11.6 kW**

2008 **199 kg**

HONDA OF SOUTH CAROLINA MFG., INC.
1111 HONDA WAY, TIMMONSVILLE, SOUTH CAROLINA
29161 U.S.A. **MADE IN USA**

Engine net power
Machine mass

Safety Labels

⚠ WARNING

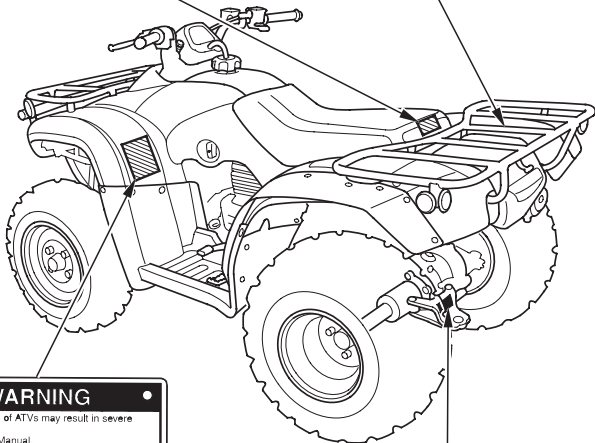
 **NEVER** ride as a passenger. Passengers can cause a loss of control, resulting in **SEVERE INJURY** or **DEATH**.

⚠ WARNING

Overloading this ATV or carrying cargo improperly can change handling, stability and braking performance and can lead to an accident.

Never exceed the maximum rear cargo limit (combined weight on the rear rack and in the storage area) of: **66 lbs (30 kg)**.

Refer to instructions in the Owner's Manual.




⚠ WARNING


The improper operation of ATVs may result in severe injury or death.


- Read the Owner's Manual.
- Follow all warnings and instructions.
- Never use without proper training and instruction.


While riding:

- Never ride too fast for your skills or the conditions.
- Always use proper riding techniques for hills, slopes, and rough terrain.
- Use care when changing riding surfaces. ATVs handle differently on different surfaces, such as sand, dirt, or pavement.

 • Never carry a passenger, since it would affect balance and steering and may cause you to lose control.

 • Avoid operating on public roads, since a collision can occur with another vehicle.

 • Never ride after drinking alcohol or using drugs.

 • Always wear a helmet, eye protection, and protective gear.

⚠ WARNING

Towing an improperly loaded trailer can cause loss of control.

- Read towing instructions in owner's manual
- Tow weight limit : **500lbs. (225kg)**
- Tongue weight : **30lbs. (14kg)**

Instruments & Controls

This section shows the location of all indicators and controls you would normally use before or while riding your ATV.

The items listed on this page are described in this section. Instructions for other components are presented in other sections of this manual where they will be most useful.

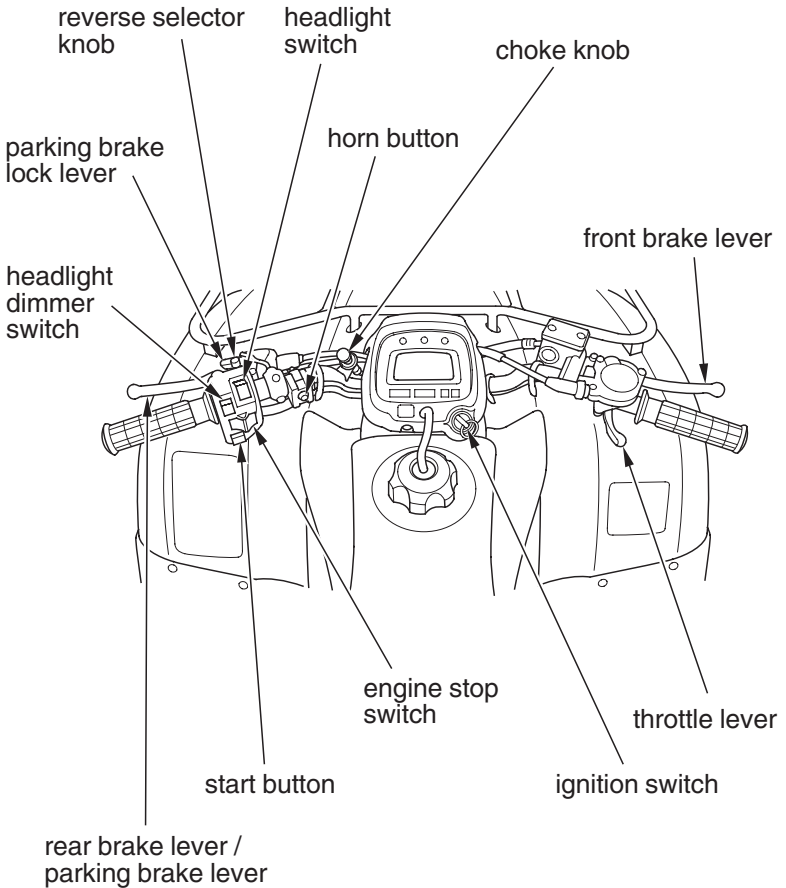
Operation Component Locations	11
Indicators & Displays.....	14
Multi-function Display.....	17
Odometer.....	18
Tripmeter.....	18
Hourmeter	19
Digital Clock.....	20

(cont'd)

Instruments & Controls

Controls & Features	21
Fuel Valve	21
Choke Knob	22
Ignition Switch	23
Start Button	24
Engine Stop Switch	24
Headlight Switch	25
Headlight Dimmer Switch	25
Horn Button	25
Recoil Starter	26
Throttle Lever	27
Reverse Selector Knob	28
Front Brake Lever	29
Rear Brake Lever/Parking Brake Lever	29
Rear Brake Pedal	29
Parking Brake	30
Flag Pole Bracket	31
Trailer Hitch	32

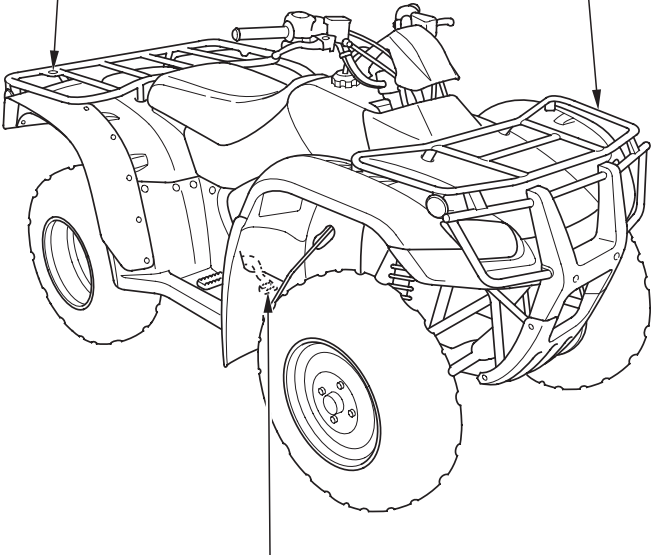
Operation Component Locations



Operation Component Locations

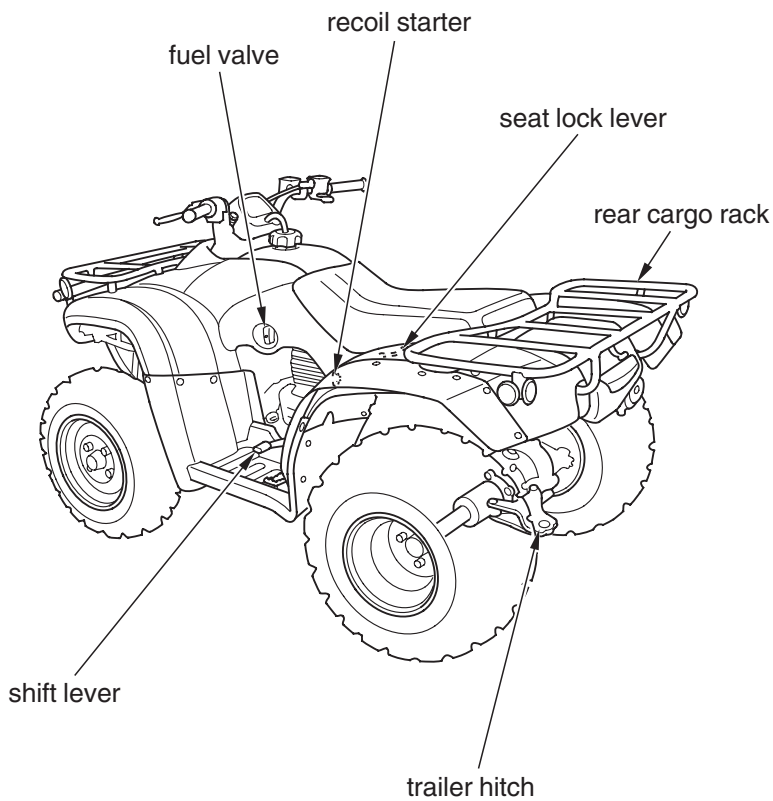
flag pole bracket

front cargo rack



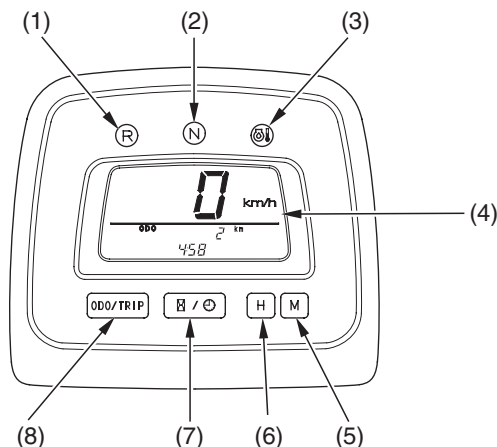
rear brake pedal

Operation Component Locations



Indicators & Displays

The indicators and displays on your ATV keep you informed, alert you to possible problems, and make your riding safer and more enjoyable. Refer to the indicators frequently. Their functions are described on the following pages.



- | | |
|------------------------------------|---|
| (1) reverse indicator | (5) minute select button |
| (2) neutral indicator | (6) hour select button |
| (3) high oil temperature indicator | (7) hourmeter/digital clock select button |
| (4) multi-function display | (8) odometer/tripmeter select button |

Lamp Check

The high oil temperature indicator comes on when you turn the ignition switch ON (I) so you can check that it is working. The indicator remains on until after the engine is started.

This indicator is identified in the table on page 16 with the words: *Lamp Check*.

Indicators & Displays

When applicable, the reverse or neutral indicators come on when you turn the ignition switch ON (I) and remain on until you shift out of reverse or neutral.

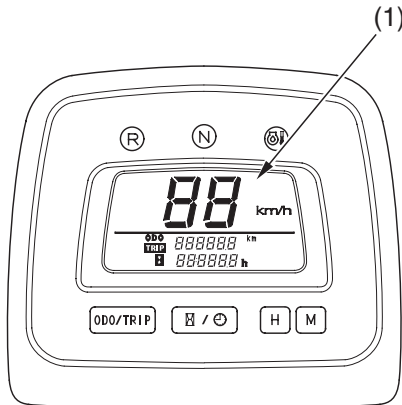
If one of these indicators does not come on when it should, have your Honda dealer check for problems.

Display Check

When the ignition switch is turned ON (I), the multi-function display (1) will temporarily show all the modes and digital segments so you can make sure the liquid crystal display is functioning properly.

The displays are identified in the table on page 16 with the words: *Display Check*.

If any part of these displays does not come on when it should, have your Honda dealer check for problems.



(1) multi-function display

Indicators & Displays

(1)	Reverse indicator	Lights when the transmission is in reverse (page 17). <i>Lamp Check.</i>
(2)	Neutral indicator	Lights when the transmission is in neutral (page 17). <i>Lamp Check.</i>
(3)	High oil temperature indicator	Lights when engine oil temperature is high enough to adversely affect the service life of the engine. If the high oil temperature indicator comes on while you are riding, immediately bring the vehicle to a stop, turn the engine off and let it cool. See page 174. <i>Lamp Check.</i>
(4)	Multi-function display	The display includes the following functions (page 17). <i>Display Check.</i>
	Speedometer	Shows riding speed.
	Odometer	Shows accumulated mileage (page 18).
	Tripmeter	Shows mileage per trip (page 18).
	Hourmeter	Shows hours and tenths of hours of engine operation (page 19).
	Digital clock	Shows the time (hours and minutes) (page 20).
(5)	Minute select button	Advances the minutes displayed by the digital clock (page 20).
(6)	Hour select button	Advances the hour displayed by the digital clock (page 20).
(7)	Hourmeter/digital clock select button	Selects display of the hourmeter or digital clock (pages 19 , 20).
(8)	Odometer/tripmeter select button	Selects display of the odometer or tripmeter. Resets the tripmeter to zero (0) (page 18).

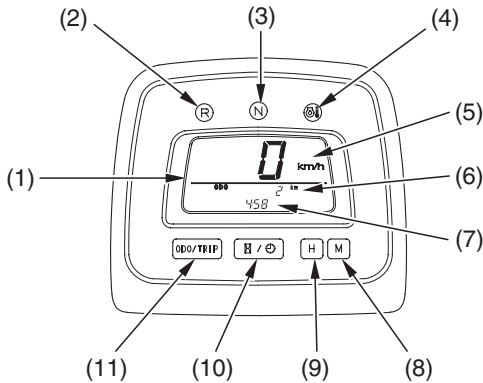
Indicators & Displays

Multi-function Display

The multi-function display (1) includes the following functions:

- Speedometer
- Odometer
- Tripmeter
- Digital clock
- Hourmeter

The digital clock and tripmeter will reset if the battery is disconnected.

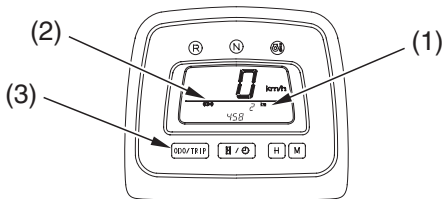


- | | |
|------------------------------------|--|
| (1) multi-function display | (7) digital clock/hourmeter |
| (2) reverse indicator | (8) minute select button |
| (3) neutral indicator | (9) hour select button |
| (4) high oil temperature indicator | (10) hourmeter/digital clock select button |
| (5) speedometer | (11) odometer/tripmeter select button |
| (6) odometer/tripmeter | |

Indicators & Displays

Odometer

When selected, the odometer (1) registers total distance traveled in kilometers while the ignition is ON (1). To change the display (2) from tripmeter to odometer, press and release the Odometer/Tripmeter select button (3).

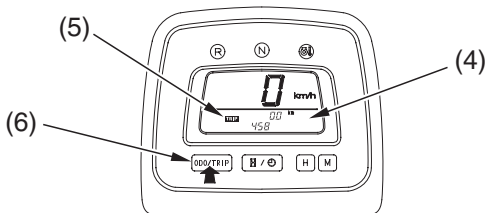


(1) odometer
(2) "ODO" display

(3) odometer/tripmeter
select button

Tripmeter

When selected, the tripmeter (4) shows mileage per trip while the ignition is ON (1). To change the display (5) from odometer to tripmeter, press and release the Odometer/Tripmeter select button (6). To reset the tripmeter to zero, press the Odometer/Tripmeter select button and hold it in for at least 2 seconds.



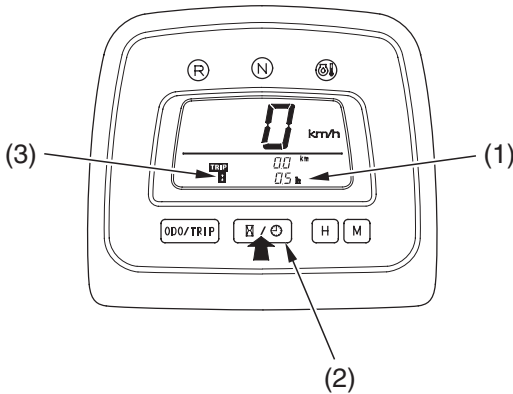
(4) tripmeter
(5) "TRIP" display

(6) odometer/tripmeter
select button

Indicators & Displays

Hourmeter

When selected, the hourmeter (1) shows accumulated hours while the ignition is ON (1). The hourmeter provides accurate service period information for initial and regular maintenance. To change the display from the digital clock to the hourmeter, press and release the hourmeter/digital clock select button (2). The hourmeter mark (3) will appear.



(1) hourmeter

(2) hourmeter/digital clock
select button

(3) hourmeter mark

Indicators & Displays

Digital Clock

Shows hour and minute while the ignition is ON (1).

To change the display from hourmeter to digital clock, press and release the hourmeter/digital clock select button (1).

To adjust the time, proceed as follows:

1. Turn the ignition switch ON (1).

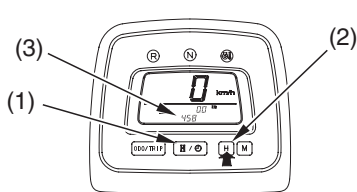
2. To advance the hour display one unit at a time, press and release the hour select button (2).

To advance the hour display automatically, press and hold the hour select button. After 2 seconds, the hour display will begin advancing. Release the button when the display reaches the desired hour (3).

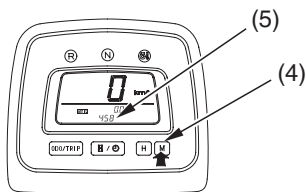
3. To advance the minute display one unit at a time, press and release the minute select button (4).

To advance the minute display automatically, press and hold the minute select button. After 2 seconds, the minute display will begin advancing. Release the button when the display reaches the desired minute (5).

4. To zero the minute display, press and hold both the hour and minute select buttons simultaneously for 2 seconds.



- (1) hourmeter/digital clock select button
- (2) hour select button

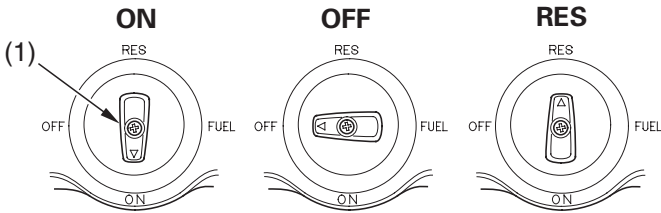


- (3) hour
- (4) minute select button
- (5) minute

Controls & Features

Fuel Valve

LEFT SIDE



(1) fuel valve

The manual fuel valve (1) is located on the left side of the fuel tank.

The three-way fuel valve is used to control the flow of fuel from the fuel tank to the carburetor.

ON—normal position for riding.

OFF— for parking, storing, or transportation.

RES— for extra fuel to get to a gas supply for refueling.

Reserve Fuel

Remember to check that the fuel valve is in the ON position each time you refuel. If the fuel valve is left in the RES position, you may run out of fuel with no reserve.

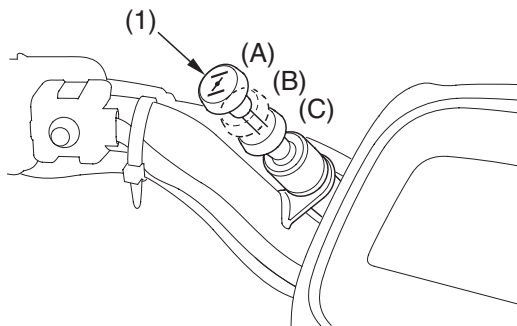
For complete information about fueling your ATV, see page 96 .

Controls & Features

Choke Knob



LEFT HANDLEBAR



(1) choke knob

(A) fully ON

(B) halfway position

(C) fully OFF

The choke knob (1) may be used when starting the engine.
See page 55 .

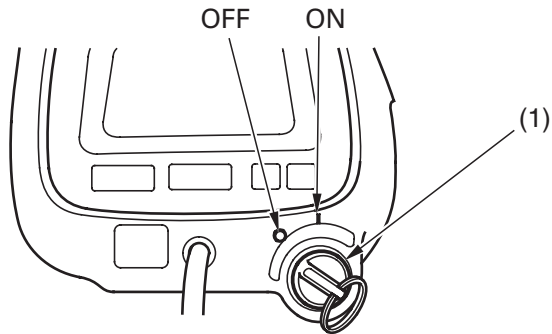
Controls & Features

Ignition Switch

The ignition switch (1) is used for starting and stopping the engine (page 54). Insert the key and turn it to the right for the ON (|) position.

Key Position	Function
ON ()	Electrical circuits on.
OFF (○)	No electrical circuits function.

CENTER OF HANDLEBAR



(1) ignition switch

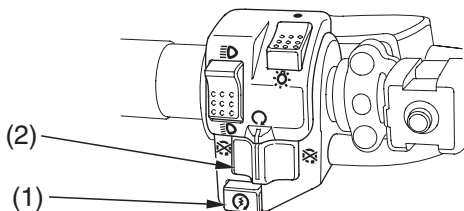
| ON
○ OFF

Controls & Features

Start Button



LEFT HANDLEBAR



- (1) start button
(2) engine stop switch

- ⚡ START
⊗ OFF
○ RUN

The start button (1) is used for starting the engine. Pushing the button in starts the engine. See *Starting Procedure*, page 55.

When the start button is pushed, the starter motor will crank the engine. The starter motor will operate even if the engine stop switch is in the OFF (⊗) position when the start button is pushed.

Engine Stop Switch



The engine stop switch (2) is used to stop the engine in an emergency. To operate, slide the switch to the OFF (⊗) position. The switch must be in the RUN (○) position to start the engine, and it should normally remain in the RUN (○) position even when the engine is OFF.

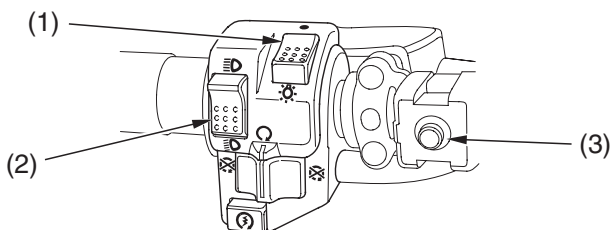
If your ATV is stopped with the ignition switch ON (I) and the engine stop switch OFF (⊗), the battery will discharge. Turn the ignition switch OFF (O) to prevent battery discharge.

Controls & Features

Headlight Switch



LEFT HANDLEBAR



(1) headlight switch

(2) headlight dimmer switch

(3) horn button



The headlight switch (1) is used to turn the headlight ON (☀) or OFF (•). To operate, turn the switch to ON (☀) or OFF (•).

Headlight Dimmer Switch



The headlight dimmer switch (2) is used to change between the high and low beams of the headlight. To operate, turn the switch to HI (☀) for high beam, LO (☀) for low beam.

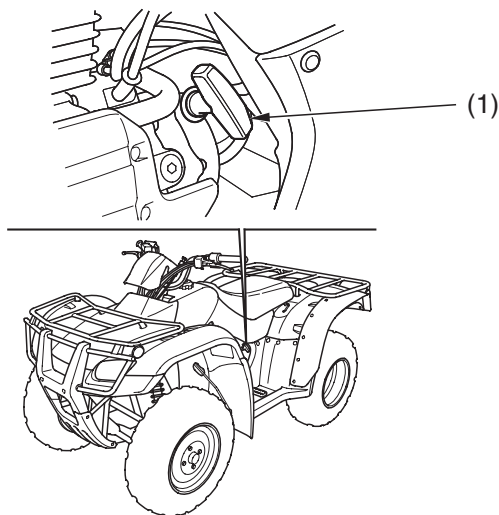
Horn Button

Press the horn button (3) to sound the horn.

Controls & Features

Recoil Starter

LEFT SIDE



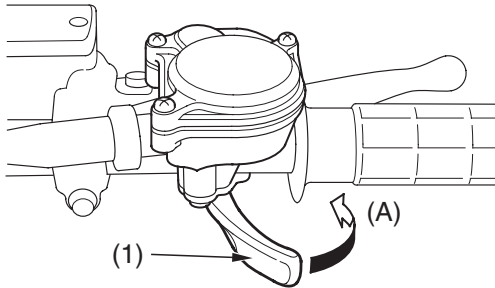
(1) recoil starter

The recoil starter (1) is used to start the engine when the battery is low. See *Using the Recoil Starter*, page 59 .

Controls & Features

Throttle Lever

RIGHT HANDLEBAR



- (1) throttle lever
- (A) to open the throttle

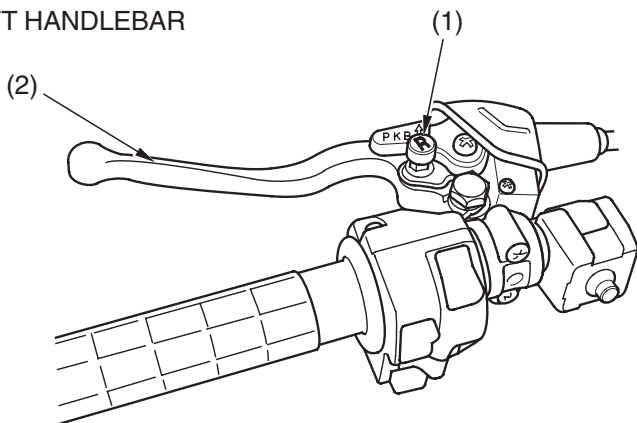
The throttle controls engine rpm (speed). To increase engine rpm, press the throttle lever (1) with your thumb. To reduce engine rpm, release pressure on the throttle lever. The throttle will automatically return to the closed position (engine idle) when you remove your thumb.

Controls & Features

Reverse Selector Knob

The reverse selector knob (1), located on the rear brake lever/parking brake lever (2), is used to shift into reverse. To operate, with your ATV stopped and the transmission in neutral (make sure the neutral indicator lights), push in the knob, squeeze the rear brake lever/parking brake lever, then depress the shift lever. See *Riding in Reverse*, page 62 .

LEFT HANDLEBAR



(1) reverse selector knob

(2) rear brake lever/
parking brake lever

Controls & Features

Front Brake Lever

The front brake lever is used to slow or stop your ATV. To operate, pull the lever. For information on braking techniques, see page 64 .

Rear Brake Lever/Parking Brake Lever

The rear brake lever/parking brake lever is used to slow or stop your ATV. To operate, pull the lever. For information on braking techniques, see page 64 .

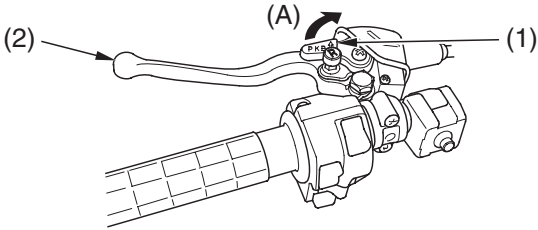
Rear Brake Pedal

The rear brake pedal is used to slow or stop your ATV. To operate, depress the pedal. For information on braking techniques, see page 64 .

Controls & Features

Parking Brake

LEFT HANDLEBAR



(1) lock lever

(2) rear brake lever/parking brake lever

(A) to lock

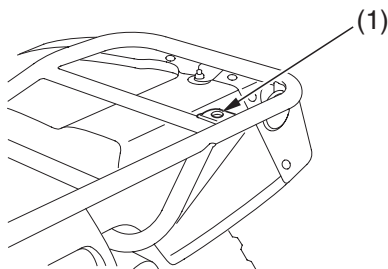
The lock lever (1) on the rear brake lever/parking brake lever (2) allows it to be used as a parking brake. To operate, first squeeze the rear brake lever/parking brake lever using your left hand and then lock it with the lock lever using your right hand. See *Parking* page 78 .

The brakelights are activated by applying the parking brake. When using the parking brake, be sure to turn the ignition switch OFF (○) to avoid discharging the battery.

Controls & Features

Flag Pole Bracket

RIGHT REAR



(1) flag pole bracket

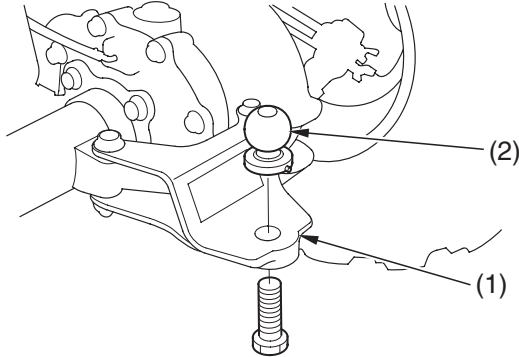
Flag poles are optional equipment available from your Honda dealer. To mount a pole in the bracket (1), follow the instructions that come with the flag pole kit.

Flag poles are required in some riding areas. Check local regulations before riding.

Controls & Features

Trailer Hitch

REAR



(1) trailer hitch

(2) ball

The trailer hitch (1) is located on the rear axle housing. To use the hitch, you'll need a proper size ball (2) as specified by the trailer manufacturer.

To attach the ball and properly hook up a trailer, follow the trailer manufacturer's instructions. For load limits and operational guidelines, see page 43 .

Before Riding

Before each ride, you need to make sure you and your Honda are both ready to ride. To help get you prepared, this section discusses how to evaluate your riding readiness, what items you should check on your ATV, and adjustments to make for your comfort, convenience, or safety. This section also includes important information about loading.

Are You Ready to Ride?	34
Protective Apparel.....	34
Rider Training	36
Age Recommendation.....	37
No Passengers	37
No Alcohol or Drugs.....	38
Is Your ATV Ready to Ride?.....	39
Pre-ride Inspection	39
Load Limits & Guidelines.....	42
Loading	42
Load Limits	43
Loading Guidelines	44
Accessories & Modifications	45
Accessories.....	45
Modifications	46

Are You Ready to Ride?

Before you ride your ATV for the first time, we urge you to:

- Read this owner's manual and the labels on your ATV carefully.
- Make sure you understand all the safety messages.
- Know how to operate all the controls.

Before each ride, be sure:

- You feel well and are in good physical and mental condition.
- You are wearing an approved motorcycle helmet (with chin strap tightened securely), eye protection, and other protective clothing.
- You don't have any alcohol or drugs in your system.

Protective Apparel

For your safety, we strongly recommend that you always wear an approved motorcycle helmet, eye protection, boots, gloves, long pants, and a long-sleeved shirt or jacket whenever you ride.

Although complete protection is not possible, wearing proper gear can reduce the chance of injury when you ride.

Following are suggestions to help you choose the proper gear.

Helmets and Eye Protection

Your helmet is your most important piece of riding gear because it offers the best protection against head injuries. A helmet should fit your head comfortably and securely.

Are You Ready to Ride?

An open-face helmet offers some protection, but a full-face helmet offers more. Always wear a face shield or goggles to protect your eyes and help your vision.

WARNING

Operating this ATV without wearing an approved motorcycle helmet, eye protection, and protective clothing could increase your chances of severe injury or death in the event of an accident.

Always wear an approved motorcycle helmet that fits properly and wear eye protection (goggles or face shield), gloves, boots, long-sleeved shirt or jacket and long pants.

Additional Riding Gear

In addition to a helmet and eye protection, we also recommend:

- Sturdy off-road motorcycle boots to help protect your feet, ankles, and lower legs.
- Off-road motorcycle gloves to help protect your hands.
- Riding pants with knee and hip pads, a riding jersey with padded elbows, and a chest/shoulder protector.

Are You Ready to Ride?

Rider Training

Developing your riding skills is an on-going process. Even if you have ridden other ATVs, take time to become familiar with how this ATV works and handles. Practice riding the ATV in a safe area to build your skills. Do not ride in rough terrain until you get accustomed to the ATV's controls, and feel comfortable with its size and weight.

WARNING

Operating this ATV without proper instruction could increase your risk of an accident which could lead to serious injury or death.

Beginning and inexperienced operators should complete the certified training course offered by Honda. They should then regularly practice the skills learned in the course and the operating techniques described in the owner's manual.

Are You Ready to Ride?

Age Recommendation

The minimum recommended age for this ATV model is 16. For safety, never let children under 16 years old operate this vehicle.

WARNING

A child using an ATV that is not recommended for their age could lose vehicle control while riding, resulting in severe injury or death.

A child under 16 should never operate an ATV with engine size greater than 90cc.

No Passengers

This ATV is designed as an operator-only vehicle. The long seat is designed to allow the rider to change body position, not for carrying a passenger. Never let a passenger ride on the seat or on the front or rear cargo racks.

WARNING

Carrying a passenger on this ATV greatly reduces your ability to balance and control this ATV and could cause a crash and you or your passenger could be injured or killed.

Never carry a passenger on this ATV.

Are You Ready to Ride?

No Alcohol or Drugs

Alcohol, drugs and ATVs don't mix. Even a small amount of alcohol can impair your ability to operate an ATV safely. Likewise, drugs—even if prescribed by a physician—can be dangerous while operating an ATV. Consult your doctor to be sure it is safe to operate a vehicle after taking medication.

WARNING

Operating this ATV after consuming alcohol or drugs can seriously affect your judgement, cause you to react more slowly, affect your balance and perception, and result in serious injury or death.

Never consume alcohol or drugs before or while operating this ATV.

Is Your ATV Ready to Ride?

Before each ride, it's important to inspect your ATV and make sure any problem you find is corrected. A pre-ride inspection is a must, not only for safety, but because having a breakdown, or even a flat tyre, can be a major inconvenience.

If your ATV has overturned or been involved in a collision, do not ride the vehicle until it has been inspected by your Honda dealer. There may be damage or other problems you cannot see.

WARNING

Improperly maintaining this ATV or failing to correct a problem before riding can cause a crash in which you can be seriously hurt or killed.

Always perform a pre-ride inspection before every ride and correct any problems.

Pre-ride Inspection

Check the following items before you get on the ATV:

Engine Oil

Check the level and add oil if needed (page 101).
Check for leaks.

Fuel

Check the level and add fuel (page 96) if needed. Also make sure the fuel fill cap is securely fastened.
Check for leaks.

(cont'd)

Is Your ATV Ready to Ride?

- Tyres* Use a gauge to check the air pressure. Adjust if needed. Also look for signs of damage or excessive wear (page 139).
- Nuts & Bolts* Check the wheels to see that the axle nuts are tightened. Use a wrench to make sure all accessible nuts, bolts, and fasteners are tight.
- Underbody & Exhaust System* Check for, and remove, any dirt, vegetation or other debris that could be a fire hazard or interfere with the proper operation of the vehicle.
- Air Cleaner Housing Drain Tube* Check for deposits in the drain tube. If necessary, clean the tube (page 111) and check the air cleaner housing.
- Leaks, Loose Parts* Walk around your ATV and look for anything that appears unusual, such as a leak or loose cable.
- Cable* Check the cable housings for wear. Check the fittings for looseness. Replace or tighten as needed.
- Lights* Make sure the headlight, brakelight and taillight are working properly.
- If you are carrying cargo, also check the following:
- Loading Limits* Make sure you do not exceed the load limits (page 43).
- Cargo* Check that all cargo is secure.

Is Your ATV Ready to Ride?

Check these items after you get on the ATV:

Throttle Check the freeplay and adjust if needed. Press the throttle to make sure it moves smoothly without sticking, and snaps shut automatically when it is released, in all steering positions (page 112).

Brakes Squeeze the front and rear brake levers and step on the rear brake pedal to check that the controls operate normally. Check for proper freeplay (pages 127 , 131 , 133). Make sure there is no brake fluid leakage.

Reverse Assist Lever Check the freeplay and adjust if needed (page 116). Make sure the lever operates smoothly without sticking.

Headlight and Headlight Dimmer Switch Check for proper function (page 25).

Engine Stop Switch Check for proper function (page 24).

Steering Check that the wheels turn properly as you steer the handlebar. Move the handlebar right and left and check that there is no excessive backlash.

Remember, be sure to take care of any problem you find, or have your Honda dealer correct it before you ride.

Load Limits & Guidelines

Your Honda was designed as a rider-only ATV. It was not designed to carry a passenger. It can carry cargo on the cargo racks, however, carrying cargo anywhere else or carrying a passenger could interfere with your balance and control of the ATV.

In addition, exceeding the weight limits or carrying an unbalanced load can seriously affect your ATV's handling, braking and stability. Adding accessories or making modifications that change this ATV's design and performance can also make it unsafe. Also, the weight of any accessories will reduce the maximum load the ATV can carry.

More specific information on load limits, accessories, and modifications follows.

Loading

How much weight you put on your ATV, and how you load it, are important to your safety. If you decide to carry cargo, you should be aware of the following information.

WARNING

Overloading, improper loading, or carrying a passenger can cause a crash and you can be seriously hurt or killed.

Follow all load limits and other loading guidelines in this manual.

Load Limits & Guidelines

Load Limits

Following are the load limits for your ATV:

There are limits to how much weight can be carried on your ATV and be pulled in a trailer.

The following load limits apply to standard equipment only. Modifying your ATV, using non-standard equipment, or riding on terrain that is not flat and smooth could further reduce these limits.

maximum weight capacity 175 kg (386 lbs)
(includes the weight of the rider, all cargo, and accessories.)

front cargo rack weight limit = 15 kg (33 lbs)
rear cargo rack weight limit = 30 kg (66 lbs)
tow weight limit = 225 kg (500 lbs)

(Combined weight of the trailer
and all cargo in the trailer)

tongue weight = 14 kg (30 lbs)
(Weight on the trailer tongue) recommended
tongue and rear cargo weight = 30 kg (66 lbs) maximum
(Combined weight on the trailer
tongue, on the rear cargo rack,
and in the storage area)

Tongue weight can be measured with an ordinary bathroom scale. Place the scale under the tongue, using either a tongue jack or other support to keep the trailer level.

The weight of added accessories will reduce the maximum cargo weight you can carry.

Load Limits & Guidelines

Loading Guidelines

Carrying cargo or pulling a trailer will affect how your ATV handles and greatly reduce its ability in accelerating, braking and making turns and other maneuvers.

Be sure to observe the weight limits and follow these guidelines:

- Check that the tyres are properly inflated.
- Do not place cargo anywhere on the ATV other than on the front and rear racks. Otherwise, operating stability may be adversely affected.
- Never ride with a passenger on the front or rear cargo racks. The ATV is not designed to carry a passenger.
- Use the trailer hitch to tow another vehicle or trailer. Do not tow by tying a rope or cable to the rear rack.
- Load cargo on the rear rack as far forward as possible. Make sure cargo on the front rack does not interfere with handlebar movement.
- Do not allow cargo to extend beyond the edges of either the front or rear racks.
- Make sure all cargo is secured before riding.
- Balance cargo weight evenly on both sides.
- Never exceed the maximum weight limit.
- When towing a trailer, take care to maintain balance and stability. Distribute cargo between the front and rear of the trailer to obtain the recommended tongue weight.
- Allow extra room for starting, stopping and turning whenever you carry cargo or pull a trailer.
- Avoid riding on steep slopes when carrying cargo or pulling a trailer.
- Never cross a slope when towing a trailer.

Accessories & Modifications

Modifying your ATV or using non-Honda accessories can make your ATV unsafe.

Before you consider making any modifications or adding an accessory, be sure to read the following information.

WARNING

Improper accessories or modifications can cause a crash in which you can be seriously hurt or killed.

Follow all instructions in this owner's manual regarding accessories and modifications.

Accessories

We strongly recommend that you use only Honda Genuine Accessories that have been specifically designed and tested for your ATV. Because Honda cannot test all other accessories, you must be personally responsible for proper selection, installation, and use of non-Honda accessories.

Check with your Honda dealer for assistance and always follow these guidelines:

- Make sure the accessory does not obscure any lights, reduce ground clearance, limit suspension travel or steering travel, or interfere with operating any controls.
- Make sure the accessory does not interfere with your ability to shift body position on the seat or operate hand and foot controls.
- Do not add any electrical equipment that will exceed the vehicle's electrical system capacity (page 186). A blown fuse can cause a loss of lights or engine power (page 175).

Accessories & Modifications

Modifications

We strongly advise you not to remove any original equipment or modify your ATV in any way that would change its design or operation. Such changes could seriously impair your ATV's handling, stability, and braking, making it unsafe to ride.

Removing or modifying your lights, exhaust system, emission control system, or other equipment can also make your ATV illegal.

Basic Operation & Riding

This section gives basic riding instructions, including how to start and stop your engine, and how to use the throttle and brakes. It also provides important information on riding with cargo.

To protect your new engine and enjoy optimum performance and service life, refer to Break-in Guidelines (page 188).

For information about carburetor adjustment for riding at high altitude, see page 189 .

Safe Riding Precautions	49
Off-road Use Only	49
Keep Hands and Feet on Controls.....	50
Control Speed.....	51
Use Care on Unfamiliar or Rough Terrain.....	52
Do Not Perform Stunts.....	53
Starting & Stopping the Engine	54
Preparation	54
Starting Procedure	55
Flooded Engine	58
How to Stop the Engine	58
Using the Recoil Starter	59
Shifting Gears	60
Riding in Reverse	62

(cont'd)

Basic Operation & Riding

Braking.....	64
Riding Your ATV	66
Making Turns	66
Skidding or Sliding	68
Riding Up Hills	69
Riding Down Hills	73
Crossing or Turning on Hills or Slopes.....	74
Riding Over Obstacles	76
Riding Through Water	77
Parking	78

Safe Riding Precautions

Before riding your ATV for the first time, please review the *ATV Safety* section beginning on page 1, and the *Before Riding* section beginning on page 33 .

Even if you have ridden other ATVs, take time to become familiar with how this ATV works and handles. Practice in a safe area until you build your skills and get accustomed to the ATV's size and weight.

Off-road Use Only

Your ATV and its tyres are designed and manufactured for off-road use only, not for pavement. Riding on pavement can affect handling and control. You should not ride your ATV on pavement.

WARNING

Operating this ATV on paved surfaces may seriously affect handling and control of the ATV, and may cause the vehicle to go out of control.

Never operate the ATV on any paved surfaces, including sidewalks, driveways, parking lots and streets.

When riding off-road, also remember to always obey local off-road riding laws and regulations. Obtain permission to ride on private property. Avoid posted areas and obey “no trespassing” signs.

(cont'd)

Safe Riding Precautions

You should never ride your ATV on public streets, roads or highways, even if they are not paved. Drivers of street vehicles may have difficulty seeing and avoiding you, which could lead to a collision. In many states it is illegal to operate ATVs on public streets, roads and highways.

WARNING

Operating this ATV on public streets, roads or highways could cause you to collide with another vehicle.

Never operate this ATV on any public street, road or highway, even a dirt or gravel one.

Keep Hands and Feet on Controls

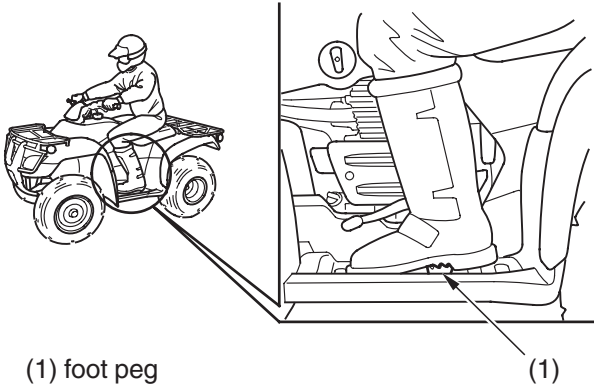
Always keep both hands on the handlebars and both feet on the footpegs when riding your ATV. This is important to maintain your balance and to control the vehicle. Removing even one hand from the handlebars or one foot from the footpegs can reduce your ability to control the ATV or could cause you to lose your balance and fall off the ATV.

WARNING

Removing hands from handlebars or feet from footpegs during operation can reduce your ability to control the ATV or could cause you to lose your balance and fall off of the ATV.

Always keep both hands on the handlebars and both feet on the footpegs of your ATV during operation.

Safe Riding Precautions



(1) foot peg

(1)

Control Speed

Riding at excessive speed increases the chance of an accident. In choosing a proper speed, you need to consider the capability of your vehicle, the terrain, visibility and other operating conditions, plus your own skills and experience.

⚠ WARNING

Operating this ATV at excessive speeds increases your chances of losing control of the ATV, which can result in an accident.

Always go at a speed that is proper for your vehicle, the terrain, visibility and other operating conditions, and your experience.

Safe Riding Precautions

Use Care on Unfamiliar or Rough Terrain

Before riding in a new area, always check the terrain thoroughly. Don't ride fast on unfamiliar terrain or when visibility is limited. (It's sometimes difficult to see obstructions like hidden rocks, bumps, or holes in time to react.)

WARNING

Failure to use extra care when operating this ATV on unfamiliar terrain could result in the ATV overturning or going out of control.

Go slowly and be extra careful when operating on unfamiliar terrain. Always be alert to changing terrain conditions when operating the ATV.

Safe Riding Precautions

Never ride past the limit of visibility. Maintain a safe distance between your ATV and other off-road vehicles. Always exercise caution, and use extra care on rough, slippery and loose terrain.

WARNING

Failure to use extra care when operating on excessively rough, slippery or loose terrain could cause loss of traction or vehicle control, which could result in an accident, including an overturn.

Do not operate on excessively rough, slippery or loose terrain until you have learned and practiced the skills necessary to control the ATV on such terrain. Always be especially cautious on these kinds of terrain.

Do Not Perform Stunts

You should always operate your ATV in a safe and reasonable manner. When riding, always keep all four wheels on the ground.

WARNING

Attempting wheelies, jumps, and other stunts increases the chance of an accident, including an overturn.

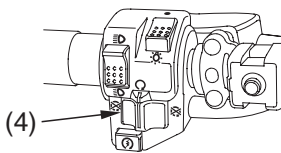
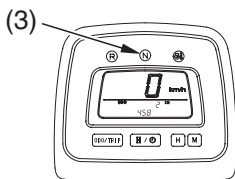
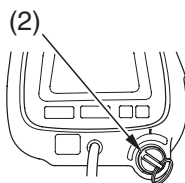
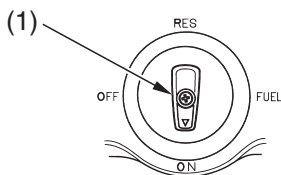
Never attempt stunts, such as wheelies or jumps. Don't try to show off.

Starting & Stopping the Engine

Always follow the proper starting procedure described below.

For your safety, avoid starting or operating the engine in an enclosed area such as a garage. Your ATV's exhaust contains poisonous carbon monoxide gas which can collect rapidly in an enclosed area and cause illness or death.

Preparation



(1) fuel valve


(2) ignition switch

(3) neutral indicator

(4) engine stop switch

1. Before starting, select a level surface and lock the parking brake (page 30).
2. Turn the fuel valve (1) and ignition switch (2) to ON.

Confirm the following:

- The transmission is in neutral, and the neutral indicator (3) is ON.
- The engine stop switch (4) is set to RUN ().

The high oil temperature indicator should go off a few seconds after the engine starts.

Starting & Stopping the Engine

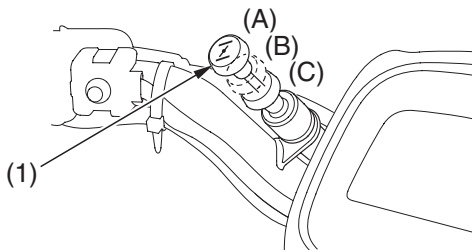
Starting Procedure

To restart a warm engine, follow the procedure for “*High Air Temperature.*”

The starter motor will operate only when the transmission is in neutral.

Normal Air Temperature 10°–35°C (50°–95°F)

LEFT HANDLEBAR



(1) choke knob

(A) fully ON

(B) halfway position

(C) fully OFF

1. Pull the choke knob (1) up all the way to fully ON (A) position, if the engine is cold.
 2. With the throttle slightly open, press the start button.
- Pressing the electric start button for more than 5 seconds at a time may cause the starter to overheat and damage the starter. Release the start button for approximately 10 seconds before pressing it again.

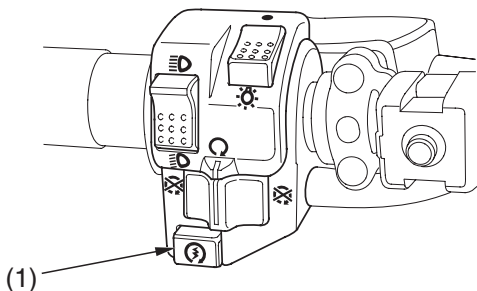
(cont'd)

Starting & Stopping the Engine

3. Immediately after the engine starts, push the choke knob down to the halfway position (B).
4. Warm up the engine by opening and closing the throttle slightly.
5. After the engine has warmed up, push the choke knob down all the way to fully OFF (C).
6. If idling is unstable, open the throttle slightly.

High Air Temperature 35°C (95°F) or above

LEFT HANDLEBAR



(1) start button

1. Do not use the choke.
2. With the throttle slightly open, press the start button (1).

Starting & Stopping the Engine

Low Air Temperature 10°C (50°F) or below

1. Follow steps 1 – 2 under “Normal Air Temperature.”
2. Warm up the engine by opening and closing the throttle slightly.
3. When the engine begins to run slightly rough, push the choke knob down to the halfway position (B).
4. Continue warming up the engine until it runs smoothly and responds to the throttle, then push the choke knob down all the way to fully OFF (C).
5. If idling is unstable, open the throttle slightly.

If the engine doesn't start after pushing the start button several times, use the recoil starter.

NOTICE

Extended use of the choke may impair piston and cylinder wall lubrication and shorten the life of the engine.

Do not race the engine during the warm-up period.
Racing a cold engine wastes fuel and increases engine wear.

Starting & Stopping the Engine

Flooded Engine

If the engine fails to start after repeated attempts, it may be flooded with excess fuel. To clear a flooded engine:

1. Move the engine stop switch to OFF (☒).
2. Push the choke knob down all the way to fully OFF.
3. Open the throttle fully.
4. Press the start button for 5 seconds (or operate the recoil starter several times).
5. Wait 10 seconds, then turn the engine stop switch to RUN (○).
6. Repeat the ‘*Normal Air Temperature*’ starting procedure, but don’t use the choke.

If the engine still won’t start, refer to *If Your Engine Quits or Won’t Start*, page 168.

How to Stop the Engine

Normal Engine Stop

To stop the engine, make sure the transmission is in neutral by checking that the neutral indicator light is on, then turn the ignition switch OFF (○).

The engine stop switch should normally remain in the RUN (○) position even when the engine is OFF.

If your ATV is stopped with the engine stop switch OFF (☒) and the ignition switch ON (|), the battery will discharge.

Emergency Engine Stop

To stop the engine in an emergency, use the engine stop switch. To operate, slide the switch to the OFF (☒) position.

Starting & Stopping the Engine

Using the Recoil Starter

The recoil starter is used to start the engine when the battery is low.

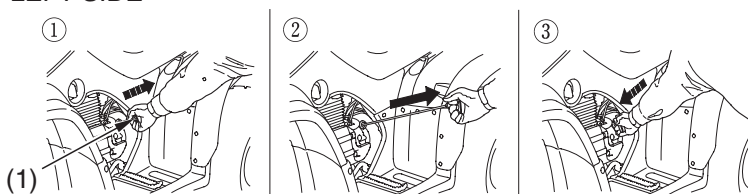
To operate the recoil starter:

1. Check that the transmission is in neutral.
2. Grasp the starter grip (1) firmly, then pull it out slowly approximately 100 mm (4 in).
3. Pull the grip up briskly and fully.
4. After the engine starts, allow the starter grip to return slowly.

Pull the recoil starter grip straight out so that the cord does not touch the side cover. Repeated contact with the side cover can damage the starter cord.

If the starter grip does not return smoothly (because of dirt in the assembly), see your Honda dealer.

LEFT SIDE



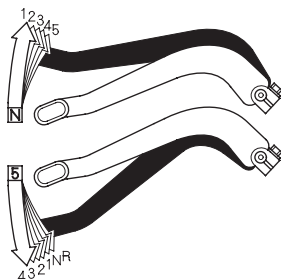
(1) recoil starter grip

The engine cannot be started if the battery is disconnected, low or dead. If the engine cannot be started with connecting the battery, charge the battery (page 150).

When the engine cannot be started even if the battery is charged, see your Honda dealer.

Shifting Gears

UP SHIFTING SEQUENCE



DOWN SHIFTING SEQUENCE

Your ATV has five forward gears: 1, 2, 3, 4, and 5.

The shift lever is located near the left footpeg. One full stroke of the shift lever shifts the transmission to the next higher or lower gear in the shifting sequence. The shift lever automatically returns to the horizontal position when released.

To upshift to a higher gear, put the toe of your boot under the shift lever and raise it one full stroke. To downshift, step on the shift lever and depress it one full stroke.

To select reverse, use the reverse selector knob (page 62).

After starting the engine and letting it warm up, follow these procedures:

1. With the transmission in neutral, release the parking brake, but continue squeezing the rear brake lever.

Shifting Gears

2. With the throttle closed, raise the shift lever one full stroke to shift into 1st (first) gear.
3. Release the rear brake lever/parking brake lever and increase engine speed by gradually opening the throttle.
4. When speed increases, release the throttle and shift to 2nd gear by raising the shift lever one full stroke.
5. Repeat this sequence to progressively upshift to 3rd, 4th and 5th (top) gear.
6. To downshift, reverse this sequence. Remember to close the throttle each time you shift to the next lower gear.

Learning when to shift gears comes with experience. Keep the following tips in mind:

- As a general rule, shift while moving in a straight line.
- Close the throttle completely before shifting. Improper shifting may damage the engine, transmission, and drive train.
- Upshift to a higher gear or reduce throttle before engine rpm (speed) gets too high. Learn the relationship between engine sound and the normal shifting points.
- Downshift to a lower gear before you feel the engine laboring (lugging) at low rpm.
- Avoid downshifting to help slow your ATV when engine rpm is high. Downshifting when engine speed is near its allowable maximum may over-rev the engine and possibly cause damage.
- To prevent transmission damage, do not coast or tow the ATV for long distances with the engine off.

Recommended Shift Points

Ride in the highest gear that lets the engine run and accelerate smoothly. This will give you good fuel economy and effective emissions control.

Riding in Reverse

If you need to ride in reverse, make sure the area behind you is clear and only operate the ATV at low speed.

⚠ WARNING

Improperly operating in reverse could cause you to hit an obstacle or person behind you, resulting in serious injury.

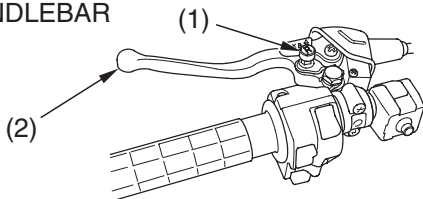
Make sure there are no obstacles or people behind you before selecting reverse gear. When it is safe to proceed, go slowly.

1. Bring the vehicle to a complete stop, then make sure the transmission is in neutral.
2. Be sure there are no obstacles or people in the way.
3. While pushing the reverse selector knob (1) in, squeeze the rear brake lever/parking brake lever (2), then depress the shift lever, see page 60.

NOTICE

Your ATV may be equipped with a reverse speed limiter, which helps the vehicle to maintain a safe speed while riding in reverse gear.

LEFT HANDLEBAR



(1) reverse selector knob

(2) rear brake lever/
parking brake lever

Riding in Reverse

4. Release the rear brake lever/parking brake lever.
5. Open the throttle gradually and ride slowly. Do not open the throttle suddenly or make abrupt turns.
6. To stop, close the throttle and gradually apply both the front and rear brakes. Do not abruptly apply the rear brake by itself.
7. To shift out of reverse and into neutral, raise the shift lever one stroke.

WARNING

Applying only the rear brake abruptly when operating in reverse gear could cause the front wheels to lift off the ground and the ATV could overturn backwards.

Carefully apply both the front and rear brakes when stopping in reverse gear.

Braking

Your ATV is equipped with drum brakes on both front wheels which are hydraulically activated by operating the front brake lever. A single drum brake on the rear axle housing is mechanically activated by depressing the brake pedal or operating the rear brake lever/parking brake lever.

As a general rule, the front braking system provides about 70 percent of total stopping power.

For full braking effectiveness, use both the pedal and lever simultaneously. Using both braking systems will stop your ATV faster with greater stability.

To slow or stop, apply the brake lever and brake pedal smoothly, while downshifting to match your speed.

Gradually increase braking as you feel the brakes slowing your speed. The increase in engine compression from downshifting will help slow your ATV.

Applying the brakes too hard may cause the wheels to lock and slide, reducing control of your ATV. If this happens, release the brake controls, steer straight ahead until you regain control, then reapply the brakes more gently.

When possible, reduce your speed or complete braking before entering a turn. Avoid braking or closing the throttle quickly while turning. Either action may cause one or more wheels to slip and reduce your control of your ATV.

Braking

Your ability to brake in a turn and to brake hard in an emergency situation are important riding skills.

When descending a long, steep grade, use engine compression braking by downshifting, with intermittent use of both brakes. Continuous brake application can overheat the brakes and reduce their effectiveness.

Riding with your foot resting on the brake pedal or your hands on the brake levers may overheat the brakes, reducing effectiveness.

For information on how to apply the brakes in various riding situations, see the following section, *Riding Your ATV*.

Riding Your ATV

Making Turns

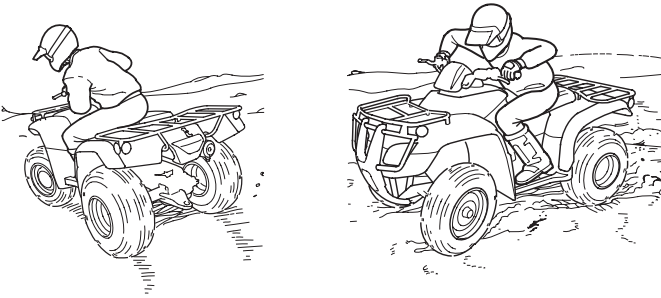
Learn how to turn your ATV properly. Practice the techniques outlined in this section on level ground and at low speeds until you are confident in making turns.

WARNING

Turning improperly can make the ATV go out of control, causing a collision or overturn.

- Always follow proper procedures for turning as described in this owner's manual.
- Practice turning at low speeds before attempting to turn at faster speeds.
- Do not turn at excessive speeds.

Riding Your ATV



Lean your body to the inside of a turn and forward.

To make a turn on level ground: Steer the handlebar and lean your body toward the inside of the turn. Leaning helps balance the vehicle, and it feels more comfortable. Leaning into a turn is an important technique to master in riding an ATV.

To make a sharp turn at low speed: It helps to shift your body slightly forward on the seat, and lean inside, as you steer the handlebar. Shifting weight forward allows the rear wheels to turn easier, and it also improves front-wheel steering.

To make a turn from a full stop: Apply the throttle gradually when you turn and start up at the same time. Remember to shift your body forward to make sharp low-speed turns and whenever you turn while accelerating from a full stop.

Riding Your ATV

Skidding or Sliding

The terrain surface can be a major factor affecting turns. Skidding during a turn is more likely to occur on slippery surfaces, such as snow, ice, mud and loose gravel. If you skid on ice, you may lose all directional control. To avoid skidding on slippery terrain, keep your speed low and ride with caution.

WARNING

Skidding or sliding improperly may cause you to lose control of this ATV. You may also regain traction unexpectedly, which may cause the ATV to overturn.

Learn to safely control skidding by practicing at low speeds and on level, smooth terrain.

If your ATV skids sideways during a turn, steer in the direction of the skid. Avoid hard braking or accelerating until you have regained directional control.

Riding Your ATV

Riding Up Hills

The ATV's ability to safely climb hills largely depends on the rider's skill and judgment. Begin by practicing on smooth, gentle slopes. As you gain experience, you'll learn the hazards and your own limitations. You may then proceed to ride on more difficult terrain. However, you must be able to decide which hills or hazards might cause the ATV to overturn. Avoid excessively steep hills.

WARNING

Operating on excessively steep hills can cause the vehicle to overturn more easily than operating on level surfaces or small hills.

Never operate the ATV on hills too steep for the ATV or for your abilities.

When climbing hills, you must shift weight toward the front wheels to help keep them on the ground. To do this, shift your body slightly forward on the seat and lean forward. For greater weight shift, move your body farther forward and lean forward.

WARNING

Climbing hills improperly could cause loss of control or cause the ATV to overturn.

Always follow proper procedures for climbing hills as described in this owner's manual.

Riding Your ATV



Shift weight forward when climbing hills.

- Always check the terrain carefully before you start up any hill.
- Never climb hills with excessively slippery or loose surfaces.
- To climb a hill, take a running start in an appropriate gear and speed for the conditions. Maintain a steady speed as you ascend the hill.
- Never open the throttle suddenly or make sudden gear changes. The ATV could flip over backward.
- Never go over the top of any hill at high speed. An obstacle, a sharp drop, or another vehicle or person could be on the other side of the hill.

Riding Your ATV

Stalling the ATV and/or Rolling Backwards:

If you incorrectly estimate climbing capability or terrain conditions, the ATV may not have enough power or traction to continue uphill. If this happens, the ATV can stall and/or roll backwards.

WARNING

Stalling, rolling backwards or improperly dismounting while climbing a hill could result in the ATV overturning.

Always follow proper procedures for climbing a hill as described in this owner's manual.

What to do if the ATV stalls or rolls backwards when climbing a hill:

If you are about to lose all forward speed:

1. Using the front and rear brakes together, bring the ATV to a stop with the vehicle pointed straight uphill.
2. Get off the ATV while you continue holding the brakes.
3. Shift into neutral, set the parking brake and turn the engine off.
4. Then assess the situation.

If the ATV starts rolling backwards before you begin braking:

1. Keep your weight uphill.
2. Carefully apply the front brakes first, then carefully apply the rear brake. Do not apply the rear brake only or abruptly if you are rolling backwards, or the vehicle may overturn.

If the ATV continues sliding backwards:

After you've applied the brakes, get off and away from the vehicle.

Riding Your ATV

What to do after the ATV has stalled or rolled backwards:

If the hill is too steep or too slippery, or if you have any doubt whether you can safely walk the ATV back down the hill, leave the vehicle where it is and get help. If possible, block the wheels so the vehicle doesn't roll backwards.

If the hill is not too steep and you have good footing, you may be able to walk the ATV back down the hill. Make sure your intended path is clear in case you lose control of the ATV.



Be sure your legs are clear of the wheels.



Body position for backing down a hill.

1. Stand with your body facing downhill, beside the vehicle so you can reach the rear brake lever/parking brake lever with your right hand.
2. Be sure your legs are clear of the wheels.
3. Check your footing.
4. Slowly and carefully back the ATV down the hill using the rear brake lever/parking brake lever to control speed.
5. If you lose control of the ATV, for your safety, get away from the vehicle.

Riding Your ATV

Riding Down Hills

It's usually advisable to descend hills with the ATV pointed straight downhill. Avoid angles that would cause the vehicle to lean sharply to one side.

⚠ WARNING

Going down a hill improperly could cause loss of control or cause the ATV to overturn.

Always follow proper procedures for going down hills as described in this owner's manual.



On downhills, shift your weight back.

As you approach a downhill, stop and survey the terrain below. Never ride past the limit of your visibility. Never go down a hill at high speed.

Riding Your ATV

When you've selected a safe downhill path, shift into a lower gear, shift your weight back with your arms extended and braced against the handlebar, then go down slowly with the throttle closed.

Use mainly the rear brake to control speed. Avoid using either the front brake or rear brake hard or abruptly when riding down hills.

Remember, braking effectiveness is reduced on any hill with a loose surface.

Crossing or Turning on Hills or Slopes

Riding on hills or slopes is different from riding on level terrain. Be careful when riding on any hill. Make sure that you practice on gentle, smooth slopes before attempting to ride on steeper or more difficult terrain.

WARNING

Improperly crossing hills or turning on hills could cause loss of control or cause the ATV to overturn.

Always follow proper procedures for crossing or turning on slopes as described in this owner's manual. Avoid crossing steep hills if possible.

Riding Your ATV

Crossing Hills or Slopes

- To maintain balance and stability when riding across a slope, you need to shift weight toward the uphill side of the vehicle. To do this, move your body off the centre of the seat and lean toward the uphill side.
- On a slippery or loose surface, you may also need to steer slightly uphill to maintain a straight course across the slope.
- Avoid crossing hills that are excessively steep, slippery or rough.



Shift weight uphill when crossing slopes.

Making Turns on Slopes

- Compared to riding on level ground, you may need to shift more weight and lean more when making turns on slopes.
- Do not make turns on any slopes until you have first mastered the techniques for making turns on level terrain.

Riding Your ATV

Riding Over Obstacles

Before operating in a new area, check for obstacles. Watch out for bumps, rain ruts, potholes and other obstacles in the terrain. When you approach any obstacle, reduce your speed and be prepared to stop. Never try to ride over large obstacles, such as large rocks or fallen logs.

WARNING

Improperly operating over obstacles could cause loss of control or a collision and could cause the ATV to overturn.

When you go over obstacles, always follow proper procedures as described in this owner's manual.

Riding Your ATV

Riding Through Water

Your ATV is designed to travel through water up to approximately 254 mm (10 inches) deep. Before crossing a stream, make sure the water is not too deep or flowing too fast.

WARNING

The ATV tyres have some ability to float. Operating this ATV through deep or fast-flowing water may cause a loss of traction and loss of control, which could lead to an accident.

Never operate this ATV in fast-flowing water or in water deeper than that specified in this owner's manual.

1. Choose a path where both banks have gradual slopes.
2. Proceed through the water at a slow, steady speed.
3. Watch out for submerged obstacles and slippery rocks.
4. Avoid getting the spark plug or air cleaner wet, as this would cause the engine to stop.
5. After leaving the water, always test both the front and rear brakes.
 - Riding through water can make the brakes less effective than normal, and may reduce stopping ability.
 - If necessary, apply the brakes repeatedly until they dry out and operate normally.
 - If the brakes don't regain effectiveness, stop your ATV and follow the procedures on page 138.

Parking

1. Look for level parking area. Make sure the ground surface is firm.
2. After bringing your ATV to a stop, hold the brakes while you shift into neutral.
3. Set the parking brake.
4. Turn the ignition switch OFF (○).
5. If you're finished riding for the day, turn the fuel valve OFF.

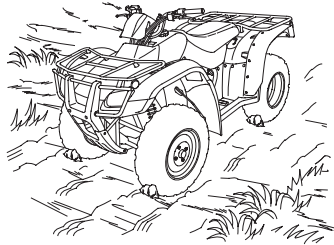
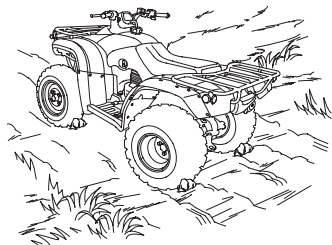
If it is necessary to start the engine when your ATV is in gear and is stopped on a grade, rock the vehicle back and forth to allow shifting the transmission into neutral.

The brakelights are activated by applying the parking brake. When using the parking brake, be sure to turn the ignition switch OFF (○) to avoid discharging the battery.

Parking on a Steep Incline or a Loose or Slippery Surface

If you must park your ATV on a steep incline or loose or slippery surface, use the following procedure:

1. While holding the brakes, set the parking brake.
2. Turn the ignition switch OFF (○) and release the brakes.
3. If the ATV begins to move, either while sitting on it or after you dismount, find a better parking location.
4. If rocks or other objects are available, you can block the wheels as shown for additional security.



Servicing Your Honda

To help keep your ATV in good shape, this section includes a Maintenance Schedule for required service and step-by-step instructions for specific maintenance tasks. You'll also find important safety precautions, information on fuels and oils, and tips for keeping your Honda looking good.

For information about replacing fuses, see page 175 .

Before You Service Your Honda

The Importance of Maintenance	81
Maintenance Safety	82
Important Safety Precautions	83
Maintenance Schedule	84
Maintenance Record.....	88

Service Preparations

Maintenance Component Locations.....	89
Tool Kit	92
Owner's Manual Storage.....	93
Seat Removal	94

(cont'd)

Servicing Your Honda

Service Procedures

Fluids & Filters

Fuel	95
Engine Oil	98
Gear Case Oil	105
Air Cleaner	107

Engine

Throttle.....	112
Carburetor Choke Cable & Knob.....	114
Clutch System	115
Reverse Lock System.....	116
Engine Idle Speed and Air-Fuel Mixture	117
Spark Plug	119
Valves.....	122
Spark Arrester	123

Chassis

Brakes.....	124
Tyres	139
Engine Guard & Skid Plates.....	145

Electrical

Battery	146
---------------	-----

Appearance Care	151
-----------------------	-----

The Importance of Maintenance

A well-maintained ATV is essential for safe, economical, and trouble-free riding. It will also help reduce air pollution. Careful pre-ride inspections and good maintenance are especially important because your ATV is designed to be ridden over rough off-road terrain.

To help you properly care for your ATV, this section of the manual provides a Maintenance Schedule. The service intervals in this schedule are based on average riding conditions.

More frequent service is needed if you subject your ATV to severe use or ride in unusually wet or dusty areas.

WARNING

Improperly maintaining this ATV or failing to correct a problem before you ride can cause a crash in which you can be seriously hurt or killed.

Always follow the inspection and maintenance recommendations and schedules in this owner's manual.

Frequent servicing of the air cleaner is especially important to help you avoid a possible costly engine repair.

If your ATV overturns or is involved in a crash, be sure your Honda dealer inspects all major parts, even if you are able to make some repairs.

Maintenance Safety

This section includes instructions on how to perform some important maintenance tasks. If you have basic mechanical skills, you can perform many of these tasks with the tools provided with your ATV.

Other tasks that are more difficult and require special tools are best performed by professionals. Removing the wheels should normally be handled only by a Honda technician or other qualified mechanic. Instructions are included in this manual only to assist in emergency service.

Some of the most important safety precautions follow. However, we cannot warn you of every conceivable hazard that can arise in performing maintenance. Only you can decide whether or not you should perform a given task.

WARNING

Failure to properly follow maintenance instructions and precautions can cause you to be seriously hurt or killed.

Always follow the procedures and precautions in this owner's manual.

Maintenance Safety

Important Safety Precautions

- Make sure the engine is off before you begin any maintenance or repairs. This will help eliminate several potential hazards:
 - Carbon monoxide poisoning from engine exhaust.** Be sure there is adequate ventilation whenever you operate the engine.
 - Burns from hot ATV parts.** Let the engine and exhaust system cool before touching.
 - Injury from moving parts.** Do not run the engine unless instructed to do so.
- Read the instructions before you begin, and make sure you have the tools and skills required.
- To reduce the possibility of a fire or explosion, be careful when working around petrol. Use only non-flammable solvent, not petrol, to clean parts. Keep cigarettes, sparks, and flames away from all fuel-related parts.

Remember that your Honda dealer knows your ATV best and is fully equipped to maintain and repair it. To ensure the best quality and reliability, use only new Honda Genuine Parts or other equivalents for repair and replacement. If you have the tools and skills required for additional maintenance jobs, you can purchase an official Honda Shop Manual.

Maintenance Schedule

The required Maintenance Schedule that follows specifies how often you should have your ATV serviced, and what things need attention. It is essential to have your ATV serviced as scheduled to maintain safe, dependable performance and proper emission control.

The service intervals in this Maintenance Schedule are based on average riding conditions. Some items will need more frequent service if you ride in unusually wet or dusty areas or at full throttle. Consult your Honda dealer for recommendations applicable to your individual needs and use.

Some items in the Maintenance Schedule can be performed with basic mechanical skills and hand tools. Procedures for these items are provided in this manual. Other items involve more extensive procedures and may require special training, tools, and equipment. We recommend that you have your Honda dealer perform these tasks unless you have advanced mechanical skills and the required tools and equipment. Procedures for such items in this schedule are provided in an official Honda Shop Manual available for purchase.

If you do not feel capable of performing a given task or need assistance, remember that your Honda dealer knows your ATV best and is fully equipped to maintain and repair it. If you decide to do your own maintenance, use only Honda Genuine Parts or their equivalents for repair or replacement to ensure the best quality and reliability.

Maintenance Schedule

Perform the pre-ride inspection (page 39) and owner maintenance on this section at each scheduled maintenance period.

Each item on the maintenance schedule requires some mechanical knowledge. Certain items (particularly those marked * and **) may require more technical information and tools. Consult your Honda dealer.

- * Should be serviced by your Honda dealer, unless you have the proper tools and service data, and are mechanically qualified. Refer to the official Honda Shop Manual.
- ** In the interest of safety, we recommend these items be serviced only by your Honda dealer.

Summary of Maintenance Schedule Notes & Procedures:

NOTES:

1. Service more frequently when riding in dusty areas, sand or snow.
2. Service more frequently after riding in very wet or muddy conditions.
3. Replace every 2 years. Replacement requires mechanical skill.

Maintenance Schedule

Maintenance Procedures:

I: inspect and clean, adjust, lubricate, or replace, if necessary

C: clean

A: adjust

L: lubricate

R: replace

	FREQUENCY ITEMS	WHICHEVER COMES FIRST ⇨ NOTE	km		mi		INITIAL MAINT.	REGULAR MAINT. INTERVAL		Refer to page
			150		100		2000	2000		
			100		600		1200	1200		
			HOURS		20		100	200		
*	FUEL LINE							I		—
*	THROTTLE OPERATION							I		112
*	CARBURETOR CHOKE							I		114
	AIR CLEANER	NOTE 1						C	C	107–110
	AIR CLEANER HOUSING DRAIN TUBE	NOTE 2						I	I	111
	SPARK PLUG							I	I	119
*	VALVE CLEARANCE							I	I	122
	ENGINE OIL							INITIAL=150km (100mi), 20 operating hours or 1 month : R REGULAR=Every 1000km (600mi), 100 operating hours or 12 months : R		98–104
**	ENGINE OIL STRAINER SCREEN								C	—
**	ENGINE OIL CENTRIFUGAL FILTER								C	—
*	ENGINE IDLE SPEED							I	I	117

* Should be serviced by your Honda dealer, unless you have the proper tools and service data, and are mechanically qualified. Refer to the official Honda Shop Manual.

** In the interest of safety, we recommend these items be serviced only by your Honda dealer.

Maintenance Schedule

ITEMS	FREQUENCY	WHICHEVER COMES FIRST		INITIAL MAINT.	REGULAR MAINT. INTERVAL		Refer to page
		NOTE	km	150	1000	2000	
			mi	100	600	1200	
		HOURS	20	100	200		
REAR FINAL GEAR CASE OIL					(R:EVERY 2 YEARS)	I	105 – 106
* BRAKE FLUID	NOTE 3					I	124 – 126
* BRAKE SHOE WEAR	NOTE 1					I	136
* BRAKE LIGHT SWITCH				I	I	I	137
BRAKE SYSTEM				I	I	I	124 – 138
* REVERSE LOCK SYSTEM				I	I	I	116
SKID PLATES, ENGINE GUARD						I	145
* CLUTCH SYSTEM				I	I	I	115
* SUSPENSION						I	—
* SPARK ARRESTER					C	C	123
* NUTS, BOLTS, FASTENERS				I		I	—
** WHEELS/TYRES				I	I	I	—
** TIE-ROD AND JOINT BOOTS				I	I	I	—
** STEERING SHAFT HOLDER BEARINGS						I	—
** STEERING SYSTEM						I	—

* Should be serviced by your Honda dealer, unless you have the proper tools and service data, and are mechanically qualified. Refer to the official Honda Shop Manual.

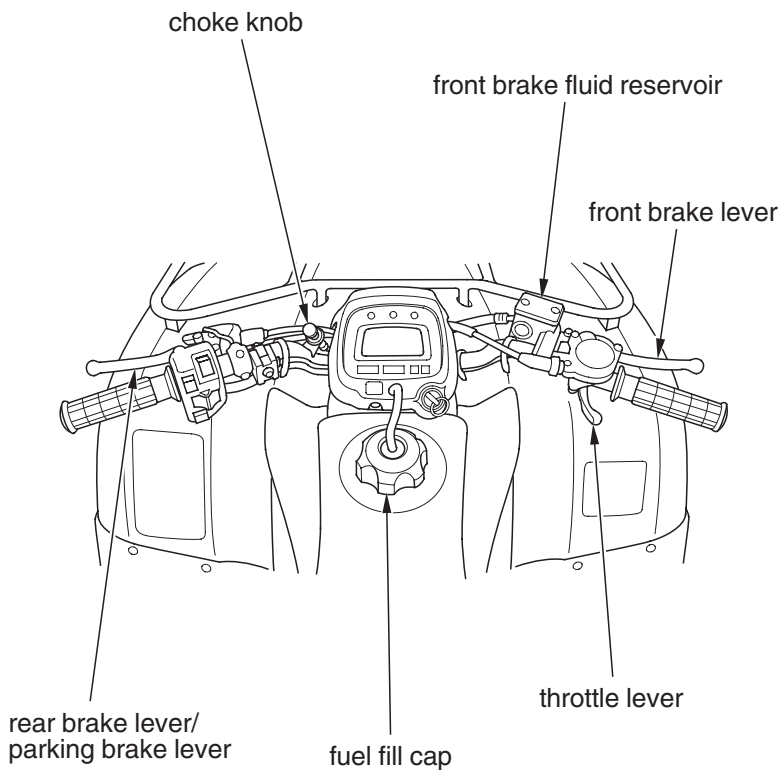
** In the interest of safety, we recommend these items be serviced only by your Honda dealer.

Maintenance Record

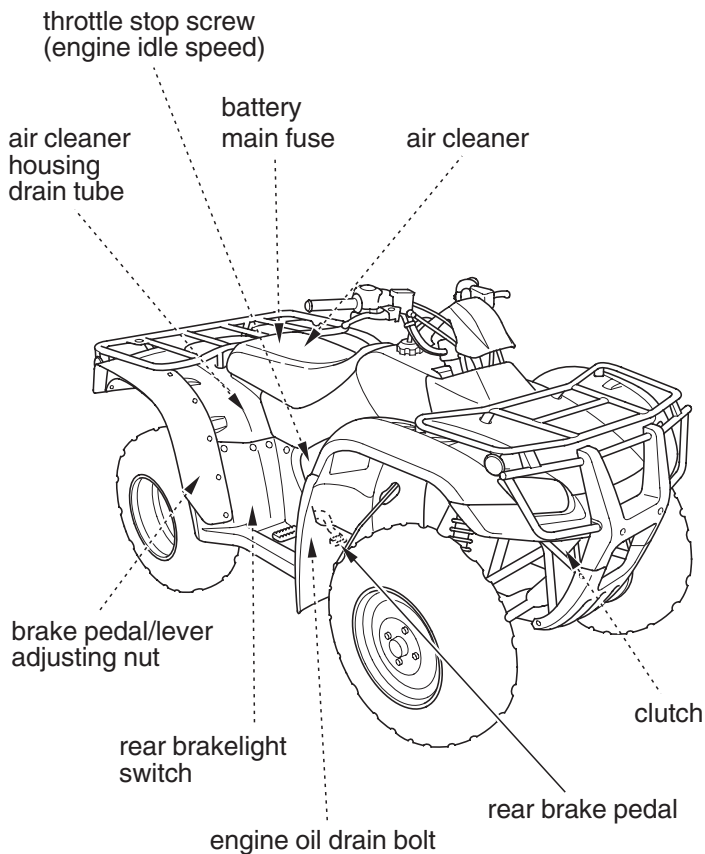
Keeping an accurate maintenance record will help ensure that your ATV is properly maintained. Retain detailed receipts to verify the maintenance was performed. If the ATV is sold, these receipts should be transferred with the ATV to the new owner. Make sure whoever performs the maintenance completes this record. All scheduled maintenance, including the 150 km (100 mile) or 20 hours initial maintenance, is considered a normal owner operating cost and will be charged for by your dealer. Use the space under Notes to record anything you want to remind yourself about or mention to your dealer.

km (Miles) or hours	ODO or HOUR	Date	Performed By:	Notes
150 (100) or 20				
1,000 (600) or 100				
2,000 (1,200) or 200				
3,000 (1,800) or 300				
4,000 (2,400) or 400				
5,000 (3,000) or 500				
6,000 (3,600) or 600				
7,000 (4,200) or 700				
8,000 (4,800) or 800				

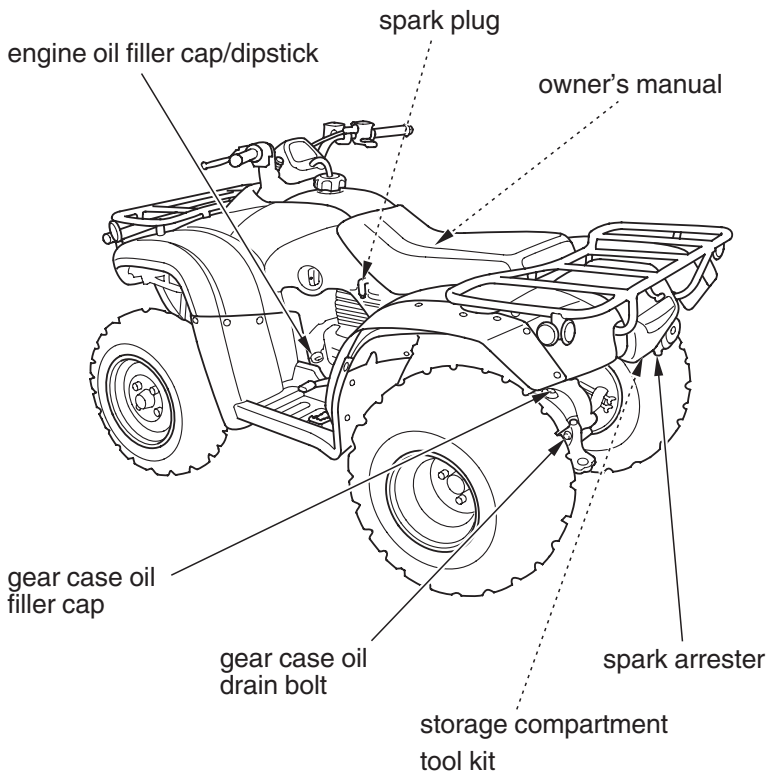
Maintenance Component Locations



Maintenance Component Locations



Maintenance Component Locations



Tool Kit

The tool kit (1) is stored in the storage compartment (2) below the rear cargo rack.

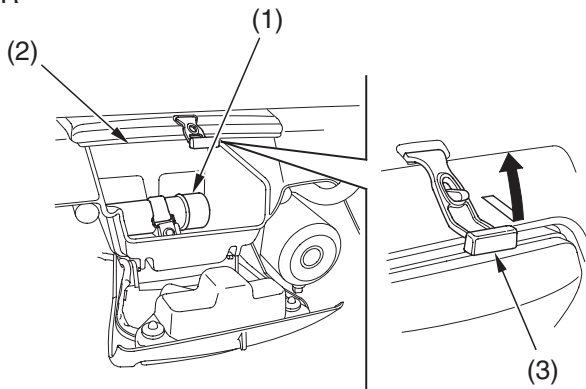
To open the compartment, unhook the rubber strap (3).

The tools in the kit are sufficient to perform routine maintenance and simple repairs. Any extensive work requiring additional tools should be performed by your Honda dealer.

The tool kit includes the following items:

- * standard/Phillips screwdriver
- * screwdriver handle
- * spark plug wrench
- * air pressure gauge
- * tool case

REAR



(1) tool kit
(2) storage compartment

(3) rubber strap

Owner's Manual Storage

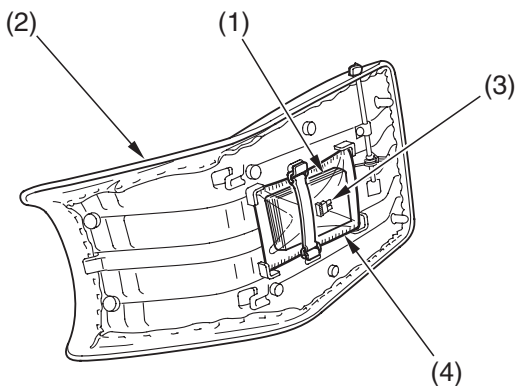
Your ATV provides storage for the owner's manual so you'll have it with you for easy reference. Store your owner's manual (1) in the plastic document bag (4) underside of the seat (2).

The owner's manual and spare fuse (3) should be stored in the plastic document bag (4).

To remove the seat, see page 94.

Be careful not to flood this area when washing your ATV or riding through water.

SEAT UNDERSIDE



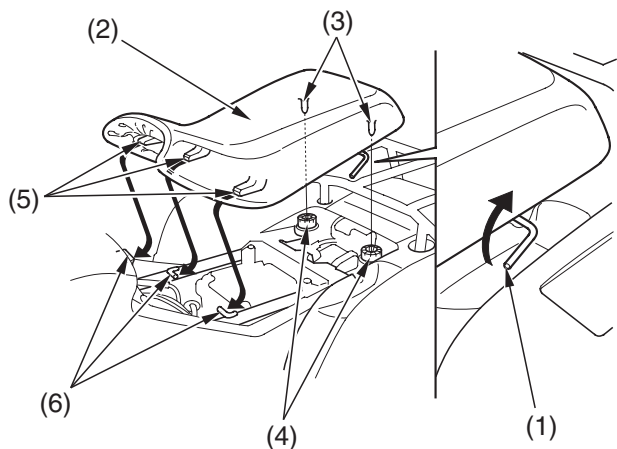
(1) owner's manual
(2) seat

(3) spare fuse
(4) plastic document bag

Seat Removal

Refer to *Safety Precautions* on page 83 .

The seat must be removed for air cleaner, battery and fuse maintenance.



(1) seat lock lever

(2) seat

(3) studs

(4) grommets

(5) front prongs

(6) hooks

Removal

1. Pull the seat lock lever (1) at the left side of the seat.
2. Pull the seat (2) up from the rear to remove the studs (3) from the grommets (4).
3. Slide the seat back and up.

Installation

1. Insert the front prongs (5) into the hooks (6) on the frame and press the studs into the grommets.
2. Press down on the seat until it locks.

Refer to *Safety Precautions* on page 83 .

Fuel Recommendation

type	unleaded
research octane number	91(or higher)

We recommend that you use unleaded fuel because it produces fewer engine deposits and extends the life of exhaust system components.

Your engine is designed to use any petrol that has a pump octane number $(R+M)/2$ of 86 or higher, or a research octane number of 91 or higher. Petrol pumps at service stations normally display the pump octane number. For information on the use of *Petrol Containing Alcohol*, see page 190 .

Use of lower octane petrol can cause persistent “pinging” or “spark knock” (a loud rapping noise) which, if severe, can lead to engine damage. Light pinging experienced while operating under a heavy load, such as climbing a hill, is no cause for concern.

If pinging or spark knock occurs at a steady engine speed under normal load, change brands of petrol. If pinging or spark knock persists, consult your Honda dealer.

Never use stale or contaminated petrol or an oil/petrol mixture. Avoid getting dirt, dust, or water in the fuel tank.

Fuel

Fuel Capacity

Fuel tank capacity, including reserve:

9.1 ℓ (2.40 US gal , 2.00 Imp gal)

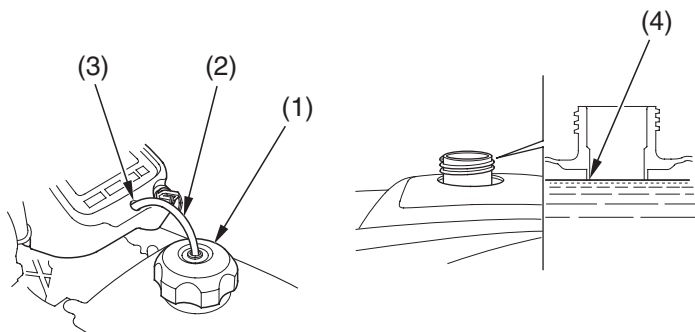
Reserve capacity:

2.4 ℓ (0.63 US gal , 0.53 Imp gal)

The tank should be refilled as soon as possible after switching to reserve, and the fuel valve should be returned to the ON position after refueling to avoid running out of fuel with no reserve.

Refueling Procedure

Refer to *Safety Precautions* on page 83 .



(1) fuel fill cap

(2) breather tube

(3) handlebar cover hole

(4) filler neck

1. To open the fuel fill cap (1), turn it counterclockwise.
2. Pull the breather tube (2) out of the handlebar cover hole (3).
3. Add fuel until the level reaches the bottom of the filler neck (4).

Avoid over filling the tank. There should be no fuel in the filler neck.

WARNING

Petrol is highly flammable and explosive. You can be burned or seriously injured when handling fuel.

- Stop the engine and keep heat, sparks and flame away.
- Handle fuel only outdoors.
- Wipe up spills immediately.

4. After refueling, turn the fuel fill cap clockwise until it clicks.
5. Insert the breather tube into the handlebar cover hole.
6. If the fuel valve was set to RES, turn the fuel valve ON.

If you replace the fuel fill cap, use only a Honda Genuine replacement part.

Engine Oil

Engine oil quality is a major factor that affects both the performance and the service life of the engine.

Using the proper oil (page 99) and filter, and regularly checking, adding, and changing oil will help extend your engine's life. Even the best oil wears out. Changing oil helps get rid of dirt and deposits in the engine. Operating the engine with old or dirty oil can damage your engine. Running the engine with insufficient oil can cause serious damage to the engine and transmission.

Change the engine oil as specified in the maintenance schedule on page 86. When running in very dusty conditions, oil changes should be performed more frequently than specified in the maintenance schedule.

Engine Oil

Oil Recommendation

API classification *	SE,SF or SG
viscosity (weight)	SAE 10W-40
suggested oil	Honda 4-stroke oil or an equivalent

* Motor oils intended for Service SE, SF or SG will show this designation on the container.

- Your ATV does not need oil additives. Use the recommended oil.
- Do not use oils with graphite or molybdenum additives. They may adversely affect clutch operation.
- Do not use API SH or higher oils displaying a circular API “energy conserving” service label on the container. They may affect lubrication and clutch performance.



NOT RECOMMENDED

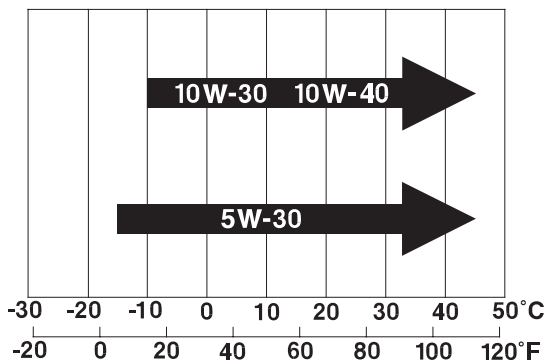


OK

- Do not use non-detergent, vegetable, or castor based racing oils.

Engine Oil

Other viscosities shown in the following chart may be used when the average temperature in your riding area is within the indicated range.

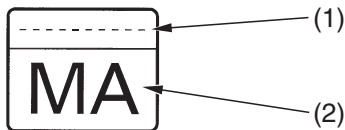


JASO T 903 standard

The JASO T 903 standard is an index for engine oils for 4-stroke motorcycle engines.

There are two classes: MA and MB.

Oil conforming to the standard is labeled on the oil container. For example, the following label shows the MA classification.



PRODUCT MEETING JASO T 903
COMPANY GUARANTEEING THIS MA PERFORMANCE:

- (1) code number of the sales company of the oil
- (2) oil classification

Checking & Adding Oil

Refer to *Safety Precautions* on page 87 .

Check the engine oil level each day before operating your ATV and add if needed.

Before riding your ATV, check the engine oil level.

1. Park your ATV on a firm, level surface.
2. Start the engine in a well-ventilated area and let it idle for 3–5 minutes. Stop the engine and wait 2–3 minutes.
3. Remove the oil filler cap/dipstick (1) from the front crankcase cover and wipe it clean.
4. Insert the oil filler cap/dipstick without screwing it in, then remove the oil filler cap/dipstick and check the oil level. The oil level should be between the upper level mark (2) and the lower level mark (3) on the oil filler cap/dipstick.

(cont'd)

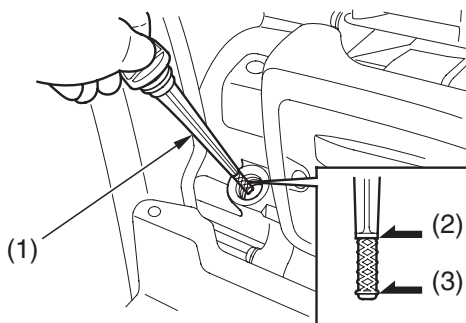
Engine Oil

- If required, add the specified oil into the filler cap hole, up to the upper level mark on the oil filler cap/dipstick. Do not overfill.
- Reinstall the oil filler cap/dipstick.

NOTICE

Running the engine with an improper oil level can cause serious engine damage.

LEFT SIDE



(1) oil filler cap/dipstick

(2) upper level mark

(3) lower level mark

Engine Oil

Changing Engine Oil

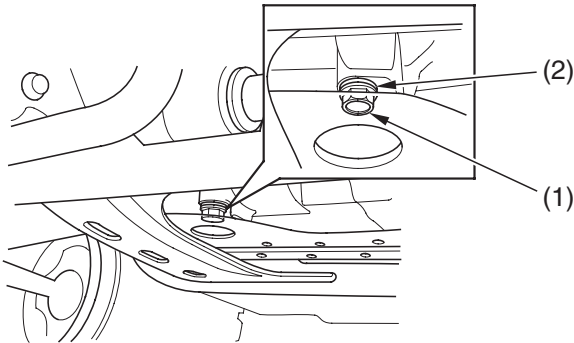
Refer to *Safety Precautions* on page 83 .

This procedure requires mechanical skill and professional tools such as a torque wrench, as well as a means for disposing of the drained fluid (page 164). If you do not have the skills or the tools, see your Honda dealer.

Drain the Engine Oil:

1. With the ATV on the level ground, remove the oil filler cap/dipstick from the front crankcase cover.
2. Place an oil drain pan under the crankcase and remove the engine oil drain plug (1) and sealing washer (2).

UNDER ENGINE



(1) engine oil drain plug

(2) sealing washer

(cont'd)

Engine Oil

3. Pour the drained oil into a suitable container and dispose of it in an approved manner (page 164).

NOTICE

Improper disposal of drained fluids is harmful to the environment.

Add Engine Oil:

1. Check that the drain plug sealing washer is in good condition. If necessary, replace the sealing washer.
2. Reinstall the engine oil drain plug and tighten it to the specified torque:
25 N·m (2.5 kgf·m , 18 lbf·ft)
3. Fill the crankcase with the recommended grade oil approximately:
1.5 ℓ (1.6 US qt , 1.3 Imp qt)
4. Reinstall the oil filler cap/dipstick.
5. Start the engine and let it idle for 3—5 minutes.
6. Stop the engine and check the oil level. Make sure the oil is between the upper and lower level marks on the oil filler cap/dipstick. If necessary, add more oil but do not overfill.
7. Check that there are no oil leaks.

If a torque wrench is not used for installation, see your Honda dealer as soon as possible to verify proper assembly.

Gear Case Oil

Oil Recommendation

type	hypoid gear oil
viscosity (weight)	SAE 80

Changing Oil

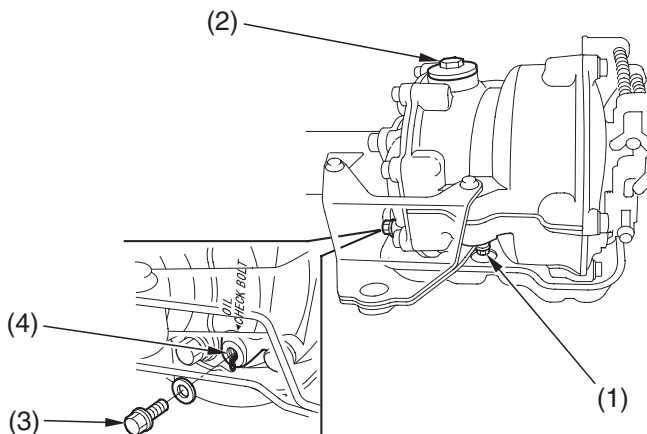
Refer to *Safety Precautions* on page 83.

Change the oil with the gear case at normal operating temperature to assure complete and rapid draining.

Gear Case Oil

1. Park the ATV on level ground.
2. Place an oil drain pan under the oil drain plug (1).
3. Remove the oil filler cap (2) and the drain plug.
4. After the oil has completely drained, reinstall the drain plug and tighten it to the specified torque:
12 N·m (1.2 kgf·m , 9 lbf·ft)
5. Fill the gear case with the recommended oil.
80 cm³ (2.7 US oz , 2.8 Imp oz)
6. Remove the oil level check bolt (3). Make sure the oil level reaches the oil level check hole (4).
7. Install the oil filler cap and oil level check bolt.

REAR



(1) oil drain plug
(2) oil filler cap

(3) oil level check bolt
(4) oil level check hole

Air Cleaner

Refer to *Safety Precautions* on page 83 .

Proper air cleaner maintenance is very important for off-road vehicles. A dirty, water-soaked, worn-out, or defective air cleaner will allow dirt, dust, mud, and other impurities to pass into the engine.

Service the air cleaner more frequently if you ride in unusually wet or dusty areas. Your Honda dealer can help you determine the correct service interval for your riding conditions.

Your ATV's air cleaner has very specific performance requirements. Use a new Honda Genuine air cleaner specified for your model or an air cleaner of equal quality.

NOTICE

Using the wrong air cleaner may result in premature engine wear.

Proper air cleaner maintenance can prevent premature engine wear or damage, expensive repairs, low engine power, poor gas mileage, and spark plug fouling.

NOTICE

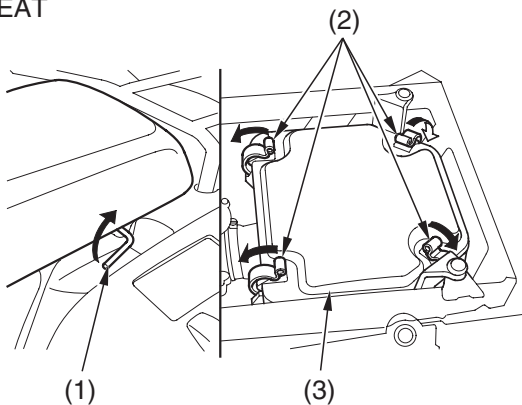
Improper or lack of proper air cleaner maintenance can cause poor performance and premature engine wear.

Air Cleaner

Cleaning

1. Remove the seat by pulling the seat lock lever (1) up (page 94).

UNDER SEAT



(1) seat lock lever

(2) retainer clips

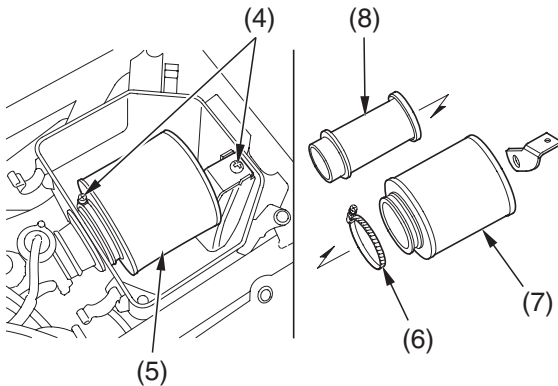
(3) air cleaner housing cover

2. Unlatch the retainer clips (2).
3. Remove the air cleaner housing cover (3).

Air Cleaner

- Loosen the screws (4) and remove the air cleaner assembly (5) from the air cleaner housing.
- Unscrew the clamp (6).
- Remove the air cleaner (7) from the air cleaner body (8).
- Gently wash the air cleaner in clean, non-flammable (high flash point) solvent such as kerosene — not petrol. After cleaning, gently squeeze out the remaining solvent. Avoid twisting or wringing the air cleaner. This can tear the foam.
- Inspect for tears or cracks in the foam or seams of the air cleaner. Replace the air cleaner if it is damaged.
- Allow the air cleaner to dry thoroughly before applying oil. A wet air cleaner will not fully absorb the oil.
- Pour clean air filter oil over the entire surface of the air cleaner. Use both hands to evenly spread the oil into the air cleaner. Gently squeeze out any excess oil. (To keep your hands dry, place the air cleaner in a clean plastic bag before spreading the oil into the air cleaner.)

UNDER SEAT



- (4) screws
(5) air cleaner assembly
(6) clamp

- (7) air cleaner
(8) air cleaner body

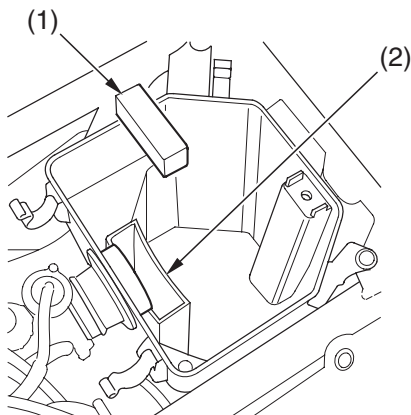
(cont'd)

Air Cleaner

11. Install the air cleaner on the air cleaner body.
12. Apply a thin coat of grease to the sealing surface of the air cleaner assembly.
13. Install the clamp.
14. Insert the air cleaner assembly into the air cleaner housing.
15. Fasten the screws.

Dust Cover

UNDER SEAT



(1) dust cover

(2) air cleaner housing

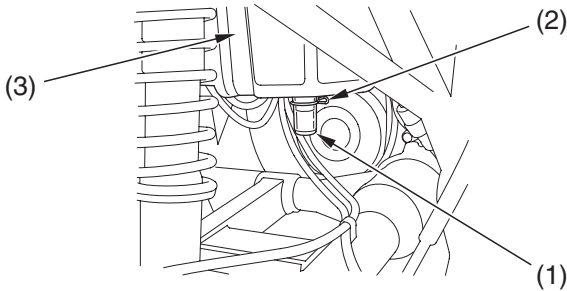
Do not push the dust cover (1) too far into the air cleaner housing (2).
If the dust cover is dirty, clean it.

Air Cleaner

Air Cleaner Housing Drain Tube

The air cleaner housing drain tube should be serviced in accordance with the Maintenance Schedule. (Riding through water may require more frequent inspection.) If deposits can be seen in the drain tube, the tube must be cleaned before starting the vehicle.

REAR



(1) drain tube
(2) clip

(3) air cleaner housing

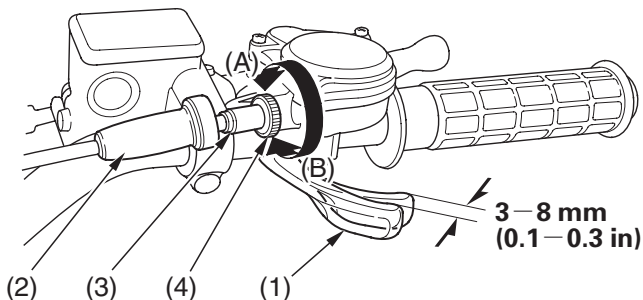
1. Remove the drain tube (1) by removing the clip (2) under the air cleaner housing (3).
2. Drain the deposits.
3. Reinstall the drain tube, securing it with the clip.

Throttle

Throttle Freeplay

Refer to *Safety Precautions* on page 83 .

RIGHT HANDLEBAR



- | | |
|-----------------------------|-----------------------|
| (1) throttle lever | (4) lock nut |
| (2) rubber sleeve | (A) decrease freeplay |
| (3) throttle cable adjuster | (B) increase freeplay |

Inspection

Check freeplay at the throttle lever (1).

Freeplay:

3–8 mm (0.1–0.3 in)

Adjustment

1. Slide the rubber sleeve (2) back to expose the throttle cable adjuster (3).
2. Loosen the lock nut (4).
3. Turn the adjuster to obtain the correct freeplay.
4. Tighten the lock nut and reinstall the sleeve.
5. After adjustment, check for smooth operation of the throttle lever from fully closed to fully open in all steering positions.

Throttle Inspection

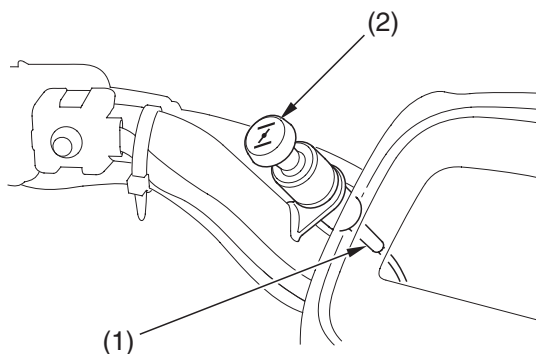
Refer to *Safety Precautions* on page 83 .

1. Check that the throttle assembly is positioned properly and the securing bolts are tight.
2. Check for smooth operation of the throttle lever from fully open to fully closed in all steering positions. If there is a problem, see your Honda dealer.
3. Inspect the condition of the throttle cables from the throttle lever down to the carburetor. If the cable is kinked or chafed, have it replaced.
4. Check the cables for tension or stress in all steering positions.
5. Lubricate the cables with a commercially available cable lubricant to prevent premature wear and corrosion.

Carburetor Choke Cable & Knob

Refer to *Safety Precautions* on page 83 .

LEFT HANDLEBAR



(1) choke cable

(2) choke knob

1. Check the condition of the choke cable (1).
2. Check the operation of the choke knob (2).

If the cable is damaged or kinked, have it replaced by your Honda dealer.

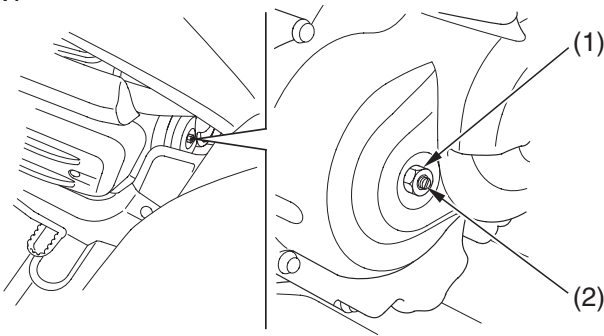
Clutch System

Your ATV's shift-activated, wet, multiplate clutch is part of the primary drive system. Proper adjustment allows a smooth, gradual engagement when shifting gears.

Clutch Adjustment

Refer to *Safety Precautions* on page 83.

FRONT



(1) lock nut

(2) clutch adjuster

1. Make sure the ignition switch is OFF (\circ).
2. Loosen the lock nut (1).
3. Turn the clutch adjuster (2) counterclockwise until you feel slight resistance.
4. Turn the adjuster 1/4 turn clockwise, then tighten the lock nut to hold the adjuster in this position.
5. After adjustment, start the engine and test ride your ATV to be sure the clutch is operating properly.

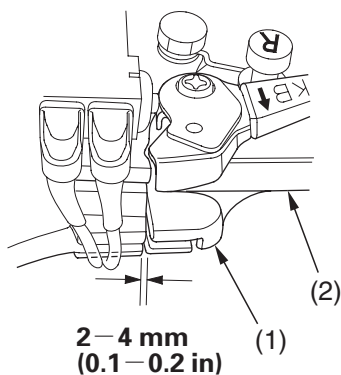
If you cannot get proper adjustment, or the clutch does not work properly, the cable or clutch friction discs may be worn. See your Honda dealer or refer to official Honda Shop Manual.

Reverse Lock System

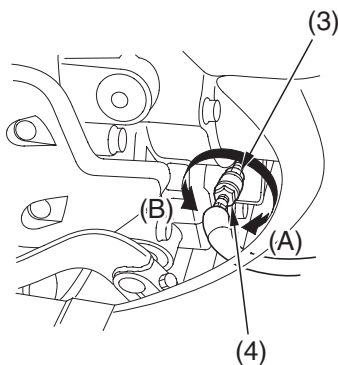
Reverse Lock System Adjustment

Refer to *Safety Precautions* on page 83 .

LEFT HANDLEBAR



- (1) reverse assist lever
(2) rear brake lever/
parking brake lever
(3) lock nut



- (4) adjusting nut
(A) decrease freeplay
(B) increase freeplay

1. Check the reverse assist lever (1) freeplay, measured at the rear brake lever/parking brake lever (2) end near the cable:
2-4 mm (0.1-0.2 in)
2. To adjust, loosen the lock nut (3) and turn the adjusting nut (4).
After adjustment, tighten the lock nut securely.

Other Checks

Check the reverse assist lever and cable for loose connections or other damage. If the cable is worn or kinked, have it replaced by your Honda dealer.

Engine Idle Speed and Air-Fuel Mixture

The best way to assure proper carburetion is to see your Honda dealer for regularly scheduled servicing, including carburetor adjustment.

Remember, idle speed adjustment is not a “cure-all” for other problems in your engine’s fuel-delivery system. Adjusting the idle will not compensate for a fault elsewhere.

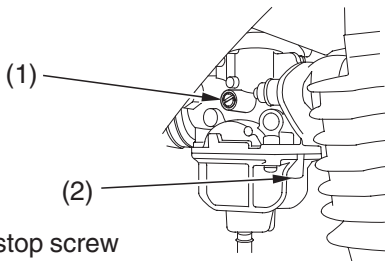
The engine must be at normal operating temperature for accurate idle speed adjustment.

For information about high altitude carburetor adjustment, see page 189.

Idle Speed Adjustment

Refer to *Safety Precautions* on page 83.

RIGHT SIDE



(1) throttle stop screw

(2) pilot screw

1. If the engine is cold, start it and warm it up with 10 minutes of stop-and-go riding. Stop the engine.
2. Park your ATV on a firm, level surface.
3. Connect a tachometer to the engine.
4. Shift into neutral. Start the engine.
5. Adjust idle speed by turning the throttle stop screw (1).

Idle speed (in neutral):

$1,400 \pm 100 \text{ min}^{-1} (\text{rpm})$

Engine Idle Speed and Air-Fuel Mixture

Air-Fuel Mixture Adjustment

The pilot screw (2) is available to compensate for air-fuel mixture. For those who are mechanically proficient and have the necessary tools, adjustment procedures are given in the official Honda Shop Manual available from your Honda dealer. All others should have this carburetor modification performed by a Honda dealer.

Spark Plug

Spark Plug Recommendation

standard spark plug	DPR8EA-9 (NGK) or X24EPR-U9 (DENSO)
for cold climate (below 5°C, 41°F)	DPR7EA-9 (NGK) or X22EPR-U9 (DENSO)
for extended high speed riding	DPR9EA-9 (NGK) or X27EPR-U9 (DENSO)

Use only the recommended type of spark plug in the recommended heat range.

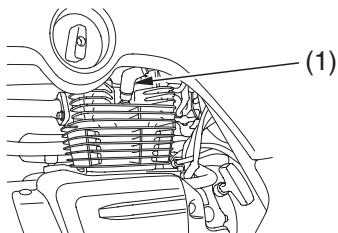
NOTICE

Using spark plugs with an improper heat range can cause engine damage.

Spark Plug Inspection & Replacement

Refer to *Safety Precautions* on page 83 .

1. Clean any dirt from around the spark plug base.
2. Disconnect the spark plug cap (1). Take care to avoid damaging the spark plug wire when disconnecting the cap.
3. Using a spark plug wrench provided in the tool kit, remove the spark plug.



(1) spark plug cap

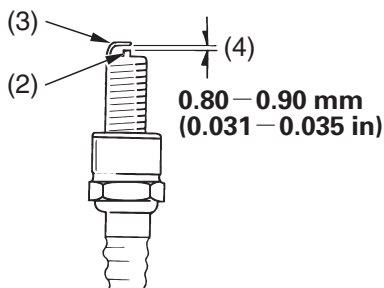
(cont'd)

Spark Plug

4. Inspect the electrodes and centre porcelain for deposits, corrosion, or carbon fouling. If the corrosion or deposits are heavy, replace the plug. Clean a carbon or wet-fouled plug with a plug cleaner, if available, or a wire brush. Inspect the spark plug electrodes for wear. The centre electrode (2) should have a flat tip and sharp edges, and the side electrode (3) should not be eroded. If the electrodes and insulator tip appear unusually fouled or burned, we suggest that you contact your Honda dealer.
5. Discard the spark plug if there is apparent wear or if the insulator is cracked or chipped.
6. Using a wire-type feeler gauge, check the spark plug gap (4). If adjustment is necessary, bend the side electrode carefully.

The gap should be:

0.80–0.90 mm (0.031–0.035 in)



- (2) centre electrode
- (3) side electrode
- (4) spark plug gap

Spark Plug

7. With the plug washer attached, thread the spark plug in by hand to prevent cross-threading.
8. Tighten the spark plug:
 - If the old plug is good:
 - 1/8 turn after it seats.
 - If installing a new plug, tighten it twice to prevent loosening:
 - a) First, tighten the plug:
 - NGK: 3/4 turn after it seats.
 - DENSO: 1/2 turn after it seats.
 - b) Then loosen the plug.
 - c) Next, tighten the plug again:
 - 1/8 turn after it seats.

NOTICE

An improperly tightened spark plug can damage the engine. If a plug is too loose, a piston may be damaged. If a plug is too tight, the threads may be damaged.

9. Connect the spark plug cap.

Valves

Valve Inspection

Refer to *Safety Precautions* on page 83 .

Valve clearance should be:

intake: 0.13 mm (0.005 in)

exhaust: 0.13 mm (0.005 in)

Excessive clearance will cause noise. Insufficient clearance will cause loss of power and possibly damage the valves.

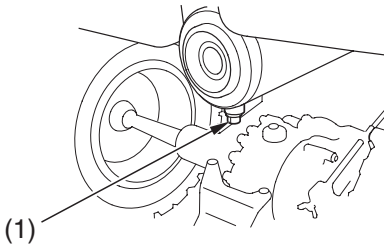
For those who are mechanically proficient and have the proper tools, instructions on adjusting valve clearances are given in the official Honda Shop Manual. Otherwise, the valves should be adjusted by your Honda dealer.

Spark Arrester

Refer to *Safety Precautions* on page 83 .

The exhaust system must be periodically purged of accumulated carbon.
To purge the system:

REAR



(1) bolt

1. Select a well-ventilated area free of combustible materials and make sure the exhaust pipe is cool.
2. Remove the bolt (1).
3. Start the engine and rev it up approximately twenty times while momentarily creating exhaust system back pressure by blocking the end of the muffler with a shop towel.
4. Stop the engine and allow the exhaust pipe to cool.
5. Reinstall the bolt securely.

Brakes

The hydraulic drum brakes (front) and single mechanical drum brake (rear) on your ATV dissipate heat generated by the friction of the brake shoes on the drums as the wheels are slowed.

As the front brake shoes wear, brake fluid level will drop. A leak in the system will also cause the level to drop.

Inspect the system before each ride to ensure there are no fluid leaks. Periodically inspect the brake fluid level and front and rear brake shoes for wear.

If the brake lever or brake pedal freeplay does not feel within the normal range while riding, check the brake shoes for wear (page 136). Worn shoes should be replaced. If the shoes are not worn beyond the recommended limit, there is probably air in the brake system. See your Honda dealer to have the air bled from the system.

Brake Fluid Recommendation

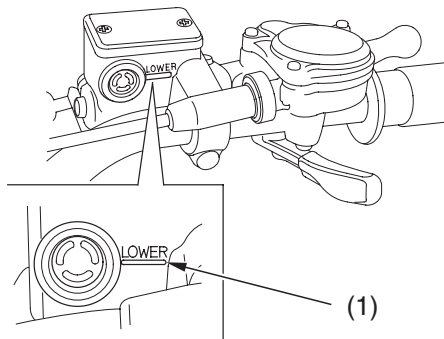
brake fluid	DOT 3 or DOT 4 Brake Fluid
-------------	----------------------------

The recommended brake fluid is DOT 3 or DOT 4 Brake Fluid, or any brake fluid of equal quality and performance. Use fresh brake fluid from a sealed container. Be sure to read the label before opening the sealed container. An opened container may be contaminated or may have absorbed moisture from the air.

Fluid Level Inspection

Refer to *Safety Precautions* on page 83 .

RIGHT HANDLEBAR



(1) LOWER level mark

If your inspection indicates a low fluid level, have your Honda dealer add the recommended fluid.

Do not add or replace brake fluid, except in an emergency. If you do add fluid, have your Honda dealer check the system as soon as possible.

NOTICE

Brake fluid can damage plastic and painted surfaces. Handle with care.

(cont'd)

Brakes

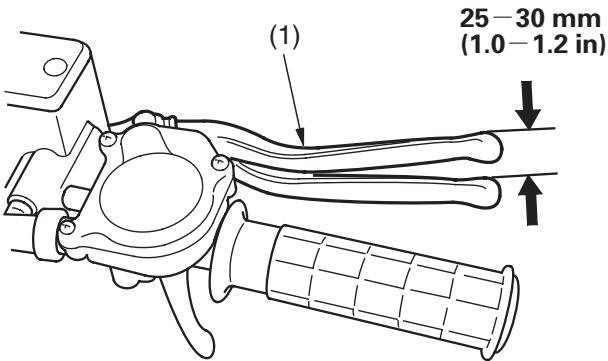
Wipe up spills immediately. Avoid brake fluid contact with skin or eyes. If it comes in contact with your eyes, wash them out with clean water and immediately call a doctor. If it comes in contact with your skin, wash with clean water and, if necessary, call a doctor.

Other Inspections

- Make sure there are no fluid leaks.
- Check for deterioration or cracks in the hoses and fittings. If the hoses are worn or cracked, have them replaced by your Honda dealer.

Front Brake Lever Freeplay & Shoe Lining Clearance

RIGHT HANDLEBAR



(1) front brake lever

1. Measure the distance the brake lever moves before the brakes start to take hold. Freeplay, measured at the tip of the front brake lever (1) should be:
25–30 mm (1.0–1.2 in)

(cont'd)

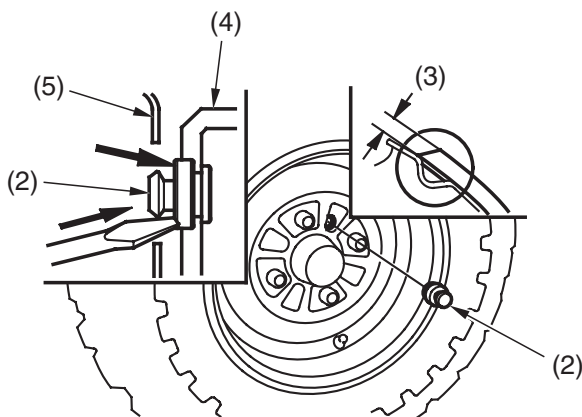
Brakes

2. Remove the inspection hole plug (2).
3. Measure the lining thickness (3) on both front wheels:
Standard: 4.0 mm (0.16 in)
Service Limit: 1.0 mm (0.04 in)

If either lining is worn beyond the limit, both brake shoes must be replaced by your Honda dealer.

4. If the brake lever freeplay and the brake shoe lining thickness are within the recommended limits, reinstall the inspection hole plugs, seating them into the inspection hole as shown.
5. If the brake lever freeplay is excessive but the linings are not worn beyond the service limit, adjust the brake lining clearance.

FRONT



(2) inspection hole plug
(3) lining thickness

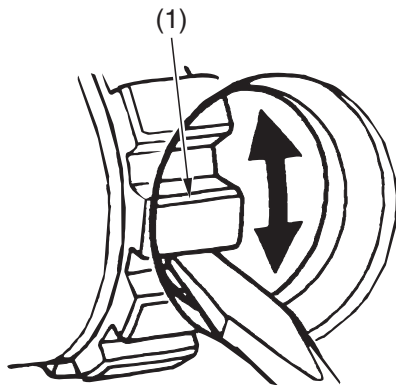
(4) front brake drum
(5) front wheel rim

Brakes

To adjust the brake lining clearance:

1. Squeeze the brake lever firmly two or three times, then release it.
2. Raise the front and rear wheels off the ground by placing a support block under the vehicle.
3. Beginning with either the left or right front wheel, remove the inspection hole plug and line up the hole with one of the brake adjusters.
4. Using a screwdriver, turn the brake shoe adjuster (1) until the front brake locks.

FRONT



(1) brake shoe adjuster

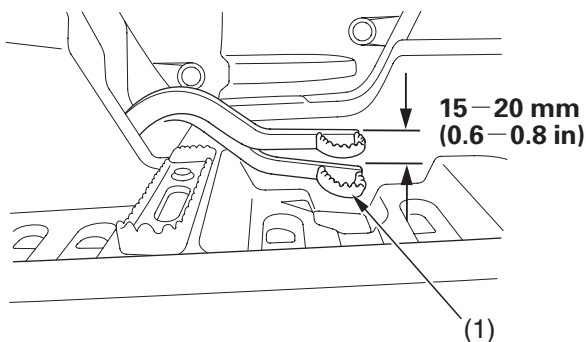
(cont'd)

Brakes

5. Back the adjuster off three clicks, then squeeze the brake lever several times. Spin the wheel manually to make sure the brake does not drag.
6. Line up the inspection hole with the second adjuster and repeat steps 3 through 5 .
7. Reinstall the inspection hole plug, seating it into the inspection hole as shown.
8. Follow steps 3 through 7 to adjust the other front brake.
9. Recheck the brake lever freeplay. If freeplay is still excessive after adjusting the brake lining clearance, there is probably air in the brake system and it must be bled out. See your Honda dealer for this service.

Rear Brake Pedal Freeplay

RIGHT SIDE



(1) rear brake pedal

Inspection

Measure the distance the rear brake pedal (1) moves before the brake starts to take hold. Freeplay, measurement at the tip of the end of the pedal, should be:

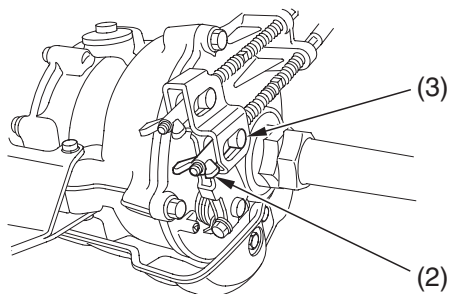
15–20 mm (0.6–0.8 in)

If necessary, adjust to the specified range.

Brakes

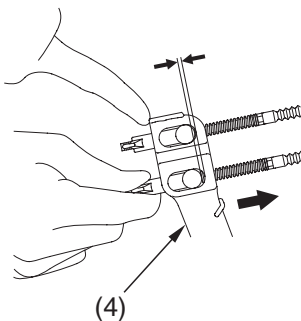
Adjustment

RIGHT REAR



- (2) brake pedal adjusting nut
- (3) brake arm pin

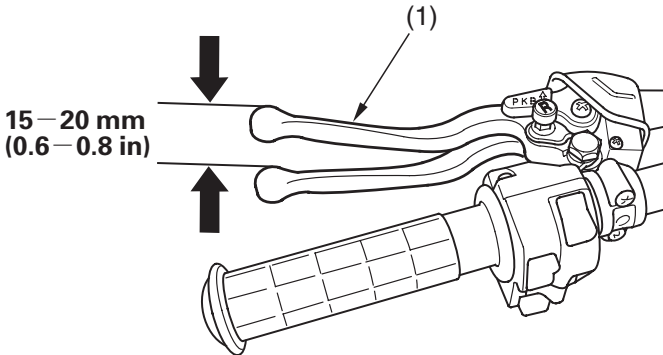
1. Turn the brake pedal adjusting nut (2), located on the brake operating rod at the rear of the frame. Make sure the cutout on the adjusting nut is properly seated on the brake arm pin (3).
2. Adjust the freeplay of the rear brake pedal. Push the brake arm (4) then check the clearance between the brake arm and the brake arm pin.



- (4) brake arm

Rear Brake Lever Freeplay

LEFT HANDLEBAR



(1) rear brake lever/parking brake lever

Inspection

Measure the distance the rear brake lever/parking brake lever (1) moves before the brake starts to take hold. Freeplay (measurement at the tip of the end of the brake lever) should be:

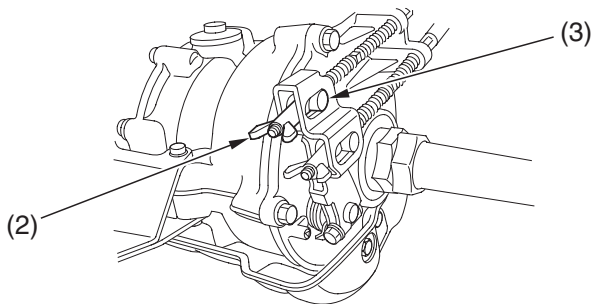
15-20 mm (0.6-0.8 in)

If necessary, adjust to the specified range.

Brakes

Adjustment

RIGHT REAR

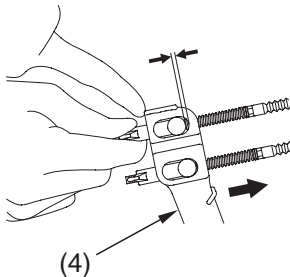


(2) brake lever adjusting nut

(3) brake arm pin

Adjust the freeplay of the rear brake lever/parking brake lever with the front wheels pointed straight ahead.

1. Turn the brake lever adjusting nut (2), located on the brake operating rod at the rear of the frame. Make sure the cutout on the adjusting nut is properly seated on the brake arm pin (3).
2. Adjust the freeplay of the rear brake lever/parking brake lever. Push the brake arm (4) then check the clearance between the brake arm and the brake arm pin.



(4) brake arm

Other Inspection

- Check that the brake lever and brake pedal assemblies are positioned properly and the securing bolts are tight.
- Make sure that the brake cables, brake arm, spring, parking, and fasteners are in good condition.

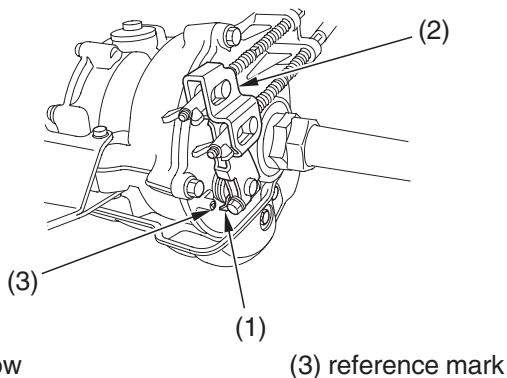
Brakes

Brake Shoe Wear

Refer to *Safety Precautions* on page 83 .

The rear brake is equipped with an external brake wear indicator that lets you check brake wear without disassembly. Application of the brake control causes the arrow on the brake arm to move toward a reference mark on the brake panel.

RIGHT REAR



(1) arrow

(2) brake arm

(3) reference mark

1. Apply the brake control and check the movement of the arrow (1) on the brake arm (2).
2. Replace the brake shoe if the arrow aligns with the reference mark (3) on the brake panel upon full application of the brake. If replacement is necessary, see your Honda dealer.

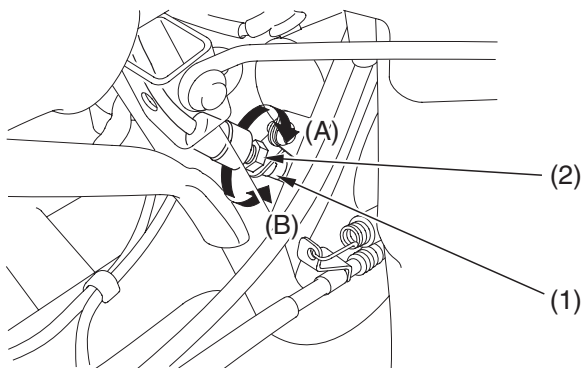
Brakelight Switch Adjustment

Refer to *Safety Precautions* on page 83.

Rear Brake Only:

Check the operation of the rear brakelight switch (1) at the right side behind the engine from time to time. The brakelight should turn on at 15 mm (0.6 in) of pedal stroke. See *Rear Brake Pedal Freeplay*, page 131. Adjustment is done by turning the adjusting nut (2). Turn the nut in direction (A) if the switch operates too late and in direction (B) if the switch operates too soon.

RIGHT SIDE



(1) brakelight switch

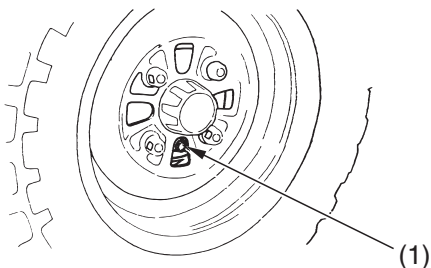
(2) adjusting nut

Brakes

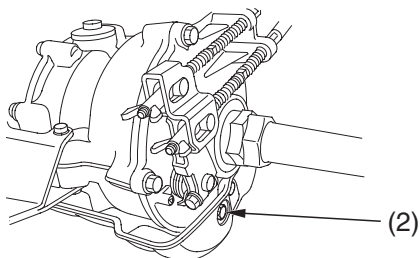
Draining Water from Brakes

Refer to *Safety Precautions* on page 83 .

FRONT



REAR



(1) front brake inspection hole plug

(2) rear brake drain bolt

1. Make sure the engine is OFF and the parking brake is set.
2. Remove the front brake inspection hole plug (1).
3. Remove the rear brake drain bolt (2) from the bottom of the rear brake cover.

If any water drains, the brake seals must be replaced by your Honda dealer as soon as possible.

To safely operate your ATV, your tyres must be the proper type and size, in good condition with adequate tread, and correctly inflated.

WARNING

Using tyres that are excessively worn or improperly inflated can cause a crash in which you can be seriously hurt or killed.

Follow all instructions in this owner's manual regarding tyre inflation and maintenance.

This ATV is equipped with low pressure tubeless tyres. Although the tyres are designed specifically for off-road use, they are not immune to punctures. Always select your riding area with care.

The following pages give detailed information on how and when to check your air pressure, how to inspect your tyres for wear and damage, and our recommendations for tyre repair and replacement.

Air Pressure

Refer to *Safety Precautions* on page 83 .

Properly inflated tyres provide the best combination of handling, tread life, and riding comfort. Generally, underinflated tyres wear unevenly, adversely affect handling, and are more likely to fail from being overheated. Overinflated tyres make your ATV ride harshly, are more prone to damage from surface hazards, and wear unevenly.

Make sure the valve stem caps are secure. If necessary, install new caps.

Tyres

Always check air pressure when your tyres are “cold.” If you check air pressure when your tyres are “warm” – even if your ATV has only been ridden for a few miles – the readings will be higher. If you let air out of warm tyres to match the recommended cold tyre pressures, the tyres will be underinflated. Be sure to check tyre pressure at the riding site, since changes in altitude can affect air pressure.

The recommended “cold” tyre pressures are:

		FRONT	REAR
NO CARGO	RECOMMENDED PRESSURE	20.0 kPa (2.9 psi)	20.0 kPa (2.9 psi)
WITH CARGO	RECOMMENDED PRESSURE	20.0 kPa (2.9 psi)	20.0 kPa (2.9 psi)

A manually operated tyre pump should be used rather than the high pressure system found in service stations. This will minimize the possibility of tyre damage from overinflation. If you use a high pressure system at a service station, add air in small amounts and check the pressure increase frequently to prevent possible tyre damage from overinflation.

WARNING

Operating this ATV with improper tyres, or with uneven tyre pressure may cause loss of control, and you could be seriously injured or killed.

- Always use the size and type tyres specified in this owner's manual for this vehicle.
- Always maintain proper tyre pressure as described in this owner's manual.

Inspection

Refer to *Safety Precautions* on page 83.

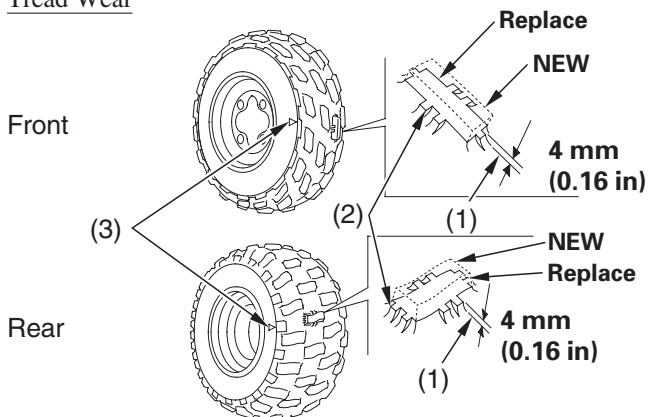
Whenever you check the tyre pressures, you should also look for:

- Bumps or bulges in the side of the tyre or the tread. Replace any tyre that has a bump or bulge.
- Cuts, slits, or cracks in the tyres. Replace the tyre if you can see fabric or cord.
- Nails or other foreign objects embedded in the side of the tyre or tread.
- Excessive tread wear.

Tyres

Also, if you hit a pothole or other hard object while riding, stop as soon as you safely can and carefully inspect the tyres for damage.

Tread Wear



(1) groove depth
(2) wear indicator

(3) wear indicator location mark

To check the condition of a tyre tread, measure the groove depth (1) in the centre of the tyre, or check the wear indicator (2).

For best performance, you should replace a tyre before the tread depth at the centre reaches the following limits:

front	4 mm (0.16 in)
rear	4 mm (0.16 in)

Tyre Repair

Refer to *Safety Precautions* on page 83 .

A tyre that is repaired, either temporarily or permanently, will have lower speed and performance limits than a new or undamaged tyre.

A temporary repair can sometimes be made in an emergency situation. However, since a temporary repair may not hold, you must ride very slowly, preferably without any cargo, and have the tyre replaced or permanently repaired as soon as possible. (For more information on temporary repairs, see *If You Have a Flat Tyre*, page 171 .)

A permanent repair, such as an internal plug patch, can be made if a tyre has only a small puncture in the tread area. However you may not be able to safely carry as much weight. If you choose to have a tyre repaired, be sure the repair work is performed by a professional.

If you have a tyre professionally repaired at a non-Honda facility, we recommend that you have the work checked by your Honda dealer.

Tyres

Tyre Replacement

Refer to *Safety Precautions* on page 83.

The tyres that came on your ATV were designed to match the performance capabilities of your ATV and provide the best combination of handling, braking, and comfort.

It is best to replace all four tyres, however if that is not possible, you must replace the tyres in pairs (front or rear) with tyres of the same size and type as the originals. Never replace just one tyre.

WARNING

Installing improper tyres on your ATV can affect handling and stability. This can cause a crash in which you can be seriously hurt or killed.

Always use the size and type of tyres recommended in this owner's manual.

The recommended tyres for your ATV are:

front	AT22 × 7-11 ★ MAXXIS M9803
rear	AT22 × 10-9 ★ MAXXIS M9804

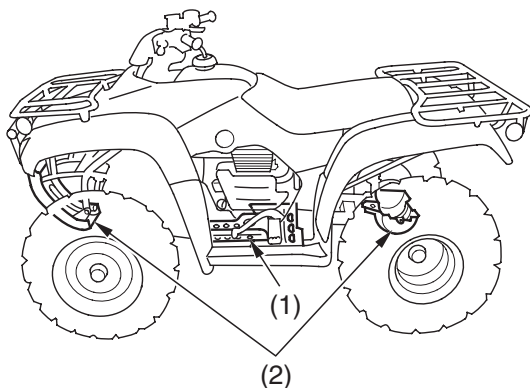
When you replace a tyre, remember:

Have the tyre replaced by your Honda dealer if possible.

If you have a tyre professionally replaced at a non-Honda facility, we recommended that you have the work checked by your Honda dealer.

Engine Guard & Skid Plates

Refer to *Safety Precautions* on page 83.



(1) engine guard

(2) skid plates

The engine guard (1) protects the engine crankcase.

The skid plates (2) protect the frame and rear final gear case. Check the guard and plates for cracks, damage or looseness at intervals shown in the Maintenance Schedule.

Have the skid plates replaced if they are cracked or damaged. If the plate bolts are loose, tighten them securely.

Battery

Your ATV has a maintenance-free type battery. You do not have to check the battery electrolyte level or add distilled water as you would with a conventional-type battery.

NOTICE

Your battery is a maintenance-free type and can be permanently damaged if the cap strip is removed.

Electrical accessories use current from the battery, even when the ignition is OFF. Limited operation also allows the battery to discharge. If you have electrical accessories on your ATV or do not ride frequently, we recommend that you charge the battery frequently (see *Battery Charging*, page 150).

If you do not expect to ride your ATV for at least two weeks, we recommend you remove the battery, or at least disconnect the battery cables (negative cable first).

If you plan to store your ATV, see *Battery Storage*, page 147.

If your battery seems weak and/or is leaking electrolyte (causing slow starting or other electrical problems), see your Honda dealer.



This symbol on the battery means that this product must not be treated as household waste.

NOTICE

An improperly disposed of battery can be harmful to the environment and human health.

Always confirm local regulations for battery disposal.

Battery Storage

Refer to *Safety Precautions* on page 83.

If you plan to store your ATV, we recommend you remove the battery and store it where it can be charged at least every 30 days to maintain its service life.

If you do not remove the battery, we recommend disconnecting the battery cables (negative cable first).

You will get the best storage results from removing the battery and slow (trickle) charging it every 30 days (see *Battery Charging*, page 150).

Before you remove the battery, be sure to read all the information that follows, as well as the information on the battery label.

WARNING

The battery gives off explosive hydrogen gas during normal operation.

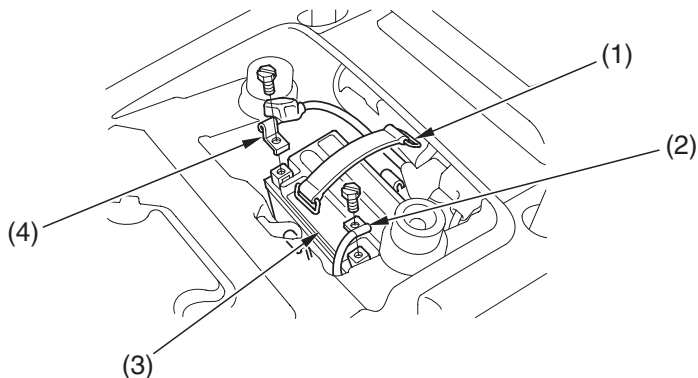
A spark or flame can cause the battery to explode with enough force to kill or seriously hurt you.

Wear protective clothing and a face shield, or have a skilled mechanic do the battery maintenance.

Battery

The battery is located in a compartment under the seat.

UNDER SEAT



(1) rubber band

(2) negative (-) terminal lead

(3) battery

(4) positive (+) terminal lead

Removal

1. Make sure the ignition switch is OFF (O).
2. Remove the seat (page 94).
3. Release the rings and remove the rubber band (1).
4. Disconnect the negative (-) terminal lead (2) from the battery (3) first, then disconnect the positive (+) terminal lead (4).
5. Remove the battery.

Battery

6. Charge the battery (see following section), unless you have been riding regularly.
7. Store your battery in an easy-to-reach location off the floor, in an area protected from freezing temperature and direct sunlight.
8. Clean the battery box after removing the battery for storage. Dry the battery box and, if paint is missing, re-paint the area.
9. Slow charge the battery (see following section) once every 30 days.

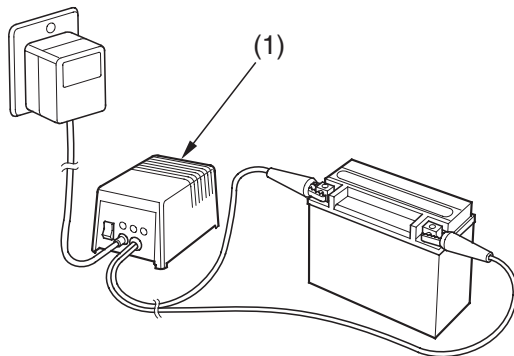
Installation

1. Reinstall in the reverse order of removal.
Be sure to connect the positive (+) terminal first, then the negative (−) terminal.
2. Make sure all bolts and other fasteners are secure.
3. After installing the battery, check to see if the battery cables are routed correctly.

Battery

Battery Charging

Refer to *Safety Precautions* on page 83 .



(1) “trickle” charger

Be sure to read the information that came with your battery charger and follow the instructions on the battery. Improper charging may damage the battery.

We recommend using a “trickle” charger (1) for home charging. These units can be left connected for long periods without risking damage to the battery. However, do not intentionally leave the charger connected longer than the time period recommended in the charger’s instructions.

Avoid using an automotive-type battery charger. An automotive charger can overheat an ATV battery and cause premature damage.

Appearance Care

Frequent cleaning and polishing will keep your Honda looking newer longer.

Frequent cleaning also identifies you as an owner who values his ATV. A clean ATV is also easier to inspect and service.

General Recommendations

Refer to *Safety Precautions* on page 83 .

- To clean your ATV, you may use:
 - water
 - a mild, neutral detergent and water
 - a mild spray and wipe cleaner/polisher
 - a mild spray and rinse cleaner/degreaser and water
- Avoid products that contain harsh detergents or chemical solvents that could damage the metal, paint, and plastic on your ATV.
- If your ATV is still warm from recent operation, give the engine and exhaust system time to cool off.
- Park in a shady area. Washing your ATV in bright sunlight may cause the finish to fade because water droplets intensify the sun's brightness.
- Spotting is also more likely because surface water can dry before you have time to wipe it off.
- Clean your ATV regularly to protect surface finishes.
- We recommend the use of a garden hose to wash your ATV. High pressure washers (like those at coin-operated car washers) can damage certain parts of your ATV.

NOTICE

High pressure water (or air) can damage certain parts of your ATV.

- After cleaning, inspect for damage, wear, and leaks (fuel, oil and brake fluid).

Appearance Care

Washing Your ATV with a Mild Detergent

Refer to *Safety Precautions* on page 83.

1. Rinse your ATV thoroughly with cool water to remove loose dirt.
 2. Fill a bucket with cool water. Mix in a mild, neutral detergent, such as dish washing liquid or a product made especially for washing motorcycles or automobiles.
 3. Wash your ATV with a sponge or soft towel. As you wash, check for heavy grime. If necessary, use a mild cleaner/degreaser to remove the grime.
 4. After washing, rinse your ATV thoroughly with plenty of clean water to remove any residue. Detergent residue can corrode alloy parts.
 5. Dry your ATV with a chamois or a soft towel. Leaving water on the surface to air dry can cause dulling and water spots. As you dry, inspect for chips and scratches.
 6. Start the engine and let it idle for several minutes. The engine heat will help dry moist areas.
 7. As a precaution, ride your ATV at a slow speed and apply the brakes several times. This will help dry the brakes and restore normal braking performance.
- If the inside of the headlight lens appears clouded immediately after washing, it should clear after a few minutes of riding.

Appearance Care

Spray Cleaning Your ATV

Refer to *Safety Precautions* on page 83.

Avoid using spray cleaner products on the tyres or suspension components.

Suggestions for using spray cleaner(s) follow:

ATV condition	Recommended Cleaning
Dust and fingerprint smudges.	Apply a spray cleaner/polish and wipe paint, chrome, glass, and clear plastic.
Light road grimes.	Spray any difficult-to-reach or very dirty areas with a spray cleaner/degreaser. Rinse and dry. Apply a spray cleaner/polish and wipe with a non-abrasive cloth.
Heavy grime. Oil leaks. Brake dust.	Use a spray cleaner/degreaser. If necessary, rub with a sponge. Rinse and dry. Apply a spray cleaner/polish and wipe with a non-abrasive cloth.
Dull, corroded chrome or aluminum.	Apply a high quality chrome/aluminum polish and wipe with a non-abrasive cloth.

Appearance Care

Finishing Touches

Refer to *Safety Precautions* on page 83.

After washing your ATV, consider using a commercially available spray cleaner/polish or quality liquid or paste wax to finish the job. Use only a non-abrasive polish or wax made specifically for motorcycles or automobiles. Apply the polish or wax according to the instructions on the container.

Here's helpful advice on how to prepare for an off-road adventure, how to transport and store your Honda, and how to be an environmentally responsible ATV owner.

Preparing for a Ride	156
What to Take to the Riding Area	156
What to Take on the Trail	157
Transporting Your Honda	158
Storing Your Honda	160
Preparation for Storage	161
Removal from Storage	163
You & the Environment	164

Preparing for a Ride

A safe and enjoyable ride begins with good planning and preparation. Always ride with at least one other person in case you have trouble, and let someone know where you're going and when you expect to return.

Before riding in an unfamiliar area, find out in advance if you need special permits, get maps so you can study the terrain, and talk to other riders who know the area.

What to Take to the Riding Area

Along with your ATV and riding gear, you should take along some tools and supplies in case you have a problem. For some of the difficulties you might encounter, see *Taking Care of the Unexpected*, which begins on page 165.

We recommend that you always take water, food, a first aid kit, and your owner's manual. Other items you should consider loading on your truck or trailer include:

- a tool kit
- tyre repair supplies and tools, and tyres
- extra parts, control levers, cables, and spark plugs
- wire, duct tape, and rope
- extra petrol

For safety, all refueling should be done at a gas station on the way to the riding area or at your base camp.

Preparing for a Ride

What to Take on the Trail

What you take with you during a ride depends on the kind of terrain, how long you expect to ride, how far you might go from your base camp or help, and how experienced you or your companions are in making repairs.

If you decide to take some tools, spare parts, or other supplies on the trail, be sure you can carry them safely and know how to use them. Also, be sure to follow the loading guidelines and weight limit (page 43).

Transporting Your Honda

Do not tow your ATV behind a car or other vehicle.

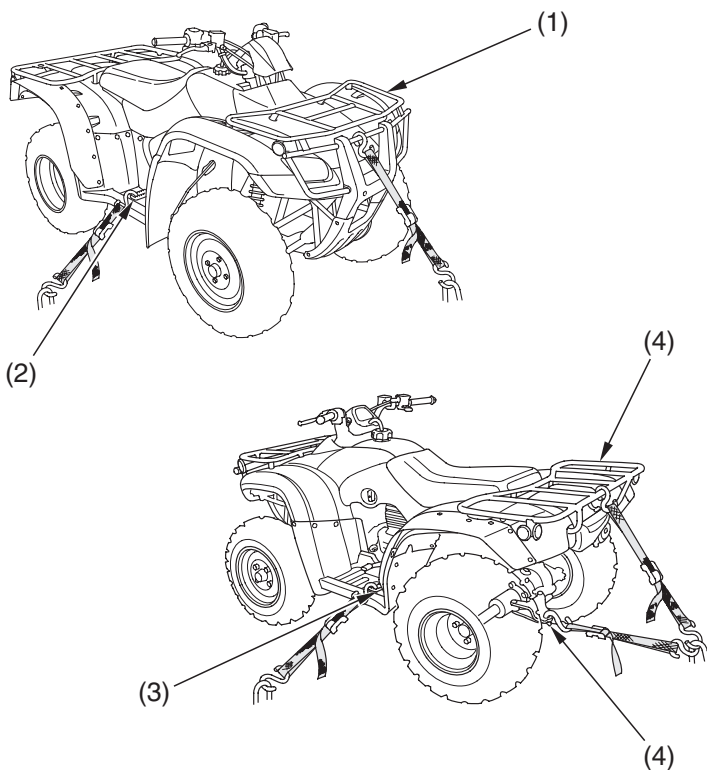
When you transport your ATV, we recommend that you carry the vehicle in its normal operating position (on all four wheels). Do not incline the vehicle upright on its rear end. This can damage the vehicle, and leaking petrol could be a hazard.

Follow these procedures:

1. Set the parking brake and place the transmission in gear.
2. Turn the fuel valve OFF.

Transporting Your Honda

- Secure the vehicle with tie-down straps in the areas shown.
 - Suitable tie-down straps are available from your Honda dealer.
 - Ordinary rope is not recommended because it can stretch under load.
 - Using tie-down straps in any other areas can damage your ATV.
- Rock the vehicle back and forth to make sure the tie-down straps are tight and the vehicle is secure.



(1) front cargo rack
(2) right footpeg

(3) left footpeg
(4) rear cargo rack or trailer hitch

Storing Your Honda

If you won't be riding for an extended period, such as during the winter, thoroughly inspect your ATV and correct any problem before storing it. That way, needed repairs won't be forgotten and it will be easier to get your ATV running again.

We suggest you perform the following procedures to keep your ATV in top condition. These storage procedures will reduce the deterioration that can occur during storage.

Storing Your Honda

Preparation for Storage

Refer to *Safety Precautions* on page 83.

This procedure requires a means for draining and disposing of drained fuel (page 164).

1. Change the engine oil (page 103).
2. Fill the fuel tank. Make sure the fuel fill cap is properly installed.
3. Check that the fuel valve is OFF.
4. Drain the carburetor into an approved petrol container and dispose of it in an approved manner (page 164).

If storage will last longer than one month, carburetor draining is important to assure proper performance after storage.

WARNING

Petrol is highly flammable and explosive. You can be burned or seriously injured when handling fuel.

- Stop the engine and keep heat, sparks and flame away.
- Handle fuel only outdoors.
- Wipe up spills immediately.

(cont'd)

Storing Your Honda

- To prevent rusting in the cylinders, perform the following:
 - Remove the spark plug cap from the spark plug.
 - Remove the spark plug.
Do not connect the spark plug to the spark plug cap.
 - Pour a tablespoon (15 – 20 cm³) of clean engine oil into the cylinder and cover the spark plug hole with a piece of cloth.
 - With the engine stop switch in the OFF (⌘) position, press the start button several times to crank the engine and distribute the oil.
 - Reinstall the spark plug and spark plug cap.
- Remove the battery and charge it fully. Store it in an area protected from freezing temperatures and direct sunlight. Slow charge the battery (page 150) once a month.

WARNING

The battery gives off explosive hydrogen gas during normal operation.

A spark or flame can cause the battery to explode with enough force to kill or seriously hurt you.

Wear protective clothing and a face shield, or have a skilled mechanic do the battery maintenance.

- Wash and dry your ATV. Wax all painted surfaces.
- Inflate the tyres to their recommended pressures (page 140).
- Store your ATV in an unheated area, free of dampness, away from sunlight, with a minimum of daily temperature variation.
- Place your ATV on blocks to lift all tyres off the floor.
- Cover your ATV with a porous material. Avoid using plastic or similar non-breathing, coated materials that restrict air flow and allow heat and moisture to accumulate.

Storing Your Honda

Removal from Storage

Refer to *Safety Precautions* on page 83 .

1. Uncover and clean your ATV.
2. If your ATV has been stored for more than four months — change the engine oil (page 103).
3. If your ATV has been stored for more than two months — ask your Honda dealer to drain and replace the fuel.
4. Charge the battery (page 150) as required. Install the battery.
5. Perform a pre-ride inspection (page 39), then test-ride your ATV at low speeds.

You & the Environment

Owning and riding an ATV can be enjoyable, but you must do your part to protect nature. When you show respect for the land, wildlife, and other people, you also help preserve the sport of off-road riding.

Following are tips on how you can be an environmentally responsible ATV owner.

- **Tread Lightly.** Stay on existing roads and trails, avoid surfaces that are easily damaged, and ride only in areas approved for off-road vehicles.
- **Keep the Noise Down.** Loud vehicles can be offensive. Ride as quietly as possible, don't remove your spark arrester, and don't modify the muffler or any other part of your air intake and exhaust systems. Such modifications not only increase noise, they also reduce engine performance and may be illegal.
- **Choose Sensible Cleaners.** Use a biodegradable detergent when you wash your ATV. Avoid aerosol spray cleaners that contain chlorofluorocarbons (CFCs) which damage the atmosphere's protective ozone layer. Don't throw cleaning solvents away; see the following guidelines for proper disposal.
- **Recycle Wastes.** It's illegal and thoughtless to put used engine oil in the trash, down a drain, or on the ground. Used oil, petrol, and cleaning solvents contain poisons that can hurt refuse workers and contaminate our drinking water, lakes, rivers, and oceans. Before changing your oil, make sure you have the proper containers. Put oil and other toxic wastes in separate sealed containers and take them to a recycling centre. Call your local office of public works or environmental services to find a recycling centre in your area, and to get instructions on how to dispose of non-recyclable wastes.

Taking Care of the Unexpected

With all the challenges you can encounter off-road, there's a chance that sometime something may go wrong. This section gives practical advice to help you deal with a wide range of problems. Take time to read this section before you ride. Also review the tips in *Preparing for a Ride* (page 156).

General Guidelines.....	166
If Your Engine Quits or Won't Start.....	168
If You Have a Flat Tyre.....	171
If the High Oil Temperature Indicator Lights.....	174
If a Fuse Blows.....	175
If You Crash.....	177
If You Lose Your Key.....	178
If the Battery Is Low (or Dead).....	179
If a Component Fails.....	180

Taking Care of the Unexpected

General Guidelines

Keeping your ATV well-maintained is the best way to reduce the possibility of having a problem while riding. However, problems can arise even with well-maintained machines.

Remember to take along your owner's manual, the tool kit that came with your ATV, and any other items (such as tyre repair supplies and additional tools) that might help you solve a problem on your own.

If something goes wrong during a ride, the first thing to do is stop as soon as you safely can. Do not continue riding if you have a flat tyre, or you hear an unusual noise, or your ATV just doesn't feel right. If you continue riding, you could cause more damage and endanger your own safety.

After stopping, take time to assess the situation. Carefully inspect your ATV to identify the problem, then consider your options before you decide what to do.

If a problem is relatively minor and you have the tools, supplies, and skills to make a permanent repair, you may be able to fix it on the trail and continue riding. Or, you may be able to make a temporary repair that allows you to slowly ride back to your base where you can make a permanent repair or get help.

When a problem is more serious—or you don't have the tools, supplies, experience, or time to deal with it—you need to choose the safest way to get yourself and your ATV back to base. For example, if you are close enough, you (or you and another person) might be able to push it back.

Taking Care of the Unexpected

Should you ever have a problem while riding, please follow these guidelines:

- Always put personal safety first.
- Take time to assess the situation and your options before deciding what to do.
- If the problem is relatively minor and you have the tools, supplies, and skills to make a temporary repair, be sure to have permanent repairs made as soon as possible.
- Do not continue riding if you are hurt or your ATV is not in safe riding condition.

Additional recommendations for specific problems follow.

If Your Engine Quits or Won't Start

Proper operation and maintenance can prevent starting and engine performance problems. In many cases, the cause of the problem may be a simple operational oversight.

If you have a problem starting the engine — or experience poor engine performance — the following information may help you. If you can't correct the problem, see your Honda dealer.

If your ATV won't start, listen as you press the start button. If you don't hear the starter motor turning, refer to the *Starter motor doesn't operate* symptom. If you can hear the starter motor working normally, refer to the *Starter motor works, but the engine won't start* symptom.

If Your Engine Quits or Won't Start

SYMPTOM: Starter motor doesn't operate.	
POSSIBLE CAUSE	WHAT TO DO
ignition switch OFF	Turn the ignition switch ON.
transmission not in neutral	Shift into neutral.
blown fuse	Replace with a new fuse of the same rating (page 175).
battery lead loose	Tighten the battery lead.
low (or dead) battery	Charge the battery (page 150). If charging doesn't help, see your Honda dealer.
faulty starter motor	If all possible causes are negative, the starter motor may be faulty. See your Honda dealer.

SYMPTOM: Starter motor works, but the engine won't start.	
POSSIBLE CAUSE	WHAT TO DO
engine stop switch OFF	Turn the engine stop switch to RUN.
out of fuel	Fill the fuel tank.
flooded engine	See <i>Flooded Engine</i> (page 58).
loose or unconnected spark plug cap	Install the spark plug cap securely. If the engine still won't start, see your Honda dealer.
loose battery cables	Tighten the battery terminal bolts.
weak battery	Charge the battery (page 150). If charging doesn't help, see your Honda dealer.

If Your Engine Quits or Won't Start

SYMPTOM: Engine starts, but runs poorly.	
POSSIBLE CAUSE	WHAT TO DO
idles roughly, too fast, stalls	Check engine idle adjustment (page 117). If the problem persists, see your Honda dealer.
poor engine performance at altitudes above 1,000 m.	Ask your Honda dealer to modify the carburetion with a high altitude jet. Refer to <i>High Altitude Carburetor Adjustment</i> , page 189.
high oil temperature	Check the high oil temperature indicator. Refer to <i>If the High Oil Temperature Indicator Lights</i> , page 174.
runs erratically, misfires	See your Honda dealer.
blubbers (rich fuel mixture)	See your Honda dealer.
sooty exhaust (rich fuel mixture)	See your Honda dealer.
detonates or pings under load	If applicable, switch to the recommended octane petrol (page 95) or change your brand of petrol. If the problem persists, see your Honda dealer.
afterfires (backfires)	See your Honda dealer.
pre-ignition (runs on after ignition switched OFF)	See your Honda dealer.

If You Have a Flat Tyre

How you handle a flat tyre on the trail depends on how serious the tyre damage is, and what tools and supplies you have with you.

If you have a slow leak or a minor puncture, use the plug method to make a temporary repair. (The plug method is applied from the outside of the tyre and is the same as that for conventional tubeless tyres.)

A plug-type repair kit, available at most auto parts stores or service stations, provides a plug, an installation tool, tyre cement, and an instruction sheet. Follow the instructions provided with the repair kit to make a temporary repair.

As soon as possible, have the tyre permanently repaired by your Honda dealer. Any tyre that cannot be repaired should be replaced.

Whenever the ATV is to be operated far from service facilities or available transportation, we recommend that you carry a tyre pump and a repair kit with the vehicle.

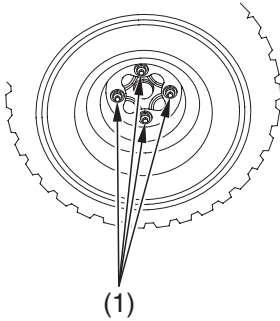
If the leak is more serious, or a temporary repair doesn't hold, the tyre must be replaced. The tyre will also need to be replaced if it is damaged (page 144). Replacing a tyre involves removing and re-installing the wheel (page 172).

If you are unable to repair a flat tyre on the trail, you will need to send for help. We strongly recommend that you do not try to ride with a flat tyre. The ATV will be hard to handle, and if the tyre comes off the rim, it may lock up the wheel and cause you to crash.

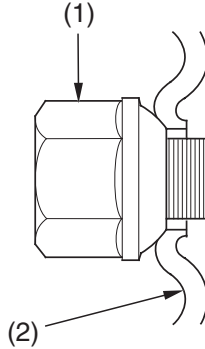
If You Have a Flat Tyre

Emergency Wheel Removal/Installation

Refer to *Safety Precautions* on page 83 .



(1) wheel nuts



(2) wheel rim

Removal

1. Park your ATV on a firm, level surface.
2. Loosen — but do not remove — the wheel nuts (1).
3. Raise the front (or rear) wheels off the ground and place a support block under the vehicle.
4. Remove the wheel nuts.
5. Remove the wheel.

If You Have a Flat Tyre

Installation

1. Position the wheel.
2. Position the wheel nuts so that the tapered sides face the wheel rim (2).
3. Hand-tighten the wheel nuts on the wheel, then lower the ATV to the ground before tightening the nuts in a crisscross (rather than circular) pattern to the specified torque:
64 N·m (6.5 kgf·m , 47 lbf·ft)

If a torque wrench was not used for installation, see your Honda dealer as soon as possible to verify proper assembly. Improper assembly may lead to loss of braking capability.

If the High Oil Temperature Indicator Lights

Normally, the high oil temperature indicator will only light momentarily when you turn the ignition ON (I). Occasionally, it may flicker at or near idling speed.

High oil temperature may be caused by restriction of air flow over the engine (such as mud caked on the cooling fin), extended idling, an oil leak, a low oil level, or extended operation under adverse conditions. If the indicator comes on while you're riding, don't ignore it. Pull safely to a stop. Stop the engine as soon as it's safe to do so, and let it cool.

NOTICE

Continuing to ride with high oil temperature can adversely affect the service life of the engine.

- Check for any restriction of air flow over the engine.
- Check for an oil leak.
- Check the oil level. If necessary, add the recommended oil (page 99) to the upper level mark. If you must leave your ATV to get oil, secure it as much as possible.
- Start the engine, and check that the high oil temperature indicator goes off.

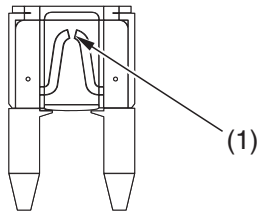
If the indicator goes off — resume riding. If there is a leak — do not ride the ATV until the leak is repaired by Honda dealer.

If a Fuse Blows

All of the electrical circuits on your ATV have fuses to protect them from damage caused by excess current flow (short circuit or overload).

If something electrical on your ATV stops working, the first thing you should check for is a blown fuse (1).

Check the fuse before looking elsewhere for another possible cause of the problem. Replace a blown fuse and check component operation.



(1) blown fuse

The fuse is located in the battery compartment.

A spare fuse is located in the owner's manual storage area under the seat (page 93).

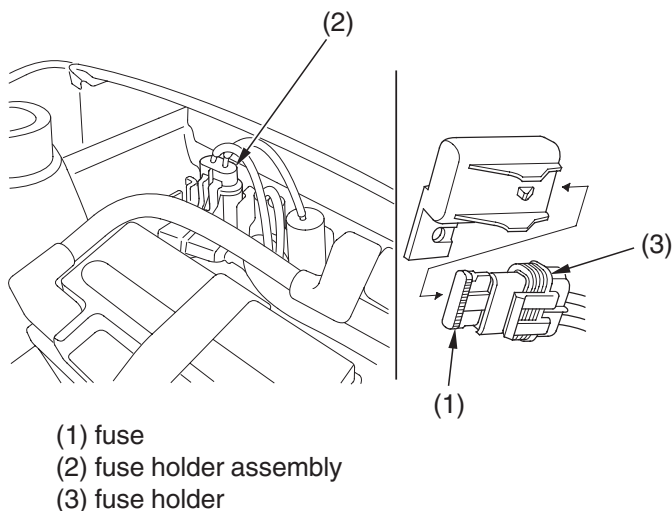
Recommended Fuse

main fuse	15 A
-----------	------

If a Fuse Blows

Main Fuse Access

UNDER SEAT



1. To prevent an accidental short circuit, turn the ignition switch OFF (O) before checking or replacing the fuses.
 2. To access the fuse (1), remove the seat (page 94).
 3. Remove the fuse holder assembly (2).
 4. Pull the old fuse out of the fuse holder (3).
 5. Push the new fuse into the fuse holder.
- If you do not have a replacement fuse with the proper rating for the circuit, install one with a lower rating.

NOTICE

Replacing a fuse with one that has a higher rating greatly increases the chance of damage to the electrical system.

6. Install the fuse holder assembly and seat.

If You Crash

Personal safety is your first priority after a crash. If you or anyone else has been injured, take time to assess the severity of the injuries and whether it is safe to continue riding. If you cannot ride safely, send someone for help. Do not ride if you will risk further injury.

If you decide you are capable of riding safely, carefully inspect your ATV for damage and determine if it is safe to ride. Check the tightness of critical nuts and bolts securing such parts as the handlebar, control levers, brakes, and wheels.

If there is minor damage, or you are unsure about possible damage but decide to try riding the ATV back to your base, ride slowly and cautiously.

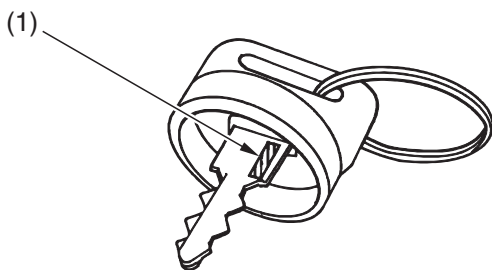
Sometimes, crash damage is hidden or not immediately apparent. When you get home, thoroughly check your ATV and correct any problems you find. Also, be sure to have your Honda dealer check the frame and suspension after any serious crash.

If You Lose Your Key

Be sure to record your key number (1) at following space. You'll need this number to have a duplicate key made.

If you lose your key and aren't carrying a duplicate, either get your spare or have one made. If you don't know your key number, call the dealer where you purchased your Honda ATV. They may have it listed in their records. If they don't, transport your ATV to them or the nearest Honda dealer. The dealer will probably have to remove the ignition switch assembly to find the key number so they can make a key for you.

KEY NO. _____



(1) key number

If the Battery Is Low (or Dead)

Your ATV will operate even if the battery is low (or dead), as long as the engine is running. If the engine is not running, it may be started using the recoil starter.

1. Shift the shift lever in neutral position.
2. Apply the parking brake.
3. Turn the ignition switch to the “ON” (I) position.
4. Use the recoil starter (page 59) to start the engine.

Jump starting is not recommended, especially if you use an automobile battery. The greater amperage of an automobile battery when the car engine is running can damage your ATV’s electrical system.

Bump starting is also not recommended.

If you can’t charge the battery or it appears unable to hold a charge, contact your Honda dealer.

If a Component Fails

The brake levers or pedal, control cables, and other components can be damaged as you ride in dense brush or over rocky terrain. Making a trailside repair depends on how serious the damage is and what tools and supplies you have with you.

- If any component of the brake system is damaged, you may be able to ride carefully back to your base using the other brake components for slowing or stopping.
- If you damage a throttle cable or other critical component, your ATV may be unsafe to ride. Carefully assess the damage and make any repairs that you can. But if there is any doubt, it's best to be conservative and safe.

Technical Information

This section contains dimensions, capacities, and other technical data, plus information on government requirements and how to break-in your ATV.

Vehicle Identification.....	182
Specifications.....	184
Break-in Guidelines	188
High Altitude Carburetor Adjustment.....	189
Petrol Containing Alcohol.....	190

Vehicle Identification

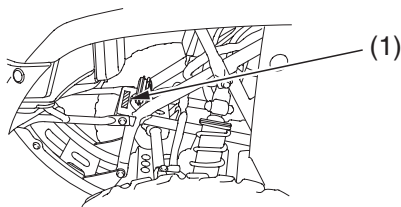
Serial Numbers

The VIN, engine serial number, and key number may be required when ordering replacement parts. Record the numbers here for your reference.

The VIN (1) is stamped on the front of the frame.

VIN _____

FRONT

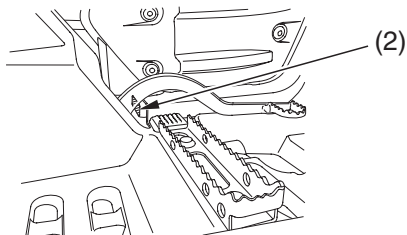


(1) VIN

The engine number (2) is stamped on the right crankcase.

ENGINE NO. _____

RIGHT SIDE



(2) engine number

Vehicle Identification

Colour Label & Code

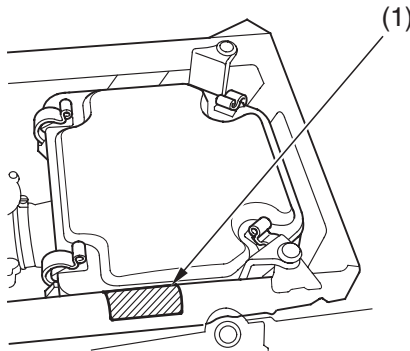
The colour label (1) is attached to the frame under the seat. Remove the seat (page 94) to check the label.

The colour code is helpful when ordering replacement parts. Record the colour and code here for your reference.

COLOUR _____

CODE _____

UNDER SEAT



(1) colour label

Specifications

Dimensions	
overall length	1,905 mm (75.0 in)
overall width	1,035 mm (40.7 in)
overall height	1,070 mm (42.1 in)
wheelbase	1,131 mm (44.5 in)
ground clearance	152 mm (6.0 in)

Fuel & Lubricants	
fuel recommendation	unleaded petrol, research octane number of 91 or higher
fuel tank capacity	9.1 ℓ (2.40 US gal , 2.00 Imp gal) including reserve
fuel tank reserve	2.4 ℓ (0.63 US gal , 0.53 Imp gal)
engine oil capacity	after disassembly: 1.9 ℓ (2.0 US qt , 1.7 Imp qt) after draining: 1.5 ℓ (1.6 US qt , 1.3 Imp qt)
engine oil recommendation	API Service Classification SE, SF or SG Honda 4-stroke oil or an equivalent

Capacities	
passenger capacity	operator only
maximum weight capacity	175 kg (386 lbs) rider, all cargo and accessories

Specifications

Engine Specifications	
displacement	229 cm ³ (14.0 cu-in)
bore & stroke	68.5 × 62.2 mm (2.70 × 2.45 in)
compression ratio	9.2 : 1
spark plug (standard)	DPR8EA-9 (NGK) or X24EPR-U9 (DENSO)
spark plug (cold climate)	DPR7EA-9 (NGK) or X22EPR-U9 (DENSO)
spark plug (high speed riding)	DPR9EA-9 (NGK) or X27EPR-U9 (DENSO)
spark plug gap	0.80 – 0.90 mm (0.031 – 0.035 in)
valve clearance (cold)	intake: 0.13 mm (0.005 in) exhaust: 0.13 mm (0.005 in)
idle speed	1,400 ± 100 min ⁻¹ (rpm)

Power Transmission		
primary reduction	3.087	
final reduction	3.692	
gear ratio	1st	3.231
	2nd	2.167
	3rd	1.667
	4th	1.280
	5th	1.042
	reverse	5.550
final drive	shaft	
Noise level (ISO 5131)	75.4 dB (A)	
Vibration on seat (EN 1032, ISO 5008)	Not exceed 0.5 m/s ²	
Vibration on handlegrip (ISO 5349: 2001, EN 709)	7.7 m/s ²	

Specifications

Chassis & Suspension	
caster	8°
trail	42 mm (1.7 in)
tyre size, front	AT22 × 7-11 ★ MAXXIS M9803
tyre size, rear	AT22 × 10-9 ★ MAXXIS M9804
tyre pressure, front & rear (cold)	20.0 kPa (2.9 psi)

Electrical	
battery	12 V – 10 Ah
generator	0.123 kW/5,000 min ⁻¹ (rpm)

Lights	
headlight	12 V 25/25 W × 2
brake/tail light	LED
neutral indicator	LED
reverse indicator	LED
high oil temperature indicator	LED

Specifications

Fuse	
main	15 A

Torque Specification	
engine oil drain bolt	25 N·m (2.5 kgf·m , 18 lbf·ft)
rear final gear case oil drain bolt	12 N·m (1.2 kgf·m , 9 lbf·ft)
wheel nuts	64 N·m (6.5 kgf·m , 47 lbf·ft)

Break-in Guidelines

Help assure your ATV's future reliability and performance by paying extra attention to how you ride during the first operating day or 25 km (15 miles).

During this period, avoid full-throttle starts, rapid acceleration, and constant rpm operation.

High Altitude Carburetor Adjustment

Your engine's air-fuel mixture becomes overly rich when operated at high altitudes. Above 1,000 m (3,000 feet), a rich mixture can cause driveability problems, reduce engine performance, and increase fuel consumption.

A high altitude jet is available to compensate for high altitude richness. For those who are mechanically proficient and have the necessary tools, installation and adjustment procedures are given in the official Honda Shop Manual available from your Honda dealer. All others should have this carburetor modification performed by a Honda dealer.

However, the carburetor must be returned to standard factory specifications before riding again at lower altitudes (below 1,500 m, 5,000 feet).

Sustained riding at lower altitudes with the lean high-altitude setting may cause rough idling, stalling, or engine damage from overheating.

Altitude range	Main jet	Pilot screw	Throttle stop screw
0–1,500 m (0–5,000 feet)	No. 98	Factory preset	Factory preset
1,000–2,500 m (3,000–8,000 feet) or higher	No. 92	Screw in 1/4 turn clockwise from factory preset	Screw in 1/8 turn clockwise from factory preset

Petrol Containing Alcohol

If you decide to use a petrol containing alcohol (gasohol), be sure its octane rating is at least as high as that recommended above.

There are two types of gasohol: One contains ethanol, and the other contains methanol. Do not use gasohol that contains more than 10% ethanol. Do not use gasohol that contains methanol (methyl or wood alcohol) unless it also contains cosolvents and corrosion inhibitors for methanol. Never use petrol containing more than 5% methanol, even if it has cosolvents and corrosion inhibitors.

Engine performance problems resulting from the use of fuels that contain alcohol are not covered under the warranty. Honda cannot endorse the use of fuels containing methanol since evidence of their suitability is not yet complete.

Before buying fuel from an unfamiliar station, try to find out if the fuel contains alcohol. If it does, confirm the type and percentage of alcohol used. If you notice any undesirable operating symptoms while using a petrol that contains alcohol, or one that you think contains alcohol, switch to a petrol that you know does not contain alcohol.

Table of Contents

The following presents the contents of each section of your owner's manual.

ATV SAFETY	1
Important Safety Information	2
Safety Labels.....	5
INSTRUMENTS & CONTROLS.....	9
Operation Component Locations	11
Indicators & Displays.....	14
Multi-function Display.....	17
Odometer.....	18
Tripmeter.....	18
Hourmeter	19
Digital Clock.....	20

Table of Contents

Controls & Features	21
Fuel Valve	21
Choke Knob	22
Ignition Switch	23
Start Button	24
Engine Stop Switch	24
Headlight Switch	25
Headlight Dimmer Switch	25
Horn Button	25
Recoil Starter	26
Throttle Lever	27
Reverse Selector Knob	28
Front Brake Lever	29
Rear Brake Lever/Parking Brake Lever	29
Rear Brake Pedal	29
Parking Brake	30
Flag Pole Bracket	31
Trailer Hitch	32
BEFORE RIDING	33
Are You Ready to Ride?	34
Protective Apparel	34
Rider Training	36
Age Recommendation	37
No Passengers	37
No Alcohol or Drugs	38
Is Your ATV Ready to Ride?	39
Pre-ride Inspection	39

Table of Contents

BEFORE RIDING (cont'd)

Load Limits & Guidelines	42
Loading	42
Load Limits	43
Loading Guidelines	44
Accessories & Modifications	45
Accessories.....	45
Modifications	46

BASIC OPERATION & RIDING47

Safe Riding Precautions	49
Off-road Use Only	49
Keep Hands and Feet on Controls.....	50
Control Speed.....	51
Use Care on Unfamiliar or Rough Terrain.....	52
Do Not Perform Stunts.....	53
Starting & Stopping the Engine	54
Preparation	54
Starting Procedure	55
Flooded Engine	58
How to Stop the Engine	58
Using the Recoil Starter	59
Shifting Gears	60
Riding in Reverse	62
Braking.....	64
Riding Your ATV	66
Making Turns	66
Skidding or Sliding	68
Riding Up Hills	69
Riding Down Hills	73
Crossing or Turning on Hills or Slopes.....	74

Table of Contents

Riding Over Obstacles	76
Riding Through Water	77
Parking	78
SERVICING YOUR HONDA.....	79
<i>Before You Service Your Honda</i>	
The Importance of Maintenance	81
Maintenance Safety	82
Important Safety Precautions	83
Maintenance Schedule	84
Maintenance Record.....	88
 <i>Service Preparations</i>	
Maintenance Component Locations.....	89
Tool Kit	92
Owner's Manual Storage.....	93
Seat Removal	94
 <i>Service Procedures</i>	
<u>Fluids & Filters</u>	
Fuel	95
Engine Oil	98
Gear Case Oil	105
Air Cleaner	107

(cont'd)

Table of Contents

Engine

Throttle.....	112
Carburetor Choke Cable & Knob.....	114
Clutch System	115
Reverse Lock System.....	116
Engine Idle Speed and Air-Fuel Mixture	117
Spark Plug.....	119
Valves.....	122
Spark Arrester	123

Chassis

Brakes.....	124
Tyres	139
Engine Guard & Skid Plates.....	145

Electrical

Battery	146
---------------	-----

Appearance Care	151
-----------------------	-----

TIPS..... 155

Preparing for a Ride	156
What to Take to the Riding Area	156
What to Take on the Trail	157
Transporting Your Honda	158
Storing Your Honda	160
Preparation for Storage	161
Removal from Storage	163
You & the Environment.....	164

Table of Contents

TAKING CARE OF THE UNEXPECTED.....	165
General Guidelines.....	166
If Your Engine Quits or Won't Start.....	168
If You Have a Flat Tyre.....	171
If the High Oil Temperature Indicator Lights.....	174
If a Fuse Blows.....	175
If You Crash.....	177
If You Lose Your Key.....	178
If the Battery Is Low (or Dead).....	179
If a Component Fails.....	180
TECHNICAL INFORMATION.....	181
Vehicle Identification.....	182
Specifications.....	184
Break-in Guidelines.....	188
High Altitude Carburetor Adjustment.....	189
Petrol Containing Alcohol.....	190
TABLE OF CONTENTS.....	192
INDEX.....	198
MANUFACTURER AND AUTHORISED REPRESENTATIVE FOR EU MARKET	211

Index

A

accessories.....	45
age recommendation	37
air cleaner,	
dust cover	110
filter.....	107
housing drain tube	111
air pressure,	
gauge	92
tyre	139
altitude, high.....	189
apparel, protective	34
appearance care	151

B

Battery	146
Brakes,	
cables.....	135
draining water from.....	138
fluid.....	124
front brake lever.....	29
front brake lever freeplay.....	127
parking	30

Index

rear brake lever.....	29
rear brake lever freeplay	133
rear brake pedal	29
rear brake pedal freeplay.....	131
shoe lining clearance	129
shoe wear.....	136
braking	64
break-in guidelines	188
button,	
digital clock/hourmeter select	17, 19, 20
horn	25
hour select	17, 20
minute select.....	17, 20
odometer/tripmeter select.....	17, 18

C

capacity, fuel.....	96
carburetor,	
air-fuel mixture adjustment.....	118
altitude adjustment	189
idle speed adjustment	117
care, appearance	151
cargo,	
loading and operational guidelines.....	44
weight limit	43
choke,	
cable	114
knob.....	22, 55, 114
cleaning, appearance care.....	151
climbing hills.....	69
clutch system.....	115

(cont'd)

Index

colour label.....	183
compartment,	
owner's manual	93
tool kit	92
component fails.....	180
controls & features	21
crash, if you.....	177
crossing or turning on hills or slopes.....	75

D

digital clock.....	20
digital clock/hourmeter select button	19
dimmer switch, headlight	25
dipstick	102
display, multi-function	17

Index

E

engine,	
flooded	58
guard	145
idle speed.....	117
number	182
oil	98
pinging	95
starting.....	54
stop switch.....	24
stopping.....	58
won't start	168
environment	164
exhaust system,	
cleaning	40
purge	123

F

final gear case oil	105
flag pole bracket.....	31
flat tyre	171
flooded engine.....	58

(cont'd)

Index

fuel,	
fill cap	96
high altitude fuel mixture adjustment.....	189
recommendation	95
refueling.....	96
reserve fuel supply	96
tank capacity	96
valve.....	21
fuse.....	175

G

gap, spark plug	120
gasohol	190
gear case oil.....	105
gear shifting	28, 60

H

headlight dimmer switch	25
headlight switch	25
high altitude carburetor adjustment.....	189

Index

hills,	
crossing or turning on slopes.....	74
riding down hills	73
riding up hills	69
stopping on hills	71
horn button	25
hourmeter	19
hour select button	17, 19, 20

I

identification, vehicle.....	182
idle speed, engine	117
ignition switch.....	23
indicators,	
high oil temperature indicator	16
neutral indicator	16
reverse indicator	16
inspection, pre-ride.....	39

K

key,	
lost.....	178
number	178
kit, tool	92

Index

L

labels, safety.....	5
lamp check	14
limit, weight	43
load limits.....	43
loading guidelines	44
lubrication,	
engine oil.....	98
gear case oil.....	105

M

maintenance,	
component locations.....	89
importance.....	81
precautions	83
record	88
safety	82
schedule.....	84

Index

Manufacturer and authorised representative for EU market	211
maximum weight limit	43
minute select button	20
modifications.....	46
multi-function display	17

N

neutral indicator	16
numbers, serial	182

O

obstacles, riding over	76
odometer.....	18
odometer/tripmeter select button.....	18
oil,	
engine	98
gear case.....	105
high temperature.....	17, 174
operation component locations.....	11
owner's manual storage.....	93

Index

P

parking	78
passenger, no carrying.....	37
pavement, no riding on.....	49
petrol	95
petrol containing alcohol.....	190
pinging, engine.....	95
plug, spark.....	119
pre-ride inspection.....	39
problems, unexpected.....	165
protective apparel.....	34

R

rear final gear case oil	105
recoil starter.....	26
removal, seat	94
reverse,	
assist cable.....	116
assist lever	116
gear, shifting into	62
indicator	16
riding in.....	62
selector knob	28
rider training.....	36

Index

riding,	
basic operations	47
clothing	34
over obstacles	76
precautions	49
preparing for	156
safety	2
safety precautions.....	49
through water	77

S

safety,	
important precautions.....	83
labels	5
riding precautions.....	49
schedule, maintenance.....	84
seat removal	94
serial numbers	182

(cont'd)

Index

shifting gears	60
skid plates	145
skidding or sliding	68
spark arrester	123
spark knock	95
spark plug	119
specifications	184
speedometer	16
stalling on a hill	71
start button	24
starting, engine	54
troubleshooting	168
stop switch, engine	24
stopping engine	58
storage, ATV	160
owner's manual	93
switch, headlight	25
headlight dimmer	25
ignition	23

T

throttle,	
cable	112
lever.....	27, 112
tyres,	
air pressure	139
flat	171
replacing.....	144
repairing	143
thread conditions	141
tool kit	92
trailer hitch	32
trailer towing,	
operational guidelines	44
weight limits.....	43
training, rider.....	36
transporting your ATV	158
tripmeter	18
trouble, unexpected	165
troubleshooting, starting.....	168
turning,	
on hills or slopes.....	74
on level ground.....	67

V

valve, fuel.....	21
valve clearance	122
vehicle identification no. (VIN).....	182

Index

W

warning labels	5
washing your ATV	152
water,	
draining from brakes	138
riding through.....	77
weight limit	43
wheel removal	172

Manufacturer and Authorised Representative for EU Market

Manufacturer	Authorised Representative for EU Market
Honda of South Carolina Mfg., Inc. 1111 Honda way Timmons ville, South Carolina 29161, U.S.A.	Honda Motor Europe Ltd. Aalst Office Wijngaardveld 1 (Noord V), B-9300 Aalst- Belgium



**MADE FROM 50% RECYCLED PAPER
MINIMUM 10% POST-CONSUMER CONTENT**

<p>Honda Motor Europe (North) GmbH p.A. HONDA Austria GesmbH Hondasträße 1 A-2351 Wiener Neudorf AUSTRIA Tel.: 02236/6900</p>	<p>Honda Motor Europe (North) GmbH p.A. HONDA BELGIUM WIJNGAARDVELD 1 9300 AALST BELGIE/BELGIQUE Tel.: + 32 (0)53-725111 Fax.: + 32 (0)53-725100 www.honda.be</p>	<p>HONDA (SUISSE) S.A. ROUTE DES MOULIERES 10 1214 VERNIER-GENEVE SWITZERLAND Tel.: 022-9390909</p> <p>AS KELLOX POSTBOKS 170 NYGAARDSVEIEN 67 1401 SKI NORWAY Tel.: + 47 64 97 6100 Fax: + 47 64 97 6190 (2)</p>
<p>HONDA ITALIA INDUSTRIALE SPA Via Della Cecchignola, 5/7 00143 ROMA ITALY Tel.: 06-549281</p>	<p>TWO WHEELS LTD CROSSLANDS BUSINESS PARK BALLYMOUNT ROAD DUBLIN 12 IRELAND Tel.: + 353 1 460 2111 Fax: + 353 1 456 6747</p>	<p>Montesa-Honda S.A. C/ del Mar del Nord s/n Pol.Ind. "Can Roca" "La Torre del Rector" 08130 Sta. Perpetua de Mogoda Barcelona SPAIN Tel.: 93-5740770 Fax: 93-5743192</p>
<p>Honda Motor Europe (North) GmbH SPRENDLINGER LANDSTR. 166 63069 OFFENBACH AM MAIN DEUTSCHLAND Tel.: 069-83090 Fax: 069-832020</p>	<p>VILH. NELLEMANN HANDELSSELSKAB A/S Gåseagervej 12 DK-8250 Egå DENMARK Tel.: + 45 87 435 435 Fax: + 45 87 435 437</p>	<p>HONDA MOTOR DE PORTUGAL SA Abrunheira 2714-506 SINTRA PORTUGAL Tel.: 219 156 530 Fax: 219 151 019 www.motos.honda.pt</p>
<p>HONDA MOTOR EUROPE (SOUTH), S.A. PARC D'ACTIVITES PARIS-EST ALLEE DU 1ER MAI B.P. 46 CROISSY-BEAUBOURG 77183 MARNE-LA-VALLEE CEDEX 2 Tel.: 01-60-37-30-00 Fax: 01-60-37-30-99</p>	<p>Honda Motor Europe (North) GmbH p.a. HONDA NEDERLAND B.V. CAPRONILAAN 1 NL - 1119 NN SCHIPHOL-RIJK NEDERLAND Tel.: 020-707 0000 Fax: 020-707 0001</p>	<p>GENERAL AUTOMOTIVE CO. S.A. LEOFOROS ATHINON 71 PO BOX 1200 10173 ATHENS GREECE Tel.: + 30 210 34 83300 Fax: + 30 210 34 67329 www.honda.gr info@saracakis.gr</p>
<p>Honda Mc Svenska AB MAGASINSGATAN 6 PO BOX 10173 S-434 22 KUNGSBACKA SWEDEN Tel.: + 46 30 05 13 00 Fax: + 46 30 01 96 57 www.hondamc.com</p>	<p>OY BRANDT AB TUUPAKANTIE 7 B SF-01740 VANTAA FINLAND Tel.: + 35 89 89 55 01 Fax: + 35 89 87 85 276</p>	<p>JUAN ARMAS SA DIEGO VEGA SARMIENTO, 9 35014 LAS PALMAS DE GRAN CANARIA CANARY ISLANDS Tel.: + 34 9 28 41 86 00 Fax: + 34 9 28 41 87 95</p>
<p>HONDA (UK) 470 London Road Slough Berkshire SL3 8QY Tel.: + 44 1753 590 500 Fax: + 44 1753 590 000</p>	<p>AUTOMOCION CANARIAS S.A. CARRETERA EL SOBRADILLO, 4 38108 SANTA CRUZ DE TENERIFE CANARY ISLANDS Tel.: + 34 9 22 62 93 00 Fax: + 34 9 22 61 13 44</p>	<p>BASSADONE MOTORS LTD 42, DEVIL'S TOWER ROAD PO BOX 176 GIBRALTAR Tel.: + 350 79 004 Fax: + 350 78 005</p>
<p>HONDA ICELAND BERNHARD Ltd VATNAGARDAR 24-26 104 REYKJAVIK ICELAND Tel.: + 354 520 11 00 Fax: + 354 520 11 01 - 2 e-mail: honda@honda.is www.honda.is</p>	<p>ASSOCIATED MOTORS CO LTD New Street In San Gwakkim Road Mriehel Bypass Mriehel QRM 17 MALTA Tel.: + 356 21 49 85 61 Fax: + 356 21 48 01 50</p>	<p>AS DOMZALE MOTO CENTER, D.O.O. BLATNICA 3 A 1236 TRZIN SLOVENIA Tel.: + 386 1 5623 700/5622 242 Fax: + 386 15 623 705 website: www.as-domzale-servis.si</p>
<p>Honda Australia Motorcycles & Power Equipment Pty., Ltd. 1954-6 Hume High way Campbellfield Vic. 3061 AUSTRALIA Tel.: 03-270-1111</p>	<p>Blue Wing Honda Limited 271 Tirakau Drive East Tamaki, Auckland. New Zealand Tel.: 09-274-4939</p>	<p>HONDA HUNGARY LTD H-2040 BUDAÖRS TÖRÖKBALINTI u. 25 /b HUNGARY Tel.: + 36 23 506 406 Fax: + 36 23 416 650</p>
<p>Honda Poland Sp. Z.O.O. UL. PUŁAWSKA 381 02-801 WARSZAWA POLAND Tel.: + 48 22 545 75 00 Fax: + 48 22 545 75 80 www.honda.pl</p>	<p>HONDA CESKA REPUBLIKA S.R.O. BAVORSKA 20 155 01 PRAHA 5 CZECH REPUBLIC Tel.: + 420 2 57100 111 Fax: + 420 2 57100 245</p>	<p>AUTO CEUTA CARS S.A. MUELLE CANONERO DATO 25 CEUTA 11701 SPAIN Tel.: + 34 9 56 522 194 Fax: + 34 9 56 50 05 04</p>
<p>RUTING RUBESI 19 51215 KASTAV CROATIA Tel.: + 385 51 274 547 Fax: + 385 51 274 547</p>	<p>A.J. LALCHANDANI ALFONSO XII, 15 29801 MELILLA SPAIN Tel.: + 34 9 52 68 40 88 Fax: + 34 9 52 68 40 87</p> <p>Honda Slovakia s.r.o. Polus Millennium Tower Vajnorská 100/A 83103 Bratislava Tel.: + 421-2-444 411 48 Fax: + 421-2-444 411 50</p>	

WARNING

The improper operation of ATVs may result in severe injury or death

- Read the owner's Manual.
- Follow all warnings and instructions.
- Never use without proper training and instruction.

While riding :

- Never ride too fast for your skills or the conditions.
- Always use proper riding techniques for hills, slopes and rough terrain.
- Use care when changing riding surfaces. ATVs handle differently on different surfaces, such as sand, dirt, or pavement.



- Never carry a passenger, since it would affect balance and steering and may cause you to lose control.



- Avoid operating on public roads, since a collision can occur with another vehicle.



- Never ride after drinking alcohol or using drugs.



- Always wear a helmet, eye protection, and protective gear.