

# HOOPS DUAL ELECTRONIC BASKETBALL GAME ASSEMBLY INSTRUCTIONS



**Please Do Not Hesitate to  
Contact Our Consumer Hotline  
at 800-759-0977  
with Any Questions That May  
Arise During Assembly or  
Use of This Product!**

# THANK YOU!

**Thank you for purchasing this product.** We work around the clock and around the globe to ensure that our products maintain the highest possible quality. However, in the rare case of issues during assembly or use of this product, please contact our Consumer Hotline at **800-759-0977** for immediate assistance before contacting your retailer. Please read the warranty information at the back of these assembly instructions for further details.

## ASSEMBLY TIPS

### **IMPORTANT! PLEASE READ THESE ASSEMBLY INSTRUCTIONS IN ENTIRETY BEFORE ASSEMBLING YOUR PRODUCT.**

1. Find a clean, level surface to begin the assembly of your game. We recommend that two adults work together to assemble this game. You may want to carefully cut or tear the four corners of the box so that the bottom of the box can be used as your work surface.
2. Remove all of the contents from box and verify that you have all of the parts shown on the Parts Identifier before you begin assembly. **Note: Some parts may be pre-installed or pre-assembled.**
3. Some figures or drawings may not look exactly like product.
4. ***When installing parts that have more than one screw or bolt, hand tighten all screws or bolts in place before final tightening with screwdriver or wrench.***
5. Electric screwdrivers may be helpful during assembly; however, please set a **low torque** and use extreme caution because screws may be stripped or overtightened, resulting in damaged parts, if the electric screwdriver's torque is set too high.

### **WARNINGS!**

READ AND FOLLOW ALL ASSEMBLY, OPERATION AND SAFETY INSTRUCTIONS CAREFULLY.

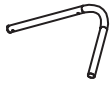





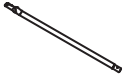








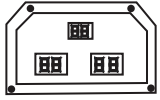
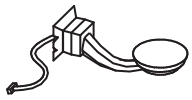
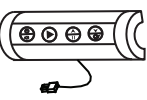
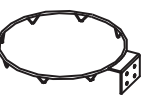
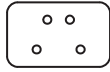
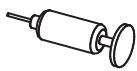
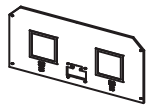








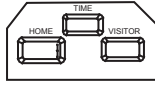
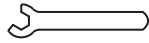
**CHOKER HAZARD - THIS ITEM MAY CONTAIN SMALL BALLS AND PARTS NOT SUITABLE FOR CHILDREN UNDER 3 YEARS OF AGE.**

### **CARE AND USE**

1. This product is intended for **INDOOR** use only.
2. Do **NOT** drag the game when moving it, as this will damage the legs.

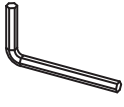
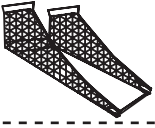

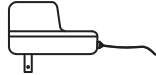

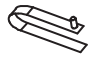


# HOOPS DUAL ELECTRONIC BASKETBALL - NG2237BL

## Parts List

1 NGP56201  x2 Rear Top Leg	2 NGP56211  x2 Rear Middle Leg	3 NGP56221  x1 Rear Bottom Leg - Left	4 NGP56222  x1 Rear Bottom Leg - Right
5 NGP56251  x2 Back Arm	6 NGP56291  x2 Middle Arm	7 NGP56261  x2 Center Top Leg	8 NGP56271  x1 Center Middle Leg - Right
9 NGP56272  x1 Center Middle Leg - Left	10 NGP56231  x2 Base	11 NGP56301 Hinge ONLY NGP56311  x1 Front Arm - Right	12 NGP56302 Hinge ONLY NGP56312  x1 Front Arm - Left
13 NGP56331  x2 Cross Brace	14 NGP56321  x1 Lean Bar	15 NGP2217  x6 Basketball	16 NGP6033  x1 Electronic Scorer
17 NGP6034  x2 Switch Sensor	18 NGP6035  x1 Control Box with Wire	19 NGP5637  x2 Rim	20 NGP6037  x2 Rim Support Plate
21 NGP6038  x1 Inflation Pump with Needle	22 NGP56361  x1 Backboard	23 NGP56421*  x64 M6 Washer	24 NGP56421*  x16 M6 x 20mm Bolt
25 NGP56421*  x8 M6 x 41mm Bolt	26 NGP56421*  x4 M6 x 50mm Bolt	27 NGP56421*  x2 M6 x 68mm Bolt	28 NGP56421*  x2 M6 x 45mm Bolt
29 NGP56421*  x32 M6 Nut	30 NGP56431**  x4 M3 x 5 x 10mm Bolt	31 NGP6042  x1 Electronic Scorer Face Plate	32 NGP56421*  x1 Wrench

# HOOPS DUAL ELECTRONIC BASKETBALL - NG2237BL

## Parts List (Cont.)

<b>33</b> NGP56421*  x1 Hex Wrench	<b>34</b> NGP56351  x1 Ball Return Net	<b>35</b> NGP5637  x2 Net	<b>37</b> NGP56411  x1 Power Adapter
<b>36</b> Pre-installed  x2 Lock Pin	<b>A1</b> Pre-installed  x12 Spring Lock	<b>A2</b> Pre-installed  x2 Plastic Pole Insert	<b>A3</b> Pre-installed  x4 Foot Pad

For replacement parts please call 800-759-0977.

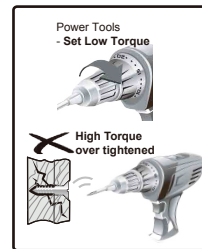
\*Items included in Hardware Pack, NGP56421

### TOOLS REQUIRED

- Wrench - Included
- Allen Wrench - Included

### CAUTION!

Electric Screwdrivers may be helpful during assembly; however, please set a low torque and use extreme caution.



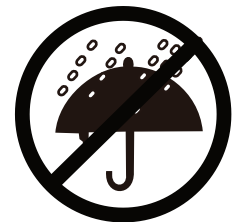
Strong Adults Needed



No Children in  
Assembly Area



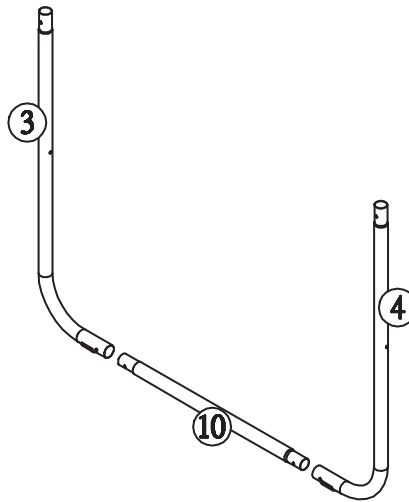
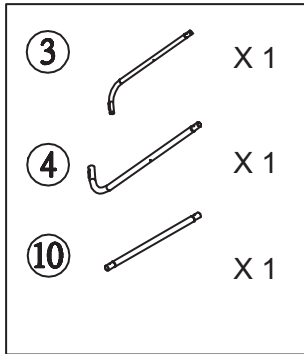
Keep away from pets



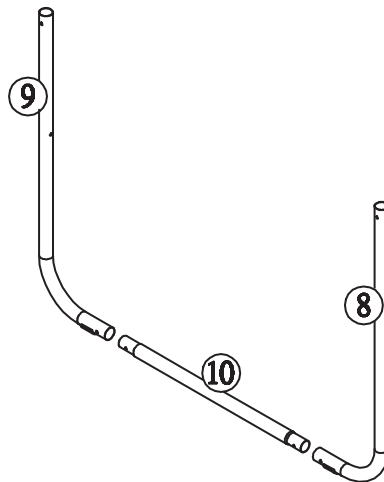
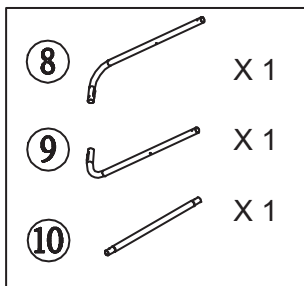
Do not use or keep product  
outdoors. For indoor use only.  
No wet/humid conditions.

# ASSEMBLY INSTRUCTIONS

**FIG. 1**








**FIG. 2**

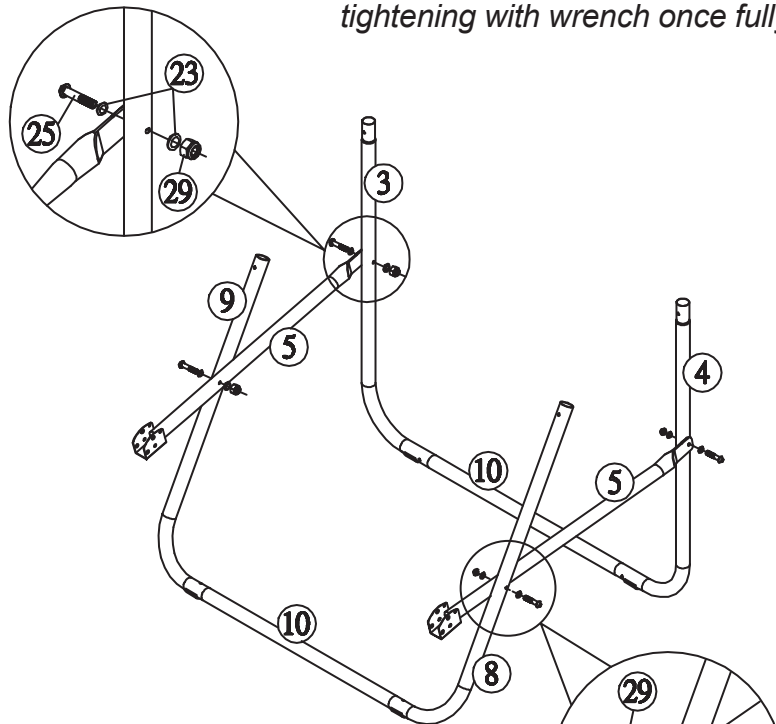


# ASSEMBLY INSTRUCTIONS (CONT.)






**FIG. 3**

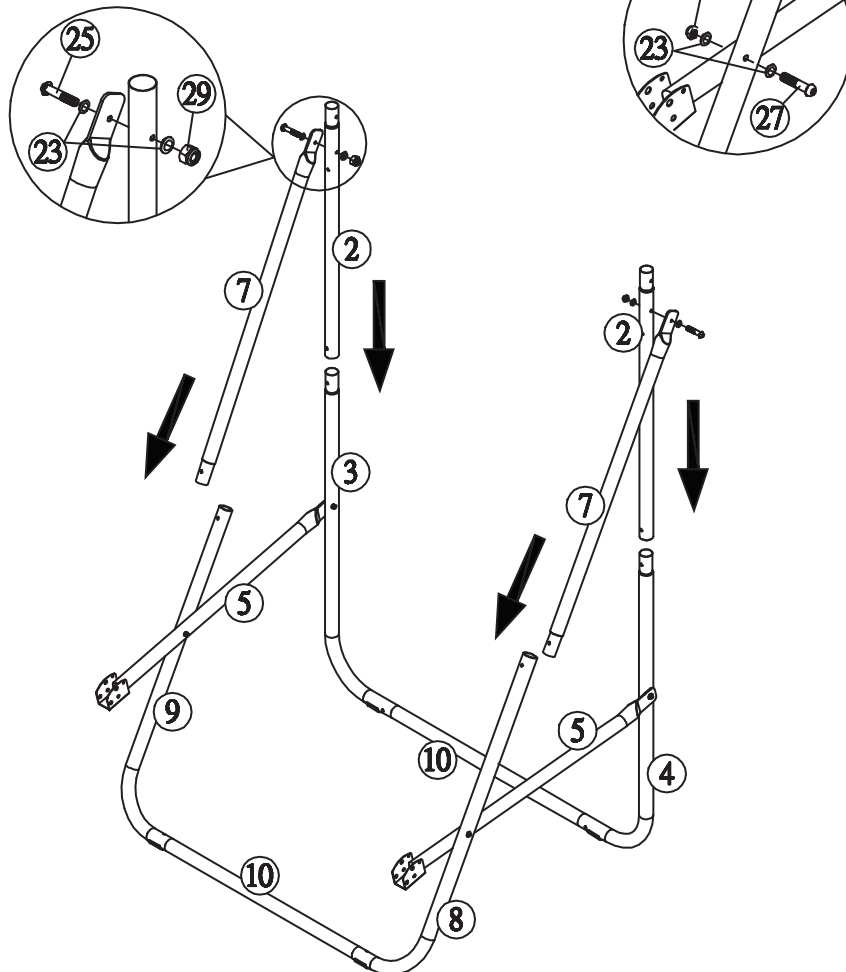
5		X 2
23		X 8
25		X 2
27		X 2
29		X 4

*NOTE: Hand tighten all bolts in place, then tightening with wrench once fully assembled.*



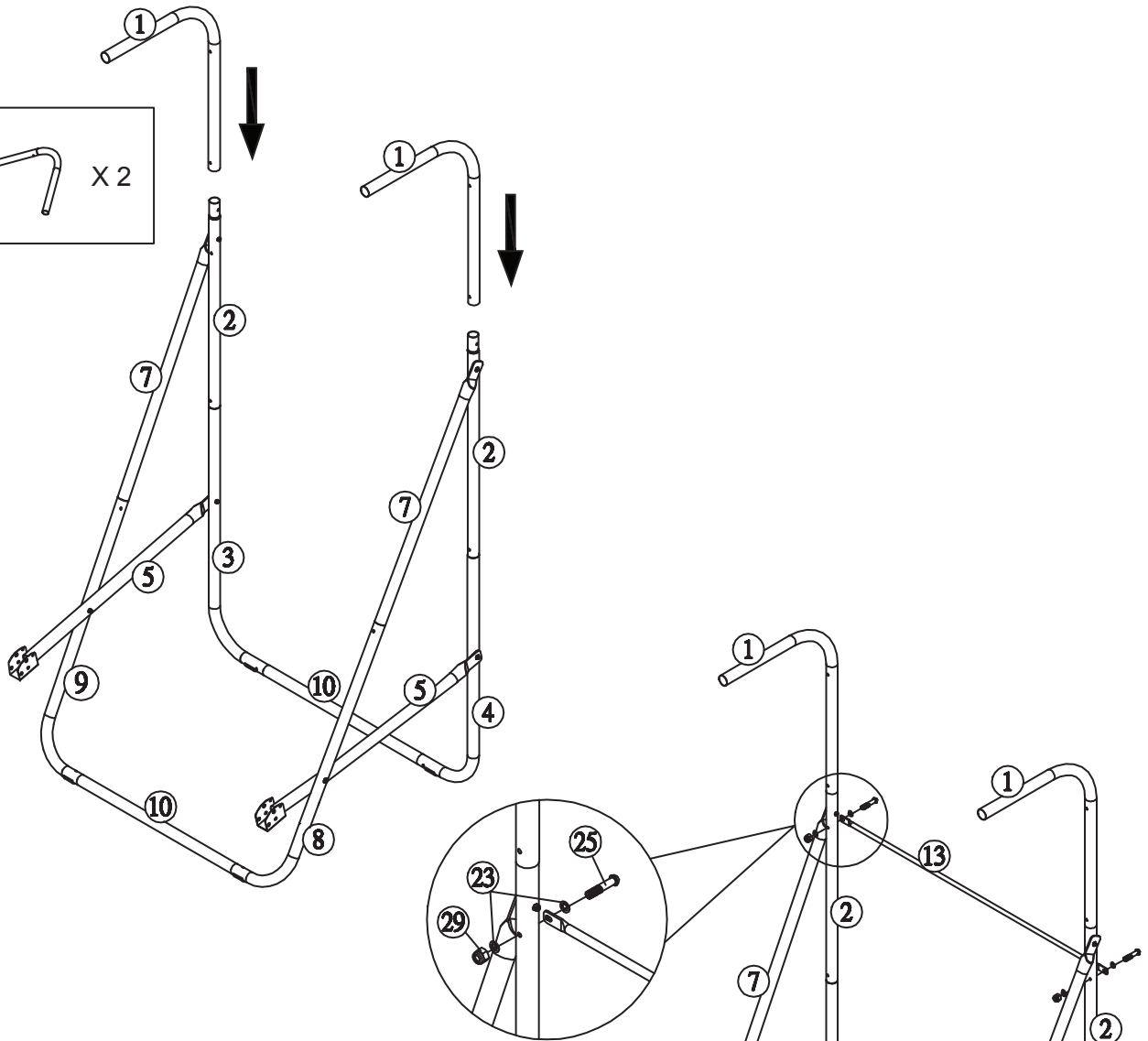
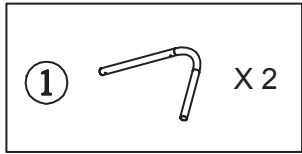
**FIG. 4**

2		X 2
7		X 2
23		X 4
25		X 2
29		X 2

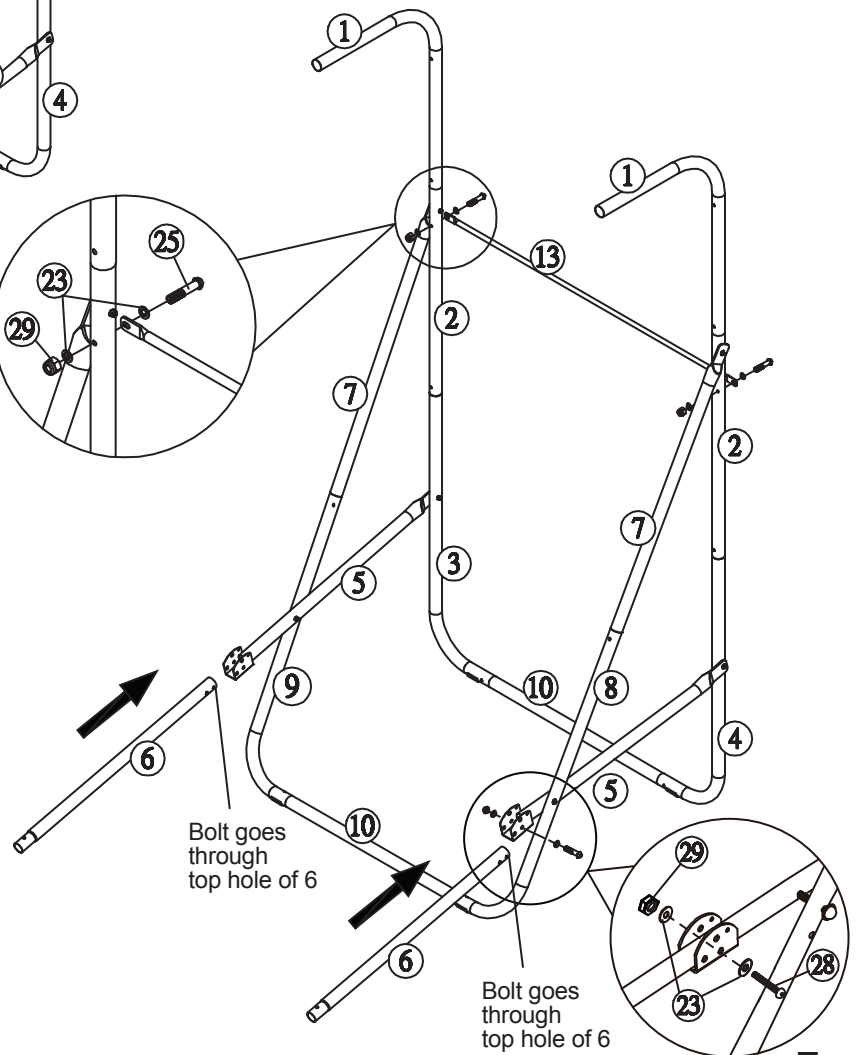
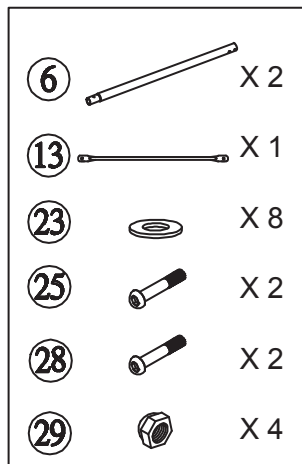


# ASSEMBLY INSTRUCTIONS (CONT.)

**FIG. 5**

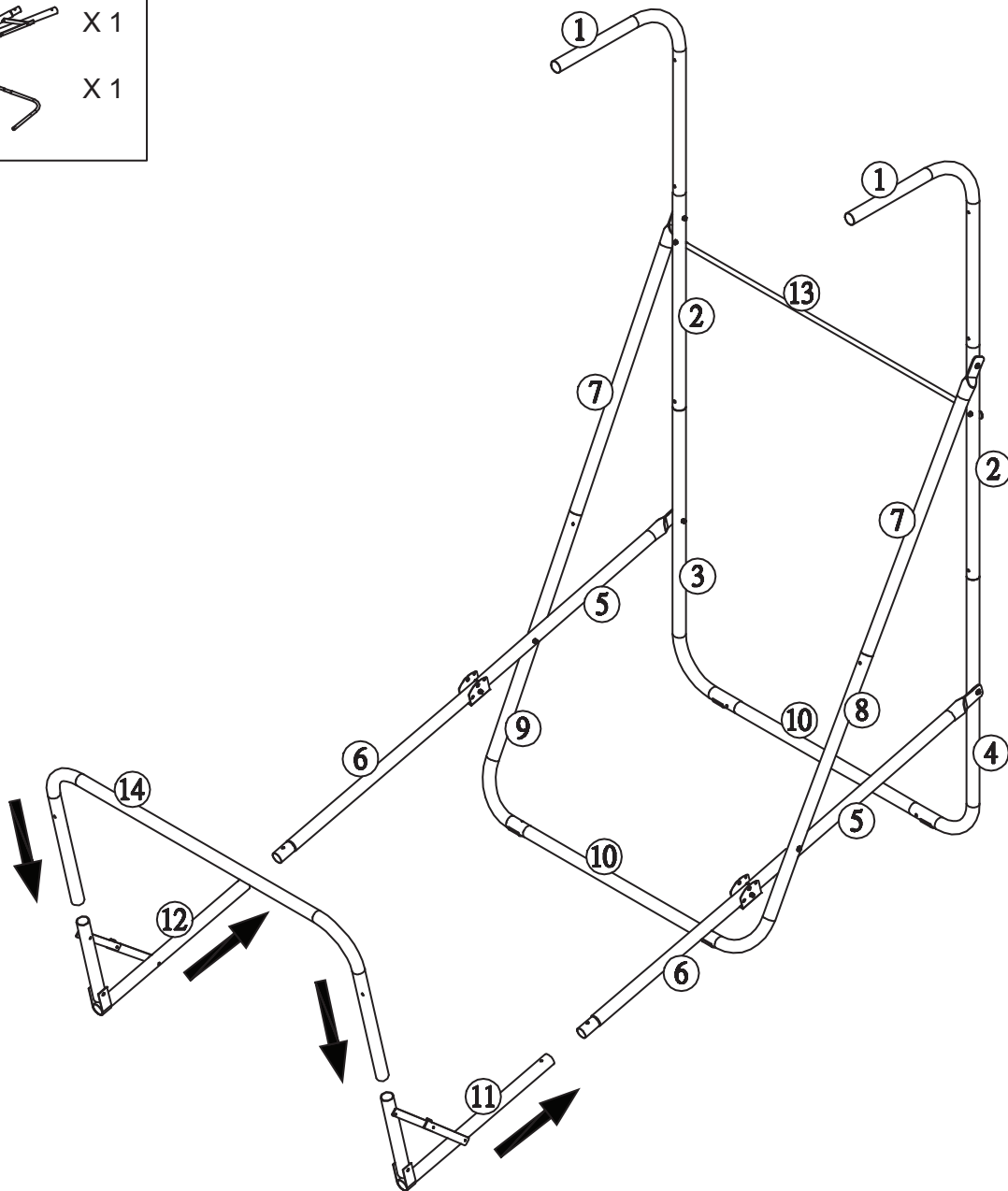
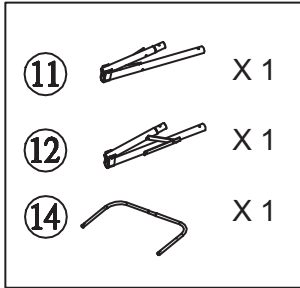


**FIG. 6**



# ASSEMBLY INSTRUCTIONS (CONT.)








FIG. 7

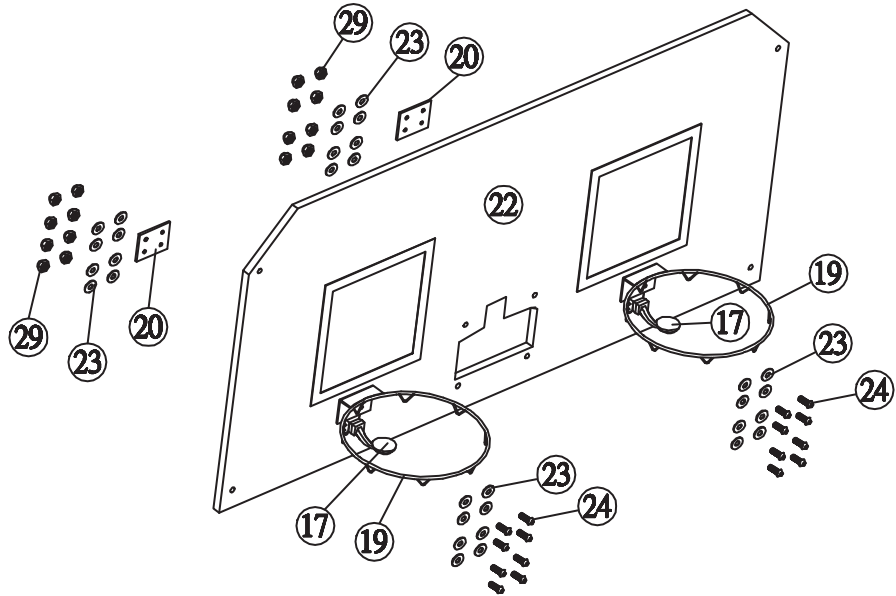








# ASSEMBLY INSTRUCTIONS (CONT.)

**FIG. 8**

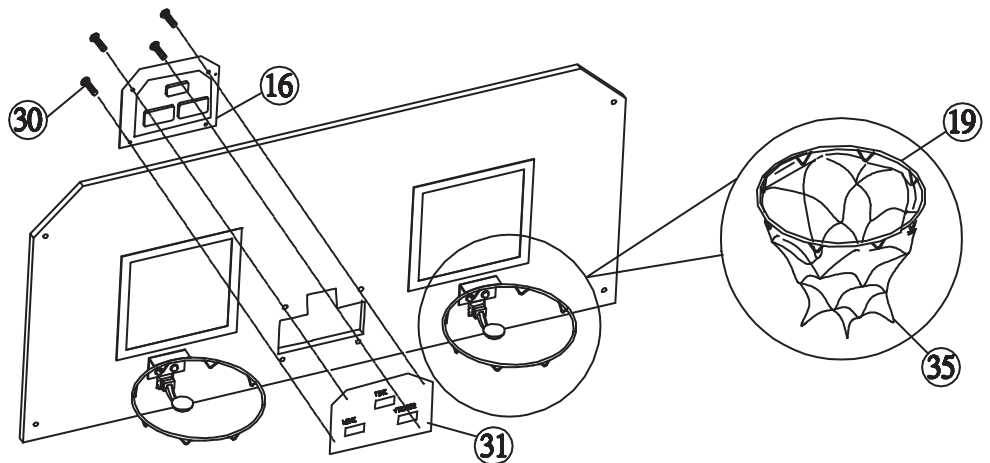
17		X 2
19		X 2
20		X 2
22		X 1
23		X 32
24		X 16
29		X 16



**FIG. 9**

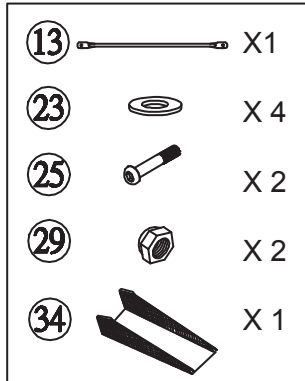
16		X 1
30		X 4
31		X 1
35		X 2

Attaching Net, 35

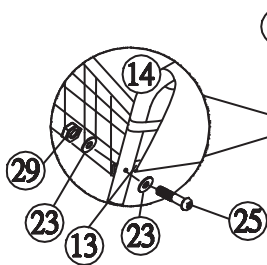


# ASSEMBLY INSTRUCTIONS (CONT.)

**FIG. 10**



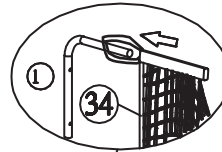
1. Disengage Lean Bar (14) and slip end through elastic straps and pocket at bottom of Ball Return (34), then reattach to Front Arms (11&12)



2. Slip Cross Brace (13) on inside of Ball Return (34) and attach to Lean Bar (14) on each end using hardware as shown



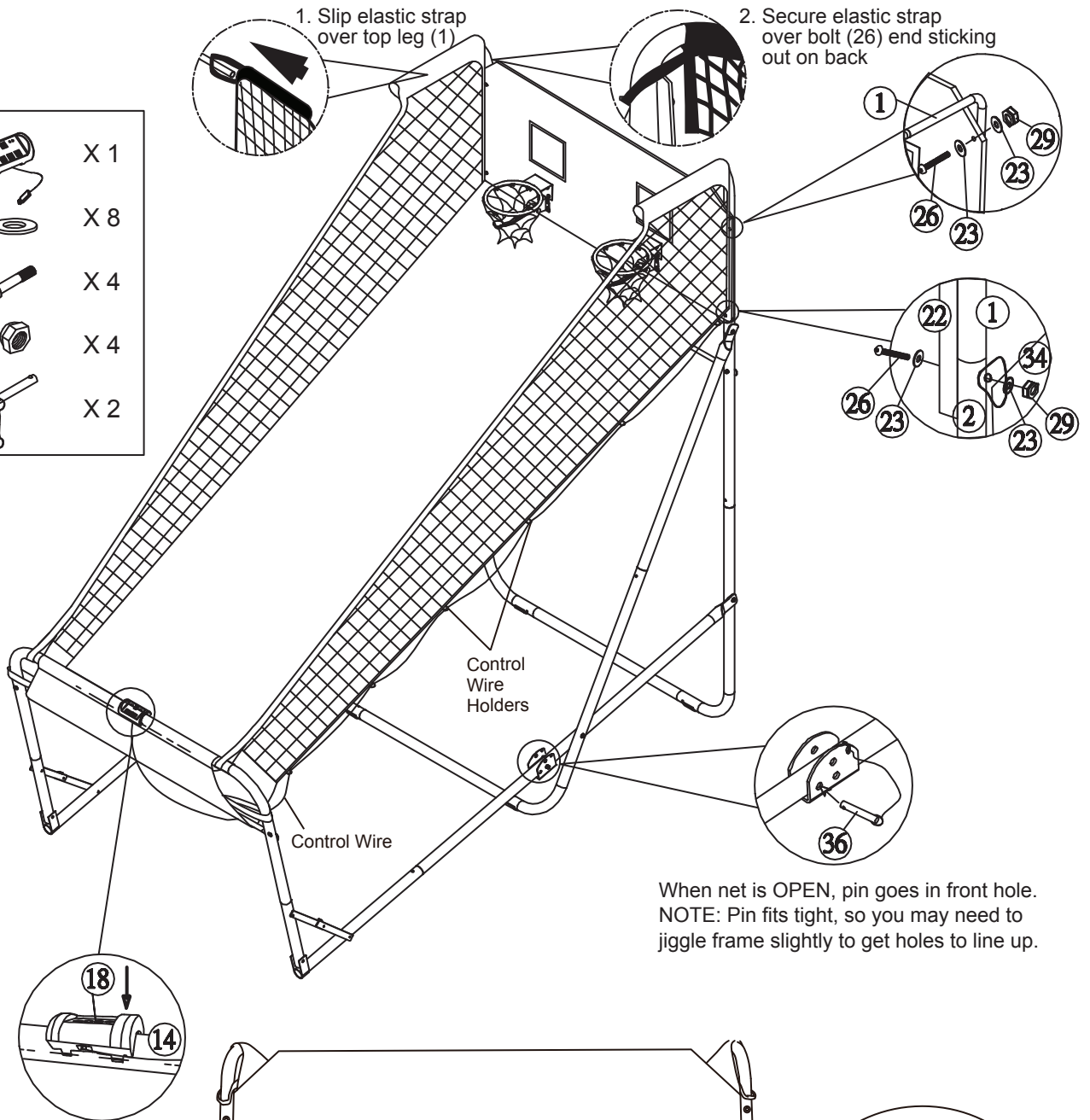
3. Wrap top Velcro straps on Ball Return (34) around Lean Bar (14) on both side and secure to other end of strap with Velcro



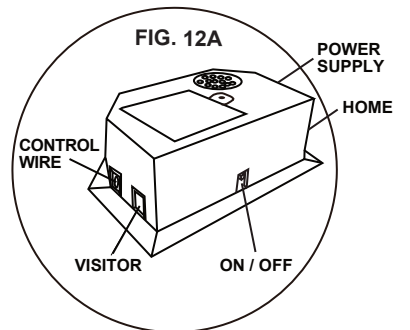
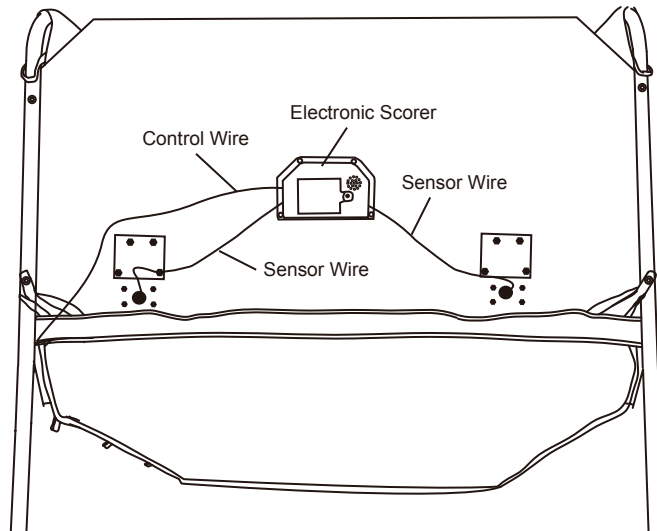
# ASSEMBLY INSTRUCTIONS (CONT.)

**FIG. 11**

18		X 1
23		X 8
26		X 4
29		X 4
36		X 2



**FIG. 12**



# ASSEMBLY INSTRUCTIONS (CONT.)

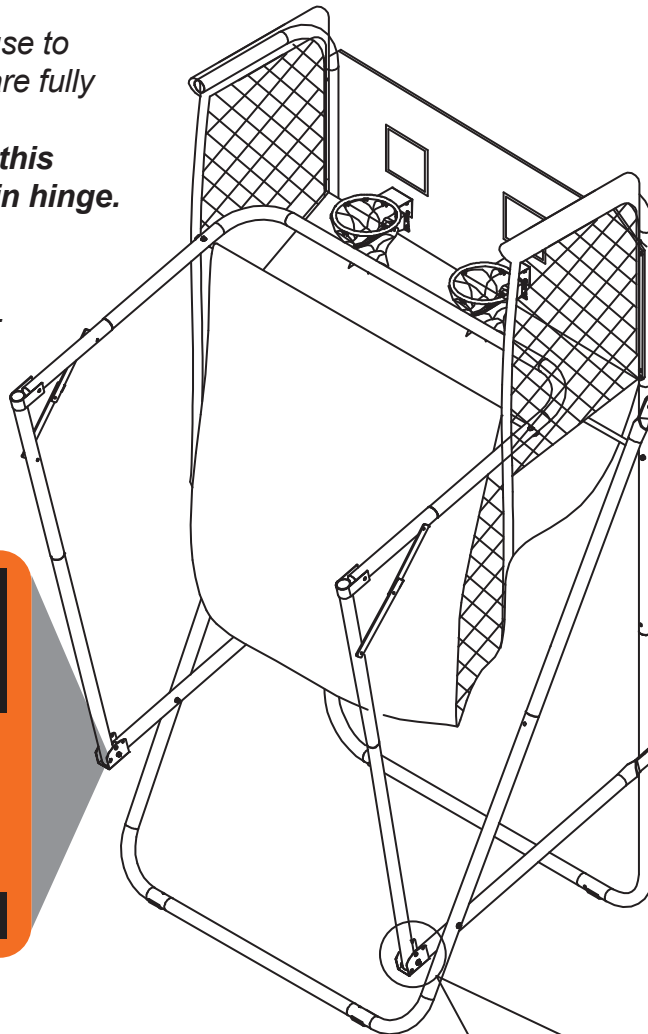
**FIG. 13**

*Game can be folded when not in use to save space. Make sure lock pins are fully engaged in up or down position.*

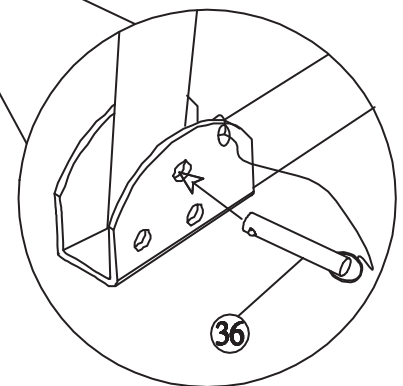
***Please be cautious when doing this as to not pinch fingers or hand in hinge.***

*Always make sure lock pins are **disengaged** before folding net.*

*Failing to do so will damage game.*



When net is CLOSED, pin goes in top hole.  
NOTE: Lock pin chain should be attached to back top hole.

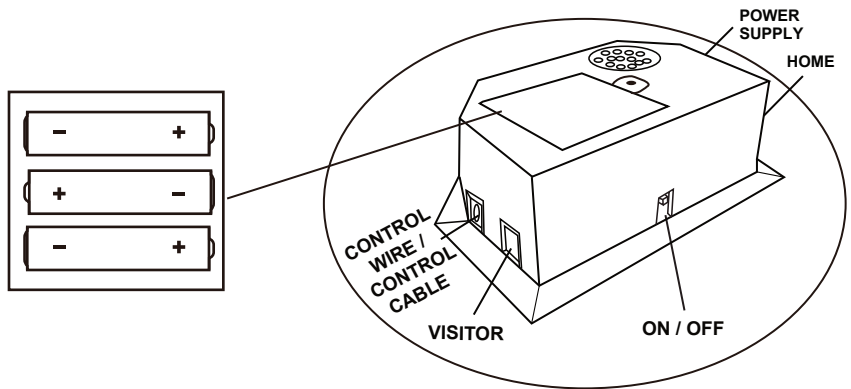


# ASSEMBLY INSTRUCTIONS (CONT.)

## ELECTRONIC SCORER OPERATION

### Use Enclosed Power Adapter or Install Batteries:

Using a screwdriver, unscrew lid and open the battery box. Insert 3 "AA" batteries ( not included) in the order of polarity as shown on the inside cover. Close the cover and tighten screw. Turn the power ON using the ON/OFF switch.



### Reminders:

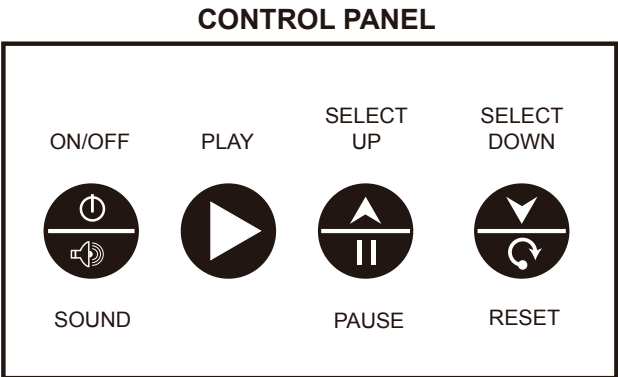
- DO NOT insert batteries if using Power Adapter.
- Batteries must be installed according to the correct polarization (+ and -) requirement.
- Please clean the battery contacts, and also those of the device, prior to battery installation.
- If the game will not be used for a long period of time, we recommend that the batteries should be removed.

**⚠ WARNING:**

- 1) Requires 3 "AA" batteries (not included).
- 2) Do not mix old and new batteries.
- 3) Do not mix alkaline, standard (carbon zinc), or rechargeable (nickel-cadmium) batteries.

## CONTROL BOX OPERATION

Press "ON/OFF" to activate the scorer.  
Scoreboard "HOME" shows "01" (pre- set game 1).  
Press "SELECT UP and DOWN" to select a game.  
Press "PLAY" to enter selected game mode.  
Press "SOUND" to switch sound ON/OFF while playing.  
Press "PAUSE" to pause or start time counting.  
Press and hold the button "ON/OFF" 3 seconds to turn off scorer.  
Press and hold the button "RESET" 3 seconds to reset the games.  
**NOTE: If no shot is made or no button is pressed in 15 mins, scorer will be turned off automatically.**



# CHOOSE FROM 8 DIFFERENT GAME OPTIONS

## 1. Beat the Clock

Press "PLAY" to enter game 1.

Press "UP/Down" to select single/multiple players (P1/P2/P3/P4).

Press "PLAY" after the number of players is selected.

Press "UP/Down" to select playing time, 30/45/60 seconds.

Press "PLAY" to begin the game.

Scoreboard "HOME" shows Player 1, 3;

Scoreboard "VISITOR" shows Player 2, 4.

All shots worth 2 points until last 10 seconds, then each score counts 3 points. Countdown 5 seconds to next player's turn when one player finishes game. Player with most points scored wins ( LED will flash on player with higher score).

Press "PLAY" to restart this game.

## 2. 3 Point Beat the Clock

Press "PLAY" to enter game 2.

Press "UP/Down" to select single/multiple players (P1/P2/P3/P4).

Press "PLAY" after the number of players is selected.

Press "UP/Down" to select playing time, 30/45/60 seconds.

Press "PLAY" to begin the game.

Scoreboard "HOME" shows Player 1, 3;

Scoreboard "VISITOR" shows Player 2, 4.

All shots made count 3. Countdown 5 seconds to next player's turn when one player finishes game. Player with most points scored wins ( LED will flash on player with higher score).

Press "PLAY" to restart this game.

## 3. Battle Back

Press "PLAY" to enter game 3.

Press "UP/Down" to select multiple players (P2/P4).

Press "PLAY" to begin the game.

Shot made in "HOME" frame, +2 points scored display on "HOME" board and -2 points for "VISITOR".

Shot made in "VISITOR" frame, +2 points scored display on "VISITOR" board and -2 points for "HOME".

Once a player scores 10 points they win and game is finished.

Press "PLAY" to restart this game.

## 4. Horse

Press "PLAY" to enter game 4.

Press "UP/Down" to select multiple players (P2/P3/P4).

Press "PLAY" after the number of players is selected.

Player has to make a shot in 2 seconds.

First player is allowed to shoot at any hoop (HOME or VISITOR). If first player scores in 2 seconds, no letter is given. Game continues for next player. Scoreboard will display "next player (P2/P3/P4)" and LED will flash twice in a second. After flash, next player has to duplicate the shot in the same hoop selected by first player.

If player can't score in 2 seconds, player receives the first letter "H" which will display on scoreboard. Game remains for the same player until the player scores. If player keeps missing, player receives "O" followed by "R", "S", "E".

After the letter "E" is given, the player is out.

The first player to spell "horse" is out. Play continues until last player to spell "horse" wins.

Press "PLAY" to restart this game.

## 5. Check Point

Press "PLAY" to enter game 5.

Press "UP/Down" to select single/multiple players (P1/P2/P3/P4).

Press "PLAY" after the number of players is selected.

"HOME" displays "player", "VISITOR" displays "24" points, pre-set 40 seconds playing time.

Points scored will display on scoreboard "HOME".

Before time is out, once 24/52/68/86 points is scored, playing time increases 10/20/10/20 seconds respectively.

Countdown 5 seconds to next player's turn when one player finishes game.

Player with most points scored wins ( LED will flash on player with higher score).

Game is finished when a player scores 98 points.

Press "PLAY" to restart this game.

## 6. Around the World

Use tape to mark shooting lines.

Press "PLAY" to enter game 6.

Press "UP/Down" to select single/multiple players (P1/P2/P3/P4).

Press "PLAY" after the number of players is selected.

"HOME" scoreboard displays Player 1/2/3/4, "VISITOR" displays points scored.

Once score reaches 10 points or time reaches 99 seconds, 5 second countdown, until next player's turn, when one player finishes game.

Player who finishes the game first wins (LED will flash on winner).

Press "PLAY" to restart this game.

# CHOOSE FROM 8 DIFFERENT GAME OPTIONS

## 7. Left and Right Shoot

Press "PLAY" to enter game 7.

Press "UP/Down" to select single/multiple players (P1/P2/P3/P4).

Press "PLAY" after the number of players is selected.

Press "UP/Down" to select playing time, 30/45/60 seconds.

Press "PLAY" to begin the game.

Scoreboard "HOME" displays Player, "VISITOR" displays points

Make a shot in "HOME" frame when LED is flashing on "HOME", 2 points scored display on "HOME".

Make a shot in "VISITOR" frame when LED is flashing on "VISITOR", 2 points scored display on "VISITOR".

5 second countdown, until next player's turn, when one player finishes game.

Player with most points scored wins ( LED will flash on player with higher score).

Press "PLAY" to restart this game.

## 8. One on One

Press "PLAY" to enter game 8.

Press "UP/Down" to select single/multiple players (P1/P2/P3/P4).

Press "PLAY" after the number of players is selected.

Press "UP/Down" to select playing time, 30/45/60 seconds.

Press "PLAY" to begin the game.

Scoreboard "HOME" displays Players 1 and 3, "VISITOR" displays Players 2 and 4.

All shots worth 2 points until last 10 seconds, then each score counts 3 points. Countdown 5 seconds to next player's turn when one player finishes game. Player with most points scored wins ( LED will flash on player with higher score).

Press "PLAY" to restart this game.

# 180-DAY LIMITED WARRANTY

This product is warranted to the original purchaser to be free from defects in material or workmanship for a period of 180 days from the date of the original retail purchase.

This warranty does not cover defects or damage due to improper installation, alteration, accident or any other event beyond the control of the manufacturer. Defects or damage resulting from misuse, abuse or negligence will void this warranty. This warranty does not cover scratching or damage that may result from normal usage.

This product is not intended for institutional or commercial use; the manufacturer does not assume any liability for such use. Institutional or commercial use will void this warranty.

This warranty is nontransferable and is expressly limited to the repair or replacement of the defective product. During the warranty period, the manufacturer shall repair or replace defective parts at no cost to the purchaser. Shipping charges and insurance are not covered and are the responsibility of the purchaser. Labor charges and related expenses for removal, installation or replacement of the product or components are not covered under this warranty.

The manufacturer reserves the right to make substitutions to warranty claims if parts are unavailable or obsolete.

The manufacturer shall not be liable for loss of use of the product or other consequential or incidental costs, expenses or damages incurred by the consumer of any other use. The user assumes all risk of injury resulting from the use of this product.

This warranty is expressly in lieu of all other warranties, expressed or implied, including warranties of merchantability or fitness for use to the extent permitted by Federal or state law. Neither the manufacturer nor any of its representatives assumes any other liability in connection with this product.

**All warranty claims must be made through the retailer where the product was originally purchased. A purchase receipt or other proof of date of purchase will be required to process all warranty claims. The model number and part numbers found within the assembly instructions will be required when submitting any parts requests or warranty claims.**

**For further warranty information or inquiries, please call 800-759-0977**



# JEU DE BASKET-BALL ÉLECTRONIQUE HOOPS DUAL INSTRUCTIONS D'ASSEMBLAGE



Contactez notre  
service à la clientèle au  
**800-759-0977**  
avec des questions sur le montage  
ou l'utilisation de ce produit.

# MERCI!

**Merci d'avoir acheté notre produit.** Nous travaillons 24 heures sur 24, partout dans le monde, à garantir que nos produits sont de la meilleure qualité possible. Toutefois, dans les rares cas de problèmes lors du montage ou de l'utilisation de ce produit, se il vous plaît communiquer avec notre service à la clientèle au **800-759-0977** pour une aide immédiate avant de contacter votre revendeur. Pour obtenir de plus amples renseignements, veuillez lire l'information relative à la garantie au verso de ce guide d'instructions.

## INSTRUCTIONS D'ASSEMBLAGE

### **IMPORTANT! VEUILLEZ LIRE, EN ENTIER, TOUTES LES INSTRUCTIONS AVANT D'ASSEMBLER VOTRE PRODUIT.**

1. Trouver une surface propre et plane, pour commencer le montage de votre table de jeu. La table s'assemble à l'envers pour être ensuite retournée sur ses pieds, une fois l'assemblage complété. Cette table est lourde et nécessite au moins deux adultes forts pour la soulever et la retourner.
2. Retirez le contenu de la boîte, avant de commencer l'assemblage, assurez-vous d'avoir toutes les pièces telles que listées et illustrées au tableau d'identification. ***Avis : certaines pièces sont préassemblées ou préinstallées.***
3. Certaines illustrations ou dessins peuvent ne pas ressembler au produit que vous avez acheté.
4. ***Quand vous fixez en place une pièce avec plus d'une vis ou écrou, veuillez, en premier, les visser à la main et terminer la fixation avec un tournevis ou une clé.***
5. Un tournevis électrique peut être utile lors de l'assemblage, mais veuillez le régler à ***basse torque*** et l'utiliser avec prudence; si la torque est trop élevée, la vis peut se défaire ou être trop serrée.

### **AVERTISSEMENTS!**

LIRE TOUTES LES INSTRUCTIONS D'ASSEMBLAGE ET LES CONSIGNES DE SÉCURITÉ ATTENTIVEMENT.

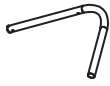





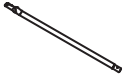






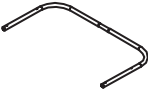

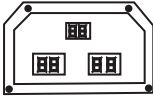
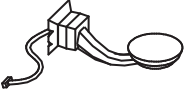
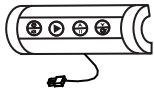

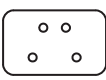
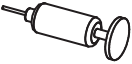
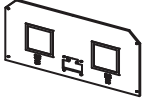








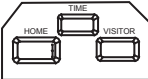
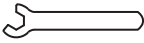
**RISQUE D'ÉTOUFFEMENT – CERTAINS ÉLÉMENTS DU PRODUIT CONTIENNENT DE PETITES PIÈCES - NE CONVIENT PAS À UN ENFANT DE MOINS DE TROIS ANS.**

### **ENTRETIEN ET USAGE**

1. Ce produit doit être utilisé **À L'INTÉRIEUR** seulement.
2. **NE JAMAIS** déplacer le jeu en la traînant, cela pourrait endommager les pieds.

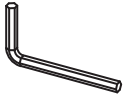
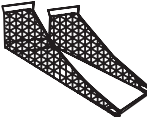

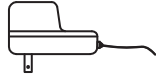

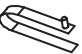


# JEU DE BASKET-BALL ÉLECTRONIQUE - NG2237BL

## liste des pièces

1	NGP56201		x2	2	NGP56211		x2	3	NGP56221		x1	4	NGP56222		x1
		Tube L arrière supérieur				Tube arrière centre				Tube arrière inférieur - gauche				Tube arrière inférieur - droite	
5	NGP56251		x2	6	NGP56291		x2	7	NGP56261		x2	8	NGP56271		x1
		Tube d'assemblage				Tube centre				Tube centre supérieur				Tube centre centre - droite	
9	NGP56272		x1	10	NGP56231		x2	11	NGP56301		x1	12	NGP56302		x1
		Tube centre centre - gauche				Base				Tube avant - droite				Tube avant - gauche	
										Charnière SEULEMENT NGP56311				Charnière SEULEMENT NGP56312	
13	NGP56331		x2	14	NGP56321		x1	15	NGP2217		x6	16	NGP6033		x1
		Tube de support				Tube u de pente				Ballon de basket				Marqueur électronique	
17	NGP6034		x2	18	NGP6035		x1	19	NGP5637		x2	20	NGP6037		x2
		Interrupteur				Le boîtier de commande avec fil				Panier				Panneau de support pour panier	
21	NGP6038		x1	22	NGP56361		x1	23	NGP56421*		x64	24	NGP56421*		x16
		Pompe à air avec aiguille				Panneau arrière				Rondelle 6 mm				Boulon 6 mm x 20mm	
25	NGP56421*		x8	26	NGP56421*		x4	27	NGP56421*		x2	28	NGP56421*		x2
		Boulon 6 mm x 41mm				Boulon 6 mm x 50mm				Boulon 6 mm x 68mm				Boulon 6 mm x 45mm	
29	NGP56421*		x32	30	NGP56431**		x4	31	NGP6042		x1	32	NGP56421*		x1
		Écrou M6				Boulon M3 5 x 10mm				Tableau électronique				Clé anglaise	

# JEU DE BASKET-BALL ÉLECTRONIQUE - NG2237BL

## liste des pièces (suite)

<b>33</b> NGP56421*  x1 Clé hexagonale	<b>34</b> NGP56351  x1 Filet de retour de ballon	<b>35</b> NGP5637  x2 Panier	<b>37</b> NGP56411  x1 Adaptateur secteur
<b>36</b> Pre-installed  x2 Attache de sécurité	<b>A1</b> Pre-installed  x12 Attache à ressort	<b>A2</b> Pre-installed  x2 Plastique Pôle Insertion	<b>A3</b> Pre-installed  x4 Patin de pied

*Pour commander les pièces de remplacement, veuillez téléphoner au 1 800 759-0977*

\*Pièces incluses dans le sac de quincaillerie NGP56421

## Outils requis

- Clé - incluse
- Clé hexagonale - incluse

### AVERTISSEMENT!

L'utilisation d'un tournevis électrique peut être utile pendant l'assemblage; toutefois, réglez-le à une basse vitesse et soyez extrêmement prudent.



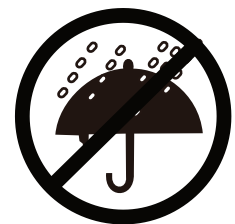
Deux adultes sont requis pour la manipulation



Ne pas laisser un enfant dans la zone d'assemblage



Tenir loin des animaux



Ne pas l'utiliser ou l'entreposer à l'extérieur. Pour usage à l'intérieur seulement. Éviter les endroits mouillés et humides.

# INSTRUCTIONS D'ASSEMBLAGE

FIG. 1

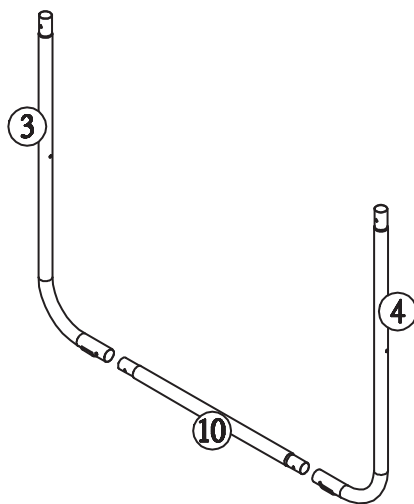
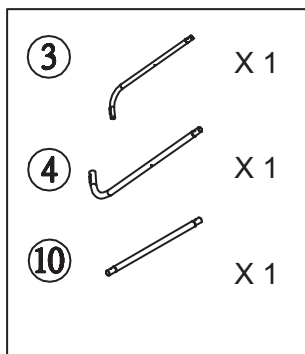
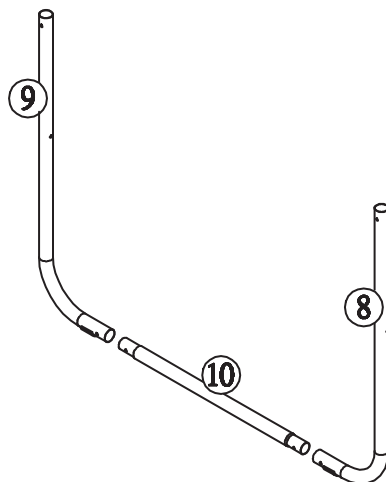
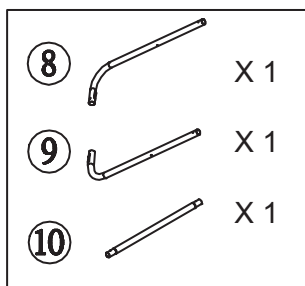


FIG. 2

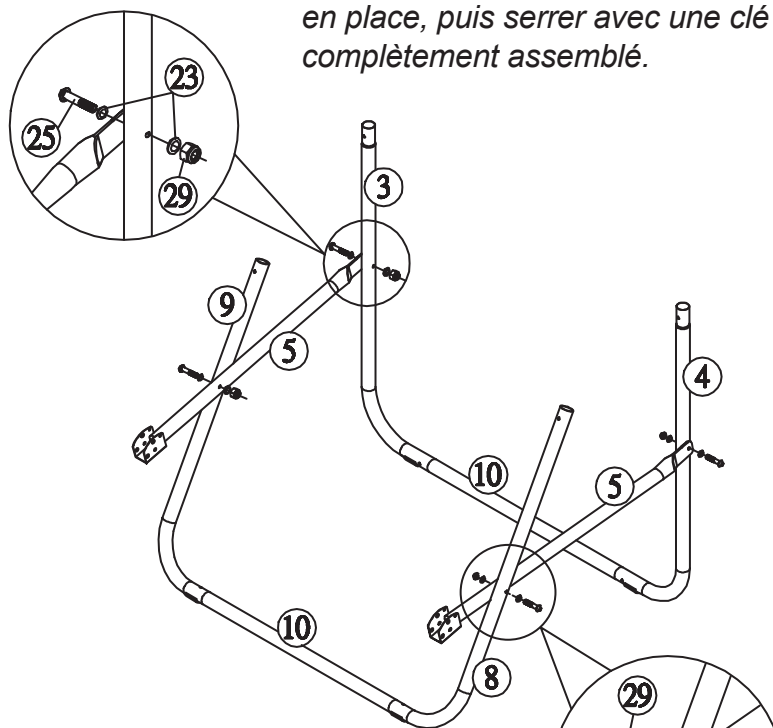


# INSTRUCTIONS D'ASSEMBLAGE (suite)

**FIG. 3**

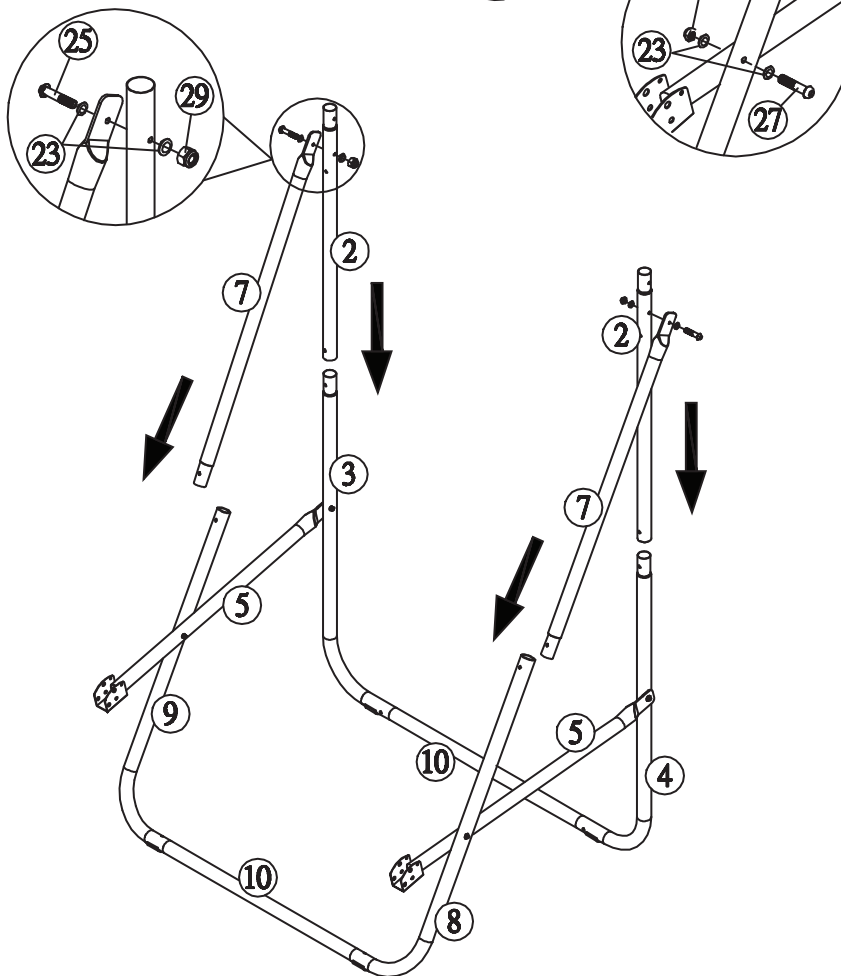
⑤		X 2
②③		X 8
②⑤		X 2
②⑦		X 2
②⑨		X 4

*REMARQUE: Serrer à la main tous les boulons en place, puis serrer avec une clé une fois complètement assemblé.*



**FIG. 4**

②		X 2
⑦		X 2
②③		X 4
②⑤		X 2
②⑨		X 2



# INSTRUCTIONS D'ASSEMBLAGE (suite)

FIG. 5

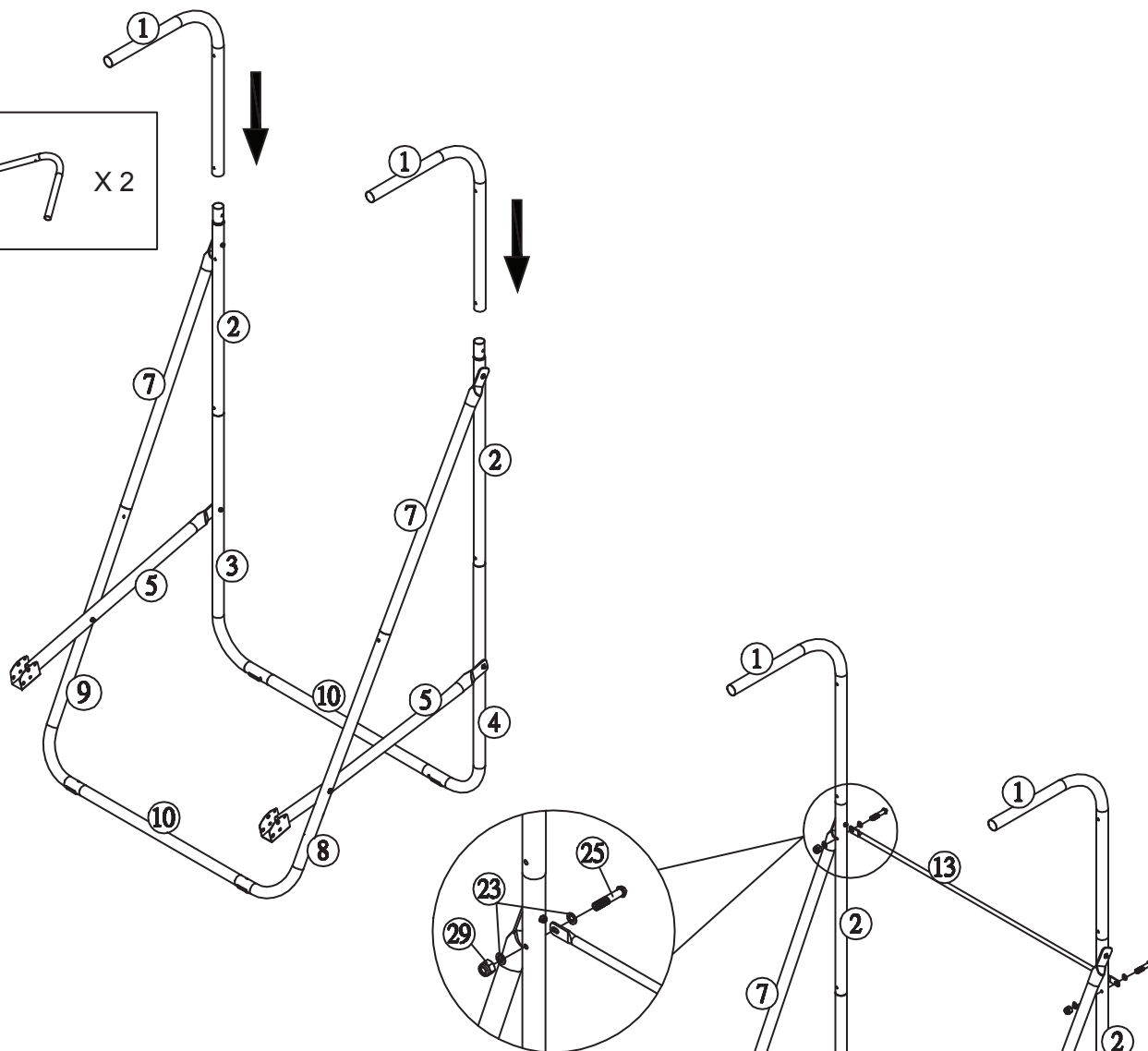
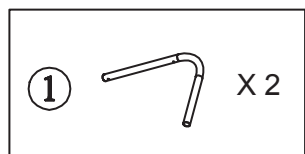
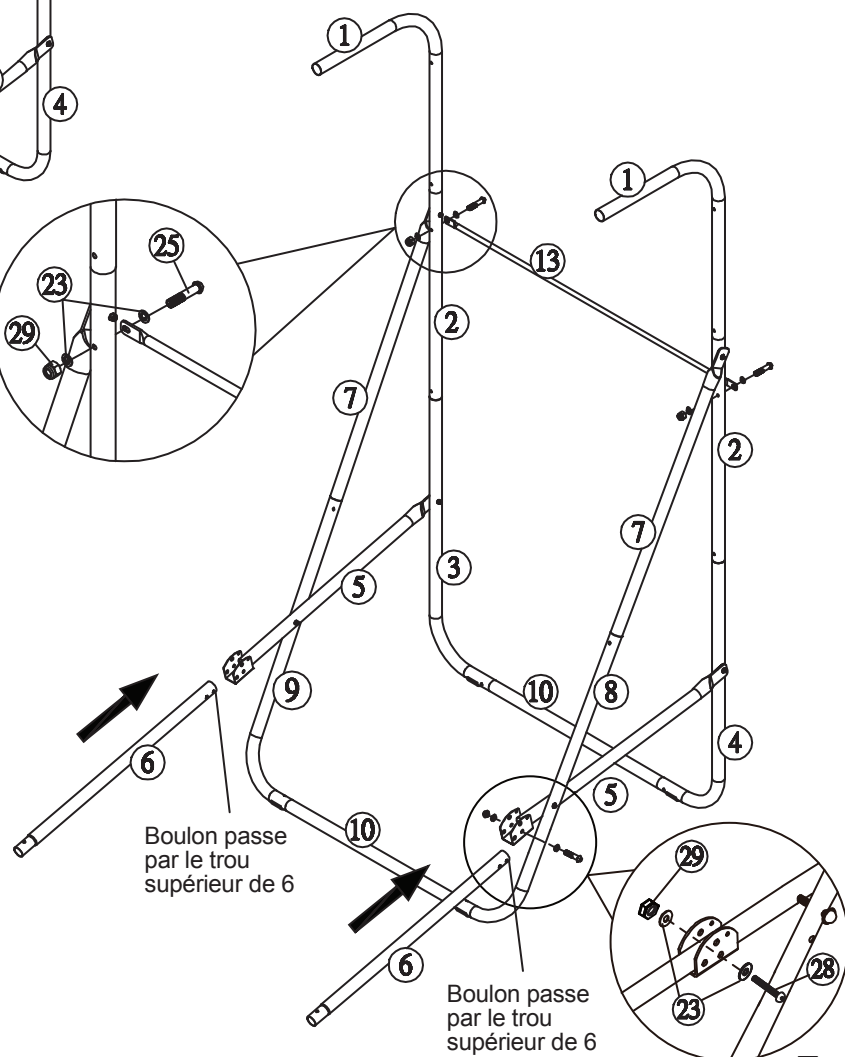
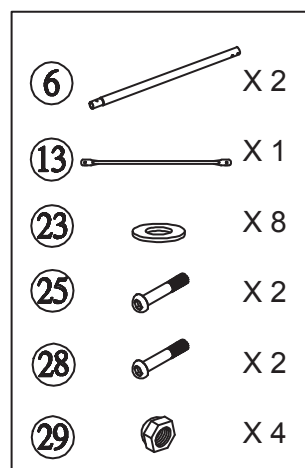
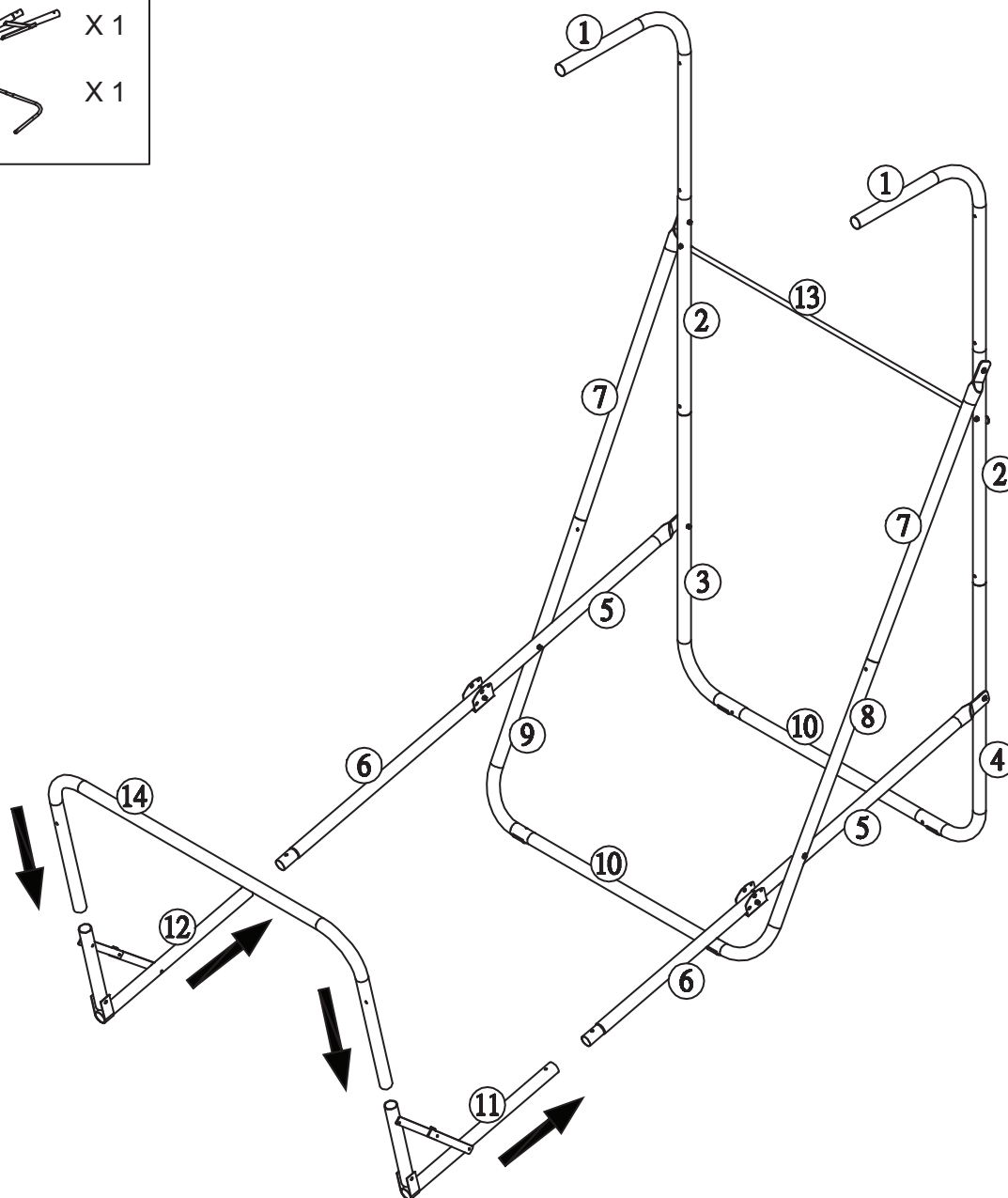
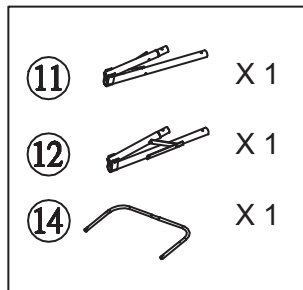


FIG. 6



# INSTRUCTIONS D'ASSEMBLAGE (suite)








FIG. 7





# INSTRUCTIONS D'ASSEMBLAGE (suite)

FIG. 8

17		X 2
19		X 2
20		X 2
22		X 1
23		X 32
24		X 16
29		X 16

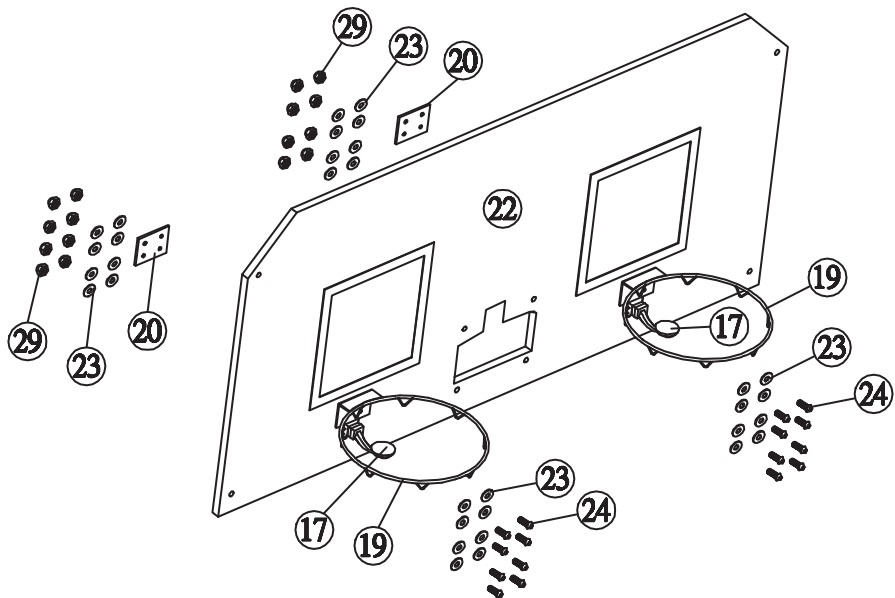



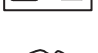
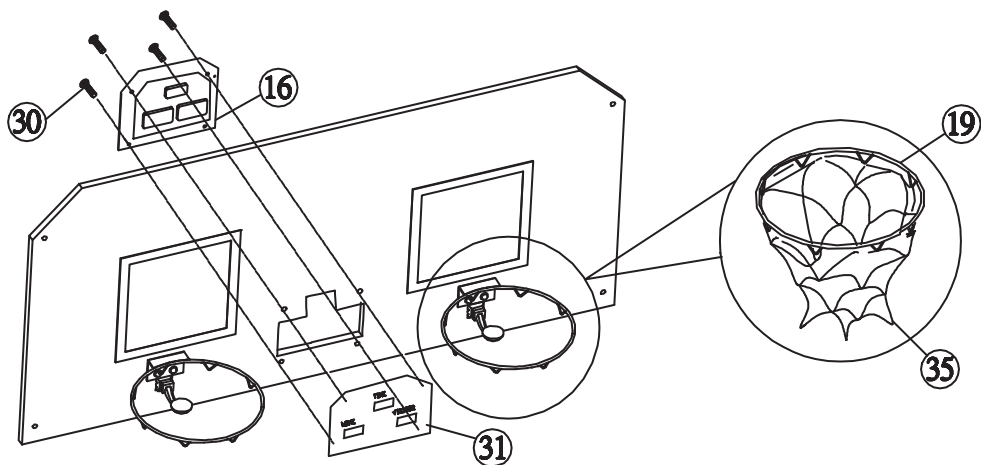


FIG. 9

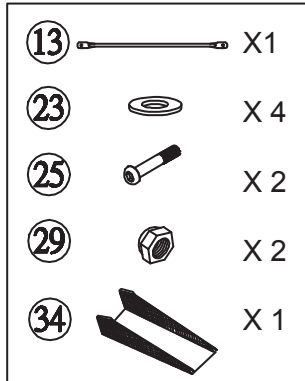
16		X 1
30		X 4
31		X 1
35		X 2

Fixation de filet, 35

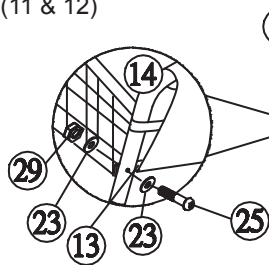


# ASSEMBLY INSTRUCTIONS (CONT.)

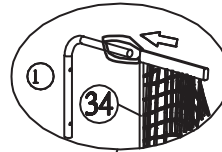
FIG. 10



1. Détachez tube u de pente (14) et faites glisser l'extrémité à travers les sangles élastiques et la poche en bas de retour de ballon (34), puis rattachez à tubes avant (11 & 12)



2. Faites tube de support (13) à l'intérieur de retour de ballon (34) et fixez-le à tube u de pente (14) à chaque extrémité en utilisant le matériel tel qu'illustré



3. Enroulez les sangles de velcro sur retour de ballon (34) autour de tube u de pente (14) des deux côtés et fixez-les à l'autre extrémité de la sangle avec Velcro

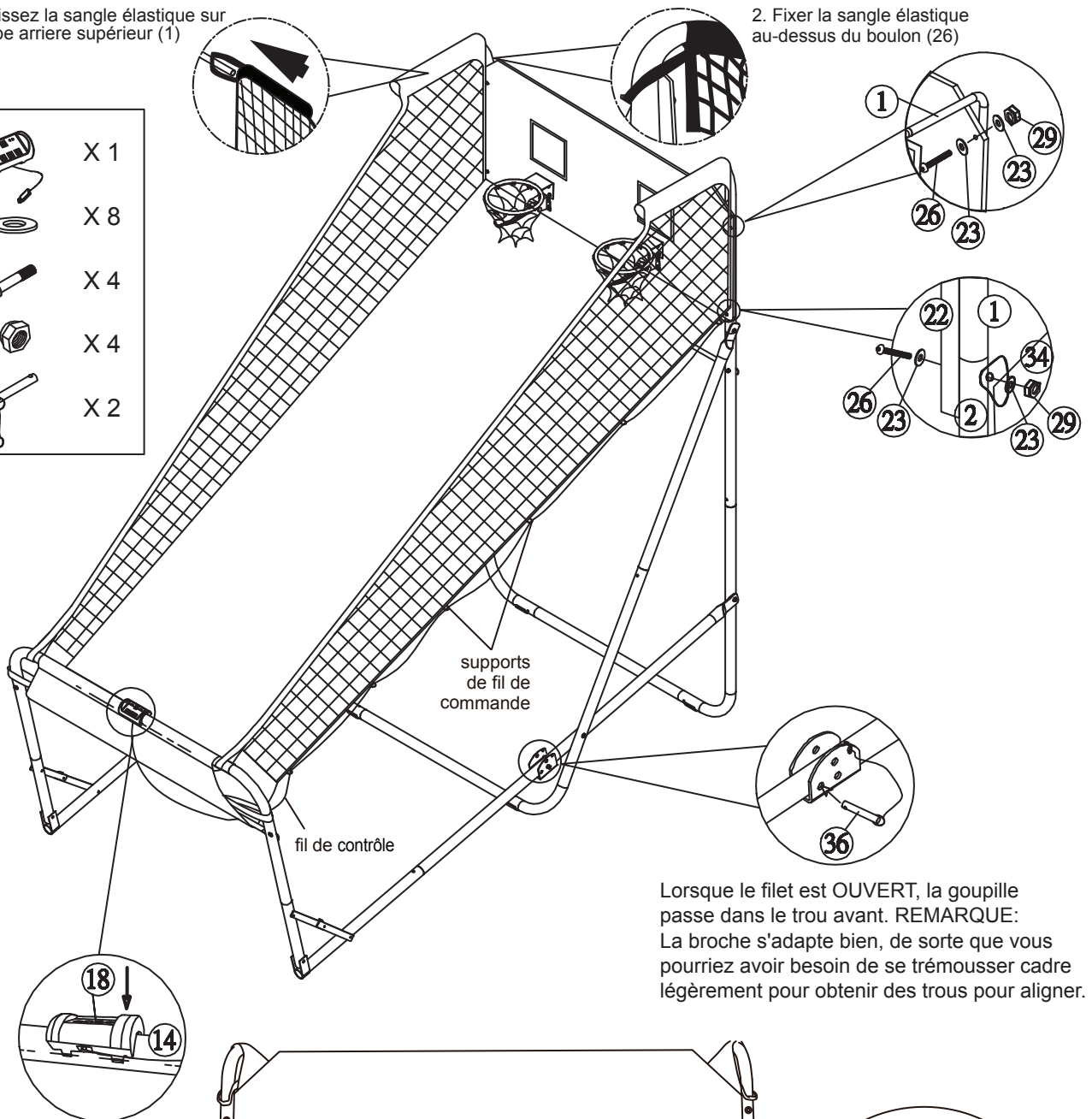
# INSTRUCTIONS D'ASSEMBLAGE (suite)

1. Glissez la sangle élastique sur la tube arriere supérieur (1)

2. Fixer la sangle élastique au-dessus du boulon (26)

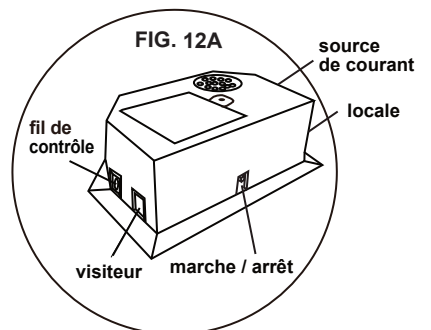
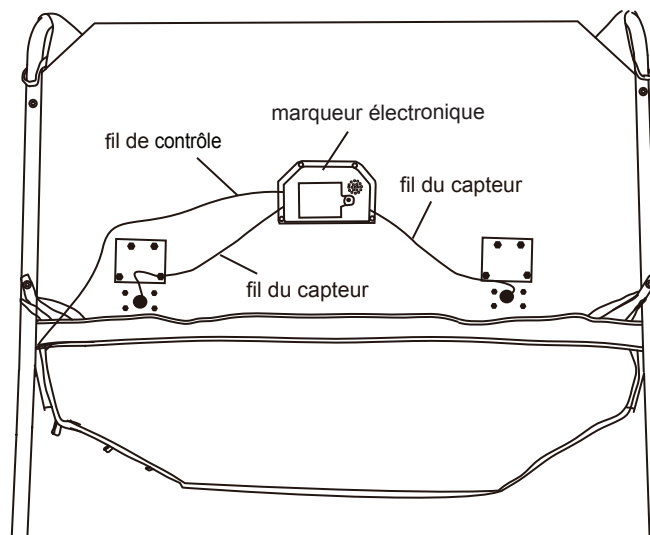
**FIG. 11**

18		X 1
23		X 8
26		X 4
29		X 4
36		X 2



Lorsque le filet est OUVERT, la goupille passe dans le trou avant. REMARQUE: La broche s'adapte bien, de sorte que vous pourriez avoir besoin de se trémousser cadre légèrement pour obtenir des trous pour aligner.

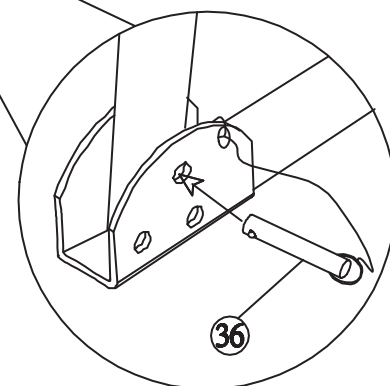
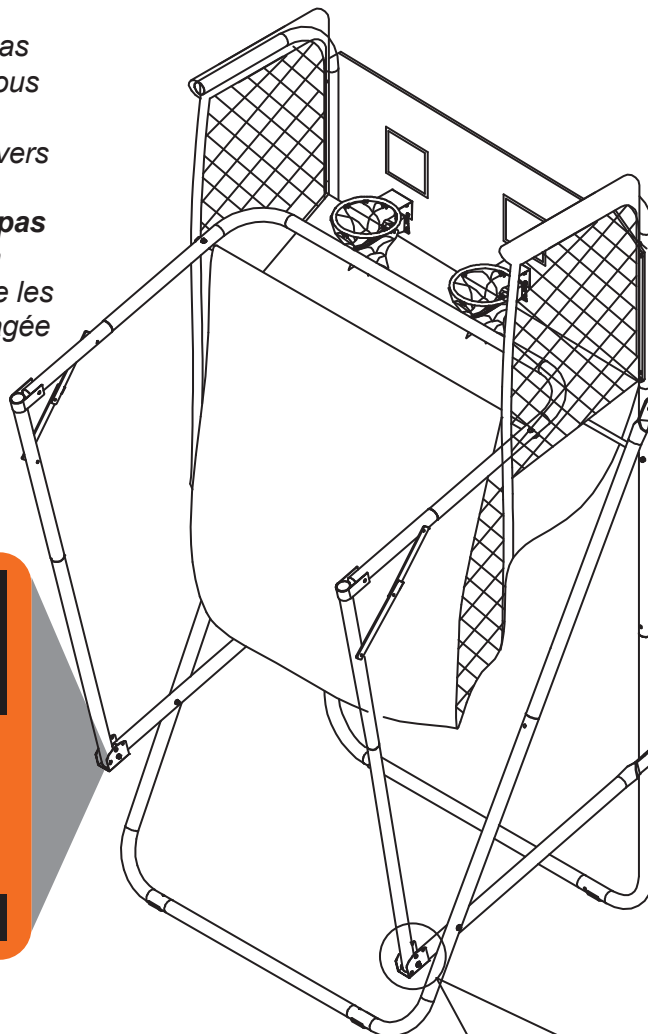
**FIG. 12**



## INSTRUCTIONS D'ASSEMBLAGE (suite)

FIG. 13

Le jeu peut être plié lorsqu'il ne sert pas à économiser de l'espace. Assurez-vous que les goupilles de verrouillage sont pleinement engagés dans le haut ou vers le bas la position. **S'il vous plaît être prudent lorsque vous faites cela à pas pincer les doigts ou la main dans la charnière.** Assurez-vous toujours que les broches de verrouillage sont désengagée avant de passer net. Ne pas le faire pourrait endommager jeu.

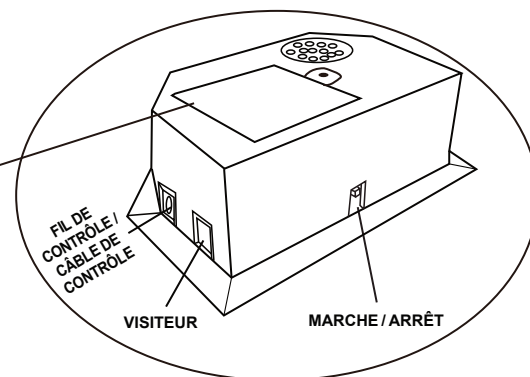
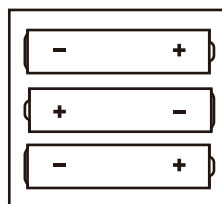


# INSTRUCTIONS D'ASSEMBLAGE (suite)

## FONCTIONNEMENT DU TABLEAU ÉLECTRONIQUE

### Installation des piles :

À l'aide d'un tournevis, dévissez le couvercle et ouvrez le réceptacle à piles. Insérez 3 piles AA (non incluses) dans l'ordre de polarité tel qu'illustré à l'intérieur du couvercle. Fermez et revissez le couvercle. Mettre en marche le dispositif.



### Rappels :

- Les piles doivent être installées aux paramètres de polarisation correcte (+ et -).
- Veuillez nettoyer les points de contact des piles et du dispositif avant d'installer les piles.
- Si vous prévoyez ne pas utiliser le jeu pendant une longue période, il est recommandé de retirer les piles avant l'entreposage.

### ⚠ AVERTISSEMENT :

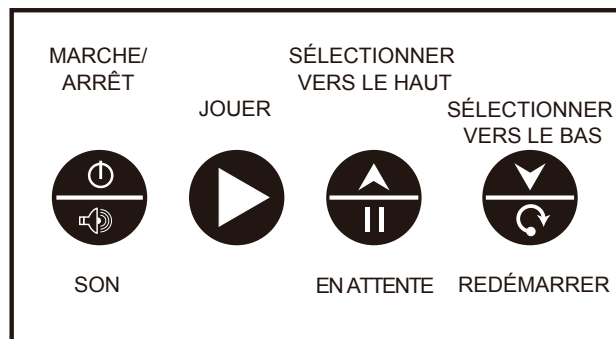
- 1) Requier 3 piles AA (non incluses).
- 2) Ne mêlez pas les vieilles piles avec les piles neuves.
- 3) Ne mêlez pas les piles alcaline, standard (zinc carbone), ou rechargeable (cadmium nickel).

## FONCTIONNEMENT DE LA BOÎTE DE CONTRÔLE

Appuyez sur le bouton Marche/Arrêt pour démarrer le marqueur. Le tableau électronique HOME affiche 01 (jeu pré-réglé à 1). Appuyez sur SELECT UP/DOWN pour sélectionner un jeu. Appuyez sur PLAY pour activer le mode de jeu sélectionné. Appuyez sur SOUND pour activer le son pendant la partie. Appuyez sur PAUSE pour interrompre ou pour activer la durée de temps de la partie. Appuyez sur le bouton Marche/Arrêt et maintenez-le enfoncé pendant 3 secondes pour éteindre le tableau électronique. Appuyez et maintenez enfoncé le bouton RESET pendant 3 secondes pour redémarrer les jeux.

**NOTE : si aucun joueur ne marque de points ou si aucun bouton n'a été appuyé pendant 15 minutes, le tableau électronique s'éteint automatiquement.**

### PANNEAU DE CONTRÔLE



# Choisissez parmi 8 sortes de jeux différents

## 1. Contre la montre

Appuyez sur « Play » pour commencer le jeu 1.

Appuyez sur « Up/Down » pour établir le nombre de joueurs (P1, P2, P3, P4).

Appuyez sur « Play » pour confirmer le nombre de joueurs.

Appuyez sur « Up/Down » pour établir la durée de la partie, 30, 45 ou 60 secondes.

Appuyez sur « Play » pour commencer la partie.

Le score des joueurs 1 et 3 est indiqué au tableau « Home »

Le score des joueurs 2 et 4 est indiqué au tableau « Visitor »

Un lancer vaut deux points et durant les 10 dernières secondes, il vaut trois points. Quand un joueur a terminé, l'autre joueur doit attendre cinq secondes avant de lancer le ballon.

Le joueur avec le plus grand nombre de points remporte la partie. Un signal lumineux indique le score gagnant.

Appuyez sur « Play » pour commencer une autre partie.

## 2. Contre la montre à 3 points

Appuyez sur « Play » pour commencer le jeu 2.

Appuyez sur « Up/Down » pour établir le nombre de joueurs (P1, P2, P3, P4).

Appuyez sur « Play » pour confirmer le nombre de joueurs.

Appuyez sur « Up/Down » pour établir la durée de la partie, 30, 45 ou 60 secondes.

Appuyez sur « Play » pour commencer la partie.

Le score des joueurs 1 et 3 est indiqué au tableau « Home »

Le score des joueurs 2 et 4 est indiqué au tableau « Visitor »

Chaque lancer vaut trois points. Quand un joueur a terminé de jouer, l'autre joueur doit attendre cinq secondes avant qu'un autre joueur lance le ballon. Le joueur avec le plus grand nombre de points remporte la partie. Un signal lumineux indique le score gagnant.

Appuyez sur « Play » pour commencer une nouvelle partie.

## 3. Gagner la bataille

Appuyez sur « Play » pour commencer le jeu 3.

Appuyez sur « Up/Down » pour établir le nombre de joueurs (P2, P4).

Appuyez sur « Play » pour commencer la partie.

À chaque lancer dans le panier « Home », +2 points au tableau « Home » et -2 points au tableau « Visitor ».

À chaque lancer dans le panier « Visitor », +2 points au tableau « Visitor » et -2 points au tableau « Home ».

Le joueur qui accumule 10 points remporte le match et la partie est terminée.

Appuyez sur « Play » pour commencer une nouvelle partie.

## 4. H-O-R-S-E

Appuyez sur « Play » pour commencer le jeu 4.

Appuyez sur « Up/Down » pour établir le nombre de joueurs (P2, P3, P4).

Appuyez sur « Play » pour confirmer le nombre de joueurs.

Chaque joueur dispose de deux secondes pour marquer.

Le premier joueur lance le ballon, soit dans le panier « Home » ou « Visitor ». Si le joueur marque en deux secondes, aucune lettre n'est affichée. La partie continue pour l'autre joueur. Le tableau affiche « next player P2. P3, P4 »; le voyant lumineux clignote deux fois en une seconde. Pour marquer, le joueur doit lancer le ballon dans le même panier que le joueur précédent.

Si le joueur ne marque pas dans les deux secondes réglementaires, la lettre H est affichée au tableau. Le joueur continue de jouer jusqu'à ce qu'il marque un point. Autrement, la lettre O s'affiche suivie des lettres R, S et E. Dès que la lettre E s'affiche, le joueur est éliminé.

Le premier qui accumule les lettres H-O-R-S-E perd la partie. Le dernier joueur à accumuler toutes les lettres gagne la partie.

Appuyez sur « Play » pour commencer une nouvelle partie.

## 5. Poste de contrôle

Appuyez sur « Play » pour commencer le jeu 5.

Appuyez sur « Up/Down » pour établir le nombre de joueurs (P1, P2, P3, P4).

Appuyez sur « Play » pour confirmer le nombre de joueurs.

Le tableau « Home » affiche « le joueur » et le tableau « Visitor » affiche "24" points, programmez 40 secondes de temps de jeu.

Les points marqués sont inscrits au tableau d'affichage « Home ».

Avant la fin du temps limite, dès qu'un score de 24, de 52, de 68 et de 86 s'inscrit au pointage, le temps de jeu augmente de 10 à 20 secondes et de 10 à 20 secondes respectivement.

Quand un joueur a fini de jouer, l'autre joueur doit attendre cinq secondes avant de lancer son ballon.

Le joueur avec le plus grand nombre de points remporte la partie. Un signal lumineux indique le score gagnant.

La partie prend fin dès qu'un joueur marque 98 points.

Appuyez sur « Play » pour commencer une autre partie.

## 6. Autour du monde

Utilisez du ruban adhésif pour marquer les lignes de tir.

Appuyez sur « Play » pour commencer le jeu 6.

Appuyez sur « Up/Down » pour établir le nombre de joueurs (P1, P2, P3, P4).

Appuyez sur « Play » pour confirmer le nombre de joueurs.

# Choisissez parmi 8 sortes de jeux différents

Le tableau « Home » affiche les joueurs 1, 2, 3, et 4, le tableau « Visitor » affiche les points marqués.

Dès que le pointage atteint 10 points ou que la durée atteint 99 secondes, quand un joueur a fini de jouer, l'autre joueur doit attendre cinq secondes avant de lancer le ballon.

Le joueur qui termine le premier remporte la partie.  
Un signal lumineux indique le gagnant.

Appuyez sur « Play » pour commencer une nouvelle partie.

## 7. Panier gauche et panier droit

Appuyez sur « Play » pour commencer le jeu 7.

Appuyez sur « Up/Down » pour établir le nombre de joueurs (P1, P2, P3, P4).

Appuyez sur « Play » pour confirmer le nombre de joueurs.

Appuyez sur « Up/Down » pour établir la durée de la partie, 30, 45 ou 60 secondes.

Appuyez sur « Play » pour commencer la partie.

Le tableau « Home » affiche le joueur et le tableau « Visitor » affiche les points marqués.

Marquez dans le tableau « Home » lorsque la lumière au-dessus clignote, deux points sont alors affichés au tableau « Home ».

Marquez dans le tableau « Visitor » lorsque la lumière au-dessus clignote, deux points sont alors affichés au tableau « Visitor ».

Quand un joueur a terminé de jouer, l'autre joueur doit attendre cinq secondes avant de lancer le ballon.

Le joueur avec le plus grand nombre de points remporte la partie.  
Un signal lumineux indique le joueur avec le plus haut pointage.

Appuyez sur « Play » pour commencer une autre partie.

## 8. Un sur Un

Appuyez sur « Play » pour commencer le jeu 8.

Appuyez sur « Up/Down » pour établir le nombre de joueurs (P1, P2, P3, P4).

Appuyez sur « Play » pour confirmer le nombre de joueurs.

Appuyez sur « Up/Down » pour établir la durée de la partie, 30, 45 ou 60 secondes.

Appuyez sur « Play » pour commencer la partie.

Le tableau d'affichage « Home » affiche les Joueurs 1 et 3, le tableau d'affichage « Visitor » affiche les Joueurs 2 et 4.

Un lancer vaut deux points et durant les 10 dernières secondes, il vaut trois points. Quand un joueur a terminé, l'autre joueur doit attendre cinq secondes avant de lancer le ballon.

Le joueur avec le plus grand nombre de points remporte la partie. Un signal lumineux indique le joueur avec le plus haut pointage.

Appuyez sur « Play » pour commencer une autre partie.

# GARANTIE LIMITÉE DE 180 JOURS

La garantie du produit est valide pour l'acheteur original en ce qui a trait aux pièces défectueuses ou à la main-d'œuvre pour une période de 180 jours de la date d'achat.

Cette garantie n'est couverte pas les dommages causés par accident, par modification, par une installation défectueuse ou tout autre événement hors du contrôle du fabricant. Tout défaut ou dommage résultant de la négligence ou d'une mauvaise utilisation annule cette garantie. La présente garantie ne couvre pas les égratignures ou les dommages attribuables à un usage normal.

Ce produit n'est pas destiné à un usage institutionnel ou commercial; le fabricant décline toute responsabilité pour une telle utilisation. Un usage institutionnel ou commercial annule cette garantie.

Cette garantie est non transférable et est expressément limitée à la réparation ou au remplacement du produit défectueux. Au cours de la période de garantie, le fabricant s'engage à remplacer et à réparer les pièces défectueuses sans frais pour l'acheteur. Les frais d'assurance et d'expédition ne sont pas couverts et sont à la charge de l'acheteur. Les frais de main-d'œuvre et les dépenses liées au déplacement, à l'installation ou au remplacement du produit ou de ses composantes ne sont pas couverts par cette garantie.

Le fabricant se réserve le droit de faire des substitutions de recours en garantie si la pièce n'est pas disponible ou obsolète.

Le fabricant décline toute responsabilité liée à la perte d'utilisation ainsi que tous les autres coûts directs ou indirects, frais ou dommages encourus par le consommateur qui aurait été causés par une autre utilisation. L'utilisateur assume tous les risques de dommage résultant de l'utilisation de ce produit.

Cette garantie tient lieu expressément de toute autre garantie, exprimée ou implicite, y compris les garanties de qualité marchande ou d'adaptation à un emploi particulier dans la mesure permise par les lois fédérales ou provinciales. Ni le fabricant, ni aucun de ses représentants n'assument aucune autre responsabilité en rapport avec ce produit.

**Toute réclamation doit être faite par le détaillant où le produit a été acheté. Une facture ou autre preuve d'achat est nécessaire pour traiter toutes les réclamations de garantie. Le numéro de modèle et les numéros de référence figurant dans les instructions d'assemblage seront exigés lors de la soumission de demande de pièces ou de recours en garantie.**

**Pour plus d'information ou pour toute question, veuillez téléphoner au 1 800 759-0977.**