



HUNTING

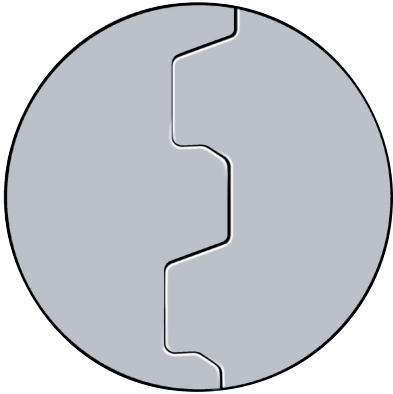
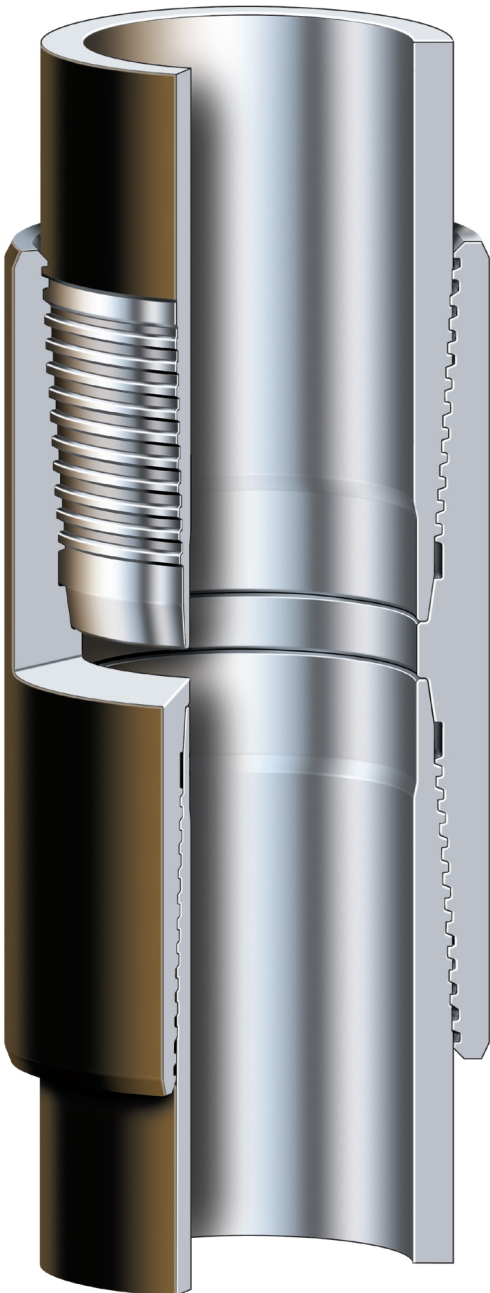
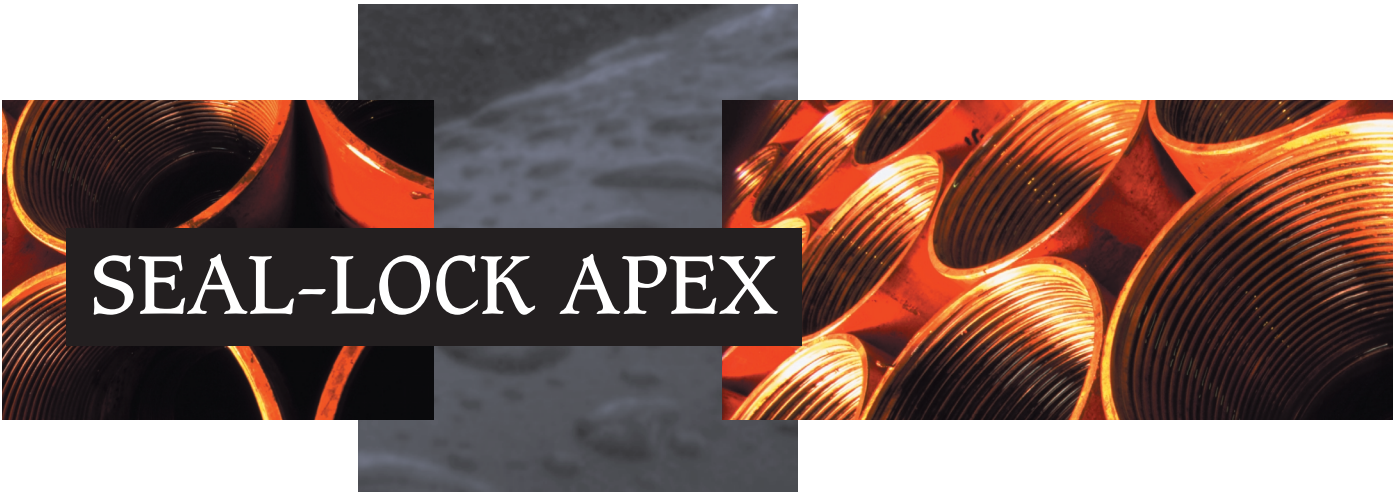
Technology That Runs Deep



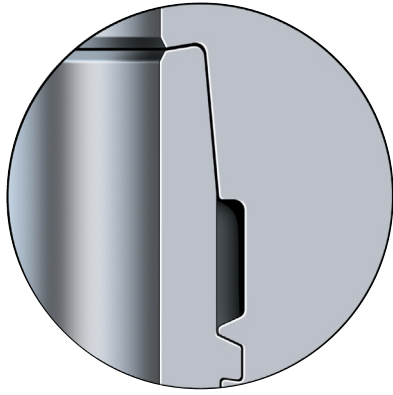
Specialty Casing Connections

SEAL-LOCK<sup>®</sup> APEX

*All Pressure Environments*



*Hooked thread design*



*Internal torque shoulder,  
metal-to-metal seal and  
lubricant relief groove*

# SEAL-LOCK APEX

## Designed for Critical Service

The unique combination of a metal-to-metal seal and a close-tolerance thread-seal provides pressure integrity for both internal and external pressure in moderate to heavy wall tubular applications.

## Extensive Combined-Load Testing

Exhaustive testing has produced reliable results on a variety of load combinations. These include tension and compression with internal and external pressure, thermal cycling with pressure, tension to failure, compression to failure, and internal and external pressure to failure. This testing has verified the design to be structurally sound even under the most extreme load conditions.

## Relief Groove Design

A special relief groove is machined in the coupling to eliminate problems associated with hydraulic dope

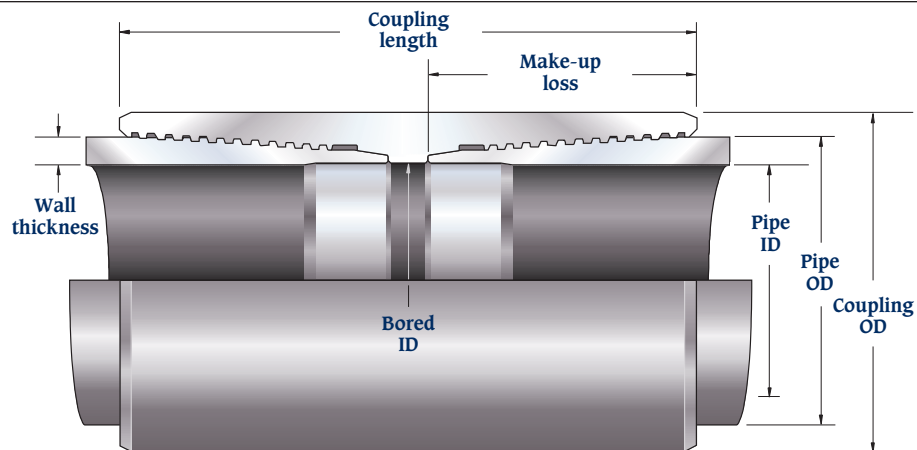
entrapment. Trapped lubricant is minimized allowing the flank metal-to-metal seal to generate sufficient contact loads to remain leaktight at pressures exceeding pipe body burst.

## Trapped Torque Shoulder

Positive torque shoulder stop improves compressive, torsional and leak resistance. The inside diameter of pin is profiled to match the J area of the coupling. This provides a smooth bore through the connection.

## Hooked Thread Design

A rugged hooked threadform provides excellent resistance against tensile loads, bending moments and external pressures under a variety of load combinations. The thread element geometry provides for easy stabbing, minimizing the chance of cross-threading while maximizing the chance of a quick, trouble-free run.



*APEX details: patented negative load flank threadform; threadform roots and crests parallel to pipe body axis; internal trapped torque shoulder; conical, metal-to-metal seal; reliable thread seal for external pressure combining a patented thread geometry, tight pin/box interface tolerances and sufficient thread interference to withstand pipe body collapse ratings; hydraulic dope pressure entrapment controlled with a lubricant reservoir in runout areas.*



# SEAL-LOCK APEX CONNECTION DATA

SIZE	Pipe					Connection						Torque (Ft-Lb)							
	NOMINAL WEIGHT	PLAIN END WEIGHT	WALL THICKNESS	INSIDE DIAMETER	API DRIFT DIAMETER	THREADS PER INCH	COUPLING SECTION AREA	MAKE-UP LOSS	COUPLING LENGTH	STANDARD COUPLING OD	MATCHED STRENGTH COUPLING OD**	N/L-80		C-90/95		P-110		Q-125	
	IN. LB/FT	LB/FT	IN.	IN.	IN.		SQ. IN.	IN.	IN.	IN.	IN.	MIN	MAX	MIN	MAX	MIN	MAX	MIN	MAX
4½	12.60	12.24	0.271	3.958	3.833	5	6.266	4.007	9.500	5.250	4.878	3,400	4,500	3,400	4,500	3,500	4,600	3,700	4,800
	13.50	13.04	0.290	3.920	3.795	5	6.266	4.007	9.500	5.250	4.908	3,800	5,000	3,800	5,000	3,900	5,100	4,200	5,400
	15.10	14.98	0.337	3.826	3.701	5	6.266	4.007	9.500	5.250	4.982	4,200	5,500	4,200	5,600	4,300	5,700	4,600	5,900
	16.60	16.44	0.373	3.754	3.629	5	6.266	4.007	9.500	5.250	5.037	4,800	6,200	4,900	6,300	5,000	6,400	5,300	6,700
	18.80	18.69	0.430	3.640	3.515	5	6.266	4.007	9.500	5.250	5.120	5,600	7,200	5,800	7,400	5,900	7,500	6,300	7,900
	21.40	21.36	0.500	3.500	3.375	5	6.266	4.007	9.500	5.250	5.217	6,600	8,400	6,800	8,500	6,900	8,700	7,500	9,300
5	15.00	14.87	0.296	4.408	4.283	5	6.929	4.007	9.500	5.750	5.422	4,500	5,700	4,600	5,800	4,700	5,900	5,100	6,300
	18.00	17.93	0.362	4.276	4.151	5	6.929	4.007	9.500	5.750	5.527	5,400	6,800	5,500	6,900	5,600	7,000	6,000	7,400
	20.30	20.01	0.408	4.184	4.059	5	6.929	4.007	9.500	5.750	5.597	6,200	7,800	6,300	7,900	6,500	8,100	7,000	8,600
	21.40	21.30	0.437	4.126	4.001	5	6.929	4.007	9.500	5.750	5.640	6,700	8,400	6,900	8,500	7,000	8,700	7,600	9,300
	23.20	23.08	0.478	4.044	3.919	5	6.929	4.007	9.500	5.750	5.700	7,400	9,100	7,500	9,300	7,700	9,500	8,400	10,100
	24.10	24.03	0.500	4.000	3.875	5	6.929	4.007	9.500	5.750	5.731	7,700	9,500	7,900	9,600	8,100	9,900	8,800	10,600
5½	15.50	15.35	0.275	4.950	4.825	5	5.677	4.007	9.500	6.050	5.890	4,300	5,400	4,400	5,500	4,500	5,600	4,900	5,900
	17.00	16.87	0.304	4.892	4.767	5	5.677	4.007	9.500	6.050	5.939	5,100	6,200	5,200	6,400	5,400	6,500	5,800	7,000
	20.00	19.81	0.361	4.778	4.653	5	5.677	4.007	9.500	6.050	6.031	6,500	7,800	6,700	8,000	6,900	8,200	7,600	8,900
	23.00	22.54	0.415	4.670	4.545	5	5.677	5.207	11.900	6.250	6.031	6,100	7,600	6,100	7,700	6,300	7,800	6,700	8,200
	26.00	25.54	0.476	4.548	4.423	5	5.677	5.207	11.900	6.250	6.124	7,300	9,100	7,400	9,200	7,600	9,300	8,100	9,900
	26.80	26.70	0.500	4.500	4.375	5	5.677	5.207	11.900	6.250	6.159	7,800	9,600	7,900	9,700	8,100	9,900	8,700	10,500
	28.40	28.13	0.530	4.440	4.315	5	5.677	5.207	11.900	6.250	6.203	8,400	10,300	8,500	10,400	8,700	10,600	9,400	11,300
	29.70	29.64	0.562	4.376	4.251	5	5.677	5.207	11.900	6.250	6.248	9,000	11,000	9,200	11,200	9,400	11,400	10,200	12,200
	6¾	28.00	27.65	0.417	5.791	5.666	4	11.833	5.430	12.000	7.500	7.142	6,400	7,900	6,500	8,100	6,700	8,300	7,400
32.00		31.20	0.475	5.675	5.550	4	11.833	5.430	12.000	7.500	7.235	7,100	8,800	7,200	9,000	7,400	9,200	8,100	9,900
33.00		32.71	0.500	5.625	5.500	4	11.833	5.430	12.000	7.500	7.274	7,500	9,400	7,700	9,500	8,000	9,800	8,700	10,600
34.50		34.20	0.525	5.575	5.450	4	11.833	5.430	12.000	7.500	7.312	8,200	10,100	8,400	10,300	8,700	10,600	9,600	11,500
36.70		36.39	0.562	5.501	5.376	4	11.833	5.430	12.000	7.500	7.368	9,100	11,100	9,300	11,400	9,700	11,700	10,700	12,700
40.20		40.05	0.625	5.375	5.250	4	11.833	5.430	12.000	7.500	7.461	10,100	12,200	10,300	12,500	10,700	12,900	11,900	14,000
43.70		43.57	0.687	5.251	5.126	4	11.833	5.430	12.000	7.500	7.549	11,200	13,500	11,500	13,800	11,900	14,300	13,300	15,600
47.10		47.06	0.750	5.125	5.000	4	11.833	5.430	12.000	7.500	7.635	12,300	14,800	12,700	15,100	13,200	15,600	14,700	17,100
65.80		66.08	1.125	4.375	4.250	4	11.833	5.430	12.000	7.500	8.089	16,400	19,300	16,800	19,800	17,500	20,500	19,700	22,600
7		23.00	22.63	0.317	6.366	6.241	5	8.433	4.007	9.500	7.656	7.471	7,200	8,400	7,400	8,600	7,700	8,900	8,500
	26.00	25.66	0.362	6.276	6.151	5	8.433	4.007	9.500	7.656	7.547	7,700	9,100	7,900	9,300	8,200	9,500	9,100	10,400
	29.00	28.72	0.408	6.184	6.125*	5	8.433	4.007	9.500	7.656	7.622	9,100	10,600	9,400	10,900	9,700	11,200	10,900	12,400
	32.00	31.67	0.453	6.094	6.000*	4	14.045	5.430	12.000	8.000	7.576	8,800	10,500	9,000	10,700	9,300	11,000	10,300	12,000
	35.00	34.58	0.498	6.004	5.879	4	14.045	5.430	12.000	8.000	7.648	8,800	10,700	9,000	10,900	9,200	11,100	10,100	12,000
	38.00	37.26	0.540	5.920	5.795	4	14.045	5.430	12.000	8.000	7.713	9,900	11,900	10,100	12,200	10,500	12,500	11,500	13,600
	41.00	40.39	0.590	5.820	5.695	4	14.045	5.430	12.000	8.000	7.789	11,200	13,400	11,400	13,600	11,800	14,000	13,100	15,300
	42.70	42.55	0.625	5.750	5.625	4	14.045	5.430	12.000	8.000	7.841	12,000	14,300	12,300	14,600	12,700	15,000	14,100	16,400
	44.00	43.47	0.640	5.720	5.595	4	14.045	5.430	12.000	8.000	7.863	12,400	14,700	12,700	15,000	13,100	15,400	14,500	16,900
	46.40	46.32	0.687	5.626	5.501	4	14.045	5.430	12.000	8.000	7.931	13,400	15,800	13,700	16,200	14,200	16,700	15,800	18,300
	49.50	48.88	0.730	5.540	5.415	4	14.045	5.430	12.000	8.000	7.991	14,300	16,800	14,700	17,200	15,200	17,700	17,000	19,500
	50.10	50.06	0.750	5.500	5.375	4	14.045	5.430	12.000	8.000	8.019	14,700	17,300	15,100	17,700	15,600	18,200	17,400	20,000
	7¾	26.40	25.56	0.328	6.969	6.844	5	12.054	4.007	9.500	8.500	8.116	7,700	9,100	7,900	9,300	8,100	9,500	8,800
29.70		29.04	0.375	6.875	6.750	5	12.054	4.007	9.500	8.500	8.196	9,500	11,100	9,700	11,300	10,000	11,600	11,000	12,600
33.70		33.04	0.430	6.765	6.640	5	12.054	4.007	9.500	8.500	8.287	12,000	13,700	12,300	14,000	12,700	14,500	14,200	15,900
39.00		38.05	0.500	6.625	6.500	4	16.960	5.430	12.000	8.750	8.282	12,500	14,400	12,800	14,800	13,200	15,200	14,800	16,800
42.80		42.39	0.562	6.501	6.376	4	16.960	5.430	12.000	8.750	8.380	12,400	14,600	12,700	14,900	13,100	15,300	14,400	16,600
45.30		44.67	0.595	6.435	6.310	4	16.960	5.430	12.000	8.750	8.431	13,300	15,600	13,600	15,900	14,100	16,400	15,600	17,900
47.10		46.73	0.625	6.375	6.250	4	16.960	5.430	12.000	8.750	8.476	14,600	17,000	15,000	17,400	15,500	17,900	17,200	19,600
51.20		50.91	0.687	6.251	6.126	4	16.960	5.430	12.000	8.750	8.568	16,400	19,000	16,900	19,400	17,500	20,100	19,500	22,100
52.80		52.57	0.712	6.201	6.076	4	16.960	5.430	12.000	8.750	8.605	17,100	19,700	17,600	20,200	18,200	20,800	20,400	23,000
55.30		55.07	0.750	6.125	6.000	4	16.960	5.430	12.000	8.750	8.659	18,000	20,700	18,500	21,200	19,200	21,900	21,500	24,200
59.10		58.31	0.800	6.025	5.900	4	16.960	5.430	12.000	8.750	8.729	18,800	21,200	18,800	21,700	19,500	22,400	21,800	24,700
59.20		59.08	0.812	6.001	5.876	4	16.960	5.430	12.000	8.750	8.746	18,400	21,300	18,900	21,800	19,600	22,500	21,900	24,800
66.90		66.93	0.937	5.751	5.626	4	16.960	5.430	12.000	8.750	8.912	19,200	22,200	19,700	22,700	20,400	23,400	22,700	25,700
7¾	46.10	45.47	0.595	6.560	6.500*	4	13.471	5.430	12.000	8.600	8.557	13,700	15,800	14,100	16,100	14,600	16,700	16,300	18,400

# SEAL-LOCK APEX CONNECTION DATA (Continued)

SIZE	Pipe					Connection						Torque (Ft-Lb)							
	NOMINAL WEIGHT	PLAIN END WEIGHT	WALL THICKNESS	INSIDE DIAMETER	API DRIFT DIAMETER	THREADS PER INCH	COUPLING SECTION AREA	MAKE-UP LOSS	COUPLING LENGTH	STANDARD COUPLING OD	MATCHED STRENGTH COUPLING OD**	N/L-80		C-90/95		P-110		Q-125	
	IN.	LB/FT	IN.	IN.	IN.		SQ. IN.	IN.	IN.	IN.	IN.	MIN	MAX	MIN	MAX	MIN	MAX	MIN	MAX
8 5/8	40.00	39.29	0.450	7.725	7.625*	4	17.180	5.430	12.000	9.625	9.208	11,700	13,500	12,100	13,800	12,500	14,300	14,000	15,800
	44.00	43.39	0.500	7.625	7.500	4	17.180	5.430	12.000	9.625	9.291	14,400	16,300	14,800	16,700	15,400	17,300	17,400	19,300
	49.00	47.99	0.557	7.511	7.386	4	17.180	5.430	12.000	9.625	9.383	14,400	16,500	14,800	16,900	15,400	17,500	17,300	19,400
	52.00	51.03	0.595	7.435	7.310	4	17.180	5.430	12.000	9.625	9.444	15,800	18,000	16,200	18,400	16,900	19,100	19,000	21,200
	54.00	53.40	0.625	7.375	7.250	4	17.180	5.430	12.000	9.625	9.491	16,800	19,100	17,300	19,600	18,000	20,300	20,300	22,600
	58.70	58.24	0.687	7.251	7.126	4	17.180	5.430	12.000	9.625	9.586	17,200	19,700	17,700	20,200	18,400	20,900	20,700	23,200
	63.50	63.08	0.750	7.125	7.000	4	17.180	5.430	12.000	9.625	9.680	17,700	20,300	18,200	20,800	18,900	21,500	21,200	23,800
	72.70	72.42	0.875	6.875	6.750	4	17.180	5.430	12.000	9.625	9.860	18,400	21,200	18,900	21,700	19,600	22,400	21,900	24,700
9 5/8	36.00	34.86	0.352	8.921	8.765	5	17.173	4.007	9.500	10.625	10.165	15,800	17,400	16,300	17,900	17,000	18,600	19,300	20,900
	40.00	38.94	0.395	8.835	8.750*	5	17.173	4.007	9.500	10.625	10.240	16,400	18,100	16,900	18,600	17,600	19,300	19,900	21,600
	43.50	42.69	0.435	8.755	8.599	5	17.173	4.007	9.500	10.625	10.308	16,900	18,800	17,400	19,300	18,100	20,000	20,400	22,300
	47.00	46.14	0.472	8.681	8.525	4	19.097	5.430	12.000	10.625	10.252	15,000	16,800	15,400	17,300	16,100	17,900	18,300	20,200
	53.50	52.85	0.545	8.535	8.500*	4	19.097	5.430	12.000	10.625	10.374	15,900	17,900	16,300	18,400	17,000	19,100	19,300	21,400
	58.40	57.38	0.595	8.435	8.375*	4	19.097	5.430	12.000	10.625	10.456	16,500	18,700	17,000	19,200	17,700	19,900	20,000	22,200
	64.90	64.26	0.672	8.281	8.125	4	19.097	5.430	12.000	10.625	10.578	17,100	19,600	17,600	20,100	18,300	20,800	20,600	23,100
	68.00	66.72	0.700	8.225	8.069	4	19.097	5.430	12.000	10.625	10.622	17,300	19,800	17,800	20,300	18,500	21,000	20,800	23,300
	70.30	69.70	0.734	8.157	8.001	4	19.097	5.430	12.000	10.625	10.674	17,600	20,100	18,100	20,600	18,800	21,300	21,100	23,600
	71.60	71.09	0.750	8.125	7.969	4	19.097	5.430	12.000	10.625	10.699	17,700	20,300	18,200	20,800	18,900	21,500	21,200	23,800
9 3/4	59.20	58.18	0.595	8.560	8.500*	4	17.248	5.430	12.000	10.625	10.581	16,200	18,300	16,700	18,800	17,400	19,500	19,700	21,800
9 7/8	62.80	61.74	0.625	8.625	8.500*	4	17.463	5.430	12.000	10.750	10.757	16,500	18,700	17,000	19,200	17,700	19,900	20,000	22,200
10 3/4	51.00	49.50	0.450	9.850	9.694	4	21.286	5.430	12.000	11.750	11.342	15,700	17,400	16,200	17,900	16,900	18,600	19,200	20,900
	55.50	54.21	0.495	9.760	9.625*	4	21.286	5.430	12.000	11.750	11.420	16,200	18,100	16,700	18,600	17,400	19,300	19,700	21,600
	60.70	59.40	0.545	9.660	9.504	4	21.286	5.430	12.000	11.750	11.505	16,800	18,900	17,300	19,400	18,000	20,100	20,300	22,400
	65.70	64.53	0.595	9.560	9.500*	4	21.286	5.430	12.000	11.750	11.588	17,300	19,500	17,800	20,000	18,500	20,700	20,800	23,000
	71.10	70.11	0.650	9.450	9.294	4	21.286	5.430	12.000	11.750	11.678	17,800	20,200	18,300	20,700	19,000	21,400	21,300	23,700
	75.90	75.13	0.700	9.350	9.194	4	21.286	5.430	12.000	11.750	11.759	18,200	20,700	18,700	21,200	19,400	21,900	21,700	24,200
	79.20	78.52	0.734	9.282	9.126	4	21.286	5.430	12.000	11.750	11.813	18,500	21,000	19,000	21,500	19,700	22,200	22,000	24,500
	80.80	80.10	0.750	9.250	9.094	4	21.286	5.430	12.000	11.750	11.837	18,600	21,200	19,100	21,700	19,800	22,400	22,100	24,700
	85.30	84.72	0.797	9.156	9.000	4	32.217	7.150	15.750	11.800	11.363	20,300	22,600	20,800	23,100	21,500	23,800	23,600	25,900
	91.20	90.74	0.859	9.032	8.876	4	32.217	7.150	15.750	11.800	11.462	22,200	24,700	22,700	25,200	23,400	25,900	25,700	28,200
	97.10	96.78	0.922	8.906	8.750	4	32.217	7.150	15.750	11.800	11.560	23,300	26,100	23,800	26,600	24,500	27,300	26,800	29,600
	103.00	102.63	0.984	8.782	8.626	4	32.217	7.150	15.750	11.800	11.655	24,400	27,300	24,900	27,800	25,600	28,500	27,900	30,800
	109.00	108.78	1.050	8.650	8.494	4	32.217	7.150	15.750	11.800	11.753	25,400	28,500	25,900	29,000	26,600	29,700	28,900	32,000
118.00	117.90	1.150	8.450	8.294	4	32.217	7.150	15.750	11.800	11.898	26,700	30,200	27,200	30,700	27,900	31,400	30,200	33,700	
11 3/4	60.00	58.81	0.489	10.772	10.625*	4	23.205	5.430	12.000	12.750	12.415	16,200	18,100	16,700	18,600	17,400	19,300	19,700	21,600
	65.00	63.97	0.534	10.682	10.625*	4	23.205	5.430	12.000	12.750	12.492	16,700	18,700	17,200	19,200	17,900	19,900	20,200	22,200
	71.00	69.42	0.582	10.586	10.430	4	23.205	5.430	12.000	12.750	12.574	17,200	19,400	17,700	19,900	18,400	20,600	20,700	22,900
	75.40	74.26	0.625	10.500	10.344	4	23.205	5.430	12.000	12.750	12.646	17,600	19,900	18,100	20,400	18,800	21,100	21,100	23,400
	78.80	77.73	0.656	10.438	10.282	4	23.205	5.430	12.000	12.750	12.697	17,800	20,200	18,300	20,700	19,000	21,400	21,300	23,700
	82.60	81.61	0.691	10.368	10.212	4	23.205	5.430	12.000	12.750	12.754	18,100	20,600	18,600	21,100	19,300	21,800	21,600	24,100
	87.20	86.36	0.734	10.282	10.126	4	23.205	5.430	12.000	12.750	12.824	18,500	21,000	19,000	21,500	19,700	22,200	22,000	24,500
11 7/8	71.80	70.19	0.582	10.711	10.625*	4	20.939	5.430	12.000	12.750	12.700	16,800	18,900	17,300	19,400	18,000	20,100	20,300	22,400
13 5/8	68.00	66.10	0.480	12.415	12.259	4	26.365	5.430	12.000	14.375	14.028	16,700	18,600	17,200	19,100	17,900	19,800	20,200	22,100
	72.00	70.60	0.514	12.347	12.250*	4	26.365	5.430	12.000	14.375	14.088	17,100	19,100	17,600	19,600	18,300	20,300	20,600	22,600
	77.00	75.33	0.550	12.275	12.119	4	26.365	5.430	12.000	14.375	14.151	17,500	19,700	18,000	20,200	18,700	20,900	21,000	23,200
	80.70	79.26	0.580	12.215	12.059	4	26.365	5.430	12.000	14.375	14.203	17,900	20,100	18,400	20,600	19,100	21,300	21,400	23,600
	86.00	85.11	0.625	12.125	11.969	4	26.365	5.430	12.000	14.375	14.280	18,400	20,700	18,900	21,200	19,600	21,900	21,900	24,200
	91.00	89.63	0.660	12.055	11.899	4	26.365	5.430	12.000	14.375	14.359	18,700	21,100	19,200	21,600	19,900	22,300	22,200	24,600
	92.50	91.17	0.672	12.031	11.875	4	26.365	5.430	12.000	14.375	14.359	18,800	21,200	19,300	21,700	20,000	22,400	22,300	24,700
13 3/8	88.20	86.77	0.625	12.375	12.250*	4	21.172	5.430	12.000	14.375	14.532	17,500	19,600	18,000	20,100	18,700	20,800	21,000	23,100

\*Special API Drift

\*\*Matched Strength Coupling OD will always generate a tensile efficiency equal to pipe body cross-sectional area.

**Notes:** Torque values are based on mathematical calculations. There are many variables that affect make-up torque. Please call Hunting to verify torque parameters.

# SEAL-LOCK APEX PERFORMANCE DATA

SIZE	NOMINAL WEIGHT	Minimum Tensile Load (1000 Lb)						Setting Depth (Ft)					
		L-80	N-80	C-90	C-95	P-110	Q-125	L-80	N-80	C-90	C-95	P-110	Q-125
		LB/FT						SF=1.5	SF=1.6	SF=1.5	SF=1.5	SF=1.5	SF=1.5
4½	12.60	342	360	360	378	450	486	18,100	17,860	19,050	20,000	23,810	25,710
	13.50	364	384	384	403	480	518	18,000	17,760	18,940	19,900	23,680	25,580
	15.10	419	441	441	463	551	595	18,500	18,250	19,470	20,440	24,330	26,270
	16.60	459	484	484	508	605	653	18,450	18,220	19,420	20,400	24,300	26,220
	18.80	522	550	550	577	687	742	18,510	18,280	19,500	20,460	24,360	26,310
	21.40	595	627	627	658	783	846	18,540	18,310	19,530	20,500	24,390	26,360
5	15.00	416	437	437	459	547	590	18,470	18,230	19,440	20,400	24,310	26,240
	18.00	501	528	528	554	659	712	18,560	18,330	19,540	20,520	24,410	26,370
	20.30	559	589	589	618	736	795	18,360	18,130	19,340	20,300	24,170	26,110
	21.40	595	626	626	658	783	846	18,540	18,280	19,500	20,500	24,390	26,360
	23.20	645	679	679	713	849	917	18,530	18,290	19,510	20,490	24,400	26,350
	24.10	658	693	693	728	866	935	18,200	17,970	19,170	20,140	23,960	25,860
5½	15.50	429	451	451	474	564	609	18,440	18,200	19,420	20,390	24,270	26,210
	17.00	471	496	496	521	620	670	18,490	18,240	19,450	20,430	24,310	26,270
	20.00	539	568	568	596	710	766	17,970	17,750	18,930	19,870	23,670	25,530
	23.00	630	663	663	696	829	895	18,260	18,020	19,220	20,170	24,030	25,940
	26.00	714	751	751	789	939	1,014	18,310	18,050	19,260	20,230	24,080	26,000
	26.80	746	785	785	825	982	1,060	18,560	18,310	19,530	20,520	24,430	26,370
	28.40	786	828	828	869	1,034	1,117	18,450	18,220	19,440	20,400	24,270	26,220
	29.70	798	840	840	881	1,049	1,133	17,910	17,680	18,860	19,780	23,550	25,430
6%	28.00	773	813	813	854	1,017	1,098	18,400	18,150	19,360	20,330	24,210	26,140
	32.00	872	918	918	964	1,147	1,239	18,170	17,930	19,130	20,080	23,900	25,810
	33.00	914	962	962	1,010	1,203	1,299	18,470	18,220	19,430	20,400	24,300	26,240
	34.50	956	1,006	1,006	1,056	1,258	1,358	18,470	18,220	19,440	20,400	24,310	26,240
	36.70	1,017	1,071	1,071	1,124	1,338	1,445	18,470	18,240	19,450	20,420	24,300	26,250
	40.20	1,119	1,178	1,178	1,237	1,473	1,590	18,560	18,310	19,540	20,510	24,430	26,370
	43.70	1,124	1,183	1,183	1,242	1,479	1,597	17,150	16,920	18,050	18,950	22,560	24,360
	47.10	1,124	1,183	1,183	1,242	1,479	1,597	15,910	15,700	16,750	17,580	20,930	22,600
65.80	1,124	1,183	1,183	1,242	1,479	1,597	11,390	11,240	11,990	12,590	14,990	16,190	
7	23.00	632	666	666	699	832	899	18,330	18,090	19,290	20,260	24,120	26,050
	26.00	717	755	755	793	944	1,019	18,390	18,150	19,360	20,320	24,200	26,130
	29.00	802	845	845	887	1,056	1,140	18,440	18,200	19,410	20,380	24,270	26,210
	32.00	885	932	932	978	1,165	1,258	18,440	18,200	19,420	20,380	24,270	26,210
	35.00	966	1,017	1,017	1,068	1,272	1,373	18,400	18,160	19,370	20,340	24,230	26,150
	38.00	1,041	1,096	1,096	1,151	1,370	1,479	18,260	18,030	19,230	20,190	24,040	25,960
	41.00	1,129	1,188	1,188	1,248	1,485	1,604	18,360	18,110	19,320	20,290	24,150	26,080
	42.70	1,189	1,252	1,252	1,314	1,565	1,690	18,560	18,330	19,550	20,520	24,430	26,390
	44.00	1,215	1,279	1,279	1,343	1,599	1,726	18,410	18,170	19,380	20,350	24,230	26,150
	46.40	1,294	1,363	1,363	1,431	1,703	1,839	18,590	18,360	19,580	20,560	24,470	26,420
	49.50	1,334	1,405	1,405	1,475	1,756	1,896	17,970	17,740	18,920	19,870	23,650	25,540
	50.10	1,334	1,405	1,405	1,475	1,756	1,896	17,750	17,530	18,700	19,630	23,370	25,230
7½	26.40	714	752	752	789	940	1,015	18,320	18,080	19,280	20,240	24,100	26,030
	29.70	811	854	854	897	1,068	1,153	18,030	17,790	18,980	19,930	23,730	25,620
	33.70	923	972	972	1,021	1,215	1,312	18,270	18,030	19,230	20,190	24,040	25,960
	39.00	1,063	1,119	1,119	1,175	1,399	1,511	18,170	17,930	19,130	20,090	23,910	25,830
	42.80	1,185	1,247	1,247	1,309	1,559	1,683	18,460	18,210	19,420	20,390	24,280	26,210
	45.30	1,248	1,314	1,314	1,380	1,643	1,774	18,380	18,130	19,350	20,320	24,180	26,110
	47.10	1,306	1,374	1,374	1,443	1,718	1,856	18,480	18,250	19,460	20,420	24,320	26,270
	51.20	1,423	1,497	1,497	1,572	1,872	2,021	18,530	18,270	19,490	20,470	24,380	26,320
	52.80	1,469	1,546	1,546	1,624	1,933	2,088	18,550	18,300	19,520	20,500	24,400	26,360
	55.30	1,539	1,620	1,620	1,701	2,025	2,187	18,550	18,310	19,530	20,500	24,410	26,370
	59.10	1,611	1,696	1,696	1,781	2,120	2,290	18,170	17,940	19,130	20,090	23,910	25,830
	59.20	1,611	1,696	1,696	1,781	2,120	2,290	18,140	17,910	19,100	20,050	23,870	25,780
	66.90	1,611	1,696	1,696	1,781	2,120	2,290	16,060	15,850	16,900	17,750	21,130	22,820
	7¾	46.10	1,271	1,338	1,338	1,404	1,672	1,806	18,380	18,130	19,350	20,300	24,180

# SEAL-LOCK APEX PERFORMANCE DATA (Continued)

SIZE	NOMINAL WEIGHT	Minimum Tensile Load (1000 Lb)						Setting Depth (Ft)					
		L-80	N-80	C-90	C-95	P-110	Q-125	L-80	N-80	C-90	C-95	P-110	Q-125
IN.	LB/FT							SF=1.5	SF=1.6	SF=1.5	SF=1.5	SF=1.5	SF=1.5
<b>8<sup>5</sup>/<sub>8</sub></b>	40.00	1,098	1,156	1,156	1,213	1,445	1,560	18,300	18,060	19,270	20,220	24,080	26,000
	44.00	1,212	1,276	1,276	1,340	1,595	1,723	18,360	18,130	19,330	20,300	24,170	26,110
	49.00	1,341	1,412	1,412	1,482	1,765	1,906	18,240	18,010	19,210	20,160	24,010	25,930
	52.00	1,426	1,501	1,501	1,576	1,876	2,026	18,280	18,040	19,240	20,200	24,050	25,970
	54.00	1,492	1,571	1,571	1,649	1,964	2,121	18,420	18,180	19,400	20,360	24,250	26,190
	58.70	1,628	1,713	1,713	1,799	2,142	2,313	18,490	18,240	19,450	20,430	24,330	26,270
	63.50	1,632	1,718	1,718	1,804	2,148	2,319	17,140	16,910	18,040	18,940	22,550	24,340
	72.70	1,632	1,718	1,718	1,804	2,148	2,319	14,970	14,770	15,750	16,540	19,690	21,270
<b>9<sup>5</sup>/<sub>8</sub></b>	36.00	974	1,026	1,026	1,077	1,282	1,384	18,300	18,060	19,260	20,220	24,070	26,000
	40.00	1,088	1,145	1,145	1,203	1,432	1,546	18,140	17,900	19,090	20,050	23,860	25,770
	43.50	1,193	1,256	1,256	1,319	1,570	1,695	18,280	18,050	19,250	20,210	24,060	25,980
	47.00	1,289	1,357	1,357	1,425	1,697	1,832	18,280	18,050	19,250	20,210	24,070	25,990
	53.50	1,477	1,555	1,555	1,632	1,943	2,099	18,400	18,170	19,380	20,340	24,210	26,160
	58.40	1,604	1,688	1,688	1,772	2,110	2,279	18,310	18,070	19,270	20,230	24,090	26,010
	64.90	1,796	1,890	1,890	1,985	2,363	2,552	18,450	18,200	19,410	20,390	24,270	26,210
	68.00	1,814	1,910	1,910	2,005	2,387	2,578	17,790	17,550	18,720	19,660	23,400	25,280
	70.30	1,814	1,910	1,910	2,005	2,387	2,578	17,200	16,980	18,110	19,010	22,640	24,450
	71.60	1,814	1,910	1,910	2,005	2,387	2,578	16,890	16,670	17,780	18,670	22,230	24,000
<b>9<sup>3</sup>/<sub>4</sub></b>	59.20	1,626	1,711	1,711	1,797	2,139	2,310	18,310	18,060	19,270	20,240	24,090	26,010
<b>9<sup>7</sup>/<sub>8</sub></b>	62.80	1,659	1,746	1,746	1,834	2,183	2,358	17,610	17,380	18,540	19,470	23,170	25,030
<b>10<sup>3</sup>/<sub>4</sub></b>	51.00	1,383	1,456	1,456	1,529	1,820	1,966	18,080	17,840	19,030	19,990	23,790	25,700
	55.50	1,515	1,595	1,595	1,674	1,993	2,153	18,200	17,960	19,160	20,110	23,940	25,860
	60.70	1,660	1,747	1,747	1,835	2,184	2,359	18,230	17,990	19,190	20,150	23,990	25,910
	65.70	1,803	1,898	1,898	1,993	2,373	2,563	18,300	18,060	19,260	20,220	24,080	26,010
	71.10	1,959	2,063	2,063	2,166	2,578	2,784	18,370	18,130	19,330	20,310	24,170	26,100
	75.90	2,022	2,129	2,129	2,235	2,661	2,874	17,760	17,530	18,700	19,630	23,370	25,240
	79.20	2,022	2,129	2,129	2,235	2,661	2,874	17,020	16,800	17,920	18,810	22,400	24,190
	80.80	2,022	2,129	2,129	2,235	2,661	2,874	16,680	16,470	17,570	18,440	21,960	23,710
	85.30	2,367	2,492	2,492	2,617	3,115	3,364	18,500	18,260	19,480	20,450	24,350	26,290
	91.20	2,536	2,669	2,669	2,803	3,337	3,603	18,540	18,290	19,510	20,490	24,390	26,340
	97.10	2,704	2,847	2,847	2,989	3,558	3,843	18,570	18,330	19,550	20,520	24,430	26,390
	103.00	2,868	3,019	3,019	3,170	3,774	4,076	18,560	18,320	19,540	20,540	24,450	26,410
	109.00	3,040	3,200	3,200	3,360	4,000	4,320	18,590	18,350	19,570	20,550	24,460	26,420
118.00	3,061	3,222	3,222	3,383	4,027	4,349	17,290	17,060	18,200	19,110	22,750	24,570	
<b>11<sup>3</sup>/<sub>4</sub></b>	60.00	1,644	1,730	1,730	1,817	2,163	2,336	18,270	18,020	19,220	20,190	24,030	25,960
	65.00	1,788	1,882	1,882	1,976	2,352	2,540	18,340	18,100	19,300	20,270	24,120	26,050
	71.00	1,940	2,042	2,042	2,144	2,553	2,757	18,220	17,980	19,170	20,130	23,970	25,890
	75.40	2,075	2,184	2,184	2,294	2,731	2,949	18,350	18,100	19,310	20,280	24,150	26,070
	78.80	2,172	2,286	2,286	2,401	2,858	3,087	18,380	18,130	19,340	20,310	24,180	26,120
	82.60	2,204	2,321	2,321	2,437	2,901	3,133	17,790	17,560	18,730	19,670	23,410	25,280
	87.20	2,204	2,321	2,321	2,437	2,901	3,133	16,850	16,640	17,740	18,630	22,180	23,950
<b>11<sup>7</sup>/<sub>8</sub></b>	71.80	1,962	2,065	2,065	2,168	2,581	2,787	18,220	17,980	19,170	20,130	23,960	25,880
<b>13<sup>3</sup>/<sub>8</sub></b>	68.00	1,847	1,945	1,945	2,042	2,431	2,625	18,110	17,880	19,070	20,020	23,830	25,740
	72.00	1,973	2,077	2,077	2,181	2,596	2,804	18,270	18,030	19,230	20,190	24,040	25,960
	77.00	2,105	2,216	2,216	2,327	2,770	2,992	18,230	17,990	19,190	20,150	23,980	25,900
	80.70	2,215	2,331	2,331	2,448	2,914	3,147	18,300	18,050	19,260	20,220	24,070	26,000
	86.00	2,378	2,504	2,504	2,629	3,129	3,380	18,430	18,200	19,410	20,380	24,260	26,200
	91.00	2,505	2,636	2,636	2,768	3,296	3,559	18,350	18,100	19,310	20,280	24,150	26,070
	92.50	2,505	2,637	2,637	2,768	3,296	3,559	18,050	17,820	19,010	19,950	23,750	25,650
<b>13<sup>5</sup>/<sub>8</sub></b>	88.20	2,011	2,117	2,117	2,223	2,647	2,858	15,200	15,000	16,000	16,800	20,010	21,600

**Note:** Tensile strengths calculated on ultimate—L-80=95,000 PSI, N-80=100,000 PSI, C-90=100,000 PSI, C-95=105,000 PSI, P-110=125,000 PSI, Q-125=135,000 PSI.

**Corporate Headquarters** 2 Northpoint Dr., Suite 400 ■ Houston, TX 77060, U.S.A.  
281-820-3838 ■ 281-442-7382 ■ 1-800-877-2636 ■ Fax: 281-931-2450

## Hunting Sales, Service and Threading Locations

### Europe

Olieweg 10  
1951 NH Velsen-Noord  
1940 AH Beverwijk  
The Netherlands  
31-2512-29219  
Fax: 31-2512-10654

Badentoy Avenue  
Badentoy Industrial  
Park, Portlethen  
Aberdeen, Scotland AB12-4SQ  
44-1224-787000  
Fax: 44-1224-787106

Silverburn Place  
Bridge of Don  
Aberdeen Scotland AB23 8EG  
44-1224-820909  
Fax: 44-1224-823123

### Far East

Complex Dragon Industrial  
Park – Block D  
Jl. Pattimura Kabil, Batam  
Indonesia  
62-778-711930  
Fax: 62-778-711929

Jintang Road  
Dongli District, Tianjin  
People's Republic of  
China 300301  
86-22-2480-2093  
Fax: 86-22-2480-2456

34 Benoi Road  
Singapore 629901  
65-6861-6176  
Fax: 65-6861-5010

128 Gul Circle  
Jurong Singapore 629595  
65-6863-0668  
Fax: 65-6863-9196

Kaki Bukit Road 1  
Enterprise One, # 02-29  
Singapore 415934  
65-6742-7620  
Fax: 65-6742-5930

Lot No.48, Phase 5  
(Western of Dong An Road,  
Northern of Yu An Road)  
Shuo Fang Industrial Park  
New District Wuxi City  
Jiangsu Province  
People's Republic of  
China 214142  
86-510-8119-0028  
Fax: 86-510-8119-0038

### Middle East

Office 1505, JAFZA VIEW 19  
Jebel Ali Free Zone  
P.O. Box 261929  
Dubai, United Arab Emirates  
9714 8865799  
middleeast.enquiry@  
huntingplc.com

### North America

3817 Melancon Road  
Broussard, LA 70518, U.S.A.  
337-367-9296  
Fax: 337-364-1487

113 Capital Boulevard  
Houma, LA 70360, U.S.A.  
985-876-4368  
Fax: 985-876-6114

205 E. Woodlawn Ranch Road  
Houma, LA 70363, U.S.A.  
985-851-4170  
Fax: 985-868-3886

118 Thruway Park Road  
Broussard, LA 70518, U.S.A.  
337-839-8344  
Fax: 337-839-8345

6615 River Road  
Marrero, LA 70072, U.S.A.  
504-348-3011  
Fax: 504-348-3057

417A Westchester Drive  
Corpus Christi, TX 78408, U.S.A.  
361-887-2153  
Fax: 361-887-2154

16818 Ramsey Road  
Crosby, TX 77532, U.S.A.  
281-328-1400  
Fax: 281-328-1445

15830 Beaumont Highway  
Houston, TX 77049, U.S.A.  
281-456-0696  
Fax: 281-456-0699

4400 N. Sam Houston  
Pkwy West, #320  
Houston, TX 77086, U.S.A.  
281-659-3700  
Fax: 281-781-0002

1018 Rankin Road  
Houston, TX 77073, U.S.A.  
281-821-5577  
Fax: 281-821-6633

2408 W. Interstate 20  
Odessa, TX 79763, U.S.A.  
432-580-4242  
Fax: 432-580-7977

### Hunting Energy de México

Av. Los Olmos #105  
Parque Industrial El Sabinal  
Apodaca, N.L., México C.P. 66645  
52-81-8196-8700  
Fax: 52-81-8145-4505

### Hunting Composite

17720 Highway 90 East  
Houston, TX 77049, U.S.A.  
281-456-0228  
Fax: 281-456-9013

### Hunting Energy Services (Canada) Ltd.

5550 Skyline Way N.E.  
Calgary, Alberta T2E 7Z7, Canada  
403-543-4477  
Fax: 403-543-4484

2309-5A Street  
Nisku, Alberta T9E 8G6, Canada  
780-955-7799  
Fax: 780-955-8764

### Hunting (Drilling Tools)

100 Tom Stinson Drive  
Conroe, TX 77303, U.S.A.  
936-539-5545

257 Cherry Hill Drive  
Latrobe, PA 15650, U.S.A.  
724-424-9714  
Fax: 724-424-9716

1555 View Drive  
Casper, WY 82601, U.S.A.  
307-265-6550  
Fax: 307-473-1485

808 SE 84th Street  
Oklahoma City, OK 73149, U.S.A.  
405-631-1222  
Fax: 405-631-2221

1515-10 St.  
Nisku, Alberta T9E 8C5, Canada  
780-979-6799  
Fax: 780-979-0399

### Hunting Innova

8383 N. Sam Houston Pkwy  
Houston, TX 77064, U.S.A.  
281-653-5500  
Fax: 281-653-5501

### Hunting Subsea

National Coupling Co.  
1316 Staffordshire Road  
Stafford, TX 77477, U.S.A.  
281-499-2583  
Fax: 281-499-5941

## Worldwide Licensed Threading Locations

For a complete list of licensees, go to [www.huntingplc.com](http://www.huntingplc.com).