



HP Pavilion dm4 Entertainment PC

Maintenance and Service Guide

© Copyright 2010 Hewlett-Packard
Development Company, L.P.

Microsoft and Windows are U.S. registered trademarks of Microsoft Corporation. Bluetooth is a trademark owned by its proprietor and used by Hewlett-Packard Company under license. SD Logo is a trademark of its proprietor.

Bluetooth is a trademark owned by its proprietor and used by Hewlett-Packard Company under license. Intel and Core are trademarks or registered trademarks of Intel Corporation in the United States and other countries. Microsoft and Windows are either trademarks or registered trademarks of Microsoft Corporation in the United States and/or other countries. SD Logo is a trademark of its proprietor.

The information contained herein is subject to change without notice. The only warranties for HP products and services are set forth in the express warranty statements accompanying such products and services. Nothing herein should be construed as constituting an additional warranty. HP shall not be liable for technical or editorial errors or omissions contained herein.

First Edition: April 2010

Document Part Number: 609889-001

MSG revision history

| Revision | Publication date | Description |
|----------|------------------|-----------------------------------------------------------------------------------------------------------------------------------------------------------------------------------------------------------------------------------------------------------------------------------------------------------------------------------------------------------------------------------------------------------------------------------------------------------------------------------------------------------------------------------------------------------------------------------------------------------------------------------------------------------------------------------------------------------------------------------------------------------------------------------------------------------------------------------------------------------------------------------------------------------------------------------------------------------------------------------------------------------------------------------------------------------------------------------------------------------------------------------------------------------------------------------------------------------------------------|
| A | August 2010 | <ul style="list-style-type: none">• Updated commodities in the following location:• Updated bottom components illustration in the following location: Bottom components on page 15.• Updated the component replacement procedures for the hard drive in the following location: Hard drive on page 57.• Updated the component replacement procedures for the optical disk drive in the following location: Optical drive on page 60.• Added new supported hard drives to spare parts listings in the following locations: Computer major components on page 19, Mass storage devices on page 29, Sequential part number listing on page 31, Hard drive on page 57.• Added newly supported WLAN modules to spare parts listings in the following locations: Computer major components on page 19, Sequential part number listing on page 31, WLAN module on page 50.• Updated hard drive specifications in the following location: Hard drive specifications on page 99. |
| B | November 2010 | <ul style="list-style-type: none">• Added newly supported processors to spare parts listings in the following locations: Computer major components on page 19, Sequential part number listing on page 31, and Processor on page 90• Added newly supported system boards to spare parts listings in the following locations: Computer major components on page 19, Sequential part number listing on page 31, and System board on page 83• Added newly supported hard drives to spare parts listings in the following locations: Computer major components on page 19, Sequential part number listing on page 31, and Hard drive on page 57• Added newly supported keyboards to spare parts listings in the following locations: Computer major components on page 19 and Sequential part number listing on page 31 |

Safety warning notice

- ⚠ **WARNING!** To reduce the possibility of heat-related injuries or of overheating the computer, do not place the computer directly on your lap or obstruct the computer air vents. Use the computer only on a hard, flat surface. Do not allow another hard surface, such as an adjoining optional printer, or a soft surface, such as pillows or rugs or clothing, to block airflow. Also, do not allow the AC adapter to contact the skin or a soft surface, such as pillows or rugs or clothing, during operation. The computer and the AC adapter comply with the user-accessible surface temperature limits defined by the International Standard for Safety of Information Technology Equipment (IEC 60950).
-

Table of contents

| | |
|---------------------------------------------------|-----------|
| 1 Product description | 1 |
| 2 External component identification | 6 |
| Identifying the hardware | 6 |
| Top components | 7 |
| TouchPad | 7 |
| Lights | 8 |
| Power button and fingerprint reader | 9 |
| Keys | 10 |
| Front components | 11 |
| Right-side components | 11 |
| Left-side components | 12 |
| Display components | 14 |
| Bottom components | 15 |
| Wireless antennas | 16 |
| Additional hardware components | 17 |
| 3 Illustrated parts catalog | 18 |
| Serial number location | 18 |
| Computer major components | 19 |
| Display assembly components | 27 |
| Plastics Kit | 28 |
| Mass storage devices | 29 |
| Miscellaneous parts | 30 |
| Sequential part number listing | 31 |
| 4 Removal and replacement procedures | 38 |
| Preliminary replacement requirements | 38 |
| Tools required | 38 |
| Service considerations | 38 |
| Plastic parts | 38 |
| Cables and connectors | 39 |
| Drive handling | 39 |

| | |
|---------------------------------------------------|-----------|
| Grounding guidelines | 40 |
| Electrostatic discharge damage | 40 |
| Packaging and transporting guidelines | 41 |
| Workstation guidelines | 41 |
| Equipment guidelines | 42 |
| Component replacement procedures | 43 |
| Serial number | 43 |
| Computer feet | 44 |
| Battery | 45 |
| SIM | 46 |
| Memory module | 47 |
| RTC battery | 49 |
| WLAN module | 50 |
| WWAN module | 55 |
| Hard drive | 57 |
| Optical drive | 60 |
| Keyboard | 62 |
| Top cover | 64 |
| Fingerprint reader board | 67 |
| Power button board | 69 |
| Display assembly | 70 |
| USB board | 76 |
| Power connector cable | 77 |
| Bluetooth module | 79 |
| Speaker assembly | 81 |
| System board | 83 |
| Fan/heat sink assembly | 85 |
| Processor | 90 |
| 5 Setup Utility | 92 |
| Starting Setup Utility | 92 |
| Using Setup Utility | 92 |
| Changing the language of Setup Utility | 92 |
| Navigating and selecting in Setup Utility | 93 |
| Displaying system information | 93 |
| Restoring default settings in Setup Utility | 94 |
| Exiting Setup Utility | 94 |
| Setup Utility menus | 95 |
| Main menu | 95 |
| Security menu | 95 |
| System Configuration menu | 95 |
| Diagnostics menu | 96 |

| | |
|-----------------------------------------------------------------------------|------------|
| 6 Specifications | 97 |
| Computer specifications | 97 |
| 35.56-cm (14.0-in) display specifications | 98 |
| Hard drive specifications | 99 |
| DVD±RW SuperMulti Double-Layer Drive specifications | 100 |
| System resource specifications | 101 |
| | |
| 7 Backup and recovery | 102 |
| Creating recovery discs | 103 |
| Backing up your information | 104 |
| Using Windows Backup and Restore | 105 |
| Using system restore points | 105 |
| When to create restore points | 105 |
| Create a system restore point | 105 |
| Restore to a previous date and time | 106 |
| Performing a recovery | 106 |
| Recovering from the recovery discs | 106 |
| Recovering from the dedicated recovery partition (select models only) | 106 |
| | |
| 8 Connector pin assignments | 108 |
| Audio-out (headphone) | 108 |
| Audio-in (microphone) | 108 |
| External monitor | 109 |
| RJ-45 (network) | 110 |
| HDMI | 111 |
| Universal Serial Bus | 112 |
| | |
| 9 Power cord set requirements | 113 |
| Requirements for all countries or regions | 113 |
| Requirements for specific countries or regions | 114 |
| | |
| 10 Recycling | 115 |
| Battery | 115 |
| Display | 115 |
| | |
| Index | 121 |

1 Product description

| Category | Description | Discrete | UMA |
|---------------------|------------------------------------------------------------------------------------------------------------------|----------|-----|
| Product Name | HP Pavilion dm4 Entertainment PC | √ | √ |
| Processors | Intel® Core™ i7 processor | | |
| | 640M, 2.80-GHz (SC turbo up to 3.33 GHz), 4-MB L3 cache | √ | √ |
| | 620M, 2.66-GHz (SC turbo up to 3.33 GHz), 4-MB L3 cache | √ | √ |
| | Intel Core i5 processors | | |
| | 580M, 2.66-GHz (SC turbo up to 3.33 GHz), 3-MB L3 cache | √ | √ |
| | 560M, 2.66-GHz (SC turbo up to 3.2 GHz), 3-MB L3 cache | √ | √ |
| | 540M, 2.53-GHz (SC turbo up to 3.06 GHz), 3-MB L3 cache | √ | √ |
| | 520M, 2.40-GHz (SC turbo up to 2.93 GHz), 3-MB L3 cache | √ | √ |
| | 480M, 2.66-GHz. 3-MB L3 cache | √ | √ |
| | 460M, 2.53-GHz 3-MB L3 cache | √ | √ |
| | 450M, 2.40-GHz, 3-MB L3 cache | √ | √ |
| | 430M, 2.26-GHz (SC turbo to 2.53-GHz) 3-MB L3 cache | √ | √ |
| Chipset | Intel HM55 Express | √ | √ |
| Graphics | Switchable discrete graphics | √ | |
| | ATi Park Pro (ATI Mobility Radeon™ HD5450 with 512-MB of dedicated video memory [64-MB×16 DDR3, 4 pcs, 800-MHz]) | | |
| | ATI Mobility Radeon™ HD6370 with 1024-MB of dedicated video memory [128-MB×16 DDR3, 800-MHz]) | √ | |

| | | | |
|-----------------------|-----------------------------------------------------------------------------------------------------------------------------------------------------------------------------------------------------------------------------------------------------|---|---|
| | ATI Mobility Radeon™ HD5470 with 512-MB of dedicated video memory (128-MB×16 DDR3, 800-MHz) | √ | |
| | Intel HD Graphics with shared video memory (memory size is dynamic change) | | √ |
| | Unified Memory Architecture (UMA) | | |
| Panel | 35.56-cm (14.0-in) HD LED BrightView (1366 x 768 resolution) | √ | √ |
| | 16:9 ultra wide aspect ratio | √ | √ |
| Memory | 2 SODIMM slots | √ | √ |
| | Customer-accessible and upgradable | √ | √ |
| | Supports up to 8 GB of system memory | √ | √ |
| | DDR3, 1066-MHz, dual-channel memory (DDR3 1333 MHz downgraded to DDR3 1066 MHz) | √ | √ |
| | Supports the following configurations: | √ | √ |
| | <ul style="list-style-type: none"> • 8 GB (4 GB×2) • 6 GB (2 GB×2 + 4 GB×1) • 4 GB (2 GB×2 or 4 GB×1) • 3 GB (1 GB×1 + 2 GB×1) • 2 GB (2 GB×1) • 2 GB (1 GB×2) • 1 GB (1 GB×1) | | |
| Hard drives | Accelerometer protection support | √ | √ |
| | Supports the following 9.5-mm, 6.35-cm (2.5-in) SATA hard drives | √ | √ |
| | <ul style="list-style-type: none"> • 750 GB, 7200 and 5400 rpm • 640 GB, 7200 and 5400 rpm • 500 GB, 7200 rpm • 320 GB, 7200 rpm • 250 GB, 7200 rpm • 160 GB Solid-state drive | | |
| | Supports the following solid-state drive: | √ | √ |
| | <ul style="list-style-type: none"> • 160-GB | | |
| Optical drives | Supports the following 9.5-mm (0.50-in) tray load, fixed, SATA drive: | √ | √ |
| | DVD±R/RW SuperMulti DL Drive | | |

| | | | |
|----------------------------|---------------------------------------------------------------------------------------------------------------------------------------------------------|---|---|
| Camera | HP TrueVision | √ | √ |
| | Low light, fixed (no tilt), activity LED | √ | √ |
| | 640 × 480 by 24 frames per second | √ | √ |
| Microphone | One microphone, digital | √ | √ |
| | Noise suppression | √ | √ |
| Audio | Dolby Advanced Audio, HD audio | √ | √ |
| | Supports Microsoft Premium requirements | √ | √ |
| | Altec Lansing speakers | √ | √ |
| Ethernet | Integrated 10/100/1000 network interface card (NIC) | √ | √ |
| Wireless | Integrated wireless local area network (WLAN) options by way of wireless module: | √ | √ |
| | Intel Centrino Wireless-N 1000 802.11b/g/n 1x2 | √ | √ |
| | Atheros AR9285 802.11 a/b/g/n 2x2 WiFi adapter | √ | √ |
| | Intel® Centrino® Advanced-N + WiMAX 6250 | √ | √ |
| | Broadcom 43224AGN 802.11a/b/g/draft-n WiFi Adapter | √ | √ |
| | Broadcom 4313AGN 802.11a/b/g/draft-n WiFi Adapter | √ | √ |
| | Broadcom 4313 802.11b/g/n 1x1 WiFi and 2070 Bluetooth 2.1+EDR Combo Adapter | √ | √ |
| | Realink RT3090BC4 802.11b/g/n 1x1 WiFi and Bluetooth 2.1+EDR Combo Adapter | √ | √ |
| | Integrated WWAN and GPS function: | √ | |
| | Qualcomm module with two antennas | √ | |
| | 5 band antenna support: 2100/1800/1900/800/900 with additional GPS band | √ | |
| External media card | 5-in-1 Digital Media Slot; supports SD, MMC, MS, Mspro, xD | √ | √ |
| | Supports mini versions of SD, MMC, and MS Duo with adapter (adapter not included) | √ | √ |
| Ports | VGA (Dsub 15-pin) supporting: | √ | √ |
| | <ul style="list-style-type: none"> 1600 x 1200 resolution at 75 Hz VGA (Dsub 15-pin) supporting 1920 x 1200 resolution at 75 Hz | | |

| | | | |
|----------------------------------|---------------------------------------------------------------------------------------|---|---|
| | Hot plug/unplug and auto detect for wide-aspect or standard-aspect video | √ | √ |
| | HDMI v1.3 supporting up to 1080p, 1920 x 1200 @ 60 Hz DVI mode | √ | √ |
| | USB 2.0 (3) | √ | √ |
| | RJ-45 | √ | √ |
| | Audio-in (microphone) | √ | √ |
| | Audio-out (headphone) | √ | √ |
| | Smart-pin AC adapter plug | √ | √ |
| Keyboard/pointing devices | 35.56-cm (14.0-inch) full-size keyboard | √ | √ |
| | Dura-coat island style keyboard | √ | √ |
| | TouchPad with Mylar click pad cover (taps and multitouch gestures enabled by default) | √ | √ |
| Power requirements | 9-cell (93-Wh) 2.80-Ah Li-ion battery | √ | √ |
| | 6-cell (62-Wh) 2.80-Ah Li-ion battery | √ | √ |
| | 6-cell (55-Wh) 2.55-Ah Li-ion battery | √ | √ |
| | 65-W AC adapter with Smart-Pin DC connector | | √ |
| | 90-W AC adapter with Smart-Pin DC connector | √ | |
| Security | Kensington Security Lock | √ | √ |
| | Fingerprint reader with Digital Persona Software Support | √ | √ |
| Operating system | Preinstalled: | √ | √ |
| | Windows 7 Professional (64 bit) | √ | √ |
| | Windows 7 Home Premium (64 bit) | √ | √ |
| | Windows 7 Home Basic (32 and 64 bit) | √ | √ |
| | FreeDOS | √ | √ |
| | RedFlag | √ | √ |
| Serviceability | End-user replaceable parts: | √ | √ |
| | AC adapter | √ | √ |
| | Battery (system) | √ | √ |
| | Hard drive | √ | √ |
| | Memory module | √ | √ |
| | Optical drive | √ | √ |

| | | |
|------------------|---|---|
| Mini-card device | √ | √ |
| SIM | √ | √ |

2 External component identification

Identifying the hardware

Components included with the computer may vary by region and model. The illustrations in this chapter identify the standard features on most computer models.

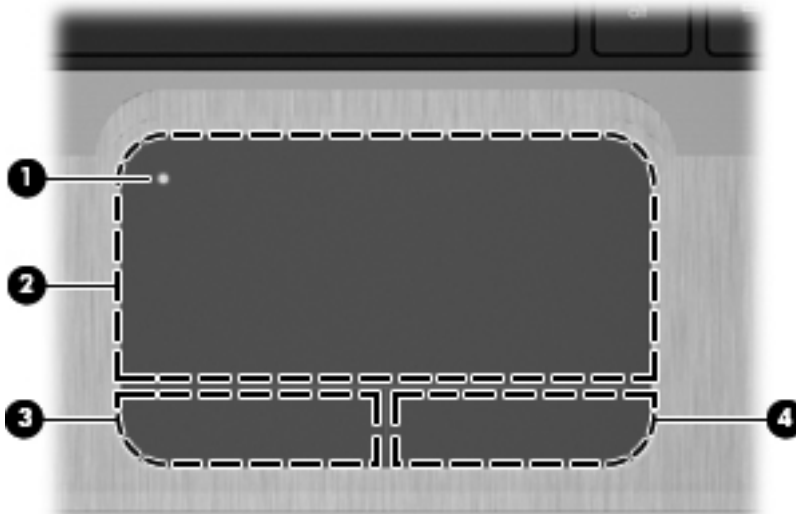
To see a list of hardware installed in the computer, follow these steps:

1. Select **Start > My Computer**.
2. In the left pane of the System Tasks window, select **View system information**.
3. Select **Hardware tab > Device Manager**.

You can also add hardware or modify computer configurations using Device Manager.

Top components

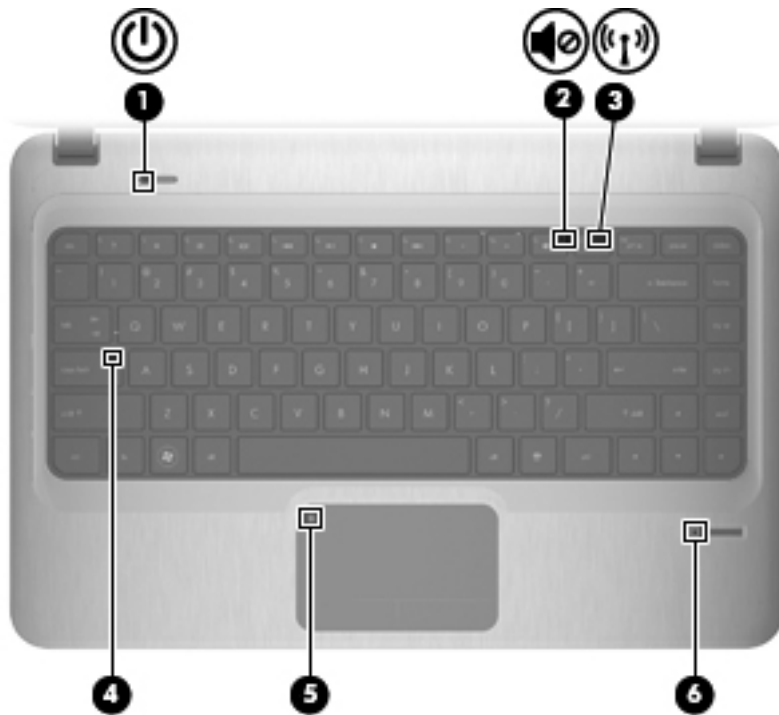
TouchPad







| Component | Description |
|----------------------------|-----------------------------------------------------------------------------------------------|
| (1) TouchPad on/off button | Turns the TouchPad on and off. Quickly double-tap the button to turn the TouchPad on and off. |
| (2) TouchPad zone* | Moves the pointer and selects or activates items on the screen. |
| (3) Left TouchPad button* | Functions like the left button on an external mouse. |
| (4) Right TouchPad button* | Functions like the right button on an external mouse. |

*This table describes factory settings. To view or change pointing device preferences, select **Start > Devices and Printers**. Then, right-click the icon representing your device, and select **Mouse settings**.

Lights



| Component | Description |
|--------------------------------------------------------------------------------------------------------|----------------------------------------------------------------------------------------------------------------------------------------------------------------------------------------------------------------------------------------------------------------------------------------------------------------------------------------|
| (1)  Power light | <ul style="list-style-type: none">• White: Power is on.• Blinking White: The computer is in the Sleep state. <p>NOTE: Another power light is located on the left side of the computer.</p> |
| (2)  Mute light | Amber: Speaker sound is off. |
| (3)  Wireless light | <ul style="list-style-type: none">• White: An integrated wireless device, such as a wireless local area network (WLAN) device and/or a Bluetooth® device, is on. <p>NOTE: Wireless devices are enabled at the factory.</p> <ul style="list-style-type: none">• Amber: All wireless devices are off. |
| (4) Caps lock light | White: Caps lock is on. |
| (5)  TouchPad light | Amber: TouchPad is disabled. |
| (6) Fingerprint reader light | <ul style="list-style-type: none">• White: Fingerprint read is good.• Amber: Fingerprint read is bad. |

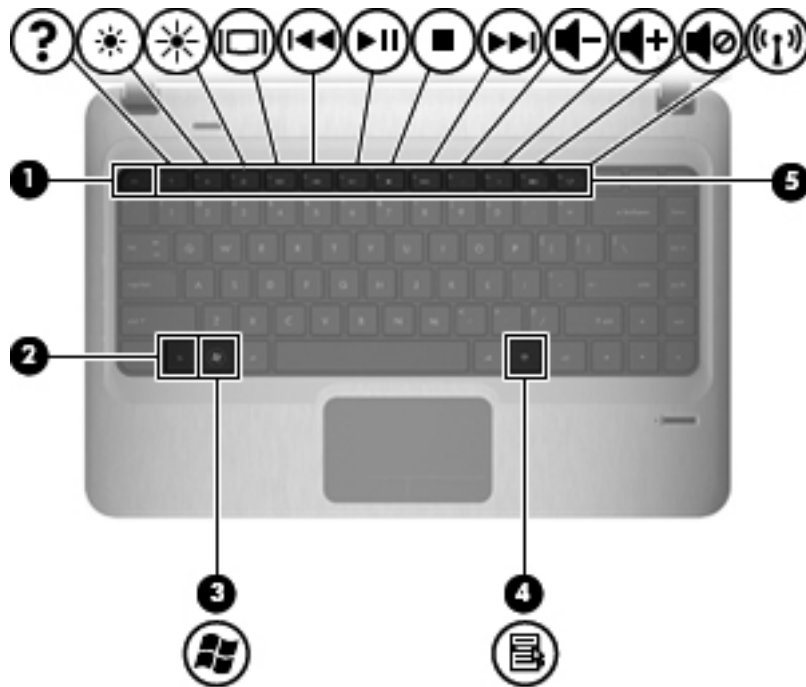
Power button and fingerprint reader



| Component | Description |
|------------------------|-------------------------------------------------------------------------------------------------------------------------------------------------------------------------------------------------------------------------------------------------------------------------------------------------------------------------------------------------------------------------------------------------------------------------------------------------------------------------------------------------------------------------------------------------------------------------------------------------------------------------------------------------------------------------------------------------------------------|
| (1) Power button* | <ul style="list-style-type: none">• When the computer is off, press the button to turn on the computer.• When the computer is on, press the button briefly to initiate Sleep.• When the computer is in the Sleep state, press the button briefly to exit Sleep.• When the computer is in Hibernation, press the button briefly to exit Hibernation. <p>If the computer has stopped responding and Windows® shutdown procedures are ineffective, press and hold the power button for at least 5 seconds to turn off the computer.</p> <p>To learn more about your power settings, select Start > Control Panel > System and Security > Power Options.</p> |
| (2) Fingerprint reader | Allows a fingerprint logon to Windows, instead of a password logon. |

*This table describes factory settings. For information about changing factory settings, refer to the user guides located in Help and Support.

Keys



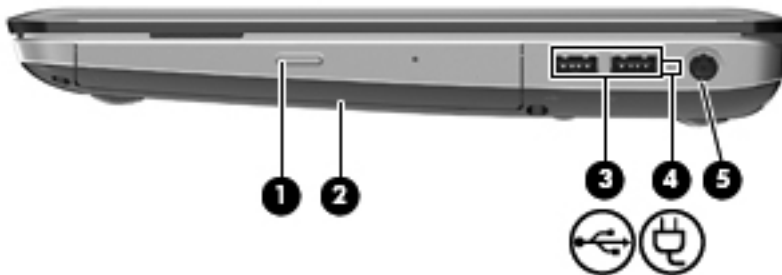
| Component | Description |
|------------------------------|----------------------------------------------------------------------------------------|
| (1) <code>esc</code> key | Displays system information when pressed in combination with the <code>fn</code> key. |
| (2) <code>fn</code> key | Displays system information when pressed in combination with the <code>esc</code> key. |
| (3) Windows logo key | Displays the Windows Start menu. |
| (4) Windows applications key | Displays a shortcut menu for items beneath the pointer. |
| (5) Action keys | Execute frequently used functions. |


Front components





| Component | Description |
|------------------------|---------------------------------------------------------------------------------------------------------------------------------------------------------------------------------------------------------------------------------------------------------------------------------------------------------------------------------------------------|
| (1) Digital Media Slot | Supports the following optional digital card formats: <ul style="list-style-type: none"> Memory Stick (MS) Memory Stick Pro (MSP) MultiMediaCard (MMC) Secure Digital (SD) Memory Card Secure Digital High Capacity (SDHC) Memory Card (standard and large size) xD-Picture Card (XD) |
| (2) Speakers (2) | Produce sound. |

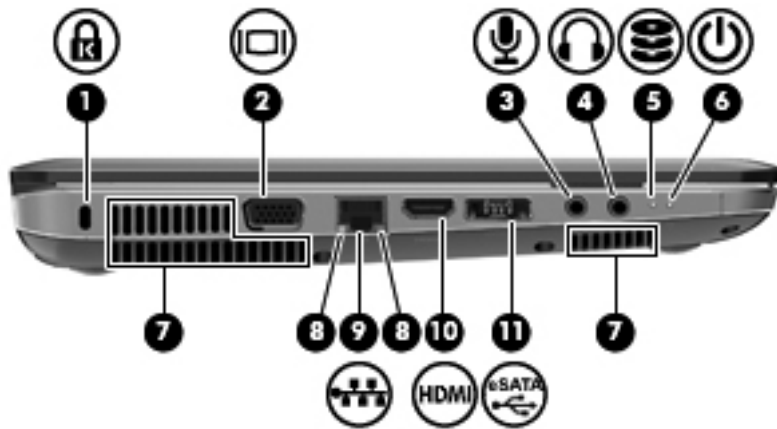
Right-side components










| Component | Description |
|-------------------------------------------------------------------------------------------------------|-------------------------------------------------------------------------------------------------------------------------------------|
| (1) Optical drive light | <ul style="list-style-type: none"> On: The optical drive is being accessed. Off: The optical drive is idle. |
| (2) Optical drive | Reads/writes optical discs. |
| (3)  USB ports (2) | Connect optional USB devices. |

| Component | Description |
|-------------------------------------------------------------------------------------------------------|--------------------------------------------------------------------------------------------------------------------------------------------------------------------------------------------------------------------------------------------------------------------------------------------------------------------------------------------------------------------------------------------------------------------------------|
| (4)  Battery light | <ul style="list-style-type: none"> White: The computer is connected to external power and the battery is fully charged. Amber: The computer is connected to external power and the battery is charging. Blinking: A battery that is the only available power source has reached a low battery level. When the battery reaches a critical battery level, the battery light continues to blink. |
| (5)  Power connector | Connects an AC adapter. |

Left-side components



| Component | Description |
|--------------------------------------------------------------------------------------------------------------------|------------------------------------------------------------------------------------------------------------------------------------------------------------------------------------------------------------|
| (1)  Security cable slot | <p>Attaches an optional security cable to the computer.</p> <p>NOTE: The security cable is designed to act as a deterrent, but it may not prevent the computer from being mishandled or stolen.</p> |
| (2)  External monitor port | Connects an optional external display, such as a monitor or projector, to the computer. |
| (3)  Audio-in (microphone) jack | Connects an optional computer headset microphone, stereo array microphone, or monaural microphone. |
| (4)  Audio-out (headphone) jack | Produces sound when connected to optional powered stereo speakers, headphones, ear buds, a headset, or television audio. |
| (5)  Drive light | <ul style="list-style-type: none"> White: The hard drive is being accessed. Amber: HP ProtectSmart Hard Drive Protection has temporarily parked the hard drive. |

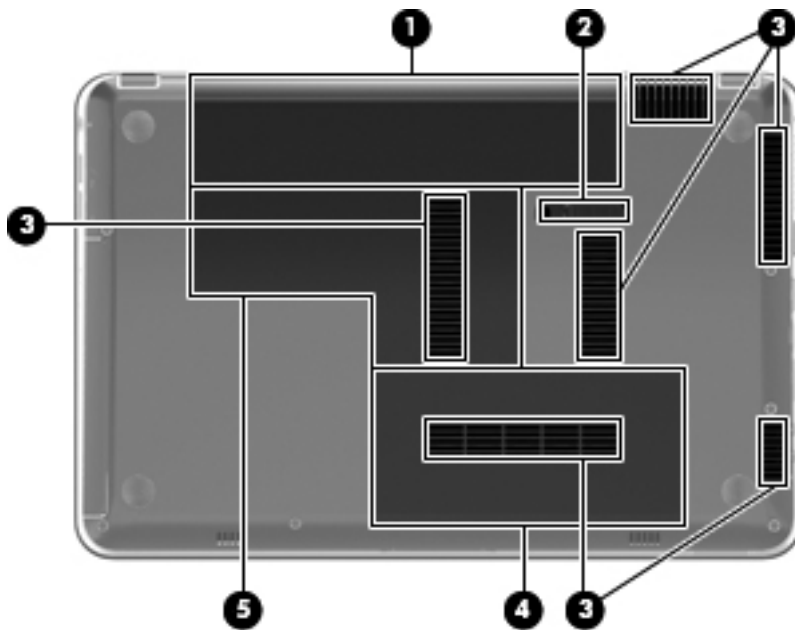
| Component | | Description |
|-----------|--------------------------------------------------------------------------------------------------------|------------------------------------------------------------------------------------------------------------------------------------------------------------------------------------------------------------------------------------------------------|
| (6) |  Power light | <ul style="list-style-type: none"> On: Power is on. Blinking: The computer is in the Sleep state. <p>NOTE: Another power light is located next to the power button.</p> |
| (7) | Vents (3) | <p>Enable airflow to cool internal components.</p> <p>NOTE: The computer fan starts up automatically to cool internal components and prevent overheating. It is normal for the internal fan to cycle on and off during routine operation.</p> |
| (8) | RJ-45 (network) lights | <ul style="list-style-type: none"> White: The network is connected. Amber: The network is showing activity. |
| (9) |  RJ-45 (network) jack | Connects a network cable. |
| (10) | HDMI port | Connects an optional HDMI device. |
| (11) | Combo eSATA/USB port | Connects an optional USB device or high-performance eSATA components, such as an eSATA external hard drive. |

Display components



| Component | Description |
|-----------------------------|-----------------------------------------------------------------------|
| (1) Internal display switch | Turns off the display if the display is closed while the power is on. |
| (2) Webcam light | White: The webcam is in use. |
| (3) Webcam | Records video and captures still photographs. |
| (4) Internal microphone | Record sound. |

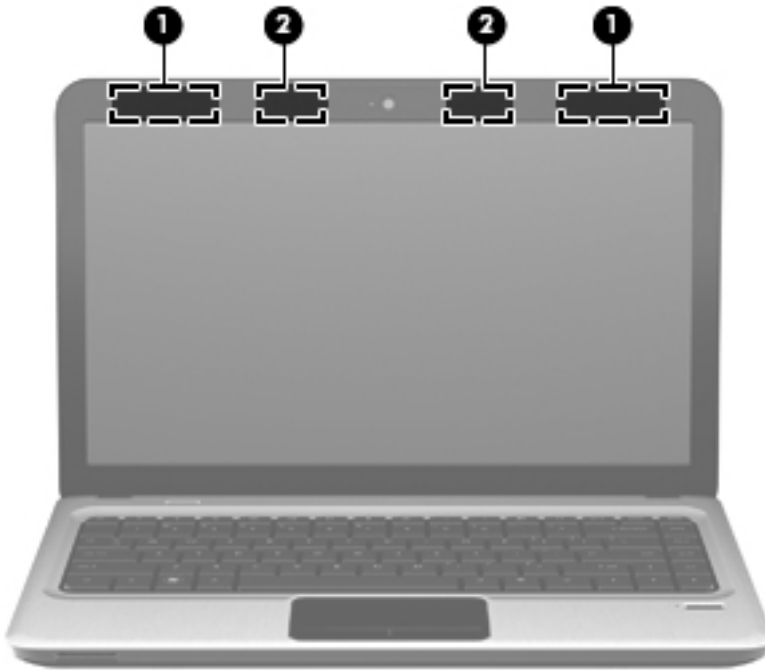
Bottom components



| Component | Description |
|----------------------------------------|---------------------------------------------------------------------------------------------------------------------------------------------------------------------------------------------------------------------------------------------------------------------------------------------------------------------------------------------------------------------------------------------------------------------------------------------------------------------------------------------|
| (1) Battery bay | Holds the battery. |
| (2) Battery release latch | Releases the battery from the battery bay. |
| (3) Vents (6) | Enable airflow to cool internal components. NOTE: The computer fan starts up automatically to cool internal components and prevent overheating. It is normal for the internal fan to cycle on and off during routine operation. |
| (4) Hard drive bay | Holds the hard drive. |
| (5) Memory/Wireless module compartment | Holds a wireless LAN module, a wireless WAN module, and memory modules. NOTE: To prevent an unresponsive system, replace the wireless module only with a wireless module authorized for use in the computer by the governmental agency that regulates wireless devices in your country or region. If you replace the module and then receive a warning message, remove the module to restore computer functionality, and then contact technical support through Help and Support. |

Wireless antennas

On select computer models, at least two antennas send and receive signals from one or more wireless devices. These antennas are not visible from the outside of the computer.



| Component | Description |
|-------------------------------|---------------------------------------------------------------------------------------------|
| (1) WLAN antennas (2)* | Send and receive wireless signals to communicate with wireless local area networks (WLANs). |
| (2) WWAN antennas (2)* | Send and receive wireless signals to communicate with wireless wide-area networks (WWANs). |

*The antennas are not visible from the outside of the computer. For optimal transmission, keep the areas immediately around the antennas free from obstructions.

To see wireless regulatory notices, refer to the section of the *Regulatory, Safety and Environmental Notices* that applies to your country or region. These notices are located in Help and Support.

Additional hardware components



| Component | Description |
|-----------------|---------------------------------------------------------------------------|
| (1) Power cord* | Connects an AC adapter to an AC outlet. |
| (2) AC adapter | Converts AC power to DC power. |
| (3) Battery* | Powers the computer when the computer is not plugged into external power. |

*Batteries and power cords vary in appearance by region and country.

3 Illustrated parts catalog

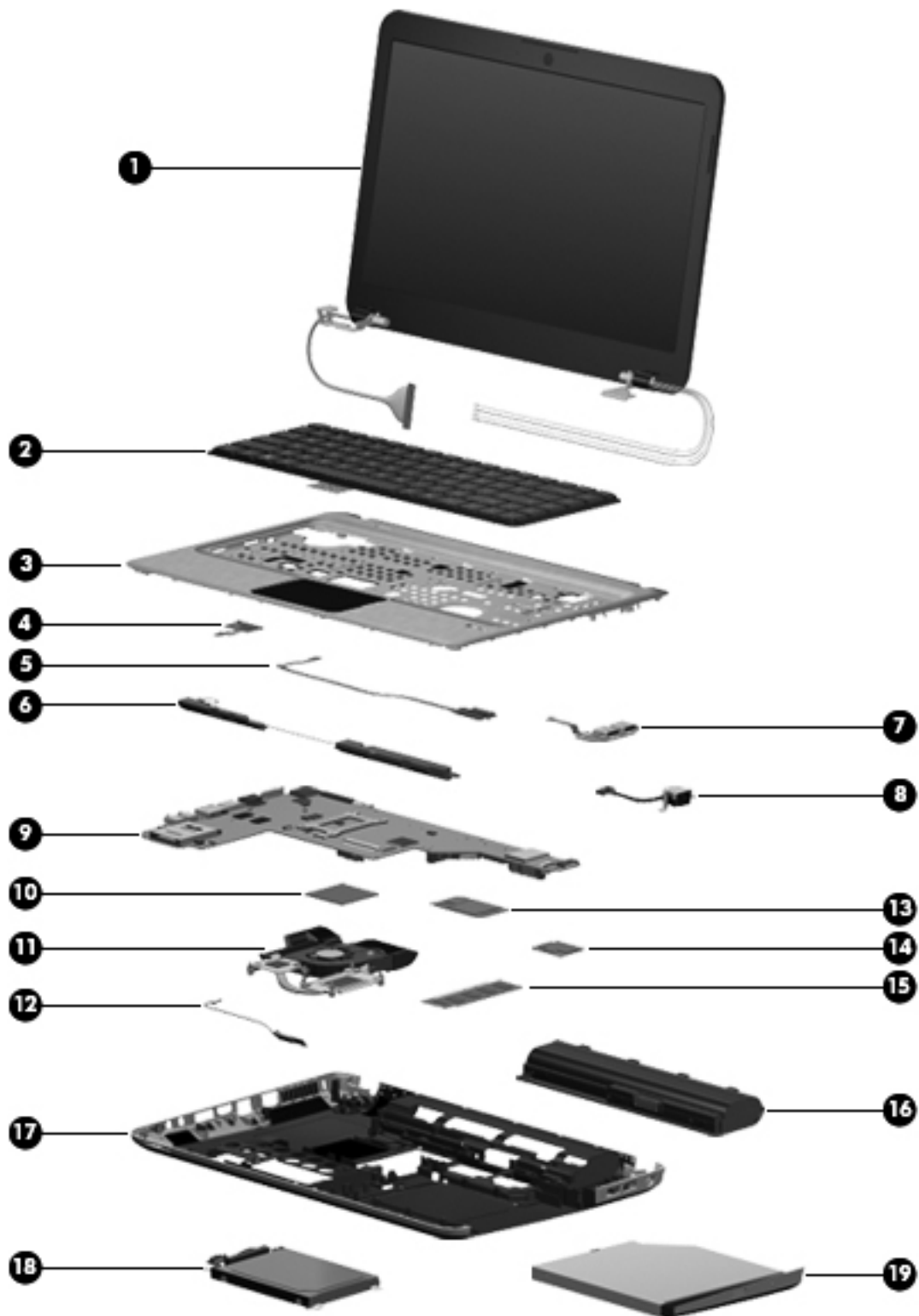
Serial number location

When ordering parts or requesting information, provide the computer serial number and model number located in the battery bay of the computer.



- Product name **(1)**. This is the product name affixed to the front of the computer.
- Serial number (s/n) **(2)**. This is an alphanumeric identifier that is unique to each product.
- Part number/Product number (p/n) **(3)**. This number provides specific information about the product's hardware components. The part number helps a service technician to determine what components and parts are needed.
- Warranty period **(4)**. This number describes the duration (in years) of the warranty period for the computer.
- Model description **(5)**. This is the alphanumeric identifier used to locate documents, drivers, and support for the computer.

Computer major components



| Item | Description | Spare part number |
|-------------|----------------------------------------------------------------------------------------------------------------------------------------------|--------------------------|
| (1) | 35.56 cm (14.0-in), WXGA, HD, BrightView display assembly | |
| | NOTE: See Display assembly components on page 27 for more display assembly internal component spare part information. | |
| | For use in models equipped with WWAN | 613667-001 |
| | For use in models not equipped with WWAN | 608207-001 |
| (2) | Keyboards | |
| | For use in Brazil | 608222-201 |
| | For use in English and French Canada | 608222-121 |
| | For use in Europe, the Middle East, and Asia | 608022-B31 |
| | For use in France | 608022-051 |
| | For use in Germany | 608022-041 |
| | For use in Japan | 608022-291 |
| | For use in Latin America | 608222-161 |
| | For use in the Netherlands | 608022-DH1 |
| | For use in Russia | 608222-251 |
| | For use in Saudi Arabia | 608022-171 |
| | For use in South Korea | 608222-AD1 |
| | For use in Spain | 608022-071 |
| | For use in Switzerland | 608022-BG1 |
| | For use in Taiwan | 608222-AB1 |
| | For use in Thailand | 608222-281 |
| | For use in Turkey | 608022-141 |
| | For use in the United Kingdom | 608022-031 |
| | For use in the United States | 608222-001 |
| (3) | Top cover (includes Touchpad) | 608224-001 |
| (4) | Power button board (includes cable) | 608226-001 |
| (5) | Fingerprint reader board | 608225-001 |
| (6) | Speaker assembly (includes cable) | 608232-001 |
| (7) | USB board (includes cable) | 608277-001 |
| (8) | Power connector cable (includes power connector and cable) | 608273-001 |
| (9) | System board (includes replacement thermal material) | |
| | For use in models equipped with 1 GB of HD5450 discrete graphics memory | 616244-001 |
| | For use in models equipped with 512 MB of HD5450 discrete graphics memory | 608203-001 |

| Item | Description | Spare part number |
|-------------|------------------------------------------------------------------------------------------------------------|--------------------------|
| | For use in models equipped with 512 MB of HD5470 discrete graphics memory | 621044-001 |
| | For use in models equipped with 1 GB of HD5470 discrete graphics memory | 621045-001 |
| | For use in models equipped with 512 MB of HD6370 discrete graphics memory | 630713-001 |
| | For use in models equipped with 1 GB of HD6370 discrete graphics memory | 630714-001 |
| | For use in models equipped with UMA graphics | 608204-001 |
| | For use in models equipped with WiMAX and UMA graphics | 633863-001 |
| (10) | Processor (includes replacement thermal material) | |
| | Intel Core i7 processor, Dual Core | |
| | <ul style="list-style-type: none"> 640M, 2.80GHz (SC turbo up to 3.33-GHz), 4-MB L3 cache | 625826-001 |
| | <ul style="list-style-type: none"> 620M, 2.26-GHz (SC turbo up to 3.33-GHz), 4-MB L3 cache) | 587259-001 |
| | Intel Core i5 processors, Dual Core | |
| | <ul style="list-style-type: none"> 580M, 2.66-GHz (SC turbo up to 3.33-GHz), 3-MB L3 cache) | 625825-001 |
| | <ul style="list-style-type: none"> 560M, 2.66-GHz (SC turbo up to 3.2-GHz) 3-MB L3 cache) | 625824-001 |
| | <ul style="list-style-type: none"> 540M, 2.53-GHz, (SC turbo up to 3.06-GHz) 3-MB L3 cache) | 594188-001 |
| | <ul style="list-style-type: none"> 520M, 2.40-GHz (SC turbo up to 2.93-GHz), 3-MB L3 cache) | 594187-001 |
| | <ul style="list-style-type: none"> 480M, 2.66-GHz, 3-MB L3 cache | 634693-001 |
| | <ul style="list-style-type: none"> 460M, 2.53-GHz, 3-MB L3 cache | 626039-001 |
| | <ul style="list-style-type: none"> 450M, 2.40-GHz, 3-MB L3 cache | 613585-001 |
| | <ul style="list-style-type: none"> 430M, 2.26-GHz, 3-MB L3 cache | 597624-001 |
| (11) | Fan/heatsink assembly (includes replacement thermal material) | |
| | For use in models equipped with UMA graphics | 608229-001 |
| | For use in models equipped with discrete graphics | 608231-001 |
| (12) | Bluetooth module | 537921-001 |
| | NOTE: The Bluetooth module cable is included in the Misc Cable Kit, spare part number 608227-001. | |
| (13) | HP un2420 Broadband Module (WWAN) | 531993-001 |
| (14) | WLAN modules | |
| | Atheros AR9285 802.11 a/b/g/n 2x2 WiFi adapter | 580101-001 |
| | For use in Canada, the Cayman Islands, Guam, Puerto Rico, the United States, and the US Virgin Islands | |

| Item | Description | Spare part number |
|-----------------------------------------------------------|---------------------------------------------------------------------------------------------------------------------------------------------------------------------------------------------------------------------------------------------------------------------------------------------------------------------------------------------------------------------------------------------------------------------------------------------------------------------------------------------------------------------------------------------------------------------------------------------------------------------------------------------------------------------------------------------------------------------------------------------------------------------------------------------------------------------------------------------------------------------------------------------------------------------------------------------------------------------------------------------------------------------------------------------------------------------------------------------------------------------------------------------------------------------------------------------------------------------------------------------------------------------------------------------------------------------------------------------------------------------------------------------------------------------------------------------------------------------------------------------------------------------------------------------------------------------------------------------------------------------------------------------------------------------------------------------------------------------------------------------------------------------------------------------------------------------------------------------------------------------------------------------------------------------------------------------------------------------------------------------------------------------------------------------------------------------------------------|-------------------|
| Atheros AR9285 802.11 a/b/g/n 2x2 WiFi adapter | Afghanistan, Albania, Algeria, Andorra, Angola, Antigua and Barbuda, Argentina, Armenia, Aruba, Australia, Austria, Azerbaijan, Bahamas, Bahrain, Barbados, Belgium, Belize, Benin, Bermuda, Bhutan, Bosnia and Herzegovina, Botswana, Brazil, British Virgin Islands, Brunei, Bulgaria, Burkina Faso, Burundi, Cambodia, Cameroon, Cape Verde, Central African Republic, Chad, Chile, People's Republic of China, Colombia, Comoros, Congo, Costa Rica, Croatia, Cyprus, Czech Republic, Denmark, Djibouti, Dominica, Dominican Republic, East Timor, Ecuador, Egypt, El Salvador, Equatorial Guinea, Eritrea, Estonia, Ethiopia, Fiji, Finland, France, French Guiana, Gabon, Gambia, Georgia, Germany, Ghana, Gibraltar, Greece, Grenada, Guadeloupe, Guatemala, Guinea, Guinea-Bissau, Guyana, Haiti, Honduras, Hong Kong, Hungary, Iceland, India, Indonesia, Ireland, Italy, Ivory Coast, Jamaica, Japan, Jordan, Kazakhstan, Kenya, Kiribati, Kuwait, Kyrgyzstan, Laos, Latvia, Lebanon, Lesotho, Liberia, Liechtenstein, Lithuania, Luxembourg, Macedonia, Madagascar, Malawi, Malaysia, Maldives, Mali, Malta, Marshall Islands, Martinique, Mauritania, Mauritius, Mexico, Micronesia, Monaco, Mongolia, Montenegro, Morocco, Mozambique, Namibia, Nauru, Nepal, the Nether Antilles, Netherlands, New Zealand, Nicaragua, Niger, Nigeria, Norway, Oman, Palau, Panama, Papua New Guinea, Paraguay, Peru, Philippines, Poland, Portugal, Republic of Moldova, Romania, Rwanda, Samoa, San Marino, Sao Tome and Principe, Saudi Arabia, Senegal, Serbia and Montenegro, Seychelles, Sierra Leone, Singapore, Slovakia, Slovenia, Solomon Islands, Somalia, South Africa, South Korea, Spain, Sri Lanka, St. Kitts and Nevis, St. Lucia, St. Vincent and the Grenadines, Suriname, Swaziland, Sweden, Switzerland, Syria, Taiwan, Tajikistan, Tanzania, Thailand, Togo, Tonga, Trinidad and Tobago, Tunisia, Turkey, Turkmenistan, Tuvalu, Uganda, United Arab Emirates, United Kingdom, Uruguay, Uzbekistan, Vanuatu, Venezuela, Vietnam, Yemen, Zaire, Zambia, and Zimbabwe | 580101-002 |
| Intel Centrino Wireless-N 1000 802.11b/g/n 1x2 | For use in Andorra, Antigua and Barbuda, Argentina, Aruba, Australia, Austria, Azerbaijan, Bahamas, Bahrain, Barbados, Belgium, Bermuda, Bolivia, Bosnia and Herzegovina, Brazil, Brunei, Bulgaria, Canada, the Cayman Islands, Chile, People's Republic of China, Colombia, Costa Rica, Croatia, Cyprus, the Czech Republic, Denmark, the Dominican Republic, Ecuador, Egypt, El Salvador, Estonia, Finland, France, French Guiana, Georgia, Germany, Ghana, Greece, Guadeloupe, Guam, Guatemala, Haiti, Honduras, Hong Kong, Hungary, Iceland, India, Indonesia, Ireland, Israel, Italy, Ivory Coast, Jamaica, Japan, Jordan, Kenya, Kuwait, Kyrgyzstan, Latvia, Lebanon, Liechtenstein, Lithuania, Luxembourg, Malawi, Malaysia, Malta, Martinique, Mauritius, Mexico, Monaco, Montenegro, Morocco, the Nether Antilles, Netherlands, New Zealand, Nicaragua, Nigeria, Norway, Oman, Pakistan, Panama, Paraguay, Peru, Philippines, Poland, Portugal, Puerto Rico, Qatar, Romania, San Marino, Saudi Arabia, Senegal, Singapore, Slovakia, Slovenia, South Africa, South Korea, Spain, Sri Lanka, Sweden, Switzerland, Taiwan, Tanzania, Thailand, Trinidad and Tobago, Turkey, Ukraine, United Arab Emirates, United Kingdom, Uruguay, the US Virgin Islands, the United States, Venezuela, and Vietnam | 593530-001 |
| Broadcom 43224AGN 802.11a/b/g/draft-n WiFi Adapter | For use in Antigua and Barbuda, Aruba, the Bahamas, Barbados, Belize, Canada, Guam, Guinea, Haiti, Jamaica, the Nether Antilles, Puerto Rico, St. Kitts and Nevis, St. Lucia, St. Vincent and the Grenadines, Suriname, the US Virgin Islands, and the United States | 582564-001 |

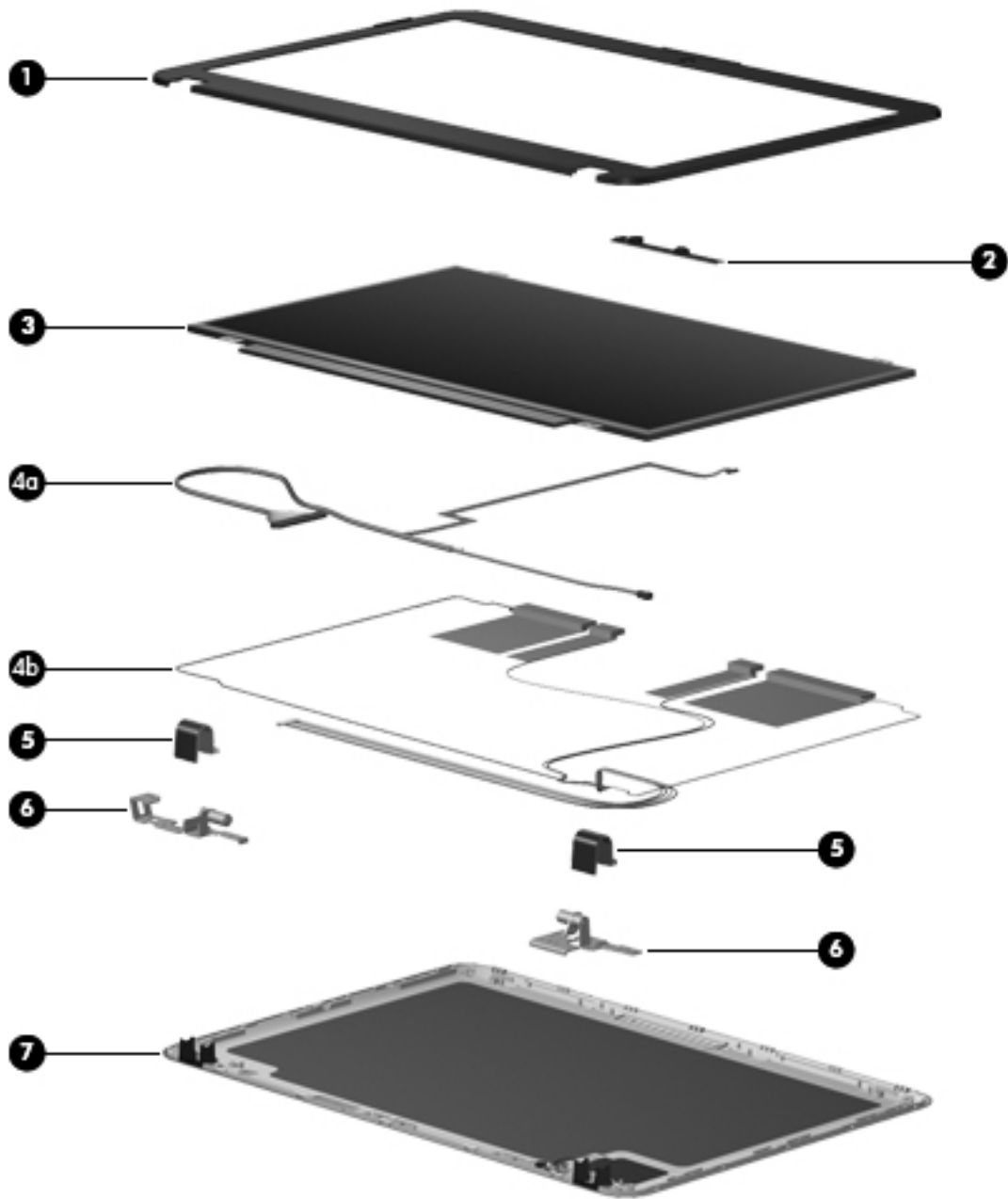
| Item | Description | Spare part number |
|-----------------------------------------------------------|--------------------------------------------------------------------------------------------------------------------------------------------------------------------------------------------------------------------------------------------------------------------------------------------------------------------------------------------------------------------------------------------------------------------------------------------------------------------------------------------------------------------------------------------------------------------------------------------------------------------------------------------------------------------------------------------------------------------------------------------------------------------------------------------------------------------------------------------------------------------------------------------------------------------------------------------------------------------------------------------------------------------------------------------------------------------------------------------------------------------------------------------------------------------------------------------------------------------------------------------------------------------------------------------------------------------------------------------------------------------------------------------------------------------------------------------------------------------------------------------------------------------------------------------------------------------------------------------------------------------------------------------------------------------------------------------------------------------------------------------------------------------------------------------------------------------------------------------------------------------------------------------------------------------------------------------------------------------------------------------------------------------------------------------------------------------------------------------------------------------------------------------------------------------------------------------------------------------------------------------------------------------------------------|-------------------|
| Broadcom 43224AGN 802.11a/b/g/draft-n WiFi Adapter | <p>For use in Albania, Algeria, Andorra, Angola, Argentina, Armenia, Australia, Austria, Azerbaijan, Bahrain, Belarus, Belgium, Benin, Bermuda, Bhutan, Bolivia, Bosnia and Herzegovina, Botswana, Brazil, the British Virgin Islands, Brunei, Bulgaria, Burkina Faso, Burundi, Cambodia, Cameroon, Cape Verde, the Cayman Islands, Central African Republic, Chad, Chile, People's Republic of China, Colombia, Comoros, Congo, Costa Rica, Croatia, Cyprus, the Czech Republic, Denmark, Djibouti, Dominica, the Dominican Republic, East Timor, Ecuador, Egypt, El Salvador, Equatorial Guinea, Eritrea, Estonia, Ethiopia, Fiji, Finland, France, French Guiana, Gabon, Gambia, Georgia, Germany, Ghana, Gibraltar, Greece, Grenada, Guadeloupe, Guatemala, Guinea, Guinea-Bissau, Honduras, Hong Kong, Hungary, Iceland, India, Ireland, Italy, Ivory Coast, Japan, Jordan, Kazakhstan, Kenya, Kiribati, Kuwait, Kyrgyzstan, Laos, Latvia, Lebanon, Lesotho, Liberia, Liechtenstein, Lithuania, Luxembourg, Macedonia, Madagascar, Malawi, Malaysia, Maldives, Mali, Malta, Marshall Islands, Martinique, Mauritania, Mauritius, Mexico, Micronesia, Monaco, Mongolia, Montenegro, Morocco, Mozambique, Namibia, Nauru, Nepal, Netherlands, New Zealand, Nicaragua, Niger, Nigeria, Norway, Oman, Palau, Panama, Papua New Guinea, Paraguay, Peru, Philippines, Poland, Portugal, Qatar, Republic of Moldova, Romania, Rwanda, Samoa, San Marino, Sao Tome and Principe, Saudi Arabia, Senegal, Serbia and Montenegro, Seychelles, Sierra Leone, Singapore, Slovakia, Slovenia, Solomon Islands, Somalia, South Africa, South Korea, Spain, Sri Lanka, Swaziland, Sweden, Switzerland, Taiwan, Tajikistan, Tanzania, Thailand, Togo, Tonga, Trinidad and Tobago, Tunisia, Turkey, Turkmenistan, Tuvalu, Uganda, United Arab Emirates, United Kingdom, Uruguay, Uzbekistan, Vanuatu, Venezuela, Vietnam, Yemen, Zaire, Zambia, and Zimbabwe</p> | 582564-002 |
| Broadcom 4313AGN 802.11a/b/g/draft-n WiFi Adapter | <p>For use in Afghanistan, Albania, Algeria, Andorra, Angola, Antigua and Barbuda, Argentina, Armenia, Aruba, Australia, Austria, Azerbaijan, Bahamas, Bahrain, Bangladesh, Barbados, Belarus, Belgium, Belize, Benin, Bermuda, Bhutan, Bolivia, Bosnia and Herzegovina, Botswana, Brazil, the British Virgin Islands, Brunei, Bulgaria, Burkina Faso, Burundi, Cambodia, Cameroon, Canada, Cape Verde, the Cayman Islands, Central African Republic, Chad, People's Republic of China, Colombia, Comoros, Congo, Costa Rica, Croatia, Cyprus, the Czech Republic, Denmark, Djibouti, Dominica, the Dominican Republic, East Timor, Ecuador, Egypt, El Salvador, Equatorial Guinea, Eritrea, Estonia, Ethiopia, Fiji, Finland, France, French Guiana, Gabon, Gambia, Georgia, Germany, Ghana, Gibraltar, Greece, Grenada, Guadeloupe, Guam, Guatemala, Guinea, Guinea-Bissau, Guyana, Haiti, Honduras, Hong Kong, Hungary, Iceland, India, Iraq, Ireland, Israel, Italy, Ivory Coast, Jamaica, Japan, Jordan, Kazakhstan, Kenya, Kiribati, Kuwait, Kyrgyzstan, Laos, Latvia, Lebanon, Lesotho, Liberia, Martinique, Liechtenstein, Lithuania, Luxembourg, Macedonia, Madagascar, Malawi, Malaysia, Maldives, Mali, Malta, Marshall Islands, Mauritania, Mauritius, Mexico, Micronesia, Monaco, Mongolia, Montenegro, Morocco, Mozambique, Namibia, Nauru, Nepal, the Nether Antilles, the Netherlands, New Zealand, Nicaragua, Niger, Nigeria, Norway, Oman, Pakistan, Palau, Panama, Papua New Guinea, Paraguay, Puerto Rico, Peru, Philippines, Poland, Portugal, Qatar, Republic of Moldova, Romania, Russia, Rwanda, Samoa, San Marino, Sao Tome and Principe, Saudi Arabia, Senegal, Serbia and Montenegro, Seychelles, Sierra Leone, Singapore, Slovakia, Slovenia, Solomon Islands, Somalia, South Africa, South Korea, Spain, Sri Lanka, St. Kitts and Nevis, St. Lucia, St. Vincent and the Grenadines, Suriname, Swaziland, Sweden, Switzerland, Syria, Taiwan, Tajikistan, Tanzania, Thailand, Togo, Tonga, Trinidad and Tobago, Tunisia, Turkey, Turkmenistan, Tuvalu, Uganda, Ukraine, the United Arab Emirates, the United Kingdom, Uruguay, the United States, the US Virgin Islands, Uzbekistan, Vanuatu, Venezuela, Vietnam, Yemen, Zaire, Zambia, and Zimbabwe</p> | 593836-001 |

| Item | Description | Spare part number |
|------|---------------------------------------------------------------------------------------------------------------------------------------------------------------------------------------------------------------------------------------------------------------------------------------------------------------------------------------------------------------------------------------------------------------------------------------------------------------------------------------------------------------------------------------------------------------------------------------------------------------------------------------------------------------------------------------------------------------------------------------------------------------------------------------------------------------------------------------------------------------------------------------------------------------------------------------------------------------------------------------------------------------------------------------------------------------------------------------------------------------------------------------------------------------------------------------------------------------------------------------------------------------------------------------------------------------------------------------------------------------------------------------------------------------------------------------------------------------------------------------------------------------------------------------------------------------------------------------------------------------------------------------------------------------------------------------------------------------------------------------------------------------------------------------------------------------------------------------------------------------------------------------------------------------------------------------------------------------------------------------------------------------------------------------------------------------------------------------------------------------------------------------------------------------------------------------------------------------------------------------------------------------------------------------------|-------------------|
| | Broadcom 4313 802.11b/g/n 1x1 WiFi and 2070 Bluetooth 2.1+EDR Combo Adapter | 600370-001 |
| | <p>For use in Afghanistan, Albania, Algeria, Andorra, Angola, Antigua and Barbuda, Argentina, Armenia, Aruba, Australia, Austria, Azerbaijan, Bahamas, Bahrain, Bangladesh, Barbados, Belarus, Belgium, Belize, Benin, Bermuda, Bhutan, Bolivia, Bosnia and Herzegovina, Botswana, Brazil, the British Virgin Islands, Brunei, Bulgaria, Burkina Faso, Burundi, Cambodia, Cameroon, Canada, Cape Verde, the Cayman Islands, Central African Republic, Chad, Chile, the People's Republic of China, Colombia, Comoros, Congo, Costa Rica, Croatia, Cyprus, Czech Republic, Denmark, Djibouti, Dominica, the Dominican Republic, East Timor, Ecuador, Egypt, El Salvador, Equatorial Guinea, Eritrea, Estonia, Ethiopia, Fiji, Finland, France, French Guiana, Gabon, Gambia, Georgia, Germany, Ghana, Gibraltar, Greece, Grenada, Guadeloupe, Guam, Guatemala, Guinea, Guinea-Bissa, Guyana, Haiti, Honduras, Hong Kong, Hungary, Iceland, India, Indonesia, Iraq, Ireland, Israel, Italy, Ivory Coast, Jamaica, Japan, Jordan, Kazakhstan, Kenya, Kiribati, Kuwait, Kyrgyzstan, Laos, Latvia, Lebanon, Lesotho, Liberia, Liechtenstein, Lithuania, Luxembourg, Macedonia, Madagascar, Malawi, Malaysia, Maldives, Mali, Malta, Marshall Islands, Martinique, Mauritania, Mauritius, Mexico, Micronesia, Monaco, Mongolia, Montenegro, Morocco, Mozambique, Namibia, Nauru, Nepal, the Nether Antilles, the Netherlands, New Zealand, Nicaragua, Niger, Nigeria, Norway, Oman, Pakistan, Palau, Panama, Papua New Guinea, Paraguay, Peru, Philippines, Poland, Portugal, Puerto Rico, Qatar, the Republic of Moldova, Romania, Russia, Rwanda, Samoa, San Marino, Sao Tome and Principe, Saudi Arabia, Senegal, Serbia and Montenegro, Seychelles, Sierra Leone, Singapore, Slovakia, Slovenia, Solomon Islands, Somalia, South Africa, South Korea, Sri Lanka, St. Kitts and Nevis, St. Lucia, St. Vincent and the Grenadines, Suriname, Swaziland, Sweden, Switzerland, Taiwan, Tajikistan, Tanzania, Thailand, Togo, Tonga, Trinidad and Tobago, Tunisia, Turkey, Turkmenistan, Tuvalu, Uganda, Ukraine, the United Arab Emirates, the United Kingdom, the United States, Uruguay, the US Virgin Islands, Uzbekistan, Vanuatu, Venezuela, Vietnam, Yemen, Zaire, Zambia, and Zimbabwe</p> | |

| Item | Description | Spare part number |
|-------------|-----------------------------------------------------------------------------------------------------------------------------------------------------------------------------------------------------------------------------------------------------------------------------------------------------------------------------------------------------------------------------------------------------------------------------------------------------------------------------------------------------------------------------------------------------------------------------------------------------------------------------------------------------------------------------------------------------------------------------------------------------------------------------------------------------------------------------------------------------------------------------------------------------------------------------------------------------------------------------------------------------------------------------------------------------------------------------------------------------------------------------------------------------------------------------------------------------------------------------------------------------------------------------------------------------------------------------------------------------------------------------------------------------------------------------------------------------------------------------------------------------------------------------------------------------------------------------------------------------------------------------------------------------------------------------------------------------------------------------------------------------------------------------------------------------------------------------------------------------------------------------------------------------------------------------------------------------------------------------------------------------------------------------------------------------------------------------------------------------------------------------------------------------------------------------------------------------------------------------------------------------------------------------------|-------------------|
| | Realink RT3090BC4 802.11b/g/n 1x1 WiFi and Bluetooth 2.1+EDR Combo Adapter | 602992-001 |
| | For use in Afghanistan, Albania, Algeria, Andorra, Angola, Antigua and Barbuda, Argentina, Armenia, Aruba, Australia, Austria, Azerbaijan, Bahamas, Bahrain, Barbados, Belarus, Belgium, Belize, Benin, Bermuda, Bhutan, Bolivia, Bosnia and Herzegovina, Botswana, Brazil, British Virgin Islands, Brunei, Bulgaria, Burkina Faso, Burundi, Cambodia, Cameroon, Canada, Cape Verde, the Cayman Islands, Central African Republic, Chad, Chile, the People's Republic of China, Colombia, Comoros, Congo, Costa Rica, Croatia, Cyprus, the Czech Republic, Denmark, Djibouti, Dominica, the Dominican Republic, East Timor, Ecuador, Egypt, El Salvador, Equatorial Guinea, Eritrea, Estonia, Ethiopia, Fiji, Finland, France, French Guiana, Gabon, Gambia, Georgia, Germany, Ghana, Gibraltar, Greece, Grenada, Guadeloupe, Guam, Guatemala, Guinea, Guinea-Bissa, Guyana, Haiti, Honduras, Hong Kong, Hungary, Iceland, India, Indonesia, Ireland, Israel, Italy, Ivory Coast, Jamaica, Japan, Jordan, Kazakhstan, Kenya, Kiribati, Kuwait, Kyrgyzstan, Laos, Latvia, Lebanon, Lesotho, Liberia, Liechtenstein, Lithuania, Luxembourg, Macedonia, Madagascar, Malawi, Malaysia, Maldives, Mali, Malta, the Marshall Islands, Martinique, Mauritania, Mauritius, Mexico, Micronesia, Monaco, Mongolia, Montenegro, Morocco, Mozambique, Namibia, Nauru, Nepal, the Nether Antilles, the Netherlands, New Zealand, Nicaragua, Niger, Nigeria, Norway, Oman, Pakistan, Palau, Panama, Papua New Guinea, Paraguay, Peru, the Philippines, Poland, Portugal, Puerto Rico, the Republic of Moldova, Romania, Russia, Rwanda, Samoa, San Marino, Sao Tome and Principe, Saudi Arabia, Senegal, Serbia and Montenegro, Seychelles, Sierra Leone, Singapore, Slovakia, Slovenia, the Solomon Islands, Somalia, South Africa, South Korea, Spain, Sri Lanka, St. Kitts and Nevis, St. Lucia, St. Vincent and Grenadines, Suriname, Swaziland, Sweden, Switzerland, Syria, Taiwan, Tajikistan, Tanzania, Thailand, Togo, Tonga, Trinidad and Tobago, Tunisia, Turkey, Turkmenistan, Tuvalu, Uganda, Ukraine, the United Arab Emirates, the United Kingdom, Uruguay, the US Virgin Islands, the United States, Uzbekistan, Vanuatu, Venezuela, Vietnam, Yemen, Zaire, Zambia, and Zimbabwe | |
| | Intel® Centrino® Advanced-N + WiMAX 6250 | 619997-001 |
| | Intel® Centrino® Advanced-N + WiMAX 6250 for use in the United States | |
| (15) | Memory modules (PC3-10600, 1333-MHz) | |
| | 4096-MB | 599092-001 |
| | 2048-MB | 598856-001 |
| | 1024-MB | 598859-001 |
| (16) | Battery | |
| | 9-cell, 93-WH (2.80-Ah) Li-ion | 593550-001 |
| | 6-cell, 62-WH (2.80-Ah) Li-ion | 593562-001 |
| | 6-cell, 55-WH (2.55-Ah) Li-ion | 593554-001 |
| (17) | Base enclosure (includes modem cable and optical drive cable) | 608223-001 |
| (18) | Hard drive (includes hard drive bracket) | |
| | NOTE: The hard drive cable is included in the Misc Cable Kit, spare part number 608227-001. | |
| | 750-GB, 5400 RPM (replaces 622394-001) | 603787-001 |
| | 750-GB, 5400 RPM (replaced by 603787-001) | 622394-001 |
| | 750-GB, 7200 RPM | 633252-001 |

| Item | Description | Spare part number |
|-------------|------------------------------------------------------------------|--------------------------|
| | 640-GB, 5400 RPM (replaces 608219-001) | 603785-001 |
| | 640-GB, 5400 RPM (replaced by 603785-001) | 608219-001 |
| | 640-GB, 7200 RPM | 621046-001 |
| | 500-GB, 7200 RPM | 608218-001 |
| | 320-GB, 7200 RPM | 608217-001 |
| | 250-GB, 7200 RPM | 608216-001 |
| | 160-GB solid-state drive | 608215-001 |
| (19) | DVD±RW SuperMulti DL Drive (12.7 mm optical drive, fixed) | 608221-001 |

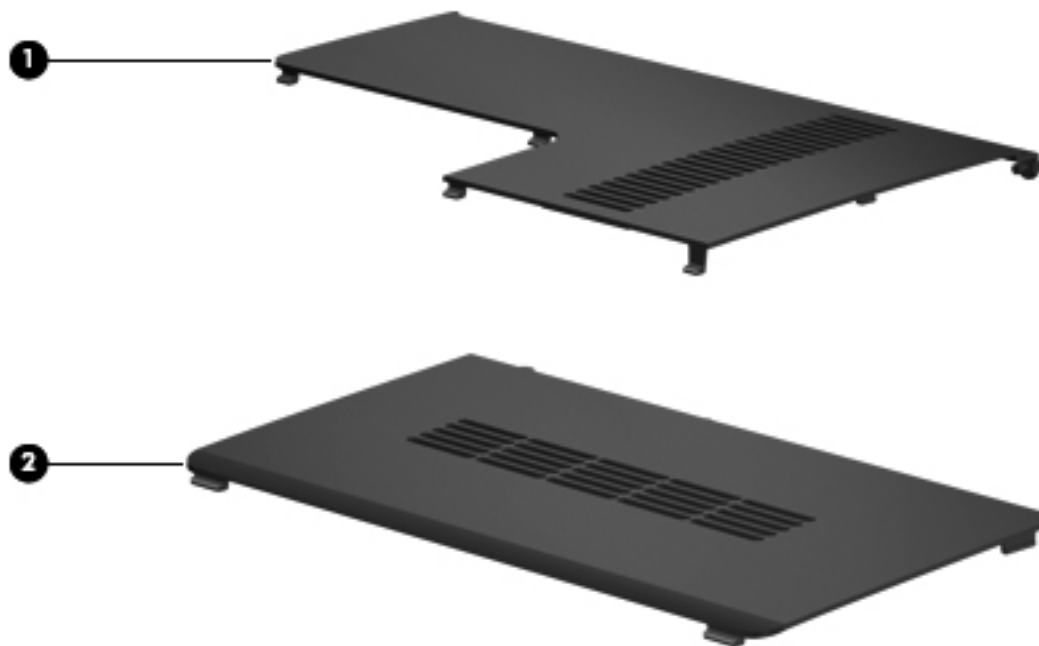
Display assembly components



| Item | Description | Spare part number |
|------|--------------------------------------------------------------------------------------------------------------|-------------------|
| (1) | Display bezel | 608209-001 |
| (2) | Webcam module | 615744-001 |
| (3) | Display panel , Brightview, high-definition, 35.56 cm (14.0-in) (includes display panel cable) | |
| | For use in models without WWAN | 608206-001 |
| | For use in models with WWAN | 613666-001 |

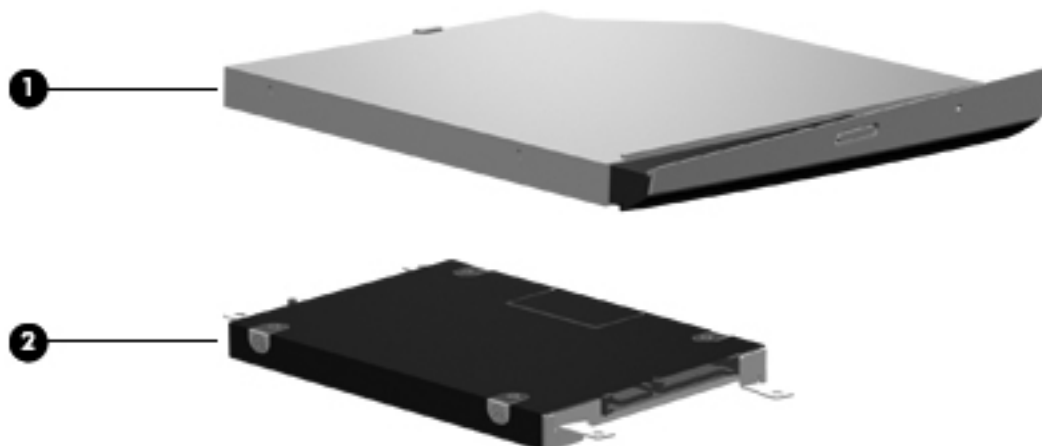
| Item | Description | Spare part number |
|------|------------------------------------------------------------------------------|-------------------|
| (3) | Display hinge cover | 608210-001 |
| (4a) | Webcam cable | |
| (4b) | Antennas and cables | |
| (5) | Display hinge cover | 608210-001 |
| (6) | Display bracket | 608214-001 |
| (7) | Display back cover | 608208-001 |
| | Display Screw Kit (not illustrated; includes screws and screw covers) | 608212-001 |
| | Display cable kit (not illustrated) | 608211-001 |
| | Display cable kit for models equipped with WWAN (not illustrated) | 630284-001 |

Plastics Kit



| Item | Description | Spare part number |
|------|-----------------------------------------------------------------------------|-------------------|
| | Plastics kit | 608233-001 |
| (1) | Wireless/memory module mini-card compartment cover (includes captive screw) | |
| (2) | Hard drive bay cover (includes captive screws) | |

Mass storage devices



| Item | Description | Spare part number |
|------|----------------------------------------------------------------------------------------------------|-------------------|
| (1) | Optical drive (12.7 mm, SATA, fixed) | |
| | DVD±RW SuperMulti DL Drive | 608221-001 |
| (2) | Hard drive (include hard drive bracket) | |
| | NOTE: The hard drive cable is included in the Misc Cable Kit, spare part number 608227-001. | |
| | 750-GB, 5400 RPM (replaces 622394-001) | 603787-001 |
| | 750-GB, 5400 RPM (replaced by 603787-001) | 622394-001 |
| | 750-GB, 7200 RPM | 633252-001 |
| | 640-GB, 7200 RPM | 621046-001 |
| | 640-GB, 5400 RPM (replaces 608219-001) | 603785-001 |
| | 640-GB, 5400 RPM (replaced by 603785-001) | 608219-001 |
| | 500-GB, 7200 RPM | 608218-001 |
| | 320-GB, 7200 RPM | 608217-001 |
| | 250-GB, 7200 RPM | 608216-001 |
| | 160-GB solid-state drive | 608215-001 |

Miscellaneous parts

| Description | Spare part number |
|----------------------------------------------------------------------|-------------------|
| AC adapters | |
| 90-W Smart AC adapter with power factor correction (PFC), RC/V 3W | 613153-001 |
| 90-W AC adapter with power factor correction (PFC), RC/V EM 3W | 613160-001 |
| 65-W Smart AC adapter, RC/V 3W | 613152-001 |
| 65-W Smart AC adapter with power factor correction (PFC), RC/V EM 3W | 613161-001 |
| Power cord, AC, 3 wire, black, 1.83-m | |
| For use in Argentina | 490371-D01 |
| For use in Australia | 490371-011 |
| For use in Brazil | 490371-202 |
| For use in the People's Republic of China | 490371-AA1 |
| For use in Denmark | 490371-081 |
| For use in Europe, the Middle East, and Africa | 490371-021 |
| For use in India | 490371-D61 |
| For use in Italy | 490371-061 |
| For use in Japan | 490371-291 |
| For use in North America | 490371-001 |
| For use in South Korea | 490371-AD1 |
| For use in Switzerland | 490371-111 |
| For use in Taiwan | 490371-AB1 |
| For use in Thailand | 490371-201 |
| For use in the United Kingdom and Singapore | 490371-031 |
| Thermal pad kit | 634366-001 |
| RTC battery | 449137-001 |

| Description | Spare part number |
|--------------------------------------------------------------------------------------------------------------------------------------------------------------------------------------------------------------------------------------------------------------------------------------------------------------------------------------------|--------------------------|
| Rubber feet | 608228-001 |
| Screw Kit | 608234-001 |
| <ul style="list-style-type: none"> • Phillips M2.0x2.0 broadhead screw • Phillips M2.0x3.0 screw • Phillips M2.0x4.0 screw • Phillips M2.0x5.0 screw • Phillips M2.5x5.0 screw • Phillips M2.5x6.5 screw • Phillips M2.5x7.0 screw • Phillips M3.0x3.0 screw | |

Sequential part number listing

| Spare part number | Description |
|--------------------------|--------------------------------------------------------------------------------------|
| 449137-001 | RTC battery |
| 490371-001 | Power cord, AC, 3-pin, black, 1.83-m, for use in North America |
| 490371-011 | Power cord, AC, 3-pin, black, 1.83-m, for use in Australia |
| 490371-021 | Power cord, AC, 3-pin, black, 1.83-m, for use in Europe, the Middle East, and Africa |
| 490371-031 | Power cord, AC, 3-pin, black, 1.83-m, for use in the United Kingdom and Singapore |
| 490371-061 | Power cord, AC, 3-pin, black, 1.83-m, for use in Italy |
| 490371-081 | Power cord, AC, 3-pin, black, 1.83-m, for use in Denmark |
| 490371-111 | Power cord, AC, 3-pin, black, 1.83-m, for use in Switzerland |
| 490371-201 | Power cord, AC, 3-pin, black, 1.83-m, for use in Thailand |
| 490371-202 | Power cord, AC, 3-pin, black, 1.83-m, for use in Brazil |
| 490371-291 | Power cord, AC, 3-pin, black, 1.83-m, for use in Japan |
| 490371-AA1 | Power cord, AC, 3-pin, black, 1.83-m, for use in the People's Republic of China |
| 490371-AB1 | Power cord, AC, 3-pin, black, 1.83-m, for use in Taiwan |
| 490371-AD1 | Power cord, AC, 3-pin, black, 1.83-m, for use in South Korea |
| 490371-D01 | Power cord, AC, 3-pin, black, 1.83-m, for use in Argentina |
| 490371-D61 | Power cord, AC, 3-pin, black, 1.83-m, for use in India |
| 531993-001 | HP un2420 Broadband Module (WWAN) |
| 537921-001 | Bluetooth module without cable |

| Spare part number | Description |
|--------------------------|---------------------------------------------------------------------------------------------------------------------------------------------------------------------------------------------------------------------------------------------------------------------------------------------------------------------------------------------------------------------------------------------------------------------------------------------------------------------------------------------------------------------------------------------------------------------------------------------------------------------------------------------------------------------------------------------------------------------------------------------------------------------------------------------------------------------------------------------------------------------------------------------------------------------------------------------------------------------------------------------------------------------------------------------------------------------------------------------------------------------------------------------------------------------------------------------------------------------------------------------------------------------------------------------------------------------------------------------------------------------------------------------------------------------------------------------------------------------------------------------------------------------------------------------------------------------------------------------------------------------------------------------------------------------------------------------------------------------------------------------------------------------------------------------------------------------------------------------------------------------------------------------------------------------------------------------------------------------------------------------------------------------------------------------------------------------------------------------------------------------------------------------------|
| 580101-001 | Atheros AR9285 802.11 a/b/g/n 2x2 WiFi adapter for use in Canada, the Cayman Islands, Guam, Puerto Rico, the United States, and the US Virgin Islands |
| 580101-002 | Atheros AR9285 802.11 a/b/g/n 2x2 WiFi adapter for use in Afghanistan, Albania, Algeria, Andorra, Angola, Antigua and Barbuda, Argentinian, Armenia, Aruba, Australia, Austria, Azerbaijan, Bahamas, Bahrain, Barbados, Belgium, Belize, Benin, Bermuda, Bhutan, Bosnia and Herzegovina, Botswana, Brazil, British Virgin Islands, Brunei, Bulgaria, Burkina Faso, Burundi, Cambodia, Cameroon, Cape Verde, Central African Republic, Chad, Chile, People's Republic of China, Colombia, Comoros, Congo, Costa Rica, Croatia, Cyprus, Czech Republic, Denmark, Djibouti, Dominica, Dominican Republic, East Timor, Ecuador, Egypt, El Salvador, Equatorial Guinea, Eritrea, Estonia, Ethiopia, Fiji, Finland, France, French Guiana, Gabon, Gambia, Georgia, Germany, Ghana, Gibraltar, Greece, Grenada, Guadeloupe, Guatemala, Guinea, Guinea-Bissau, Guyana, Haiti, Honduras, Hong Kong, Hungary, Iceland, India, Indonesia, Ireland, Italy, Ivory Coast, Jamaica, Japan, Jordan, Kazakhstan, Kenya, Kiribati, Kuwait, Kyrgyzstan, Laos, Latvia, Lebanon, Lesotho, Liberia, Liechtenstein, Lithuania, Luxembourg, Macedonia, Madagascar, Malawi, Malaysia, Maldives, Mali, Malta, Marshall Islands, Martinique, Mauritania, Mauritius, Mexico, Micronesia, Monaco, Mongolia, Montenegro, Morocco, Mozambique, Namibia, Nauru, Nepal, the Nether Antilles, Netherlands, New Zealand, Nicaragua, Niger, Nigeria, Norway, Oman, Palau, Panama, Papua New Guinea, Paraguay, Peru, Philippines, Poland, Portugal, Republic of Moldova, Romania, Rwanda, Samoa, San Marino, Sao Tome and Principe, Saudi Arabia, Senegal, Serbia and Montenegro, Seychelles, Sierra Leone, Singapore, Slovakia, Slovenia, Solomon Islands, Somalia, South Africa, South Korea, Spain, Sri Lanka, St. Kitts and Nevis, St. Lucia, St. Vincent and the Grenadines, Suriname, Swaziland, Sweden, Switzerland, Syria, Taiwan, Tajikistan, Tanzania, Thailand, Togo, Tonga, Trinidad and Tobago, Tunisia, Turkey, Turkmenistan, Tuvalu, Uganda, United Arab Emirates, United Kingdom, Uruguay, Uzbekistan, Vanuatu, Venezuela, Vietnam, Yemen, Zaire, Zambia, and Zimbabwe |
| 582564-001 | Broadcom 43224AGN 802.11a/b/g/draft-n WiFi Adapter for use in Antigua and Barbuda, Aruba, the Bahamas, Barbados, Belize, Canada, Guam, Guinea, Haiti, Jamaica, the Nether Antilles, Puerto Rico, St. Kitts and Nevis, St. Lucia, St. Vincent and the Grenadines, Suriname, the US Virgin Islands, and the United States |
| 582564-002 | Broadcom 43224AGN 802.11a/b/g/draft-n WiFi Adapter for use in Albania, Algeria, Andorra, Angola, Argentina, Armenia, Australia, Austria, Azerbaijan, Bahrain, Belarus, Belgium, Benin, Bermuda, Bhutan, Bolivia, Bosnia and Herzegovina, Botswana, Brazil, the British Virgin Islands, Brunei, Bulgaria, Burkina Faso, Burundi, Cambodia, Cameroon, Cape Verde, the Cayman Islands, Central African Republic, Chad, Chile, People's Republic of China, Colombia, Comoros, Congo, Costa Rica, Croatia, Cyprus, the Czech Republic, Denmark, Djibouti, Dominica, the Dominican Republic, East Timor, Ecuador, Egypt, El Salvador, Equatorial Guinea, Eritrea, Estonia, Ethiopia, Fiji Finland, France, French Guiana, Gabon, Gambia, Georgia, Germany, Ghana, Gibraltar, Greece, Grenada, Guadeloupe, Guatemala, Guinea, Guinea-Bissa, Honduras, Hong Kong, Hungary, Iceland, India, Ireland, Italy, Ivory Coast, Japan, Jordan, Kazakhstan, Kenya, Kiribati, Kuwait, Kyrgyzstan, Laos, Latvia, Lebanon, Lesotho, Liberia, Liechtenstein, Lithuania, Luxembourg, Macedonia, Madagascar, Malawi, Malaysia Maldives, Mali, Malta, Marshall Islands, Martinique, Mauritania, Mauritius, Mexico, Micronesia, Monaco, Mongolia, Montenegro, Morocco, Mozambique, Namibia, Nauru, Nepal, Netherlands, New Zealand, Nicaragua, Niger, Nigeria, Norway, Oman, Palau, Panama, Papua New Guinea, Paraguay, Peru, Philippines, Poland, Portugal, Qatar, Republic of Moldova, Romania, Rwanda, Samoa, San Marino, Sao Tome and Principe, Saudi Arabia, Senegal, Serbia and Montenegro, Seychelles, Sierra Leone, Singapore, Slovakia, Slovenia, Solomon Islands, Somalia, South Africa, South Korea, Spain, Sri Lanka, Swaziland, Sweden, Switzerland, Taiwan, Tajikistan, Tanzania, Thailand, Togo, Tonga, Trinidad and Tobago, Tunisia, Turkey, Turkmenistan, Tuvalu, Uganda, United Arab Emirates, United Kingdom, Uruguay, Uzbekistan, Vanuatu, Venezuela, Vietnam, Yemen, Zaire, Zambia, and Zimbabwe |
| 587259-001 | Intel Core i7 620M Dual Core processor, 2.26-GHz (SC turbo up to 3.33-GHz), 4-MB L3 cache) |

| Spare part number | Description |
|--------------------------|--------------------------------------------------------------------------------------------------------------------------------------------------------------------------------------------------------------------------------------------------------------------------------------------------------------------------------------------------------------------------------------------------------------------------------------------------------------------------------------------------------------------------------------------------------------------------------------------------------------------------------------------------------------------------------------------------------------------------------------------------------------------------------------------------------------------------------------------------------------------------------------------------------------------------------------------------------------------------------------------------------------------------------------------------------------------------------------------------------------------------------------------------------------------------------------------------------------------------------------------------------------------------------------------------------------------------------------------------------------------------------------------------------------------------------------------------------------------------------------------------------------------------------------------------------------------------------------------------------------------------------------------------------------------------------------------------------------------------------------------------------------------------------------------------------------------------------------------------------------------------------------------------------------------------------------------------------------------------------------------------------------------------------------------------------------------------------------------------------------------------------------------------------------------------------------------------------------------------------------------------------------------------------------------------------------------------------|
| 593530-001 | Intel Centrino Wireless-N 1000 802.11b/g/n 1x2 for use in Andorra, Antigua and Barbuda, Argentina, Aruba, Australia, Austria, Azerbaijan, Bahamas, Bahrain, Barbados, Belgium, Bermuda, Bolivia, Bosnia and Herzegovina, Brazil, Brunei, Bulgaria, Canada, the Cayman Islands, Chile, People's Republic of China, Colombia, Costa Rica, Croatia, Cyprus, the Czech Republic, Denmark, the Dominican Republic, Ecuador, Egypt, El Salvador, Estonia, Finland, France, French Guiana, Georgia, Germany, Ghana, Greece, Guadeloupe, Guam, Guatemala, Haiti, Honduras, Hong Kong, Hungary, Iceland, India, Indonesia, Ireland, Israel, Italy, Ivory Coast, Jamaica, Japan, Jordan, Kenya, Kuwait, Kyrgyzstan, Latvia, Lebanon, Liechtenstein, Lithuania, Luxembourg, Malawi, Malaysia, Malta, Martinique, Mauritius, Mexico, Monaco, Montenegro, Morocco, the Nether Antilles, Netherlands, New Zealand, Nicaragua, Nigeria, Norway, Oman, Pakistan, Panama, Paraguay, Peru, Philippines, Poland, Portugal, Puerto Rico, Qatar, Romania, San Marino, Saudi Arabia, Senegal, Singapore, Slovakia, Slovenia, South Africa, South Korea, Spain, Sri Lanka, Sweden, Switzerland, Taiwan, Tanzania, Thailand, Trinidad and Tobago, Turkey, Ukraine, United Arab Emirates, United Kingdom, Uruguay, the US Virgin Islands, the United States, Venezuela, and Vietnam |
| 593550-001 | 9-cell, 93-WH (2.80-Ah) Li-ion battery |
| 593562-001 | 6-cell 62-WH (2.80-Ah) Li-ion battery |
| 593554-001 | 6-cell 55-WH (2.55Ah) Li-ion battery |
| 593836-001 | Broadcom 4313AGN 802.11a/b/g/draft-n WiFi Adapter for use in Afghanistan, Albania, Algeria, Andorra, Angola, Antigua and Barbuda, Argentina, Armenia, Aruba, Australia, Austria, Azerbaijan, Bahamas, Bahrain, Bangladesh, Barbados, Belarus, Belgium, Belize, Benin, Bermuda, Bhutan, Bolivia, Bosnia and Herzegovina, Botswana, Brazil, the British Virgin Islands, Brunei, Bulgaria, Burkina Faso, Burundi, Cambodia, Cameroon, Canada, Cape Verde, the Cayman Islands, Central African Republic, Chad, People's Republic of China, Colombia, Comoros, Congo, Costa Rica, Croatia, Cyprus, the Czech Republic, Denmark, Djibouti, Dominica, the Dominican Republic, East Timor, Ecuador, Egypt, El Salvador, Equatorial Guinea, Eritrea, Estonia, Ethiopia, Fiji, Finland, France, French Guiana, Gabon, Gambia, Georgia, Germany, Ghana, Gibraltar, Greece, Grenada, Guadeloupe, Guam, Guatemala, Guinea, Guinea-Bissa, Guyana, Haiti, Honduras, Hong Kong, Hungary, Iceland, India, Iraq, Ireland, Israel, Italy, Ivory Coast, Jamaica, Japan, Jordan, Kazakhstan, Kenya, Kiribati, Kuwait, Kyrgyzstan, Laos, Latvia, Lebanon, Lesotho, Liberia, Martinique, Liechtenstein, Lithuania, Luxembourg, Macedonia, Madagascar, Malawi, Malaysia, Maldives, Mali, Malta, Marshall Islands, Mauritania, Mauritius, Mexico, Micronesia, Monaco, Mongolia, Montenegro, Morocco, Mozambique, Namibia, Nauru, Nepal, the Nether Antilles, the Netherlands, New Zealand, Nicaragua, Niger, Nigeria, Norway, Oman, Pakistan, Palau, Panama, Papua New Guinea, Paraguay, Puerto Rico, Peru, Philippines, Poland, Portugal, Qatar, Republic of Moldova, Romania, Russia, Rwanda, Samoa, San Marino, Sao Tome and Principe, Saudi Arabia, Senegal, Serbia and Montenegro, Seychelles, Sierra Leone, Singapore, Slovakia, Slovenia, Solomon Islands, Somalia, South Africa, South Korea, Spain, Sri Lanka, St. Kitts and Nevis, St. Lucia, St. Vincent and the Grenadines, Suriname, Swaziland, Sweden, Switzerland, Syria, Taiwan, Tajikistan, Tanzania, Thailand, Togo, Tonga, Trinidad and Tobago, Tunisia, Turkey, Turkmenistan, Tuvalu, Uganda, Ukraine, the United Arab Emirates, the United Kingdom, Uruguay, the United States, the US Virgin Islands, Uzbekistan, Vanuatu, Venezuela, Vietnam, Yemen, Zaire, Zambia, and Zimbabwe |
| 594187-001 | Intel Core i5 520M Dual Core processor, 2.40-GHz (SC turbo up to 2.93-GHz), 3-MB L3 cache) |
| 594188-001 | Intel Core i5 540M Dual Core processor, 2.53-GHz (SC turbo up to 3.06-GHz), 3-MB L3 cache) |
| 597624-001 | Intel Core i5 430M Dual Core processor (2.26-GHz, 3-MB L3 cache) |
| 598856-001 | Memory module, 2048-MB, PC3 10600, 1333-MHz |
| 598859-001 | Memory module, 1024-MB, PC3 10600, 1333-MHz |
| 599092-001 | Memory module, 4096-MB, PC3 10600, 1333-MHz |

| Spare part number | Description |
|--------------------------|------------------------------------------------------------------------------------------------------------------------------------------------------------------------------------------------------------------------------------------------------------------------------------------------------------------------------------------------------------------------------------------------------------------------------------------------------------------------------------------------------------------------------------------------------------------------------------------------------------------------------------------------------------------------------------------------------------------------------------------------------------------------------------------------------------------------------------------------------------------------------------------------------------------------------------------------------------------------------------------------------------------------------------------------------------------------------------------------------------------------------------------------------------------------------------------------------------------------------------------------------------------------------------------------------------------------------------------------------------------------------------------------------------------------------------------------------------------------------------------------------------------------------------------------------------------------------------------------------------------------------------------------------------------------------------------------------------------------------------------------------------------------------------------------------------------------------------------------------------------------------------------------------------------------------------------------------------------------------------------------------------------------------------------------------------------------------------------------------------------------------------------------------------------------------------------------------------------------------------------------------------------------------------------------------------------------------------------------------------------|
| 600370-001 | Broadcom 4313 802.11b/g/n 1x1 WiFi and 2070 Bluetooth 2.1+EDR Combo Adapter for use in Afghanistan, Albania, Algeria, Andorra, Angola, Antigua and Barbuda, Argentina, Armenia, Aruba, Australia, Austria, Azerbaijan, Bahamas, Bahrain, Bangladesh, Barbados, Belarus, Belgium, Belize, Benin, Bermuda, Bhutan, Bolivia, Bosnia and Herzegovina, Botswana, Brazil, the British Virgin Islands, Brunei, Bulgaria, Burkina Faso, Burundi, Cambodia, Cameroon, Canada, Cape Verde, the Cayman Islands, Central African Republic, Chad, Chile, the People's Republic of China, Colombia, Comoros, Congo, Costa Rica, Croatia, Cyprus, Czech Republic, Denmark, Djibouti, Dominica, the Dominican Republic, East Timor, Ecuador, Egypt, El Salvador, Equatorial Guinea, Eritrea, Estonia, Ethiopia, Fiji, Finland, France, French Guiana, Gabon, Gambia, Georgia, Germany, Ghana, Gibraltar, Greece, Grenada, Guadeloupe, Guam, Guatemala, Guinea, Guinea-Bissa, Guyana, Haiti, Honduras, Hong Kong, Hungary, Iceland, India, Indonesia, Iraq, Ireland, Israel, Italy, Ivory Coast, Jamaica, Japan, Jordan, Kazakhstan, Kenya, Kiribati, Kuwait, Kyrgyzstan, Laos, Latvia, Lebanon, Lesotho, Liberia, Liechtenstein, Lithuania, Luxembourg, Macedonia, Madagascar, Malawi, Malaysia, Maldives, Mali, Malta, Marshall Islands, Martinique, Mauritania, Mauritius, Mexico, Micronesia, Monaco, Mongolia, Montenegro, Morocco, Mozambique, Namibia, Nauru, Nepal, the Nether Antilles, the Netherlands, New Zealand, Nicaragua, Niger, Nigeria, Norway, Oman, Pakistan, Palau, Panama, Papua New Guinea, Paraguay, Peru, Philippines, Poland, Portugal, Puerto Rico, Qatar, the Republic of Moldova, Romania, Russia, Rwanda, Samoa, San Marino, Sao Tome and Principe, Saudi Arabia, Senegal, Serbia and Montenegro, Seychelles, Sierra Leone, Singapore, Slovakia, Slovenia, Solomon Islands, Somalia, South Africa, South Korea, Sri Lanka, St. Kitts and Nevis, St. Lucia, St. Vincent and the Grenadines, Suriname, Swaziland, Sweden, Switzerland, Taiwan, Tajikistan, Tanzania, Thailand, Togo, Tonga, Trinidad and Tobago, Tunisia, Turkey, Turkmenistan, Tuvalu, Uganda, Ukraine, the United Arab Emirates, the United Kingdom, the United States, Uruguay, the US Virgin Islands, Uzbekistan, Vanuatu, Venezuela, Vietnam, Yemen, Zaire, Zambia, and Zimbabwe |
| 602992-001 | Realink RT3090BC4 802.11b/g/n 1x1 WiFi and Bluetooth 2.1+EDR Combo Adapter for use in Afghanistan, Albania, Algeria, Andorra, Angola, Antigua and Barbuda, Argentina, Armenia, Aruba, Australia, Austria, Azerbaijan, Bahamas, Bahrain, Barbados, Belarus, Belgium, Belize, Benin, Bermuda, Bhutan, Bolivia, Bosnia and Herzegovina, Botswana, Brazil, British Virgin Islands, Brunei, Bulgaria, Burkina Faso, Burundi, Cambodia, Cameroon, Canada, Cape Verde, the Cayman Islands, Central African Republic, Chad, Chile, the People's Republic of China, Colombia, Comoros, Congo, Costa Rica, Croatia, Cyprus, the Czech Republic, Denmark, Djibouti, Dominica, the Dominican Republic, East Timor, Ecuador, Egypt, El Salvador, Equatorial Guinea, Eritrea, Estonia, Ethiopia, Fiji, Finland, France, French Guiana, Gabon, Gambia, Georgia, Germany, Ghana, Gibraltar, Greece, Grenada, Guadeloupe, Guam, Guatemala, Guinea, Guinea-Bissa, Guyana, Haiti, Honduras, Hong Kong, Hungary, Iceland, India, Indonesia, Ireland, Israel, Italy, Ivory Coast, Jamaica, Japan, Jordan, Kazakhstan, Kenya, Kiribati, Kuwait, Kyrgyzstan, Laos, Latvia, Lebanon, Lesotho, Liberia, Liechtenstein, Lithuania, Luxembourg, Macedonia, Madagascar, Malawi, Malaysia, Maldives, Mali, Malta, the Marshall Islands, Martinique, Mauritania, Mauritius, Mexico, Micronesia, Monaco, Mongolia, Montenegro, Morocco, Mozambique, Namibia, Nauru, Nepal, the Nether Antilles, the Netherlands, New Zealand, Nicaragua, Niger, Nigeria, Norway, Oman, Pakistan, Palau, Panama, Papua New Guinea, Paraguay, Peru, the Philippines, Poland, Portugal, Puerto Rico, the Republic of Moldova, Romania, Russia, Rwanda, Samoa, San Marino, Sao Tome and Principe, Saudi Arabia, Senegal, Serbia and Montenegro, Seychelles, Sierra Leone, Singapore, Slovakia, Slovenia, the Solomon Islands, Somalia, South Africa, South Korea, Spain, Sri Lanka, St. Kitts and Nevis, St. Lucia, St. Vincent and Grenadines, Suriname, Swaziland, Sweden, Switzerland, Syria, Taiwan, Tajikistan, Tanzania, Thailand, Togo, Tonga, Trinidad and Tobago, Tunisia, Turkey, Turkmenistan, Tuvalu, Uganda, Ukraine, the United Arab Emirates, the United Kingdom, Uruguay, the US Virgin Islands, the United States, Uzbekistan, Vanuatu, Venezuela, Vietnam, Yemen, Zaire, Zambia, and Zimbabwe |
| 603785-001 | 640-GB, 5400 RPM hard drive (replaces 608219-001) |
| 603787-001 | 750-GB, 5400 RPM hard drive (replaces 622394-001) |
| 608203-001 | System board (includes replacement thermal material) for use in models with 512 MB of HD5450 discrete graphics memory |
| 608204-001 | System board (includes replacement thermal material) for use in models with UMA graphics subsystem |

| Spare part number | Description |
|--------------------------|-----------------------------------------------------------------------------------------------------|
| 608206-001 | 35.56 cm (14.0-in) display panel, high definition, Brightview for use in models without WWAN |
| 608207-001 | 35.56 cm (14.0-in) WXGA Brightview display assembly for use in models not equipped with WWAN |
| 608208-001 | Display enclosure |
| 608209-001 | Display bezel |
| 608210-001 | Display hinge cover |
| 608211-001 | Display Cable Kit |
| 608212-001 | Display Screw Kit |
| 608214-001 | Display bracket (with hinges) |
| 608215-001 | Hard drive, 160-GB, solid state |
| 608216-001 | 250-GB, 7200 RPM hard drive |
| 608217-001 | 320-GB, 7200 RPM hard drive |
| 608218-001 | 500-GB, 7200 RPM hard drive |
| 608219-001 | 640-GB, 5400 RPM hard drive (replaced by 603785-001) |
| 608221-001 | DVD±RW SuperMulti DL Drive |
| 608222-001 | Keyboard for use in the United States |
| 608222-031 | Keyboard for use in the United Kingdom |
| 608222-041 | Keyboard for use in Germany |
| 608222-051 | Keyboard for use in France |
| 608222-071 | Keyboard for use in Spain |
| 608222-121 | Keyboard for use in English and French Canada |
| 608222-141 | Keyboard for use in Turkey |
| 608222-161 | Keyboard for use in Latin America |
| 608222-171 | Keyboard for use in Saudi Arabia |
| 608222-201 | Keyboard for use in Brazil |
| 608222-251 | Keyboard for use in Russia |
| 608222-281 | Keyboard for use in Thailand |
| 608222-291 | Keyboard for use in Japan |
| 608222-AB1 | Keyboard for use in Taiwan |
| 608222-AD1 | Keyboard for use in South Korea |
| 608222-B31 | Keyboard for use in Europe, the Middle East, and Africa |
| 608222-BG1 | Keyboard for use in Switzerland |
| 608222-DH1 | Keyboard for use in the Netherlands |

| Spare part number | Description |
|--------------------------|---------------------------------------------------------------------------------------------------------------------|
| 608223-001 | Base enclosure |
| 608224-001 | Top cover (includes Touchpad and bracket, button board, and cable) |
| 608225-001 | Fingerprint reader board |
| 608226-001 | Power button board (includes cable) |
| 608227-001 | Misc Cable Kit (includes Bluetooth module cable and hard drive cable) |
| 608228-001 | Rubber feet |
| 608229-001 | Fan/heat sink for use in models with UMA graphics (includes replacement thermal material) |
| 608231-001 | Fan/heat sink assembly for use in models with discrete graphics (includes replacement thermal material) |
| 608232-001 | Speaker assembly (includes cable) |
| 608233-001 | Plastics Kit |
| 608234-001 | Screw Kit |
| 608273-001 | Power connector with cable |
| 608277-001 | USB board with cable |
| 613152-001 | 90-W Smart AC adapter with power factor correction (PFC), RC/V 3W |
| 613153-001 | 65-W Smart AC adapter, RC/V 3W |
| 613160-001 | 90-W Smart AC adapter with power factor correction (PFC), RC/V EM 3W |
| 613161-001 | 65-W Smart AC adapter with power factor correction (PFC), RC/V EM 3W |
| 613585-001 | Intel Core i5 450M Dual Core processor (2.40-GHz, 3-MB L3 cache) |
| 613666-001 | 35.56 cm (14.0-in) display panel, high definition, BrightView for use in models with WWAN |
| 613667-001 | 35.56 cm (14.0-in) WXGA Brightview display assembly for use in models equipped with WWAN |
| 615744-001 | Webcam module |
| 616244-001 | System board (includes replacement thermal material) for use in models with 1 GB of HD5450 discrete graphics memory |
| 619997-001 | Intel® Centrino® Advanced-N + WiMAX 6250 WLAN module for use in the United States |
| 621044-001 | System board for use in models equipped with 512 MB of HD5470 discrete graphics memory |
| 621045-001 | System board for use in models equipped with 1 GB of HD5470 discrete graphics memory |
| 621046-001 | 640-GB, 7200 RPM hard drive |
| 622394-001 | 750-GB, 5400 RPM hard drive (replaced by 603787-001) |
| 625824-001 | Intel Core i5 560M Dual Core processor, 2.66-GHz, (SC turbo up to 3.2-GHz), 3-MB L3 cache |
| 625825-001 | Intel Core i5 580M Dual Core processor, 2.66-GHz, (SC turbo up to 3.33-GHz), 3-MB L3 cache |
| 625826-001 | Intel Core i7 640M Dual Core processor, 2.80Hz (SC turbo up to 3.33-GHz), 4-MB L3 cache |
| 626309-001 | Intel Core i5 460M Dual Core processor, 2.53-GHz, 3-MB L3 cache |

| Spare part number | Description |
|--------------------------|----------------------------------------------------------------------------------------|
| 630284-001 | Display cable kit for models equipped with WWAN |
| 630713-001 | System board for use in models equipped with 512 MB of HD6370 discrete graphics memory |
| 630714-001 | System board for use in models equipped with 1 GB of HD6370 discrete graphics memory |
| 633252-001 | 750-GB, 7200 RPM hard drive |
| 633863-001 | System board for use in models equipped with WiMAX and UMA graphics |
| 634336-001 | Thermal pad kit |
| 634693-001 | Intel Core i5 480M Dual Core processor, 2.66-GHz, 3-MB L3 cache |

4 Removal and replacement procedures

Preliminary replacement requirements


Tools required

You will need the following tools to complete the removal and replacement procedures:

- Flat-bladed screwdriver
- Magnetic screwdriver
- Phillips P0 and P1 screwdrivers

Service considerations

The following sections include some of the considerations that you must keep in mind during disassembly and assembly procedures.

 **NOTE:** As you remove each subassembly from the computer, place the subassembly (and all accompanying screws) away from the work area to prevent damage.

Plastic parts

Using excessive force during disassembly and reassembly can damage plastic parts. Use care when handling the plastic parts. Apply pressure only at the points designated in the maintenance instructions.

Cables and connectors

-
- △ **CAUTION:** When servicing the computer, be sure that cables are placed in their proper locations during the reassembly process. Improper cable placement can damage the computer.
-

Cables must be handled with extreme care to avoid damage. Apply only the tension required to unseat or seat the cables during removal and insertion. Handle cables by the connector whenever possible. In all cases, avoid bending, twisting, or tearing cables. Be sure that cables are routed in such a way that they cannot be caught or snagged by parts being removed or replaced. Handle flex cables with extreme care; these cables tear easily.

Drive handling

-
- △ **CAUTION:** Drives are fragile components that must be handled with care. To prevent damage to the computer, damage to a drive, or loss of information, observe these precautions:
-

Before removing or inserting a hard drive, shut down the computer. If you are unsure whether the computer is off or in Hibernation, turn the computer on, and then shut it down through the operating system.

Before handling a drive, be sure that you are discharged of static electricity. While handling a drive, avoid touching the connector.

Before removing a diskette drive or optical drive, be sure that a diskette or disc is not in the drive and be sure that the optical drive tray is closed.

Handle drives on surfaces covered with at least one inch of shock-proof foam.

Avoid dropping drives from any height onto any surface.

After removing a hard drive, an optical drive, or a diskette drive, place it in a static-proof bag.

Avoid exposing a hard drive to products that have magnetic fields, such as monitors or speakers.

Avoid exposing a drive to temperature extremes or liquids.

If a drive must be mailed, place the drive in a bubble pack mailer or other suitable form of protective packaging and label the package "FRAGILE."

Grounding guidelines

Electrostatic discharge damage

Electronic components are sensitive to electrostatic discharge (ESD). Circuitry design and structure determine the degree of sensitivity. Networks built into many integrated circuits provide some protection, but in many cases, ESD contains enough power to alter device parameters or melt silicon junctions.

A discharge of static electricity from a finger or other conductor can destroy static-sensitive devices or microcircuitry. Even if the spark is neither felt nor heard, damage may have occurred.

An electronic device exposed to ESD may not be affected at all and can work perfectly throughout a normal cycle. Or the device may function normally for a while, then degrade in the internal layers, reducing its life expectancy.

△ **CAUTION:** To prevent damage to the computer when you are removing or installing internal components, observe these precautions:

Keep components in their electrostatic-safe containers until you are ready to install them.

Use nonmagnetic tools.

Before touching an electronic component, discharge static electricity by using the guidelines described in this section.

Avoid touching pins, leads, and circuitry. Handle electronic components as little as possible.

If you remove a component, place it in an electrostatic-safe container.

The following table shows how humidity affects the electrostatic voltage levels generated by different activities.

△ **CAUTION:** A product can be degraded by as little as 700 V.

Typical electrostatic voltage levels

| Event | Relative humidity | | |
|---------------------------------|-------------------|----------|---------|
| | 10% | 40% | 55% |
| Walking across carpet | 35,000 V | 15,000 V | 7,500 V |
| Walking across vinyl floor | 12,000 V | 5,000 V | 3,000 V |
| Motions of bench worker | 6,000 V | 800 V | 400 V |
| Removing DIPS from plastic tube | 2,000 V | 700 V | 400 V |
| Removing DIPS from vinyl tray | 11,500 V | 4,000 V | 2,000 V |
| Removing DIPS from Styrofoam | 14,500 V | 5,000 V | 3,500 V |
| Removing bubble pack from PCB | 26,500 V | 20,000 V | 7,000 V |
| Packing PCBs in foam-lined box | 21,000 V | 11,000 V | 5,000 V |

Packaging and transporting guidelines

Follow these grounding guidelines when packaging and transporting equipment:

- To avoid hand contact, transport products in static-safe tubes, bags, or boxes.
- Protect ESD-sensitive parts and assemblies with conductive or approved containers or packaging.
- Keep ESD-sensitive parts in their containers until the parts arrive at static-free workstations.
- Place items on a grounded surface before removing items from their containers.
- Always be properly grounded when touching a component or assembly.
- Store reusable ESD-sensitive parts from assemblies in protective packaging or nonconductive foam.
- Use transporters and conveyors made of antistatic belts and roller bushings. Be sure that mechanized equipment used for moving materials is wired to ground and that proper materials are selected to avoid static charging. When grounding is not possible, use an ionizer to dissipate electric charges.

Workstation guidelines

Follow these grounding workstation guidelines:

- Cover the workstation with approved static-shielding material.
- Use a wrist strap connected to a properly grounded work surface and use properly grounded tools and equipment.
- Use conductive field service tools, such as cutters, screwdrivers, and vacuums.
- When fixtures must directly contact dissipative surfaces, use fixtures made only of static-safe materials.
- Keep the work area free of nonconductive materials, such as ordinary plastic assembly aids and Styrofoam.
- Handle ESD-sensitive components, parts, and assemblies by the case or PCM laminate. Handle these items only at static-free workstations.
- Avoid contact with pins, leads, or circuitry.
- Turn off power and input signals before inserting or removing connectors or test equipment.

Equipment guidelines

Grounding equipment must include either a wrist strap or a foot strap at a grounded workstation.

- When seated, wear a wrist strap connected to a grounded system. Wrist straps are flexible straps with a minimum of one megohm $\pm 10\%$ resistance in the ground cords. To provide proper ground, wear a strap snugly against the skin at all times. On grounded mats with banana-plug connectors, use alligator clips to connect a wrist strap.
- When standing, use foot straps and a grounded floor mat. Foot straps (heel, toe, or boot straps) can be used at standing workstations and are compatible with most types of shoes or boots. On conductive floors or dissipative floor mats, use foot straps on both feet with a minimum of one megohm resistance between the operator and ground. To be effective, the conductive strips must be worn in contact with the skin.

The following grounding equipment is recommended to prevent electrostatic damage:

- Antistatic tape
- Antistatic smocks, aprons, and sleeve protectors
- Conductive bins and other assembly or soldering aids
- Nonconductive foam
- Conductive tabletop workstations with ground cords of one megohm resistance
- Static-dissipative tables or floor mats with hard ties to the ground
- Field service kits
- Static awareness labels
- Material-handling packages
- Nonconductive plastic bags, tubes, or boxes
- Metal tote boxes
- Electrostatic voltage levels and protective materials

The following table lists the shielding protection provided by antistatic bags and floor mats.

| Material | Use | Voltage protection level |
|-----------------------|------------|---------------------------------|
| Antistatic plastic | Bags | 1,500 V |
| Carbon-loaded plastic | Floor mats | 7,500 V |
| Metallized laminate | Floor mats | 5,000 V |

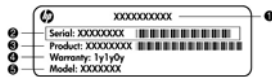
Component replacement procedures

This chapter provides removal and replacement procedures.

There are as many as 75 screws, in 12 different sizes, that must be removed, replaced, or loosened when servicing the computer. Make special note of each screw size and location during removal and replacement.

Serial number

The serial number label, located in the battery bay of the computer, provides important information that you may need when contacting technical support.

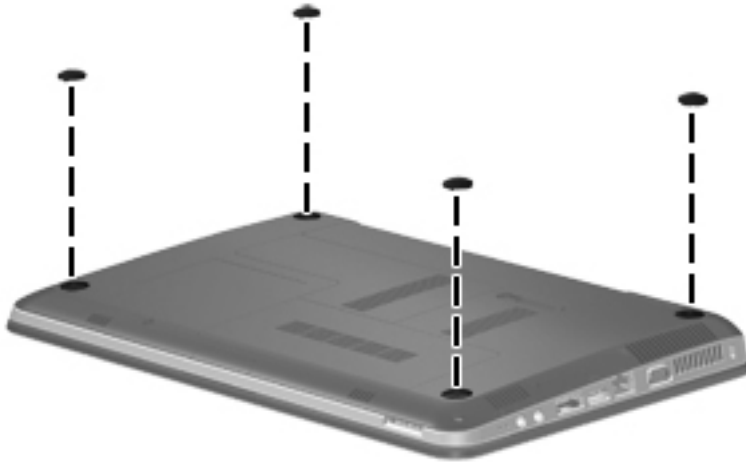


- Product name **(1)**. This is the product name affixed to the front of the computer.
- Serial number (s/n) **(2)**. This is an alphanumeric identifier that is unique to each product.
- Part number/Product number (p/n) **(3)**. This number provides specific information about the product's hardware components. The part number helps a service technician to determine what components and parts are needed.
- Warranty period **(4)**. This number describes the duration (in years) of the warranty period for the computer.
- Model description **(5)**. This is the alphanumeric identifier used to locate documents, drivers, and support for the computer.

Computer feet

| Description | Spare part number |
|-----------------|-------------------|
| Rubber Feet Kit | 608228-001 |

The computer feet are adhesive-backed rubber pads. The feet attach to the base enclosure in the locations illustrated below.



Battery

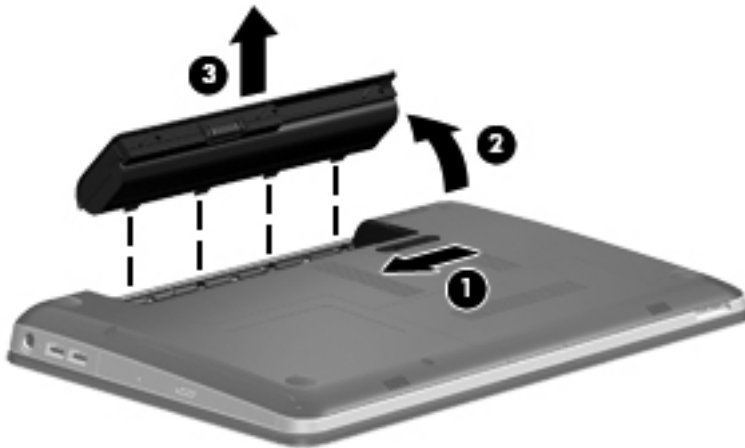
| Description | Spare part number |
|--------------------------------|-------------------|
| 9-cell, 93-WH (2.80-Ah) Li-ion | 593550-001 |
| 6-cell, 55-WH (2.55Ah) Li-ion | 593554-001 |
| 6-cell, 62-WH (2.80-Ah) Li-ion | 593562-001 |

Before disassembling the computer, follow these steps:

1. Shut down the computer. If you are unsure whether the computer is off or in Hibernation, turn the computer on, and then shut it down through the operating system.
2. Disconnect all external devices connected to the computer.
3. Disconnect the power from the computer by first unplugging the power cord from the AC outlet and then unplugging the AC adapter from the computer.

Remove the battery:

1. Turn the computer upside down on a flat surface.
2. Slide the battery release latch **(1)** to release the battery.
3. Pivot the battery **(2)** upward and lift it out of the computer **(3)**.



To insert the battery, insert the rear edge of the battery into the battery bay and pivot the front edge downward until the battery is seated. The battery release latch automatically locks the battery into place.

SIM

 **NOTE:** This section applies only to computer models with WWAN capability.

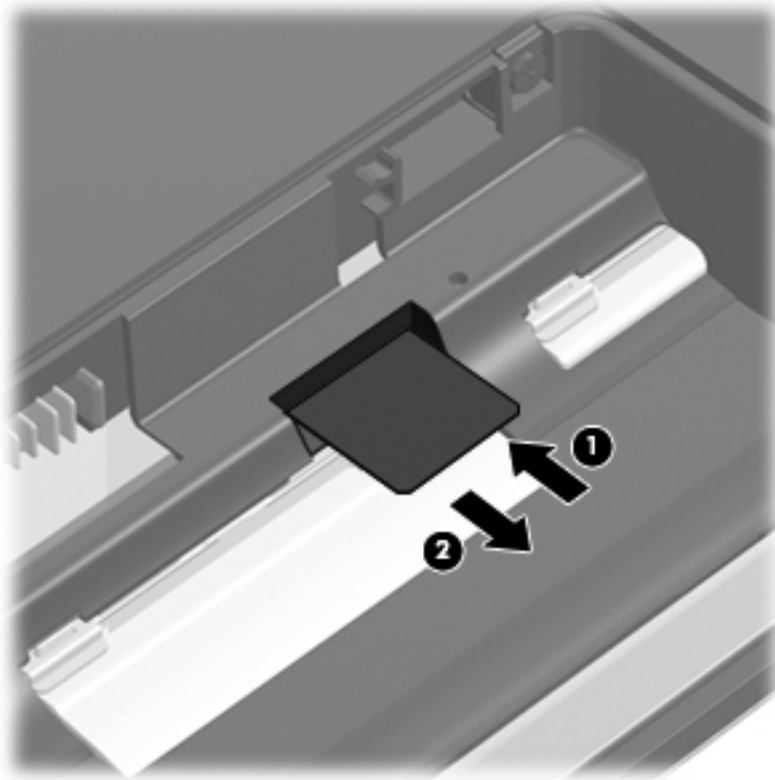
NOTE: If there is a SIM inserted in the SIM slot, it must be removed before disassembling the computer. Be sure that the SIM is reinserted in the SIM slot after reassembling the computer.

Before removing the SIM, follow these steps:

1. Shut down the computer. If you are unsure whether the computer is off or in Hibernation, turn the computer on, and then shut it down through the operating system.
2. Disconnect all external devices connected to the computer.
3. Disconnect the power from the computer by first unplugging the power cord from the AC outlet and then unplugging the AC adapter from the computer.
4. Remove the battery (see [Battery on page 45](#)).

Remove the SIM:

1. Press in on the SIM **(1)**. The module is partially ejected from the SIM slot.
2. Remove the SIM **(2)** from the SIM slot.



Reverse this procedure to install the SIM.

Memory module

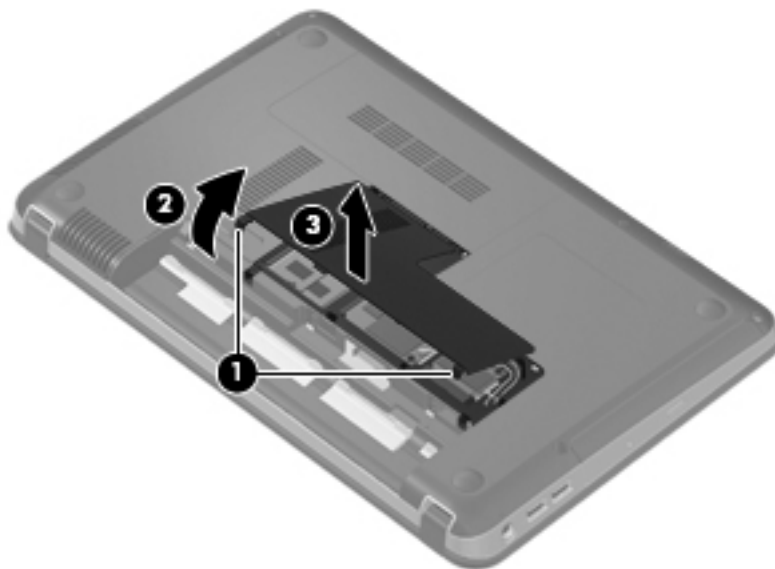
| Description | Spare part number |
|------------------------------|-------------------|
| 4096-MB, PC3 10600, 1333-MHz | 599092-001 |
| 2048-MB, PC3 10600, 1333-MHz | 598856-001 |
| 1024-MB, PC3 10600, 1333-MHz | 598859-001 |

Before removing the memory module, follow these steps:

1. Shut down the computer. If you are unsure whether the computer is off or in Hibernation, turn the computer on, and then shut it down through the operating system.
2. Disconnect all external devices connected to the computer.
3. Disconnect the power from the computer by first unplugging the power cord from the AC outlet and then unplugging the AC adapter from the computer.
4. Remove the battery (see [Battery on page 45](#)).


Remove the memory module:

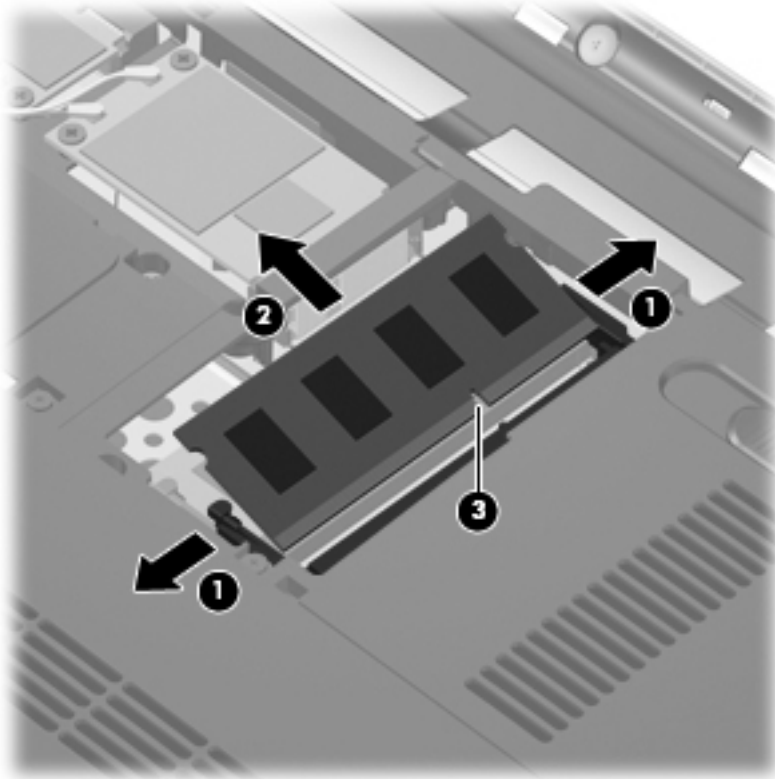
1. Turn the computer upside down with the front toward you.
2. Loosen the two Phillips PM2.5×5.0 captive screws **(1)** that secure the memory/wireless module compartment cover to the computer.
3. Lift the left side of the cover **(2)**, swing it forward, and remove it **(3)**. The memory/wireless compartment cover is included in the plastics kit, spare part number 608233-001.



4. Spread the retaining tabs **(1)** on each side of the memory module slot to release the memory module. (The edge of the module opposite the slot rises away from the computer.)

5. Remove the module **(2)** by pulling it away from the slot at an angle.

 **NOTE:** Memory modules are designed with a notch **(3)** to prevent incorrect insertion into the memory module slot.



Reverse this procedure to install a memory module.

RTC battery

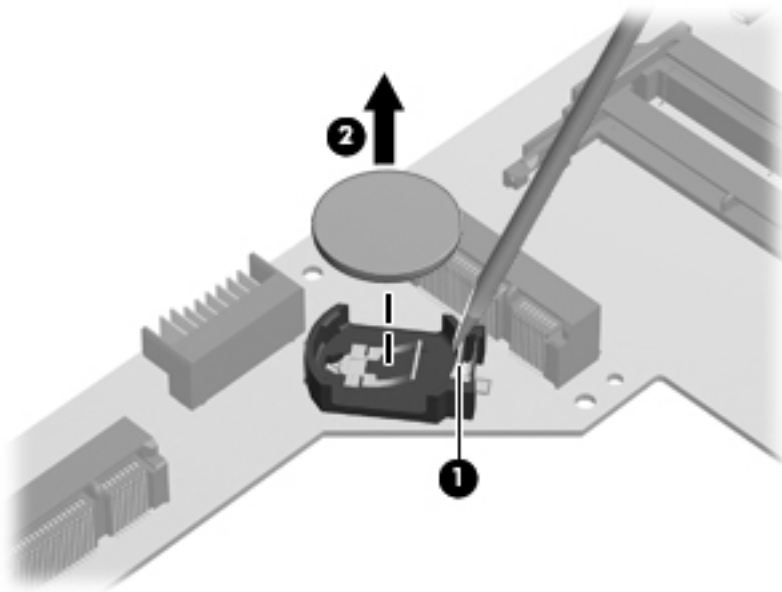
| Description | Spare part number |
|-------------|-------------------|
| RTC battery | 449137-001 |

Before removing the RTC battery, follow these steps:

1. Shut down the computer. If you are unsure whether the computer is off or in Hibernation, turn the computer on, and then shut it down through the operating system.
2. Disconnect all external devices connected to the computer.
3. Disconnect the power from the computer by first unplugging the power cord from the AC outlet and then unplugging the AC adapter from the computer.
4. Remove the battery (see [Battery on page 45](#)).
5. Hard drive cover (see [Hard drive on page 57](#)).

Remove the RTC battery:

1. Turn the system board upside down.
2. Release the RTC battery from the clips on the system board **(1)**.
3. Remove the RTC battery **(2)**.



Reverse this procedure to install the RTC battery.

WLAN module

 **NOTE:** The WLAN module and the WWAN module are not interchangeable.

| Description | Spare part number |
|-----------------------------------------------------------------------------------------------------------------------------------------------------------------------------------------------------------------------------------------------------------------------------------------------------------------------------------------------------------------------------------------------------------------------------------------------------------------------------------------------------------------------------------------------------------------------------------------------------------------------------------------------------------------------------------------------------------------------------------------------------------------------------------------------------------------------------------------------------------------------------------------------------------------------------------------------------------------------------------------------------------------------------------------------------------------------------------------------------------------------------------------------------------------------------------------------------------------------------------------------------------------------------------------------------------------------------------------------------------------------------------------------------------------------------------------------------------------------------------------------------------------------------------------------------------------------------------------------------------------------------------------------------------------------------------------------------------------------------------------------------------------------------------------------------------------------------------------------------------------------------------------------------------------------------------------------------------------------------------------------------------------------------------------------------------------------------------------------------------------------------------------------------------------|-------------------|
| <p>Atheros AR9285 802.11 a/b/g/n 2x2 WiFi adapter</p> <p>For use in Canada, the Cayman Islands, Guam, Puerto Rico, the United States, and the US Virgin Islands</p> | 580101-001 |
| <p>Atheros AR9285 802.11 a/b/g/n 2x2 WiFi adapter</p> <p>For use in Afghanistan, Albania, Algeria, Andorra, Angola, Antigua and Barbuda, Argentinian, Armenia, Aruba, Australia, Austria, Azerbaijan, Bahamas, Bahrain, Barbados, Belgium, Belize, Benin, Bermuda, Bhutan, Bosnia and Herzegovina, Botswana, Brazil, British Virgin Islands, Brunei, Bulgaria, Burkina Faso, Burundi, Cambodia, Cameroon, Cape Verde, Central African Republic, Chad, Chile, People's Republic of China, Colombia, Comoros, Congo, Costa Rica, Croatia, Cyprus, Czech Republic, Denmark, Djibouti, Dominica, Dominican Republic, East Timor, Ecuador, Egypt, El Salvador, Equatorial Guinea, Eritrea, Estonia, Ethiopia, Fiji, Finland, France, French Guiana, Gabon, Gambia, Georgia, Germany, Ghana, Gibraltar, Greece, Grenada, Guadeloupe, Guatemala, Guinea, Guinea-Bissau, Guyana, Haiti, Honduras, Hong Kong, Hungary, Iceland, India, Indonesia, Ireland, Italy, Ivory Coast, Jamaica, Japan, Jordan, Kazakhstan, Kenya, Kiribati, Kuwait, Kyrgyzstan, Laos, Latvia, Lebanon, Lesotho, Liberia, Liechtenstein, Lithuania, Luxembourg, Macedonia, Madagascar, Malawi, Malaysia, Maldives, Mali, Malta, Marshall Islands, Martinique, Mauritania, Mauritius, Mexico, Micronesia, Monaco, Mongolia, Montenegro, Morocco, Mozambique, Namibia, Nauru, Nepal, the Nether Antilles, Netherlands, New Zealand, Nicaragua, Niger, Nigeria, Norway, Oman, Palau, Panama, Papua New Guinea, Paraguay, Peru, Philippines, Poland, Portugal, Republic of Moldova, Romania, Rwanda, Samoa, San Marino, Sao Tome and Principe, Saudi Arabia, Senegal, Serbia and Montenegro, Seychelles, Sierra Leone, Singapore, Slovakia, Slovenia, Solomon Islands, Somalia, South Africa, South Korea, Spain, Sri Lanka, St. Kitts and Nevis, St. Lucia, St. Vincent and the Grenadines, Suriname, Swaziland, Sweden, Switzerland, Syria, Taiwan, Tajikistan, Tanzania, Thailand, Togo, Tonga, Trinidad and Tobago, Tunisia, Turkey, Turkmenistan, Tuvalu, Uganda, United Arab Emirates, United Kingdom, Uruguay, Uzbekistan, Vanuatu, Venezuela, Vietnam, Yemen, Zaire, Zambia, and Zimbabwe</p> | 580101-002 |
| <p>Intel Centrino Wireless-N 1000 802.11b/g/n 1x2</p> <p>For use in Andorra, Antigua and Barbuda, Argentina, Aruba, Australia, Austria, Azerbaijan, Bahamas, Bahrain, Barbados, Belgium, Bermuda, Bolivia, Bosnia and Herzegovina, Brazil, Brunei, Bulgaria, Canada, the Cayman Islands, Chile, People's Republic of China, Colombia, Costa Rica, Croatia, Cyprus, the Czech Republic, Denmark, the Dominican Republic, Ecuador, Egypt, El Salvador, Estonia, Finland, France, French Guiana, Georgia, Germany, Ghana, Greece, Guadeloupe, Guam, Guatemala, Haiti, Honduras, Hong Kong, Hungary, Iceland, India, Indonesia, Ireland, Israel, Italy, Ivory Coast, Jamaica, Japan, Jordan, Kenya, Kuwait, Kyrgyzstan, Latvia, Lebanon, Liechtenstein, Lithuania, Luxembourg, Malawi, Malaysia, Malta, Martinique, Mauritius, Mexico, Monaco, Montenegro, Morocco, the Nether Antilles, Netherlands, New Zealand, Nicaragua, Nigeria, Norway, Oman, Pakistan, Panama, Paraguay, Peru, Philippines, Poland, Portugal, Puerto Rico, Qatar, Romania, San Marino, Saudi Arabia, Senegal, Singapore, Slovakia, Slovenia, South Africa, South Korea, Spain, Sri Lanka, Sweden, Switzerland, Taiwan, Tanzania, Thailand, Trinidad and Tobago, Turkey, Ukraine, United Arab Emirates, United Kingdom, Uruguay, the US Virgin Islands, the United States, Venezuela, and Vietnam</p> | 593530-001 |
| <p>Broadcom 43224AGN 802.11a/b/g/draft-n WiFi Adapter</p> <p>For use in Antigua and Barbuda, Aruba, the Bahamas, Barbados, Belize, Canada, Guam, Guinea, Haiti, Jamaica, the Nether Antilles, Puerto Rico, St. Kitts and Nevis, St. Lucia, St. Vincent and the Grenadines, Suriname, the US Virgin Islands, and the United States</p> | 582564-001 |

| Description | Spare part number |
|--------------------------------------------------------------------------------------------------------------------------------------------------------------------------------------------------------------------------------------------------------------------------------------------------------------------------------------------------------------------------------------------------------------------------------------------------------------------------------------------------------------------------------------------------------------------------------------------------------------------------------------------------------------------------------------------------------------------------------------------------------------------------------------------------------------------------------------------------------------------------------------------------------------------------------------------------------------------------------------------------------------------------------------------------------------------------------------------------------------------------------------------------------------------------------------------------------------------------------------------------------------------------------------------------------------------------------------------------------------------------------------------------------------------------------------------------------------------------------------------------------------------------------------------------------------------------------------------------------------------------------------------------------------------------------------------------------------------------------------------------------------------------------------------------------------------------------------------------------------------------------------------------------------------------------------------------------------------------------------------------------------------------------------------------------------------------------------------------------------------------------------------------------------------------------------------------------------------------------------------------------------------------------------|-------------------|
| Broadcom 43224AGN 802.11a/b/g/draft-n WiFi Adapter | 582564-002 |
| <p>For use in Albania, Algeria, Andorra, Angola, Argentina, Armenia, Australia, Austria, Azerbaijan, Bahrain, Belarus, Belgium, Benin, Bermuda, Bhutan, Bolivia, Bosnia and Herzegovina, Botswana, Brazil, the British Virgin Islands, Brunei, Bulgaria, Burkina Faso, Burundi, Cambodia, Cameroon, Cape Verde, the Cayman Islands, Central African Republic, Chad, Chile, People's Republic of China, Colombia, Comoros, Congo, Costa Rica, Croatia, Cyprus, the Czech Republic, Denmark, Djibouti, Dominica, the Dominican Republic, East Timor, Ecuador, Egypt, El Salvador, Equatorial Guinea, Eritrea, Estonia, Ethiopia, Fiji, Finland, France, French Guiana, Gabon, Gambia, Georgia, Germany, Ghana, Gibraltar, Greece, Grenada, Guadeloupe, Guatemala, Guinea, Guinea-Bissau, Honduras, Hong Kong, Hungary, Iceland, India, Ireland, Italy, Ivory Coast, Japan, Jordan, Kazakhstan, Kenya, Kiribati, Kuwait, Kyrgyzstan, Laos, Latvia, Lebanon, Lesotho, Liberia, Liechtenstein, Lithuania, Luxembourg, Macedonia, Madagascar, Malawi, Malaysia, Maldives, Mali, Malta, Marshall Islands, Martinique, Mauritania, Mauritius, Mexico, Micronesia, Monaco, Mongolia, Montenegro, Morocco, Mozambique, Namibia, Nauru, Nepal, Netherlands, New Zealand, Nicaragua, Niger, Nigeria, Norway, Oman, Palau, Panama, Papua New Guinea, Paraguay, Peru, Philippines, Poland, Portugal, Qatar, Republic of Moldova, Romania, Rwanda, Samoa, San Marino, Sao Tome and Principe, Saudi Arabia, Senegal, Serbia and Montenegro, Seychelles, Sierra Leone, Singapore, Slovakia, Slovenia, Solomon Islands, Somalia, South Africa, South Korea, Spain, Sri Lanka, Swaziland, Sweden, Switzerland, Taiwan, Tajikistan, Tanzania, Thailand, Togo, Tonga, Trinidad and Tobago, Tunisia, Turkey, Turkmenistan, Tuvalu, Uganda, United Arab Emirates, United Kingdom, Uruguay, Uzbekistan, Vanuatu, Venezuela, Vietnam, Yemen, Zaire, Zambia, and Zimbabwe</p> | |
| Broadcom 4313AGN 802.11a/b/g/draft-n WiFi Adapter | 593836-001 |
| <p>For use in Afghanistan, Albania, Algeria, Andorra, Angola, Antigua and Barbuda, Argentina, Armenia, Aruba, Australia, Austria, Azerbaijan, Bahamas, Bahrain, Bangladesh, Barbados, Belarus, Belgium, Belize, Benin, Bermuda, Bhutan, Bolivia, Bosnia and Herzegovina, Botswana, Brazil, the British Virgin Islands, Brunei, Bulgaria, Burkina Faso, Burundi, Cambodia, Cameroon, Canada, Cape Verde, the Cayman Islands, Central African Republic, Chad, People's Republic of China, Colombia, Comoros, Congo, Costa Rica, Croatia, Cyprus, the Czech Republic, Denmark, Djibouti, Dominica, the Dominican Republic, East Timor, Ecuador, Egypt, El Salvador, Equatorial Guinea, Eritrea, Estonia, Ethiopia, Fiji, Finland, France, French Guiana, Gabon, Gambia, Georgia, Germany, Ghana, Gibraltar, Greece, Grenada, Guadeloupe, Guam, Guatemala, Guinea, Guinea-Bissau, Guyana, Haiti, Honduras, Hong Kong, Hungary, Iceland, India, Iraq, Ireland, Israel, Italy, Ivory Coast, Jamaica, Japan, Jordan, Kazakhstan, Kenya, Kiribati, Kuwait, Kyrgyzstan, Laos, Latvia, Lebanon, Lesotho, Liberia, Martinique, Liechtenstein, Lithuania, Luxembourg, Macedonia, Madagascar, Malawi, Malaysia, Maldives, Mali, Malta, Marshall Islands, Mauritania, Mauritius, Mexico, Micronesia, Monaco, Mongolia, Montenegro, Morocco, Mozambique, Namibia, Nauru, Nepal, the Nether Antilles, the Netherlands, New Zealand, Nicaragua, Niger, Nigeria, Norway, Oman, Pakistan, Palau, Panama, Papua New Guinea, Paraguay, Puerto Rico, Peru, Philippines, Poland, Portugal, Qatar, Republic of Moldova, Romania, Russia, Rwanda, Samoa, San Marino, Sao Tome and Principe, Saudi Arabia, Senegal, Serbia and Montenegro, Seychelles, Sierra Leone, Singapore, Slovakia, Slovenia, Solomon Islands, Somalia, South Africa, South Korea, Spain, Sri Lanka, St. Kitts and Nevis, St. Lucia, St. Vincent and the Grenadines, Suriname, Swaziland, Sweden, Switzerland, Syria, Taiwan, Tajikistan, Tanzania, Thailand, Togo, Tonga, Trinidad and Tobago, Tunisia, Turkey, Turkmenistan, Tuvalu, Uganda, Ukraine, the United Arab Emirates, the United Kingdom, Uruguay, the United States, the US Virgin Islands, Uzbekistan, Vanuatu, Venezuela, Vietnam, Yemen, Zaire, Zambia, and Zimbabwe</p> | |

| Description | Spare part number |
|--------------------------------------------------------------------------------------------------------------------------------------------------------------------------------------------------------------------------------------------------------------------------------------------------------------------------------------------------------------------------------------------------------------------------------------------------------------------------------------------------------------------------------------------------------------------------------------------------------------------------------------------------------------------------------------------------------------------------------------------------------------------------------------------------------------------------------------------------------------------------------------------------------------------------------------------------------------------------------------------------------------------------------------------------------------------------------------------------------------------------------------------------------------------------------------------------------------------------------------------------------------------------------------------------------------------------------------------------------------------------------------------------------------------------------------------------------------------------------------------------------------------------------------------------------------------------------------------------------------------------------------------------------------------------------------------------------------------------------------------------------------------------------------------------------------------------------------------------------------------------------------------------------------------------------------------------------------------------------------------------------------------------------------------------------------------------------------------------------------------------------------------------------------------------------------------------------------------------------------------------------------------------------------------------------------------------------------------------------------------------------|-------------------|
| <p>Realink RT3090BC4 802.11b/g/n 1x1 WiFi and Bluetooth 2.1+EDR Combo Adapter</p> <p>For use in Afghanistan, Albania, Algeria, Andorra, Angola, Antigua and Barbuda, Argentina, Armenia, Aruba, Australia, Austria, Azerbaijan, Bahamas, Bahrain, Barbados, Belarus, Belgium, Belize, Benin, Bermuda, Bhutan, Bolivia, Bosnia and Herzegovina, Botswana, Brazil, British Virgin Islands, Brunei, Bulgaria, Burkina Faso, Burundi, Cambodia, Cameroon, Canada, Cape Verde, the Cayman Islands, Central African Republic, Chad, Chile, the People's Republic of China, Colombia, Comoros, Congo, Costa Rica, Croatia, Cyprus, the Czech Republic, Denmark, Djibouti, Dominica, the Dominican Republic, East Timor, Ecuador, Egypt, El Salvador, Equatorial Guinea, Eritrea, Estonia, Ethiopia, Fiji, Finland, France, French Guiana, Gabon, Gambia, Georgia, Germany, Ghana, Gibraltar, Greece, Grenada, Guadeloupe, Guam, Guatemala, Guinea, Guinea-Bissa, Guyana, Haiti, Honduras, Hong Kong, Hungary, Iceland, India, Indonesia, Ireland, Israel, Italy, Ivory Coast, Jamaica, Japan, Jordan, Kazakhstan, Kenya, Kiribati, Kuwait, Kyrgyzstan, Laos, Latvia, Lebanon, Lesotho, Liberia, Liechtenstein, Lithuania, Luxembourg, Macedonia, Madagascar, Malawi, Malaysia, Maldives, Mali, Malta, the Marshall Islands, Martinique, Mauritania, Mauritius, Mexico, Micronesia, Monaco, Mongolia, Montenegro, Morocco, Mozambique, Namibia, Nauru, Nepal, the Nether Antilles, the Netherlands, New Zealand, Nicaragua, Niger, Nigeria, Norway, Oman, Pakistan, Palau, Panama, Papua New Guinea, Paraguay, Peru, the Philippines, Poland, Portugal, Puerto Rico, the Republic of Moldova, Romania, Russia, Rwanda, Samoa, San Marino, Sao Tome and Principe, Saudi Arabia, Senegal, Serbia and Montenegro, Seychelles, Sierra Leone, Singapore, Slovakia, Slovenia, the Solomon Islands, Somalia, South Africa, South Korea, Spain, Sri Lanka, St. Kitts and Nevis, St. Lucia, St. Vincent and Grenadines, Suriname, Swaziland, Sweden, Switzerland, Syria, Taiwan, Tajikistan, Tanzania, Thailand, Togo, Tonga, Trinidad and Tobago, Tunisia, Turkey, Turkmenistan, Tuvalu, Uganda, Ukraine, the United Arab Emirates, the United Kingdom, Uruguay, the US Virgin Islands, the United States, Uzbekistan, Vanuatu, Venezuela, Vietnam, Yemen, Zaire, Zambia, and Zimbabwe</p> | 602992-001 |
| <p>Broadcom 4313 802.11b/g/n 1x1 WiFi and 2070 Bluetooth 2.1+EDR Combo Adapter</p> <p>For use in Afghanistan, Albania, Algeria, Andorra, Angola, Antigua and Barbuda, Argentina, Armenia, Aruba, Australia, Austria, Azerbaijan, Bahamas, Bahrain, Bangladesh, Barbados, Belarus, Belgium, Belize, Benin, Bermuda, Bhutan, Bolivia, Bosnia and Herzegovina, Botswana, Brazil, the British Virgin Islands, Brunei, Bulgaria, Burkina Faso, Burundi, Cambodia, Cameroon, Canada, Cape Verde, the Cayman Islands, Central African Republic, Chad, Chile, the People's Republic of China, Colombia, Comoros, Congo, Costa Rica, Croatia, Cyprus, Czech Republic, Denmark, Djibouti, Dominica, the Dominican Republic, East Timor, Ecuador, Egypt, El Salvador, Equatorial Guinea, Eritrea, Estonia, Ethiopia, Fiji, Finland, France, French Guiana, Gabon, Gambia, Georgia, Germany, Ghana, Gibraltar, Greece, Grenada, Guadeloupe, Guam, Guatemala, Guinea, Guinea-Bissa, Guyana, Haiti, Honduras, Hong Kong, Hungary, Iceland, India, Indonesia, Iraq, Ireland, Israel, Italy, Ivory Coast, Jamaica, Japan, Jordan, Kazakhstan, Kenya, Kiribati, Kuwait, Kyrgyzstan, Laos, Latvia, Lebanon, Lesotho, Liberia, Liechtenstein, Lithuania, Luxembourg, Macedonia, Madagascar, Malawi, Malaysia, Maldives, Mali, Malta, Marshall Islands, Martinique, Mauritania, Mauritius, Mexico, Micronesia, Monaco, Mongolia, Montenegro, Morocco, Mozambique, Namibia, Nauru, Nepal, the Nether Antilles, the Netherlands, New Zealand, Nicaragua, Niger, Nigeria, Norway, Oman, Pakistan, Palau, Panama, Papua New Guinea, Paraguay, Peru, Philippines, Poland, Portugal, Puerto Rico, Qatar, the Republic of Moldova, Romania, Russia, Rwanda, Samoa, San Marino, Sao Tome and Principe, Saudi Arabia, Senegal, Serbia and Montenegro, Seychelles, Sierra Leone, Singapore, Slovakia, Slovenia, Solomon Islands, Somalia, South Africa, South Korea, Sri Lanka, St. Kitts and Nevis, St. Lucia, St. Vincent and the Grenadines, Suriname, Swaziland, Sweden, Switzerland, Taiwan, Tajikistan, Tanzania, Thailand, Togo, Tonga, Trinidad and Tobago, Tunisia, Turkey, Turkmenistan, Tuvalu, Uganda, Ukraine, the United Arab Emirates, the United Kingdom, the United States, Uruguay, the US Virgin Islands, Uzbekistan, Vanuatu, Venezuela, Vietnam, Yemen, Zaire, Zambia, and Zimbabwe</p> | 600370-001 |
| <p>Intel® Centrino® Advanced-N + WiMAX 6250 WLAN module</p> <p>For use in the United States</p> | 619997-001 |

Before removing the WLAN module, follow these steps:

1. Shut down the computer. If you are unsure whether the computer is off or in Hibernation, turn the computer on, and then shut it down through the operating system.
2. Disconnect all external devices connected to the computer.
3. Disconnect the power from the computer by first unplugging the power cord from the AC outlet and then unplugging the AC adapter from the computer.
4. Remove the battery (see [Battery on page 45](#)).
5. Remove the memory/wireless module compartment cover (see [Memory module on page 47](#)).

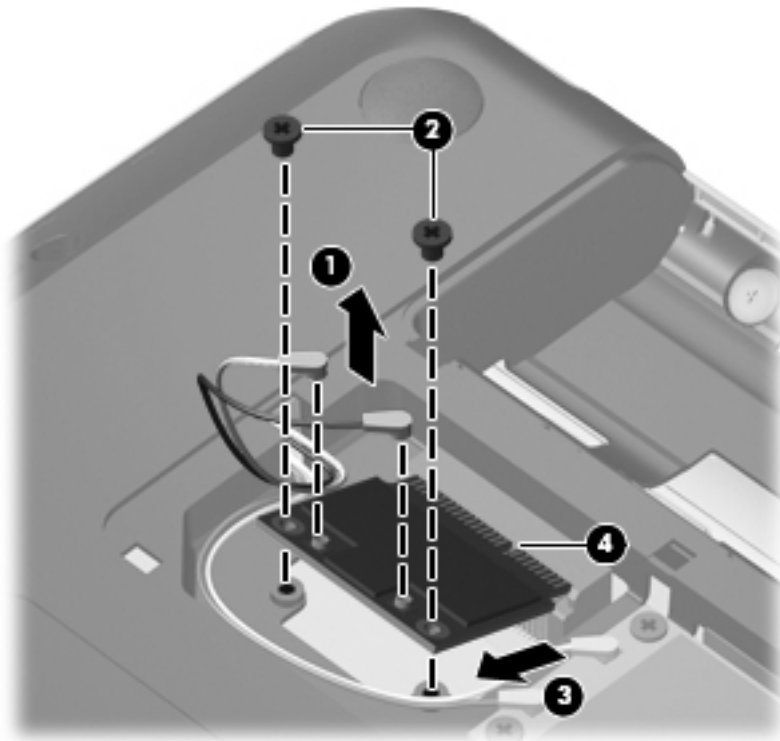
Remove the WLAN module:

1. Turn the computer upside down with the front toward you.
2. Disconnect the two WLAN antenna cables **(1)** from the WLAN module.
3. Remove the two Phillips PM2.0×4.0 screws **(2)** that secure the WLAN module to the computer. (The edge of the module opposite the slot rises away from the computer.)

4. Remove the WLAN module **(3)** by pulling it away from the slot at an angle.


△ **CAUTION:** To prevent an unresponsive system, replace the wireless module only with a wireless module authorized for use in the computer by the governmental agency that regulates wireless devices in your country or region. If you replace the module and then receive a warning message, remove the module to restore computer functionality, and then contact technical support through Help and Support.

📄 **NOTE:** WLAN modules are designed with a notch **(4)** to prevent incorrect insertion into the WLAN module slot.



Reverse this procedure to install a WLAN module.

WWAN module

 **NOTE:** The WWAN module and the WLAN module are not interchangeable.

| Description | Spare part number |
|-----------------------------------|-------------------|
| HP un2420 Broadband Module (WWAN) | 531993-001 |


Before removing the WWAN module, follow these steps:

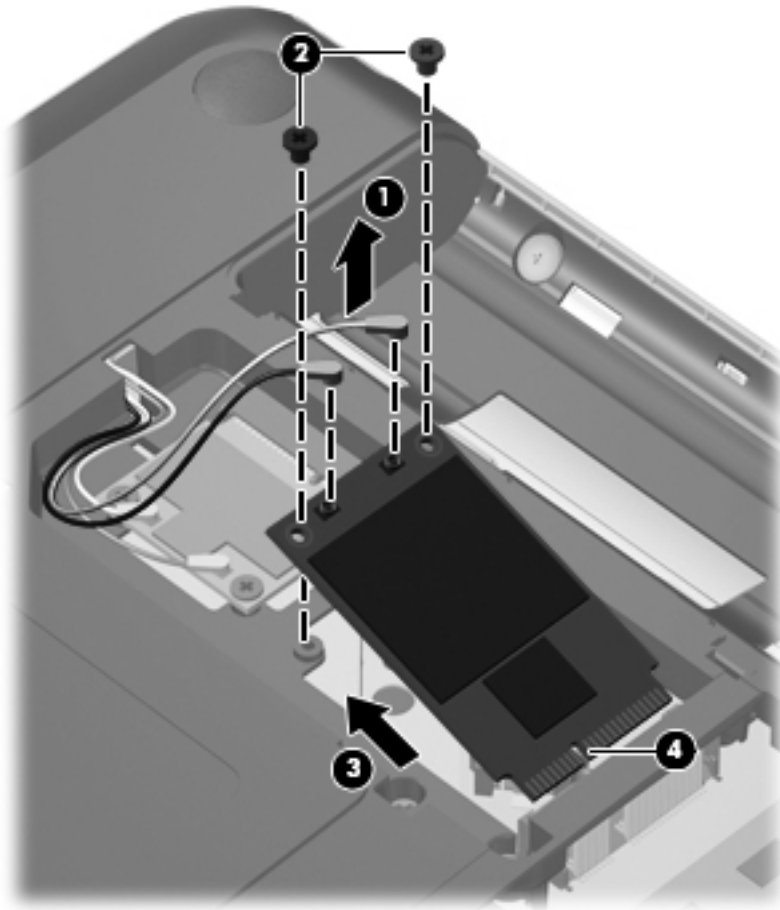
1. Shut down the computer. If you are unsure whether the computer is off or in Hibernation, turn the computer on, and then shut it down through the operating system.
2. Disconnect all external devices connected to the computer.
3. Disconnect the power from the computer by first unplugging the power cord from the AC outlet and then unplugging the AC adapter from the computer.
4. Remove the battery (see [Battery on page 45](#)).
5. Remove the memory/wireless module compartment cover (see [Memory module on page 47](#)).

Remove the WWAN module:

1. Turn the computer upright with the front toward you.
2. Disconnect the two WWAN antenna cables **(1)** from the WWAN module.
3. Remove the two Phillips PM2.0×4.0 screws **(2)** that secure the WWAN module to the computer. (The edge of the module opposite the slot rises away from the computer.)

4. Remove the WWAN module **(3)** by pulling it away from the slot at an angle.

 **NOTE:** WWAN modules are designed with a notch **(4)** to prevent incorrect insertion into the WWAN module slot.



Reverse the above procedure to install the WWAN module.

Hard drive

 **NOTE:** All hard drive spare part kits include a hard drive bracket.

NOTE: The hard drive cable is included in the Misc Cable Kit, spare part number 608227-001.

| Description | Spare part number |
|-------------------------------------------|-------------------|
| 750-GB, 7200 RPM | 633252-001 |
| 750-GB, 5400 RPM (replaces 622394-001) | 603787-001 |
| 750-GB, 5400 RPM (replaced by 603787-001) | 622394-001 |
| 640-GB, 7200 RPM | 621046-001 |
| 640-GB, 5400 RPM (replaces 608219-001) | 603785-001 |
| 640-GB, 5400 RPM (replaced by 603785-001) | 608219-001 |
| 500-GB, 7200 RPM | 608218-001 |
| 320-GB, 7200 RPM | 608217-001 |
| 250-GB, 7200 RPM | 608216-001 |
| 160-GB solid-state drive | 608215-001 |

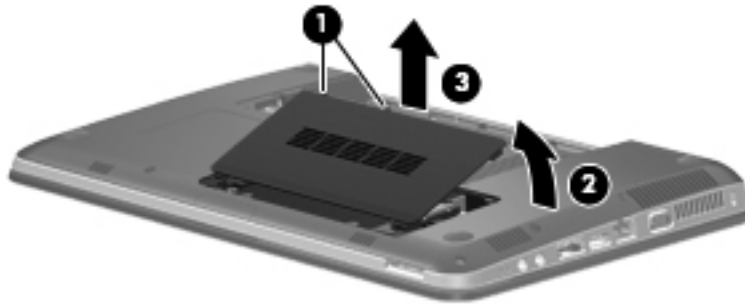
Before removing the hard drive, follow these steps:

1. Shut down the computer. If you are unsure whether the computer is off or in Hibernation, turn the computer on, and then shut it down through the operating system.
2. Disconnect all external devices connected to the computer.
3. Disconnect the power from the computer by first unplugging the power cord from the AC outlet and then unplugging the AC adapter from the computer.
4. Remove the battery (see [Battery on page 45](#)).
5. Remove the memory/wireless module compartment cover (see [Memory module on page 47](#)).

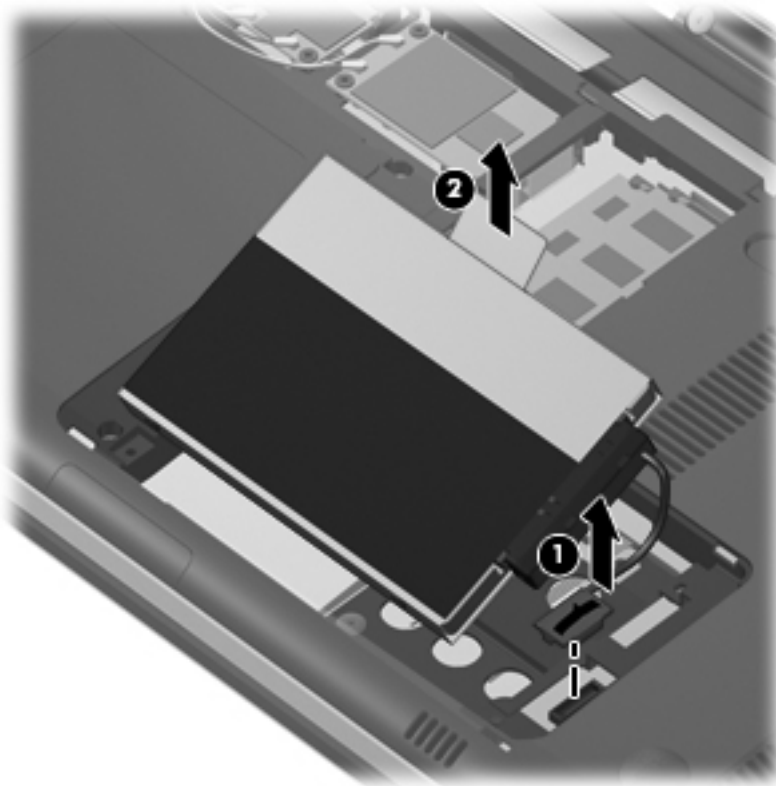
Remove the hard drive:

1. Position the computer with the front toward you.
2. Loosen the two captive Phillips PM2.5×5.0 screws **(1)** that secure the hard drive cover to the computer.

3. Lift the cover up at an angle **(2)** and remove it **(3)**. The hard drive cover is included in the plastics kit, spare part number 608233-001.

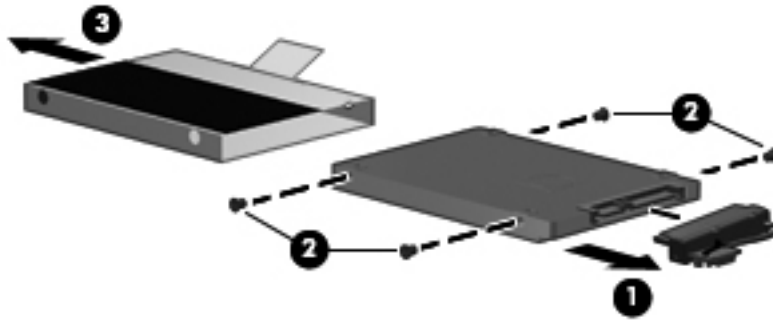


4. Disconnect the hard drive cable from the system board **(1)**.
5. Lift the hard drive out of the hard drive bay **(2)**.



6. If it is necessary to replace the hard drive bracket (also called the protective cover), disconnect the hard drive cable **(1)** from the hard drive.

7. Remove the four Phillips PM3.0x3.0 screws **(2)** and cover **(3)** only if the hard drive does not already have these components preassembled.



Reverse this procedure to reassemble and install the hard drive.

Optical drive

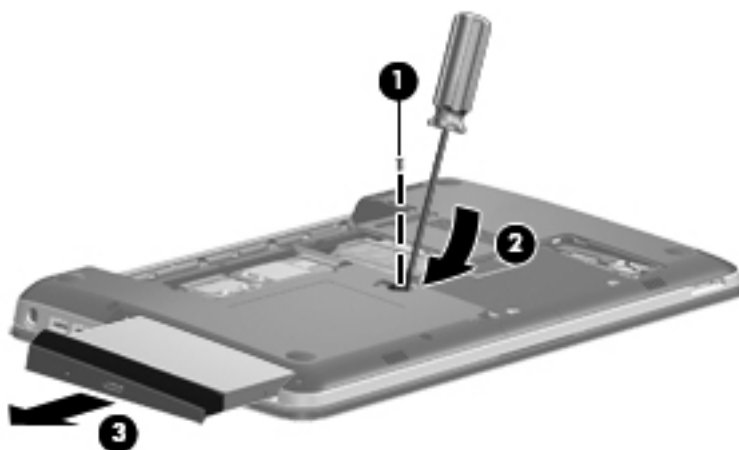
| Description | Spare part number |
|----------------------------|-------------------|
| DVD±RW SuperMulti DL Drive | 608221-001 |

Before removing the optical drive, follow these steps:

1. Shut down the computer. If you are unsure whether the computer is off or in Hibernation, turn the computer on, and then shut it down through the operating system.
2. Disconnect all external devices connected to the computer.
3. Disconnect the power from the computer by first unplugging the power cord from the AC outlet and then unplugging the AC adapter from the computer.
4. Remove the battery (see [Battery on page 45](#)).
5. Remove the memory/wireless module compartment cover (see [Memory module on page 47](#)).
6. Remove the hard drive cover (see [Hard drive on page 57](#)).

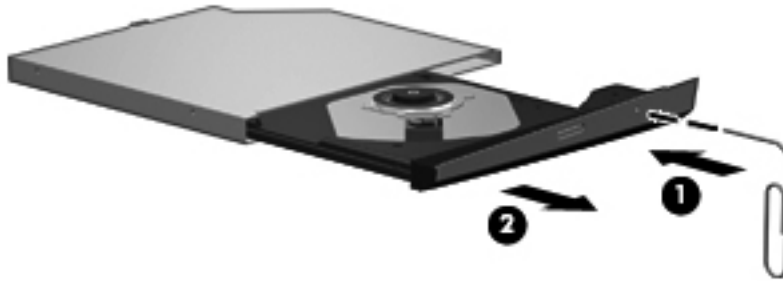
Remove the optical drive:

1. Position the computer upside down with the front toward you.
2. Remove the Phillips PM2.5x5.0 screw **(1)** that secures the optical drive to the computer.
3. Use a flat-bladed screwdriver or similar tool to push the drive bracket **(2)** to release the optical drive.
4. Remove the optical drive **(3)**.

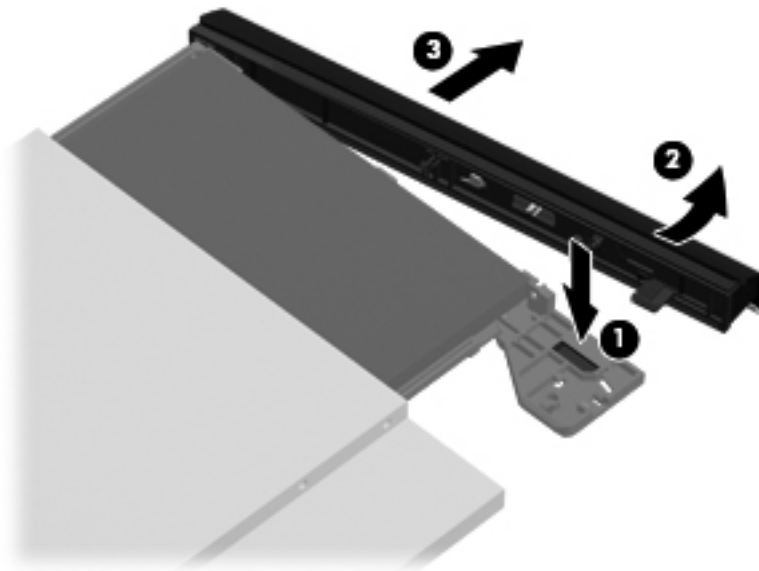


5. If it is necessary to remove the drive bezel, insert the end of a paper clip into the release access hole **(1)** in the optical drive bezel. Press in gently until the tray is released.

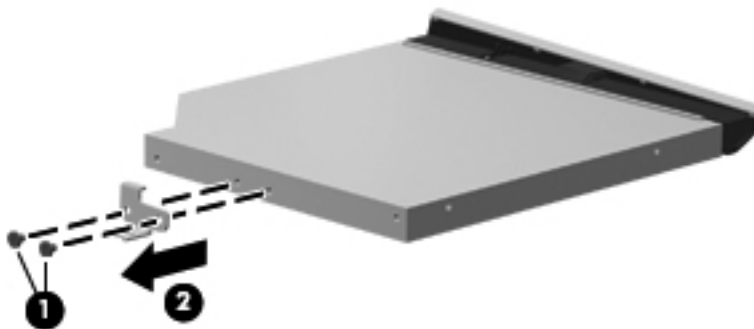
- Firmly pull outward on the open tray **(2)** until the drive slides out.



- Press the bezel release button **(1)**, lift the bezel at an angle **(2)**, and remove the bezel **(3)**.



- If it is necessary to replace the optical drive bracket, position the optical drive with the optical drive bracket toward you.
- Remove the two Phillips PM2.0x3.0 screws **(1)** that secure the optical drive bracket to the optical drive.
- Remove the optical drive bracket **(2)**.



Reverse the above procedure to reassemble and install the optical drive.

Keyboard

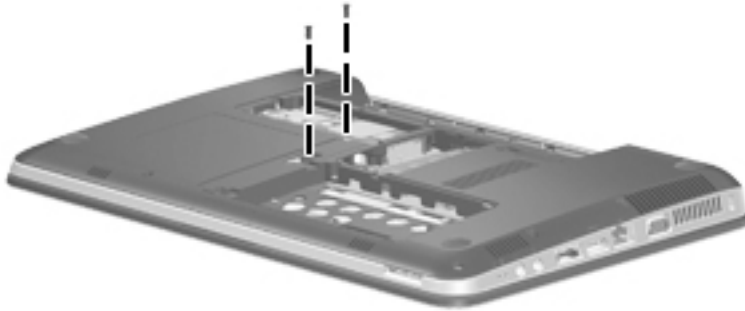
| Description | Spare part number |
|-------------------------------------------------------|-------------------|
| Keyboard for use in Brazil | 608222-201 |
| Keyboard for use in English and French Canada | 608222-121 |
| Keyboard for use in Europe, the Middle East, and Asia | 608222-B31 |
| Keyboard for use in France | 608222-051 |
| Keyboard for use in Germany | 608222-041 |
| Keyboard for use in Japan | 608222-291 |
| Keyboard for use in Latin America | 608222-161 |
| Keyboard for use in the Netherlands | 608222-DH1 |
| Keyboard for use in Russia | 608222-251 |
| Keyboard for use in Saudi Arabia | 608222-171 |
| Keyboard for use in South Korea | 608222-AD1 |
| Keyboard for use in Spain | 608222-071 |
| Keyboard for use in Switzerland | 608222-BG1 |
| Keyboard for use in Taiwan | 608222-AB1 |
| Keyboard for use in Thailand | 608222-281 |
| Keyboard for use in Turkey | 608222-141 |
| Keyboard for use in the United Kingdom | 608222-031 |
| Keyboard for use in the United States | 608222-001 |

Before removing the keyboard, follow these steps:

1. Shut down the computer. If you are unsure whether the computer is off or in Hibernation, turn the computer on, and then shut it down through the operating system.
2. Disconnect all external devices connected to the computer.
3. Disconnect the power from the computer by first unplugging the power cord from the AC outlet and then unplugging the AC adapter from the computer.
4. Remove the battery (see [Battery on page 45](#)).
5. Remove the memory/wireless compartment cover (see [Memory module on page 47](#)).
6. Remove the hard drive cover (see [Hard drive on page 57](#)).

Remove the keyboard:

1. Turn the computer upside down with the front toward you.
2. Remove the two Phillips PM2.5×6.5 screws that secure the keyboard to the computer.



3. Turn the computer right-side up with the front toward you.
4. Open the computer as far as possible.
5. Release the top edge of the keyboard by lifting it up to disengage the keyboard from the tabs on the top cover **(1)**.
6. Rotate the keyboard over until it rests on the palm rest **(2)**.
7. Release the zero insertion force (ZIF) connector to which the keyboard cable is attached and disconnect the keyboard cable **(3)** from the system board.



8. Remove the keyboard.

Reverse this procedure to install the keyboard.

Top cover

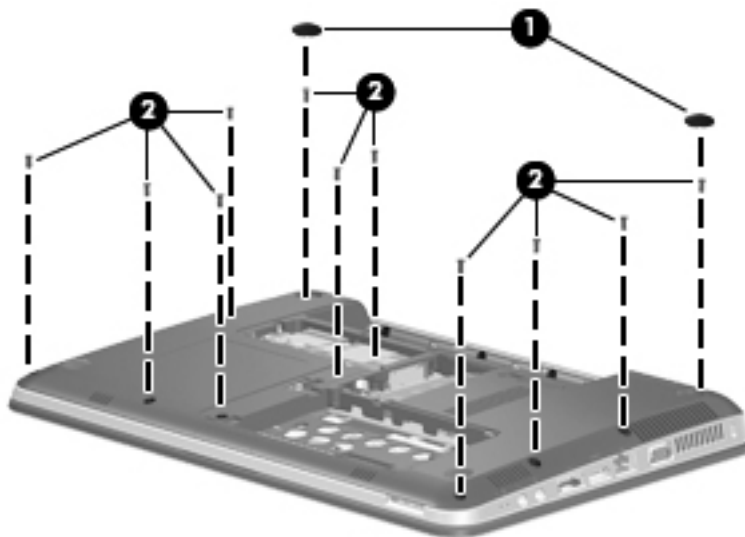
| Description | Spare part number |
|--------------------------------------------------------------------|-------------------|
| Top cover (includes Touchpad and bracket, button board, and cable) | 608224-001 |

Before removing the top cover, follow these steps:

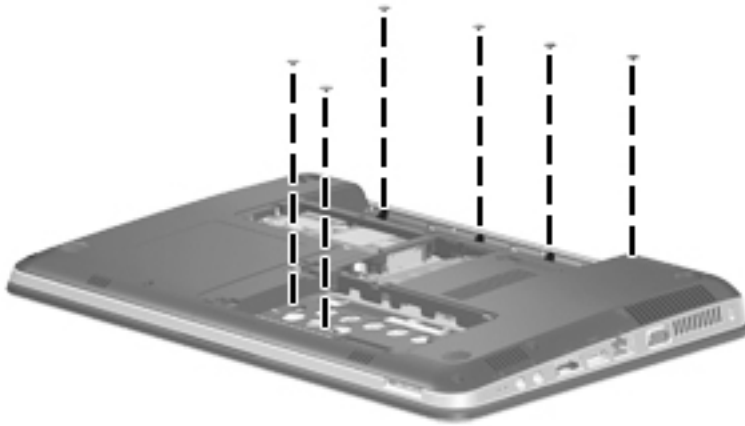
1. Shut down the computer. If you are unsure whether the computer is off or in Hibernation, turn the computer on, and then shut it down through the operating system.
2. Disconnect all external devices connected to the computer.
3. Disconnect the power from the computer by first unplugging the power cord from the AC outlet and then unplugging the AC adapter from the computer.
4. Remove the following components:
 - a. Battery (see [Battery on page 45](#))
 - b. Hard drive (see [Hard drive on page 57](#))
 - c. Optical drive (see [Optical drive on page 60](#))
 - d. Keyboard (see [Keyboard on page 62](#))

Remove the top cover:

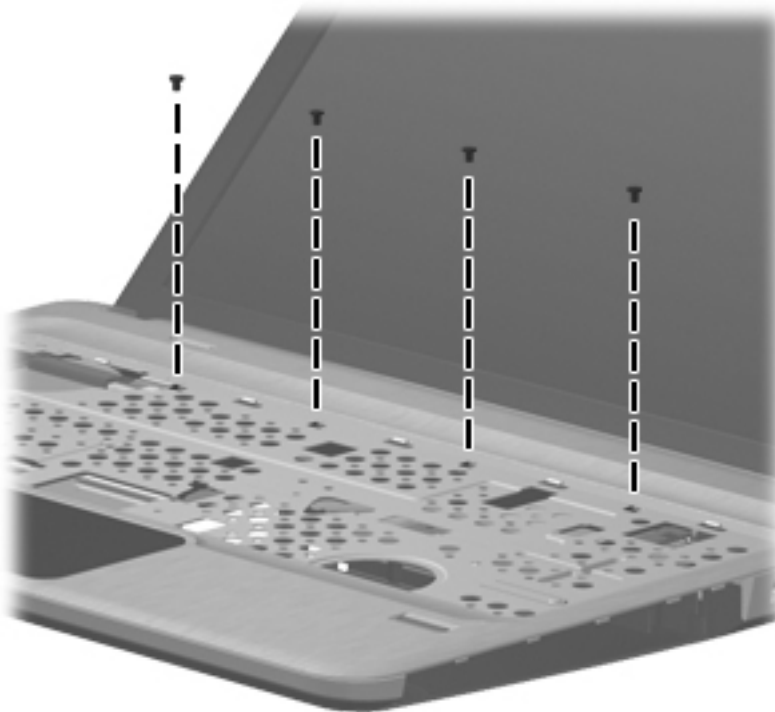
1. Turn the computer upside down with the front toward you.
2. Remove the two feet near the battery (**1**) and the 11 Phillips PM2.5×7.0 screws (**2**) that secure the top cover to the base enclosure. Two of the screws are under the feet.



3. Remove the six Phillips PM2.0x2.0 broadhead screws that secure the top cover to the base enclosure.

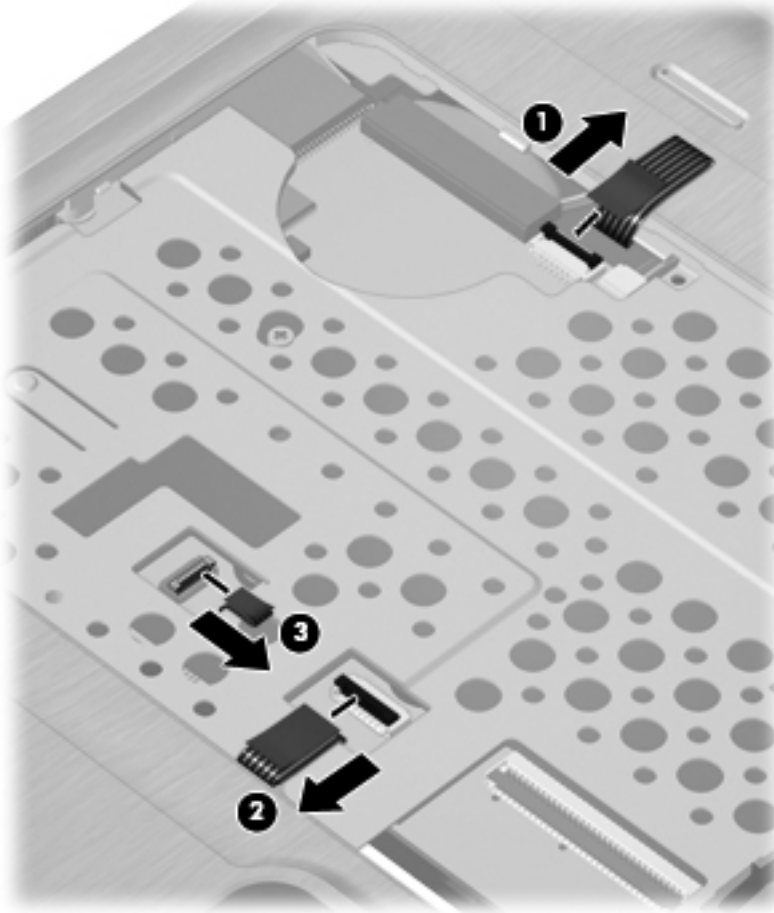


4. Turn the computer right-side up with the front toward you.
5. Open the computer as far as possible.
6. Remove the four Phillips PM2.0x4.0 screws that secure the top cover to the base enclosure, and then disengage the top cover from the base enclosure and lift the top cover up enough to gain access to the cables.



7. Release the ZIF connector to which the power button board is connected and disconnect the cable from the system board **(1)**.

8. Release the ZIF connector to which the TouchPad button board cable is connected and disconnect the cable from the system board **(2)**.
9. Release the ZIF connector to which the fingerprint reader board cable is connected and disconnect the cable from the system board **(3)**.



10. Remove the top cover from the base enclosure.



Reverse this procedure to install the top cover.

Fingerprint reader board

| Description | Spare part number |
|--------------------------|-------------------|
| Fingerprint reader board | 608225-001 |

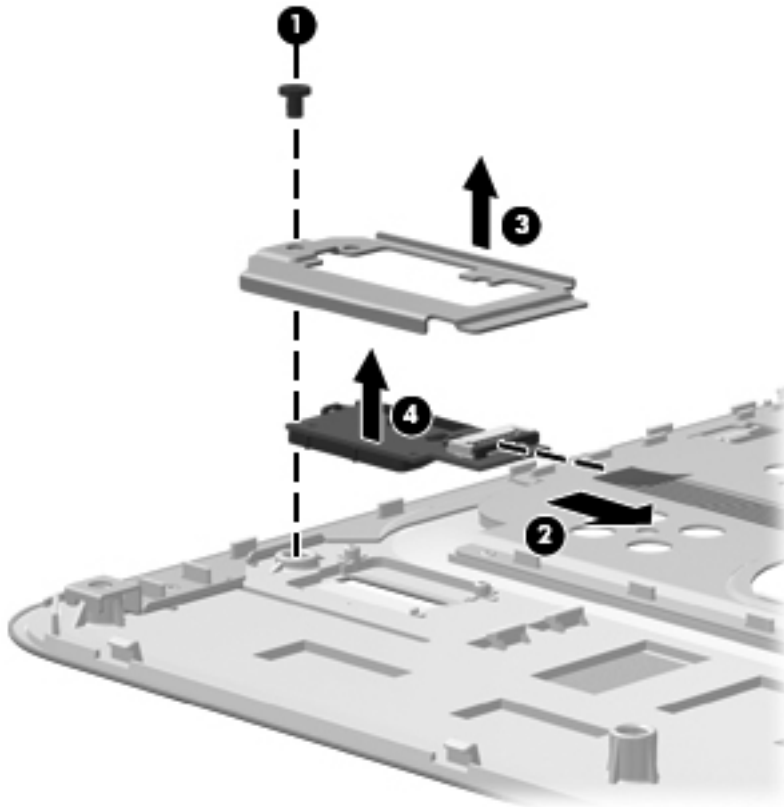
Before removing the fingerprint reader board, follow these steps:

1. Shut down the computer. If you are unsure whether the computer is off or in Hibernation, turn the computer on, and then shut it down through the operating system.
2. Disconnect all external devices connected to the computer.
3. Disconnect the power from the computer by first unplugging the power cord from the AC outlet and then unplugging the AC adapter from the computer.
4. Remove the battery (see [Battery on page 45](#)).
5. Remove the following components:
 - a. Hard drive (see [Hard drive on page 57](#))
 - b. Optical drive (see [Optical drive on page 60](#))
 - c. Keyboard (see [Keyboard on page 62](#))
 - d. Top cover (see [Top cover on page 64](#))


Remove the fingerprint reader board:

1. Turn the top cover upside down, with the front toward you.
2. Remove the Phillips PM2.0×3.0 screw **(1)** that secures the fingerprint reader board and bracket to the top cover.
3. Release the ZIF connector on the fingerprint reader board and disconnect the cable **(2)** from the connector.
4. Remove the fingerprint reader board bracket **(3)** from the top cover.

5. Remove the fingerprint reader board (4) from the top cover.



Reverse the above procedure to install the fingerprint reader board.

 **NOTE:** To reinstall, place the board into the slot, and then place the bracket over it by setting the right side of bracket into the slots. Then replace the screw.

Power button board

| Description | Spare part number |
|-------------------------------------|-------------------|
| Power button board (includes cable) | 608226-001 |

Before removing the power button board, follow these steps:

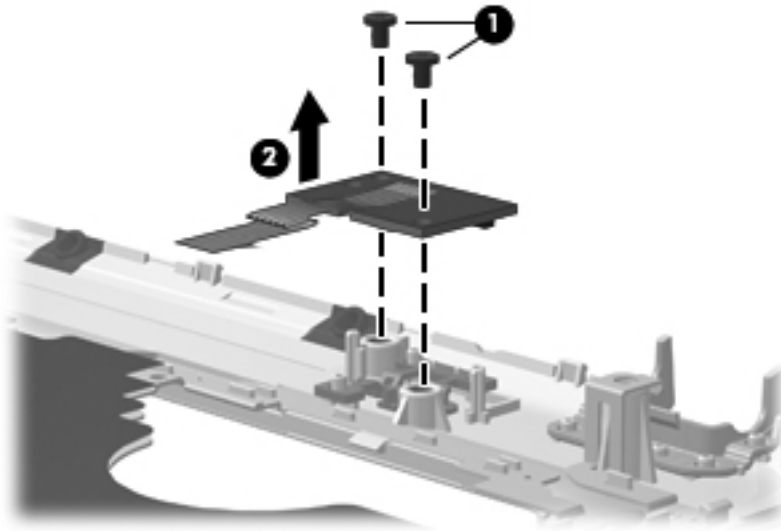
1. Shut down the computer. If you are unsure whether the computer is off or in Hibernation, turn the computer on, and then shut it down through the operating system.
2. Disconnect all external devices connected to the computer.
3. Disconnect the power from the computer by first unplugging the power cord from the AC outlet and then unplugging the AC adapter from the computer.
4. Remove the battery (see [Battery on page 45](#)).
5. Remove the following components:
 - a. Hard drive (see [Hard drive on page 57](#))
 - b. Optical drive (see [Optical drive on page 60](#))
 - c. Keyboard (see [Keyboard on page 62](#))
 - d. Top cover (see [Top cover on page 64](#))

Reverse this procedure to install the power button board.

Remove the power button board:

1. Turn the top cover upside down with the rear edge toward you.
2. Remove the two Phillips PM2.0×3.0 screws **(1)** that secure the power button board to the top cover.

3. Remove the power button board (2).



Reverse the above procedure to install the power button board.

Display assembly

| Description | Spare part number |
|-----------------------------------------------------------------------------------------------------|-------------------|
| 35.56 cm (14.0-in) WXGA Brightview display assembly for use in models equipped with WWAN | 613667-001 |
| 35.56 cm (14.0-in) WXGA Brightview display assembly for use in models not equipped with WWAN | 608207-001 |

Before removing the display assembly, follow these steps:

1. Shut down the computer. If you are unsure whether the computer is off or in Hibernation, turn the computer on, and then shut it down through the operating system.
2. Disconnect all external devices connected to the computer.
3. Disconnect the power from the computer by first unplugging the power cord from the AC outlet and then unplugging the AC adapter from the computer.
4. Remove the battery (see [Battery on page 45](#)).
5. Disconnect the wireless antenna cables from the WLAN module (see [WLAN module on page 50](#)).
6. Remove the following components:
 - a. WLAN module (see [WLAN module on page 50](#))
 - b. WWAN module (see [WWAN module on page 55](#))
 - c. Keyboard (see [Keyboard on page 62](#))

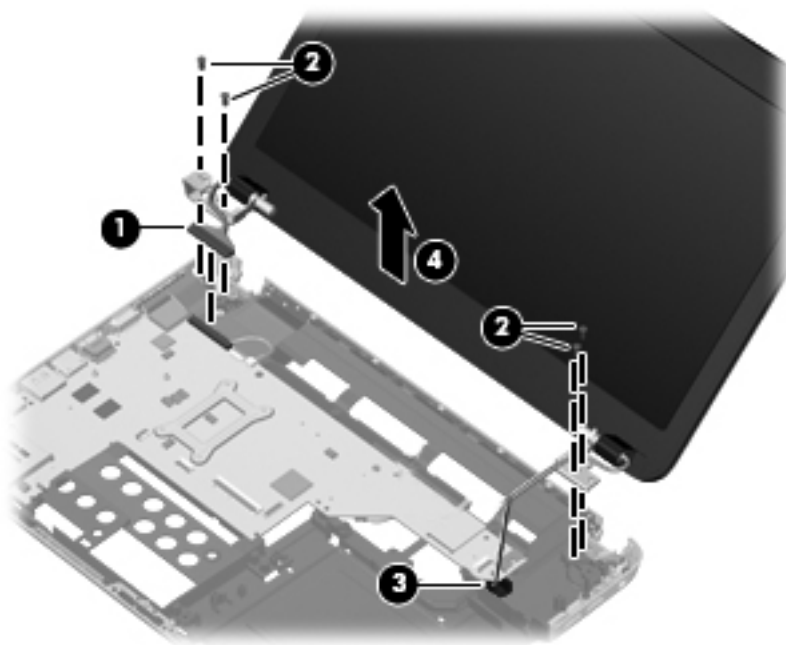
- d. Optical drive (see [Optical drive on page 60](#))
- e. Top cover (see [Top cover on page 64](#))

Remove the display assembly:

1. Turn the computer display-side up, with the front toward you.
2. Open the display as far as possible.
3. Disconnect the display panel cable **(1)** from the system board.
4. Remove the four black Phillips PM2.5×6.5 screws **(2)** that secure the display assembly to the computer.

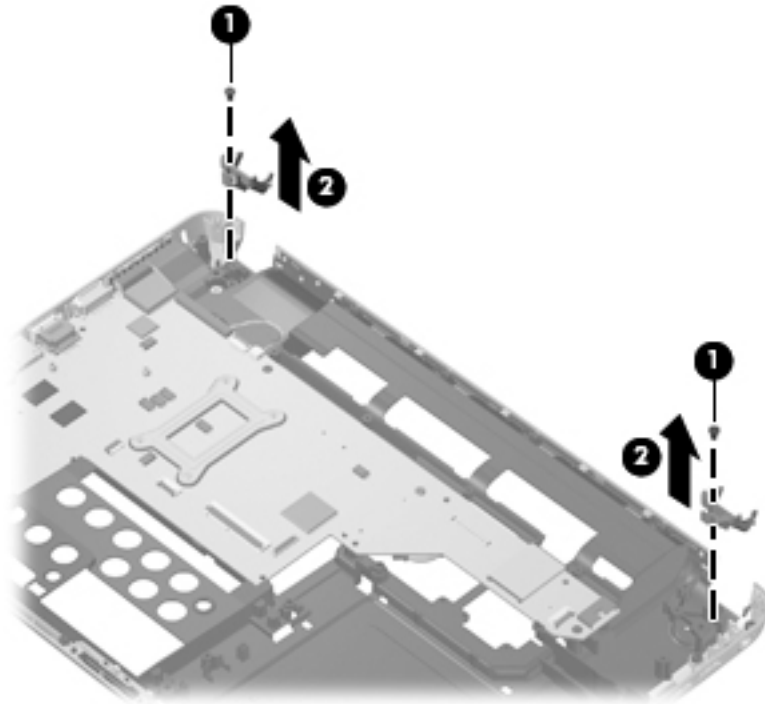
△ **CAUTION:** Support the display assembly when removing the display screws in the following steps. Failure to support the display assembly can result in damage to the assembly and other components.

5. Remove the wireless antenna cables from the hole **(3)** built into the base enclosure.
6. Remove the display assembly **(4)**.



📄 **NOTE:** In the left main display hinge, screws populate the right and left holes in the hinge (no screw in the middle hole). In the right main hinge, screws populate the left two holes in the hinge.

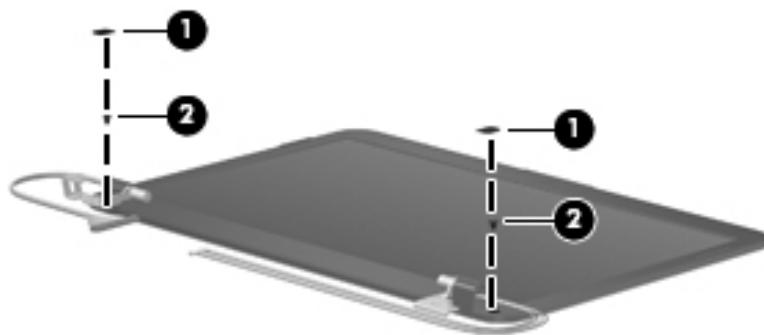
7. If it is necessary to remove the display brackets, remove the two Phillips PM2.0×3.0 screws **(1)** that secure the brackets to base enclosure, and then remove the brackets **(2)**.



8. If it is necessary to replace any of the display assembly internal components, remove the following screw covers and screws. The display screw covers are included in the Display Screw Kit, spare part number 608212-001.

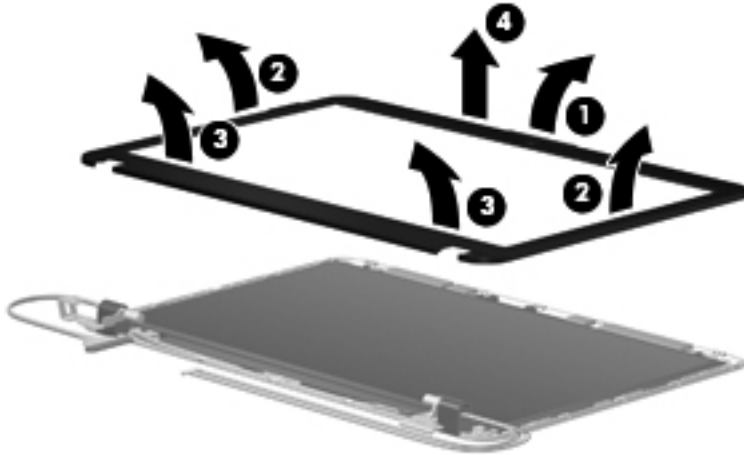
(1) Two Mylar screw covers on the display bezel bottom edge

(2) Two Phillips PM2.5×5.0 screws

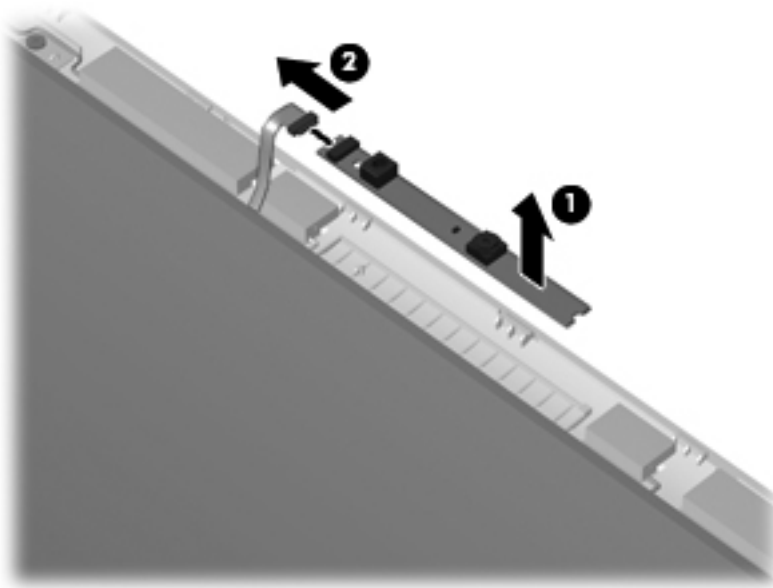


9. Flex the inside edge of the top **(1)**, the left and right sides **(2)**, and the bottom **(3)** of the display bezel until the bezel disengages from the display back cover.

- 10.** Remove the display bezel **(4)**. The display bezel is available using spare part number 608209-001.



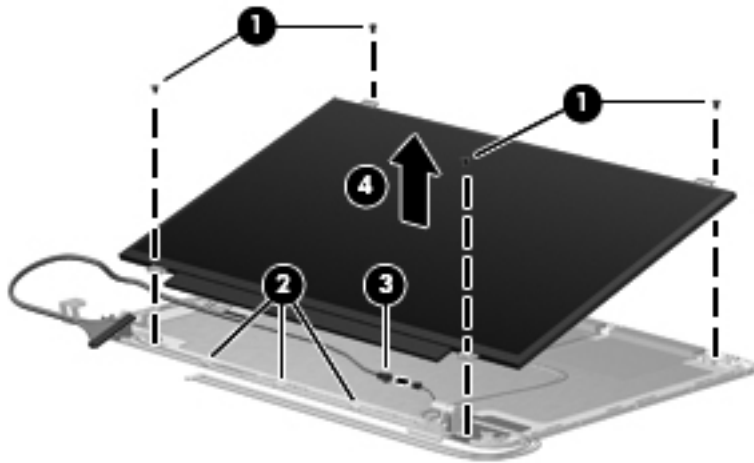
- 11.** If it is necessary to replace the webcam module, lift the webcam from the double-sided tape on the display back cover **(1)**, disconnect the webcam cable **(2)** from the module, and remove the webcam. The webcam is available using spare part number 615744-001.



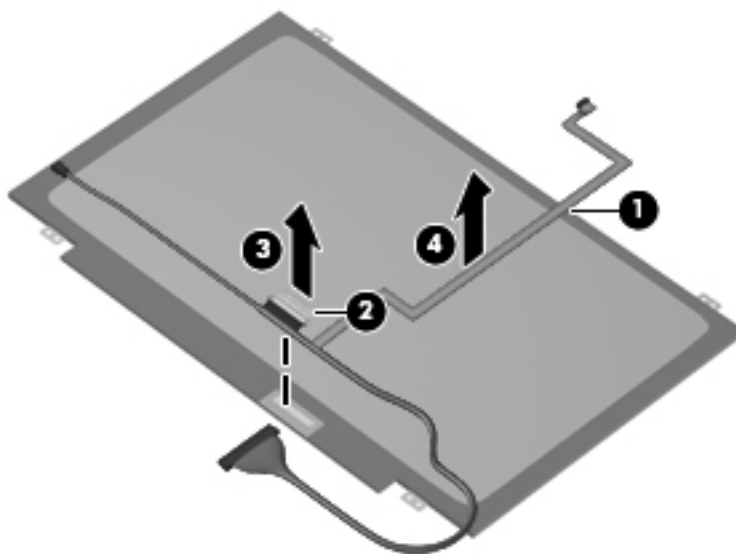
- 12.** If it is necessary to replace the display panel, remove the four Phillips PM2.0x5.0 screws **(1)** that secure the display panel to the display enclosure.

13. Remove the cable from the routing path **(2)** along the bottom of the enclosure, disconnect the display panel cable from the HP logo light cable **(3)**, and then lift the panel from the enclosure **(4)**. The display panel is available using the spare part number 608206-001 for models without WWAN and 613666-001 for models with WWAN.

 **NOTE:** The hinge cover screws are thicker than the other screws.




14. If it is necessary to replace the display cable, follow these steps:
 - a. Turn the display panel upside down in front of you.
 - b. Disengage the webcam cable from the glue securing it to the back of the display **(1)**.
 - c. Peel back the tape that secures the display cable to the display **(2)**.
 - d. Unplug the display cable from the display **(3)**.
 - e. Remove the display cable from the display **(4)**.

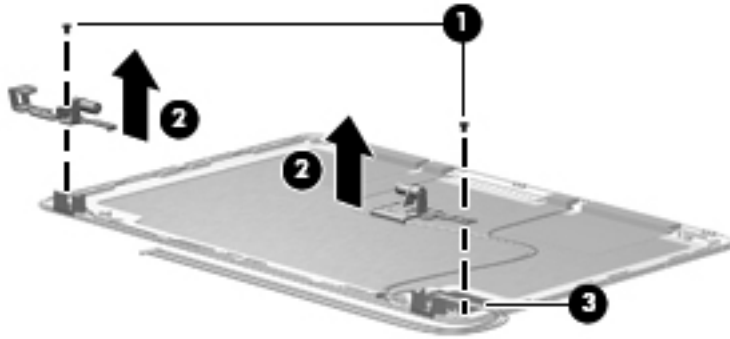


The display cable is available in the Display Cable Kit, spare part number 608211-001.

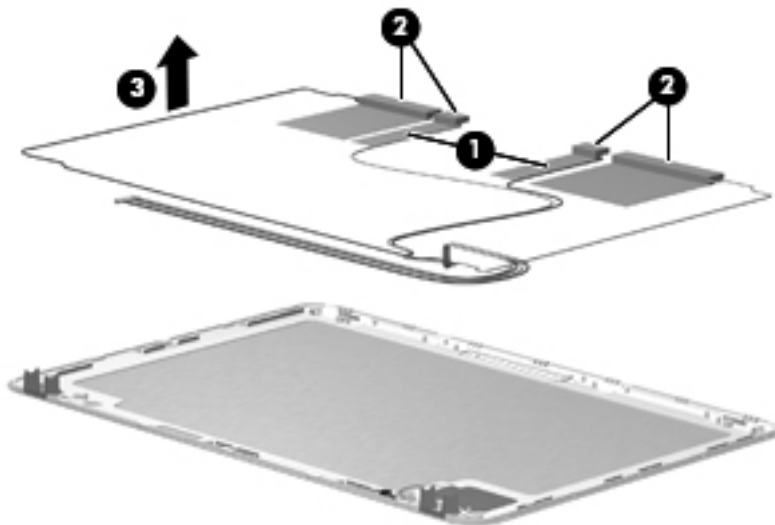
15. If it is necessary to replace the display bracket and hinges, remove the two Phillips PM2.5×5.0 screws **(1)** that secure the brackets to the display.
16. Remove the display hinges **(2)** from the display. The display bracket and hinge set is available using spare part number 608214-001.

 **NOTE:** Note the WLAN antenna routing path through the right hinge **(3)**.

NOTE: The silver screws go on the outside of the hinges.



17. If it is necessary to replace the wireless antennas and cables, remove the adhesive strip **(1)** that secures each antenna to the display back cover.
18. Remove the antennas from the clips **(2)** built into the top of the display enclosure.
19. Remove the wireless antennas and cables **(3)** from the display enclosure. The wireless antennas and cables are included in the Display Cable Kit, spare part number 608211-001.



Reverse this procedure to reassemble and install the display assembly.

USB board

| Description | Spare part number |
|----------------------------|-------------------|
| USB board (includes cable) | 608277-001 |

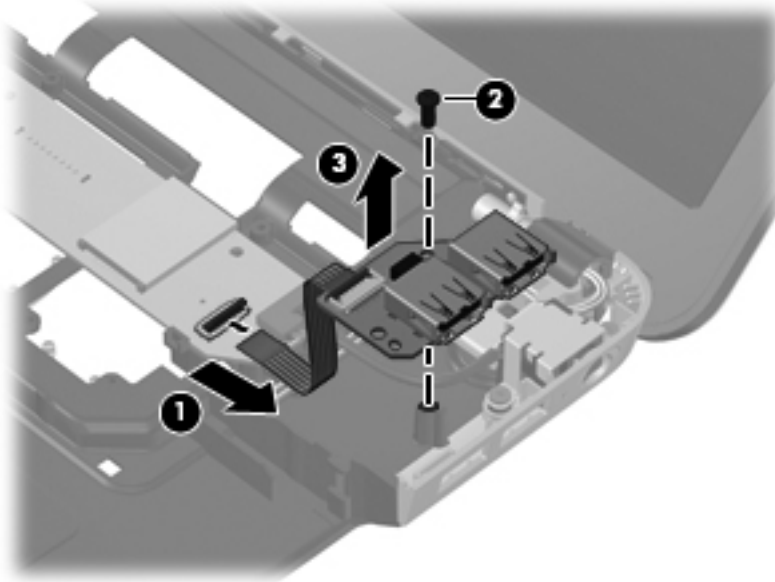
Before removing the USB board, follow these steps:

1. Shut down the computer. If you are unsure whether the computer is off or in Hibernation, turn the computer on, and then shut it down through the operating system.
2. Disconnect all external devices connected to the computer.
3. Disconnect the power from the computer by first unplugging the power cord from the AC outlet and then unplugging the AC adapter from the computer.
4. Remove the battery (see [Battery on page 45](#)).
5. Remove the following components:
 - a. Hard drive (see [Hard drive on page 57](#))
 - b. Optical drive (see [Optical drive on page 60](#))
 - c. Keyboard (see [Keyboard on page 62](#))
 - d. Top cover (see [Top cover on page 64](#))


Remove the USB board:

1. Position the computer upright with the right side toward you.
2. Disconnect the USB board cable **(1)** from the system board.
3. Remove the Phillips PM2.5×5.0 screw **(2)** that secures the USB board to the base enclosure.

4. Lift the USB board straight up **(3)** to remove it from the computer.



Reverse this procedure to install the USB board.

 **NOTE:** When reinstalling note that the screw goes into the upper hole.

Power connector cable

| Description | Spare part number |
|------------------------------------------------------|-------------------|
| Power connector cable (includes cable and connector) | 608273-001 |

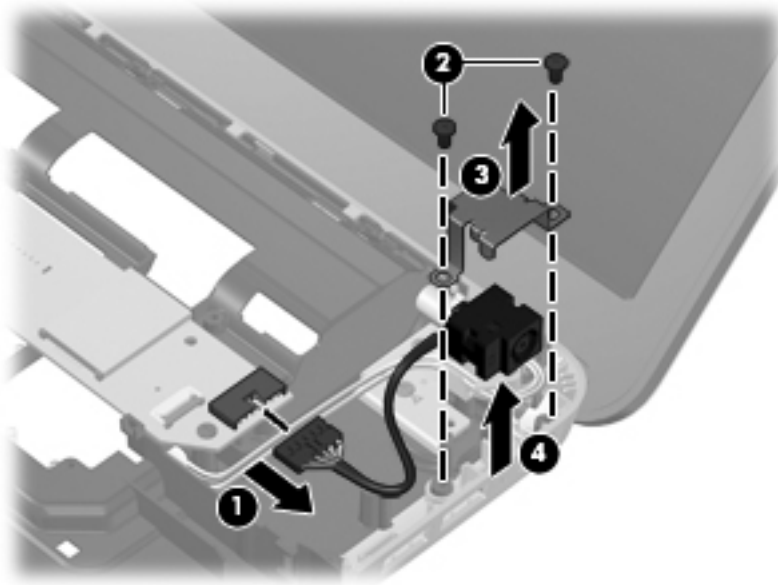
Before removing the power connector cable, follow these steps:

1. Shut down the computer. If you are unsure whether the computer is off or in Hibernation, turn the computer on, and then shut it down through the operating system.
2. Disconnect all external devices connected to the computer.
3. Disconnect the power from the computer by first unplugging the power cord from the AC outlet and then unplugging the AC adapter from the computer.
4. Remove the battery (see [Battery on page 45](#)).
5. Remove the following components:
 - a. Hard drive (see [Hard drive on page 57](#))
 - b. Optical drive (see [Optical drive on page 60](#))
 - c. Keyboard (see [Keyboard on page 62](#))

- d. Top cover (see [Top cover on page 64](#))
- e. USB board (see [USB board on page 76](#))


Remove the power connector cable:

1. Turn the computer upright with the right side toward you.
2. Disconnect the power connector cable **(1)** from the system board.
3. Remove the two Phillips PM2.5×5.0 screws **(2)** that secure the power connector cable to the base enclosure.
4. Lift the bracket from the connector **(3)**.
5. Remove the power connector **(4)** from the base enclosure.



Reverse this procedure to install the power connector cable.

Bluetooth module

 **NOTE:** The Bluetooth module cable is included in the Misc Cable Kit, spare part number 608227-001.

| Description | Spare part number |
|------------------|-------------------|
| Bluetooth module | 537921-001 |

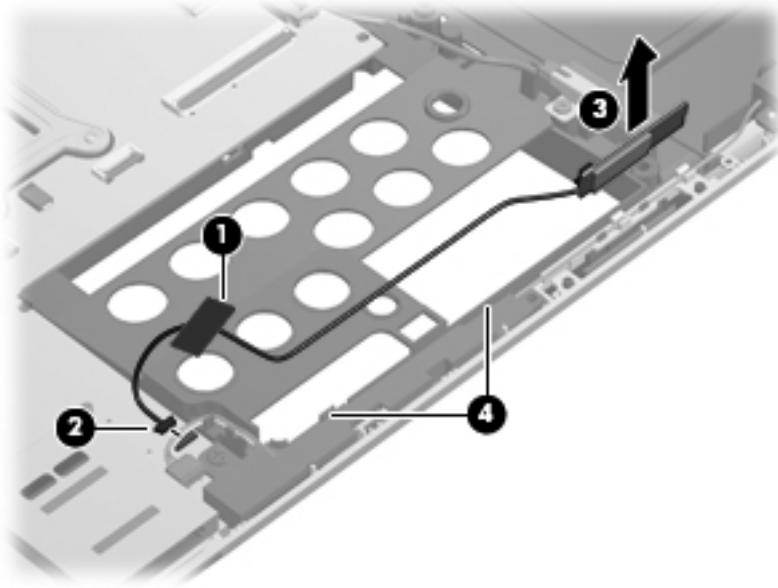
Before removing the Bluetooth module, follow these steps:

1. Shut down the computer. If you are unsure whether the computer is off or in Hibernation, turn the computer on, and then shut it down through the operating system.
2. Disconnect all external devices connected to the computer.
3. Disconnect the power from the computer by first unplugging the power cord from the AC outlet and then unplugging the AC adapter from the computer.
4. Remove the battery (see [Battery on page 45](#)).
5. Remove the following components:
 - a. Hard drive (see [Hard drive on page 57](#))
 - b. Optical drive (see [Optical drive on page 60](#))
 - c. Keyboard (see [Keyboard on page 62](#))
 - d. Top cover (see [Top cover on page 64](#))

Remove the Bluetooth module:

1. Position the computer upright with the front toward you.
2. Lift the tape near the system board connector **(1)** that secures the Bluetooth module cable to the system board.
3. Disconnect the cable from the system board **(2)**.

4. Remove the Bluetooth module and cable from the slot in the base enclosure **(3)**, while noting the cable routing path atop the speaker **(4)**.



Reverse the above procedure to install the Bluetooth module.

Speaker assembly

| Description | Spare part number |
|------------------|-------------------|
| Speaker assembly | 608232-001 |

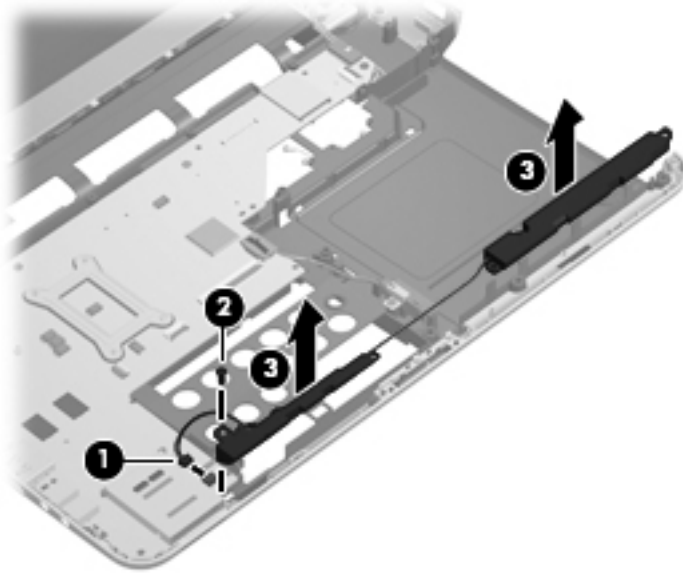
Before removing the speaker assembly, follow these steps:

1. Shut down the computer. If you are unsure whether the computer is off or in Hibernation, turn the computer on, and then shut it down through the operating system.
2. Disconnect all external devices connected to the computer.
3. Disconnect the power from the computer by first unplugging the power cord from the AC outlet and then unplugging the AC adapter from the computer.
4. Remove the battery (see [Battery on page 45](#)).
5. Remove the following components:
 - a. Optical drive (see [Optical drive on page 60](#))
 - b. Keyboard (see [Keyboard on page 62](#))
 - c. Top cover (see [Top cover on page 64](#))
 - d. Bluetooth module (see [Bluetooth module on page 79](#)).

Remove the speaker assembly:


1. Position the computer upright with the front toward you.
2. Disconnect the speaker cable from the system board **(1)**.
3. Remove the Phillips PM2.0×4.0 screw **(2)** that secures the speaker assembly to the base enclosure.

4. Lift the speaker assembly straight up **(3)** to remove it from the base enclosure.



Reverse this procedure to install the speaker assembly.

System board

 **NOTE:** All system board kits include replacement thermal material.

| Description | Spare part number |
|------------------------------------------------------------------------------------|-------------------|
| System board for use in models with 1 GB of HD5450 discrete graphics memory | 616244-001 |
| System board for use in models with 512 MB of HD5450 discrete graphics memory | 608203-001 |
| System board for use in HM55 models with 512 MB of HD5470 discrete graphics memory | 621044-001 |
| System board for use in HM55 models with 1 GB of HD5470 discrete graphics memory | 621045-001 |
| System board for use in HM55 models with 512 MB of HD6370 discrete graphics memory | 630713-001 |
| System board for use in HM55 models with 1 GB of HD6370 discrete graphics memory | 630714-001 |
| System board for use in models with UMA graphics | 608204-001 |
| System board for use in HM55 models with WiMAX and UMA graphics | 633863-001 |

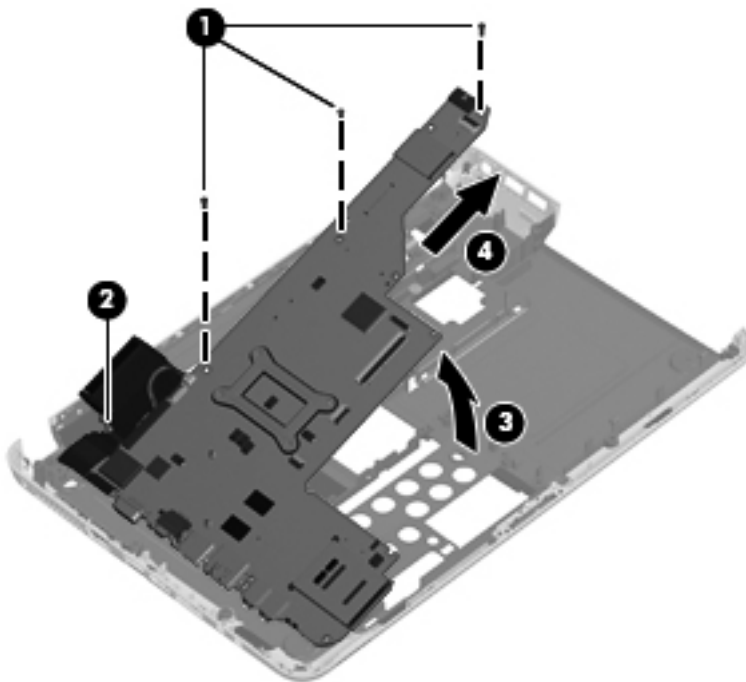
When replacing the system board, be sure that the following components are removed from the defective system board and installed on the replacement system board:

- SIM (see [SIM on page 46](#))
- RTC battery (see [RTC battery on page 49](#))
- Memory modules (see [Memory module on page 47](#))
- WLAN module (see [WLAN module on page 50](#))
- WWAN module (see [WWAN module on page 55](#))
- Fan/heat sink assembly (see [Fan/heat sink assembly on page 85](#))
- Processor (see [Processor on page 90](#))

Before removing the system board, follow these steps:


1. Shut down the computer. If you are unsure whether the computer is off or in Hibernation, turn the computer on, and then shut it down through the operating system.
2. Disconnect all external devices connected to the computer.
3. Disconnect the power from the computer by first unplugging the power cord from the AC outlet and then unplugging the AC adapter from the computer.
4. Remove the battery (see [Battery on page 45](#)).
5. Remove the following components:
 - a. Hard drive (see [Hard drive on page 57](#))
 - b. WLAN module (see [WLAN module on page 50](#))
 - c. WWAN module (see [WWAN module on page 55](#))

- d. Optical drive (see [Optical drive on page 60](#))
 - e. Keyboard (see [Keyboard on page 62](#))
 - f. Top cover (see [Top cover on page 64](#))
 - g. Speaker assembly (see [Speaker assembly on page 81](#))
 - h. Display assembly (see [Display assembly on page 70](#))
 - i. USB board (see [USB board on page 76](#))
 - j. Power connector cable (see [Power connector cable on page 77](#))
1. Turn the computer upright with the left side toward you.
 2. Remove the three Phillips PM2.5×5.0 screws **(1)** that secure the system board to the computer.
 3. Loosen the captive screw in the fan sink that secures the system board **(2)**.
 4. Lift the right side of the system board **(3)**.
 5. Release the system board by sliding it to the right at an angle **(4)** until the connectors on the left side of the system board clear the base enclosure, and then remove the system board.




Reverse the preceding procedure to install the system board.

Fan/heat sink assembly

 **NOTE:** All fan/heat sink assembly kits include replacement thermal material.


| Description | Spare part number |
|-----------------------------------------------------------------|-------------------|
| Fan/heat sink assembly for use in models with UMA graphics | 608229-001 |
| Fan/heat sink assembly for use in models with discrete graphics | 608231-001 |

 **NOTE:** To properly ventilate the computer, allow at least a **7.6-cm** (3-inch) clearance on the right side and rear panel of the computer. The computer uses an electric fan for ventilation. The fan is controlled by a temperature sensor and is designed to turn on automatically when high temperature conditions exist. These conditions are affected by high external temperatures, system power consumption, power management/battery conservation configurations, battery fast charging, and software requirements. Exhaust air is displaced through the ventilation grill located on the left side of the computer.

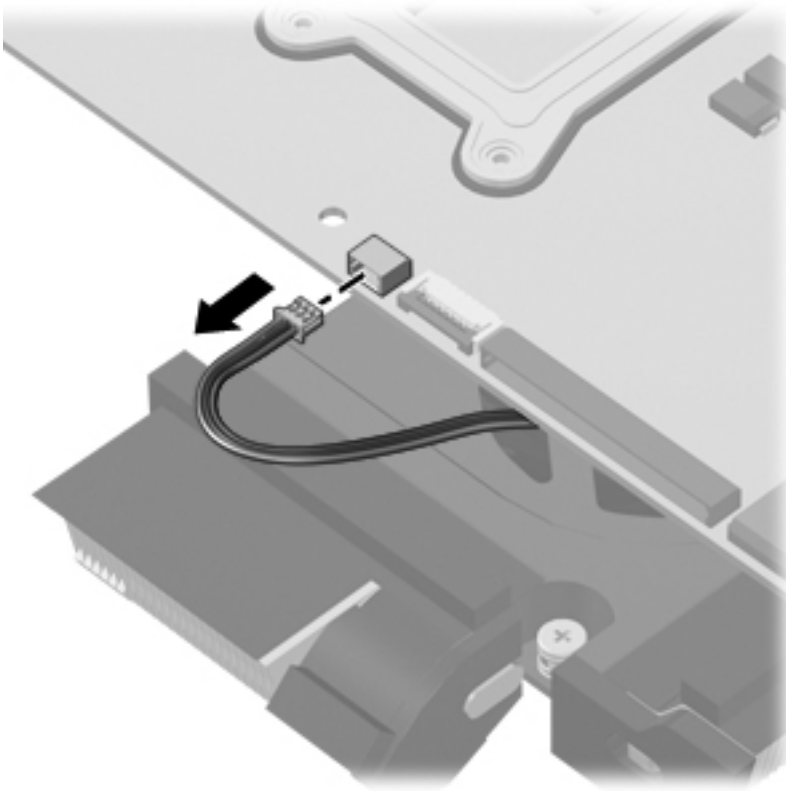
Before removing the fan/heat sink assembly, follow these steps:

1. Shut down the computer. If you are unsure whether the computer is off or in Hibernation, turn the computer on, and then shut it down through the operating system.
2. Disconnect all external devices connected to the computer.
3. Disconnect the power from the computer by first unplugging the power cord from the AC outlet and then unplugging the AC adapter from the computer.
4. Remove the battery (see [Battery on page 45](#)).
5. Remove the following components:
 - a. Hard drive (see [Hard drive on page 57](#))
 - b. WLAN module (see [WLAN module on page 50](#))
 - c. WWAN module (see [WWAN module on page 55](#))
 - d. Optical drive (see [Optical drive on page 60](#))
 - e. Keyboard (see [Keyboard on page 62](#))
 - f. Top cover (see [Top cover on page 64](#))
 - g. Speaker assembly (see [Speaker assembly on page 81](#))
 - h. Power connector cable (see [Power connector cable on page 77](#))
 - i. USB board (see [USB board on page 76](#)).
 - j. Display assembly (see [Display assembly on page 70](#))
 - k. System board (see [System board on page 83](#))


Remove the fan/heat assembly (fan/heat sink appearance may vary):

 **NOTE:** Steps 1 through 4 apply to computers with discrete subsystem memory on the system board. Steps 5 through 7 apply to computers with UMA subsystem memory.

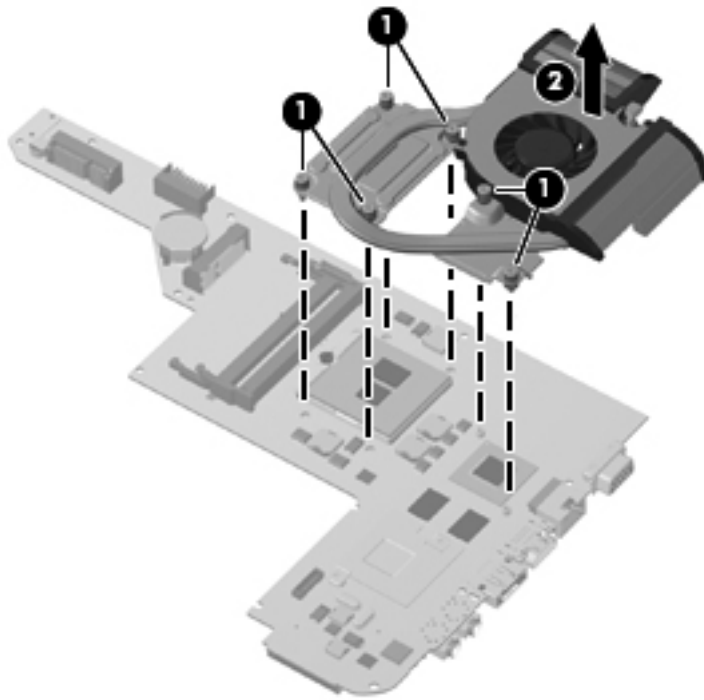
1. Turn the system board upside down.
2. Disconnect the fan cable from the system board.



3. Follow the sequence embossed on heat sink to loosen the six Phillips PM2.5×7.0 captive screws **(1)** that secure the fan/heat sink assembly to the system board.

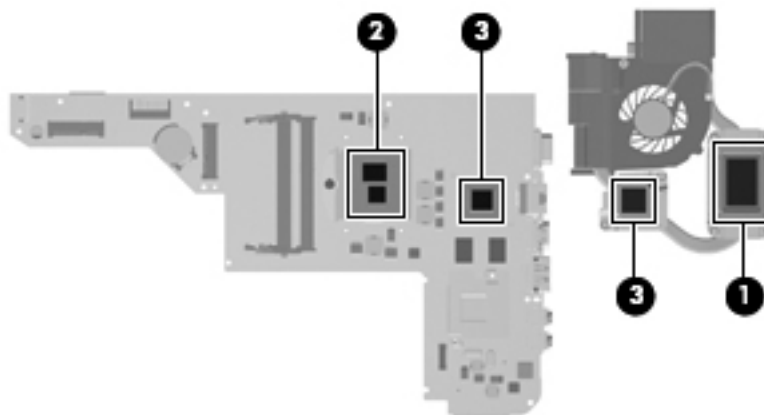
 **NOTE:** Due to the adhesive quality of the thermal material located between the fan/heat sink assembly and system board components, it may be necessary to move the fan/heat sink assembly from side to side to detach the assembly.


4. Remove the fan/heat sink assembly **(2)**.



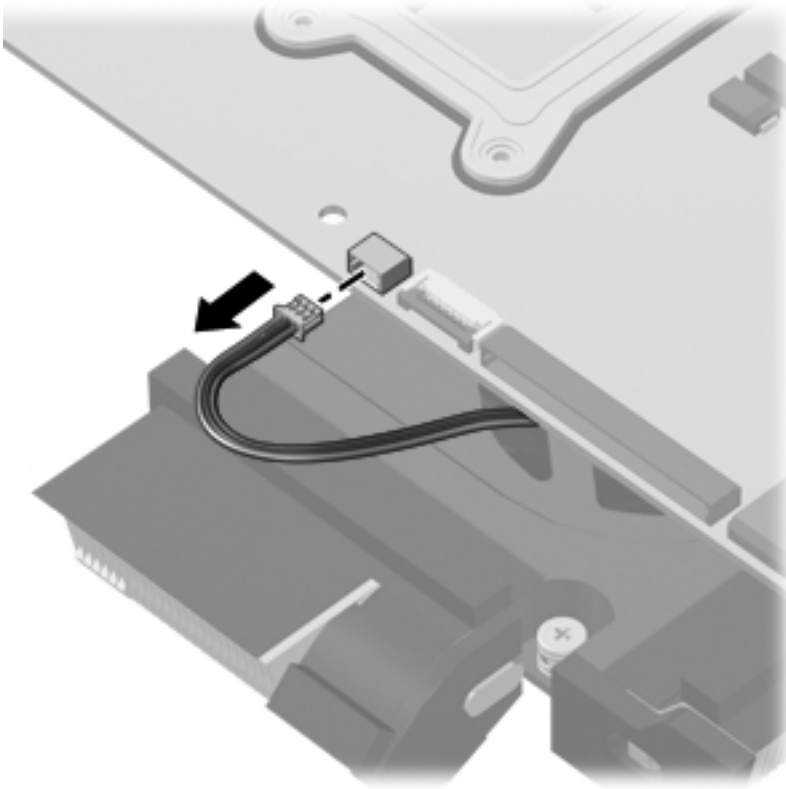
The thermal material must be thoroughly cleaned from the surfaces of the fan/heat sink assembly **(1)**, **(3)** and the processor **(2)** and graphics processor **(3)** on the system board each time the fan/heat sink assembly is removed. Thermal pads and thermal paste must be installed on all surfaces before the fan/heat sink assembly is reinstalled.

The following illustration shows the locations for thermal material on systems with discrete graphics subsystems.




 **NOTE:** Steps 5 through 7 apply to computers with UMA subsystem memory on the system board. Steps 1 through 4 apply to computers with discrete subsystem memory.

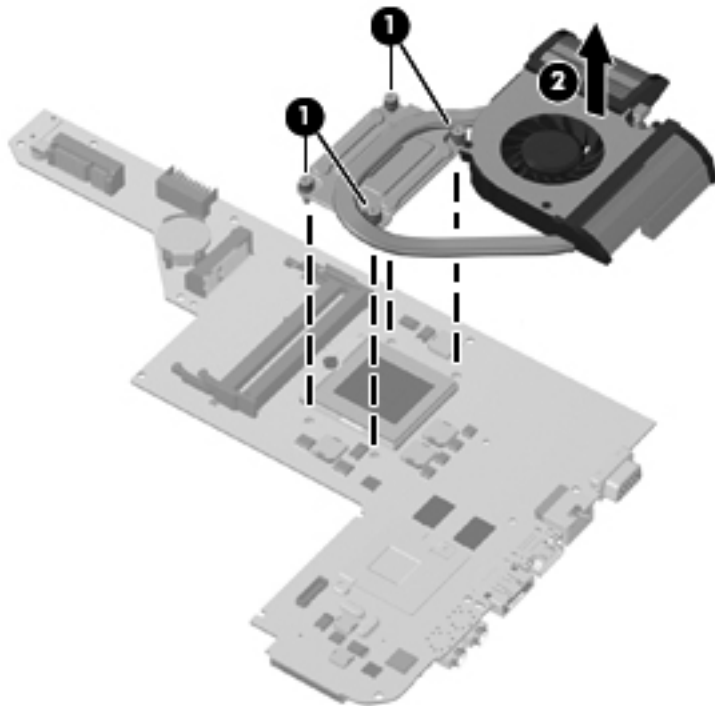
5. Disconnect the fan cable from the system board.




6. Follow the sequence embossed on heat sink to loosen the four Phillips PM2.5×7.0 captive screws **(1)** that secure the fan/heat sink assembly to the system board.

 **NOTE:** Due to the adhesive quality of the thermal material located between the fan/heat sink assembly and system board components, it may be necessary to move the fan/heat sink assembly from side to side to detach the assembly.

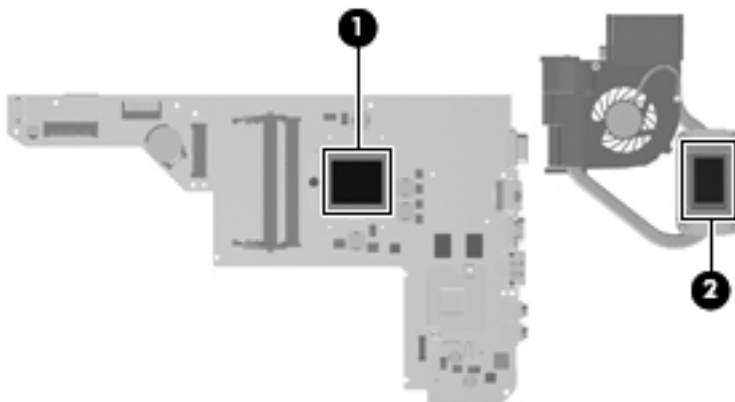
7. Remove the fan/heat sink assembly **(2)**.



The thermal material must be thoroughly cleaned from the surface of the processor component **(1)** and the fan/heat sink assembly **(2)** each time the fan/heat sink assembly is removed. Thermal pads and thermal paste must be installed on all surfaces before the fan/heat sink assembly is reinstalled.


 **NOTE:** Thermal pads and thermal paste are included with all fan/heat sink assembly, system board, and processor spare part kits.

The following illustration shows the locations for thermal material on systems with UMA graphics subsystems.



Reverse this procedure to install the fan/heat sink assembly.

Processor

 **NOTE:** All processor spare part kits include thermal material.

| Description | Spare part number |
|--------------------------------------------------------------------------------------------|-------------------|
| Intel Core i7 640M Dual Core processor, 2.80-GHz (SC turbo up to 3.33-GHz), 4-Mb L3 cache | 625286-001 |
| Intel Core i7 620M Dual Core processor, 2.26-GHz (SC turbo up to 3.33-GHz), 4-Mb L3 cache | 587259-001 |
| Intel Core i5 580M Dual Core processor, 2.66-GHz (SC turbo up to 3.33-GHz), 3-MB L3 cache | 625825-001 |
| Intel Core i5 560M Dual Core processor, 2.66-GHz (SC turbo up to 3.2-GHz), 3-MB L3 cache | 625824-001 |
| Intel Core i5 540M Dual Core processor, 2.53-GHz, (SC turbo up to 3.60-GHz), 3-MB L3 cache | 594188-001 |
| Intel Core i5 520M Dual Core processor, 2.40-GHz (SC turbo up to 2.93-GHz), 3-MB L3 cache | 594187-001 |
| Intel Core i5 480M Dual Core processor, 2.66-GHz, 3-MB L3 cache | 634693-001 |
| Intel Core i5 460M Dual Core processor, 2.53-GHz, 3-MB L3 cache | 626039-001 |
| Intel Core i5 450M Dual Core processor, 2.40-GHz, 3-MB L3 cache | 613585-001 |
| Intel Core i5 430M Dual Core processor, 2.26-GHz, 3-MB L3 cache | 597624-001 |


Before removing the processor, follow these steps:

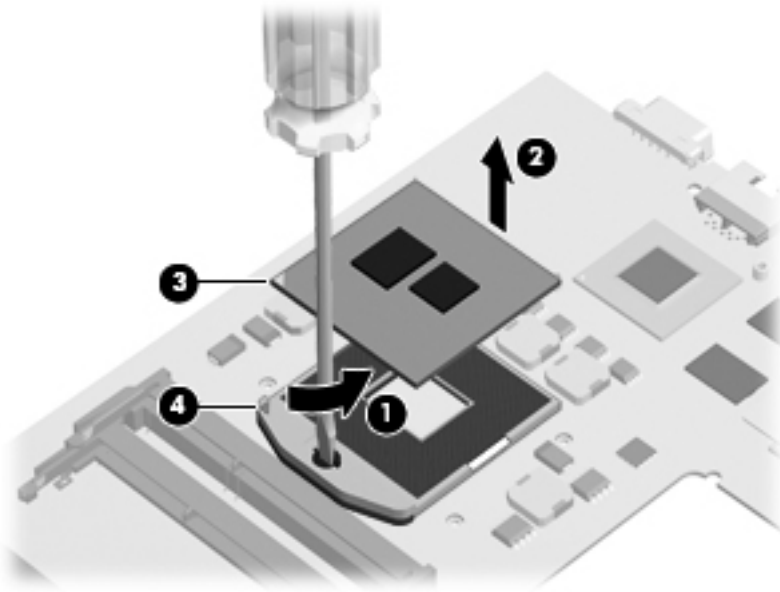
1. Shut down the computer. If you are unsure whether the computer is off or in Hibernation, turn the computer on, and then shut it down through the operating system.
2. Disconnect all external devices connected to the computer.
3. Disconnect the power from the computer by first unplugging the power cord from the AC outlet and then unplugging the AC adapter from the computer.
4. Remove the battery (see [Battery on page 45](#)).
5. Remove the following components:
 - a. Hard drive (see [Hard drive on page 57](#))
 - b. WLAN module (see [WLAN module on page 50](#))
 - c. WWAN module (see [WWAN module on page 55](#))
 - d. Optical drive (see [Optical drive on page 60](#))
 - e. Keyboard (see [Keyboard on page 62](#))
 - f. Top cover (see [Top cover on page 64](#))
 - g. Speaker assembly (see [Speaker assembly on page 81](#))
 - h. Power connector cable (see [Power connector cable on page 77](#))
 - i. USB board (see [USB board on page 76](#))
 - j. Display assembly (see [Display assembly on page 70](#))

- k. System board (see [System board on page 83](#))
- l. Fan/heat sink assembly (see [Fan/heat sink assembly on page 85](#))

Remove the processor:

1. Turn the processor locking screw **(1)** one-half turn counterclockwise until you hear a click.
2. Lift the processor **(2)** straight up and remove it.

 **NOTE:** The gold triangle **(3)** on the processor must be aligned with the triangle icon **(4)** embossed on the processor socket when you install the processor.




Reverse this procedure to install the processor.

5 Setup Utility

Starting Setup Utility

Setup Utility is a ROM-based information and customization utility that can be used even when your Windows operating system is not working.

 **NOTE:** The fingerprint reader cannot be used to access Setup Utility.

The utility reports information about the computer and provides settings for startup, security, and other preferences.

To start Setup Utility:

▲ Open Setup Utility by turning on or restarting the computer. While the “Press the ESC key for Startup Menu” message is displayed in the lower-left corner of the screen, press **f10**.

– or –

1. Open Setup Utility by turning on or restarting the computer. While the “Press the ESC key for Startup Menu” message is displayed in the lower-left corner of the screen, press **esc**.
2. When the Startup Menu is displayed, press **f10**.

Using Setup Utility

Changing the language of Setup Utility

The following procedure explains how to change the language of Setup Utility. If Setup Utility is not already running, begin at step 1. If Setup Utility is already running, begin at step 2.

1. Open Setup Utility by turning on or restarting the computer. While the “Press the ESC key for Startup Menu” message is displayed in the lower-left corner of the screen, press **f10**.

– or –

Open Setup Utility by turning on or restarting the computer. While the “Press the ESC key for Startup Menu” message is displayed in the lower-left corner of the screen, press **esc**. When the Startup Menu is displayed, press **f10**.

2. Use the arrow keys to select **System Configuration > Language**, and then press **enter**.
3. Use the arrow keys to select a language, and then press **enter**.

4. When a confirmation prompt with your language selected is displayed, press [enter](#).
5. To save your change and exit Setup Utility, use the arrow keys to select **Exit > Exit Saving Changes**, and then press [enter](#).

Your change goes into effect immediately.

Navigating and selecting in Setup Utility

Because Setup Utility is not Windows based, it does not support the TouchPad. Navigation and selection are by keystroke.

- To choose a menu or a menu item, use the arrow keys.
- To choose an item in a list or to toggle a field, for example an Enable/Disable field, use either the arrow keys or [f5](#) or [f6](#).
- To select an item, press [enter](#).
- To close a text box or return to the menu display, press [esc](#).
- To display additional navigation and selection information while Setup Utility is open, press [f1](#).

Displaying system information

The following procedure explains how to display system information in Setup Utility. If Setup Utility is not open, begin at step 1. If Setup Utility is open, begin at step 2.

1. Open Setup Utility by turning on or restarting the computer. While the “Press the ESC key for Startup Menu” message is displayed in the lower-left corner of the screen, press [f10](#).

– or –

Open Setup Utility by turning on or restarting the computer. While the “Press the ESC key for Startup Menu” message is displayed in the lower-left corner of the screen, press [esc](#). When the Startup Menu is displayed, press [f10](#).

2. Select the **Main** menu. System information such as the system time and date, and identification information about the computer is displayed.
3. To exit Setup Utility without changing any settings, use the arrow keys to select **Exit > Exit Discarding Changes**, and then press [enter](#).

Restoring default settings in Setup Utility

The following procedure explains how to restore the Setup Utility default settings. If Setup Utility is not already running, begin at step 1. If Setup Utility is already running, begin at step 2.


1. Open Setup Utility by turning on or restarting the computer. While the “Press the ESC key for Startup Menu” message is displayed in the lower-left corner of the screen, press **f10**.

– or –

Open Setup Utility by turning on or restarting the computer. While the “Press the ESC key for Startup Menu” message is displayed in the lower-left corner of the screen, press **esc**. When the Startup Menu is displayed, press **f10**.

2. Use the arrow keys to select **Exit > Load Setup Defaults**, and then press **enter**.
3. When the Setup Confirmation is displayed, press **enter**.
4. To save your change and exit Setup Utility, use the arrow keys to select **Exit > Exit Saving Changes**, and then press **enter**.

The Setup Utility default settings go into effect when the computer restarts.

 **NOTE:** Your password, security, and language settings are not changed when you restore the factory default settings.

Exiting Setup Utility


You can exit Setup Utility with or without saving changes.

- To exit Setup Utility and save your changes from the current session:
If the Setup Utility menus are not visible, press **esc** to return to the menu display. Then, use the arrow keys to select **Exit > Exit Saving Changes**, and then press **enter**.
- To exit Setup Utility without saving your changes from the current session:
If the Setup Utility menus are not visible, press **esc** to return to the menu display. Then, use the arrow keys to select **Exit > Exit Discarding Changes**, and then press **enter**.

After either choice, the computer restarts in Windows.

Setup Utility menus

The menu tables in this section provide an overview of Setup Utility options.

 **NOTE:** Some of the Setup Utility menu items listed in this chapter may not be supported by your computer.

Main menu

| Select | To do this |
|--------------------|---------------------------------------------------------------------------------------------------------------------------------------------------------------------------------------------------------------------------------------------------------------------------------------------------------|
| System information | <ul style="list-style-type: none">• View and change the system time and date.• View identification information about the computer.• View specification information about the processor, memory size, system BIOS, and keyboard controller version (select models only). |

Security menu

| Select | To do this |
|------------------------|-----------------------------------------------------|
| Administrator password | Enter, change, or delete an administrator password. |
| Power-On Password | Enter, change, or delete a power-on password. |

System Configuration menu

| Select | To do this |
|----------------------------------------------------|---------------------------------------------------------------------------------------------|
| Language Support | Change the Setup Utility language. |
| Button Sound (select models only) | Enable/disable the capacitive button tapping sound. |
| Virtualization Technology (select models only) | Enable/disable the processor Virtualization Technology. |
| Processor C6 State (select models only) | Enable/disable the processor C6 sleep state. |
| LAN Power Saving (select models only) | Enable/disable LAN Power Saving. When enabled, saves power when the computer is in DC mode. |
| Card Reader/1394 Power Saving (select models only) | Enable/disable Card Reader/1394 Power Saving. |

| Select | To do this |
|---------------|-------------------------------------------------------------------------------------------------------------------------------------------------------------------------------------------------------------------------------------------------------------------------------------------------------------------------------------------------------------------------------------------------------------------------------------------------------------------------------------------------------------------------------------------------------------------------------------------------------------------------------------------------------------------------------------------------------------------------------------------------------------------|
| Fan Always On | Enable/disable Fan Always On. When enabled, the computer fan will always be on. |
| Boot Options | <p>Set the following boot options:</p> <ul style="list-style-type: none"> • f10 and f12 Delay (seconds)—Set the delay for the f10 and f12 functions of Setup Utility in intervals of 5 seconds each (0, 5, 10, 15, 20). • CD-ROM boot—Enable/disable boot from CD-ROM. • Floppy boot—Enable/disable boot from diskette. • Internal Network Adapter boot—Enable/disable boot from Internal Network Adapter. • Boot Order—Set the boot order for: <ul style="list-style-type: none"> ◦ Hard drive ◦ Internal CD/DVD ROM drive ◦ USB Diskette on Key/USB hard disk ◦ USB CD/DVD ROM drive ◦ USB floppy ◦ Network adapter |

Diagnostics menu

| Select | To do this |
|----------------------------------------------------|----------------------------------------------------------------------------------------------------------------------------------------------------------------------------|
| Hard Disk Self Test | <p>Run a comprehensive self test on the hard drive.</p> <p>NOTE: On models with two hard drives, this menu option is called Primary Hard Disk Self Test.</p> |
| Secondary Hard Disk Self Test (select models only) | Run a comprehensive self test on a secondary hard drive. |
| Memory Test | Run a diagnostic test on the system memory. |

6 Specifications

Computer specifications

| Dimensions | |
|-------------------------------------------------------------------------------------------------------------------------------------------------------------|------------------------------------------------|
| Depth | 22.8 cm (8.98 in) |
| Width | 34.8 cm (13.70 in) |
| Height (front to rear) | 2.5 to 3.2 cm (0.98 to 1.26 in) |
| Weight (lowest weight configuration) | < 2.00 kg (4.42 lbs) |
| Input power | |
| Operating voltage | 18.5 V dc @ 4.74 A – 90 W |
| Operating current | 4.74 A |
| Temperature | |
| Operating (not writing to optical disc) | 0°C to 35°C (32°F to 95°F) |
| Operating (writing to optical disc) | 5°C to 35°C (41°F to 95°F) |
| Nonoperating | -20°C to 60°C (-4°F to 140°F) |
| Relative humidity | |
| Operating | 10% to 90% |
| Nonoperating | 5% to 95% |
| Maximum altitude (unpressurized) | |
| Operating | -15 m to 3,048 m (-50 ft to 10,000 ft) |
| Nonoperating | -15 m to 12,192 m (-50 ft to 40,000 ft) |
| NOTE: Applicable product safety standards specify thermal limits for plastic surfaces. The computer operates well within this range of temperatures. | |

35.56-cm (14.0-in) display specifications

| Dimensions | |
|--------------------------|----------------------------|
| Active diagonal size | 35.56 cm (14.00 in) |
| Active area | 309.399 x 173.952 |
| Resolution | 1366 x 768 (HD) |
| Weight | 320 g (0.71 lbs) |
| Contrast ratio | 500:1 (typical) |
| Luminance | 200 nits (typical) |
| Luminance uniformity | 1.4 (typical) 1.6 (max) |
| Lifetime (1/2 luminance) | 12,000 hours |
| Backlight | LED |
| Response time | 8 ms (typical) |
| Surface treatment | BV |
| Total power consumption | 2.8 W |
| Viewing angle | SVA |

Hard drive specifications

| | 750-GB* | 640-GB* | 500-GB* | 320-GB* | 250-GB* |
|-------------------------------------------------------------------------------------------------------------------------------------------------------------|-------------------|-------------------|-------------|-------------|-------------|
| Dimensions | | | | | |
| Height | 9.5 mm | | | | |
| Width | 70 mm | | | | |
| Weight | 101 g | | | | |
| Interface type | | | | | |
| SATA | | | | | |
| Transfer rate | | | | | |
| 100 MB/sec | | | | | |
| Security | | | | | |
| ATA security | | | | | |
| Seek times (typical read, including setting) | | | | | |
| Single track | 1.0 ms | 1.0 ms | 1.0 ms | 1.5 ms | 2.0 ms |
| Average | 14.0 ms | 14.0 ms | 14.0 ms | 12.0 ms | 12.0 ms |
| Maximum | 22.0 ms | 22.0 ms | 22.0 ms | 22.0 ms | 22.0 ms |
| Logical blocks | | | | | |
| | 1,465,149,168 | 1,250,263,728 | 976,773,168 | 625,142,448 | 488,397,168 |
| Disc rotational speed | | | | | |
| | 5400 and 7200 rpm | 5400 and 7200 rpm | 7200 rpm | 7200 rpm | 7200 rpm |
| Operating temperature | | | | | |
| 5°C to 55°C (41°F to 131°F) | | | | | |
| *1 GB = 1 billion bytes when referring to hard drive storage capacity. Actual accessible capacity is less. Actual drive specifications may differ slightly. | | | | | |
| NOTE: Certain restrictions and exclusions apply. Contact technical support for details. | | | | | |

DVD±RW SuperMulti Double-Layer Drive specifications

| Applicable disc | |
|---------------------------|----------------------------------------------------------------------------------------------------------------------------------------------------------------------------------------------------------------------------------------------------------------------|
| Read | CD-DA, CD+(E)G, CD-MIDI, CD-TEXT, CD-ROM, CD-ROM XA, MIXED MODE CD, CD-I, CD-I Bridge (Photo-CD, Video CD), Multisession CD (Photo-CD, CD-EXTRA, Portfolio, CD-R, CD-RW), CD-R, CD-RW, DVD-ROM (DVD-5, DVD-9, DVD-10, DVD-18), DVD-R, DVD-RW, DVD+R, DVD+RW, DVD-RAM |
| Write | CD-R and CD-RW, DVD+R, DVD+RW, DVD-R, DVD-RW, DVD-RAM |
| Random access time | |
| DVD | < 230 ms |
| CD | < 175 ms |
| Cache buffer | |
| | 2 MB |
| Data transfer rate | |
| 24X CD-ROM | 3,600 KB/sec |
| 8X DVD-ROM | 10,800 KB/sec |
| 24X CD-R | 3,600 KB/sec |
| 16X CD-RW | 2,400 KB/sec |
| 8X DVD+R | 10,800 KB/sec |
| 4X DVD+RW | 5,400 KB/sec |
| 8X DVD-R | 10,800 KB/sec |
| 4X DVD-RW | 5,400 KB/sec |
| 2.4X DVD+R(9) | 2,700 KB/sec |
| 5X DVD-RAM | 6,750 KB/sec |
| Transfer mode | |
| | Multiword DMA Mode |

System resource specifications

You can use Device Manager to get a graphical view of the system resources that control how the devices work on the computer. System resources you can access from Device Manager are direct memory access (DMA) channels, input/output (I/O) ports, interrupt request (IRQ) lines, and memory addresses.

If two devices require the same resource and create a device conflict, you can manually change the resource settings in Device Manager to be sure each setting is unique.

△ **CAUTION:** Improperly changing resource settings can disable your hardware and cause your computer to malfunction or become inoperable. Only users who have expert knowledge of computer hardware and hardware configurations should change resource settings.

To view resource settings in Windows 7:


1. Select **Start > Computer**.
2. Click **System properties** near the top of the Computer folder.
3. On the left, click **Device Manager**.
4. On the **View** menu, click one of the following:
 - **Resources by type**
 - **Resources by connection**

7 Backup and recovery

Recovery after a system failure is as complete as your most current backup. HP recommends that you create recovery discs immediately after software setup. As you add new software and data files, you should continue to back up your system on a regular basis to maintain a reasonably current backup.

Tools provided by the operating system and HP Recovery Manager software are designed to help you with the following tasks for safeguarding your information and restoring it in case of a system failure:


- Creating a set of recovery discs (Recovery Manager software feature). Recovery discs are used to start up (boot) your computer and restore the operating system and software programs to factory settings in case of system failure or instability.
- Backing up your information regularly to protect your important system files.
- Creating system restore points (operating system feature). System restore points allow you to reverse undesirable changes to your computer by restoring the computer to an earlier state.
- Recovering a program or driver (Recovery Manager software feature). This feature helps you reinstall a program or driver without performing a full system recovery.
- Performing a full system recovery (Recovery Manager software feature). With Recovery Manager, you can recover your full factory image if you experience system failure or instability. Recovery Manager works from a dedicated recovery partition (select models only) on the hard drive or from recovery discs you create.

 **NOTE:** Computers with a solid-state drive (SSD) may not have a recovery partition. Recovery discs have been included for computers that do not have a partition. Use these discs to recover your operating system and software. To check for the presence of a recovery partition, select **Start**, right-click **Computer**, click **Manage**, and then click **Disk Management**. If the partition is present, an HP Recovery drive is listed in the window.


Creating recovery discs

HP recommends that you create recovery discs to be sure that you can restore your system to its original factory state if you experience serious system failure or instability. Create these discs after setting up the computer for the first time.


Handle these discs carefully and keep them in a safe place. The software allows the creation of only one set of recovery discs.

 **NOTE:** You can use an optional external optical drive (purchased separately) to create recovery discs, or you can purchase recovery discs for your computer from the HP Web site.

Note the following guidelines before creating recovery discs:

 **NOTE:** The external hard drive must be connected to a USB port on the computer, not to a USB port on an external device such as a hub.

- You will need high-quality DVD-R, DVD+R, BD-R (writable Blu-ray), or CD-R discs. All these discs are purchased separately. DVDs and BDs have a much higher capacity than CDs. If you use CDs, up to 20 discs may be required, whereas only a few DVDs or BDs are required.

 **NOTE:** Read-write discs, such as CD-RW, DVD±RW, double-layer DVD±R, and BD-RE (rewritable Blu-ray) discs, are not compatible with the Recovery Manager software.

- The computer must be connected to AC power during this process.
- Only one set of recovery discs can be created per computer.
- Number each disc before inserting it into the optical drive.
- If necessary, you can exit the program before you have finished creating the recovery discs. The next time you open Recovery Manager, you will be prompted to continue the disc creation process.

To create a set of recovery discs:

1. Select **Start > All Programs > Recovery Manager > Recovery Disk Creation**.
2. Follow the on-screen instructions.

Backing up your information

As you add new software and data files, you should back up your system on a regular basis to maintain a reasonably current backup. Back up your system at the following times:

- At regularly scheduled times



NOTE: Set reminders to back up your information periodically.

- Before the computer is repaired or restored
- Before you add or modify hardware or software

Note the following when backing up:

- Create system restore points using the Windows® System Restore feature, and periodically copy them to disc.
- Store personal files in the Documents library and back up this folder periodically.
- Back up templates stored in their associated programs.
- Save customized settings in a window, toolbar, or menu bar by taking a screen shot of your settings. The screen shot can be a time-saver if you have to reset your preferences.

To copy the screen and paste it into a word-processing document, follow these steps:

1. Display the screen.
2. Copy the screen:
 - To copy only the active window, press **alt+prt sc**.
 - To copy the entire screen, press **prt sc**.
3. Open a word-processing document, and then select **Edit > Paste**.
4. Save the document.

- You can back up your information to an optional external hard drive, a network drive, or discs.
- When backing up to discs, use any of the following types of discs (purchased separately): CD-R, CD-RW, DVD+R, DVD-R, or DVD±RW. The discs you use will depend on the type of optical drive installed in your computer.




NOTE: DVDs store more information than CDs, so using them for backup reduces the number of recovery discs required.

- When backing up to discs, number each disc before inserting it into the optical drive of the computer.


Using Windows Backup and Restore

To create a backup using Windows Backup and Restore, follow these steps:

 **NOTE:** Be sure that the computer is connected to AC power before you start the backup process.


NOTE: The backup process may take over an hour, depending on file size and the speed of the computer.

1. Select **Start > All Programs > Maintenance > Backup and Restore**.
2. Follow the on-screen instructions to set up and create a backup.

 **NOTE:** Windows includes the User Account Control feature to improve the security of your computer. You may be prompted for your permission or password for tasks such as installing software, running utilities, or changing Windows settings. Refer to Help and Support for more information.

Using system restore points


When you back up your system, you are creating a system restore point. A system restore point allows you to save and name a snapshot of your hard drive at a specific point in time. You can then recover back to that point if you want to reverse subsequent changes made to your system.

 **NOTE:** Recovering to an earlier restore point does not affect data files saved or e-mails created since the last restore point.

You also can create additional restore points to provide increased protection for your system files and settings.

When to create restore points

- Before you add or extensively modify software or hardware
- Periodically, whenever the system is performing optimally

 **NOTE:** If you revert to a restore point and then change your mind, you can reverse the restoration.

Create a system restore point


1. Select **Start > Control Panel > System and Security > System**.
2. In the left pane, click **System Protection**.
3. Click the **System Protection** tab.
4. Under **Protection Settings**, select the disk for which you want to create a restore point.
5. Click **Create**.
6. Follow the on-screen instructions.

Restore to a previous date and time

To revert to a restore point (created at a previous date and time), when the computer was functioning optimally, follow these steps:

1. Select **Start > Control Panel > System and Security > System**.
2. In the left pane, click **System protection**.
3. Click the **System Protection** tab.
4. Click **System Restore**.
5. Follow the on-screen instructions.

Performing a recovery

 **NOTE:** You can recover only files that you have previously backed up. HP recommends that you use HP Recovery Manager to create a set of recovery discs (entire drive backup) as soon as you set up your computer.

Recovery Manager software allows you to repair or restore the system if you experience system failure or instability. Recovery Manager works from recovery discs or from a dedicated recovery partition (select models only) on the hard drive. However, if your computer includes a solid-state drive (SSD), you may not have a recovery partition. If that is the case, recovery discs have been included with your computer. Use these discs to recover your operating system and software.

 **NOTE:** Windows has its own built-in repair features, such as System Restore. If you have not already tried these features, try them before using Recovery Manager.


NOTE: Recovery Manager recovers only software that was preinstalled at the factory. Software not provided with this computer must be downloaded from the manufacturer's Web site or reinstalled from the disc provided by the manufacturer.

Recovering from the recovery discs

To restore the system from the recovery discs:

1. Back up all personal files.
2. Insert the first recovery disc into the optical drive and restart the computer.
3. Follow the on-screen instructions.

Recovering from the dedicated recovery partition (select models only)

 **NOTE:** Computers with an SSD may not have a recovery partition. If the computer does not have a recovery partition, you will not be able to recover using this procedure. Recovery discs have been included for computers that do not have a partition. Use these discs to recover your operating system and software.

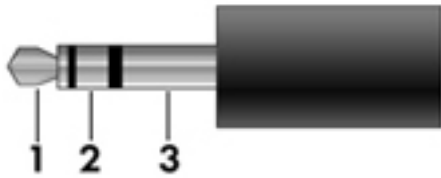
On some models, you can perform a recovery from the partition on the hard drive, accessed by pressing either the Start button or **f11**. This restores the computer to its factory condition.

To restore the system from the partition, follow these steps:

1. Access Recovery Manager in either of the following ways:
 - Select **Start > All Programs > Recovery Manager > Recovery Manager**.
 - or –
 - Turn on or restart the computer, and then press **esc** while the “Press the ESC key for Startup Menu” message is displayed at the bottom of the screen. Then, press **f11** while the “Press <F11> for recovery” message is displayed on the screen.
2. Click **System Recovery** in the **Recovery Manager** window.
3. Follow the on-screen instructions.

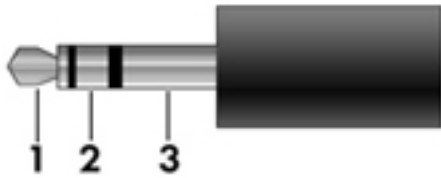
8 Connector pin assignments

Audio-out (headphone)



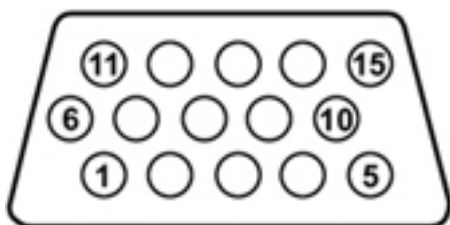
| Pin | Signal |
|-----|--------------------------|
| 1 | Audio out, left channel |
| 2 | Audio out, right channel |
| 3 | Ground |

Audio-in (microphone)



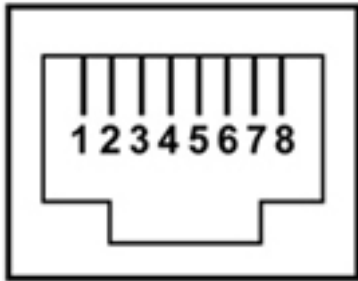
| Pin | Signal |
|-----|-----------------|
| 1 | Audio signal in |
| 2 | Audio signal in |
| 3 | Ground |

External monitor



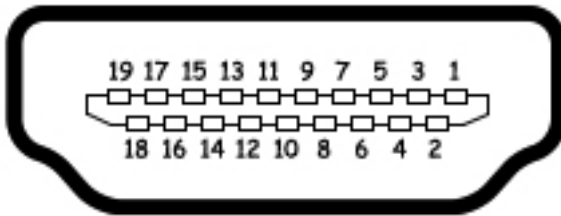
| Pin | Signal |
|-----|-----------------|
| 1 | Red analog |
| 2 | Green analog |
| 3 | Blue analog |
| 4 | Not connected |
| 5 | Ground |
| 6 | Ground analog |
| 7 | Ground analog |
| 8 | Ground analog |
| 9 | +5 VDC |
| 10 | Ground |
| 11 | Monitor detect |
| 12 | DDC 2B data |
| 13 | Horizontal sync |
| 14 | Vertical sync |
| 15 | DDC 2B clock |

RJ-45 (network)



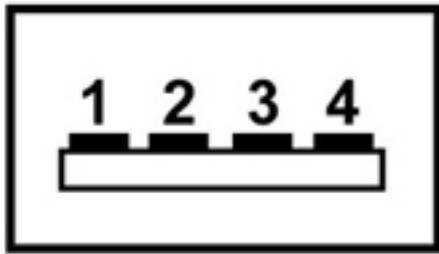
| Pin | Signal |
|------------|---------------|
| 1 | Transmit + |
| 2 | Transmit - |
| 3 | Receive + |
| 4 | Unused |
| 5 | Unused |
| 6 | Receive - |
| 7 | Unused |
| 8 | Unused |

HDMI



| Pin | Signal |
|-----|--------------------|
| 1 | TMDS data 2+ |
| 2 | TMDS data 2 shield |
| 3 | TMDS data 2- |
| 4 | TMDS data 1+ |
| 5 | TMDS data 1shield |
| 6 | TMDS data 1- |
| 7 | TMDS data 0+ |
| 8 | TMDS data 0 shield |
| 9 | TMDS data 0- |
| 10 | TMDS clock+ |
| 11 | TMDS clock shield |
| 12 | TMDS clock- |
| 13 | CEC |
| 14 | No connect |
| 15 | DDC clock |
| 16 | DDC data |
| 17 | Ground |
| 18 | +5V power |
| 19 | Hot plug detect |
| 20 | Shell |

Universal Serial Bus



| Pin | Signal |
|-----|--------|
| 1 | +5 VDC |
| 2 | Data - |
| 3 | Data + |
| 4 | Ground |

9 Power cord set requirements

The wide range input feature of the computer permits it to operate from any line voltage from 100 to 120 volts AC or from 220 to 240 volts AC.

The 3-conductor power cord set included with the computer meets the requirements for use in the country or region where the equipment is purchased.

Power cord sets for use in other countries or regions must meet the requirements of the country or region where the computer is used.

Requirements for all countries or regions

The requirements listed below are applicable to all countries or regions:

- The length of the power cord set must be at least 1.5 m (5.0 ft) and no more than 2.0 m (6.5 ft).
- All power cord sets must be approved by an acceptable accredited agency responsible for evaluation in the country or region where the power cord set will be used.
- The power cord sets must have a minimum current capacity of 10 amps and a nominal voltage rating of 125 or 250 V AC, as required by each country or region's power system.
- The appliance coupler must meet the mechanical configuration of an EN 60 320/IEC 320 Standard Sheet C13 connector for mating with the appliance inlet on the back of the computer.

Requirements for specific countries or regions

| Country/region | Accredited agency | Applicable note number |
|--------------------------------|-------------------|------------------------|
| Australia | EANSW | 1 |
| Austria | OVE | 1 |
| Belgium | CEBC | 1 |
| Canada | CSA | 2 |
| Denmark | DEMKO | 1 |
| Finland | FIMKO | 1 |
| France | UTE | 1 |
| Germany | VDE | 1 |
| Italy | IMQ | 1 |
| Japan | METI | 3 |
| The Netherlands | KEMA | 1 |
| Norway | NEMKO | 1 |
| The People's Republic of China | CCC | 5 |
| South Korea | EK | 4 |
| Sweden | SEMKO | 1 |
| Switzerland | SEV | 1 |
| Taiwan | BSMI | 4 |
| The United Kingdom | BSI | 1 |
| The United States | UL | 2 |

1. The flexible cord must be Type HO5VV-F, 3-conductor, 1.0-mm² conductor size. Power cord set fittings (appliance coupler and wall plug) must bear the certification mark of the agency responsible for evaluation in the country or region where it will be used.
2. The flexible cord must be Type SPT-3 or equivalent, No. 18 AWG, 3-conductor. The wall plug must be a two-pole grounding type with a NEMA 5-15P (15 A, 125 V) or NEMA 6-15P (15 A, 250 V) configuration.
3. The appliance coupler, flexible cord, and wall plug must bear a "T" mark and registration number in accordance with the Japanese Dentori Law. The flexible cord must be Type VCT or VCTF, 3-conductor, 1.00-mm² conductor size. The wall plug must be a two-pole grounding type with a Japanese Industrial Standard C8303 (7 A, 125 V) configuration.
4. The flexible cord must be Type RVV, 3-conductor, 0.75-mm² conductor size. Power cord set fittings (appliance coupler and wall plug) must bear the certification mark of the agency responsible for evaluation in the country or region where it will be used.
5. The flexible cord must be Type VCTF, 3-conductor, 0.75-mm² conductor size. Power cord set fittings (appliance coupler and wall plug) must bear the certification mark of the agency responsible for evaluation in the country or region where it will be used.

10 Recycling

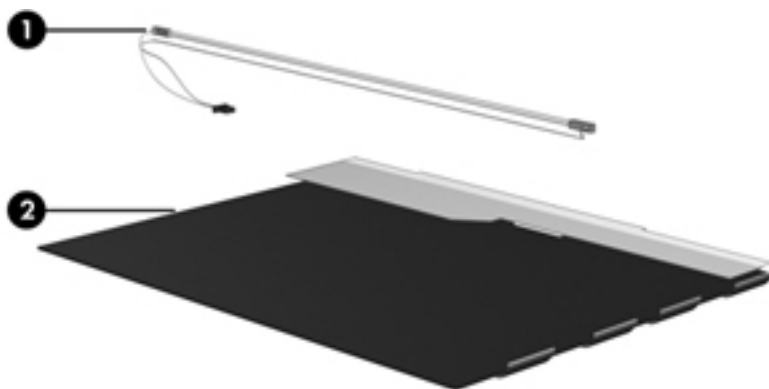
Battery

When a battery has reached the end of its useful life, do not dispose of the battery in general household waste. Follow the local laws and regulations in your area for computer battery disposal.

Display

-
- ⚠ **WARNING!** The backlight contains mercury. Exercise caution when removing and handling the backlight to avoid damaging this component and causing exposure to the mercury.
 - ⚠ **CAUTION:** The procedures in this chapter can result in damage to display components. The only components intended for recycling purposes are the liquid crystal display (LCD) panel and the backlight. When you remove these components, handle them carefully.
 - 📄 **NOTE: Materials Disposal.** This HP product contains mercury in the backlight in the display assembly that might require special handling at end-of-life. Disposal of mercury may be regulated because of environmental considerations. For disposal or recycling information, contact your local authorities, or see the Electronic Industries Alliance (EIA) Web site at <http://www.eiae.org>.
-

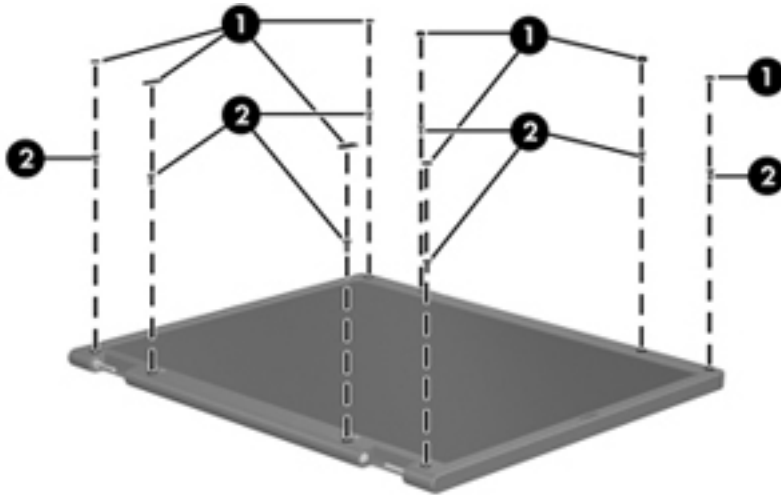
This section provides disassembly instructions for the display assembly. The display assembly must be disassembled to gain access to the backlight **(1)** and the liquid crystal display (LCD) panel **(2)**.



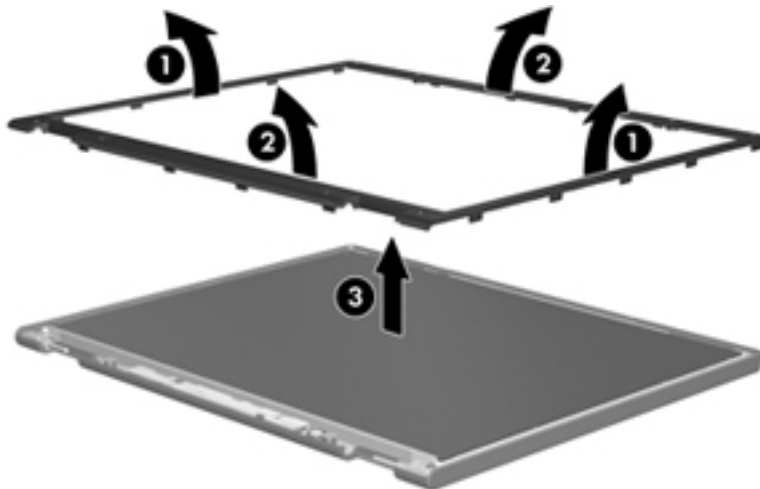
-
- 📄 **NOTE:** The procedures provided in this chapter are general disassembly instructions. Specific details, such as screw sizes, quantities, and locations, and component shapes and sizes, can vary from one computer model to another.
-

Perform the following steps to disassemble the display assembly:

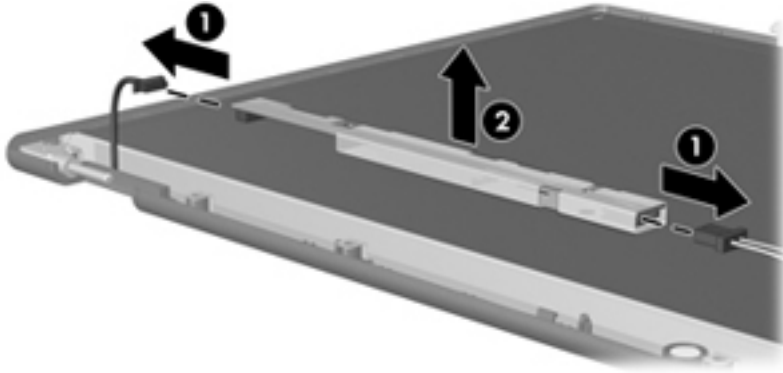
1. Remove all screw covers **(1)** and screws **(2)** that secure the display bezel to the display assembly.



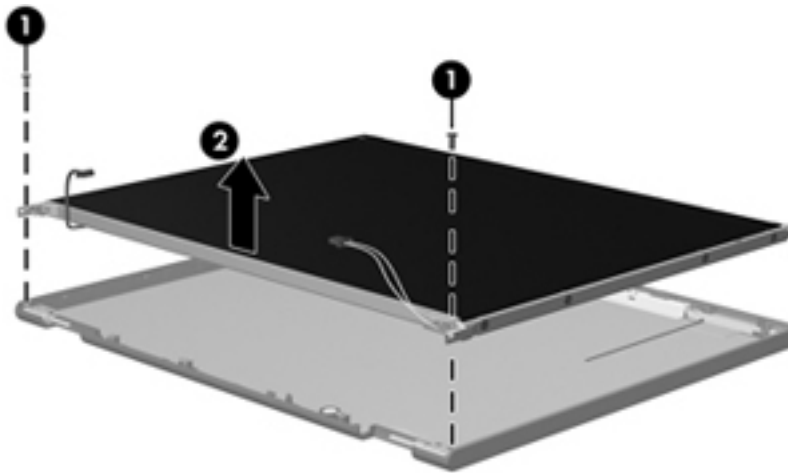
2. Lift up and out on the left and right inside edges **(1)** and the top and bottom inside edges **(2)** of the display bezel until the bezel disengages from the display assembly.
3. Remove the display bezel **(3)**.



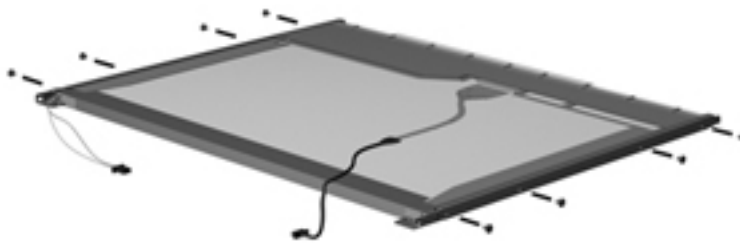
4. Disconnect all display panel cables **(1)** from the display inverter and remove the inverter **(2)**.



5. Remove all screws **(1)** that secure the display panel assembly to the display enclosure.
6. Remove the display panel assembly **(2)** from the display enclosure.

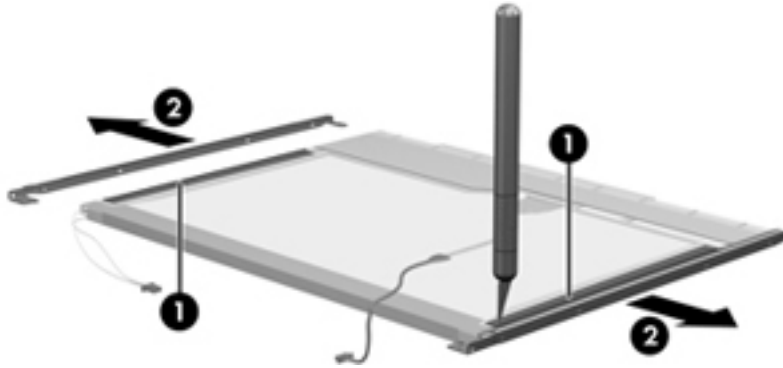


7. Turn the display panel assembly upside-down.
8. Remove all screws that secure the display panel frame to the display panel.



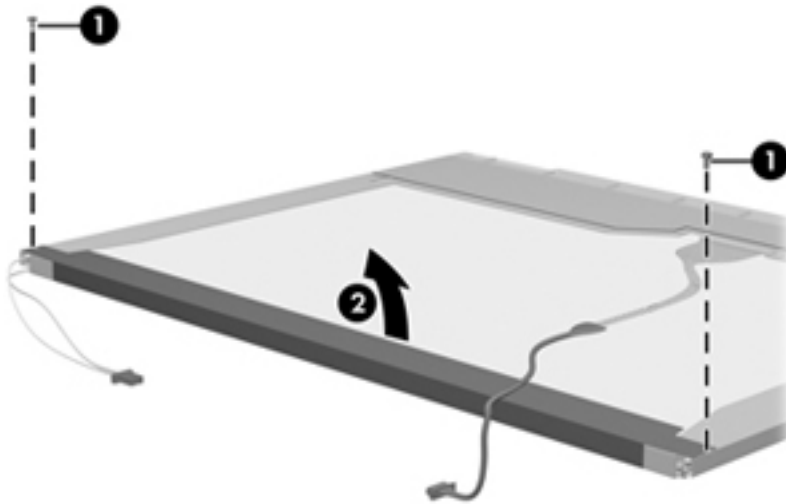
9. Use a sharp-edged tool to cut the tape **(1)** that secures the sides of the display panel to the display panel frame.

10. Remove the display panel frame **(2)** from the display panel.



11. Remove the screws **(1)** that secure the backlight cover to the display panel.

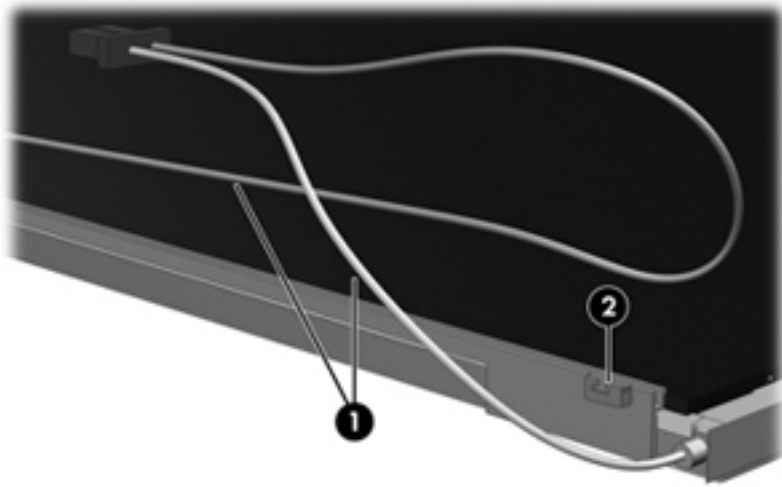
12. Lift the top edge of the backlight cover **(2)** and swing it outward.



13. Remove the backlight cover.

14. Turn the display panel right-side up.

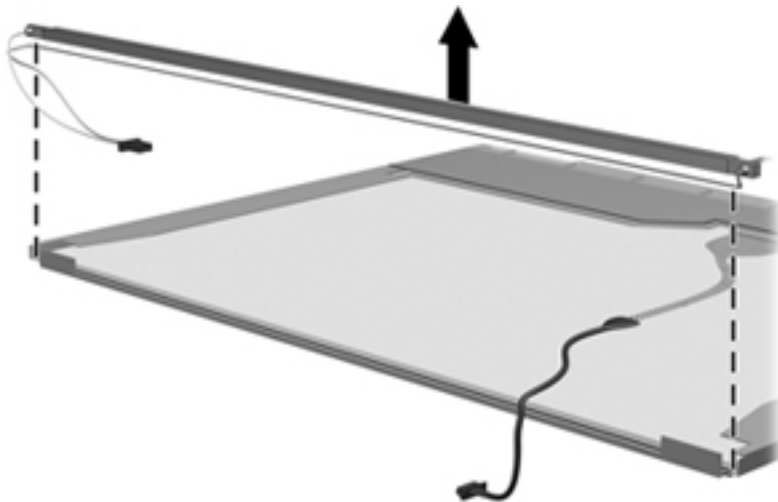
15. Remove the backlight cables (1) from the clip (2) in the display panel.



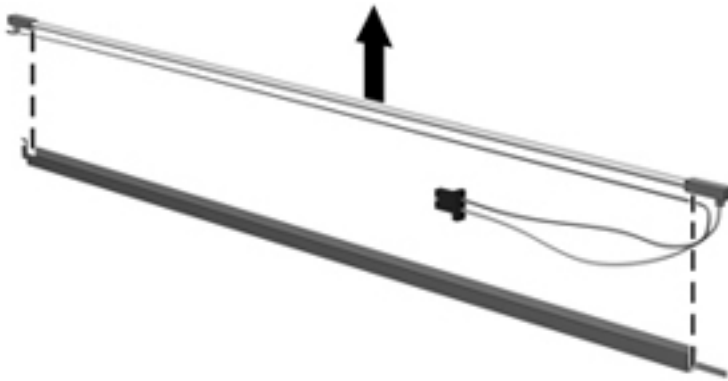
16. Turn the display panel upside-down.

⚠ WARNING! The backlight contains mercury. Exercise caution when removing and handling the backlight to avoid damaging this component and causing exposure to the mercury.

17. Remove the backlight frame from the display panel.



18. Remove the backlight from the backlight frame.

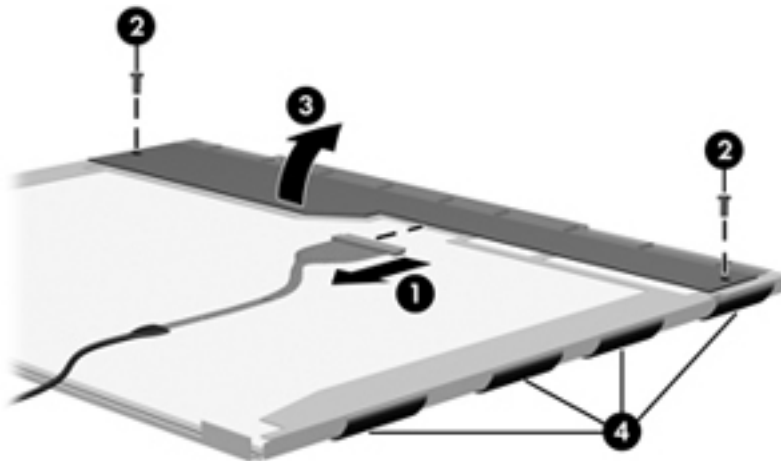


19. Disconnect the display panel cable **(1)** from the LCD panel.

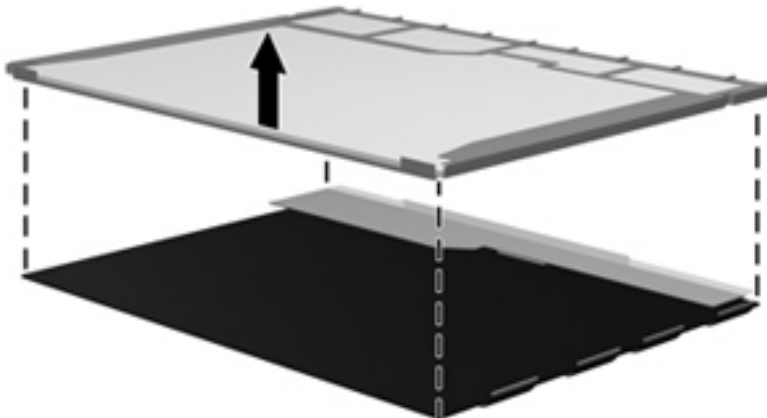
20. Remove the screws **(2)** that secure the LCD panel to the display rear panel.

21. Release the LCD panel **(3)** from the display rear panel.

22. Release the tape **(4)** that secures the LCD panel to the display rear panel.



23. Remove the LCD panel.



24. Recycle the LCD panel and backlight.

Index

Symbols/Numerics

1394 Power Saving 95

A

AC adapter

identifying 17

spare part numbers 30, 36

action keys, identifying 10

administrator password 95

antennas 16

applications key, Windows 10

audio, product description 3

audio-in (microphone) jack

identifying 12

pin assignments 108

audio-out (headphone) jack

identifying 12

pin assignments 108

B

backing up

customized window, toolbar,
and menu bar settings 104

personal files 104

templates 104

base enclosure, spare part

number 25, 36

battery

removal 45

spare part numbers 25, 33,
45

battery bay 15

battery light 12

battery release latch 15

battery, identifying 17

bays

battery 15

hard drive 15

bezel

illustrated 27

spare part number 27, 73

Bluetooth cable, spare part

number 21, 36, 79

Bluetooth module

removal 79

spare part number 21, 79

spare part numbers 31

boot options 96

boot order 96

button sound 95

buttons

left TouchPad 7

power 9

right TouchPad 7

TouchPad, on/off button 7

C

cables, service considerations 39

camera module

removal 73

spare part number 73

camera, product description 3

caps lock light, identifying 8

Card Reader Power Saving 95

compartments

memory module 15

wireless module 15

components

additional hardware 17

bottom 15

display 14

front 6, 11

left-side 12

right-side 11

top 7

computer feet

locations 44

spare part number 44

computer specifications 97

connector pin assignments

audio-in 108

audio-out 108

external monitor 109

HDMI 111

headphone 108

microphone 108

monitor 109

network 110

RJ-45 110

USB 112

connectors, service

considerations 39

cord, power 17

D

default settings, restoring 94

Diagnostics menu 96

Digital Media Slot, identifying 11

diskette drive

precautions 39

display assembly

removal 70

spare part number 20, 70

spare part numbers 35, 36

display back cover, spare part

number 28

display bezel

illustrated 27

spare part number 27, 73

display bezel, spare part number
35

display bracket and hinge

removal 75

spare part number 75

- display bracket, spare part number 35
- Display Cable Kit
 - spare part number 75
- Display Cable Kit, spare part number 35
- display component recycling 115
- display components
 - illustrated 27
 - spare part numbers 27
- display enclosure
 - illustrated 27
 - spare part number 27, 35
- display hinge cover, spare part number 35
- display hinge kit, spare part number 28
- display panel
 - illustrated 27
 - product description 2
 - removal 74
 - spare part number 74
- Display Screw Kit, spare part number 28, 35
- display specifications 98
- drive light 12
- drives
 - boot order 96
 - preventing damage 39
- DVD±RW SuperMulti DL Drive
 - removal 60
 - spare part number 35
 - spare part numbers 26, 29
 - specifications 100

E

- electrostatic discharge 40
- eSATA/USB combo port, identifying 13
- esc key, identifying 10
- Ethernet, product description 3
- external media cards, product description 3
- external monitor port
 - identifying 12
 - pin assignments 109

F

- f11 107
- fan always on 96

- fan/heat sink assembly
 - removal 85
 - spare part number 21, 85
- feet
 - locations 44
 - spare part number 44
- fingerprint reader board
 - removal 67
 - spare part number 20, 36, 67
- fingerprint reader light, identifying 8
- fingerprint reader, identifying 9
- fn key, identifying 10
- front components 6
- full system recovery 102

G

- graphics, product description 1
- grounding equipment and methods 42

H

- hard drive
 - identifying 15
 - precautions 39
 - product description 2
 - removal 57
 - spare part numbers 25, 29, 35, 36, 57
 - specifications 99
- hard drive cable, spare part number 25, 29, 36, 57
- hard drive cover
 - illustrated 28
 - removal 58
- hard drive self test 96
- HDMI port, pin assignments 111
- headphone (audio-out) jack 12
- headphone jack, pin assignments 108
- heat sink, spare part numbers 36

I

- integrated webcam light, identifying 14
- internal display switch, identifying 14
- internal microphone, identifying 14

J

- jacks
 - audio-in (microphone) 12
 - audio-out (headphone) 12
 - RJ-45 (network) 13

K

- keyboard
 - product description 4
 - removal 62
 - spare part numbers 20, 35, 62
- keys
 - action 10
 - esc 10
 - fn 10
 - Windows applications 10
 - Windows logo 10

L

- LAN Power Saving 95
- language support 95
- latch, battery release 15
- left TouchPad button, identifying 7
- lights
 - battery 12
 - caps lock 8
 - drive 12
 - fingerprint reader 8
 - mute 8
 - power 8, 13
 - RJ-45 (network) 13
 - TouchPad 8
 - webcam 14
 - wireless 8

M

- Main menu 95
- mass storage devices, spare part numbers 29
- memory module
 - product description 2
 - removal 47
 - spare part numbers 25, 33, 47
- memory module compartment, identifying 15
- memory test 96
- microphone (audio-in) jack 12
- microphone jack, pin assignments 108

microphone, product description 3
mini-card compartment cover, illustrated 28
Misc Cable Kit, spare part number 36
model name 1
monitor port, pin assignments 109
mute light, identifying 8

N

network jack
 identifying 13
 pin assignments 110

O

operating system, product description 4
optical drive
 precautions 39
 product description 2
 removal 60
 spare part numbers 26, 29, 60
 specifications 100

P

packing guidelines 41
passwords 95
performing a recovery 106
plastic parts 38
Plastics Kit
 spare part number 36
Plastics kit
 contents 28
 spare part number 28
pointing device, product description 4
ports
 eSATA/USB 13
 product description 3
 USB 11
power button board
 removal 69
 spare part number 20, 36, 69
power button, identifying 9
power connector cable
 removal 77
 spare part number 20, 36, 77
power connector, identifying 12

power cord
 identifying 17
 spare part numbers 30, 31
power cord set requirements 113
power light, identifying 8, 13
power requirements, product description 4
power-on password 95
processor
 product description 1
 removal 90
 spare part numbers 21, 32, 33, 36, 90
Processor C6 State 95
product description
 audio 3
 camera 3
 display panel 2
 Ethernet 3
 external media cards 3
 graphics 1
 hard drives 2
 keyboard 4
 memory module 2
 microphone 3
 operating system 4
 optical drives 2
 pointing devices 4
 ports 3
 power requirements 4
 processors 1
 product name 1
 security 4
 serviceability 4
 wireless 3
product name 1

R

recovering
 a program or driver 102
 from the dedicated recovery partition 106
 from the recovery discs 106
recovery discs 102, 103
Recovery Manager 102, 106
recovery partition 102
recovery, system 106
removal/replacement preliminaries 38
procedures 43

restore points 105
right TouchPad button, identifying 7
RJ-45 (network) jack
 identifying 13
 pin assignments 110
RJ-45 (network) lights, identifying 13
RTC battery
 removal 49
 spare part number 30, 49
RTC battery, spare part number 31
rubber feet
 spare part number 36
Rubber Feet Kit, spare part number 44

S

Screw Kit, spare part number 36
secondary hard drive self test 96
security cable slot 12
Security menu 95
security, product description 4
serial number 18, 43
service considerations 38
serviceability, product description 4
Setup Utility
 changing the language 92
 displaying system information 93
 exiting 94
 menus 95
 navigating 93
 restoring default settings 94
 selecting 93
 starting 92
SIM, removal 46
solid-state drive (SSD) 102, 106
speaker assembly
 removal 81
 spare part number 20, 81
 spare part numbers 36
speakers 11
specifications
 computer 97
 display 98
 hard drive 99

- optical drive 100
- system resources 101
- static-shielding materials 42
- supported discs 103
- system board
 - removal 83
 - spare part numbers 20, 34, 36, 83
- System Configuration menu 95
- system failure or instability 102
- system information, displaying 93, 95
- system recovery 106
- system resources 101
- system restore points 102, 105

T

- thermal module, spare part number 21, 36
- thermal paste, replacement 87, 89
- tools required 38
- top cover
 - removal 64
 - spare part number 20, 36, 64
- TouchPad buttons 7
- TouchPad light, identifying 8
- TouchPad on/off button, identifying 7
- TouchPad zone, identifying 7
- transporting guidelines 41

U

- USB board
 - removal 76
 - spare part number 20, 36, 76
- USB ports
 - identifying 11
 - pin assignments 112
- using system restore 105

V

- vents, identifying 15
- Virtualization Technology 95

W

- webcam module
 - removal 73
 - spare part number 27, 36, 73
- webcam, identifying 14

- Windows applications key, identifying 10
- Windows logo key, identifying 10
- wireless antenna, removal 75
- wireless antennas 16
- wireless antennas and cables
 - removal 75
 - spare part number 75
- wireless light 8
- wireless module compartment, identifying 15
- wireless, product description 3
- wireless/memory module
 - compartment cover
 - removal 47
 - spare part number 47
- WLAN antenna, identifying 16
- WLAN module
 - removal 50
 - spare part numbers 21, 32, 33, 34, 36, 50
- workstation guidelines 41
- WWAN antenna, identifying 16
- WWAN module
 - removal 55
 - spare part number 21, 55
 - spare part numbers 31

