

HSMWorks Breaks the Mold.

By Corporal Willy December 2nd 2011

Really good things don't happen all that often these days but today the news came out that I want everyone to know about especially those students out there. Heck this informational news break is so good that all users of SolidWorks should be made aware of it. How about a FREE CAM Solution for your SolidWorks program? Does that sound good and in keeping with the seasonal gift giving time of year?

Well it is true. The HSMWorks is giving away their 32 bit and 64 bit CAM program that will embed flawlessly into your SolidWorks program. Talk about gift giving, this has to be the best thing I have heard of in many years. Having close friends in many different industries associated with various vendors did not give me or allow me any pre-published information about this. So it was a total surprise to me since I had no advanced notice about this. My contacts were sworn to secrecy. Rather than me telling you all about, it read this newsletter I got this morning from Mr. Charles Davis of the HSMWorks Company.

<http://www.hsmworks.com/download/hsmxpress>

x64 **HSMWORKS** The CAM solution for SolidWorks

NexGenCAM Newsletter

December 2011

In This Issue

[HSMXpress](#)
[Technical Support](#)
[Try It!](#)

Quick Links

[HSMWorks](#)
[NexGenCAM](#)
[Forum](#)
[Downloads](#)
[Brochure](#)

Join Our List

[Join Our Mailing List!](#)

Greetings

Dec 2011

Dear Richard,

What if you could get the best fully-functional 2D SolidWorks Gold Partner CAM software absolutely free? No gimmicks. No Limits. No strings attached.

You can. Today.

In fact you can be running it in about 15 minutes if you like. HSMWorks is pleased to announce the release of HSMXpress: The FREE Gold Partner CAM Add-in for SolidWorks. Read below for more details and download instructions.

Merry Christmas!

HSMXpress: Free CAM Add-in for SolidWorks

HSMWorks formerly announced the release of HSMXpress at the PRI show in Orlando, Florida.

This is not a gimmick. HSMXpress is not a stripped-down, demo or student version. It is what many consider is the best SolidWorks Integrated CAM available at any price. It is fully functional. It includes all 2D Milling toolpaths, including our

powerful 2D Adaptive Clearing technology. It will simulate, post process and transmit G-code to your machine and includes the most common CNC machine post processors.

There are no unusual licensing restrictions on the use of HSMXpress. If you have SolidWorks and agree to a simple and sensible licensing agreement you can use HSMXPress commercially, privately or in an educational institute. Learn. Have fun. Make money.

Here are some specifics about HSMXpress:

- 100% Free.
- The best Gold Partner SolidWorks Integrated CAM available.
- Supports all HSMWorks 2D Toolpaths including Face, 2D Adaptive Pocket Clearing, Contour, Slot, Thread Mill, Bore, Drilling, Tapping, etc.
- Requires SolidWorks Standard 2009 or newer.
- Runs with commercial or educational versions of SolidWorks.
- Will post process, Simulate, Edit and Transmit G-code.
- Includes many common post processors.
- Easiest to learn and use.

It is easy to download and start using HSMXpress right now. Simply click on this link to get started:

[**Get HSMXPress Now**](#)

Technical Support

In order to best serve you starting Dec 1 we will require all initial Technical Support inquiries to be routed through our dedicated Support email and phone extension.

Email: support@nexgencam.com
Phone: **(888) 310-2674 Ext 102**

Your problem will be assigned to the appropriate technician. We respond to most technical support requests within one hour with either a full solution or a realistic timeline for when we expect to provide a full solution or work-around.

We will usually need to see your part model with toolpaths so for best service please email the following with your request:

- Full contact information including a phone number you can be reached at.
- Brief description of problem.
- SDLPRT or SLDASM. Please use **Pack and Go** when sending an SLDASM to ensure we get all associated part files.
- Post Processor (CPS) if applicable.
- Let us know if the matter is urgent. We generally answer questions on a first-come, first-serve basis but will try to expedite your request based on the situation.

If you encounter a obvious software problem or deficiency please also use the **CAM, Send Feedback** option in HSMWorks. This enters the issue into the HSMWorks tracking system so your problem or suggest is be cataloged, prioritized

and acted on by development.

Feedback from customers carries enormous weight with HSMWorks. We will, whenever possible, suggest a temporary work-around for your problem while we work to change the software to provide an optimal and seamless solution.

Other Technical Support Resources Available 24/7:

[NexGenCAM Blog](#)

[HSMWorks Tip of Week](#)

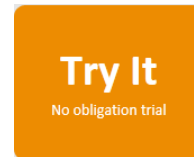
[HSMWorks Forum](#)

[HSMWorks Training System](#)

See For Yourself

We encourage potential customers to try HSMWorks before they purchase. We provide a full working copy of HSMWorks that will post process and run your machine. You will have 30 days to see for yourself whether HSMWorks is the best fit for your company and how we can save your company thousands of dollars every year.

Take the risk out of buying CAM. For a no obligation trial click on the Try It button below.



I am extremely excited about HSMXpress and what it means to innovation, education and manufacturing productivity. The highest quality industrial CAM is now accessible to anyone with a commercial or student version of SolidWorks.

Think about what that means.

No longer will the tech startup have to settle and struggle with inferior CAM to save money -only to throw out that investment in money, time and knowledge a few years later when they can afford a better solution.

The cost of getting started with CNC just took a big drop. Even the smallest tech startup or hobbyist can realize the benefits of CNC sooner and start with professional CAM from day one. This leap in capability means more efficiency, more effectiveness and more small business success stories that will fuel innovation and entrepreneurship.

Educators and students, including high schools, tech schools universities can run real industrial-strength CAM for free. Learning and teaching about CNC manufacturing just became more effective and enjoyable.

A small manufacturer can now put CAM in more places: on the shop floor for example. The motivated CNC operator can install HSMWorks at home, learn how to program CNC's, and move up in their career to the benefit of everyone.

Every engineer can have CAM on their desktop. Some will chose buy a desktop CNC and start making their own functional prototypes. Others will use it just to learn more about the limits and capabilities of CNC to become better

designers.

The release of HSMXpress is the biggest single event I have seen in the CAM industry in the last 20 years. I am proud to be part of a company that is so progressive and innovative in both their technology and thinking.

Best regards,

Charles Davis
Ph: (888) 310-2674 Ext 101



Try HSMWorks

Nothing sells HSMWorks like the software itself. Request a free 30 day evaluation of HSMWorks. There is no cost or obligation. We don't need your credit card and we won't annoy you with unsolicited sales calls or junk email. However we will be there to answer your questions so you can make an informed decision.

This is not a demo version; you can post process with it. We encourage you to make parts and see for yourself how easy HSMWorks is to learn and use and how well we run your machines. Just click on the link below, fill out the form and start making parts the better way today.

[Yes! I want a free 30 day evaluation of HSMWorks](#)

Now I hope I haven't lost you right now as you rush to the download web site and grab this unbelievable gift. <http://www.hsmworks.com/download/hsmxpress> Let me further add to this great news by letting you know about something that Mr. Albert Whatmough from the Inspirtech Company has that will make learning this marvelous CAM program as easy as possible. They have a video tutorial series for \$249 dollars that will teach you what you need to know on how to use this program. This is all unbelievable and will rock the CAM industry for sure. But in times like this we need to celebrate the news of things that can add to your knowledge and overall expertise in Parametric Design and the Manufacturing end of things. After all, everything we design today, if it is worthwhile, needs to be made in the physical world. So SolidWorks which is a world class (Mechanical Computer Aided Design) program and the HSMWorks (Computer Aided Manufacturing) go hand in hand and completely complement one another. A truly great marriage here is what I am talking about. I congratulate both of these companies, one for eliminating the price of the basic CAM program and the other for keeping the video training tutorials at very low prices indeed.

I know these tutorials personally and they are so easy to understand at all levels of competence with SolidWorks. In a very short time you will know how to manufacture those parts and assemblies you design. Is this a good combo or not?

I've included some screen shots down below so you will know you are at the correct web site when you go to look for those video tutorial series on the HSMXpress CAM program. Go to the Inspirtech web site to order your video tutorials if you want a shorter learning curve:

<http://www.fundamentalsofcnc.com/>

STEP-BY-STEP VIDEOS

CNC FUNDAMENTALS

Using **HSMXpress**

“The **FREE** CAM Solution for SolidWorks”

UNDERSTANDING SPEEDS & FEEDS

Unit: Inches

Shoulder length: 1.5in

Shaft diameter: 0.5in

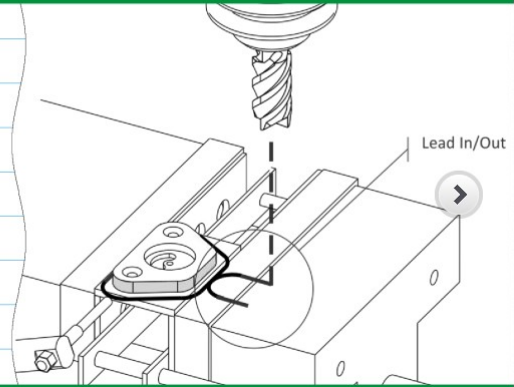
Flute length: 1in

Diameter: 0.5in

Body length: 2.5in

Overall length: 3.5in

CUTTING TOOL FUNDAMENTALS



INCLUDES:

**FUNDAMENTALS OF
3D SOLID MODELING**

**FUNDAMENTALS OF
CNC MACHINING-BOOK**

**FUNDAMENTALS OF
CNC MACHINING-VIDEOS**

\$249



The news about this team effort of HSMXpress and the Inspirtech Company just came out this morning. So it is new news and I wanted you to know about it immediately. Happy Holiday Season to All and to All a Happy learning of HSMXpress the Inspirtech Way. Take care.