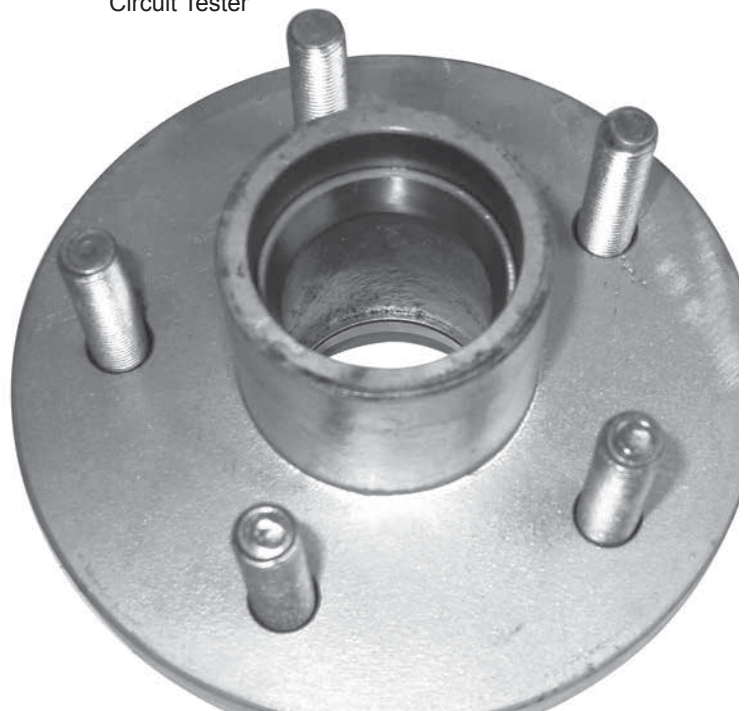


# HUBS & AXLES

Idler Hub Assemblies  
 Hub & Drum Assemblies  
 Hub & Drum Parts Kits  
 Hub Parts Kits  
 Dexter Axle Hubs & Drums  
 End Units & Pre-Greased Hubs  
 Hubs & Drums for "Dexter" 8K Axles  
 Hubs & Drums for "QRG" 10K Axles  
 Hubs & Drums for "AL-KO/Hayes" 8K Axles  
 Hubs & Drums for "AL-KO/Hayes" 10K and Larger Axles  
 Hubs & Drums for "Dexter" 9K and Larger Axles  
 Agricultural Hub Groups  
 Agricultural Wheels  
 Bearings & Races  
     Seals  
 Spindle Seal Saver Kits  
 O-Ring  
 Wear Sleeves  
 Bearing Kit (For Trailer Axles)  
 Bearing Buddy  
 Grease Caps  
 UFP Trailer Buddy  
 Trailer Buddy Bras  
 Bearing Protectors and Bras  
 Air-Tight Bearing Protector  
 Kodiak XL Prolube Oil Bath Hub Kit  
 Oil Caps  
     Hub Parts  
 Round Stub Spindles  
 Square Stub Spindles  
 Hot Forged Spindles  
 Drop Spindles  
 Torsion Axle Spindles  
 Torque Information  
 Spindle Nuts & Washers  
 Tang Lock Washers & Retainers  
 Spindle Collars  
 Cotter Pins

Grease Fittings  
 Spring Seats  
 Axle Tubing  
     1-1/2" & 2" Galvanized Square Tubes  
         1-1/4", 1-1/2" & 1-3/4" Solid Bars  
     1-3/4" & 2-3/8" Round Tubes  
     2-3/8" & 3" Round Tubes  
 Flexiride Suspension Units  
 Eliminator Torsion Axles with Quick Change Spindles  
 Painted Torsion Assemblies  
 Galvanized Torsion Axles  
 Weld-On Side Mount Brackets  
 Top Mount Torsion Fastener Kit  
 Heavy Duty Axle Assemblies  
 Heavy Duty Running Gear Assemblies  
 Midget Grease Gun  
 Lever Action Grease Gun  
 Marine Trailer Bearing Grease  
 Vault Hybrid Oil  
 Flexible Hose  
 Bearing Packer  
 10 Pcs Bearing Race & Seal Driver  
 Bolt Circle Template  
 Torque Wrench  
 Lug Nut Wrench  
 Circuit Tester



Information

Hubs  
& AxlesBrake  
AssembliesSuspensions  
& FastenersTires &  
WheelsCouplers  
Jacks &  
WinchesHitches &  
Towing  
AccessoriesBody  
Components

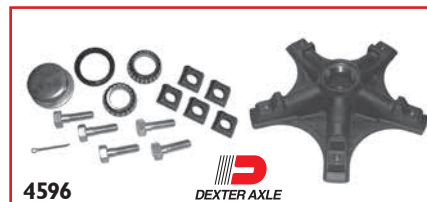
Trailer Parts

Lights &  
ElectricalLocks &  
Cargo ControlBrake  
Actuating  
Systems

Switches

**Idler Hub Assemblies**

(Complete with all Bearings, Seal, Grease Cap, Nuts and Cotter Pin)



Painted Part #	Hot Dip Galvanized Part #	EZ Lube Compatible Part #	Without Bearings Part #	Bearing Size	Bearings Inner	Bearings Outer	Seal	Hub Length Spindle #	Bolt Pattern	Grease Cap Size	Capacity Per Hub
4534	-	4534-EZ	4534-H	1" - 1"	44643	44643	46760	BT-8	4 on 4"	1.98	1,250 lbs
-	4534G	4534G-EZ	4534G-H	1" - 1"	44643	44643	46760	BT-8	4 on 4"	1.98	1,250 lbs
4535	-	4535-EZ	4535-H	1" - 1"	44643	44643	46760	BT-8	5 on 4½"	1.98	1,250 lbs
-	4535G	4535G-EZ	4535G-H	1" - 1"	44643	44643	46760	BT-8	5 on 4½"	1.98	1,250 lbs
4527	-	4527-EZ	4527-H	1" - 1"	44643	44643	46760	3¾"	5 on 4½"	1.98	1,250 lbs
4531	-	4531-EZ	4534-H	1½" - 1½"	44649	44649	46760	BT-16	4 on 4"	1.98	1,250 lbs
-	4531G	4531G-EZ	4534G-H	1½" - 1½"	44649	44649	46760	BT-16	4 on 4"	1.98	1,250 lbs
4536	-	4536-EZ	4534-H	1½" - 1½"	44649	44649	46757	BT-9	4 on 4"	1.98	1,250 lbs
-	4536G	4536G-EZ	4534G-H	1½" - 1½"	44649	44649	46757	BT-9	4 on 4"	1.98	1,250 lbs
4532	-	4532-EZ	4535-H	1½" - 1½"	44649	44649	46760	BT-16	5 on 4½"	1.98	1,250 lbs
-	4532G	4532G-EZ	4535G-H	1½" - 1½"	44649	44649	46760	BT-16	5 on 4½"	1.98	1,250 lbs
4537	-	4537-EZ	4535-H	1½" - 1½"	44649	44649	46757	BT-9	5 on 4½"	1.98	1,250 lbs
-	4537G	4537G-EZ	4535G-H	1½" - 1½"	44649	44649	46757	BT-9	5 on 4½"	1.98	1,250 lbs
4528	-	4528-EZ	4527-H	1½" - 1½"	44649	44649	46757	3¾"	5 on 4½"	1.98	1,350 lbs
4542	-	4542-EZ	4542-H	1¼" - ¾"	67048	11949	58830	4¾" HL	5 on 4½"	1.78	1,525 lbs
4539	-	4539-EZ	4539-H	1¼" - 1¼"	67048	67048	8752	3¾" HL	5 on 4½"	2.44	1,575 lbs
4545	-	4545-EZ	4545-H	1¾" - 1½"	68149	44649	58856	84	5 on 4½"	1.98	1,750 lbs
-	4545G	4545G-EZ	4545G-H	1¾" - 1½"	68149	44649	58856	84	5 on 4½"	1.98	1,750 lbs
-	-	4544-EZ	4544-H	1¾" - 1½"	68149	44649	58856	84	5 on 4½"	1.98	1,750 lbs
4547	-	4547-EZ	4547-H	1¾" - 1½"	68149	44649	58856	84	5 on 4¾"	1.98	1,750 lbs
4550	-	4550-EZ	4550-H	1¾" - 1½"	68149	44649	58856	84	5 on 5"	1.98	1,750 lbs
4555	-	4555-EZ	4555-H	1¾" - 1½"	68149	44649	58856	84	5 on 5½"	1.98	1,750 lbs
4565	-	4565-EZ	4565-H	1¾" - 1½"	68149	44649	58856	84	6 on 5½"	1.98	1,750 lbs
41174-A	-	41174-A-EZ	41174	1¾" - 1¾"	68149	68149	58830	4½" HL	5 on 4½"	2.33	2,100 lbs
4583	-	4583-EZ	4583-H	1¾" - 1¼"	25580	15123	42385 & 42379	42	6 on 5½"	2.44	3,000 lbs
-	4583G	4583G-EZ	4583G-H	1¾" - 1¼"	25580	15123	42385 & 42379	42	6 on 5½"	2.44	3,000 lbs
-	-	4584-EZ	4584-H	1¾" - 1¼"	25580	15123	42385 & 42379	42	6 on 5½"	2.44	3,000 lbs
4588	-	4588-EZ	4588-H	1¾" - 1¼"	25580	14125	42385 & 42379	42	8 on 6½"	2.71	3,500 lbs
-	4588G	4588G-EZ	4588G-H	1¾" - 1¼"	25580	14125	42385 & 42379	42	8 on 6½"	2.71	3,500 lbs
4596	-	4596-EZ	4596-H	1¾" - 1¼"	68149	67048	91040	MHU	5 on 10½"	2.44	2,600 lbs

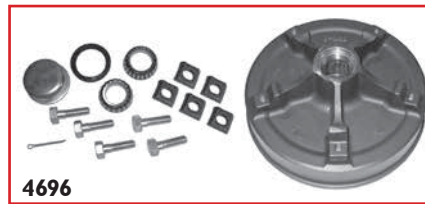
**Stainless Steel Idler Hub Assemblies**

(Complete with all Bearings, Seal, Grease Cap, Nuts and Cotter Pin)

Stainless Steel Part #	Without Bearings Part #	Bearing Size	Bearings Inner	Bearings Outer	Seal	Hub Length Spindle #	Bolt Pattern	Grease Cap Size	Capacity Per Hub
4544	4544-H	1¾" - 1½"	68149	44649	58856	84	5 on 4½"	1.98	1,750 lbs
4584	4584-H	1¾" - 1¼"	25580	15123	42385 & 42379	42	6 on 5½"	2.44	3,000 lbs

**Hub & Drum Assemblies**

(Complete with all Bearings, Seal, Grease Cap, Locks, Bolts and Nuts)



Part #	Part # Without Bearings	Bearing Size	Bearings		Seal	Spindle #	Bolt Pattern	Cap Size	Brake Size	Capacity Per Hub
			Inner	Outer						
4634	4634-H	1" - 1"	44643	44643	46760	BT-8	4 on 4"	1.98	7" x 1¼"	1,250 lbs
4635	4635-H	1" - 1"	44643	44643	46760	BT-8	5 on 4½"	1.98	7" x 1¾"	1,250 lbs
4636	4636-H	1½" - 1½"	44649	44649	46757	BT-9	4 on 4"	1.98	7" x 1¼"	1,250 lbs
4637	4637-H	1½" - 1½"	44649	44649	46757	BT-9	5 on 4½"	1.98	7" x 1¾"	1,250 lbs
4643	4643-H	1¾" - 1½"	68149	44649	58856	84	5 on 4½"	1.98	8½" x 2¼" HYD	1,500 lbs
4640	4640-H	1¾" - 1½"	68149	44649	58856	84	5 on 4½"	1.98	7" x 1¾" HYD	1,250 lbs
4645	4645-H	1¾" - 1½"	68149	44649	58856	84	5 on 4½"	1.98	10" x 2¼"	1,750 lbs
4645G	4645G-H	1¾" - 1½"	68149	44649	58856	84	5 on 4½"	1.98	10" x 2¼"	1,750 lbs
* 4647	4647-H	1¾" - 1½"	68149	44649	58856	84	5 on 4¾"	1.98	10" x 2¼"	1,750 lbs
4650	4650-H	1¾" - 1½"	68149	44649	58856	84	5 on 5"	1.98	10" x 2¼"	1,750 lbs
4655	4655-H	1¾" - 1½"	68149	44649	58856	84	5 on 5½"	1.98	10" x 2¼"	1,750 lbs
4665	4665-H	1¾" - 1½"	68149	44649	58856	84	6 on 5½"	1.98	10" x 2¼"	1,750 lbs
4683	4683-H	1¾" - 1¼"	25580	15123	42379 + 42385	42	6 on 5½"	2.44	12" x 2"	2,600 lbs
4688	4688-H	1¾" - 1¼"	25580	14125	42379 + 42385	42	½" - 8 on 6½"	2.71	12" x 2"	3,500 lbs
4689	4689-H	1¾" - 1¼"	25580	14125	42379 + 42385	42	¾" - 8 on 6½"	2.71	12" x 2"	3,500 lbs
4696	4696-H	1¾" - 1¼"	68149	67048	91040	MHU	5 on 10½"	1.98	12" x 2"	2,600 lbs
4698	4698-H	1¾" - 1¼"	25580	15123	42379 + 42385	42	5 on 10½" HD	2.44	12" x 2"	3,000 lbs

**NOTE: \* Galvanized**

Information  
Hubs & Axles  
Brake Assemblies  
Suspensions & Fasteners  
Tires & Wheels  
Couplers, Jacks & Winches  
Hitches & Towing Accessories  
Body Components  
Trailer Parts  
Lights & Electrical  
Cargo Control  
Brake Actuating Systems  
Switches

**Hub & Drum Parts Kits**

Hub assemblies will include a standard “-K” bearing pack if indicated.  
“-KEZ” EZ Lube type kits are available for an additional charge.



Hub #	Uses Bearing Pack Part #	Included
4527	4535-K	Y
4528	4537-K	Y
4534	4534-K	Y
4534G	4534-K	Y
4535	4535-K	Y
4535G	4535-K	Y
4536	4536-K	Y
4536G	4536-K	Y
4537	4537-K	Y
4537G	4537-K	Y
4539	4539-K	Y
4542	4542-K	Y
4544	4544-K	Y
4545	4545-K or 4545-KEZ	Y
4545G	4545-K or 4545-KEZ	Y
4547	4545-K or 4545-KEZ	Y
4550	4545-K or 4545-KEZ	Y
4555	4545-K or 4545-KEZ	Y
4565	4565-K	Y
4581	4581-K	Y
4583	4583-K or 4583-KEZ	Y
4583G	4583-K or 4583-KEZ	Y
4584	4584-K	Y
4588	4588-K or 4588-KEZ	Y
4588G	4588-K or 4588-KEZ	Y
4596	4596-K	Y
4634	4534-K	Y
4635	4535-K	Y
4636	4536-K	Y
4637	4537-K	Y
4640	4545-K or 4545-KEZ	Y
4645	4545-K or 4545-KEZ	Y
4645G	4545-K or 4545-KEZ	Y
4647	4545-K or 4545-KEZ	Y
4650	4545-K or 4545-KEZ	Y
4655	4545-K or 4545-KEZ	Y
4665	4665-K	Y

Hub #	Uses Bearing Pack Part #	Included
4683	4583-K or 4583-KEZ	Y
4688	4588-K or 4588-KEZ	Y
4689	4689-K	Y
4696	4596-K	Y
4698	4698-K	Y
5296	4545-K (2) or 4545-KEZ (2)	Y
5296-H	4545-K (2) or 4545-KEZ (2)	N
5830	4545-K (2) or 4545-KEZ (2)	Y
5830-H	4545-K (2) or 4545-KEZ (2)	N
5849	4545-K (2) or 4545-KEZ (2)	Y
5849-H	4545-K (2) or 4545-KEZ (2)	N
5862	4588-K	Y
5862-H	4588-K	N
5867	4588-K (2) or 4588-KEZ (2)	Y
5867-H	4588-K (2) or 4588-KEZ (2)	N
5876	4545-K or 4545-KEZ	Y
5876-H	4545-K or 4545-KEZ	N
5881	4545-K (2) or 4545-KEZ (2)	Y
5881-H	4545-K (2) or 4545-KEZ (2)	N
5882	4583-K (2) or 4583-KEZ (2)	Y
5882-H	4583-K (2) or 4583-KEZ (2)	N
5886	4588-K or 4588-KEZ	Y
5886-H	4588-K or 4588-KEZ	N
5887	4583-K or 4583-KEZ	Y
5887-H	4583-K or 4583-KEZ	N
5888	4583-K (2) or 4583-KEZ (2)	Y
5888-H	4583-K (2) or 4583-KEZ (2)	N
5893	4588-K (2) or 4588-KEZ (2)	Y
5893-H	4588-K (2) or 4588-KEZ (2)	N
46452	4583-K or 4583-KEZ	Y
46452-2A	4583-K (2) or 4583-KEZ (2)	Y
46501	4545-K or 4545-KEZ	Y
46501-2A	4545-K (2) or 4545-KEZ (2)	Y
46245X	4545-K or 4545-KEZ	N
46264X	4583-K or 4583-KEZ	N
46430X	4545-K or 4545-KEZ	N

**Hub Parts Kits**



**4532-KEZ**



**4536-K**



**4545-K**



**4534-K**



**4537-K**



**4545-KEZ**



**4535-K**



**4539-K**



**4565-K**

Part #	Includes
4531-K	4 - Cone Nut #4256 1 - Cotter Pin #34007 2 - Bearing #44649 1 - Seal #46760 1 - Grease Cap #81733
4531-KEZ	4 - Cone Nut #4256 2 - Bearing #44649 1 - Seal #46760 1 - Tang Washer #105101 1 - Grease Cap (E-Z Lube) #121041 1 - Rubber Plug #185001
4532-K	5 - Cone Nut #4256 2 - Bearing #44649 1 - Seal #46760 1 - Tang Washer #105101 1 - Grease Cap (E-Z Lube) #121041 1 - Rubber Plug #185001
4532-KEZ	5 - Cone Nut #4256 1 - Cotter Pin #34007 2 - Bearing #44649 1 - Seal #46760 1 - Grease Cap #121041 1 - Rubber Plug #185001
4534-K	4 - Cone Nut #4256 1 - Cotter Pin #34007 2 - Bearing #44643 1 - Seal #46760 1 - Grease Cap #81733
4535-K	5 - Cone Nut #4256 1 - Cotter Pin #34007 2 - Bearing #44643 1 - Seal #46760 1 - Grease Cap #81733

Part #	Includes
4535-KEZ	5 - Cone Nut #4256 2 - Bearing #44643 1 - Seal #46760 1 - Tang Washer #105101 1 - Grease Cap (E-Z Lube) #121041 1 - Rubber Plug #185001
4536-K	4 - Cone Nut #4256 1 - Cotter Pin #34007 2 - Bearing #44649 1 - Seal #46757 1 - Grease Cap #81733
4536-KEZ	4 - Cone Nut #4256 2 - Bearing #44649 1 - Seal #46757 1 - D-Washer (E-Z Lube) #105101 1 - Grease Cap (E-Z Lube) #121041 1 - Grease Cap Plug #185001
4537-K	5 - Cone Nut #4256 1 - Cotter Pin #34007 2 - Bearing #44649 1 - Seal #46757 1 - Grease Cap #81733
4537-KEZ	5 - Cone Nut #4256 2 - Bearing #44649 1 - Seal #46757 1 - D-Washer (E-Z Lube) #105101 1 - Grease Cap (E-Z Lube) #121041 1 - Grease Cap Plug #185001
4539-K	5 - Cone Nut #4256 1 - Cotter Pin #34007 2 - Bearing #67048 1 - Seal #8752 1 - Grease Cap #45896

Part #	Includes
4542-K	5 - Cone Nut #4256 1 - Cotter Pin #34007 1 - Bearing #11949 1 - Bearing #67048 1 - Seal #58830 1 - Grease Cap #81610
4544-K	5 - Stainless Lug Nut #4258 1 - Cotter Pin #34007 1 - Bearing #44649 1 - Bearing #68149 1 - Seal #58856 1 - Grease Cap #81721 1 - D-Washer (E-Z Lube) #105101 1 - Grease Cap Plug #185001
4545-K	5 - Cone Nut #4256 1 - Cotter Pin #34007 1 - Bearing #44649 1 - Bearing #68149 1 - Seal #58856 1 - Grease Cap #81733
4545-KEZ	5 - Cone Nut #4256 1 - #34007 1 - Bearing #44649 1 - Bearing #68149 1 - Seal #58856 1 - D-Washer (E-Z Lube) #105101 1 - Grease Cap (E-Z Lube) #121041 1 - Grease Cap Plug #185001
4565-K	6 - Cone Nut #4256 1 - Cotter Pin #34007 1 - Bearing #44649 1 - Bearing #68149 1 - Seal #58856 1 - Grease Cap #81733

Information  
Hubs & Axles  
Brake Assemblies  
Suspensions & Fasteners  
Tires & Wheels  
Couplers, Jacks & Winches  
Hitches & Towing Accessories  
Body Components  
Trailer Parts  
Lights & Electrical  
Locks & Cargo Control  
Brake Actuating Systems  
Switches

**Hub Parts Kits (continued)**

Part #	Includes	Part #	Includes	Part #	Includes
4566-K	6 - Cone Nut #4226 1 - Cotter Pin #34009 1 - Bearing #67048 1 - Bearing #LM501349 1 - Seal #91200 1 - Grease Cap #81604	4588-K	6 - Stainless Lug Nut #4258 1 - Bearing #15123 1 - Bearing #25580 1 - Seal #42379 1 - Seal #42385 1 - Cotter Pin #34007 1 - D-Washer (E-Z Lube) #105101 1 - Grease Cap (E-Z Lube) #81722 1 - Grease Cap Plug #185001	4596-K	8 - Lug Nut #4227 1 - Bearing #14125 1 - Bearing #25580 1 - Seal #42379 1 - Seal #42385 1 - Cotter Pin #34007 1 - Grease Cap #81605
4567-K	5 - Cone Wheel Bolt #83922 1 - Cotter Pin #34009 1 - Bearing #69349 1 - Bearing #67048 1 - Seal #91162 1 - Grease Cap #81604	4587K	6 - Stainless Lug Nut #4258 1 - Cotter Pin #34007 1 - Bearing #25580 1 - Bearing #14125 1 - Seal #42385 1 - Tang Washer #105101 1 - Grease Cap (E-Z Lube) #81723 1 - Rubber Plug #185001	4589-KEZ	8 - Lug Nut #4227 1 - Bearing #14125 1 - Bearing #25580 1 - Seal #42379 1 - Seal #42385 1 - Cotter Pin #34007 1 - D-Washer (E-Z Lube) #105101 1 - Grease Cap (E-Z Lube) #121043 1 - Grease Cap Plug #185001
4578-K	8 - Cone Nut #4230 1 - Cotter Pin #34010 1 - Bearing #JLM506849 1 - Bearing #LM501349 1 - Seal #91275 1 - Grease Cap #81609	4588-K	8 - Cone Nut #4256 1 - Cotter Pin #34007 1 - Bearing #14125 1 - Bearing #25580 1 - Seal #42379 1 - Seal #42385 1 - Grease Cap #81605	4596-K	5 - Wheel Bolt #58019 1 - Cotter Pin #34007 1 - Bearing #67048 1 - Bearing #68149 1 - Seal #91040 5 - Rim Clamp #79954 1 - Grease Cap #45896
4583-K	6 - Cone Nut #4256 1 - Cotter Pin #34007 1 - Bearing #15123 1 - Bearing #25580 1 - Seal #42379 1 - Seal #42385 1 - Grease Cap #45896	4588-KEZ	8 - Cone Nut #4256 1 - Bearing #14125 1 - Bearing #25580 1 - Seal #42379 1 - Seal #42385 1 - Cotter Pin #34007 1 - D-Washer (E-Z Lube) #105101 1 - Grease Cap (E-Z Lube) #121043 1 - Grease Cap Plug #185001	4698-K	5 - Rim Nut #106005 1 - Cotter Pin #34007 1 - Bearing #15123 1 - Bearing #25580 1 - Seal #42385 1 - Seal #42379 5 - Rim Clamp #79954 1 - Grease Cap #45896
4583-KEZ	6 - Cone Nut #4256 1 - Bearing #15123 1 - Bearing #25580 1 - Seal #42379 1 - Seal #42385 1 - Cotter Pin #34007 1 - D-Washer (E-Z Lube) #105101 1 - Grease Cap (E-Z Lube) #121042 1 - Grease Cap Plug #185001				

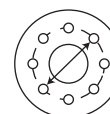
**Bolt Circle Template**

Part #	Description
8021392	Used to measure SAE 5 lug bolt patterns on hubs and wheels. Made of hi-impact ABS plastic.

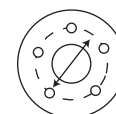


**How To Determine Bolt Pattern**

To determine the bolt circle on wheels with an even number of bolt holes, measure center-to-center on bolt holes directly across from each other (Example: 8 on 6½ would mean 8 bolt holes with 6½" center-to-center diameter). On odd number bolt wheels, measure any bolt hole center to the point halfway between bolt holes on the diameter. (Example: 5 on 4½ would mean 5 bolt holes with 4½" measure to a point halfway between the opposite bolts)

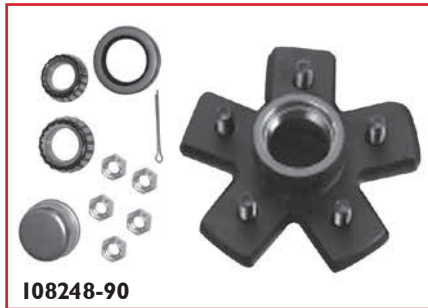


Even



Odd

**Dexter Axle Hubs & Drums**  
(Made in the U.S.A.)



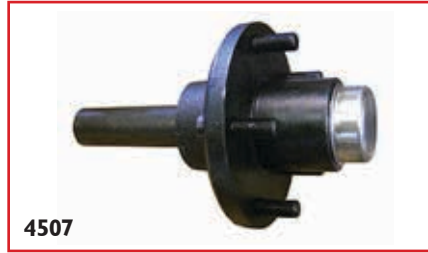
Painted Part #	Description	Bolt Pattern	Bearing Inner	Bearing Outer	Seal	Grease Cap	Axle Capacity	Bearing Pack Included
108248-05	Idler Hub (no loose parts)	5 on 4½"	*	*	*	*	3.5K	None
108248-90	Idler Hub w/Standard Grease Parts	5 on 4½"	68149	44649	58856	81733	3.5K	4545-K
108248-95	Idler Hub w/EZ-Lube Grease Parts	5 on 4½"	68149	44649	58856	121041-A	3.5K	4545-KEZ
108247-05	10 x 2¼ Brake Drum (no loose parts)	5 on 4½"	*	*	*	*	3.5K	None
108247-90	10 x 2¼ Brake Drum w/Standard Grease Parts	5 on 4½"	68149	44649	58856	81733	3.5K	4545-K
108247-94	10 x 2¼ Brake Drum w/EZ-Lube Grease Parts	5 on 4½"	68149	44649	58856	121041-A	3.5K	4545-KEZ
108213-09	Idler Hub (no loose parts)	6 on 5½"	*	*	*	*	5.2 - 6K	None
108213-92	Idler Hub w/Standard Grease Parts	6 on 5½"	25580	15123	42385 & 42379	45896	5.2 - 6K	4583-K
108213-96	Idler Hub w/EZ-Lube Grease Parts	6 on 5½"	25580	15123	42385 & 42379	121042-A	5.2 - 6K	4583-KEZ
108201-09	12 x 2 Brake Drum (no loose parts)	6 on 5½"	*	*	*	*	5.2 - 6K	None
108201-91	12 x 2 Brake Drum w/Standard Grease Parts	6 on 5½"	25580	15123	42385 & 42379	45896	5.2 - 6K	4583-K
108201-95	12 x 2 Brake Drum w/EZ-Lube Grease Parts	6 on 5½"	25580	15123	42385 & 42379	121042-A	5.2 - 6K	4583-KEZ
108231-09	Idler Hub (no loose parts)	8 on 6½"	*	*	*	*	5.2 - 7K	None
108231-92	Idler Hub w/Standard Grease Parts	8 on 6½"	25580	14125	42385 & 42379	81605	5.2 - 7K	4588-K
108231-94	Idler Hub w/EZ-Lube Grease Parts	8 on 6½"	25580	14125	42385 & 42379	121043-A	5.2 - 7K	4588-KEZ
108219-04	12 x 2 Brake Drum (no loose parts)	8 on 6½"	*	*	*	*	5.2 - 7K	None
108219-90	12 x 2 Brake Drum w/Standard Grease Parts	8 on 6½"	25580	14125	42385 & 42379	81605	5.2 - 7K	4588-K
108219-96	12 x 2 Brake Drum w/EZ-Lube Grease Parts	8 on 6½"	25580	14125	42385 & 42379	121043-A	5.2 - 7K	4588-KEZ

**NOTE: \* Not Included**

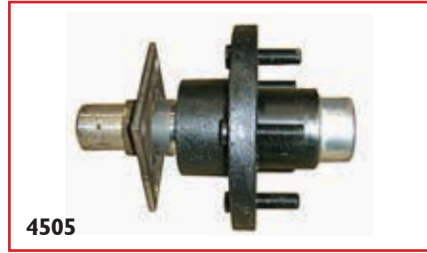
Information  
Hubs & Axles  
Brake Assemblies  
Suspensions & Fasteners  
Tires & Wheels  
Couplers, Jacks & Winches  
Hitches & Towing Accessories  
Body Components  
Trailer Parts  
Lights & Electrical  
Locks & Cargo Control  
Brake Actuating Systems  
Switches

**End Units**

Pre-assembled hubs and spindles. End units are greased and ready to be welded to axle tubing. Custom configurations are available. Sold individually. 2 required per axle.



**4507**



**4505**

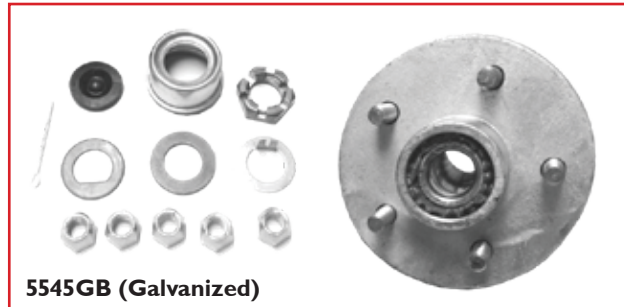
Painted Part #	Capacity Each (double this figure for axle capacity)	Spindle Part #	Spindle Stub Diameter	Hub Part #	Bolt Pattern	Brake Flange	Grease Fitting Lubed Spindle
4506	1000	98823	1.25" Round	4534	4 on 4"	No	No
4507	1000	98823	1.25" Round	4535	5 on 4.5"	No	No
4515	1750	98844	1.75" Round	4545	5 on 4.5"	No	No
4505	1750	98843	1.46" Round	4545	5 on 4.5"	Yes	Yes
4505-G	1750	98843	1.46" Round	4545G (Galvanized)	5 on 4.5"	Yes	Yes

**Pre-Greased Hubs**

Idle hubs and drums up to 7K are available preassembled with grease packed bearings and hub cavity, and seal installed. Other sizes and styles not shown are available on request. Boxed kits include hub assembly, EZ style grease cap, lug nuts, 1" castle nut, round washer, D-washer, tang washer, and cotter pin.



**5545B**



**5545GB (Galvanized)**

Painted Part #	Galvanized Part #	Bolt Pattern	Bearing Sizes	Bearing Numbers	Seal ID
*5534B	*5534GB	4-4.0"	1" x 1"	44643/44643	1.25"
*5535B	*5535GB	5-4.5"	1" x 1"	44643/44643	1.25"
5531B	5531GB	4-4.0"	1 1/16" x 1 1/16"	44649/44649	1.25"
5532B	5532GB	5-4.5"	1 1/16" x 1 1/16"	44649/44649	1.25"
5536B	5536GB	4-4.0"	1 1/16" x 1 1/16"	44649/44649	1.50"
5537B	5537GB	5-4.5"	1 1/16" x 1 1/16"	44649/44649	1.50"
5545B	5545GB	5-4.5"	1 3/8" x 1 1/16"	68149/44649	1.72"
5583B	5583GB	6-5.5"	1 3/4" x 1 1/4"	25580/15123	2.25"
5588B	5588GB	8-6.5"	1 3/4" x 1 1/4"	25580/14125	2.25"

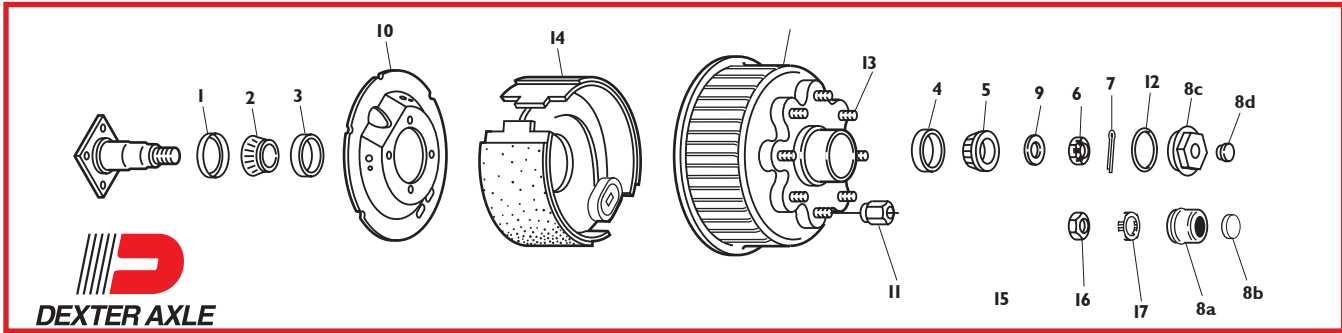
**NOTE:** \* 1" x 1" Hubs include standard solid grease caps

**Brake Drums**

Painted Part #	Galvanized Part #	Bolt Pattern	Bearing Sizes	Bearing Numbers	Seal ID
5645B	5645GB	5-4.5"	1 3/8" x 1 1/16"	68149/44649	1.72"
5683B	-	6-5.5"	1 3/4" x 1 1/4"	25580/15123	2.25"
5688B	-	8-6.5"	1 3/4" x 1 1/4"	25580/14125	2.25"



**Hubs & Drums for “Dexter” 8K Axles**



**Oil Lube Parts**

Item	Item Description	Mfg #	Part #
1	Seal (unitized)	010-063-00	91063
2	25580 Inner Bearing Cone	031-030-02	25580
3	25520 Inner Bearing Cup	031-030-01	25520
4	02420 Outer Bearing Cup	031-028-01	L2420
5	02475 Outer Bearing Cone	031-028-02	L2475
6	Spindle Nut	006-176-00	4210
7	Cotter Pin	019-002-00	34007
8c	Oil Cap	021-035-00	121035
8d	Oil Cap Plug	046-032-00	146032
9	Spindle Washer	005-057-00	105057
ns	Oil Filler Plug (service part only)	046-052-00	146052
12	“O” Ring	010-045-00	110045

**12¼” x 3⅜” Brakes**

Item	Item Description	Mfg #	Part #
10	Dust Shield	036-115-20	136115-20
10	Dust Shield for Brakes w/Park	036-115-24	136115-24
14	LH/RH Self-Adj. Electric Brake	023-434-00/023-435-00	See Brake Section C
ns	LH/RH Self-Adj. Hyd. Brake Duo-Servo	023-402-00/023-403-00	
ns	LH/RH Self-Adj. Hyd. Brake DS w/Park	023-171-00/023-172-00	
ns	LH/RH Hyd. Brake Uni-Servo	023-418-00/023-419-00	
ns	LH/RH Hyd. Brake Uni-Servo w/Park	023-252-00/023-253-00	

**Brake Drums (8 on 6.50 Bolt Circle)  
Bearings NOT included**

Item	Item Description	Mfg #	Part #
15	Grease ⅝” Studs	008-285-08	108285-08
15	Grease ⅝” Studs ABS	008-285-15	108285-15
15	Grease ⅞” Studs	008-285-11	108285-11
15	Grease ⅞” Studs ABS	008-285-13	108285-13
15	Oil ⅝” Studs	008-285-10	108285-10
15	Oil ⅝” Studs ABS	008-285-14	108285-14
15	Oil ⅞” Studs	008-285-09	108285-09
15	Oil ⅞” Studs ABS	008-285-12	108285-12

**Grease Lube Parts**

Item	Item Description	Mfg #	Part #
1	Seal (unitized)	010-063-00	91063
2	25580 Inner Bearing Cone	031-030-02	25580
3	25520 Inner Bearing Cup	031-030-01	25520
4	02420 Outer Bearing Cup	031-028-01	L2420
5	02475 Outer Bearing Cone	031-028-02	L2475
6	Spindle Nut	006-176-00	4210
7	Cotter Pin (not for E-Z Lube™)	019-002-00	34007
9	Spindle Washer	005-057-00	105057
8a	Grease Cap E-Z Lube™	021-043-01	121043
8b	E-Z Lube™ Plug	085-001-00	185001
ns	Grease Cap	021-039-00	81605
16	Special Jam Nut (after 2002)	006-191-00	106191
17	Spindle Nut Retainer (after 2002)	006-190-00	106190

**Idler Hubs (8 on 6.50 Bolt Circle)  
Bearings NOT included**

Item	Item Description	Mfg #	Part #
ns	Grease ⅝” Studs	008-287-07	108287-07
ns	Grease ⅞” Studs	008-287-11	108287-11
ns	Oil ⅞” Studs	008-287-14	108287-14
ns	Oil ⅝” Studs	008-287-17	108287-17

**ABS Components**

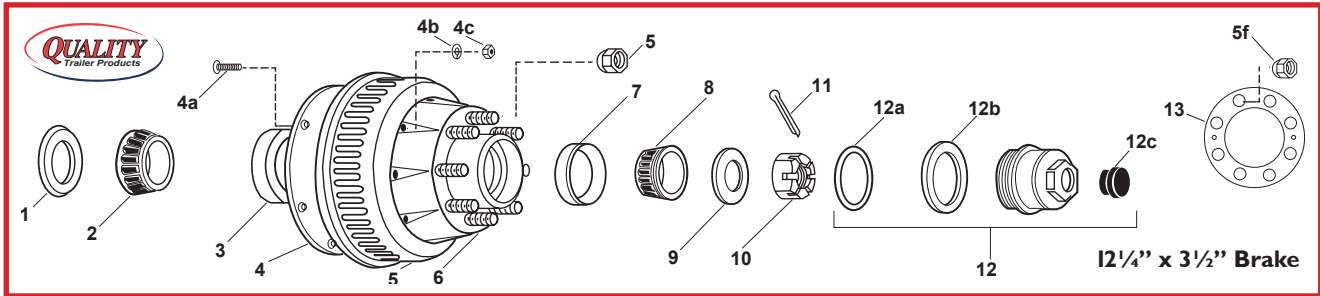
Item	Item Description	Mfg #	Part #
ns	Sensor, Straight	097-004-00	197004
ns	Sensor Block, Screw-in	024-204-00	124204
ns	Sensor Retainer Clip	097-002-00	197002

**Stud & Wheel Nuts**

Item	Item Description	Mfg #	Part #
11	⅞ - 18 60° Cone	006-053-00	4227
11	⅞ - 18 90° Cone	006-109-00	4228
13	⅞ - 18 Press-in Stud	007-132-00	107132
13	⅝ - 18 Press-in Stud	007-232-00	107232
ns	⅞ - 18 Flange Nut	006-058-00	4233

Information  
Hubs & Axles  
Brake Assemblies  
Suspensions & Fasteners  
Tires & Wheels  
Couplers, Jacks & Winches  
Hitches & Towing Accessories  
Body Components  
Trailer Parts  
Lights & Electrical  
Locks & Cargo Control  
Brake Actuating Systems  
Switches

**Hubs & Drums for "QRG" 10K Axles**

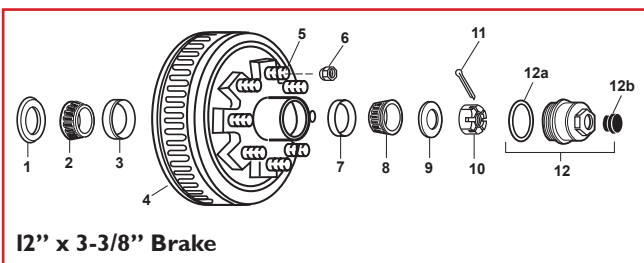


**1 1/4 x 3 1/2" Brake - #99 Spindle**

Part #	Description	Wheel Pilot
99865-1OBE	Hub-Drum only with races and 5/8" studs installed	4.88
99865-1P475		4.75
133052-01	Wheel Clamp Ring (not included with assembly)	-

Part #	Description	Wheel Pilot
99865-OBE	Complete Hub-Drum Assembly(5/8" studs) Includes: • 28580 - Inner Bearing • 25580 - Outer Bearing • 91030 - Oil Seal (CR27438) • 81991 - Oil Cap Assembly	4.88
99865-P475	• H92406 - Armature Plate & Hardware • 4228 - Wheel Nuts	4.88

**Hubs & Drums for "AL-KO/Hayes" 8K Axles**



**T-80, D-80, H-80/8K Axle - #42 Spindle**

Item	Description	Part #
1	Oil Seal	91063
2	Inner Bearing Cone 25580	25580
3	Inner Bearing Cup 25520	25520
4	Hub & Drum 1/16" Stud 4.75 Pilot	H9080644
4a	Hub & Drum 3/8" Stud 4.75 Pilot	H9080654
5	Wheel Stud 1/16" - 18	63326
5a	Wheel Stud 5/8" - 18 x 2.75"	63329
6	Wheel Nut 1/16" - 18 60° Cone	4227
6a	Wheel Nut 5/8" - 18 90° Cone	4228

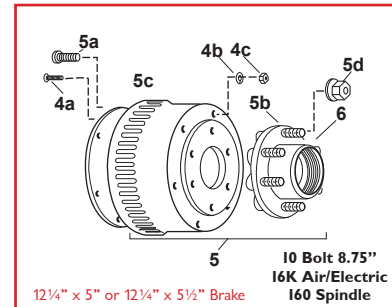
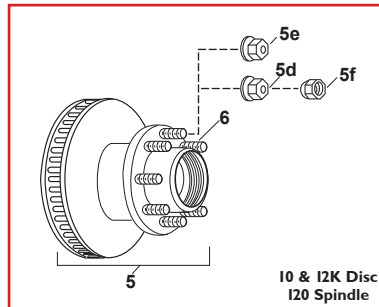
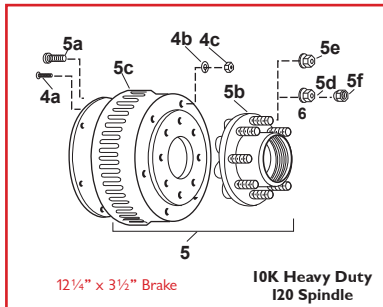
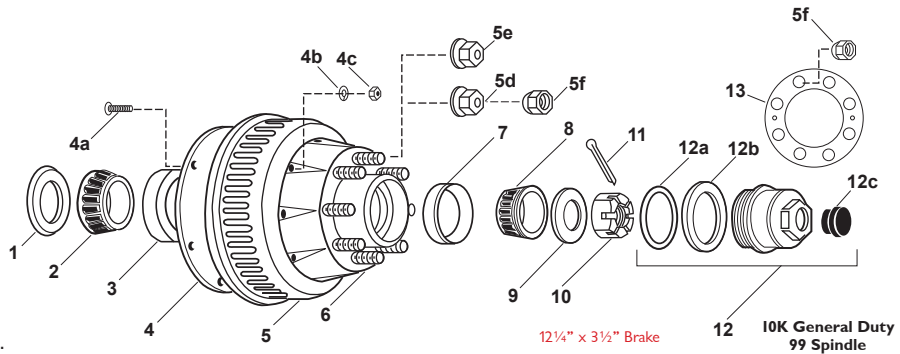
Item	Description	Part #
7	Outer Bearing Cup 02420	L2420
8	Outer Bearing Cone 02475	L2475
9	Spindle Washer	568326
10	Spindle Nut	4210
11	Cotter Pin	34007
12	Oil Cap Assembly	81988
12	Oil Cap Assembly(Hayes prior to 1997)	81990
12a	Gasket, Oil Cap	H910350
12b	Oil Cap Plug	81989

## Hubs & Drums for "AL-KO / Hayes" 10K and Larger Axles

These hubs and drums are sold cupped and stubbed, all other parts must be ordered separately. Add **-A** after part# to order complete assembly with parts. Hubs are for oil bath applications only.  
**Note:** Electric brake applications require an armature plate to be purchased separately.

**AL-KO**  
QUALITY FOR LIFE

**HA**  
HAYES AXLE, INC.

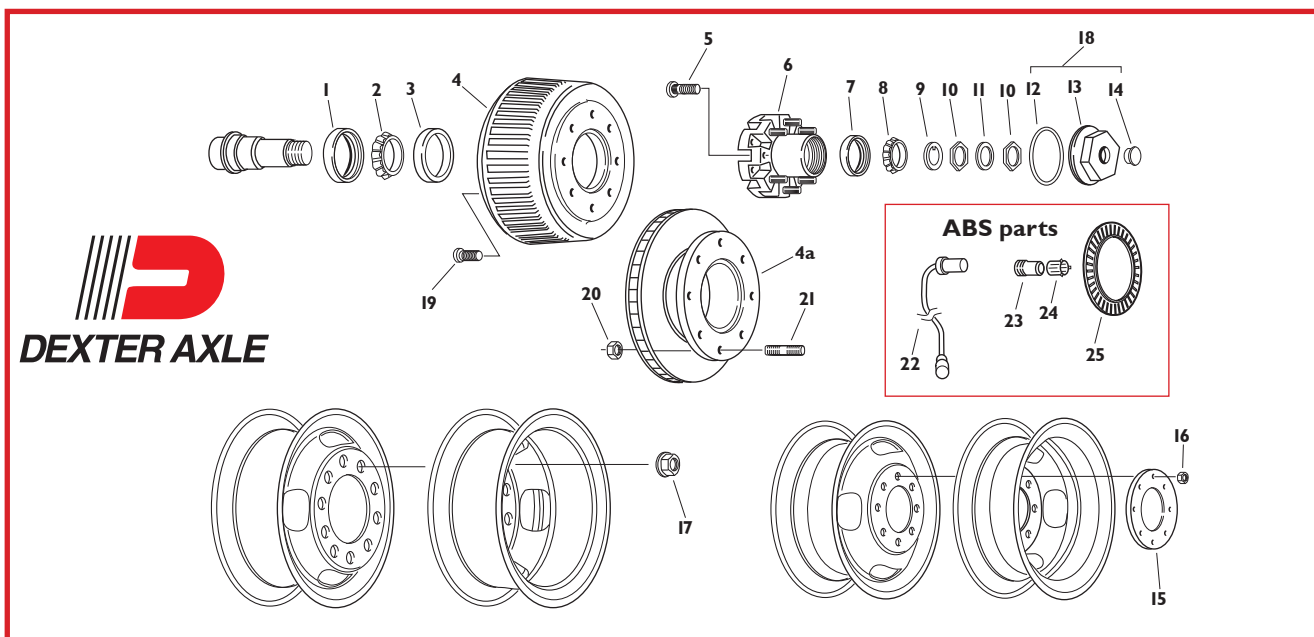


Item	Item Description	10K General Duty 99 Spindle	10 & 12K HD 120 Spindle	10 & 12K Disc 120 Spindle	16K Air/Electric 160 Spindle
1	Oil Seal	91030	91023	91023	91023
2	Inner Bearing Cone	28580	JM511946	JM511946	39590
3	Inner Bearing Cup	28521	JM511910	JM511910	39520
4	Armature Plate	H92406	H92406	H92406	H92406
4a	Flat Head Bolt, 1/4" - 20	H9070301	H9070301	H9070301	H9070301
4b	Lock Washer, 1/4"	5128	H90502	H90502	H90502
4c	Hex Nut, 1/4" - 20	H90610	H90610	H90610	H90610
5	Hub & Drum Flat Face	H9080572	-	-	-
5	Hub Drum Coined	H9080567	-	-	-
5a	Hub & Drum Mounting Bolt	-	H90745	-	H90745
5b	Hub Flat Face 5/8" Stud	-	H9089371	H9089421	-
5b	Hub Coined 5/8" Stud	-	H90884	H90814	H90884
5b	Hub Flat Face 3/4" Stud	-	H9089372	H9089425	H9080683
5c	Drum Only	-	H90904/H90907 (5.5")	-	H90907
* 5d	5/8" Swiveling Flange Nut	4235	4235	4235	4235
* 5d	3/4" Swiveling Flange Nut	-	4238	4238	4239
** 5e	5/8" Flange Wheel Nut	4233	4233	4233	-
*** 5f	5/8" 90° Cone Wheel Nut	4228	4228	4228	-
6	Wheel Stud - Flat Face	63339	63329	63329	63336
7	Outer Bearing Cup	25520	JM205110	JM205110	JM205110
8	Outer Bearing Cone	25580	JM205149	JM205149	JM205149
9	Spindle Washer	90525	90525	90525	90525
10	Spindle Nut	90623	90623	90623	90623
11	Cotter Pin	91903	91903	91903	91903
12	Oil Cap Assembly	81991	81991	81991	81991
12a	"O" Ring	H92127	H92127	H92127	H92127
12b	Gasket	H9103502	H9103502	H9103502	H9103502
12c	Oil Cap Plug	81989	81989	81989	81989
13	Wheel Clap Ring for 5/8" Studs	133052-01	133052-01	133052-01	-

**NOTE:** \* Use with flat face wheels    \*\*Use with coined wheels    \*\*\*Use with wheel clamp ring

Information  
Hubs & Axles  
Brake Assemblies  
Suspensions & Fasteners  
Tires & Wheels  
Couplers, Jacks & Winches  
Hitches & Towing Accessories  
Body Components  
Trailer Parts  
Lights & Electrical  
Locks & Cargo Control  
Brake Actuating Systems  
Switches

**Hubs & Drums for “Dexter” 9K and Larger Axles**



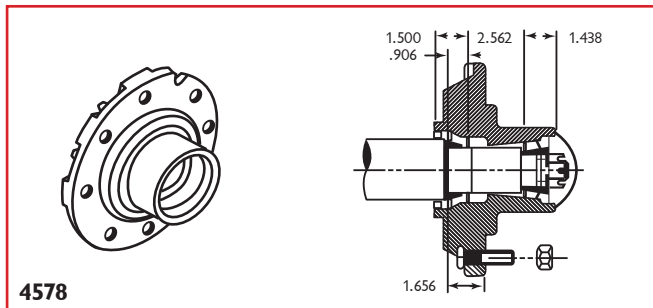
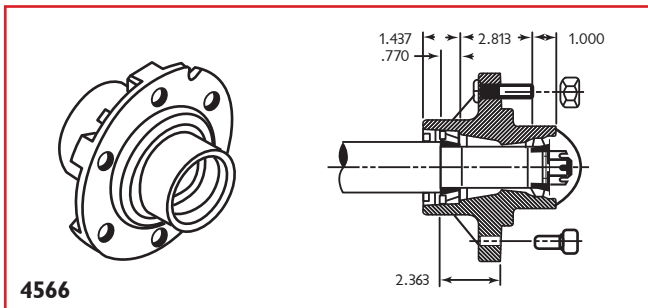
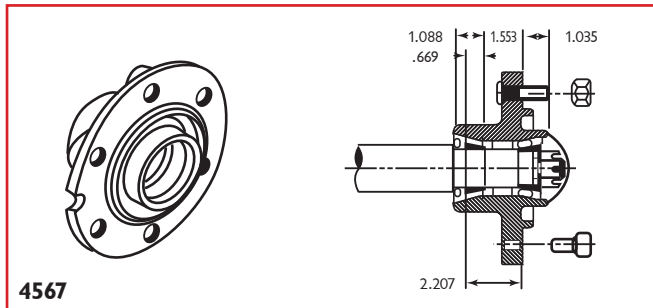
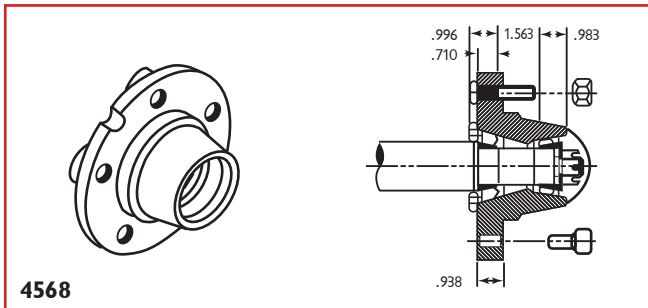
Item	Item Description	9 & 10K General Duty	10K HD 8 on 6.50	10K HD Disc 8 on 6.50	12K Hi-Profile 8 on 6.50	12K Disc 8 on 6.50	15K 8 on 275mm
1	Unitized Oil Seal	91051	91023	91023	91023	91023	91023
2	Inner Bearing Cone	387A	395S	395S	3984	3984	3984
3	Inner Bearing Cup	382A	394A	394A	3920	3920	3920
4	Brake Drum	109044-01/109123-01*	109027-01	-	109028-01	-	109028-01
4	Brake Drum-ABS	109044-03/109123-03*	109027-03	-	109028-05	-	109028-05
4a	Brake Rotor	-	-	107006-01	-	107006-01	-
4a	Brake Rotor-ABS	-	-	107006-02	-	107006-02	-
5	Wheel Mtg. Stud	107115	107115	107115	107115	107115	107194 (Std) 107195 (Long)
6	Hub w/Cups & Stud	108288-03/108430-03*	108214-05	108214-06	108214-08	108214-10	108401-05 (Std) 108401-06 (Long)
7	Outer Bearing Cup	25520	382A	382A	28622	28622	28622
8	Outer Bearing Cone	25580	387A	387A	28682	28682	28682
9	Spindle Washer	105070	105060	105060	105060	105060	105060
10	Spindle Nut	106096	106084	106084	106084	106084	106084
11	Tang Washer	105071	105059	105059	105059	105059	105059
12	Oil Cap “O” Ring	110050/110163*	110050	110050	110050	110050	110050
13	Oil Cap	121036/121088*	121036	121036	121036	121036	121036
14	Oil Cap Plug	146032	146032	146032	146032	146032	146032
15	Wheel Clamp Ring	133052-01	133052-01	133052-01	133052-01	133052-01	-
16	Cone Wheel Nut	4228	4228	4228	4228	4228	-
17	Swivel Flange Nut	4235	4235	4235	4235	4235	106118
18	Oil Cap Assembly	81993/81994*	81993	81993	81993	81993	81993
19	Drum Mounting Screw	107292	107244	-	107244	-	107244
20	Rotor Mounting Nut	-	-	106046	-	106046	-
21	Rotor Mounting Stud	-	-	125014	-	125014	-
22	ABS Sensor, Straight	197004	197004	197004	197004	197004	197004
23	ABS Sensor Block	124204	124204	-	124204	-	124204
24	ABS Sensor Clip	197002	197002	197002	197002	197002	197002
25	ABS Tone Ring	124203	124203	124203	124203	124203	124203

**NOTE:** \* For axles built after July 2009

Hub part numbers shown are cupped and studded only. Bearings are not included. Call for part numbers on complete assemblies.

### Agricultural Hub Groups

(Groups come complete with all Nuts, Bolts, Bearings, Seal, Cap and Spindle)



* Group Part #	** Hub Assembly Part #	Spindle # <small>Shank Dia./Overall Length/Thread</small>	Bearing Numbers Inner	Bearing Numbers Outer	Seal	Cap	Bolts	Nuts	Bolt Pattern	Capacity
4568	4568-HA	4568-S 1.75"/12.31"/3/4"-16	48548 1 1/8"	67048 1 1/4"	91175	81604	83922	4226	5 on 5 1/2"	2,500 lbs
4567	4567-HA	4567-S 1.75"/12.0"/3/4"-16	69349 1 1/2"	67048 1 1/4"	91162	81604	83922	9/16" - 18	6 on 6"	3,560 lbs
4566	4566-HA	4566-S 2.0"/11.0"/3/4"-16	LM501349 1 5/8"	67048 1 1/4"	91200	81604	63327 Press-In	4230	6 on 6"	3,560 lbs
4578	4578-HA	4578-S 2.75"/14.0"/1"-14	JLM506849 55mm	LM501349 1 5/8"	91275	81609	63330 Press-In	5/8" - 18	8 on 8"	6,000 lbs

**NOTE:** \* Groups come complete with all Nuts, Bolts, Bearings, Seal, Cap and Spindle  
 \*\* Hub Assembly comes complete with all Nuts, Bolts, Bearings, Seal and Cap

**Offset** is measured from the wheel mounting surface to the centerline of the wheel.

There are two types of offset - **Positive and Negative.**

**Positive Offset** is when the wheel mounting surface is outside of the wheel centerline.

**Negative Offset** is when the wheel mounting surface is inside of the wheel centerline.



### Agricultural Wheels

Part #	Rim Size	Bolt Pattern	Positive Offset	Negative Offset	Pilot Hole	Capacity
10195	15" x 6"	5 on 5 1/2"	-	1/4"	4"	2,000 lbs
10196	15" x 6"	6 on 6"	1.12"	-	4.62"	2,800 lbs

**NOTE:** Other agricultural hub groups and wheels available on request

Information  
 Hubs & Axles  
 Brake Assemblies  
 Suspensions & Fasteners  
 Tires & Wheels  
 Couplers, Jacks & Winches  
 Hitches & Towing Accessories  
 Body Components  
 Trailer Parts  
 Lights & Electrical  
 Locks & Cargo Control  
 Brake Actuating Systems  
 Switches

**Bearings and Races**

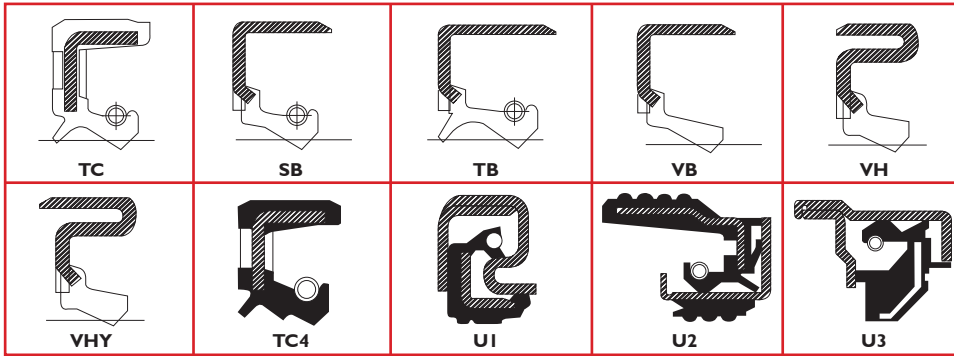


Bearing Part #	Race Part #	Bearing ID		Bearing Thickness	Race O.D.	Spindle Type
		Decimal	Fractions			
11949	11910	.75"	3/4"	.655"	1.781"	BT
12749	12711	.8656"	7/8"	.655"	1.811"	HADCO
44643	44610	1.00"	1"	.580"	1.980"	BT-8
44649	44610	1.0625"	1 1/16"	.580"	1.980"	BT9, 12 x #84
67048	67010	1.250"	1 1/4"	.660"	2.329"	SPEC., #42
15123	15245	1.250"	1 1/4"	.750"	2.4409"	#42
14125	14276	1.250"	1 1/4"	.77"	2.717"	#42
L2475	L2420	1.250"	1 1/4"	.875"	2.6875"	#42-8K
L2585	L2520	1.3125"	1 5/8"	.9983"	2.615"	DX8, 9K
68149	68110*/68111	1.375"	1 3/8"	.660"	2.328"/2.3612"	#84
48548	48510	1.375"	1 3/8"	.720"	2.5625"	#84
69349	69310	1.4961"	38mm	.6693"	2.480"	MH
LM501349	LM501310	1.625"	1 5/8"	.780"	2.891"	AG
25580	25520	1.750"	1 3/4"	1.00"	3.265"	#42, 99
JM205149	JM205110	1.9685"	1 31/32"	1.1024"	3.5433"	#120
28580	28521	2.000"	2"	1.00"	3.625"	#99
JLM506849	JLM506810	2.1654"	55mm	.9055"	3.5433"	AG
387A	382A	2.250"	2 1/4"	.864"	3.8125"	DX9, 10K GD
28682	28622	2.250"	2 1/4"	.9688"	3.8437"	DX12-15K
JM511946	JM511910	2.5591"	65mm	1.1024"	4.3307"	#120
395S	394A	2.625"	2 5/8"	.8660"	4.3307"	DX10K HD
3984	3920	2.625"	2 5/8"	1.1875"	4.4375"	DX12-15K
131072-03	NONE	35mm	1.38"	37mm/1.46"	64mm/2.52"	3.5K Nev-R-Lube
131073-03	NONE	42mm	1.64"	39mm/1.54"	76mm/2.99"	5 & 6K Nev-R-Lube
131071-03	NONE	50mm	1.97"	54mm/2.13"	84mm/3.31"	7.2 & 8K Nev-R-Lube

**NOTE:** Other bearings and races available on request

\* Used in some UFP and Ranger hubs.

**Seals Listed in order by shaft size, then O.D.**

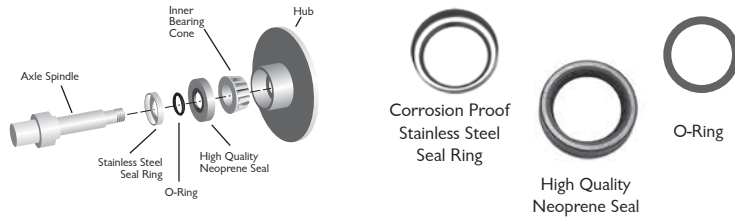


Part #	Industry #	Spindle Size	Shaft Size	Seal O.D.	Seal Width	Type	Lip Design
4247	11174VB	BT	1.125"	1.784"	.469"	Grease	VB
46750	121982VH	BT8/BT16	1.250"	1.983"	.250"	Grease	VH
46760	12192TB	BT8	1.250"	1.983"	.250"	Grease	TB
46761	12194TC	BT8/BT16	1.250"	1.980"	.250"	Grease/Oil	TC
11084	125255UC	BT8/BT16	1.250"	1.980"	.250"	Grease/Oil	TC4
70001-SO	13194TB	BT	1.370"	1.970"	.480"	Grease	SB
46757	15192TB	BT9	1.500"	1.987"	.250"	Grease	TB
8752	15234TB	1 1/4" ST	1.500"	2.332"	.406"	Grease	TB
91162	162252VH	AG	1.625"	2.562"	.438"	Grease	VH
58830	168233TB	1 1/4" x 3/4" & UFP 3.7K	1.688"	2.328"	.313"	Grease	TB
58831	168255TB	UFP 3.7K	1.688"	2.560"	.500"	Grease/Oil	TB
58832	168255TC	UFP	1.684"	2.562"	.516"	Grease	TC
58856	171255TB	84	1.719"	2.565"	.500"	Grease	TB
58857	171255TC	84	1.719"	2.565"	.500"	Oil	TC
11088	171255UC	84	1.719"	2.565"	.500"	Oil	TC4
58858	XLPRO1980	84	1.719"	2.565"	.500"	Oil	U2
110042	17233VB	2.8K	1.750"	2.331"	.312"	Grease	VB
91010	SE1752355OTC	HADCO	1.750"	2.350"	.313"	Grease	TC
91175	17273VHY	AG	1.750"	2.722"	.359"	Grease	VHY
70002-SO	AB2741N	84	1.875"	2.560"	.590"	Grease	SB
91027	48X63X9TB	MH	1.899"	2.480"	.354"	Grease	TB
91040	1932502VB	MHU	1.938"	2.510"	.281"	Grease	VB
110041	10-41	MH	1.938"	2.530"	.370"	Grease	VB Nylon
91200	203062VH	AG	2.000"	3.066"	.250"	Grease	VH
32374	21325TB	UFP 42	2.125"	3.264"	.456"	Grease	TB
42379	21333TB	42	2.125"	3.376"	.313"	Grease	TB
101010	21334TC	42	2.125"	3.376"	.453"	Grease	TC
42385	22333TB	42	2.250"	3.376"	.375"	Grease	TB
42387	22333TC	42	2.250"	3.376"	.375"	Oil	TC
11086	225255UC	42	2.250"	3.370"	.500"	Grease/Oil	TC4
42388	XLPRO2440	42	2.250"	3.376"	.375"	Oil	U2
91063	AP3137N1	DX8-9K	2.250"	3.376"	.414"	Oil	U2
70011-SO	#11 Spindo Seal	42	2.340"	3.376"	.375"	Grease	SB
91048	10-48	DX	2.375"	3.376"	.440"	Oil	SB
568120	23364SA	89	2.375"	3.625"	.438"	Grease	SB
91275	27372VHY	AG	2.750"	3.756"	.375"	Grease	VHY
91030	B370352BG	99	2.750"	3.779"	.760"	Oil	U2
91051	370150	DX	2.875"	3.880"	.500"	Oil	U1
91051-N	370150	DX	2.875"	3.880"	.500"	Oil (Dexter)	U2
91023	370014	120	3.125"	4.506"	.610"	Oil	U1

Information  
Hubs & Axles  
Brake Assemblies  
Suspensions & Fasteners  
Tires & Wheels  
Couplers Jacks & Winches  
Hitches & Towing Accessories  
Body Components  
Trailer Parts  
Lights & Electrical  
Locks & Cargo Control  
Brake Actuating Systems  
Switches

**Spindle Seal Saver Kits**

(Kits includes 2 each: Seals, Stainless Rings, and O-rings)

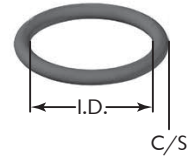


Kit Part #	Model	Use with Bearing-Buddy	If Inner Bearing Cone Number is	Bearing Size	Outside Seal Diameter Is	Seal Only Part #
70001	#1	1980	L44643	1"	1.98"	70001-SO
70002	#2	1980, 1968, 2562	LM48548, L68149	1 3/8"	2.56"	70002-SO
* 70005	#5	1980	L44649	1 1/16"	1.98"	70005-SO
70007	#7	1781	LM67048	1 1/4"	2.33"	70007-SO
70008	#8	2328	LM67048	1 1/4"	2.33"	70008-SO
70010	#10	1810	L68149	1 3/8"	2.36"	70010-SO
70011	#11	2441, 2717	25580	1 3/4"	3.38"	70011-SO

**NOTE:** \* Will not fit axles with 1.5" seal surface

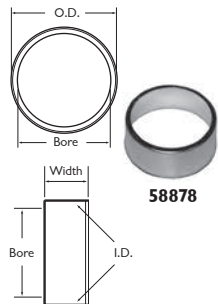
**O-rings**

(Measured by I.D. and Cross Section - Sorted by Application, then I.D.)



Part #	Actual/Nominal		Application
	I.D.	Cross Section (C/S)	
110059	2.359" / 2 3/8"	0.139" / 1/8"	Dexter 21-40 cap
110045	2.609" / 2 5/8"	0.139" / 1/8"	Dexter 21-35 & 21-22 caps
110163	3.234" / 3 1/4"	0.139" / 1/8"	Dexter 21-88 cap
110050	3.737" / 3 3/4"	0.139" / 1/8"	Dexter 21-36, 21-37 caps
H92130	2.612" / 2 5/8"	0.103" / 3/32"	Hayes & Al-Ko 7-8K oil cap
H92717	3.484" / 3 1/2"	0.139" / 1/8"	Hayes & Al-Ko 9-16K oil cap
81737-1	1.600" / 1 5/8"	0.210" / 3/16"	Kodiak XL Pro Lube oil cap 1.98" hub bore
81738-2	2.225" / 2 1/4"	0.210" / 3/16"	Kodiak XL Pro Lube oil cap 2.44" hub bore
17473	0.426" / 7/16"	0.070" / 1/16"	Tie Down brass block for caliper banjo bolt
17443	1.484" / 1 1/2"	0.139" / 1/8"	Tie Down #84 spindle, under wear sleeve #58876
17476	1.975" / 2"	0.210" / 3/16"	Tie Down Vortex cap 2-3.7K Axles
17454	2.234" / 2 1/4"	0.139" / 1/8"	Tie Down TurboLube cap 2-3.7K Axles
17457	2.600" / 2 5/8"	0.210" / 3/16"	Tie Down TurboLube & Vortex caps 5.2-6K Axles
32736	1.489" / 1 1/2"	0.070" / 1/16"	UFP 3.7-4.2K Under wear sleeve
32738	1.864" / 1 7/8"	0.070" / 1/16"	UFP 5.2-6K Under wear sleeve
32742	1.989" / 2"	0.070" / 1/16"	UFP 2.3-3.7K Grease/oil cap in hub nose groove
32741	2.364" / 2 3/8"	0.070" / 1/16"	UFP 4.2-5.2K Grease/oil cap in hub nose groove

**Wear Sleeves**



Part #	O.D.	I.D.	Width	Bore	Application
					(Some sleeves must be drilled for outlet hole)
58874	1.25"	1.21"	0.58"	1.08"	BT with 1.25" ID seal
33522	1.68"	1.61"	0.59"	1.45"	#84 with 1.68" ID seal
33517	1.68"	1.61"	0.59"	1.45"	#84 with 1.68" ID seal, with outlet hole
58876	1.72"	1.68"	0.72"	1.5"	#84 with 1.72" ID seal
33304-UFP	2.13"	2.05"	0.59"	1.84"	#42 with 2.125" ID seal, with outlet hole
58878	2.25"	2.212"	0.74"	1.88"	#42 with 2.25" ID seal



**Bearings Kit (For Trailer Axles)**



**KIT INCLUDES**

Part #	Bearing Size		Seal Surface	Spindle Style	Inner		Outer		Seal	Retainer
	Inner	Outer			Bearing	Race	Bearing	Race		
74234	¾"	¾"	1.125"	BT	11949	11910	11949	11910	4247	34007
74201	1"	1"	1.250"	BT-8	44643	44610	44643	44610	46760	34007
74214	1¼"	1¼"	1.500"	SPEC.	67048	67010	67048	67010	8752	34007
74216	1½"	1½"	1.250"	BT-12	44649	44610	44649	44610	46760	34007
74217	1½"	1½"	1.500"	BT-9	44649	44610	44649	44610	46757	34007
74236	1¼"	¾"	1.688"	SPEC.	67048	67010	11949	11910	58830	34007
74237	1⅜"	⅞"	1.750"	HADCO	68149	68111	12749	12711	91010	34007
74238	1⅜"	1⅛"	1.719"	#84, 3.5K	68149	68111	44649	44610	58856	34007
74238-EZ*	1⅜"	1⅛"	1.719"	84 EZ Lube 3.5K	68149	68111	44649	44610	58856	105101
74240	1⅜"	1¼"	1.938"	DX-MHU 4.5K	68149	68111	67048	67010	91040	34007
74241	1½"	1¼"	1.890"	HAYES MH 4.5K	69349	69310	67048	67010	91027	34007
74242	1¾"	1¼"	2.250" 2.125"	#42 5.2-6K	25580	25520	67048	67010	42385 42379	34007
74243	1¾"	1¼"	2.250" 2.125"	42 EZ Lube 5.2-6K	25580	25520	15123	15245	42385 42379	34007
74243-EZ*	1¾"	1¼"	2.250" 2.125"	42 EZ Lube 5.2-6K	25580	25520	15123	15245	42385 42379	105101
74244	1¾"	1¼"	2.250" 2.125"	#42 6-7K	25580	25520	14125	14276	42385 42379	34007
74245	1¾"	1¼"	2.250"	8K	25580	25520	L2475	L2420	91063	34007
74247	2¼"	1¾"	2.875"	DEXTER 9-10K GD	387A	382A	25580	25520	91051	105071
74248	2"	1¾"	2.800"	HAYES/AL-KO 9-10K GD	28580	28521	25580	25520	91030	91903
74249	2.559"	1.969"	2.800"	HAYES/AL-KO 10KHD-12K	JM511946	JM511910	JM205149	JM205110	91023	91903
74250	2⅝"	2¼"	2.800"	DEXTER 10K HD	395S	394A	387A	382A	91023	105059
74251	2⅝"	2¼"	2.800"	DEXTER 12-15K	3984	3920	28682	28622	91023	105059

Information  
Hubs & Axles  
Brake Assemblies  
Suspensions & Fasteners  
Tires & Wheels  
Couplers, Jacks & Winches  
Hitches & Towing Accessories  
Body Components  
Trailer Parts  
Lights & Electrical  
Locks & Cargo Control  
Brake Actuating Systems  
Switches

**GREASE CAPS**



**Standard Solid Caps**

Part #	Size	Finish	Spindle #	Outer Bearing Size   Description
81610	1.786"	Zinc	BT	3/4"
81733	1.986"	Zinc	BT & 84	1" or 1 1/16"
81846	2.333"	Zinc	SPEC.	1 1/4" Straight Spindle
45896	2.448"	Zinc	42	1 1/4" Tapered Spindle
81604	2.448"	Plain	AG	1 1/4" AG Hub #4568 & 4566
81605	2.720"	Zinc	42-HD	1 1/4" with #14125 Outer Bearing
81605-SS	2.720"	Stainless	42-HD	1 1/4" with #14125 Outer Bearing
81609	3.125"	Plain	AG	1 5/8" AG Hub #4578
121085	3.125"	Zinc	42mm Nev-R-Lube	Dexter 42mm Nev-R-Lube
568124	3.340"	Zinc	#89 AL-KO	1 3/4" AL-KO 8K with 12x2 Brake
121086	3.355"	Zinc	50mm Nev-R-Lube	Dexter 50mm Nev-R-Lube
81620	3.620"	Plain	99	1 3/4" - AL-KO/Hayes 9-10K GD

**Lube Type Caps for a rubber plug** *(Rubber plug not included, unless indicated)*

Part #	Size	Finish	Spindle #	Outer Bearing Size   Description
121041	1.986"	Zinc	BT & 84	1" or 1 1/16", E-Z Lube Style Axles (Usually 4 or 5 bolt)
121041-A	1.986"	Zinc	BT & 84	Includes #121041 Cap and #185001 Plug
81721	1.986"	Stainless	BT & 84	1" or 1 1/16"
AT-3SS	1.986"	Stainless	BT & 84	Sold in pairs. Includes bras. Retail package
121044	2.330"	Zinc	UFP 4.2K & others	1 3/8" & some 1 1/4". 1.3" hole requires #32640 Plug
121042	2.441"	Zinc	42	1 1/4", E-Z Lube Style Axles (Usually 6 bolt)
121042-A	2.441"	Zinc	42	Includes #121042 Cap and #185001 Plug
81722	2.441"	Stainless	42	1 1/4" (Usually 6 bolt)
121043	2.717"	Zinc	42	1 1/4", E-Z Lube Style Axles (Usually 8 bolt)
121043-A	2.717"	Zinc	42	Includes #121043 Cap and #185001 Plug
81723	2.720"	Stainless	42-HD	1 1/4" (Usually 8 bolt)

**Rubber Plugs for Lube Type Caps**

Part #	Outer Bearing Size   Description
185001	Fits caps with 13/16" (1.19") diameter hole
81174	Fits caps with 1.23" diameter hole (For cap #121044) and SuperLube brand caps. Sold in Pairs.

**Hybrid Oil / Grease Caps**

Part #	Size	Finish	Spindle #	Outer Bearing Size   Description
81747	1.986"	Stainless	BT & 84	Press-in UFP Trailer Buddy Vault Protector use #188013 Hybrid grease
48355-BV	2.290"	Plastic	BT & 84	Threaded Tie-Down Engineering Vortex system
48357-BV	2.830"	Plastic	42	Threaded Tie-Down Engineering Vortex system

**Solid Caps with Grease Fittings**

Part #	Size	Finish	Spindle #	Outer Bearing Size   Description
81735	1.896"	Zinc	BT-8, 9, 12 & 84	1" or 1 1/16" - Cap with Grease Fitting
81739	2.441"	Zinc	42	1 1/4" (Usually 6 bolt)
81740	2.717"	Zinc	42	1 1/4" (Usually 8 bolt)

### Spring Loaded Greasable Wheel Bearing Protectors



- Provide protection against damage from water and dirt entering the wheel bearings.
- Automatically maintain the correct internal pressure – can not damage seals.
- Made of chrome plated steel/stainless steel/polycarbonate.
- NOT intended to replace regular maintenance of bearings and hubs.
- Using bras prevents excess grease from being thrown onto trailer wheels, and keeps dirt out of spring mechanism and zirc fitting.

### UFP Trailer Buddy

(Auto Check: visual lubricant and pressure indicator – Sold in pairs)

Part # <small>(Chrome Plated Steel)</small>	Part # <small>(Stainless Steel)</small>	Model #	Diameter	Outer Bearing Cone	Bearing Race #
71781	-	1781	1.781"	LM11949	LM11910
71810	-	1810	1.810"	LM12749	LM12711
71938	-	1938	1.938"	09067	09194, 95, 96
71968	-	1968	1.968"	M12649	M12610
71980	73190	1980	1.980"	L44643, L44649, L44640	L44610
71980T	-	1980T	1.980"	Internally Threaded Hubs	-
72047	-	2047	2.047"	Various	07204
72080	-	2080	2.080"	900 Series	900 Series
72240	-	2240	2.240"	1700 Series	1729
72328	-	2328	2.328"	LM67048, Hub is not Counterbored	LM67010
72441	73244	2441	2.441"	LM67048, Hub is Counterbored	LM67010
72441	73244	2441	2.441"	15123 and Others	15245
72562	-	2562	2.562"	48548	48510
72717	73271	2717	2.717"	14124, 14125A	14276

### UFP Trailer Buddy Bras (sold in pairs)

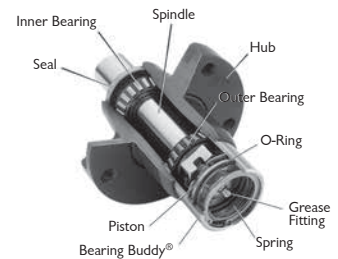
Part #	Model #	Fits Model
70017	17B	1781 and 1810 (1.94" cap OD)
70019	19B	1980, 1938, 1968, 2047 and 2080 (2.12" cap OD)
70023	23B	2328, 2441, 2717, 2562 and 2240 (2.36" cap OD)

### Bearing Protectors and Bras

Part #	Bra Part #	Qty	Size	Material	Fits Hub Group
81980	81985	Each	1.980"	Chrome Plated Steel	BT and UHI Hubs #L44643 & L44649 Outer Bearings
81980-2	81985-2	Pair	1.980"	Chrome Plated Steel	
81987	included	Pair	1.980"	Chrome Plated Steel	
81981	70019	Pair	1.980"	Stainless Steel	
82441	81986	Each	2.441"	Chrome Plated Steel	13 HRM and some 865 Hubs
82441-2	81986-2	Pair	2.441"	Chrome Plated Steel	#LM67048 & 15123 Outer Bearings

### Bearing Protector Bras

Bra Part #	Packaged	Fits Model	Description
81985	Single	Fits #81980 Bearing Lubricators	The bra prevents any excess grease from being thrown on to trailer wheels and keeps dirt out of spring mechanism and zirc fitting. Black in color.
81985-2	Pair		
81986	Single	Fits #82441 Bearing Lubricators	
81986-2	Pair		



Information

Hubs & Axles

Brake Assemblies

Suspensions & Fasteners

Tires & Wheels

Couplers Jacks & Winches

Hitches & Towing Accessories

Body Components

Trailer Parts

Lights & Electrical

Locks & Cargo Control

Brake Actuating Systems

Switches

Information

Hubs  
& Axles

Brake  
Assemblies

Suspensions  
& Fasteners

Tires &  
Wheels

Couplers  
Jacks &  
Winches

Hitches &  
Towing  
Accessories

Body  
Components

Trailer Parts

Lights &  
Electrical

Locks &  
Cargo Control

Brake  
Actuating  
Systems

Switches

## Crew Mate™ Bearing Protector

Fits 1.98" ID Hubs

### CREW MATE™ BEARING PROTECTOR

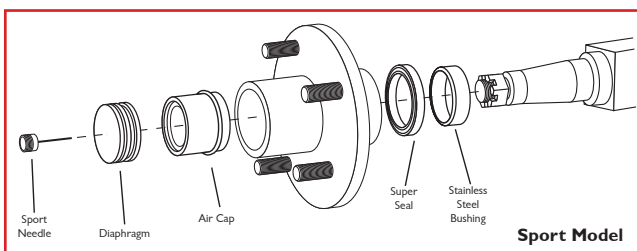


82190-1

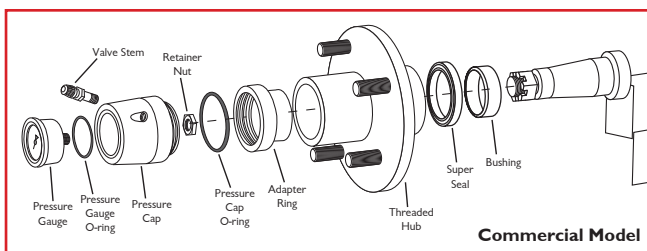
Part #	Packaged	Description
82190	1 Pair	<ul style="list-style-type: none"> <li>Made of clear engineering grade polycarbonate.</li> <li>Heavy duty pressure plate keeps grease pressed against the bearings and keeps water out.</li> </ul>
82190-1	Single	<ul style="list-style-type: none"> <li>Overload outlet.</li> <li>Stainless steel pressure spring.</li> </ul>

## AIR-TIGHT BEARING PROTECTOR

Patented Air tight design utilizes heavy duty molded Super Seal with stainless steel bushing. Sport Model diaphragm cap or Commercial Model pressure gauge to confirm seal integrity with internal hub air pressure. These kits are sold per hub. Order 2 per axle. Replacement parts are available on request.



Sport Model



Commercial Model

## Air-Tight Bearing Protector (Sport Model)



AT-35US



AT-700

Part #	Application	Fits Axle	Kit Includes
AT-35US	1.98" Cap 5 Lug Hub	3,500 lbs	<ul style="list-style-type: none"> <li>Air Cap</li> <li>Sport Needle</li> </ul>
AT-52US	2.44" Cap 6 Lug Hub	5,200 lbs	<ul style="list-style-type: none"> <li>Diaphragm</li> <li>Stainless Steel Bushing</li> </ul>
AT-70US	2.72" Cap 8 Lug Hub	7,000 lbs	<ul style="list-style-type: none"> <li>Super Seal™</li> <li>Shims</li> <li>Bonding Agent</li> </ul>

## Hand Pump

Part #	Kit Includes
AT-700	Hand Pump for Air-Tight Cap

## Air-Tight Bearing Protector (Commercial Model)



AT-35UC

Part #	Application	Fits Axle	Kit Includes
AT-35US	1.98" Cap 5 Lug Hub	3,500 lbs	<ul style="list-style-type: none"> <li>Universal adaptor ring, hard-coat anodized</li> <li>Bushing, stainless steel</li> </ul>
AT-52US	2.44" Cap 6 Lug Hub	5,200 lbs	<ul style="list-style-type: none"> <li>Super Seal™</li> <li>Air pressure gauge unit cap, hard-coat anodized</li> </ul>
AT-70US	2.72" Cap 8 Lug Hub	7,000 lbs	<ul style="list-style-type: none"> <li>Fill valve, bronze with nickel plating</li> <li>Bonding agent</li> </ul>

## Kodiak XL Prolube Oil Bath Hub Kit

Kit includes (2) Caps, (2) Seals and Oil



81737-K

Part #	Application	Kit Includes
81737-K	3.5K Axles 1.719 x 2.565 seal	Converts grease hubs to oil bath, features an anodized aluminum housing, and watertight O-ring seal. The synthetic oil included with the kit. Caps, seals, and oil also sold separately.
81738-K	5.2K - 6K Axles 2.250 x 3.376 seal	
81737-4		XL Prolube synthetic oil, 8 oz bottle

**OIL CAPS**

(Complete with O-Ring and Filler Plug, unless indicated)

**AL-KO Hayes**



Part #	Diameter	Fits Axle Size	O Ring #	Filler Plug #	Cap Only #	Gasket #
81988	2.83"	AL-KO, Hayes 8K Axle Hubs (After 1997)	H92130	81989	-	H910350
81990	2.83"	AL-KO, Hayes 8K Axle Hubs (Before 1997)	H92130	81989	-	H910350
81991	3.69"	AL-KO, Hayes New Q.R.G. 9-16K Axle Hubs	H92127	81989	-	-



**81990**

**81991**

**Dexter**



Part #	Diameter	Fits Axle Size	O Ring #	Filler Plug #	Cap Only #	Gasket #
121040-K	2.61"	Dexter 5.2K - 7K Demountable, 21-40	110059	-	121040	-
81992	2.83"	Dexter 7-9K Axle 8 Lug Hubs, 21-35	110045	146032	121035	-
81994	3.46"	Dexter 9K-10K General Duty built after June 2009, 21-40	110163	146032	121088	-
81993	3.98"	Dexter 10-15K Axle Hubs, 21-36	110050	146032	121036	-



**81993** (sold individually)

**Kodiak**



Part #	Diameter	Fits Axle Size	O Ring #	Filler Plug #	Cap Only #	Gasket #
81737	2.83"	Kodiak 2-3.5K grease to oil conversion	-	-	-	-
81738	2.83"	Kodiak 5.2-6K grease to oil conversion	-	-	-	-
81748	3.69"	Kodiak 7-8K 8 lug Hub/Rotor	110045	146032	-	-



**81737** (sold individually)



**81748**

**Quality | Rockwell American**



Part #	Diameter	Fits Axle Size	O Ring #	Filler Plug #	Cap Only #	Gasket #
81995	3.50"	Q.R.G old style 9-10K fine thread	H92127	146032	-	-
81991	3.69"	Q.R.G. 9-16K Axle Hubs	H92127	81989	-	-



**81995**

**Tie Down**



Part #	Diameter	Fits Axle Size	O Ring #	Filler Plug #	Cap Only #	Gasket #
81734	2.33"	Tie Down 3.5K TurboLube. Threaded Hub	17476	48395-1	48399	48399
81736	2.83"	Tie Down 5.2K - 6K TurboLube. Threaded Hub	17454	48395-1	-	-



**81734**

**UFP**



Part #	Diameter	Fits Axle Size	O Ring #	Filler Plug #	Cap Only #	Gasket #
81743	1.98"	UFP Oil Bath (O-ring not included)	32742	-	-	-
81742	2.33"	UFP Oil Bath (O-ring not included)	32741	-	-	-
81744	2.44"	UFP Oil Bath (O-ring not included)	32741	-	-	-



**81743** (sold individually)

Information

Hubs & Axles

Brake Assemblies

Suspensions & Fasteners

Tires & Wheels

Couplers Jacks & Winches

Hitches & Towing Accessories

Body Components

Trailer Parts

Lights & Electrical

Locks & Cargo Control

Brake Actuating Systems

Switches

Information

Hubs  
& Axles

Brake  
Assemblies

Suspensions  
& Fasteners

Tires &  
Wheels

Couplers  
Jacks &  
Winches

Hitches &  
Towing  
Accessories

Body  
Components

Trailer Parts

Lights &  
Electrical

Locks &  
Cargo Control

Brake  
Actuating  
Systems

Switches



4256



4251

4259



4221



4235

4233



83922



63120



58019



63120



79954

## Cone Nuts

Part #	Thread	Wrench Size	Description
4256	1/2 - 20 RH	13/16"	Cone Nut, 60° Angle, Zinc
4251	1/2 - 20 RH	3/4"	Cone Nut, 60° Angle, Chrome (Closed End) used with aluminum wheels
4258	1/2 - 20 RH	13/16"	Cone Nut, 60° Angle, Stainless Steel
4259	1/2 - 20 RH	13/16"	Cone Nut, 60° Angle, Stainless Steel (Closed End)
4227	3/8 - 18 RH	7/8"	Cone Nut, 60° Angle, Zinc
4226	3/8 - 18 RH	1"	Cone Nut, 90° Angle, Zinc
4228	5/8 - 18 RH	1 1/16"	Cone Nut, 90° Angle, Zinc
4230	5/8 - 18 RH	1 5/16"	Cone Nut, 90° Angle, Zinc

## Rim Nut

Part #	Thread	Wrench Size	Description
4221	1/2 - 20 RH	7/8"	Stud/Rim Clamp Nut, Flat

## Flanged Wheel Nuts

Part #	Thread	Wrench Size	Description
4233	5/8 - 18 RH	1 1/8"	Flanged Nut, Coined Wheel
4235	5/8 - 18 RH	1 1/8"	Swivel Flange Nut, Flat Wheel
4237	3/4 - 16 RH	1 1/8"	Flanged Nut, Coined Wheel
4238	3/4 - 16 RH	1 1/8"	Swivel Flange Nut, Flat Wheel

## Cone Studs

Part #	Thread	Wrench Size	Description
83922	1/2 - 20 RH x 1.62"	13/16"	Cone Stud, 60° Angle, Zinc
83928	3/8 - 18 RH x 1 1/8"	7/8"	Cone Stud, 90° Angle, Zinc

## Double Ended Studs

Part #	Thread	Overall Length
63120	1/2 - 20 RH x 1/2 - 20 RH	2"
63122	1/2 - 13 RH x 1/2 - 20 RH	2 1/2"
125011	3/8 - 12 RH x 3/8 - 18 RH	3.06"
125045	5/8 - 11 RH x 5/8 - 18 RH	2 1/2"

## Wheel Bolts

Part #	Thread	Wrench Size	Description
58019	1/2 - 13 RH x 1 5/8"	7/8"	Rim Clamp Bolt, Black
58020	1/2 - 20 RH x 1 1/2"	7/8"	Rim Clamp Bolt, Black
58123	1/2 - 20 RH x 1 7/8"	7/8"	Rim Clamp Bolt, Black
58216	1/2 - 13 RH x 1 7/8"	7/8"	Rim Clamp Bolt, Black

## Rubber Thread Protector - 10 pieces per pack

Part #	Description
AT-STUDPRO	<ul style="list-style-type: none"> <li>• UV/High temperature materials</li> <li>• Fits 1/2" diameter studs</li> <li>• Protects threads from corrosion</li> <li>• For trouble free nut removal</li> </ul>

## Rim Clamp

Part #	Description
79954	For Demountable Rim (Mobile Home Style)

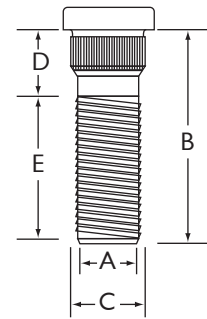
**Press-In Studs**

(Sorted by tread size A, and length B, then C, D, E)

Part #	A	B	C	D	E	Finish	Notes
107112	3/8 - 24	0.88"	0.410"	0.32"	0.68"	Plain	12" Brake
107041	7/16 - 20	0.92"	0.515"	0.32"	0.60"	Plain	10" Brake
63316	1/2 - 20	1.24"	0.55"	0.33"	0.91"	Zinc	Titan/Dico Fabricated
63318	1/2 - 20	1.64"	0.61"	0.46"	1.18"	Zinc	Titan/Dico Cast
107185	1/2 - 20	1.64"	0.61"	0.55"	1.09"	Plain	Dexter 3.5K Nev-R-Lube. Green Tint
63323	1/2 - 20	1.66"	0.54"	0.58"	1.08"	Zinc	Kodiak 5 & 6 Bolt Hub/Rotor
32498	1/2 - 20	1.70"	0.55"	0.56"	1.14"	Zinc	UFP 5 Bolt
11131	1/2 - 20	1.75"	0.56"	0.62"	1.13"	Zinc	Tie-Down Rotors & BT hubs 2009+
63320	1/2 - 20	1.81"	0.535"	0.58"	1.23"	Plain	AL-KO/Hayes Idlers & 10" Drum & Dexter BT Hubs & Drums
11118	1/2 - 20	1.84"	0.54"	0.52"	1.32"	Zinc	Tie-Down Rotors & BT hubs before 2009
107122	1/2 - 20	1.85"	0.61"	0.73"	1.12"	Plain	Dexter 2.3 - 7K
11138	1/2 - 20	1.99"	0.55"	0.62"	1.37"	Zinc	Tie-Down some 4, 5, 8 lug hubs 2009+
63321	1/2 - 20	2.00"	0.535"	0.60"	1.40"	Zinc	Most 4,5,6 & 8 Bolt, not Dexter/AL-KO
11132	1/2 - 20	2.00"	0.56"	0.62"	1.38"	Zinc	Tie-Down some UHI & 6 lug hubs 2009+
32855	1/2 - 20	2.03"	0.55"	0.93"	1.10"	Zinc	UFP 6 & 8 Bolt
107150	1/2 - 20	2.10"	0.61"	0.70"	1.40"	Zinc	Dexter
63325	1/2 - 20	2.10"	0.609"	0.78"	1.32"	Zinc	Reliable
63324	1/2 - 20	2.13"	0.53"	0.90"	1.23"	Zinc	Tie Down 5 Lug Disc Brake
11134	1/2 - 20	2.38"	0.56"	0.62"	1.76"	Zinc	Tie-Down some Rotors 2009+
11139	1/2 - 20	2.41"	0.55"	0.97"	1.44"	Zinc	Tie-Down G4 disc & 6 and 8 lug
63322	1/2 - 20	2.50"	0.54"	0.75"	1.75"	Zinc	AL-KO/Hayes 12" Drum
107262	1/2 - 20	2.51"	0.54"	1.43"	1.08"	Plain	Dexter 12" Drum
11137	1/2 - 20	2.72"	0.56"	0.91"	1.81"	Zinc	Tie-Down G5 6 lug
107223	3/16 - 18	2.00"	0.68"	0.78"	1.22"	Zinc	Dexter 7.2K
63327	3/16 - 18	2.09"	0.61"	0.66"	1.43"	Zinc	Reliable & others
107132	3/16 - 18	2.30"	0.68"	1.05"	1.25"	Zinc	Dexter 5.2 - 7K, 8K
63328	3/16 - 18	2.44"	0.61"	1.08"	1.36"	Zinc	QRG
63326	3/16 - 18	2.80"	0.62"	1.20"	1.60"	Plain	AL-KO/Hayes
63330	5/8 - 18	2.28"	0.675"	0.87"	1.41"	Zinc	Reliable AG
107232	5/8 - 18	2.72"	0.68"	1.30"	1.42"	Plain	Dexter 6, 7, 8K
63331	5/8 - 18	2.75"	0.64"	0.80"	1.95"	Zinc	QRG 10K - 1 piece Hub/Drum
63329	5/8 - 18	2.80"	0.67"	0.85"	1.95"	Plain	AL-KO/Hayes 8K-12K Clipped Head
107115	5/8 - 18	3.15"	0.68"	1.35"	1.8"	Plain	Dexter 9 - 12K
63334	5/8 - 18	3.23"	0.64"	1.25"	1.98"	Plain	QRG 10K - 2 piece Hub/Drum
107102-1	3/4 - 16	2.38"	0.795"	1.12"	1.26"	Plain	Dexter 15K 10 Bolt RH
63335	3/4 - 16	3.00"	0.80"	1.45"	1.55"	Plain	AL-KO/Hayes 10 - 12K
63336	3/4 - 16	3.67"	0.80"	1.75"	1.92"	Plain	AL-KO/Hayes 16K



**63316**



- A** = Thread Size
- B** = Total Length (Not including head)
- C** = Spline Diameter
- D** = Shoulder Length (Under head to first thread)
- E** = Thread Length

Information

Hubs & Axles

Brake Assemblies

Suspensions & Fasteners

Tires & Wheels

Couplers, Jacks & Winches

Hitches & Towing Accessories

Body Components

Trailer Parts

Lights & Electrical

Locks & Cargo Control

Brake Actuating Systems

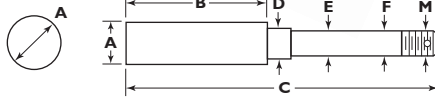
Switches

## Round Stub Spindles

Castle nuts, washers and tang locking washers (where applicable) are included. Cotter pins are not included.



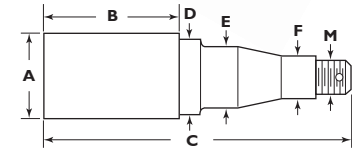
**98823**



**80073**



**98844**



Part #	Type	Bearing Size Inner (E)	Outer (F)	Seal Size (D)	Stub Size (AxB)	Thread Size (M)	Overall Length (C)	EZ Lube	Flanged
98813	BT	3/4"	3/4"	1.125"	1 1/8" x 3 1/2"	3/4"	7 7/8"		
98823	BT-8	1"	1"	1.250"	1 1/4" x 3 3/4"	1"	8 1/2"		
98833	BT-8	1"	1"	1.250"	1 1/2" x 3"	3/4"	7 7/8"		
98832	BT-8	1"	1"	1.250"	1 5/8" x 2 5/16"	3/4"	7 7/8"		
98824	BT-9/BT-16	1 1/16"	1 1/16"	1.500"	1 1/4" x 3 1/2"	1"	8 1/4"		
98824-EZ	BT-9/BT-16	1 1/16"	1 1/16"	1.500"	1 1/4" x 3 1/2"	1" D	8 1/4"	•	
98825	BT-9/BT-16	1 1/16"	1 1/16"	1.500"	1 1/2" x 3 1/2"	1"	8 1/4"		
98866	BT-9/BT-16	1 1/16"	1 1/16"	1.500"	1 7/16" x 4 1/8"	1"	8 1/4"		
98831	BT-9/BT-16	1 1/16"	1 1/16"	1.500"	1 5/16" x 3 1/2"	1"	8 1/4"		
98829	BT-9/BT-16	1 1/16"	1 1/16"	1.500"	1 3/16" x 3 1/2"	1" D	8 1/4"	•	
98834	BT-9/BT-16	1 1/16"	1 1/16"	1.500"	1 5/8" x 3 3/8"	1"	7 7/8"		
98848	BT-9/BT-16	1 1/16"	1 1/16"	1.500"	1 1/2" x 3 1/2"	1" D	8 1/4"	•	
98826	BT-12	1 1/16"	1 1/16"	1.250"	1 1/4" x 3 1/2"	1" D	8 1/4"	•	
98830	BT-Short*	1 1/16"	1 1/16"	1.500"	1 5/8" x 3 3/8"	1"	7 7/8"		
98843	84	1 3/8"	1 1/16"	1.719"	1 1/2" x 3 5/8"	1" D	7 7/8"	•	◇
98865	84	1 3/8"	1 1/16"	1.719"	1 7/16" x 4 1/4"	3/4"	8 1/2"		
80074	84	1 3/8"	1 1/16"	1.719"	1.460" x 2 3/8"	1"	7 1/4"	•	
98840	84	1 3/8"	1 1/16"	1.719"	1 1/2" x 3 5/8"	3/4"	8 1/2"		
98846	84	1 3/8"	1 1/16"	1.719"	1 1/2" x 3 3/8"	1" D	8 1/4"	•	
98847	84	1 3/8"	1 1/16"	1.719"	1 1/16" x 3 3/8"	1" D	8 1/4"	•	
80073	84	1 3/8"	1 1/16"	1.719"	1 1/16" x 1.5"	1" D	7 7/8"	•	◇
98845	84	1 3/8"	1 1/16"	1.719"	1 5/8" x 3 5/8"	3/4"	8 1/2"		
98844	84	1 3/8"	1 1/16"	1.719"	1 3/4" x 3 5/8"	3/4"	8 1/2"		
98849	84	1 3/8"	1 1/16"	1.719"	1 3/4" x 3 3/8"	1" D	8 1/4"	•	
98850	84	1 3/8"	1 1/16"	1.719"	2" x 6"	1" D	10 3/4"	•	
98852	42	1 3/4"	1 1/4"	2.250"	2" x 5 7/8"	1"	11"		
98851	42	1 3/4"	1 1/4"	2.250"	2" x 5 7/8"	1" D	11"	•	
98853	42	1 3/4"	1 1/4"	2.250"	2 1/4" x 5 7/8"	1"	11"		
98858	42	1 3/4"	1 1/4"	2.250"	2 1/2" x 2"	1" D	10"	•	Note
98859	42	1 3/4"	1 1/4"	2.250"	2 5/8" x 2"	1" D	10"	•	Note
** 98860	42	1 3/4"	1 1/4"	2.250"	1.46" x 4"	1" D	9"	•	◇

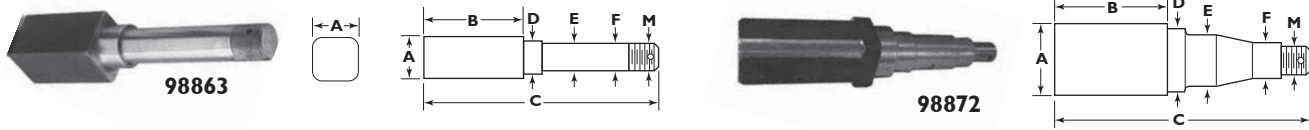
**NOTE:** \* 3-1/8" Rear bearing shoulder to cotter pin hole. Fits #4528 hub assembly.

\*\* Use spacer block #46489 when welding into 2 x 3 tubing.  
Uses #91151 brake flange - Sold separately (See page C30)



## Square Stub Spindles

Castle nuts, washers and tang locking washers (where applicable) are included. Cotter pins are not included.

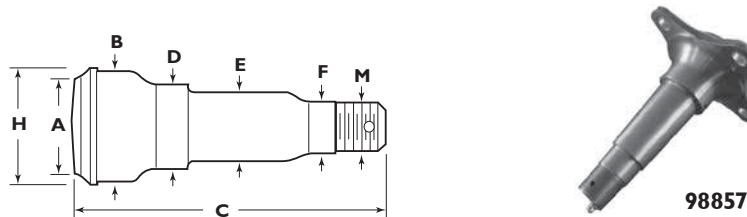


Part #	Type	Bearing Size Inner (E)	Bearing Size Outer (F)	Seal Size (D)	Stub Size (AxB)	Thread Size (M)	Overall Length (C)
98861	BT-8	1"	1"	1.250"	1¼" x 3⅜"	1"	8½"
98863	BT-8	1"	1"	1.250"	1½" x 3⅜"	1"	8½"
98864	BT-9/BT-16	1⅛"	1⅛"	1.500"	1½" x 3⅜"	1"	8½"
98870	84	1⅜"	1⅛"	1.719"	1½" x 3⅜"	1"	8½"
98872*	84	1⅜"	1⅛"	1.719"	1¾" x 4⅞"	¾"	9"

**NOTE:** \* Square stub is machined to fit into 2" ID round pipe or 1¾" inside square tubing.

## Hot Forged Spindles

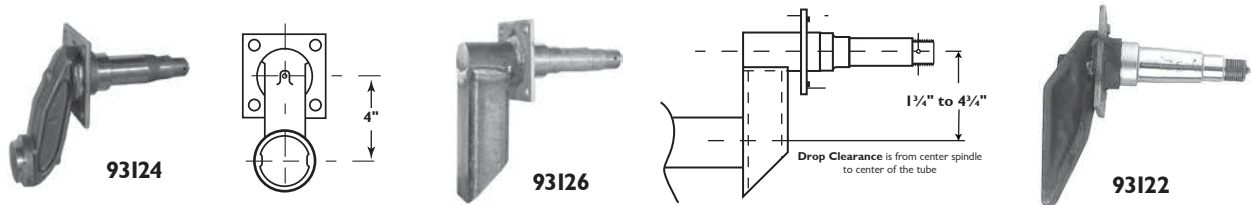
Castle nuts, washers and tang locking washers (where applicable) are included. Cotter pins are not included.



Part #	Type	Capacity	Unit Wt.	A	B	C	D	E	F	H	EZ Lube	Use Flanged #
98857	84	1,750 lbs	3.50 lbs	1.95"	2.26"	6.35"	1.72"	1.376"	1.062"	2.45"	•	Flanged
98854	42	3,500 lbs	9.00 lbs	2.45"	2.74"	8.25"	2.13"	1.749"	1.249"	3.00"		91151

**NOTE:** \* Forged spindles are machined for brake flanges; Sold separately.

## Drop Spindles



### Axle Placement

The 2" x 2" or 2" x 3" tube is welded to the flat surface of the leg of the spindle. This spindle allows you to achieve a drop from 1¼" to 4¾".



Part #	Type	Drop	Bearing Size Inner	Bearing Size Outer	Seal Size	Flange Holes	Notes
93124	84	4"	1⅜"	1⅛"	1.719"	4	Fits 23/8" OD round tubing for 3.5-3.7K axles
93126	84	1¾" to 4¾"	1⅜"	1⅛"	1.719"	4	EZ-Lube type. For 2x2 square or 2x3 tube for 3.5-3.7K axles
93122	84	1¾" to 4¾"	1⅜"	1⅛"	1.719"	4	Forged spindle. For 2x2 square or 2x3 tube
93128	42	4"	1¾"	1¼"	2.250"	5	Fits 3" OD round tubing for 5.2-7K axles

Information

Hubs  
& Axles

Brake  
Assemblies

Suspensions  
& Fasteners

Tires &  
Wheels

Couplers  
Jacks &  
Winches

Hitches &  
Towing  
Accessories

Body  
Components

Trailer Parts

Lights &  
Electrical

Locks &  
Cargo Control

Brake  
Actuating  
Systems

Switches

**TORSION AXLE SPINDLES**

Information

Hubs & Axles

Brake Assemblies

Suspensions & Fasteners

Tires & Wheels

Couplers Jacks & Winches

Hitches & Towing Accessories

Body Components

Trailer Parts

Lights & Electrical

Locks & Cargo Control

Brake Actuating Systems

Switches



171743



171744



93125



98839



86886



36266



36242



**Dexter Axle**



Part #	Type	Bearings	Note
171742	For #9 Torflex Axle	1 1/16" 1 1/16"	Sold individually. Retainer hardware included.
171743	For #10 Torflex Axle	1 3/8" 1 1/16"	
171744	For #11 Torflex Axle	1 3/4" 1 1/4"	
171745	For #12 Torflex Axle	1 3/4" 1 1/4"	

**Flexiride**

Part #	Type	Bearings	Note
93123	For 1400-2000# Flexiride	1 1/16" 1 1/16"	Sold individually. Retainer hardware NOT included. Retainer Hardware: Bolt#14059/Locknut #4120
93125	For 3500# Flexiride	1 3/8" 1 1/16"	Sold individually. Retainer hardware NOT included. Retainer Hardware: Bolt#18092/Locknut #18094
93127-2	For 5200-7000# Flexiride	1 3/4" 1 1/4"	Sold in pairs. Retainer hardware NOT included.

**Tie Down**



Part #	Type	Bearings	Note
80047	For 1000-2500# Eliminator Axles	1 1/16" 1 1/16"	Sold individually. Retainer Hardware included: Nut # 010665Z Washer # 010528Z Pin # 010560SS
98839	For 2600-3750# Eliminator Axles	1 3/8" 1 1/16"	
98873	For 4300-7000# Eliminator Axles	1 3/4" 1 1/4"	
86886	For 2600-3750# Eliminator Splined Axles	1 3/8" 1 1/16"	Sold in pairs. Retainer hardware included.

**UFP / Dexter Marine (Zinc Plated)**



Part #	Type	Bearings	Note
33214	For 3700# Axles	1 3/8" 1 1/16"	Sold individually. Retainer Hardware (NOT included): Bolt #33184/Nut #18094/Washer #33189
36266	For 4200# Axles	1 3/8" 1 3/8"	
36242	For 5200-7000# Axles	1 3/4" 1 1/4"	Sold individually. Retainer Hardware (NOT included): Bolt #33208/Nut #33209/Washer #33210

### Spindle Nuts

Part #	Description
4205	¾" - 16 x 1½" Hex, Castle Nut
4207	1¾" - 20 x 11/8" Hex Nut
4206	7/8" - 14 " Ag. Castle Nut
4210	1" - 14 x 17/16" Hex, Castle Nut. Standard 6 slots.
4211	1" - 14 x 17/16" Hex, Castle Nut. 12 slots.
4209	1" - 14 x 17/16" Hex Heavy Duty Ag. Castle Nut
106191	1" - 14 x 17/16" Hex Nut
90623	1½" - 12 x 2½" Hex, Castle Nut, Hayes 9 -16K
106096	1½" - 12 x 2¾" Hex, Jam Nut, Dexter GD
106084	1¾" - 12 x 2½" Hex, Jam Nut, Dexter 10 -15K



**4209**



**4210**



**4211**



**106191**

### Spindle Washers

Part #	Description
4280	¾" ID Washer
4292	¾" ID Heavy Duty Ag. Washer
4283	¾" ID Tongue Washer
4286	1¾" ID "D" Washer
4294	7/8" ID Heavy Duty Ag. Washer
4290	1" ID Washer
4291	1" ID Heavy Duty Ag. Washer
4296	1" ID "D" Washer
105057	1" ID Heavy Duty "D" Washer, Dexter 8K
105070	1½" Tongue Washer, Dexter GD
90525	1½" Washer, Hayes 9 -16K
105060	1¾" Tongue Washer, Dexter 10 -15K



**4280**



**4286**



**4296**



**105060**

### Tang Lock Washers and Retainers

Part #	Description
4270	Lock Shield for 1¾" Nut #4207
105101	1" ID - .030 Tang, Dexter EZ Lube
106190	Snap-over Nut Retainer for #106191 Nut
105071	1½" ID - .060 Tang, Dexter GD
105059	1¾" ID - .060 Tang, Dexter 10 -15K



**4270**



**105059**



**105101**



**106190**

Information

Hubs  
& Axles

Brake  
Assemblies

Suspensions  
& Fasteners

Tires &  
Wheels

Couplers  
Jacks &  
Winches

Hitches &  
Towing  
Accessories

Body  
Components

Trailer Parts

Lights &  
Electrical

Locks &  
Cargo Control

Brake  
Actuating  
Systems

Switches

Information

Hubs & Axles

Brake Assemblies

Suspensions & Fasteners

Tires & Wheels

Couplers  
Jacks &  
Winches

Hitches &  
Towing  
Accessories

Body  
Components

Trailer Parts

Lights &  
Electrical

Locks &  
Cargo Control

Brake  
Actuating  
Systems

Switches



4101

58876

### Spindle Collars

Part #	Description
4100	3/4" ID - 1 1/8" OD x 1 1/32" Long
4101	1" ID - 1 1/4" OD x 5/8" Long
58876	Wear Sleeve for 3.5K Axle - Stainless Steel, 1.68" ID - 1.72" OD
58878	Wear Sleeve for 5.2-7K Axle - Stainless Steel, 2.16" ID - 2.25" OD

**Note:** Wear sleeves are intended to replace worn or damaged wear sleeves on axles that already have wear sleeves. If the original seal surface is damaged, and the axle does **NOT** have a wear sleeve, use Spindle Seal Kits to cover the damaged area and create a new seal surface.



34407

### Cotter Pins

Part #	Description
34005	1/8" x 1 1/4" - Stainless Steel
34007	1/8" x 2" Each - Plain Finish
34007-10	1/8" x 2" Bag of Ten
34007-100	1/8" x 2" Bag of One Hundred
34009	0.148" x 1 1/2" HD - Plain Finish
34010	0.174" x 1 5/16" HD - Plain Finish
91903	1/4" x 2 1/2" Hayes 9 -16K - Plain Finish



4136

### Grease Fittings

Part #	Description
4136	3/16" Press In
4139	1/4" NPT, Screw In



14112

14113

### Spring Seats (for square tube)

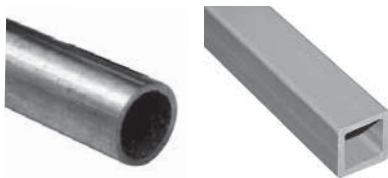
Part #	Description
14112	Square Axle Spring Seat
14113	Clamp-on Galvanized Spring Seat for 2" Wide Tube. No Welding required.



14238

### Spring Seats (for round tube)

Part #	Description
14134	1 3/4" OD Round Tube
14238	2 3/8" OD Round Tube
14300	3" OD Round Tube
14350	3 1/2" OD Round Tube
14500	5" OD Round Tube



93238

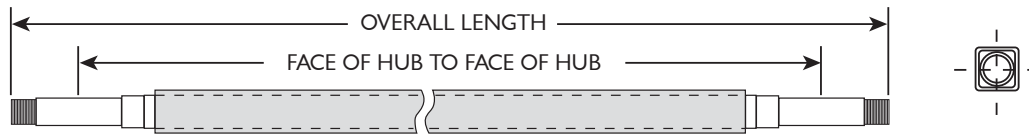
93201

"V-Bend"

### Cotter Pins

Part #	Description
93201	2" Square Galvanized Axle Tubing; 1/4" Wall; 96" Long
93207	2" Square Galvanized Axle Tubing; 1/4" Wall; 96" Long; V-Bend
93202	2" x 3" Galvanized Axle Tubing; 1/4" Wall; 96" Long
93203	2" x 3" Galvanized Axle Tubing; 1/4" Wall; 96" Long; V-Bend
93238	2 3/8" OD - 2" ID Round Pipe; 96" Long
93300	3" OD - 2 5/8" ID Round Tubing; 96" Long

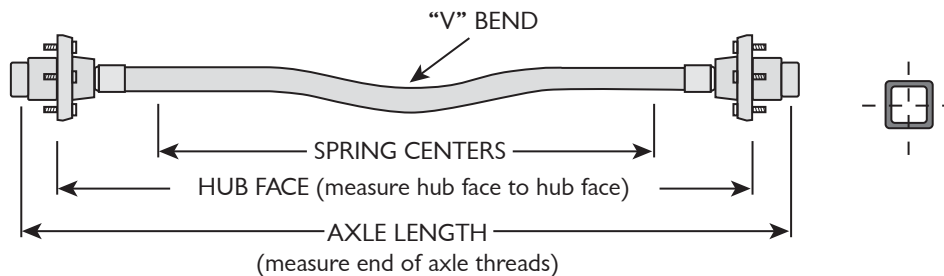
### 1½" Galvanized Square Tube - I200# Axles



Part #	Spindle Size		Overall Length	Hub Face
	Inner	Outer		
96054	1"	1"	54"	49"
96062	1"	1"	62"	57"
96064	1"	1"	64"	59"
96067	1"	1"	67"	62"

**Note:** Axles are NOT predrilled for spring centers.

### 2" Galvanized Square Tube - 3500# Axles (with "V" Bend and 5 Lug Idler Hubs Mounted)



Part #	Spindle Size		Axle Length	Hub Face	Spring Center
	Inner	Outer			
96521	1⅜"	1⅛"	88⅜"	83⅞"	71"
96523	1⅜"	1⅛"	89⅞"	85⅜"	71"
96524	1⅜"	1⅛"	90½"	86"	70"
96522	1⅜"	1⅛"	99"	94½"	78½"

Information

Hubs  
& Axles

Brake  
Assemblies

Suspensions  
& Fasteners

Tires &  
Wheels

Couplers  
Jacks &  
Winches

Hitches &  
Towing  
Accessories

Body  
Components

Trailer Parts

Lights &  
Electrical

Locks &  
Cargo Control

Brake  
Actuating  
Systems

Switches

**SECTION  
B**

Information

**Hubs  
& Axles**

Brake  
Assemblies

Suspensions  
& Fasteners

Tires &  
Wheels

Couplers  
Jacks &  
Winches

Hitches &  
Towing  
Accessories

Body  
Components

Trailer Parts

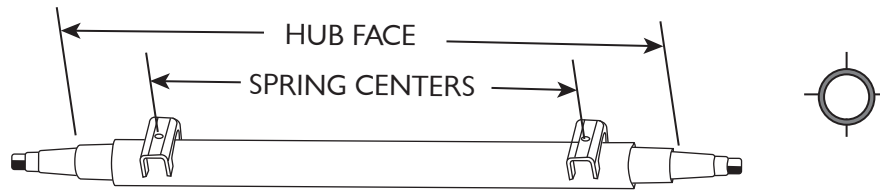
Lights &  
Electrical

Locks &  
Cargo Control

Brake  
Actuating  
Systems

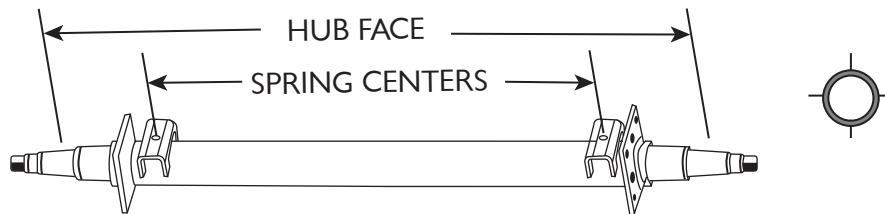
Switches

**1 3/4" Round Tube 2,000# Axle BT-9 Spindle**



Part #	Spindle Size		Over-All Length	Hub Face	Spring Center
	Inner	Outer			
96463	1 1/16"	1 1/16"	63"	58"	-
96467	1 1/16"	1 1/16"	67"	62"	-
96478	1 1/16"	1 1/16"	78"	73"	-
96494	1 1/16"	1 1/16"	94"	89"	-

**2 3/8" Round Tube 3,500# Axle #84 Spindle - 4 Bolt Flange**



Part #	Spindle Size		Over-All Length	Hub Face	Spring Center
	Inner	Outer			
96576	1 3/8"	1 1/16"	75 1/2"	71"	-
35S7358	1 3/8"	1 1/16"	77 1/2"	73"	58"
96579	1 3/8"	1 1/16"	78 1/2"	74"	-
96581	1 3/8"	1 1/16"	80 1/2"	76"	-
96584	1 3/8"	1 1/16"	83 1/2"	79"	-
96587	1 3/8"	1 1/16"	86 1/2"	82"	-
96589	1 3/8"	1 1/16"	88 1/2"	84"	-
96590	1 3/8"	1 1/16"	89 1/2"	85"	-
35S8570	1 3/8"	1 1/16"	89 1/2"	85"	70
96592	1 3/8"	1 1/16"	91 1/2"	87"	-
96594	1 3/8"	1 1/16"	93 1/2"	89"	-
35S8974	1 3/8"	1 1/16"	93 1/2"	89"	74
96595	1 3/8"	1 1/16"	94 1/2"	90"	-
96597	1 3/8"	1 1/16"	96 1/2"	92"	-
96599	1 3/8"	1 1/16"	98 1/2"	94"	-
35S9580	1 3/8"	1 1/16"	99 1/2"	95"	80"
96501	1 3/8"	1 1/16"	100 1/2"	96"	-

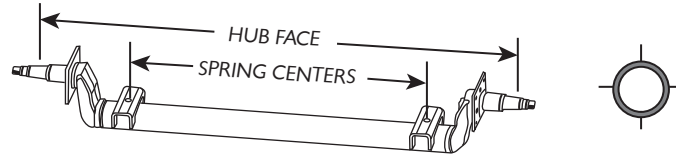
**2 3/8" Round Tube 3,500# Axle Assemblies**

Part #	Hub Face	Spring Centers	Assembly Type	Spindle	Bolt Pattern
35S7358E545	73"	58"	Electric Brakes	Straight	5 on 4 1/2
35S7358I545	73"	58"	Idler Hubs	Straight	5 on 4 1/2
35S8772I550	87"	72"	Idler Hubs	Straight	5 on 5
35S8974E545	89"	74"	Electric Brakes	Straight	5 on 4 1/2
35S8974I545	89"	74"	Idler Hubs	Straight	5 on 4 1/2
35S9580E545	95"	80"	Electric Brakes	Straight	5 on 4 1/2
35S9580I545	95"	80"	Idler Hubs	Straight	5 on 4 1/2
35D8974I545EZ	89"	74"	Idler EZ Lube	4" Drop	5 on 4 1/2

Information  
Hubs & Axles  
Brake Assemblies  
Suspensions & Fasteners  
Tires & Wheels  
Couplers, Jacks & Winches  
Hitches & Towing Accessories  
Body Components  
Trailer Parts  
Lights & Electrical  
Locks & Cargo Control  
Brake Actuating Systems  
Switches

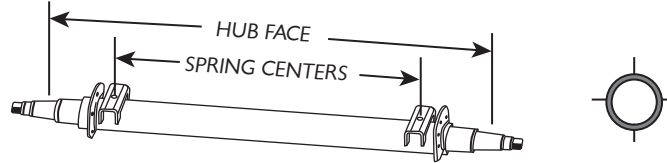
**SECTION  
B**

**2 3/8" Round Tube 4" Drop 3,500# Axle #84 Spindle - 4 Bolt Flange**



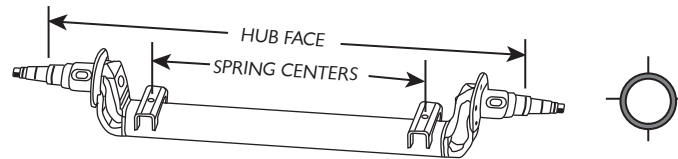
Part #	Spindle Size		Over-All Length	Hub Face	Spring Center
	Inner	Outer			
96676	1 3/8"	1 1/16"	75 1/2"	71"	-
96681	1 3/8"	1 1/16"	80 1/2"	76"	-
96684	1 3/8"	1 1/16"	83 1/2"	79"	-
96689	1 3/8"	1 1/16"	88 1/2"	84"	-
96692	1 3/8"	1 1/16"	91 1/2"	87"	-
96694	1 3/8"	1 1/16"	93 1/2"	89"	-
96695	1 3/8"	1 1/16"	94 1/2"	90"	-
96697	1 3/8"	1 1/16"	96 1/2"	92"	-
96699	1 3/8"	1 1/16"	98 1/2"	94"	-
96601	1 3/8"	1 1/16"	100 1/2"	96"	-

**3" Round Tube 5,200 - 7,000# Axle #42 Spindle - 5 Bolt Flange**



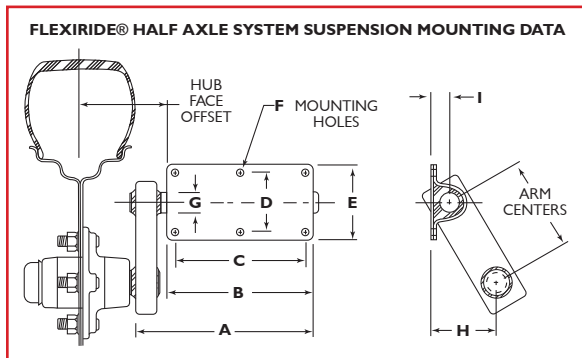
Part #	Spindle Size		Capacity	Over-All Length	Hub Face	Spring Center
	Inner	Outer				
96777	1 3/4"	1 1/4"	6,000	77"	71"	-
52S7358	1 3/4"	1 1/4"	5,200	79"	73"	58"
70S7358	1 3/4"	1 1/4"	7,000	79"	73"	58"
96781	1 3/4"	1 1/4"	6,000	81"	75"	-
96786	1 3/4"	1 1/4"	6,000	86"	80"	-
96789	1 3/4"	1 1/4"	6,000	89"	83"	-
60S8570	1 3/4"	1 1/4"	6,000	91"	85"	70"
70S8570	1 3/4"	1 1/4"	7,000	91"	85"	70"
96793	1 3/4"	1 1/4"	6,000	93"	87"	-
96795	1 3/4"	1 1/4"	6,000	95"	89"	-
70S8974	1 3/4"	1 1/4"	7,000	95"	89"	74"
96797	1 3/4"	1 1/4"	6,000	97"	91"	-
96701	1 3/4"	1 1/4"	6,000	101"	95"	-
60S9580	1 3/4"	1 1/4"	6,000	101"	95"	80"
70S9580	1 3/4"	1 1/4"	7,000	101"	95"	80"

**3" Round Tube 4" Drop 6,000# Axle #42 Spindle - 5 Bolt Flange**



Part #	Spindle Size		Over-All Length	Hub Face	Spring Center
	Inner	Outer			
96881	1 3/4"	1 1/4"	81"	75"	-
96893	1 3/4"	1 1/4"	93"	87"	-
96895	1 3/4"	1 1/4"	95"	89"	-
96897	1 3/4"	1 1/4"	97"	91"	-
96801	1 3/4"	1 1/4"	101"	95"	-

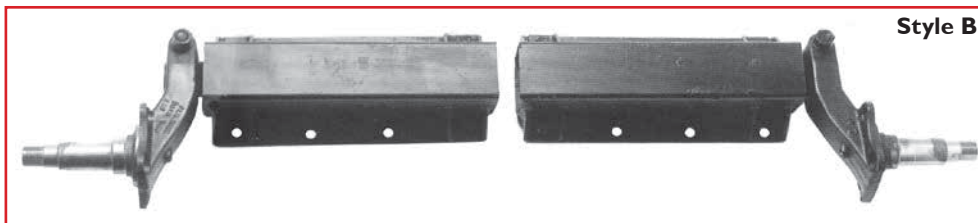
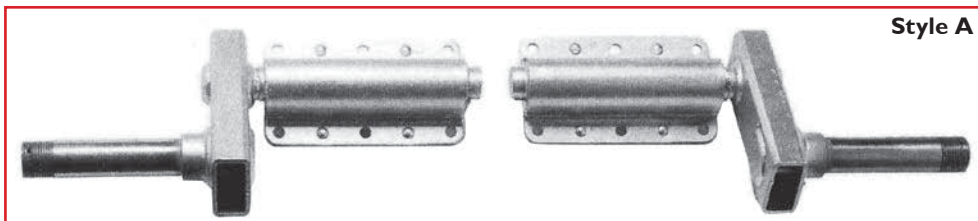




**Flexiride Units**

Allows independent suspension for each wheel. The suspension is a rubber in Torsion System. This means the rubber elastomer is working in shear. The unit is a fully bonded solid rubber unit, i.e. It is effectively water resistant.

Suspension units are offered in pairs with the capacities ranging from 550 lbs to 3,500 lbs per pair, and are sold without hubs.



**Flexiride Suspension Units**

Item	Part #				
	96100	96103	96105	96107	96110
Style	A	A	B	B	B
Capacity/Pair	550 lbs	935 lbs	1,400 lbs	2,000 lbs	3,500 lbs
Hub Face Offset	4.25	4.25	5.88	5.88	6.06
A	8.75	8.75	11.19	13.00	16.44
B	7.0	7.0	9.13	9.13	13.63
C	6.250	6.250	7.625	7.625	11.625
D	2.875	2.875	3.375	3.375	4.500
E	3.63	3.63	4.41	4.41	5.63
F (See Note 1)	6 for 5/16 - 24	6 for 5/16 - 24	6 for 3/8 - 24	6 for 3/8 - 24	8 for 1/2 - 20
G	1.00	1.00	1.50	1.50	1.75
H (See Note 2)	3.125	2.625	3.50*	3.50*	3.91*
I	0.875	0.875	1.81	1.81	2.22
Arm Centers	4.50	3.50	4.50	4.50	4.50
Outer Bearing	44643	44643	44649	44649	44649
Inner Bearing	44643	44643	44649	44649	68149
Replacement Spindle #	-	-	93123	93123	93125
Base Plate**	96097	96097	96098	96098	96099

**Note 1:** All bolts and nuts grade 5 minimum. (Not Included)

**Note 2:** Nominal height calculated at zero load

\* Adjustable Arm - Starting angle must be within +10 and - 45 from the horizontal load

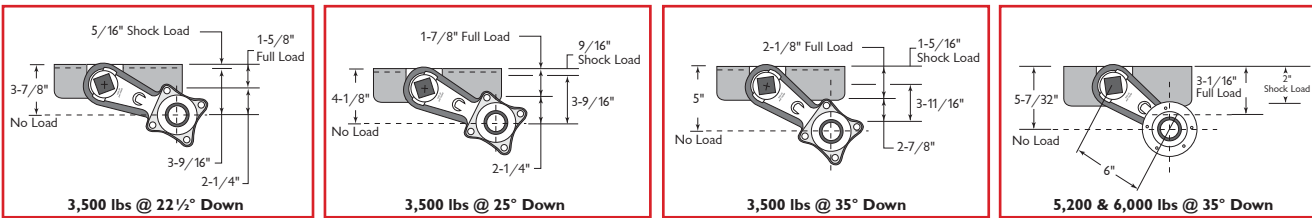
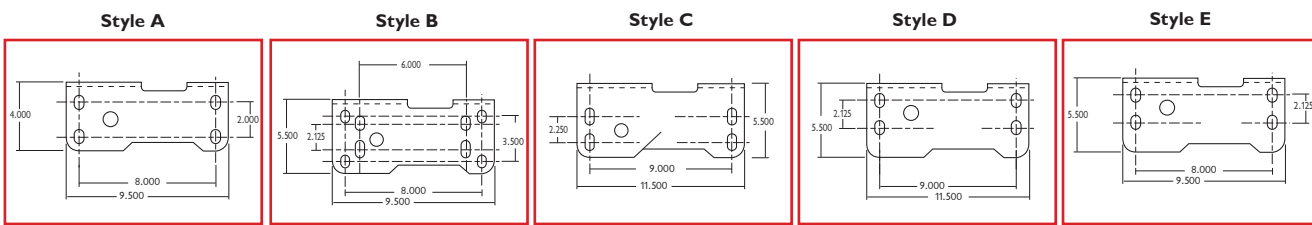
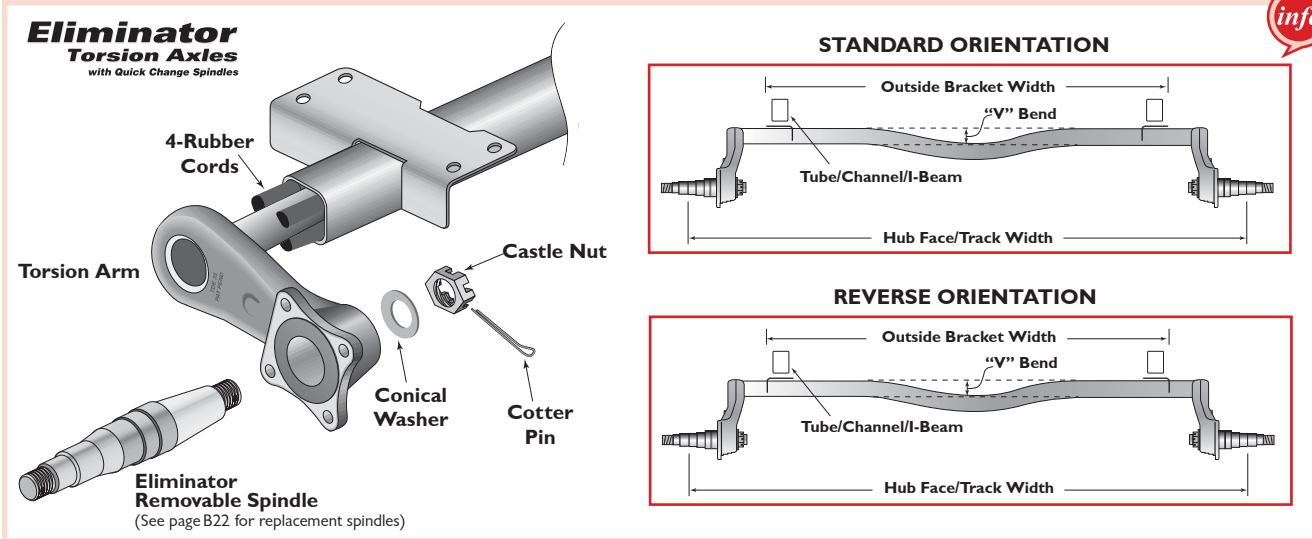
\*\* Base Plates are sold individually - Order 2 per pair

Information  
Hubs & Axles  
Brake Assemblies  
Suspensions & Fasteners  
Tires & Wheels  
Couplers, Jacks & Winches  
Hitches & Towing Accessories  
Body Components  
Trailer Parts  
Lights & Electrical  
Locks & Cargo Control  
Brake Actuating Systems  
Switches



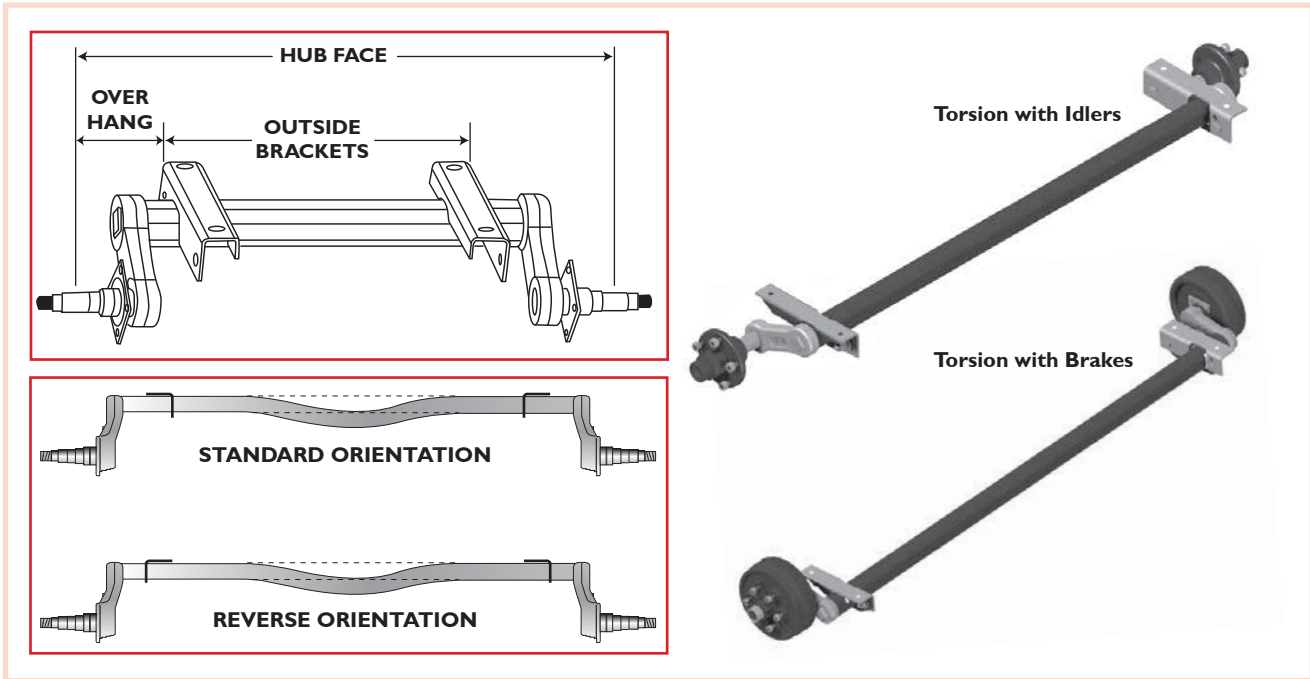
**Eliminator Torsion Axles with Quick Change Spindles**  
(Hot Galvanized)

*info*



Part #	Capacity	Spindle Size Inner	Spindle Size Outer	Hub Face	Bracket Style	Bracket Orientation	Outside of Mounting Bracket	Start Angle	V-Bend
96120	3,500 lbs	1 3/8"	1 1/8"	71"	A	R	54"	22 1/2° Down	None
96121	3,500 lbs	1 3/8"	1 1/8"	73"	A	R	56"	22 1/2° Down	None
96122	3,500 lbs	1 3/8"	1 1/8"	77"	A	R	60"	22 1/2° Down	None
96123	3,500 lbs	1 3/8"	1 1/8"	83"	A	R	66"	22 1/2° Down	3"
96124	3,500 lbs	1 3/8"	1 1/8"	85"	A	R	67"	22 1/2° Down	3"
96125	3,500 lbs	1 3/8"	1 1/8"	89"	A	R	72"	22 1/2° Down	3"
96126	3,500 lbs	1 3/8"	1 1/8"	95"	A	R	78"	22 1/2° Down	3"
96131	3,500 lbs	1 3/8"	1 1/8"	86"	B	S	74"	25° Down	3"
96141	3,500 lbs	1 3/8"	1 1/8"	93"	E	R	80"	35° Down	3"
96139	3,500 lbs	1 3/8"	1 1/8"	94"	B	S	82"	25° Down	3"
96140	6,000 lbs	1 3/4"	1 1/4"	87"	D	R	72"	35° Down	3"
96133	6,000 lbs	1 3/4"	1 1/4"	94"	C	S	80"	35° Down	3"

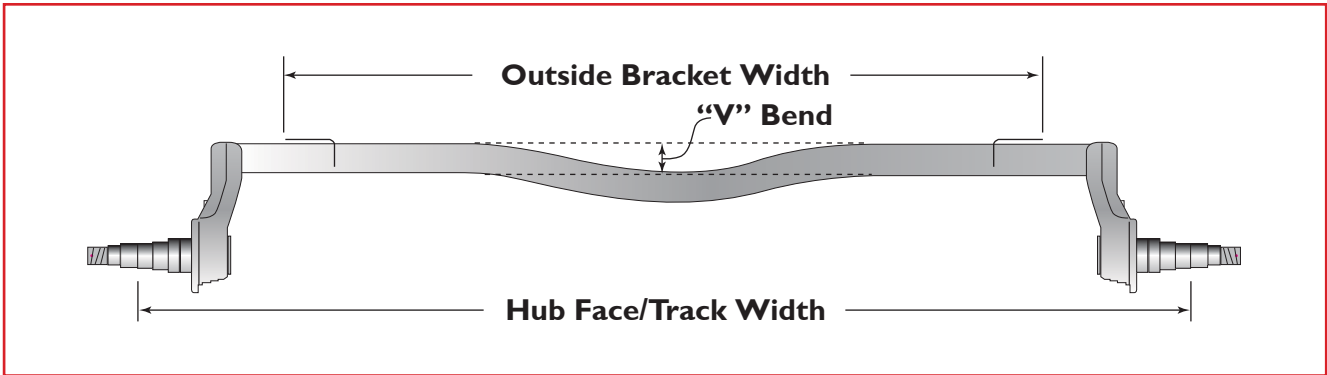
**NOTE:** Special Order 600 lbs To 10,000 lbs Capacity Available On Request - See Section A



### Painted Torsion Assemblies

Part #	Hub Face	Outside Bracket	Bracket Orientation	Start Angle	Capacity	Finish	Brake Type	Bolt Pattern	Grease Type
35T85700UI545R	85	70	Reverse	0 degree	3500 lbs	Black	Idler	5-4.5	Zirc in spindle
35T85700UE545R	85	70	Reverse	0 degree	3500 lbs	Black	Electric	5-4.5	Zirc in spindle
35T95800UI545	95	80	Standard	0 degree	3500 lbs	Black	Idler	5-4.5	Zirc in spindle
35T95800UI545R	95	80	Reverse	0 degree	3500 lbs	Black	Idler	5-4.5	Zirc in spindle
35T95800UE545R	95	80	Reverse	0 degree	3500 lbs	Black	Electric	5-4.5	Zirc in spindle
52T85700UE655	85	70	Standard	0 degree	5200 lbs	Black	Electric	6-5.5	Zirc in spindle
52T85700UE655R	85	70	Reverse	0 degree	5200 lbs	Black	Electric	6-5.5	Zirc in spindle
52T87700UE655R	87	70	Reverse	0 degree	5200 lbs	Black	Electric	6-5.5	Zirc in spindle
52T95800UE655R	95	80	Reverse	0 degree	5200 lbs	Black	Electric	6-5.5	Zirc in spindle
60T85700UE865R	85	70	Reverse	0 degree	6000 lbs	Black	Electric	8-6.5	Zirc in spindle
60T95800UE865R	95	80	Reverse	0 degree	6000 lbs	Black	Electric	8-6.5	Zirc in spindle

**Note:** See Side Mount Brackets on Next Page



**Galvanized Torsion Assemblies**

Part #	Hub Face	Outside Bracket	Bracket Orientation	Start Angle	Capacity	Finish	Hubs	Tube Shape	Grease Type
35TG695622DI5	69	56	Standard	22.0 down	3500 lbs	Galvanized	5-4.5 Idler	Straight	Zirc in spindle
35TG736022DI5	73	60	Standard	22.0 down	3500 lbs	Galvanized	5-4.5 Idler	Straight	Zirc in spindle
35TG816822DI5	81	68	Standard	22.0 down	3500 lbs	Galvanized	5-4.5 Idler	Straight	Zirc in spindle
35TG847025DV	84	70	Standard	25.0 down	3500 lbs	Galvanized	None	V-Bend	Zirc in spindle
35TG857222DI5	85	72	Standard	22.0 down	3500 lbs	Galvanized	5-4.5 Idler	Straight	Zirc in spindle
35TG867225DV	86	72	Standard	25.0 down	3500 lbs	Galvanized	None	V-Bend	Zirc in spindle
35TG867225DVI5	86	72	Standard	25.0 down	3500 lbs	Galvanized	5-4.5 Idler	V-Bend	Zirc in spindle
35TG938022DI5	93	80	Standard	22.0 down	3500 lbs	Galvanized	5-4.5 Idler	Straight	Zirc in spindle
35TG938032DVI5	93	80	Standard	32.0 down	3500 lbs	Galvanized	5-4.5 Idler	V-Bend	Zirc in spindle
52TG958000DI6	95	80	Standard	22.0 down	5200 lbs	Galvanized	6-5.5 Idler	Straight	Zirc in spindle
60TG877222DV	87	72	Standard	22.0 down	6000 lbs	Galvanized	None	V-Bend	Zirc in spindle
60TG877222DVI6	87	72	Standard	22.0 down	6000 lbs	Galvanized	6-5.5 Idler	V-Bend	Zirc in spindle
60TG958032DV	95	80	Standard	32.0 down	6000 lbs	Galvanized	None	V-Bend	Zirc in spindle
70TG958032DV	95	80	Standard	32.0 down	7000 lbs	Galvanized	None	V-Bend	Zirc in spindle

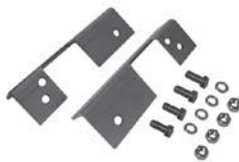
**Weld-On Side Mount Bracket Kits**



Part #	Description
100166	Side Mount Bracket Kit 3.5K for up to 2½" sq. Tubing Mfg# AP-166



Part #	Description
100167	Side Mount Bracket Kit 5.2 - 6K For 3" sq. Tubing Mfg#AP-167



Part #	Description
100168	Side Mount Bracket Kit 7K For 3.5" sq. Tubing Mfg#AP-168



**Top Mount Torsion Fastener Kit**

Part #	Description
100148	Contains: ⅝" bolts, nuts & flat washers to mount one torsion axle



### Heavy Duty Axle Assemblies

Axles with Hubs, Drums, Brakes, Wheel Nuts, Springs & U-bolts mounted.

Tires, Wheels and Hanger Kits are **NOT** included.

(See pages A20 and A21 for more information)

Part #	Manufacturer	Capacity	Track	Hub Face	Spring Center	Brake	Bolt Pattern	Pilot
96984		10,000 HD	74"	73.5"	46"	Electric	8 on 6.5"	4.88"
96996-7042		12,000	70"	69.5"	42"	Electric	8 on 6.5"	4.88"
97001-7042		16,000	70"	69.5"	42"	Electric	10 on 8.75"	6.5"

### Heavy Duty Running Gear Assemblies

Includes 2 Axle Assemblies with Hubs, Drums, Brakes, Wheel Nuts, Springs, U-bolts Mounted and Tandem Axle Spring Suspension Hanger Kits. Tires and Wheels are **NOT** included.

Part #	Manufacturer	Capacity	Track	Hub Face	Spring Center	Brake	Bolt Pattern	Pilot
96984-2K		10,000 HD	74"	73.5"	46"	Electric	8 on 6.5"	4.88"
96996-7042-2K		12,000	70"	69.5"	42"	Electric	8 on 6.5"	4.88"
97001-7042-2K		16,000	70"	69.5"	42"	Electric	10 on 8.75"	6.5"

**Note:** Standard AL-KO 10,000 and 12,000 lbs axles use swivel flange nuts and flat face wheels part #10497

Axis axle uses a 4.75" pilot, flat face wheel, part #10587 or 10588 (same as standard Dexter)

AL-KO 16,000 lbs axle uses a swivel flange nut and 17.5" dual wheels, part #10590



Dexter Axle Assemblies Are Available By Special Order

Information

Hubs  
& AxlesBrake  
AssembliesSuspensions  
& FastenersTires &  
WheelsCouplers  
Jacks &  
WinchesHitches &  
Towing  
AccessoriesBody  
Components

Trailer Parts

Lights &  
ElectricalLocks &  
Cargo ControlBrake  
Actuating  
Systems

Switches

**LubriMatic®**



211100

**Midget Grease Gun**  
(With 3 oz. Tube of Marine Grease)

Part #	Description
211100	Small, versatile gun allows user to let pipe come out of front or top. Barrel takes 3 oz. grease cartridge or can be bulk loaded. Zinc plated gun, can be bulk or cartridge loaded.



211150

**Lever Action Grease Gun**

Part #	Description
211150	Has electrostatic finish, 2½" ID barrel takes 14 oz. grease cartridge or can be bulk loaded. Full stroke lever action displaces ample grease with optimum pressure. Electrostatic finish bulk or 14 oz. cartridge loaded.



211404

211402

**Marine Trailer Bearing Grease**

Part #	Size	Description
211399	2 - 3 oz. cartridges	Special water-insoluble formula ideal for marine applications, provides excellent corrosion protection against severe operating conditions caused by salt water, salt air and atmospheric chemicals use on wheel bearings. Including disc brake wheel bearings, and to protect swivel hinges, pins, winches and anchor chain reels from corrosion.
211402	14 oz. cartridges	
211404	16 oz. can	
211407	35 lbs. pail	
211408	120 lbs. drum	



188013

**Vault Hybrid Oil**

Part #	Description
188013	14 oz. cartridge. Hybrid Oil is a proprietary blend of lubricant especially formulated for UFP. At ambient temperatures this lubricant is thick with the viscosity approaching grease. As bearing temperatures rise during towing, the lubricant is thermally activated, thinning out and replenishing the bearings, reducing friction and dissipating heat. For use with VAULT Trailer Buddy Axles.

**Flexible Hose**



211825A

Part #	Description
211825	Rubber/Wire Braids; SAE 100 RI @ 3,000 PSI 12,000 Burst Pressure ½" NPT Heavy Duty 12" flex hose. For lubrication in hard to reach places. Fits all hand operated grease guns.



211842

202775

**Bearing Packer**

Part #	Description
211842	For packing wheel and other bearings prior to installation
202775	Self-contained bearing packer. No air line or grease gun required. Transparent, impact resistant cup. Use on all cage-type roller & ball bearings up to 2" bore.

### 10 Pcs Bearing Race & Seal Driver

Part #	Description
BRSD	Helps reduce damage to both race & axle housing; Collars fit most standard wheel bearing sizes; Set contains 9 sizes: 1.565", 1.750", 1.965", 2.325", 2.555", 2.470", 2.830", 2.995", 3.180"



### Bolt Circle Template

Part #	Description
8021392	Used to measure SAE 5 lug bolt patterns on hubs and wheels. Made of hi-impact ABS plastic.



### Torque Wrench

Part #	Description
MTW12	1/2" Drive - 10-150 lbs. Nickel-Chrome Plated Alloy Steel. Precision Torque Mechanism clicks to signal release. No pointer or dial to monitor.



### Lug Nut Wrench

Part #	Description
20557	Heat treated and chrome plated for strength and durability. Fits 3/4", 13/16", 7/8", 19mm.



### Circuit Tester

Part #	Description
18027	Complete with heavy duty insulated alligator clip and 4 1/2-foot ground wire. Ideal for cars, trucks, SUV's, motorcycles, RV's and small engines.



Information

Hubs  
& Axles

Brake  
Assemblies

Suspensions  
& Fasteners

Tires &  
Wheels

Couplers  
Jacks &  
Winches

Hitches &  
Towing  
Accessories

Body  
Components

Trailer Parts

Lights &  
Electrical

Locks &  
Cargo Control

Brake  
Actuating  
Systems

Switches