

Hustler® Parts Manual



HUSTLER®
TURF EQUIPMENT

200 South Ridge Road

Hesston, Kansas

67062



NOTICE OF REQUIREMENT OF SPARK ARRESTER MUFFLER

This equipment may create sparks that can start fires around dry vegetation. California Public Resources Code Section 4442.6 provides that it is unlawful to use or operate an internal combustion engine on any forest-covered, brush-covered, or grass-covered land unless the engine is equipped with a spark arrester maintained in effective working order. A spark arrester is a device constructed of nonflammable materials specifically for the purpose of removing and retaining carbon and other flammable particles over 0.0232 of an inch in size from the exhaust flow of an internal combustion engine that uses hydrocarbon fuels or which is qualified and rated by the United States Forest Service. Other states or federal areas may have similar laws. The Operator Should Contact Local Fire Agencies For Laws or Regulations Relating to Fire Prevention Requirements. **THIS EQUIPMENT DOES NOT HAVE A SPARK ARRESTER AND YOU SHOULD CONTACT YOUR AUTHORIZED DEALER FOR THE PURCHASE OF A SPARK ARRESTER.**

Inspect spark arrester daily; replace every 500 hours or as needed.

The Engine Owner's Manual provides information regarding the U.S. Environmental Protection Agency (EPA) and the California Emission Control Regulation of emission systems, maintenance and warranty.

Keep Engine Owner's Manual with your unit. Should the Engine Owner's Manual become damaged or illegible, replace immediately. Replacements may be ordered per the information found in the Product Information section of the owner's manual.

Federal law and California State law prohibit the following acts or the causing thereof:

1. The removal or rendering inoperative by any person other than for purposes of maintenance, repair, replacement, of any device or element of design incorporated into any equipment for the purposes of emissions control prior to or after its sales or delivery to the ultimate purchaser or while it is in use, or
2. The use of the equipment after such device or element of design has been removed or rendered inoperative by any person.

General Information	1
Frame & Engine Guard	
Frame	3-1
Engine Guard	3-2
Transmissions, Drive Belt, Deck Lift Controls, Steering & Brake	
Drive System, Transmissions & Drive Belt	4-1
Transmission Service Parts - 604708	4-2
Transmission Service Parts - 604709	4-3
Steering, Brake & Deck Lift Controls (Multi-Page)	4-4
Steering & Deck Lift Controls Sub-Assembly	4-5
Wheels & Tires	
Wheels & Tires	5-1
Front Wheel Assembly Breakdown - S/N 19010000 & Higher	5-2
Front Wheel Assembly Breakdown - Prior to S/N 19010000	5-3
Drive Wheel Breakdown	5-4
Engine, Clutch & Fuel System	
Engine, Muffler & Clutch (Multi-Page)	6-1
Engine Service Parts	6-2
Fuel System	6-3
Instrument Panel, Wire Harness & Battery	
Instrument Panel, Wire Harness & Fenders (Multi-Page)	7-1
Battery	7-2
Deck, Deck Belt, Blades, Deck Carrier, Footrest & Floor Pan	
Service Deck	8-1
48" Rear Discharge Deck Belt, Pulleys & Spindles	8-2
Spindle Service Parts - 601804	8-3
48" Rear Discharge Deck Blades, Covers	8-4
Rear Discharge Deck Shield	8-5
Deck Carrier (Multi-Page)	8-6
Seat	
Seat - S/N 19090579 & Higher	9-1
Seat Service Parts - 607347	9-2
Seat - S/N Prior to 19090579	9-3
606077 Seat Service Parts	9-4

General Information

Note: When ordering parts, you must use the part number as shown for each part, not the index number. Always give the model and serial number to your parts and service representative.

Note: Items sold in bulk such as seals and hoses are sold by the foot.

Using This Manual

This manual is part of a service package for the Hustler® mowers. Use of this manual in conjunction with other Hustler® mower and component manuals will provide the information necessary to service and maintain Hustler® mowers.

This Parts Manual provides a complete parts listing for the unit. Use this manual when ordering parts. Illustrations used were current at the time of printing, but subsequent production changes may cause your machine to vary slightly in detail. Excel Industries, Inc. reserves the right to redesign and change the machine as deemed necessary, without notification. If a change has been made to your machine which is not reflected in this parts manual, see your authorized dealer for current information and parts.

The Service Manual is a service guide for use by Service Technicians. It provides the necessary information needed to perform normal maintenance requirements on these units.

The Operator's Manual provides fundamental operational information and operational safety that is needed when operating the mower.

The component manuals are furnished by the various manufacturers to be used for the troubleshooting and servicing of their products.

Hardware Description Codes & Abbreviations

The following codes are used throughout this parts manual. Refer to this list when ordering parts.

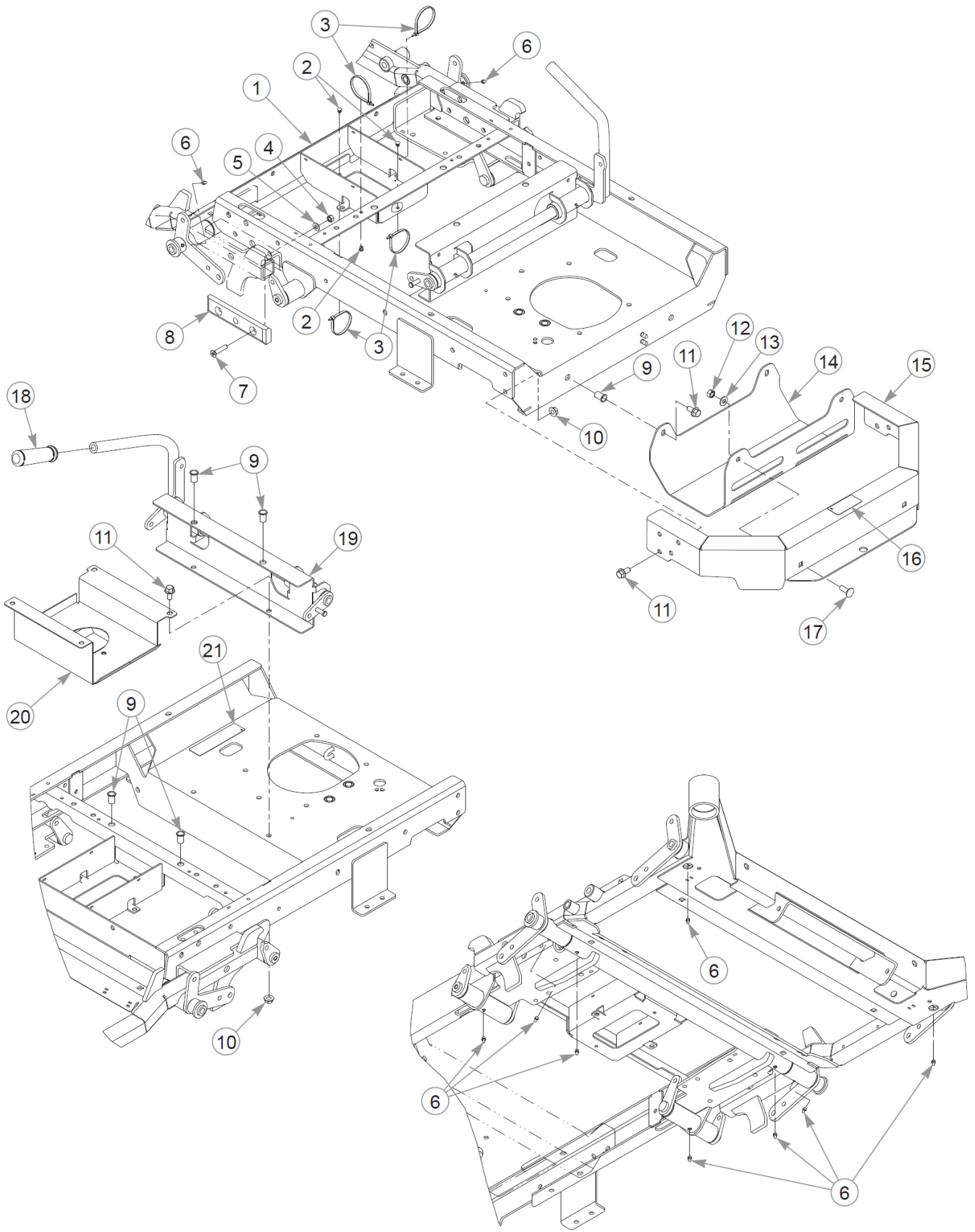
ABBREVIATION	DESCRIPTION	ABBREVIATION	DESCRIPTION
CB	CARRIAGE BOLT	MB	MACHINE BUSHING
CE	CLEVIS PIN	MS	MACHINE SCREW
CN	CLIP NUT	NT	NUT
CP	COTTER PIN	SC	SELF TAPPING CAP SCREW
CS	CAP SCREW	SH	SOCKET HEAD
CW	CUP WASHER	SB	SHOULDER BOLT
FDRW	FENDER WASHER	SS	SET SCREW
FW	FLAT WASHER	OD	OUTSIDE DIAMETER
HX	HEX HEAD	ID	INSIDE DIAMETER
LW	LOCK WASHER	WN	WELD NUT

Standard Torques

The following chart lists the standard torque values for the threaded fasteners found in this manual. Torque all cap screws, nuts and set screws to these values unless a different torque is shown in the Notes section next to the fastener.

SIZE	FT-LBS	N•M	SIZE	FT-LBS	N•M
.250	8.2	11.1	M3	1	1.3
.312	17	23	M4	2.2	3
.375	30	40	M5	4.5	6.1
.438	48	65	M6	7.7	10.4
.500	73	99	M8	18.5	25
.562	105	143	M10	37	50
.625	145	200	M12	64	87
.750	260	350	M14	80	108.5
.875	420	565	M16	160	215
1.00	625	850	M20	320	435
			M24	555	750

Pagina lasciata volutamente in bianco

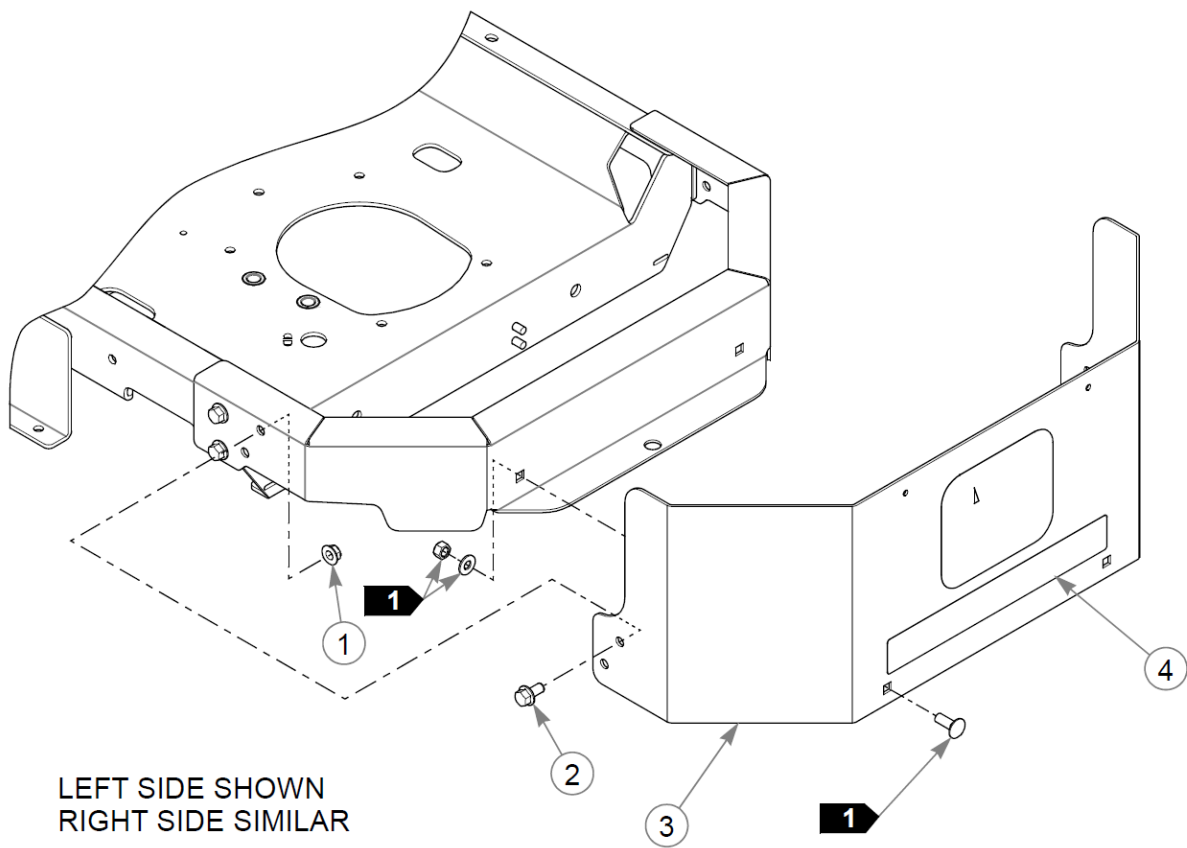


Frame

Elemento	Parte n.	Q.ta	Nome
1	552930	1	SVC, FRAME RFU
2	604307	3	MOUNT, PUSH BUTTON
3	000331	4	WIRE TIE, SMALL/SHORT
4	034272	4	NT .312-18HXG5
5	768523	4	FW 0.343SAE
6	015495	10	GREASE FITTING STRAIGHT
7	797910	4	CS .312-18x1.50FLT SH ZY
8	604888	2	GUIDE BLOCK, CARRIER
9	808493	6	RIVET NUT, 3/8-16 THREA
10	016899	6	NT .375-16 FLKG5
11	029629	8	CS .375-16X0.75 HXF G5ZY
12	054502	2	NT .375-16HXG5
13	767954	2	FW 0.379X.82X.06 HD ZY
14	121430	1	MUFFLER SHIELD
15	552922	1	SVC, BUMPER RFU
16	602041	1	DECAL, HOT
17	025395	2	CB .375-16X 1.00 G5 ZNY
18	605299	1	HAND GRIP, 7/8 I.D.
19	120370	1	W/A, FRAME LATCH
20	121108	1	SUPPORT, FUEL TANK W/A
21	605650	1	DECAL, TIP OVER DANGER
Not Shown	605547	1	WIRE HARNESS
Not Shown	602725	1	WIRE TIE,

Comments for Page: Frame

1. The frame includes the decal (605650).
2. The bumper (552922) includes the decal (602041).



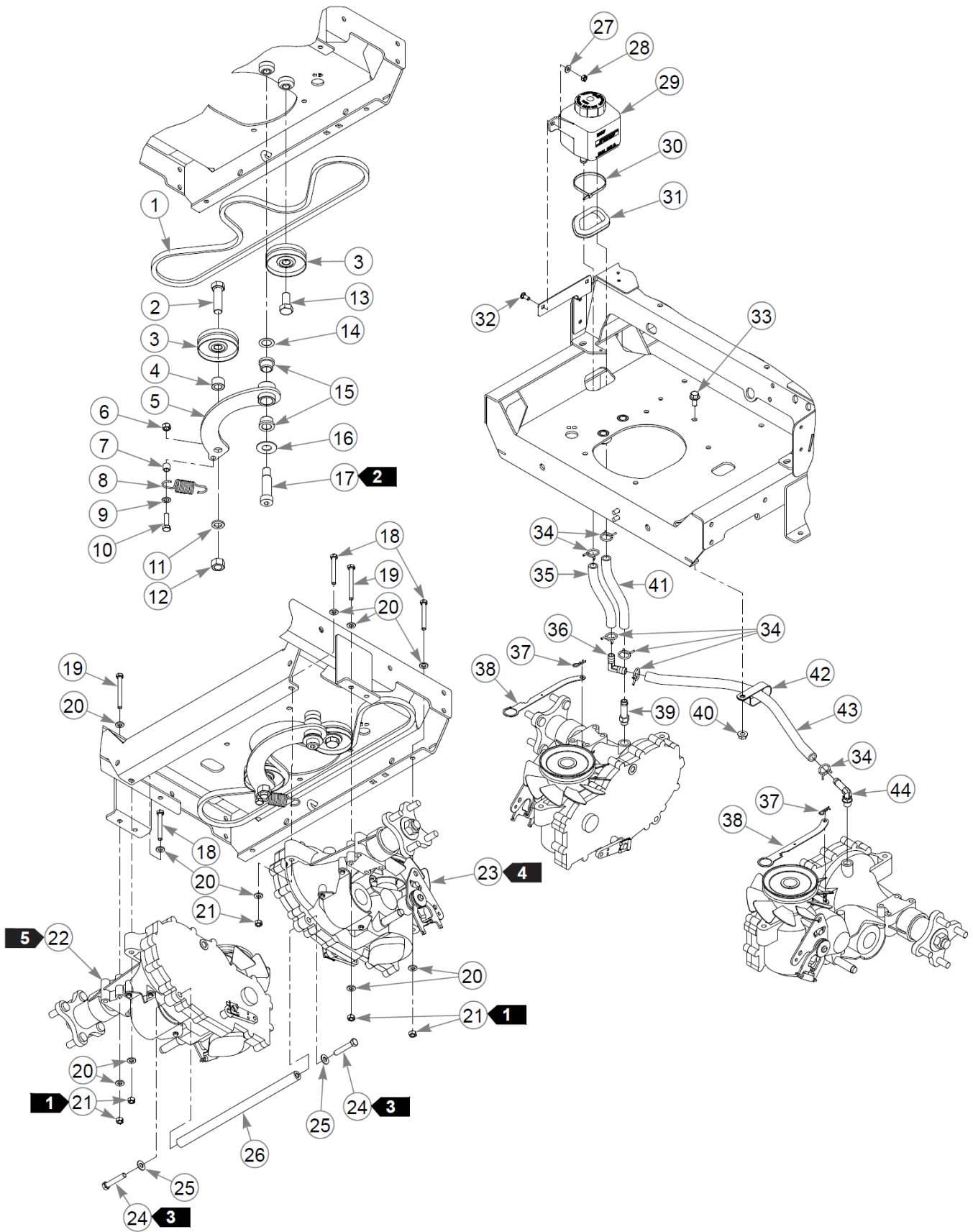
LEFT SIDE SHOWN
RIGHT SIDE SIMILAR

Engine Guard

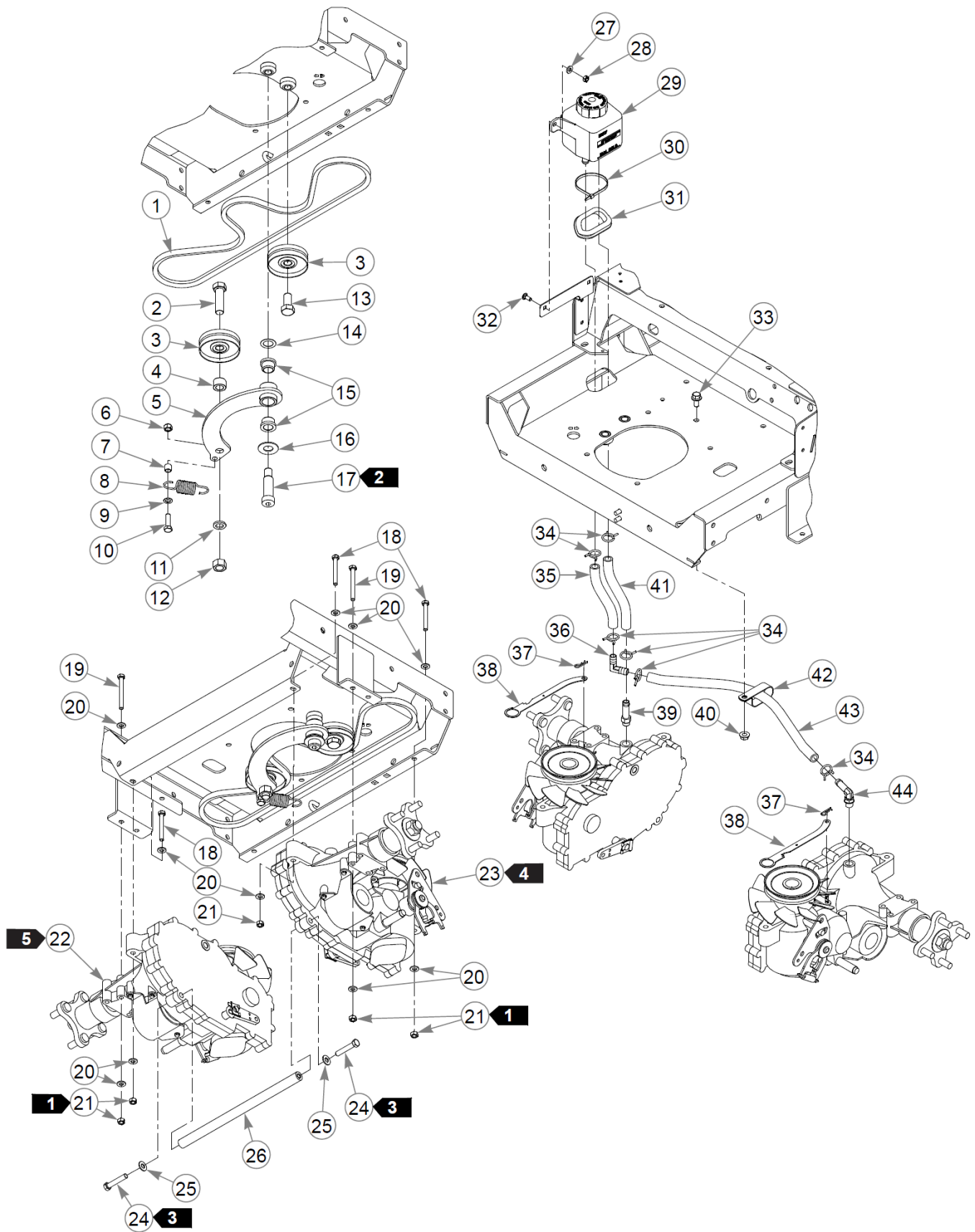
Elemento	Parte n.	Q.ta	Nome
1	016899	4	NT .375-16 FLKG5
2	029629	4	CS .375-16X0.75 HXF G5ZY
3	552968	1	ENGINE GUARD
4	604745	1	DECAL, H LOGO, MFSD 36/4

Comments for Page: Engine Guard

1. Part of the Frame Assembly.



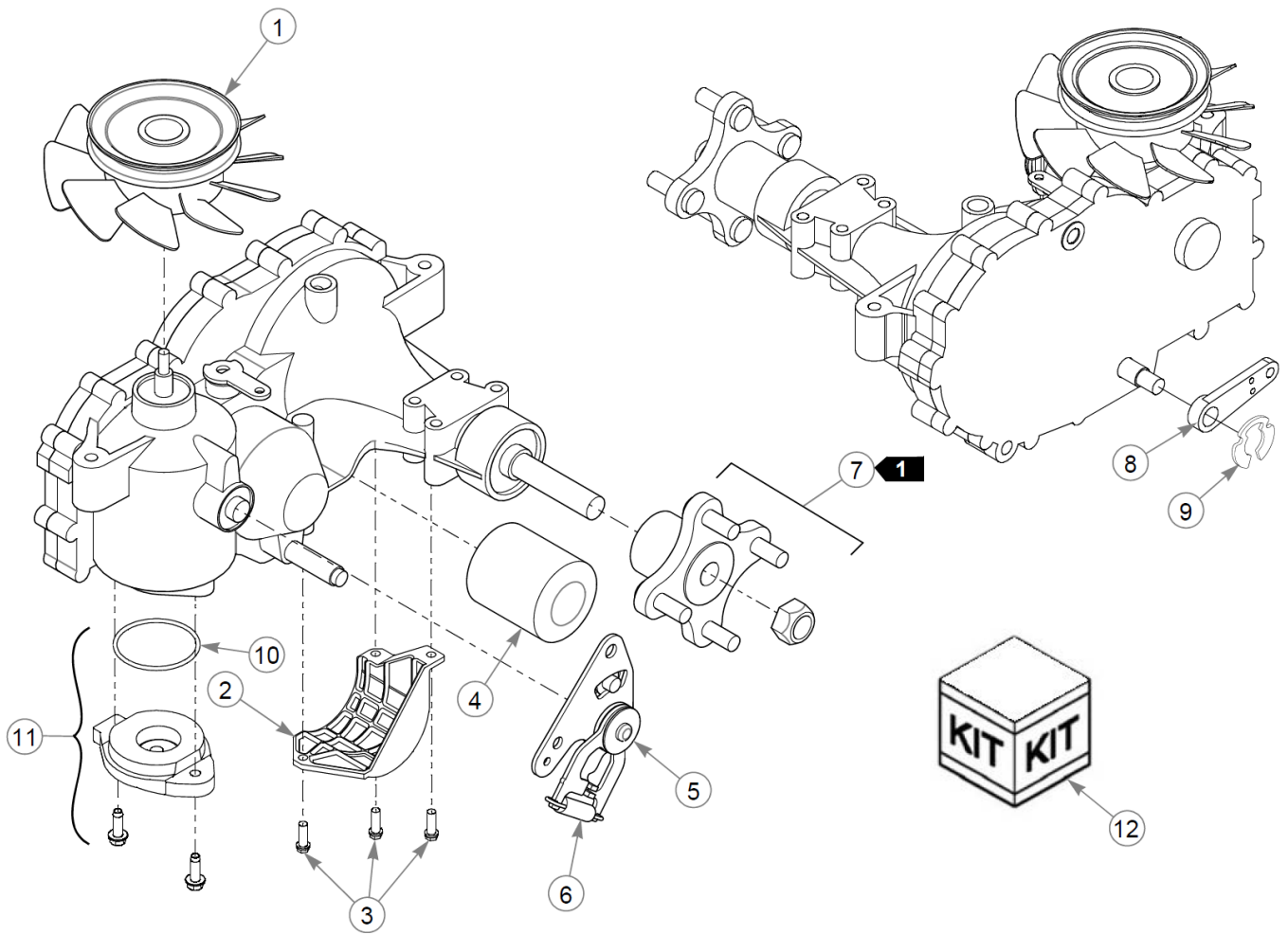
Elemento	Parte n.	Q.ta	Nome
1	786533	1	DRIVE BELT
2	601983	1	CS .625-11 X 2.25 HXG5ZY
3	606949	2	IDLER, 3.25 FLAT
4	121319	1	IDLER SPACER
5	121728	1	TENSION ARM W/A
6	086660	1	NT .375-16NLG8
7	605481	1	BUSHING
8	605655	1	SPRING, PUMP IDLER
9	704718	1	FW .406X .688X.060 ZNYC
10	052860	1	CS .375-16X1.25 HX G5 ZY
11	028118	1	FW 0.625X1.00X.13 ZY
12	016972	1	NT .625-11 HX G5 ZNYC
13	781872	1	CS .625-11X1.250HXG5
14	704791	1	FW .781X1.25X.02 ZY
15	781153	2	BUSHING, UHMW
16	025296	1	FW .760X1.63X0.08 ZY
17	601084	1	SB .750X 2.000 SH.625-11
18	710087	4	CS .312-18X2.500HXG5
19	043067	4	CS .312-18X3.000HXG5
20	768523	16	FW 0.343SAE
21	034272	8	NT .312-18HXG5
22	604708	1	ZT2800, 20.69:1 TRANS
23	604709	1	ZT2800, 20.69:1 TRANS
24	016410	2	CS .375-16X2.000HXG5
25	767954	2	FW 0.379X.82X.06 HD ZY
26	605539	1	SPACER TUBE
27	768515	2	FW 0.281SAE
28	068551	2	NT .250-20 HXZY NL
29	601996	1	EXPANSION TANK, ZT2800
Not Shown	600767	1	CAP, OVERFLOW TANK
30	000331	1	WIRE TIE, SMALL/SHORT
31	603289	1	GM, 2.25IDX 3.0ODX 2.5GD
32	601503	2	CB .250-20 X .625 ZNYC
33	029629	1	CS .375-16X0.75 HXF G5ZY
34	601001	6	SPRING CLAMP, .75" DIA
35	605744	1	OVERFLOW HOSE, 6"
36	605562	1	FTG, -8MBT/-8MBT, 90
37	706549	2	HP0.080X1.190



Elemento	Parte n.	Q.ta	Nome
38	118310	2	LINK, TOW VALVE
39	605730	1	FTG, -6MORB/-8MBT STR
40	016899	1	NT .375-16 FLKG5
41	605745	1	OVERFLOW HOSE, 7"
42	045088	1	HOSE CLAMP 1" (FS)
43	605746	1	OVERFLOW HOSE, 19"
44	601219	1	FTG, 90 - 9/16 SAE

Comments for Page: Drive System, Transmissions & Drive Belt

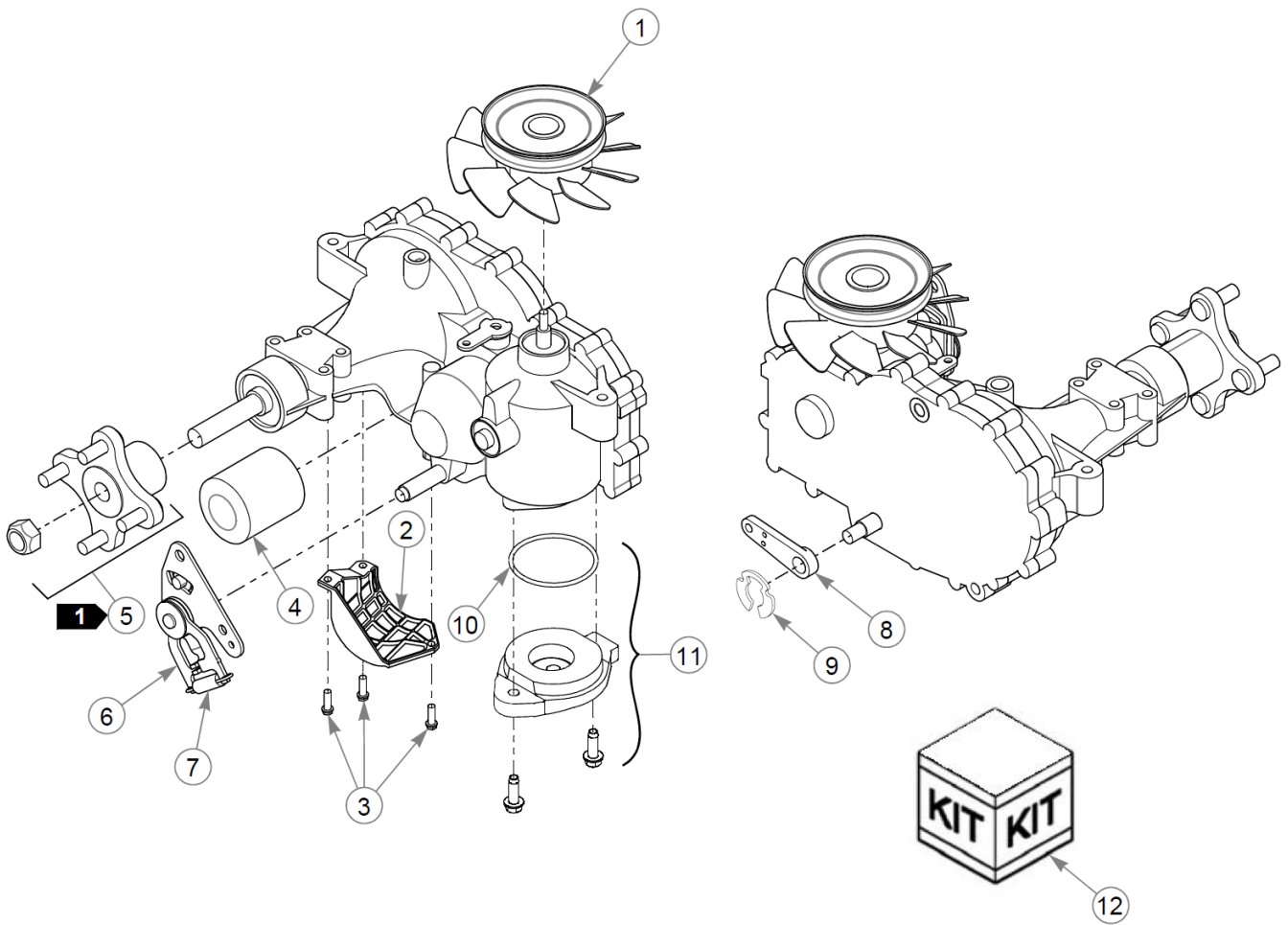
1. Torque to 23 N•m.
2. Torque to 136 N•m.
3. Torque to 41 N•m.
4. Left side transmission.
5. Right side transmission.
6. The overflow tank includes the cap.



Elemento	Parte n.	Q.ta	Nome
1	602094	1	FAN / PULLEY KIT
2	600975	1	GUARD, TRANS FILTER
3	604324	3	CS .250-20 X .75 HX FLG
4	600976	1	HYDRAULIC OIL FILTER
5	604901	1	HG RTN CW
6	604903	1	HG RTN SPRING
7	600970	1	KIT, HUB, 4 BOLT
8	601221	1	ZT2800 BRAKE ARM - 2007
9	600972	1	CLIP, RETAINING
10	603223	1	O-RING, ZT28/3100 CHARGE
11	603572	1	COVER, ZT3100 CHRG PUMP
12	606830	1	OIL RETENSION KIT,
Not Shown	607199	1	SEAL KIT 72994 HYDRO-G

Comments for Page: Transmission Service Parts - 604708

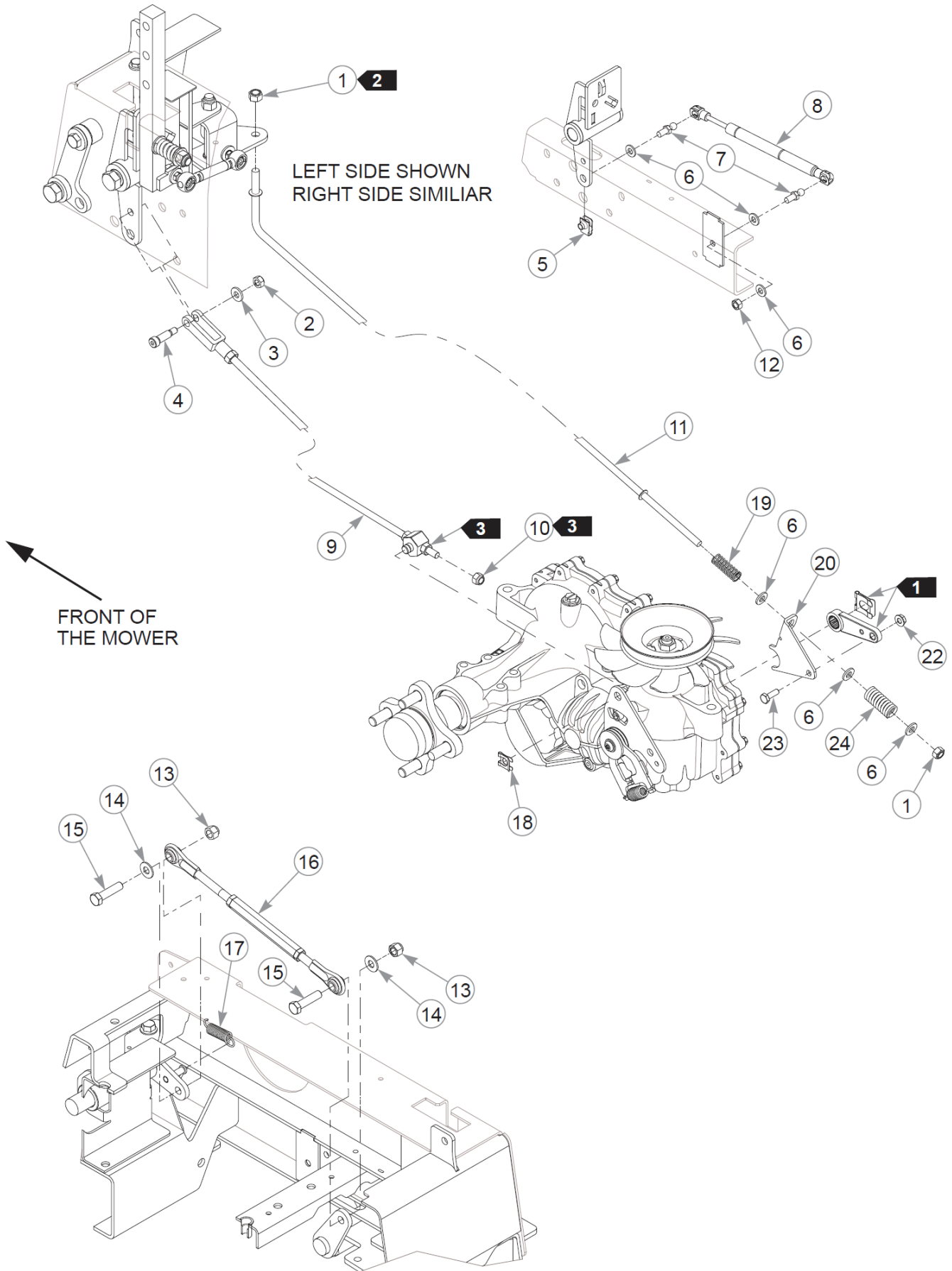
1. Hub kit (600970) includes the hub nut.



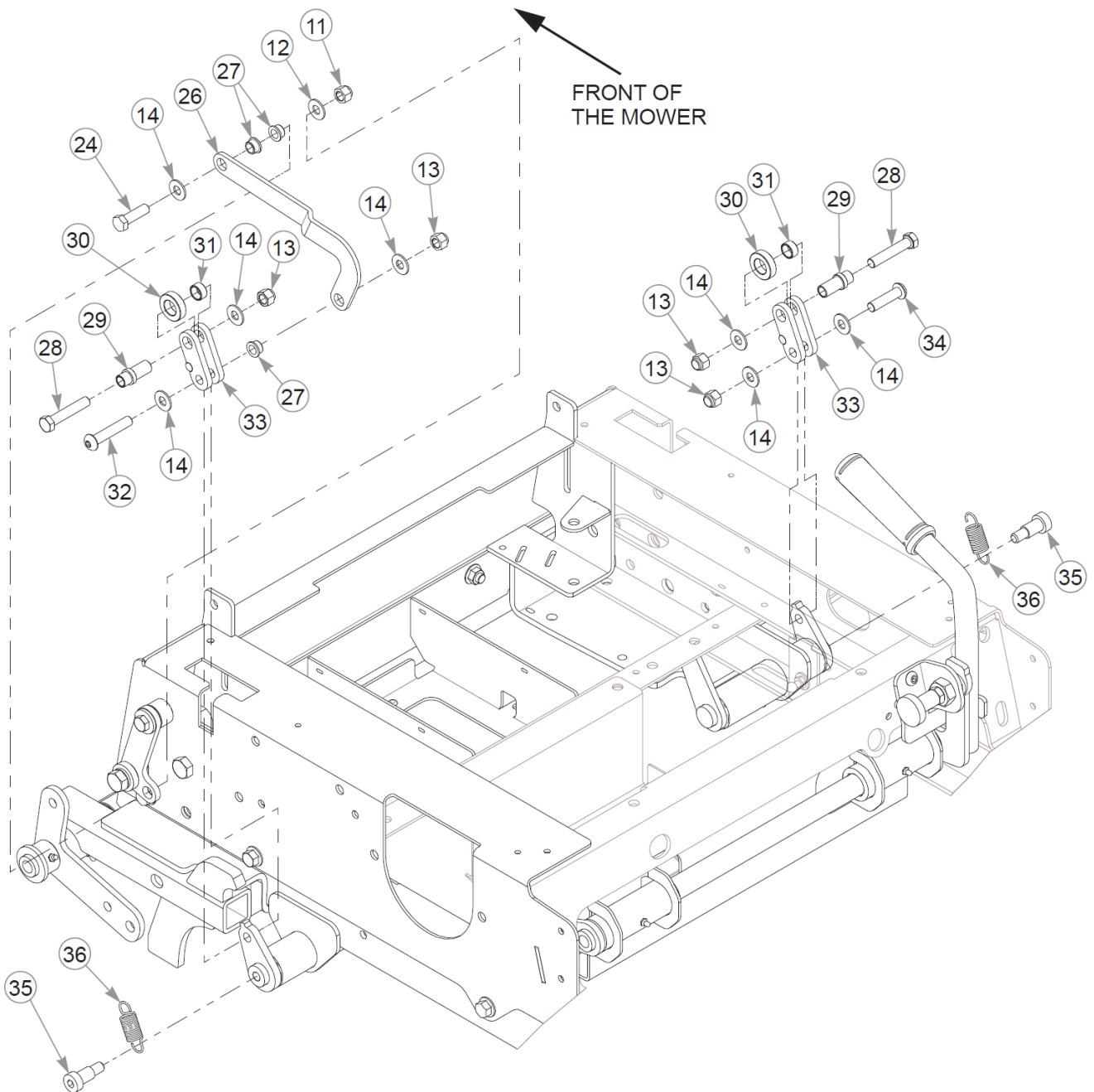
Elemento	Parte n.	Q.ta	Nome
1	602094	1	FAN / PULLEY KIT
2	600974	1	GUARD, TRANS FILTER
3	604324	3	CS .250-20 X .75 HX FLG
4	600976	1	HYDRAULIC OIL FILTER
5	600970	1	KIT, HUB, 4 BOLT
6	604902	1	HG RTN CCW
7	604903	1	HG RTN SPRING
8	601221	1	ZT2800 BRAKE ARM - 2007
9	600972	1	CLIP, RETAINING
10	603223	1	O-RING, ZT28/3100 CHARGE
11	603572	1	COVER, ZT3100 CHRG PUMP
12	606830	1	OIL RETENSION KIT,
Not Shown	607199	1	SEAL KIT 72994 HYDRO-G

Comments for Page: Transmission Service Parts - 604709

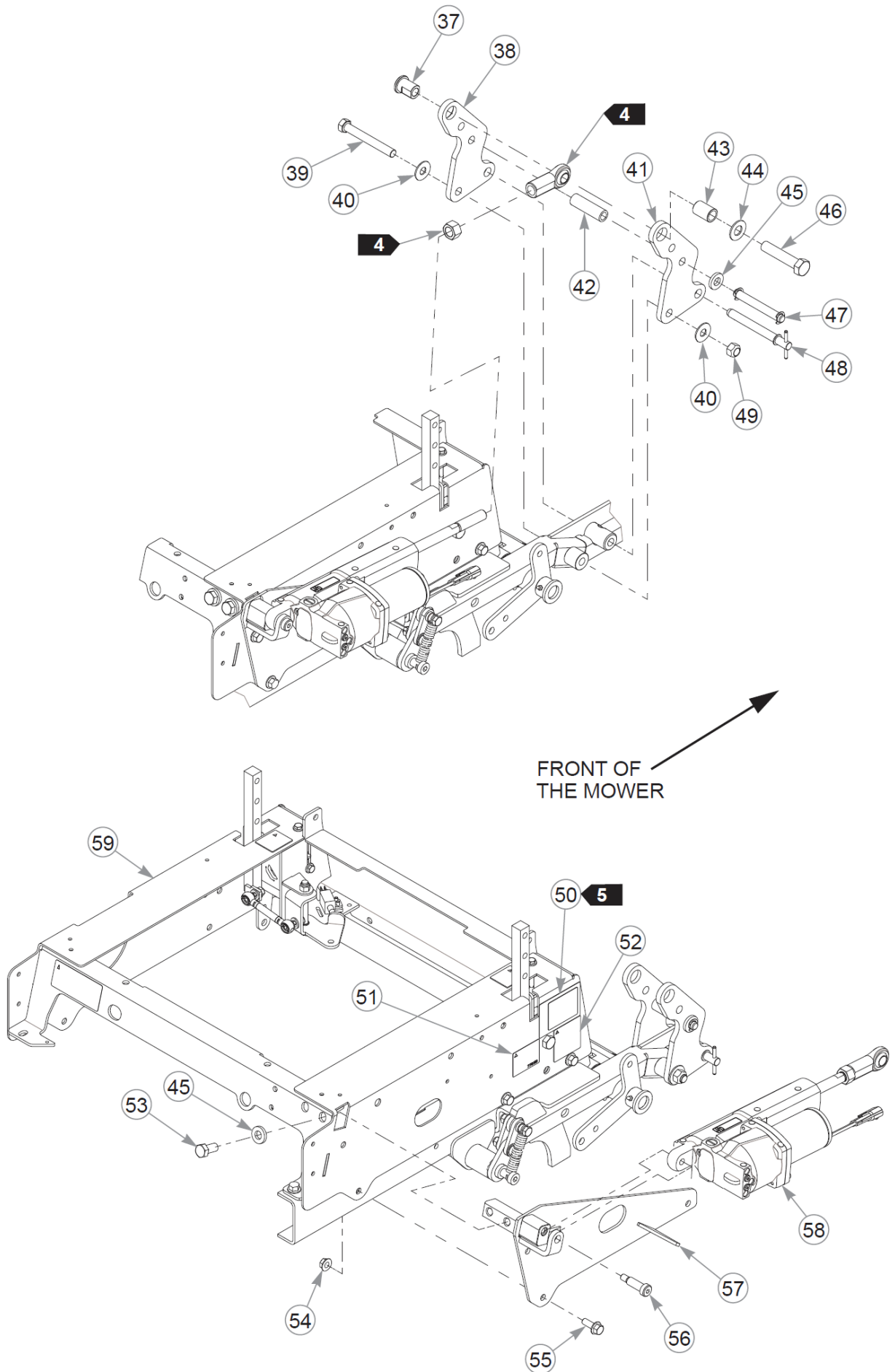
1. Hub kit (600970) includes the hub nut.



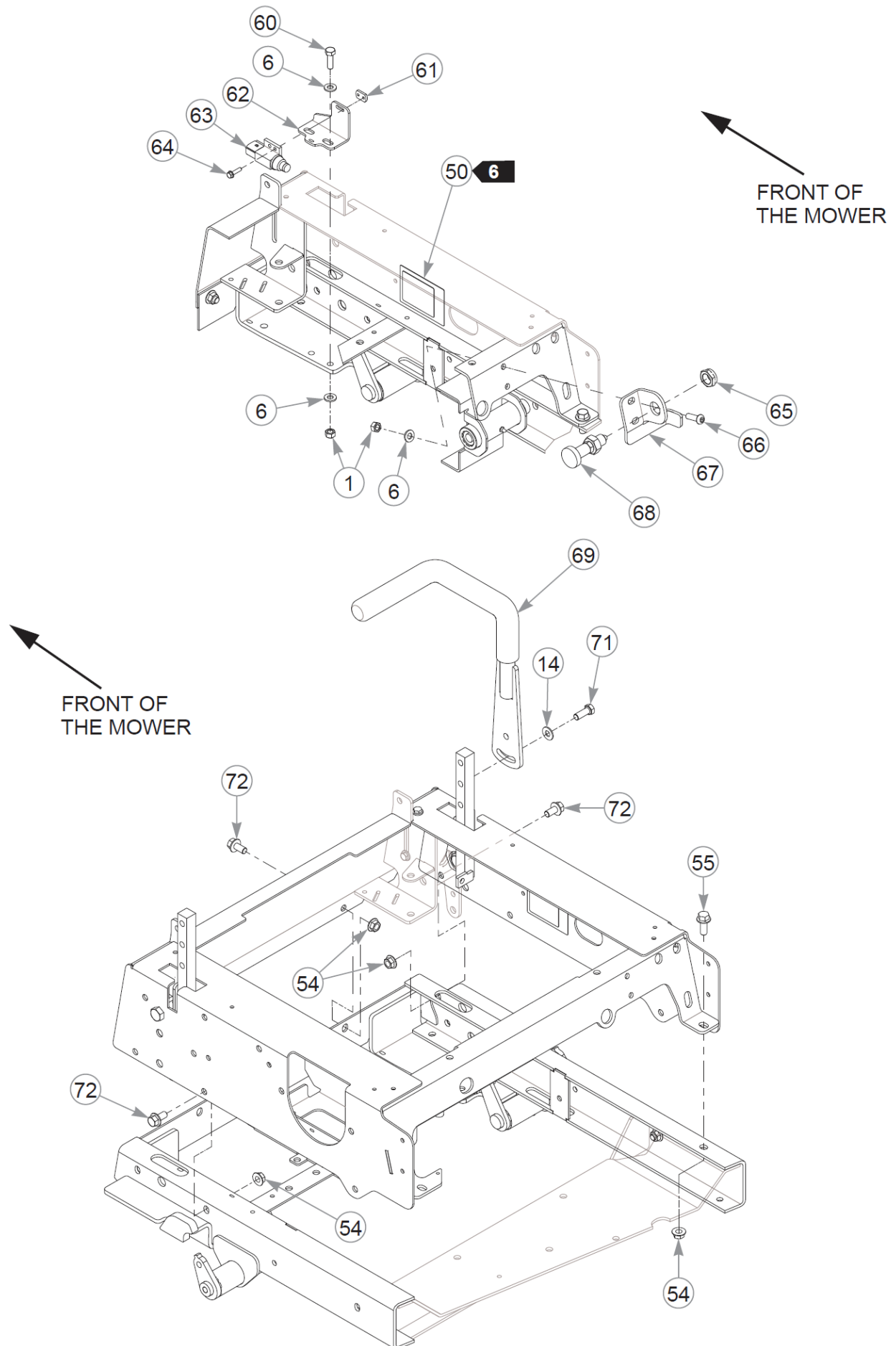
Elemento	Parte n.	Q.ta	Nome
1	058776	8	NT .312-18NLG5
2	068551	2	NT .250-20 HXZY NL
3	768515	2	FW 0.281SAE
4	772483	2	SB0.312X0.750SH0.250-20
5	601069	2	CN .312-18x.200 MAX THK
6	768523	19	FW 0.343SAE
7	781922	4	BALL STUD
8	603983	2	DAMPER
9	605273	2	STEERING ROD S/A
10	023655	2	NT 0.312-24 NL G8
11	605622	2	BRAKE ROD
12	034272	2	NT .312-18HXG5
13	086660	9	NT .375-16NLG8
14	767954	16	FW 0.379X.82X.06 HD ZY
15	080655	4	CS .375-16X1.500HXG5
16	605297	2	TURNBUCKLE, FRAME LATCH
17	034652	1	SPRING 2.5
18	606575	2	CLIP, SAFETY
19	601131	2	SPRING, BRAKE ARM RET.
20	109203	1	BRAKE SPRING LINK, LS
21	109202	1	BRAKE SPRING LINK, RS
22	016816	2	NT .250-20FLKG5
23	055939	2	CS .250-20X0.75 HX G5 ZY
24	601051	2	OVERTRAVEL SPRING
25	052860	1	CS .375-16X1.25 HX G5 ZY
26	119303	1	LATCH ARM
27	765339	3	BUSHING,IGUS#0608 (FS)
28	016410	2	CS .375-16X2.000HXG5
29	120131	2	SPACER, CAM FOLLOWER
30	605618	2	BUSHING, LATCH BEARING
31	605619	2	BUSHING, .500X.625
32	605680	1	CS .375-16 x 2.00 BH BO
33	118882	2	W/A, CARRIER LATCH
34	604816	1	CS .375-16X1.5 BH ZY
35	728550	2	SB .50X.75SH .375-16TD
36	605243	2	SPRING, TENSION .625OD
37	118890	1	ACTUATOR SPACER, INNER
38	118889	1	LIFT PIVOT PLATE, LH



Elemento	Parte n.	Q.ta	Nome
39	089938	1	CS .500-13X4.000HXG5
40	704759	2	FW 0.500X1.25X.08 ZY
41	118888	1	LIFT PIVOT PLATE, RH
42	605630	1	LIFT PIVOT SPACER
43	118891	1	ACTUATOR SPACER, OUTER
44	728030	1	FW .656X 1.312X.090 ZNY
45	767962	3	FW .531 x 1.063 x .175
46	029934	1	CS .625-11X3.000HXG5
47	605241	1	CE 0.500X4.00X3.50 HDLS
48	605240	1	LYNCH PIN 0.500 DIA
49	023317	1	NT .500-13UNTG8
50	N/A	2	SERIAL NO. / SPEC DECAL
51	776310	1	DECAL, CE MARK
52	789776CE	1	DBA LIMIT DECAL
53	016527	2	CS .500-13X1.000HXG5
54	016899	11	NT .375-16 FLKG5
55	029751	4	CS .375-16X1.00 HXF G5ZY
56	760330	1	SB .500X 1.250 SH .375-
57	118859	1	W/A, ACTUATOR MOUNT
58	606159	1	ACTUATOR S/A
59	N/A	1	CONTROL ASSEMBLY
60	036236	2	CS .312-18X1.250HXG5
61	601822	1	NUT PLATE, .420 CENTERS
62	120430	1	SWITCH BRACKET
63	602538	1	SWITCH PLUNGER, NC/NO
64	063198	2	CS #10-24X0.750FLKG5
65	602728	1	NT .625-11 HXZY NL THIN
66	602231	2	CS .312-18X1.00 BTNHD ZN
67	118837	1	PLUNGER BRKT
68	604872	1	SPRING PLUNGER, LOCKING
69	605383	1	STEERING BAR W/A, RH
70	781260	1	GRIP, STEERING BAR
70	605384	1	STEERING BAR W/A, LH
71	036244	4	CS .375-16X1.00 HX G5 ZY
72	029629	7	CS .375-16X0.75 HXF G5ZY

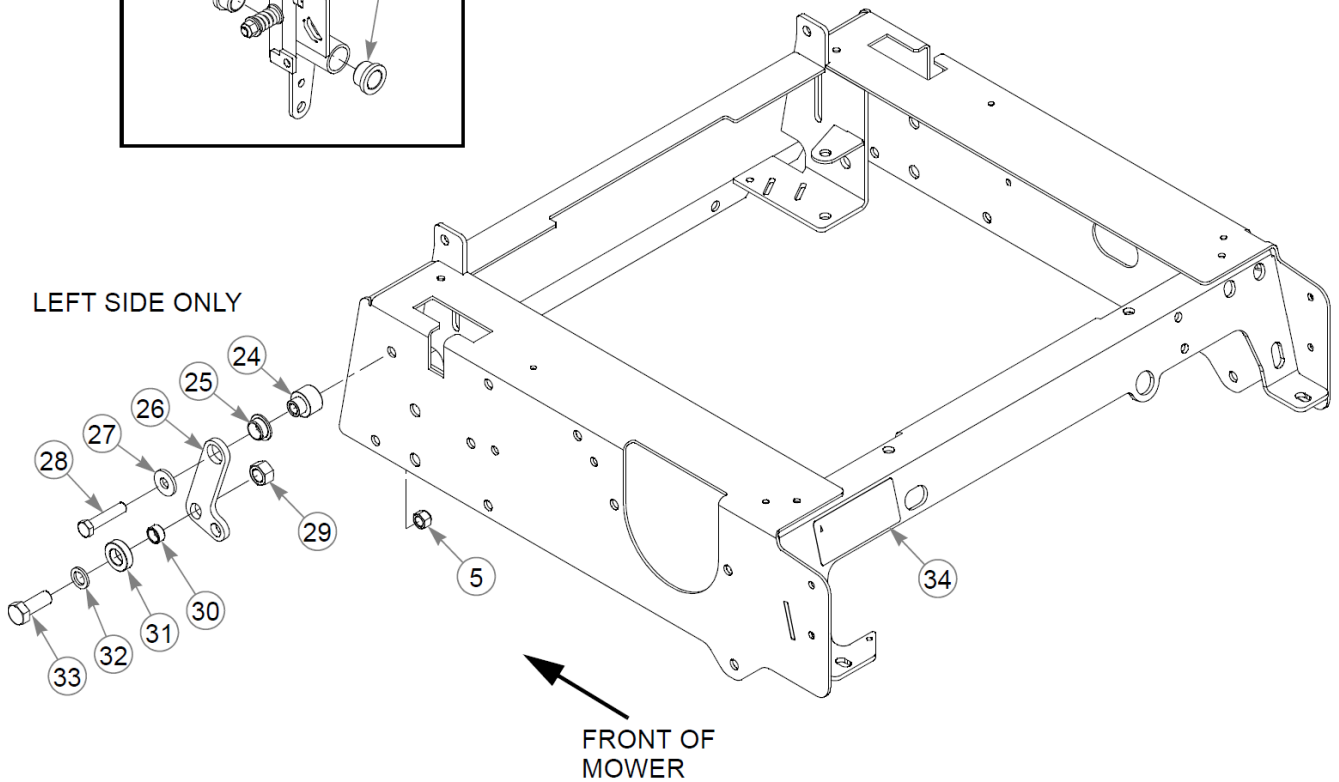
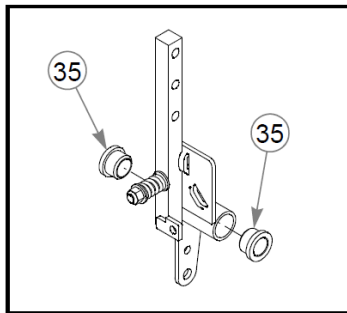
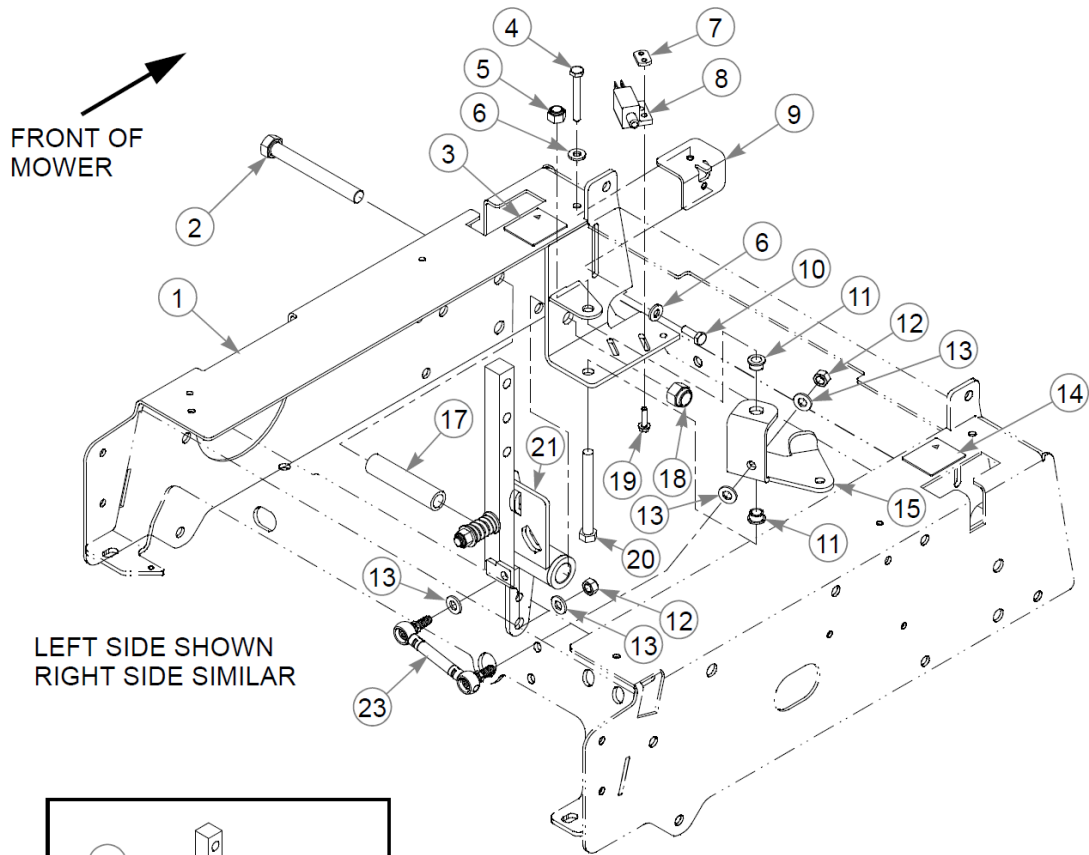


Pagina lasciata volutamente in bianco



Comments for Page: Steering, Brake & Deck Lift Controls (Multi-Page)

1. Part of the transmission.
2. The nut must be flush with the end of the brake rod.
3. Torque to 19 N•m.
4. Part of the actuator assembly, 606159.
5. Serial number decal. In the event the serial number decal becomes damaged or illegible, please contact your dealer to order a replacement.
6. EPA compliance decal (does not apply to mowers with serial numbers prior to 19020001).
7. The steering handles include the grips.



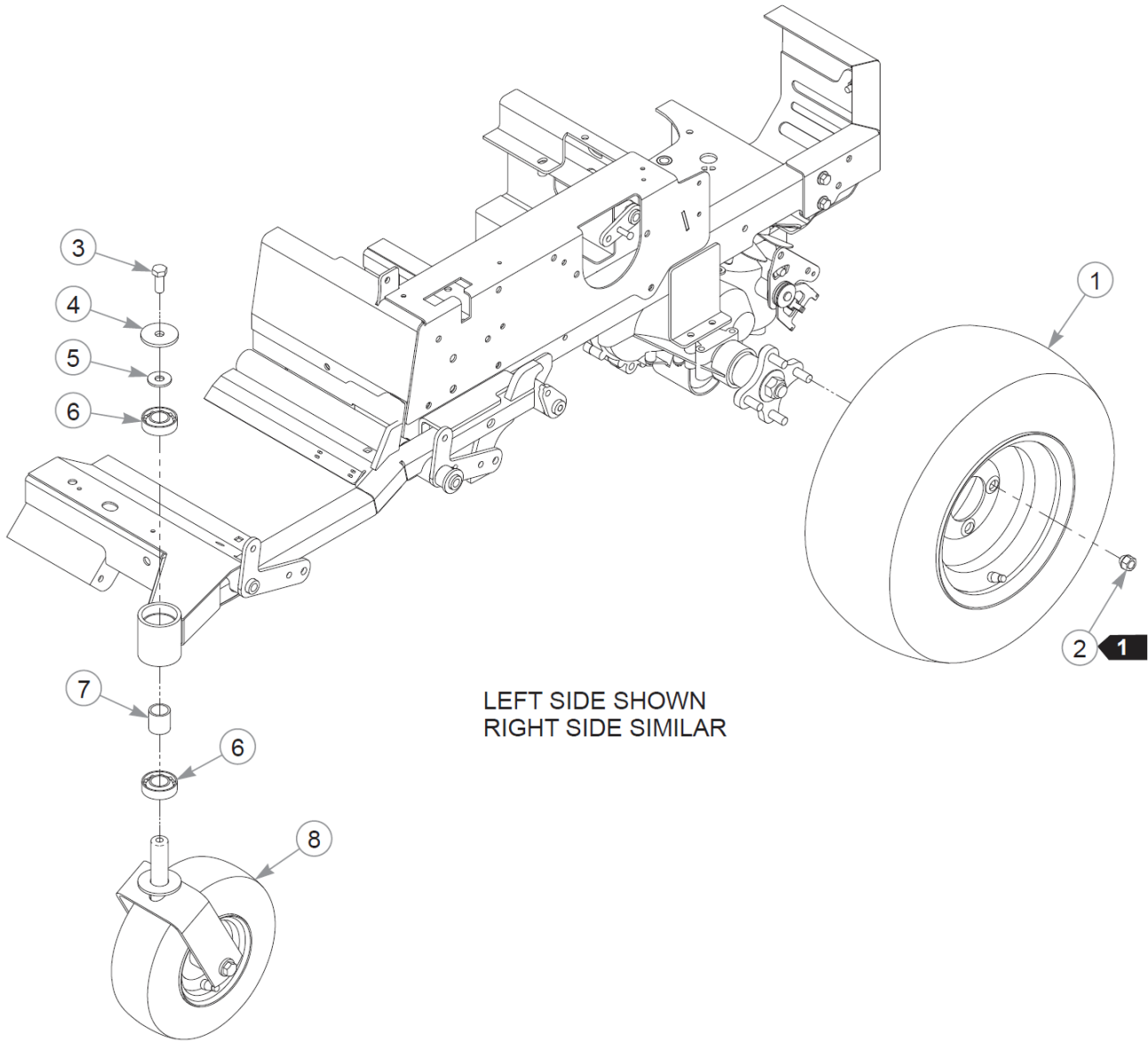
Elemento	Parte n.	Q.ta	Nome
1	552923	1	SVC, CONTROL ASSY RFU
2	781708	2	CS .500-13X4.25 HX G5 ZY
3	785139	1	DECAL, STEERING L.S.
4	604452	2	CS .250-20X2.00 HX FH ZY
5	086660	3	NT .375-16NLG8
6	768515	4	FW 0.281SAE
7	601822	2	NUT PLATE, .420 CENTERS
8	781211	2	SWITCH, PUSH BUTTON
9	605529	2	STOP, STEERING
10	055939	2	CS .250-20X0.75 HX G5 ZY
11	765339	4	BUSHING,IGUS#0608 (FS)
12	058776	4	NT .312-18NLG5
13	768523	8	FW 0.343SAE
14	785220	1	DECAL, STEERING R.S.
15	116142	1	BRAKE BLCRNK, LH
16	116141	1	BRAKE BLCRNK, RH
17	604288	2	SPACER, STEERING
18	781567	2	NT .500-13NLG5
19	063198	4	CS #10-24X0.750FLKG5
20	005108	2	CS .375-16X3.500HXG5
21	606106	1	STEERING BOX SUB, LH
Not Shown	604300	1	STEERING BOX SUB, LH
22	606105	1	STEERING BOX SUB, RH
Not Shown	604299	1	STEERING BOX SUB, RH
23	604179	2	BRAKE LINK
24	119304	1	LATCH SPACER
25	602539	1	BUSHING, .625 I.D.
26	119302	1	FRAME LATCH
27	712919	1	FW 0.406X1.00X.12 HD ZY
28	705178	1	CS .375-16X1.750HXG5
29	008193	1	NT .500-13HXG5
30	605619	1	BUSHING, .500X.625
31	605618	1	BUSHING, LATCH BEARING
32	604486	1	FW .531X.812X.089 HD
33	705954	1	CS .500-13X1.25 HX G5 ZY
34	601967	1	DECAL, ENGINE COMPART
35	781153	4	BUSHING, UHMW

Steering & Deck Lift Controls Sub-Assembly

Comments for Page: Steering & Deck Lift Controls Sub-Assembly

1. 606105 and 606106 are used on mowers S/N 16042182 & higher; 604299 and 604300 are used on mowers S/N prior to 16042182.
2. The steering cover (552923) includes decals.

Pagina lasciata volutamente in bianco

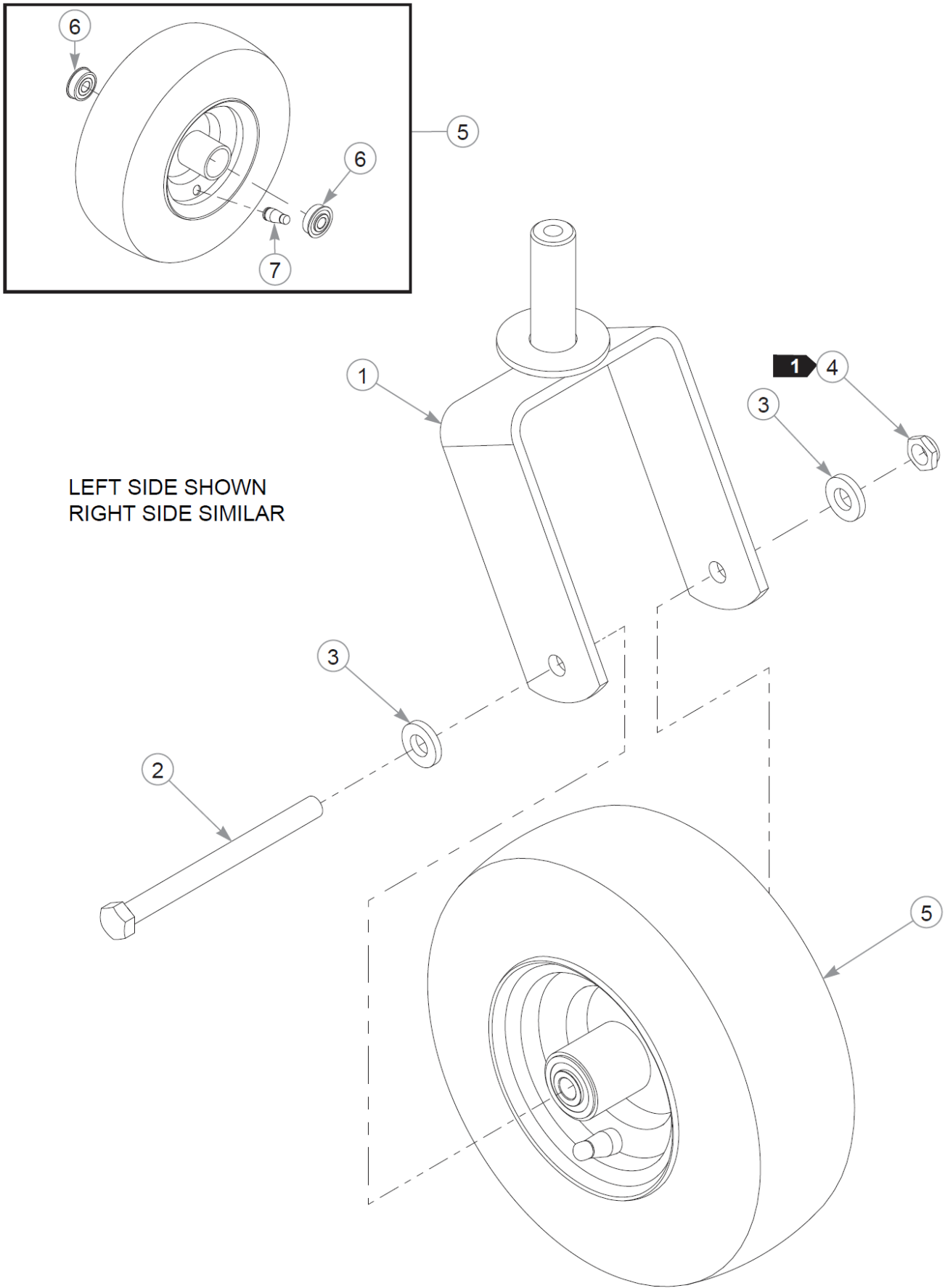


Wheels & Tires

Elemento	Parte n.	Q.ta	Nome
1	600676	2	TIR/WHL 20X8.00-10 SLV
2	061077	8	WHEEL NUT
3	705954	2	CS .500-13X1.25 HX G5 ZY
4	344267	2	FW .510X2.15X.19 ZY
5	712976	2	FW 0.531X1.38X.12 ZY
6	784223	4	BEARING
7	784603	2	SPACER
8		2	FRONT WHEEL ASSEMBLY BREAKDOWN

Comments for Page: Wheels & Tires

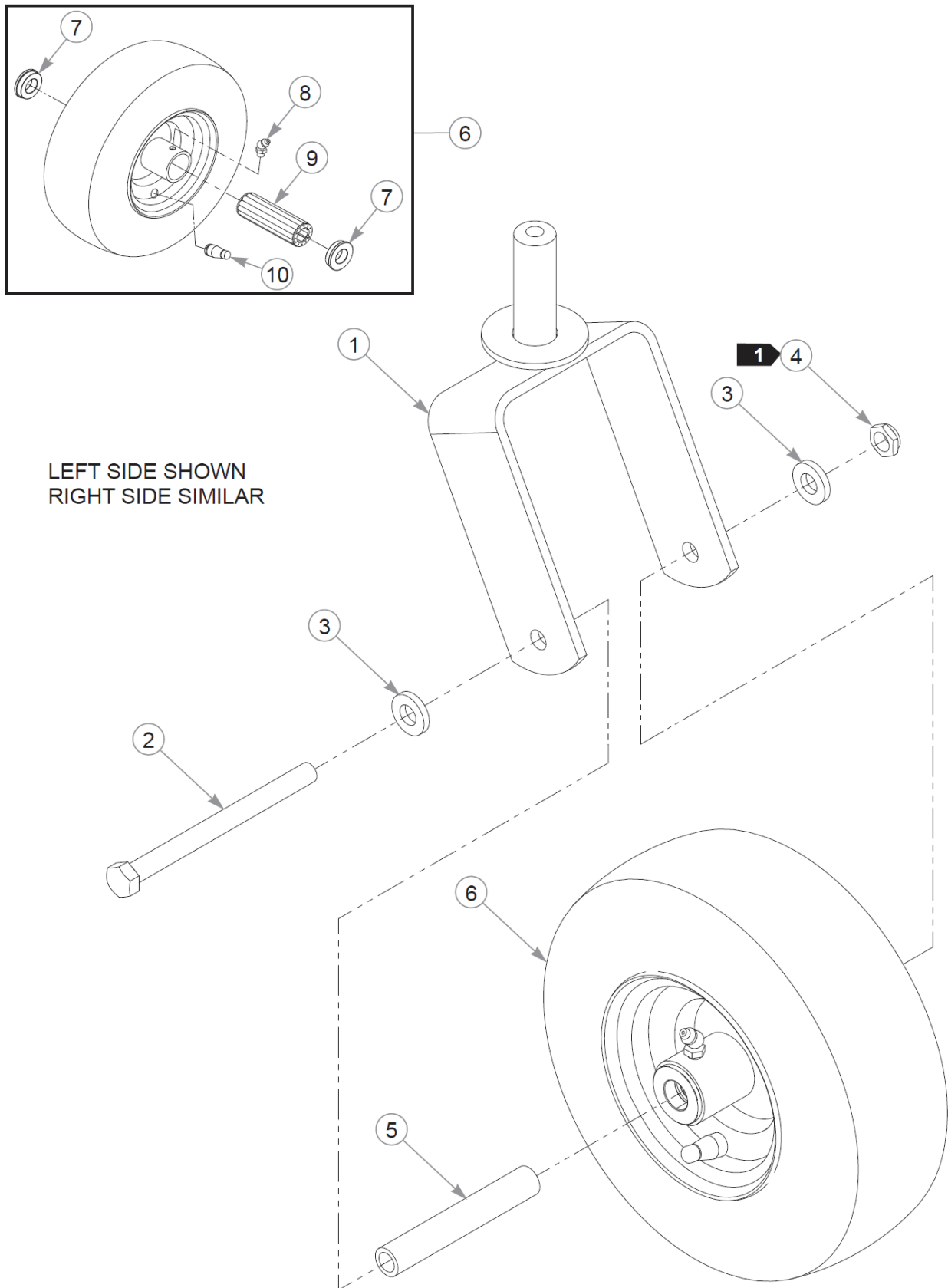
1. Torque to 65–75 ft-lbs.



Elemento	Parte n.	Q.ta	Nome
1	124653-1	1	CASTOR FORK W/A
2	604718	1	CS .500-13X6.00 HX G5 ZY
3	767962	2	FW .531 x 1.063 x .175
4	707398	1	NT .500-13 JAM NY LK
5	607009	1	TIR/WHL 11X4.00-5 SLV
6	607026	2	BEARING, BALL SEALED
7	019521	1	TIRE VALVE TR-412 GOODY

Comments for Page: Front Wheel Assembly Breakdown - S/N 19010000 & Higher

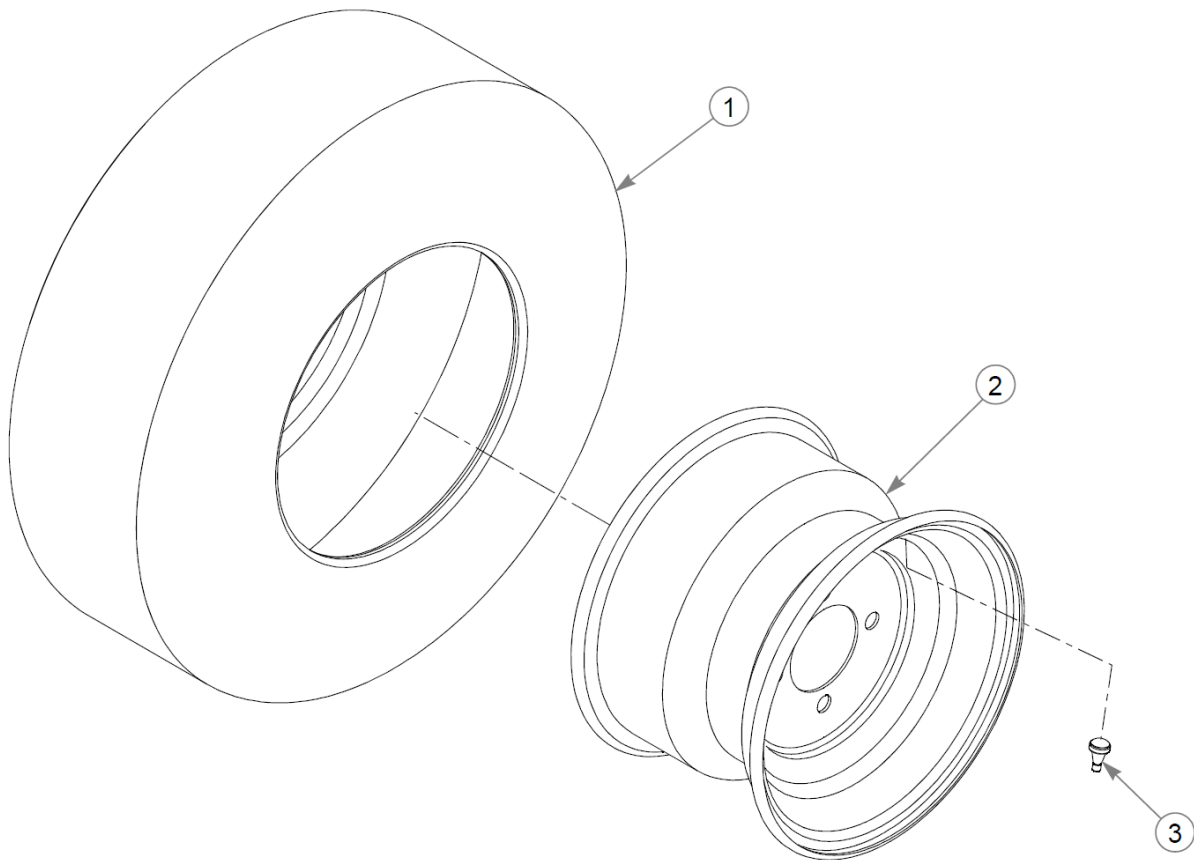
1. Tighten, then back off the nut until the wheel spins freely.
2. The tire/wheel assembly includes items 6 & 7.



Elemento	Parte n.	Q.ta	Nome
1	124653-1	1	CASTOR FORK W/A
2	604718	1	CS .500-13X6.00 HX G5 ZY
3	767962	2	FW .531 x 1.063 x .175
4	707398	1	NT .500-13 JAM NY LK
5	306969	1	GAGE WHEEL SPACER
6	605113	1	TIR/WHL 11X4.00-5 SLV
7	772806	2	BEARING CAP
8	606126	1	GREASE FITTING, M8X1.0
9	772814	1	BEARING, 3/4" ROLLER
10	019521	1	TIRE VALVE TR-412 GOODY

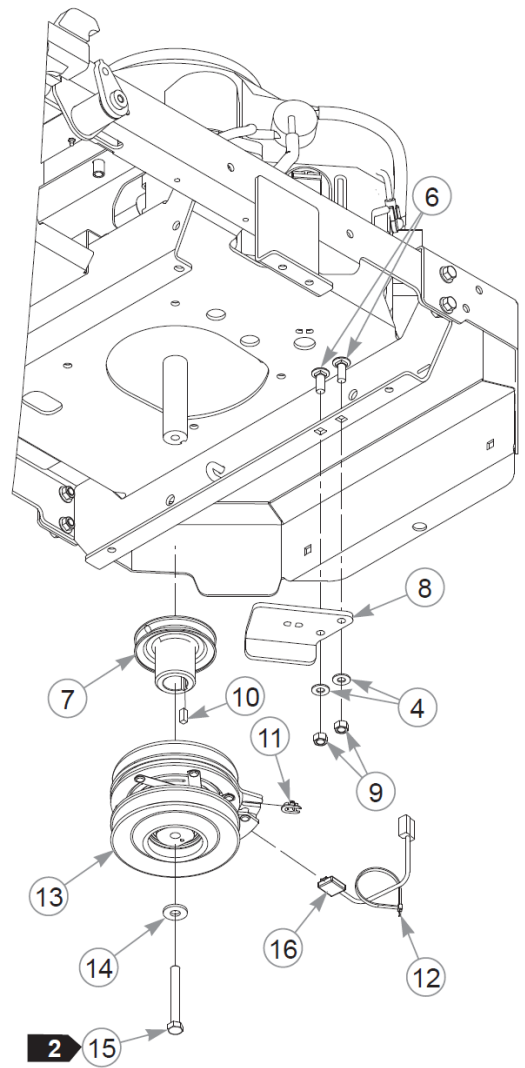
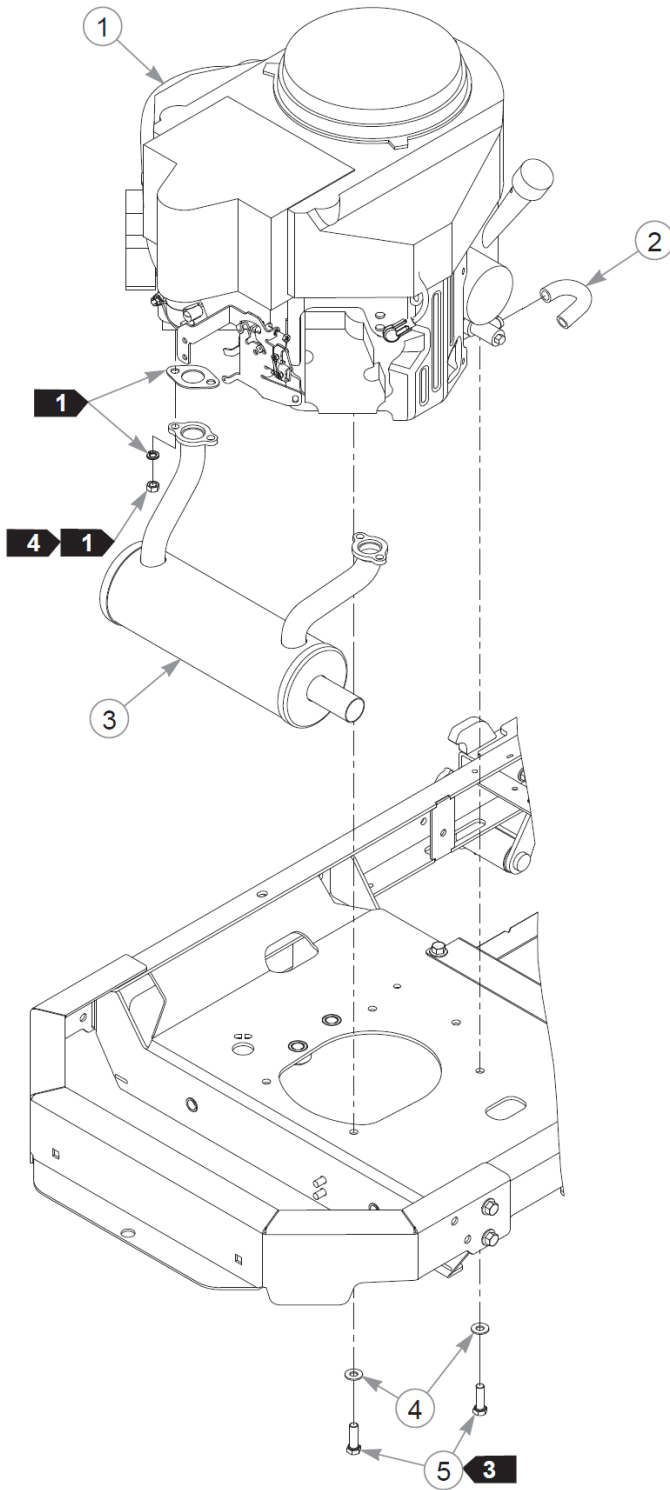
Comments for Page: Front Wheel Assembly Breakdown - Prior to S/N 19010000

1. Tighten, then back off the nut until the wheel spins freely.
2. The tire/wheel assembly includes items 7-10.

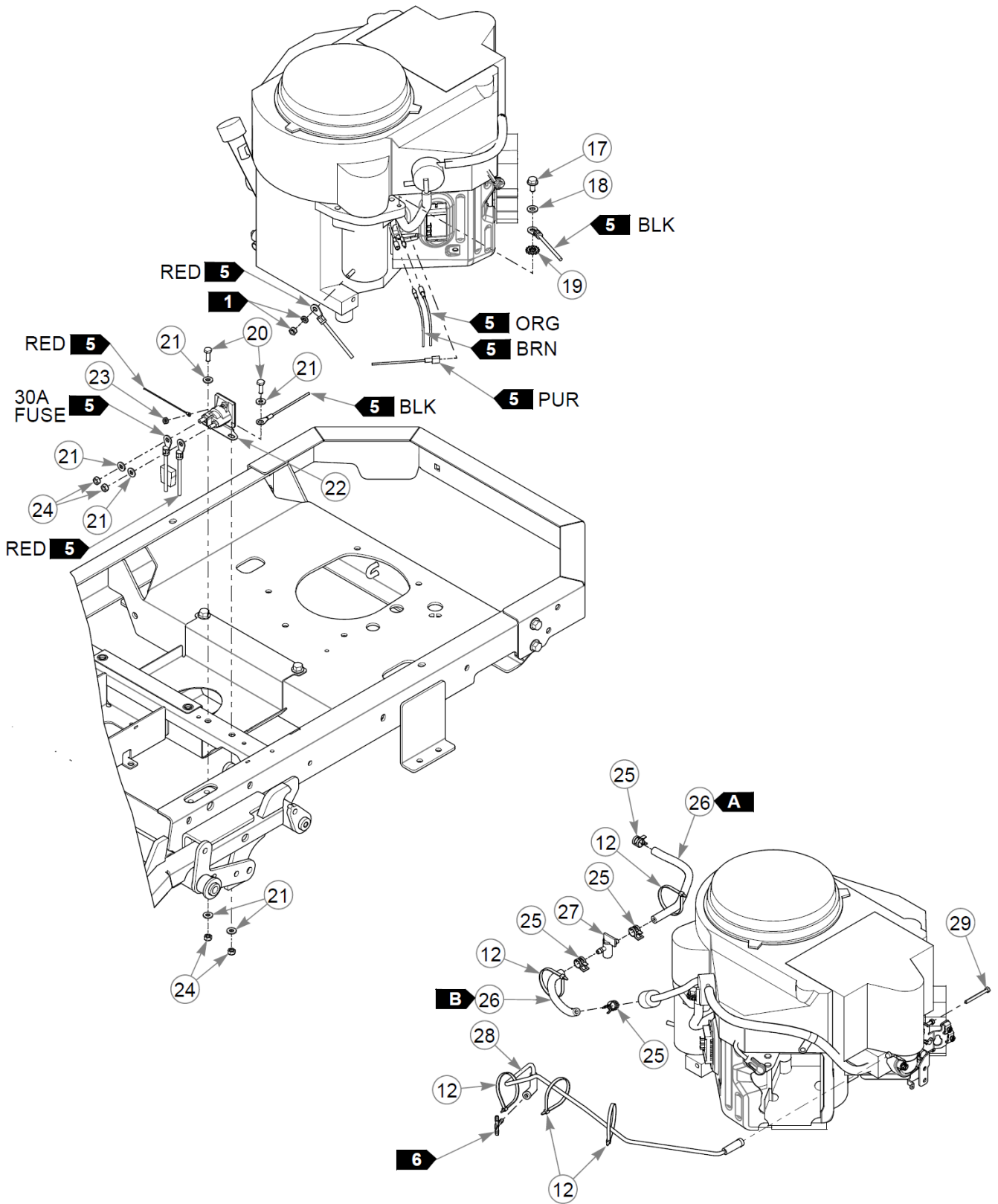


Drive Wheel Breakdown

Elemento	Parte n.	Q.ta	Nome
1	600692	1	TIR 20X8.00-10 B4R GRMR
2	600718	1	WHL 10X7.00 4X4.0 SLV
3	019521	1	TIRE VALVE TR-412 GOODY



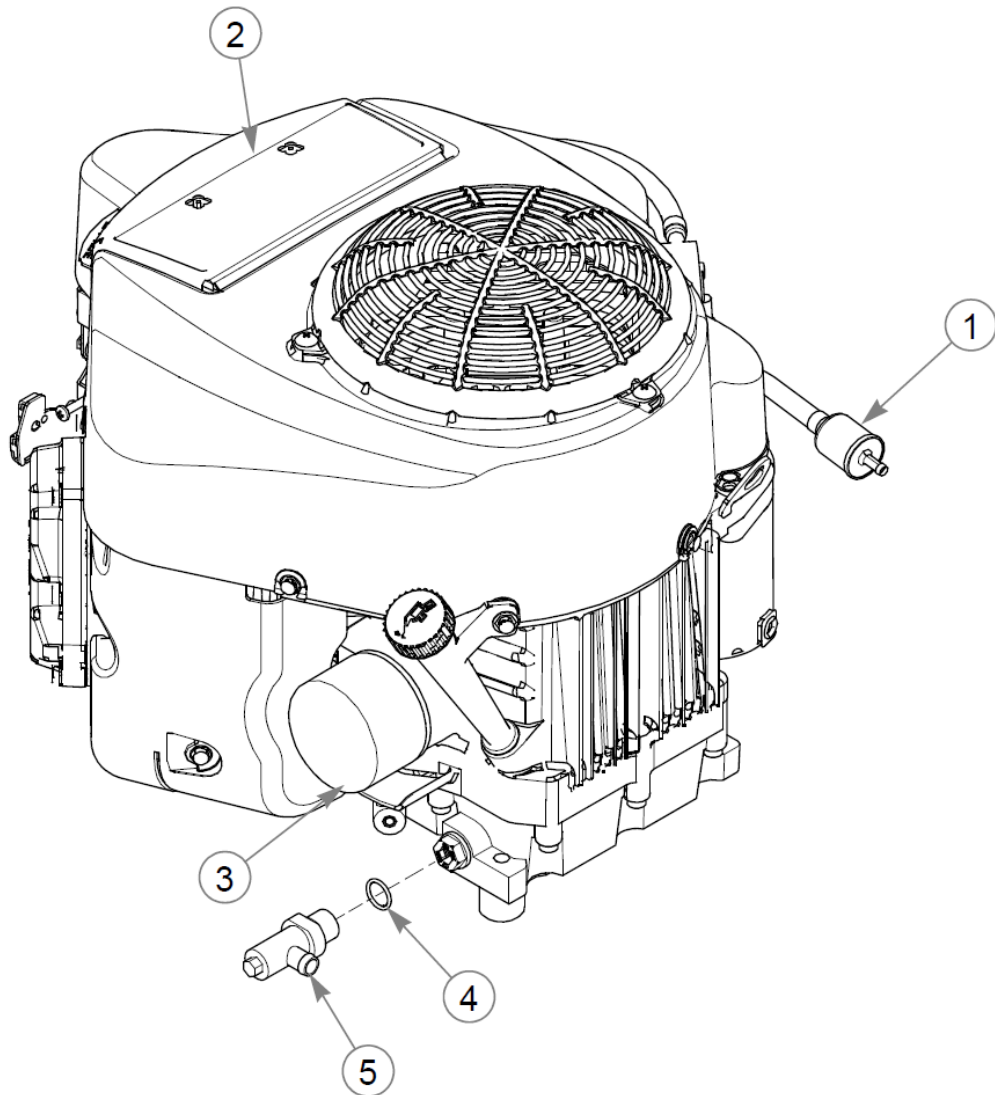
Elemento	Parte n.	Q.ta	Nome
1		1	ENGINE, KAW FR691V
2	605317	1	HOSE, OIL DRAIN
3	604016	1	MUFFLER, FR730V
4	767954	6	FW 0.379X.82X.06 HD ZY
5	602580	4	CS .375-16X1.25HXG8ZYP85
6	025395	2	CB .375-16X 1.00 G5 ZNY
7	605574	1	PULLEY, ENG 4.094OP
8	121402	1	CLUTCH ANCHOR
9	054502	2	NT .375-16HXG5
10	712372	1	KEY 1/4 SQ X 0.66 LG(FS)
11	605595	1	BUSHING, CLUTCH
12	000331	7	WIRE TIE, SMALL/SHORT
13	605576K	1	CLUTCH KIT, 605576
14	602680	1	FW .453X1.12X.12 HRD ZY
15	601834	1	CS .437-20X3.25 HXG5 P85
16	791251	1	HARNESS, CLUTCH PIGTAIL
<p>Commenti per num parte 791251</p> <p>Pigtail was updated with epoxy to hold the wires steady. The wire sheath was also updated to a more flexible material.</p>			
17	720516	1	CS M8-1.25X16HX FL10.9
18	768523	1	FW 0.343SAE
19	029876	1	LW .312 INTEXT ZY
20	055939	2	CS .250-20X0.75 HX G5 ZY
21	768515	6	FW 0.281SAE
22	030817	1	STARTER SOLENOID HW KIT
23	044255	1	NT #10-32HXG5
24	024927	4	NT .250-20HXG5
25	000323	4	CLIP, HOSE CLAMP
26	015818	33 cm	FUEL LINE, 1/4"
<p>Commenti per num parte 015818</p> <p>Sold by the foot.</p>			
27	605601	1	FUEL SHUT-OFF VALVE
28	605611	1	VAPOR LINE, 3/16 FORMED
29	603524	1	CS M5-0.8 X 50 MM



Engine, Muffler & Clutch (Multi-Page)

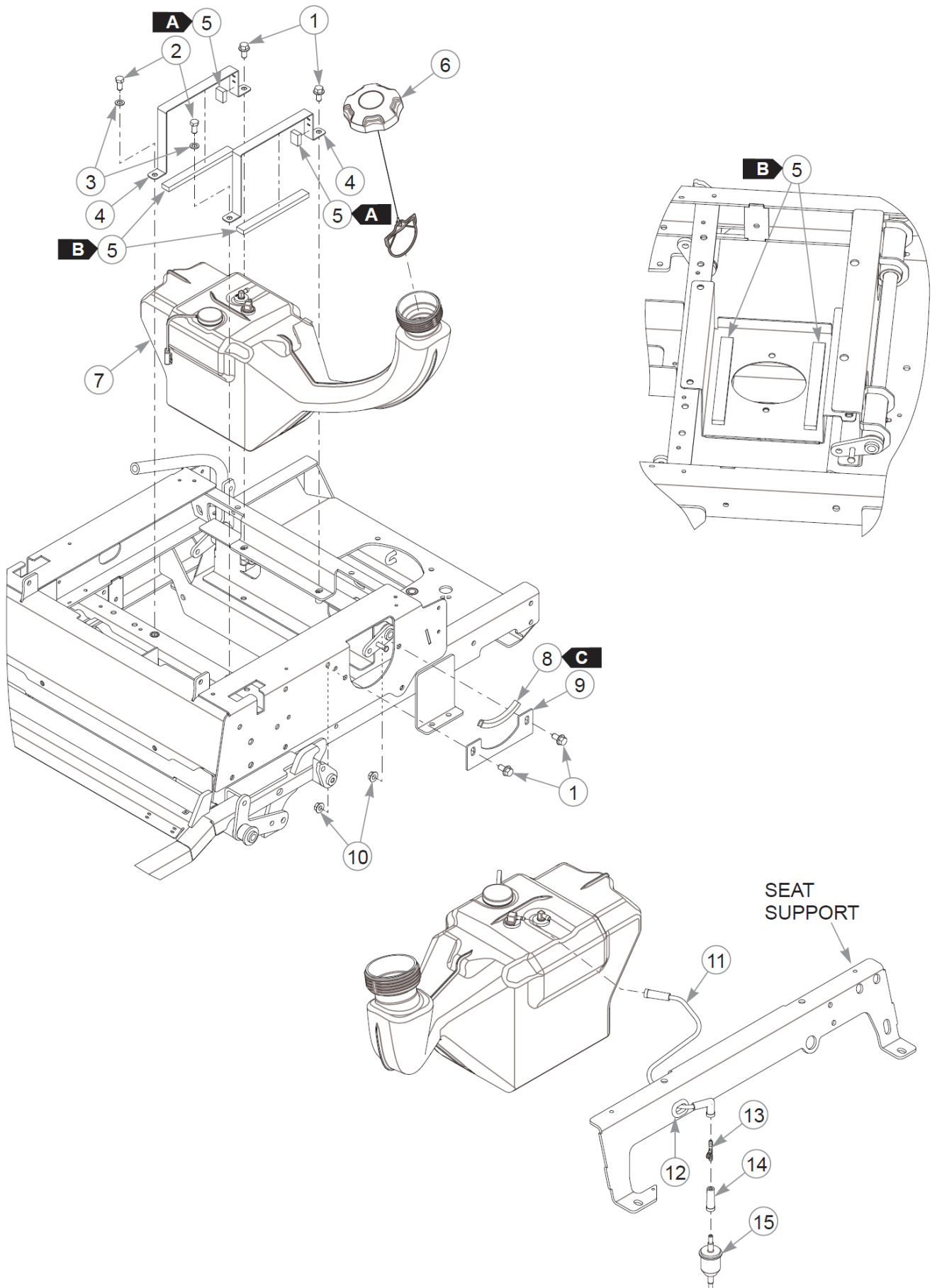
Comments for Page: Engine, Muffler & Clutch (Multi-Page)

FUEL LINE LENGTHSA: 16.5 cm fuel line from the tank to the valveB: 16.5 cm fuel line from the valve to the engine1. Supplied with the engine.2. Torque to 61–65 N•m. Replace (do not reuse) the cap screw if it is removed or loosened. Use only hand tools to install this fastener.3. Torque to 40–47 N•m. Replace (do not reuse) the cap screw if it is removed or loosened. Use only hand tools to install this fastener.4. Torque to 23 N•m.5. Part of the wire harness.6. Part of the fuel system.



Engine Service Parts

Elemento	Parte n.	Q.ta	Nome
1	068478	1	FUEL FILTER - IN LINE
2	603059	1	AIR FILTER - MAIN
3	602581	1	ENGINE OIL FILTER
4	604369	1	O-RING
5	604350	1	VALVE, OIL DRAIN

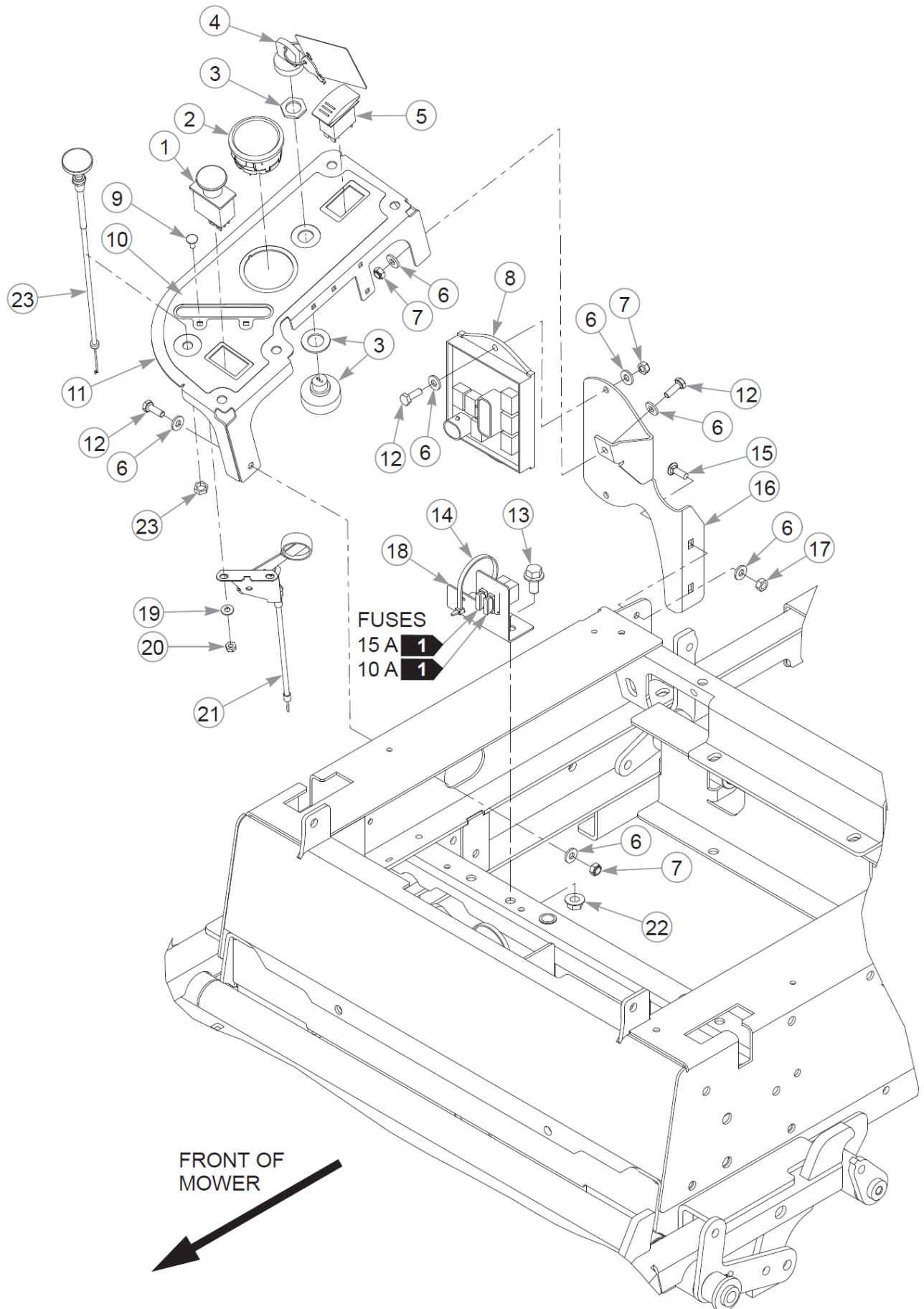


Fuel System

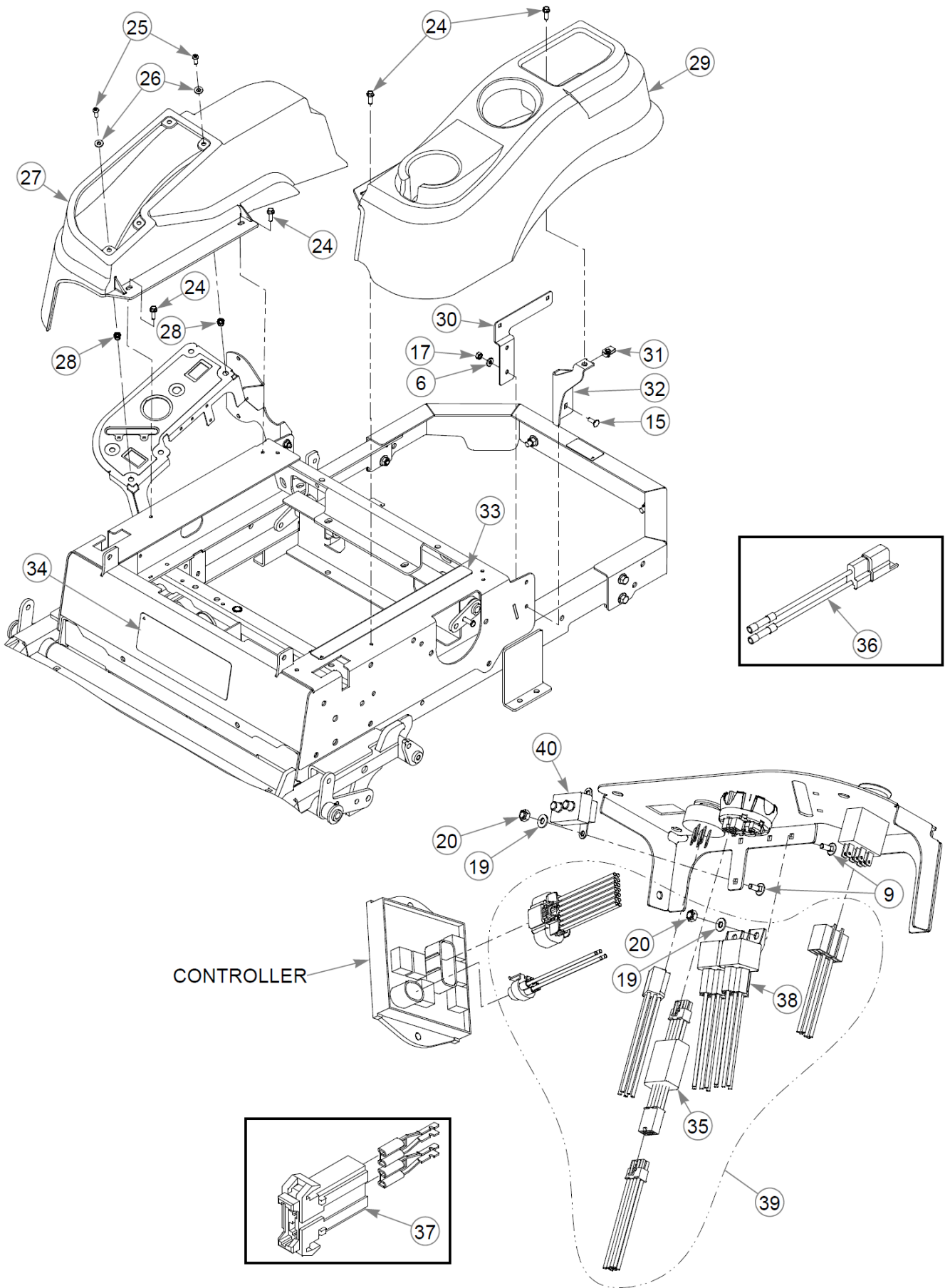
Elemento	Parte n.	Q.ta	Nome
1	029629	4	CS .375-16X0.75 HXF G5ZY
2	055822	2	CS .375-16X0.75 HX G5 ZY
3	704718	2	FW .406X .688X.060 ZNYC
4	124128-1	2	FUEL TANK STRAP
5	713198	30"	SEAL 3/8x3/4 SOLD BY FT
6	603807	1	CAP, 3.5" RATCHETING GAS
7	606525	1	FUEL TANK,
8	033001	4"	FLEXIBLE TRIM UNI-GRIP
9	121234	1	FUEL NECK DOUBLER
10	016899	2	NT .375-16 FLKG5
11	605610	1	VAPOR LINE, 3/16 FORMED
12	047456	1	GM .750X.188X1.00X.12
13	605690	1	TEE, 3/16" PLASTIC
14	605564	1	BOOT, 3/16 TO 3/16
15	604323	1	FILTER, VAPOR SYSTEM

Comments for Page: Fuel System

WEATHERSTRIP & TRIMLENGTHSA: 2.5 cmB: 18 cmC: 10 cm



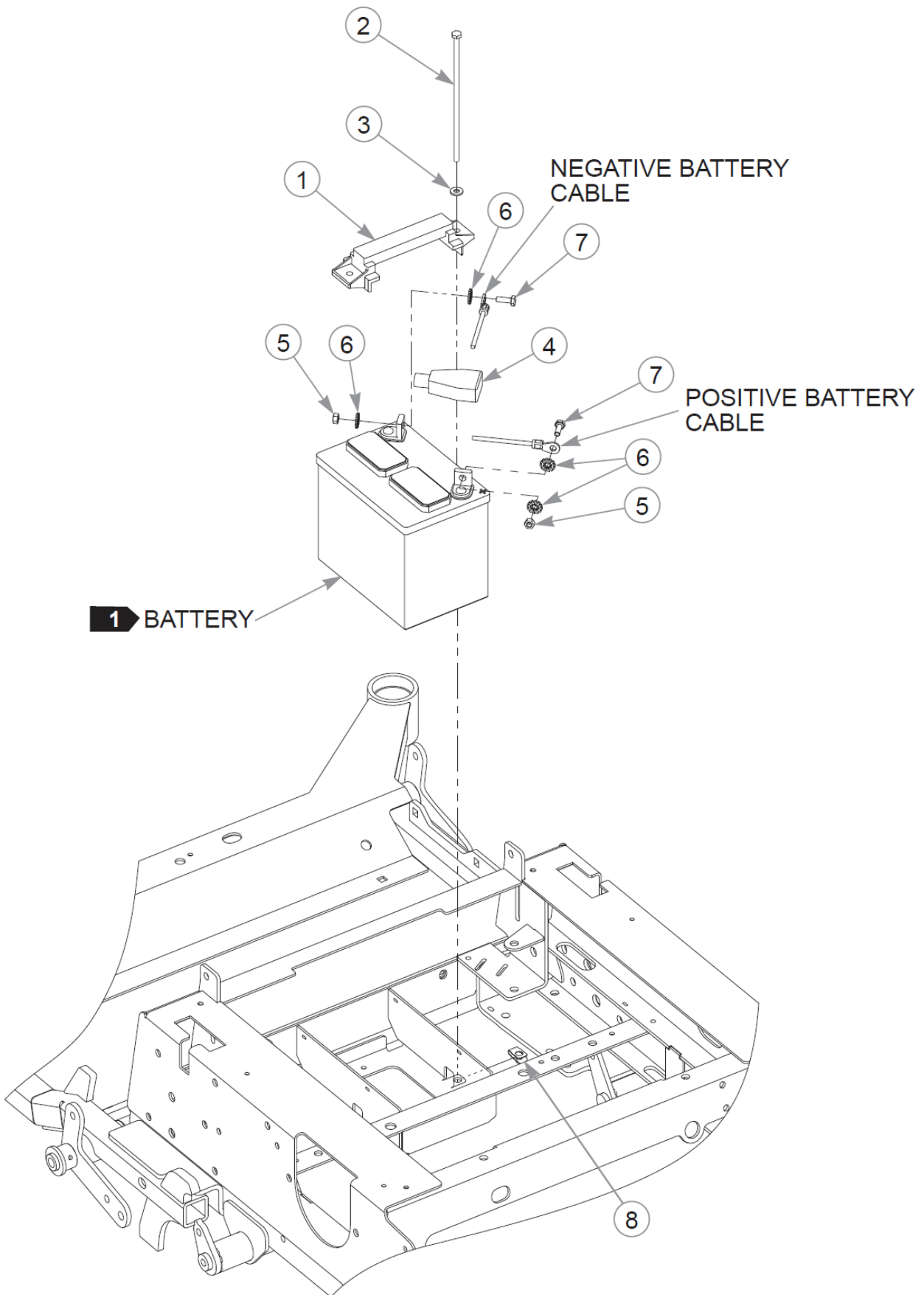
Elemento	Parte n.	Q.ta	Nome
1	776476	1	SWITCH, PTO 6201-321
2	605483	1	GAUGE, FUEL/HOURMETER
3	045898	1	IGNITION SWITCH
4	785808	1	KEY ASSEMBLY
5	797308	1	SWITCH, ROCKER SPDT
6	768515	12	FW 0.281SAE
7	068551	4	NT .250-20 HXZY NL
8	605553	1	CONTROLLER
9	601098	6	CB 10-24 X .500 ZYNC
10	606225	1	DECAL INST PANEL FU
11	552925	1	SVC, INSTRUMENT PANEL
12	055939	4	CS .250-20X0.75 HX G5 ZY
13	029629	2	CS .375-16X0.75 HXF G5ZY
14	000331	2	WIRE TIE, SMALL/SHORT
15	794784	4	CB .250-20 X .75 FUL ZN
16	120673	1	FENDER BRACKET, RH
17	024927	4	NT .250-20HXG5
18	121258	1	FUSE BRKT
19	704932	6	FW 0.219X.50X.05 ZY
20	059832	6	NT #10-24 HX NL ZN
21	601096	1	CABLE, THROTTLE
22	016899	2	NT .375-16 FLKG5
23	601097	1	CABLE, CHOKE
24	604324	5	CS .250-20 X .75 HX FLG
25	605473	4	CS .250-20X0.75 BH TX BZ
26	605628	4	FW 0.281X.63X.07 ZB
27	605525	1	RH FENDER
28	808477	4	RIVET NUT, 1/4-20 THREA
29	605526	1	LH FENDER
30	120785	1	RESERVOIR MOUNT
31	601982	1	CN .250-20X .150 MAX THK
32	120674	1	FENDER BRACKET, LH
33	601981	1	DECAL, SAFE OPERATE-GRAY
34	605681	1	DECAL, KICK PAN RFU
35	605554	1	WIRE HARNESS ADAPTER
36	114052	1	KIT, CLUTCH CONN. REP.
37	601047	1	HOLDER, FUSE
38	601053	2	RELAY, SEALED W/BRACKET



Elemento	Parte n.	Q.ta	Nome
39	605547	1	WIRE HARNESS
40	797282	1	BREAKER, 15AMP

Comments for Page: Instrument Panel, Wire Harness & Fenders (Multi-Page)

1. Part of the wire harness.
2. The instrument panel (552925) includes the decal (605645).
3. The sealed relay (601053) includes a bracket.

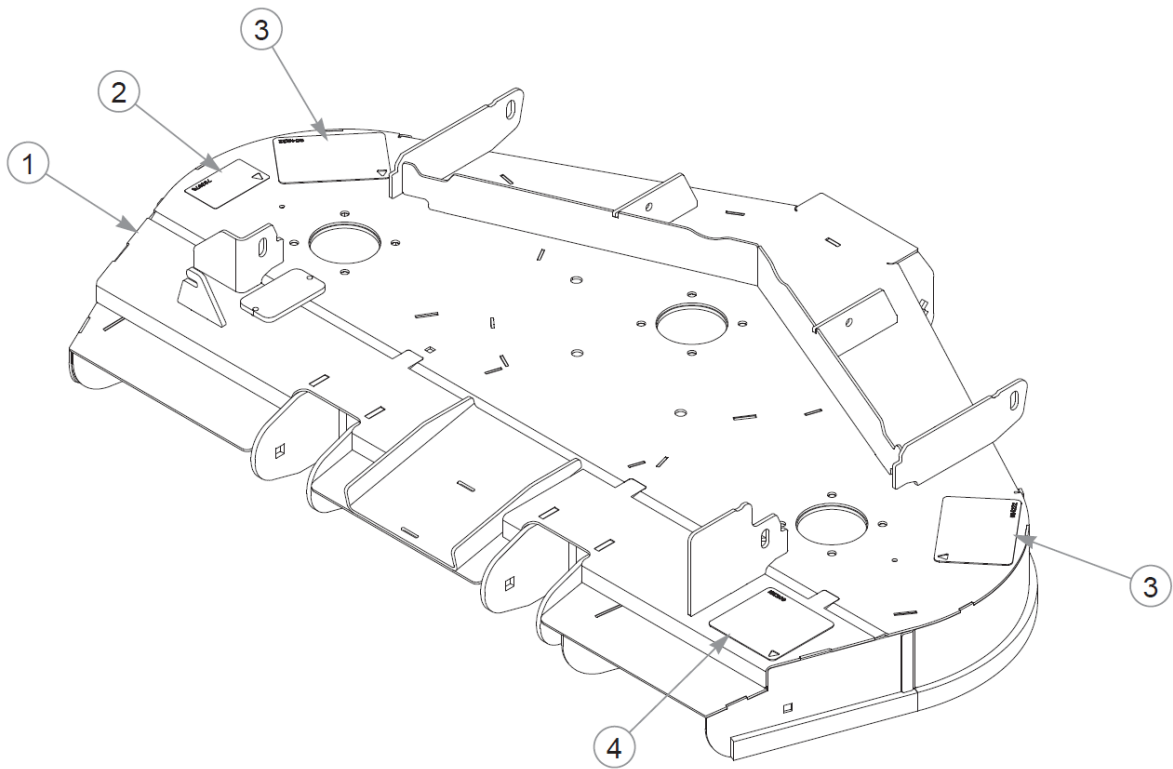


Battery

Elemento	Parte n.	Q.ta	Nome
1	604178	1	STRAP, TIE DOWN
2	604465	2	CS .250-20X7.50 HX G5 ZC
3	768515	2	FW 0.281SAE
4	771428	1	BATTERY CBL BOOT-RED(FS)
5	024927	2	NT .250-20HXG5
6	029868	4	LW .250 INTEXT ZY
7	055939	2	CS .250-20X0.75 HX G5 ZY
8	601982	2	CN .250-20X .150 MAX THK
9	000331	2	WIRE TIE, SMALL/SHORT

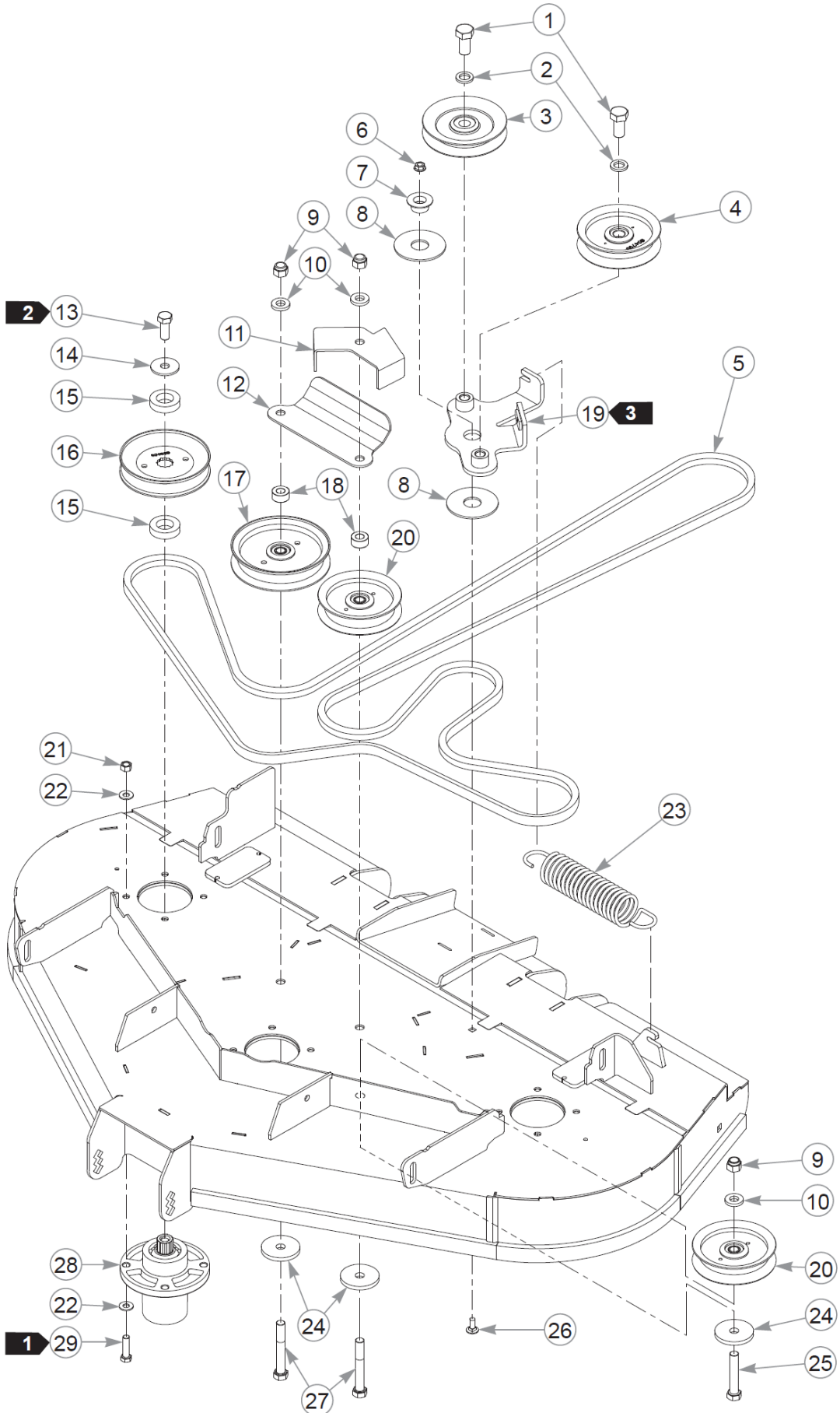
Comments for Page: Battery

1. When performing service on the mower, disconnect the negative battery cable and do not reconnect it to the battery until ready to start the engine.



Service Deck

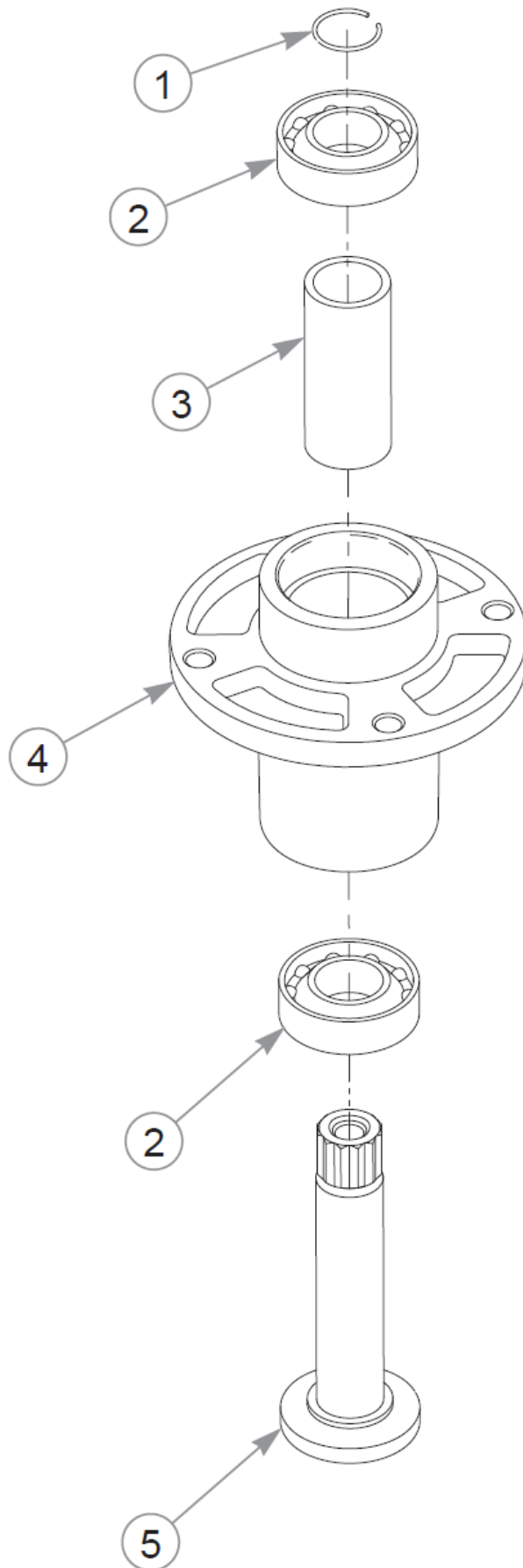
Elemento	Parte n.	Q.ta	Nome
1	552601	1	SVC, DECK DECAL 48" RD
2	793976	1	DECAL,48"DECK ID
3	604222	2	DECAL, DANGER / OBJECTS
4	605251	1	DECAL, BELT ROUTING



Elemento	Parte n.	Q.ta	Nome
1	781872	2	CS .625-11X1.250HXG5
2	028118	2	FW 0.625X1.00X.13 ZY
3	603785	1	IDLER, V 4.9" OD
4	604795	1	PULLEY, IDLER FLAT 4.00"
5	602078	1	DECK BELT
6	016832	1	NT .312-18HXG5
7	605238	1	PIVOT BUSHING
8	605505	2	BEARING DISC, UHMW
9	781567	3	NT .500-13NLG5
10	767962	3	FW .531 x 1.063 x .175
11	122739	1	FLIP UP GUARD
12	120005	1	BELT GUIDE, DUAL
13	705954	3	CS .500-13X1.25 HX G5 ZY
14	798603	3	FW .515X1.65X.12 HD ZY
15	604661	6	SPACER, SPINDLE PULLEY
16	604665	3	PULLEY, DECK DRIVE B-SEC
17	604231	1	PULLEY, IDLER 5.00" O.D.
18	605285	2	SPACER, BELT GUIDE
19	120006	1	IDLER ARM DUAL PIVOT W/A
20	604219	2	IDLER PULLEY, 4.00" FLAT
21	054502	12	NT .375-16HXG5
22	767954	24	FW 0.379X.82X.06 HD ZY
23	605497	1	SPRING, DECK IDLER
24	605516	3	FW .531 x 2.25 x .25 ZNY
25	721910	1	CS .500-13X2.750HXG5
26	016253	1	CB .312-18X .750 FUL ZN
27	061812	2	CS .500-13X3.50 HX G5 ZY
28	601804	3	SPINDLE ASSEMBLY
29	005116	12	CS .375-16X1.38 HX G5 ZY

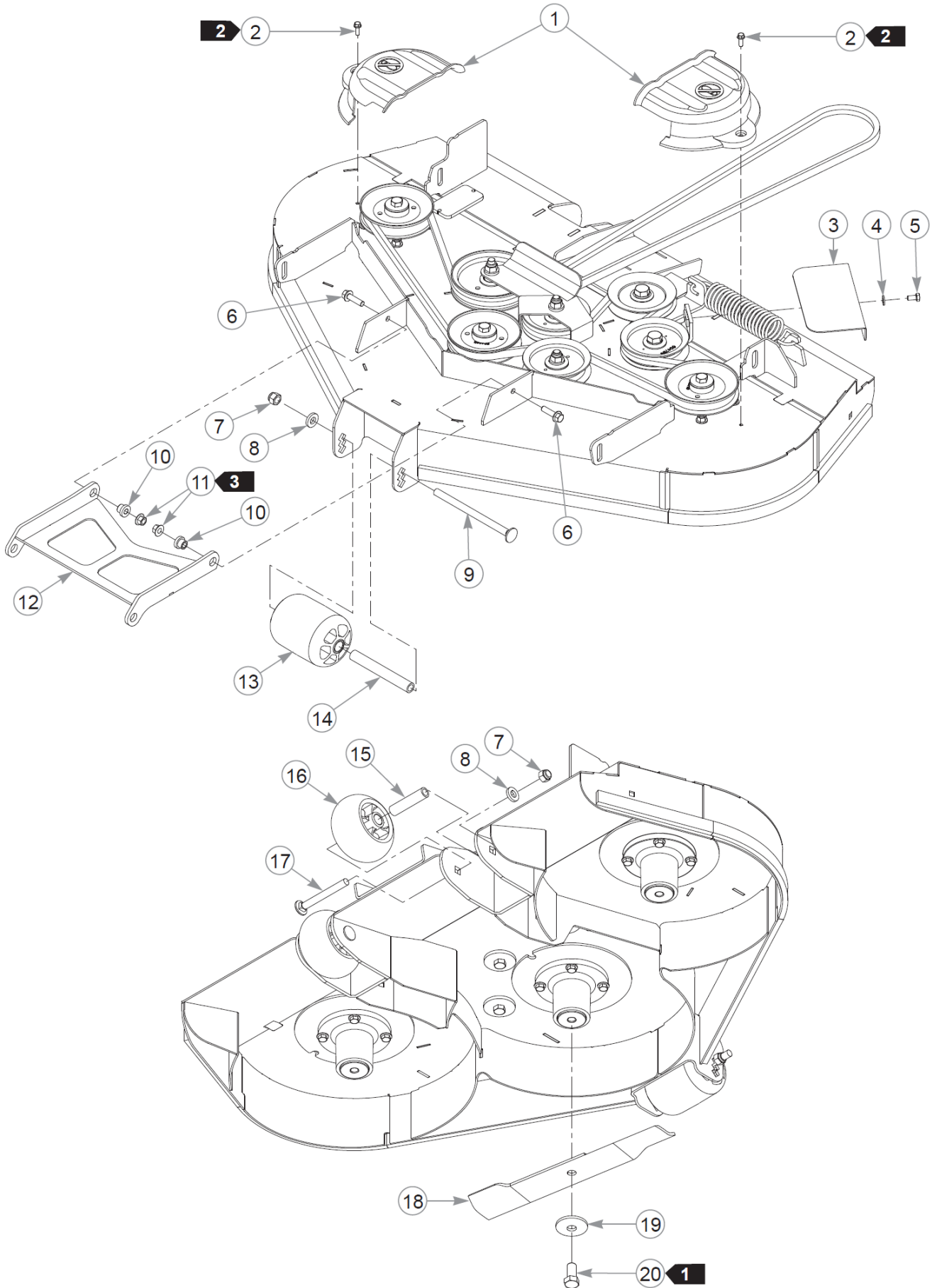
Comments for Page: 48" Rear Discharge Deck Belt, Pulleys & Spindles

1. Torque to 41 N•m.
2. Torque to 99 N•m.
3. The idler arm must pivot freely.



Spindle Service Parts - 601804

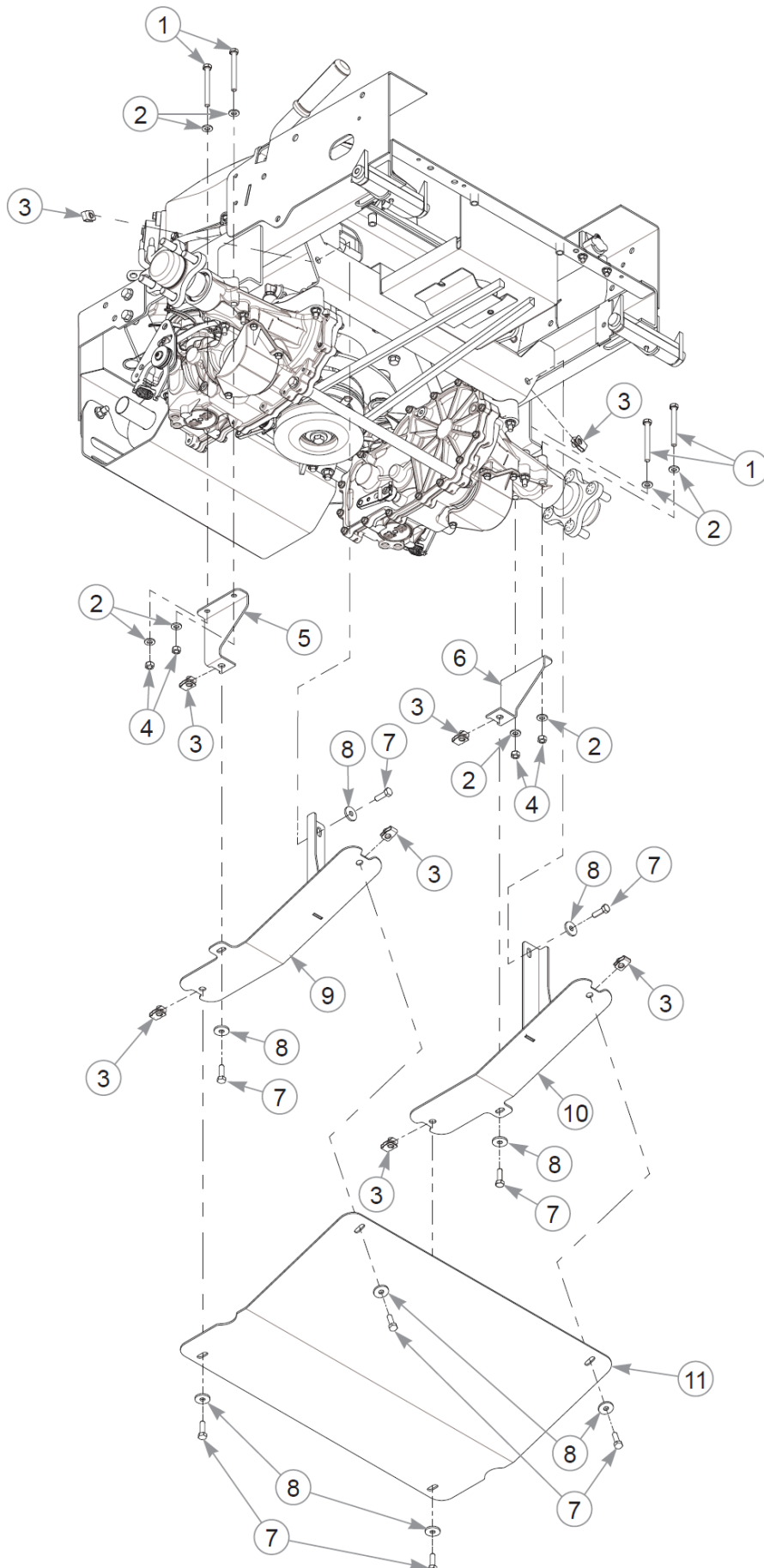
Elemento	Parte n.	Q.ta	Nome
Not Shown	601804	1	SPINDLE ASSEMBLY
1	783548	1	RING, BLADE SPINDLE RET
2	601827	2	BEARING, 6205 2RST C3
3	601830	1	SPACER, BLADE SPINDLE
4	601828	1	HOUSING, BLADE SPINDLE
5	601829	1	SHAFT, BLADE SPINDLE



Elemento	Parte n.	Q.ta	Nome
1	605453	2	PULLEY COVER, 48" DECKS
2	604324	2	CS .250-20 X .75 HX FLG
3	121120	1	SHIELD, PIVOT IDLER 48"
4	768523	1	FW 0.343SAE
5	064006	1	CS .312-18X0.625HXG5
6	605532	2	CS .375-16X1.38 HXFG5ZY
7	781567	3	NT .500-13NLG5
8	767962	3	FW .531 x 1.063 x .175
9	602338	1	CB .50-13 X 7.50 STD ZN
10	605659	2	PIVOT SPACER BUSHING
11	604515	2	NT .375-16 FL NY GF
12	121446	1	PULLER W/A, FLIP-UP
13	602341	1	WHEEL, ANTI-SCALP
14	602344	1	SPACER, ANTI- SCALP 5.73
15	602345	2	SPACER, ANTI-SCALP 3.22
16	602263	2	WHEEL, ANTI-SCALP
17	602339	2	CB .50-13 X 4.50 STD ZN
18	601123	3	BLADE, 16.50"-L-F-CW
Not Shown	601014	3	BLADE, F16.50"-L-F-CW
Not Shown	796623	3	BLADE, 16.50"-MUL-F-CW
Not Shown	796631	3	BLADE, 16.50"-GAT-F-CW
19	782474	3	CW .678 X 2.250 X .187
20	781872	3	CS .625-11X1.250HXG5

Comments for Page: 48" Rear Discharge Deck Blades, Covers

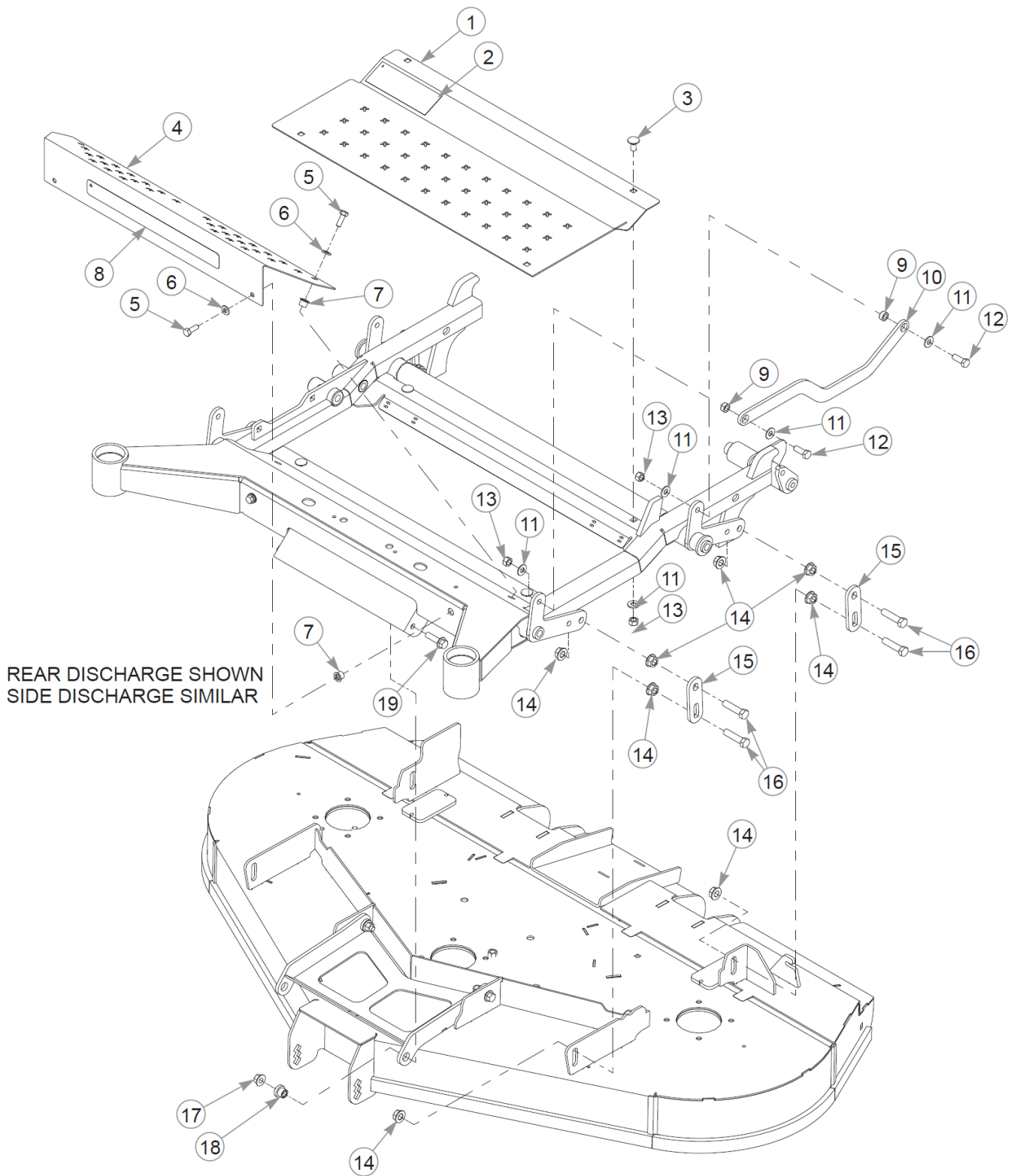
1. Torque to 160 N•m.
2. Torque to 3–7 N•m on these 2 self-tapping screws.
3. Do not torque; the puller must pivot freely.



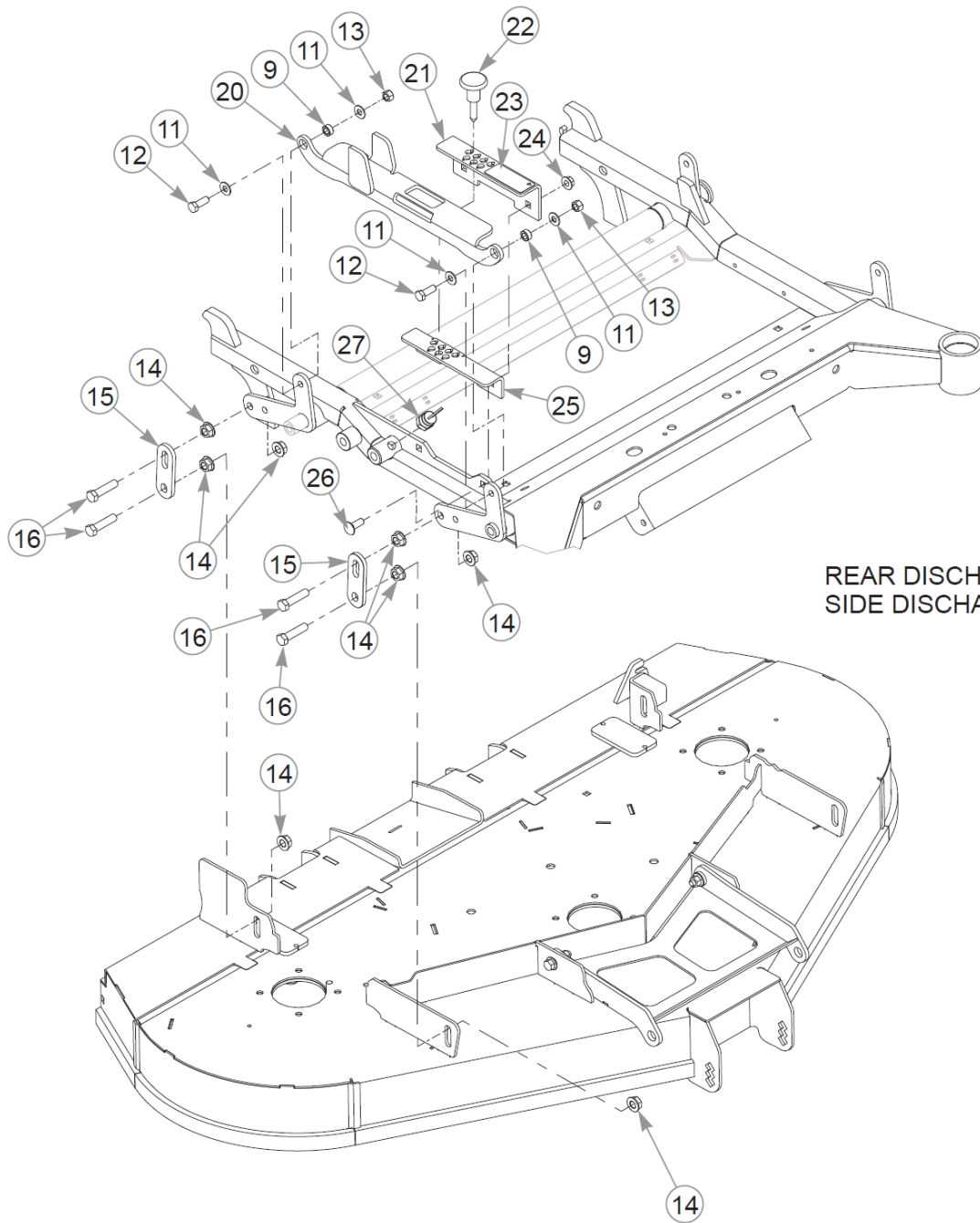
Rear Discharge Deck Shield

48" Raptor Flip-Up Parts Manual - 938860CE - HTRFUR048KAWFR691VC

Elemento	Parte n.	Q.ta	Nome
1	043067	4	CS .312-18X3.000HXG5
2	768523	8	FW 0.343SAE
3	601069	8	CN .312-18x.200 MAX THK
4	034272	4	NT .312-18HXG5
5	123473	1	FLIP UP BRACKET RS
6	123474	1	FLIP UP BRACKET LS
7	036236	8	CS .312-18X1.250HXG5
8	712927	8	FW 0.344X1.00X.12 HD ZY
9	123475	1	MOUNT PLATE W/A RS
10	123476	1	MOUNT PLATE W/A LS
11	123477	1	FLIP UP SHIELD



Elemento	Parte n.	Q.ta	Nome
1	553005	1	SVC, FLOOR PAN RFU
2	606128	1	DECAL QUICKFLIP
3	011320	4	CB .375-16X .750 STD ZN
4	552926	1	SVC, FOOTREST RFU
5	064014	4	CS .312-18X0.875HXG5
6	768523	4	FW 0.343SAE
7	808485	4	RIVET NUT, 5/16-18 THRE
8	602407	1	DECAL, HUSTLER ID
9	118900	4	SPACER, DECK LIFT LINK
10	118896	1	DECK LIFT LINK
11	767954	12	FW 0.379X.82X.06 HD ZY
12	036244	4	CS .375-16X1.00 HX G5 ZY
13	054502	8	NT .375-16HXG5
14	704643	16	NT .437-14FLKG5
15	124354-1	4	DECK LIFT LINK
16	055749	8	CS .437-14X1.750HXG5
17	604515	2	NT .375-16 FL NY GF
18	605659	2	PIVOT SPACER BUSHING
19	605532	2	CS .375-16X1.38 HXFG5ZY
20	118893	1	W/A, CUT HT. INDICATOR
21	552927	1	SVC, CUT HT, BRKT OUTER
22	607039	1	PIN, .375X1.62 MAGNETIC
23	605685	1	DECAL, DECK HEIGHT
24	016899	2	NT .375-16 FLKG5
25	118897	1	CUT HT. BRKT INNER
26	025395	2	CB .375-16X 1.00 G5 ZNY
27	605239	1	BALL SWITCH, N.O.
Not Shown	000331	4	WIRE TIE, SMALL/SHORT

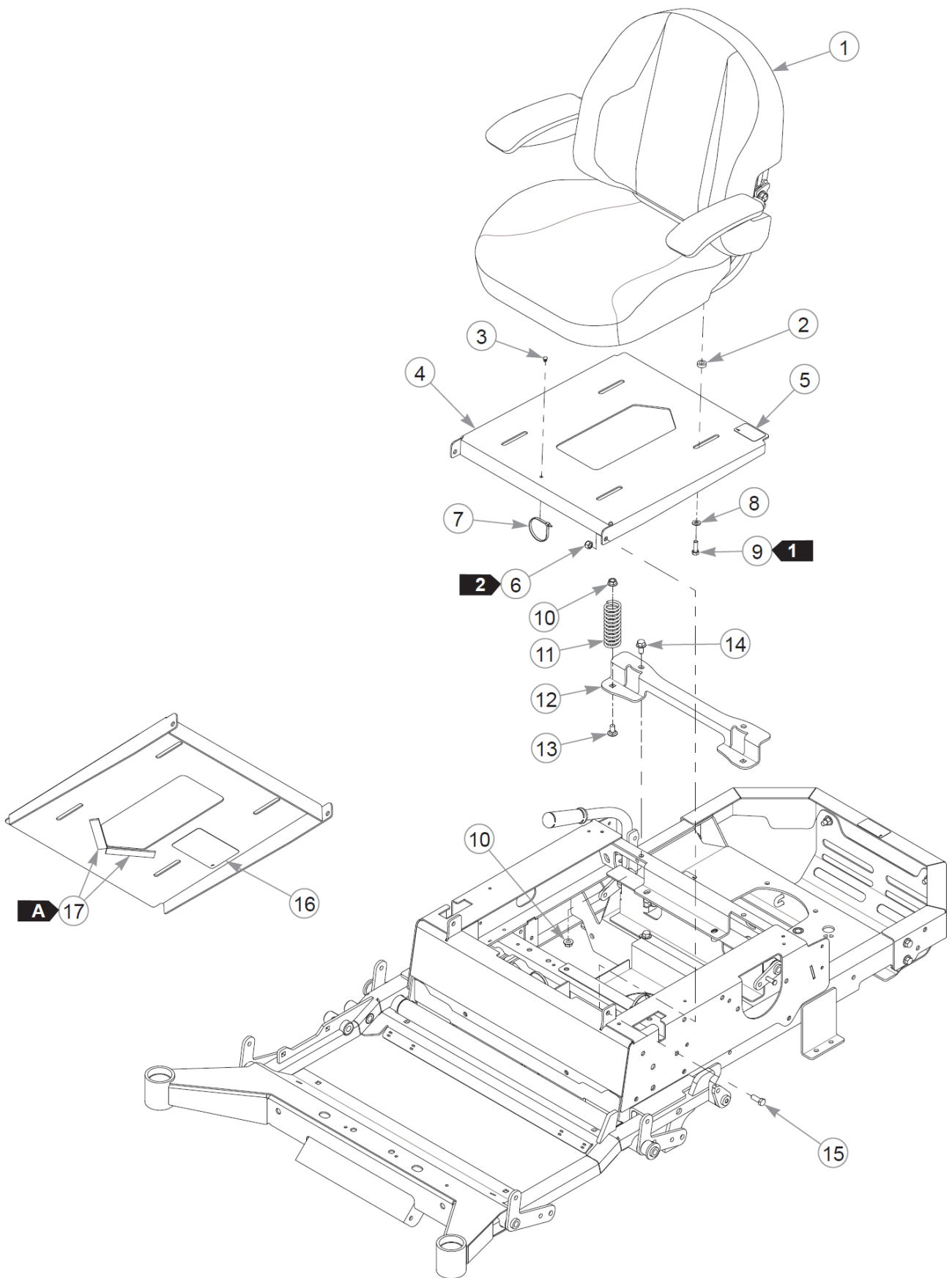


REAR DISCHARGE SHOWN
SIDE DISCHARGE SIMILAR

Deck Carrier (Multi-Page)

Comments for Page: Deck Carrier (Multi-Page)

1. The floor pan and outer cutting height bracket include decals.



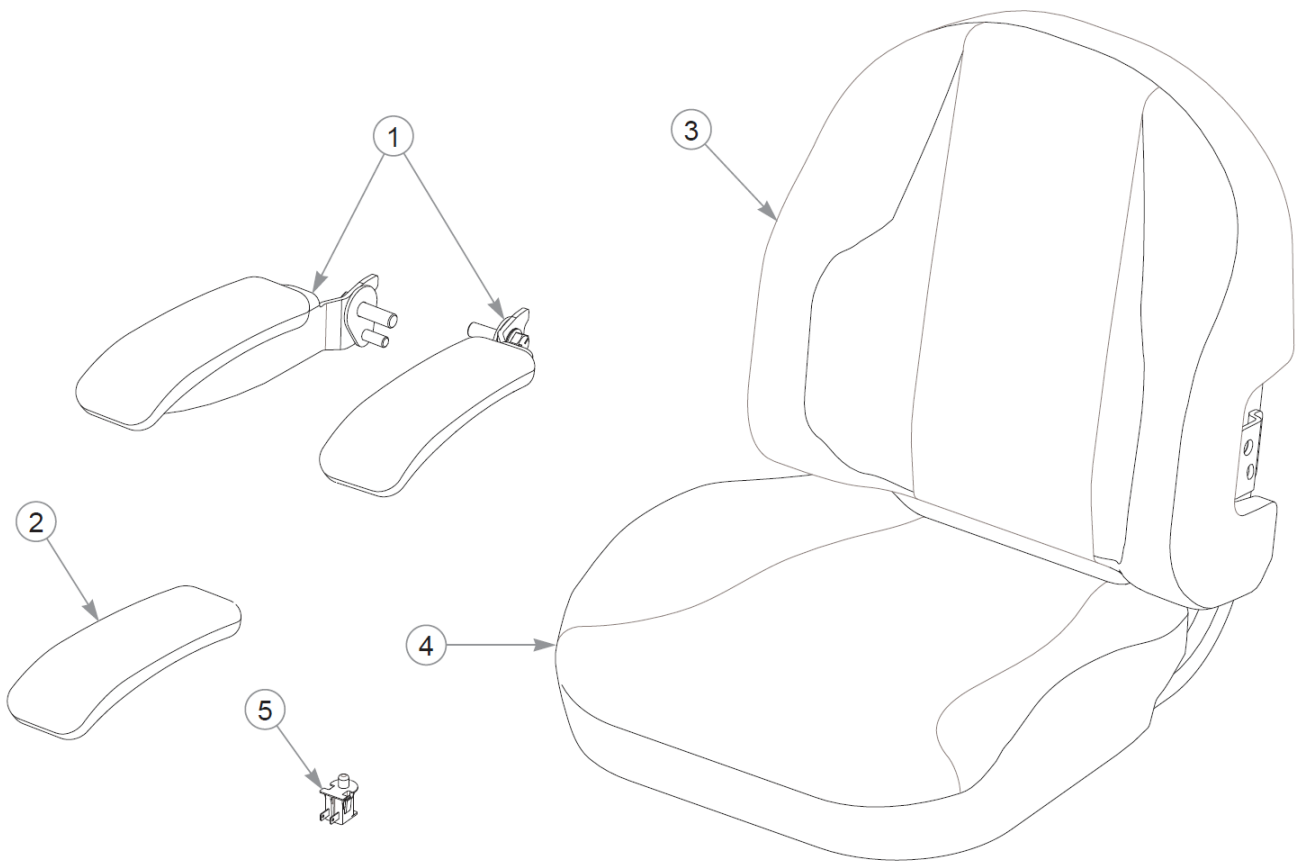
Elemento	Parte n.	Q.ta	Nome
1	607347	1	SEAT, SEATS INC 907
2	073858	4	FW .406X .750X.250 ZNYC
3	604307	1	MOUNT, PUSH BUTTON
4	552924	1	SVC, SEAT PAN RFU
5	605782	1	DECAL, LEVEL FUEL BLOWM
6	086660	2	NT .375-16NLG8
7	000331	1	WIRE TIE, SMALL/SHORT
8	768523	4	FW 0.343SAE
9	036236	4	CS .312-18X1.250HXG5
10	016899	4	NT .375-16 FLKG5
11	793851	2	SPRING,COMP 1.25X4.00X.
12	123911-1	1	SPRING MOUNT BRACKET
13	011320	2	CB .375-16X .750 STD ZN
14	029629	2	CS .375-16X0.75 HXF G5ZY
15	036244	2	CS .375-16X1.00 HX G5 ZY
16	601815	1	DECAL, BATTERY WARNINGS
17	033035	2	WEATHERSTRIP .12X.75

Comments for Page: Seat - S/N 19090579 & Higher

1. Torque to 12–19 N•m.
2. Do not torque; the seat pan must pivot freely.
3. The seat pan includes the decal.

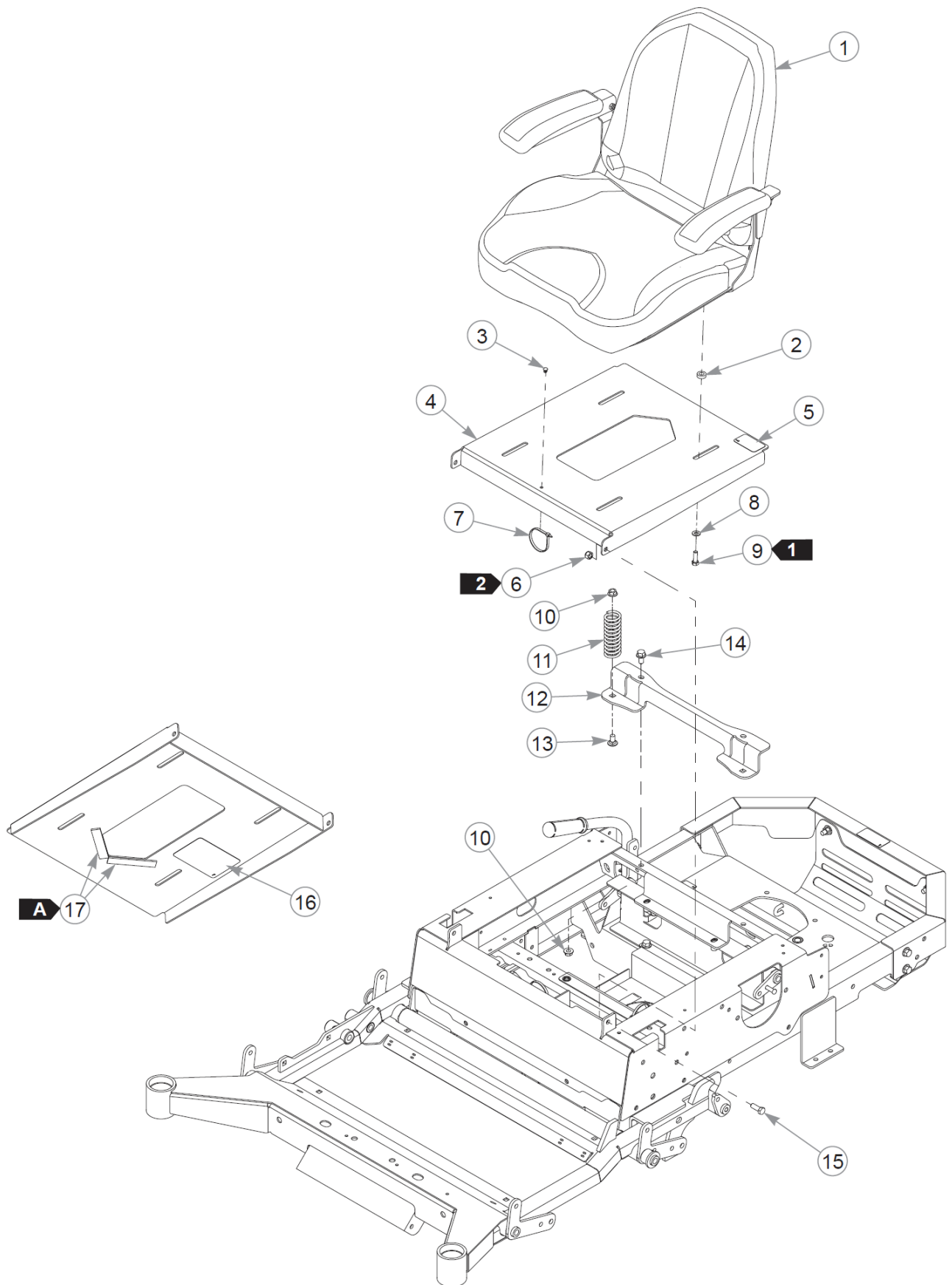
WEATHERSTRIP LENGTH

A: 4.0 "



Seat Service Parts - 607347

Elemento	Parte n.	Q.ta	Nome
1	607166	1	SVC, ARM REST KIT
2	606081	1	SVC, ARM PADS
3	607348	1	SVC, SEAT BACK COVER
4	607349	1	SVC, SEAT CUSHION COVER
5	606082	1	SVC, OPS



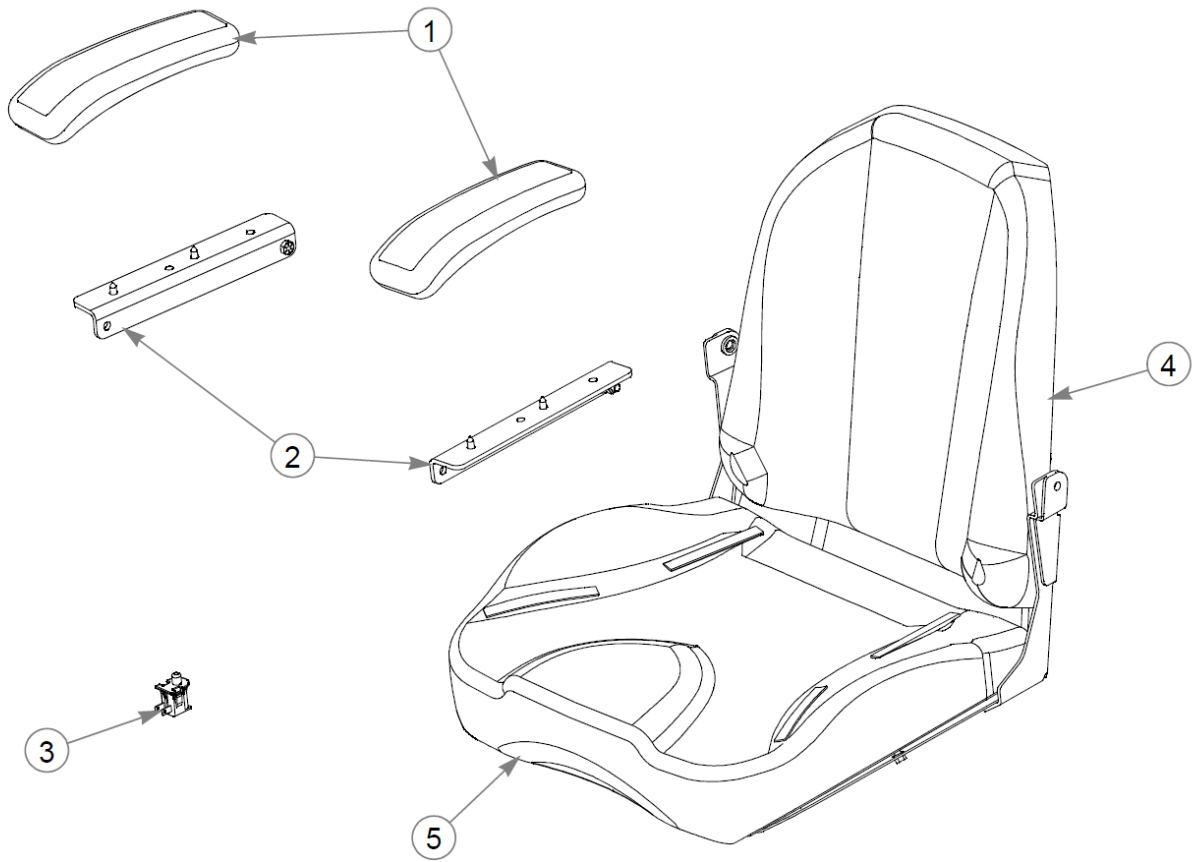
Elemento	Parte n.	Q.ta	Nome
1	606077	1	SEAT, SEATS INC 907
2	073858	4	FW .406X .750X.250 ZNYC
3	604307	1	MOUNT, PUSH BUTTON
4	552924	1	SVC, SEAT PAN RFU
5	605782	1	DECAL, LEVEL FUEL BLOWM
6	086660	2	NT .375-16NLG8
7	000331	1	WIRE TIE, SMALL/SHORT
8	768523	4	FW 0.343SAE
9	036236	4	CS .312-18X1.250HXG5
10	016899	4	NT .375-16 FLKG5
11	793851	2	SPRING,COMP 1.25X4.00X.
12	123911-1	1	SPRING MOUNT BRACKET
13	011320	2	CB .375-16X .750 STD ZN
14	029629	2	CS .375-16X0.75 HXF G5ZY
15	036244	2	CS .375-16X1.00 HX G5 ZY
16	601815	1	DECAL, BATTERY WARNINGS
17	033035	2	WEATHERSTRIP .12X.75

Comments for Page: Seat - S/N Prior to 19090579

1. Torque to 9.5 N•m.
2. Do not torque; the seat pan must pivot freely.
3. The seat pan includes the decal.

WEATHERSTRIP LENGTH

A: 4.0 "



606077 Seat Service Parts

Elemento	Parte n.	Q.ta	Nome
Not Shown	606077	1	SEAT, SEATS INC 907
1	606081	2	SVC, ARM PADS
2	606085	1	SVC, ARMEST SET
3	606082	1	SVC, OPS
4	606083	1	SVC, BACK CUSHION
5	606084	1	SVC, SEAT CUSHION

Comments for Page: 606077 Seat Service Parts

1. The arm bracket kit includes right and left side brackets.