

Hustler® Raptor CE Parts Manual

General Information	1
Frame, Fenders & Instrument Panel	
36" Frame	3-1
42" Frame	3-2
Fenders & Instrument Panel	3-3
Transmissions & Steering	
Hydraulic System	4-1
Transmission Assembly	4-2
Transmission Service Parts - Right Side	4-3
Transmission Service Parts - Left Side	4-4
Steering & Brake—S/N 16025348 & Higher	4-5
Steering & Brake - S/N Prior to 16025348	4-6
Steering Cover Assembly	4-7
Wheels & Tires	
Wheel & Tire - 36" Mowers	5-1
Wheel & Tire - 42" Mowers	5-2
Front Wheel Breakdown	5-3
Drive Wheel Breakdown - 36" Mowers	5-4
Drive Wheel Breakdown - 42" Mowers	5-5
Engine & Fuel System	
Engine (PG 1 of 2)	6-1
Engine (PG 2 of 2)	6-2
Engine Service Parts	6-3
Fuel System	6-4
Battery	
Battery	7-1
Deck	
36" Service Deck	8-1
36" Deck Pulleys & Spindles	8-2
36" Deck	8-3
36" Guards - S/N Prior to 16018149	8-4
42" Service Deck	8-5
42" Deck Pulleys & Spindles—S/N 1601A762 & Higher	8-6
42" Deck Pulleys & Spindles - S/N Prior to 1601A762	8-7
42" Deck	8-8
36"/42" Deck Lift	8-9
Spindle Assembly	8-10
Seat	
Seat	9-1
Appendix A:Pages Index	A
Appendix B:Parts Index	B

General Information

This manual covers Hustler® Raptor models **932277CE & 933382CE**.

Service Literature

PART NO.	DESCRIPTION
604220CE	OPERATOR'S MANUAL
117371EX	WARRANTY STATEMENT
117373	GENERAL SERVICE MANUAL

Options Available From Your Dealer

PART NO.	DESCRIPTION
119937	36" MULCH KIT
117578	42" MULCH KIT
333724	STEERING LEVER EXTENSION KIT
933010	2 BAG CATCHER
604436	ARM REST KIT
117703	HOUR METER KIT
799288	FLEX FORKS KIT
117682	LIGHT KIT
119818	ENGINE GUARD KIT

Note: When ordering parts, you must use the part number as shown for each part, not the index number. Always give the model and serial number to your parts and service representative.

Note: Items sold in bulk such as seals and hoses are sold by the foot.

Using This Manual

This manual is part of a service package for the Hustler® mowers. Use of this manual in conjunction with other Hustler® mower and component manuals will provide the information necessary to service and maintain Hustler® mowers.

This Parts Manual provides a complete parts listing for the unit. Use this manual when ordering parts. Illustrations used were current at the time of printing, but subsequent production changes may cause your machine to vary slightly in detail. Excel Industries, Inc. reserves the right to redesign and change the machine as deemed necessary, without notification. If a change has been made to your machine which is not reflected in this parts manual, see your authorized dealer for current information and parts.

The Service Manual is a service guide for use by Service Technicians. It provides the necessary information needed to perform normal maintenance requirements on these units.

The Operator's Manual provides fundamental operational information and operational safety that is needed when operating the mower.

The component manuals are furnished by the various manufacturers to be used for the troubleshooting and servicing of their products.

Hardware Description Codes & Abbreviations

The following codes are used throughout this parts manual. Refer to this list when ordering parts.

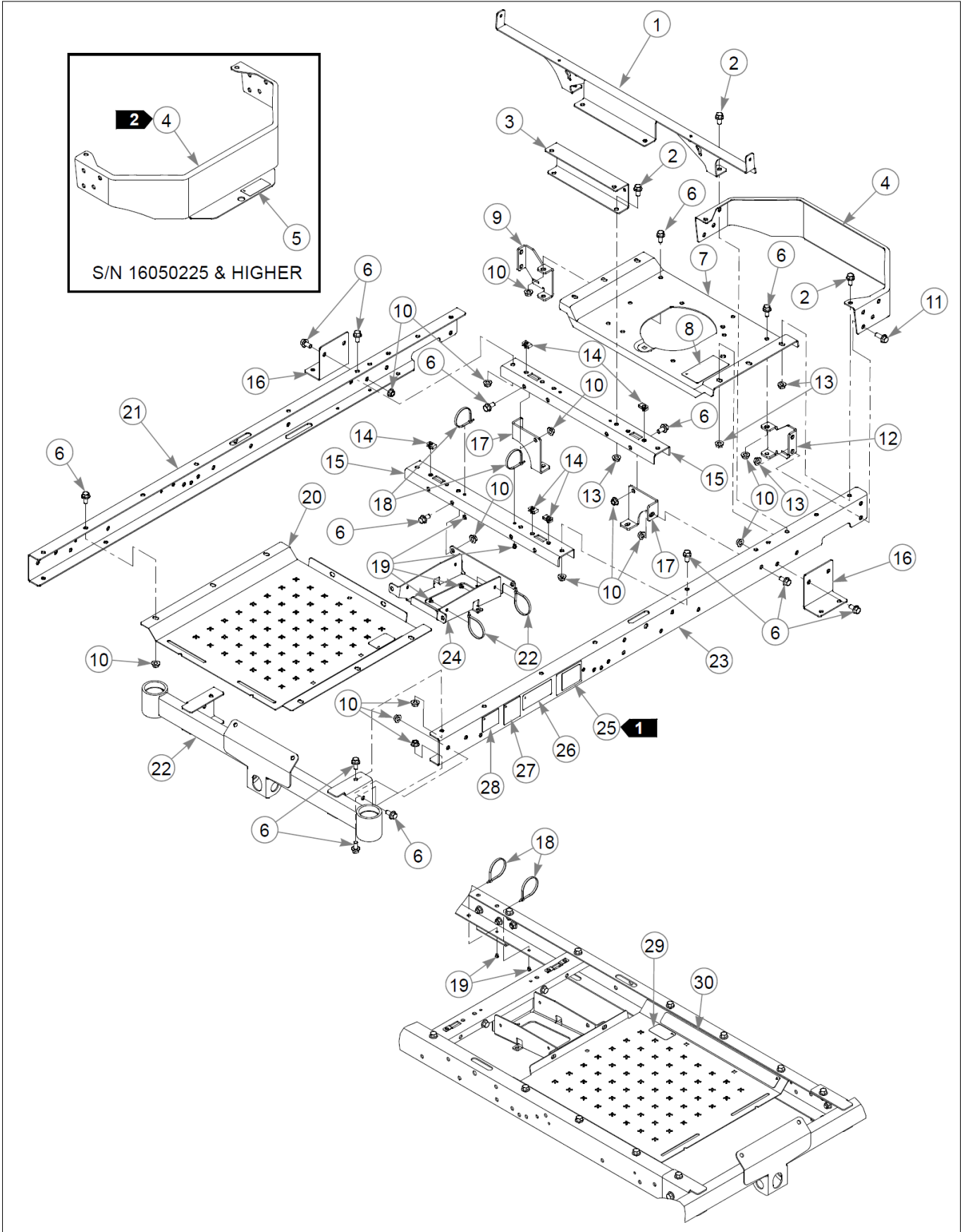
ABBREVIATION	DESCRIPTION	ABBREVIATION	DESCRIPTION
CB	CARRIAGE BOLT	MB	MACHINE BUSHING
CE	CLEVIS PIN	MS	MACHINE SCREW
CN	CLIP NUT	NT	NUT
CP	COTTER PIN	SC	SELF TAPPING CAP SCREW
CS	CAP SCREW	SH	SOCKET HEAD
CW	CUP WASHER	SB	SHOULDER BOLT
FDRW	FENDER WASHER	SS	SET SCREW
FW	FLAT WASHER	OD	OUTSIDE DIAMETER
HX	HEX HEAD	ID	INSIDE DIAMETER
LW	LOCK WASHER		

Standard Torques

The following chart lists the standard torque values for the threaded fasteners found in this manual. Torque all cap screws, nuts and set screws to these values unless a different torque is shown in the Notes section next to the fastener.

SIZE	FT-LBS	N-M	SIZE	FT-LBS	N-M
.250	8.2	11.1	M3	1	1.3
.312	17	23	M4	2.2	3
.375	30	40	M5	4.5	6.1
.438	48	65	M6	7.7	10.4
.500	73	99	M8	18.5	25
.562	105	143	M10	37	50
.625	145	200	M12	64	87
.750	260	350	M14	80	108.5
.875	420	565	M16	160	215
1.00	625	850	M20	320	435
			M24	555	750

Frame, Fenders & Instrument Panel



Item	Part No.	Name	Qty	Uom
1	123637-3	SEAT SUPPORT	1	EA
2	029629	CS .375-16X0.75 HXF G5ZY	6	EA
3	123636-3	SPRING SUPPORT	1	EA
4	553148	SERVICE, BUMPER STAMPED	1	EA
Not Shown	551857	SVC, BUMPER	1	EA
5	602041	DECAL, HOT	1	EA
6	604176	CS .375-16X.75 HXF NF	30	EA
7	551858	SVC, ENGINE PLATE	1	EA
8	600899	DECAL, PUMP BELT WARNING	1	EA
9	551859	SVC, RS REAR BRKT	1	EA
10	604177	NT .375-16 HXFLK PLN	30	EA
11	029751	CS .375-16X1.00 HXF G5ZY	4	EA
12	551860	SVC, LS REAR BRKT	1	EA
13	016899	NT .375-16 FLKG5	10	EA
14	601982	CN .250-20X .150 MAX THK	5	EA
15	551861	SVC, CROSS SUPPORT	2	EA
16	551863	SVC, HYDRO BRKT	2	EA
17	551862	SVC, FRONT BRKT	2	EA
18	000331	WIRE TIE, SMALL/SHORT	6	EA
19	604307	MOUNT, PUSH BUTTON	6	EA
20	551865	SVC, FOOT PAN	1	EA
21	119718	SVC, RS FRAME CHANNEL	1	EA
22	552704	SVC, FRONT CROSS FRAME	1	EA
23	551868	SVC, LS FRAME CHANNEL	1	EA
24	552570	BATTERY TRAY	1	EA
25	N/A	SERIAL NUMBER / SPEC DECAL	1	EA
26	601967	DECAL, ENGINE COMPART	1	EA
27	794834CE	CE 100 DBA LIMIT DECAL	1	EA
28	776310	DECAL, CE MARK	1	EA

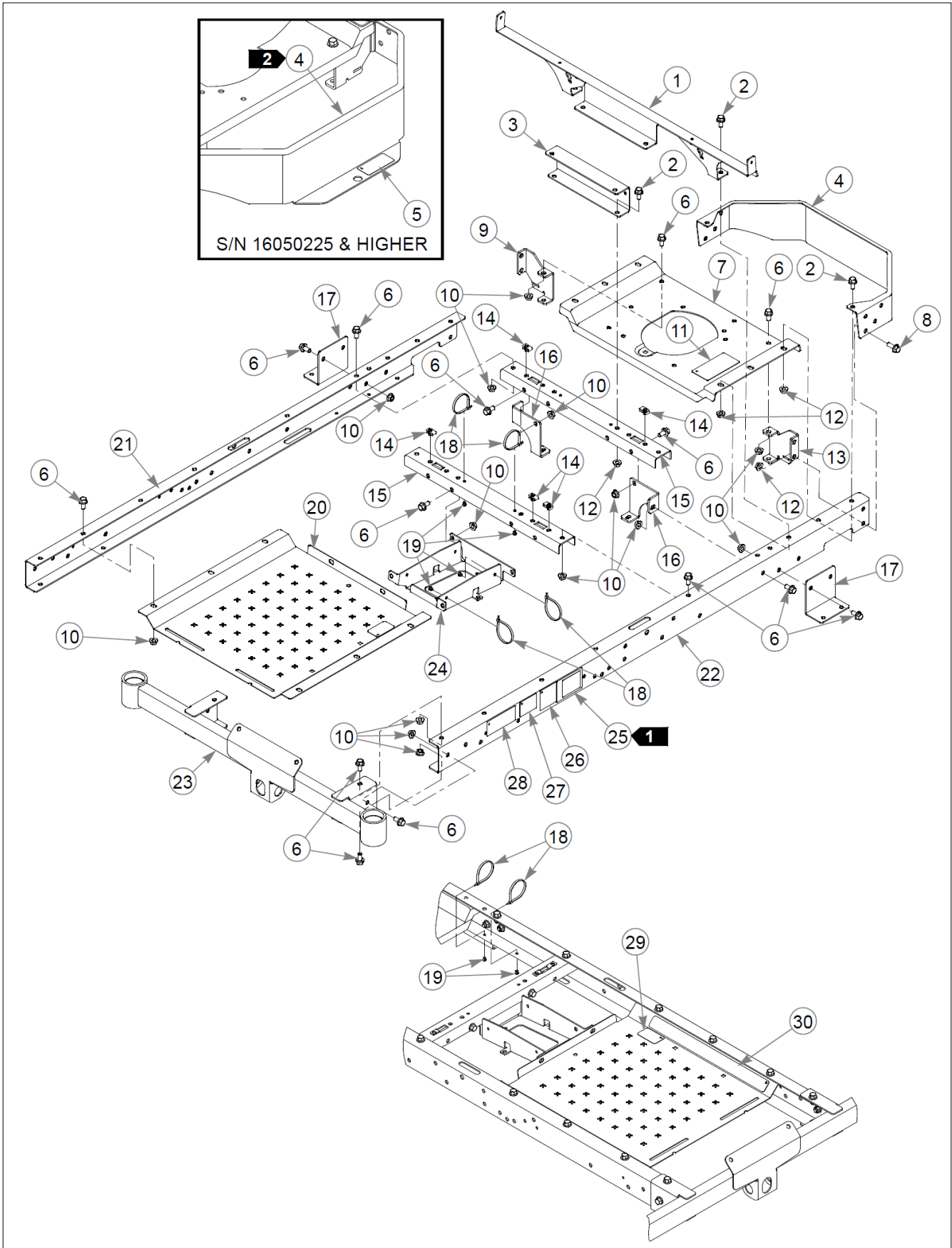
Item	Part No.	Name	Qty	Uom
29	605782	DECAL, LEVEL FUEL BLOWM	1	EA
30	601981	DECAL, SAFE OPERATE-GRAY	1	EA
31	604876	WIRE HARNESS	1	EA

Comments for Page: 36" Frame

jmumford@excelii.com on May 28, 2015

1. Serial number decal. In the event the serial number decal becomes damaged or illegible, please contact your dealer to order a replacement.
2. 553148 is used on mowers S/N 16050225 & higher. 551857 is used on mowers S/N prior to 16050225.
3. Torque all hardware to a minimum of 45 N•m.
4. The bumper, engine plate, foot pan and LS frame channel include decals.
5. The fuel fill level decal (605782) was located on the seat pan.

Frame, Fenders & Instrument Panel



Item	Part No.	Name	Qty	Uom
1	123637-3	SEAT SUPPORT	1	EA
2	029629	CS .375-16X0.75 HXF G5ZY	6	EA
3	123636-3	SPRING SUPPORT	1	EA
4	553148	SERVICE, BUMPER STAMPED	1	EA
Not Shown	551857	SVC, BUMPER	1	EA
5	602041	DECAL, HOT	1	EA
6	604176	CS .375-16X.75 HXF NF	30	EA
7	551858	SVC, ENGINE PLATE	1	EA
8	029751	CS .375-16X1.00 HXF G5ZY	4	EA
9	551859	SVC, RS REAR BRKT	1	EA
10	604177	NT .375-16 HXFLK PLN	30	EA
11	600899	DECAL, PUMP BELT WARNING	1	EA
12	016899	NT .375-16 FLKG5	10	EA
13	551860	SVC, LS REAR BRKT	1	EA
14	601982	CN .250-20X .150 MAX THK	5	EA
15	551861	SVC, CROSS SUPPORT	2	EA
16	551862	SVC, FRONT BRKT	2	EA
17	551863	SVC, HYDRO BRKT	2	EA
18	000331	WIRE TIE, SMALL/SHORT	6	EA
19	604307	MOUNT, PUSH BUTTON	6	EA
20	551865	SVC, FOOT PAN	1	EA
21	119718	SVC, RS FRAME CHANNEL	1	EA
22	551868	SVC, LS FRAME CHANNEL	1	EA
23	551867	SVC, FRONT CROSS FRAME	1	EA
24	552570	BATTERY TRAY	1	EA
25	N/A	SERIAL NUMBER / SPEC DECAL	1	EA
26	794834CE	CE 100 DBA LIMIT DECAL	1	EA
27	776310	DECAL, CE MARK	1	EA
28	601967	DECAL, ENGINE COMPART	1	EA

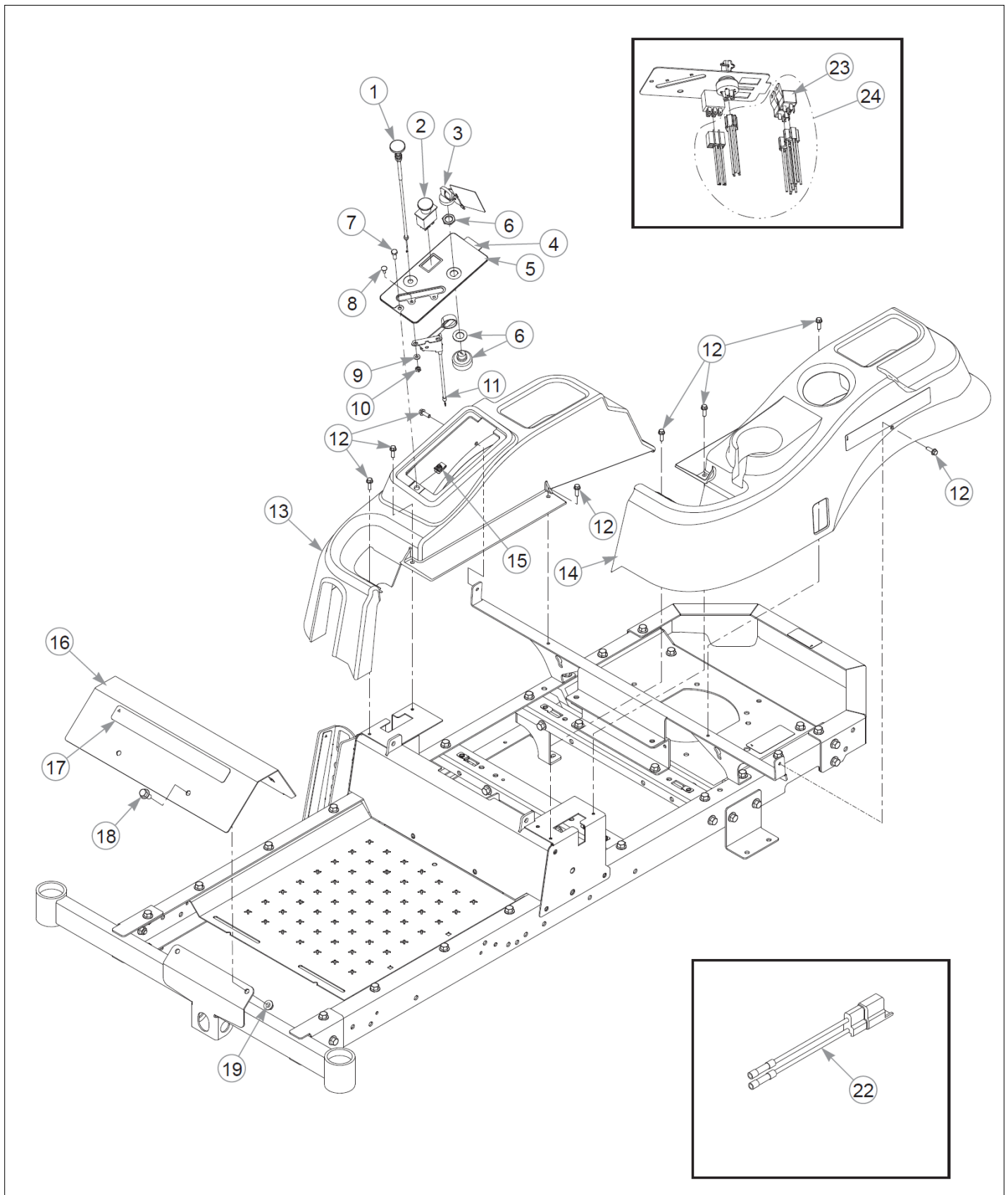
Item	Part No.	Name	Qty	Uom
29	605782	DECAL, LEVEL FUEL BLOWM	1	EA
30	601981	DECAL, SAFE OPERATE-GRAY	1	EA

Comments for Page: 42" Frame

jmumford@excelii.com on Apr 29, 2015

1. Serial number decal. In the event the serial number tag becomes damaged or illegible, please contact your dealer to order a replacement.
2. 553148 is used on mowers S/N 16050225 & higher. 551857 is used on mowers S/N prior to 16050225.
3. Torque all hardware to a minimum of 45 N•m.
4. The bumper, engine plate, foot pan and LS frame channel include decals.
5. The fuel fill level decal (605782) was located on the seat pan.

Frame, Fenders & Instrument Panel



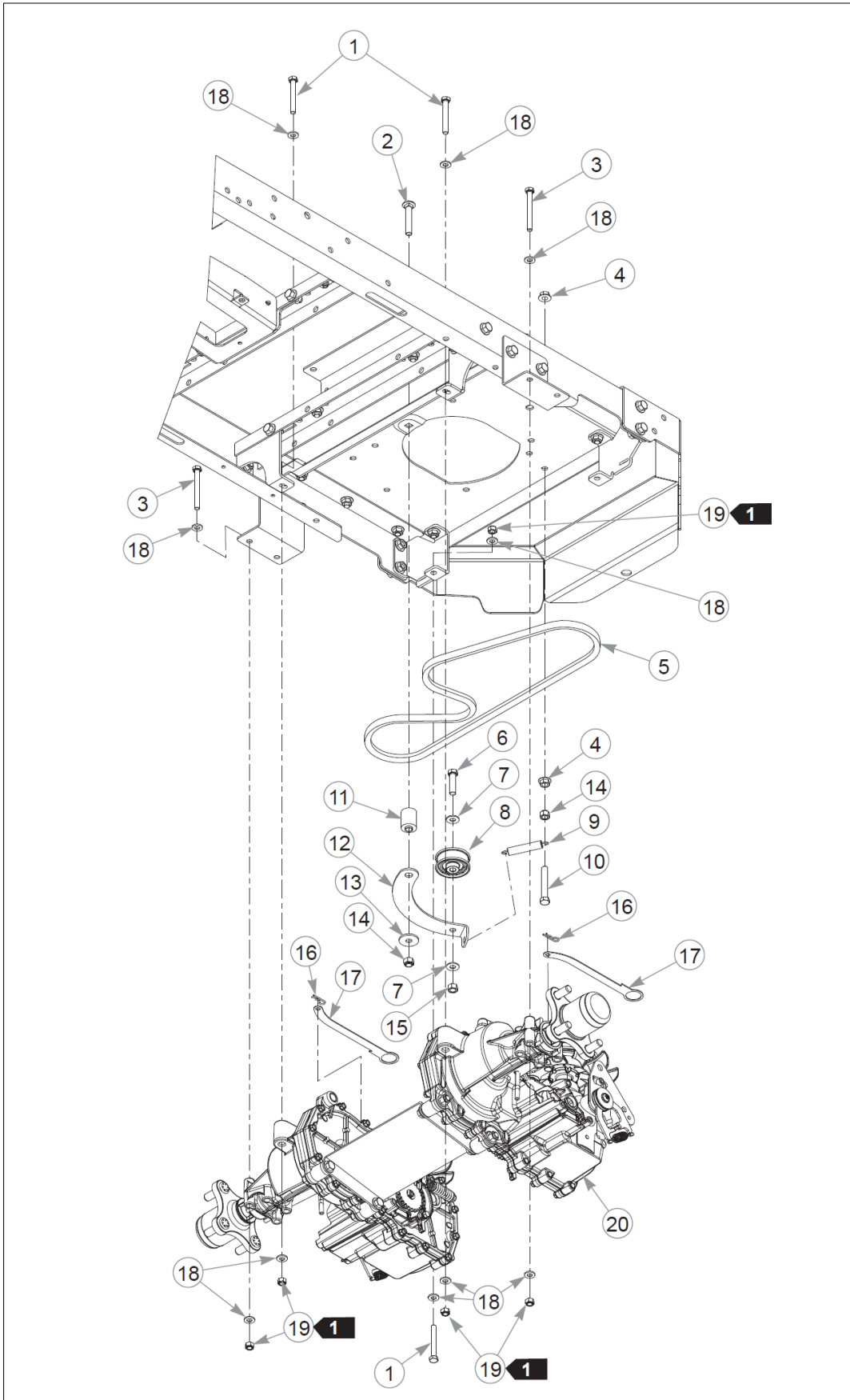
Item	Part No.	Name	Qty	Uom
1	601097	CABLE, CHOKE	1	EA
2	776476	SWITCH, PTO 6201-321	1	EA
3	785808	KEY ASSEMBLY	1	EA
4	551898	SERVICE, INSTR PANEL	1	EA
5	604196	DECAL, INST PANEL	1	EA
6	045898	IGNITION SWITCH	1	EA
7	055939	CS .250-20X0.75 HX G5 ZY	1	EA
8	601098	CB 10-24 X .500 ZYNC	2	EA
9	704932	FW 0.219X.50X.05 ZY	2	EA
10	059832	NT #10-24 HX NL ZN	2	EA
11	601096	CABLE, THROTTLE	1	EA
12	604324	CS .250-20 X .75 HX FLG	8	EA
13	552809	SVC, FENDER RS	1	EA
14	552810	SVC, FENDER LS	1	EA
15	601982	CN .250-20X .150 MAX THK	1	EA
16	553505	SVC, FOOTREST	1	EA
17	602407	DECAL, HUSTLER ID	1	EA
18	029629	CS .375-16X0.75 HXF G5ZY	2	EA
19	016899	NT .375-16 FLKG5	2	EA
20	000331	WIRE TIE, SMALL/SHORT	2	EA
21	604388	DECAL, RAPTOR FENDER	2	EA
22	114052	KIT, CLUTCH CONN. REP.	1	EA
23	601053	RELAY, SEALED W/BRACKET	2	EA
24	604876	WIRE HARNESS	1	EA

Comments for Page: Fenders & Instrument Panel

jmumford@excelii.com on Apr 29, 2015

1. Instrument panel (551898), RS fender (552809) and LS fender (552810) include decals.
2. The sealed relay (601053) includes a bracket.

Transmissions & Steering



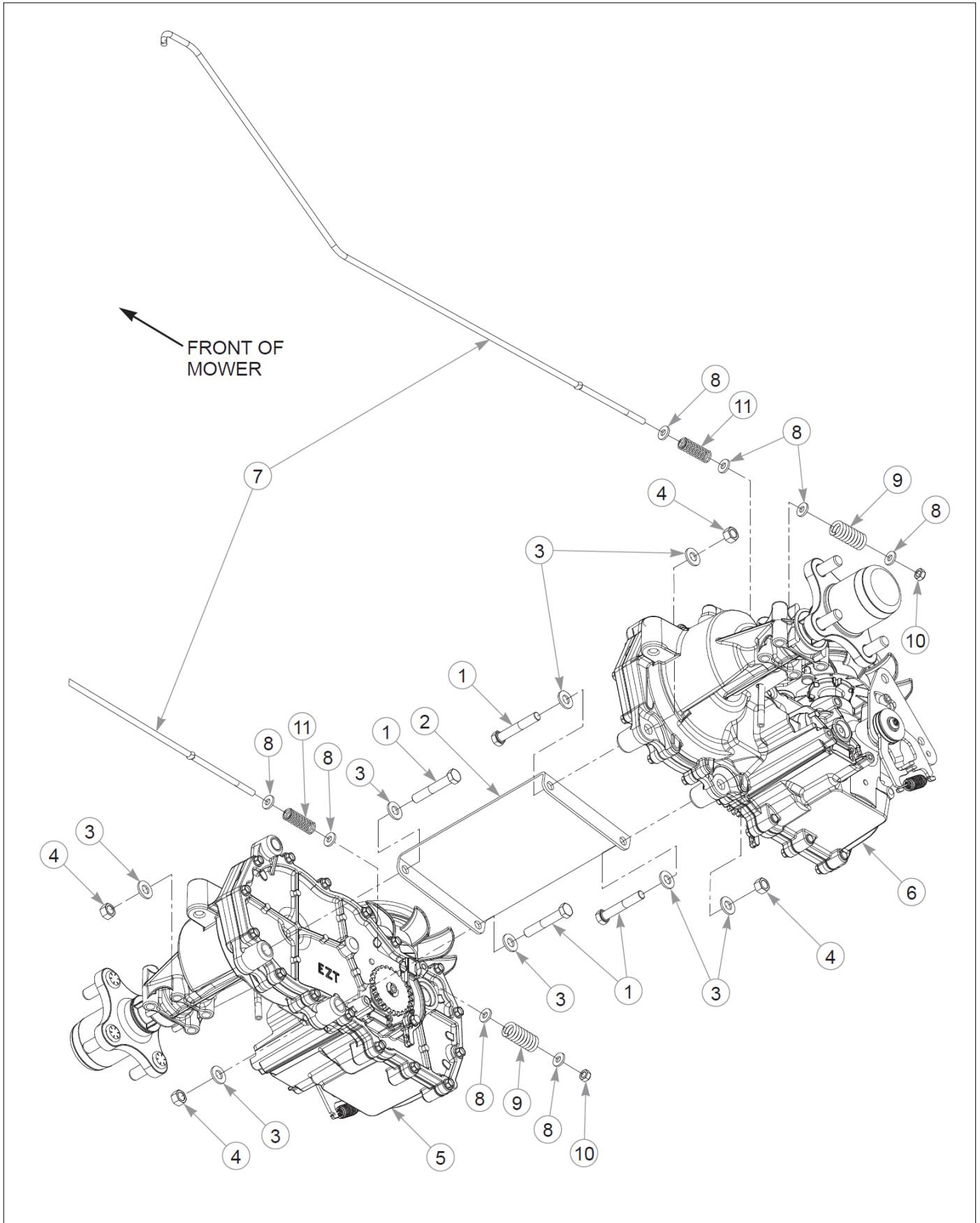
Item	Part No.	Name	Qty	Uom
1	710087	CS .312-18X2.500HXG5	4	EA
2	604343	CB .375-16 X 2.25 STD ZN	1	EA
3	043067	CS .312-18X3.000HXG5	4	EA
4	016899	NT .375-16 FLKG5	2	EA
5	603907	BELT, DRIVE	1	EA
6	080655	CS .375-16X1.500HXG5	1	EA
7	767954	FW 0.379X.82X.06 HD ZY	2	EA
8	604491	PULLEY, 2.0" IDLER	1	EA
9	604490	SPRING, 3.00 X .50 EXT	1	EA
10	604487	CS .375-16 X 2.50 FULTH	1	EA
11	116289	SPACER, PIVOT IDLER	1	EA
12	116287	IDLER ARM	1	EA
13	712893	FW 0.406X1.25X.12 HD ZY	1	EA
14	086660	NT .375-16NLG8	2	EA
15	054502	NT .375-16HXG5	1	EA
16	706549	HP0.080X1.190	2	EA
17	116218	LINK, TOW VALVE	2	EA
18	768523	FW 0.343SAE	16	EA
19	058776	NT .312-18NLG5	8	EA
20	N/A	TRANSMISSION ASSEMBLY	1	EA

Comments for Page: Hydraulic System

jmumford@excelii.com on Apr 29, 2015

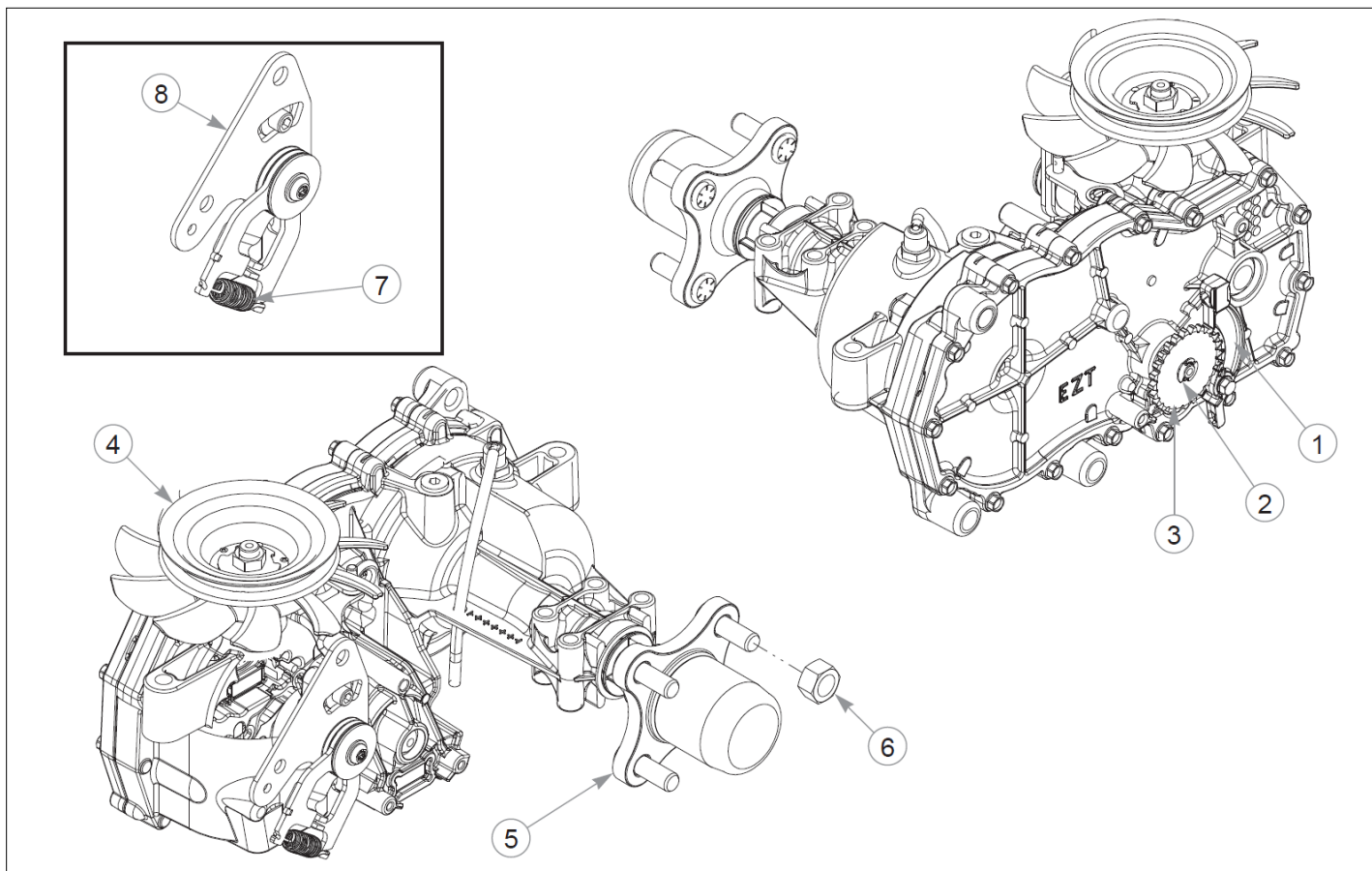
1. Torque to 23 N•m.

Transmissions & Steering



Item	Part No.	Name	Qty	Uom
1	056036	CS .375-16X2.250HXG5	4	EA
2	123634-3	CROSS BRACE, HYDROSTAT	1	EA
3	767954	FW 0.379X.82X.06 HD ZY	8	EA
4	054502	NT .375-16HXG5	4	EA
5	604127	EZT, 19.2:1 TRANS	1	EA
6	604128	EZT, 19.2:1 TRANS	1	EA
7	116143	ROD, BRAKE ACTUATOR	2	EA
8	768515	FW 0.281SAE	8	EA
9	601051	OVERTRAVEL SPRING	2	EA
10	068551	NT .250-20 HXZY NL	2	EA
11	601131	SPRING, BRAKE ARM RET.	2	EA

Transmissions & Steering



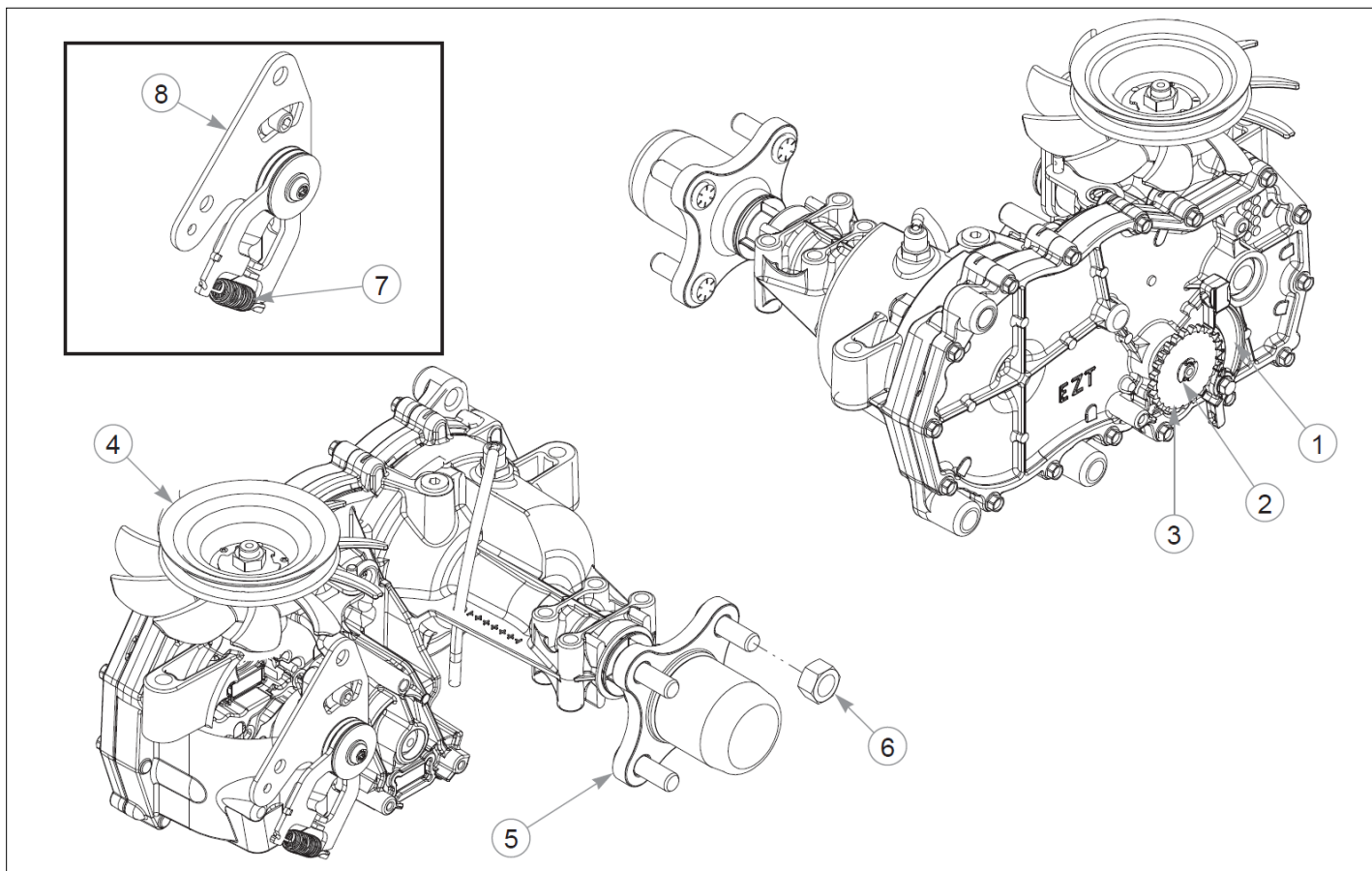
Item	Part No.	Name	Qty	Uom
1	795047	PARKING PAWL KIT, EZT	1	EA
2	798371	RING, RETAINING	1	EA
3	798363	GEAR, PARK BRAKE	1	EA
4	602094	FAN / PULLEY KIT	1	EA
5	601433	KIT, HUB 4 BOLT	1	EA
<p>Comments for Part Num. 601433</p> <p>parts@excelii.com on May 7, 2015</p> <p>CUSTOMER SERVICE NOTE:</p> <p>Lug Studs are not sold separately.</p>				
6	788877	NUT, H-G ZT HUB	1	EA
7	604903	HG RTN SPRING	1	EA
8	604901	HG RTN CW	1	EA

Comments for Page: Transmission Service Parts - Right Side

jmumford@excelii.com on Apr 29, 2015

1. The hub kit includes the nut.

Transmissions & Steering



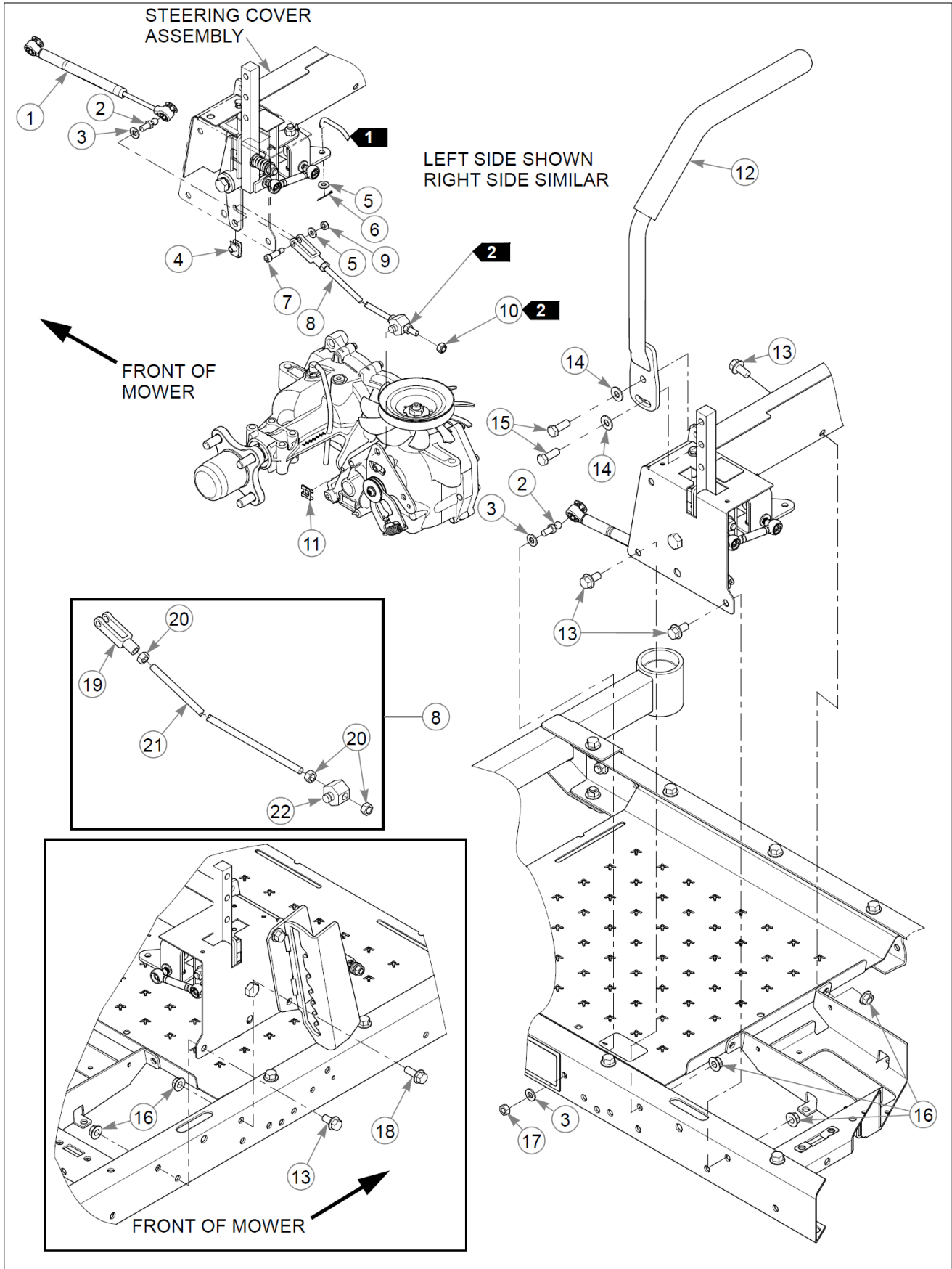
Item	Part No.	Name	Qty	Uom
1	795047	PARKING PAWL KIT, EZT	1	EA
2	798371	RING, RETAINING	1	EA
3	798363	GEAR, PARK BRAKE	1	EA
4	602094	FAN / PULLEY KIT	1	EA
5	601433	KIT, HUB 4 BOLT	1	EA
<p>Comments for Part Num. 601433</p> <p>parts@excelii.com on May 7, 2015</p> <p>CUSTOMER SERVICE NOTE:</p> <p>Lug Studs are not sold separately.</p>				
6	788877	NUT, H-G ZT HUB	1	EA
7	604903	HG RTN SPRING	1	EA
8	604902	HG RTN CCW	1	EA

Comments for Page: Transmission Service Parts - Left Side

jmumford@excelii.com on Apr 29, 2015

1. The hub kit includes the nut.

Transmissions & Steering



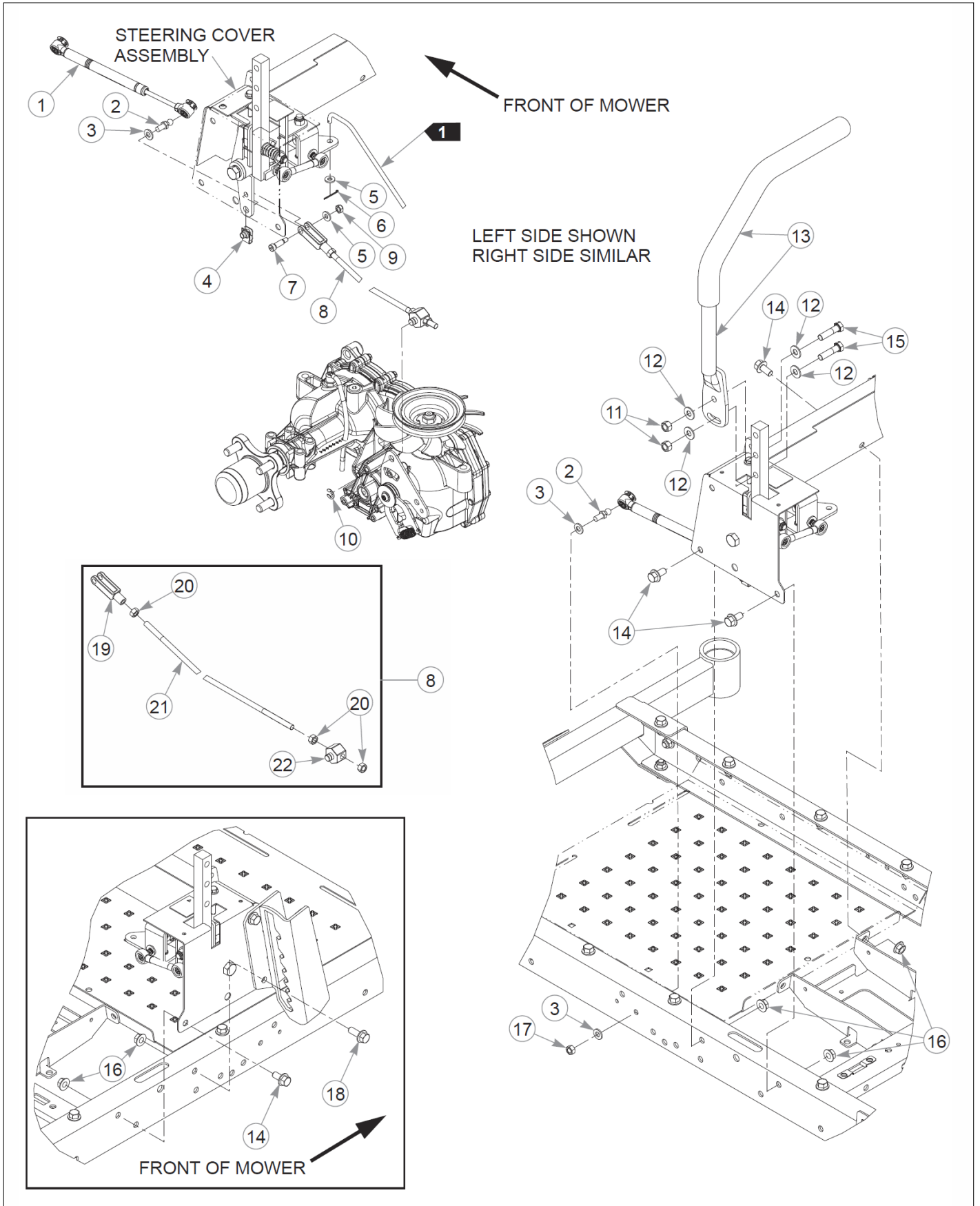
Item	Part No.	Name	Qty	Uom
1	603983	DAMPER	2	EA
2	781922	BALL STUD	4	EA
3	768523	FW 0.343SAE	6	EA
4	601069	CN .312-18x.200 MAX THK	2	EA
5	768515	FW 0.281SAE	4	EA
6	048553	CP .062DX1.000 LG HML Z	2	EA
7	772483	SB0.312X0.750SH0.250-20	2	EA
8	605273	STEERING ROD S/A	2	EA
9	068551	NT .250-20 HXZY NL	2	EA
10	023655	NT 0.312-24 NL G8	2	EA
11	606575	CLIP, SAFETY	2	EA
12	110370	STEERING BAR W/ GRIP	2	EA
Not Shown	781260	GRIP, STEERING BAR	1	EA
13	029629	CS .375-16X0.75 HXF G5ZY	5	EA
14	767954	FW 0.379X.82X.06 HD ZY	4	EA
15	036244	CS .375-16X1.00 HX G5 ZY	4	EA
16	016899	NT .375-16 FLKG5	6	EA
17	034272	NT .312-18HXG5	2	EA
18	029751	CS .375-16X1.00 HXF G5ZY	1	EA
19	604173	YOKE, 5/16-24	2	EA
20	041152	NT 0.312-24 HX G8	6	EA
21	603905	ROD, STEERING	2	EA
22	116144	BLOCK, STEERING CONTROL	2	EA

Comments for Page: Steering & Brake—S/N 16025348 & Higher

jmumford@excelii.com on Mar 8, 2016

1. Part of the transmission assembly. 2. Torque to 19 N•m. 3. The steering bar (110370) includes the grip (781260).

Transmissions & Steering



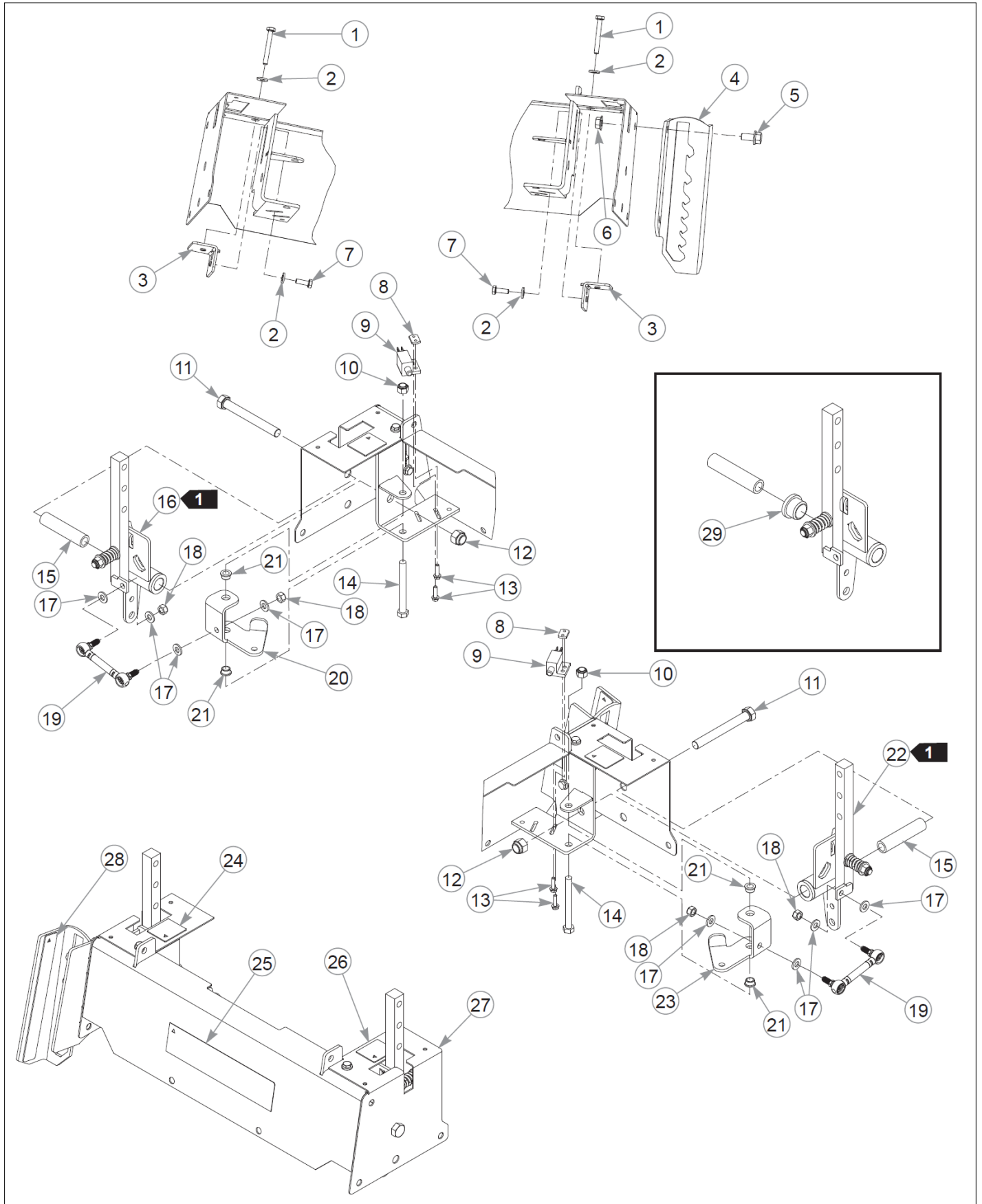
Item	Part No.	Name	Qty	Uom
1	603983	DAMPER	2	EA
2	781922	BALL STUD	4	EA
3	768523	FW 0.343SAE	6	EA
4	601069	CN .312-18x.200 MAX THK	2	EA
5	768515	FW 0.281SAE	4	EA
6	048553	CP .062DX1.000 LG HML Z	2	EA
7	772483	SB0.312X0.750SH0.250-20	2	EA
8	605273	STEERING ROD S/A	2	EA
9	068551	NT .250-20 HXZY NL	2	EA
10	603332	CLIP E .66 X .303 X .035	2	EA
11	054502	NT .375-16HXG5	4	EA
12	767954	FW 0.379X.82X.06 HD ZY	8	EA
13	110370	STEERING BAR W/ GRIP	2	EA
Not Shown	781260	GRIP, STEERING BAR	1	EA
14	029629	CS .375-16X0.75 HXF G5ZY	5	EA
15	080655	CS .375-16X1.500HXG5	4	EA
16	016899	NT .375-16 FLKG5	6	EA
17	034272	NT .312-18HXG5	2	EA
18	029751	CS .375-16X1.00 HXF G5ZY	1	EA
19	604173	YOKE, 5/16-24	2	EA
20	041152	NT 0.312-24 HX G8	6	EA
21	603905	ROD, STEERING	2	EA
22	116144	BLOCK, STEERING CONTROL	2	EA

Comments for Page: Steering & Brake - S/N Prior to 16025348

admin@excelindustries.com on Jan 16, 2014

1. Part of the transmission assembly.
2. The steering bar (110370) includes the grip (781260).

Transmissions & Steering



Item	Part No.	Name	Qty	Uom
1	604452	CS .250-20X2.00 HX FH ZY	2	EA
2	768515	FW 0.281SAE	4	EA
3	605529	STOP, STEERING	2	EA
4	551912	SERVICE, LATCH	1	EA
5	029629	CS .375-16X0.75 HXF G5ZY	1	EA
6	016899	NT .375-16 FLKG5	1	EA
7	055939	CS .250-20X0.75 HX G5 ZY	2	EA
8	601822	NUT PLATE, .420 CENTERS	2	EA
9	781211	SWITCH, PUSH BUTTON	2	EA
10	086660	NT .375-16NLG8	2	EA
11	781708	CS .500-13X4.25 HX G5 ZY	2	EA
12	781567	NT .500-13NLG5	2	EA
13	063198	CS #10-24X0.750FLKG5	4	EA
14	005108	CS .375-16X3.500HXG5	2	EA
15	604288	SPACER, STEERING	2	EA
16	606106	STEERING BOX SUB, LH	1	EA
Not Shown	604300	STEERING BOX SUB, LH	1	EA
17	768523	FW 0.343SAE	8	EA
18	058776	NT .312-18NLG5	4	EA
19	604179	BRAKE LINK	2	EA
20	116142	BRAKE BLCRNK, LH	1	EA
21	765339	BUSHING,IGUS#0608 (FS)	4	EA
22	606105	STEERING BOX SUB, RH	1	EA
Not Shown	604299	STEERING BOX SUB, RH	1	EA
23	116141	BRAKE BLCRNK, RH	1	EA
24	785220	DECAL, STEERING R.S.	1	EA
25	604195	DECAL ID, RAPTOR	1	EA
26	785139	DECAL, STEERING L.S.	1	EA

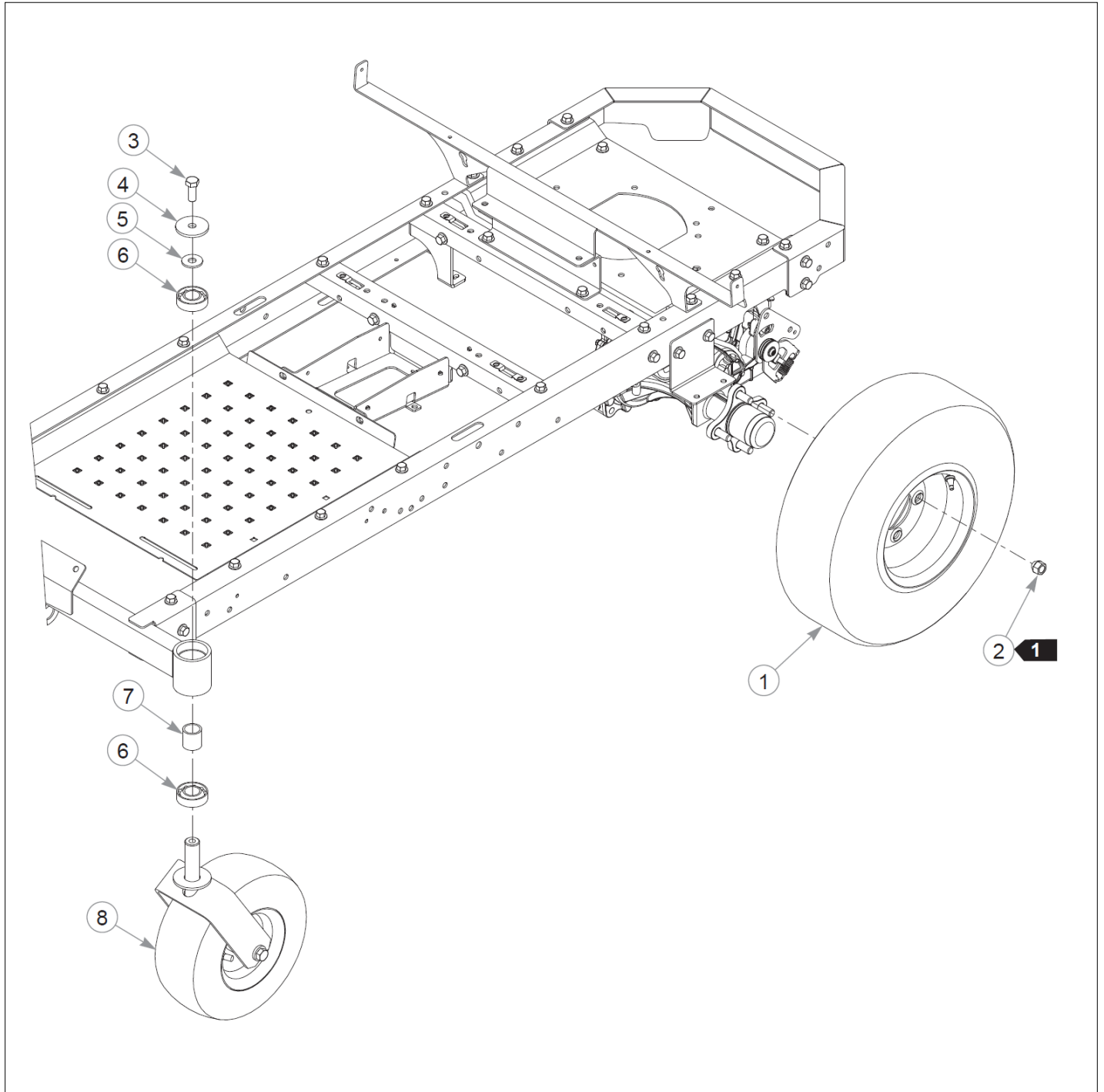
Item	Part No.	Name	Qty	Uom
27	551698	STEERING COVER, SERVICE	1	EA
28	604275	DECAL, DECK HEIGHT	1	EA
29	781153	BUSHING, UHMW	2	EA

Comments for Page: Steering Cover Assembly

jmumford@excelii.com on Nov 21, 2017

1. The latch and steering cover include decals.
2. 606105 & 606106 are used on mowers S/N 16025348 & higher.
604299 & 604300 are used on mowers S/N prior to 16025348.

Wheels & Tires



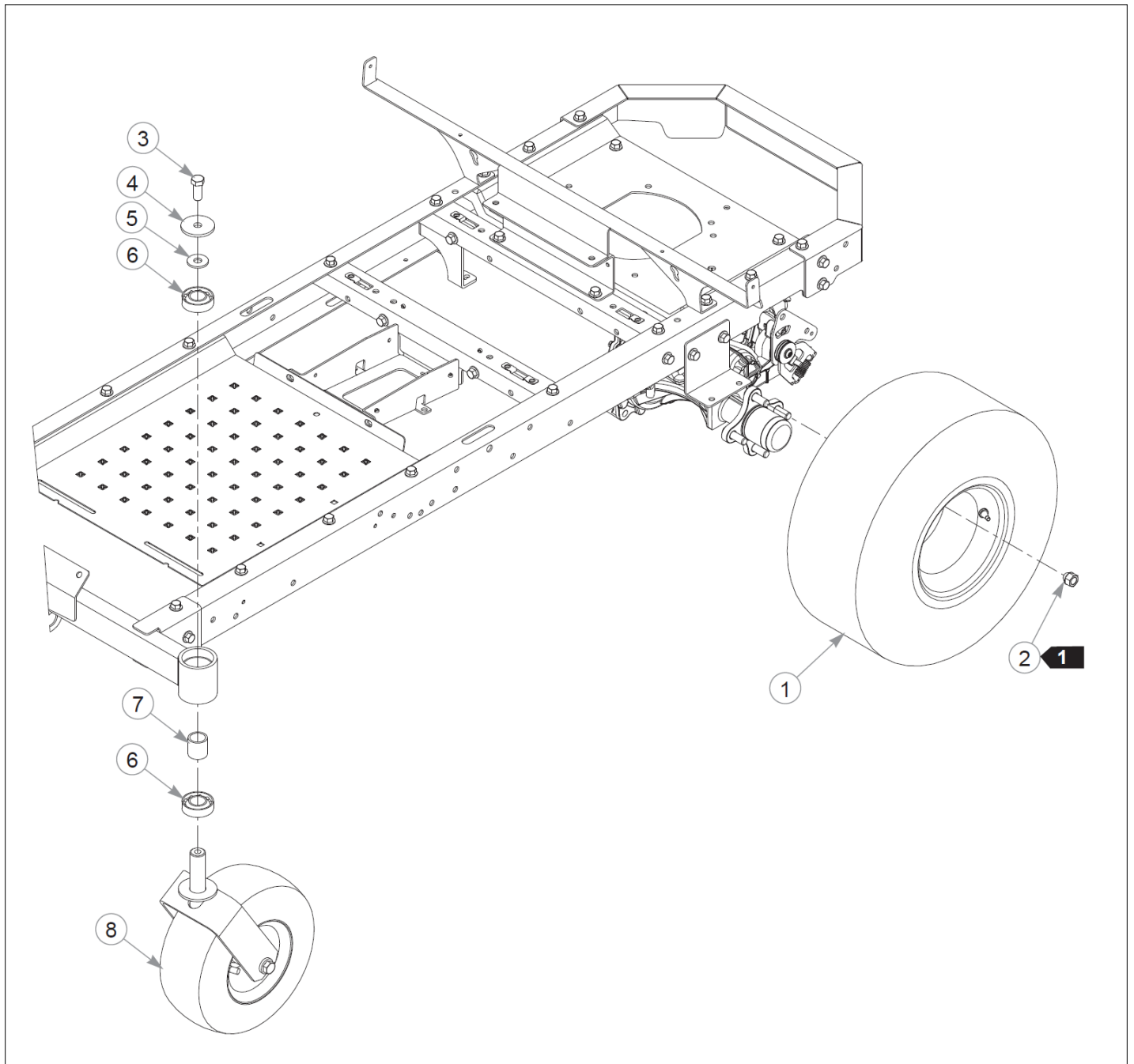
Item	Part No.	Name	Qty	Uom
1	605261	TIR/WHL 18X7.00-8 SLV	2	EA
2	061077	WHEEL NUT	8	EA
3	705954	CS .500-13X1.25 HX G5 ZY	2	EA
4	344267	FW .510X2.15X.19 ZY	2	EA
5	712976	FW 0.531X1.38X.12 ZY	2	EA
6	784223	BEARING	4	EA
7	784603	SPACER	2	EA
8	N/A	FRONT WHEEL ASSEMBLY	1	EA

Comments for Page: Wheel & Tire - 36" Mowers

jmumford@excelii.com on Apr 29, 2015

1. Torque to 88–102 N•m.

Wheels & Tires



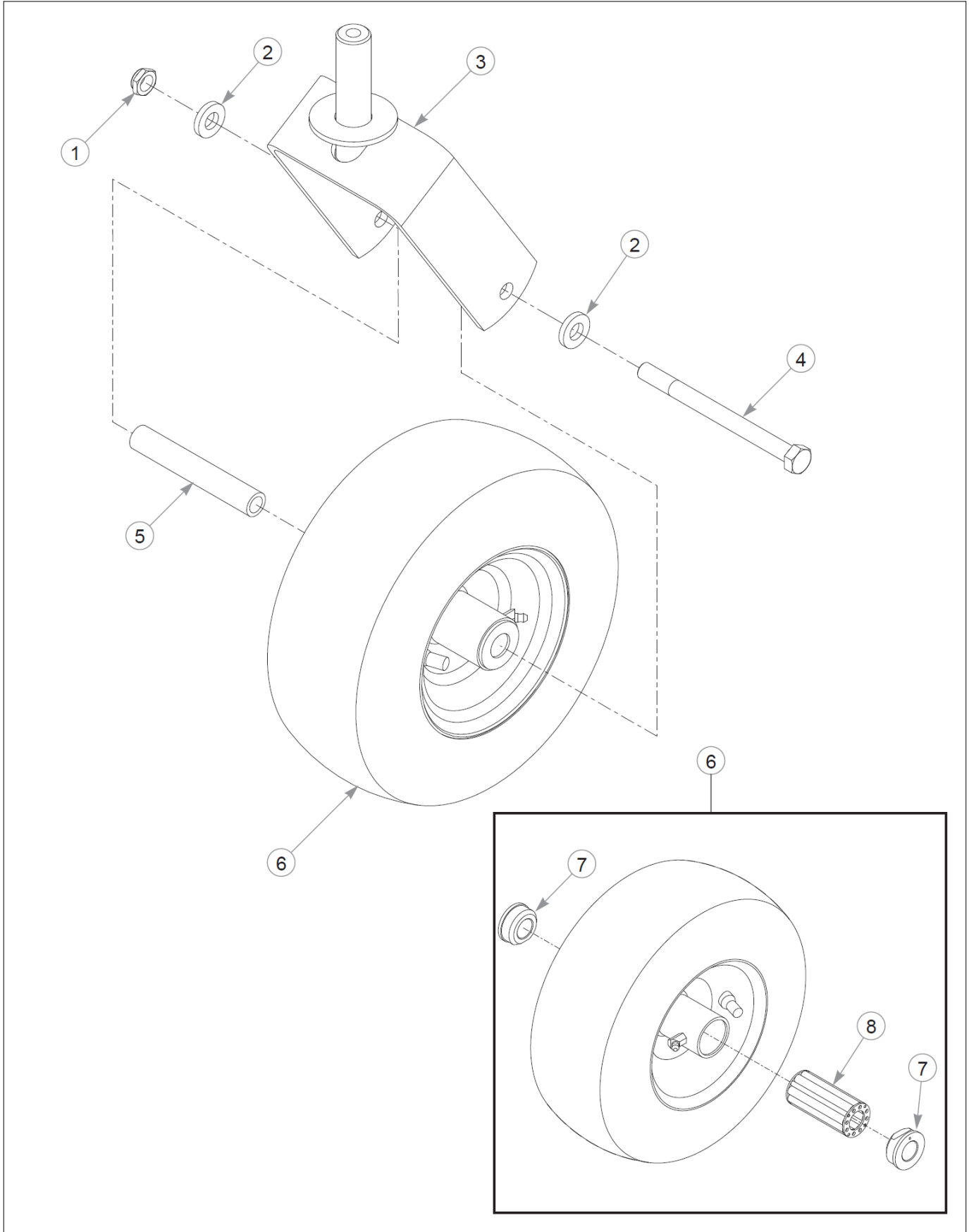
Item	Part No.	Name	Qty	Uom
1	604013	TIR/WHL 18X8.50-8 SLV	2	EA
2	061077	WHEEL NUT	8	EA
3	705954	CS .500-13X1.25 HX G5 ZY	2	EA
4	344267	FW .510X2.15X.19 ZY	2	EA
5	712976	FW 0.531X1.38X.12 ZY	2	EA
6	784223	BEARING	4	EA
7	784603	SPACER	2	EA
8	N/A	FRONT WHEEL ASSEMBLY	1	EA

Comments for Page: Wheel & Tire - 42" Mowers

jmumford@excelii.com on Apr 29, 2015

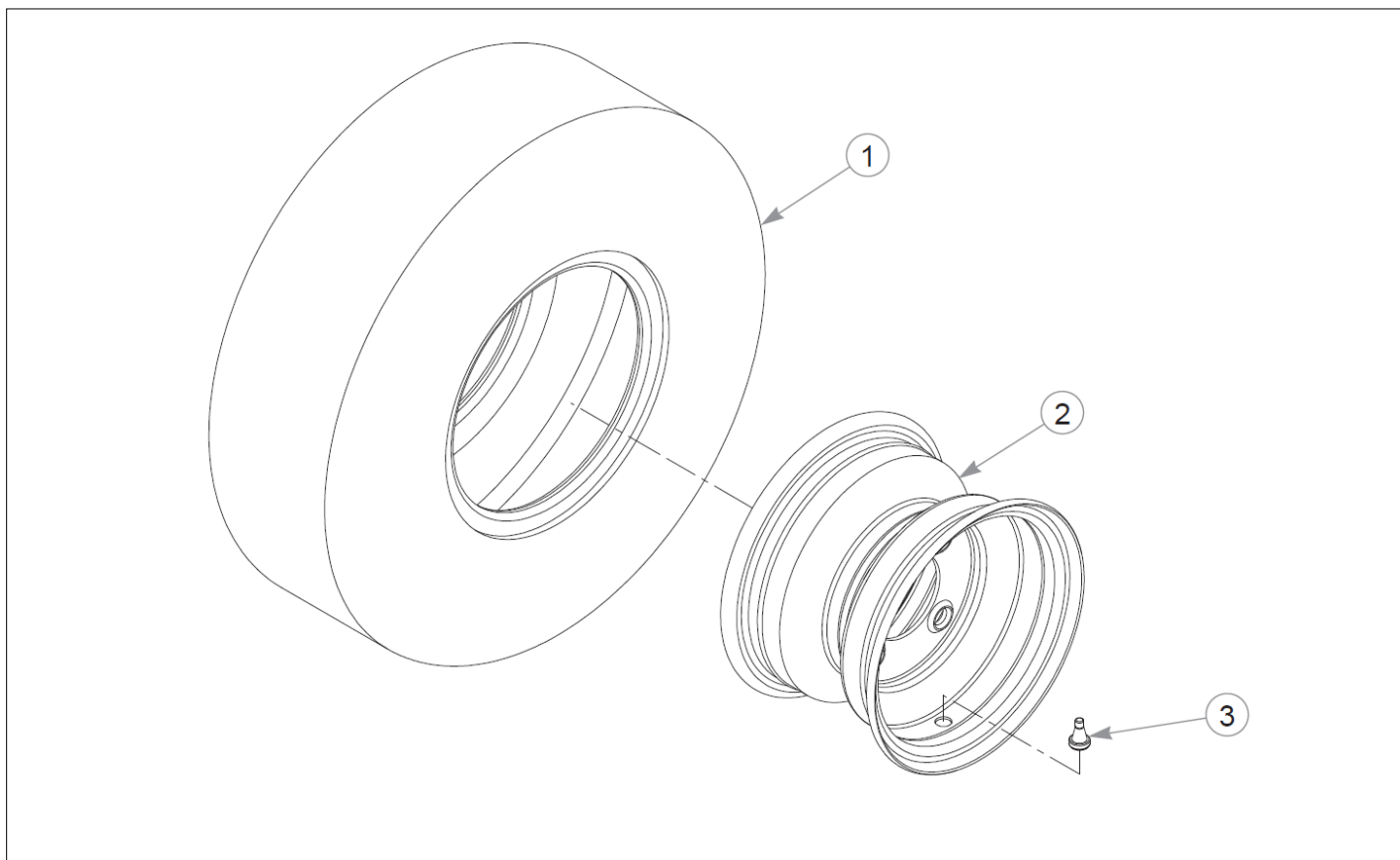
1. Torque to 88–102 N•m.

Wheels & Tires



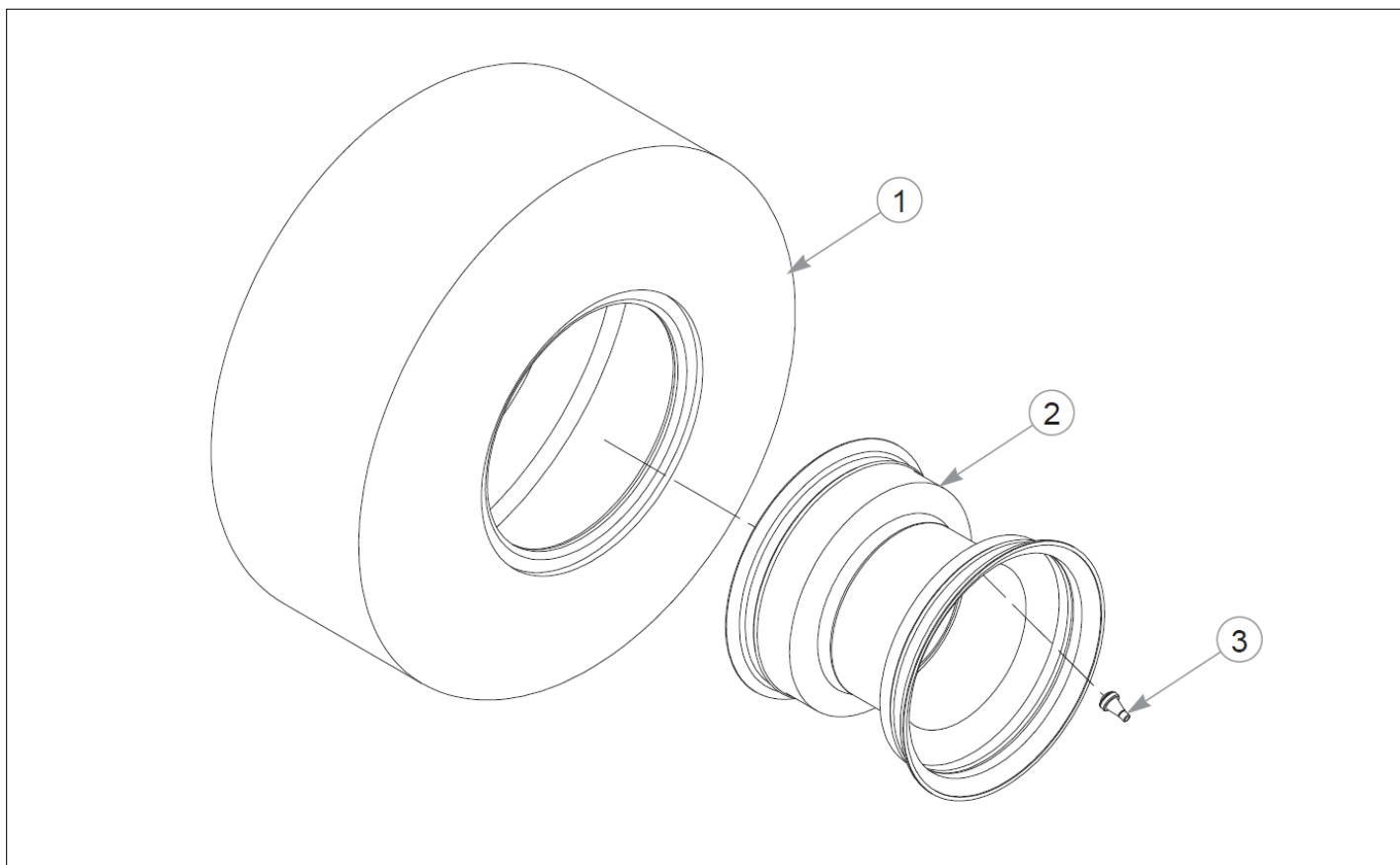
Item	Part No.	Name	Qty	Uom
1	707398	NT .500-13 JAM NY LK	1	EA
2	767962	FW .531 x 1.063 x .175	2	EA
3	110116	CASTER FORK W/A	1	EA
4	604718	CS .500-13X6.00 HX G5 ZY	1	EA
5	306969	GAGE WHEEL SPACER	1	EA
6	605113	TIR/WHL 11X4.00-5 SLV	1	EA
Not Shown	768044	T/W 11X4.00-5 RIBBED	1	EA
7	772806	BEARING CAP	2	EA
8	772814	BEARING, 3/4" ROLLER	1	EA

Wheels & Tires



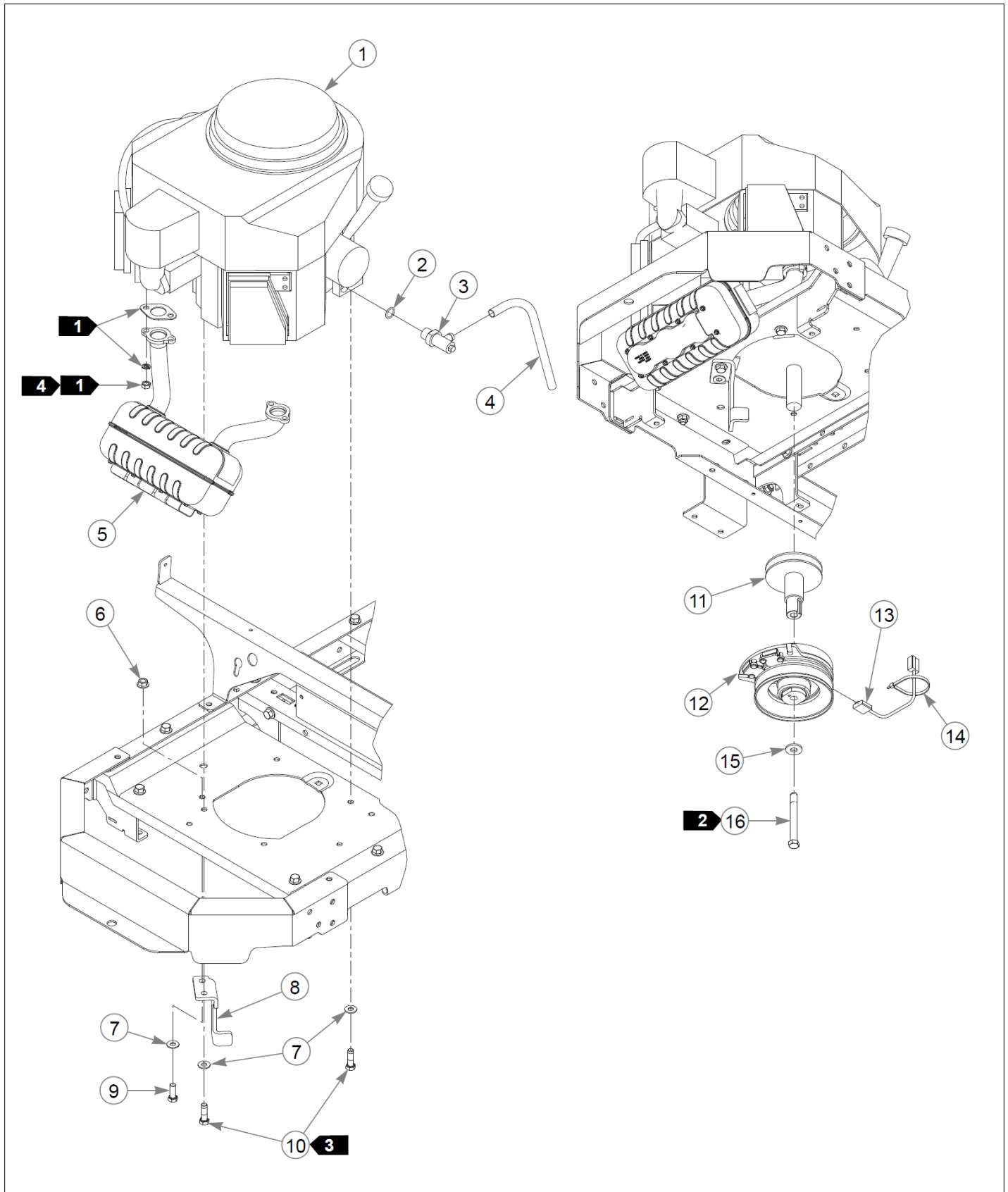
Item	Part No.	Name	Qty	Uom
1	605433	TIR 18X7.00-8 B4R GRMR	1	EA
2	605262	WHL 8X5.38 4X4.0 SLV	1	EA
3	019521	TIRE VALVE TR-412 GOODY	1	EA

Wheels & Tires



Item	Part No.	Name	Qty	Uom
1	604267	TIR 18X8.50-8 B2R GRMR	1	EA
2	601820	WHL 8X6.93 4X4.0 SLV	1	EA
3	019521	TIRE VALVE TR-412 GOODY	1	EA

Engine & Fuel System



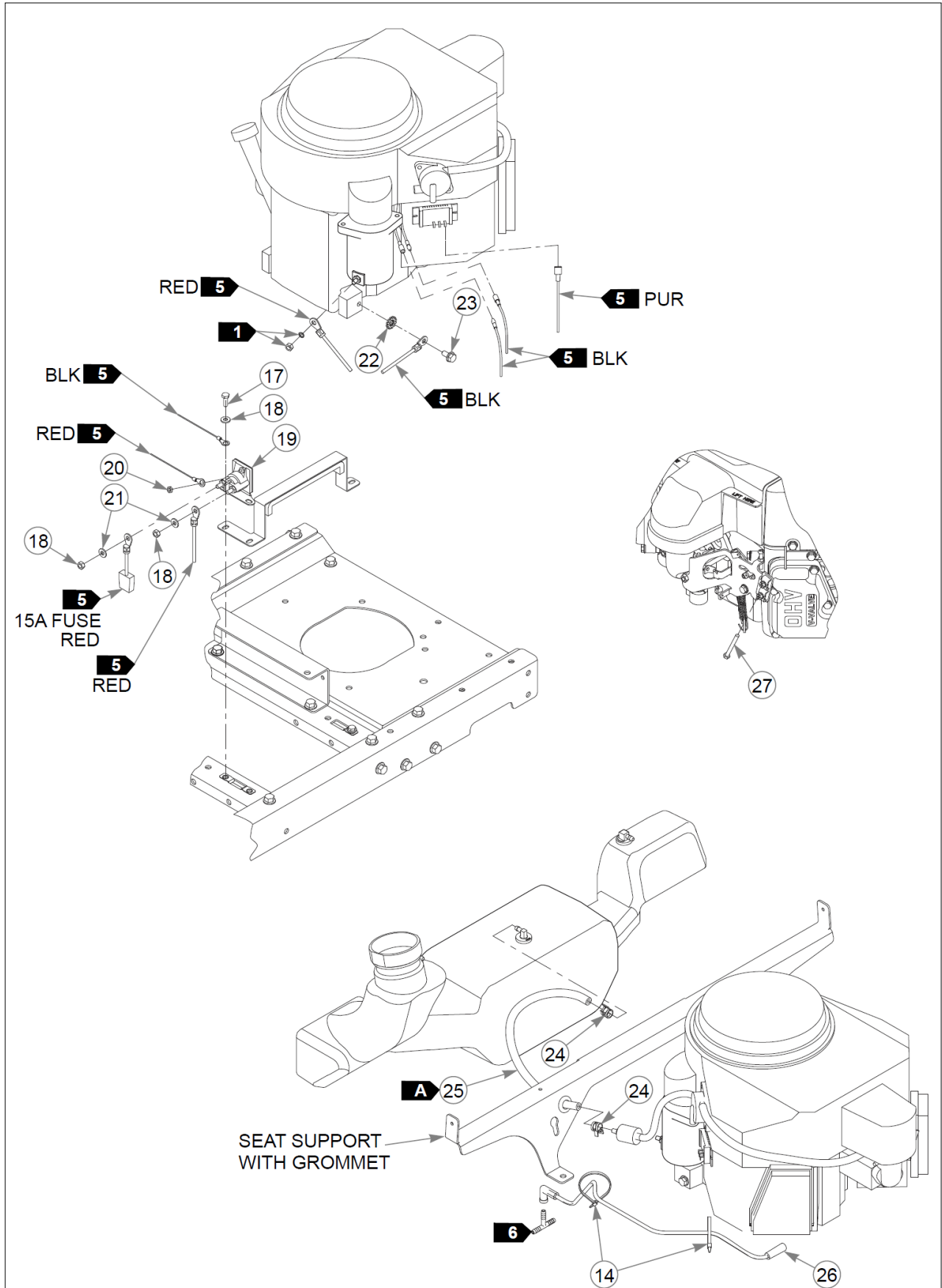
Item	Part No.	Name	Qty	Uom
1		ENGINE, KAW FR541V	1	EA
2	604369	O-RING	1	EA
3	604350	VALVE, OIL DRAIN	1	EA
4	604463	HOSE, OIL DRAIN	31cm	CM
5	602999	MUFFLER, FR600V RITEFLO	1	EA
6	016899	NT .375-16 FLKG5	1	EA
7	767954	FW 0.379X.82X.06 HD ZY	5	EA
8	116290	CLUTCH ANCHOR	1	EA
9	036244	CS .375-16X1.00 HX G5 ZY	1	EA
10	602580	CS .375-16X1.25HXG8ZYP85	4	EA
11	604185	PULLEY, PUMP STUB SHAFT	1	EA
12	604244K	CLUTCH KIT	1	EA
13	791251	HARNESS, CLUTCH PIGTAIL	1	EA
<p>Comments for Part Num. 791251</p> <p>parts@excelii.com on Aug 28, 2015</p> <p>Pigtail was updated with epoxy to hold the wires steady. The wire sheath was also updated to a more flexible material.</p>				
14	000331	WIRE TIE, SMALL/SHORT	3	EA
15	602680	FW .453X1.12X.12 HRD ZY	1	EA
16	604271	CS .437-20X4.00 HXG5 P85	1	EA

Comments for Page: Engine (PG 1 of 2)

jmumford@excelii.com on Apr 29, 2015

1. Supplied with the engine.2. Torque to 61–65 N•m. Replace (do not reuse) the cap screw if it is removed or loosened. Use only hand tools to install this fastener.3. Torque to 41–47 N•m. Replace (do not reuse) the cap screw if it is removed or loosened. Use only hand tools to install this fastener.4. Torque to 23 N•m.

Engine & Fuel System



Item	Part No.	Name	Qty	Uom
1		ENGINE, KAW FR541V	1	EA
2	604369	O-RING	1	EA
3	604350	VALVE, OIL DRAIN	1	EA
4	604463	HOSE, OIL DRAIN	31cm	CM
5	602999	MUFFLER, FR600V RITEFLO	1	EA
6	016899	NT .375-16 FLKG5	1	EA
7	767954	FW 0.379X.82X.06 HD ZY	5	EA
8	116290	CLUTCH ANCHOR	1	EA
9	036244	CS .375-16X1.00 HX G5 ZY	1	EA
10	602580	CS .375-16X1.25HXG8ZYP85	4	EA
11	604185	PULLEY, PUMP STUB SHAFT	1	EA
12	604244K	CLUTCH KIT	1	EA
13	791251	HARNESS, CLUTCH PIGTAIL	1	EA
<p>Comments for Part Num. 791251</p> <p>parts@excelii.com on Aug 28, 2015</p> <p>Pigtail was updated with epoxy to hold the wires steady. The wire sheath was also updated to a more flexible material.</p>				
14	000331	WIRE TIE, SMALL/SHORT	3	EA
15	602680	FW .453X1.12X.12 HRD ZY	1	EA
16	604271	CS .437-20X4.00 HXG5 P85	1	EA
17	055939	CS .250-20X0.75 HX G5 ZY	2	EA
18	768515	FW 0.281SAE	4	EA
19	030817	STARTER SOLENOID HW KIT	1	EA
20	044255	NT #10-32HXG5	1	EA
21	024927	NT .250-20HXG5	2	EA
22	029876	LW .312 INTEXT ZY	1	EA
23	720516	CS M8-1.25X16HX FL10.9	1	EA
24	000323	CLIP, HOSE CLAMP	2	EA
25	015818	FUEL LINE, 1/4"	46 cm	CM

Item	Part No.	Name	Qty	Uom
Comments for Part Num. 015818 parts@excelii.com on Jan 19, 2018 Sold by the foot.				
26	604274	VAPOR LINE, 3/16 FORMED	1	EA
27	603524	CS M5-0.8 X 50 MM	1	EA

Comments for Page: Engine (PG 2 of 2)

jmumford@excelii.com on Apr 29, 2015

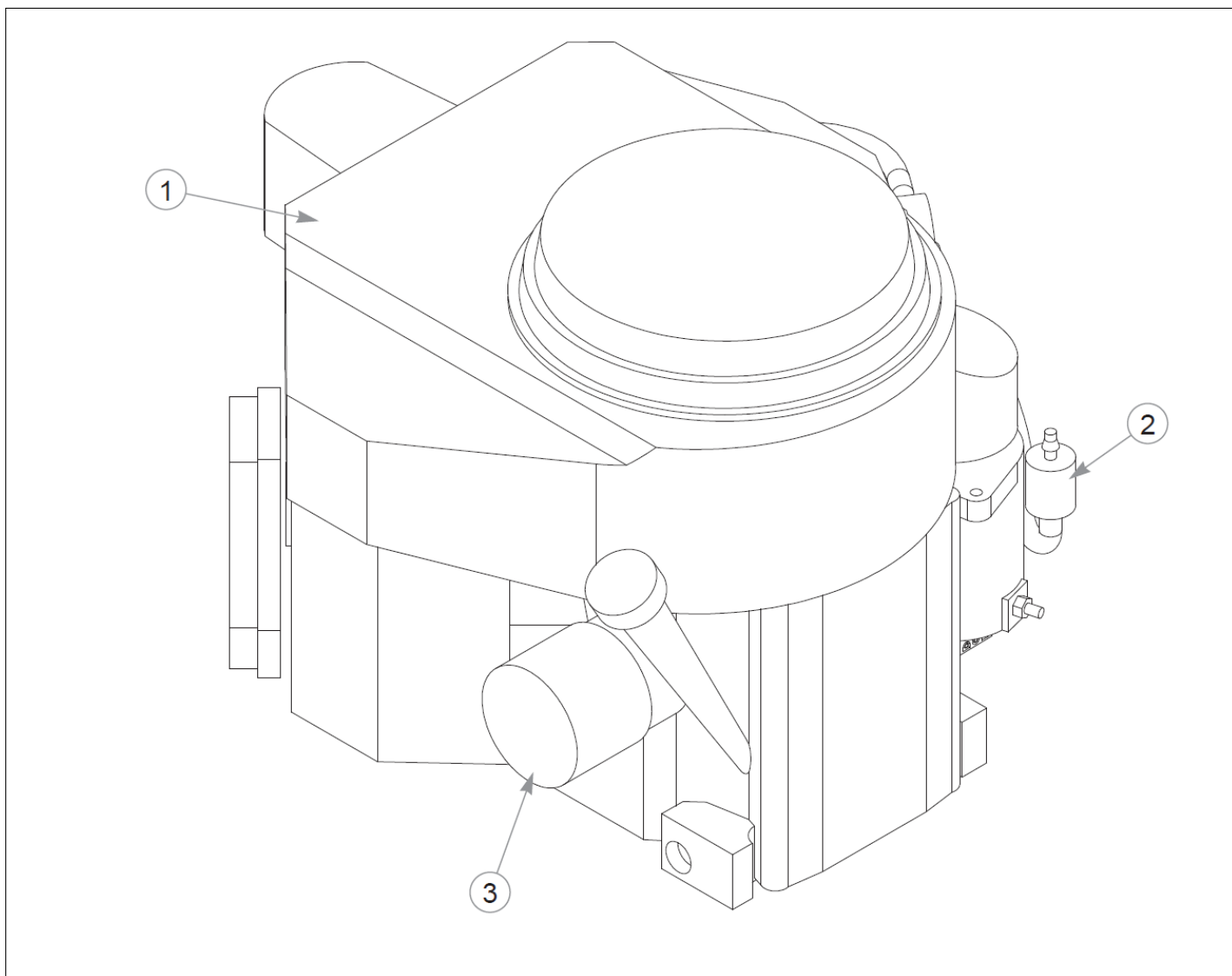
FUEL LINE LENGTH

A: 46 cm fuel line from the tank to the fuel filter

5. Part of the wire harness.

6. Part of the fuel system.

Engine & Fuel System



Item	Part No.	Name	Qty	Uom
1	604240	AIR FILTER, KAW W/CLAMP	1	EA
2	068478	FUEL FILTER IN-LINE	1	EA
3	602581	OIL FILTER, KAW ENG.	1	EA

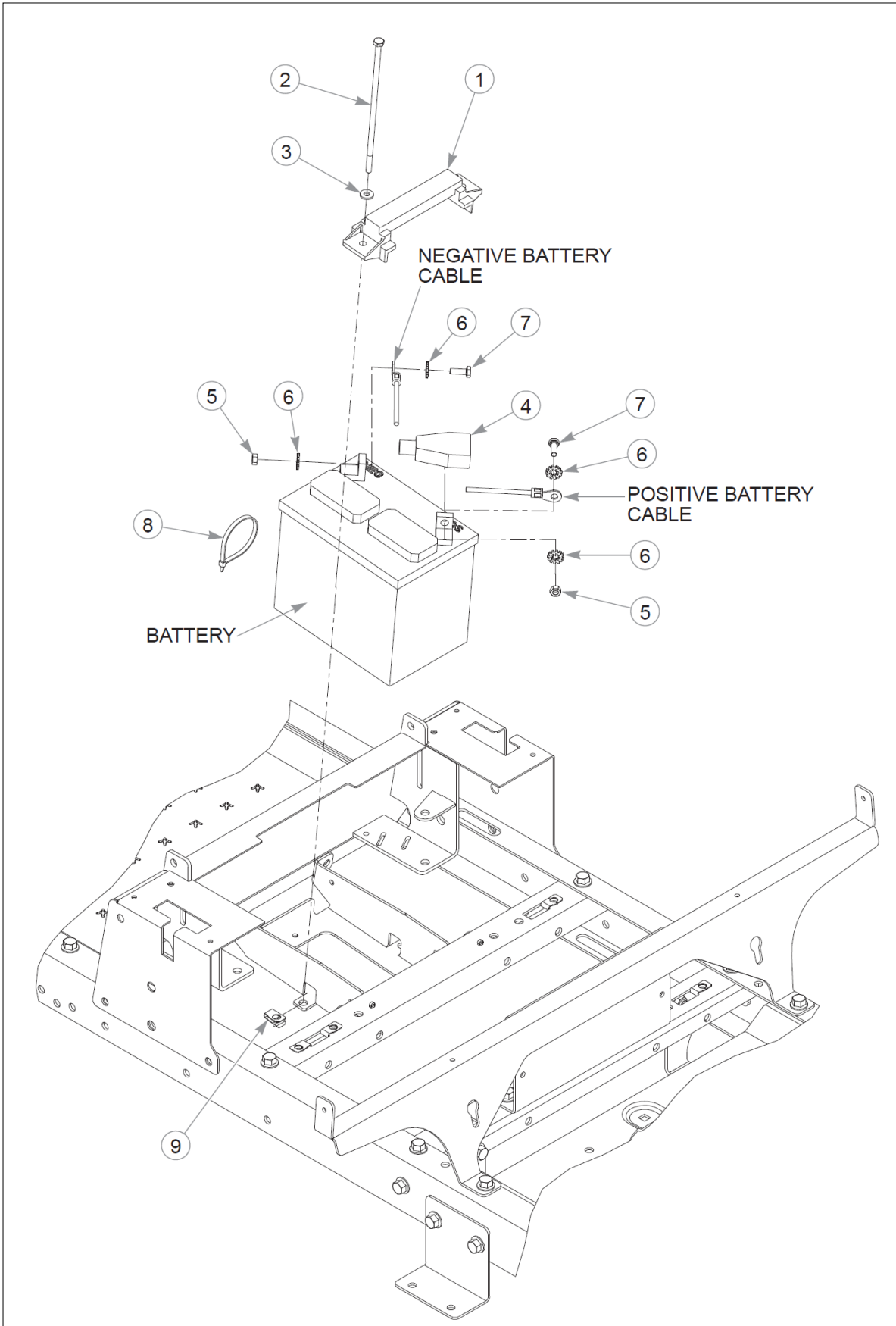
Item	Part No.	Name	Qty	Uom
1	606432	FUEL TANK	1	EA
2	603807	CAP, 3.5" RATCHETING GAS	1	EA
3	117059	TANK MNT LEFT	1	EA
4	117060	TANK MNT RIGHT	1	EA
5	713198	SEAL 3/8x3/4 SOLD BY FT	47 cm	FT
6	055939	CS .250-20X0.75 HX G5 ZY	3	EA
7	768515	FW 0.281SAE	3	EA
8	604279	VAPOR LINE, 3/16 FORMED	1	EA
9	604322	1/4" HOSE BARB CROSS	1	EA
10	604273	VAPOR LINE, 3/16 FORMED	1	EA
11	604292	BOOT, 3/16" TO 1/4" BARB	1	EA
12	604323	FILTER, VAPOR SYSTEM	1	EA
13	000331	WIRE TIE, SMALL/SHORT	2	EA
14	604307	MOUNT, PUSH BUTTON	2	EA
15	033035	WEATHERSTRIP .12X.75	56 cm	FT
16	601400	GM .63 x1.13 x.88 x .13	1	EA

Comments for Page: Fuel System

jmumford@excelii.com on Mar 28, 2016

1. 601400 is used on mowers S/N 15079323 & higher. Seal & Weatherstrip lengths: A: 23.5 cm B: 13 cm C: 30 cm

Battery



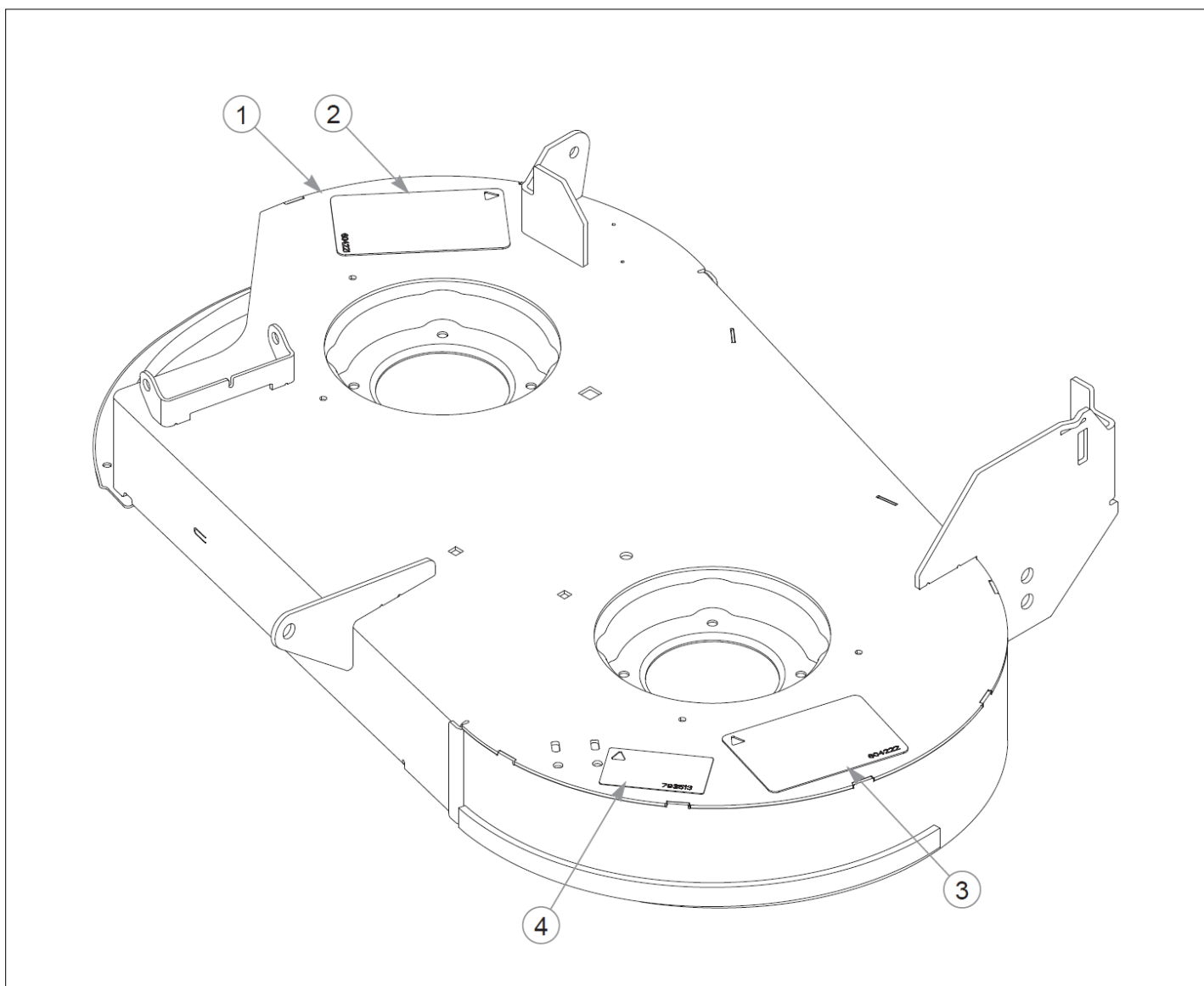
Item	Part No.	Name	Qty	Uom
1	604178	STRAP, TIE DOWN	1	EA
2	604465	CS .250-20X7.50 HX G5 ZC	2	EA
3	768515	FW 0.281SAE	2	EA
4	771428	BATTERY CBL BOOT-RED(FS)	1	EA
5	024927	NT .250-20HXG5	2	EA
6	029868	LW .250 INTEXT ZY	4	EA
7	055939	CS .250-20X0.75 HX G5 ZY	2	EA
8	000331	WIRE TIE, SMALL/SHORT	2	EA
9	601982	CN .250-20X .150 MAX THK	2	EA

Comments for Page: Battery

jmumford@excelii.com on Apr 29, 2015

1. When performing service on the mower, disconnect the negative battery cable and do not reconnect it to the battery until ready to start the engine.

Deck



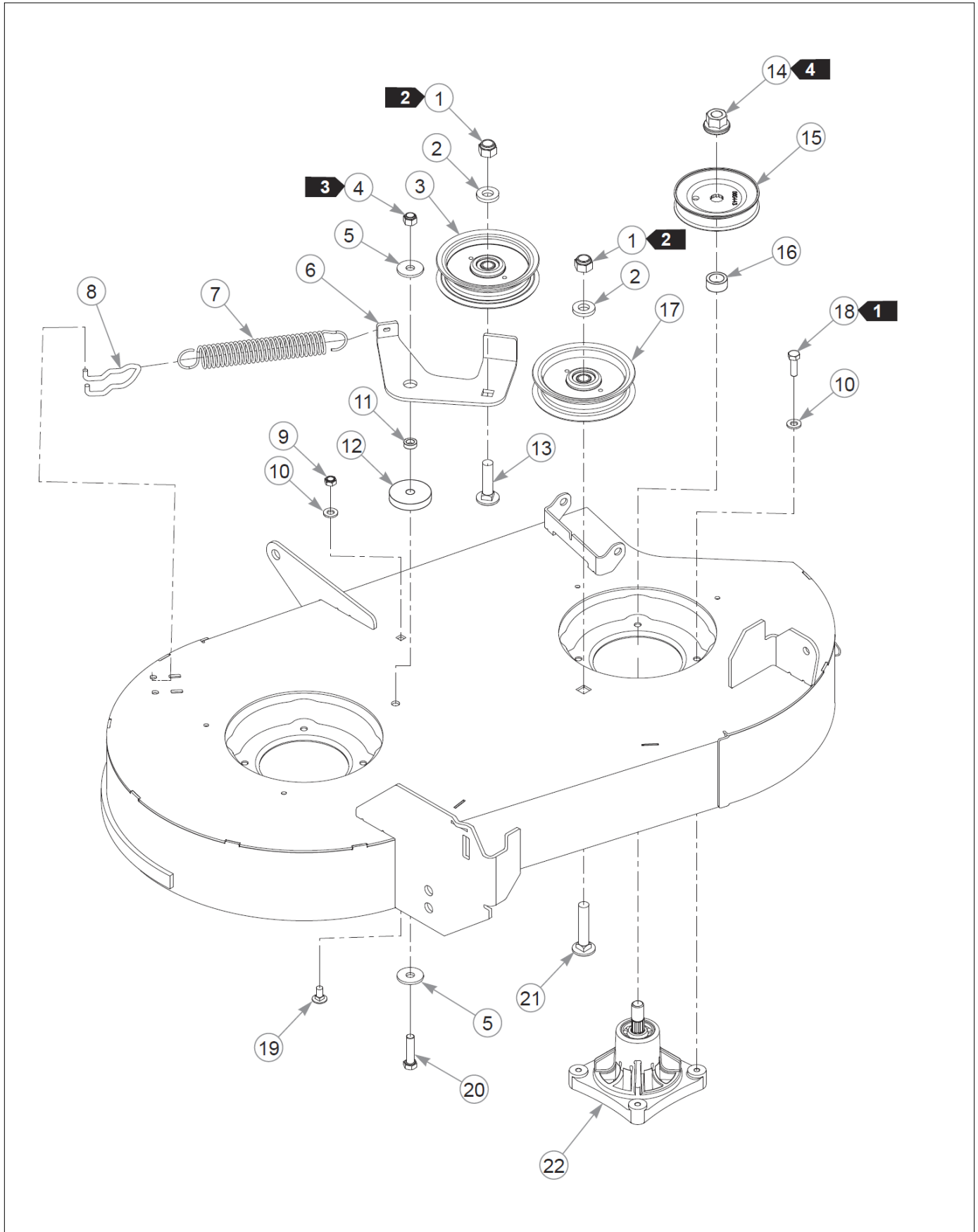
Item	Part No.	Name	Qty	Uom
1	552705	SVC, DECK 36"	1	EA
2	604221	DECAL, DANGER / CHUTE	1	EA
3	604222	DECAL, DANGER / OBJECTS	1	EA
4	793513	DECAL,36"DECK ID	1	EA

Comments for Page: 36" Service Deck

jmumford@excelii.com on Mar 28, 2016

1. The deck includes decals.

Deck



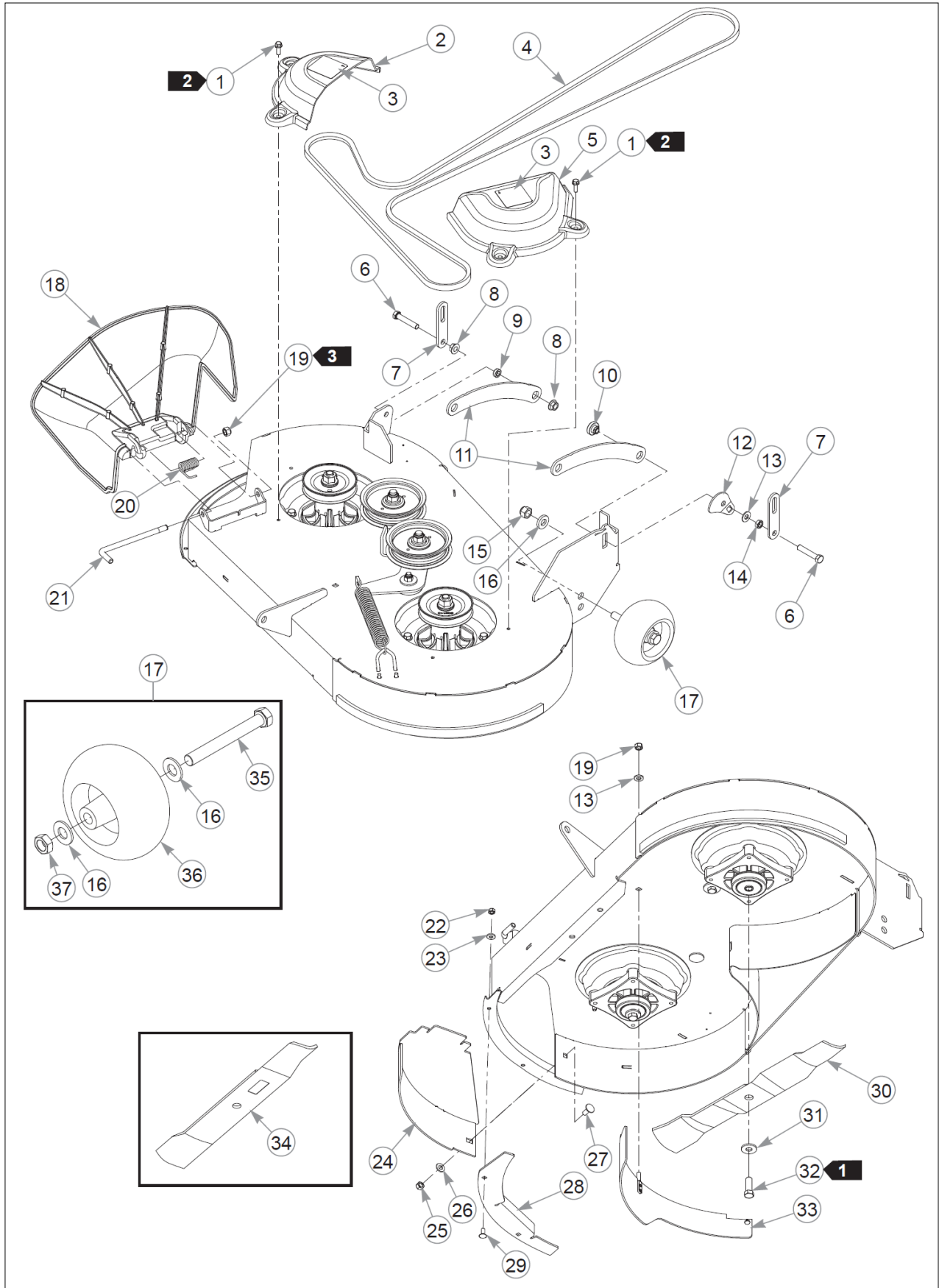
Item	Part No.	Name	Qty	Uom
1	781567	NT .500-13NLG5	2	EA
2	767962	FW .531 x 1.063 x .175	2	EA
3	603986	IDLER PULLEY, 4.00" FLAT	1	EA
4	086660	NT .375-16NLG8	1	EA
5	712893	FW 0.406X1.25X.12 HD ZY	2	EA
6	119936	IDLER ARM, PIVOTING 36"	1	EA
7	605379	SPRING, EXTENSION	1	EA
8	604110	ANCHOR, SPRING TENSIONER	1	EA
9	604251	NT .312-18 HXNL JAM G2ZN	1	EA
10	768523	FW 0.343SAE	9	EA
11	601839	PIVOT SPACER BUSHING	1	EA
12	117539	SPACER, IDLER ARM	1	EA
13	604253	CB .50-13 X 2.00 STD ZN	1	EA
14	606943	NT .562-18 HX NLG5	2	EA
15	605443	DRIVE PULLEY-36"	2	EA
16	604123	SPACER, PULLEY	2	EA
17	604219	IDLER PULLEY, 4.00" FLAT	1	EA
18	036236	CS .312-18X1.000HXG5	8	EA
19	083147	CB .312-18X .620 G5 ZN	1	EA
20	080655	CS .375-16X1.500HXG5	1	EA
21	604254	CB .50-13 X 2.50 STD ZN	1	EA
22	604214	SPINDLE ASSY, RAPTOR	2	EA

Comments for Page: 36" Deck Pulleys & Spindles

jmumford@excelii.com on Mar 28, 2016

1. Torque to 24 N•m.
2. Torque to 99 N•m.
3. Torque to 41 N•m.
4. Torque to 68–102 N•m.

Deck



Item	Part No.	Name	Qty	Uom
1	604324	CS .250-20 X .75 HX FLG	4	EA
2	605254	PULLEY COVER	1	EA
3	602562	DECAL, NO SERVICE	2	EA
4	771824	BELT, A 117" EL	1	EA
5	604403	PULLEY COVER	1	EA
6	606593	CS .375-16x2.00 HXG5 P85	2	EA
7	116157	LINK, DECK LIFT	2	EA
8	016899	NT .375-16 FLKG5	2	EA
9	601839	PIVOT SPACER BUSHING	1	EA
10	605016	NUT, DECK LEVELING	1	EA
11	116155	DECK LINK	2	EA
12	116911	CAM, DECK LEVELER	1	EA
13	768523	FW 0.343SAE	2	EA
14	706168	NT .375-16JAMG5	1	EA
15	781567	NT .500-13NLG5	1	EA
16	767962	FW .531 x 1.063 x .175	3	EA
17	788166	WHEEL ASSY, ANTI SCALP	1	EA
18	604268	DISCHARGE CHUTE	1	EA
19	058776	NT .312-18NLG5	2	EA
20	604331	CHUTE SPRING	1	EA
21	604346	PIN, DISCHARGE CHUTE	1	EA
22	068551	NT .250-20 HXZY NL	2	EA
23	768515	FW 0.281SAE	2	EA
24	117486	MULCH, CLOSE OFF W/A	1	EA
25	058776	NT .312-18NLG5	1	EA
26	768523	FW 0.343SAE	1	EA
27	016253	CB .312-18X .750 FUL ZN	1	EA
28	120526	EXTENSION, TOE GUARD 36"	1	EA
29	601503	CS .250-20X0.75 HX G5 ZY	2	EA

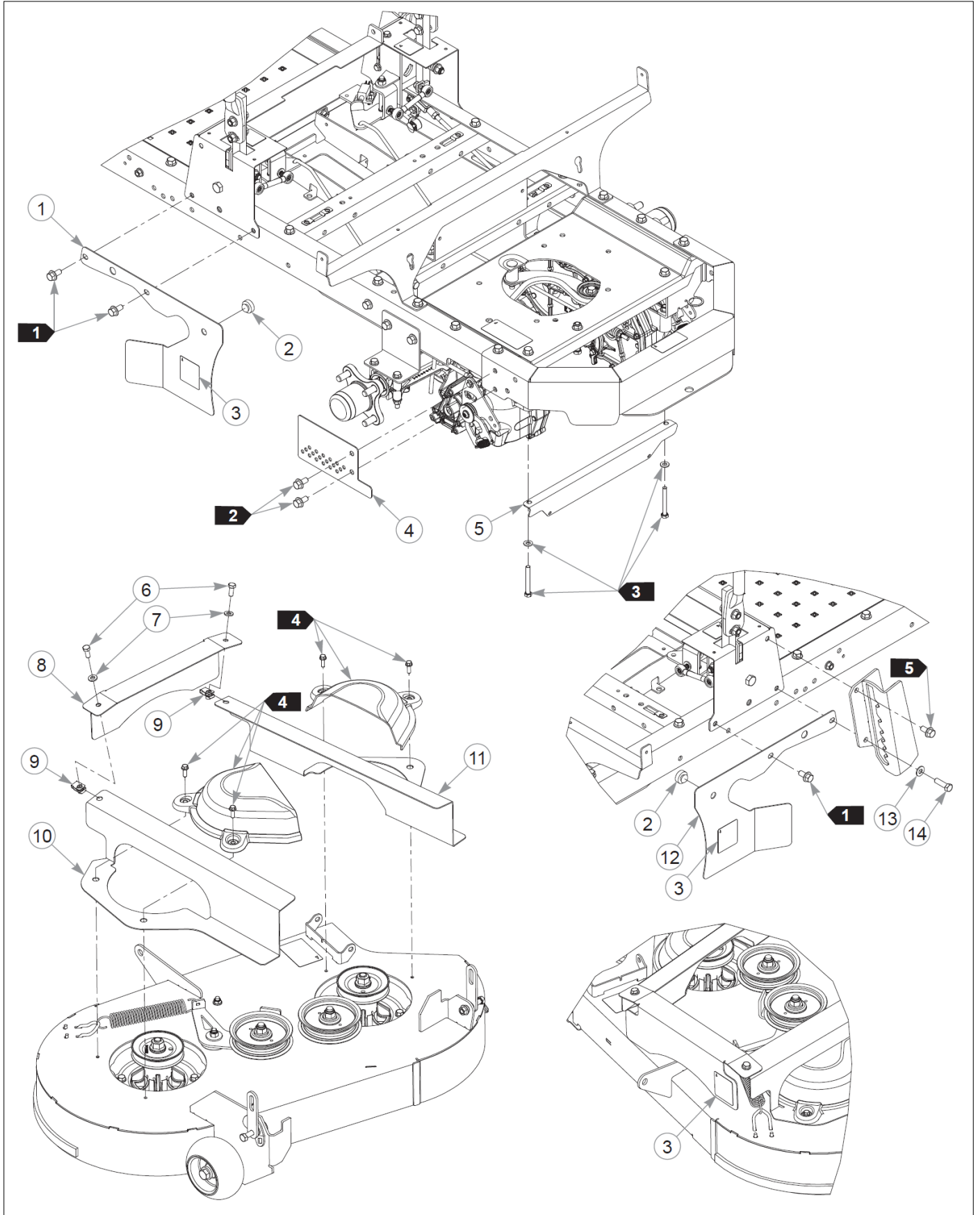
Item	Part No.	Name	Qty	Uom
30	794198	BLADE,17.86"-MUL-F-CW	2	EA
31	602680	FW .453X1.12X.12 HRD ZY	2	EA
32	754101	CS .437-20X1.250HXG5	2	EA
33	117478	MULCH, WRAPPER LEFT W/A	1	EA
34	783753	BLADE,17.86"-L-F-CW	2	EA
Not Shown	603995	BLADE, 17.86" -M-F-CW	2	EA
Not Shown	787721	BLADE,17.86"-H-F-CW	2	EA
Not Shown	603848	BLADE, 17.86"-CAT-F-CW	2	EA
Not Shown	785436	BLADE,17.86"-GAT-F-CW	2	EA
35	781708	CS .500-13X4.25 HX G5 ZY	1	EA
36	031997	ANTI-SCALP WHEEL	1	EA
37	053199	NT .500-13JAMG5	1	EA

Comments for Page: 36" Deck

jmumford@excelii.com on Apr 29, 2015

1. Torque to 65 N•m.
2. Torque to 3–7 N•m on these self-tapping screws.
3. Do not torque; the discharge chute must pivot freely.
4. The plastic wheel assembly (788166) includes hardware.

Deck



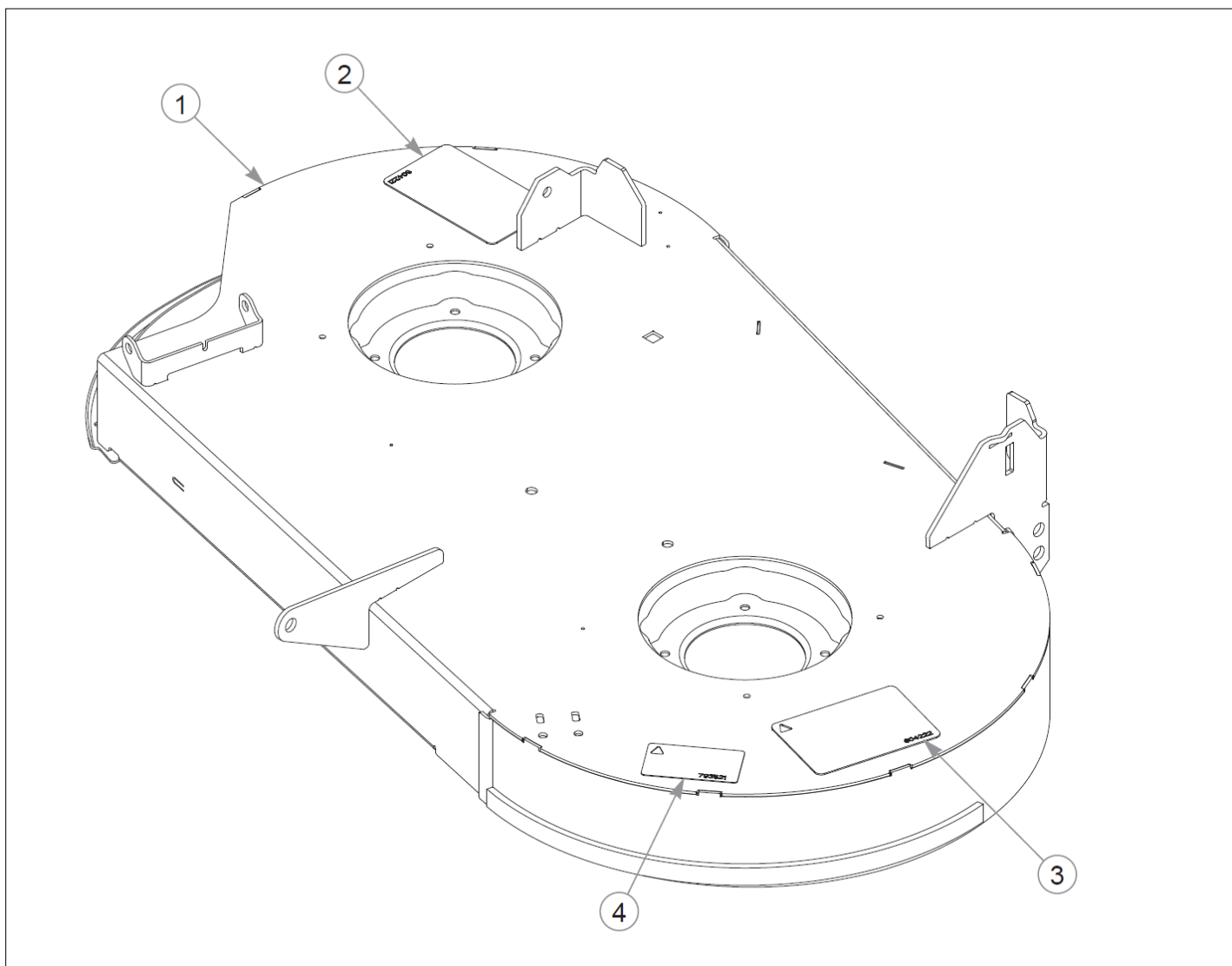
Item	Part No.	Name	Qty	Uom
1	552975	SVC GUARD, PULLEY BELT L	1	EA
2	781880	BUMPER, .500x 1.00x .31	2	EA
3	602562	DECAL, NO SERVICE	3	EA
4	120855	GUARD, TRANS. SIDE, CE	2	EA
5	120838	GUARD, RAPTOR CLUTCH, CE	1	EA
6	034280	CS .312-18X0.750HXG5	2	EA
7	768523	FW 0.343SAE	2	EA
8	552977	SVC GUARD, FRONT DECK	1	EA
9	601069	CN .312-18x.200 MAX THK	2	EA
10	121548	CE GUARD, LHS DECK	1	EA
11	121549	CE GUARD, RHS DECK	1	EA
12	552976	SVC GUARD, PULLEY BELT R	1	EA
13	767954	FW 0.379X.82X.06 HD ZY	1	EA
14	052860	CS .375-16X1.25 HX G5 ZY	1	EA

Comments for Page: 36" Guards - S/N Prior to 16018149

jmumford@excelii.com on Apr 29, 2015

1. Part of the Steering Cover Assembly.
2. Part of the Frame.
3. Part of the Hydraulic System.
4. Part of the Deck.
5. Part of the Deck Lift.
6. The LS belt guard (552975), front deck guard (552977) and RS belt guard (552976) include decals.

Deck



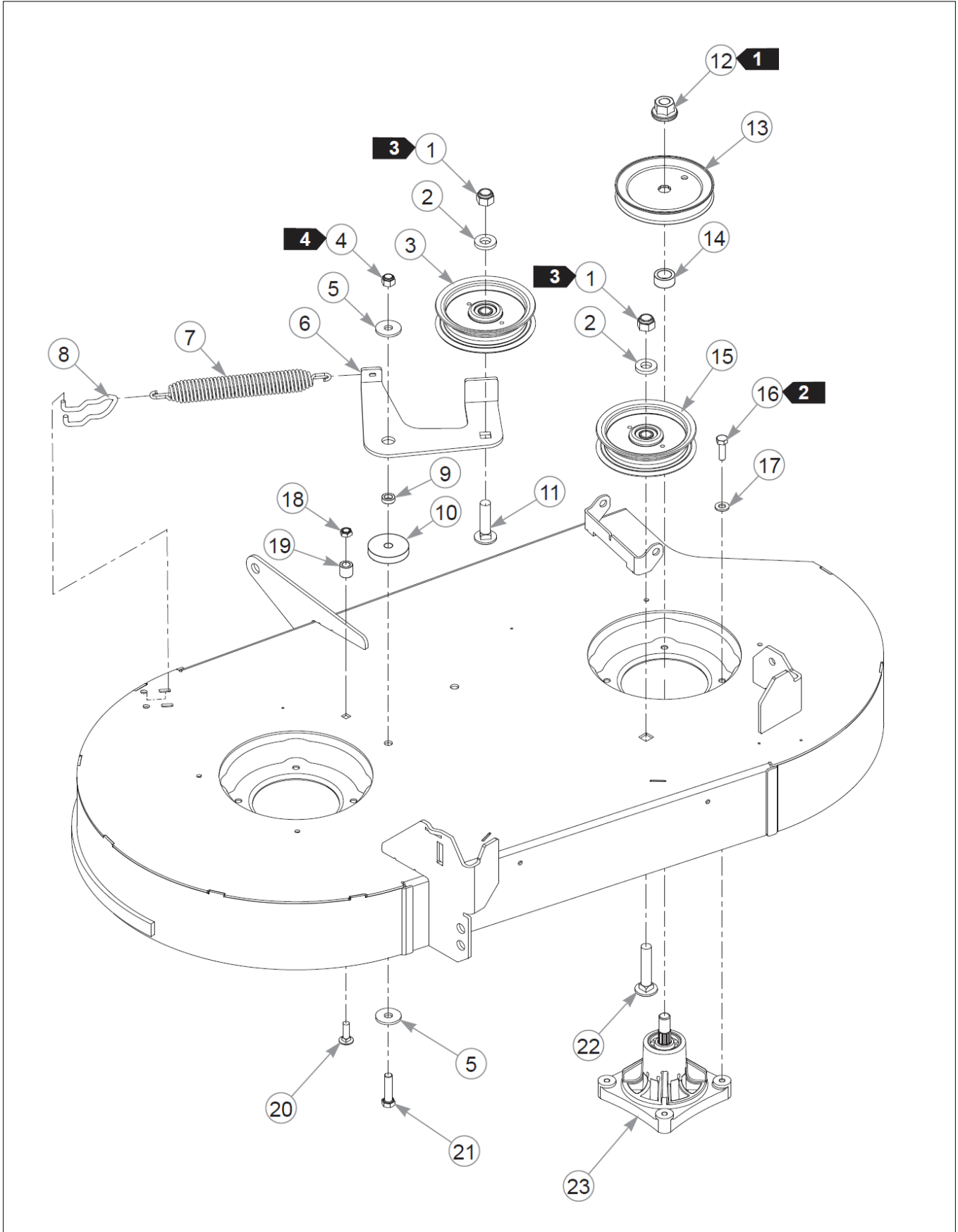
Item	Part No.	Name	Qty	Uom
1	551896	SVC, DECK DECAL ASSY	1	EA
2	604221	DECAL, DANGER / CHUTE	1	EA
3	604222	DECAL, DANGER / OBJECTS	1	EA
4	793521	DECAL,42 DECK ID	1	EA

Comments for Page: 42" Service Deck

jmumford@excelii.com on Mar 28, 2016

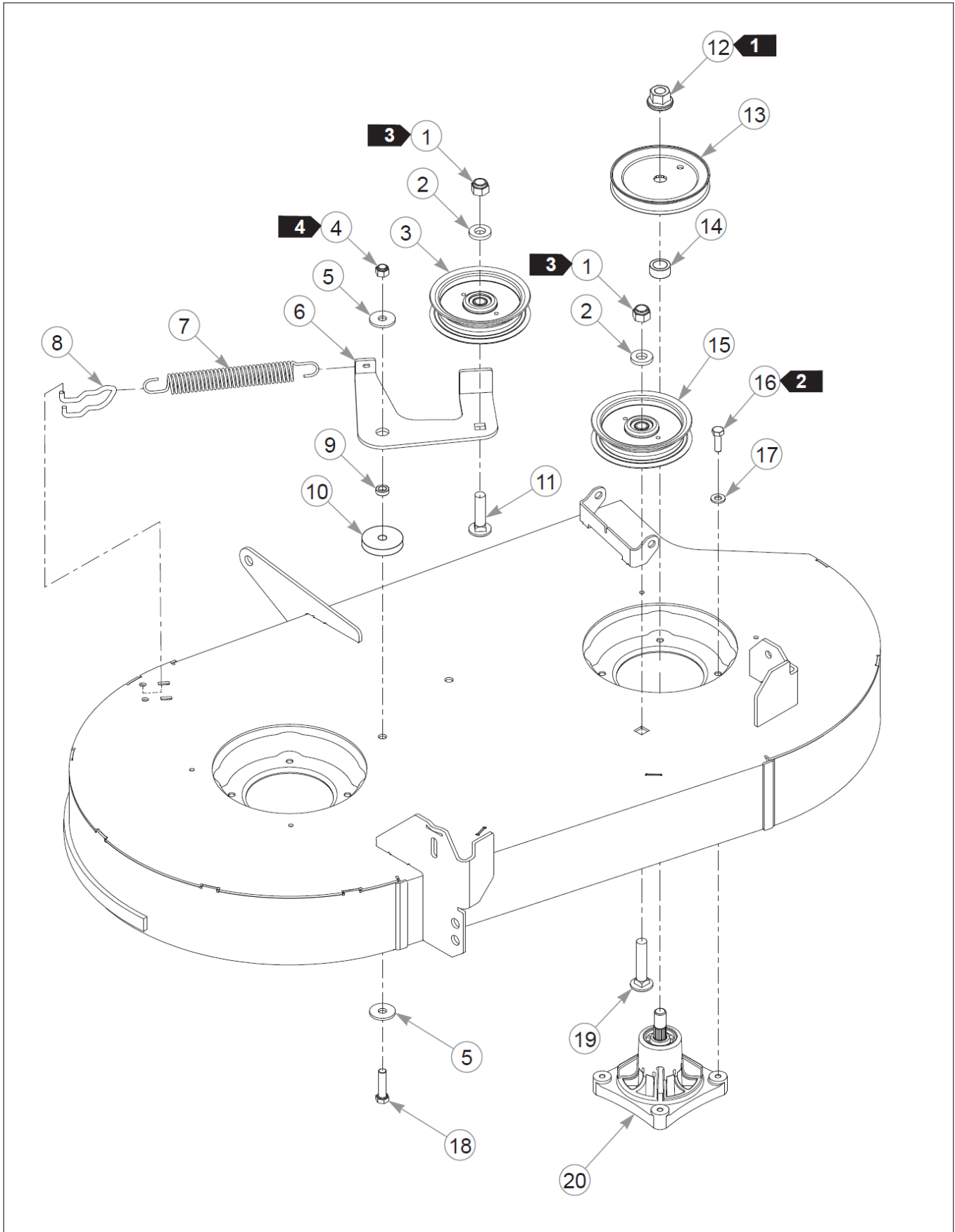
1. The deck includes decals.

Deck



Item	Part No.	Name	Qty	Uom
1	781567	NT .500-13NLG5	2	EA
2	767962	FW .531 x 1.063 x .175	2	EA
3	603986	IDLER PULLEY, 4.00" FLAT	1	EA
4	086660	NT .375-16NLG8	1	EA
5	712893	FW 0.406X1.25X.12 HD ZY	2	EA
6	117512	IDLER ARM, PIVOTING	1	EA
7	122388	SPRING	1	EA
8	604110	ANCHOR, SPRING TENSIONER	1	EA
9	601839	PIVOT SPACER BUSHING	1	EA
10	117539	SPACER, IDLER ARM	1	EA
11	604253	CB .50-13 X 2.00 STD ZN	1	EA
12	606943	NT .562-18 HX NLG5	2	EA
13	603987	PULLEY, 12 POINT	2	EA
14	604123	SPACER, PULLEY	2	EA
15	604219	IDLER PULLEY, 4.00" FLAT	1	EA
16	036236	CS .312-18X1.000HXG5	8	EA
17	768523	FW 0.343SAE	8	EA
18	604251	NT .312-18 HXNL JAM G2ZN	1	EA
19	122398	TENSIONING PULLEY STOP	1	EA
20	037887	CB .312-18X 1.000 FUL YZ	1	EA
21	080655	CS .375-16X1.500HXG5	1	EA
22	604254	CB .50-13 X 2.50 STD ZN	1	EA
23	604214	SPINDLE ASSY, RAPTOR	2	EA

Deck



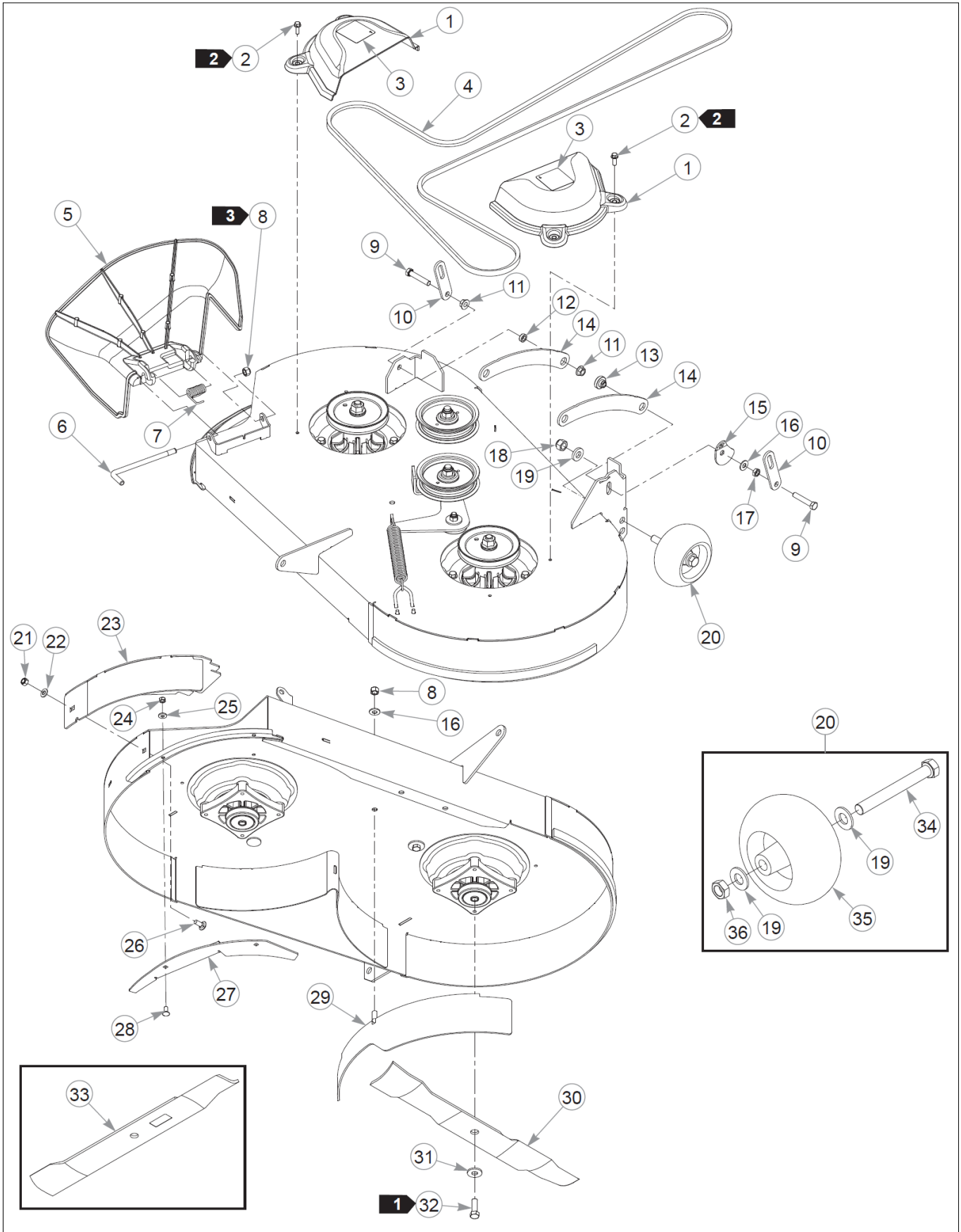
Item	Part No.	Name	Qty	Uom
1	781567	NT .500-13NLG5	2	EA
2	767962	FW .531 x 1.063 x .175	2	EA
3	603986	IDLER PULLEY, 4.00" FLAT	1	EA
4	086660	NT .375-16NLG8	1	EA
5	712893	FW 0.406X1.25X.12 HD ZY	2	EA
6	117512	IDLER ARM, PIVOTING	1	EA
7	122388	SPRING	1	EA
8	604110	ANCHOR, SPRING TENSIONER	1	EA
9	601839	PIVOT SPACER BUSHING	1	EA
10	117539	SPACER, IDLER ARM	1	EA
11	604253	CB .50-13 X 2.00 STD ZN	1	EA
12	606943	NT .562-18 HX NLG5	2	EA
13	603987	PULLEY, 12 POINT	2	EA
14	604123	SPACER, PULLEY	2	EA
15	604219	IDLER PULLEY, 4.00" FLAT	1	EA
16	036236	CS .312-18X1.000HXG5	8	EA
17	768523	FW 0.343SAE	8	EA
18	080655	CS .375-16X1.500HXG5	1	EA
19	604254	CB .50-13 X 2.50 STD ZN	1	EA
20	604214	SPINDLE ASSY, RAPTOR	2	EA

Comments for Page: 42" Deck Pulleys & Spindles - S/N Prior to 1601A762

jmumford@excelii.com on Apr 29, 2015

1. Torque to 68–102 N•m.
2. Torque to 24 N•m.
3. Torque to 99 N•m.
4. Torque to 41 N•m. The idler arm should pivot freely.

Deck



Item	Part No.	Name	Qty	Uom
1	552183	SVC PULLEY COVER CE	2	EA
2	604324	CS .250-20 X .75 HX FLG	4	EA
3	602562	DECAL, NO SERVICE	2	EA
4	793828	BELT,A 116" EL	1	EA
5	604268	DISCHARGE CHUTE	1	EA
6	604346	PIN, DISCHARGE CHUTE	1	EA
7	604331	CHUTE SPRING	1	EA
8	086660	NT .375-16NLG8	2	EA
9	606593	CS .375-16x2.00 HXG5 P85	2	EA
10	116157	LINK, DECK LIFT	2	EA
11	016899	NT .375-16 FLKG5	2	EA
12	601839	PIVOT SPACER BUSHING	1	EA
13	605016	NUT, DECK LEVELING	1	EA
14	116155	DECK LINK	2	EA
15	116911	CAM, DECK LEVELER	1	EA
16	767954	FW 0.379X.82X.06 HD ZY	2	EA
17	706168	NT .375-16JAMG5	1	EA
18	781567	NT .500-13NLG5	1	EA
19	767962	FW .531 x 1.063 x .175	3	EA
20	788166	WHEEL ASSY, ANTI SCALP	1	EA
21	058776	NT .312-18NLG5	1	EA
22	768523	FW 0.343SAE	1	EA
23	117747	MULCH, CLOSE OFF W/A	1	EA
24	068551	NT .250-20 HXZY NL	2	EA
25	768515	FW 0.281SAE	2	EA
26	016253	CB .312-18X .750 FUL ZN	1	EA
27	117663	EXTENSION, TOE GUARD	1	EA
28	601503	CS .250-20X0.75 HX G5 ZY	2	EA
29	109312	BAFFLE MULCH, COMMON	1	EA

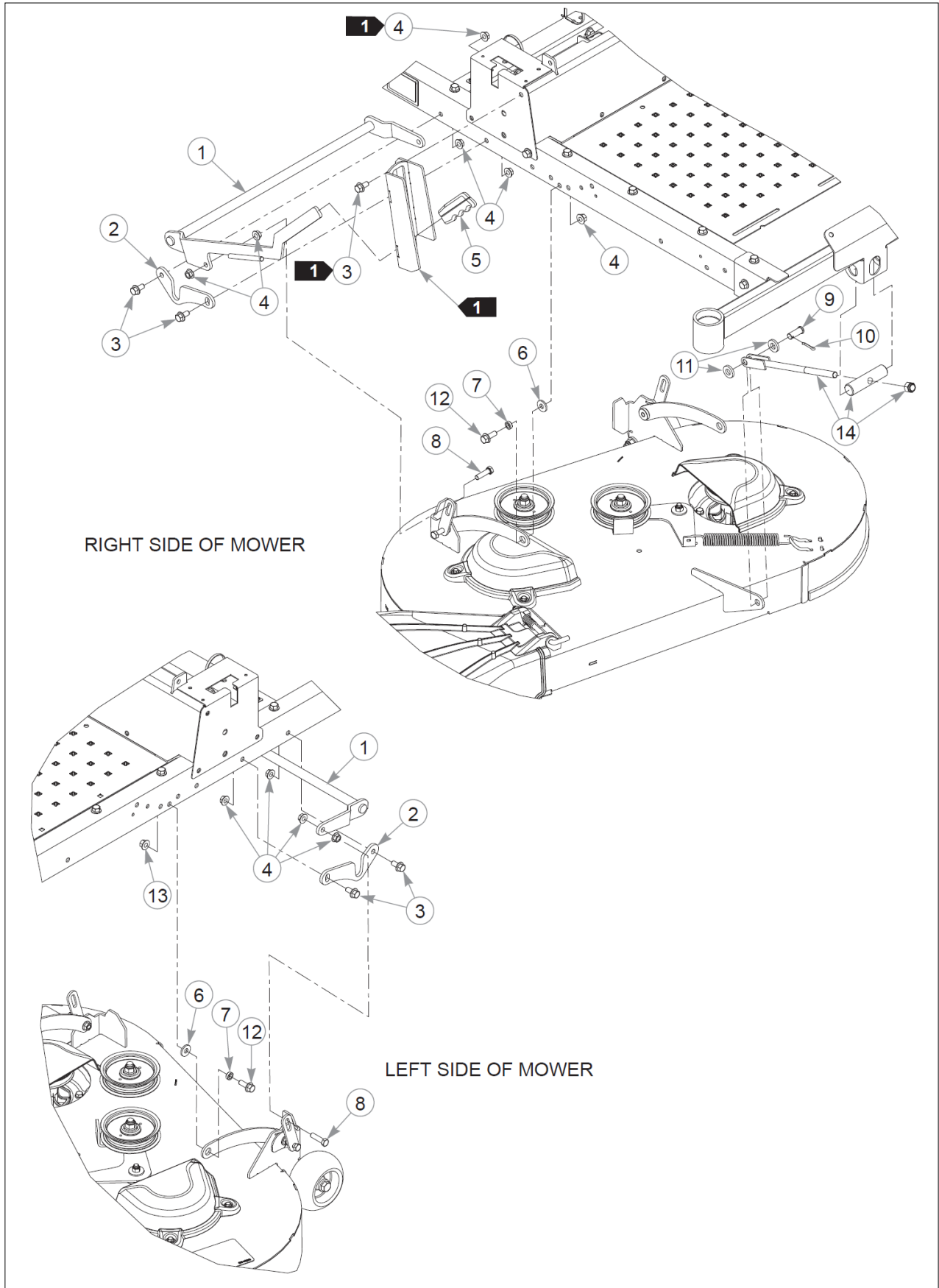
Item	Part No.	Name	Qty	Uom
30	794214	BLADE,20.50"-MUL-F-CW	2	EA
Not Shown	603992	BLADE, 20.50", -M-F-CW	2	EA
Not Shown	794685	BLADE, F20.50"-H-F-CW	2	EA
Not Shown	793935	BLADE,20.50"-CAT-F-CW	2	EA
Not Shown	794230	BLADE,20.50"GAT-F-CW	2	EA
31	602680	FW .453X1.12X.12 HRD ZY	2	EA
32	754101	CS .437-20X1.250HXG5	2	EA
33	793794	BLADE,20.50"-L-F-CW	2	EA
34	781708	CS .500-13X4.25 HX G5 ZY	1	EA
35	031997	ANTI-SCALP WHEEL	1	EA
36	053199	NT .500-13JAMG5	1	EA

Comments for Page: 42" Deck

jmumford@excelii.com on Apr 29, 2015

1. Torque to 65 N•m.2. Torque to 3–7 N•m on these 4 self-tapping screws.3. Do not torque; the discharge chute must pivot freely.

Deck



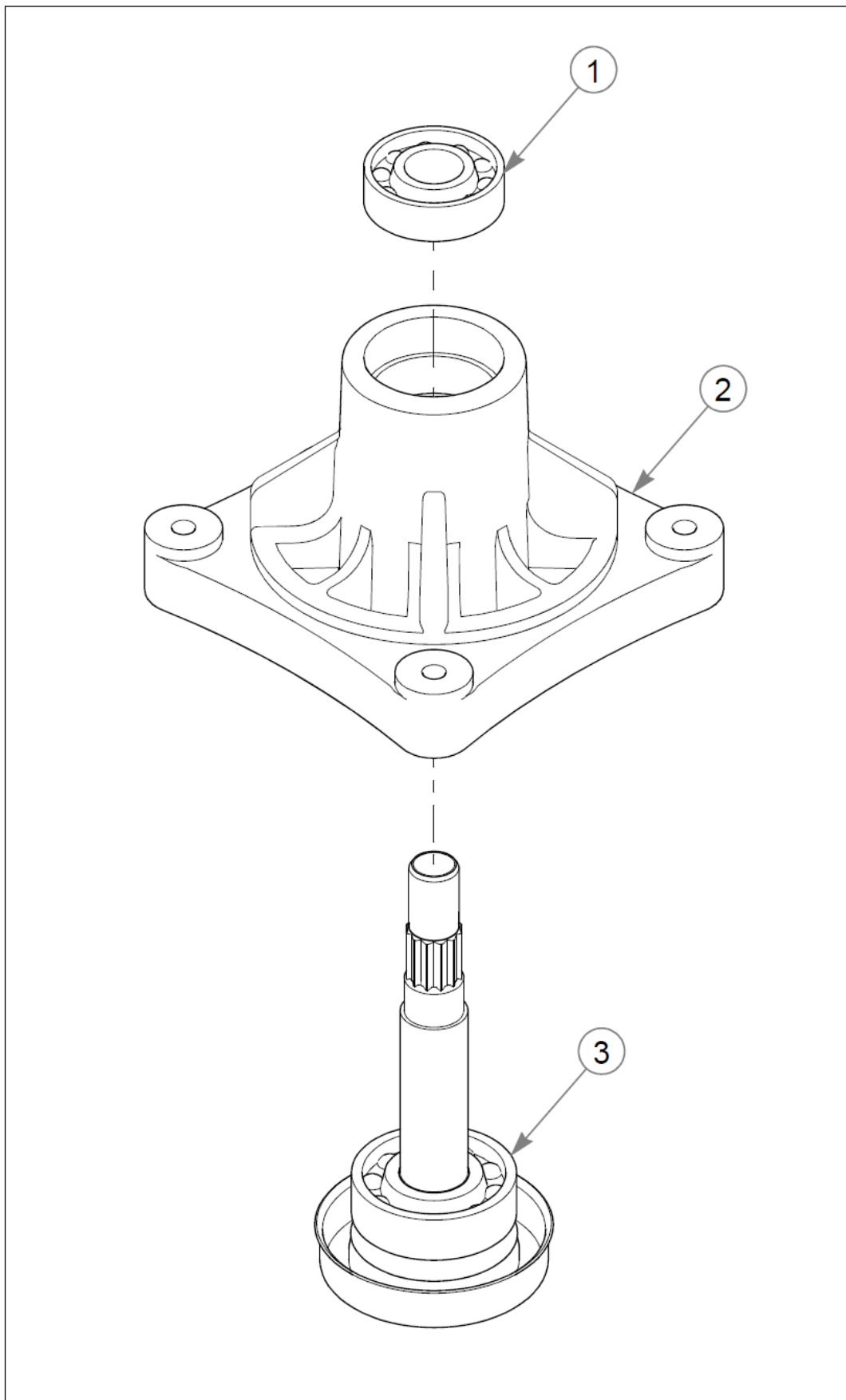
Item	Part No.	Name	Qty	Uom
1	116156	HANDLE W/A, DECK LIFT	1	EA
2	116151	PIVOT BLOCK, DECK LIFT	2	EA
3	029629	CS .375-16X0.75 HXF G5ZY	4	EA
4	016899	NT .375-16 FLKG5	8	EA
5	604377	GRIP, 1/4 X 1.000 BLACK	1	EA
6	712919	FW 0.406X1.00X.12 HD ZY	2	EA
7	601839	PIVOT SPACER BUSHING	2	EA
8	005116	CS .375-16X1.38 HX G5 ZY	2	EA
9	027714	CE0.500X1.250X.156X1.093	1	EA
10	017251	CP .156DX1.000 LG HML Z	1	EA
11	767962	FW .531 x 1.063 x .175	2	EA
12	029751	CS .375-16X1.00 HXF G5ZY	2	EA
13	604515	NT .375-16 FL NY GF	2	EA
14	121232	KIT, DECK PIVOT	1	EA
<p>Comments for Part Num. 121232</p> <p>jmumford@excelii.com on Sep 16, 2014</p> <p>Kit contains Heavy Duty Deck Lift Rod, Heavy Duty Deck Lift Pivot, and Nut..</p>				

Comments for Page: 36"/42" Deck Lift

jmumford@excelii.com on Apr 29, 2015

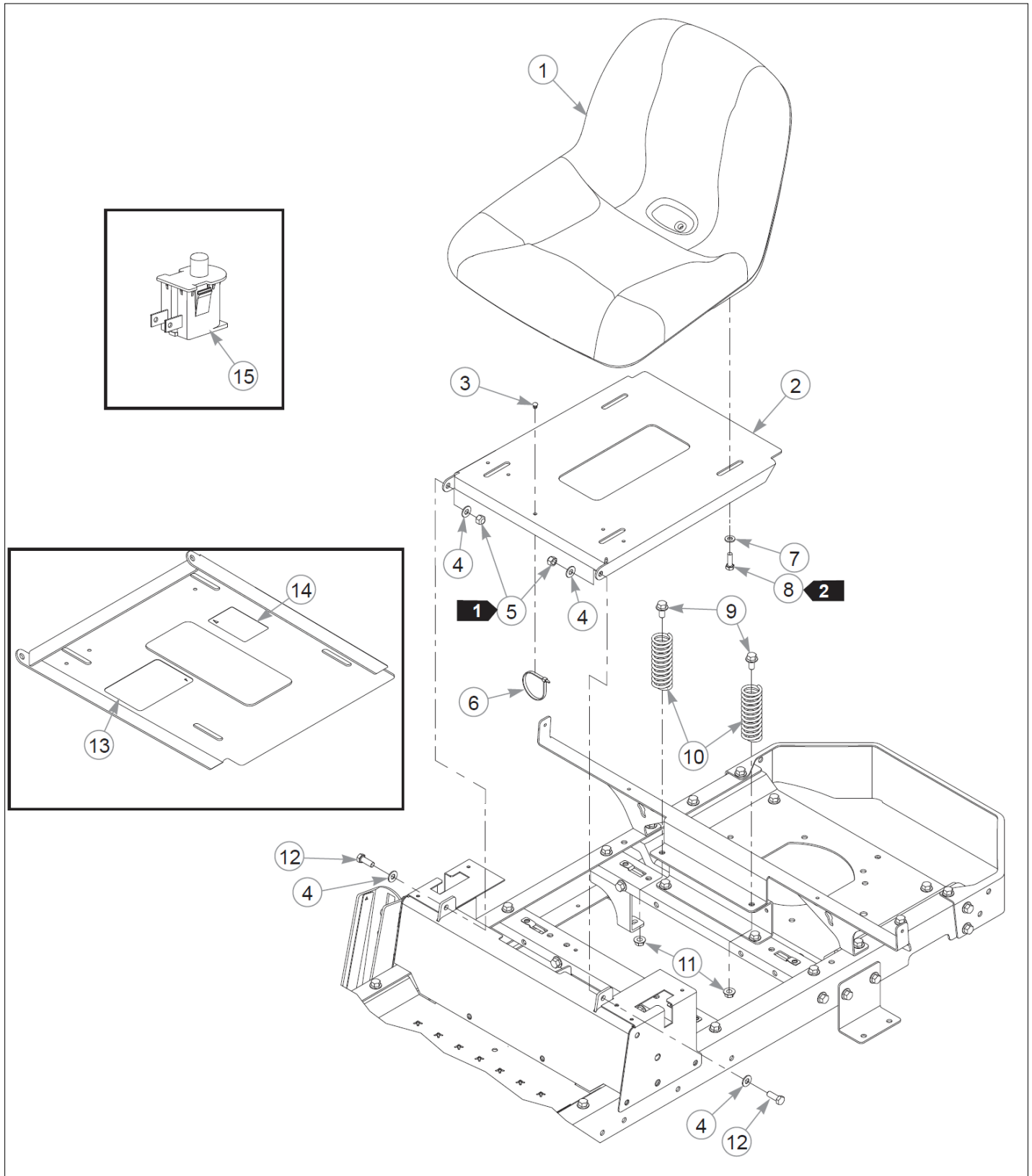
1. Parts located in the Transmission & Steering Section, Steering Cover Assembly page.

Deck



Item	Part No.	Name	Qty	Uom
1	604019	BEARING, SPINDLE	1	EA
2	604218	CAST HOUSING	1	EA
3	607274	SVC SHAFT, SPINDLE	1	EA

Seat



Item	Part No.	Name	Qty	Uom
1	601807	SEAT, MILSCO	1	EA
2	551897	SERVICE, SEAT PAN	1	EA
3	604307	MOUNT, PUSH BUTTON	1	EA
4	767954	FW 0.379X.82X.06 HD ZY	4	EA
5	086660	NT .375-16NLG8	2	EA
6	000331	WIRE TIE, SMALL/SHORT	1	EA
7	768523	FW 0.343SAE	4	EA
8	036236	CS .312-18X1.000HXG5	4	EA
9	029629	CS .375-16X0.75 HXF G5ZY	2	EA
10	793851	SPRING,COMP 1.25X4.00X.	2	EA
11	016899	NT .375-16 FLKG5	2	EA
12	036244	CS .375-16X1.00 HX G5 ZY	2	EA
13	601815	DECAL, BATTERY WARNINGS	1	EA
14	602243	DECAL, BELT ROUTING	1	EA
Not Shown	781419	DECAL, BELT ROUTING	1	EA
15	793315	SWITCH, SEAT	1	EA

Appendix A:Pages Index	Wheel & Tire - 42" Mowers	5-2
36" Deck		8-3
36" Deck Pulleys & Spindles		8-2
36" Frame		3-1
36" Guards - S/N Prior to 16018149		8-4
36" Service Deck		8-1
36"/42" Deck Lift		8-9
42" Deck		8-8
42" Deck Pulleys & Spindles - S/N Prior to 1601A762		8-7
42" Deck Pulleys & Spindles—S/N 1601A762 & Higher		8-6
42" Frame		3-2
42" Service Deck		8-5
Battery		7-1
Drive Wheel Breakdown - 36" Mowers		5-4
Drive Wheel Breakdown - 42" Mowers		5-5
Engine (PG 1 of 2)		6-1
Engine (PG 2 of 2)		6-2
Engine Service Parts		6-3
Fenders & Instrument Panel		3-3
Front Wheel Breakdown		5-3
Fuel System		6-4
General Information		1
Hydraulic System		4-1
Seat		9-1
Spindle Assembly		8-10
Steering & Brake - S/N Prior to 16025348		4-6
Steering & Brake—S/N 16025348 & Higher		4-5
Steering Cover Assembly		4-7
Transmission Assembly		4-2
Transmission Service Parts - Left Side		4-4
Transmission Service Parts - Right Side		4-3
Wheel & Tire - 36" Mowers		5-1

Appendix B:Parts Index

000323 6-2	055939 3-3, 4-7, 6-2, 6-4, 7-1
000331 3-1, 3-2, 3-3, 6-1, 6-2, 6-4, 7-1, 9-1	056036 4-2
005108 4-7	058776 4-1, 4-7, 8-3, 8-3, 8-8
005116 8-9	059832 3-3
015818 6-2	061077 5-1, 5-2
016253 8-3, 8-8	063198 4-7
016899	. 3-1, 3-2, 3-3, 4-1, 4-5, 4-6, 4-7, 6-1, 6-2, 8-3, 8-8, 8-9, 9-1	068478 6-3
017251 8-9	068551 4-2, 4-5, 4-6, 8-3, 8-8
019521 5-4, 5-5	080655 4-1, 4-6, 8-2, 8-6, 8-7
023655 4-5	083147 8-2
024927 6-2, 7-1	086660 4-1, 4-7, 8-2, 8-6, 8-7, 8-8, 9-1
027714 8-9	109312 8-8
029629 3-1, 3-2, 3-3, 4-5, 4-6, 4-7, 8-9, 9-1	110116 5-3
029751 3-1, 3-2, 4-5, 4-6, 8-9	110370 4-5, 4-6
029868 7-1	114052 3-3
029876 6-2	116141 4-7
030817 6-2	116142 4-7
031997 8-3, 8-8	116143 4-2
033035 6-4	116144 4-5, 4-6
034272 4-5, 4-6	116151 8-9
034280 8-4	116155 8-3, 8-8
036236 8-2, 8-6, 8-7, 9-1	116156 8-9
036244 4-5, 6-1, 6-2, 9-1	116157 8-3, 8-8
037887 8-6	116218 4-1
041152 4-5, 4-6	116287 4-1
043067 4-1	116289 4-1
044255 6-2	116290 6-1, 6-2
045898 3-3	116911 8-3, 8-8
048553 4-5, 4-6	117059 6-4
052860 8-4	117060 6-4
053199 8-3, 8-8	117478 8-3
054502 4-1, 4-2, 4-6	117486 8-3
		117512 8-6, 8-7
		117539 8-2, 8-6, 8-7

117663	8-8	552704	3-1
117747	8-8	552705	8-1
119718	3-1, 3-2	552809	3-3
119936	8-2	552810	3-3
120526	8-3	552975	8-4
120838	8-4	552976	8-4
120855	8-4	552977	8-4
121232	8-9	553148	3-1, 3-2
121548	8-4	553505	3-3
121549	8-4	600899	3-1, 3-2
122388	8-6, 8-7	601051	4-2
122398	8-6	601053	3-3
123634-3	4-2	601069	4-5, 4-6, 8-4
123636-3	3-1, 3-2	601096	3-3
123637-3	3-1, 3-2	601097	3-3
306969	5-3	601098	3-3
344267	5-1, 5-2	601131	4-2
551698	4-7	601400	6-4
551857	3-1, 3-2	601433	4-3, 4-4
551858	3-1, 3-2	601503	8-3, 8-8
551859	3-1, 3-2	601807	9-1
551860	3-1, 3-2	601815	9-1
551861	3-1, 3-2	601820	5-5
551862	3-1, 3-2	601822	4-7
551863	3-1, 3-2	601839	8-2, 8-3, 8-6, 8-7, 8-8, 8-9
551865	3-1, 3-2	601967	3-1, 3-2
551867	3-2	601981	3-1, 3-2
551868	3-1, 3-2	601982	3-1, 3-2, 3-3, 7-1
551896	8-5	602041	3-1, 3-2
551897	9-1	602094	4-3, 4-4
551898	3-3	602243	9-1
551912	4-7	602407	3-3
552183	8-8	602562	8-3, 8-4, 8-8
552570	3-1, 3-2	602580	6-1, 6-2

602581	6-3	604240	6-3
602680	6-1, 6-2, 8-3, 8-8	604244K	6-1, 6-2
602971	6-1, 6-2	604251	8-2, 8-6
602999	6-1, 6-2	604253	8-2, 8-6, 8-7
603332	4-6	604254	8-2, 8-6, 8-7
603524	6-2	604267	5-5
603807	6-4	604268	8-3, 8-8
603848	8-3	604271	6-1, 6-2
603905	4-5, 4-6	604273	6-4
603907	4-1	604274	6-2
603983	4-5, 4-6	604275	4-7
603986	8-2, 8-6, 8-7	604279	6-4
603987	8-6, 8-7	604288	4-7
603992	8-8	604292	6-4
603995	8-3	604299	4-7
604013	5-2	604300	4-7
604019	8-10	604307	3-1, 3-2, 6-4, 9-1
604110	8-2, 8-6, 8-7	604322	6-4
604123	8-2, 8-6, 8-7	604323	6-4
604127	4-2	604324	3-3, 8-3, 8-8
604128	4-2	604331	8-3, 8-8
604173	4-5, 4-6	604343	4-1
604176	3-1, 3-2	604346	8-3, 8-8
604177	3-1, 3-2	604350	6-1, 6-2
604178	7-1	604369	6-1, 6-2
604179	4-7	604377	8-9
604185	6-1, 6-2	604388	3-3
604195	4-7	604403	8-3
604196	3-3	604452	4-7
604214	8-2, 8-6, 8-7	604463	6-1, 6-2
604218	8-10	604465	7-1
604219	8-2, 8-6, 8-7	604487	4-1
604221	8-1, 8-5	604490	4-1
604222	8-1, 8-5	604491	4-1

604515	8-9	720516	6-2
604718	5-3	754101	8-3, 8-8
604876	3-1, 3-3	765339	4-7
604901	4-3	767954	4-1, 4-2, 4-5, 4-6, 6-1, 6-2, 8-4, 8-8, 9-1
604902	4-4	767962	5-3, 8-2, 8-3, 8-6, 8-7, 8-8, 8-9
604903	4-3, 4-4	768044	5-3
605016	8-3, 8-8	768515	4-2, 4-5, 4-6, 4-7, 6-2, 6-4, 7-1, 8-3, 8-8
605113	5-3	768523	4-1, 4-5, 4-6, 4-7, 8-2, 8-3, 8-3, 8-4, 8-6, 8-7, 8-8, 9-1
605254	8-3	771428	7-1
605261	5-1	771824	8-3
605262	5-4	772483	4-5, 4-6
605273	4-5, 4-6	772806	5-3
605379	8-2	772814	5-3
605433	5-4	776310	3-1, 3-2
605443	8-2	776476	3-3
605529	4-7	781153	4-7
605782	3-1, 3-2	781211	4-7
606105	4-7	781260	4-5, 4-6
606106	4-7	781419	9-1
606432	6-4	781567	4-7, 8-2, 8-3, 8-6, 8-7, 8-8
606575	4-5	781708	4-7, 8-3, 8-8
606593	8-3, 8-8	781880	8-4
606943	8-2, 8-6, 8-7	781922	4-5, 4-6
607274	8-10	783753	8-3
704932	3-3	784223	5-1, 5-2
705954	5-1, 5-2	784603	5-1, 5-2
706168	8-3, 8-8	785139	4-7
706549	4-1	785220	4-7
707398	5-3	785436	8-3
710087	4-1	785808	3-3
712893	4-1, 8-2, 8-6, 8-7	787721	8-3
712919	8-9	788166	8-3, 8-8
712976	5-1, 5-2	788877	4-3, 4-4
713198	6-4		

791251	6-1, 6-2
793315	9-1
793513	8-1
793521	8-5
793794	8-8
793828	8-8
793851	9-1
793935	8-8
794198	8-3
794214	8-8
794230	8-8
794685	8-8
794834CE	3-1, 3-2
795047	4-3, 4-4
798363	4-3, 4-4
798371	4-3, 4-4