

Hustler® Sport Parts Manual



HUSTLER®

ENGINEERING PERFORMANCE™

200 South Ridge Road
Hesston, Kansas
67062

Table of Contents

General Information

Service Literature	1-1
Options Available From Your Dealer.	1-1
Using This Manual	1-1
Standard Torques	1-2

Section 2

Side Discharge Frame—S/N 13051515 & Higher.	2-2
Side Discharge Frame—S/N Prior to 13051515.	2-4
Rear Discharge Frame	2-6
Engine Guard	2-8

Section 3

Hydraulic System, Side Discharge	3-2
Pump Belt, Side Discharge	3-4
Transmission Assembly, Side Discharge	3-6
Hydraulic System, Rear Discharge	3-8
Transmission Assembly, Rear Discharge	3-12
Transmission Service Parts	3-14
Steering	3-16
Steering Sub-Assembly.	3-18
Park Brake	3-20

Section 4

Wheel & Tire	4-2
Front Wheel Breakdown	4-4
Drive Wheel Breakdown	4-6

Section 5

Engine, Briggs & Stratton 17.5/21 HP—S/N 12030001 & Higher.	5-2
Fuel System, Briggs & Stratton 17.5/21 HP—S/N 12030001 & Higher	5-4
Engine, Briggs & Stratton 17.5/21 HP—S/N Prior to 12030001	5-6
Fuel System, Briggs & Stratton 17.5/21 HP—S/N Prior to 12030001	5-8
Engine, Briggs & Stratton 26 HP—S/N 12030001 & Higher.	5-12
Fuel System, Briggs & Stratton 26 HP—S/N 12030001 & Higher	5-16
Engine, Briggs & Stratton 26 HP—S/N Prior to 12030001	5-18
Fuel System, Briggs & Stratton 26 HP—S/N Prior to 12030001.	5-22
Engine, Kaw FR541V & FR600V—S/N 12030001 & Higher	5-26
Fuel System, Kaw FR541V & FR600V—S/N 12030001 & Higher	5-28
Engine, Kaw FR541V & FR600V—S/N Prior to 12030001	5-30
Fuel System, Kaw FR541V & FR600V—S/N Prior to 12030001	5-32
Engine, Kaw FR651V—S/N 12030001 & Higher	5-34
Fuel System, Kaw FR651V—S/N 12030001 & Higher	5-36
Engine, Kaw FR651V—S/N Prior to 12030001.	5-38
Fuel System, Kaw FR651V—S/N Prior to 12030001	5-40
Engine, Kaw FR691V	5-42
Fuel System, Kaw FR691V.	5-44
Engine Service Parts, Kaw FR541V & FR600V	5-46

Engine Service Parts, Kaw FR651V	5-47
Engine Service Parts, Kaw FS691V	5-48
Fuel Tank, Fender—S/N Prior to 11010000 and S/N 12030001 & Higher	5-50
Fuel Tank & Fender—S/N 11010000 to 12030001	5-52
Fuel Tank Service Parts—S/N 11010000 to 12030001	5-55

Section 6

Battery	6-2
Instrument Panel—17 HP & 21 HP Briggs & Stratton	6-4
Instrument Panel, 26 HP Briggs & Stratton	6-6
Instrument Panel, Kawasaki	6-8

Section 7

36" Rear Discharge Service Deck	7-2
36" Rear Discharge Deck Pulleys & Spindles	7-4
36" Rear Discharge Deck	7-6
42" Side Discharge Service Deck	7-8
42" Side Discharge Deck Pulleys & Spindles	7-10
42" Side Discharge Deck	7-12
48" Side Discharge Service Deck	7-14
48" Side Discharge Deck Pulleys & Spindles	7-16
48" Side Discharge Deck	7-18
54" Side Discharge Service Deck	7-20
54" Side Discharge Deck Pulleys & Spindles	7-22
54" Side Discharge Deck	7-24
Deck Lift	7-26
Deck Mounting Hardware	7-28

Section 8

Seat	8-2
----------------	-----

General Information

This manual covers Hustler® Sport models **930198EX, 930206EX, 930214EX, 930222EX, 930230EX, 930651EX, 932285EX, 932293EX, 932301EX & 933473EX.**

Service Literature

PART NO.	DESCRIPTION
602902	OPERATOR'S MANUAL
108934	GENERAL SERVICE MANUAL
114192EX	WARRANTY STATEMENT

Options Available From Your Dealer

PART NO.	DESCRIPTION	PART NO.	DESCRIPTION
929653	CATCHER, 2-BAG 42"	604436	ARMREST KIT
929828	CATCHER, 2-BAG 48"	333724	STEERING ARM EXTENSION KIT
929836	CATCHER, 2-BAG 54"	110737	LED LIGHT KIT
118174	MULCH KIT, 36" REAR DISCHARGE	111167	HOUR METER KIT
112609	MULCH KIT, 42"		
112953	MULCH KIT, 48"		
112611	MULCH KIT, 54"		
112614	CONTAINMENT KIT, 48"		
112615	CONTAINMENT KIT, 54"		

Note: When ordering parts, you must use the part number as shown for each part, not the index number. Always give the model and serial number to your parts and service representative.

Note: Items sold in bulk such as seals and hoses are sold by the foot.

Using This Manual

This manual is part of a service package for the Hustler® mowers. Use of this manual in conjunction with other Hustler® mower and component manuals will provide the information necessary to service and maintain Hustler® mowers.

This Parts Manual provides a complete parts listing for the unit. Use this manual when ordering parts. Illustrations used were current at the time of printing, but subsequent production changes may cause your machine to vary slightly in detail. Excel Industries, Inc. reserves the right to redesign and change the machine as deemed necessary, without notification. If a change has been made to your machine which is not reflected in this parts manual, see your Hustler dealer for current information and parts.

The Service Manual is a service guide for use by Service Technicians. It provides the necessary information needed to perform normal maintenance requirements on these units. The Operator's Manual provides fundamental operational information and operational safety that is needed when operating the mower.

The component manuals are furnished by the various manufacturers to be used for the troubleshooting and servicing of their products.

Hardware Description Codes & Abbreviations

The following codes are used throughout this parts manual. Refer to this list when ordering parts.

ABBREVIATION	DESCRIPTION	ABBREVIATION	DESCRIPTION
CB	CARRIAGE BOLT	MB	MACHINE BUSHING
CE	CLEVIS PIN	MS	MACHINE SCREW
CN	CLIP NUT	NT	NUT
CP	COTTER PIN	SC	SELF TAPPING CAP SCREW
CS	CAP SCREW	SH	SOCKET HEAD
CW	CUP WASHER	SB	SHOULDER BOLT
FDRW	FENDER WASHER	SS	SET SCREW
FW	FLAT WASHER	OD	OUTSIDE DIAMETER
HX	HEX HEAD	ID	INSIDE DIAMETER
LW	LOCK WASHER		

Standard Torques

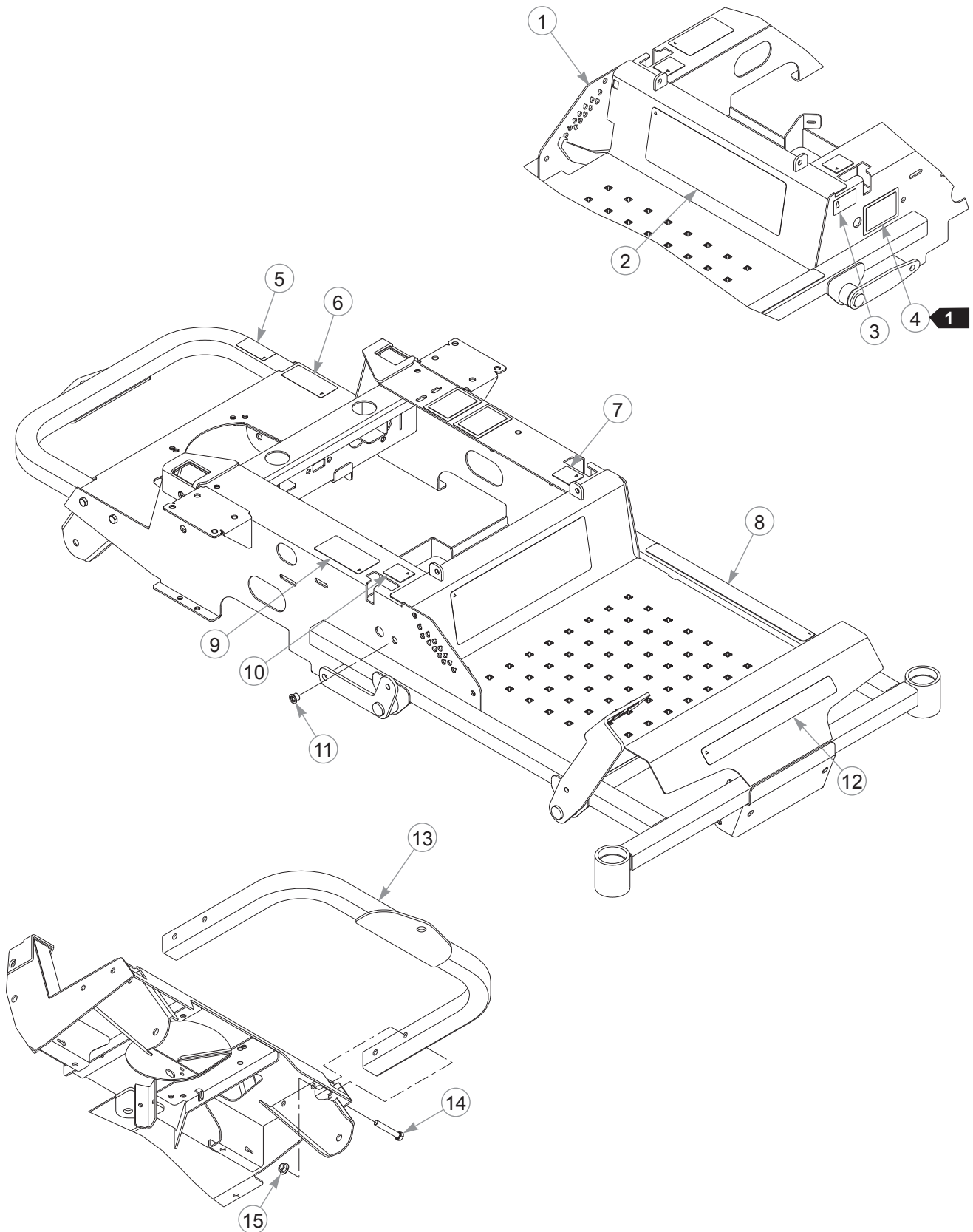
The following chart lists the standard torque values for the threaded fasteners found in this manual. Torque all cap screws, nuts and set screws to these values unless a different torque is shown in the Notes section next to the fastener.

SIZE	FT-LBS	N-M	SIZE	FT-LBS	N-M
.250	8.2	11.1	M3	1	1.3
.312	17	23	M4	2.2	3
.375	30	40	M5	4.5	6.1
.438	48	65	M6	7.7	10.4
.500	73	99	M8	18.5	25
.562	105	143	M10	37	50
.625	145	200	M12	64	87
.750	260	350	M14	80	108.5
.875	420	565	M16	160	215
1.00	625	850	M20	320	435
			M24	555	750

Section 2

Side Discharge Frame—S/N 13051515 & Higher	2-2
Side Discharge Frame—S/N Prior to 13051515	2-4
Rear Discharge Frame	2-6
Engine Guard.	2-8

Side Discharge Frame—S/N 13051515 & Higher



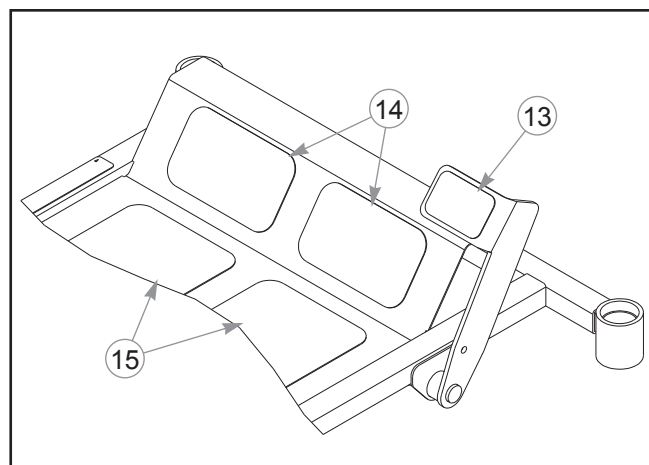
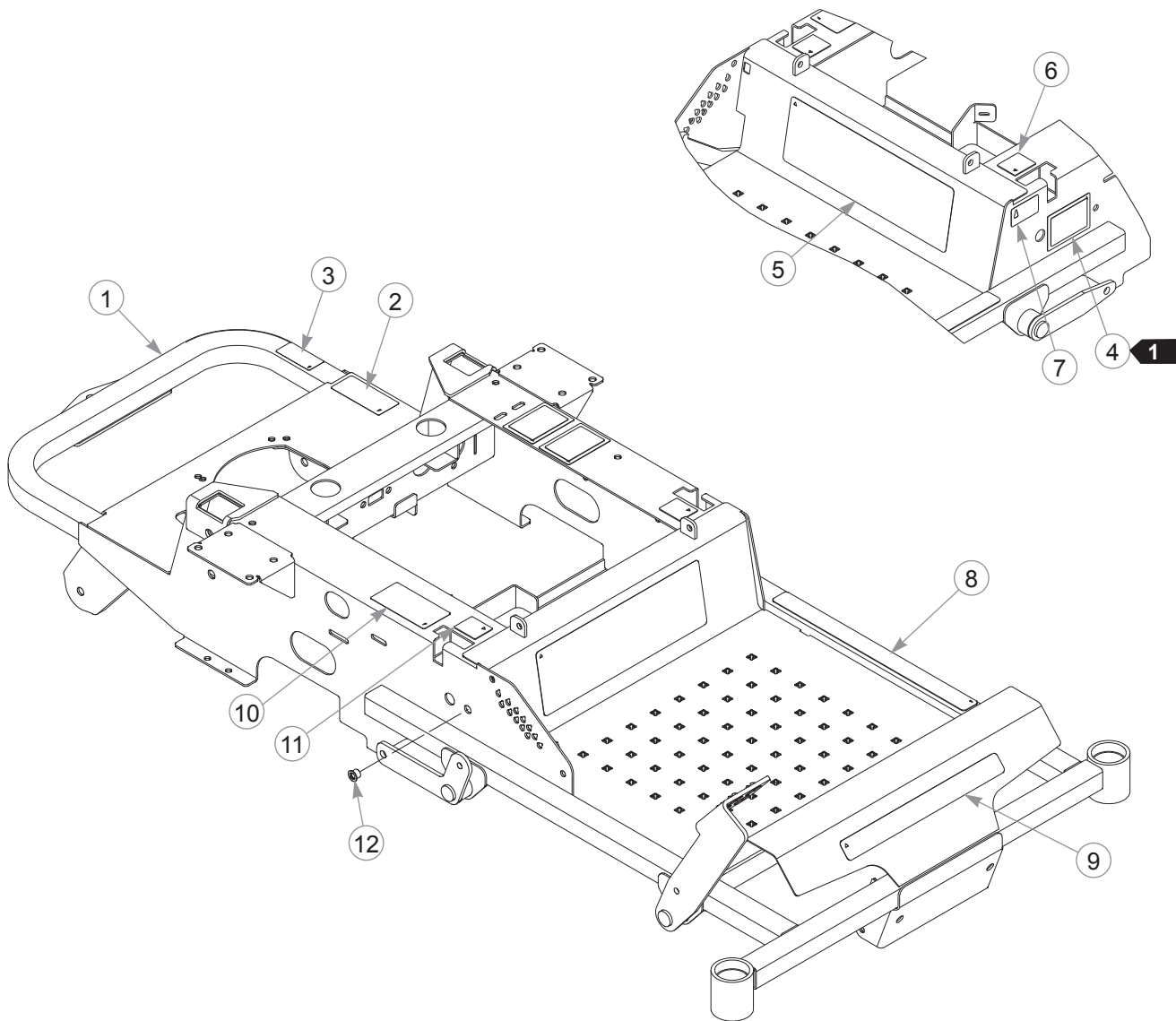
Side Discharge Frame—S/N 13051515 & Higher

INDEX NO.	PART NO.	QTY.	DESCRIPTION
1	550668	1	42" MOWER FRAME (WITH DECALS & RIVET NUTS)
	550669	1	48"/54" MOWER FRAME (WITH DECALS & RIVET NUTS)
2	601812	1	ID DECAL
3	727172	1	MADE IN USA DECAL
4	083279	1	SERIAL NUMBER / SPEC DECAL
5	602041	1	HOT DECAL
6	601967	1	ENGINE COMPARTMENT DECAL
7	785139	1	LS STEERING DECAL
8	601993	1	SAFE OPERATION DECAL
9	600899	1	PUMP BELT WARNING DECAL
10	785220	1	RS STEERING DECAL
11	808485	1	5/16-18 THREAD RIVET NUT
12	602407	1	HUSTLER ID DECAL
13	552098	1	BUMPER (WITH DECAL)
14	056036	4	CS .375-16 X 2.25 HX G5
15	016899	4	NT .375-16 HX FLK G5

NOTES:

1. Serial number plate. In the event the serial number tag becomes damaged or illegible, please contact your dealer to order a replacement.

Side Discharge Frame—S/N Prior to 13051515



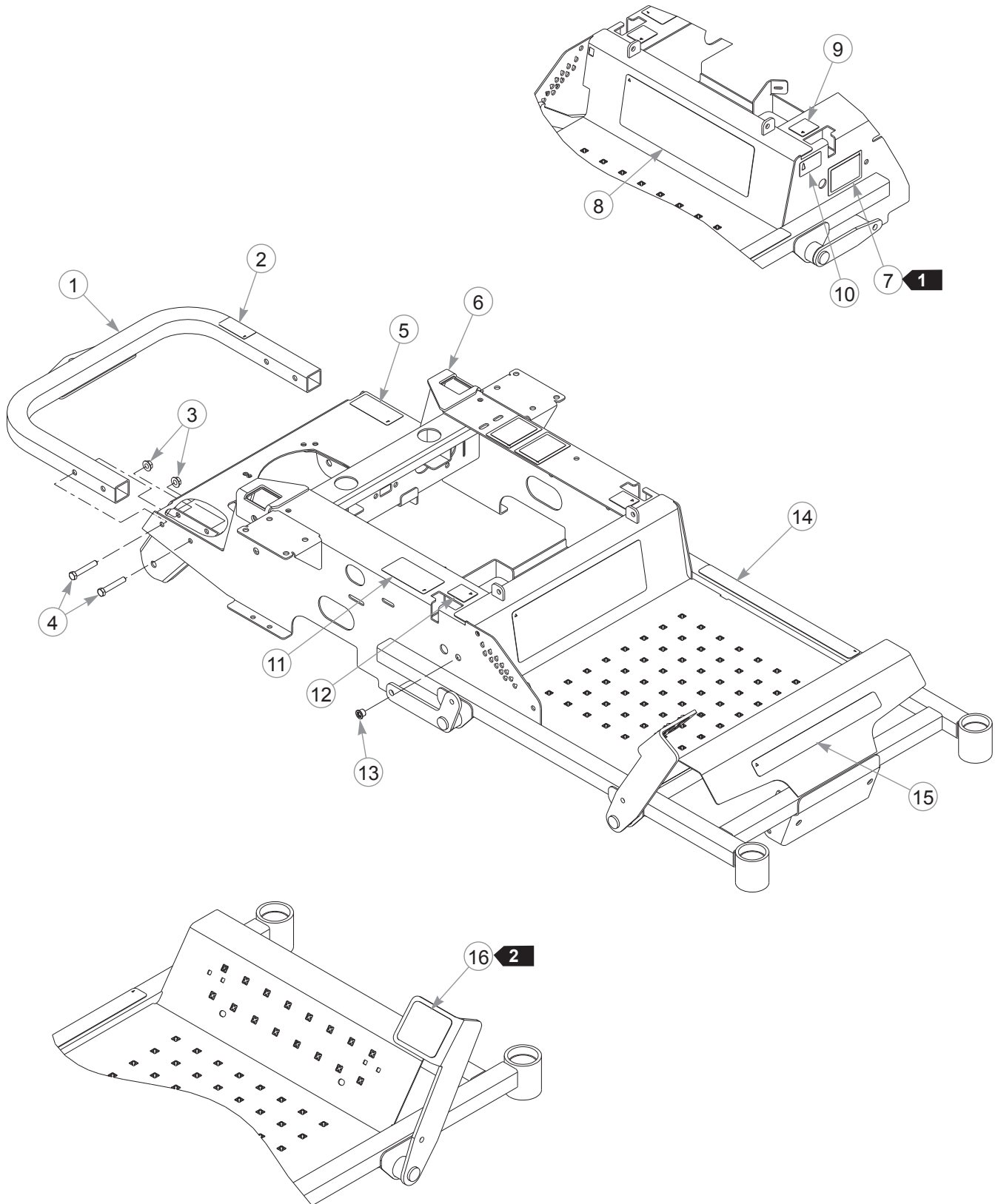
Side Discharge Frame—S/N Prior to 13051515

INDEX NO.	PART NO.	QTY.	DESCRIPTION
1	550668	1	42" MOWER FRAME (WITH DECALS & RIVET NUTS)
	550669	1	48"/54" MOWER FRAME (WITH DECALS & RIVET NUTS)
2	601967	1	ENGINE COMPARTMENT DECAL
3	602041	1	HOT DECAL
4	N/A	1	SERIAL NUMBER / SPEC DECAL
5	601812	1	ID DECAL
6	785139	1	LS STEERING DECAL
7	727172	1	MADE IN USA DECAL
8	601993	1	SAFE OPERATION DECAL
9	602407	1	HUSTLER ID DECAL
10	600899	1	PUMP BELT WARNING DECAL
11	785220	1	RS STEERING DECAL
12	808485	1	5/16-18 THREAD RIVET NUT
13	601987	1	STEP TREAD
14	110063	2	GRIP TAPE
15	601986	2	STEP TREAD, LOWER

NOTES:

1. Serial number plate. In the event the serial number tag becomes damaged or illegible, please contact your dealer to order a replacement.

Rear Discharge Frame



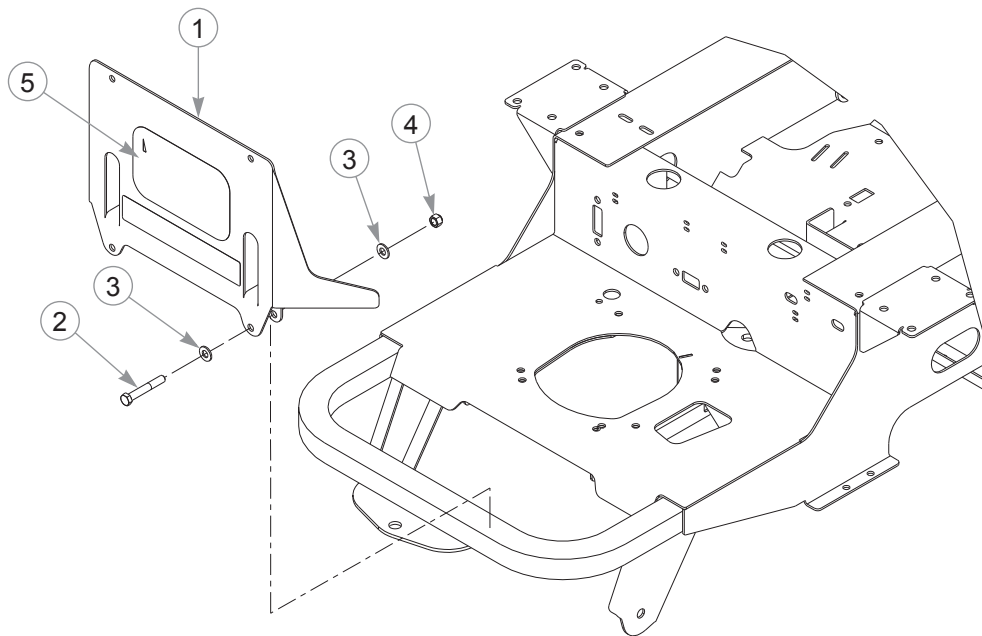
Rear Discharge Frame

INDEX NO.	PART NO.	QTY.	DESCRIPTION
1	110860	1	BUMPER
2	602041	1	HOT DECAL
3	016899	4	NT .375-16 HX FLK G5
4	056036	4	CS .375-16 X 2.25 HX G5
5	601967	1	ENGINE COMPARTMENT DECAL
6	551962	1	36" FRAME (WITH BUMPER, DECALS & RIVET NUTS)
7	N/A	1	SERIAL NUMBER / SPEC DECAL
8	601812	1	SPORT ID DECAL
9	785139	1	LS STEERING DECAL
10	727172	1	MADE IN USA DECAL
11	600899	1	PUMP BELT WARNING DECAL
12	785220	1	RS STEERING DECAL
13	808485	1	5/16-18 THREAD RIVET NUT
14	601993	1	SAFE OPERATION DECAL
15	602407	1	HUSTLER ID DECAL
16	601987	1	STEP TREAD

NOTES:

1. Serial number plate. In the event the serial number tag becomes damaged or illegible, please contact your dealer to order a replacement.
2. If the foot lift has a dimpled surface, the step tread is not needed.

Engine Guard



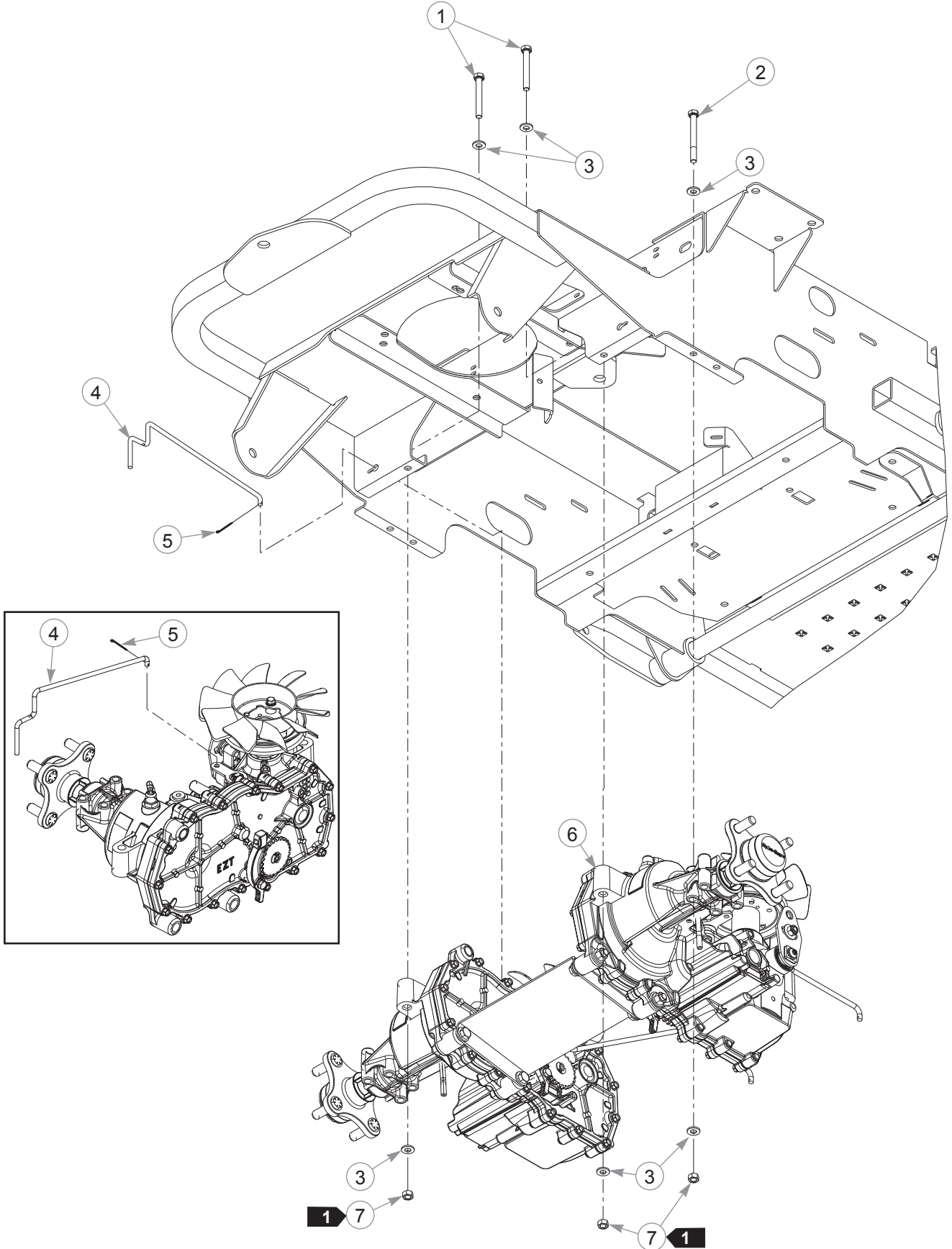
INDEX NO.	PART NO.	QTY	DESCRIPTION
1	111171	1	ENGINE GUARD KIT
2	016428	2	CS .375-16 X 2.50 HX G5
3	767954	4	FW .379 X .813 X .063
4	086660	2	NT .375-16 NL G5
5	604770	1	"H" LOGO DECAL

NOTES:

Section 3

Hydraulic System, Side Discharge	3-2
Pump Belt, Side Discharge	3-4
Transmission Assembly, Side Discharge	3-6
Hydraulic System, Rear Discharge	3-8
Transmission Assembly, Rear Discharge	3-12
Transmission Service Parts	3-14
Steering	3-16
Steering Sub-Assembly	3-18
Park Brake	3-20

Hydraulic System, Side Discharge



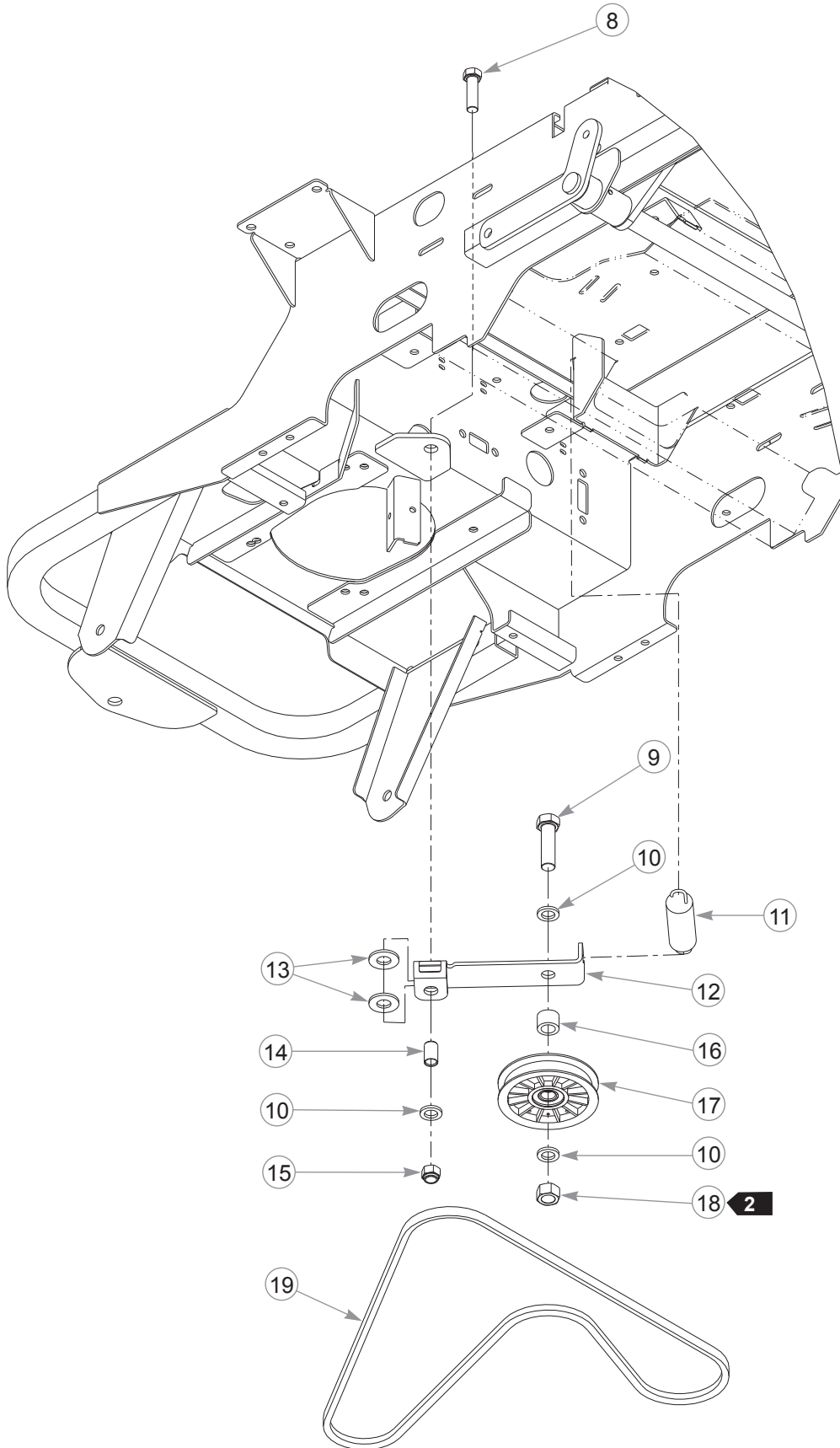
Hydraulic System, Side Discharge

INDEX NO.	PART NO.	QTY.	DESCRIPTION
1	710087	4	CS .312-18 X 2.50 HX G5
2	043067	4	CS .312-18 X 3.00 HX G5 Z
3	768523	16	FW .343 X .687 X .051/.080H
4	793174	2	TOWLINK ROD
5	048553	2	CP .062D X 1.00 LG HML Z
6	N/A	1	TRANSMISSION ASSEMBLY
7	034272	8	NT 0.312-18 HX G5

NOTES:

1. Torque to 17 ft-lbs.

Pump Belt, Side Discharge



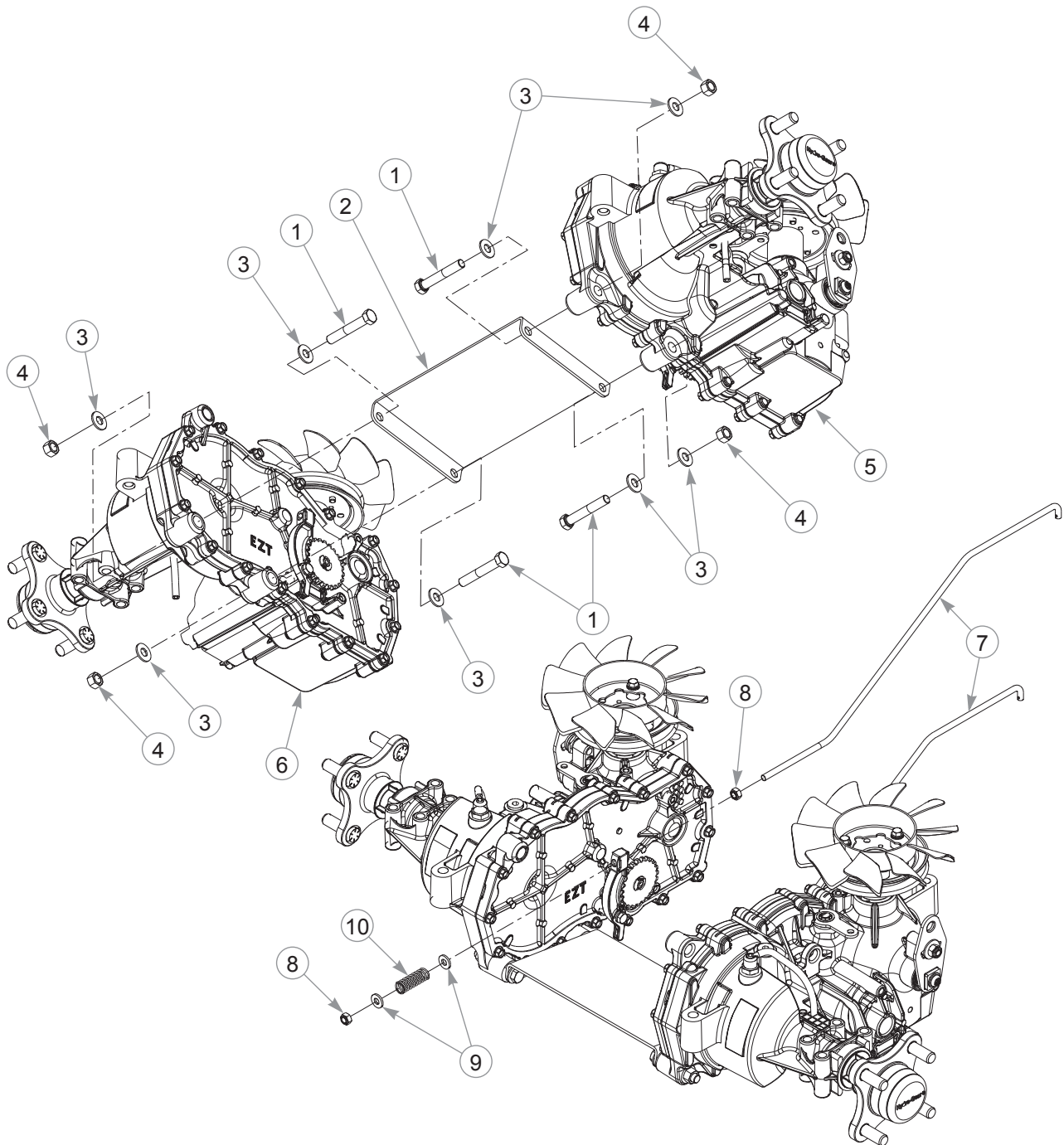
Pump Belt, Side Discharge

INDEX NO.	PART NO.	QTY.	DESCRIPTION
8	017616	1	CS .500-13 X 1.75 HX G5
9	601983	1	CS .625-11 X 2.25 HX G5 ZY
10	028118	3	FW .625 X 1.00 X .134 ZNYC
11	036384	1	SPRING 1/4 COIL PL 1.23
12	111079	1	PUMP IDLER
13	602026	2	BEARING DISC
14	602025	1	BUSHING
15	781567	1	NT .500-13 HX G8 ZY NL
16	601398	1	IDLER SPACER
17	784827	1	IDLER PULLEY 4.00" OD
18	016972	1	NT .625-11 HX G5 ZNYC
19	769133	1	BELT

NOTES:

2. Torque to 100 ft-lbs.

Transmission Assembly, Side Discharge

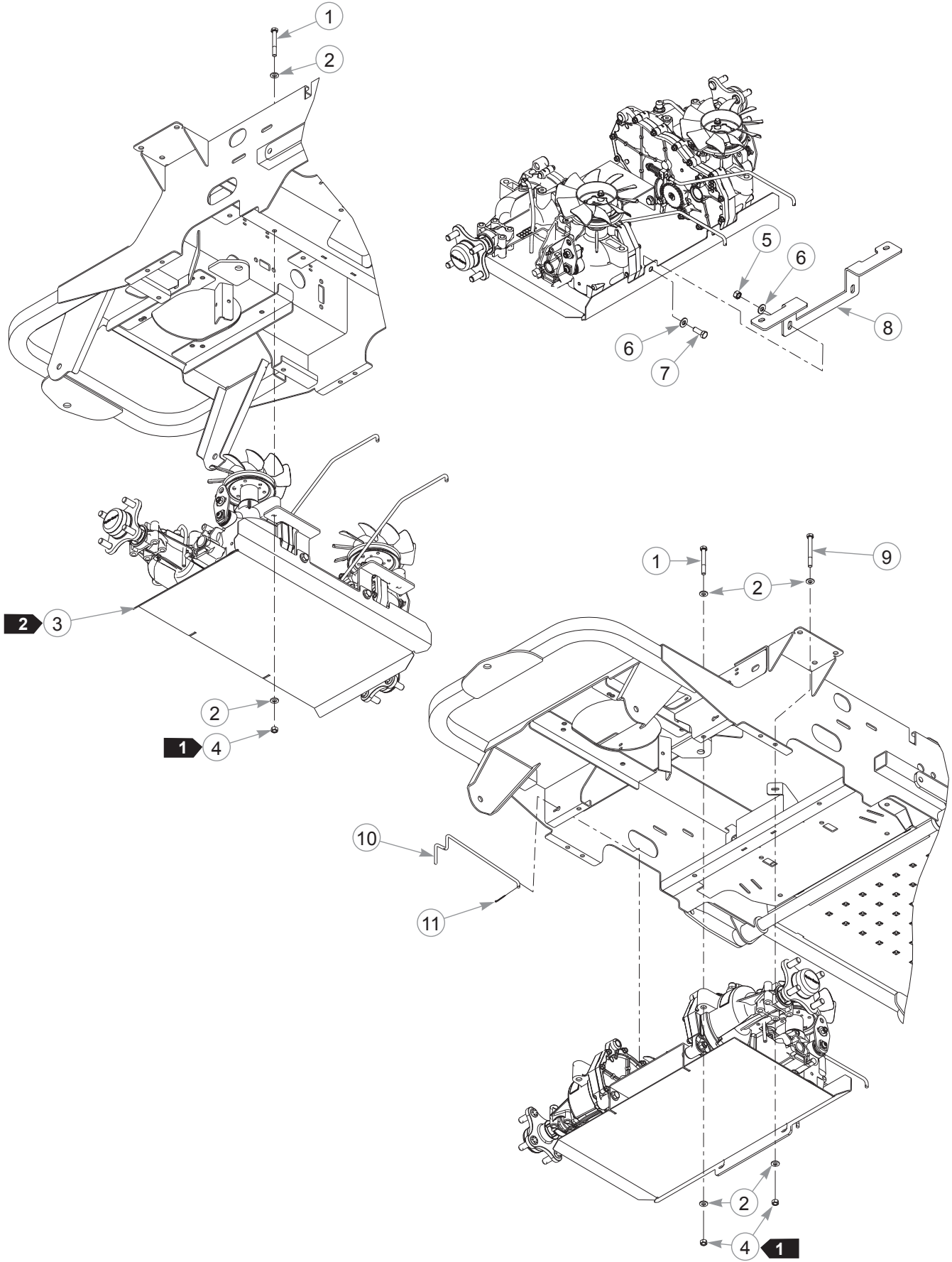


Transmission Assembly, Side Discharge

INDEX NO.	PART NO.	QTY.	DESCRIPTION
1	056036	4	CS .375-16 X 2.25 HX G5
2	110042	1	HYDROSTAT CROSS BRACE
3	767954	8	FW .379 X .813 X .063
4	054502	4	NT .375-16 HX G5 ZNY
5	603091	1	RS TRANSMISSION
6	603090	1	LS TRANSMISSION
7	110009	2	BRAKE ACTUATOR ROD
8	068551	4	NT .250-20 HX ZY NL
9	768515	4	FW .281 X .625 X .066
10	601131	2	SPRING

NOTES:

Hydraulic System, Rear Discharge



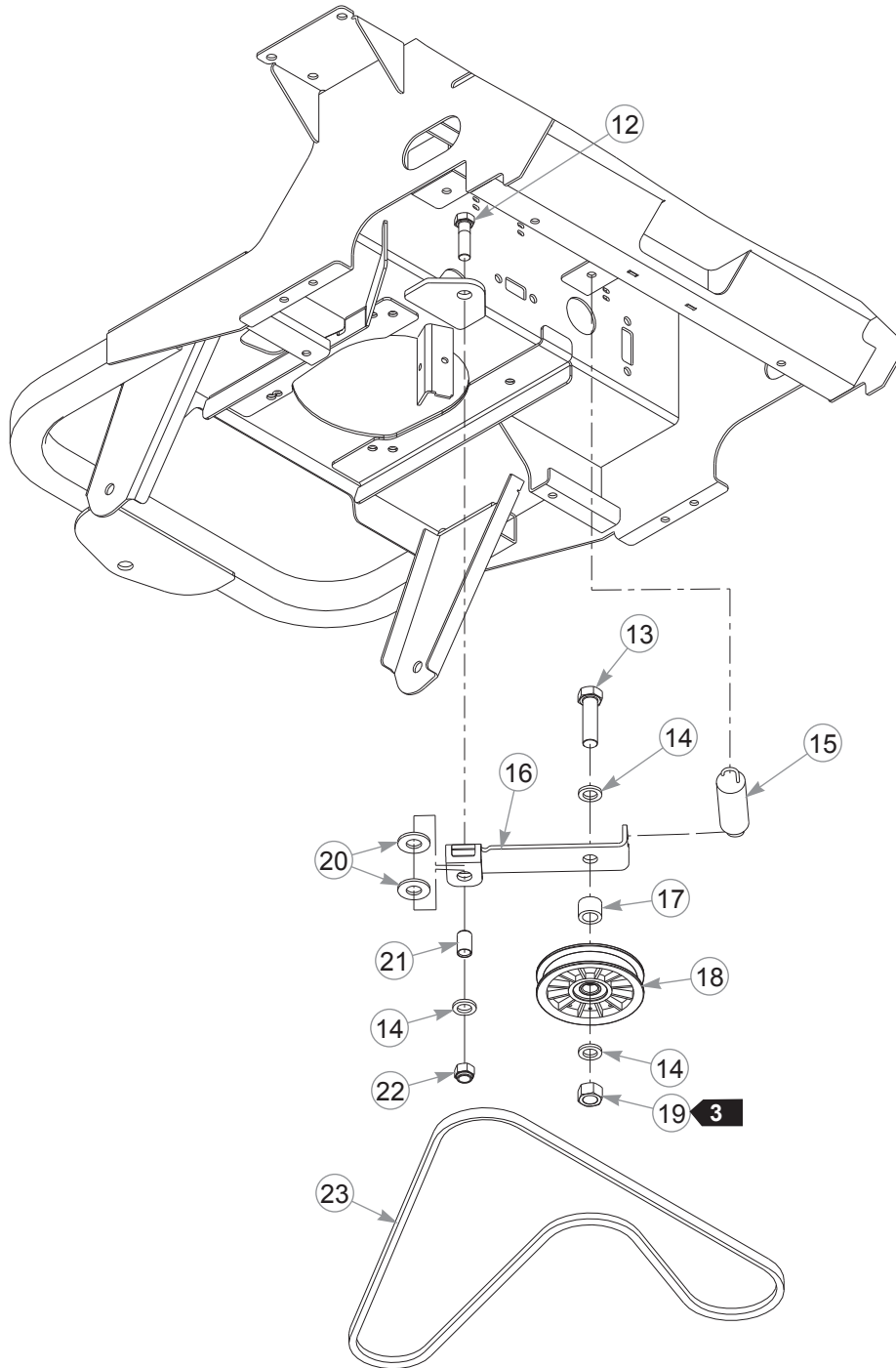
Hydraulic System, Rear Discharge

INDEX NO.	PART NO.	QTY.	DESCRIPTION
1	710087	4	CS .312-18 X 2.50 HX G5
2	768523	16	FW .343 X .687 X .051/.080H
3	N/A	1	TRANSMISSION ASSEMBLY
4	034272	8	NT .312-18 HX G5
5	054502	2	NT .375-16 HX G5 ZNY
6	767954	4	FW .379 X .813 X .063
7	036244	2	CS .375-16 X 1.00 HX G5
8	117440	1	SHIELD BRACKET
9	043067	4	CS .312-18 X 3.00 HX G5 Z
10	793174	2	TOWLINK ROD
11	048553	2	CP .062D X 1.00 LG HML Z

NOTES:

1. Torque to 17 ft-lbs.
2. See the Transmission Assembly.

Pump Belt, Rear Discharge



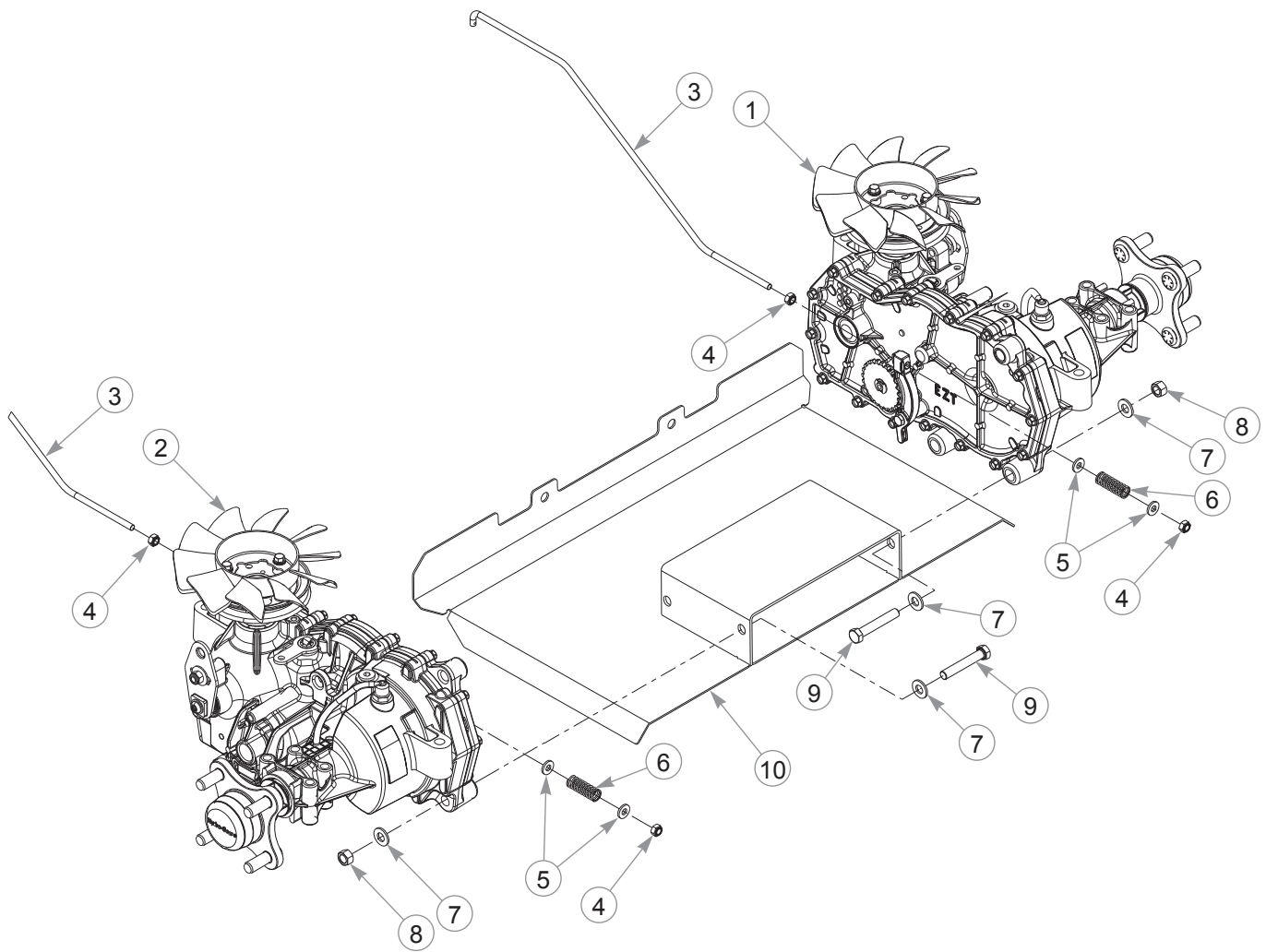
Pump Belt, Rear Discharge

INDEX NO.	PART NO.	QTY.	DESCRIPTION
12	017616	1	CS .500-13 X 1.75 HX G5
13	601983	1	CS .625-11 X 2.25 HX G5 ZY
14	028118	3	FW .625 X 1.00 X .134 ZNYC
15	036384	1	SPRING 1/4 COIL PL 1.23
16	111079	1	PUMP IDLER
17	601398	1	IDLER SPACER
18	784827	1	IDLER PULLEY 4.00" OD
19	016972	1	NT .625-11 HX G5 ZNYC
20	602026	2	BEARING DISC
21	602025	1	BUSHING
22	781567	1	NT .500-13 HX G8 ZY NL
23	769133	1	BELT

NOTES:

3. Torque to 100 ft-lbs.

Transmission Assembly, Rear Discharge

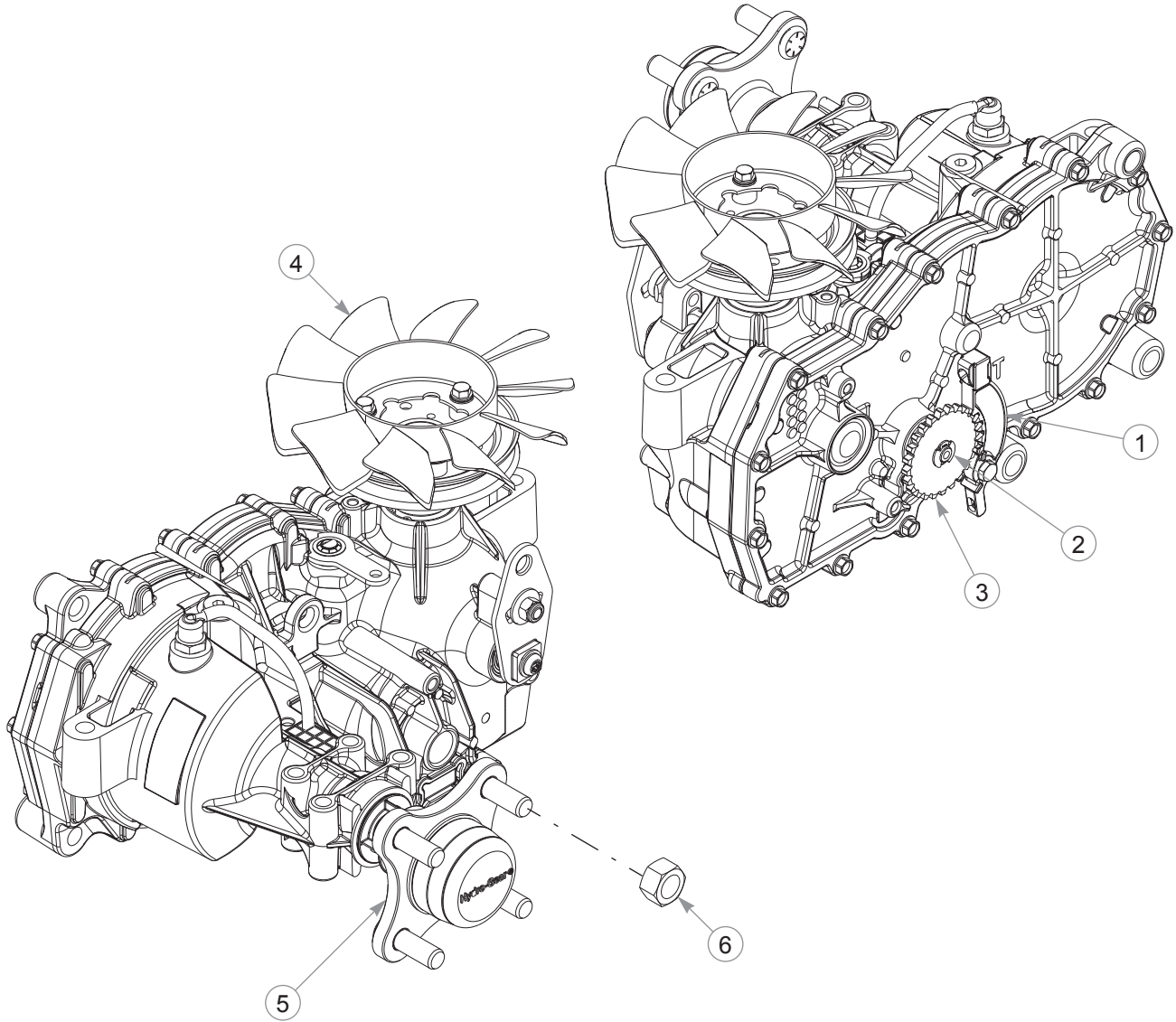


Transmission Assembly, Rear Discharge

INDEX NO.	PART NO.	QTY.	DESCRIPTION
1	603091	1	RS TRANSMISSION
2	603090	1	LS TRANSMISSION
3	110009	2	BRAKE ACTUATOR ROD
4	068551	4	NT .250-20 HX ZY NL
5	768515	4	FW .281 X .625 X .066
6	601131	2	SPRING
7	767954	8	FW .379 X .813 X .063
8	054502	4	NT .375-16 HX G5 ZNY
9	056036	4	CS .375-16 X 2.25 HX G5
10	116653	1	SHIELD

NOTES:

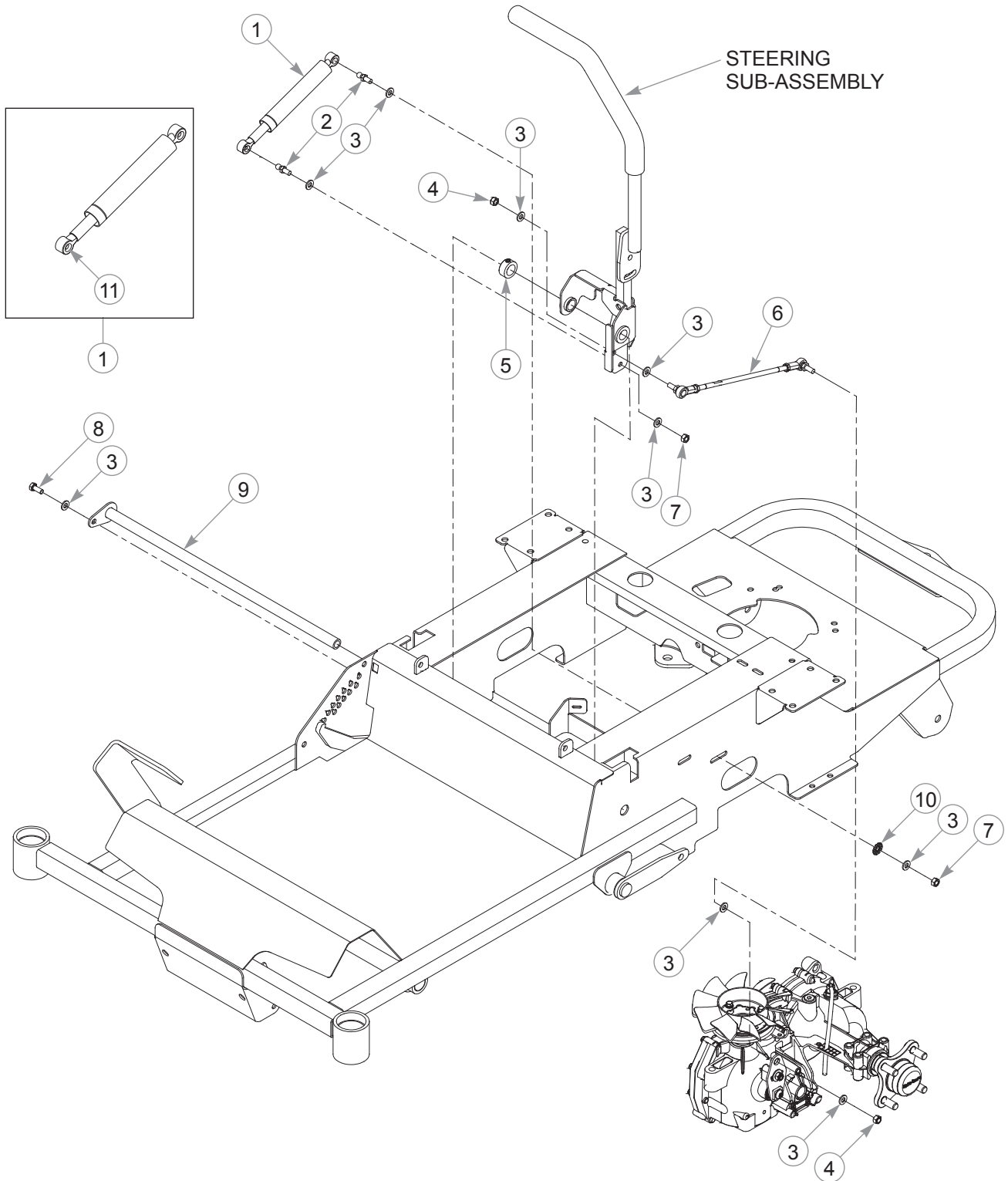
Transmission Service Parts



INDEX NO.	PART NO.	QTY.	DESCRIPTION
1	795047	1	PARKING PAWL KIT
2	798371	1	RETAINING RING
3	798363	1	PARK BRAKE GEAR
4	601941	1	FAN/PULLEY KIT
5	601433	1	4 BOLT HUB KIT (INCLUDES NUT)
6	788877	1	HUB NUT

This page intentionally left blank.

Steering

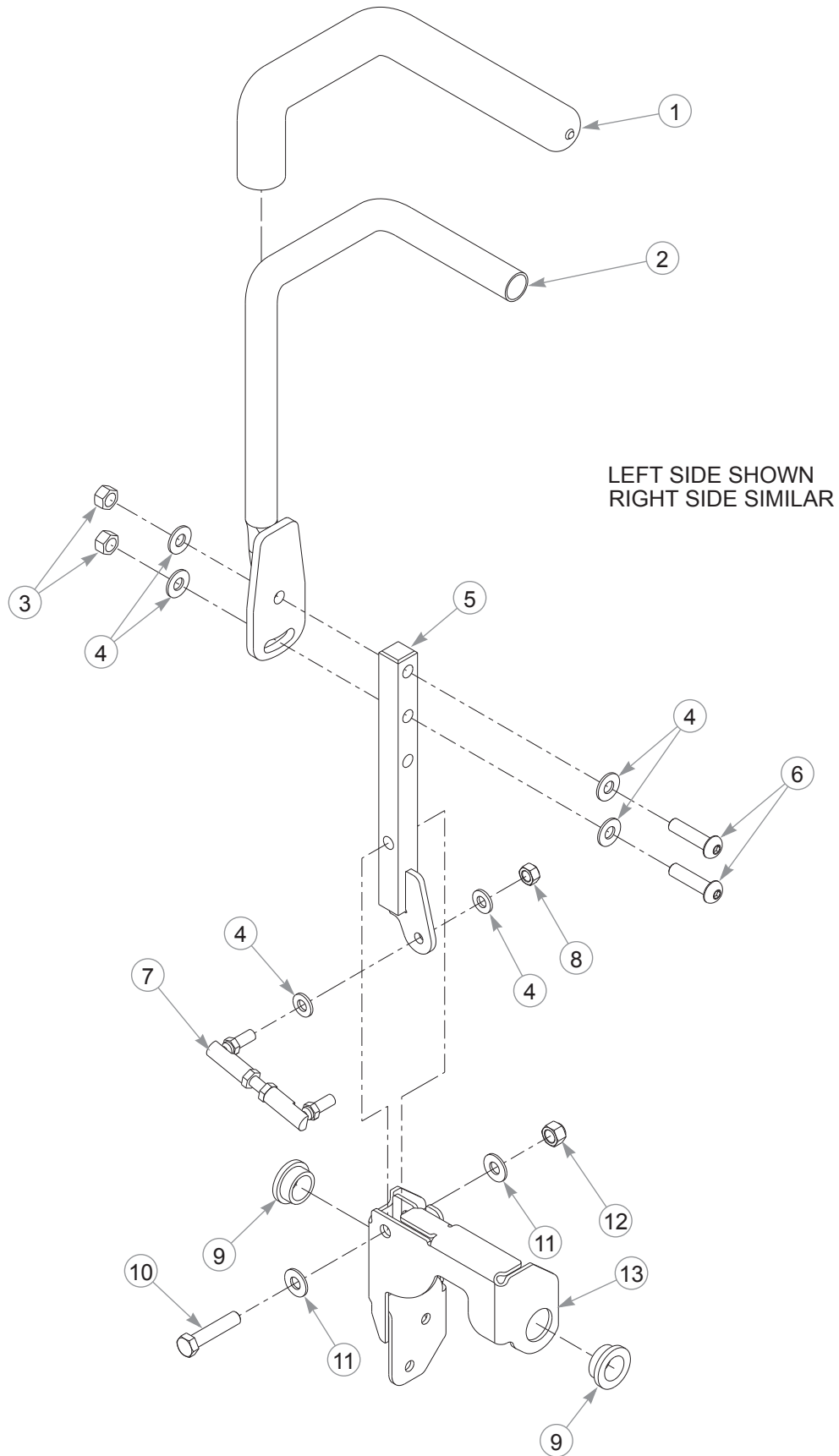


Steering

INDEX NO.	PART NO.	QTY.	DESCRIPTION
1	600221	2	STEERING DAMPER
2	781922	4	BALL STUD
3	768523	17	FW .343 X .687 X .051/.080H
4	023655	4	NT .312-24 HX ZY NL
5	784439	2	LOCK COLLAR 0.757 ID
6	600981	2	PUMP ROD
7	034272	4	NT .312-18 HX G5
8	034280	1	CS .312-18 X .75 HX G5
9	110014	1	PIVOT TUBE
10	029876	2	LW .325 INT-EXT TOOTH
11	601426	1	CAP LOCK

NOTES:

Steering Sub-Assembly

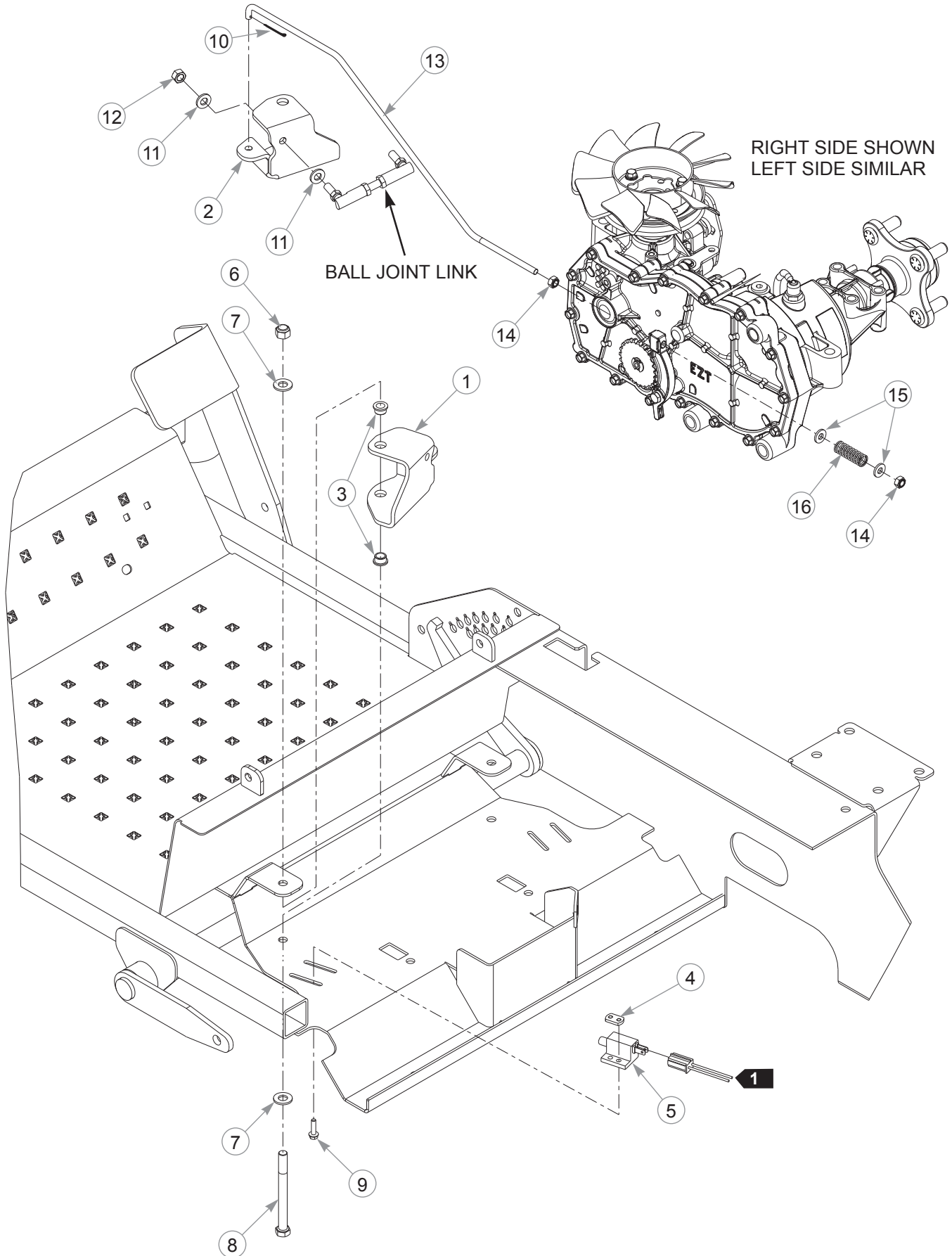


Steering Sub-Assembly

INDEX NO.	PART NO.	QTY.	DESCRIPTION
1	781260	2	STEERING BAR GRIP
2	110370	2	STEERING BAR (WITH GRIP)
3	054502	4	NT .375-16 HX G5 ZNY
4	767954	12	FW .379 X .813 X .063
5	110089	2	CONTROL LEVER
6	604816	4	CS .375-16 X 1.50 BH BO
7	796615	2	BALL JOINT LINK
8	023655	2	NT .312-24 HX NL ZN
9	770867	4	BUSHING
10	705178	2	CS .375-16 X 1.75 HX G5
11	768523	4	FW .343 X .687 X .051/.080H
12	086660	2	NT .375-16 HX NL G5
13	110008	1	LS STEERING BOX
	110007	1	RS STEERING BOX (NOT SHOWN)

NOTES:

Park Brake



Park Brake

INDEX NO.	PART NO.	QTY.	DESCRIPTION
1	110001	1	LS BRAKE ACTUATOR
2	110000	1	RS BRAKE ACTUATOR
3	765339	4	BUSHING
4	601822	2	NUT PLATE .420 CENTERS
5	781211	2	PUSH BUTTON SWITCH
6	086660	2	NT .375-16 HX ZY NL
7	767954	4	FW .379 X .813 X .063
8	725796	2	CS .375-16 X 4.00 HX G8 Z
9	063198	4	CS 10-24 X .75 HXFLK ZN
10	048553	2	CP .062D X 1.00 LG HML Z
11	768523	8	FW .343 X .687 X .051/.080H
12	023655	2	NT .312-24 HX ZY NL
13	110009	2	BRAKE ACTUATOR ROD
14	068551	4	NT .250-20 HXZY NL
15	768515	4	FW .281 X .625 X .066
16	601131	2	SPRING

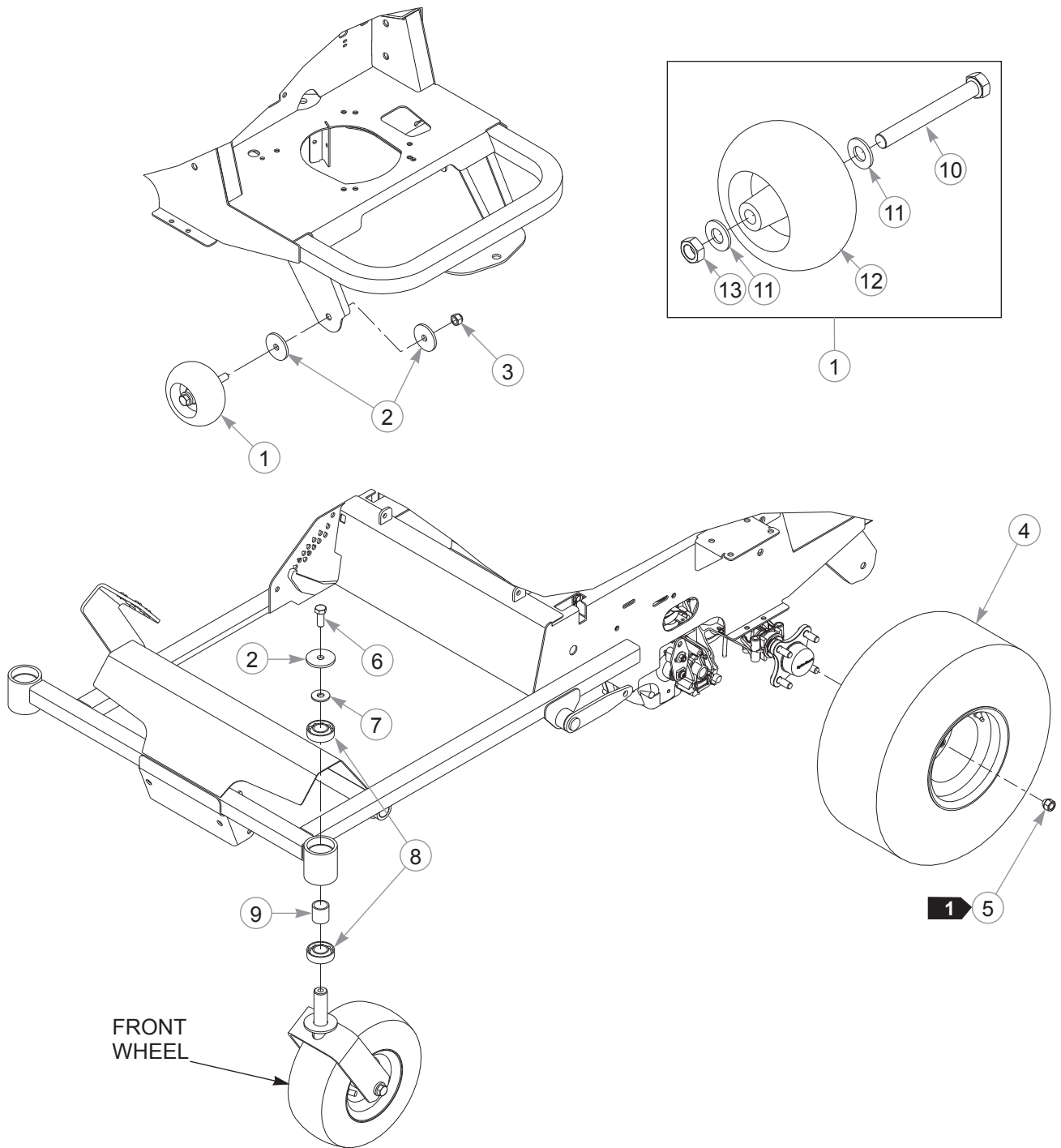
NOTES:

1. Part of the wire harness.

Section 4

Wheel & Tire	4-2
Front Wheel Breakdown	4-4
Drive Wheel Breakdown	4-6

Wheel & Tire



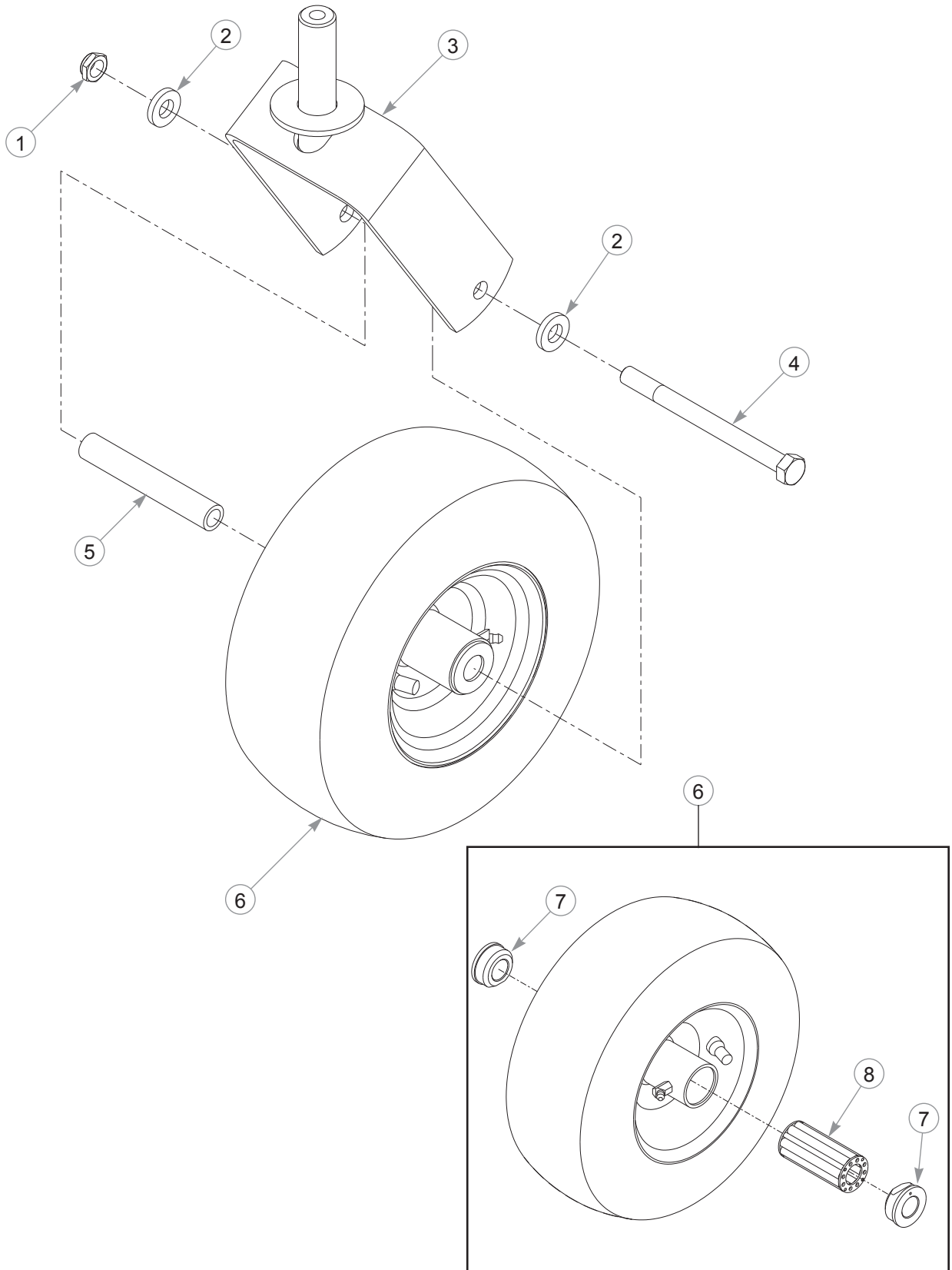
Wheel & Tire

INDEX NO.	PART NO.	QTY.	DESCRIPTION
1	788166	2	PLASTIC WHEEL ASSEMBLY (WITH HARDWARE)
2	344267	6	FW .510 X 2.15 X .187 SPL
3	781567	4	NT .500-13 HX G8 ZY NL
4	601810	2	TIRE/WHEEL 18 X 8.5-8 (42" & 48" SIDE DISCHARGE MOWERS)
	784264	2	TIRE/WHEEL 18 X 9.5-8 (54" SIDE DISCHARGE MOWERS)
	604502	2	TIRE/WHEEL 20 X 6.50 (36" REAR DISCHARGE MOWERS)
5	061077	8	WHEEL NUT
6	705954	2	CS .500-13 X 1.25 HX G5 ZN
7	712976	2	FW .531 X 1.375 X .125 ZNY
8	784223	4	BEARING
9	784603	2	SPACER
10	781708	2	CS .500-13 X 4.25 HX G5
11	767962	4	FW .531 X 1.063 X .175
12	031997	2	PLASTIC WHEEL
13	053199	2	NT .500-13 HX JAM ZNYC

NOTES:

1. Torque to 65–75 ft-lbs.

Front Wheel Breakdown

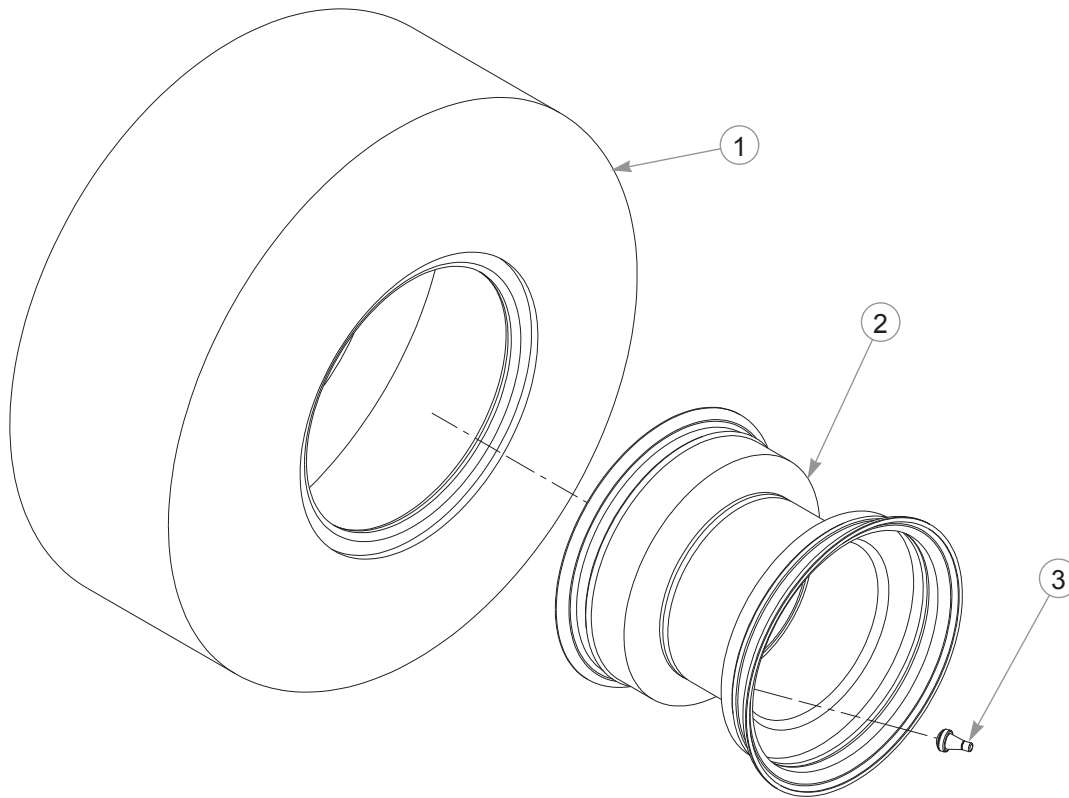


Front Wheel Breakdown

INDEX NO.	PART NO.	QTY.	DESCRIPTION
1	707398	1	NT .500-13 JAM NY LK
2	767962	2	FW .531 X 1.063 X .175
3	110116	1	CASTER FORK
4	604718	1	CS .500-13 X 6.00 HX G5
5	306969	1	GAUGE WHEEL SPACER
6	605113	1	TIRE/WHEEL ASSEMBLY 11 X 4-5 SMOOTH
	768044	1	TIRE/WHEEL ASSEMBLY 11 X 4-5 RIBBED
7	772806	2	BEARING CAP
8	772814	1	3/4" ROLLER BEARING

NOTES:

Drive Wheel Breakdown



601810 TIRE/WHEEL ASSEMBLY (42"/48" SD MOWER)

INDEX NO.	PART NO.	QTY	DESCRIPTION
1	601821	1	TIRE 18 X 8.5
2	601820	1	WHEEL 8 X 6.93
3	019521	1	VALVE STEM

784264 TIRE/WHEEL ASSEMBLY (54" MOWER)

INDEX NO.	PART NO.	QTY	DESCRIPTION
1	784272	1	TIRE 18 X 9.5-8
2	784280	1	WHEEL 8 X 6.32
3	019521	1	VALVE STEM

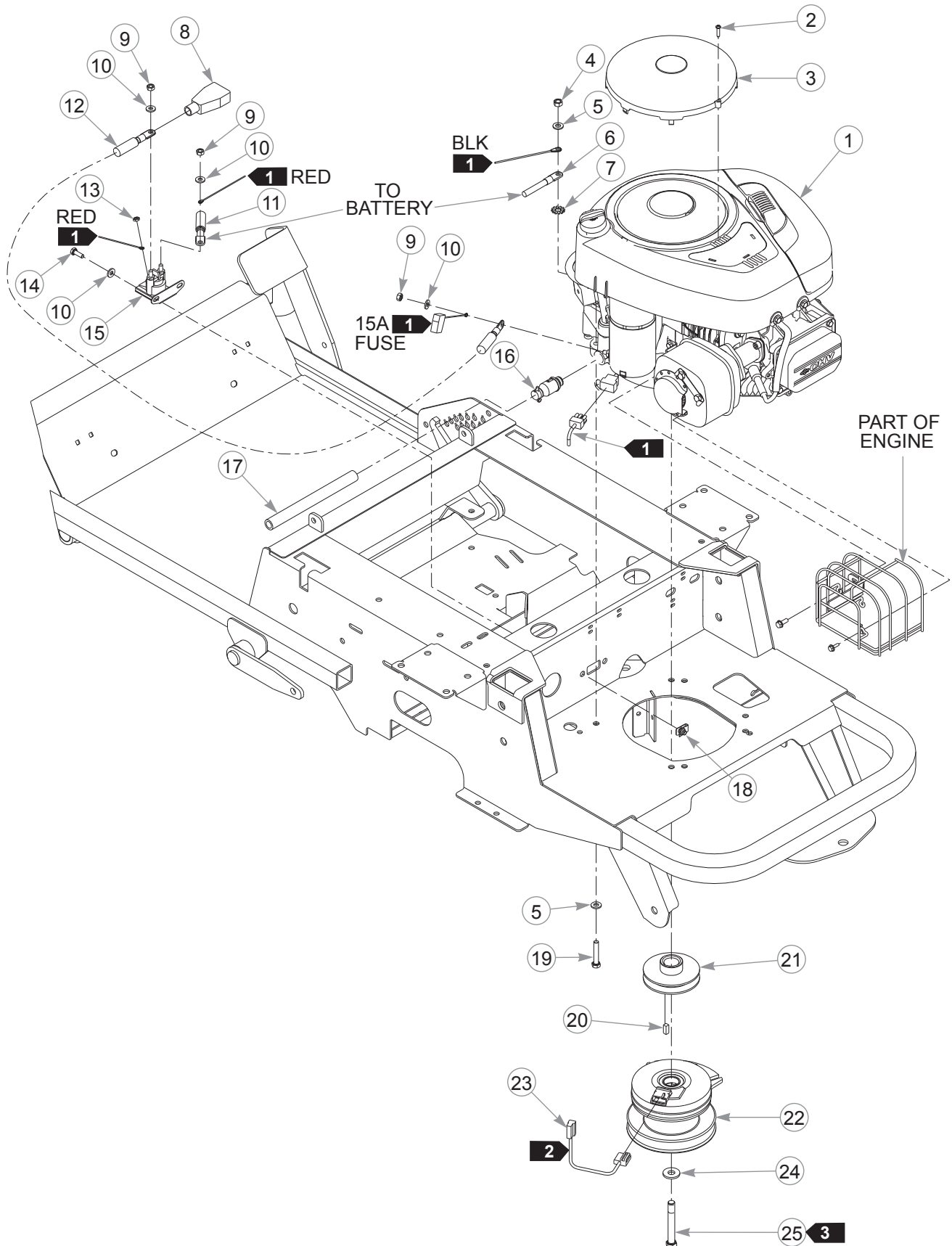
604502 TIRE/WHEEL ASSEMBLY (36" RD MOWER)

INDEX NO.	PART NO.	QTY	DESCRIPTION
1	604503	1	TIRE, 2-X 6.50-8
2	604504	1	WHEEL 8 X 6.32
3	019521	1	VALVE STEM

Section 5

Engine, Briggs & Stratton 17.5/21 HP—S/N 12030001 & Higher	5-2
Fuel System, Briggs & Stratton 17.5/21 HP—S/N 12030001 & Higher	5-4
Engine, Briggs & Stratton 17.5/21 HP—S/N Prior to 12030001.	5-6
Fuel System, Briggs & Stratton 17.5/21 HP—S/N Prior to 12030001	5-8
Engine, Briggs & Stratton 26 HP—S/N 12030001 & Higher	5-12
Fuel System, Briggs & Stratton 26 HP—S/N 12030001 & Higher	5-16
Engine, Briggs & Stratton 26 HP—S/N Prior to 12030001.	5-18
Fuel System, Briggs & Stratton 26 HP—S/N Prior to 12030001	5-22
Engine, Kaw FR541V & FR600V—S/N 12030001 & Higher	5-26
Fuel System, Kaw FR541V & FR600V—S/N 12030001 & Higher.	5-28
Engine, Kaw FR541V & FR600V—S/N Prior to 12030001	5-30
Fuel System, Kaw FR541V & FR600V—S/N Prior to 12030001	5-32
Engine, Kaw FR651V—S/N 12030001 & Higher	5-34
Fuel System, Kaw FR651V—S/N 12030001 & Higher.	5-36
Engine, Kaw FR651V—S/N Prior to 12030001	5-38
Fuel System, Kaw FR651V—S/N Prior to 12030001	5-40
Engine, Kaw FR691V	5-42
Fuel System, Kaw FR691V	5-44
Engine Service Parts, Kaw FR541V & FR600V	5-46
Engine Service Parts, Kaw FR651V.	5-47
Engine Service Parts, Kaw FS691V.	5-48
Fuel Tank, Fender—S/N Prior to 11010000 and S/N 12030001 & Higher.	5-50
Fuel Tank & Fender—S/N 11010000 to 12030001	5-52
Fuel Tank Service Parts—S/N 11010000 to 12030001	5-55

Engine, Briggs & Stratton 17.5/21 HP-S/N 12030001 & Higher



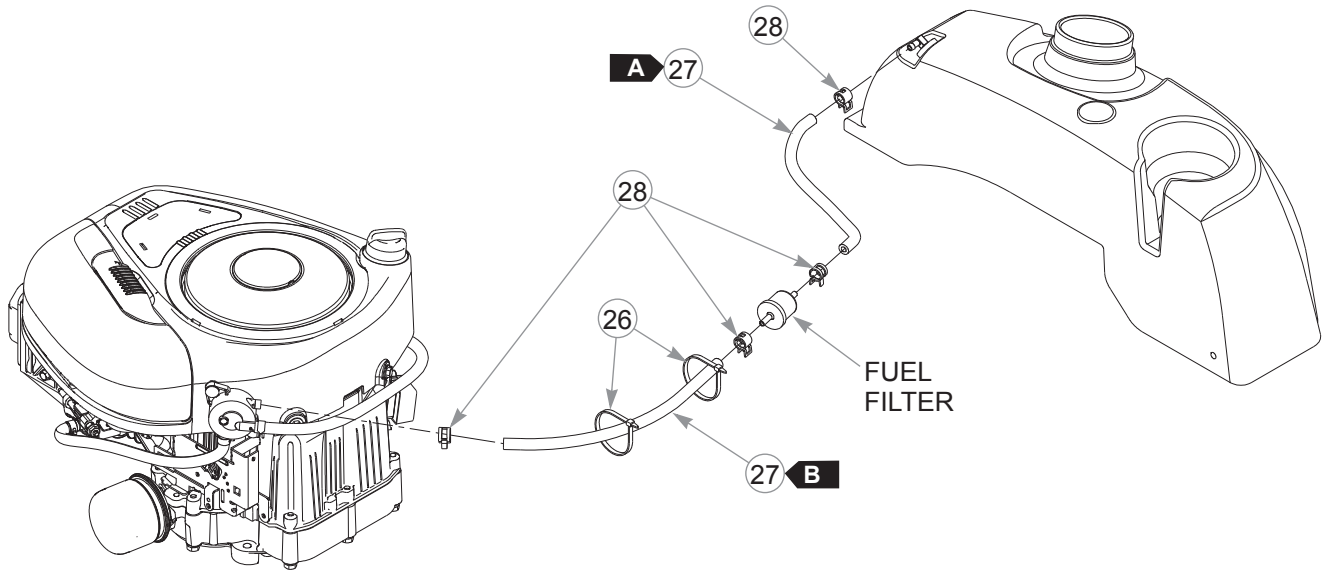
Engine, Briggs & Stratton 17.5/21 HP-S/N 12030001 & Higher

INDEX NO.	PART NO.	QTY.	DESCRIPTION
1	N/A	1	BRIGGS & STRATTON 17.5/21 HP ENGINE
2	602062	1	SC # 8 X 1.00 PHCR BO
3	601844	1	BRIGGS CONTACT COVER
4	034272	4	NT .312-18 HX G5 ZNYC
5	768523	8	FW .343 X .687 X .051/.080H
6	601841	1	NEGATIVE BATTERY CABLE
7	029876	1	LW .325 INT-EXT TOOTH
8	771428	1	RED BATTERY CABLE BOOT
9	024927	3	NT .250-20 HX G5 ZNYC
10	768515	5	FW .281 X .625 X .066
11	601062	1	POSITIVE BATTERY CABLE
12	601840	1	POSITIVE BATTERY CABLE
13	044255	1	NT #10-32 HX ZN
14	055939	2	CS .250-20 X .75 HX G5
15	030817	1	STARTER SOLENOID
16	601818	1	OIL DRAIN - 3/8-18 NPTF
17	604463	7"	OIL DRAIN HOSE
18	601982	2	CN .250-20 X .15 MAX THK
19	050161	4	CS .312-18 X 1.75 HX G5
20	712372	1	KEY 1/4 SQ X .66 LG
21	793760	1	ENGINE PULLEY
22	601801K	1	CLUTCH KIT (WITH PIGTAIL)
23	791251	1	CLUTCH HARNESS PIGTAIL
24	602680	1	FW .453 X 1.12 X .119 HRD
25	601834	1	CS .437-20 X 3.25 HX G5 P85

NOTES:

1. Part of the wire harness.
2. The pigtail is supplied with the clutch.
3. Torque the bolt to 45–48 ft-lbs. Replace (do not reuse) the cap screw if it's removed or loosened. Use only hand tools to install this fastener.

Fuel System, Briggs & Stratton 17.5/21 HP-S/N 12030001 & Higher



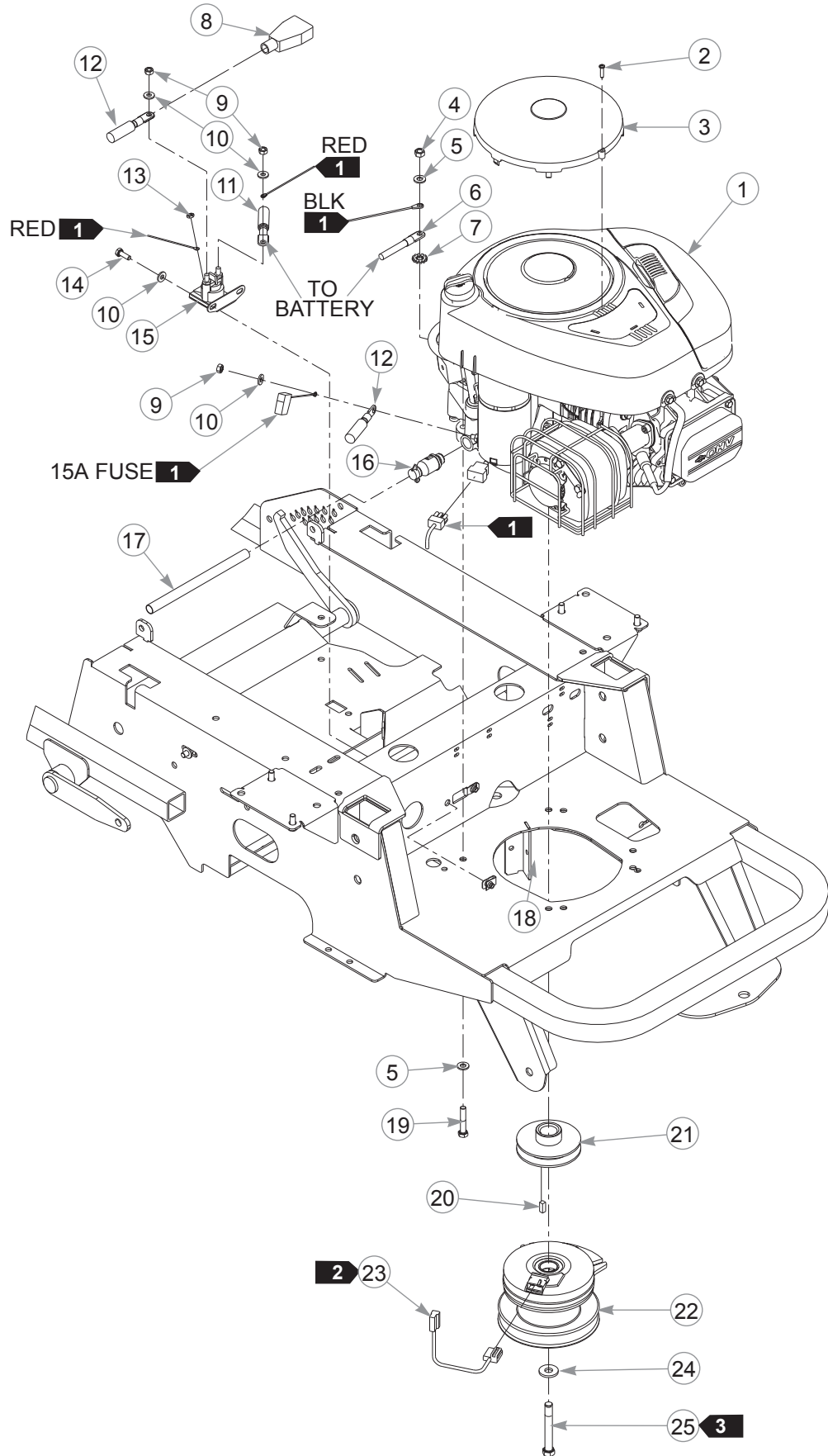
INDEX NO.	PART NO.	QTY.	DESCRIPTION
26	000331	3	WIRE TIE
27	015818	21"	1/4" FUEL LINE
28	000323	4	HOSE CLAMP

NOTES:

FUEL & VAPOR LINE LENGTHS		
A	9"	TANK TO FUEL FILTER (FUEL)
B	12"	FUEL FILTER TO ENGINE (FUEL)

This page intentionally left blank.

Engine, Briggs & Stratton 17.5/21 HP-S/N Prior to 12030001



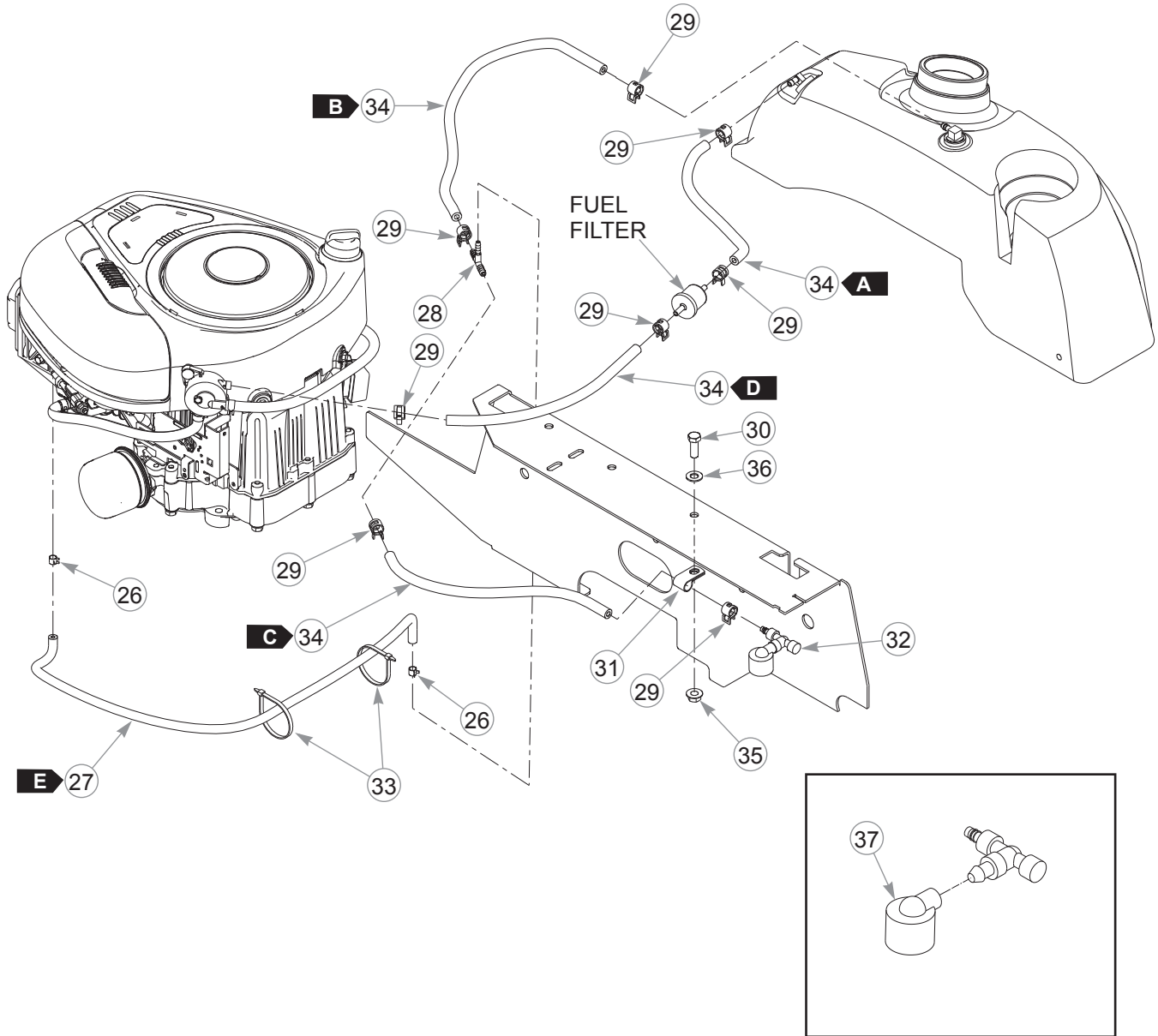
Engine, Briggs & Stratton 17.5/21 HP-S/N Prior to 12030001

INDEX NO.	PART NO.	QTY.	DESCRIPTION
1	N/A	1	BRIGGS & STRATTON 17.5/21 HP ENGINE
2	602062	1	SC # 8 X 1.00 PHCR BO
3	601844	1	BRIGGS CONTACT COVER
4	034272	4	NT .312-18 HX G5 ZNYC
5	768523	8	FW .343 X .687 X .051/.080H
6	601841	1	NEGATIVE BATTERY CABLE
7	029876	1	LW .325 INT-EXT TOOTH
8	771428	1	RED BATTERY CABLE BOOT
9	024927	3	NT .25-20 HX GR.5 ZNYC
10	768515	5	FW .281 X .625 X .066
11	601062	1	POSITIVE BATTERY CABLE
12	601840	1	POSITIVE BATTERY CABLE
13	044255	1	NT #10-32 HX ZN
14	055939	2	CS .25-20 X .75 HX G5
15	030817	1	STARTER SOLENOID
16	601818	1	OIL DRAIN - 3/8-18 NPTF
17	104786	1	OIL DRAIN HOSE
18	601982	2	CN .250-20 X .15 MAX THK
19	050161	4	CS .312-18 X 1.75 HX G5
20	712372	1	KEY 1/4 SQ X .66 LG
21	793760	1	ENGINE PULLEY
22	601801K	1	CLUTCH KIT (WITH PIGTAIL)
23	791251	1	CLUTCH HARNESS PIGTAIL
24	602680	1	FW .453 X 1.12 X .119 HRD
25	601834	1	CS .437-20 X 3.25 HXG5P85

NOTES:

1. Part of the wire harness.
2. The pigtail is supplied with the clutch.
3. Torque the bolt to 45–48 ft-lbs. Replace (do not reuse) the cap screw if it's removed or loosened. Use only hand tools to install this fastener.

Fuel System, Briggs & Stratton 17.5/21 HP-S/N Prior to 12030001



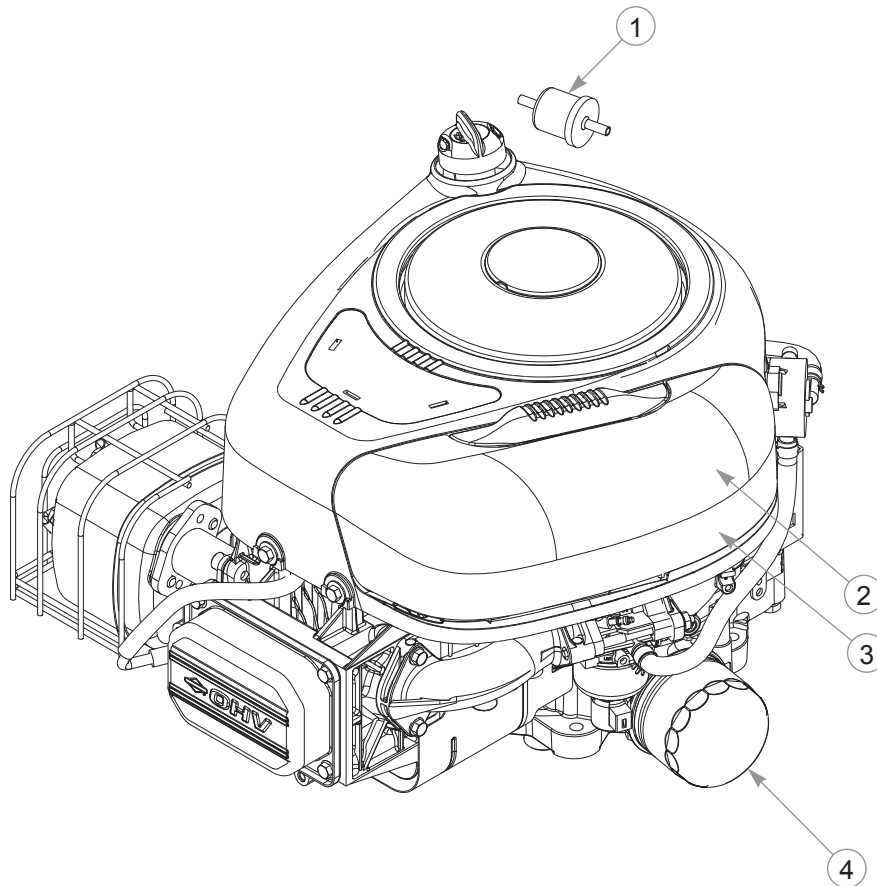
Fuel System, Briggs & Stratton 17.5/21 HP-S/N Prior to 12030001

INDEX NO.	PART NO.	QTY.	DESCRIPTION
26	603112	2	CLAMP, 3/16"
27	603326	32"	3/16" VAPOR LINE
28	603025	1	PLASTIC TEE 1/4" X 1/4" X 3/16"
29	000323	8	HOSE CLAMP
30	036244	1	CS .375-16 X 1.00 HX G5
31	000398	1	LOOP CLAMP
32	603283	1	VACUUM BREAKER
33	000331	5	WIRE TIE, SMALL/SHORT
34	015818	56"	1/4" FUEL LINE
35	016899	1	NT .375-16 HXFLK ZNYC
36	767954	1	FW .379 X .813 X .063
37	603161	1	VACUUM BREAKER FILTER

NOTES:

FUEL & VAPOR LINE LENGTHS		
A ➤	9"	TANK TO FUEL FILTER (FUEL)
B ➤	22"	TANK TO TEE (VAPOR)
C ➤	13"	TEE TO VACUUM BREAKER (VAPOR)
D ➤	12"	FUEL FILTER TO ENGINE (FUEL)
E ➤	32"	ENGINE TO TEE (VAPOR)

Engine Service Parts, Briggs & Stratton 17.5 HP/21 HP

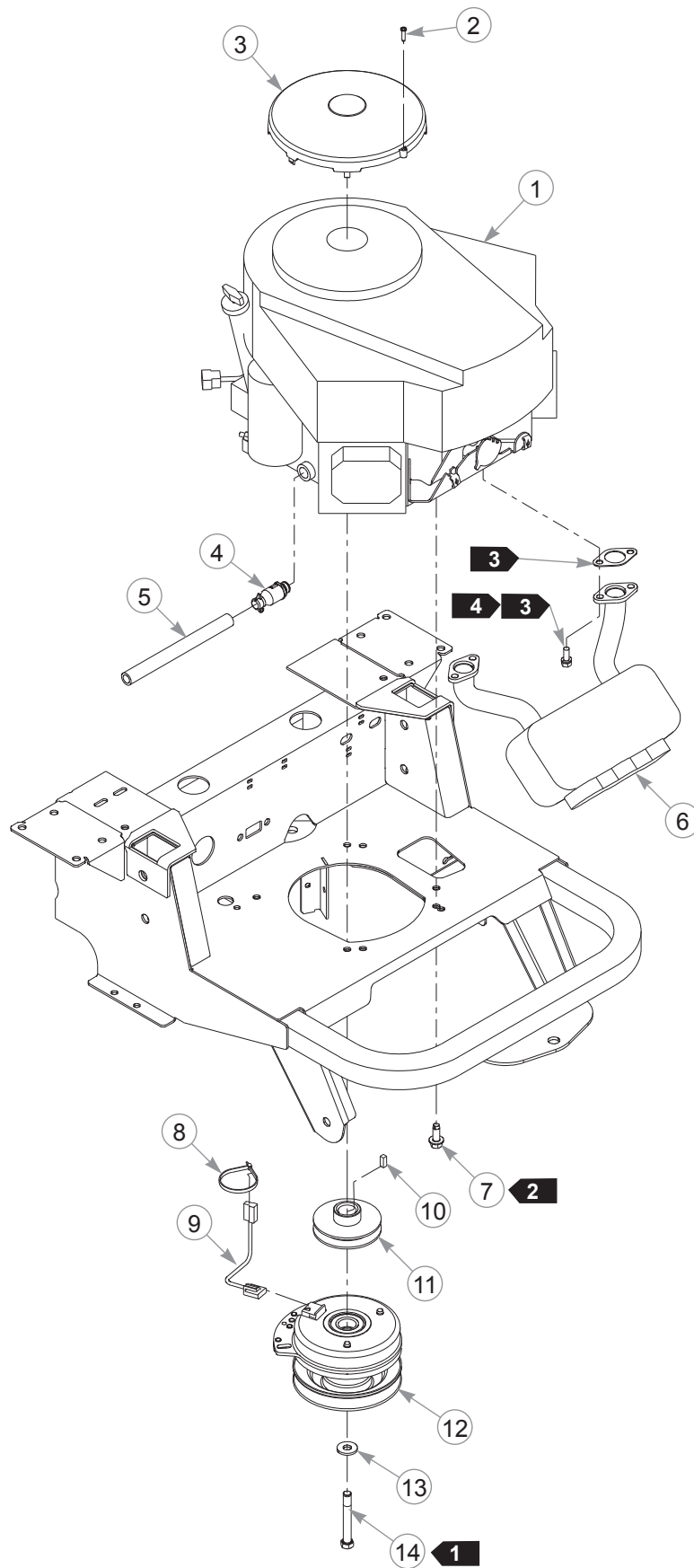


INDEX NO.	PART NO.	QTY.	DESCRIPTION
1	068478	1	IN-LINE FUEL FILTER
2	601846	1	AIR PRECLEANER FILTER, FLAT PANEL (17.5 HP)
	601848	1	AIR PRECLEANER FILTER (21 HP)
3	601847	1	AIR FILTER, FLAT PANEL (17.5 HP)
	601849	1	AIR FILTER, CARTRIDGE (21 HP)
4	601845	1	OIL FILTER

NOTES:

This page intentionally left blank.

Engine, Briggs & Stratton 26 HP-S/N 12030001 & Higher



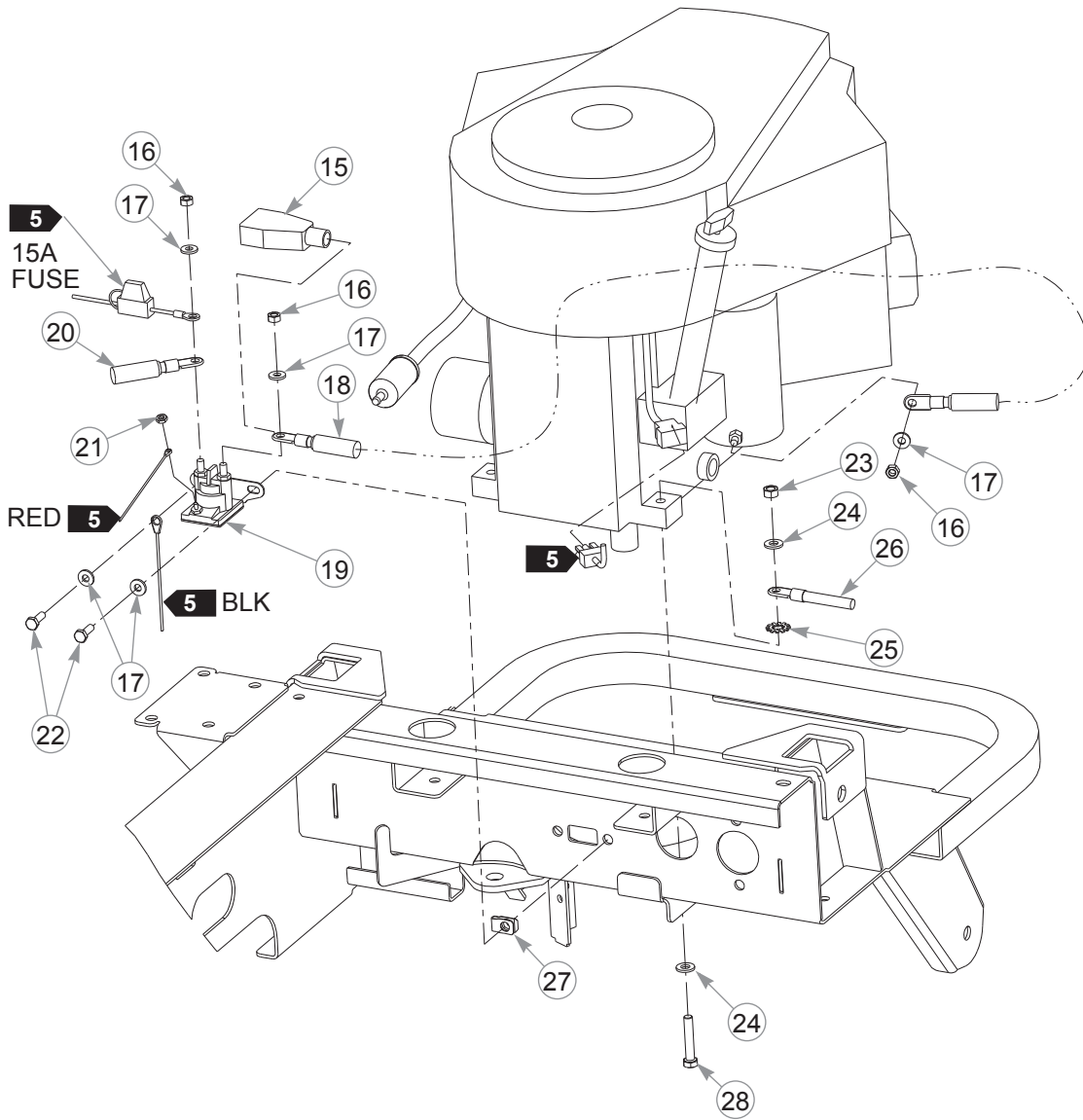
Engine, Briggs & Stratton 26 HP–S/N 12030001 & Higher

INDEX NO.	PART NO.	QTY.	DESCRIPTION
1	N/A	1	BRIGGS & STRATTON 26 HP ELS ENGINE
2	602062	1	SC # 8 X 1.00 PHCR BO
3	602422	1	STATIC COVER ASSEMBLY
4	601818	1	OIL DRAIN - 3/8-18 NPTF
5	604463	7"	OIL DRAIN HOSE
6	602389	1	MUFFLER
7	792788	3	SC.375-16 X 1.0 HX FL STP
8	000331	3	WIRE TIE
9	791251	1	CLUTCH HARNESS PIGTAIL
10	712372	1	KEY 1/4 SQ X .66 LG
11	793760	1	ENGINE PULLEY
12	601784K	1	CLUTCH KIT (WITH PIGTAIL)
13	602680	1	FW .453 X 1.12 X .119 HRD
14	601834	1	CS .437-20 X 3.250 HX G5 P85

NOTES:

1. Torque to 45–48 ft-lbs. Replace (do not reuse) the cap screw if it is removed or loosened. Use only hand tools to install this fastener.
2. Torque to 30 ft-lbs.
3. Supplied with the engine.
4. Torque to 17.5 ft-lbs.

Engine, Briggs & Stratton 26 HP-S/N 12030001 & Higher



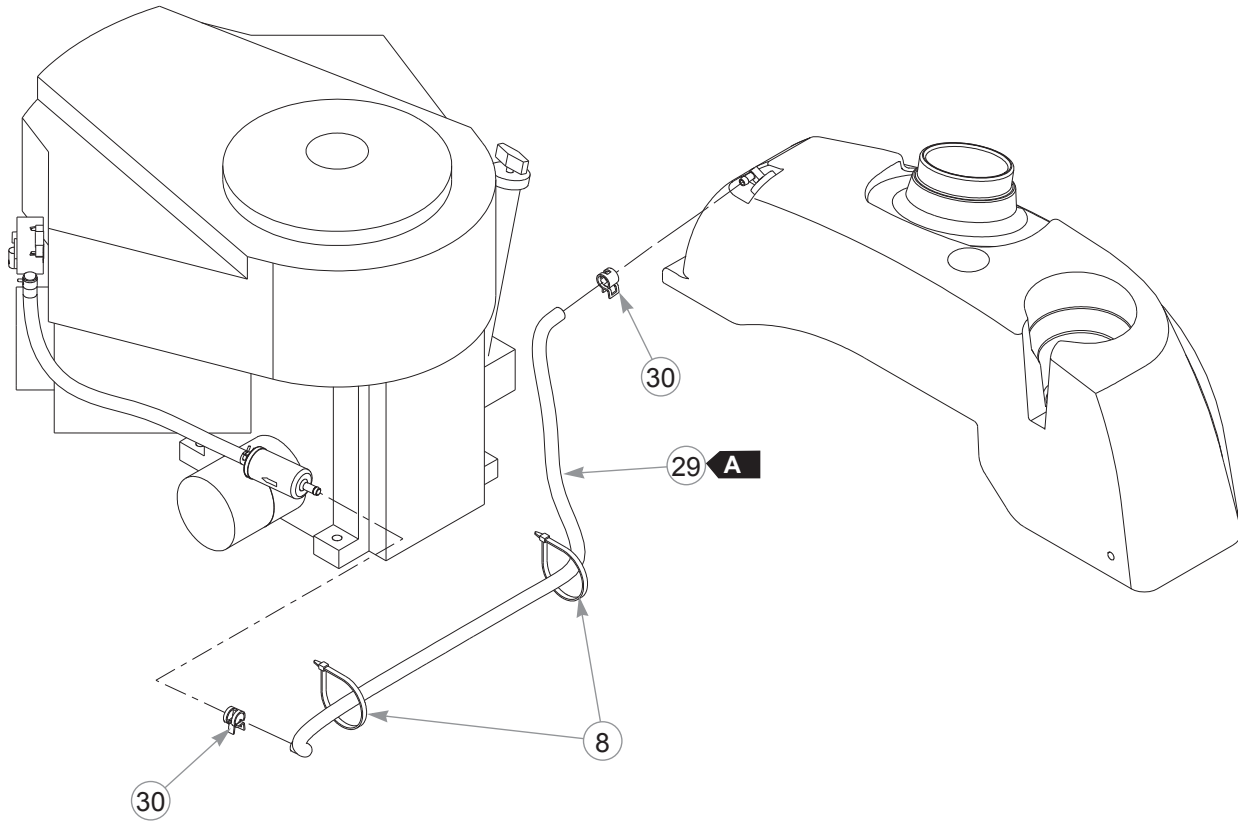
Engine, Briggs & Stratton 26 HP-S/N 12030001 & Higher

INDEX NO.	PART NO.	QTY.	DESCRIPTION
15	771428	1	RED BATTERY CABLE BOOT
16	024927	3	NT .250-20 HX G5 ZNYC
17	768515	5	FW .281 X .625 X .066
18	601840	1	POSITIVE BATTERY CABLE
19	030817	1	STARTER SOLENOID
20	601062	1	POSITIVE BATTERY CABLE
21	044255	1	NT #10-32 HX ZN
22	055939	2	CS .250-20 X .75 HX G5
23	034272	1	NT .312-18 HX G5 ZNYC
24	768523	2	FW .343 X .687 X .051/.080H
25	029876	1	LW .325 INT-EXT TOOTH
26	601841	1	NEGATIVE BATTERY CABLE
27	601982	2	CN .250-20 X .15 MAX THK
28	050161	1	CS .312-18 X 1.75 HX G5

NOTES:

5. Part of the wire harness.

Fuel System, Briggs & Stratton 26 HP-S/N 12030001 & Higher



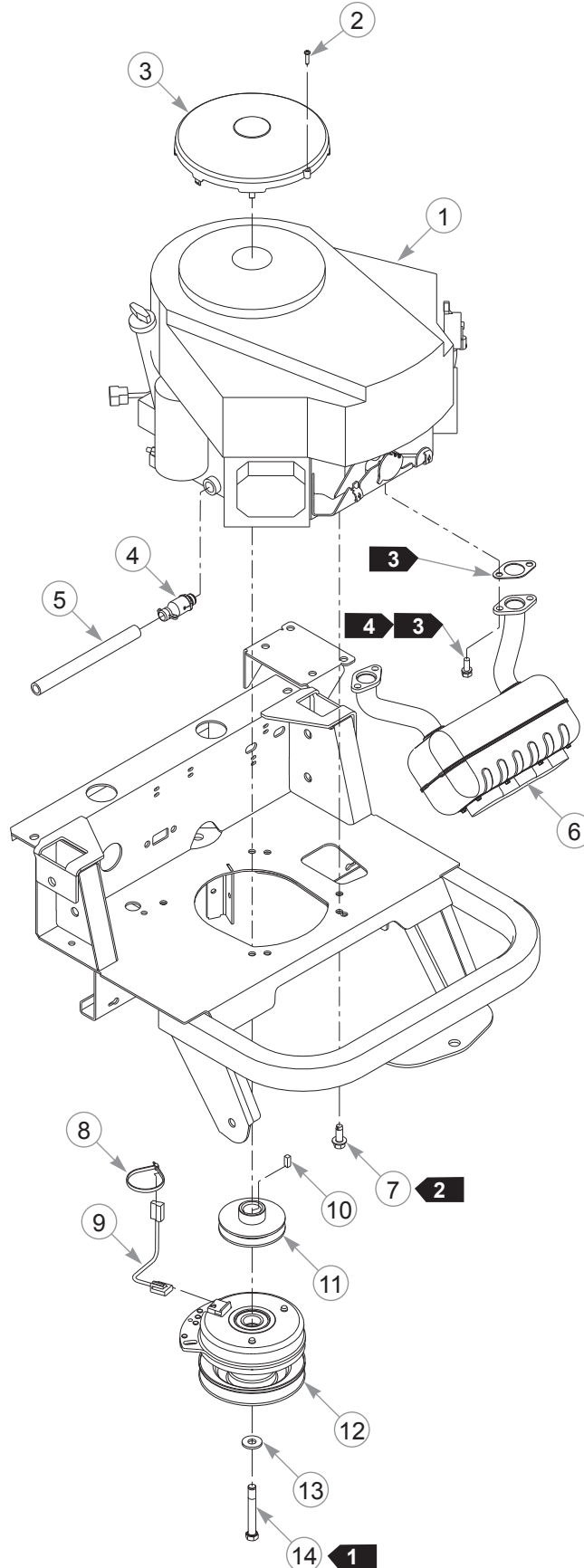
INDEX NO.	PART NO.	QTY.	DESCRIPTION
29	015818	28"	1/4" FUEL LINE
30	000323	2	HOSE CLAMP

NOTES:

FUEL LINE LENGTHS		
A	28"	TANK TO ENGINE (FUEL)

This page intentionally left blank.

Engine, Briggs & Stratton 26 HP-S/N Prior to 12030001



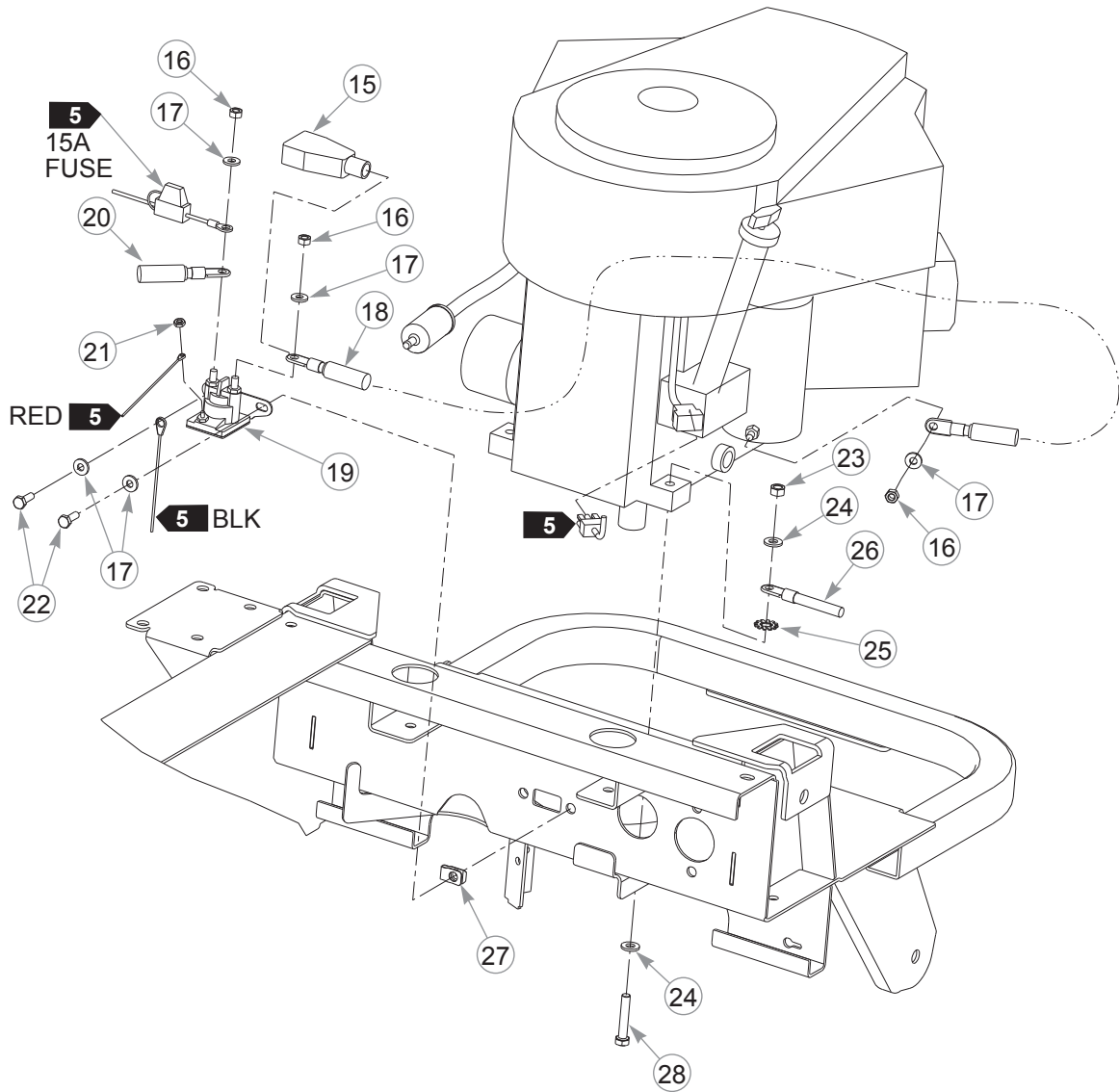
Engine, Briggs & Stratton 26 HP–S/N Prior to 12030001

INDEX NO.	PART NO.	QTY.	DESCRIPTION
1	N/A	1	BRIGGS & STRATTON 26 HP ELS ENGINE
2	602062	1	SC # 8 X 1.00 PHCR BO
3	602422	1	STATIC COVER ASSEMBLY
4	601818	1	OIL DRAIN - 3/8-18 NPTF
5	604463	1	OIL DRAIN HOSE
6	602389	1	MUFFLER
7	792788	3	SC .375-16 X 1.0 HX FL STP
8	000331	4	WIRE TIE
9	791251	1	CLUTCH HARNESS PIGTAIL
10	712372	1	KEY 1/4 SQ X .66 LG
11	793760	1	ENGINE PULLEY
12	601784K	1	CLUTCH KIT (WITH PIGTAIL)
13	602680	1	FW .453 X 1.12 X .119 HRD
14	601834	1	CS .437-20 X 3.25 HX G5 P85

NOTES:

1. Torque to 45–48 ft-lbs. Replace (do not reuse) the cap screw if it's removed or loosened. Use only hand tools to install this fastener.
2. Torque to 30 ft-lbs.
3. Supplied with the engine.
4. Torque to 17.5 ft-lbs.

Engine, Briggs & Stratton 26 HP-S/N Prior to 12030001



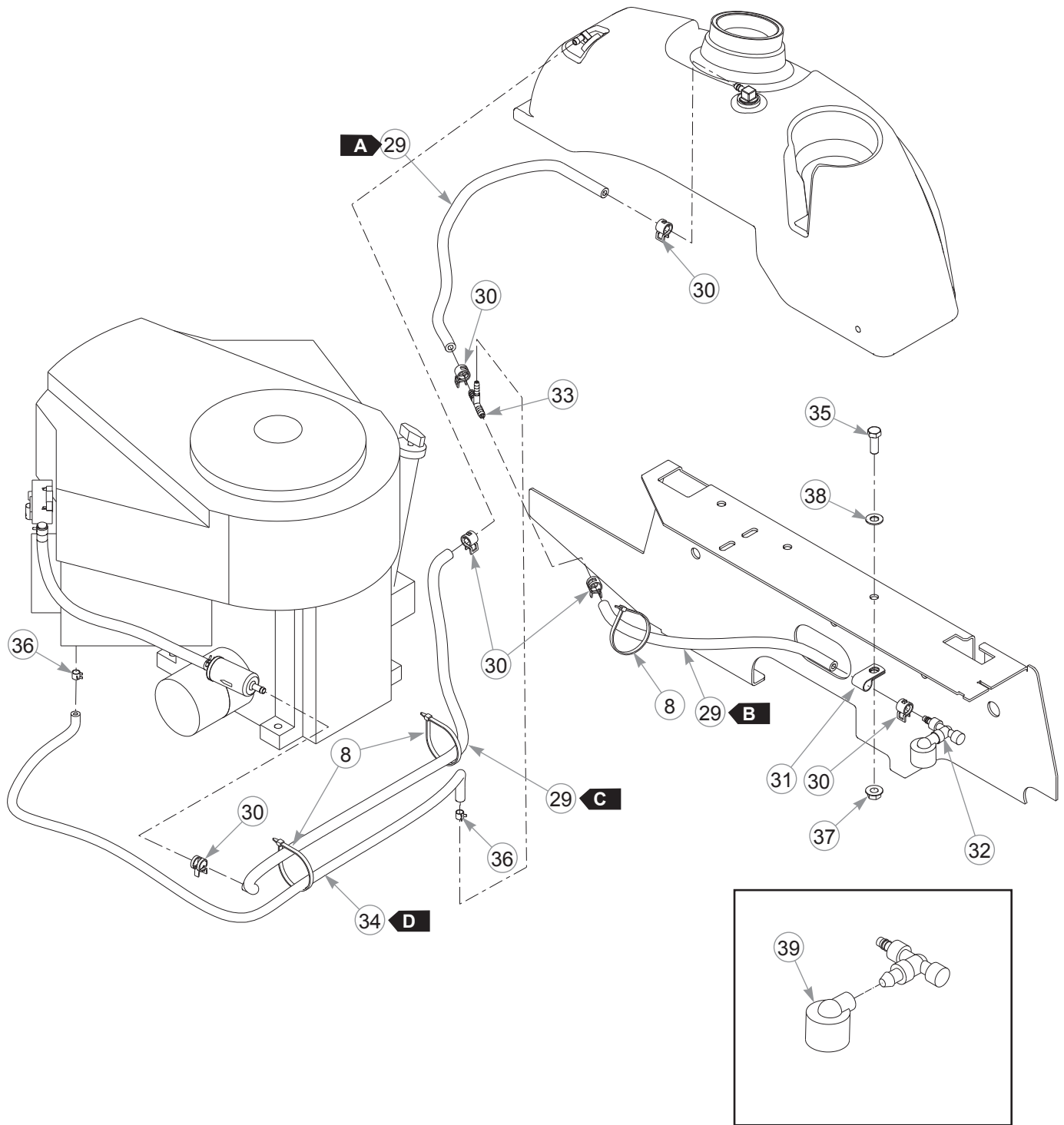
Engine, Briggs & Stratton 26 HP-S/N Prior to 12030001

INDEX NO.	PART NO.	QTY.	DESCRIPTION
15	771428	1	RED BATTERY CABLE BOOT
16	024927	3	NT .250-20 HX G5 ZNYC
17	768515	5	FW .281 X .625 X .066
18	601840	1	POSITIVE BATTERY CABLE
19	030817	1	STARTER SOLENOID
20	601062	1	POSITIVE BATTERY CABLE
21	044255	1	NT #10-32 HX ZN
22	055939	2	CS .250-20 X .75 HX G5
23	034272	1	NT .312-18 HX G5
24	768523	2	FW .343 X .687 X .051/.080H
25	029876	1	LW .325 INT-EXT TOOTH
26	601841	1	NEGATIVE BATTERY CABLE
27	601982	2	CN .250-20 X .15 MAX THK
28	050161	1	CS .312-18 X 1.75 HX G5

NOTES:

5. Part of the wire harness.

Fuel System, Briggs & Stratton 26 HP—S/N Prior to 12030001



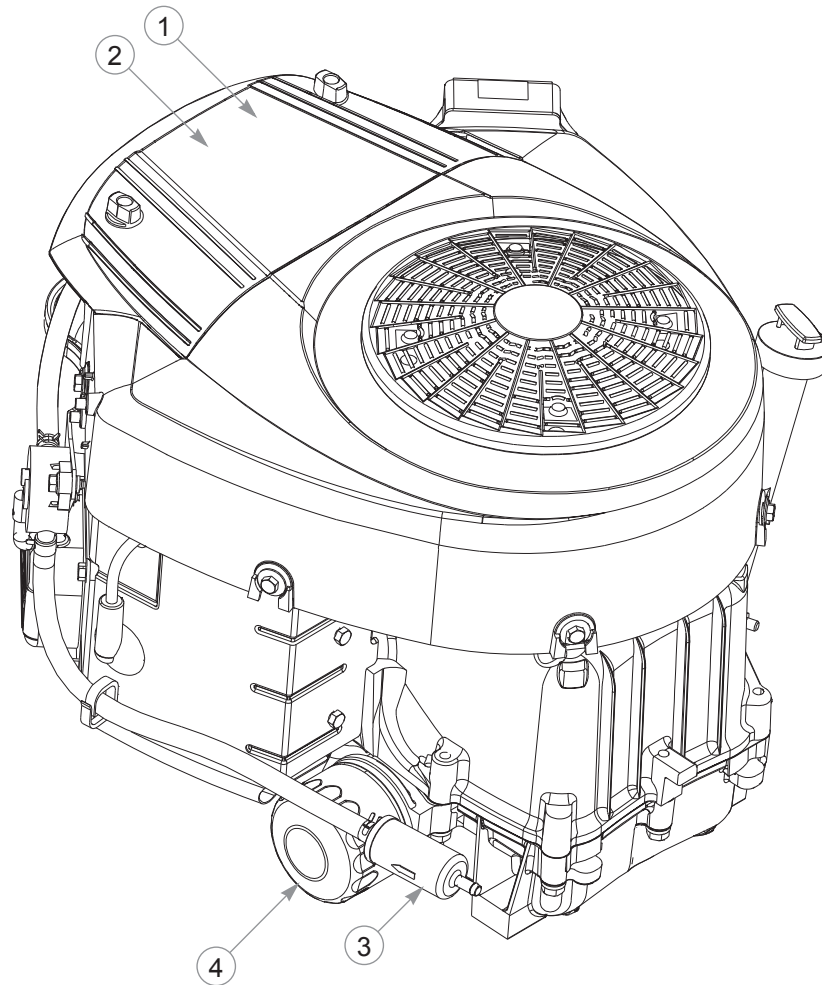
Fuel System, Briggs & Stratton 26 HP—S/N Prior to 12030001

INDEX NO.	PART NO.	QTY.	DESCRIPTION
29	015818	63"	1/4" FUEL LINE
30	000323	6	HOSE CLAMP
31	000398	1	LOOP CLAMP
32	603283	1	VACUUM BREAKER
33	603025	1	PLASTIC TEE 1/4" X 1/4" X 3/16"
34	603326	40"	3/16" VAPOR LINE
35	036244	1	CS .375-16 X 1.00 HX G5
36	603112	2	CLAMP, 3/16"
37	016899	1	NT .375-16 HX FLK G5
38	767954	1	FW .379 X .813 X .063
39	603161	1	VACUUM BREAKER FILTER

NOTES:

FUEL LINE LENGTHS		
A	22"	TANK TO TEE (VAPOR)
B	13"	TEE TO VACUUM BREAKER (VAPOR)
C	28"	TANK TO ENGINE (FUEL)
D	40"	TEE TO ENGINE (VAPOR)

Engine Service Parts, Briggs & Stratton 26 HP

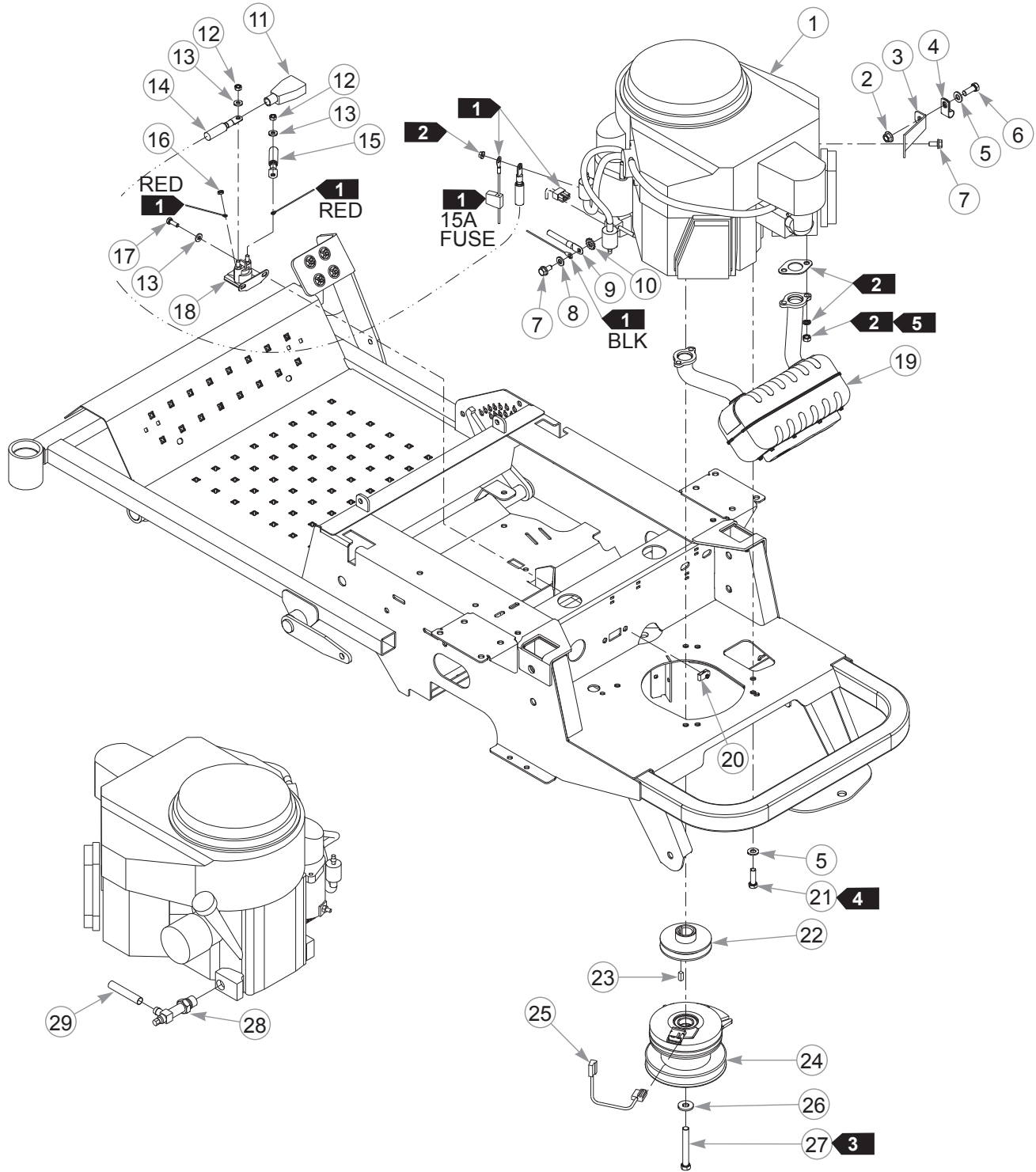


INDEX NO.	PART NO.	QTY.	DESCRIPTION
1	602571	1	AIR PRECLEANER FILTER
2	602570	1	AIR FILTER, CARTRIDGE
3	068478	1	IN-LINE FUEL FILTER
4	602572	1	OIL FILTER

NOTES:

This page intentionally left blank.

Engine, Kaw FR541V & FR600V-S/N 12030001 & Higher



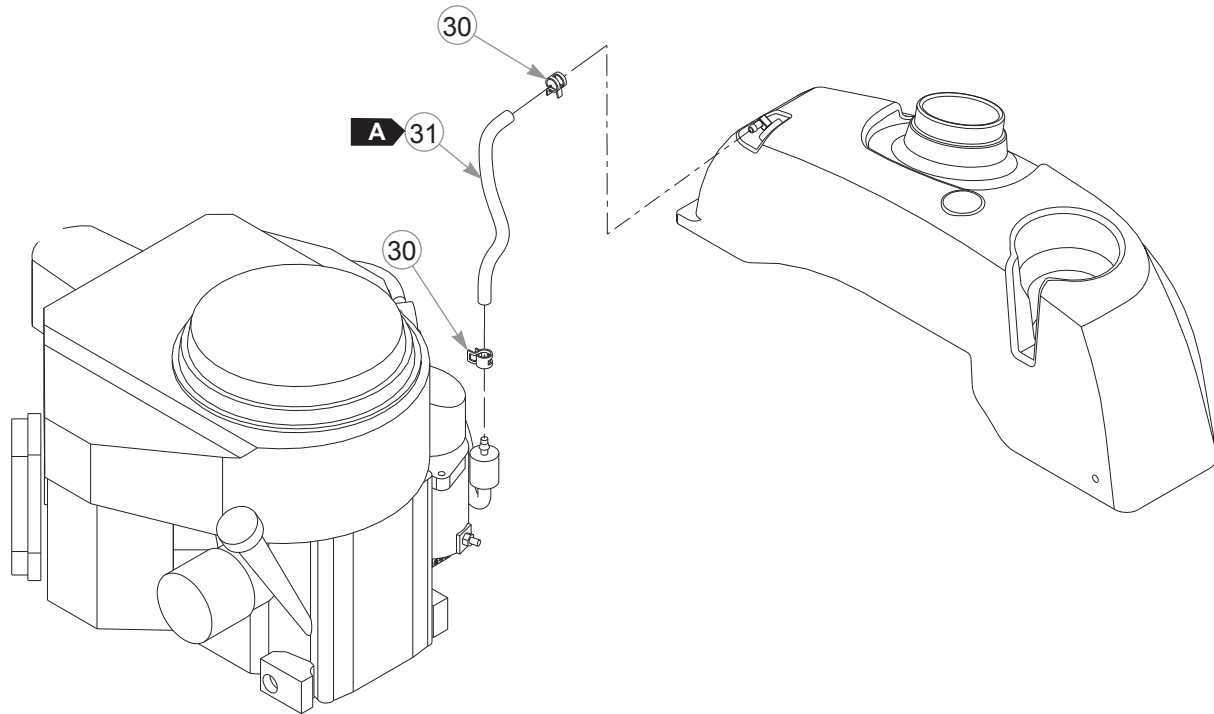
Engine, Kaw FR541V & FR600V–S/N 12030001 & Higher

INDEX NO.	PART NO.	QTY.	DESCRIPTION
1	N/A	1	KAWASAKI FR541V/FR600V ENGINE
2	016899	1	NT .375-16 HX FLK ZNYC
3	113970	1	CABLE GUIDE
4	000398	1	LOOP CLAMP
5	767954	5	FW .379 X .813 X .063
6	036244	1	CS .375-16 X 1.00 HX G5
7	720516	3	CS M8 X 1.25 X 16 HX G10.9
8	768523	1	FW .343 X .687 X .051/.080H
9	601841	1	NEGATIVE BATTERY CABLE
10	029876	1	LW .325 INT-EXT TOOTH
11	771428	1	RED BATTERY CABLE BOOT
12	024927	2	NT .250-20 HX G5 ZNYC
13	768515	4	FW .281 X .625 X .066
14	792762	1	POSITIVE BATTERY CABLE
15	601062	1	POSITIVE BATTERY CABLE
16	044255	1	NT #10-32 HX ZN
17	055939	2	CS .250-20 X .75 HX G5
18	030817	1	STARTER SOLENOID
19	602999	1	MUFFLER
20	601982	2	CN .250-20 X .15 MAX THK
21	602580	4	CS .375-16 X 1.25 HX G5 P85
22	793760	1	ENGINE PULLEY
23	712372	1	KEY 1/4 SQ X .66 LG
24	601801K	1	CLUTCH KIT (WITH PIGTAIL)
25	791251	1	CLUTCH HARNESS PIGTAIL
26	602680	1	FW .453 X 1.12 X .119 HRD
27	601834	1	CS .437-20 X 3.25 HX G5 P85
28	796524	1	OIL DRAIN VALVE
29	604463	3"	OIL DRAIN HOSE

NOTES:

1. Part of the wire harness.
2. Supplied with the engine.
3. Torque the bolt to 45–48 ft-lbs. Replace (do not reuse) the cap screw if it's removed or loosened. Use only hand tools to install this fastener.
4. Torque the bolt to 30–35 ft-lbs. Replace (do not reuse) the cap screw if it's removed or loosened. Use only hand tools to install this fastener.
5. Torque the nut to 22 ft-lbs.

Fuel System, Kaw FR541V & FR600V–S/N 12030001 & Higher



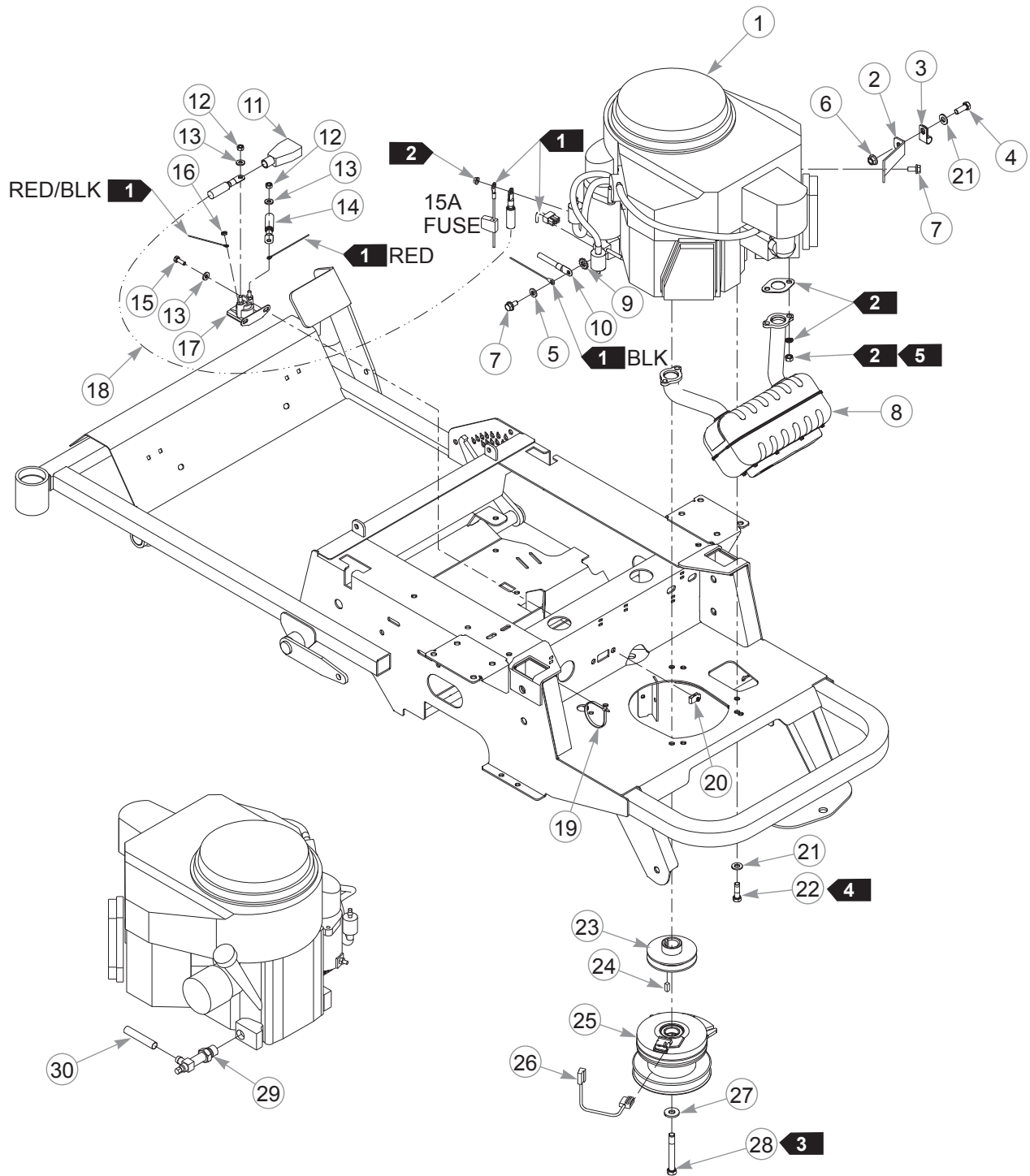
INDEX NO.	PART NO.	QTY.	DESCRIPTION
30	000323	2	HOSE CLAMP
31	015818	5"	1/4" FUEL LINE

NOTES:

FUEL LINE LENGTHS		
A	5"	TANK TO FUEL FILTER (FUEL)

This page intentionally left blank.

Engine, Kaw FR541V & FR600V—S/N Prior to 12030001



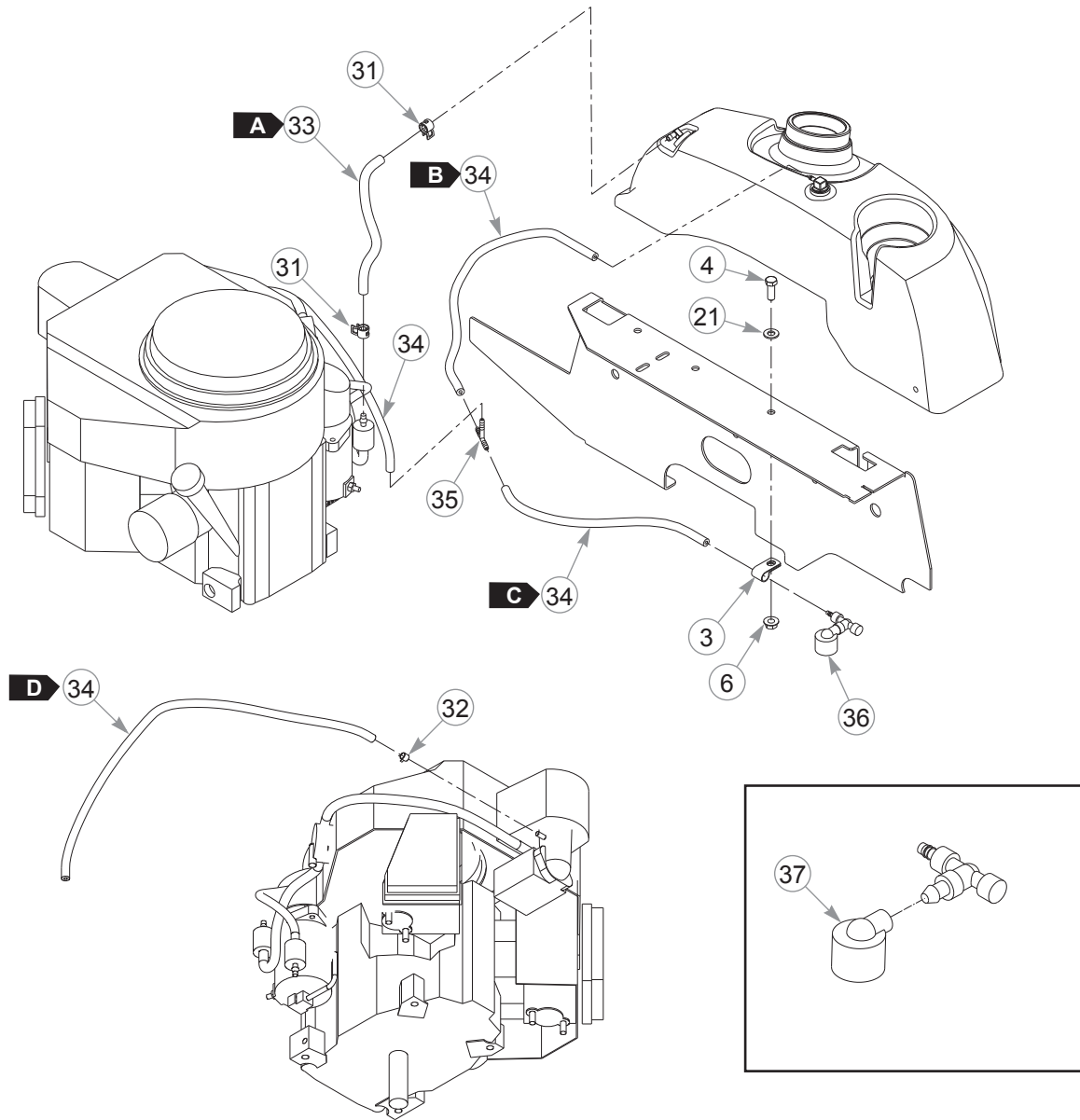
Engine, Kaw FR541V & FR600V—S/N Prior to 12030001

INDEX NO.	PART NO.	QTY.	DESCRIPTION
1	N/A	1	KAWASAKI FR541V & FR600V ENGINE
2	113970	1	CABLE GUIDE
3	000398	2	LOOP CLAMP
4	036244	2	CS .375-16 X 1.00 HX G5
5	768523	1	FW .343 X .687 X .051/.080H
6	016899	2	NT .375-16 HX FLK G5
7	720516	3	CS M8 X 1.25 X 16 HX G10.9
8	602999	1	MUFFLER
9	029876	1	LW .325 INT-EXT TOOTH
10	601841	1	NEGATIVE BATTERY CABLE
11	771428	1	RED BATTERY CABLE BOOT
12	024927	2	NT .250-20 HX G5 ZNYC
13	768515	4	FW .281 X .625 X .066
14	601062	1	POSITIVE BATTERY CABLE
15	055939	2	CS .250-20 X .75 HX G5
16	044255	1	NT #10-32 HX ZN
17	030817	1	STARTER SOLENOID
18	792762	1	POSITIVE BATTERY CABLE
19	000331	3	WIRE TIE
20	601982	2	CN .250-20 X .15 MAX THK
21	767954	6	FW .379 X .813 X .063
22	602580	4	CS .375-16 X 1.25 HX G5 P85
23	793760	1	ENGINE PULLEY
24	712372	1	KEY 1/4 SQ X .66 LG
25	601801K	1	CLUTCH KIT (WITH PIGTAIL)
26	791251	1	CLUTCH HARNESS PIGTAIL
27	602680	1	FW .453 X 1.12 X .119 HRD
28	601834	1	CS .437-20 X 3.25 HX G5 P85
29	796524	1	OIL DRAIN VALVE
30	604463	3"	OIL DRAIN HOSE

NOTES:

1. Part of the wire harness.
2. Supplied with the engine.
3. Torque to 45–48 ft-lbs. Replace (do not reuse) the cap screw if it's removed or loosened. Use only hand tools to install this fastener.
4. Torque to 30–35 ft-lbs. Replace (do not reuse) the cap screw if it's removed or loosened. Use only hand tools to install this fastener.
5. Torque to 22 ft-lbs.





Fuel System, Kaw FR541V & FR600V—S/N Prior to 12030001



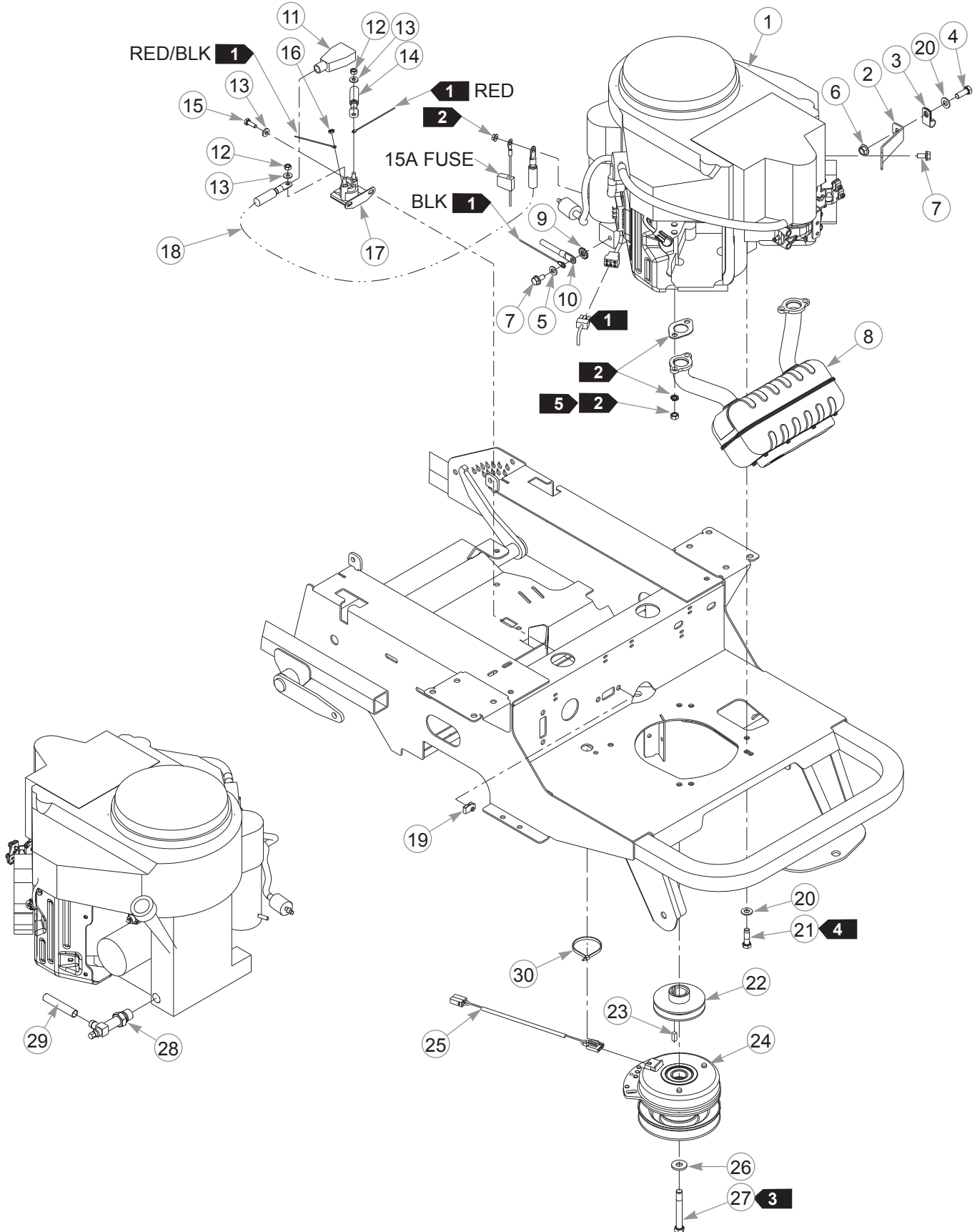
Fuel System, Kaw FR541V & FR600V—S/N Prior to 12030001

INDEX NO.	PART NO.	QTY.	DESCRIPTION
31	000323	2	HOSE CLAMP
32	603112	1	CLAMP, 3/16"
33	015818	5"	1/4" FUEL LINE
34	603326	59"	3/16" VAPOR LINE
35	604281	1	PLASTIC TEE, 3/16"
36	604527	1	VACUUM BREAKER
37	603161	1	VACUUM BREAKER FILTER

NOTES:

FUEL & VAPOR LINE LENGTHS		
A 	5"	TANK TO FUEL FILTER (FUEL)
B 	22"	TANK TO TEE (VAPOR)
C 	13"	TEE TO VACUUM BREAKER (VAPOR)
D 	24"	TEE TO ENGINE PURGE PORT (VAPOR)

Engine, Kaw FR651V—S/N 12030001 & Higher



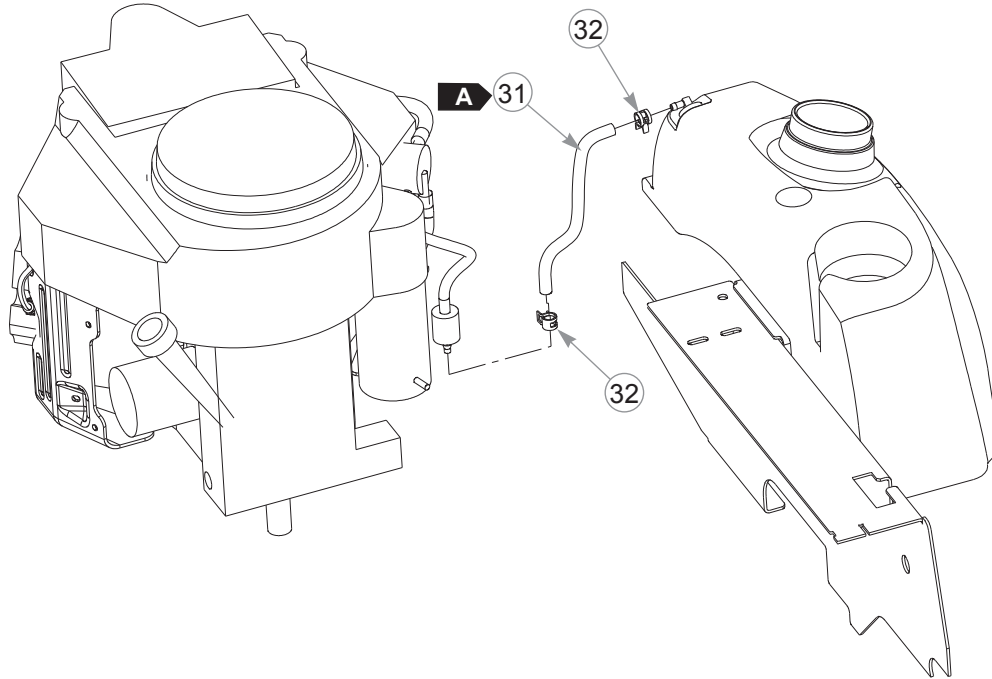
Engine, Kaw FR651V—S/N 12030001 & Higher

INDEX NO.	PART NO.	QTY.	DESCRIPTION
1	N/A	1	KAWASAKI FR651V ENGINE
2	113970	1	CABLE GUIDE
3	000398	1	LOOP CLAMP
4	036244	1	CS .375-16 X 1.00 HX G5
5	768523	1	FW .343 X .687 X .051/.080H
6	016899	1	NT .375-16 HX FLK ZNYC
7	720516	3	CS M8 X 1.25 X 16 HX G10.9
8	603150	1	MUFFLER
9	029876	1	LW .325 INT-EXT TOOTH
10	601841	1	NEGATIVE BATTERY CABLE
11	771428	1	RED BATTERY CABLE BOOT
12	024927	2	NT .250-20 HX G5 ZNYC
13	768515	4	FW .281 X .625 X .066
14	601062	1	POSITIVE BATTERY CABLE
15	055939	2	CS .250-20 X .75 HX G5
16	044255	1	NT #10-32 HX ZN
17	030817	1	STARTER SOLENOID
18	792762	1	POSITIVE BATTERY CABLE
19	601982	2	CN .250-20 X .15 MAX THK
20	767954	5	FW .379 X .813 X .063
21	602580	4	CS .375-16 X 1.25 HX G5 P85
22	793760	1	ENGINE PULLEY
23	712372	1	KEY 1/4 SQ X .66 LG
24	601784K	1	CLUTCH KIT
25	791251	1	CLUTCH HARNESS PIGTAIL
26	602680	1	FW .453 X 1.12 X .119 HRD
27	601834	1	CS .437-20 X 3.25 HX G5 P85
28	796524	1	OIL DRAIN VALVE
29	604463	3"	HOSE, 0.50" LOW PRESSURE
30	000331	1	WIRE TIE

NOTES:

1. Part of the wire harness.
2. Supplied with the engine.
3. Torque to 45–48 ft-lbs. Replace (do not reuse) the cap screw if it's removed or loosened. Use only hand tools to install this fastener.
4. Torque to 30–35 ft-lbs. Replace (do not reuse) the cap screw if it's removed or loosened. Use only hand tools to install this fastener.
5. Torque to 22 ft-lbs.

Fuel System, Kaw FR651V—S/N 12030001 & Higher



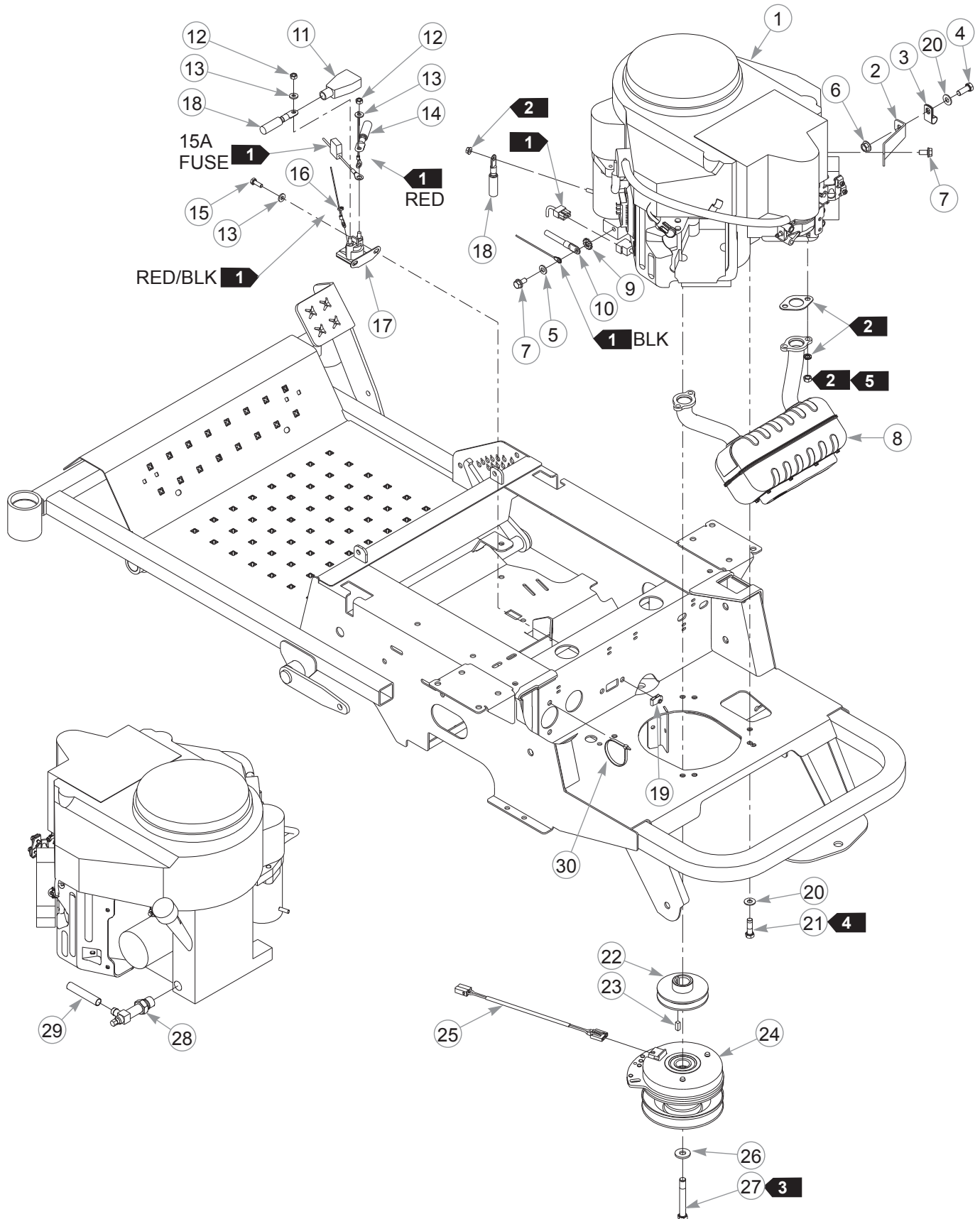
INDEX NO.	PART NO.	QTY.	DESCRIPTION
31	015818	12"	1/4" FUEL LINE
32	000323	2	HOSE CLAMP

NOTES:

FUEL LINE LENGTHS		
A	5"	TANK TO FUEL FILTER (FUEL)

This page intentionally left blank.

Engine, Kaw FR651V—S/N Prior to 12030001



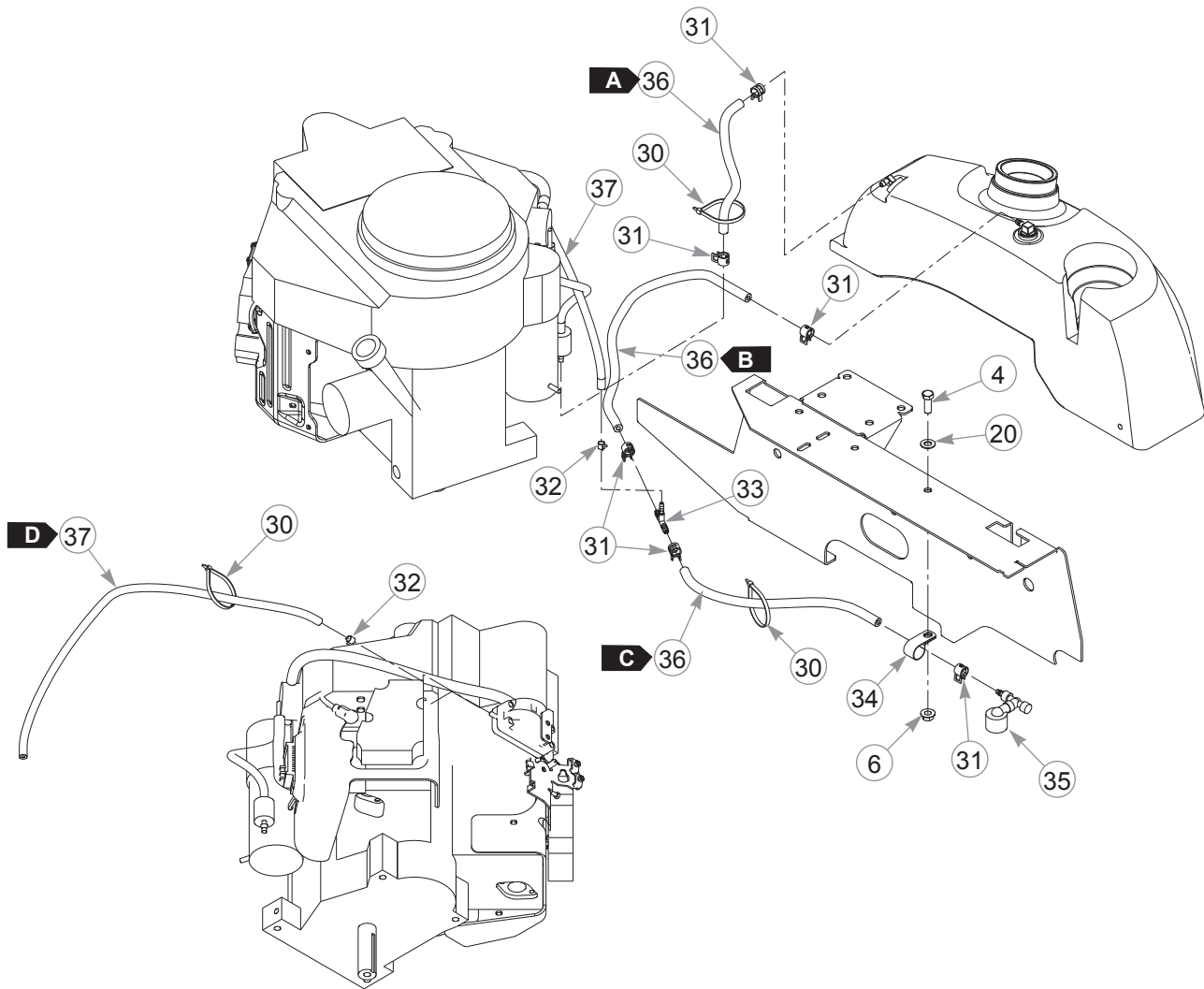
Engine, Kaw FR651V—S/N Prior to 12030001

INDEX NO.	PART NO.	QTY.	DESCRIPTION
1	N/A	1	KAWASAKI FR651V ENGINE
2	113970	1	CABLE GUIDE
3	000398	1	LOOP CLAMP
4	036244	2	CS .375-16 X 1.00 HX G5
5	768523	1	FW .343 X .687 X .051/.080H
6	016899	2	NT .375-16 HX FLK G5
7	720516	3	CS M8 X 1.25 X 16 HX G10.9
8	603150	1	MUFFLER
9	029876	1	LW .325 INT-EXT TOOTH
10	601841	1	NEGATIVE BATTERY CABLE
11	771428	1	RED BATTERY CABLE BOOT
12	024927	2	NT .250-20 HX G5 ZNYC
13	768515	4	FW .281 X .625 X .066
14	601062	1	POSITIVE BATTERY CABLE
15	055939	2	CS .250-20 X .75 HX G5
16	044255	1	NT #10-32 HX ZN
17	030817	1	STARTER SOLENOID
18	792762	1	POSITIVE BATTERY CABLE
19	601982	2	CN .250-20 X .15 MAX THK
20	767954	6	FW .379 X .813 X .063
21	602580	4	CS .375-16 X 1.25 HX G5 P85
22	793760	1	ENGINE PULLEY
23	712372	1	KEY 1/4 SQ X .66 LG
24	601784K	1	CLUTCH KIT (WITH PIGTAIL)
25	791251	1	CLUTCH HARNESS PIGTAIL
26	602680	1	FW .453 X 1.12 X .119 HRD
27	601834	1	CS .437-20 X 3.25 HX G5 P85
28	796524	1	OIL DRAIN VALVE
29	604463	3"	OIL DRAIN HOSE
30	000331	3	WIRE TIE

NOTES:

1. Part of the wire harness.
2. Supplied with the engine.
3. Torque to 45–48 ft-lbs. Replace (do not reuse) the cap screw if it's removed or loosened. Use only hand tools to install this fastener.
4. Torque to 30–35 ft-lbs. Replace (do not reuse) the cap screw if it's removed or loosened. Use only hand tools to install this fastener.
5. Torque to 22 ft-lbs.

Fuel System, Kaw FR651V—S/N Prior to 12030001



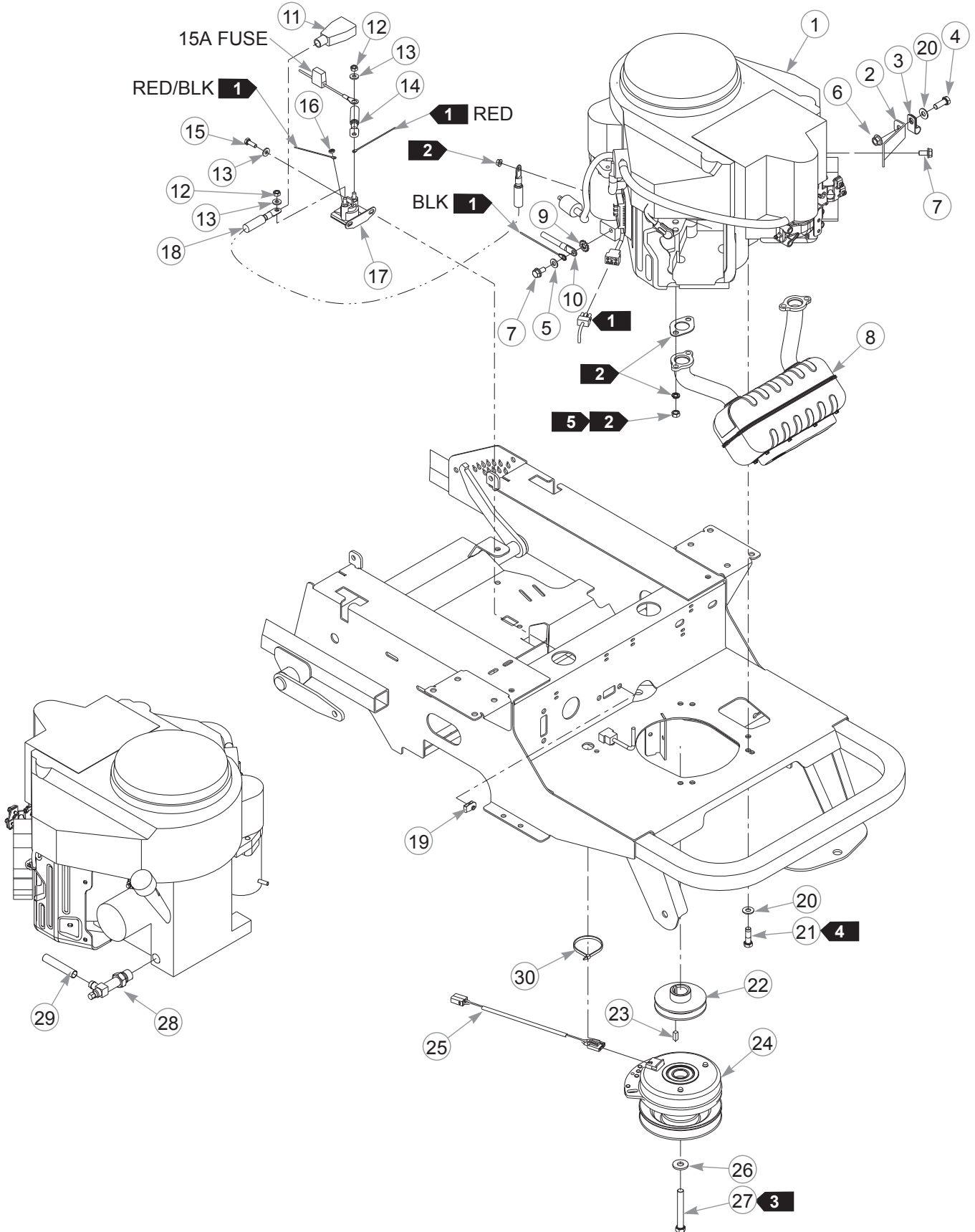
Fuel System, Kaw FR651V—S/N Prior to 12030001

INDEX NO.	PART NO.	QTY.	DESCRIPTION
31	000323	6	HOSE CLAMP
32	603112	2	CLAMP, 3/16"
33	603025	1	PLASTIC TEE 1/4" X 1/4" X 3/16"
34	043570	1	LOOP CLAMP
35	603283	1	VACUUM BREAKER
36	015818	40"	1/4" FUEL LINE
37	603326	24"	3/16" VAPOR LINE
38	603161	1	VACUUM BREAKER FILTER

NOTES:

FUEL & VAPOR LINE LENGTHS		
A	5"	TANK TO ENGINE (FUEL)
B	22"	TANK TO TEE (VAPOR)
C	13"	TEE TO VACUUM BREAKER (VAPOR)
D	24"	TEE TO ENGINE (VAPOR)

Engine, Kaw FR691V



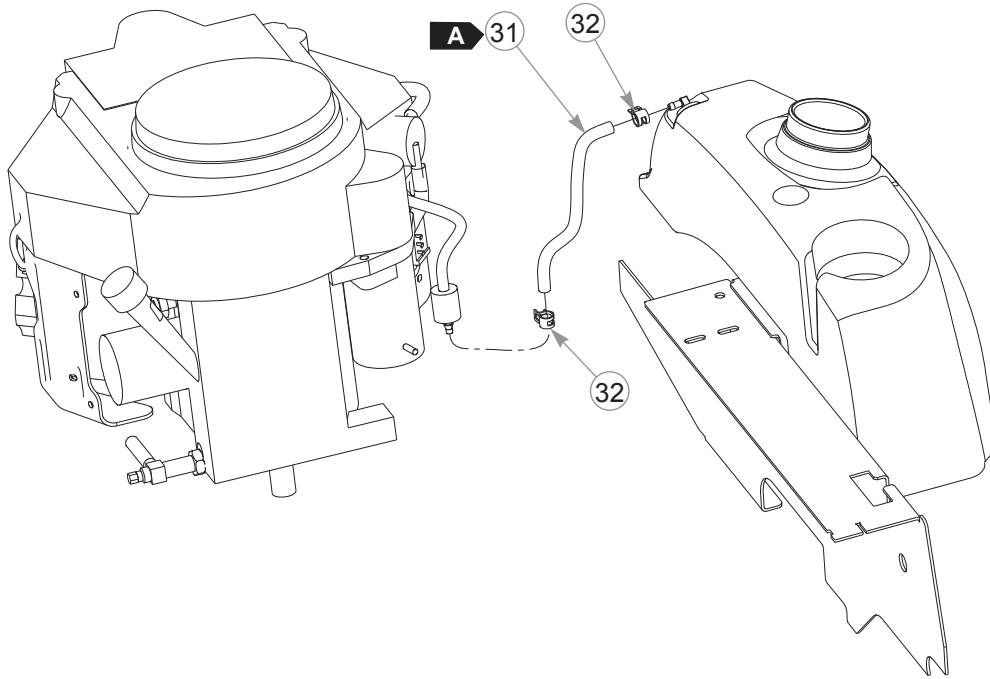
Engine, Kaw FR691V

INDEX NO.	PART NO.	QTY.	DESCRIPTION
1	N/A	1	KAWASAKI FR691V ENGINE
2	113970	1	CABLE GUIDE
3	000398	1	LOOP CLAMP
4	036244	1	CS .375-16 X 1.00 HX G5
5	768523	1	FW .343 X .687 X .051/.080H
6	016899	1	NT .375-16 HX FLK ZNYC
7	720516	3	CS M8 X 1.25 X 16 HX FL 10.9
8	603150	1	MUFFLER
9	029876	1	LW .325 INT-EXT TOOTH
10	601841	1	NEGATIVE BATTERY CABLE
11	771428	1	RED BATTERY CABLE BOOT
12	024927	2	NT .250-20 HX G5 ZNYC
13	768515	4	FW .281 X .625 X .066
14	601062	1	POSITIVE BATTERY CABLE
15	055939	2	CS .250-20 X .75 HX G5
16	044255	1	NT #10-32 HX ZN
17	030817	1	STARTER SOLENOID
18	792762	1	POSITIVE BATTERY CABLE
19	601982	2	CN .250-20 X .15 MAX THK
20	767954	5	FW .379 X .813 X .063
21	602580	4	CS .375-16 X 1.25 HX G8 P85
22	793760	1	ENGINE PULLEY
23	712372	1	KEY 1/4 SQ X .66 LG
24	601784K	1	CLUTCH KIT
25	791251	1	CLUTCH HARNESS PIGTAIL
26	602680	1	FW .453 X 1.12 X .119 HRD
27	601834	1	CS .437-20 X 3.25 HX G5 P85
28	796524	1	OIL DRAIN VALVE
29	604463	3"	OIL DRAIN HOSE
30	000331	1	WIRE TIE

NOTES:

1. Part of the wire harness.
2. Supplied with the engine.
3. Torque to 45–48 ft-lbs. Replace (do not reuse) the cap screw if it is removed or loosened. Use only hand tools to install this fastener.
4. Torque to 30–35 ft-lbs. Replace (do not reuse) the cap screw if it is removed or loosened. Use only hand tools to install this fastener.
5. Torque the nuts to 22 ft-lbs.

Fuel System, Kaw FR691V



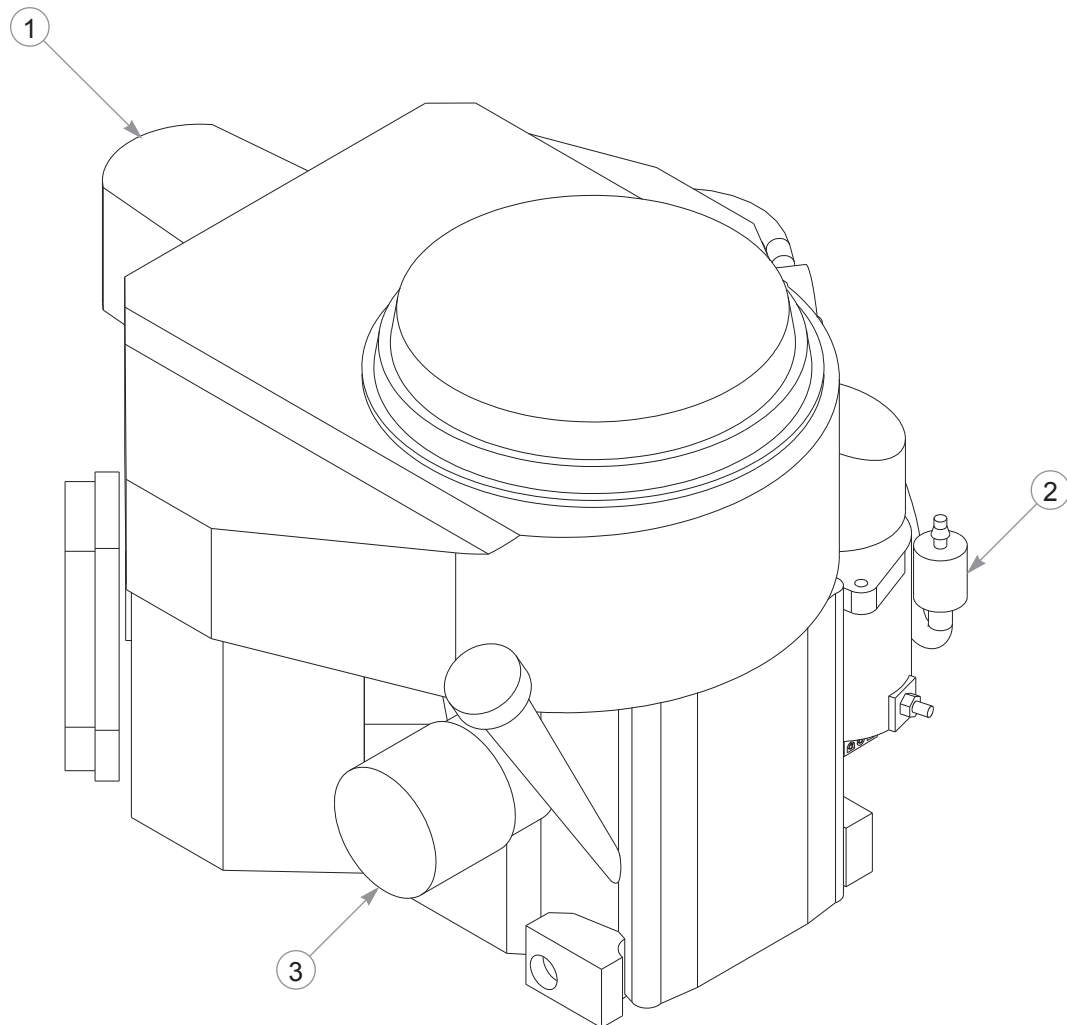
INDEX NO.	PART NO.	QTY.	DESCRIPTION
31	015818	12"	1/4" FUEL LINE
32	000323	2	HOSE CLAMP

NOTES:

FUEL LINE LENGTHS		
A	12"	TANK TO FUEL FILTER (FUEL)

This page intentionally left blank.

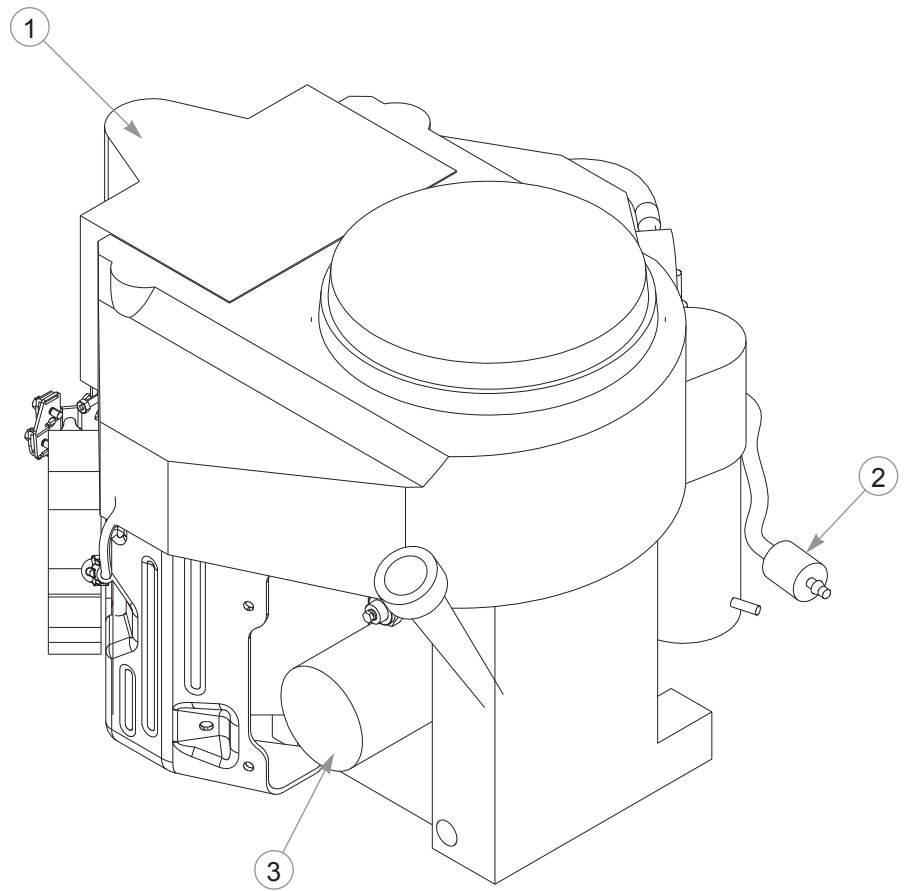
Engine Service Parts, Kaw FR541V & FR600V



INDEX NO.	PART NO.	QTY.	DESCRIPTION
1	604240	1	AIR FILTER
2	068478	1	IN-LINE FUEL FILTER
3	602581	1	ENGINE OIL FILTER

NOTES:

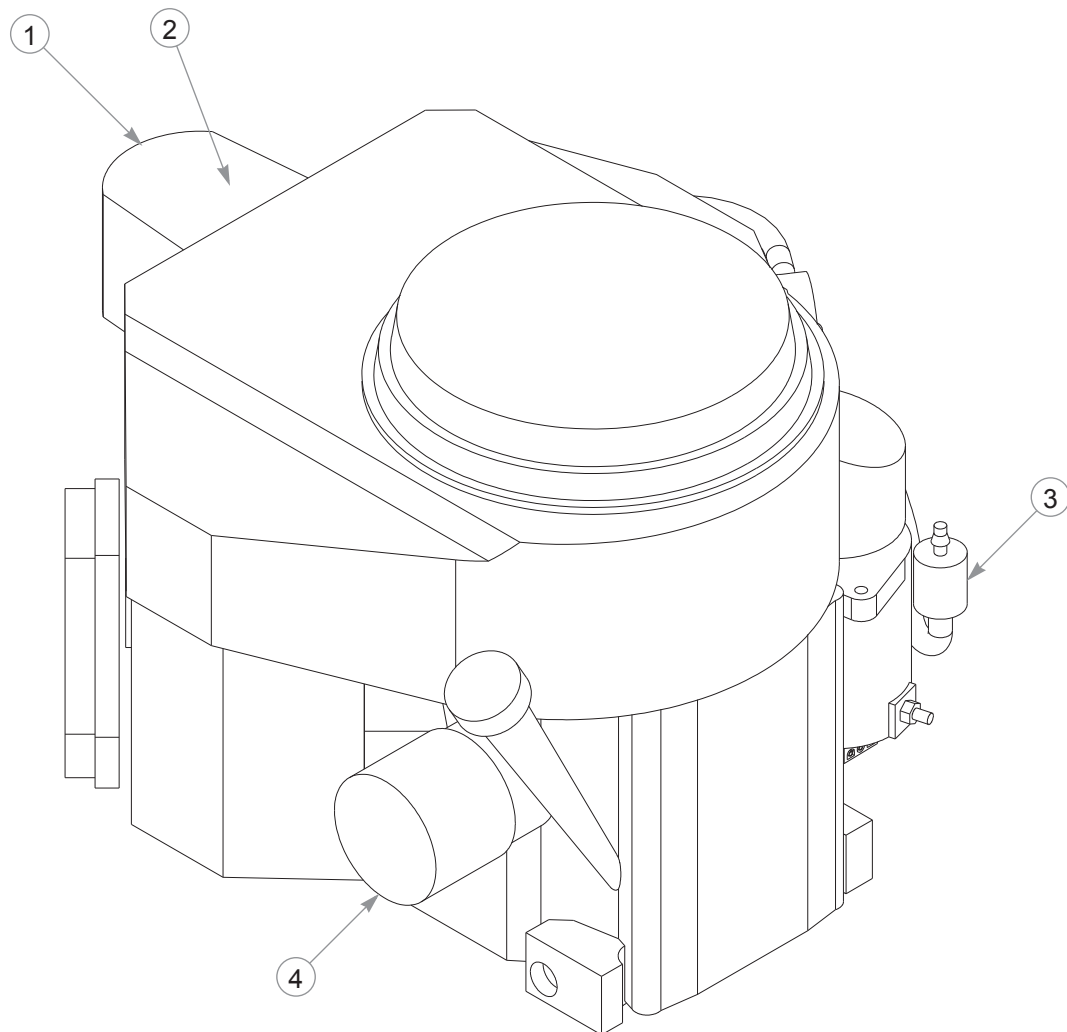
Engine Service Parts, Kaw FR651V



INDEX NO.	PART NO.	QTY.	DESCRIPTION
1	603059	1	AIR FILTER
2	068478	1	IN-LINE FUEL FILTER
3	602581	1	ENGINE OIL FILTER

NOTES:

Engine Service Parts, Kaw FS691V

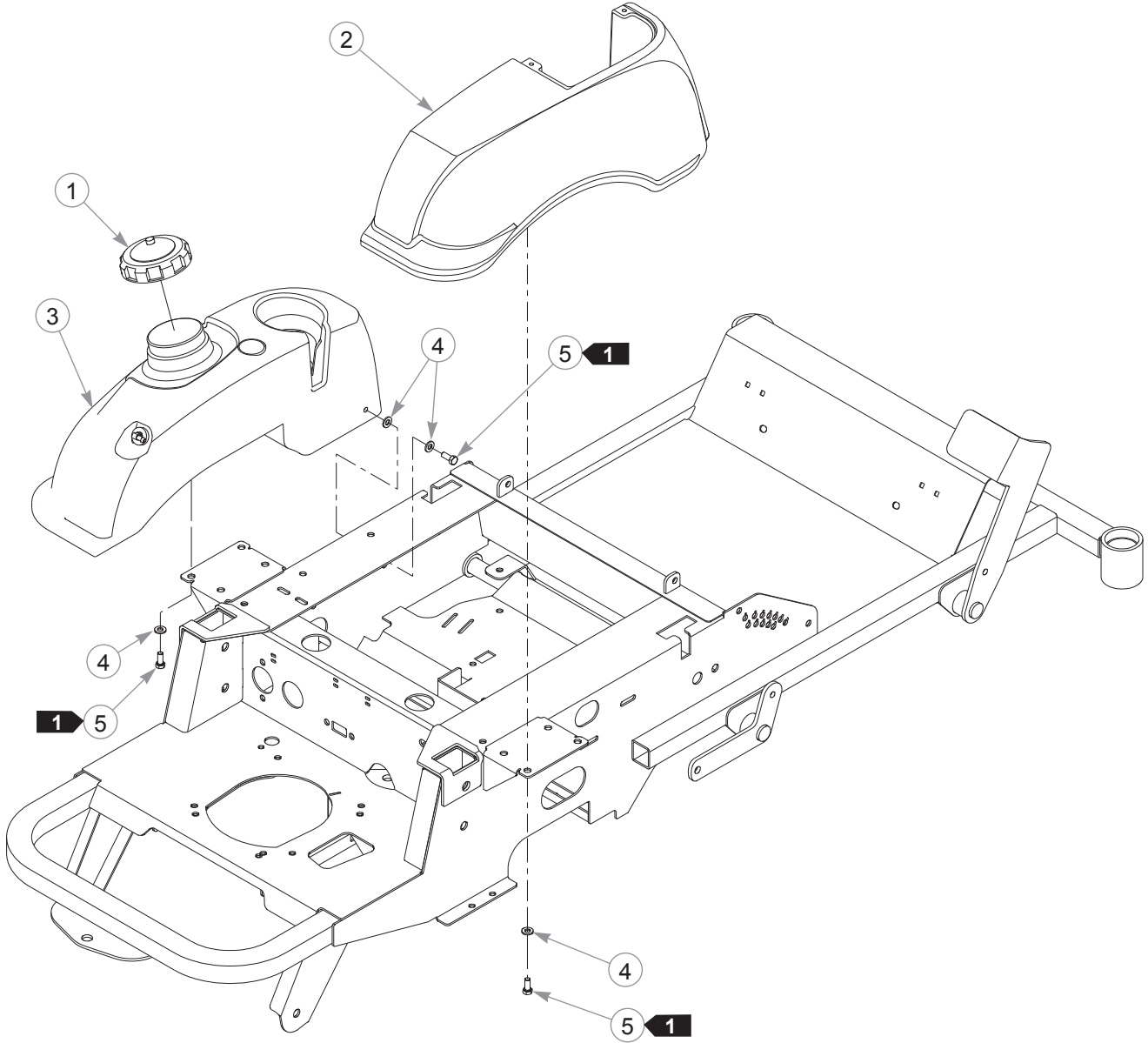


INDEX NO.	PART NO.	QTY.	DESCRIPTION
1	603058		PRE-FILTER
2	603059	1	AIR FILTER
3	068478	1	IN-LINE FUEL FILTER
4	602581	1	ENGINE OIL FILTER

NOTES:

This page intentionally left blank.

Fuel Tank, Fender—S/N Prior to 11010000 and S/N 12030001 & Higher



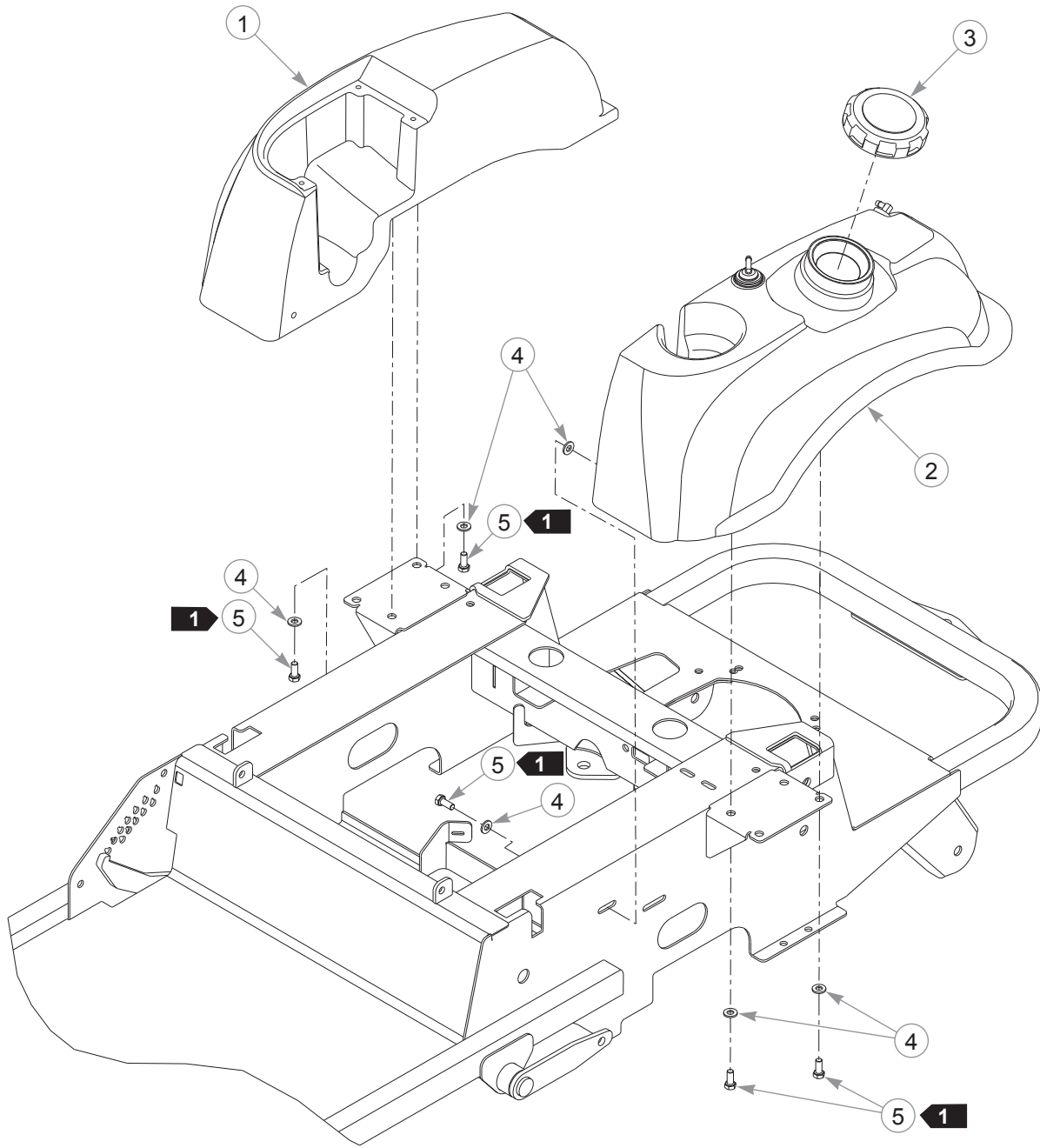
**Fuel Tank, Fender—S/N Prior to 11010000 and S/N 12030001
& Higher**

ITEM NO.	PART NO.	QTY	DESCRIPTION
1	779306	1	FUEL CAP, 3.5"
2	110080	1	RS FENDER
3	110081	1	LS TANK FENDER ASSEMBLY
4	768523	8	FW .343 X .687 X .051/.080H
5	034280	6	CS .312-18 X .75 HX G5

NOTES:

1. Torque to 7 ft-lbs.

Fuel Tank & Fender—S/N 11010000 to 12030001



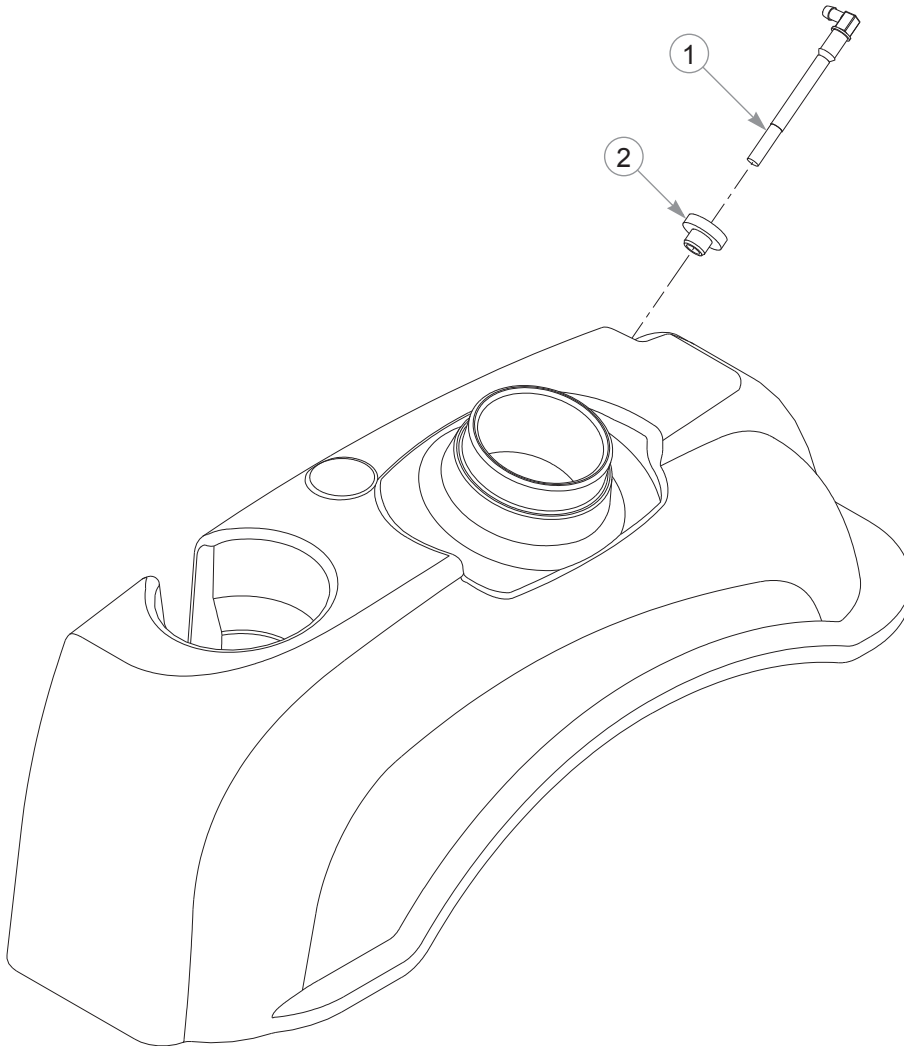
Fuel Tank & Fender—S/N 11010000 to 12030001

INDEX NO.	PART NO.	QTY.	DESCRIPTION
1	110080	1	RS FENDER
2	603502	1	LS FUEL TANK FENDER ASSEMBLY
3	603807	1	RATCHETING GAS CAP, 3.5"
4	768523	8	FW .343 X .687 X .051/.080H
5	034280	6	CS .312-18 X .75 HX G5

NOTES:

1. Torque to 7 ft-lbs.

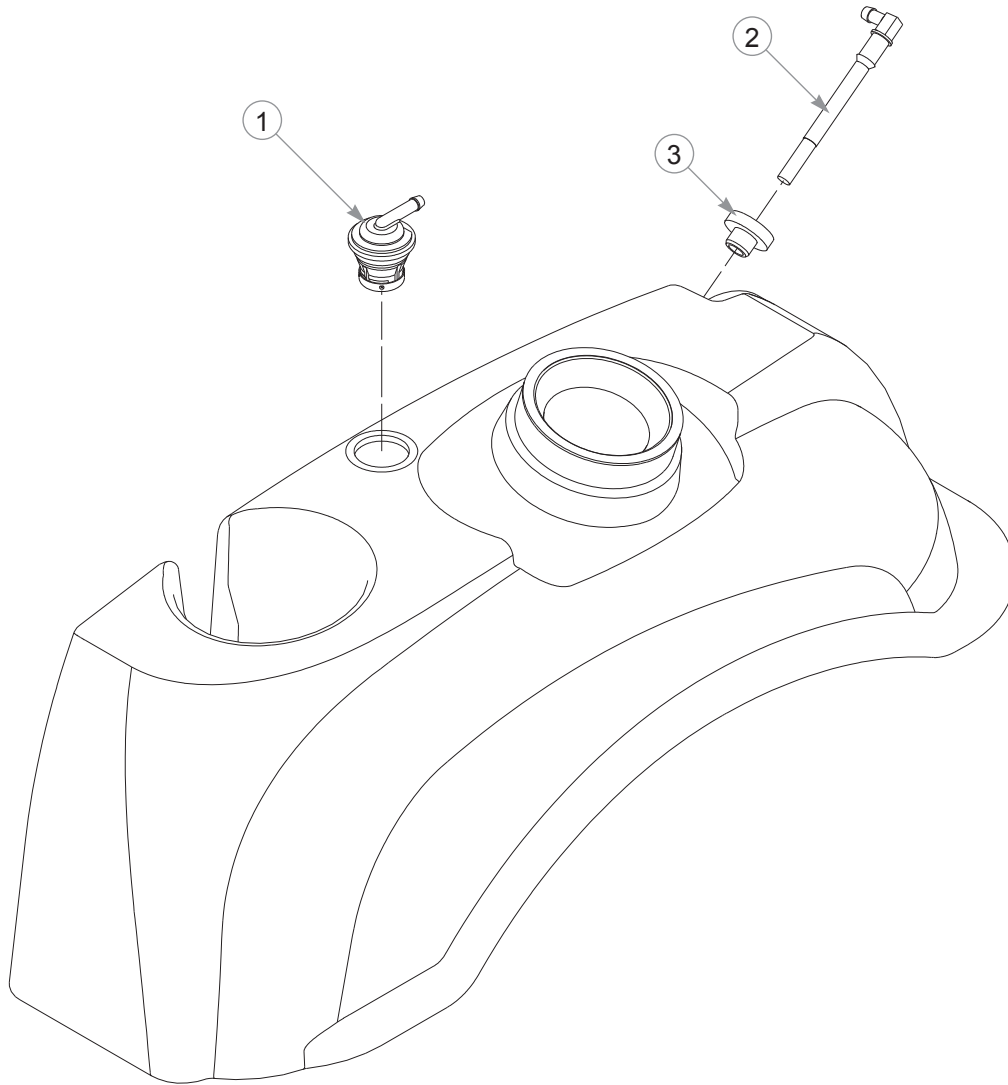
**Fuel Tank Service Parts—S/N Prior to 1101000 and S/N
12030001 & Higher**



INDEX NO.	PART NO.	QTY.	DESCRIPTION
1	603896	1	SUCTION HOSE ASSY 20.5"
2	785295	1	SUCTION HOSE GROMMET

NOTES:

Fuel Tank Service Parts—S/N 11010000 to 12030001



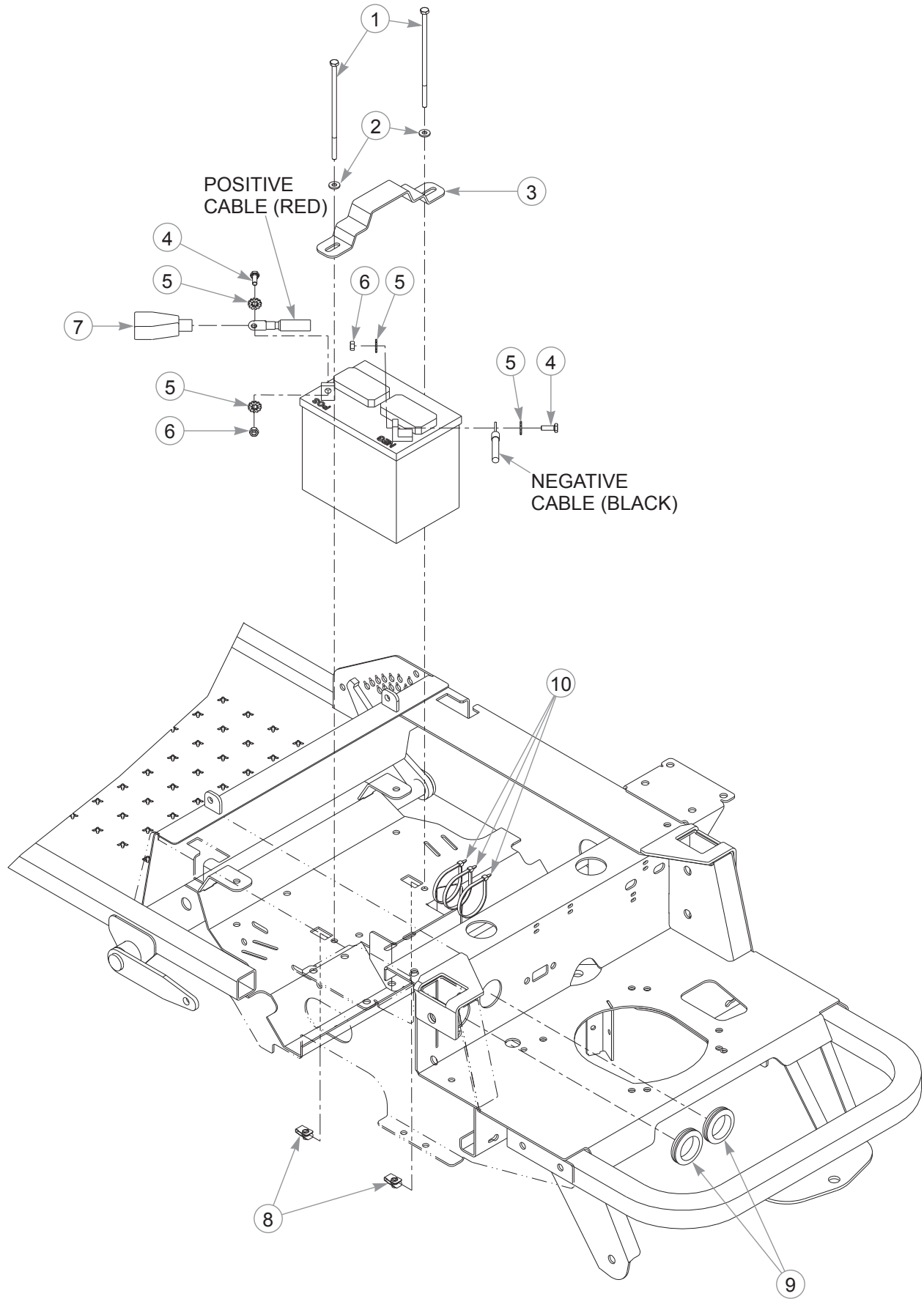
INDEX NO.	PART NO.	QTY.	DESCRIPTION
1	117118	1	VENT FITTING KIT
2	603896	1	SUCTION HOSE ASSY 20.5"
3	785295	1	SUCTION HOSE GROMMET

NOTES:

Section 6

Battery	6-2
Instrument Panel—17 HP & 21 HP Briggs & Stratton	6-4
Instrument Panel, 26 HP Briggs & Stratton	6-6
Instrument Panel, Kawasaki	6-8

Battery

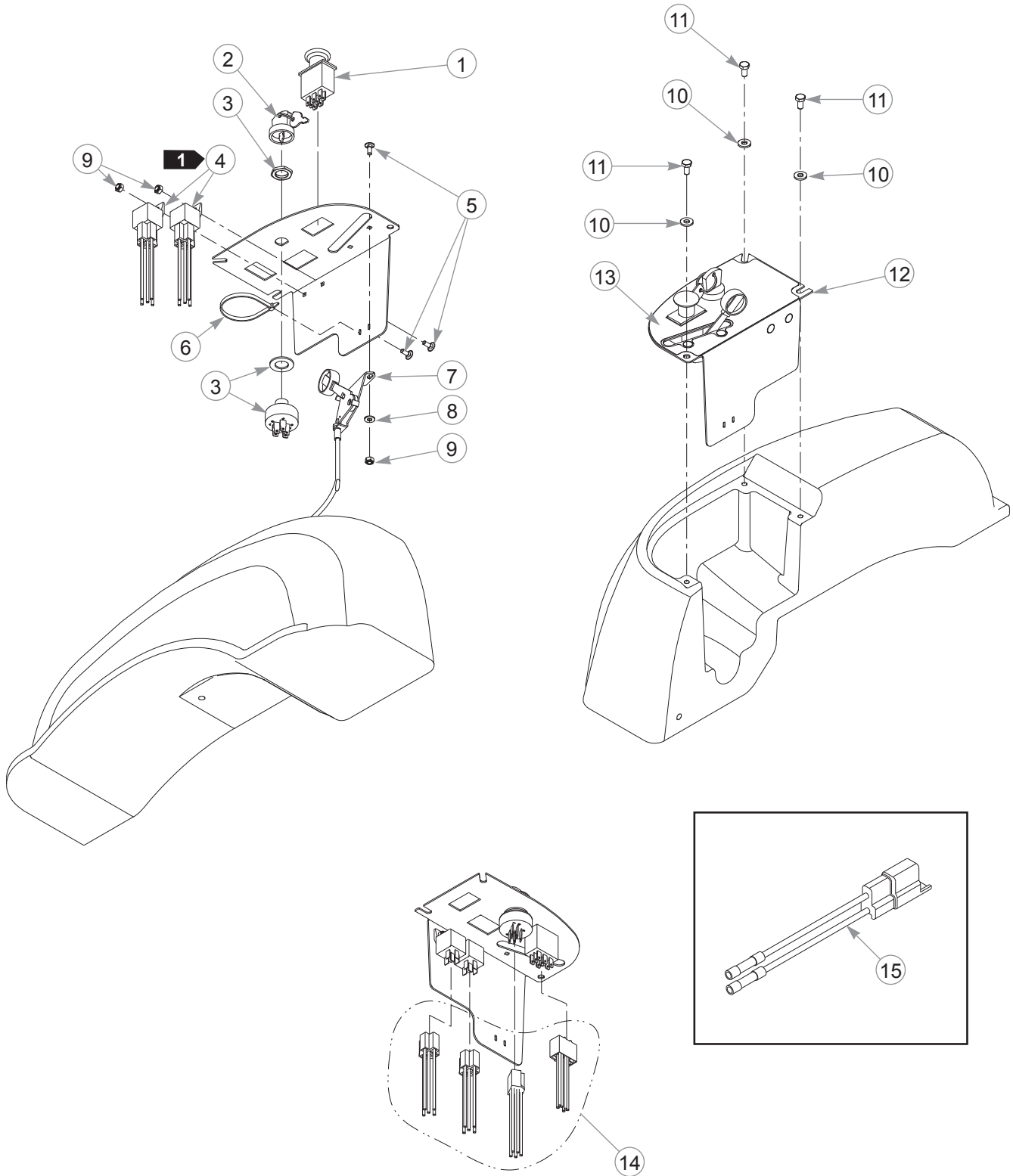


Battery

INDEX NO.	PART NO.	QTY.	DESCRIPTION
1	601930	2	CS .250-20 X 6.50 HX G5
2	768515	2	FW .281 X .625 X .066
3	348417	1	BATTERY CLAMP STRAP
4	055939	2	CS .250-20 X .75 HX G5 ZN
5	029868	4	LW .250 INT-EXT TOOTH Z
6	024927	2	NT .250-20 HX G5
7	771428	1	RED BATTERY CABLE BOOT
8	601982	2	CN .250-20 X .15 MAX THK
9	794644	2	GROMMET
10	000331	3	WIRE TIE

NOTES:

Instrument Panel—17 HP & 21 HP Briggs & Stratton



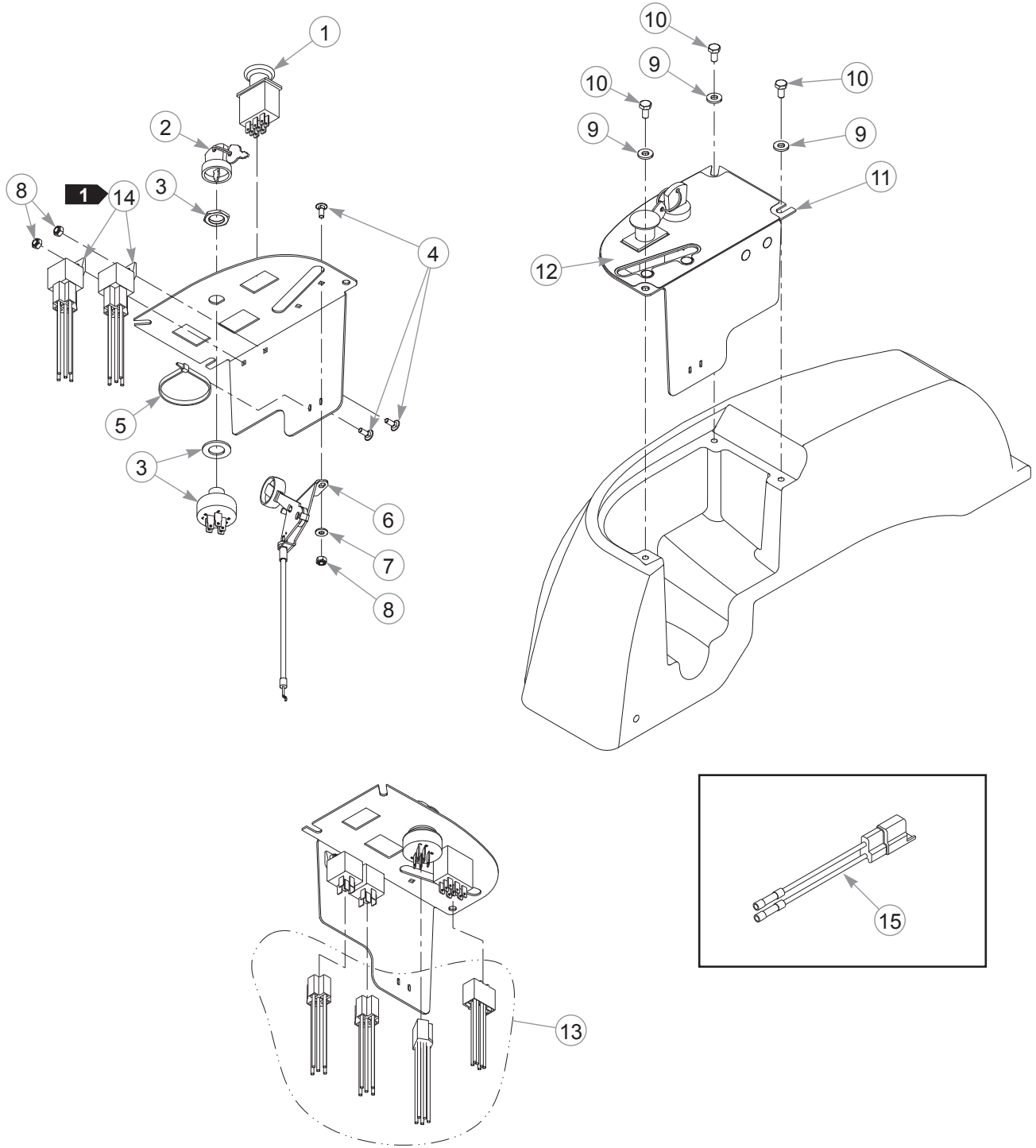
Instrument Panel—17 HP & 21 HP Briggs & Stratton

INDEX NO.	PART NO.	QTY.	DESCRIPTION
1	776476	1	PTO SWITCH
2	785808	1	KEY ASSEMBLY
3	045898	1	IGNITION SWITCH
4	601053	2	SEALED RELAY (WITH BRACKET)
5	601098	4	CB 10-24 X .50 ZYNC
6	000331	5	WIRE TIE
7	601803	1	THROTTLE/CHOKE CABLE
8	704932	2	FW .219 X .50 X .048 ZNYC
9	059832	4	NT #10-24 HX NL ZN
10	768515	3	FW .281 X .625 X .066
11	055947	3	CS .250-20 X .50 HX G5
12	550224	1	INSTRUMENT PANEL (WITH DECAL)
13	601811	1	INSTRUMENT PANEL DECAL
14	601676	1	WIRE HARNESS
15	114052	1	CLUTCH CONNECTOR REPAIR KIT

NOTES:

1. Part of the wire harness.

Instrument Panel, 26 HP Briggs & Stratton



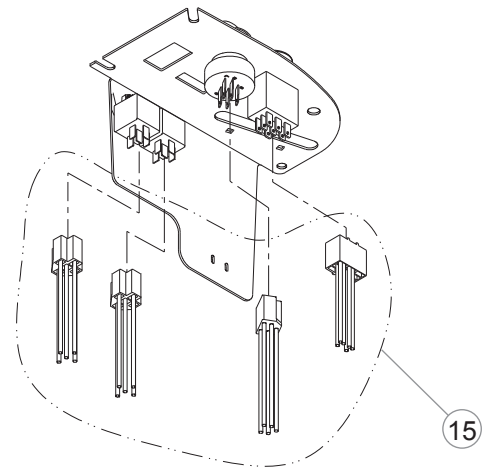
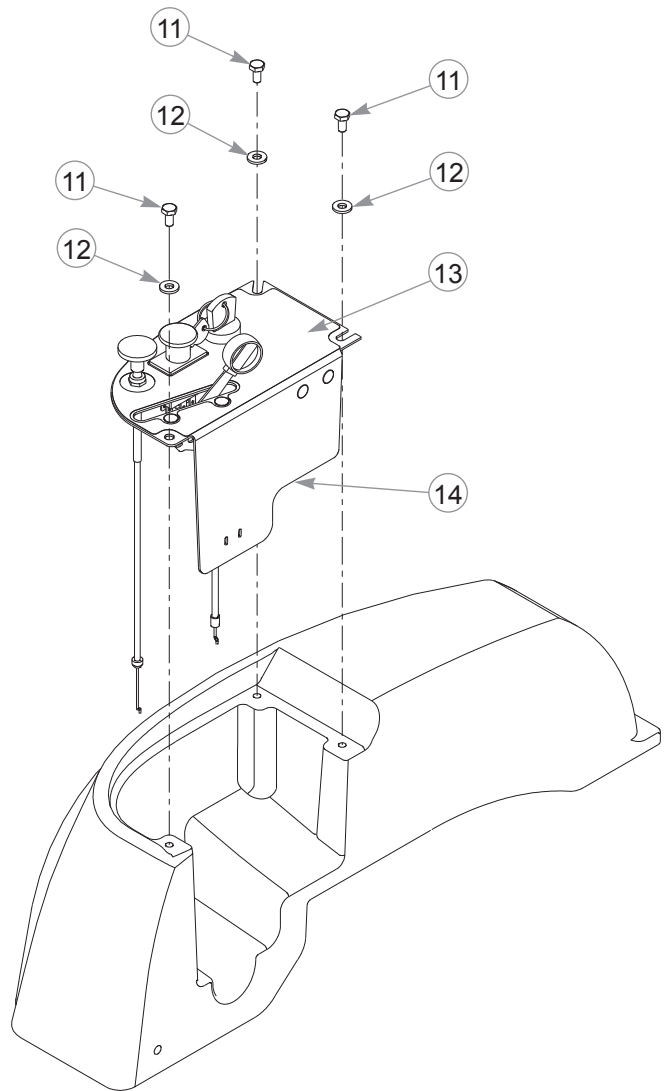
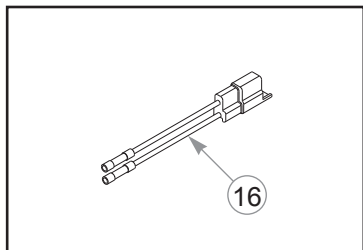
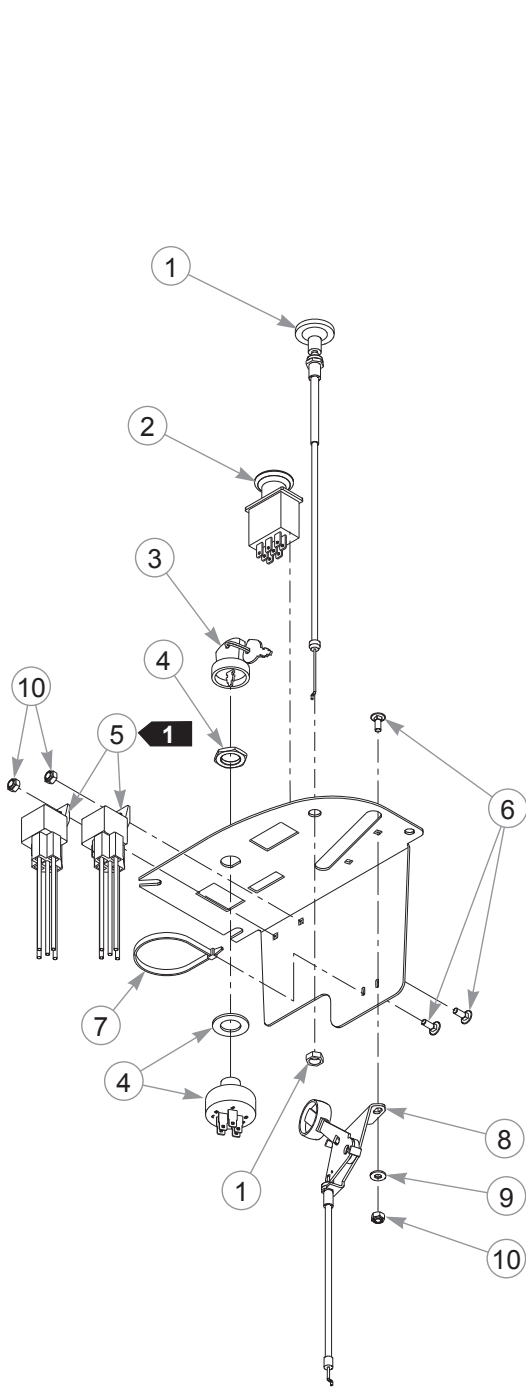
Instrument Panel, 26 HP Briggs & Stratton

INDEX NO.	PART NO.	QTY.	DESCRIPTION
1	776476	1	PTO SWITCH
2	785808	1	KEY ASSEMBLY
3	045898	1	IGNITION SWITCH
4	601098	4	CB 10-24 X .50 ZYNC
5	000331	5	WIRE TIE
6	602555	1	40" THROTTLE/CHOKE CABLE
7	704932	2	FW .219 X .50 X .048 ZNYC
8	059832	4	NT #10-24 HX NL ZN
9	768515	3	FW .281 X .625 X .066
10	055947	3	CS .250-20 X .50 HX G5
11	550224	1	INSTRUMENT PANEL (WITH DECAL)
12	601811	1	INSTRUMENT PANEL DECAL
13	601676	1	WIRE HARNESS
14	601053	2	SEALED RELAY (WITH BRACKET)
15	114052	1	CLUTCH CONNECTOR REPAIR KIT

NOTES:

1. Part of the wire harness.

Instrument Panel, Kawasaki



Instrument Panel, Kawasaki

INDEX NO.	PART NO.	QTY.	DESCRIPTION
1	601097	1	CHOKE CABLE
2	776476	1	PTO SWITCH
3	785808	1	KEY ASSEMBLY
4	045898	1	IGNITION SWITCH
5	601053	2	SEALED RELAY (WITH BRACKET)
6	601098	4	CB 10-24 X .50 ZYNC
7	000331	5	WIRE TIE
8	601096	1	THROTTLE CABLE
9	704932	2	FW .219 X .50 X .048 ZNYC
10	059832	4	NT #10-24 HX NL ZN
11	055947	3	CS .250-20 X .50 HX G5
12	768515	3	FW .281 X .625 X .066
13	603109	1	INSTRUMENT PANEL DECAL
14	550903	1	INSTRUMENT PANEL (WITH DECAL)
15	601676	1	WIRE HARNESS
16	114052	1	CLUTCH CONNECTOR REPAIR KIT

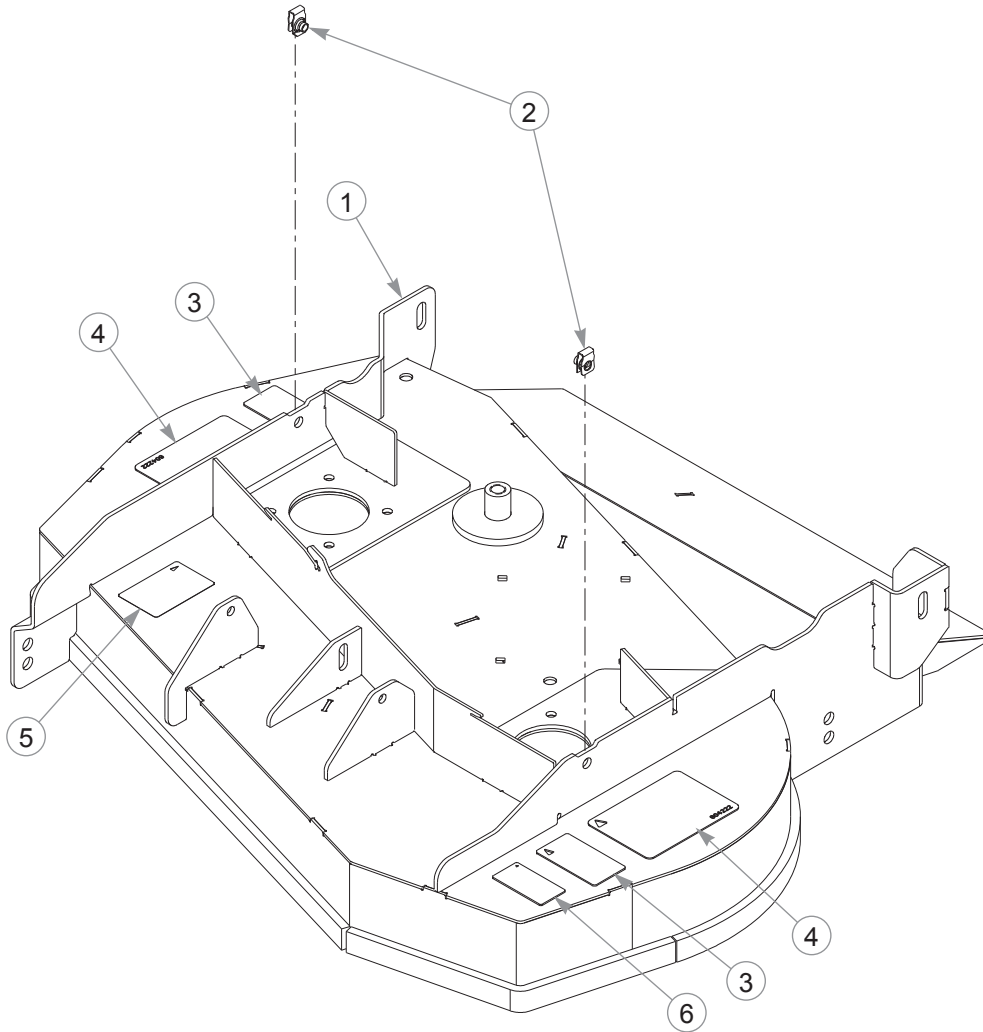
NOTES:

1. Part of the wire harness.

Section 7

36" Rear Discharge Service Deck	7-2
36" Rear Discharge Deck Pulleys & Spindles	7-4
36" Rear Discharge Deck	7-6
42" Side Discharge Service Deck	7-8
42" Side Discharge Deck Pulleys & Spindles	7-10
42" Side Discharge Deck	7-12
48" Side Discharge Service Deck	7-14
48" Side Discharge Deck Pulleys & Spindles	7-16
48" Side Discharge Deck	7-18
54" Side Discharge Service Deck	7-20
54" Side Discharge Deck Pulleys & Spindles	7-22
54" Side Discharge Deck	7-24
Deck Lift	7-26
Deck Mounting Hardware	7-28

36" Rear Discharge Service Deck

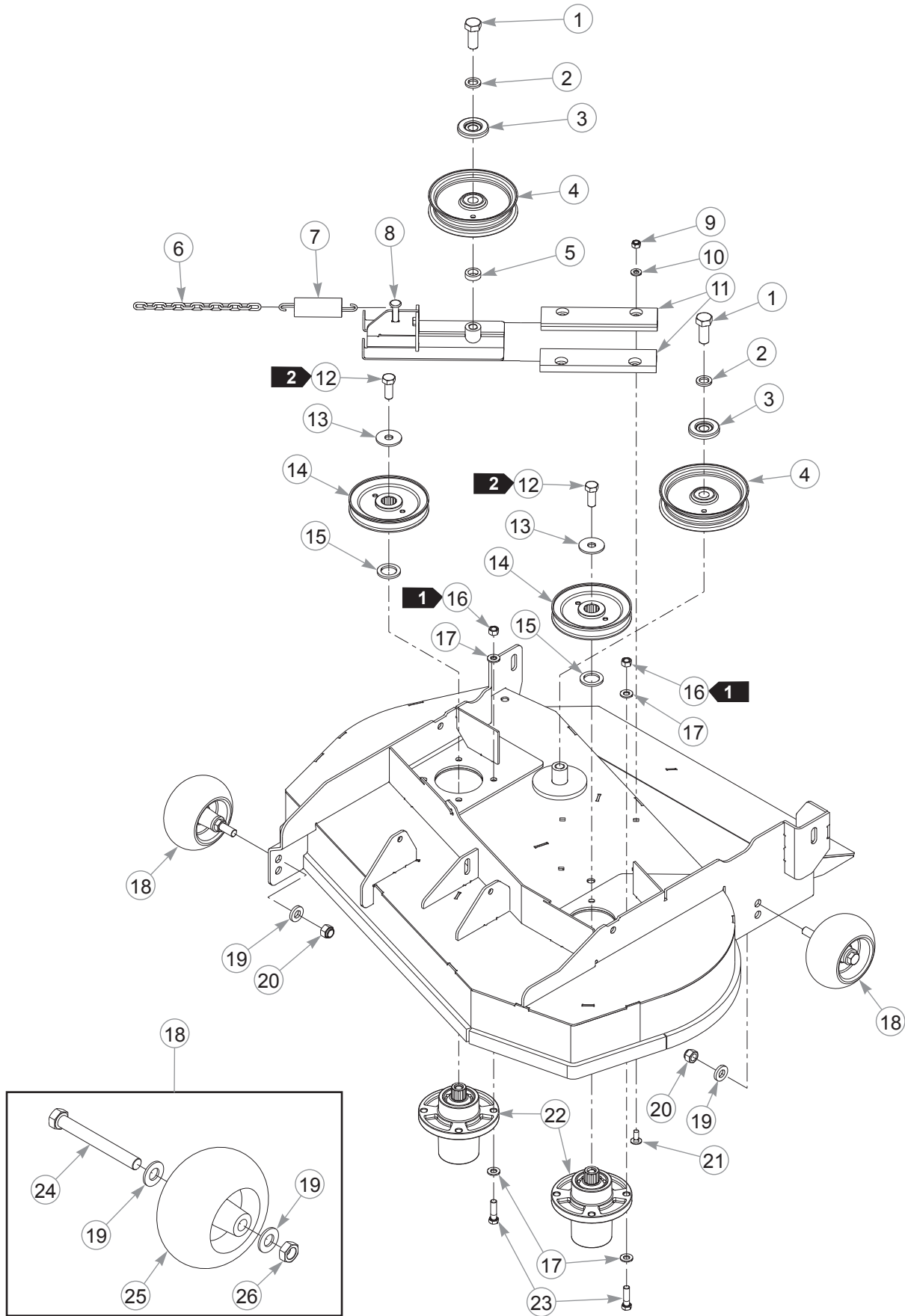


INDEX NO.	PART NO.	QTY.	DESCRIPTION
1	551989	1	36" DECK (WITH HARDWARE & DECALS)
2	601069	2	CN .312-18 X .20 MAX THK
3	603391	2	RUBBER FLAP DECAL
4	604222	2	THROWN OBJECTS DECAL
5	602243	1	DECK BELT ROUTING DECAL
6	793513	1	36" DECK ID DECAL

NOTES:

This page intentionally left blank.

36" Rear Discharge Deck Pulleys & Spindles



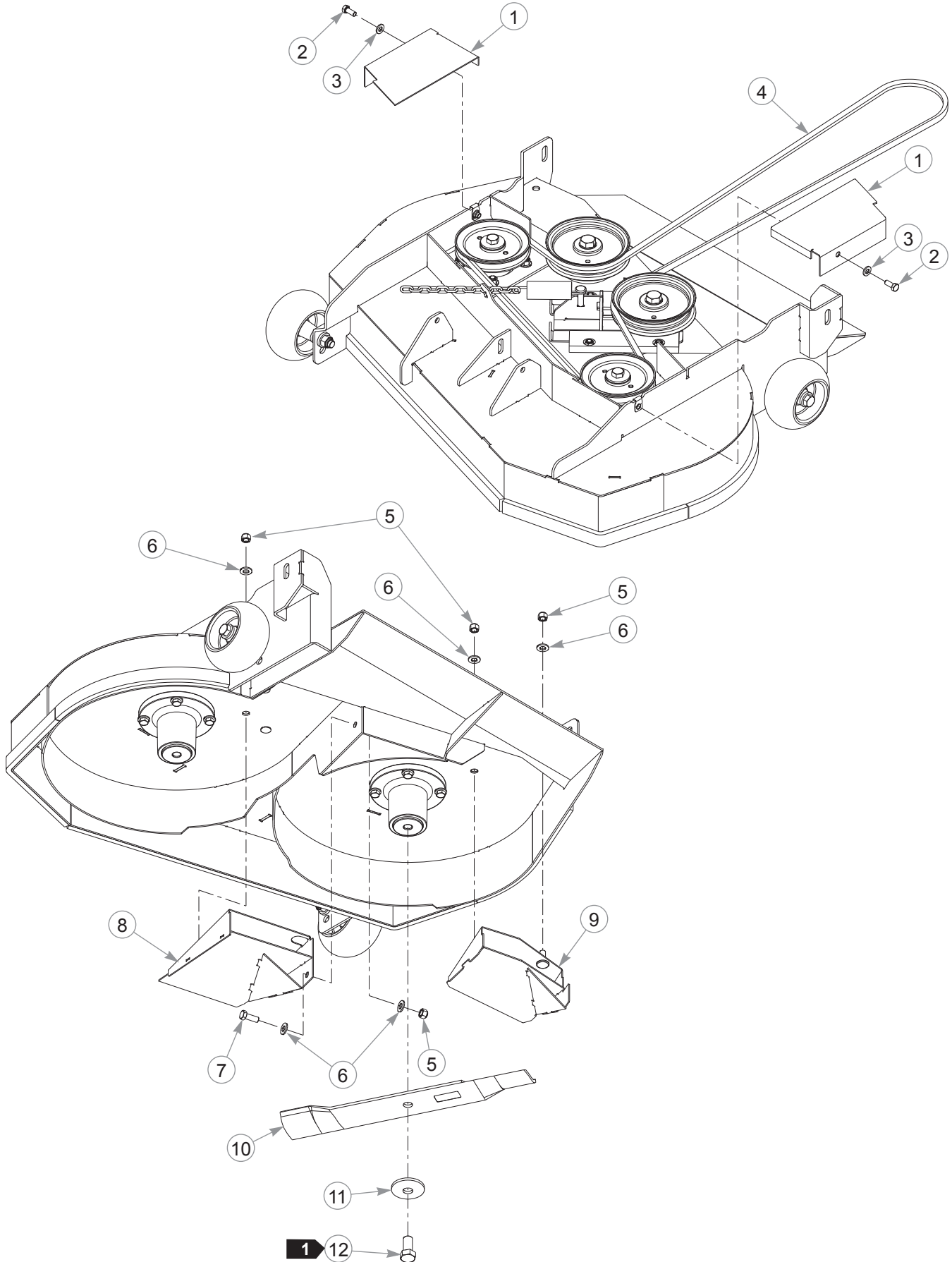
36" Rear Discharge Deck Pulleys & Spindles

INDEX NO.	PART NO.	QTY.	DESCRIPTION
1	794446	2	CS .625-11 X 1.50 HX G5
2	028118	2	FW .625 X 1.00 X .134 ZNYC
3	603057	2	DUST SHIELD WITH OFFSET
4	781856	2	IDLER PULLEY NHI 5.0"
5	600296	1	DECK IDLER SPACER
6	259812	1	CHAIN, 13 LINK
7	036384	1	SPRING 1/4 COIL PL 1.23
8	114433	1	IDLER SLIDE
9	058776	4	NT .312-18 HX ZY NL
10	768523	4	FW .343 X .687 X .051/.080H
11	603750	2	SHORT IDLER SLIDE
12	705954	2	CS .500-13 X 1.25 HX G5 ZN
13	798603	2	FW .515 X 1.65 X .125 HD ZY
14	603730	2	DRIVE PULLEY
15	045765	2	FW 1.030 X 1.50 X .134 ZN
16	054502	8	NT .375-16 HX G5 ZNY
17	767954	16	FW .379 X .813 X .063
18	788166	2	PLASTIC WHEEL ASSEMBLY (INCLUDES HARDWARE)
19	767962	4	FW .531 X 1.063 X .175
20	781567	2	NT .500-13 HX G8 ZY NL
21	016253	4	CB .312-18 X .75 FUL ZN
22	601804	2	BLADE SPINDLE
23	005116	8	CS .375-16 X 1.375 HX G5
24	781708	1	CS .500-13 X 4.25 HX G5
25	031997	1	PLASTIC WHEEL
26	053199	1	NT .500-13 HX JAM ZNYC

NOTES:

1. Torque to 30 ft-lbs.
2. Torque to 73 ft-lbs.

36" Rear Discharge Deck



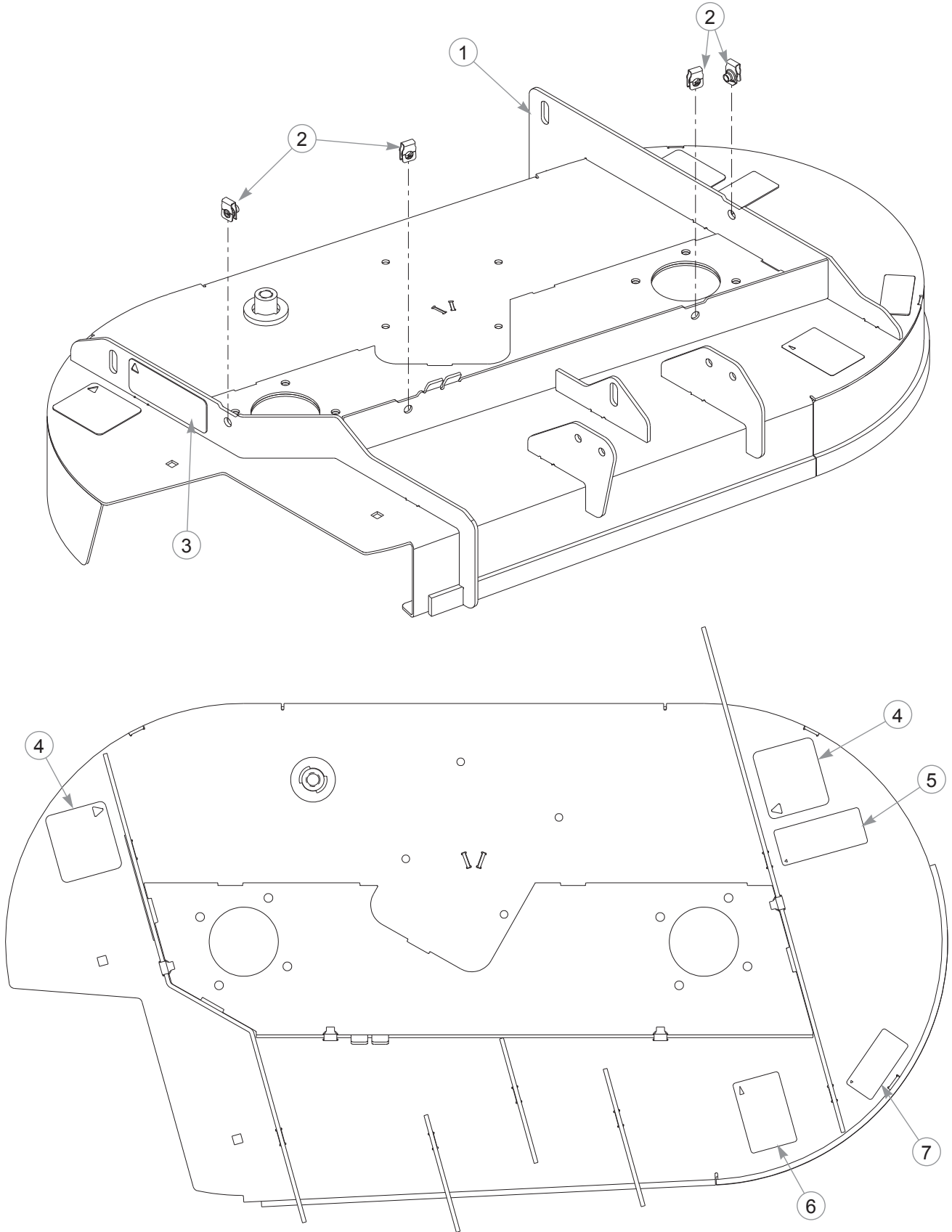
36" Rear Discharge Deck

INDEX NO.	PART NO.	QTY.	DESCRIPTION
1	551990	2	PULLEY COVER (WITH DECAL)
2	034280	2	CS .312-18 X .75 HX G5
3	768523	2	FW .343 X .687 X .051/.080H
4	793828	1	BELT, A-SEC
5	086660	4	NT .375-16 HX ZY NL
6	767954	5	FW .379 X .813 X .063
7	036244	1	CS .375-16 X 1.00 HX G5
8	116217	1	LS RAMP
9	117375	1	RS RAMP
10	783753	2	BLADE, 17.86"-L-F-CW
	785436	2	BLADE, 17.86"-GAT-F-CW
	794198	2	BLADE, 17.86"-MUL-F-CW
	795526	2	BLADE, F17.86"-H-F-CW
11	782474	2	CW .631 X 2.25 X .187 PNT
12	781872	2	CS .625-11 X 1.25 HX G5 Z

NOTES:

1. Torque to 118 ft-lbs.

42" Side Discharge Service Deck

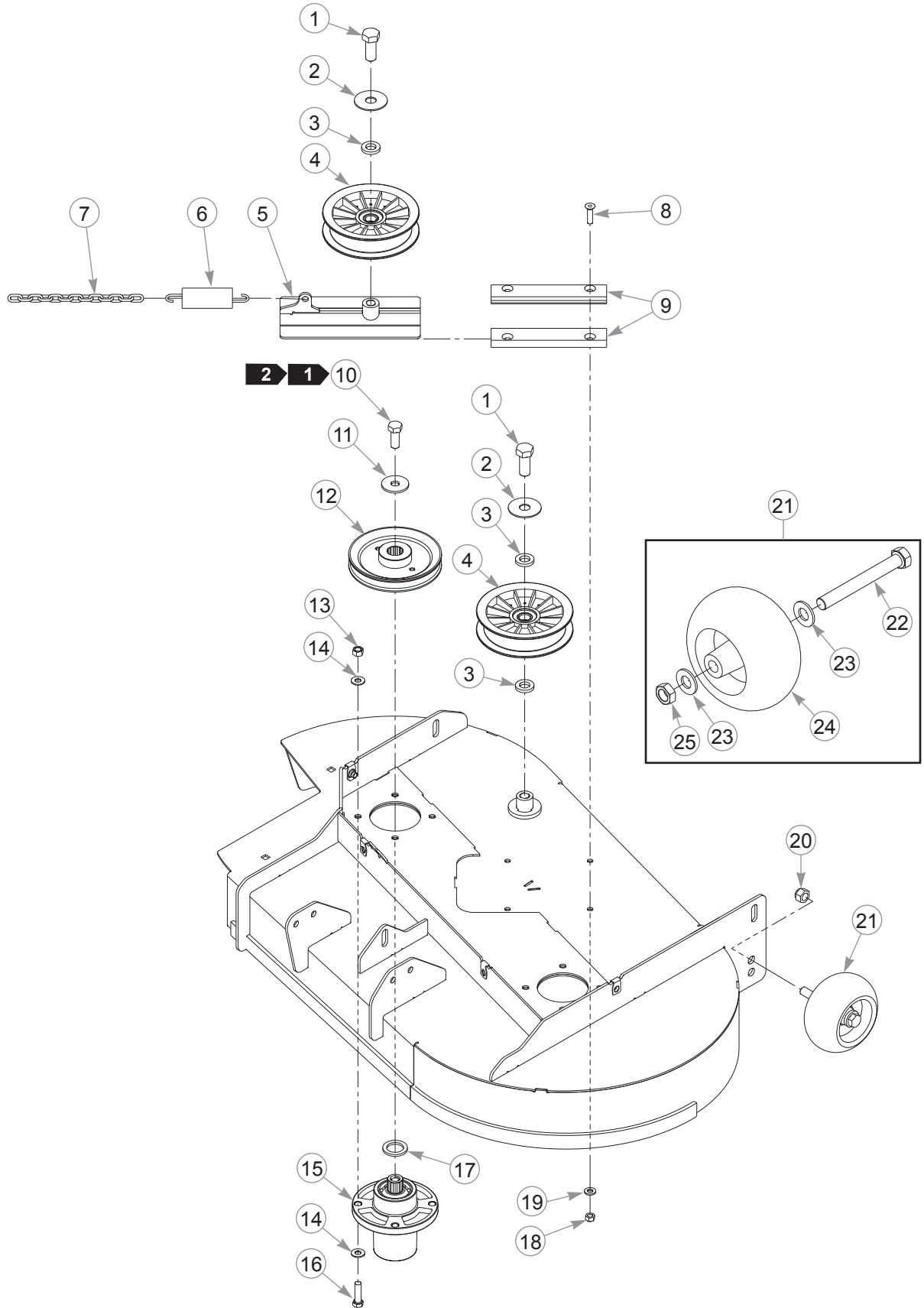


42" Side Discharge Service Deck

INDEX NO.	PART NO.	QTY	DESCRIPTION
1	550592	1	42" DECK (WITH HARDWARE & DECALS)
2	601069	4	CN .312-18 X .20 MAX THK
3	601624	1	DISCHARGE CHUTE DECAL
4	601837	2	DECK DANGERS DECAL
5	601892	1	THROWN OBJECTS DECAL
6	602243	1	BELT ROUTING DECAL
7	793521	1	42" DECK ID DECAL

NOTES:

42" Side Discharge Deck Pulleys & Spindles



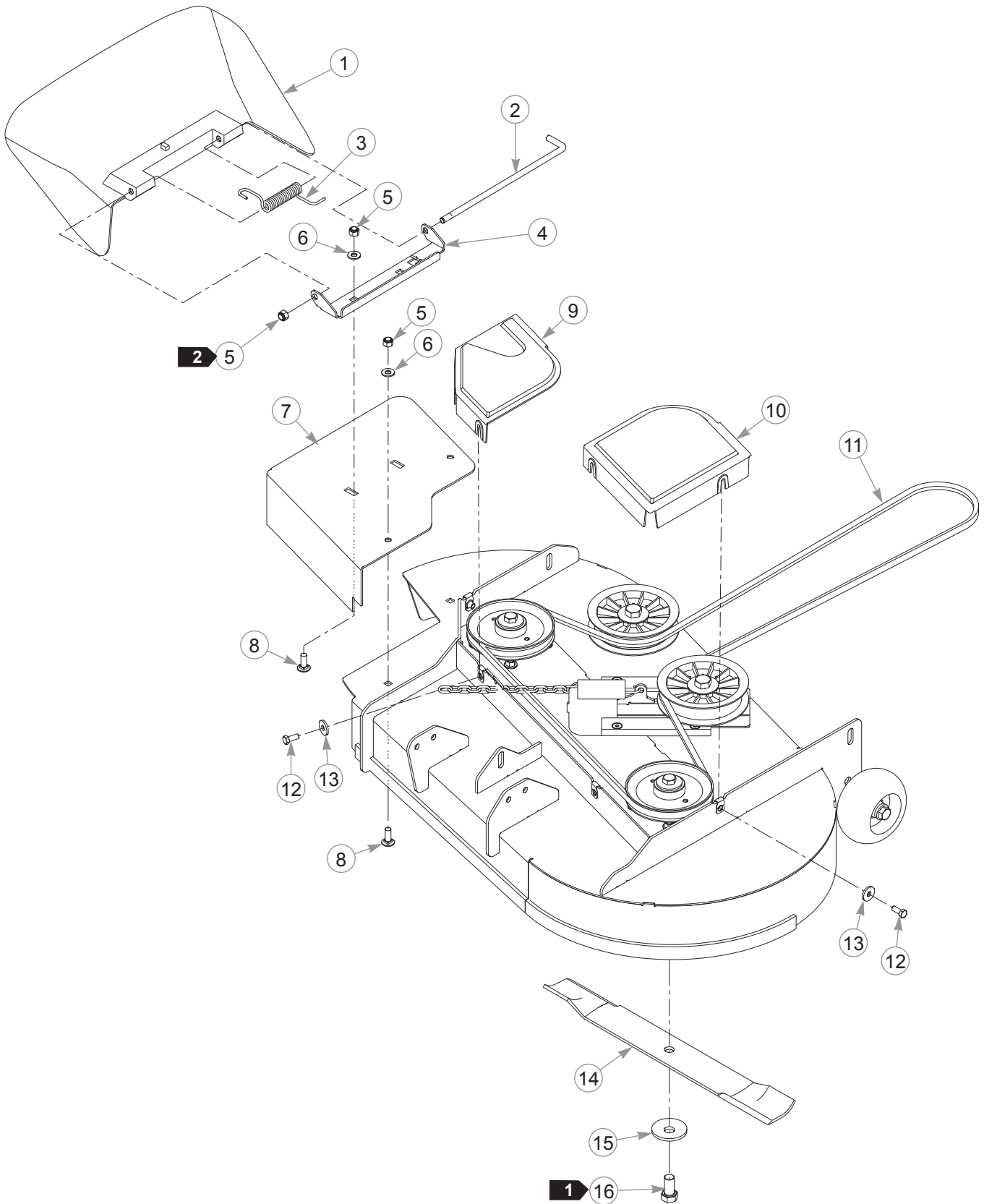
42" Side Discharge Deck Pulleys & Spindles

INDEX NO.	PART NO.	QTY	DESCRIPTION
1	794446	2	CS .625-11 X 1.50 HX G5
2	046821	2	FW .656 X 2.00 X .078 ZNYC
3	797449	3	FW .650 X 1.125 X .18 ZNYC G5
4	784504	2	IDLER PULLEY 5.0" OD
5	109770	1	IDLER SLIDE
6	036384	1	SPRING 1/4 COIL PL 1.23
7	259812	1	CHAIN, 13 LINK
8	784199	4	CS .312-18 X 1.25 FLT SH
9	601619	2	IDLER SLIDE UHMW
1	10 705954	2	CS .500-13 X 1.25 HX G5 ZN
2	781872	2	CS .625-11 X 1.25 HX G5 Z
1	11 798603	2	FW .515 X 1.65 X .125 HD ZY
2	782474	2	CW .631 X 2.25 X .187 PNT
	12 793778	2	DECK SPINDLE PULLEY
	13 054502	8	NT .375-16 HX G5 ZNY
	14 767954	16	FW .379 X .813 X .063
1	15 601804	2	SPINDLE ASSEMBLY
2	783506	2	BLADE SPINDLE
	16 005116	8	CS .375-16 X 1.375 HX G5
	17 045765	2	FW 1.030 X 1.50 X .134 ZN
	18 058776	4	NT .312-18 HX ZY NL
	19 768523	4	FW .343 X .687 X .051/.080H
	20 781567	1	NT .500-13 HX G8 ZY NL
	21 788166	1	PLASTIC WHEEL ASSEMBLY (WITH HARDWARE)
	22 781708	1	CS .500-13 X 4.25 HX G5
	23 767962	2	FW .531 X 1.063 X .175
	24 031997	1	PLASTIC WHEEL
	25 053199	1	NT .500-13 HX JAM ZNYC

NOTES:

1. Used on mowers with serial numbers prior to 11021630 and higher than 11021740. Torque to 67–75 ft-lbs.
2. Used on mowers with serial numbers between 11021630 and 11021740. Torque the spindle bolt to 118 ft-lbs.

42" Side Discharge Deck



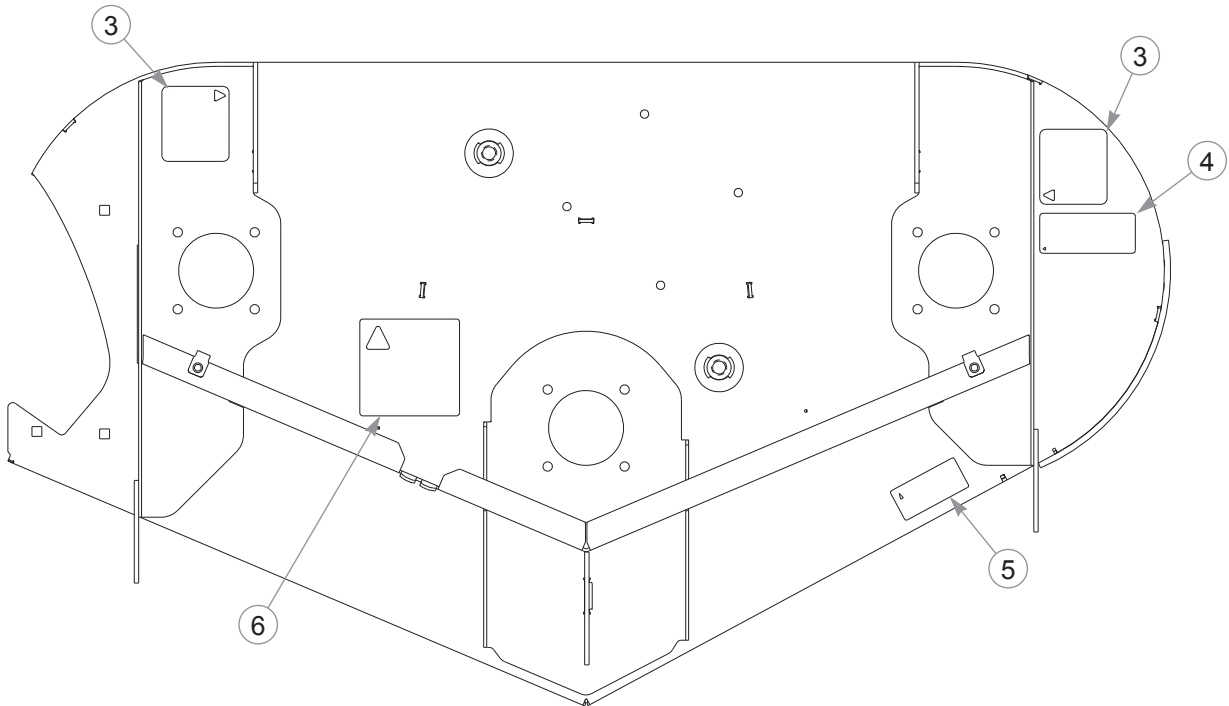
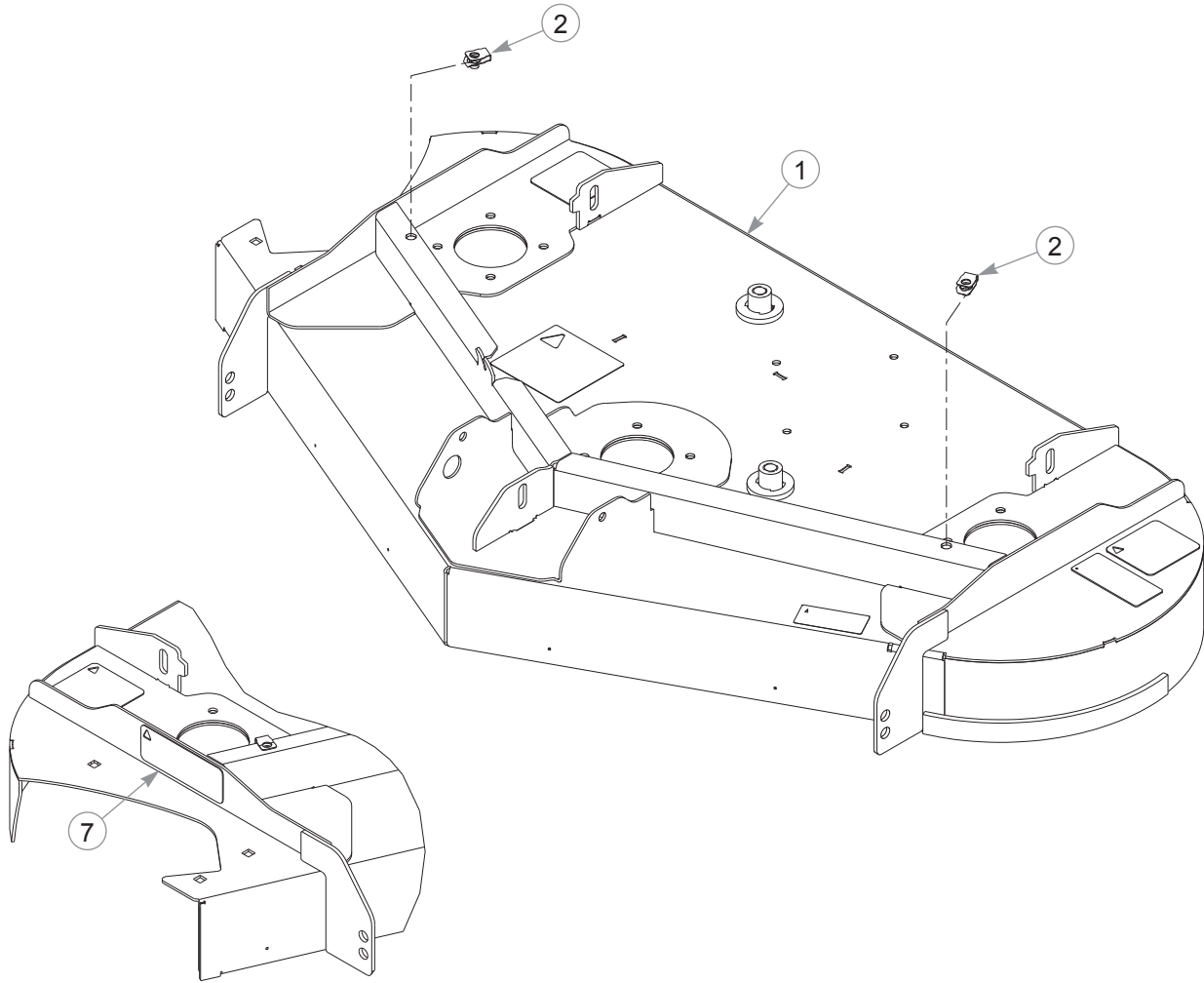
42" Side Discharge Deck

INDEX NO.	PART NO.	QTY	DESCRIPTION
1	601806	1	DISCHARGE CHUTE
2	601843	1	CHUTE PIN
3	601824	1	TORSION SPRING
4	111067	1	CHUTE BRACKET
5	086660	5	NT .375-16 HX ZY NL
6	767954	4	FW .379 X .813 X .063
7	112429	1	DISCHARGE CHUTE PLATE
8	025395	4	CB .375-16 X 1.00 G5 ZNY
9	602751	1	RS PULLEY COVER
10	602752	1	LS PULLEY COVER
11	600726	1	BELT, 114.3" EL
12	034280	4	CS .312-18 X .75 HX G5
13	712927	4	FW .344 X 1.00 X .12 HRD Z
14	793794	2	BLADE, 20.50"-L-F-CW
	793935	2	BLADE, 20.50"-CAT-F-CW
	794230	2	BLADE, 20.50" GAT-F-CW
	794214	2	BLADE, 20.50"-MUL-F-CW
	600901	2	BLADE, F20.50"-L-F-CW
	794685	2	BLADE, F20.50"-H-F-CW
15	782474	2	CW .631 X 2.25 X .187 PNT
16	781872	2	CS .625-11 X 1.25 HX G5 ZN

NOTES:

1. Torque to 118 ft-lbs.
2. Do not torque; the discharge chute must pivot freely.

48" Side Discharge Service Deck

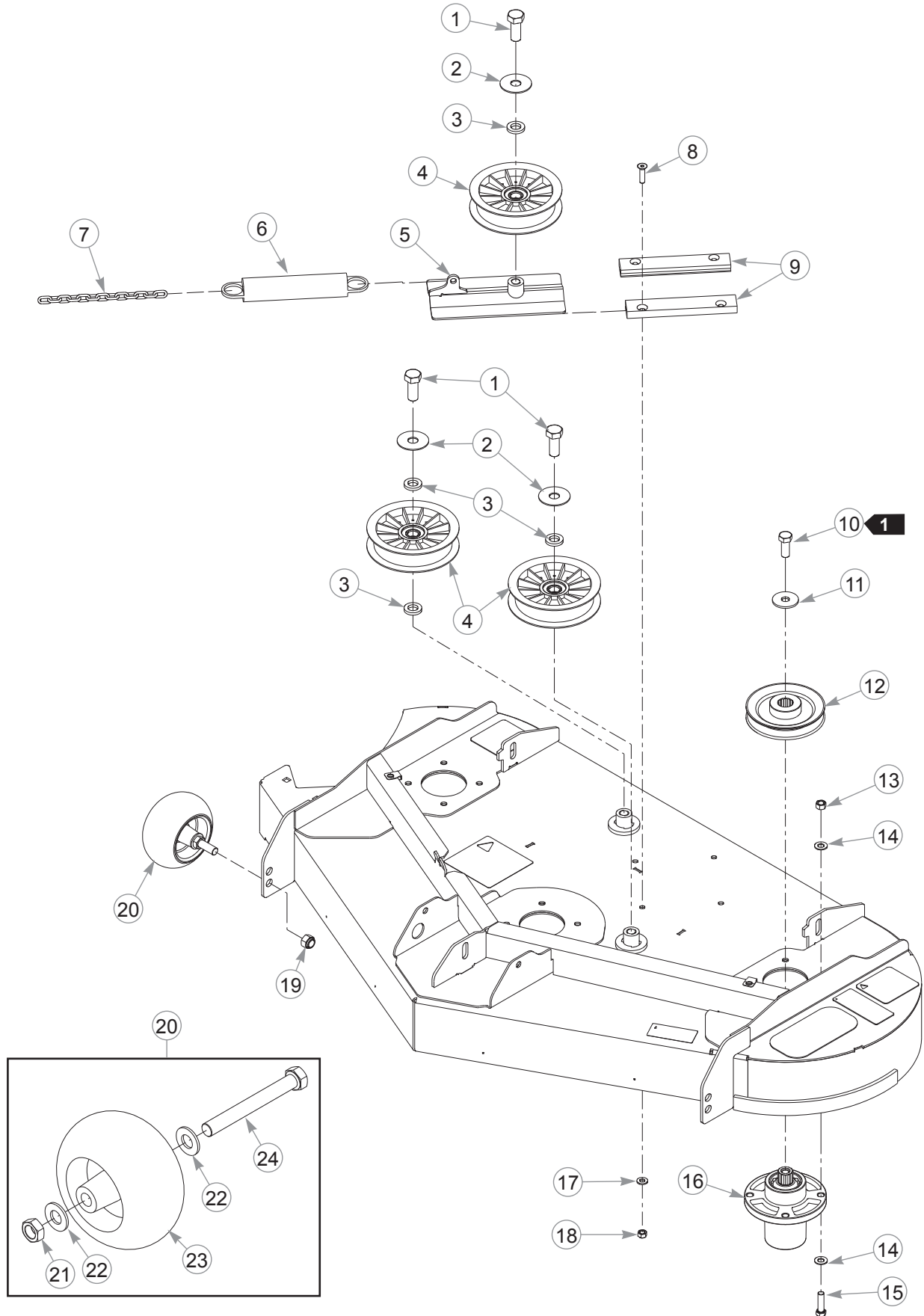


48" Side Discharge Service Deck

INDEX NO.	PART NO.	QTY.	DESCRIPTION
1	550017	1	48" DECK (WITH HARDWARE & DECALS)
2	601069	2	CN .312-18 X .20 MAX THK
3	601837	2	DECK DANGERS DECAL
4	601892	1	THROWN OBJECTS DECAL
5	793976	1	48" DECK ID DECAL
6	781419	1	BELT ROUTING DECAL
7	601624	1	DISCHARGE CHUTE DECAL

NOTES:

48" Side Discharge Deck Pulleys & Spindles



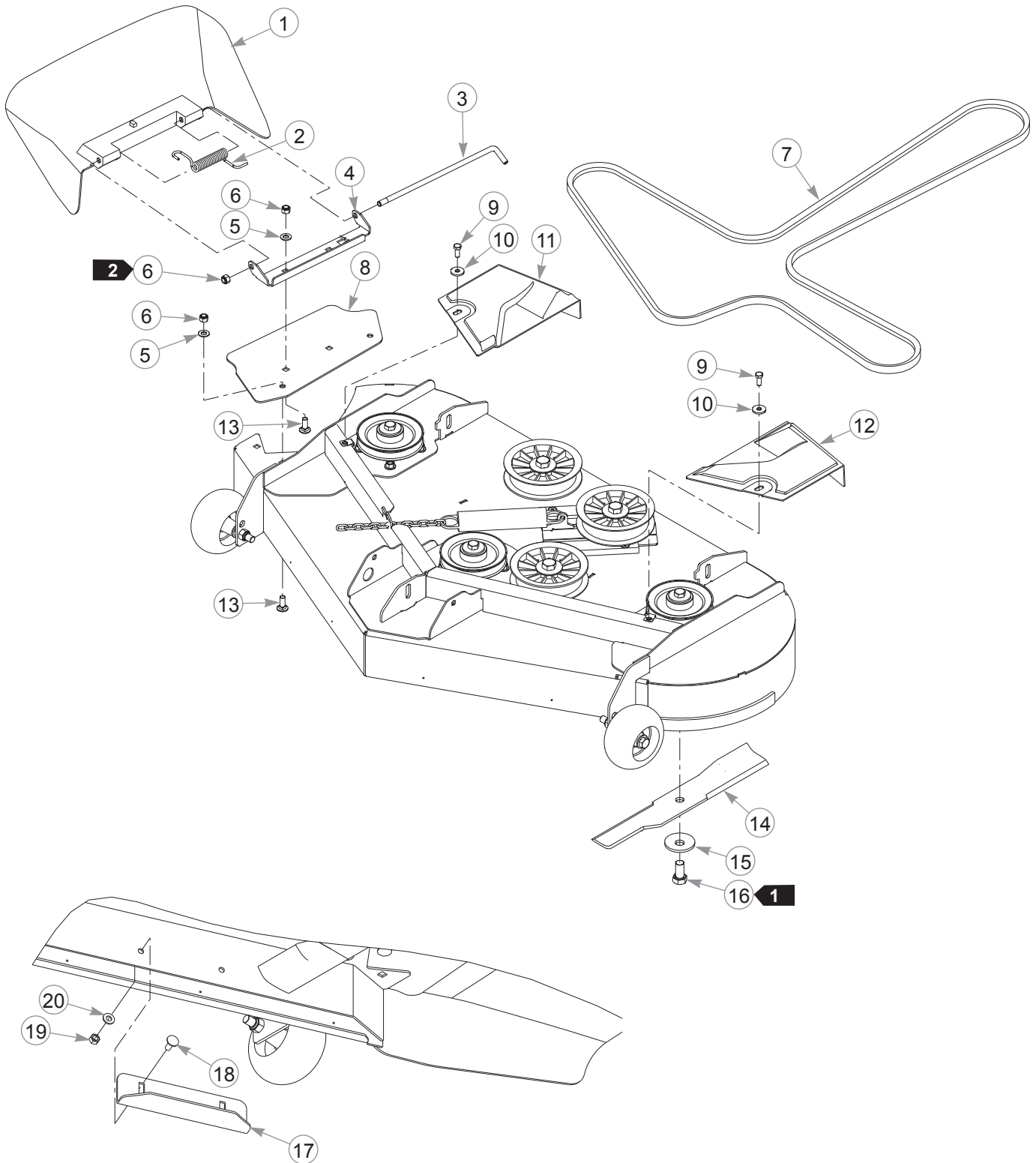
48" Side Discharge Deck Pulleys & Spindles

INDEX NO.	PART NO.	QTY.	DESCRIPTION
1	794446	3	CS .625-11 X 1.50 HX G5
2	046821	3	FW .656 X 2.00 X .078 ZNYC
3	797449	4	FW .650 X 1.125 X .18 ZNYC G5
4	784504	3	IDLER PULLEY 5.0" OD
5	109770	1	IDLER SLIDE
6	781302	1	TENSION SPRING
7	259812	1	CHAIN, 13 LINK
8	784199	4	CS .312-18 X 1.25 FLT SH
9	601619	2	IDLER SLIDE UHMW
10	705954	3	CS .500-13 X 1.25 HX G5 ZN
11	798603	3	FW .515 X 1.65 X .125 HD ZY
12	792689	3	DRIVE PULLEY 5.19" OP
13	054502	12	NT .375-16 HX G5 ZNY
14	767954	24	FW .379 X .813 X .063
15	005116	12	CS .375-16 X 1.375 HX G5
16	601804	3	SPINDLE ASSEMBLY
17	768523	4	FW .343 X .687 X .051/.080H
18	058776	4	NT .312-18 HX ZY NL
19	781567	2	NT .500-13 HX G8 ZY NL
20	788166	2	PLASTIC WHEEL ASSEMBLY (WITH HARDWARE)
21	053199	1	NT .500-13 HX JAM ZNYC
22	767962	2	FW .531 X 1.063 X .175
23	031997	1	PLASTIC WHEEL
24	781708	1	CS .500-13 X 4.25 HX G5

NOTES:

1. Torque to 73 ft-lbs.

48" Side Discharge Deck



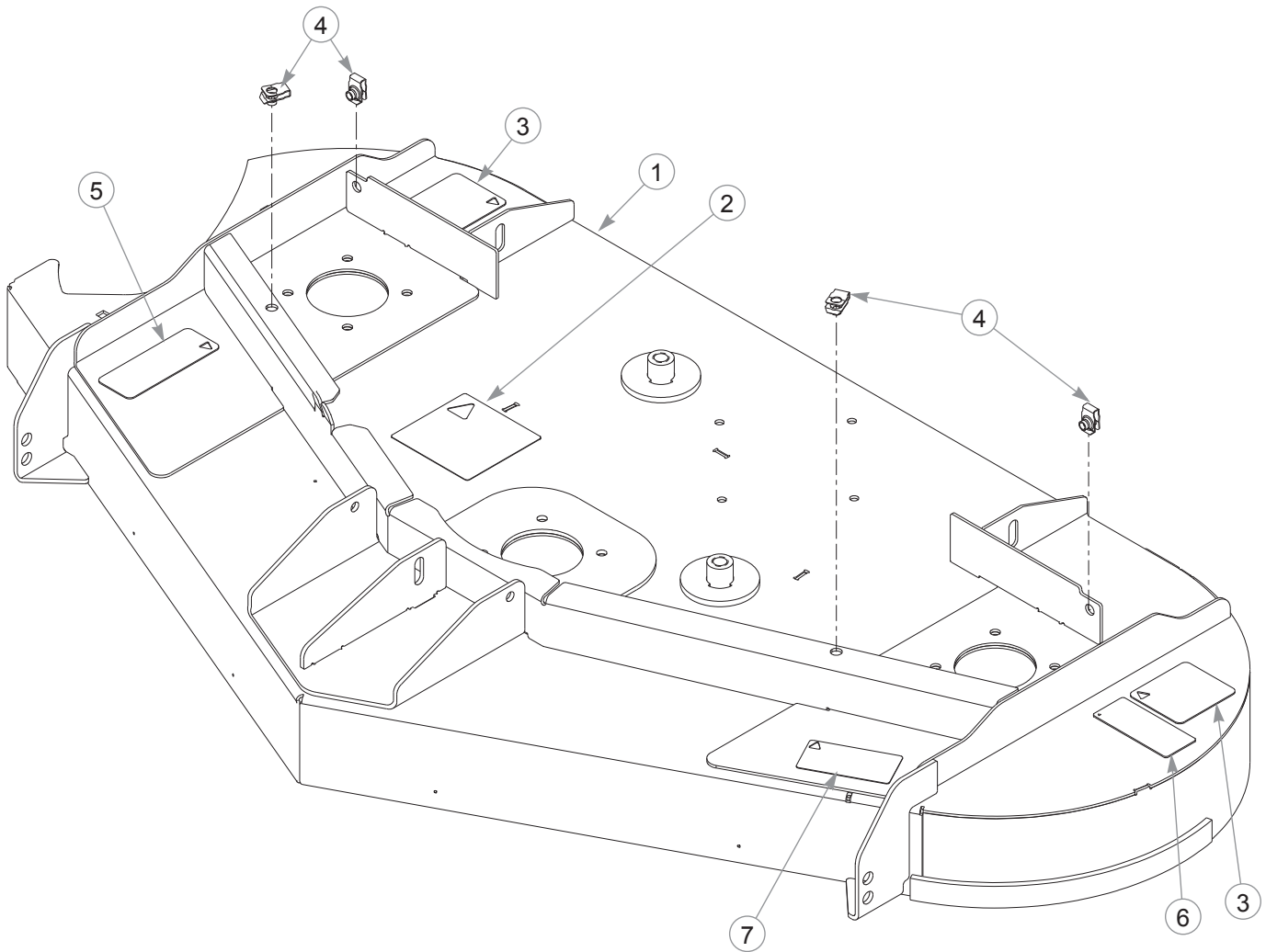
48" Side Discharge Deck

INDEX NO.	PART NO.	QTY.	DESCRIPTION
1	601806	1	DISCHARGE CHUTE
2	601824	1	TORSION SPRING
3	601843	1	CHUTE PIN
4	111067	1	CHUTE BRACKET
5	767954	4	FW .379 X .813 X .063
6	086660	5	NT .375-16 HX ZY NL
7	771634	1	BELT, B 134.50" EL
8	110821	1	CHUTE ADAPTER PLATE
9	034280	2	CS .312-18 X .75 HX G5
10	712927	2	FW .344 X 1.00 X.12 HRD Z
11	601984	1	RS PULLEY COVER
12	601985	1	LS PULLEY COVER
13	025395	4	CB .375-16 X 1.00 G5 ZNY
14	601123	3	BLADE, 16.50"-L-F-CW
	796623	3	BLADE, 16.50"-MUL-F-CW
	796631	3	BLADE, 16.50"-GAT-F-CW
	795757	3	BLADE, F16.50"-H-F-CW
15	782474	3	CW .631 2.25 X .187 PNT
16	781872	3	CS .625-11 X 1.25 HX G5 Z
17	111999	1	BLOWOUT BAFFLE
18	016253	2	CB .312-18 X .75 FUL ZN
19	058776	2	NT .312-18 HX ZY NL
20	768523	2	FW .343 X .687 X .051/.080H

NOTES:

1. Torque to 118 ft-lbs.
2. Do not torque; the discharge chute must pivot freely.

54" Side Discharge Service Deck

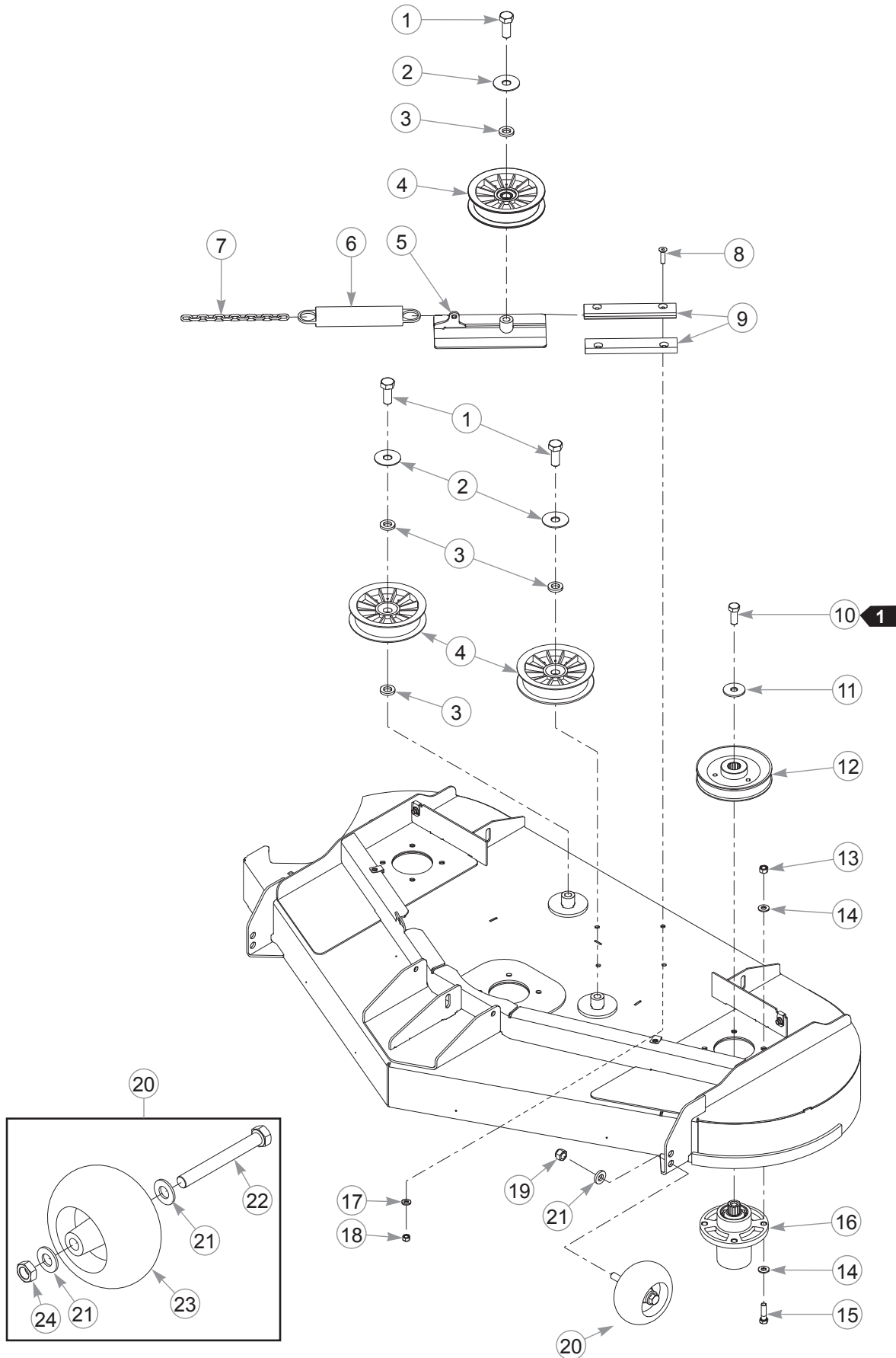


INDEX NO.	PART NO.	QTY	DESCRIPTION
1	550533	1	54" DECK (WITH HARDWARE & DECALS)
2	781419	1	BELT ROUTING DECAL
3	601837	2	DECK DANGERS DECAL
4	601069	4	CN .312-18 X .20 MAX THK
5	601624	1	DISCHARGE CHUTE DECAL
6	601892	1	THROWN OBJECTS DECAL
7	799171	1	54" DECK ID DECAL

NOTES:

This page intentionally left blank.

54" Side Discharge Deck Pulleys & Spindles



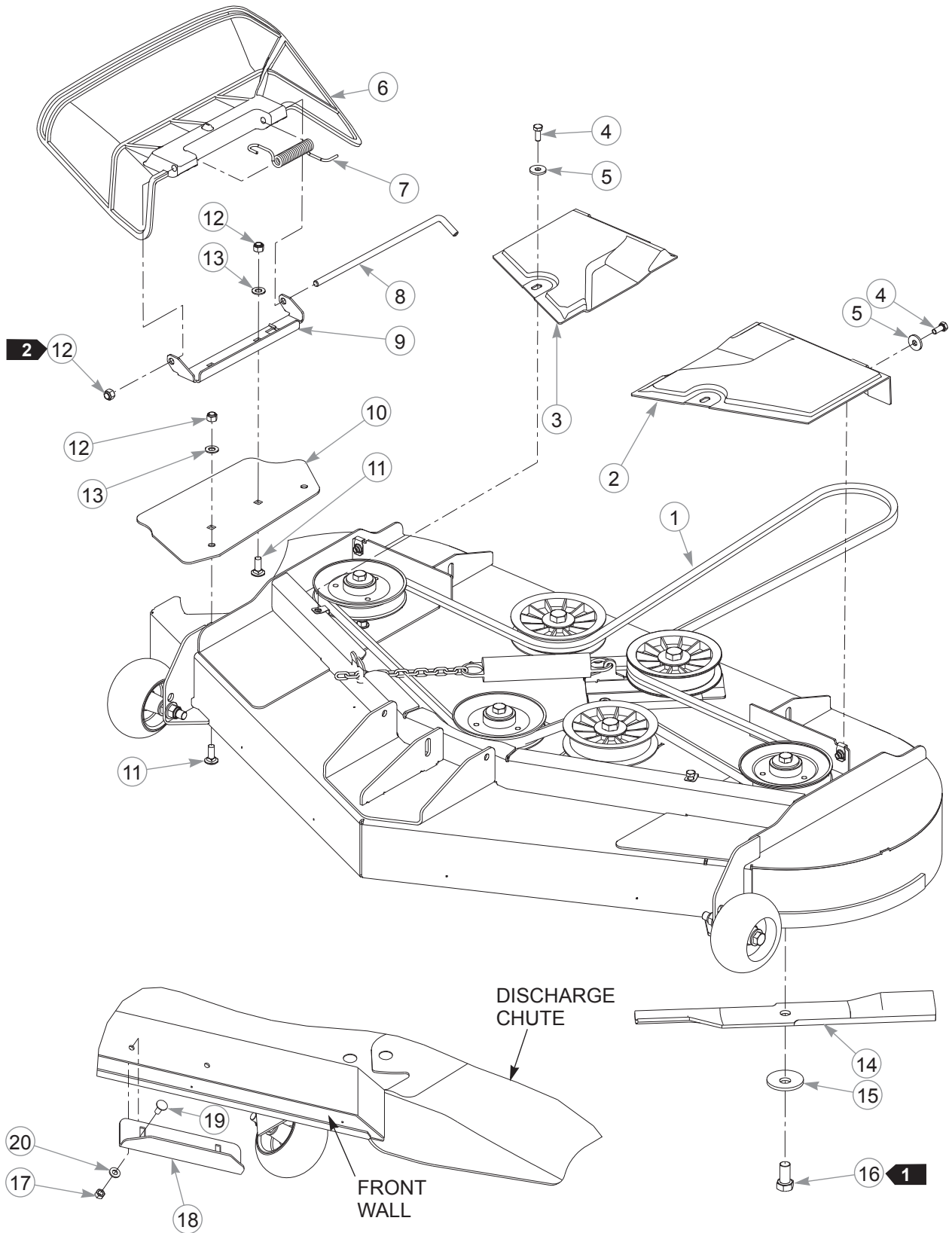
54" Side Discharge Deck Pulleys & Spindles

INDEX NO.	PART NO.	QTY.	DESCRIPTION
1	794446	3	CS .625-11 X 1.50 HX G5
2	046821	3	FW .656 X 2.00 X .078 ZNYC
3	797449	4	FW .650 X 1.125 X .18 ZNYC G5
4	784504	3	PULLEY IDLER 5.00" OD
5	109770	1	IDLER SLIDE
6	781302	1	TENSION SPRING
7	259812	1	CHAIN, 13 LINK
8	784199	4	CS .312-18 X 1.25 FLT SH
9	601619	2	IDLER SLIDE UHMW
10	705954	3	CS .500-13 X 1.25 HX G5 ZN
11	798603	3	FW .515 X 1.65 X .125 HD ZY
12	786889	3	DRIVE PULLEY 5.68 OP
13	054502	12	NT .375-16 HX G5 ZNY
14	767954	24	FW .379 X .813 X .063
15	005116	12	CS .375-16 X 1.375 HX G5
16	601804	3	SPINDLE ASSEMBLY
17	768523	4	FW .343 X .687 X .051/.080H
18	058776	4	NT .312-18 HX ZY NL
19	781567	2	NT .500-13 HX G8 ZY NL
20	788166	2	PLASTIC WHEEL ASSEMBLY (WITH HARDWARE)
21	767962	6	FW .531 X 1.063 X .175
22	781708	1	CS .500-13 X 4.25 HX G5
23	031997	1	PLASTIC WHEEL
24	053199	1	NT .500-13 HX JAM ZNYC

NOTES:

1. Torque to 67–75 ft-lbs.

54" Side Discharge Deck



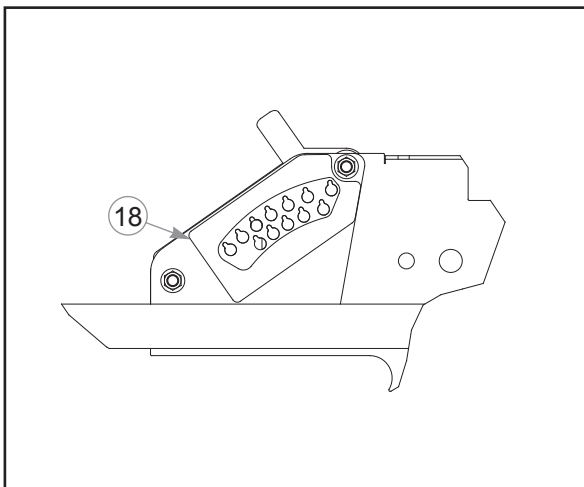
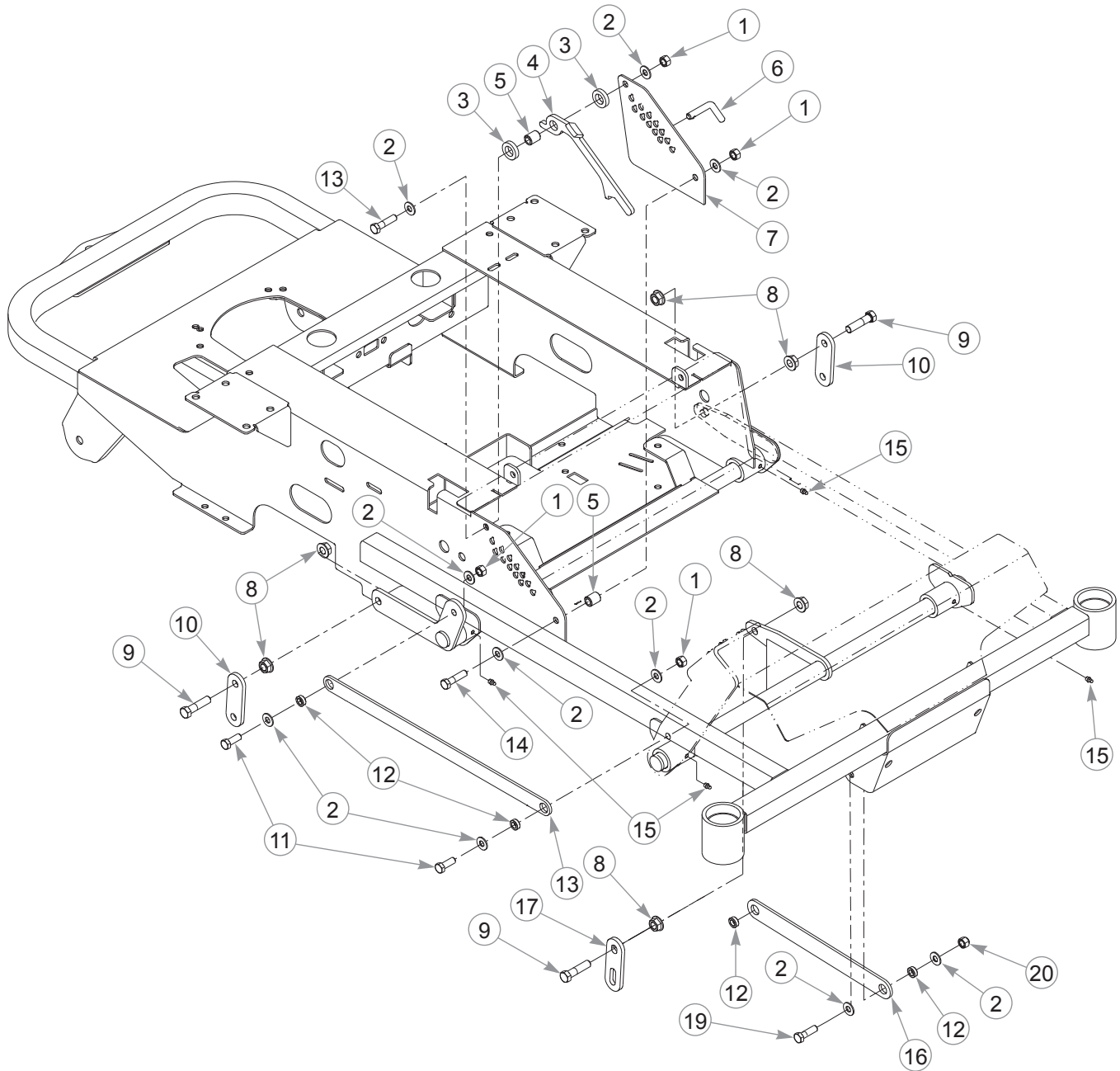
54" Side Discharge Deck

INDEX NO.	PART NO.	QTY.	DESCRIPTION
1	777185	1	BELT, B 145.5" EL
2	602749	1	LS PULLEY COVER
3	602748	1	RS PULLEY COVER
4	034280	4	CS .312-18 X .75 HX G5
5	712927	4	FW .344 X 1.00 X .12 HRD Z
6	601806	1	DISCHARGE CHUTE
7	601824	1	TORSION SPRING
8	601843	1	CHUTE PIN
9	111067	1	CHUTE BRACKET
10	110821	1	CHUTE ADAPTER PLATE
11	025395	4	CB .375-16 X 1.00 G5 ZNY
12	086660	5	NT .375-16 HX ZY NL
13	767954	4	FW .379 X .813 X .063
14	601124	3	BLADE, 18.50"-L-F-CW
	797696	3	BLADE, F18.50"-H-F-CW
	797704	3	BLADE, 18.50"-MUL-F-CW
	797712	3	BLADE, 18.50"-GAT-F-CW
15	782474	3	CW .631 2.25 X .187 PNT
16	781872	3	CS .625-11 X 1.25 HX G5 Z
17	058776	2	NT .312-18 HX ZY NL
18	111999	1	BLOWOUT BAFFLE
19	016253	2	CB .312-18 X .75 FUL ZN
20	768523	2	FW .343 X .687 X .051/.080H

NOTES:

1. Torque to 118 ft-lbs.
2. Do not torque; the discharge chute must pivot freely.

Deck Lift

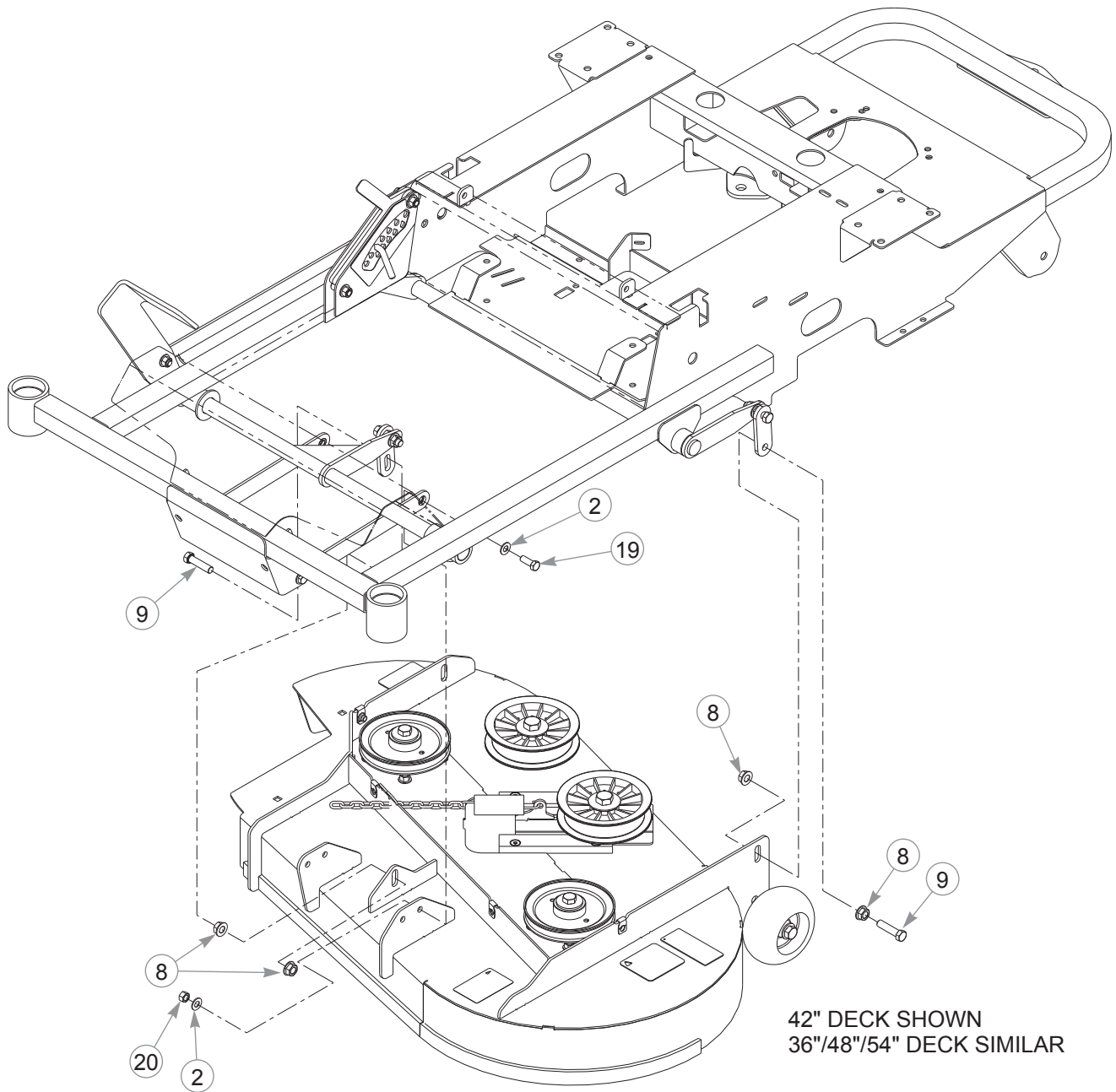


Deck Lift

INDEX NO.	PART NO.	QTY.	DESCRIPTION
1	054502	4	NT .375-16 HX G5 ZNY
2	767954	16	FW .379 X .813 X .063
3	769257	2	FW .656 X 1.25 X .250 ZNY
4	110829	1	DECK HEIGHT LOCK HANDLE
5	348862	2	STEERLEVER BUSHING
6	601963	1	DECK HEIGHT STOP PIN
7	550216	1	LS DECK ADJUST PLATE (WITH DECAL)
8	704643	12	NT .437-14 HX FLG ZN
9	055749	6	CS .437-14 X 1.75 HX G5
10	110929	2	DECK LIFT LINK, NON-SLOT
11	036244	2	CS .375-16 X 1.00 HX G5
12	601839	6	PIVOT SPACER BUSHING
13	110884	1	LIFT PEDAL LINK
14	080655	2	CS .375-16 X 1.50 HX G5
15	015495	4	GREASE FITTING STRAIGHT
16	110879	2	PULLER STRAP
17	110880	1	DECK LIFT LINK
18	601814	1	DECK HEIGHT DECAL
19	052860	4	CS .375-16 X 1.25 HX G5 ZN
20	086660	4	NT .375-16 HX NL G5

NOTES:

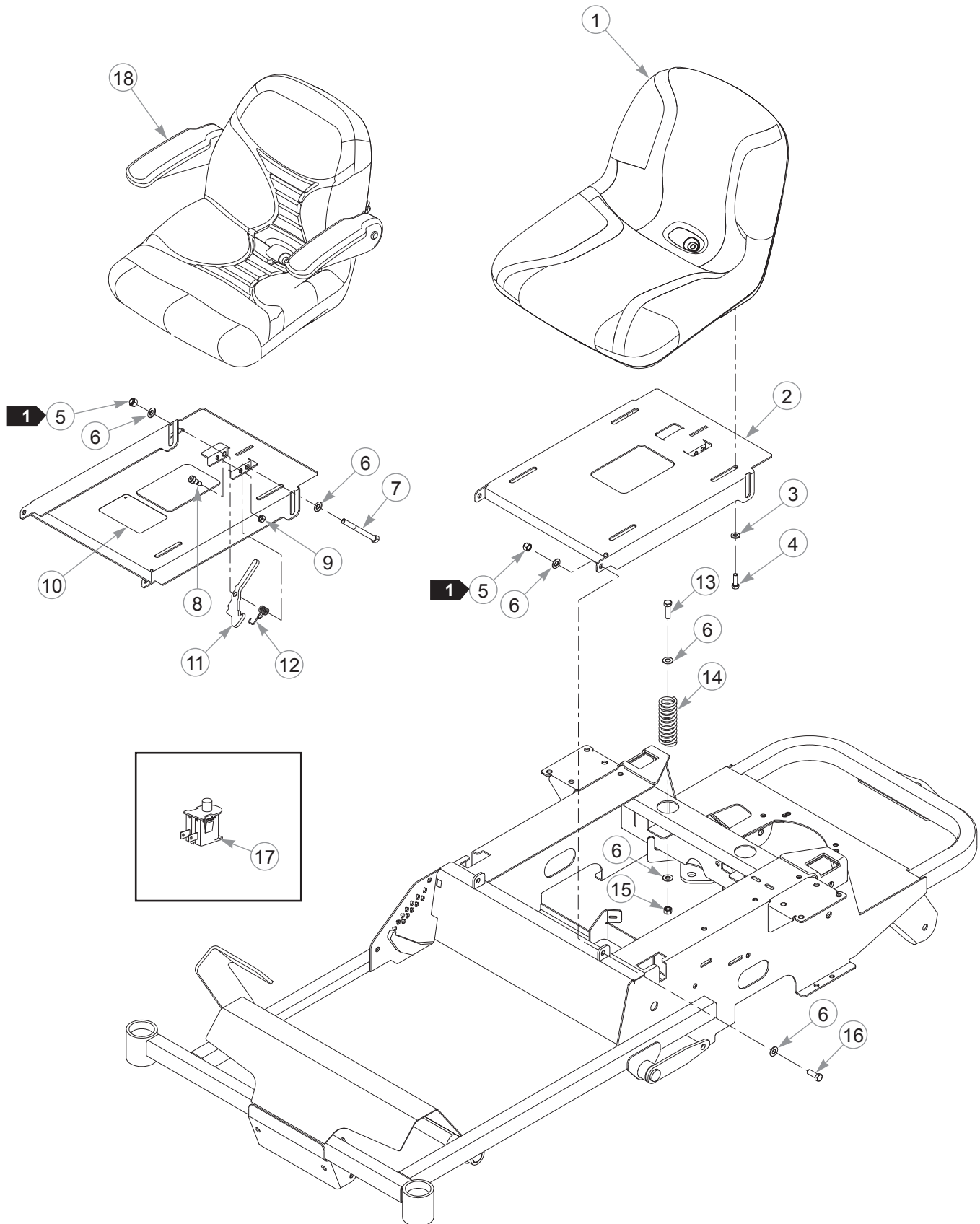
Deck Mounting Hardware



Section 8

Seat 8-2

Seat



Seat

INDEX NO.	PART NO.	QTY.	DESCRIPTION
1	601807	1	STANDARD SEAT
2	550853	1	SEAT PAN (WITH DECALS)
3	768523	4	FW .343 X .687 X .051/.080H
4	079186	4	CS .312-18 X 1.25 HX G5
5	086660	3	NT .375-16 HXZY NL
6	767954	10	FW .379 X .813 X .063
7	005108	1	CS .375-16 X 3.50 HX G5 Z
8	754358	1	SB .375 X .375 SH .312-18
9	034272	1	NT .312-18 HX G5
10	601815	1	BATTERY WARNINGS DECAL
11	603101	1	SEAT LATCH
12	783910	1	TORSION SPRING
13	052860	2	CS .375-16 X 1.25 HX G5 ZN
14	793851	2	COMPRESSION SPRING 1.25 X 4.00 X .188
15	054502	2	NT .375-16 HX GRD 5 ZNY
16	036244	2	CS .375-16 X 1.000 HX G5
17	793315	1	SEAT SWITCH
18	792226	1	STANDARD SEAT (WITH ARMRESTS)

NOTES:

1. Do not torque; the seat pan & latch must pivot freely.

