

# ***Hustler Super Z XR7 CE Parts Manual***



**HUSTLER®**

•••••

*Hustler Turf Equipment*

••••

*P.O. Box 7000*

•••

*Hesston, Kansas*

•

*67062-2097*



---

# Table of Contents

## Chapter 1

General Information . . . . .	1-1
-------------------------------	-----

## Chapter 2 Contents

Frame Rivet Nut Installation . . . . .	2-2
Seat Support Rivet Nut Installation . . . . .	2-3
Footrest Assembly . . . . .	2-4

## Chapter 3 Contents

Hydraulic System Installation . . . . .	3-2
---	-----

## Chapter 4 Contents

Battery Installation. . . . .	4-2
Deck Lift Assembly . . . . .	4-4
Steering and Park Brake Assembly . . . . .	4-6
Pump Belt and Pulleys Installation . . . . .	4-10

## Chapter 5 Contents

Kohler 27 HP Engine Installation . . . . .	5-2
Fuel System . . . . .	5-6
Fuel System . . . . .	5-8
Instrument Panel Assembly . . . . .	5-10
Electrical Schematic - Common Air Cooled (799320). . . . .	5-12

## Chapter 6 Contents

Front Wheel Assembly . . . . .	6-2
Front Wheel Breakdown-747782 . . . . .	6-4
Optional Semi-Pneumatic Tire/Wheel-789537 . . . . .	6-5
Drive Wheel Assembly . . . . .	6-6
Anti-Rollover Wheel Assembly . . . . .	6-7

## Chapter 7 Contents

60" Side Discharge Deck Assembly . . . . .	7-2
60" Side Discharge Deck Pulley Assembly . . . . .	7-4
72" Rear Discharge Deck Assembly . . . . .	7-6
72" Rear Discharge Deck Pulley Assembly . . . . .	7-8
60" Rear Discharge Deck Assembly . . . . .	7-10
60" Rear Discharge Deck Pulley Assembly . . . . .	7-12
Spindle Assembly-796235 . . . . .	7-14
Spindle Assembly-796680 . . . . .	7-15

## Chapter 8 Contents

Deck Installation-Side Discharge . . . . .	8-2
Deck Installation-Rear Discharge . . . . .	8-4
60" Side Discharge Deck Belt Routing and Tensioning . . . . .	8-6
72" & 60" Rear Discharge Deck Belt Routing and Tensioning . . . . .	8-7
Seat Installation. . . . .	8-8

## Chapter 9 Contents

Tractor Decals. . . . .	9-2
-------------------------	-----

---

60" Side Discharge Deck Decals . . . . .	9-4
72" and 60" Rear Discharge Deck Decals . . . . .	9-5
Index . . . . .	i-1

# Chapter 1

## **General Information**

This Manual covers Hustler XR7 Super Z models: **927467CE, 927624CE, 927988CE.**

---

## **Frequently Ordered Parts**

<b>PART NO.</b>	<b>DESCRIPTION</b>
027912	Lubrizol 7 oz. Bottle
027920	Lubrizol 10 oz. Bottle
783936	Hydraulic Oil Filter
781443	Pump Drive Belt
794685	Blade, F20.50"-H-F-CW (60" Side Discharge Deck)
793794	Blade, 20.50"-L-F-CW (60" Rear Discharge Deck)
795633	Blade, F20.50"-L-F-CCW (60" Rear Discharge Deck)
796839	Blade, F23.86"-L-F-CW (72" Rear Discharge Deck)
796508	Blade, F23.86"-L-F-CCW (72" Rear Discharge Deck)
797720	Belt, B-Section (60" Side Discharge Deck)
795781	60" Rear Discharge Deck Belt
797167	72" Rear Discharge Deck Belt
068478	Fuel Filter
785261	Main Air Filter Element
785279	Safety Air Filter Element
747303	Kohler Engine Oil Filter

---

## **Service Literature**

<b>PART NO.</b>	<b>DESCRIPTION</b>
600876	Owner's Manual
742684	Kohler Engine Owner's Manual

---

*Note: When ordering parts, you must use the part number as shown for each part, not the index number. Always give the model and serial number to your parts and service representative.*

*Note: Items sold in bulk such as seals and hoses are sold by the foot.*

---

## **Using this manual**

Illustrations used were current at the time of printing, but subsequent production changes may cause your machine to vary slightly in detail. Excel Industries, Inc. reserves the right to redesign and change the machine as deemed necessary, without notification. If a change has been made to your machine which is not reflected in this parts manual, see your Hustler dealer for current information and parts.

## **Hardware Description Codes & Abbreviations**

The following codes are used throughout this parts manual. Refer to this list when ordering parts.

<b>ABBREVIATION</b>	<b>DESCRIPTION</b>
CB	Carriage Bolt
CE	Clevis Pin

<b>ABBREVIATION</b>	<b>DESCRIPTION</b>
CP	Cotter Pin
CS	Cap Screw
CW	Cup Washer
FDRW	Fender Washer
FW	Flat Washer
HX	Hex Head
LW	Lock Washer
MB	Machine Bushing
MS	Machine Screw
NT	Nut
SC	Self Tapping Cap Screw
SH	Socket Head
SB	Shoulder Bolt
SS	Set Screw
OD	Outside Diameter
ID	Inside Diameter

---

### **Standard Torques**

The following chart lists the standard torque values for the threaded fasteners found in this manual. Torque all cap screws, nuts and set screws to these values unless a different torque is shown in the Notes section next to the fastener.

<b>SIZE</b>	<b>FT-LBS</b>	<b>NM</b>	<b>SIZE</b>	<b>FT-LBS</b>	<b>NM</b>
.250	8.2	11.1	M3	1	1.3
.312	17	23	M4	2.2	3
.375	30	40	M5	4.5	6.1
.438	48	65	M6	7.7	10.4
.500	73	99	M8	18.5	25
.562	105	143	M10	37	50
.625	145	200	M12	64	87
.750	260	350	M14	80	108.5
.875	420	565	M16	160	215
1.00	625	850	M20	320	435
			M24	555	750

**NOTE:**

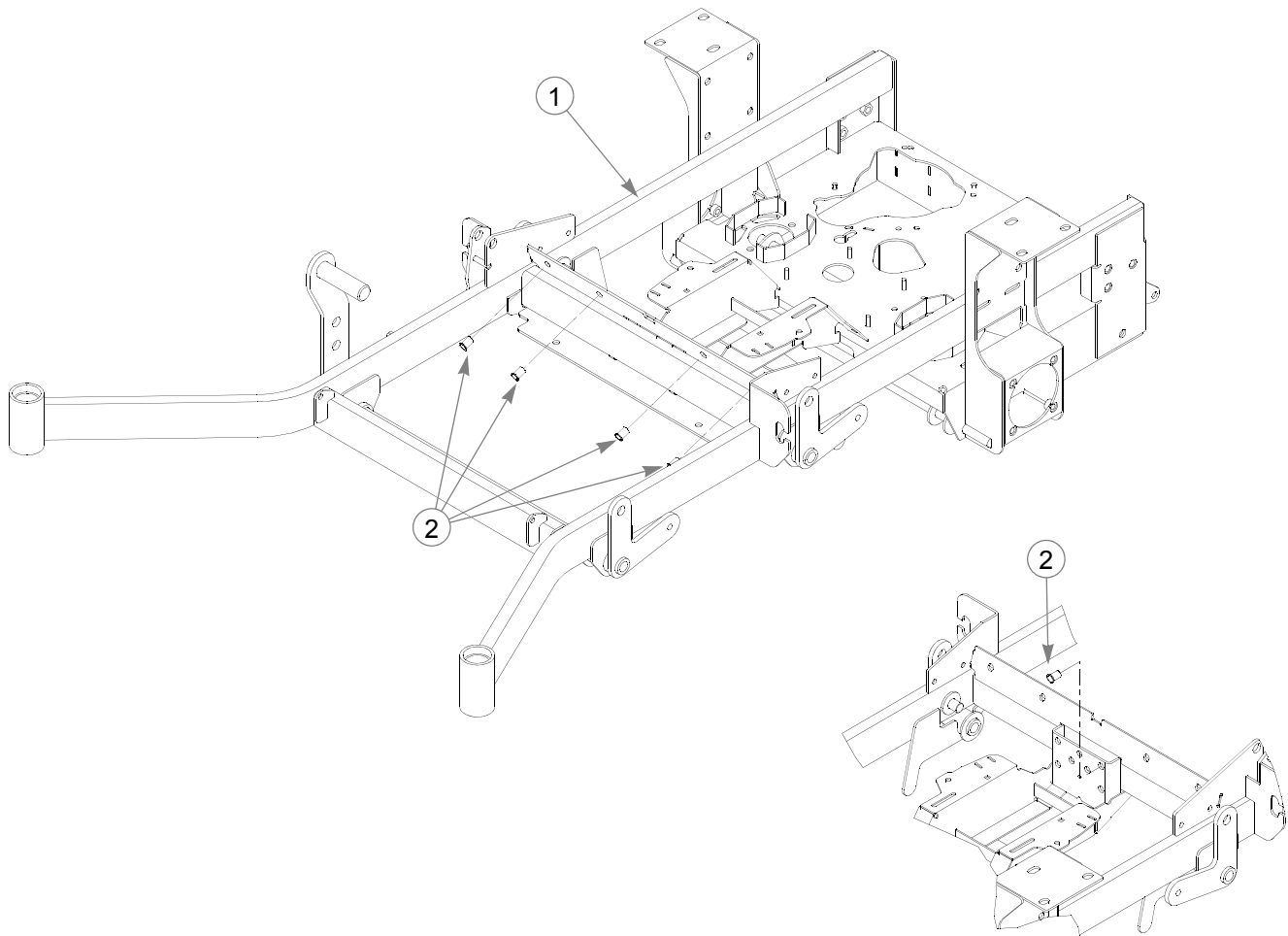
Loctite® 592 to be used on all pipe threads.  
Lubricate all grease zerks.

---

## Chapter 2 Contents

Frame Rivet Nut Installation . . . . .	2-2
Seat Support Rivet Nut Installation . . . . .	2-3
Footrest Assembly . . . . .	2-4

# **Frame Rivet Nut Installation**



---

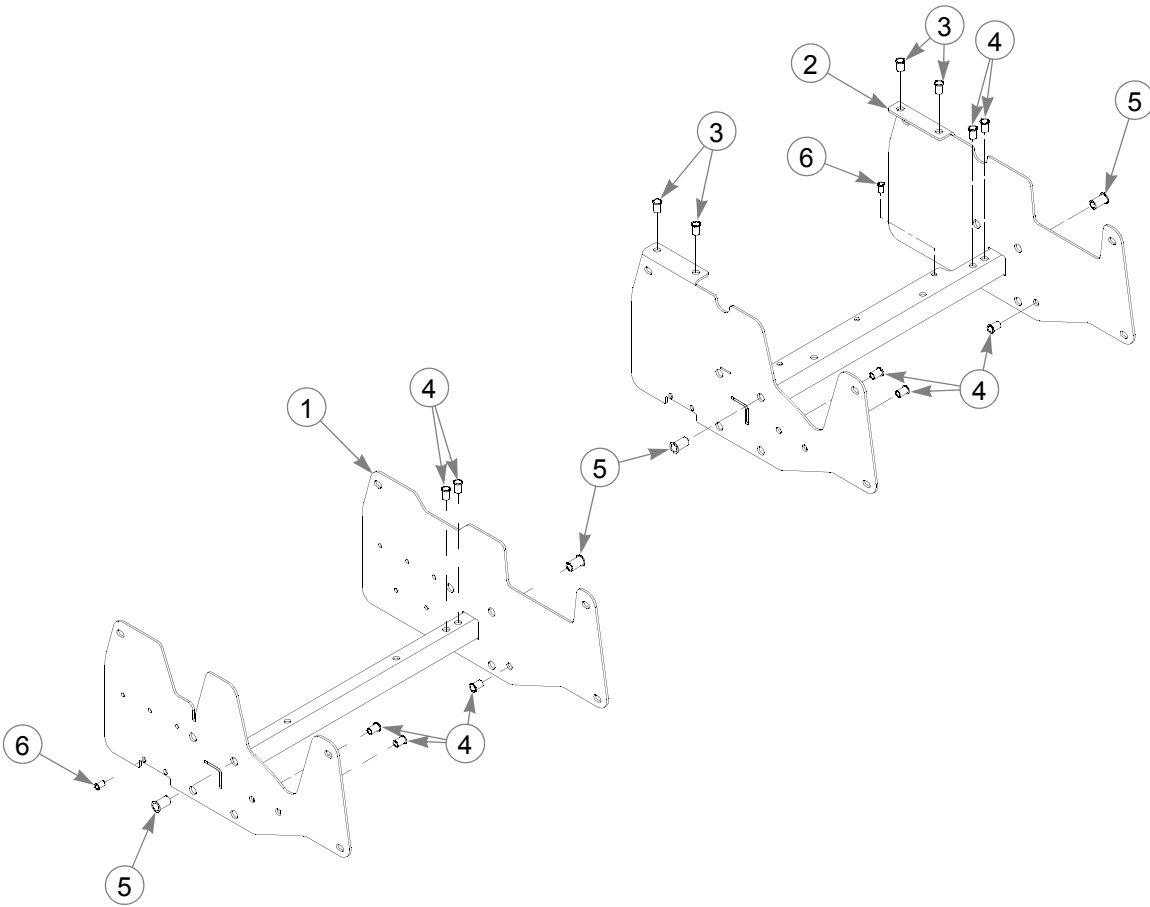
INDEX NO.	SERVICE PART NO.	MFG. PART NO.	QTY.	DESCRIPTION
1	547992	103531	1	TRACTOR FRAME (54")
	547760	352278	1	TRACTOR FRAME (60")
	547752	103952	1	TRACTOR FRAME (66")
	547984	107616	1	TRACTOR FRAME (72")
	548016	100412	1	60" RD TRACTOR FRAME
	548024	101808	1	72" RD TRACTOR FRAME
	2	N/A	808493	10

---

## **NOTES:**



# Seat Support Rivet Nut Installation

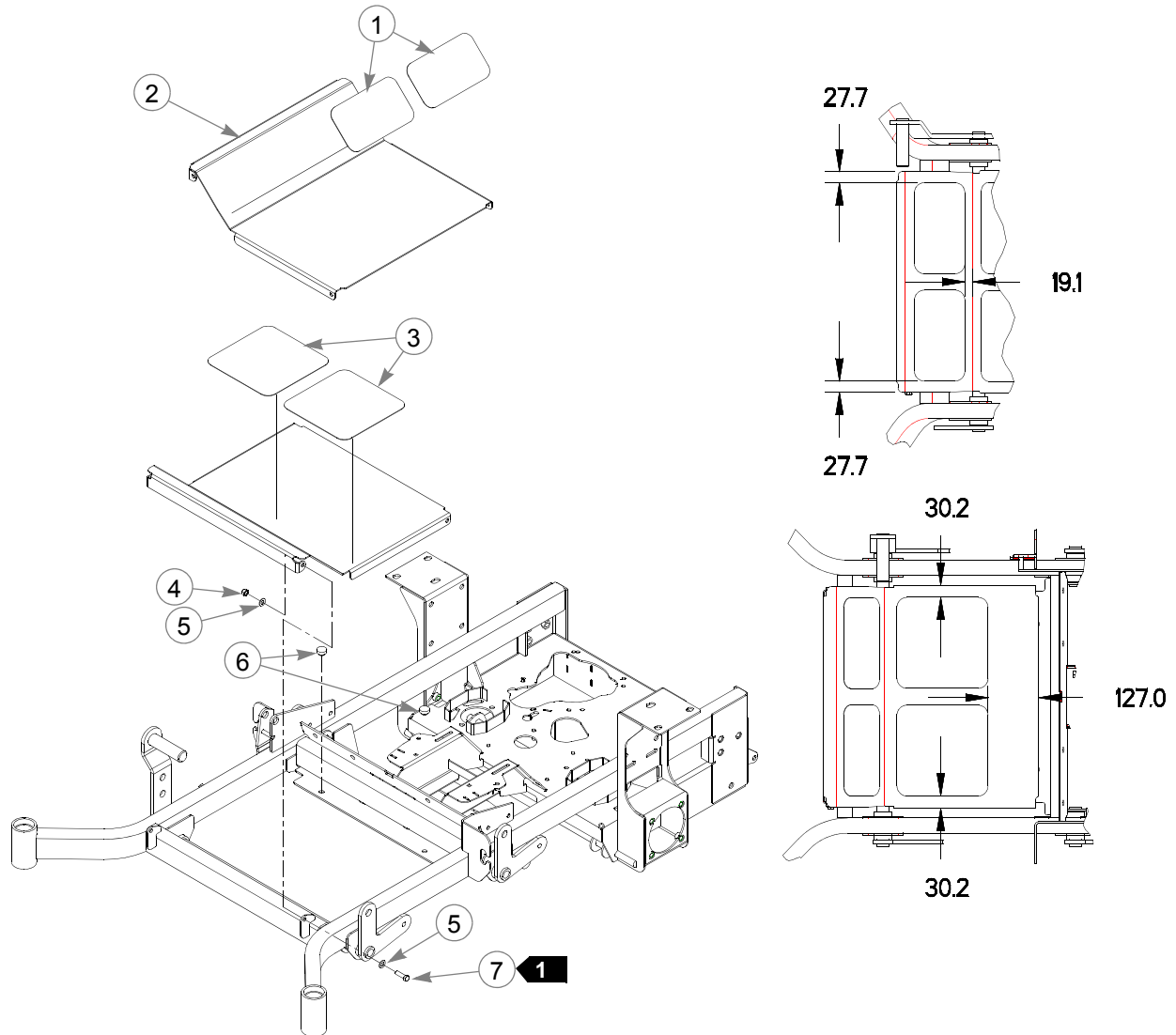


INDEX NO.	SERVICE PART NO.	MFG. PART NO.	QTY.	DESCRIPTION
<b>1</b>	547950	106732	1	XR7 MMZ SEAT SUPPORT
<b>2</b>	547968	348615	1	26HP KAWASAKI SEAT SUPPORT
3	N/A	808485	4	5/16-18 THREAD RIVET NUT (KAWASAKI LIQUID COOLED ONLY)
4	N/A	808493	5	3/8-16 THREAD RIVET NUT (FOR AIR COOLED)
4	N/A	808493	5	3/8-16 THREAD RIVET NUT (FOR LIQUID COOLED)
5	N/A	600961	8	1/2-13 THREAD RIVET NUT (PER EACH SUPPORT)
6	N/A	808477	2	1/4-20 THREAD RIVET NUT (KAWASAKI AIR COOLED ONLY)
6	N/A	808477	3	1/4-20 THREAD RIVET NUT (KAWASAKI LIQUID COOLED ONLY)

### NOTES:

1. Used on all mowers with air cooled engines (service part includes rivet nuts).
2. Used only on mowers with liquid cooled engines (service part includes rivet nuts).

# Footrest Assembly



INDEX NO.	SERVICE PART NO.	MFG. PART NO.	QTY	DESCRIPTION
1	359547	359547	2	STEP TREAD
2	395533	395533	1	FLOOR
3	305615	305615	2	PLATFORM STEP TREAD
4	086660	086660	2	NT .375-16 HX LK NY
5	767954	767954	4	FW .406 X .812 X .060 SAE HD ZN
6	781880	781880	2	RUBBER BUMPER
7	052860	052860	2	CS .375-16 X 1.250 HX G5 ZN

### NOTES:

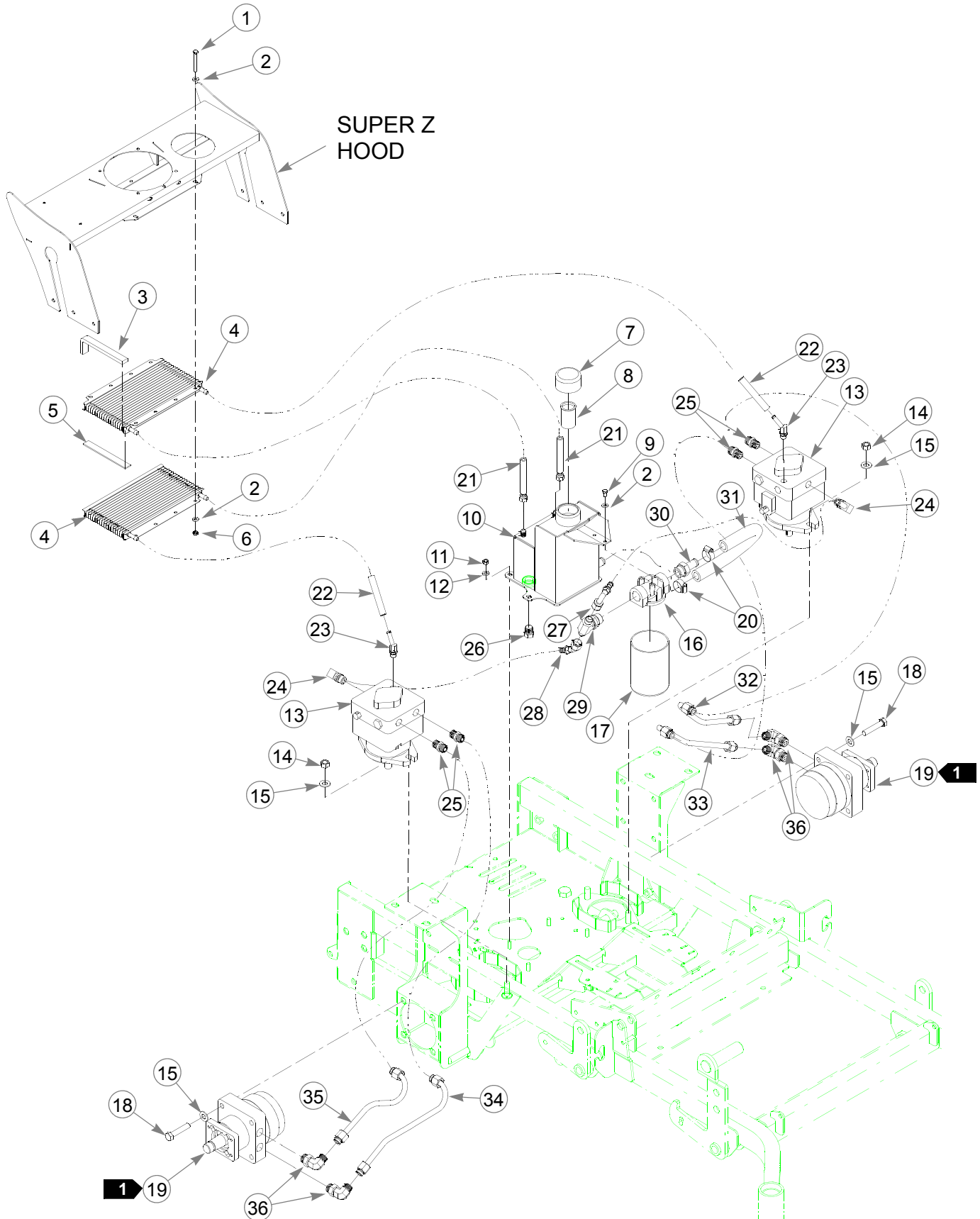
1. Do not tighten, Item 2 (395533 Floor) must be able to pivot on these bolts.

---

## Chapter 3 Contents

Hydraulic System Installation. . . . .	3-2
--	-----

# Hydraulic System Installation



---

# **Hydraulic System Installation**

INDEX NO.	SERVICE PART NO.	MFG. PART NO.	QTY	DESCRIPTION
1	705608	705608	4	CS .250-20 X 2.25 HX G5 ZNYC
2	768515	768515	10	FW .281 X .625 X .051/.080 HD ZNYC
3	713198	713198	2	SEAL 3/8 X 3/4 X 7.25" LONG
4	783704	783704	2	OIL COOLER
5	033035	033035	2	WEATHERSTRIP 1/8 X 3/4 X 5.88" LONG
6	068551	068551	4	NT .250-20 HX NL ZNYC
7	032763	032763	1	BREATHER CAP
8	032771	032771	1	STRAINER
9	055947	055947	2	CS .250-20 X .50 HX G5 ZNYC
10	357616	357616	1	SUPER Z RESERVOIR
11	034272	034272	4	NT .312-18 HX G5 ZNYC
12	768523	768523	4	FW .343 X .687 X .051/.080 HD ZNYC
13	788042	788042	2	PUMP, HYDRO-GEAR BDP-21L-408
14	008193	008193	4	NT .500-13 HX G5 ZNYC
15	767962	767962	12	FW .531 X 1.063 X .090 SAE HD ZN
16	783928	783928	1	ZAF SERIES FILTER HEAD
17	783936	783936	1	FILTER ELEMENT
18	008573	008573	8	CS .500-13 X 2.50 HX G5 ZNYC
19	782383	782383	2	WHITE MOTOR CE782383-18
20	700484	700484	2	HOSE CLAMP
21	784132	N/A	2	RETURN HOSE ASSY, #6 17.375" LONG
22	784124	N/A	2	RETURN HOSE, #6 16.5" LONG
23	784108	N/A	2	FITTING, #6 BEADED TUBE-ORB 45°
24	784082	N/A	2	FITTING, #8 BEADED TUBE-ORB 90°
25	781534	N/A	4	FITTING, STR-8MORB/-8MSL
26	781658	N/A	1	HEX PLUG FITTING, STR-8MORB
27	784025	N/A	1	SUCTION HOSE ASSY, FILTER-PUMP
28	783993	N/A	1	SUCTION HOSE, TANK-FILTER
29	788174	N/A	1	FITTING, T -8MJIC/8MJIC
30	783985	N/A	1	FITTING, 10 FX05-S
31	784116	N/A	1	SUCTION HOSE, #12 16" LONG
32	782870	N/A	1	TUBE, HYDRAULIC LINE
33	782880	N/A	1	TUBE, HYDRAULIC LINE
34	782458	N/A	1	TUBE, HYDRAULIC LINE
35	782441	N/A	1	TUBE, HYDRAULIC LINE
36	781526	N/A	4	FITTING, 90-10MORB/-8MSL
37	N/A	783720	1	HYDRO KIT (INCLUDES ITEMS 21-36)

---

## **NOTES:**

1. Parker Wheel Motor Kits are available as an option instead of White Wheel Motors for repair. Please reference "Service Bulletin 513 – Parker Wheel Motor Kits" for more information.
2. Add 3.5 oz.Lubrizon (027912) to new system or when hydraulic oil is changed (see Owner's Manual).

- 
3. Hydraulic system capacity is 5 US quarts. Fill reservoir to within 1" of top of Item 8 (032771 Strainer).

#### HYDRAULIC SYSTEM CHARGING PROCEDURE

1. Set handles in the neutral position.
2. Start engine at idle.
3. Let run for a minimum of 30 seconds.
4. Stroke handles to forward position.
5. If motors do not turn in 15 seconds return handles to neutral and repeat step 3 and 4 (one time).
6. If motors do not turn after second attempt, shut off the engine and check for oil at the pump.
7. Increase throttle to half speed and work handles through forward and reverse position until the motor operates smoothly throughout the entire speed range.

**Note:**

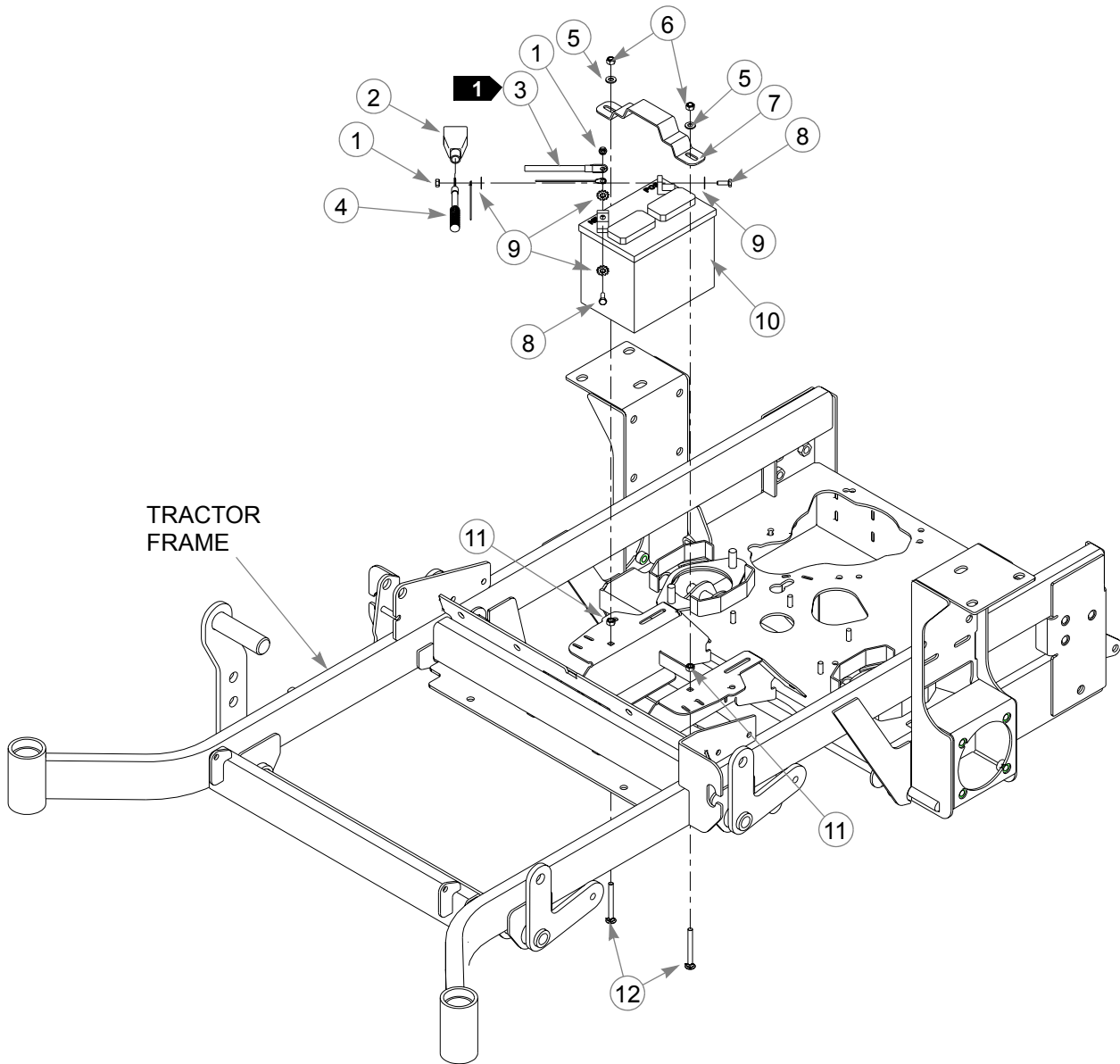
Seal Kit for hydraulic pump; 784983 (BDP21L Overhaul Seal Kit).

---

## Chapter 4 Contents

Battery Installation . . . . .	4-2
Deck Lift Assembly . . . . .	4-4
Steering and Brake Assembly . . . . .	4-6
Pump Belt and Pulley Installation . . . . .	4-10

# **Battery Installation**





---

## **Battery Installation**

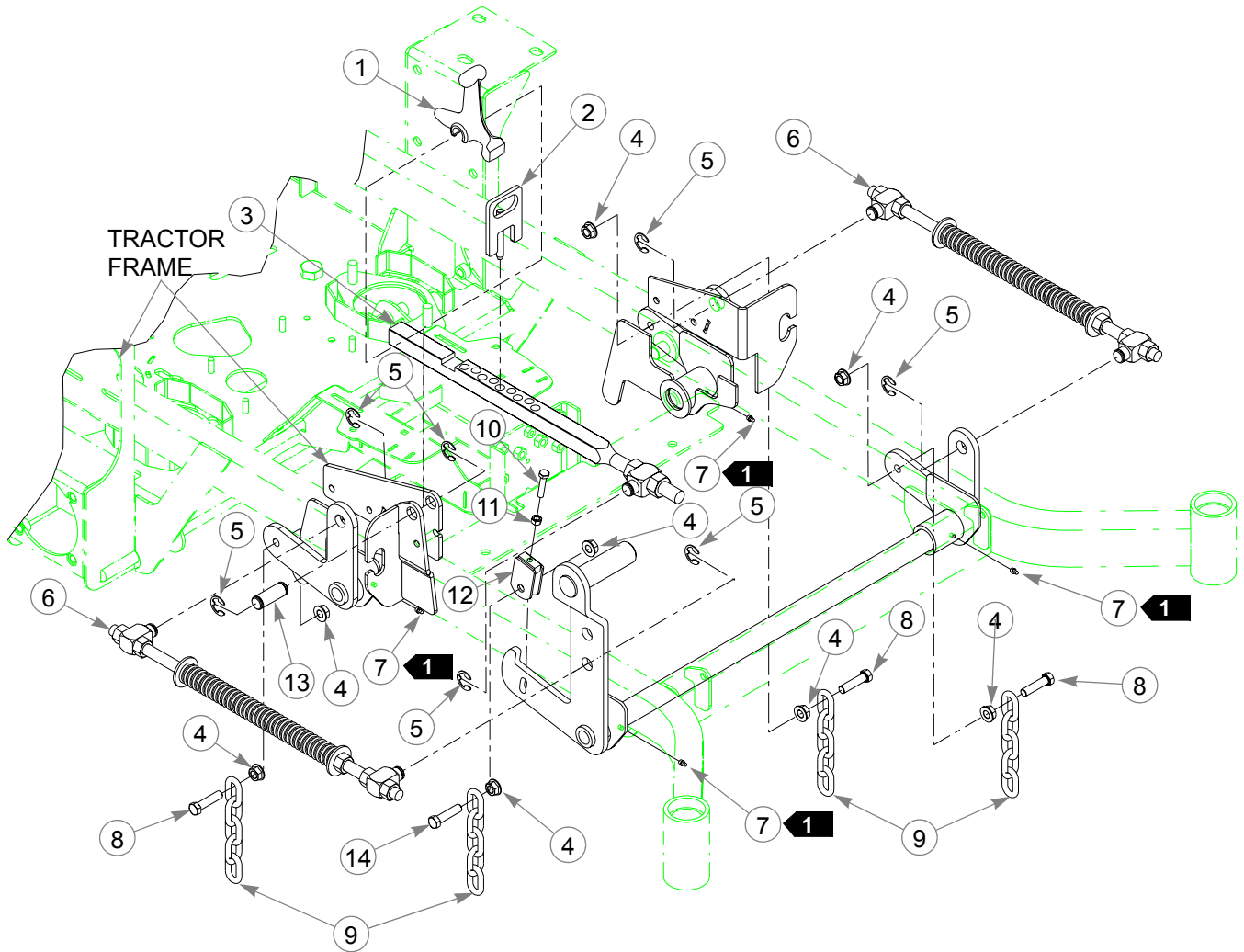
ITEM NO.	SERVICE PART NO.	MFG. PART NO.	QTY	DESCRIPTION
1	024927	024927	2	NT .250-20 HX GR 5 ZN
2	771428	771428	1	RED BATTERY CABLE BOOT
3	796219	796219	1	36" NEGATIVE BATTERY CABLE
4	744276	744276	1	POSITIVE BATTERY CABLE
5	768523	768523	2	FW .343 X .687 X .051/.080 HD ZNYC
6	058776	058776	2	NT .312-18 HX NL ZN
7	348417	348417	1	BATTERY CLAMP STRAP
8	055939	055939	2	CS .250-20 X .750 HX G5 ZN
9	029868	029868	4	LW .250 INT-EXT TOOTH ZN
10	740696	740696	1	BATTERY
11	034272	034272	2	NT .312-18 HX G5 ZN
12	779850	779850	2	CB .312-18 X 3.00 FUL ZN

---

### **NOTES:**

1. When performing service on mower, disconnect battery ground cable and do not reconnect to battery until engine is ready to be started. See Owners Manual.

# Deck Lift Assembly



---

## **Deck Lift Assembly**

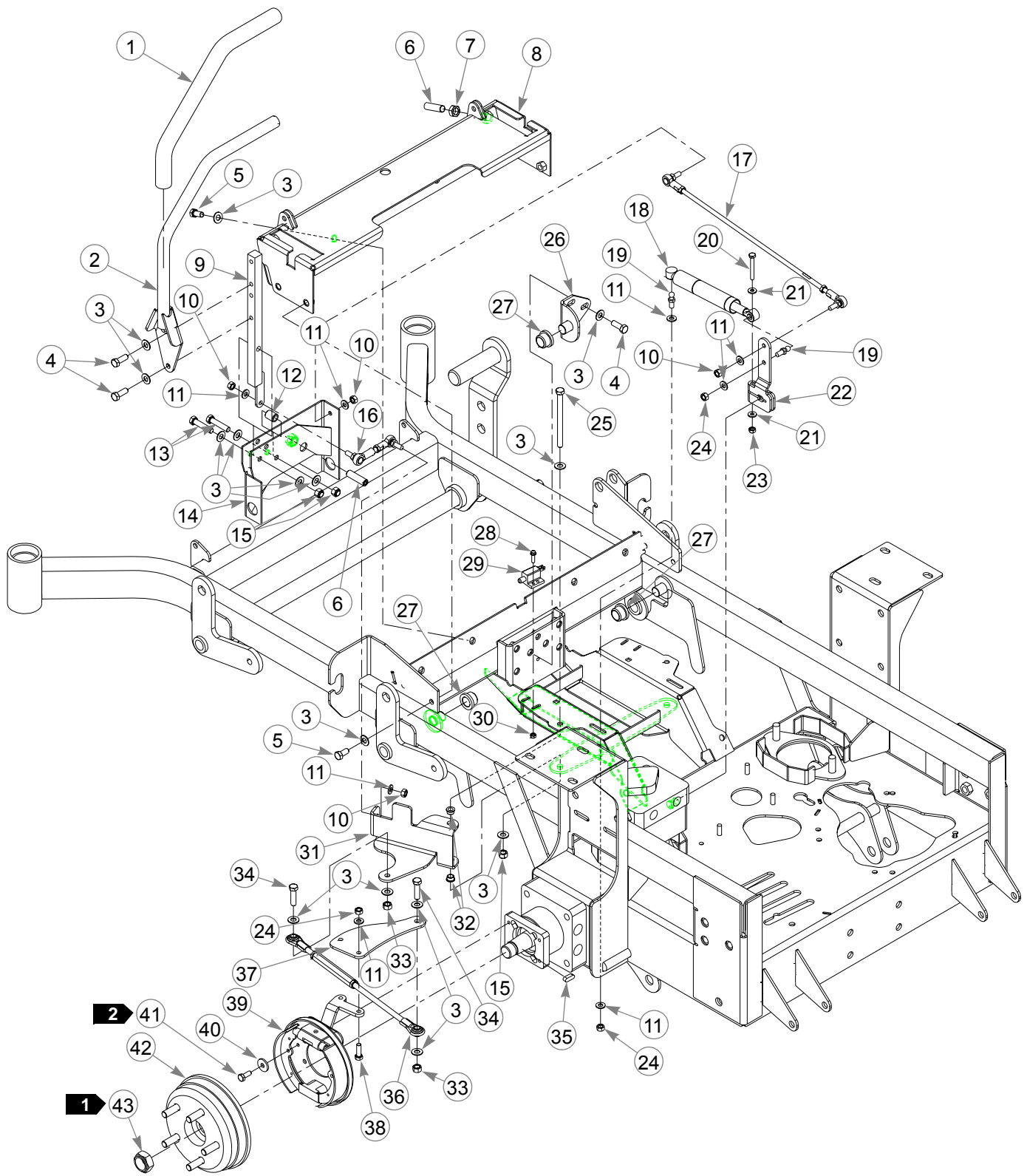
INDEX NO.	SERVICE PART NO.	MFG. PART NO.	QTY	DESCRIPTION
1	348318	348318	1	STOP HANDLE
2	600437	600437	1	DECK HEIGHT W/A 1/2" PIN
	348284	N/A	1	HEIGHT ADJUSTMENT STOP 3/8"
3	783001	783001	1	DECK LIFT INDICATOR
4	704643	704643	8	NT .437-14 HX FLG ZN
5	781294	781294	7	CLIP E, 1.00 X.625X .050
6	782995	782995	2	DECK LIFT SPRING ASSEMBLY
7	015495	015495	4	STRAIGHT GREASE FITTING
8	055749	055749	3	CS .437-14X1.750 HX G5 ZNYC
9	348391	018846	4	DECK LIFT CHAIN (5 LINKS)
10	756270	756270	1	CS .312-18 X 1.50 FLTHR GR5 ZNYC
11	034272	034272	1	NT .312-18 HX G5 ZNYC
12	348458	348458	1	DECK LEVELER YOKE W/A
13	781229	781229	1	CE .750X2.25 X1.75 HEADLESS
14	781831	781831	1	CS .437-14 X 1.750 FULTH G5 ZNYC

---

### **NOTES:**

1. Apply grease to zerks (see owners manual).
2. Verify pin diameter prior to ordering replacement part. For mowers with 3/8" diameter pins, order 348284; for mowers with 1/2" pins, order 600437. For replacement purposes, item 3 comes with item 2 (600437).

# Steering and Park Brake Assembly



# Steering and Park Brake Assembly

ITEM NO.	SERVICE PART NO.	MFG. PART NO.	QTY	DESCRIPTION	
	1	781260	N/A	2	STEERING BAR GRIP
<b>5</b>	2	348755	348755	2	STEERING BAR
	3	767954	767954	43	FW .406 X .812 X .060 SAE HD ZN
	4	036244	036244	10	CS .375-16 X 1.000 HX G5 ZN
	5	055822	055822	8	CS .375-16 X .750 HX G5 ZN
	6	781716	781716	4	SS .500-13 X 1.75 SH ZN
	7	053199	053199	2	NT .500-13 HX JAM ZN
	8	348987	348987	1	STEERING CONTROL PANEL
	9	348946	348946	2	STEERING ARM MOUNT
	10	041152	041152	8	NT .312-24 HX ZN
	11	768523	768523	14	FW .34 3X .687 X .051/.080 HD ZN/YL
	12	348862	348862	4	STEERLEVER BUSHING
	13	705178	705178	6	CS .375-16 X 1.750 HX G5 ZN
	14	348888	348888	1	STEERLEVER SUPPORT LH
		348714	348714	1	STEERLEVER SUPPORT RH
	15	086660	086660	8	NT .375-16 HX LK NY
	16	781583	781583	2	BRAKE ROD ASSEMBLY
	17	781286	781286	2	PUMP ROD ADJUSTER ASSEMBLY
	18	600221	600221	2	CENTERING DAMPENER
<b>6</b>		783696	783696	2	CENTERING DAMPENER
	19	781922	781922	4	DAMPENER BALL STUD
	20	704163	704163	2	CS .250-20 X 2.00 HX G5 ZN
	21	768515	768515	4	FW .281 X .625 X .051/.080 HD ZN/YL
	22	347684	347684	2	SUPER Z PUMP ARM
	23	068551	068551	2	NT .250-20 HX NL ZN
	24	034272	034272	8	NT .312-18 HX G5 ZN
	25	782979	782979	2	CS .375-16 X 4.75 HX G5 ZN
	26	348797	348797	2	ADJUSTABLE PIVOT
	27	781153	781153	4	BUSHING
	28	063198	063198	4	CS 10-24 X .750 HXFLK ZN
	29	781211	781211	2	PUSH BUTTON SWITCH
	30	059832	059832	4	NT #10-24 HX NL ZN
	31	350330	350330	1	L.S. BRAKE PIVOT ARM
		350264	350264	1	R.S. BRAKE PIVOT ARM
	32	765339	765339	4	BUSHING
	33	054502	054502	4	NT .375-16 HX GRD 5 ZN
	34	005116	005116	4	CS .375-16 X 1.375 HX G5 ZN
	35	783852	N/A	2	KEY FOR WHITE MOTOR
	36	350397	350397	2	BRAKE LINK TURNBUCKLE
	37	354035	354035	2	WHITE BRAKE LEVER EXTENSION
	38	036236	036236	4	CS .312-18 X 1.000 HX G5 ZN
<b>3</b>	39	783126	783126	1	LH WHITE BRAKE ASSY
<b>4</b>		783118	783118	1	RH WHITE BRAKE ASSY
	40	712927	712927	8	FW .344 X 1.00 X .12 HRD ZNYC
	41	048876	048876	8	CS .312-18 X .750 HX G8 ZNYC
	42	782953	782953	2	WHITE HUB ASSEMBLY
	43	783845	N/A	2	NUT FOR WHITE MOTOR

---

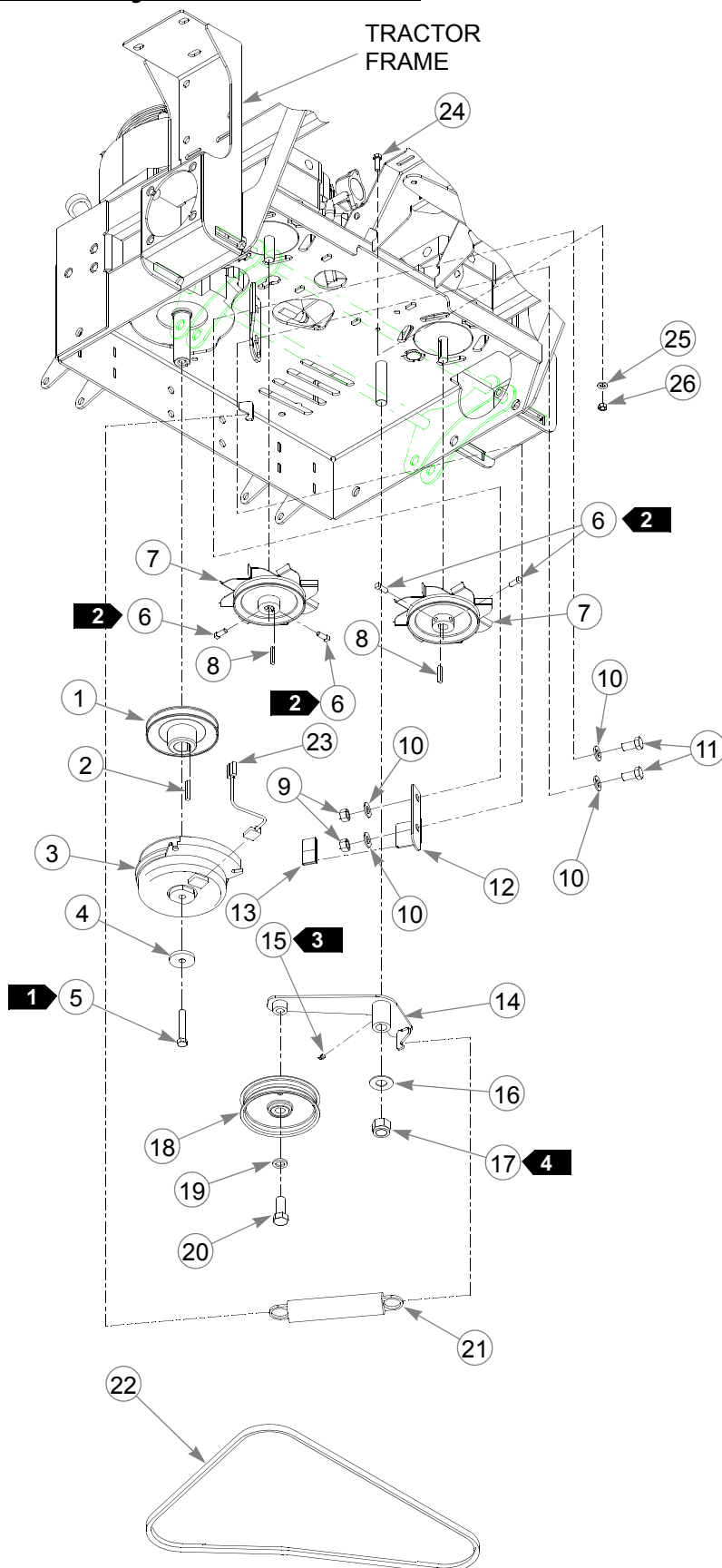
**NOTES:**

1. Torque to 379.6- 420.3 N-m. Included with wheel motor.
2. Torque to 32.5 N-m.
3. 783126 used on left wheel.
4. 783118 used on right wheel.
5. Includes Item 1 (781260 Steering Bar Grip).
6. For mowers with serial numbers prior to 06071499, use 783696 for the centering dampener. For mowers with serial numbers higher than 06071499, use 600221.

---

**This page intentionally left blank.**

# **Pump Belt and Pulleys Installation**





---

## **Pump Belt and Pulleys Installation**

INDEX NO.	SERVICE PART NO.	MFG. PART NO.	QTY	DESCRIPTION
1	783761	783761	1	SUPER Z SINGLE ENGINE PULLEY
2	212076	212076	1	KEY 1/4 SQ X 1.50 LONG
3	787366	787366	1	WARNER CLUTCH
4	783829	783829	1	FW .460 X 1.750 X .250 ZNYC
5	785659	785659	1	CS .437-20 X 2.50 HX G5 ZNYC
6	083196	083196	4	SS .312-18X .750 SQ-HD ZN
7	782466	782466	2	PULLEY & FAN FOR BDP-21
8	783712	783712	2	KEY FOR BDP21L
9	008193	008193	2	NT .500-13 HX G5 ZNYC
10	767962	767962	4	FW .531 X 1.063 X .090 SAE HD ZN
11	016527	016527	2	CS .500-13 X 1.00 HX G5 ZNYC
12	366765	366765	1	CLUTCH ANCHOR ANGLE
13	784918	784918	2	RUBBER BUMPER
14	349761	349761	1	PUMP IDLER ARM
15	015495	015495	1	STRAIGHT GREASE FITTING
16	025296	025296	1	FW .760 X 1.625 X .08 ZN
17	061101	061101	1	NT .750-10 HX NL ZN
18	781856	781856	1	IDLER PULLEY
19	028118	028118	1	FW .62 X 1.00 X.134 ZN
20	794446	794446	1	CS .625-11 X 1.50 HX G5 ZN
21	781302	781302	1	IDLER SPRING
22	781443	781443	1	A-SEC PUMP IDLER BELT
23	791251	791251	1	CLUTCH PIGTAIL HARNESS WITH DIODE
24	036236	036236	1	CS .312-18 X 1.00 HX G5 ZNYC
25	768523	768523	1	FW .343 X .687 X .051/.080 HD ZNYC
26	034272	034272	1	NT .312-18 HX G5 ZNYC

---

### **NOTES:**

1. Torque to 61.0-65.1 N-m.
2. Torque to 16.3-20.3 N-m.
3. Apply grease at zerk (see owners manual).
4. Do not torque Item 17 (NT .750-10 HX NL ZN), Item 14 (349761 Pump Idler Arm) should pivot freely.

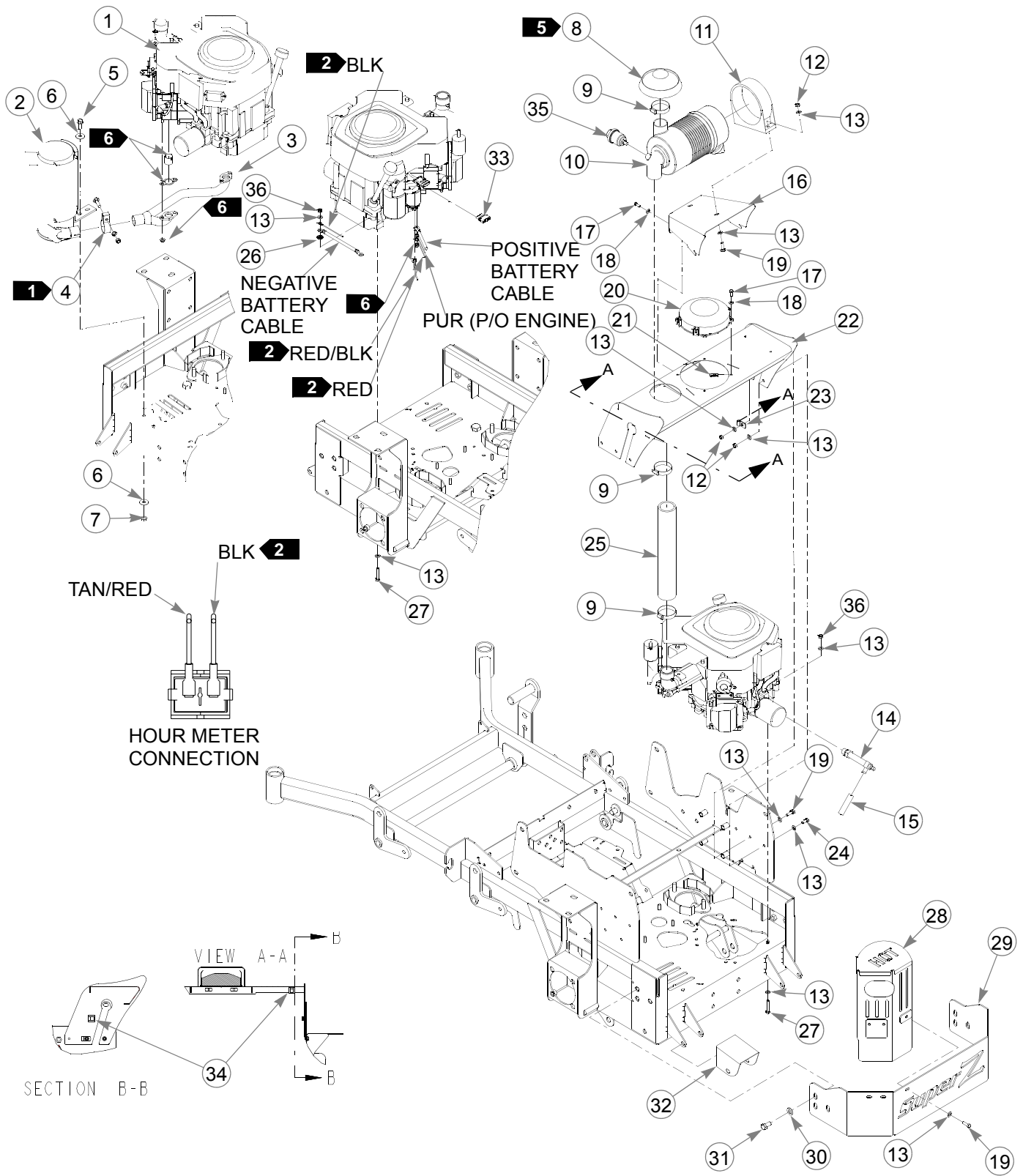


---

## Chapter 5 Contents

Kohler 27 HP Engine Installation . . . . .	5-2
Fuel System . . . . .	5-6
Fuel System . . . . .	5-8
Instrument Panel Assembly . . . . .	5-10
Electrical Schematic—Common Air Cooled(799320) . . . . .	5-12

# Kohler 27 HP Engine Installation



---

# **Kohler 27 HP Engine Installation**

ITEM NO.	SERVICE PART NO.	MFG. PART NO.	QTY	DESCRIPTION
1	788216	788216	1	KOHLER 27HP ENGINE CV740
2	788018	788018	1	MUFFLER
3	788026	788026	1	MUFFLER MANIFOLD
<b>1</b>	785378	785378	1	1.50" MUFFLER CLAMP
5	029751	029751	2	CS .375-16 X 1.00 HXFLK ZNYC
6	705137	705137	4	FW .391 X 1.250 X .060 ZNYC
7	016899	016899	2	NT .375-16 HXFLK ZNYC
8	786673	786673	1	DONALDSON AIR CLEANER CAP
9	057661	057661	2	HOSE CLAMP
10	782763	782763	1	AIR CLEANER
11	785741	785741	1	MOUNTING BAND
12	034272	034272	7	NT .312-18 HX G5 ZN
13	768523	768523	25	FW .343 X .687 X .051/.080 HD ZN/YL
14	796672	796672	1	3/8-18 OIL DRAIN VALVE
15	787713	787713	1	0.50" LOW PRESSURE HOSE
16	357780	357780	1	HOOD SCOOP
17	055939	055939	6	CS .250-20 X .750 HX G5 ZNYC
18	768515	768515	6	FW .281 X .625 X .051/.080 HD ZNYC
19	036236	036236	6	CS .312-18 X 1.00 HX G5 ZNYC
20	783837	783837	1	ELECTRIC COOLER FAN
21	044818	044818	4	CN ZN TIN-C7343-1420
22	356121	356121	1	SUPER Z HOOD
23	778738	778738	1	.312 WIRING CLAMP
24	034280	034280	4	CS .312-18X .750 HX G5 ZNYC
25	795310	795310	1	REMOTE AIR FILTER HOSE
26	029876	029876	1	LW .312 INT-EXT TOOTH ZN
27	050161	050161	4	CS .312-18 X 1.75 HX G5
28	382168	382168	1	MUFFLER GUARD
29	380691	380691	1	SUPER Z ENGINE GUARD
30	767962	767962	6	FW .531 X 1.063 X .090 SAE HD ZN
31	016527	016527	6	CS .500-13 X 1.00 HX G5 ZNYC
32	377994	377994	1	MMZ ROLLER HEAT SHIELD
33	799320	799320	1	COMMON AIR COOLED WIRE HARNESS
34	047654	047654	2	CLIP
35	788943	788943	1	AIR FILTER INDICATOR
36	058776	058776	4	NT .312-18 HX ZYNL

---

---

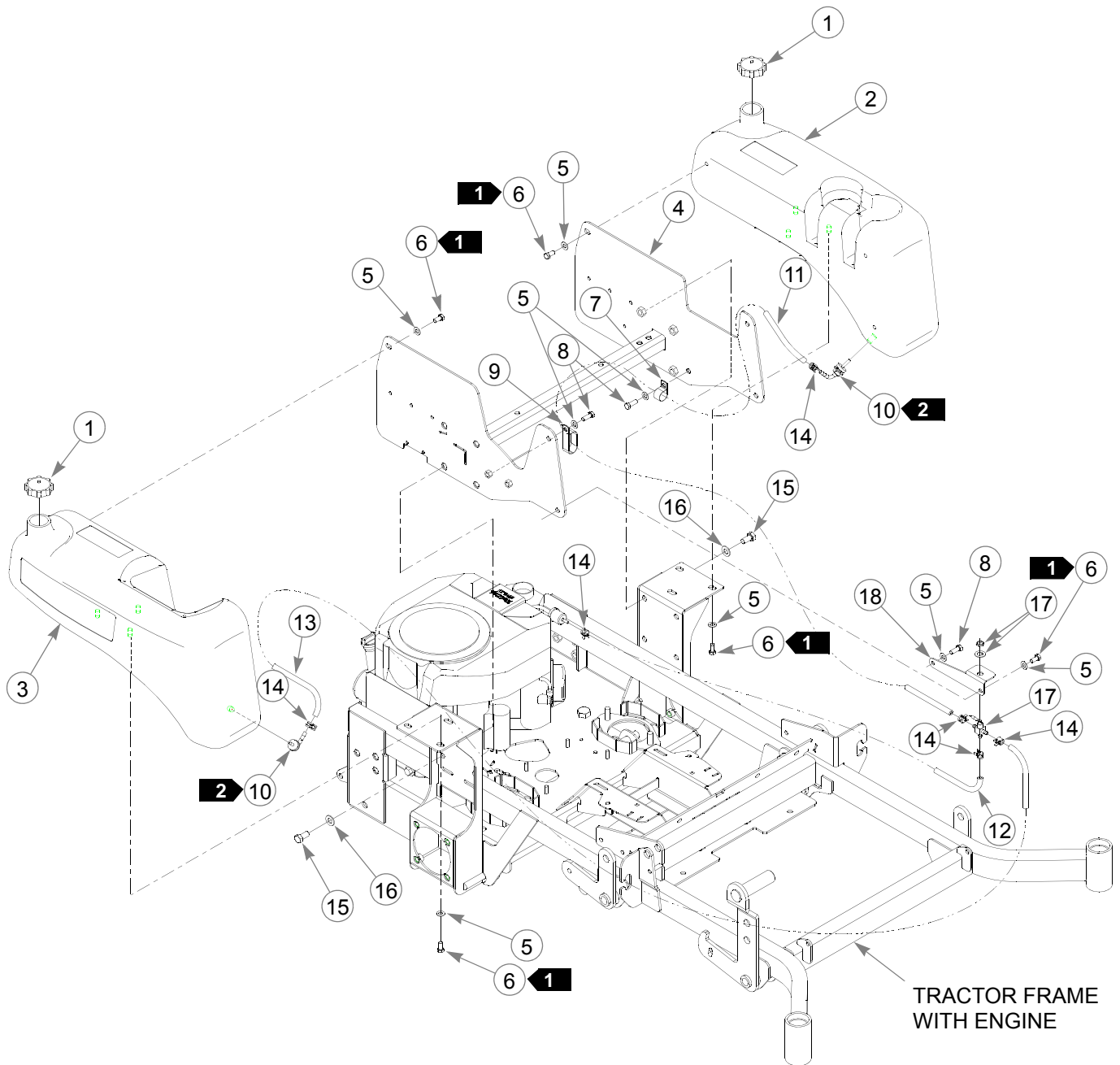
**NOTES:**

1. Includes mounting hardware.
2. Part of Item 33 (799320 Tractor Wire Harness).
3. Engine oil capacity; 1.9 L.
4. 27 HP Engine RPM to be set at  $2750 \pm 50$ . 30 HP Engine RPM is set at  $3600 \pm 50$  RPM for high speed and  $1800 \pm 100$  RPM low speed (Governed).
5. Includes one (1) of 057661 Hose Clamp.
6. Supplied with engine.
7. Air filter service parts:

785261	MAIN AIR FILTER ELEMENT
763318	VACUATOR VALVE

---

**This page intentionally left blank.**



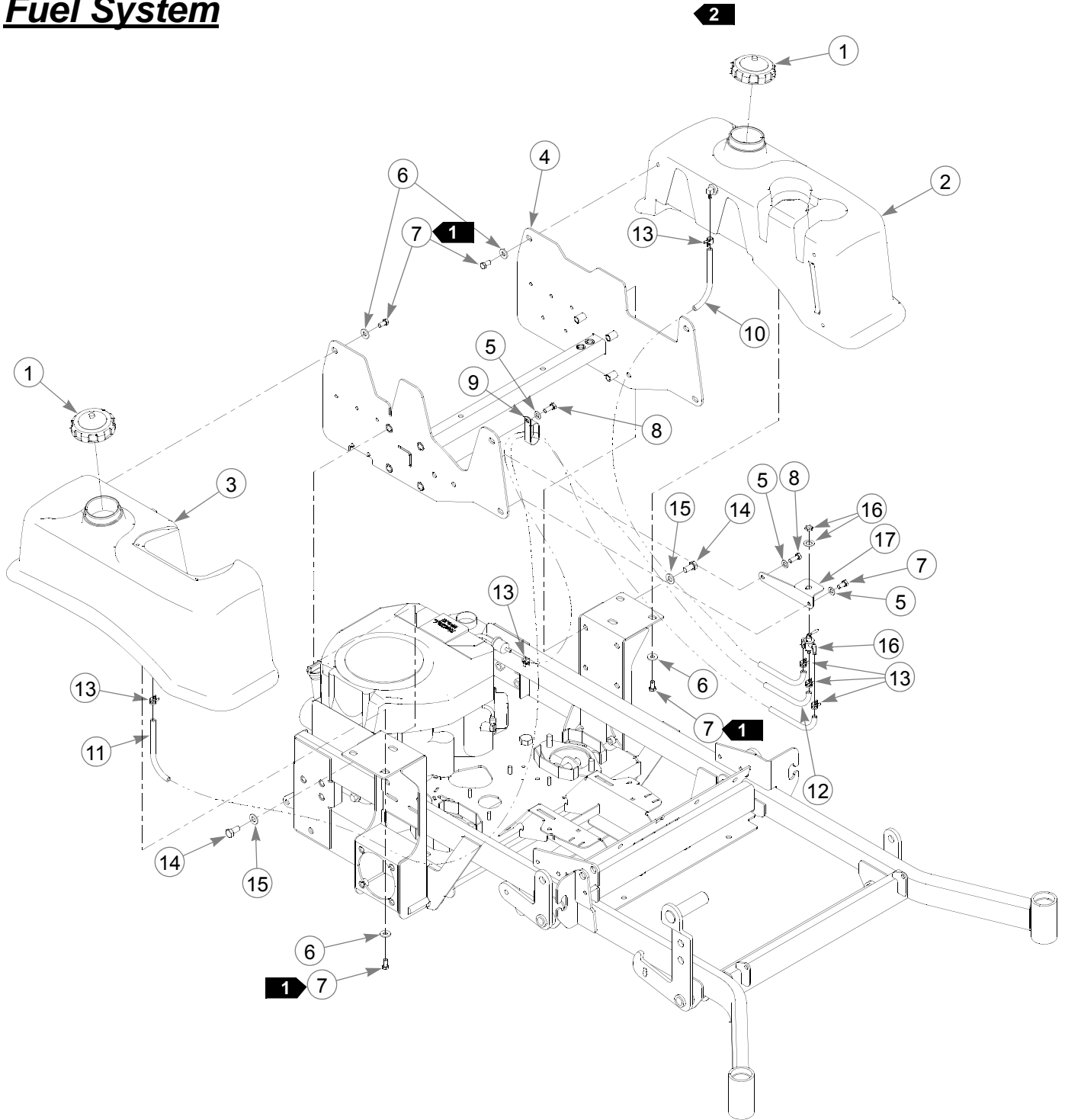


ITEM NO.	SERVICE PART NO.	MFG. PART NO.	QTY	DESCRIPTION
1	784181	784181	2	FUEL TANK CAP
2	796326	796326	1	LEFT SIDE SUPER Z FUEL TANK
3	796318	796318	1	RIGHT SIDE SUPER Z FUEL TANK
4	349944	349944	1	REAR SEAT SUPPORT
5	767954	767954	3	FW .406 X .812 X .060 SAE HD ZN
6	055822	055822	12	CS .375-16 X .750 HX G5 ZN
7	000398	000398	1	CLAMP
8	036244	036244	2	CS .375-16 X 1.000 HX G5 ZN
9	045088	045088	1	HOSE CLAMP 1"
10	791277	N/A	2	FUEL TANK 90° FITTING
11	015818	015818	1	FUEL LINE 50" TOTAL
12	015818	015818	1	FUEL LINE 39" TOTAL
13	015818	015818	1	FUEL LINE 7" TOTAL
14	000323	000323	6	CLIP
15	016527	016527	8	CS .500-13 X 1.00 HX G5 ZN
16	767962	767962	8	FW .531 X 1.063 X .090 SAE HD ZN
17	745059	745059	1	3-WAY FUEL VALVE
18	347989	347989	1	FUEL SHUT-OFF BRACKET
	000331	000331	3	BLACK CABLE TIE (NOT SHOWN)

### NOTES:

1. Torque to 27.1 N-m.
2. Included with new fuel tank.
3. Used on mowers with serial number prior to 05042114.

# Fuel System



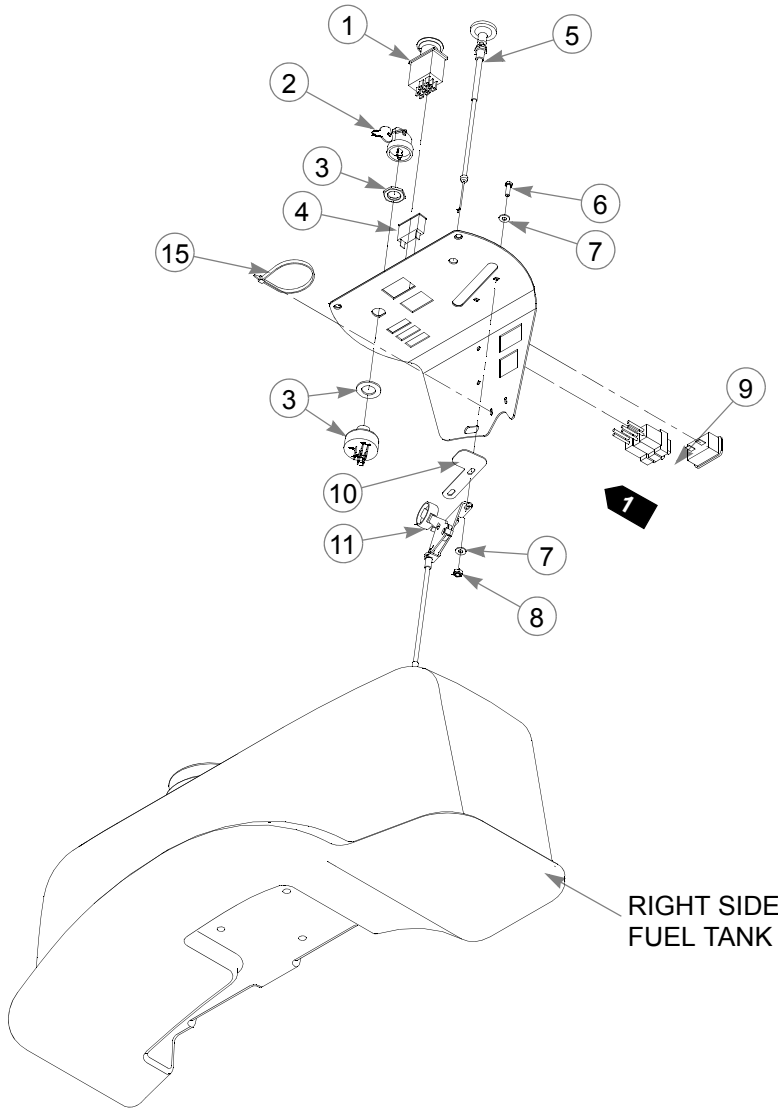
ITEM NO.	SERVICE PART NO.	MFG. PART NO.	QTY	DESCRIPTION
1	779306	779306	2	FUEL TANK CAP
2	793240	793240	1	LEFT SIDE FUEL TANK
3	793232	793232	1	RIGHT SIDE FUEL TANK
4	106732	N/A	1	REAR SEAT SUPPORT
5	767954	767954	3	FW .406 X .812 X .060 SAE HD ZN
6	712919	712919	11	FW .406 X 1.00 X .12 HRD ZN
7	055822	055822	12	CS .375-16 X .750 HX G5 ZN
8	036244	036244	2	CS .375-16 X 1.000 HX G5 ZN
9	045088	045088	1	HOSE CLAMP 1"
10	015818	015818	1	FUEL LINE 45.5" TOTAL
11	015818	015818	1	FUEL LINE 26.5" TOTAL
12	015818	015818	1	FUEL LINE 38" TOTAL
13	000323	000323	6	CLIP
14	705954	705954	8	CS .500-13X1.25 HX G5 Z
15	767962	767962	8	FW .531 X 1.063 X .090 SAE HD ZN
16	797084	797084	1	3-WAY FUEL VALVE
17	347989	347989	1	FUEL SHUT-OFF BRACKET
	000331	000331	3	BLACK CABLE TIE (NOT SHOWN)

### NOTES:

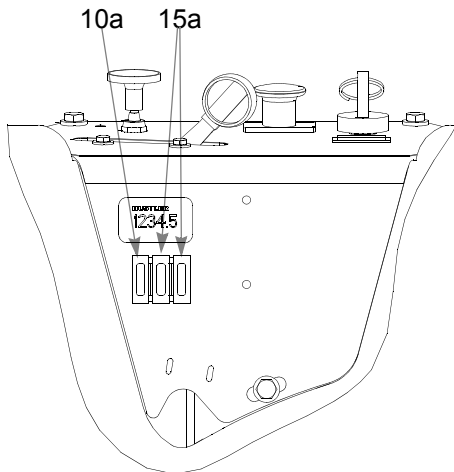
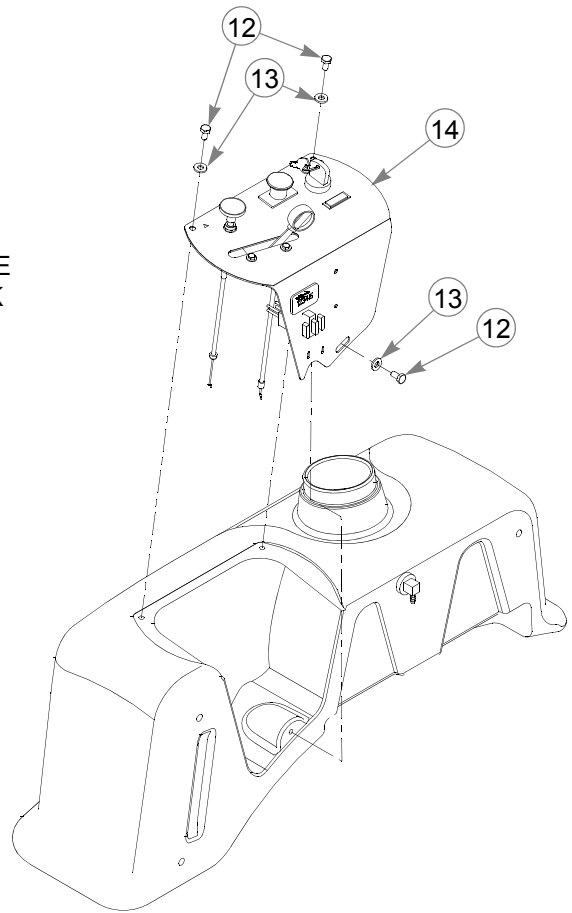
1. Torque to 27.1 N-m.
2. Used on mowers with serial number 05042114 and higher.
3. Service parts for fuel tanks (not shown):

PART NO.	DESCRIPTION
785295	FLANGE GROMMET
794107	1/4 ID, 3/8 OD, 1/16 WALL TUBING
794081	1/4 DIP TUBE WEIGHT FITTING
792986	1/4 X 1/4 ELBOW FITTING

# Instrument Panel Assembly



RIGHT SIDE  
FUEL TANK



FUSE SIZE  
AND LOCATION

---

# **Instrument Panel Assembly**

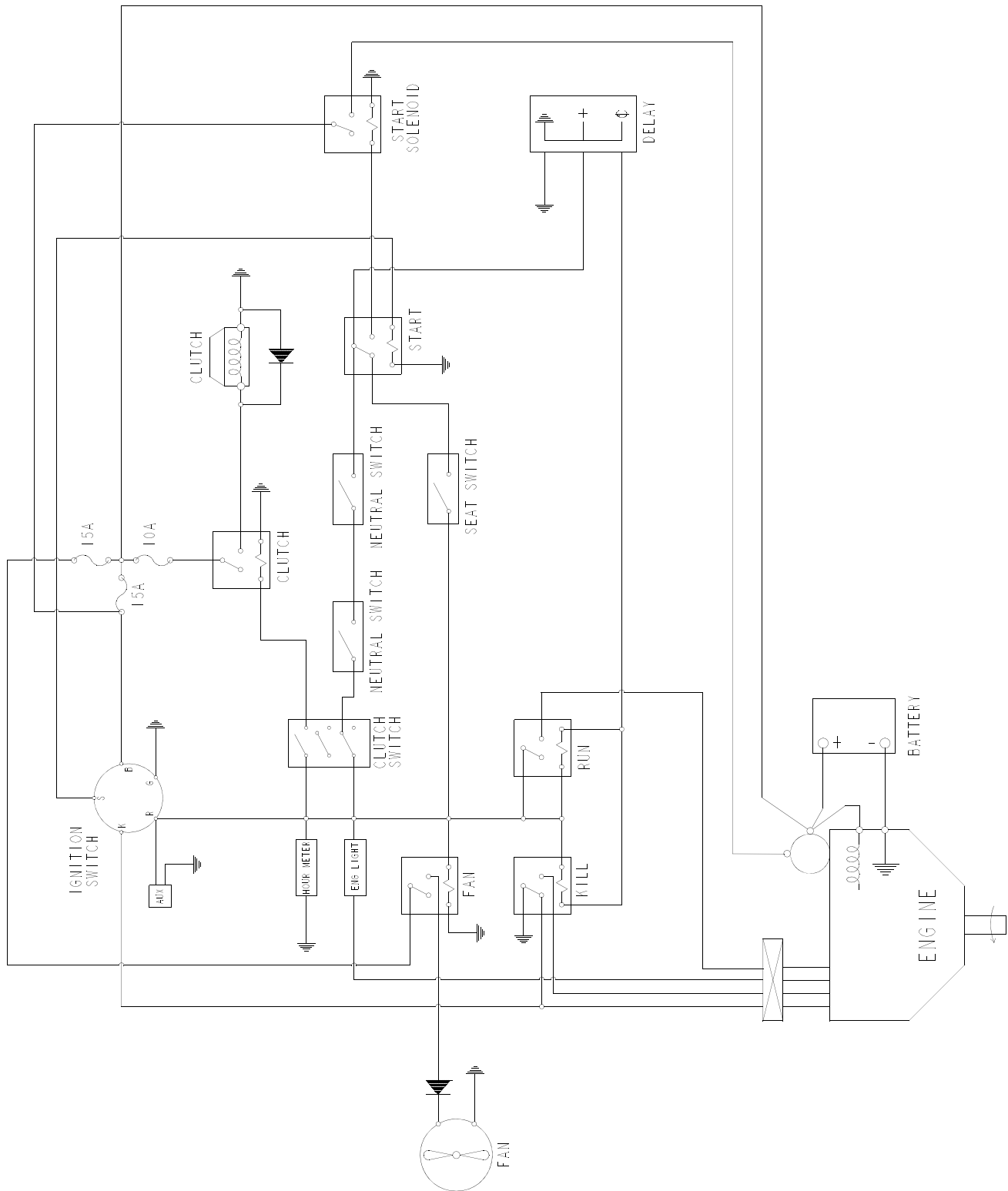
ITEM NO.	SERVICE PART NO.	MFG. PART NO.	QTY	DESCRIPTION
1	776476	776476	1	PTO SWITCH
2	785808	785808	1	INDAK COATED KEY SET
3	045898	045898	1	KEY SWITCH
4	712257	712257	1	RED INDICATOR LIGHT
5	786657	786657	1	CHOKE CABLE
6	714998	714998	3	MS #10-24 X .625 HX ZN
7	704932	704932	6	FW .219 X .500 X .048 ZN
8	059832	059832	6	NT #10-24 HX NL ZN
9	769166	769166	1	HOUR METER
10	102707	102707	1	CE THROTTLE STOP
11	778365	778365	1	THROTTLE CABLE
12	055947	055947	3	CS .250-20 X .500 HX G5 ZN
13	768515	768515	3	FW .281 X .625 X .051 / .080 HD ZN/YL
14	349308	349308	1	INSTRUMENT PANEL
15	000430	000430	2	TIE STRAP
	026237	N/A	6	RELAY (NOT SHOWN)
	762195	N/A	1	DELAY MODULE (NOT SHOWN)

---

## **NOTES:**

1. Part of 799320 (Wire Harness)

# Electrical Schematic - Common Air Cooled (799320)

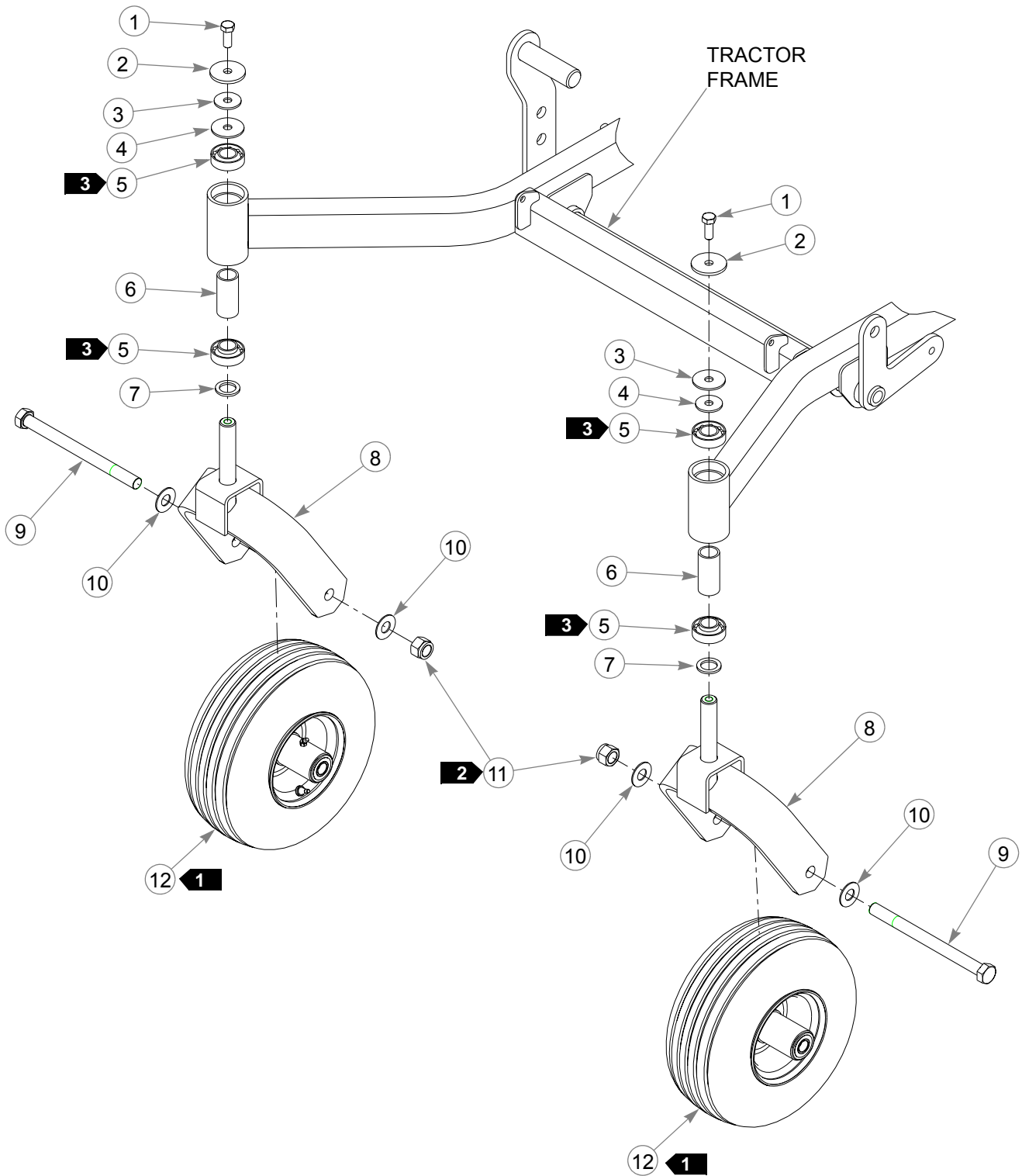


---

## Chapter 6 Contents

Front Wheel Assembly. . . . .	6-2
Front Wheel Breakdown-747782 . . . . .	6-4
Optional Semi-Pneumatic Tire/Wheel-789537 . . . . .	6-5
Drive Wheel Assembly. . . . .	6-6
Anti-Rollover Wheel Assembly . . . . .	6-7

# Front Wheel Assembly





---

## **Front Wheel Assembly**

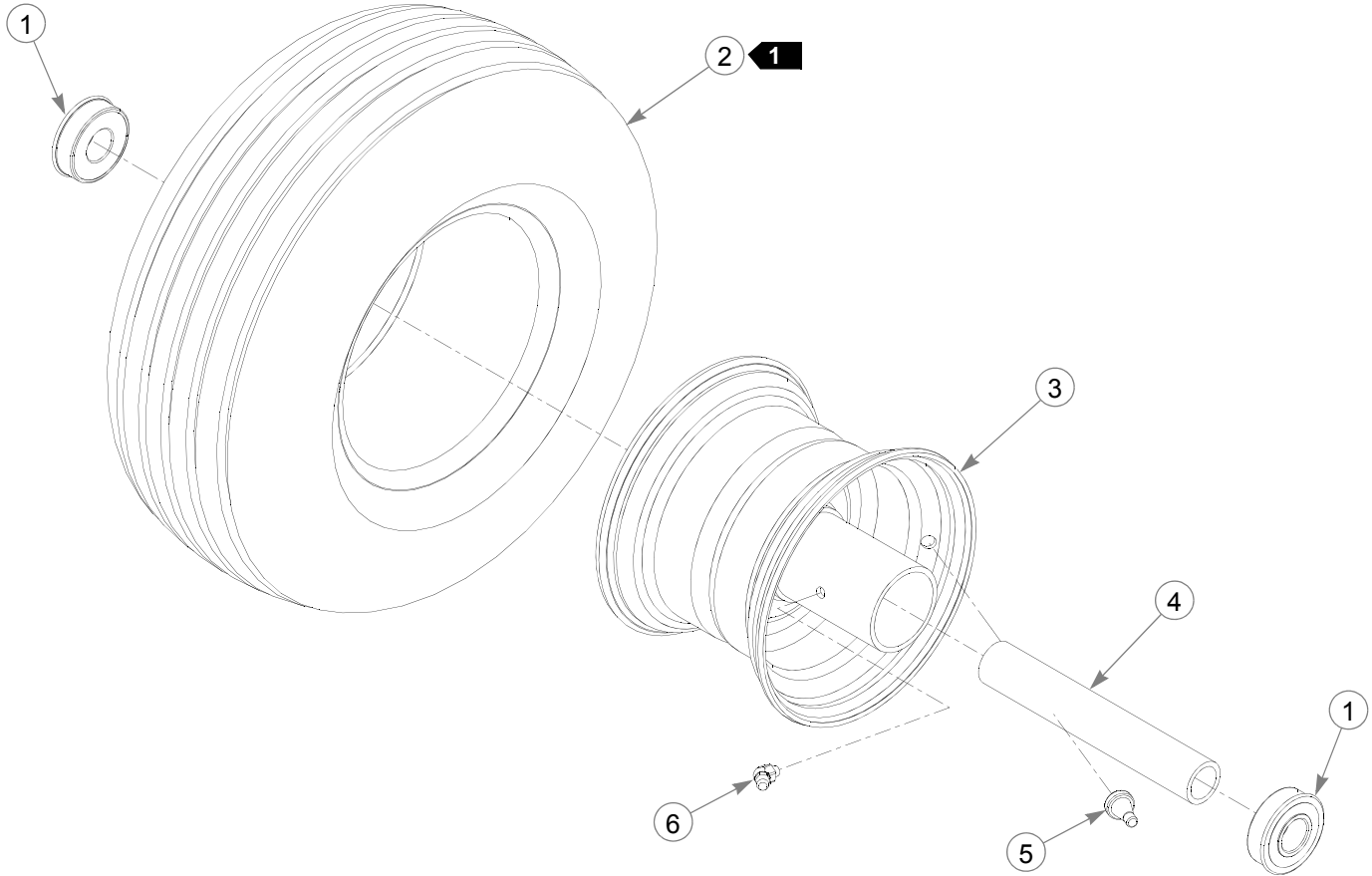
<b>INDEX NO.</b>	<b>SERVICE PART NO.</b>	<b>MFG. PART NO.</b>	<b>QTY</b>	<b>DESCRIPTION</b>
1	705954	705954	2	CS .500-13 X 1.25 HX G5 ZN
2	344267	344267	2	FW .510 X 2.15 X .187 SPL ZN
3	798603	798603	2	FW .515 X 1.65 X .125 HD ZY
4	263517	263517	2	BEARING DISC
5	784223	784223	4	BEARING W/O COLLAR
6	387035	387035	2	SPACER, 1.07 X 1.312 X 2.793
7	045765	045765	2	FW 1.030 X 1.500 X.134 ZN
8	349266	349266	2	FORK
9	041475	041475	2	CS .750-10 X 9.50 HX ZN
10	025296	025296	4	FW .760 X 1.625 X .08 ZN
11	061101	061101	2	NT .750-10 HX NL ZN
12	747782	747782	2	WHEEL & TIRE ASSY

---

### **NOTES:**

1. Apply grease to zerks (see owners manual).
2. Torque to 135.6 N-m.
3. Assemble with extended inner race toward item 6 (387035 Spacer, 1.07 x 1.312 x 2.793).

# **Front Wheel Breakdown-747782**



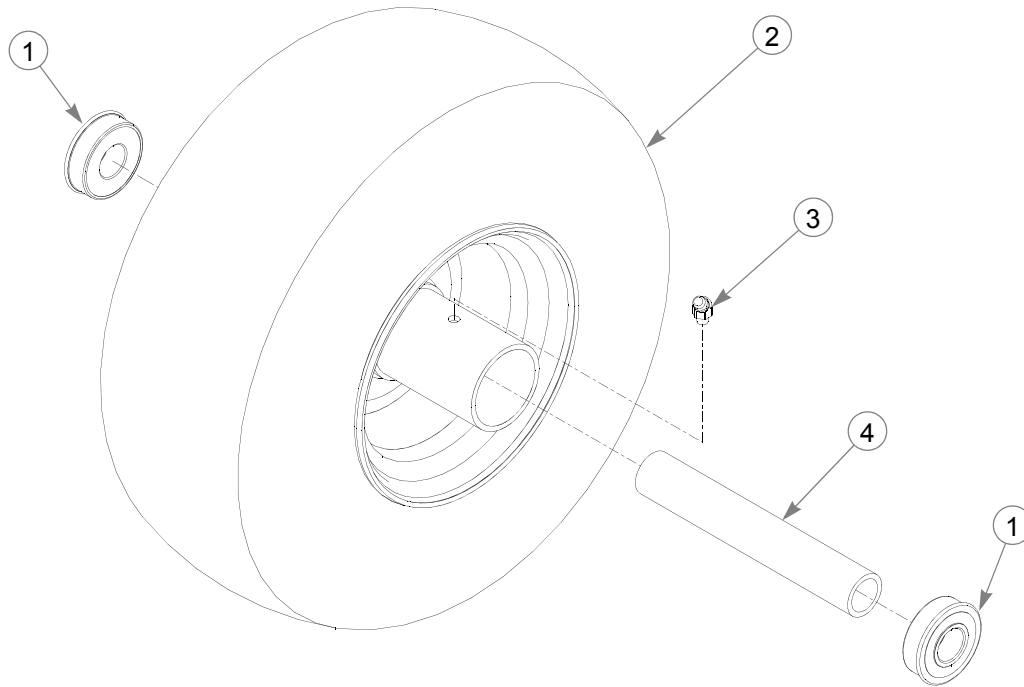
ITEM NO.	SERVICE PART NO.	MFG. PART NO.	QTY	DESCRIPTION
1	039677	N/A	2	WHEEL BEARING
2	747741	N/A	1	13 X 6.50 TIRE
3	747832	N/A	1	6 X 4.5 WHEEL
4	782771	N/A	1	BEARING SPACER
5	019521	N/A	1	TIRE VALVE
6	015511	N/A	1	GREASE FITTING 45 DEG 1/4

## **NOTES:**

1. Inflate tire to 55.2-68.9 kPa.

---

## **Optional Semi-Pneumatic Tire/Wheel-789537**



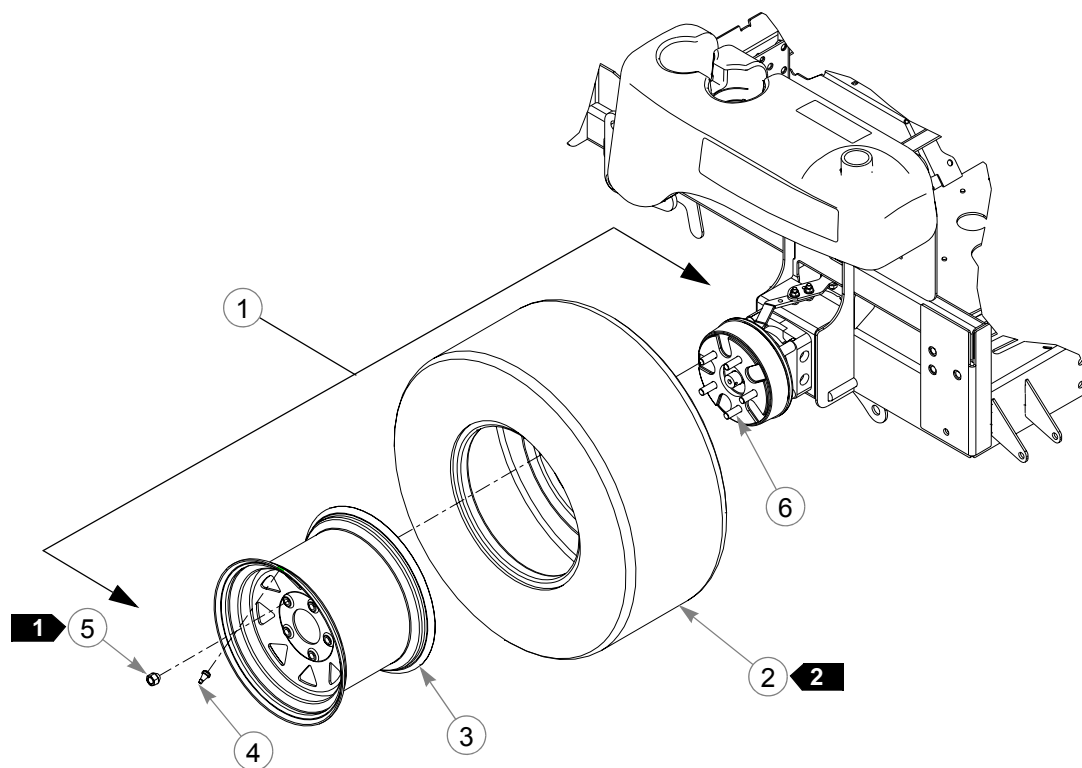
---

ITEM NO.	SERVICE PART NO.	MFG. PART NO.	QTY	DESCRIPTION
1	039677	N/A	2	WHEEL BEARING
2	789537	N/A	1	TIRE/WHEEL ASSEMBLY
3	015511	N/A	1	GREASE FITTING 45 DEG 1/4
4	782771	N/A	1	BEARING SPACER

---

### **NOTES:**

# Drive Wheel Assembly

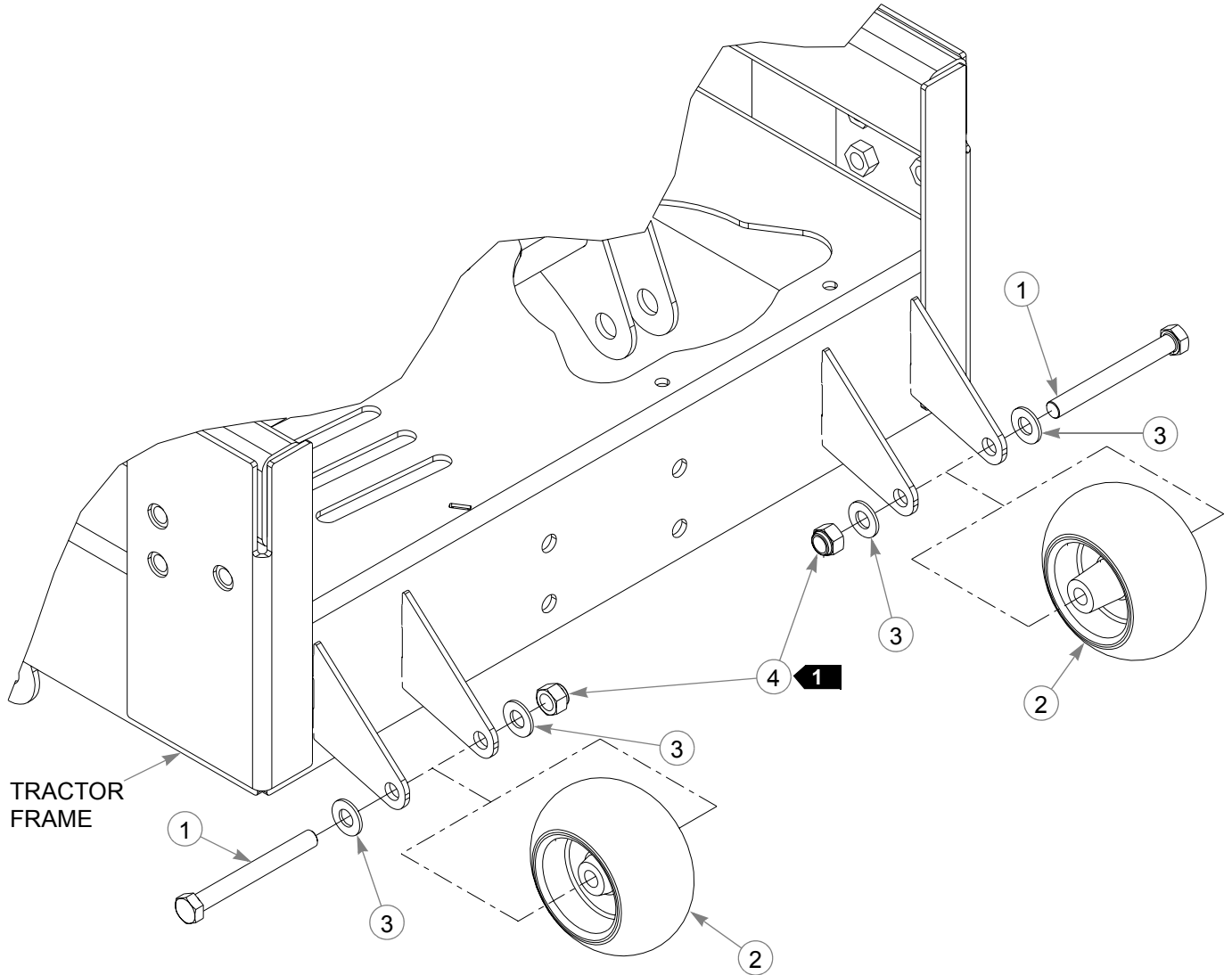


INDEX NO.	SERVICE PART NO.	MFG. PART NO.	QTY	DESCRIPTION
1	784058	784058	2	WHEEL & TIRE ASSY FOR 66" SD, 60" RD & 72" RD (QTY PER TRACTOR)
2	781245	N/A		TIRE, 12 X 12 X 24 FOR 72"
3	784066	N/A		WHEEL ASSY 12 X 8.50 FOR 72" SD
4	019521	N/A		TIRE VALVE
5	061077	061077	5	WHEEL NUT (QTY PER WHEEL)
6	601085	601085	10	WHEEL LUG STUD 1/2-20
<hr/>				
1	781237	781237	2	WHEEL & TIRE ASSY FOR 60" & 54" (QTY PER TRACTOR)
2	781245	N/A		TIRE, 12 X 12 X 24 FOR 60" & 54"
3	781252	N/A	2	WHEEL ASSEMBLY 12 X 8.50 FOR 60" & 54" SD
4	019521	N/A	2	TIRE VALVE
5	061077	061077	5	WHEEL NUT (QTY PER WHEEL)
6	601085	601085	10	WHEEL LUG STUD 1/2-20

## NOTES:

1. Torque to 88.1-101.7 N-m.
2. Inflate tire to 55.2-82.8 kPa.

# Anti-Rollover Wheel Assembly



INDEX NO.	SERVICE PART NO.	MFG. PART NO.	QTY	DESCRIPTION
1	068239	068239	2	CS .500-13 X 4.500 HX G5 ZN
2	031997	031997	2	ANTI-SCALP WHEEL
3	767962	767962	4	FW .531 X 1.063 X .090 SAE HD ZN
4	781567	781567	2	NT .50-13 HX LK NY

## NOTES:

1. Do not torque, wheel must turn freely.

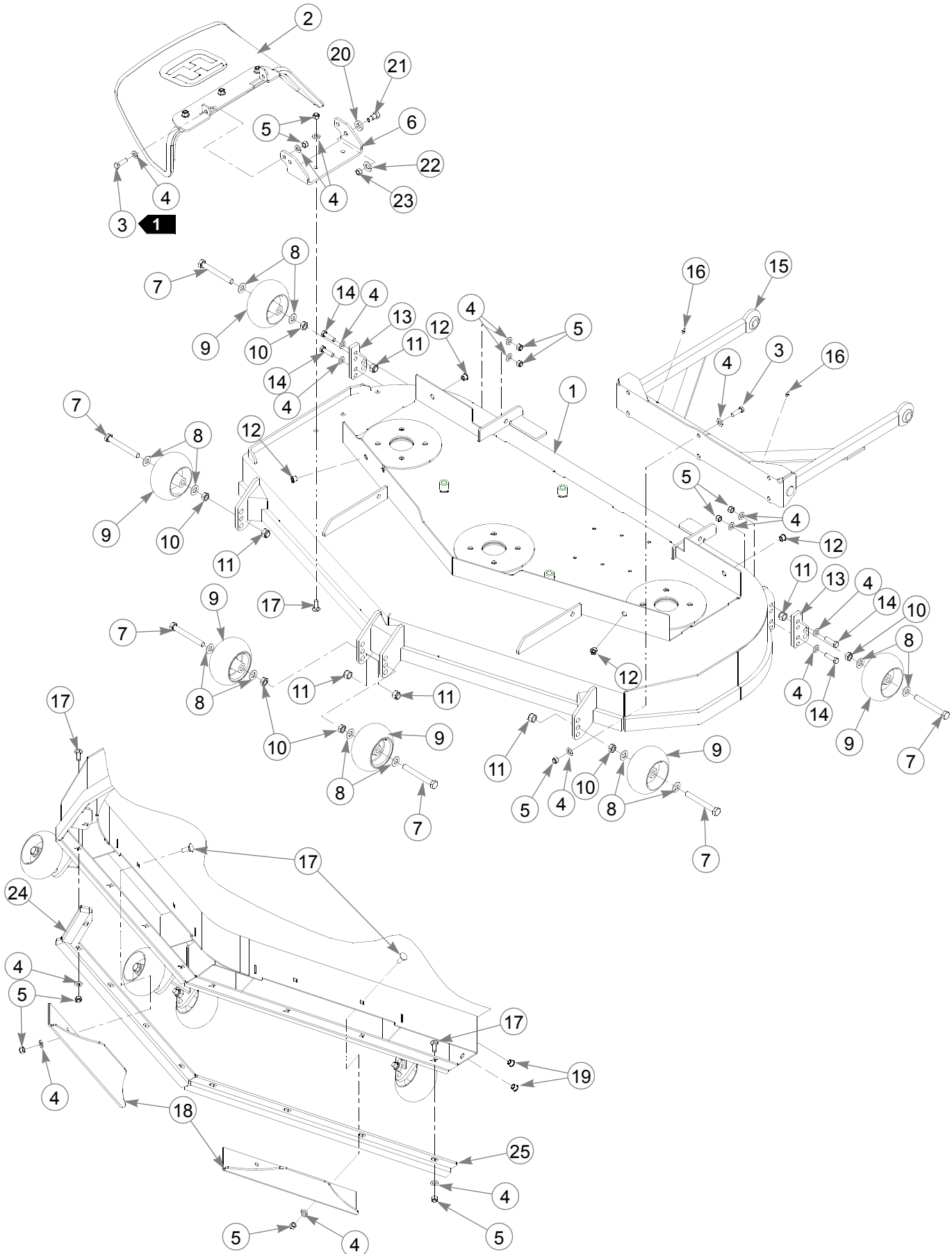


---

## Chapter 7 Contents

60" Side Discharge Deck Assembly . . . . .	7-2
60" Side Discharge Deck Pulley Assembly . . . . .	7-4
72" Rear Discharge Deck Assembly . . . . .	7-6
72" Rear Discharge Deck Pulley Assembly . . . . .	7-8
60" Rear Discharge Deck Assembly . . . . .	7-10
60" Rear Discharge Deck Pulley Assembly . . . . .	7-12
Spindle Assembly - 796235 . . . . .	7-14
Spindle Assembly-796680 . . . . .	7-15

# 60" Side Discharge Deck Assembly





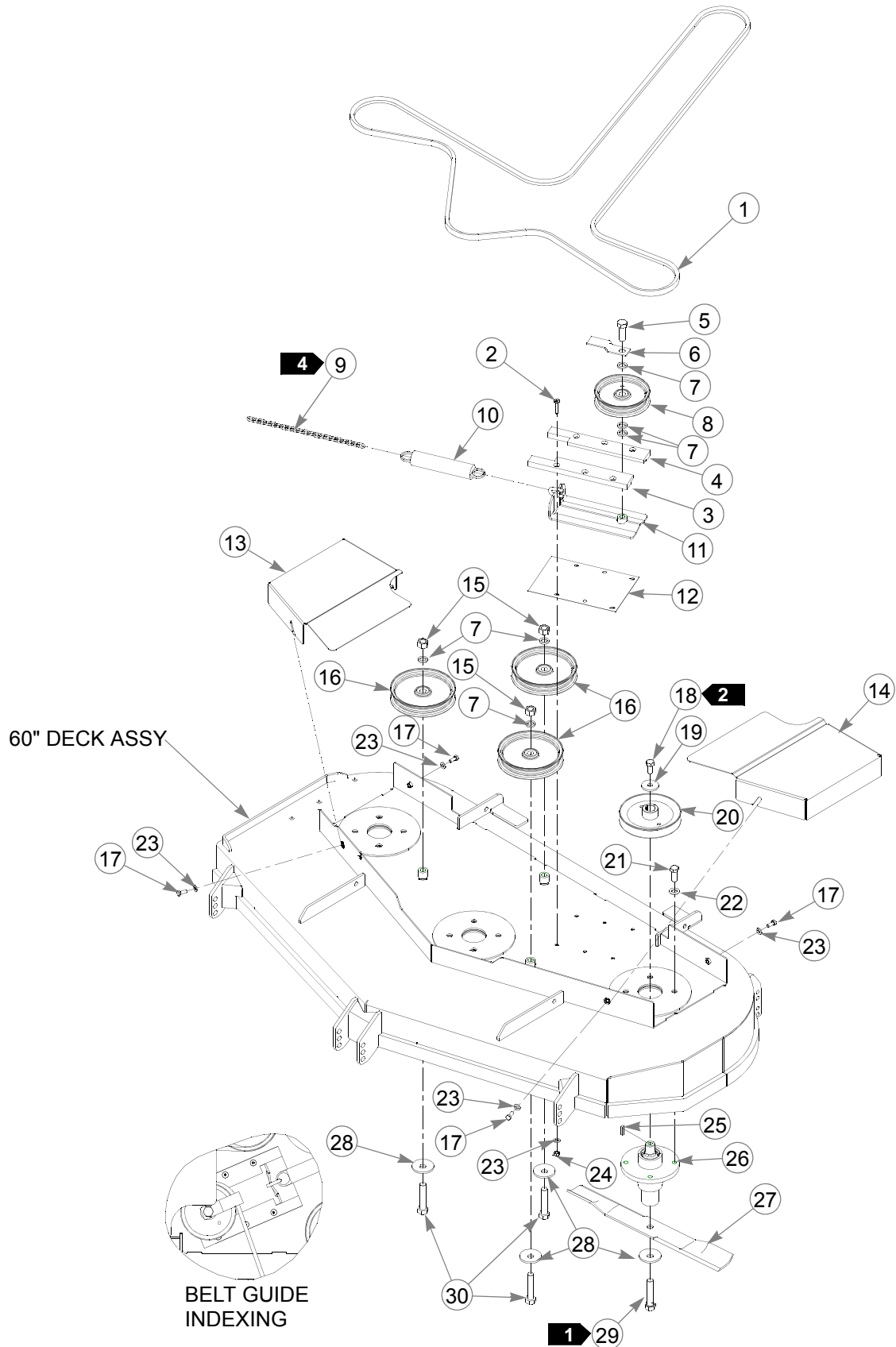
## 60" Side Discharge Deck Assembly

INDEX NO.	SERVICE PART NO.	MFG. PART NO.	QTY.	DESCRIPTION	
<b>3</b>	1	547745	314021	1	60" DECK CRATED
	2	798694	798694	1	RUBBER CHUTE ASSEMBLY
	3	052860	052860	8	CS .375-16 X 1.25 HX G5
	4	767954	767954	39	FW .406 X .812 X .060 SAE HD ZN
	5	086660	086660	27	NT .375-16 HX LK NY
	6	103010	103010	1	DISCHARGE CHUTE MOUNT BRACKET
	7	781708	N/A	6	CS .500-13 X 4.25 HX G5 ZN
	8	767962	N/A	12	FW .531 X 1.063 X .090 SAE HD ZN
	9	031997	N/A	6	ANTI-SCALP WHEEL
	10	053199	N/A	6	NT .500-13 HX JAM ZN
	11	781567	781567	6	NT .50-13 HX LK NY
	12	808485	808485	4	5/16-18 THREAD RIVET NUT
	13	103184	103184	2	REAR ANTI-SCALP BRACKET
	14	005116	005116	4	CS .375-16 X 1.375 HX G5 ZNYC
	15	314104	314104	1	PUSHER
	16	015495	015495	2	STRAIGHT GREASE FITTING
	17	025395	025395	15	CB .375-16 X 1.00 STD CD
	18	102764	102764	2	60" AIR FLOW FLOOR
	19	808493	808493	2	3/8-16 THREAD RIVET NUT
	20	070037	070037	1	FW .530X 1.06X.19 HRD Z
	21	750414	750414	1	SB .500X .500 SH .375-1
	22	767962	767962	1	FW .531X 1.063X.090 SAE
	23	054502	054502	1	NT .375-16 HX GRD 5 ZNYC
	24	104398	104398	1	60" XR7 LS BLOWOUT
	25	104380	104380	1	60" XR7 RS BLOWOUT
<b>2</b>		788166	788166	4	ANTI SCALP WHEEL ASSY

### NOTES:

1. Do not torque, Item 2 (798694 Discharge Chute) must pivot freely.
2. Includes items 7, 8, 9, and 10.
3. Service part deck includes decals (see "60" Side Discharge Deck Decals" in Chapter 9 on page 9-4 for listing of decals).

# 60" Side Discharge Deck Pulley Assembly



---

## **60" Side Discharge Deck Pulley Assembly**

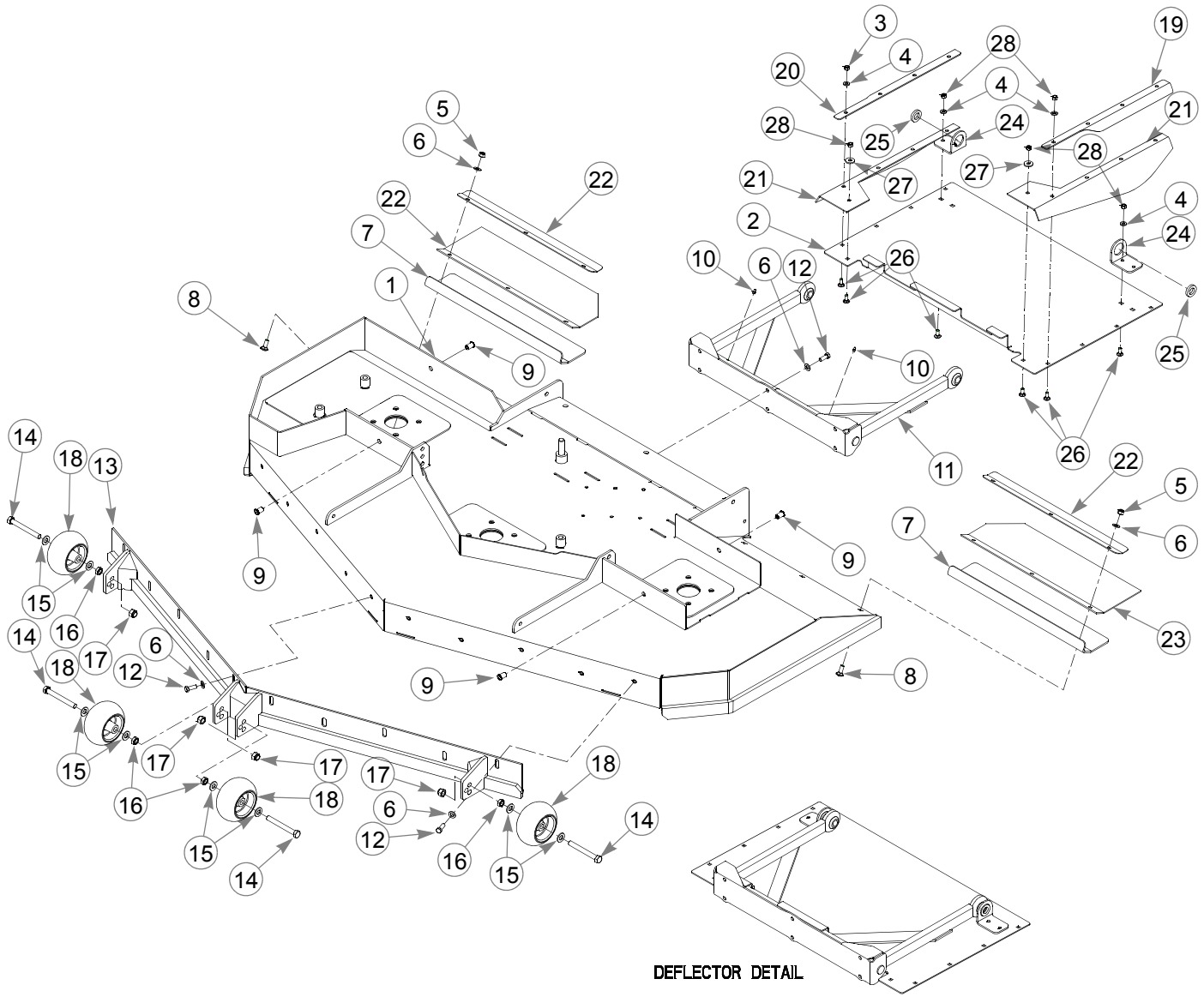
ITEM NO.	SERVICE PART NO.	MFG. PART NO.	QTY	DESCRIPTION
1	797720	797720	1	B-SECTION BELT
2	797910	797910	6	CS .312-18 X 1.50 FLT SH ZNYC
3	600171	600171	1	LS IDLER UHMW SLIDE
4	600189	600189	1	RS IDLER UHMW SLIDE
5	025007	025007	1	CS .625-11 X 1.75 HX G5 ZNYC
6	347443	347443	1	DECK BELT IDLER GUIDE
7	028118	028118	6	FW .62 X 1.00X.134 ZN
8	781856	781856	1	5.00" IDLER PULLEY
9	373191	059931	1	SIDE MOUNT CHAIN (21 LINKS)
10	781302	781302	1	IDLER SPRING
11	350884	350884	1	DECK IDLER
12	786335	786335	1	.03 THICK UHMW
13	103192	103192	1	RS 60" XR7 PULLEY COVER
14	103200	103200	1	LS 60" XR7 PULLEY COVER
15	016972	016972	3	NT .625-11 HX G5 ZNYC
16	781385	781385	3	6.00" IDLER PULLEY,
17	034280	034280	4	CS .312-18X .750 HX G5
18	016527	016527	3	CS .500-13 X 1.00 HX G5 ZN
19	752386	752386	3	CW .515X 2.25X .204 ZN
20	770842	770842	3	DECK DRIVE PULLEY
21	705954	705954	12	CS .500-13 X 1.25 HX G5 ZNYC
22	767962	767962	12	FW .531 X 1.063 X .090 SAE HD ZN
23	768523	768523	10	FW .343 X .687 X .051/.080 HD ZN
24	058776	058776	6	NT .312-18 HXZY NL
25	212472	212472	3	KEY 1/4 SQ X 1.00 LONG
26	796235	796235	3	SPINDLE HOUSING ASSEMBLY
27	794685	794685	3	BLADE, F20.50" H-F-CW
28	782474	782474	6	CW .631 2.250 X .187 PNT
29	029934	029934	3	CS .625-11 X 3.00 HX G5 ZNYC
30	783738	783738	3	CS .625-11 X 3.00 FULL HX G5 ZN

---

### **NOTES:**

1. Torque to 118 ft. lbs.
2. Torque to 65-75 ft. lbs.
3. Apply grease to zerk (see owner's manual).
4. See "60" Side Discharge Deck Belt Routing and Tensioning" in Chapter 8 on page 8-6 for belt tensioning.
5. See "Spindle Assembly-796235" in Chapter 7 on page 7-14 for breakdown.

# 72" Rear Discharge Deck Assembly



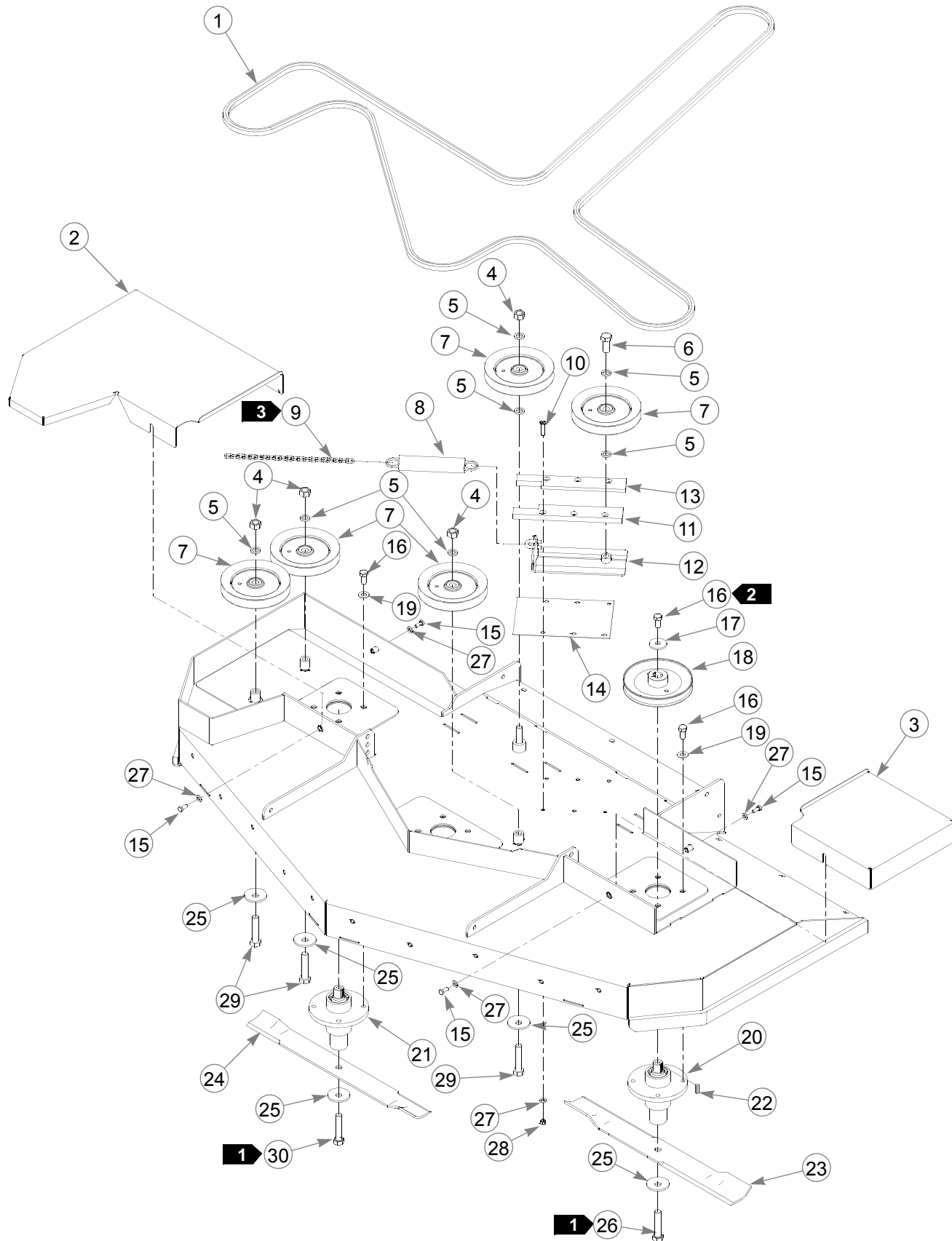
## 72" Rear Discharge Deck Assembly

INDEX NO.	SERVICE PART NO.	MFG. PART NO.	QTY.	DESCRIPTION
<b>3</b> 1	547406	101295	1	72" REAR DISCHARGE DECK
2	106781	106781	1	RD DECK GUARD
3	034280	034280	3	CS .312-18 X .750 HX G5
4	768523	768523	15	FW .343 X .687 X .051/.080 HD ZN
5	086660	086660	10	NT .375-16 HX LK NY
6	767954	767954	22	FW .406 X .812 X .060 SAE HD ZN
7	101360	101360	2	DECK STIFFENER ANGLE
8	025395	025395	6	CB .375-16 X 1.00 STD CD
9	N/A	808485	7	5/16-18 THREAD RIVET NUT
10	015495	015495	2	STRAIGHT GREASE FITTING
11	349803	349803	1	PUSHER
12	036244	036244	16	CS .375-16 X 1.00 HX G5 ZN
13	101477	101477	1	72" REAR DISCHARGE FRONT ANGLE
14	781708	N/A	4	CS .500-13 X 4.25 HX G5 ZN
15	767962	N/A	8	FW .531 X 1.063 X .090 SAE HD ZN
16	053199	N/A	4	NT .500-13 HX JAM ZN
17	781567	781567	4	NT .50-13 HXZY NL
18	031997	N/A	4	ANTI-SCALP WHEEL
19	106724	106724	1	RD DEFLECTOR CLAMP LS ANGLE
20	106666	106666	1	RD DEFLECTOR CLAMP RS ANGLE
21	600262	600262	2	RD SIDE FLAP
22	107712	107712	2	ANGLE, DISCHARGE CHUTE
23	600930	600930	2	RD REAR FLAP
24	106591	106591	2	RD DECK GUARD BRACKET
25	778399	778399	2	FW .781 X 1.375 X .250 ZNYC
26	016253	016253	14	CB .312-18 X .750 FUL ZN
27	712927	712927	2	FW .344 X 1.00 X .12 HRD ZN
28	058776	058776	14	NT .312-18 HXZY NL
<b>1</b> <b>2</b>	788166	788166	4	ANTI SCALP WHEEL ASSEMBLY

### NOTES:

1. Factory assembled in top hole for shipping purposes.
2. Includes Items 14 through 16 and 18.
3. Service part deck includes decals, see "72" and 60" Rear Discharge Deck Decals" in Chapter 9 on page 9-5.

# 72" Rear Discharge Deck Pulley Assembly



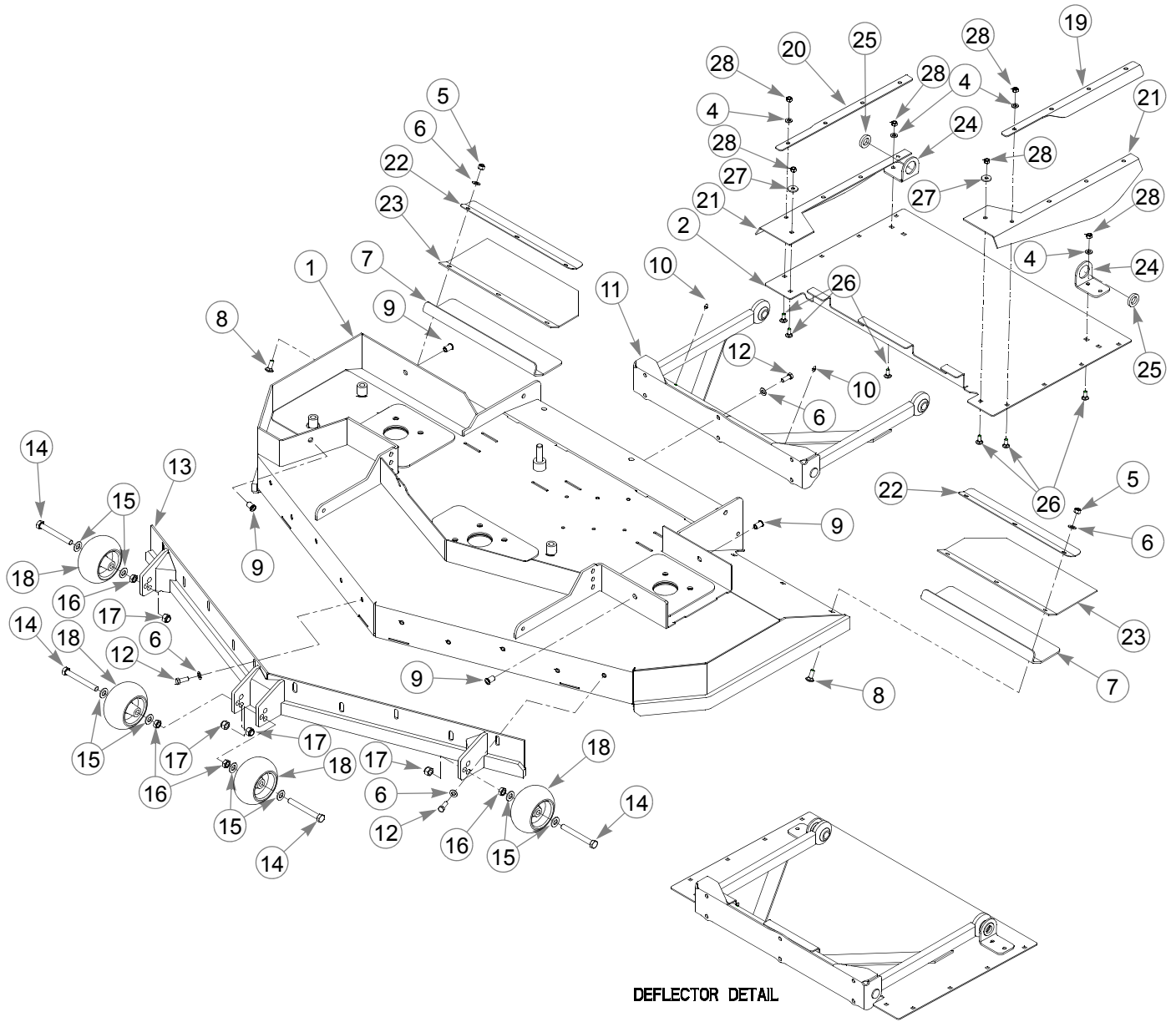
## **72" Rear Discharge Deck Pulley Assembly**

INDEX NO.	SERVICE PART NO.	MFG. PART NO.	QTY.	DESCRIPTION
1	797167	797167	1	72" REAR DISCHARGE DECK BELT
2	101345	101345	1	RIGHT 72" REAR DISCHARGE PULLEY COVER
3	101352	101352	1	LEFT 72" REAR DISCHARGE PULLEY COVER
4	016972	016972	4	NT .625-11 HX G5 ZNYC
5	028118	028118	7	FW .62 X 1.00 X .134 ZN
6	794446	794446	1	CS .625-11X1.500 HX G5
7	796714	796714	5	6" HB IDLER PULLEY RD
8	781302	781302	1	IDLER SPRING
9	373191	059931	1	SIDE MOUNT CHAIN (21 LINKS)
10	797910	797910	6	CS .312-18X1.50FLT SH ZY
11	600171	600171	1	IDLER, SLIDE UHMW LS
12	350884	350884	1	REAR DISCHARGE DECK IDLER
13	600189	600189	1	IDLER, SLIDE UHMW RS
14	786335	786335	1	.03 THICK UHMW
15	034280	034280	4	CS .312-18 X .750 HX G5
16	016527	016527	15	CS .500-13 X 1.00 HX G5 ZN
17	752386	752386	3	FW .510 X 1.75 X .18 ZN
18	538850	538850	3	DRIVE PULLEY DB-112
19	767962	767962	12	FW .531 X 1.063 X .090 SAE HD ZN
20	796235	796235	2	DECK SPINDLE ASSY
21	796680	796680	1	REAR DISCHARGE DECK SPINDLE ASSEMBLY
22	212472	212472	3	KEY 1/4 SQ X 1.00 LONG
23	796839	796839	2	BLADE, F23.86-L-F-CW
24	796508	796508	1	BLADE, F23.86-L-F-CCW
25	782474	782474	6	CW .631 X 2.250 X .187 PNT
26	029934	029934	2	CS .625-11 X 3.00 HX G5 ZNYC
27	768523	768523	8	FW .343 X .687 X .051/.080 HD ZN
28	058776	058776	4	NT .312-18 HXZY NL
29	783738	783738	3	CS .625-11X3.00 FULL HX G5 ZN
30	796722	796722	1	CS .625-11 X 3.00 LH HX G

### **NOTES:**

1. Torque to 118 ft. lbs.
2. Torque to 65-75 ft. lbs.
3. See "72" and 60" Rear Discharge Deck Decals" in Chapter 9 on page 9-5 for belt tensioning.
4. See "Spindle Assembly-796235" in Chapter 7 on page 7-14 for breakdown.
5. See "Spindle Assembly-796680" in Chapter 7 on page 7-15 for breakdown.

# **60" Rear Discharge Deck Assembly**





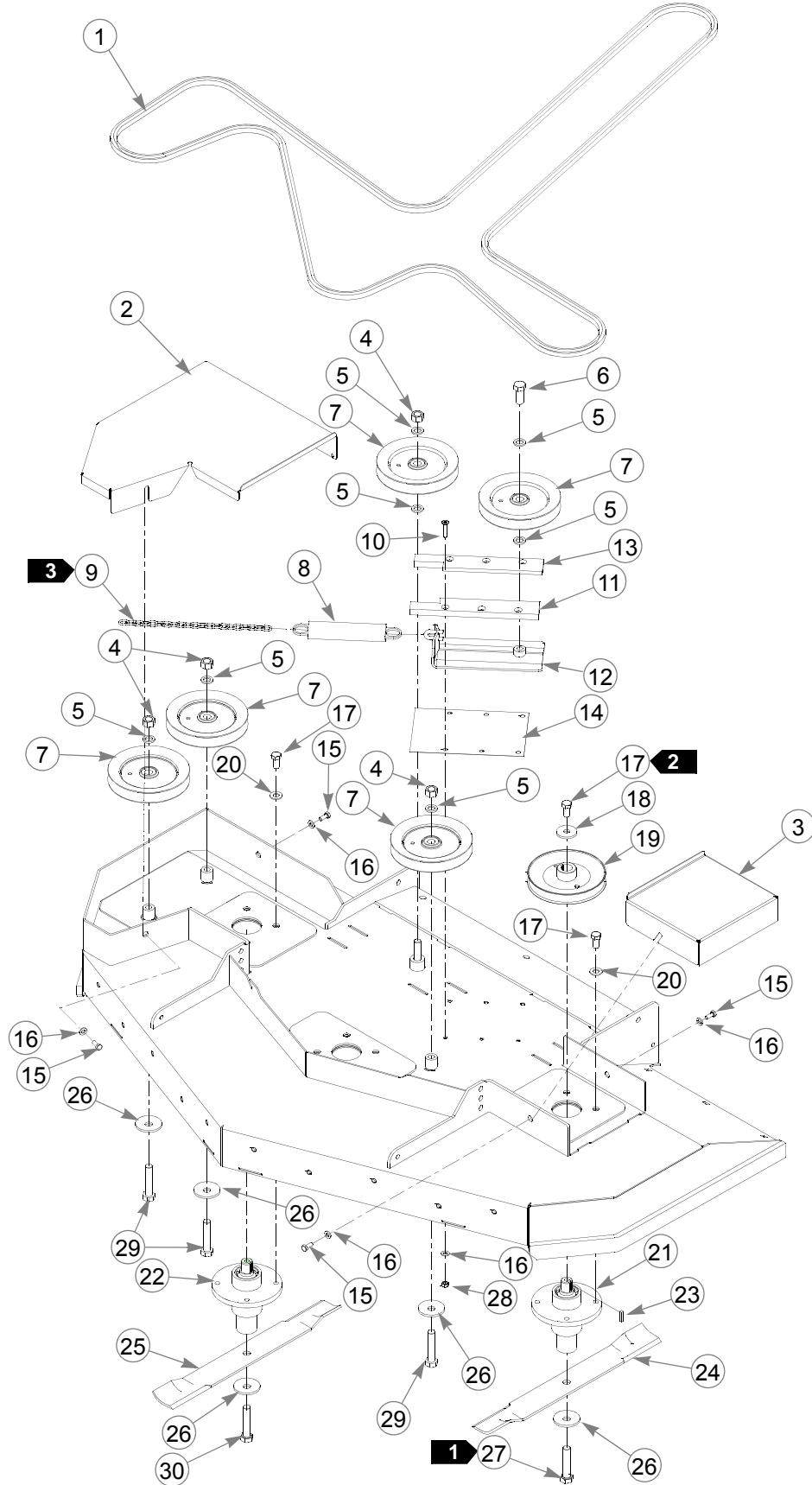
## 60" Rear Discharge Deck Assembly

INDE X NO.	SERVICE PART NO.	MFG. PART NO.	QTY.	DESCRIPTION
<b>3</b> 1	547398	351395	1	60" REAR DISCHARGE DECK
2	106781	106781	1	RD DECK GUARD
3	034280	034280	3	CS .312-18 X .750 HX G5
4	768523	768523	15	FW .343 X .687 X .051/.080 HD ZN
5	086660	086660	10	NT .375-16 HX LK NY
6	767954	767954	22	FW .406 X .812 X .060 SAE HD ZN
7	351676	351676	2	DECK STIFFENER ANGLE
8	025395	025395	6	CB .375-16 X 1.00 STD CD
9	N/A	808485	7	5/16-18 THREAD RIVET NUT
10	015495	015495	2	STRAIGHT GREASE FITTING
11	349803	349803	1	PUSHER
12	036244	036244	16	CS .375-16 X 1.00 HX G5 ZN
13	352591	352591	1	60" REAR DISCHARGE FRONT ANGLE
14	781708	N/A	4	CS .500-13 X 4.25 HX G5 ZN
15	767962	N/A	8	FW .531 X 1.063 X .090 SAE HD ZN
16	053199	N/A	4	NT .500-13 HX JAM ZN
17	781567	781567	4	NT .50-13 HXZY NL
18	031997	N/A	4	ANTI-SCALP WHEEL
19	106724	106724	1	RD DEFLECTOR CLAMP LS ANGLE
20	106666	106666	1	RD DEFLECTOR CLAMP RS ANGLE
21	600262	600262	2	RD SIDE FLAP
22	106716	106716	2	ANGLE, DISCHARGE CHUTE
23	600254	600254	2	RD REAR FLAP
24	106591	106591	2	RD DECK GUARD BRACKET
25	778399	778399	2	FW .781 X 1.375 X .250 ZNYC
26	016253	016253	14	CB .312-18 X .750 FUL ZN
27	712927	712927	2	FW .344 X 1.00 X .12 HRD ZN
28	058776	058776	14	NT .312-18 HXZY NL
<b>1</b> <b>2</b>	788166	788166	4	ANTI SCALP WHEEL ASSEMBLY

### NOTES:

1. Factory assembled in top hole for shipping purposes.
2. Includes Items 14 through 16 and 18.
3. Service part deck includes decals, see "72" and 60" Rear Discharge Deck Decals" in Chapter 9 on page 9-5.

# 60" Rear Discharge Deck Pulley Assembly



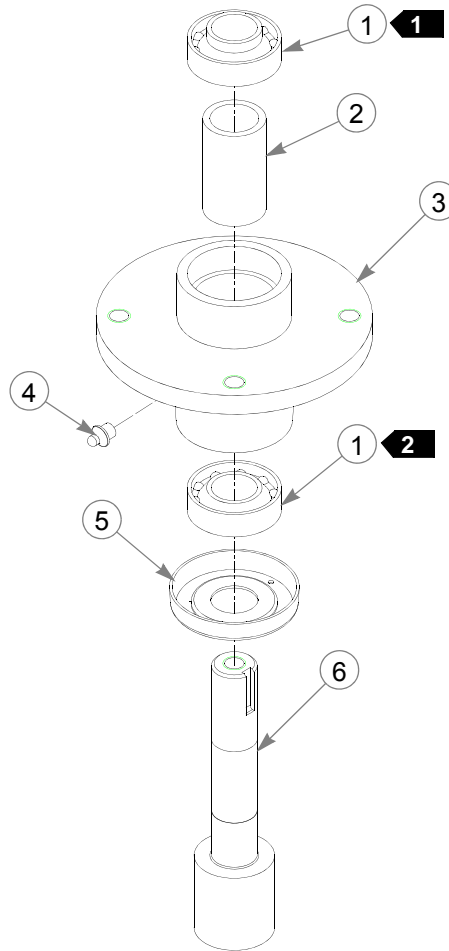
## 60" Rear Discharge Deck Pulley Assembly

INDEX NO.	SERVICE PART NO.	MFG. PART NO.	QTY.	DESCRIPTION
1	795781	795781	1	60" REAR DISCHARGE DECK BELT
2	351924	351924	1	RIGHT 60" REAR DISCHARGE PULLEY COVER
3	351932	351932	1	LEFT 60" REAR DISCHARGE PULLEY COVER
4	016972	016972	4	NT .625-11 HX G5 ZNYC
5	028118	028118	7	FW .62 X 1.00 X .134 ZN
6	794446	794446	1	CS .625-11X1.500 HX G5
7	796714	796714	5	6" HB IDLER PULLEY RD
8	781302	781302	1	IDLER SPRING
9	373191	059931	1	SIDE MOUNT CHAIN (21 LINKS)
10	797910	797910	6	CS .312-18X1.50FLT SH ZY
11	600171	600171	1	IDLER, SLIDE UHMW LS
12	350884	350884	1	REAR DISCHARGE DECK IDLER
13	600189	600189	1	IDLER, SLIDE UHMW RS
14	786335	786335	1	.03 THICK UHMW
15	034280	034280	4	CS .312-18 X .750 HX G5
16	768523	768523	8	FW .343 X .687 X .051/.080 HD ZN
17	016527	016527	15	CS .500-13 X 1.00 HX G5 ZN
18	752386	752386	3	CW .515X 2.25X .204 ZN
<b>4</b>	781328	781328	3	B-SECTION 6.10 PULLEY
20	767962	767962	12	FW .531 X 1.063 X .090 SAE HD ZN
<b>5</b>	796235	796235	2	DECK SPINDLE ASSY
22	796680	796680	1	REAR DISCHARGE DECK SPINDLE ASSEMBLY
23	212472	212472	3	KEY 1/4 SQ X 1.00 LONG
24	600901	600901	2	BLADE, F20.50"-L-F-CW
25	795633	795633	1	BLADE, F20.50"-L-F-CCW
26	782474	782474	6	CW .631 X 2.250 X .187 PNT
27	029934	029934	2	CS .625-11 X 3.00 HX G5 ZNYC
28	058776	058776	4	NT .312-18 HXZY NL
29	783738	783738	3	CS .625-11X3.00 FULL HX G5 ZN
30	796722	796722	1	CS .625-11 X 3.00 LH HX G

### NOTES:

1. Torque to 160 N-m.
2. Torque to 88.1-101.7N-m.
3. See "60" Side Discharge Deck Belt Routing and Tensioning" in Chapter 8 on page 8-6 for belt tensioning.
4. See "Spindle Assembly-796235" in Chapter 7 on page 7-14 for breakdown.
5. See "Spindle Assembly-796680" in Chapter 7 on page 7-15 for breakdown.

# Spindle Assembly-796235

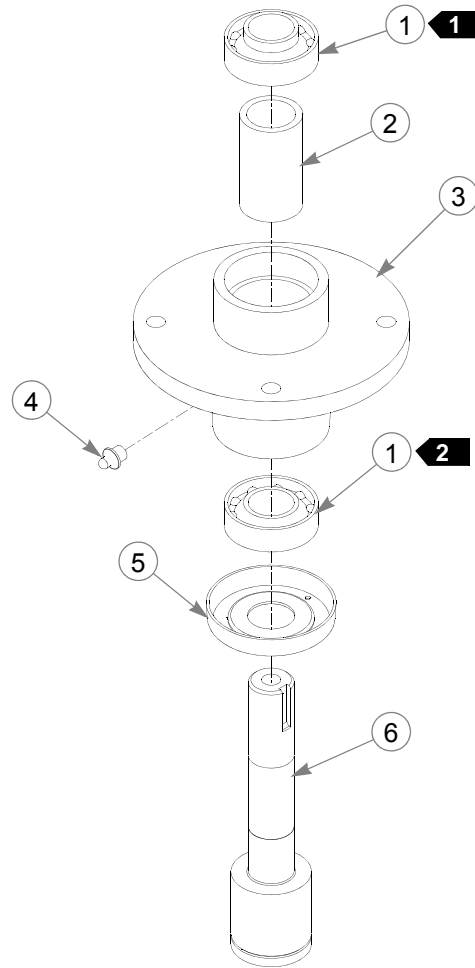


INDEX NO.	SERVICE PART NO.	MFG. PART NO.	QTY.	DESCRIPTION
1	077123	N/A	2	BEARING W/O COLLAR
2	766204	N/A	1	BLADE SPINDLE BUSHING
3	034843	N/A	1	CAST SPINDLE HOUSING
4	012005	N/A	1	GREASE FITTING
5	600893	N/A	1	BEARING DUST COVER
6	796227	N/A	1	SADDLELESS SPINDLE SHAFT

### NOTES:

1. Install upper bearing with extended inner race up.
2. Install lower bearing with extended inner race down.

## Spindle Assembly-796680



INDEX NO.	SERVICE PART NO.	MFG. PART NO.	QTY.	DESCRIPTION
1	077123	N/A	2	BEARING W/O COLLAR
2	766204	N/A	1	BLADE SPINDLE BUSHING
3	034843	N/A	1	CAST SPINDLE HOUSING
4	012005	N/A	1	GREASE FITTING
5	600893	N/A	1	BEARING DUST COVER
6	796698	N/A	1	SPINDLE SHAFT

### NOTES:

1. Install upper bearing with extended inner race up.
2. Install lower bearing with extended inner race down.

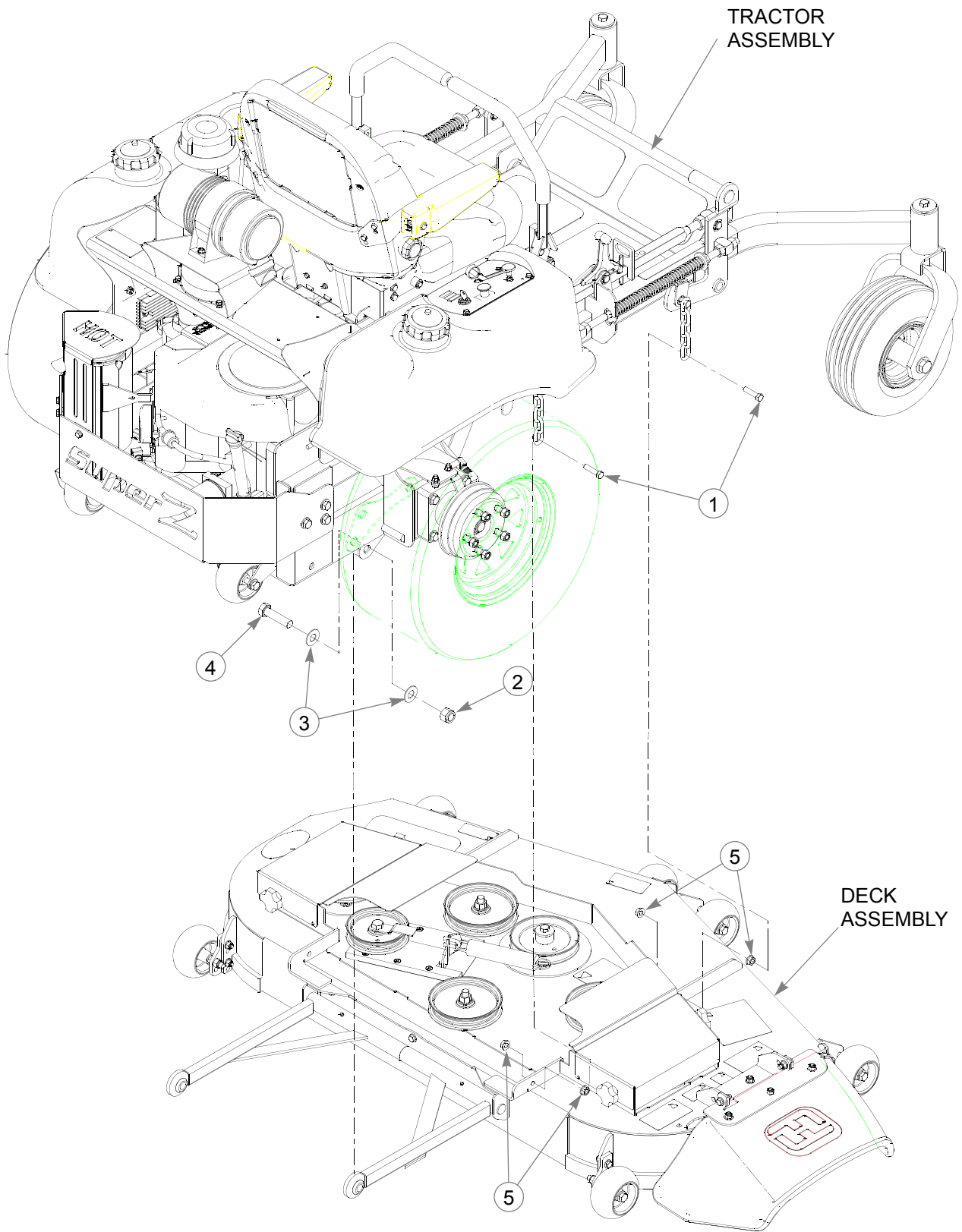


---

## Chapter 8 Contents

Deck Installation–Side Discharge . . . . .	8-2
Deck Installation–Rear Discharge . . . . .	8-4
60" Side Discharge Deck Belt Routing and Tensioning . . . . .	8-6
72" and 60" Rear Discharge Deck Belt Routing and Tensioning . . . . .	8-7
Seat Installation . . . . .	8-8

# Deck Installation—Side Discharge





---

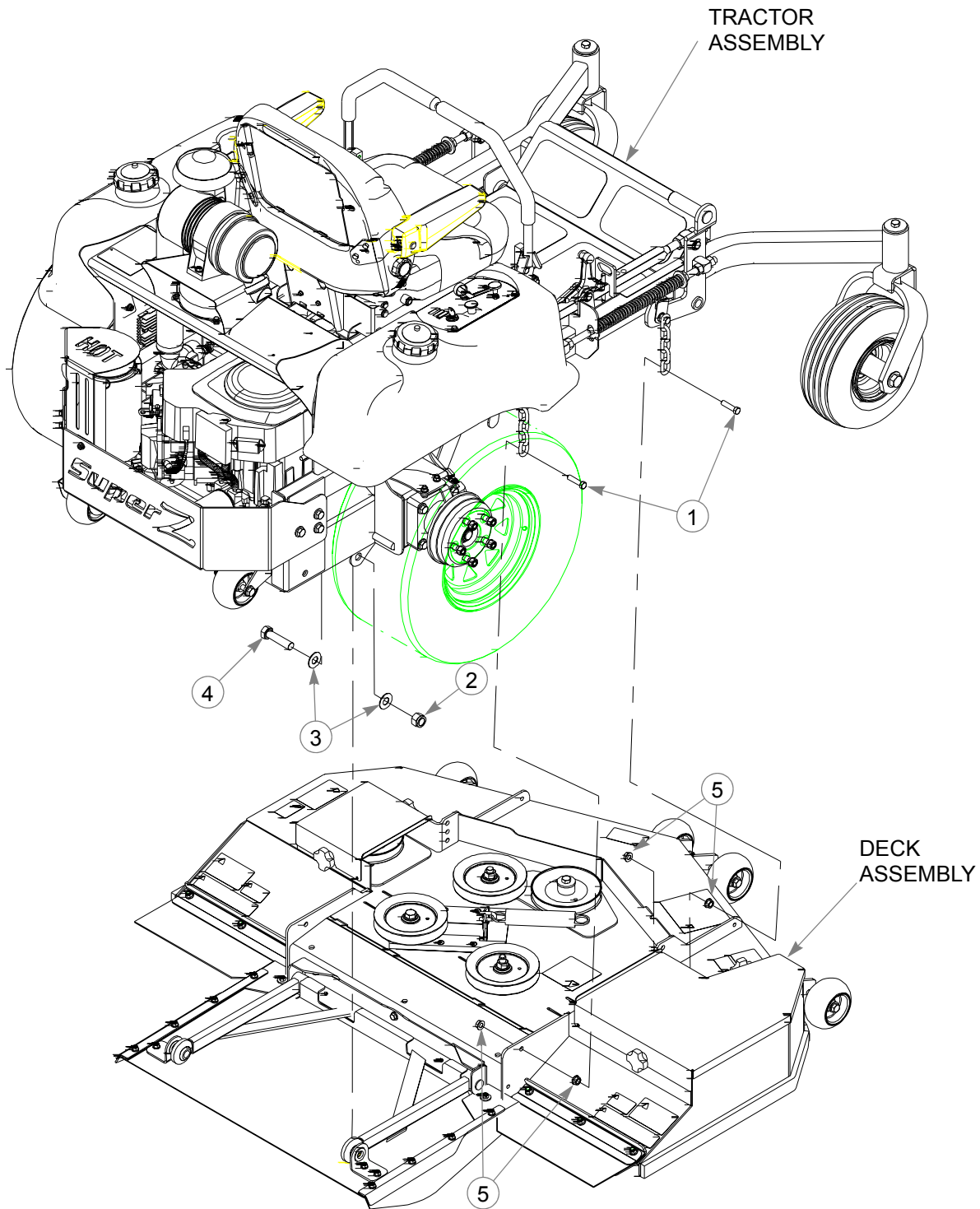
## **Deck Installation–Side Discharge**

<b>ITEM NO.</b>	<b>SERVICE PART NO.</b>	<b>MFG. PART NO.</b>	<b>QTY</b>	<b>DESCRIPTION</b>
1	055749	055749	4	CS .437-14 X 1.750 HX G5 ZN
2	061101	061101	2	NT .750-10 HX NL ZN
3	025296	025296	4	FW .760 X 1.625 X.08 ZN
4	051169	051169	2	CS .750-10 X 3.000 HX G5 ZN
5	704643	704643	8	NT .437-14 HX FLG ZN

---

**NOTES:**

# Deck Installation—Rear Discharge



---

## **Deck Installation–Rear Discharge**

<b>ITEM NO.</b>	<b>SERVICE PART NO.</b>	<b>MFG. PART NO.</b>	<b>QTY</b>	<b>DESCRIPTION</b>
1	055749	055749	4	CS .437-14 X 1.750 HX G5 ZN
2	061101	061101	2	NT .750-10 HX NL ZN
3	025296	025296	4	FW .760 X 1.625 X.08 ZN
4	051169	051169	2	CS .750-10 X 3.000 HX G5 ZN
5	704643	704643	8	NT .437-14 HX FLG ZN

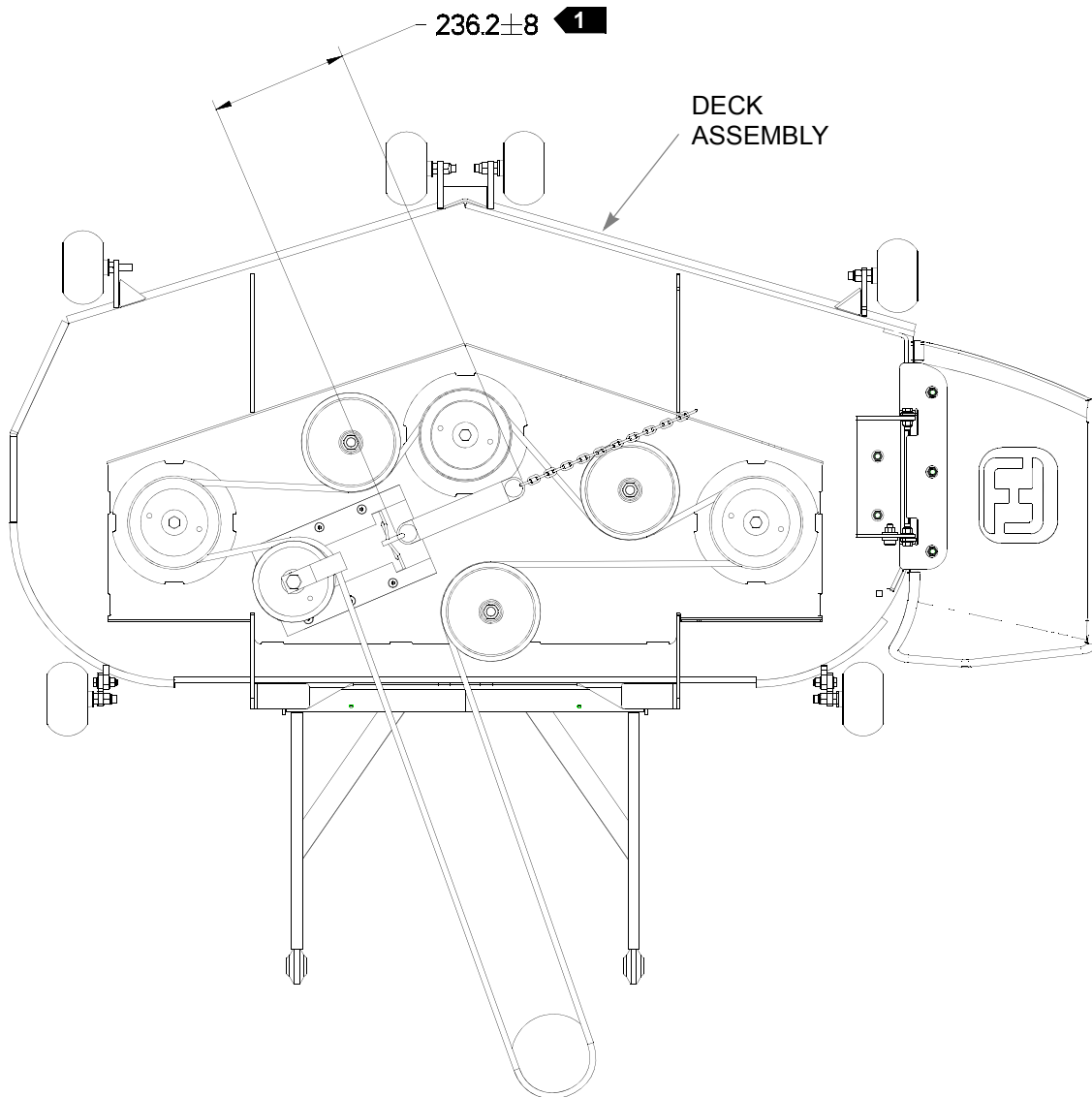
---

### **NOTES:**

1. Install front deck hanger chains in lower holes only.

---

## ***60" Side Discharge Deck Belt Routing and Tensioning***

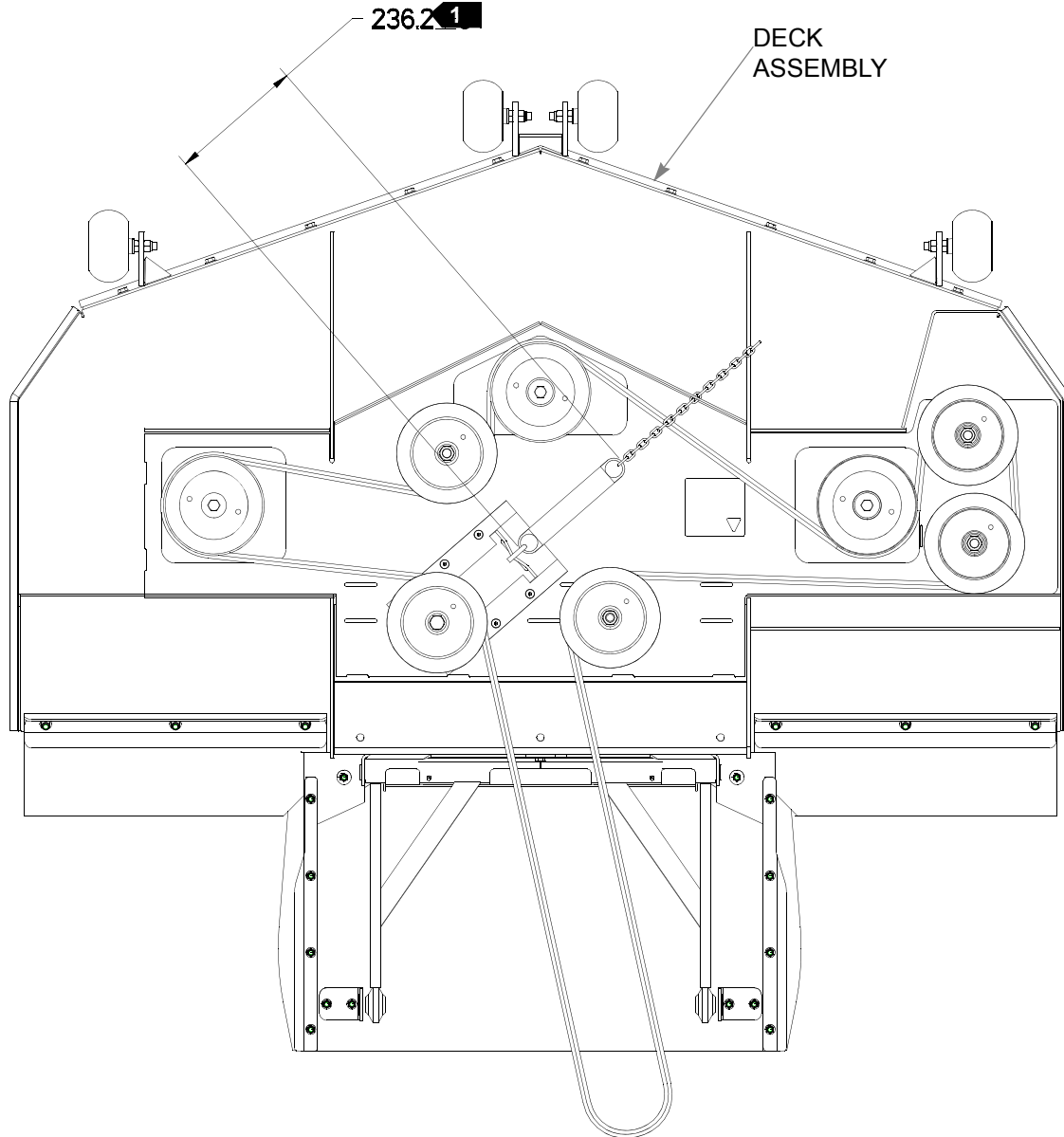


---

### **NOTES:**

1. Spring length after tensioning belt. Measure spring from outside of hook to outside of hook.
2. Route belt as shown.

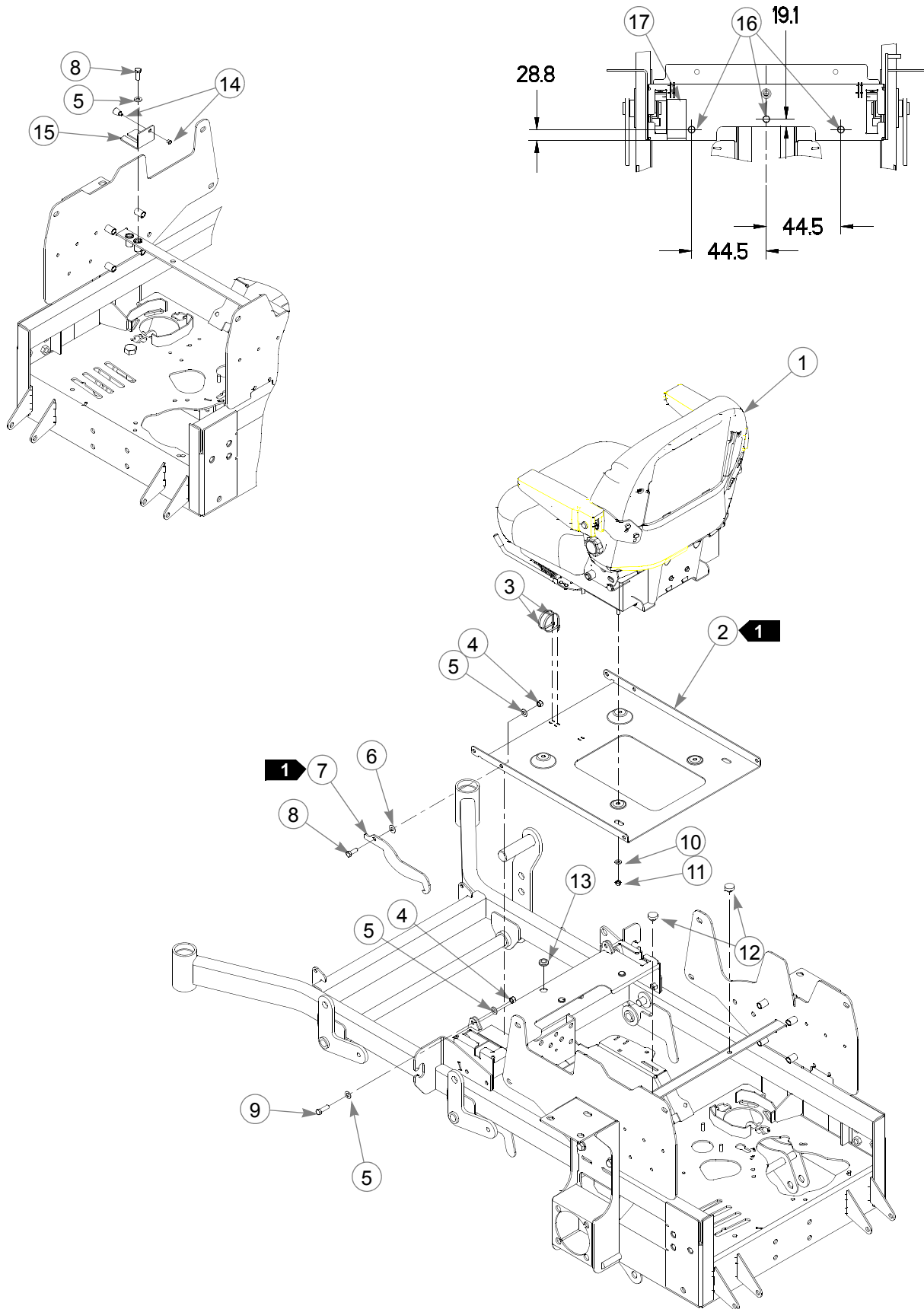
## **72" & 60" Rear Discharge Deck Belt Routing and Tensioning**



### **NOTES:**

1. Spring length after tensioning belt. Measure spring from outside of hook to outside of hook.
2. Route belt as shown.

# Seat Installation



---

## **Seat Installation**

<b>INDEX NO.</b>	<b>SERVICES PART NO.</b>	<b>MFG. PART NO.</b>	<b>QTY</b>	<b>DESCRIPTION</b>
1	792051	792051	1	MICHIGAN SUSPENSION SEAT
2	350041	350041	1	SEAT PAN
3	000331	000331	2	BLACK CABLE TIE
4	086660	086660	3	NT .375-16 HX LK NY
5	767954	767954	7	FW .406 X .812 X .060 SAE HD ZN
6	724716	724716	1	FIBER WASHER
7	350421	350421	1	SEAT PAN STOP
8	036244	036244	3	CS .375-16 X 1.000 HX G5 ZN
9	052860	052860	2	CS .375-16 X1.250 HX G5 ZN
10	768523	768523	4	FW .343 X .687 X .051/.080 HD ZN/Y
11	034272	034272	4	NT .312-18 HX G5 ZN
12	781880	781880	2	BUMPER
13	080358	080358	1	GM .50 X 1.00 X .75 X .12 GROMMET
14	748756	748756	1	LATCH SPRING PLUNGER
15	350462	350462	1	SEAT LATCH BRACKET
16	781617	781617	3	RUBBER BUMPER
17	722199	722199	1	2" WIDE SCOTCH POLYURETHANE 5.55" LONG

---

### **NOTES:**

1. Must pivot freely.
2. Service parts available for Michigan Suspension seat;

<b><u>PART NO.</u></b>	<b><u>DESCRIPTION</u></b>
793315	SEAT SWITCH
793307	SLIDE KIT
793323	KNOB KIT
793265	ONE ARMREST (SQUARE STYLE W/O BRACKET)
797480	ONE ARMREST (ROUND STYLY W/O BRACKET)
793273	ARMREST STOP ASSY
793281	BACK CUSHION KIT
793299	SEAT CUSHION KIT
797571	SEAT BACK



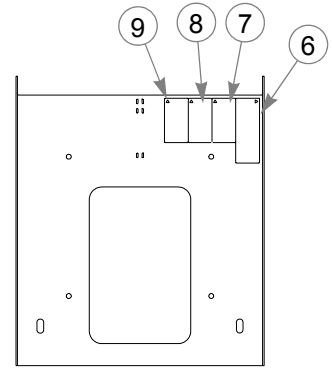
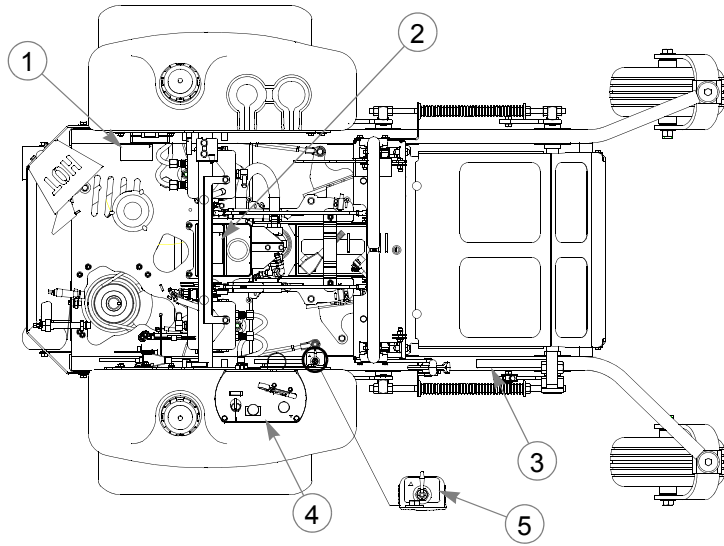


---

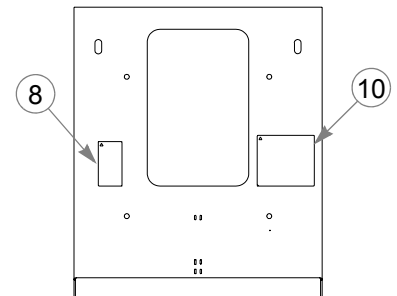
## Chapter 9 Contents

Tractor Decals . . . . .	9-2
60" Side Discharge Deck Decals . . . . .	9-4
72" and 60" Rear Discharge Deck Decals . . . . .	9-5

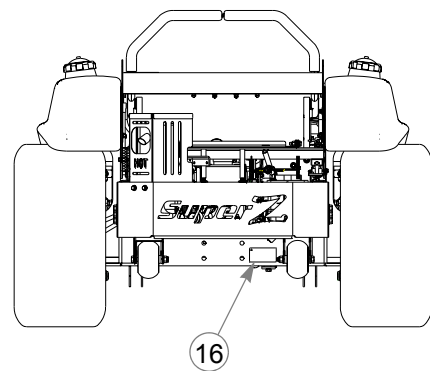
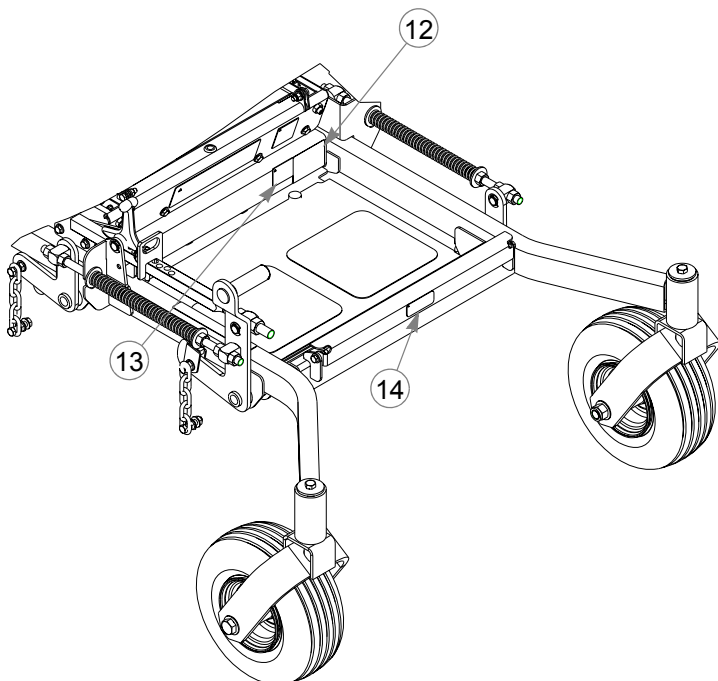
# Tractor Decals



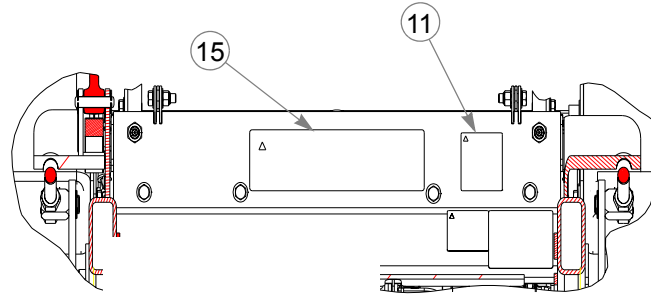
TOP OF SEAT PAN



BOTTOM OF SEAT PAN



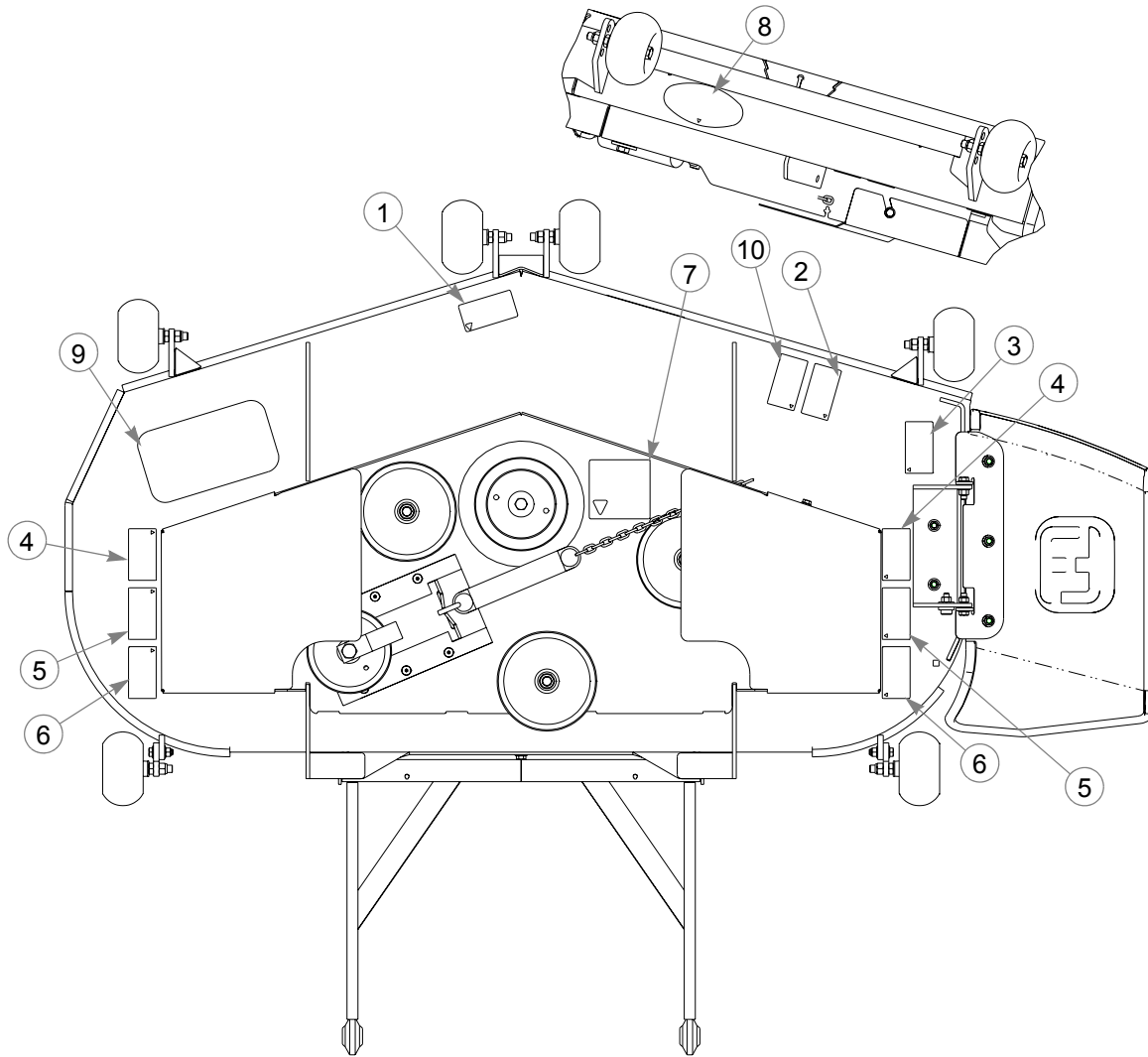
# Tractor Decals



INDEX NO.	SERVICE PART NO.	MFG. PART NO.	QTY.	DESCRIPTION
1	727008CE	727008CE	1	HYDRAULIC FLUID DECAL - CE
2	779280CE	779280CE	1	HOT DECAL - CE
3	781427CE	781427CE	1	DECK HEIGHT INDICATOR DECAL
4	784702CE	784702CE	1	INSTRUMENT PANEL DECAL - CE
5	791830	791830	1	FUEL INDICATOR DECAL
6	789727CE	789727CE	1	EYE/EAR/FOOT PROTECTION DECAL
7	777029CE	777029CE	1	MAXIMUM ANGLE CE DECAL
8	789719CE	789719CE	2	READ SERVICE MANUAL DECAL - CE
9	789701CE	789701CE	1	READ OWNER'S MANUAL DECAL - CE
10	727016CE	727016CE	1	BATTERY DECAL - CE
11	789776CE	789776CE	1	DBA DECAL - CE
12	N/A	083279	1	TURF PROD SERIAL NO PLATE
13	776310	776310	1	CE MARK DECAL
14	793588	793588	1	HUSTLER NAME PLATE
15	782615	782615	1	SUPER Z ID DECAL
16	771436CE	771436CE	1	STABILIZER ROLLERS DECAL - CE

## NOTES:

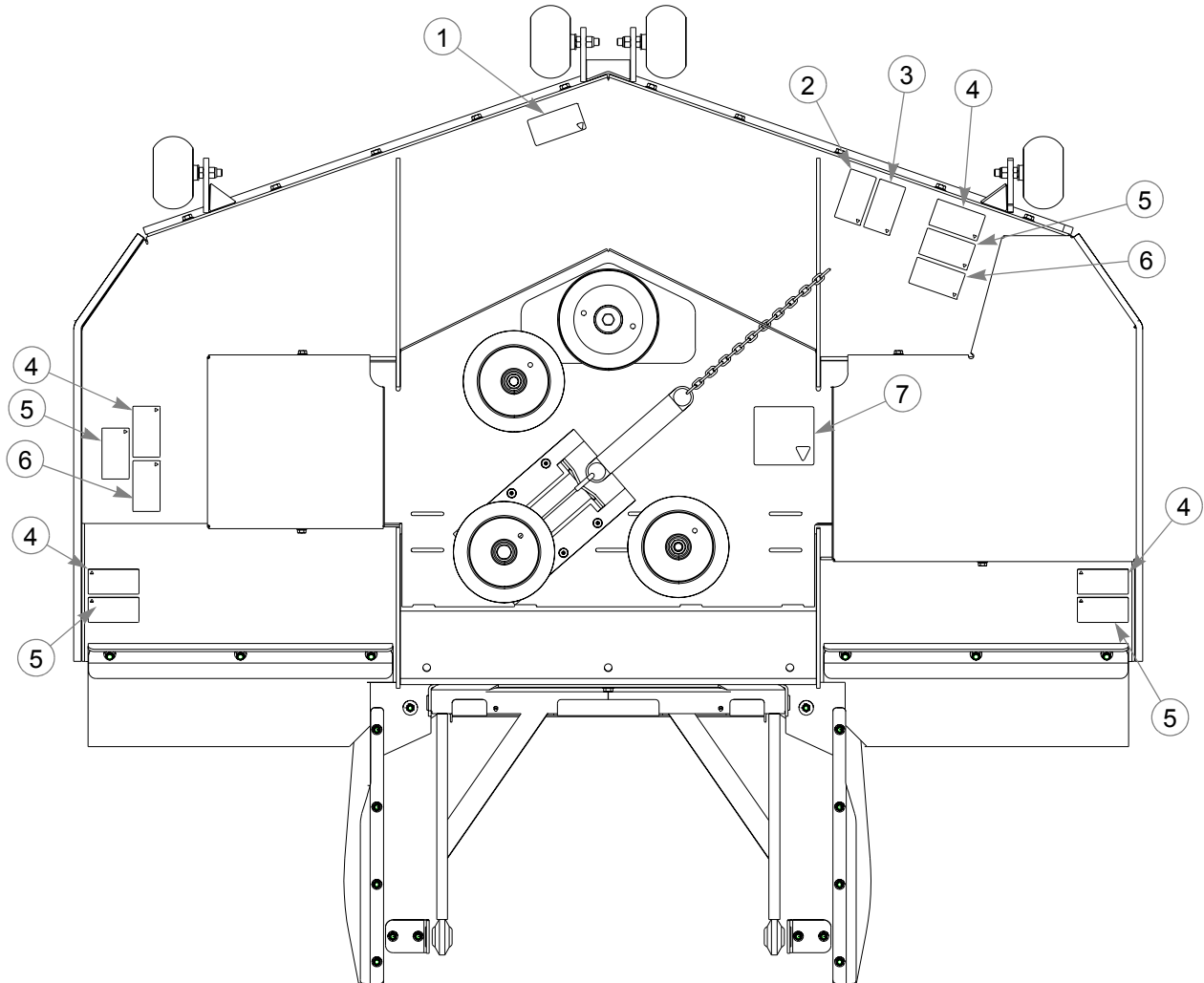
# **60" Side Discharge Deck Decals**



INDEX NO.	SERVICE PART NO.	MFG. PART NO.	QTY.	DESCRIPTION
1	786277	786277	1	60" SIDE DISCHARGE DECK ID DECAL
2	789701CE	789701CE	1	READ OWNER'S MANUAL DECAL
3	727420CE	727420CE	1	DISCHARGE CHUTE DECAL - CE
4	789685CE	789685CE	2	THROWN OBJECT DECAL
5	727453CE	727453CE	2	DECK COVER, DECAL - CE
6	727438CE	727438CE	2	FINGERS AND TOES DECAL
7	799395	799395	1	BELT ROUTING DECAL
8	799353	799353	1	DECK XR7 ID DECAL
9	359547	359547	1	STEP TREAD 5.00 X 9.00
10	789719CE	789719CE	1	READ SERVICE MANUAL DECAL

## **NOTES:**

## 72" and 60" Rear Discharge Deck Decals



INDEX NO.	SERVICE PART NO.	MFG. PART NO.	QTY.	DESCRIPTION
1	786285	786285	1	72" SIDE DISCHARGE DECK ID DECAL
	786277	786277	1	60" SIDE DISCHARGE DECK ID DECAL
2	789701CE	789701CE	1	READ OWNER'S MANUAL DECAL
3	789719CE	789719CE	1	READ SERVICE MANUAL DECAL
4	789685CE	789685CE	4	THROWN OBJECT DECAL
5	727438CE	727438CE	4	FINGERS AND TOES DECAL
6	727453CE	727453CE	2	CE DECK COVER DECAL
7	796953	796953	1	REAR DISCHARGE DECK ROUTING DECAL

### NOTES:



---

**NOTES:**





# Numerical Index

Part No.	Page No.	Part No.	Page No.	Part No.	Page No.
<b>Index</b>					
<b>Part Numbers</b>					
000323	5-7, 5-9	051169	8-3, 8-5	212472	7-5, 7-9, 7-13
000331	5-7, 5-9, 8-9	052860	2-4, 7-3, 8-9	263517	6-3
000398	5-7	053199	4-7, 7-3, 7-7, 7-11	305615	2-4
005116	4-7, 7-3	054502	4-7, 7-3	314021	7-3
008193	3-3, 4-11	055749	4-5, 8-3, 8-5	314104	7-3
008573	3-3	055822	4-7, 5-7, 5-9	344267	6-3
012005	7-14, 7-15	055939	4-3, 5-3	347443	7-5
015495	4-5, 4-11, 7-3, 7-7, 7-11	055947	3-3, 5-11	347684	4-7
015511	6-4, 6-5	057661	5-3	347989	5-7, 5-9
015818	5-7, 5-9	058776	4-3, 5-3, 7-5, 7-7, 7-9, 7-11, 7-13	348284	4-5
016253	7-7, 7-11	059832	4-7, 5-11	348318	4-5
016527	4-11, 5-3, 5-7, 7-5, 7-9, 7-13	059931	7-5, 7-9, 7-13	348391	4-5
016899	5-3	061077	6-6	348417	4-3
016972	7-5, 7-9, 7-13	061101	4-11, 6-3, 8-3, 8-5	348458	4-5
019521	6-4, 6-6	063198	4-7	348714	4-7
024927	4-3	068239	6-7	348755	4-7
025007	7-5	068478	1-1	348797	4-7
025296	4-11, 6-3, 8-3, 8-5	068551	3-3, 4-7	348862	4-7
025395	7-3, 7-7, 7-11	070037	7-3	348888	4-7
026237	5-11	077123	7-14, 7-15	348946	4-7
027912	1-1, 3-3	080358	8-9	348987	4-7
027920	1-1	083196	4-11	349266	6-3
028118	4-11, 7-5, 7-9, 7-13	083279	9-3	349308	5-11
029751	5-3	086660	2-4, 4-7, 7-3, 7-7, 7-11, 8-9	349761	4-11
029868	4-3	100412	2-2	349803	7-7, 7-11
029876	5-3	101295	7-7	349944	5-7
029934	7-5, 7-9, 7-13	101345	7-9	350041	8-9
031997	6-7, 7-3, 7-7, 7-11	101352	7-9	350264	4-7
032763	3-3	101360	7-7	350330	4-7
032771	3-3	101477	7-7	350397	4-7
033035	3-3	101808	2-2	350421	8-9
034272	3-3, 4-3, 4-5, 4-7, 4-11, 5-3, 8-9	102707	5-11	350462	8-9
034280	5-3, 7-5, 7-7, 7-9, 7-11, 7-13	102764	7-3	350884	7-5, 7-9, 7-13
034843	7-14, 7-15	103010	7-3	351395	7-11
036236	4-7, 4-11, 5-3	103184	7-3	351676	7-11
036244	4-7, 5-7, 5-9, 7-7, 7-11, 8-9	103192	7-5	351924	7-13
039677	6-4, 6-5	103200	7-5	351932	7-13
041152	4-7	103531	2-2	352278	2-2
041475	6-3	103952	2-2	352591	7-11
044818	5-3	104380	7-3	354035	4-7
045088	5-7, 5-9	104398	7-3	356121	5-3
045765	6-3	106591	7-7, 7-11	357616	3-3
045898	5-11	106666	7-7, 7-11	357780	5-3
047654	5-3	106716	7-11	359547	2-4, 9-4
048876	4-7	106724	7-7, 7-11	366765	4-11
050161	5-3	106732	5-9	373191	7-5, 7-9, 7-13
		106781	7-7, 7-11	377994	5-3
		107616	2-2	380691	5-3
		107712	7-7	382168	5-3
		212076	4-11	387035	6-3
				395533	2-4
				538850	7-9

Part No.	Page No.	Part No.	Page No.	Part No.	Page No.
547398	7-11	756270	4-5	782441	3-3
547406	7-7	762195	5-11	782458	3-3
547745	7-3	763318	5-4	782466	4-11
547752	2-2	765339	4-7	782474	7-5, 7-9, 7-13
547760	2-2	766204	7-14, 7-15	782615	9-3
547950	2-3	767954	2-4, 4-7, 5-7, 5-9, 7-3, 7-7, 7-11, 8-9	782763	5-3
547968	2-3			782771	6-4, 6-5
547984	2-2	767962	3-3, 4-11, 5-3, 5-7, 5-9, 6-7, 7-3, 7-5, 7-7, 7-9, 7-11, 7-13	782870	3-3
547992	2-2			782880	3-3
548016	2-2			782953	4-7
548024	2-2	768515	3-3, 4-7, 5-3, 5-11	782979	4-7
600171	7-5, 7-9, 7-13	768523	3-3, 4-3, 4-7, 4-11, 5-3, 7-5, 7-7, 7-9, 7-11, 7-13, 8-9	782995	4-5
600189	7-5, 7-9, 7-13			783001	4-5
600221	4-7			783118	4-7, 4-8
600254	7-11	769166	5-11	783126	4-7, 4-8
600262	7-7, 7-11	770842	7-5	783696	4-7
600437	4-5	771428	4-3	783704	3-3
600630	7-7	771436CE	9-3	783712	4-11
600876	1-1	776310	9-3	783720	3-3
600893	7-14, 7-15	776476	5-11	783738	7-5, 7-9, 7-13
600901	7-13	777029CE	9-3	783761	4-11
600961	2-3	778365	5-11	783829	4-11
601085	6-6	778399	7-7, 7-11	783837	5-3
700484	3-3	778738	5-3	783845	4-7
704163	4-7	779280CE	9-3	783852	4-7
704643	4-5, 8-3, 8-5	779306	5-9	783928	3-3
704932	5-11	779850	4-3	783936	1-1, 3-3
705137	5-3	781153	4-7	783985	3-3
705178	4-7	781211	4-7	783993	3-3
705608	3-3	781229	4-5	784025	3-3
705954	5-9, 6-3, 7-5	781237	6-6	784058	6-6
712257	5-11	781245	6-6	784066	6-6
712919	5-9	781252	6-6	784082	3-3
712927	4-7, 7-7, 7-11	781260	4-7	784108	3-3
713198	3-3	781286	4-7	784116	3-3
714998	5-11	781294	4-5	784124	3-3
722199	8-9	781302	4-11, 7-5, 7-9, 7-13	784132	3-3
724716	8-9	781328	7-13	784181	5-7
727008CE	9-3	781385	7-5	784223	6-3
727016CE	9-3	781427CE	9-3	784702CE	9-3
727420CE	9-4	781443	1-1, 4-11	784918	4-11
727438CE	9-4, 9-5	781526	3-3	784983	3-4
727453CE	9-4, 9-5	781534	3-3	785261	1-1, 5-4
740696	4-3	781567	6-7, 7-3, 7-7, 7-11	785279	1-1
742684	1-1	781583	4-7	785378	5-3
744276	4-3	781617	8-9	785659	4-11
745059	5-7	781658	3-3	785741	5-3
747303	1-1	781708	7-3, 7-7, 7-11	785808	5-11
747741	6-4	781716	4-7	786277	9-4, 9-5
747782	6-3	781831	4-5	786285	9-5
747832	6-4	781856	4-11, 7-5	786335	7-5, 7-9, 7-13
748756	8-9	781880	2-4, 8-9	786673	5-3
750414	7-3	781922	4-7	787366	4-11
752386	7-5, 7-9, 7-13	782383	3-3	787713	5-3

Part No.	Page No.	Part No.	Page No.	Part No.	Page No.
788018	5-3	793281	8-9	796714	7-9, 7-13
788026	5-3	793299	8-9	796722	7-9, 7-13
788042	3-3	793307	8-9	796839	1-1, 7-9
788166	7-3, 7-7, 7-11	793315	8-9	796953	9-5
788174	3-3	793323	8-9	797084	5-9
788216	5-3	793588	9-3	797167	1-1, 7-9
788943	5-3	793794	1-1	797480	8-9
789537	6-5	794446	4-11, 7-9, 7-13	797571	8-9
789685CE	9-4, 9-5	794685	1-1, 7-5	797720	1-1, 7-5
789701CE	9-3, 9-4, 9-5	795310	5-3	797910	7-5, 7-9, 7-13
789719CE	9-3, 9-4, 9-5	795633	1-1, 7-13	798603	6-3
789727CE	9-3	795781	1-1, 7-13	798694	7-3
789776CE	9-3	796219	4-3	799320	5-3, 5-11
791251	4-11	796227	7-14	799353	9-4
791277	5-7	796235	7-5, 7-9, 7-13	799395	9-4
791830	9-3	796318	5-7	808477	2-3
792051	8-9	796326	5-7	808485	2-3, 7-3, 7-7, 7-11
793232	5-9	796508	1-1, 7-9	808493	2-3, 7-3
793240	5-9	796672	5-3	927467CE	1-1
793265	8-9	796680	7-9, 7-13	927624CE	1-1
793273	8-9	796698	7-15	927988CE	1-1

<b>Part No.</b>	<b>Page No.</b>	<b>Part No.</b>	<b>Page No.</b>	<b>Part No.</b>	<b>Page No.</b>