

HWH® PARTS MANUAL SUB TABLE OF CONTENTS JACK | KICK-DOWN

(Filename: MR24.XLS) (Revised: 16NOV15)

[ML11428-24 \(Click to View Entire Section | PDF File | No Links | MR24-MR24Z\)](#)

- ▶ [6,000 lb. Lift Capacity \(1.625" Rod Diameter\)](#)
- ▶ [9,000 lb. Lift Capacity \(2.000" Rod Diameter\)](#)
- ▶ [16,000 lb. Lift Capacity \(2.750" Rod Diameter\)](#)
- ▶ [24,000 lb. Lift Capacity \(3.500" Rod Diameter\)](#)

6,000 lb. Lift Capacity

	Part #	Rod O.D.	Hose	Pressure Switch	Warning Switch	Cylinder Assy Height +/- 1/4"	Exploded Diagram
M	6K AP7129 / RAP7129	1.625	1-Hose	NO PR SW	2W	11.75	MR24.2200
M	6K AP7164 / RAP7164	1.625	1-Hose	NO PR SW	2W	13.25	
M	6K AP12447-OBS	1.625	1-Hose	NO-PR-SW	2W	13.25	
	6K AP8130	1.625	1-Hose	PR SW	3W	13.25	MR24.2300
	6K AP8242	1.625	1-Hose	PR SW	3W	11.75	
	6K AP0991	1.625	1-Hose	PR SW	2W	11.75	MR24.2400
	6K AP0992	1.625	1-Hose	PR SW	2W	13.25	
	6K AP14070-OBS	1.625	1-Hose	PR-SW	2W	13.25	

9,000 lb. Lifting capacity

	9K AP5749 cushion mounting kit				N/A	N/A	MR24.3100
	9K AP2512	2.000	?	NO PR SW	NO WRN SW	?	MR24.3125
	9K AP1206 - OBS	2.000	?	?	2W	13.75	MR24.3150
M	9K AP7001	2.000	1-Hose	NO PR SW	2W	12.75	MR24.3250
M	9K AP7002	2.000	1-Hose	NO PR SW	2W	13.75	
	9K AP3664	2.000	2-Hose	NO PR SW	2W	13.75	MR24.3400
	9K AP3706	2.000	2-Hose	NO PR SW	2W	12.76	
	9K AP8125	2.000	1-Hose	PR SW	3W	12.75	MR24.3500
	9K AP8251	2.000	1-Hose	PR SW	3W	13.75	
	9K AP0979	2.000	1-Hose	PR SW	2W	12.75	MR24.3600
	9K AP0980	2.000	1-Hose	PR SW	2W	13.75	

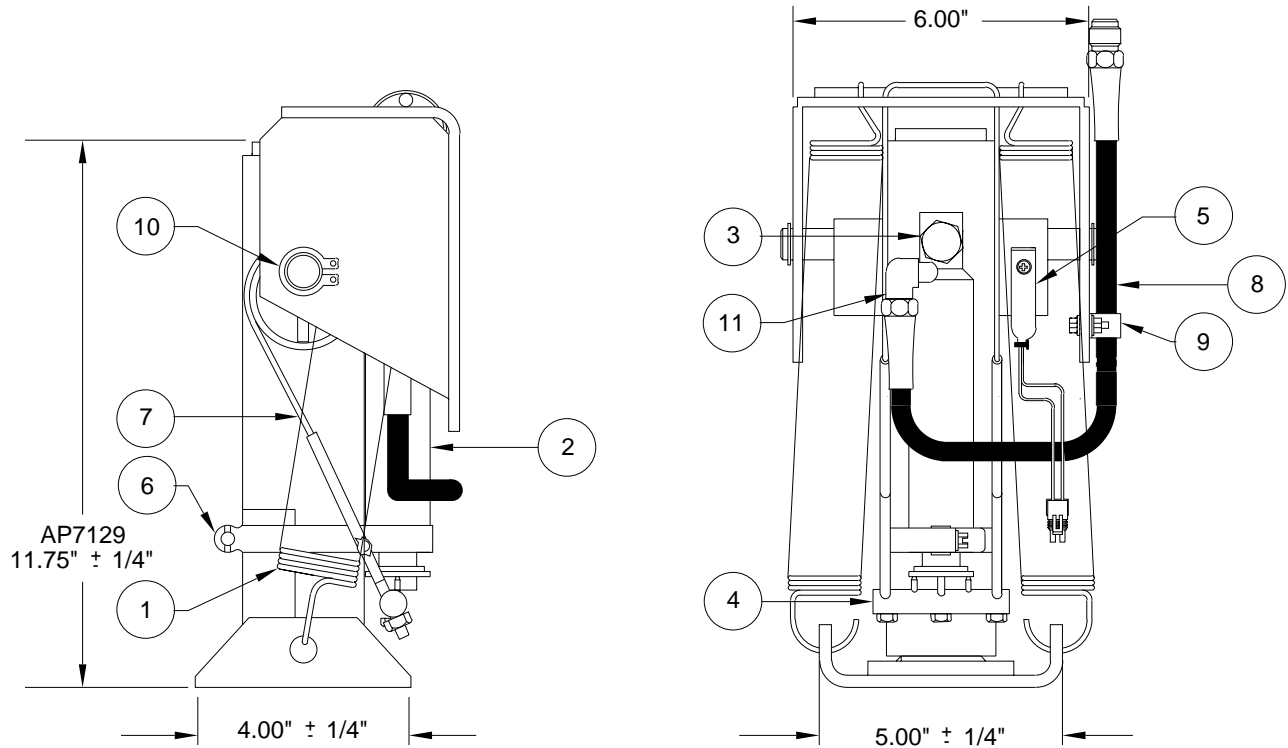
16,000 lb. Lifting capacity

	16K AP2381	2.750	1-Hose	NO PR SW	2W	15.75	MR24.5100
	16K AP3677	2.750	2-Hose	NO PR SW	2W	15.75	MR24.5200
	16K AP8525	2.750	1-Hose	PR SW	3W	15.75	MR24.5300
	16K AP1183	2.750	1-Hose	PR SW	2W	15.75	MR24.5400

24,000 lb. Lifting capacity

M	24K AP3000	3.500	1-Hose	NO PR SW	2W	13.50	MR24.7100
C	24K AP4390	3.500	2-Hose	NO PR SW	2W	13.50	MR24.7200

AP7129 - KICK DOWN JACK, LOW PROFILE
6,000 # CAPACITY; 1.625" ROD DIAMETER
SINGLE HOSE CONNECTION FOR MANUALLY CONTROLLED SYSTEMS



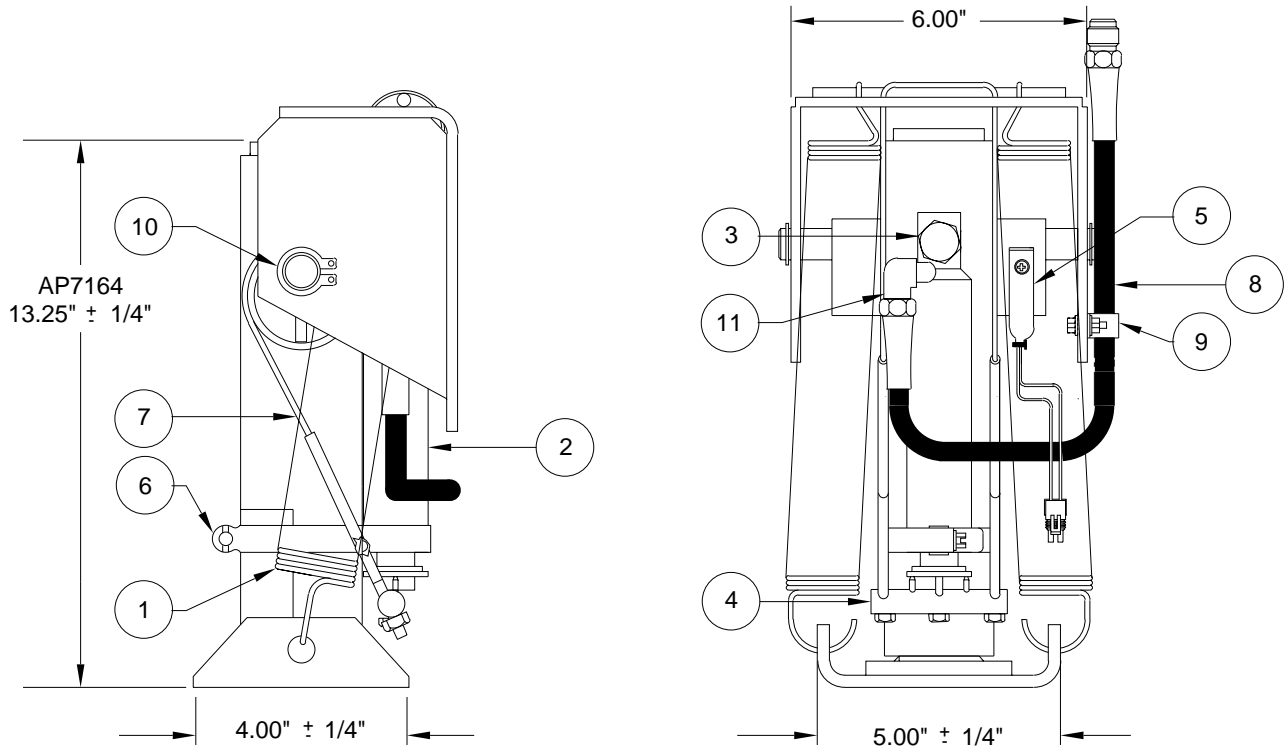
THESE JACKS ARE USED WITH 100, 110, 200 AND 310 LEVELING SYSTEMS.

ITEM	PART	QTY	DESCRIPTION	ITEM	PART	QTY	DESCRIPTION
	RAP7129		JACK 6,000 # KICK DOWN LOW PROFILE (REPLACES AP7129)	5	RAP1010	1	WARNING SWITCH KIT (REPLACES RAP7328) SWITCH WARNING 2-WIRE PHRDHD #10-24 X 3/8" LW. #10 EXT. STAR
1	R6824	1	SPRING KIT 1-1/2" X 10"	6	RP2508	1	CLAMP BAND/ BOLT
		1	SPRING MOUNTING ROD	7	RAP7194	1	ACTUATOR CABLE KIT ACTUATOR CABLE NUT 1/4-28 NYLOK
		2	SPRING 1-1/2" X 10"	8	RAP7542	1	HOSE ASSEMBLY
2	RAP0448	1	ACTUATOR KIT (REPLACES AP7062) (INCLUDES ITEMS 3,11) STEEL BALL 3/16"	9	RAP7555	1	HOSE CLAMP KIT
3	RAP7072	1	HEX SCREW KIT			1	HOSE CLAMP
		1	SCREW HEX SPECIAL			1	HHCS 1/4-20 X 1"
		2	O-RING			1	NUT 1/4-20 UNC
4	RP7064	1	RETAINING ROD KIT			1	LW. 1/4" INT. STAR
		1	ACTUATOR RETAINING ROD	10	R7531	2	SNAP RING (CONTAINS 4)
		1	HHCS 1/4-20 X 1"	11	RF1453	1	ELBOW
		1	LW. 1/4" INT. STAR				
		2	SET SCREW #10-24 X 1/4"				
		2	HEX NUT #10-24				

NOTE: INDENTED ITEMS ARE INCLUDED WITH PRECEDING ITEM.

MR24.2200
08APR20

AP7164 - KICK DOWN JACK, STANDARD PROFILE
6,000 # CAPACITY; 1.625" ROD DIAMETER
SINGLE HOSE CONNECTION FOR MANUALLY CONTROLLED SYSTEMS



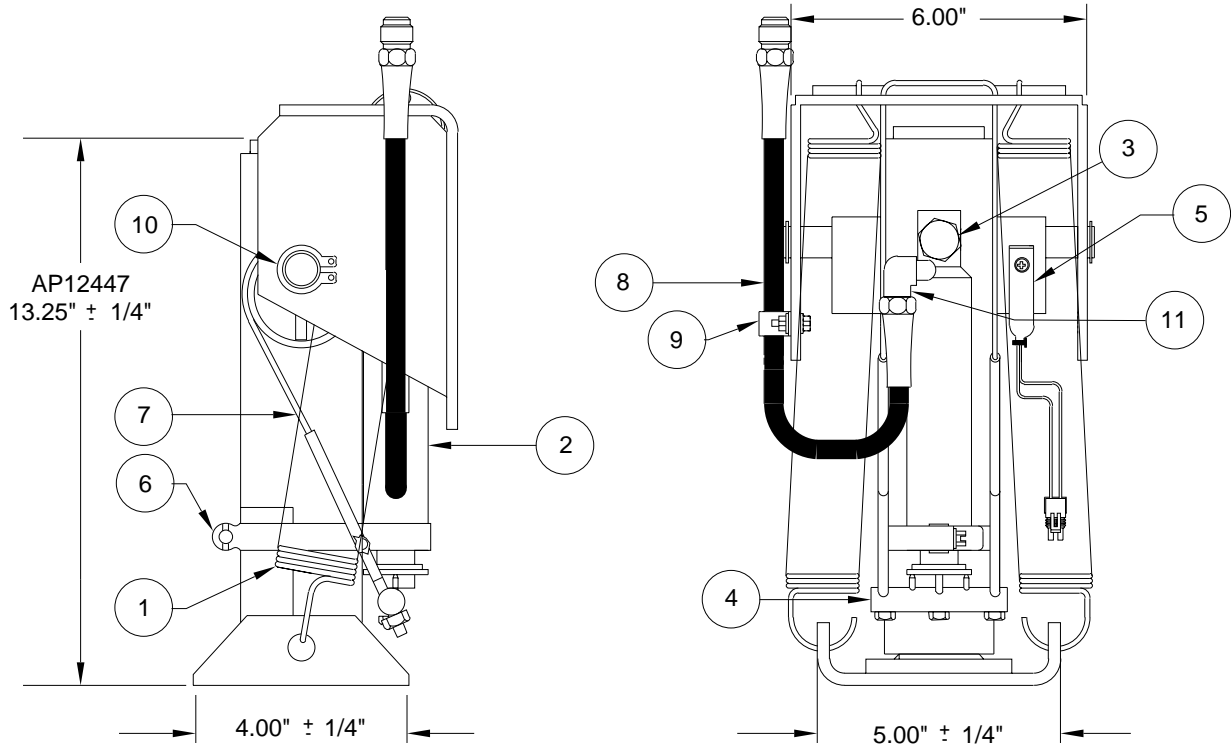
THESE JACKS ARE USED WITH 100, 110, 200 AND 310 LEVELING SYSTEMS.

ITEM	PART	QTY	DESCRIPTION	ITEM	PART	QTY	DESCRIPTION
	RAP7164		JACK 6,000 # KICK DOWN STANDARD PROFILE (REPLACES AP7164)	5	RAP1010	1	WARNING SWITCH KIT (REPLACES RAP7328) SWITCH WARNING 2-WIRE PHRDHD #10-24 X 3/8" LW. #10 EXT. STAR
1	R6824	1	SPRING KIT 1-1/2" X 10"	6	RP2508	1	CLAMP BAND/ BOLT
		1	SPRING MOUNTING ROD	7	RAP7194	1	ACTUATOR CABLE KIT ACTUATOR CABLE NUT 1/4-28 NYLOK
		2	SPRING 1-1/2" X 10"	8	RAP7542	1	HOSE ASSEMBLY
2	RAP0448	1	ACTUATOR KIT (REPLACES AP7062) (INCLUDES ITEMS 3,11)	9	RAP7555	1	HOSE CLAMP KIT
		1	STEEL BALL 3/16"			1	HOSE CLAMP
3	RAP7072	1	HEX SCREW KIT			1	HHCS 1/4-20 X 1"
		1	SCREW HEX SPECIAL			1	NUT 1/4-20 UNC
		2	O-RING			1	LW. 1/4" INT. STAR
4	RP7064	1	RETAINING ROD KIT	10	R7531	2	SNAP RING (CONTAINS 4)
		1	ACTUATOR RETAINING ROD	11	RF1453	1	ELBOW
		1	HHCS 1/4-20 X 1"				
		1	LW. 1/4" INT. STAR				
		2	SET SCREW #10-24 X 1/4"				
		2	HEX NUT #10-24				

NOTE: INDENTED ITEMS ARE INCLUDED WITH PRECEDING ITEM.

MR24.2200A
08APR20

AP12447 - KICK DOWN JACK, STANDARD PROFILE
6,000 # CAPACITY; 1.625" ROD DIAMETER
SINGLE HOSE CONNECTION FOR MANUALLY CONTROLLED SYSTEMS



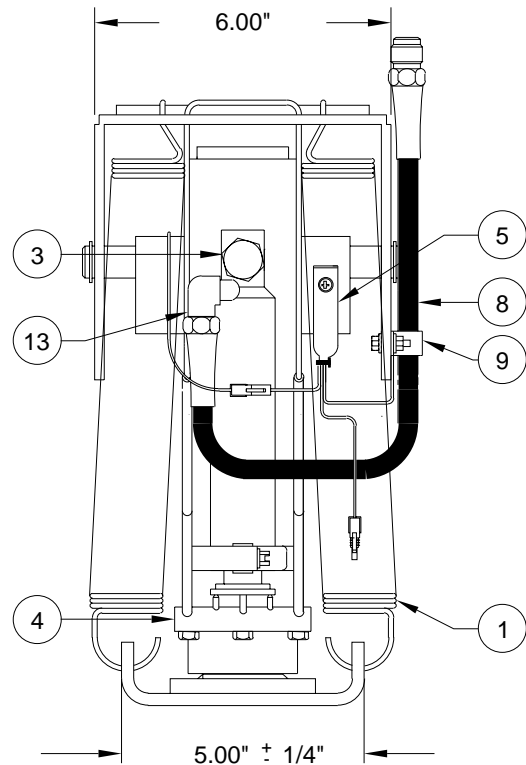
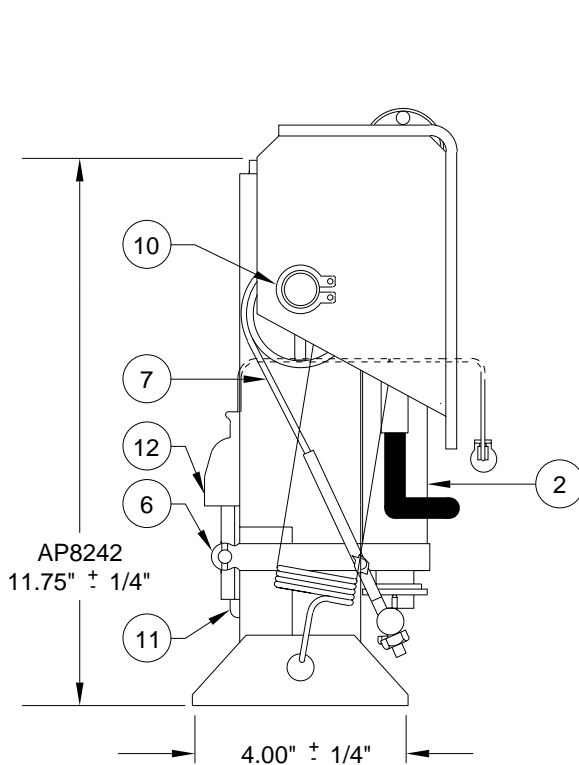
THESE JACKS ARE USED WITH 100, 110, 200 AND 310 LEVELING SYSTEMS.

ITEM	PART	QTY	DESCRIPTION	ITEM	PART	QTY	DESCRIPTION
	RAP7164		JACK 6,000 # KICK DOWN STANDARD PROFILE (REPLACES AP12447)	5	RAP1010	1	WARNING SWITCH KIT (REPLACES RAP7328) SWITCH WARNING 2-WIRE PHRDHD #10-24 X 3/8" LW. #10 EXT. STAR
1	R6824	1	SPRING KIT 1-1/2" X 10"	6	RP2508	1	CLAMP BAND/ BOLT
		1	SPRING MOUNTING ROD	7	RAP7194	1	ACTUATOR CABLE KIT ACTUATOR CABLE NUT 1/4-28 NYLOK
		2	SPRING 1-1/2" X 10"	8	RAP7542	1	HOSE ASSEMBLY
2	RAP0448	1	ACTUATOR KIT (REPLACES AP7062) (INCLUDES ITEMS 3,11)	9	RAP7555	1	HOSE CLAMP KIT
		1	STEEL BALL 3/16"			1	HOSE CLAMP
3	RAP7072	1	HEX SCREW KIT			1	HHCS 1/4-20 X 1"
		1	SCREW HEX SPECIAL			1	NUT 1/4-20 UNC
		2	O-RING			1	LW. 1/4" INT. STAR
4	RP7064	1	RETAINING ROD KIT	10	R7531	2	SNAP RING (CONTAINS 4)
		1	ACTUATOR RETAINING ROD	11	RF1453	1	ELBOW
		1	HHCS 1/4-20 X 1"				
		1	LW. 1/4" INT. STAR				
		2	SET SCREW #10-24 X 1/4"				
		2	HEX NUT #10-24				

NOTE: INDENTED ITEMS ARE INCLUDED WITH PRECEDING ITEM.

MR24.2200B
08APR20

AP8242 - KICK DOWN JACK, LOW PROFILE
6,000 # CAPACITY; 1.625" ROD DIAMETER
SINGLE HOSE CONNECTION, PRESSURE SWITCH AND 3-WIRE WARNING SWITCH



THESE JACKS ARE USED WITH 610 SERIES COMPUTERIZED LEVELING SYSTEMS.

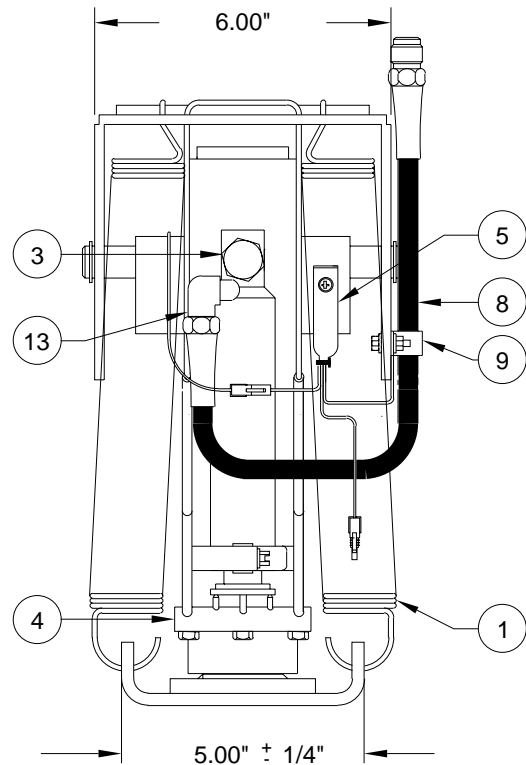
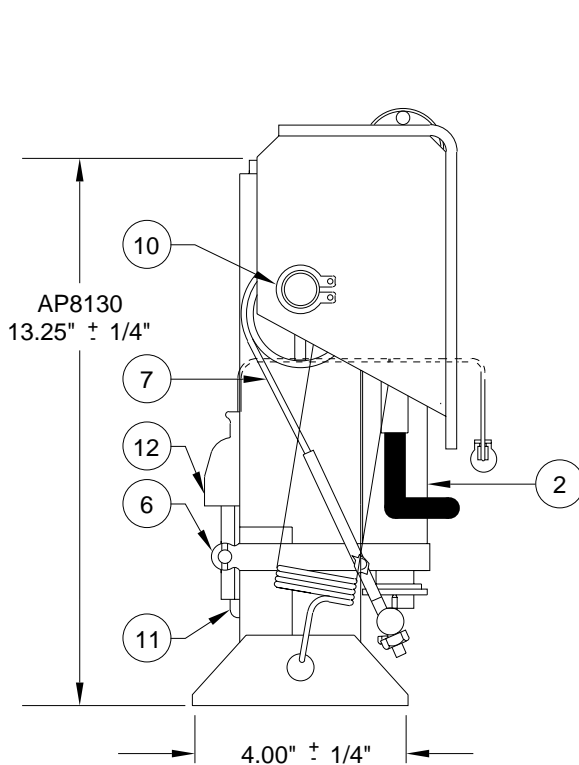
ITEM	PART	QTY	DESCRIPTION
	RAP8242		JACK 6,000 # KICK DOWN LOW PROFILE (REPLACES AP8242)
1	R6824	1	SPRING KIT 1-1/2" X 10"
		1	SPRING ROD
		2	SPRING 1-1/2" X 10"
2	RAP0448	1	ACTUATOR KIT (REPLACES AP7062) (INCLUDES ITEMS 3,13)
		1	STEEL BALL 3/16"
3	RAP7072	1	HEX SCREW KIT
		1	SCREW HEX SPECIAL
		2	O-RING
4	RP7064	1	RETAINING ROD KIT
		1	ACTUATOR RETAINING ROD
		1	HHCS 1/4-20 X 1"
		1	LW. 1/4" INT. STAR
		2	SET SCREW #10-24
		2	HEX NUT #10-24

ITEM	PART	QTY	DESCRIPTION
5	RAP90072	1	WARNING SWITCH KIT (REPLACES RAP8072)
		1	SWITCH WARNING 3-WIRE
		1	PHRDHD #10-24 X 3/8"
		1	LW. #10 EXT STAR
6	RP2508	1	CLAMP BAND/BOLT
7	RAP7194	1	ACTUATOR CABLE KIT
		1	ACTUATOR CABLE
		1	NUT 1/4-28 NYLOK
8	RAP7542	1	HOSE ASSEMBLY
9	RAP7555	1	HOSE CLAMP KIT
		1	HOSE CLAMP
		1	HHCS 1/4-20 X 1"
		1	NUT 1/4-20 UNC
		1	LW. 1/4" INT. STAR
10	R7531	2	SNAP RING (CONTAINS 4)
11	RF8143	1	ELBOW
12	RAP8003	1	SWITCH PRESSURE
13	RF1453	1	ELBOW

NOTE: INDENTED ITEMS ARE INCLUDED WITH PRECEDING ITEM.

MR24.2300
08APR20

AP8130 - KICK DOWN JACK, STANDARD PROFILE
6,000 # CAPACITY; 1.625" ROD DIAMETER
SINGLE HOSE CONNECTION, PRESSURE SWITCH AND 3-WIRE WARNING SWITCH



THESE JACKS ARE USED WITH 610 SERIES COMPUTERIZED LEVELING SYSTEMS.

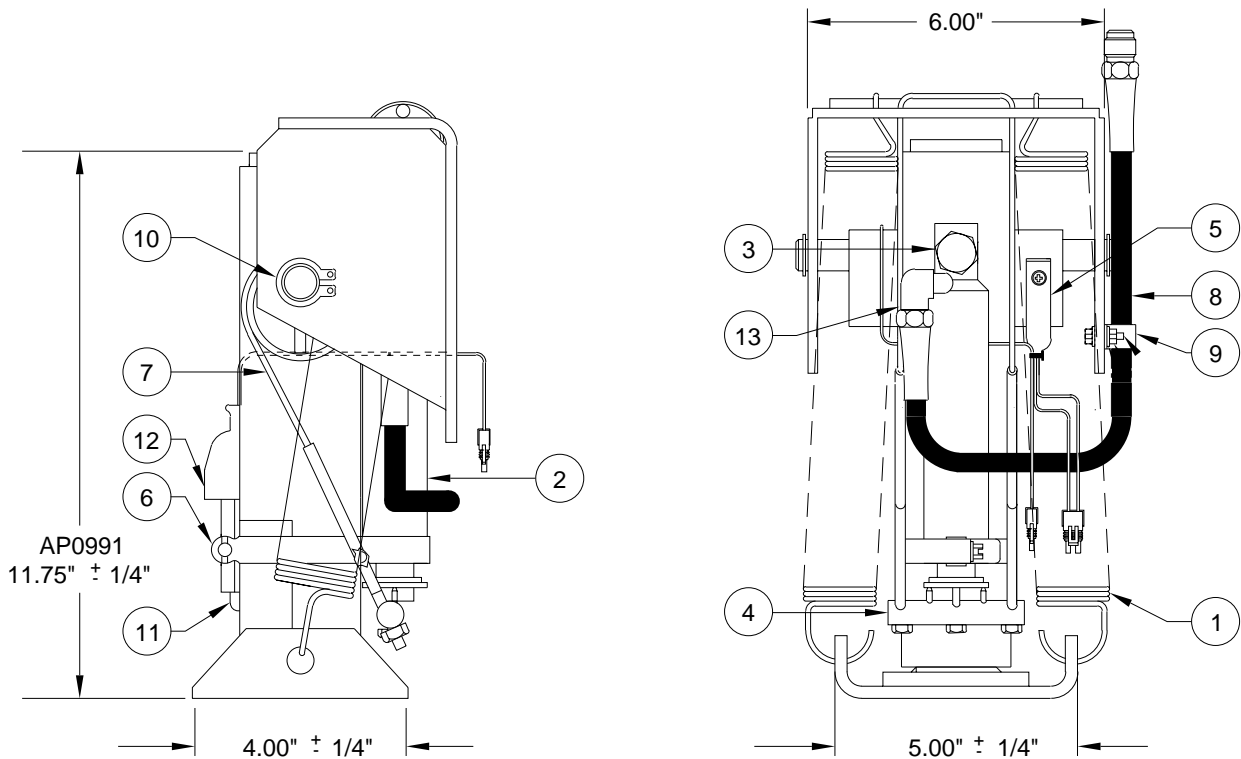
ITEM	PART	QTY	DESCRIPTION
	RAP8130		JACK 6,000 # KICK DOWN STANDARD PROFILE (REPLACES AP8130)
1	R6824	1	SPRING KIT 1-1/2" X 10"
		1	SPRING ROD
		2	SPRING 1-1/2" X 10"
2	RAP0448	1	ACTUATOR KIT (REPLACES AP7062) (INCLUDES ITEMS 3,13)
		1	STEEL BALL 3/16"
3	RAP7072	1	HEX SCREW KIT
		1	SCREW HEX SPECIAL
		2	O-RING
4	RP7064	1	RETAINING ROD KIT
		1	ACTUATOR RETAINING ROD
		1	HHCS 1/4-20 X 1"
		1	LW. 1/4" INT. STAR
		2	SET SCREW #10-24
		2	HEX NUT #10-24

ITEM	PART	QTY	DESCRIPTION
5	RAP90072	1	WARNING SWITCH KIT (REPLACES RAP8072)
		1	SWITCH WARNING 3-WIRE
		1	PHRDHD #10-24 X 3/8"
		1	LW. #10 EXT STAR
6	RP2508	1	CLAMP BAND/BOLT
7	RAP7194	1	ACTUATOR CABLE KIT
		1	ACTUATOR CABLE
		1	NUT 1/4-28 NYLOK
8	RAP7542	1	HOSE ASSEMBLY
9	RAP7555	1	HOSE CLAMP KIT
		1	HOSE CLAMP
		1	HHCS 1/4-20 X 1"
		1	NUT 1/4-20 UNC
		1	LW. 1/4" INT. STAR
10	R7531	2	SNAP RING (CONTAINS 4)
11	RF8143	1	ELBOW
12	RAP8003	1	SWITCH PRESSURE
13	RF1453	1	ELBOW

NOTE: INDENTED ITEMS ARE INCLUDED WITH PRECEDING ITEM.

MR24.2300A
08APR20

AP0991 - KICK DOWN JACK, LOW PROFILE
6,000 # CAPACITY; 1.625" ROD DIAMETER
SINGLE HOSE CONNECTION, PRESSURE SWITCH AND 2-WIRE WARNING SWITCH



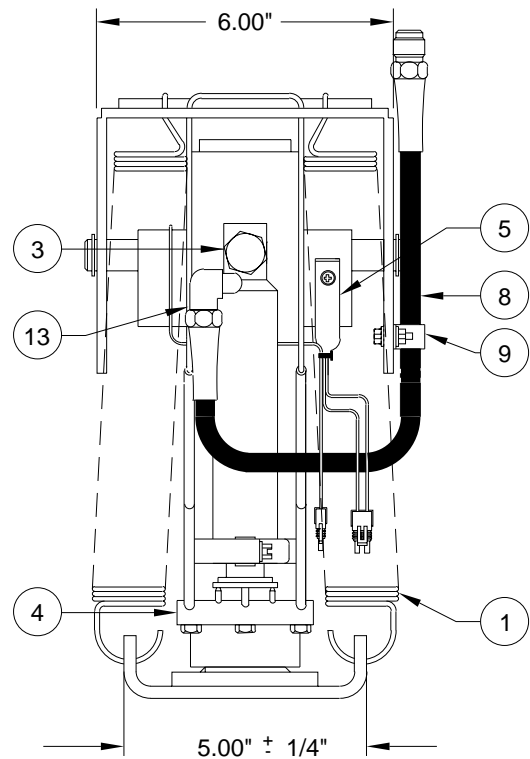
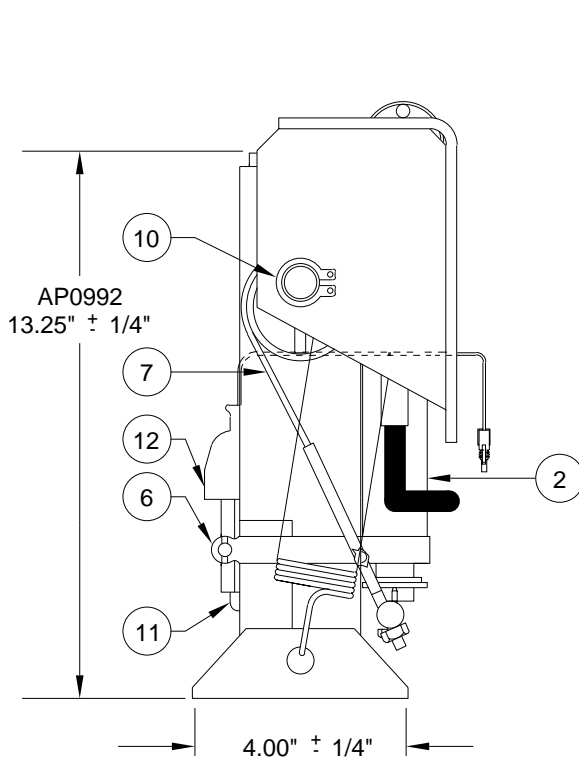
THESE JACKS ARE USED WITH 610 CENTRAL GROUND LEVELING SYSTEMS.

ITEM	PART	QTY	DESCRIPTION	ITEM	PART	QTY	DESCRIPTION
	RAP0991		JACK 6,000 # KICK DOWN LOW PROFILE (REPLACES AP0991)	5	RAP1010	1	WARNING SWITCH KIT
						1	SWITCH WARNING 2-WIRE
						1	PHRDHD #10-24 X 3/8"
						1	LW. #10 EXT STAR
1	R6824	1	SPRING KIT 1-1/2" X 10"	6	RP2508	1	CLAMP BAND/BOLT
		1	SPRING ROD	7	RAP7194	1	ACTUATOR CABLE KIT
		2	SPRING 1-1/2" X 10"			1	ACTUATOR CABLE
2	RAP0448	1	ACTUATOR KIT (REPLACES AP7062) (INCLUDES ITEMS 3,13)			1	NUT 1/4-28 NYLOK
		1	STEEL BALL 3/16"	8	RAP7542	1	HOSE ASSEMBLY
3	RAP7072	1	HEX SCREW KIT	9	RAP7555	1	HOSE CLAMP KIT
		1	SCREW HEX SPECIAL			1	HOSE CLAMP
		2	O-RING			1	HHCS 1/4-20 X 1"
4	RP7064	1	RETAINING ROD KIT			1	NUT 1/4-20 UNC
		1	ACTUATOR RETAINING ROD			1	LW. 1/4" INT STAR
		1	HHCS 1/4-20 X 1"	10	R7531	2	SNAP RING (CONTAINS 4)
		1	LW. 1/4" INT. STAR	11	RF8143	1	ELBOW
		2	SET SCREW #10-24	12	RAP8003	1	SWITCH PRESSURE
		2	HEX NUT #10-24	13	RF1453	1	ELBOW

NOTE: INDENTED ITEMS ARE INCLUDED WITH PRECEDING ITEM.

MR24.2400
08APR20

AP0992 - KICK DOWN JACK, STANDARD PROFILE
6,000 # CAPACITY; 1.625" ROD DIAMETER
SINGLE HOSE CONNECTION, PRESSURE SWITCH AND 2-WIRE WARNING SWITCH



THESE JACKS ARE USED WITH 610 CENTRAL GROUND LEVELING SYSTEMS.

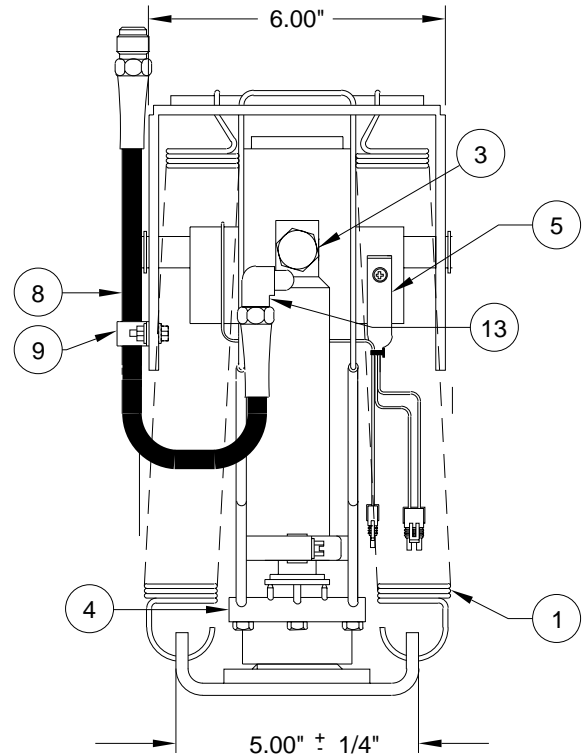
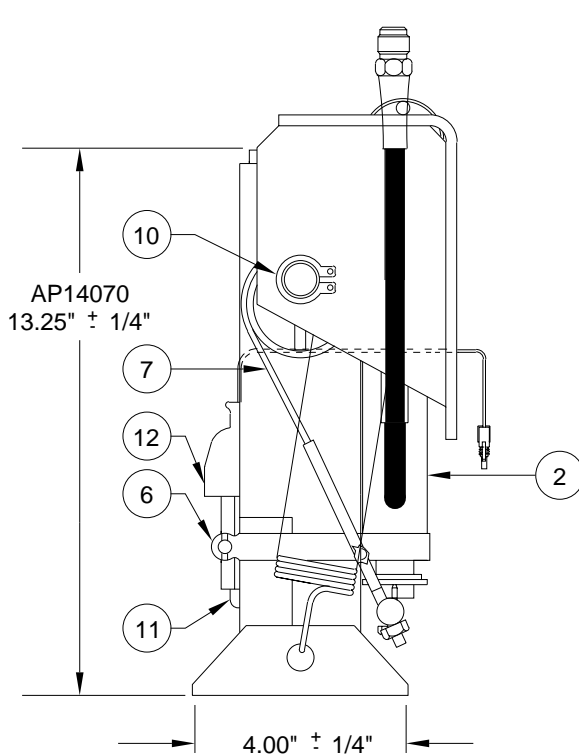
ITEM	PART	QTY	DESCRIPTION
	RAP0992		JACK 6,000 # KICK DOWN STANDARD PROFILE (REPLACES AP0992)
1	R6824	1	SPRING KIT 1-1/2" X 10"
		1	SPRING ROD
		2	SPRING 1-1/2" X 10"
2	RAP0448	1	ACTUATOR KIT (REPLACES AP7062) (INCLUDES ITEMS 3,13)
		1	STEEL BALL 3/16"
3	RAP7072	1	HEX SCREW KIT
		1	SCREW HEX SPECIAL
		2	O-RING
4	RP7064	1	RETAINING ROD KIT
		1	ACTUATOR RETAINING ROD
		1	HHCS 1/4-20 X 1"
		1	LW. 1/4" INT. STAR
		2	SET SCREW #10-24
		2	HEX NUT #10-24

ITEM	PART	QTY	DESCRIPTION
5	RAP1010	1	WARNING SWITCH KIT
		1	SWITCH WARNING 2-WIRE
		1	PHRDHD #10-24 X 3/8"
		1	LW. #10 EXT STAR
6	RP2508	1	CLAMP BAND/BOLT
7	RAP7194	1	ACTUATOR CABLE KIT
		1	ACTUATOR CABLE
		1	NUT 1/4-28 NYLOK
8	RAP7542	1	HOSE ASSEMBLY
9	RAP7555	1	HOSE CLAMP KIT
		1	HOSE CLAMP
		1	HHCS 1/4-20 X 1"
		1	NUT 1/4-20 UNC
		1	LW. 1/4" INT STAR
10	R7531	2	SNAP RING (CONTAINS 4)
11	RF8143	1	ELBOW
12	RAP8003	1	SWITCH PRESSURE
13	RF1453	1	ELBOW

NOTE: INDENTED ITEMS ARE INCLUDED WITH PRECEDING ITEM.

MR24.2400A
08APR20

AP14070 - KICK DOWN JACK, STANDARD PROFILE
6,000 # CAPACITY; 1.625" ROD DIAMETER
SINGLE HOSE CONNECTION, PRESSURE SWITCH AND 2-WIRE WARNING SWITCH



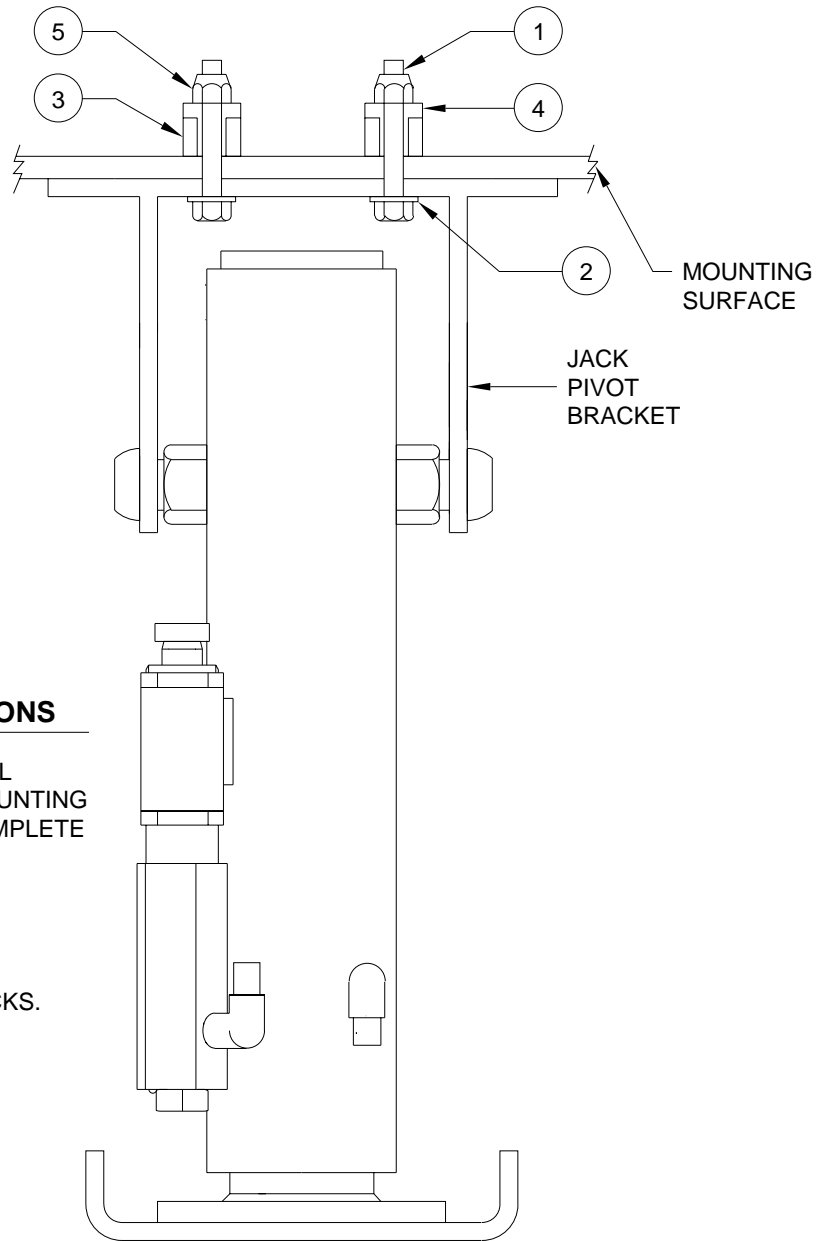
THESE JACKS ARE USED WITH 610 CENTRAL GROUND LEVELING SYSTEMS.

ITEM	PART	QTY	DESCRIPTION	ITEM	PART	QTY	DESCRIPTION
	RAP0992		JACK 6,000 # KICK DOWN STANDARD PROFILE (REPLACES AP14070)	5	RAP1010	1	WARNING SWITCH KIT
1	R6824	1	SPRING KIT 1-1/2" X 10"			1	SWITCH WARNING 2-WIRE
		1	SPRING ROD			1	PHRDHD #10-24 X 3/8"
		2	SPRING 1-1/2" X 10"			1	LW. #10 EXT STAR
2	RAP0448	1	ACTUATOR KIT (REPLACES AP7062) (INCLUDES ITEMS 3,13)	6	RP2508	1	CLAMP BAND/BOLT
		1	STEEL BALL 3/16"	7	RAP7194	1	ACTUATOR CABLE KIT
3	RAP7072	1	HEX SCREW KIT			1	ACTUATOR CABLE
		1	SCREW HEX SPECIAL			1	NUT 1/4-28 NYLOK
		2	O-RING	8	RAP7542	1	HOSE ASSEMBLY
4	RP7064	1	RETAINING ROD KIT	9	RAP7555	1	HOSE CLAMP KIT
		1	ACTUATOR RETAINING ROD			1	HOSE CLAMP
		1	HHCS 1/4-20 X 1"			1	HHCS 1/4-20 X 1"
		1	LW. 1/4" INT. STAR			1	NUT 1/4-20 UNC
		2	SET SCREW #10-24			1	LW. 1/4" INT STAR
		2	HEX NUT #10-24	10	R7531	2	SNAP RING (CONTAINS 4)
				11	RF8143	1	ELBOW
				12	RAP8003	1	SWITCH PRESSURE
				13	RF1453	1	ELBOW

NOTE: INDENTED ITEMS ARE INCLUDED WITH PRECEDING ITEM.

MR24.2400B
08APR20

AP5749 CUSHION MOUNTING KIT FOR 9,000 # KICK DOWN JACKS



MOUNTING INSTRUCTIONS

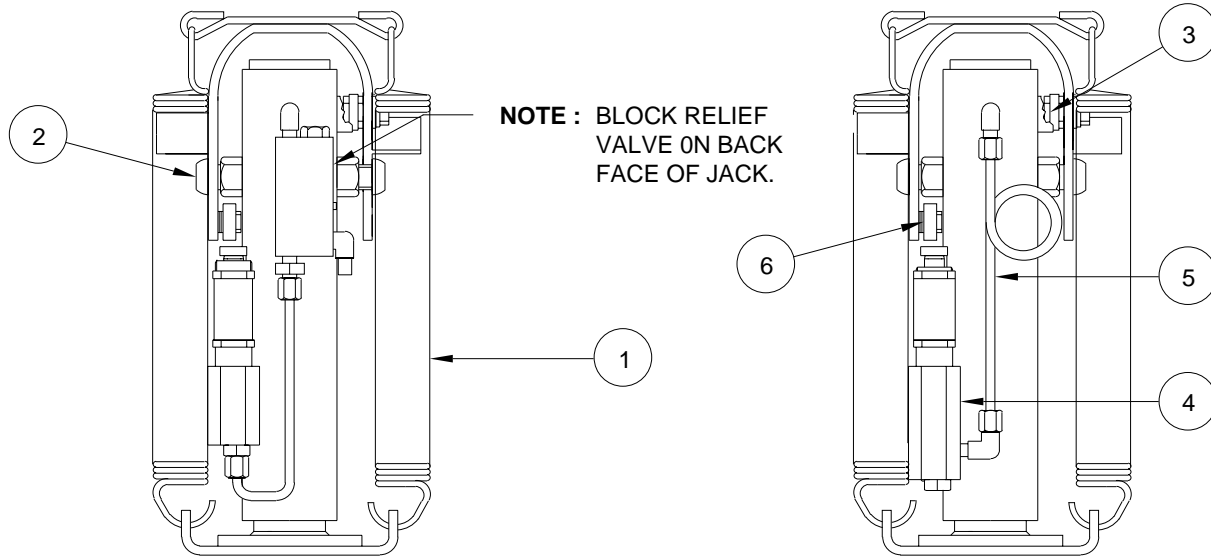
TIGHTEN BOLTS (1) UNTIL STEEL SPACER BOTTOMS OUT ON MOUNTING SURFACE. THEN LOOSEN 4 COMPLETE TURNS.

ONE CUSHION MOUNTING KIT HAS ALL THE COMPONENTS REQUIRED TO MOUNT TWO JACKS.

**USED PRIMARILY ON FORWARD CONTROL
BLUE BIRD COACHES.**

ITEM	PART	QTY	DESCRIPTION	ITEM	PART	QTY	DESCRIPTION
	RAP5749		CUSHION MOUNTING KIT	3		8	BUSHING
1		8	HHCS 3/8-16 X 2.25"	4		8	SPACER
2		8	3/8" WASHER	5		8	3/8-16 ESSNA NUT

AP2512 - KICK DOWN JACK
9,000 # CAPACITY; 2.000" ROD DIAMETER; REMOTE ACTUATOR VALVE
USE ENDING IN MIDYEAR 1980



IF ACTUATOR NEEDS TO BE REPLACED :

BLOCK RELIEF VALVE, STEEL TUBE ASSEMBLY AND OLD ACTUATOR NEED TO BE REMOVED AND REPLACED WITH A NEW ACTUATOR AND TUBE KIT. (SEE PARTS BELOW).

THE FUNCTION OF THE BLOCK RELIEF VALVE IS INCORPORATED INTO THE NEW ACTUATOR.

THE COMPLETE JACK CAN BE REPLACED WITH AN RAP7001 JACK.

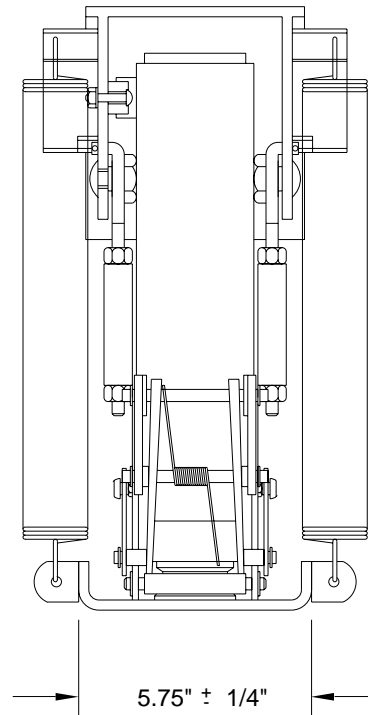
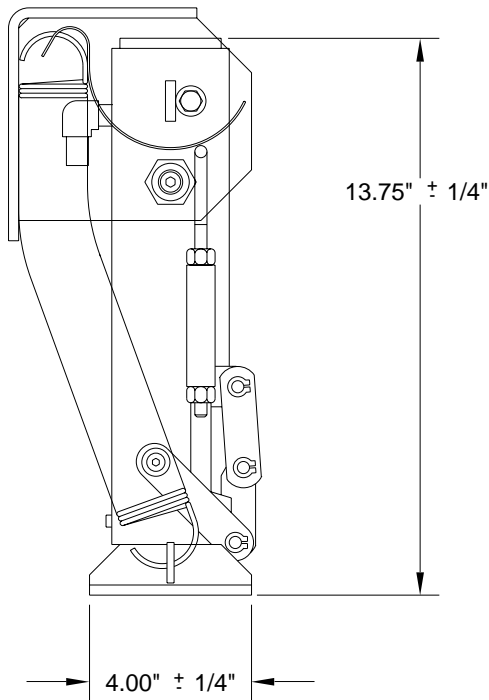
ITEM	PART	QTY	DESCRIPTION
	RAP7001		JACK 9,000 # KICK DOWN (REPLACES RAP2512)
1	R1171	1	SPRING KIT 1-5/8" X 12"
		1	SPRING ROD
		2	SPRING 1-5/8" X 12"
2	R1280	1	PIVOT BOLT KIT
		2	BHCS 5/8-11 X 1"
		2	BUSHING .75" OD

ITEM	PART	QTY	DESCRIPTION
3	R2956	1	HEX STOP KIT
		1	BUMPER
		1	HEX STOP
		1	FSHCS 3/8-16 X 1"
4	RAP0547	1	ACTUATOR KIT
5	RAP90080	1	TUBE ASSEMBLY LONG (REPLACES RAP2539)
6	R2527	1	ROLLER KIT
		1	BEARING 1.125" DIA.
		1	ROLLER FASTENER
		3	LW. 3/8" EXT. STAR

NOTE: INDENTED ITEMS ARE INCLUDED WITH PRECEDING ITEM.

MR24.3125
30MAR20

AP1206 - KICK DOWN JACK, MECHANICAL
9,000 # CAPACITY; 2.000" ROD DIAMETER
FOR USE WITH MANUALLY CONTROLLED LEVELING SYSTEMS
MANUFACTURE ENDING IN 1987

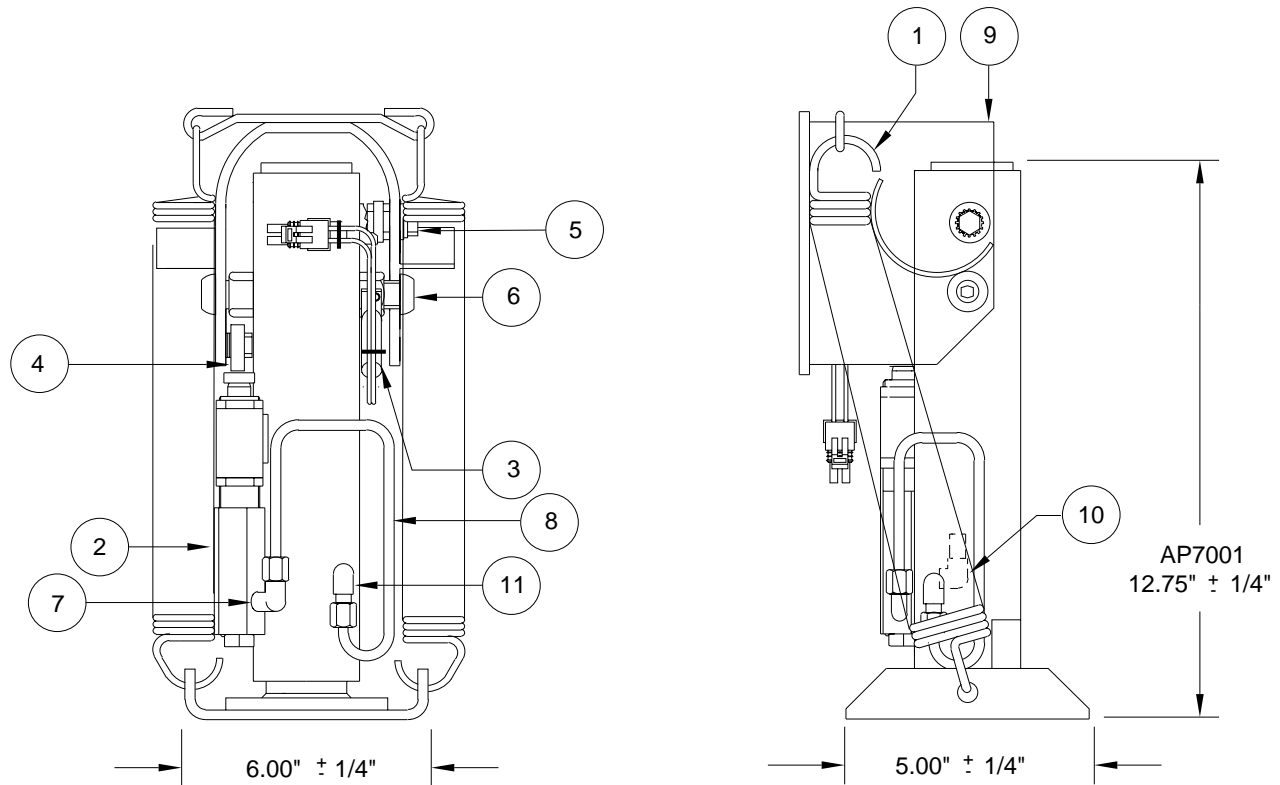


ITEM	PART	QTY	DESCRIPTION
------	------	-----	-------------

ITEM	PART	QTY	DESCRIPTION
------	------	-----	-------------

**THIS JACK IS OBSOLETE. THERE ARE NO PARTS AVAILABLE
 FOR THIS JACK. THIS JACK IS REPLACED WITH RAP7001.**

AP7001 - KICK DOWN JACK, LOW PROFILE
9,000 # CAPACITY; 2.000" ROD DIAMETER
SINGLE HOSE CONNECTION FOR MANUALLY CONTROLLED LEVELING SYSTEMS



THESE JACKS ARE USED WITH 100, 110, 200, AND 310 SERIES LEVELING SYSTEMS.

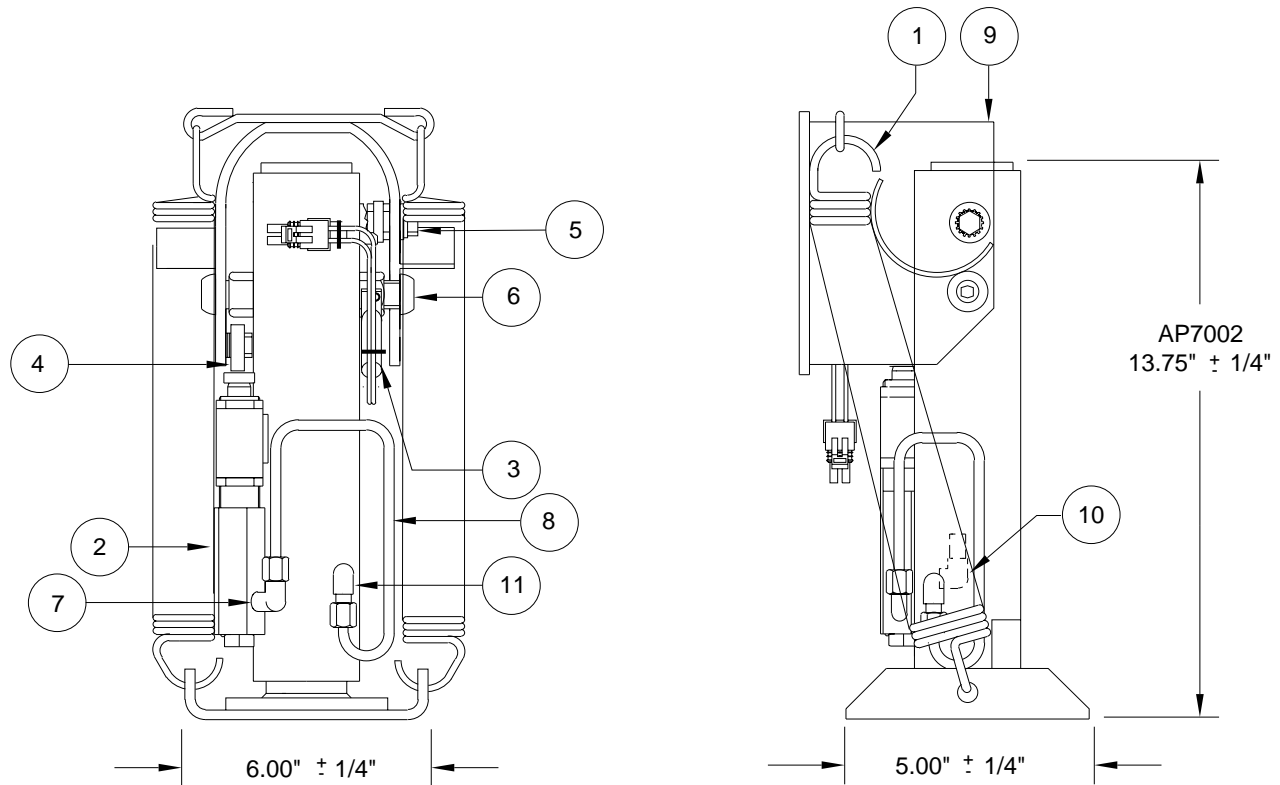
ITEM	PART	QTY	DESCRIPTION	ITEM	PART	QTY	DESCRIPTION
	RAP7001		JACK 9,000 # KICK DOWN LOW PROFILE (REPLACES AP7001 AND AP3289)	4	R2527	1	ROLLER KIT
1	R1171	1	SPRING KIT 1-5/8" X 12"			1	BEARING 1.125" DIA.
		1	SPRING MOUNTING ROD			1	ROLLER FASTENER
		2	SPRING 1-5/8" X 12"	5	R2956	3	LW. 3/8" EXT. STAR
2	RAP0547	1	ACTUATOR KIT (REPLACES RAP2795 AND RAP7028)	6	R1280	1	HEX STOP KIT
			(INCLUDES ITEMS 7,10)			1	BUMPER
3	RAP1010	2	SPANNER NUT 1-14			1	HEX STOP
		1	WARNING SWITCH KIT (REPLACES RAP7328)	7	RF1453	1	FSHCS 3/8-16 X 1"
		1	SWITCH WARNING 2-WIRE	8	RAP0711	1	PIVOT BOLT KIT
		1	PHRDHD #10 -24 X 3/8"			2	BHCS 5/8-11 X 1"
		1	LW #10 EXT STAR			2	BUSHING .75" OD
				9	RAP5520	1	ELBOW
				10	RF1511	1	TUBE ASSEMBLY SHORT (FOR AP7001 REPLACES RAP5653)
				11	RF1453	1	PIVOT BRACKET (INCLUDES ITEMS 4,5)
							ELBOW LONG
							ELBOW

NOTE: WHEN REPLACING A WARNING SWITCH ATTACHED TO THE CYLINDER BARREL ASSEMBLY, A REPLACEMENT BAND CLAMP RP1000 IS USED.

NOTE: INDENTED ITEMS ARE INCLUDED WITH PRECEDING ITEM.

MR24.3250
08APR20

AP7002 - KICK DOWN JACK, STANDARD PROFILE
9,000 # CAPACITY; 2.000" ROD DIAMETER
SINGLE HOSE CONNECTION FOR MANUALLY CONTROLLED LEVELING SYSTEMS



THESE JACKS ARE USED WITH 100, 110, 200, AND 310 SERIES LEVELING SYSTEMS.

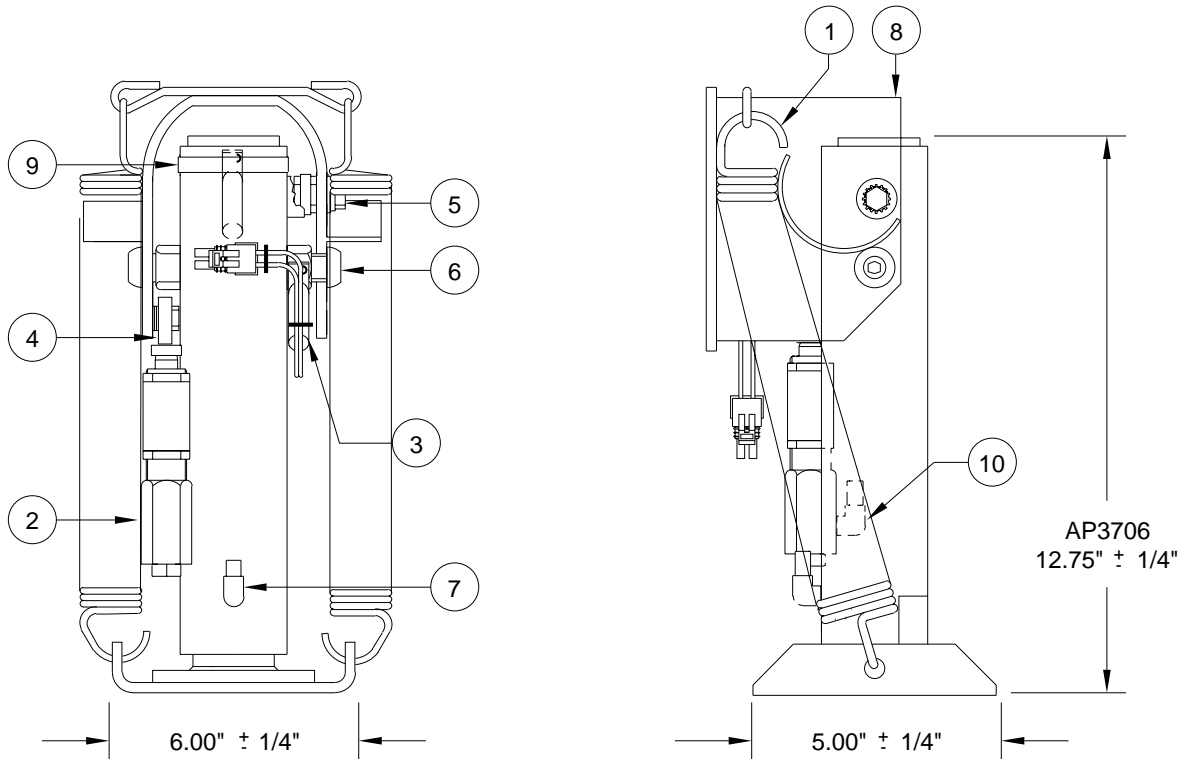
ITEM	PART	QTY	DESCRIPTION	ITEM	PART	QTY	DESCRIPTION
	RAP7002		JACK 9,000 # KICK DOWN STANDARD PROFILE (REPLACES AP7002 AND AP3342)	4	R2527	1	ROLLER KIT
1	R1171	1	SPRING KIT 1-5/8" X 12"			1	BEARING 1.125" DIA.
		1	SPRING MOUNTING ROD			1	ROLLER FASTENER
		2	SPRING 1-5/8" X 12"	5	R2956	3	LW. 3/8" EXT. STAR
2	RAP0547	1	ACTUATOR KIT (REPLACES RAP2795 AND RAP7028) (INCLUDES ITEMS 7,10)	5	R2956	1	HEX STOP KIT
						1	BUMPER
						1	HEX STOP
3	RAP1010	2	SPANNER NUT 1-14	6	R1280	1	FSHCS 3/8-16 X 1"
		1	WARNING SWITCH KIT (REPLACES RAP7328)			2	PIVOT BOLT KIT
		1	SWITCH WARNING 2-WIRE			2	BHCS 5/8-11 X 1"
		1	PHRDHD #10 -24 X 3/8"	7	RF1453	1	BUSHING .75" OD
		1	LW #10 EXT STAR	8	RAP0733	1	ELBOW
							TUBE ASSEMBLY TALL (FOR AP7002 REPLACES RAP5652)
				9	RAP5520	1	PIVOT BRACKET (INCLUDES ITEMS 4,5)
				10	RF1511	1	ELBOW LONG
				11	RF1453	1	ELBOW

NOTE: WHEN REPLACING A WARNING SWITCH ATTACHED TO THE CYLINDER BARREL ASSEMBLY, A REPLACEMENT BAND CLAMP RP1000 IS USED.

NOTE: INDENTED ITEMS ARE INCLUDED WITH PRECEDING ITEM.

MR24.3250A
08APR20

AP3706 - KICK DOWN JACK, LOW PROFILE
9,000 # CAPACITY; 2.000" ROD DIAMETER
2 HOSE CONNECTIONS FOR EARLY COMPUTERIZED LEVELING SYSTEMS



THESE JACKS ARE USED WITH 400 AND 510 SERIES LEVELING SYSTEMS.

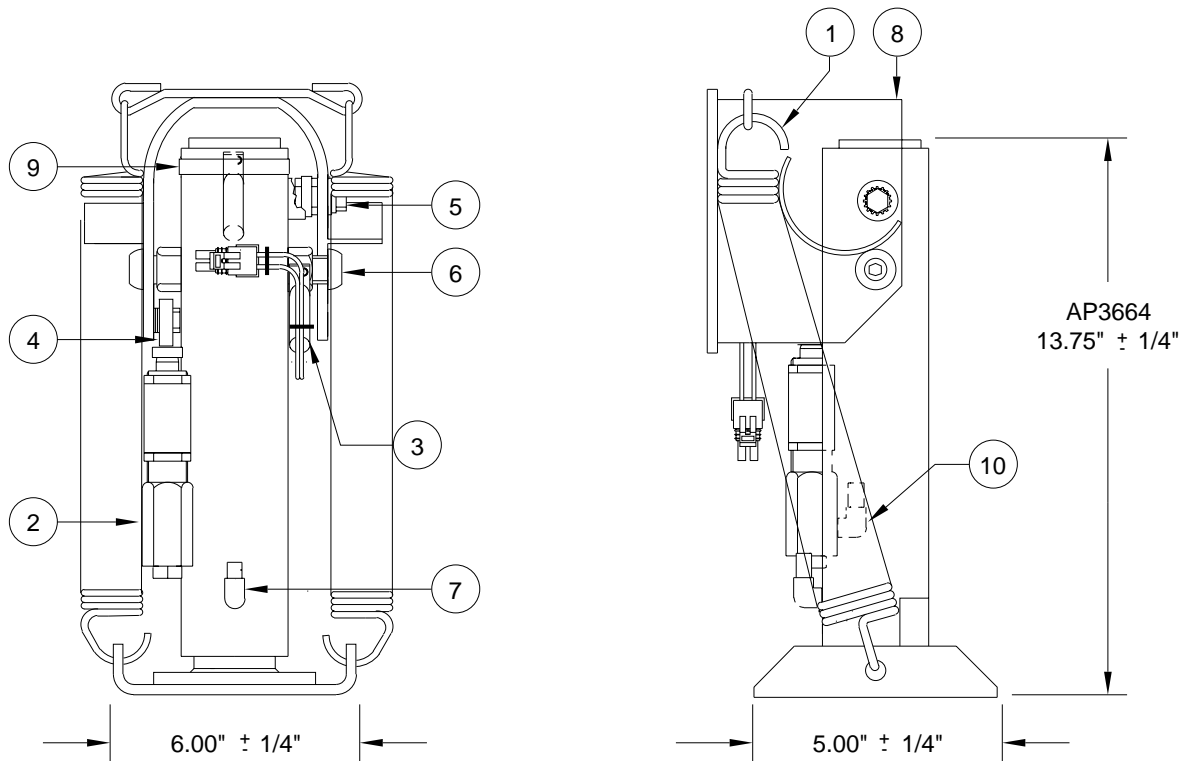
ITEM	PART	QTY	DESCRIPTION	ITEM	PART	QTY	DESCRIPTION
	RAP3706		JACK 9,000 # KICK DOWN LOW PROFILE (REPLACES AP3706)	4	R2527	1	ROLLER KIT
						1	BEARING 1.125" DIA.
						1	ROLLER FASTENER
						3	LW. 3/8" EXT. STAR
1	R1171	1	SPRING KIT 1-5/8" X 12"	5	R2956	1	HEX STOP KIT
		1	SPRING ROD			1	BUMPER
		2	SPRING 1-5/8" X 12"			1	HEX STOP
						1	FSHCS 3/8-16 X 1"
2	RAP4079	1	ACTUATOR KIT (INCLUDES ITEM 10)	6	R1280	1	PIVOT BOLT KIT
		2	SPANNER NUT 1-14			2	BHCS 5/8-11 X 1"
						2	BUSHING .75" OD
3	RAP1010	1	WARNING SWITCH KIT (REPLACES RAP7328)	7	RF1453	1	ELBOW
		1	SWITCH WARNING 2-WIRE	8	RAP5520	1	PIVOT BRACKET (INCLUDES ITEMS 4,5)
		1	PHRDHD #10-24 X 3/8"	9	RP2508	1	CLAMP BAND/GROUND
		1	LW. #10 EXT. STAR	10	RAP3798	1	ELBOW RESTRICTOR LONG

NOTE : WHEN REPLACING A WARNING SWITCH ON EARLIER MODELS, ITEM NUMBER 9 IS REQUIRED TO MOUNT SWITCH TO CYLINDER BARREL ASSEMBLY.

NOTE : INDENTED ITEMS ARE INCLUDED WITH PRECEDING ITEM.

MR24.3400
08APR20

AP3664 - KICK DOWN JACK, STANDARD PROFILE
9,000 # CAPACITY; 2.000" ROD DIAMETER
2 HOSE CONNECTIONS FOR EARLY COMPUTERIZED LEVELING SYSTEMS



THESE JACKS ARE USED WITH 400 AND 510 SERIES LEVELING SYSTEMS.

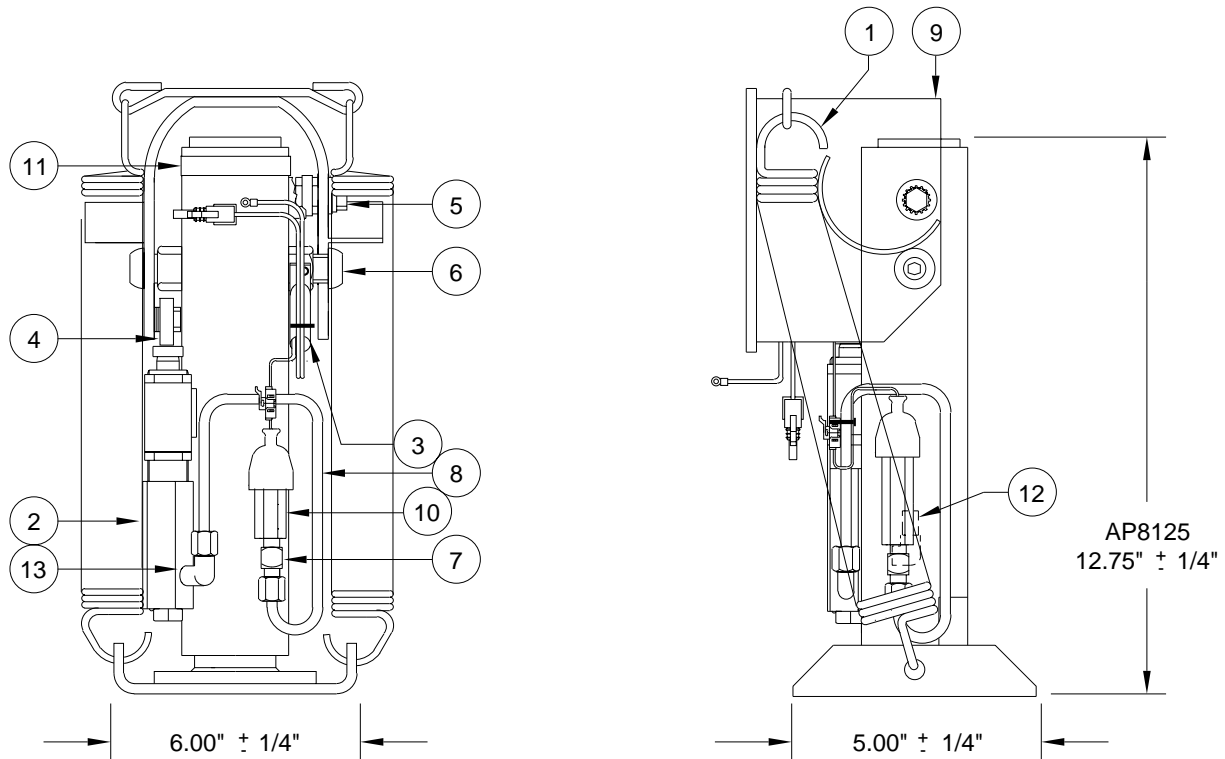
ITEM	PART	QTY	DESCRIPTION	ITEM	PART	QTY	DESCRIPTION
	RAP3664		JACK 9,000 # KICK DOWN STANDARD PROFILE (REPLACES AP3664)	4	R2527	1	ROLLER KIT
						1	BEARING 1.125" DIA.
						1	ROLLER FASTENER
						3	LW. 3/8" EXT. STAR
1	R1171	1	SPRING KIT 1-5/8" X 12"	5	R2956	1	HEX STOP KIT
		1	SPRING ROD			1	BUMPER
		2	SPRING 1-5/8" X 12"			1	HEX STOP
2	RAP4079	1	ACTUATOR KIT (INCLUDES ITEM 10)			1	FSHCS 3/8-16 X 1"
		2	SPANNER NUT 1-14	6	R1280	1	PIVOT BOLT KIT
3	RAP1010	1	WARNING SWITCH KIT (REPLACES RAP7328)			2	BHCS 5/8-11 X 1"
		1	SWITCH WARNING 2-WIRE			2	BUSHING .75" OD
		1	PHRDHD #10-24 X 3/8"	7	RF1453	1	ELBOW
		1	LW. #10 EXT. STAR	8	RAP5520	1	PIVOT BRACKET (INCLUDES ITEMS 4,5)
				9	RP2508	1	CLAMP BAND/GROUND
				10	RAP3798	1	ELBOW RESTRICTOR LONG

NOTE : WHEN REPLACING A WARNING SWITCH ON EARLIER MODELS, ITEM NUMBER 9 IS REQUIRED TO MOUNT SWITCH TO CYLINDER BARREL ASSEMBLY.

NOTE : INDENTED ITEMS ARE INCLUDED WITH PRECEDING ITEM.

MR24.3400A
08APR20

AP8125 - KICK DOWN JACK, LOW PROFILE
9,000 # CAPACITY; 2.000" ROD DIAMETER
SINGLE HOSE CONNECTION, PRESSURE SWITCH AND 3-WIRE WARNING SWITCH



THESE JACKS ARE USED WITH EARLY 610 SERIES LEVELING SYSTEMS.

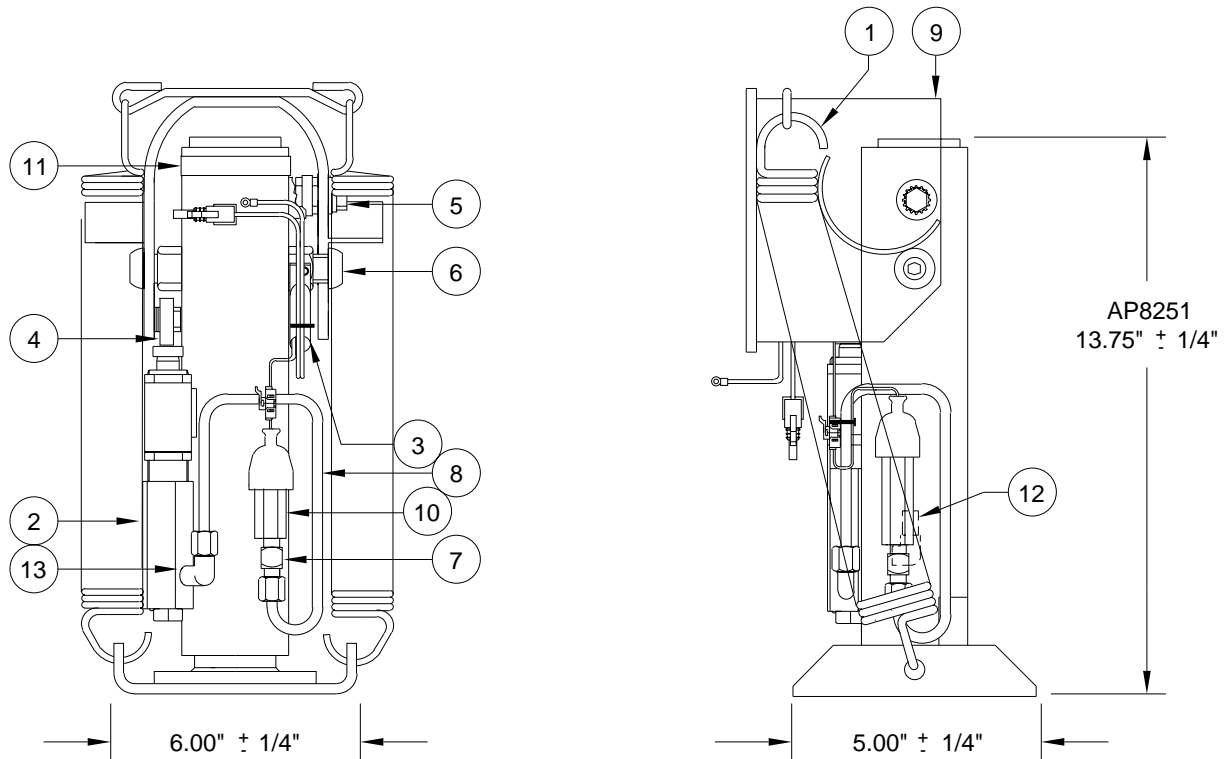
ITEM	PART	QTY	DESCRIPTION	ITEM	PART	QTY	DESCRIPTION
	RAP8125		JACK 9,000 # KICK DOWN LOW PROFILE (REPLACES AP8125)	5	R2956	1	HEX STOP KIT
1	R1171	1	SPRING KIT 1-5/8" X 12"			1	BUMPER
		1	SPRING ROD			1	HEX STOP
		2	SPRING 1-5/8" X 12"			1	FSHCS 3/8-16 X 1"
2	RAP0547	1	ACTUATOR KIT (REPLACES RAP7028) (INCLUDES ITEMS 12,13)	6	R1280	1	PIVOT BOLT KIT
		2	SPANNER NUT 1-14			2	BHCS 5/8-11 X 1"
3	RAP90072	1	WARNING SWITCH KIT (REPLACES RAP8072)			2	BUSHING .75" OD
		1	SWITCH WARNING 3-WIRE	7	RF0734	1	T-FITTING SPEC.
		1	PHRDHD #10-24 X 3/8"	8	RAP0711	1	TUBE ASSEMBLY SHORT (FOR AP8125) (REPLACES RAP5653)
		1	LW. #10 EXT. STAR	9	RAP5520	1	PIVOT BRACKET (INCLUDES ITEMS 4,5)
4	R2527	1	ROLLER KIT	10	RAP8003	1	SWITCH PRESSURE
		1	BEARING 1.125" DIA.	11	RP2508	1	BAND CLAMP/GROUND
		1	ROLLER FASTENER	12	RF1453	1	ELBOW
		3	LW. 3/8" EXT. STAR	13	RF1511	1	ELBOW LONG

NOTE : WHEN REPLACING A WARNING SWITCH ON EARLIER MODELS, ITEM NUMBER 11 IS REQUIRED TO MOUNT SWITCH ON CYLINDER BARREL ASSEMBLY.

NOTE : INDENTED ITEMS ARE INCLUDED WITH PRECEDING ITEM.

MR24.3500
08APR20

AP8251 - KICK DOWN JACK, STANDARD PROFILE
9,000 # CAPACITY; 2.000" ROD DIAMETER
SINGLE HOSE CONNECTION, PRESSURE SWITCH AND 3-WIRE WARNING SWITCH



THESE JACKS ARE USED WITH EARLY 610 SERIES LEVELING SYSTEMS.

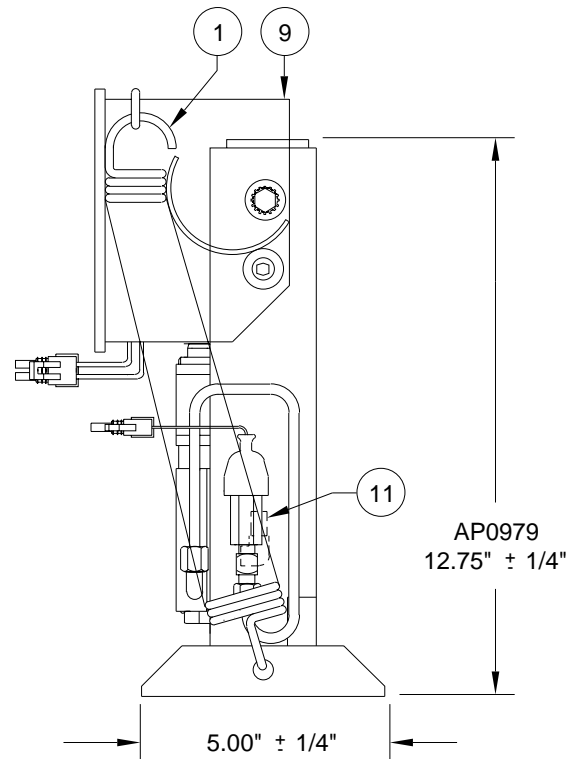
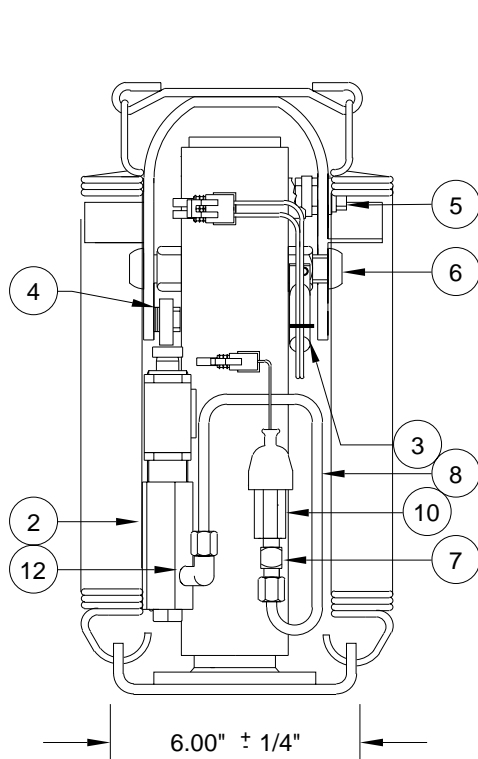
ITEM	PART	QTY	DESCRIPTION	ITEM	PART	QTY	DESCRIPTION
	RAP8251		JACK 9,000 # KICK DOWN STANDARD PROFILE (REPLACES AP8251)	5	R2956	1	HEX STOP KIT
1	R1171	1	SPRING KIT 1-5/8" X 12"			1	BUMPER
		1	SPRING ROD			1	HEX STOP
		2	SPRING 1-5/8" X 12"			1	FSHCS 3/8-16 X 1"
2	RAP0547	1	ACTUATOR KIT (REPLACES RAP7028) (INCLUDES ITEMS 12,13)	6	R1280	1	PIVOT BOLT KIT
		2	SPANNER NUT 1-14			2	BHCS 5/8-11 X 1"
3	RAP90072	1	WARNING SWITCH KIT (REPLACES RAP8072)			2	BUSHING .75" OD
		1	SWITCH WARNING 3-WIRE	7	RF0734	1	T-FITTING SPEC.
		1	PHRDHD #10-24 X 3/8"	8	RAP0733		TUBE ASSEMBLY TALL (FOR AP8251) (REPLACES RAP5652)
		1	LW. #10 EXT. STAR	9	RAP5520	1	PIVOT BRACKET (INCLUDES ITEMS 4,5)
4	R2527	1	ROLLER KIT	10	RAP8003	1	SWITCH PRESSURE
		1	BEARING 1.125" DIA.	11	RP2508	1	BAND CLAMP/GROUND
		1	ROLLER FASTENER	12	RF1453	1	ELBOW
		3	LW. 3/8" EXT. STAR	13	RF1511	1	ELBOW LONG

NOTE : WHEN REPLACING A WARNING SWITCH ON EARLIER MODELS, ITEM NUMBER 11 IS REQUIRED TO MOUNT SWITCH ON CYLINDER BARREL ASSEMBLY.

NOTE : INDENTED ITEMS ARE INCLUDED WITH PRECEDING ITEM.

MR24.3500A
08APR20

AP0979 - KICK DOWN JACK, LOW PROFILE
9,000 # CAPACITY; 2.000" ROD DIAMETER
SINGLE HOSE CONNECTION, PRESSURE SWITCH AND 2-WIRE WARNING SWITCH



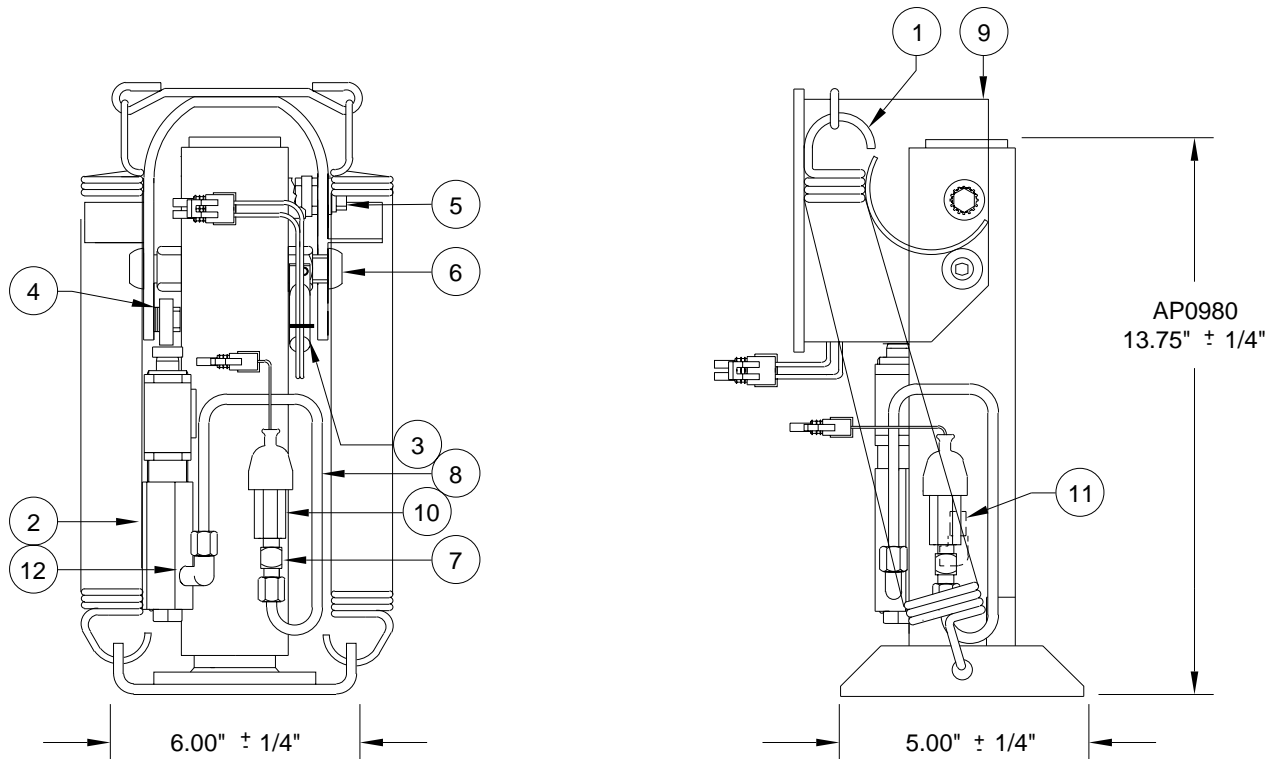
THESE JACKS ARE USED WITH THE CENTRAL GROUND 610 SERIES LEVELING SYSTEM.

ITEM	PART	QTY	DESCRIPTION	ITEM	PART	QTY	DESCRIPTION
	RAP0979		JACK 9,000 # KICK DOWN LOW PROFILE (REPLACES AP0979)	5	R2956	1	HEX STOP KIT
						1	BUMPER
						1	HEX STOP
						1	FSHCS 3/8-16 X 1"
1	R1171	1	SPRING KIT 1-5/8" X 12"	6	R1280	1	PIVOT BOLT KIT
		1	SPRING ROD			2	BHCS 5/8-11 X 1"
		2	SPRING 1-5/8" X 12"			2	BUSHING .75" OD
2	RAP0547	1	ACTUATOR KIT (FOR USE ON ALL ABOVE JACKS)	7	RF0734	1	T-FITTING SPECIAL
		2	(INCLUDES ITEMS 11,12) SPANNER NUT 1-14	8	RAP0711	1	TUBE ASSEMBLY SHORT (FOR AP0979)
3	RAP1010	1	WARNING SWITCH KIT	9	RAP5520	1	PIVOT BRACKET (INCLUDES ITEMS 4,5)
		1	SWITCH WARNING 2-WIRE				
		1	PHRDHD #10-24 X 3/8"	10	RAP8003	1	SWITCH PRESSURE
		1	LW. #10 EXT. STAR	11	RF1453	1	ELBOW
4	R2527	1	ROLLER KIT	12	RF1511	1	ELBOW LONG
		1	BEARING 1.125" DIA.				
		1	ROLLER FASTENER				
		3	LW. 3/8" EXT. STAR				

NOTE: INDENTED ITEMS ARE INCLUDED WITH PRECEDING ITEM.

MR24.3600
08APR20

AP0980 - KICK DOWN JACK, STANDARD PROFILE
9,000 # CAPACITY; 2.000" ROD DIAMETER
SINGLE HOSE CONNECTION, PRESSURE SWITCH AND 2-WIRE WARNING SWITCH



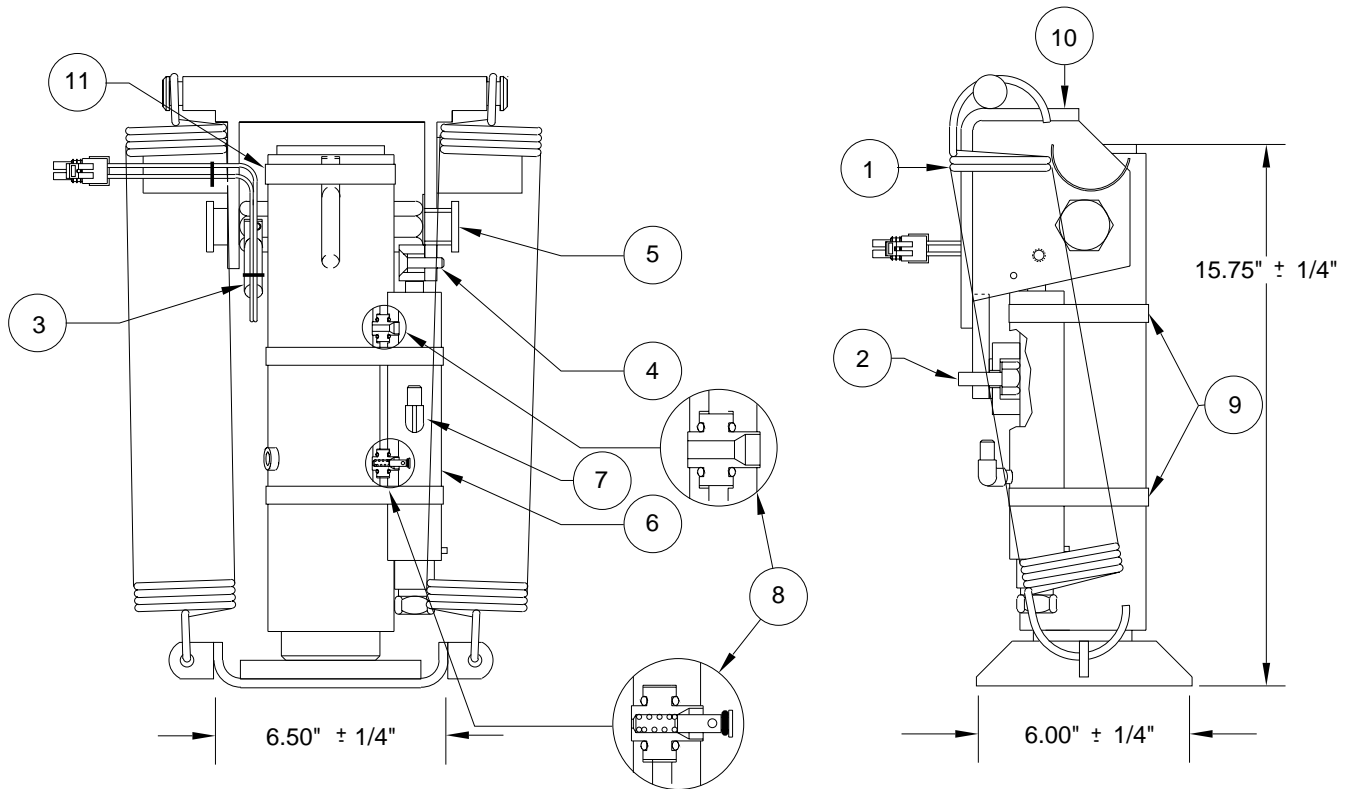
THESE JACKS ARE USED WITH THE CENTRAL GROUND 610 SERIES LEVELING SYSTEM.

ITEM	PART	QTY	DESCRIPTION	ITEM	PART	QTY	DESCRIPTION
	RAP0980		JACK 9,000 # KICK DOWN STANDARD PROFILE (REPLACES AP0980)	5	R2956	1	HEX STOP KIT
						1	BUMPER
						1	HEX STOP
						1	FSHCS 3/8-16 X 1"
1	R1171	1	SPRING KIT 1-5/8" X 12"	6	R1280	1	PIVOT BOLT KIT
		1	SPRING ROD			2	BHCS 5/8-11 X 1"
		2	SPRING 1-5/8" X 12"			2	BUSHING .75" OD
2	RAP0547	1	ACTUATOR KIT (FOR USE ON ALL ABOVE JACKS) (INCLUDES ITEMS 11,12)	7	RF0734	1	T-FITTING SPECIAL
		2	SPANNER NUT 1-14	8	RAP0733	1	TUBE ASSEMBLY TALL (FOR AP0980)
3	RAP1010	1	WARNING SWITCH KIT	9	RAP5520	1	PIVOT BRACKET (INCLUDES ITEMS 4,5)
		1	SWITCH WARNING 2-WIRE				
		1	PHRDHD #10-24 X 3/8"	10	RAP8003	1	SWITCH PRESSURE
		1	LW. #10 EXT. STAR				
4	R2527	1	ROLLER KIT	11	RF1453	1	ELBOW
		1	BEARING 1.125" DIA.				
		1	ROLLER FASTENER	12	RF1511	1	ELBOW LONG
		3	LW. 3/8" EXT. STAR				

NOTE: INDENTED ITEMS ARE INCLUDED WITH PRECEDING ITEM.

MR24.3600A
08APR20

AP2381 - KICK DOWN JACK
16,000 # CAPACITY; 2.75" ROD DIAMETER
SINGLE HOSE CONNECTION FOR MANUALLY CONTROLLED LEVELING SYSTEMS



THIS JACK IS USED WITH 100, 110, 200 AND 310 SERIES LEVELING SYSTEMS.

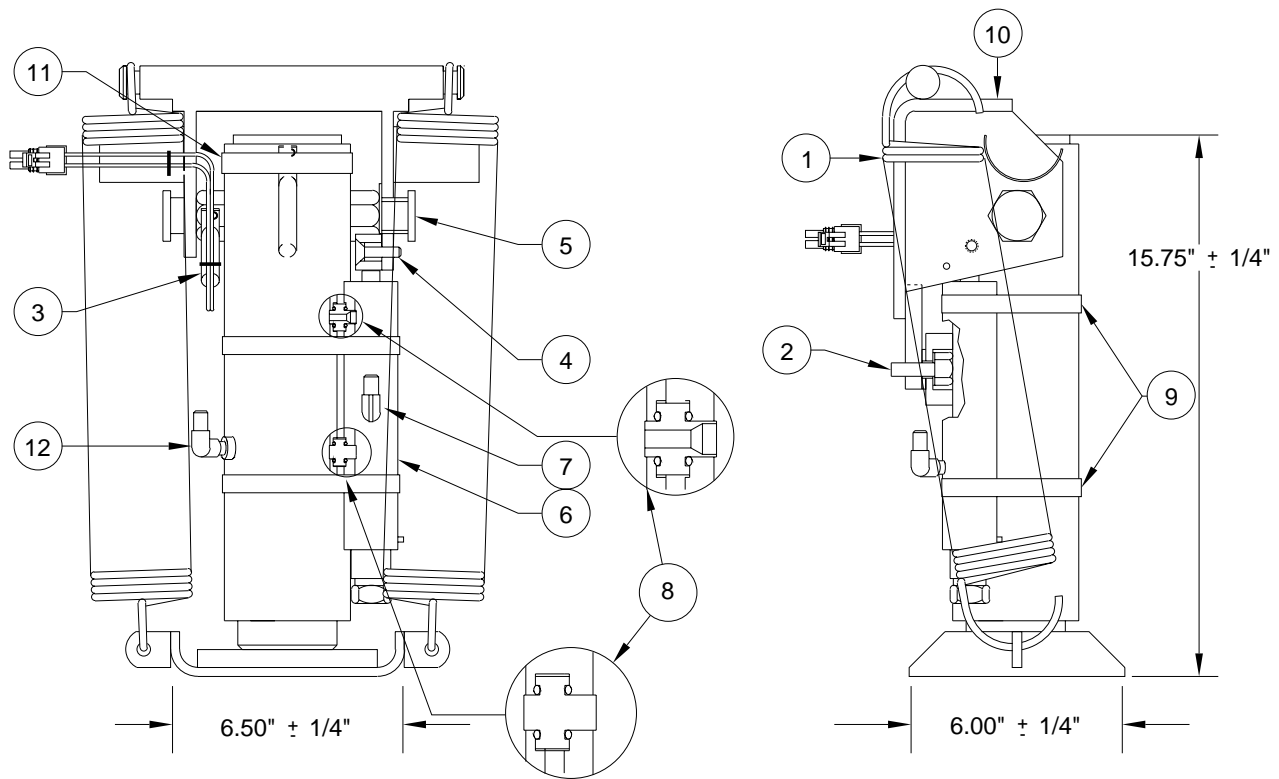
ITEM	PART	QTY	DESCRIPTION	ITEM	PART	QTY	DESCRIPTION
	RAP2381		JACK 16,000 # KICK DOWN (REPLACES AP2381)	5	R2329	1	PIVOT BOLT KIT
1	R2365	1	SPRING KIT 2.75" X 13.50"	2		2	HHCS 7/8" SPECIAL
		2	SPRING 2.75" X 13.50"			2	BUSHING 1-1/8" OD
2	R2511	1	STOP KIT			1	WASHER 7/8" SAE 1-3/4" (USED ON ACTUATOR SIDE ONLY)
		1	BUMPER 2" OD	6	RAP8764	1	ACTUATOR KIT (REPLACES RAP4211) (INCLUDES ITEM 7 AND 8)
		1	HHCS 1/2-13 X 1-1/4"				
		1	WASH 1/2" STRUCTURAL	7	RF1453	1	ELBOW
		1	SPACER 5/8" OD				
		1	WASHER 1/2" FLAT	8	RAP93121	1	CYL PORTS W/ POPPET AND O-RINGS
3	RAP1010	1	WARNING SWITCH KIT (REPLACES RAP2477)				
		1	SWITCH WARNING 2-WIRE	9	RP2383	2	BAND CLAMP/ BOLT
		1	PHRDHD #10-24 X 3/8"				
		1	LW. #10 EXT. STAR	10	RAP5521	1	PIVOT BRACKET
4	R2327	1	ROLLER KIT				
		1	ROLLER 1" OD	11	RP0493	1	BAND CLAMP/GROUND (REPLACES RP2711)
		1	BUSHING 1/2" OD				
		1	CS 3/8-16 X 1-1/4"				

NOTE : WHEN REPLACING A WARNING SWITCH ON EARLIER MODELS, ITEM 11 IS REQUIRED TO MOUNT SWITCH TO CYLINDER BARREL ASSEMBLY.

NOTE : INDENTED ITEMS ARE INCLUDED WITH PRECEDING ITEM..

MR24.5100
02MAR12

AP3677 - KICK DOWN JACK
16,000 # CAPACITY; 2.750" ROD DIAMETER
2 HOSE CONNECTIONS FOR EARLY COMPUTERIZED LEVELING SYSTEMS



THIS JACK IS USED WITH 400 AND 510 SERIES LEVELING SYSTEMS.

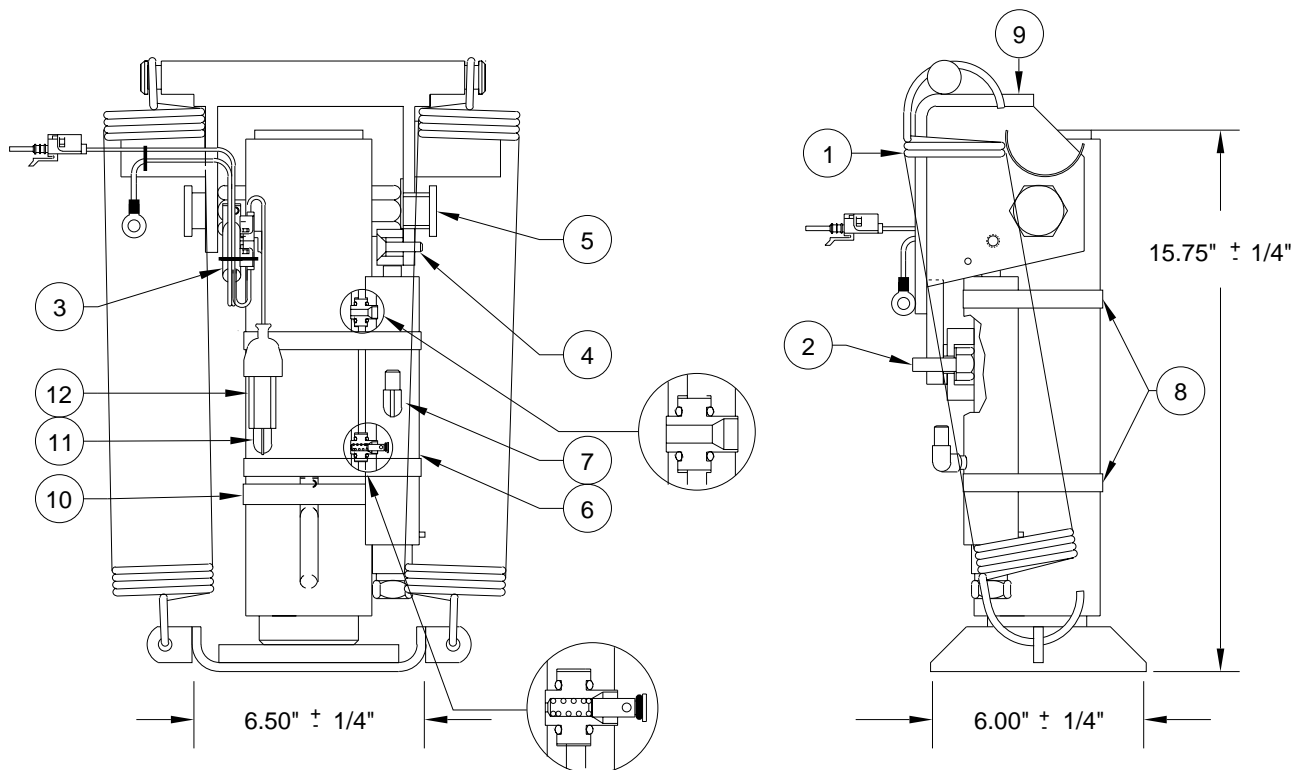
ITEM	PART	QTY	DESCRIPTION	ITEM	PART	QTY	DESCRIPTION
	RAP3677		JACK 16,000 # KICK DOWN (REPLACES AP3677)	5	R2329	1	PIVOT BOLT KIT
1	R2365	1	SPRING KIT 2.75" X 13.50"	2		2	HHCS 7/8" SPECIAL
		2	SPRING 2.75" X 13.50"	2		2	BUSHING 1-1/8" OD
2	R2511	1	STOP KIT	1		1	WASH 7/8" SAE 1-3/4" (USED ON ACTUATOR SIDE ONLY.)
		1	BUMPER 2" OD	6	RAP4210	1	ACTUATOR KIT (INCLUDES ITEM 7 AND 8)
		1	HHCS 1/2-13 X 1-1/4"	7	RAP3799	1	ELBOW
		1	WASH 1/2" STRUCTURAL	8	RAP93121	1	CYL PORTS W/ POPPET AND O-RINGS
		1	SPACER 5/8" OD	9	RP2383	2	BAND CLAMP/BOLT
3	RAP1010	1	WARNING SWITCH KIT (REPLACES RAP2477)	10	RAP5521	1	PIVOT BRACKET
		1	SWITCH WARNING 2-WIRE	11	RP0493	1	BAND CLAMP/GROUND (REPLACES RP2711)
		1	PHRDHD #10-24 X 3/8"	12	RF1453	1	ELBOW
		1	LW. #10 EXT. STAR				
4	R2327	1	ROLLER KIT				
		1	ROLLER 1" OD				
		1	BUSHING 1/2" OD				
		1	CS 3/8-16 X 1-1/4"				

NOTE : WHEN REPLACING A WARNING SWITCH ON EARLIER MODELS, ITEM NUMBER 11 IS REQUIRED TO MOUNT SWITCH TO CYLINDER BARREL ASSEMBLY.

NOTE : INDENTED ITEMS ARE INCLUDED WITH PRECEDING ITEM.

MR24.5200
02MAR12

AP8525 - KICK DOWN JACK
16,000 # CAPACITY; 2.75" ROD DIAMETER
SINGLE HOSE CONNECTION, PRESSURE SWITCH AND 3-WIRE WARNING SWITCH



THIS JACK IS USED WITH EARLY 610 SERIES LEVELING SYSTEMS.

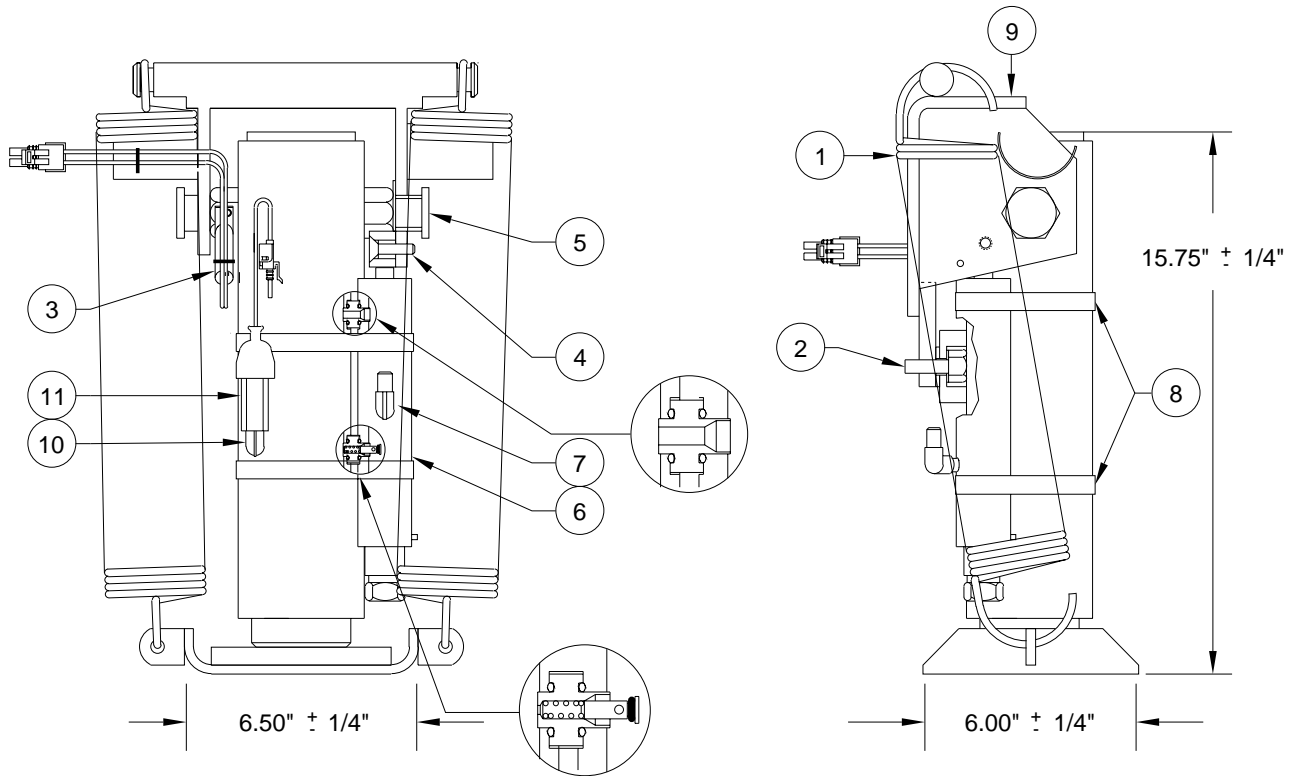
ITEM	PART	QTY	DESCRIPTION	ITEM	PART	QTY	DESCRIPTION
	RAP8525		JACK 16,000 # KICK DOWN (REPLACES AP8525)			2	HHCS 7/8" SPECIAL BUSHING 1-1/8" OD
1	R2365	1	SPRING KIT 2.75" X 13.50"			2	WASH 7/8" SAE 1-3/4" (USED ON ACTUATOR SIDE ONLY)
		2	SPRING 2.75" X 13.50"	6	RAP8764	1	ACTUATOR KIT (INCLUDES ITEM 7)
2	R2511	1	STOP KIT			2	CYLINDER PORT OPEN
		1	BUMPER 2" OD			4	O-RING
		1	HHCS 1/2-13 X 1-1/4"			1	POPPET
		1	WASH 1/2" STRUCTURAL			1	SPRING
		1	SPACER 5/8" OD			1	O-RING
		1	WASH 1/2" FLAT	7	RF1453	1	ELBOW
3	RAP90072	1	WARNING SWITCH KIT (REPLACES RAP8551)	8	RP2383	2	BAND CLAMP/BOLT
		1	SWITCH WARNING 3-WIRE	9	RAP5521	1	PIVOT BRACKET
		1	PHRDHD #10-24 X 3/8"	10	RP0493	1	BAND CLAMP/GROUND (REPLACES RP2711)
		1	LW. #10 EXT. STAR	11	RF8143	1	ELBOW
4	R2327	1	ROLLER KIT	12	RAP8003	1	SWITCH PRESSURE
		1	ROLLER 1" OD				
		1	BUSHING 1/2" OD				
		1	CS 3/8-16 X 1-1/4"				
5	R2329	1	PIVOT BOLT KIT				

NOTE : WHEN REPLACING WARNING SWITCH ON EARLIER MODELS, ITEM NUMBER 10 IS REQUIRED TO MOUNT SWITCH TO CYLINDER BARREL ASSEMBLY.

NOTE : INDENTED ITEMS ARE INCLUDED WITH PRECEDING ITEM.

MR24.5300
16APR08

AP1183 - KICK DOWN JACK
16,000 # CAPACITY; 2.75" ROD DIAMETER
SINGLE HOSE CONNECTION, PRESSURE SWITCH AND 2-WIRE WARNING SWITCH



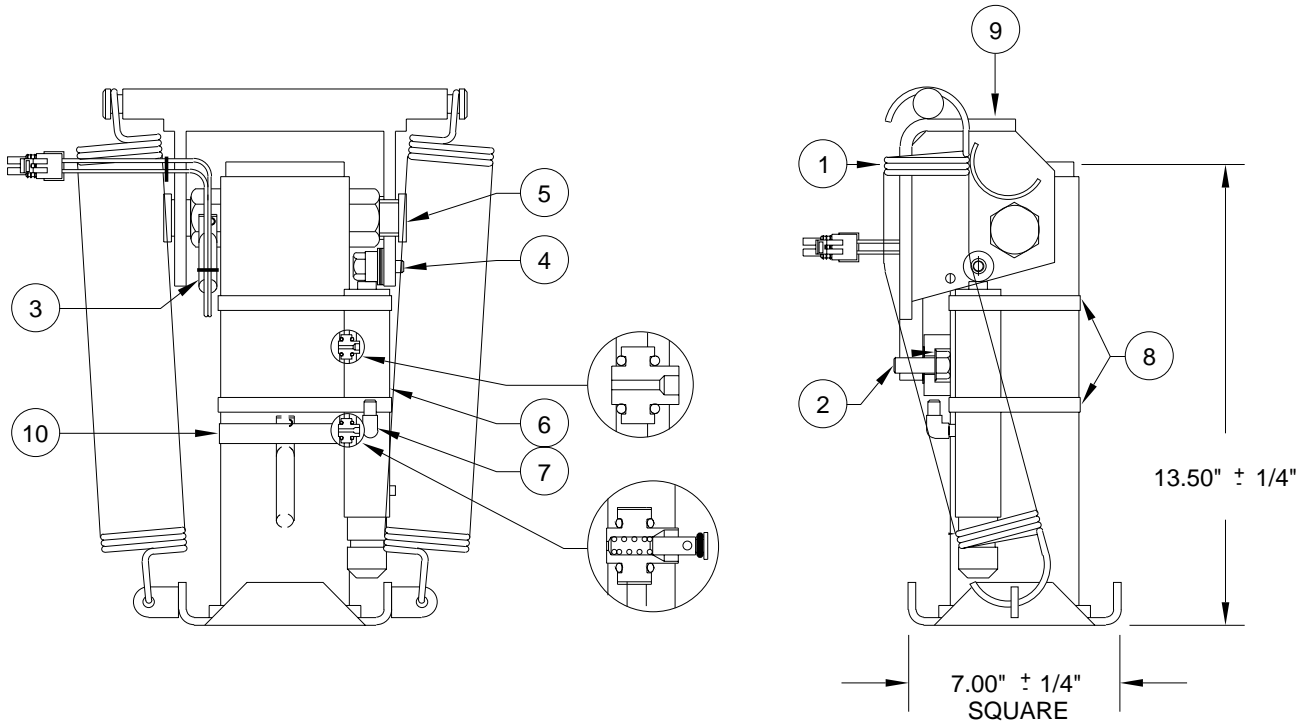
THIS JACK IS USED WITH CENTRAL GROUND 610 SERIES LEVELING SYSTEMS.

ITEM	PART	QTY	DESCRIPTION	ITEM	PART	QTY	DESCRIPTION
	RAP1183		JACK 16,000 # KICK DOWN (REPLACES AP1183)	5	R2329	1	PIVOT BOLT KIT
1	R2365	1	SPRING KIT 2.75" X 13.50"	2		2	HHCS 7/8" SPECIAL
		2	SPRING 2.75" X 13.50"			2	BUSHING 1-1/8" OD
2	R2511	1	STOP KIT			1	WASH 7/8" SAE 1-3/4" (USED ON ACTUATOR SIDE ONLY.)
		1	BUMPER 2" OD	6	RAP8764	1	ACTUATOR KIT
		1	HHCS 1/2-13 X 1-1/4"			1	(INCLUDES ITEM 7)
		1	WASH 1/2" STRUCTURAL			2	CYLINDER PORT OPEN
		1	SPACER 5/8" OD			4	O-RING
		1	WASH 1/2" FLAT			1	POPPET
3	RAP1010	1	WARNING SWITCH KIT			1	SPRING
		1	SWITCH WARNING 2-WIRE			1	O-RING
		1	PHRDHD #10-24 X 3/8"	7	RF1453	1	ELBOW
		1	LW. #10 EXT. STAR	8	RP2383	2	BAND CLAMP/BOLT
4	R2327	1	ROLLER KIT	9	RAP5521	1	PIVOT BRACKET
		1	ROLLER 1" OD	10	RF8143	1	ELBOW
		1	BUSHING 1/2" OD	11	RAP8003	1	SWITCH PRESSURE
		1	CS 3/8-16 X 1-1/4"				

NOTE: INDENTED ITEMS ARE INCLUDED WITH PRECEDING ITEM.

MR24.5400
12AUG96

AP3000 - KICK DOWN JACK
24,000 # CAPACITY; 3.500" ROD DIAMETER
SINGLE HOSE CONNECTION FOR MANUALLY CONTROLLED LEVELING SYSTEMS



THIS JACK IS USED WITH 100, 110, 200 AND 310 SERIES LEVELING SYSTEMS.

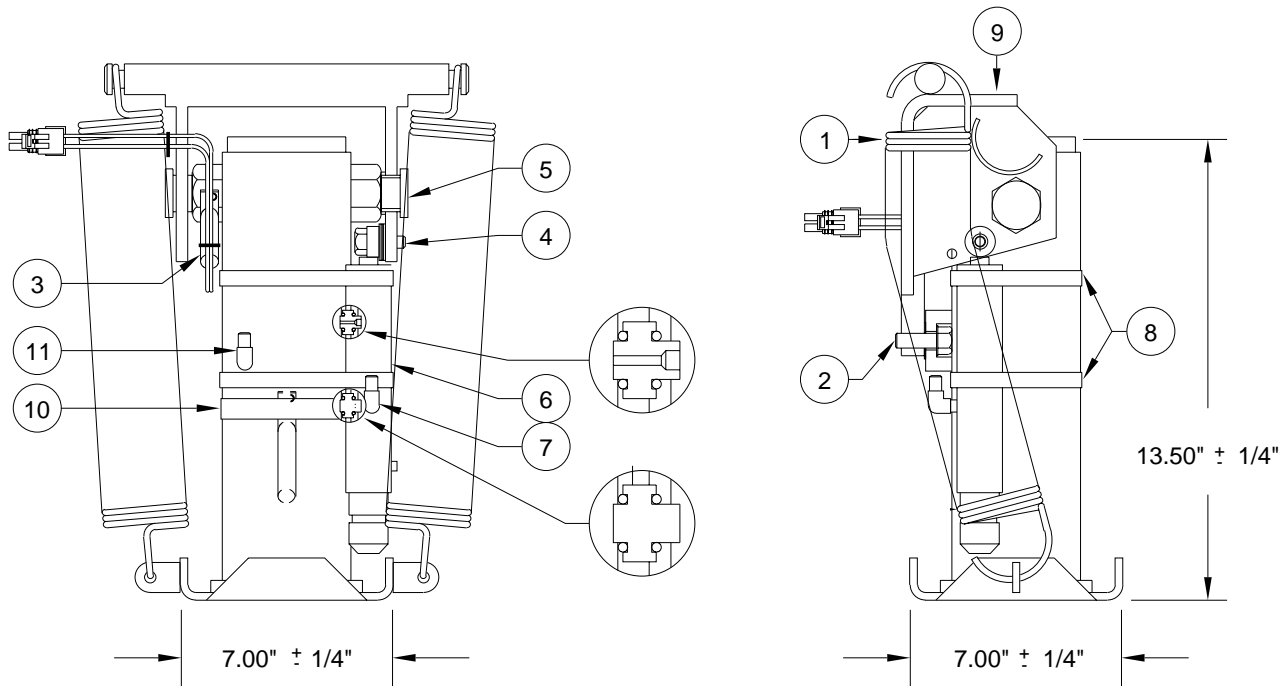
ITEM	PART	QTY	DESCRIPTION	ITEM	PART	QTY	DESCRIPTION
	RAP3000		JACK 24,000 # KICK DOWN (REPLACES AP3000)	5	R3003	1	PIVOT BOLT KIT
1	R2365	1	SPRING KIT 2.75" X 13.50"			2	HHCS 1" X 1-1/2" SPECIAL
		2	SPRING 2.75" X 13.50"			2	BUSHING
2	R2511	1	STOP KIT 2"	6	RAP90261	1	ACTUATOR KIT (INCLUDES ITEM 7)
		1	BUMPER 2" OD			2	CYLINDER PORT OPEN
		1	HHCS 1/2-13 X 1-1/4"			4	O-RING
		1	WASH 1/2" STRUCTURAL			1	POPPET
		1	SPACER 5/8" OD			1	SPRING
		1	WASH 1/2" FLAT			1	O-RING
3	RAP1010	1	WARNING SWITCH KIT (REPLACES RAP2477)	7	RF3799	1	ELBOW RESTRICTOR LONG
		1	SWITCH WARNING 2-WIRE	8	RP2383	2	BAND CLAMP/BOLT
		1	PHRDHD #10-24 X 3/8"	9	RAP2993	1	PIVOT BRACKET
		1	LW. #10 EXT. STAR	10	RP0493	1	BAND CLAMP/GROUND (REPLACES RP2711)
4	R2527	1	ROLLER KIT				
		1	BEARING 1.125" OD				
		1	ROLLER FASTENER				
		3	LW. 3/8" EXT. STAR				

NOTE : WHEN REPLACING A WARNING SWITCH ON EARLIER MODELS, ITEM NUMBER 10 IS REQUIRED TO MOUNT SWITCH TO CYLINDER BARREL ASSEMBLY.

NOTE : INDENTED ITEMS ARE INCLUDED WITH PRECEDING ITEM.

MR24.7100
12AUG96

AP4390 - KICK DOWN JACK
24,000 # CAPACITY; 3.500" ROD DIAMETER
2 HOSE CONNECTIONS FOR EARLY COMPUTERIZED LEVELING SYSTEMS



THIS JACK IS USED WITH 400 AND 510 SERIES LEVELING SYSTEMS.

ITEM	PART	QTY	DESCRIPTION	ITEM	PART	QTY	DESCRIPTION
	RAP90263		JACK 24,000 # KICK DOWN (REPLACES AP4390)	5	R3003	1	PIVOT BOLT KIT
1	R2365	1	SPRING KIT 2.75" X 13.50"			2	HHCS 1" X 1-1/2" SPECIAL BUSHING
		2	SPRING 2.75" X 13.50"			2	WASH 1/2" FLAT (USED ON ACTUATOR SIDE ONLY)
2	R2511	1	STOP KIT	6	RAP90262	1	ACTUATOR KIT (INCLUDES ITEM 7)
		1	BUMPER 2" OD			1	CYLINDER PORT OPEN
		1	HHCS 1/2-13 X 1-1/4"			4	O-RING
		1	WASH 1/2" STRUCTURAL			1	CYLINDER PORT CLOSED
		1	SPACER 5/8" OD	7	RF3799	1	ELBOW RESTRICTOR LONG
		1	WASH 1/2" FLAT	8	RP2383	2	BAND CLAMP/BOLT
3	RAP1010	1	WARNING SWITCH KIT (REPLACES RAP2477)	9	RAP2993	1	PIVOT BRACKET
		1	SWITCH WARNING 2-WIRE	10	RP0493	1	BAND CLAMP/GROUND (REPLACES RP2711)
		1	PHRDHD #10-24 X 3/8"	11	RF1453	1	ELBOW
		1	LW. #10 EXT. STAR				
4	R2527	1	ROLLER KIT				
		1	BEARING 1.125" OD				
		1	ROLLER FASTENER				
		3	LW. 3/8" EXT. STAR				

NOTE : WHEN REPLACING WARNING SWITCH ON EARLIER MODELS, ITEM NUMBER 10 IS REQUIRED TO MOUNT SWITCH TO CYLINDER BARREL ASSEMBLY.

NOTE : INDENTED ITEMS ARE INCLUDED WITH PRECEDING ITEM.

MR24.7200
20AUG96